

A Siemens SIMATIC Compact Field Unit (CFU) DIQ Edition is shown. It is a grey, rectangular device with a green Ethernet cable plugged into the left side. The top of the device features a row of 16 orange terminal blocks, each labeled with a number from 0 to 15. The front panel has a label with technical specifications and a barcode. The background is a light blue gradient with faint circuit board patterns.

SIEMENS
Ingenuity for life

SIMATIC Compact Field Unit DIQ Edition

More simplicity and flexibility using discrete I/Os

Are you ready for new ground rules in the field?

Digitalisation has long since reached the process industries. Individual, customized solutions and flexible system and plant extensions play an increasingly important role in this game. SIMATIC Compact Field Unit (CFU) is a real game changer in field device connection and offers entirely new perspectives regarding plant concepts. The CFU is installed at the process level and is connected via PROFINET directly to the process control system to form the foundation for digitalization in the field.

More flexibility through consistent decentralization

Thanks to the decentral installation, classic control cabinets are no longer required, resulting in significant savings for cables and number of terminations. Less planning and documentation efforts translate in cost and time savings. Additionally, the high granularity (16 I/Os per SIMATIC CFU)

enables highly flexible assignment to the higher-level controllers. This is how SIMATIC CFU DIQ is setting new standards in flexibility!

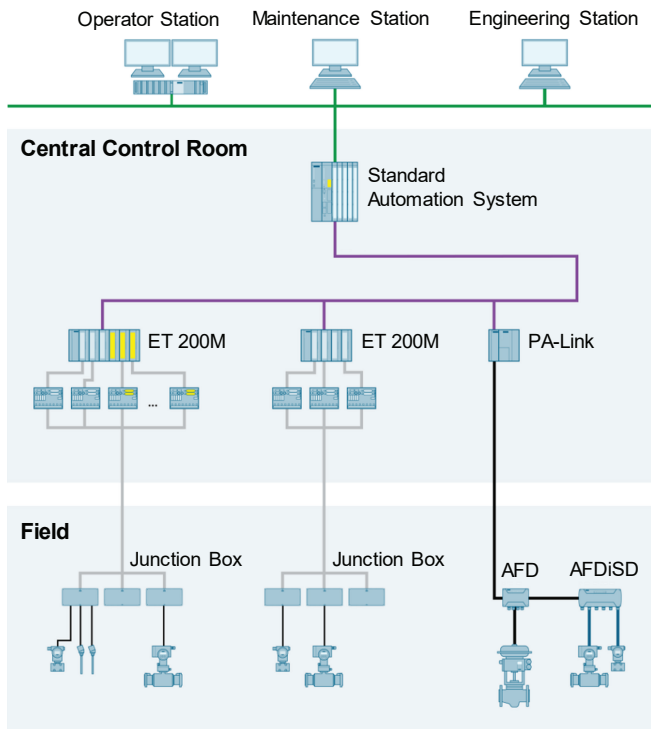
From static to freely configurable I/Os

SIMATIC CFU DIQ Edition fulfills the requirements of the digital transformation for the decentral periphery: 16 freely configurable, digital I/O channels and optional extended functions provide you with even more flexibility and ease of use while ensuring highest availability. For selected digital inputs, the additional operating modes "counter" and "frequency measurement" can be activated. The safety function "actuator shutdown" can be set for digital outputs. This allows you to bring all digital outputs in a safe state when necessary. In that way, you can prevent potentially dangerous situations!

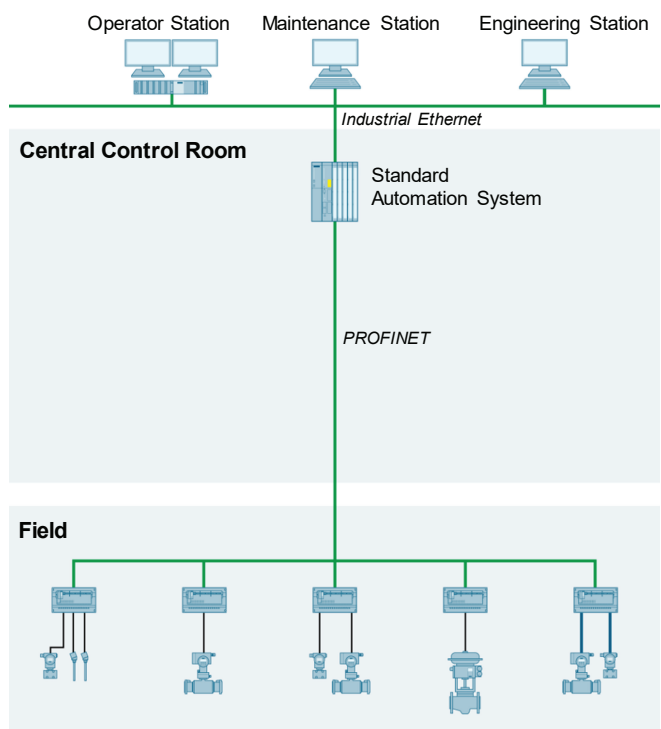
Fit for rugged environments

An extended temperature range of -40 to +70 °C, Conformal Coating of all

components and enhanced interference immunity makes SIMATIC CFU DIQ fit for installation directly in the field. As a bundle with aluminium housing for installation in hazardous areas up to Ex-zone 2-22, SIMATIC CFU DIQ offers a pre-certified standard solution. This does not only save additional approvals but also effort and costs.



Field device connection with previous technology



Field device connection with SIMATIC CFU

Functionalities

SIMATIC CFU DIQ was specifically designed to meet the requirements of the process industry in the Industrie 4.0 environment:

System connection via Industrial Ethernet standard:

- Redundant PROFINET connection (S2) for highest availability
- Flexible connectivity options via PROFINET bus adapters (e.g. electrical, optical or mixed)

Discrete I/Os with extended functionality:

- 16x freely configurable digital inputs/outputs
- Optional counter functionality or frequency measurement
- Actuator shutdown

Ready for the decentral use:

- Installation in hazardous areas up to Ex-zone 2-22
- Extended temperature range from -40 to +70 °C
- Conformal Coating of all components
- For use at altitudes of up to 4000 meters
- Enhanced interference immunity according to NAMUR recommendation NE21
- Customized and standardized aluminum housing (available as bundle with SIMATIC CFU)

Benefits at a glance

- From a central to a decentral I/O approach: Achieve highest flexibility through modularization of your plant!
- From static to freely configurable I/Os: Benefit from highly comfortable software-wiring!
- From specific to standardized solutions: Gain full cost control over the whole plant lifecycle!
- From time consuming to time saving: Less installation effort! Easy planning and documentation!
- From meticulous planning to flexible scalability: Flexible plant extension without maintaining reserves!

Siemens AG

Digital Industries
Process Automation
Oestliche Rheinbrueckenstrasse 50
76187 Karlsruhe, Germany

Subject to change without prior notice
Article No. DIPA-B10091-00-7600
Printed in Germany
© Siemens 2019