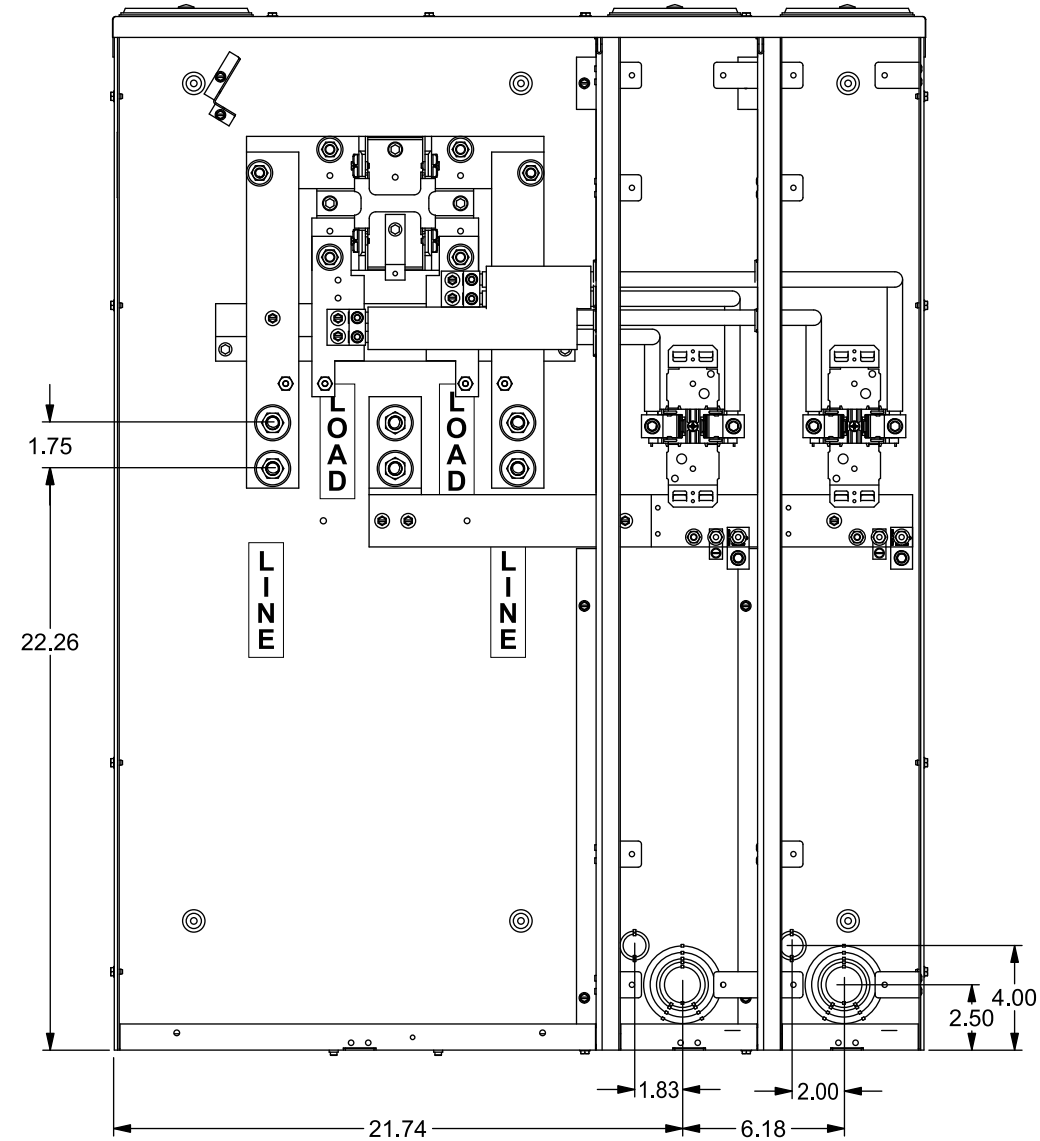
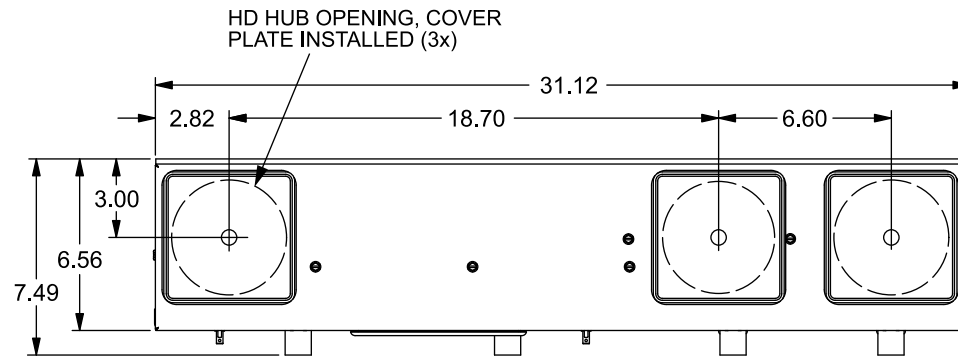
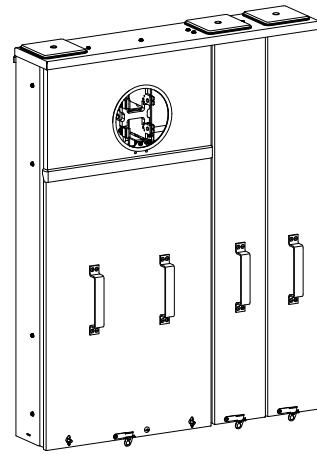


Catalog Number: MK0402L1400SCS

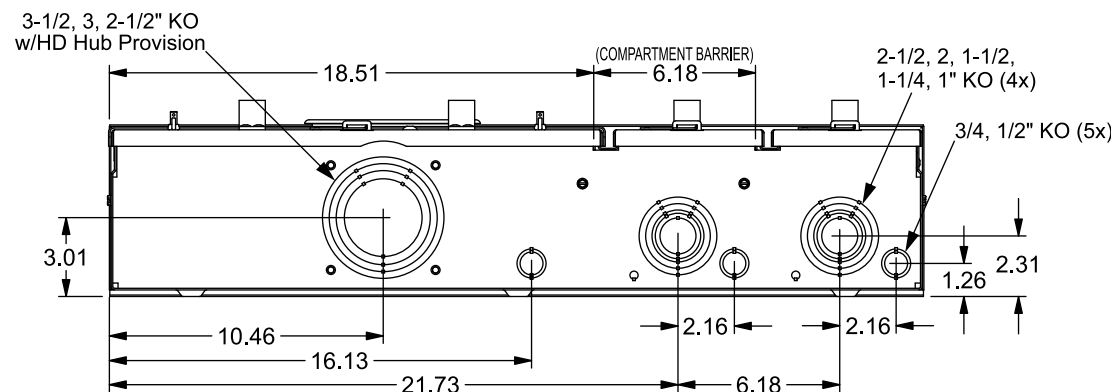
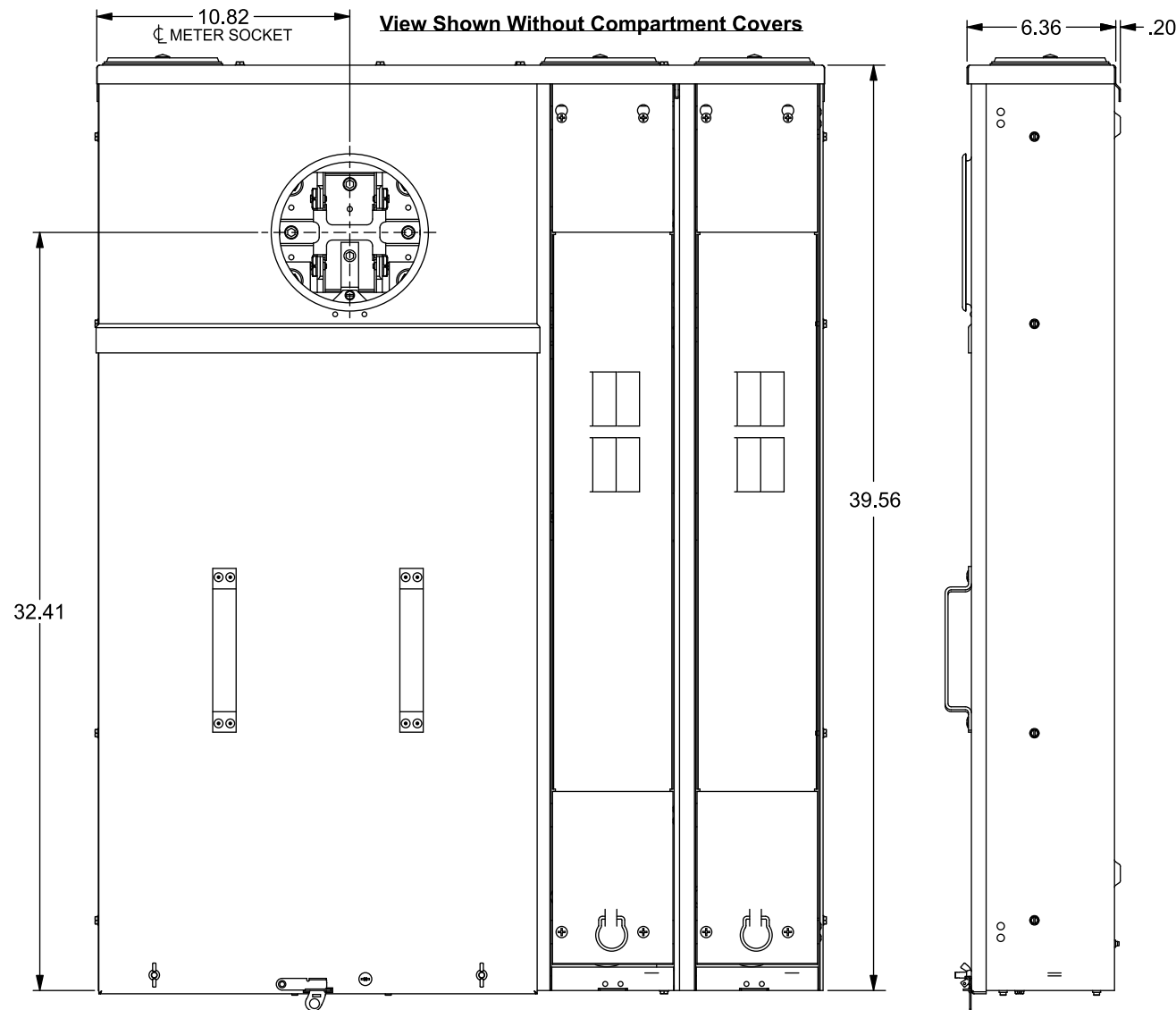
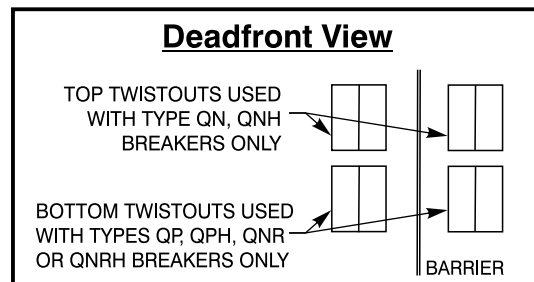
Features and Ratings



- Outdoor Enclosure (Type 3R)
- 400A Max, 1 Phase, 3 Wire, 120/240V~
- 22,000 AIC Max. Rated (See Wiring Diagram for Details)
- Meter Socket Rating: 320A Continuous, 400A Max.
- Ring Type Meter Cover
- Manual Bypass
- For Overhead or Underground Service
- (2) Service Disconnects in Separate Compartments
- Surface Mounting
- Uses HD Type Hubs
- Complies with EUSERC Dwg. No. 302A



View Shown Without Covers and Deadfront



Accessories

If hub is required, use Type HD catalog numbers listed below:

Trade size (in)	Catalog No.
2"	EC56854
2 1/2"	EC56855
3"	EC56856
3 1/2"	EC56857
4"	EC56858
Closure Plate	EC56933S

Filler Plate	QF3 or ECQF3
200A Main Breaker	QN2200H / QN2200RH
150A Main Breaker	QN2150H / QN2150RH
Lug #6-350 kcmil	SUK350TA
Lug #2-600 kcmil	SUK600TA
Lug 500-1000 kcmil	SUK1000TA
Flush Rail Kit	ECFRK2
Ground Bar (5 pos)	ECGB5
Lug, 2/0 AWG (G2)	ECLK2N
Lug, 300kcmil (G2)	ECLK3N

Torques & Wire Sizes

Load, Neutral and Ground Terminals

Terminal	Wire Size	Torque
A, B, N		
SUK350TA	(2) #6-350 kcmil	275 lb-in
SUK600TA	#2-600 kcmil	375 lb-in
SUK1000TA	500-1000 kcmil	500 lb-in
N1	300 kcmil - #4	250 lb-in
G1	#2 - #14	50 lb-in
G2	ECLK2N	2/0 - 4 AWG 110 lb-in
	ECLK3N	300kcmil-4 AWG 250 lb-in
Branch Breaker Terminals	See Markings on Breaker	

Equipment Ground Bar

Terminal Size	Wire Size	Torque
	(1, 2 or 3) #14 CU	20 lb-in
#4-#14 (ECGB5)	(1 or 2) #10-12 AL/CU	20 lb-in
	#8 AL/CU	25 lb-in
	#6 - 4 AL/CU	35 lb-in

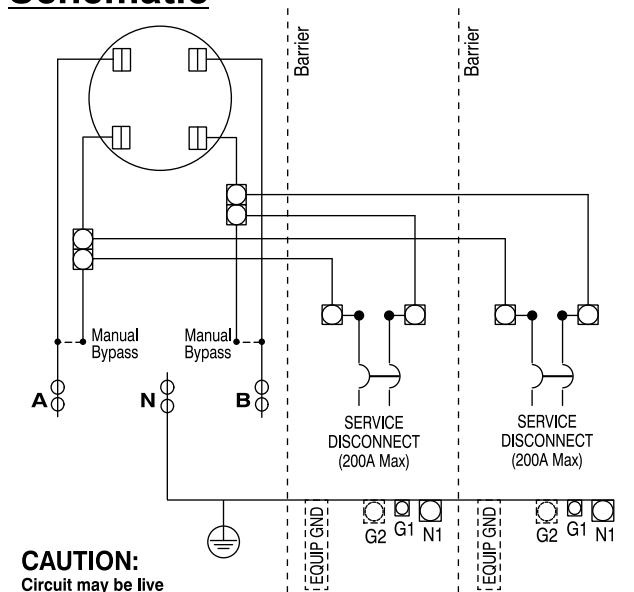
Line Terminals:

Provisions for UL listed NEMA mounting terminals. Compression terminals to #750 kcmil, single conductor, ILSCO type 2ACL. See lug manufacturer's instruction sheet supplied with the connector for tool, die, and number of crimps

Tightening Torques:

5/16" Nuts(1/2" Drive)...130-140 in-lbs
3/8" Nuts(9/16" Drive)...240-260 in-lbs
1/2" Nuts(3/4" Drive)....490-540 in-lbs

Schematic



CAUTION:
Circuit may be live with meter removed.

© 2021 Copyright Siemens Industry, Inc.

SIEMENS
Siemens Industry, Inc.

Meter Main

Description: **400A Max, Outdoor, Ring Type, OH/UG, Manual Bypass, 2-SD Compartments, Surf. Mount**

KAM 4/14/21 Fam . DO NOT SCALE DRAWING Dwg. No. **MK0402L1400SCS**