

## Overview



SITRANS WF100 flowmeter is a low to medium capacity flowmeter for various product sizes, densities, and fluidities in restricted spaces.

## Benefits

- Flowrates from 3 to 200 t/h (4 to 220 STPH)
- Continuous monitoring of the material flow without interrupting the process
- Dust-tight construction: suitable for use in hazardous areas and in washdown applications that require frequent cleaning
- Minimal maintenance or recalibration after the initial installation and material tests

## Application

WF100 is unaffected by corrosive, abrasive, or hot materials. Handling various product sizes, densities, and fluidities including fine powders such as sugar, the WF100 helps to improve final product, increase operating efficiency, and realize significant cost savings.

Dry bulk solids enter the flow guide producing a mechanical deflection as they strike the flowmeter sensing plate before continuing through the process un-hindered. The WF100 converts the deflection into an electrical signal that feeds into an accompanying integrator, which instantaneously displays the flow rate and totalizes the weight.

- Key applications: cement, wood chips, cereals, seeds, grains, soybean and rice hulls, unshelled peanuts, starch, sugar, potato flakes, grain tailings and screenings, and plastic pellets

# Solid Flowmeters

## LVDT flowmeters

### SITRANS WF100

#### Selection and ordering data

##### SITRANS WF100 Solids flowmeter

Impact solids flowmeter for low to medium capacity applications. Accuracy is  $\pm 1\%$  or better, with capacity up to 200 t/h (220 STPH).

➤ Click on the Article No. for the online configuration in the PIA Life Cycle Portal.

##### Flowguide size (Universal flat-faced flange fits ASME/DIN flanges)

4 inch (100 mm)  
Available with fabrication options A ... E and sensing plate options 10 ... 15 only

6 inch (150 mm)  
Available with fabrication options F ... K and sensing plate options 20 ... 25 only

8 inch (200 mm)  
Available with fabrication options L ... Q and sensing plate options 30 ... 35 only

10 inch (250 mm)  
Available with fabrication options R ... V and sensing plate options 40 ... 45 only

##### Fabrication

Mild steel, painted 4 inch (100 mm) flowguide

AISI 304 stainless steel 4 inch (100 mm) flowguide

AISI 304 stainless steel with PTFE coated infeed 4 inch (100 mm) flowguide

AISI 316 stainless steel 4 inch (100 mm) flowguide

AISI 316 stainless steel with PTFE coated infeed 4 inch (100 mm) flowguide

Mild steel, painted 6 inch (150 mm) flowguide

AISI 304 stainless steel 6 inch (150 mm) flowguide

AISI 304 stainless steel with PTFE coated infeed 6 inch (150 mm) flowguide

AISI 316 stainless steel 6 inch (150 mm) flowguide

AISI 316 stainless steel with PTFE coated infeed 6 inch (150 mm) flowguide

Mild steel, painted 8 inch (200 mm) flowguide

AISI 304 stainless steel 8 inch (200 mm) flowguide

AISI 304 stainless steel with PTFE coated infeed 8 inch (200 mm) flowguide

AISI 316 stainless steel 8 inch (200 mm) flowguide

AISI 316 stainless steel with PTFE coated infeed 8 inch (200 mm) flowguide

Mild steel, painted 10 inch (250 mm) flowguide

AISI 304 stainless steel 10 inch (250 mm) flowguide

AISI 304 stainless steel with PTFE coated infeed 10 inch (250 mm) flowguide

AISI 316 stainless steel 10 inch (250 mm) flowguide

AISI 316 stainless steel with PTFE coated infeed 10 inch (250 mm) flowguide

##### Load cell, stainless steel [17-4 PH (1.4568) construction with 304 (1.4301) stainless steel cover]

2 lb (0.9 kg)

5 lb (2.3 kg)

10 lb (4.5 kg)

20 lb (9.1 kg)

Not specified (Only for quotation purposes, not a valid ordering option)

#### Article No.

7MH7186-

■ ■ ■ ■ ■ - ■ A

1

2

3

4

A

B

C

D

E

F

G

H

J

K

L

M

N

P

Q

R

S

T

U

V

A

B

C

D

X

#### Article No.

7MH7186-

■ ■ ■ ■ ■ - ■ A

##### SITRANS WF100 Solids flowmeter

Impact solids flowmeter for low to medium capacity applications. Accuracy is  $\pm 1\%$  or better, with capacity up to 200 t/h (220 STPH).

##### Sensing plate fabrication

4 inch (100 mm) AISI 304 stainless steel

1 0

4 inch (100 mm) AISI 304 stainless steel with PTFE coating

1 1

4 inch (100 mm) AISI 304 stainless steel with polyurethane coating

1 2

4 inch (100 mm) AISI 316 stainless steel

1 3

4 inch (100 mm) AISI 316 stainless steel with PTFE coating

1 4

4 inch (100 mm) AISI 316 stainless steel with polyurethane coating

1 5

6 inch (150 mm) AISI 304 stainless steel

2 0

6 inch (150 mm) AISI 304 stainless steel with PTFE coating

2 1

6 inch (150 mm) AISI 304 stainless steel with polyurethane coating

2 2

6 inch (150 mm) AISI 316 stainless steel

2 3

6 inch (150 mm) AISI 316 stainless steel with PTFE coating

2 4

6 inch (150 mm) AISI 316 stainless steel with polyurethane coating

2 5

8 inch (200 mm) AISI 304 stainless steel

3 0

8 inch (200 mm) AISI 304 stainless steel with PTFE coating

3 1

8 inch (200 mm) AISI 304 stainless steel with polyurethane coating

3 2

8 inch (200 mm) AISI 316 stainless steel

3 3

8 inch (200 mm) AISI 316 stainless steel with PTFE coating

3 4

8 inch (200 mm) AISI 316 stainless steel with polyurethane coating

3 5

10 inch (250 mm) AISI 304 stainless steel

4 0

10 inch (250 mm) AISI 304 stainless steel with PTFE coating

4 1

10 inch (250 mm) AISI 304 stainless steel with polyurethane coating

4 2

10 inch (250 mm) AISI 316 stainless steel

4 3

10 inch (250 mm) AISI 316 stainless steel with PTFE coating

4 4

10 inch (250 mm) AISI 316 stainless steel with polyurethane coating

4 5

##### Approvals

Standard: CE, RCM, EAC, KCC

0

CSA/FM Class II, Div. 1, Groups E, F, G and Class III, ATEX II 2D, Ex tD A21 IP65 T70 °C, CE, RCM, IECEX, Ex tD A21 IP65 T70 °C, EAC Ex

1

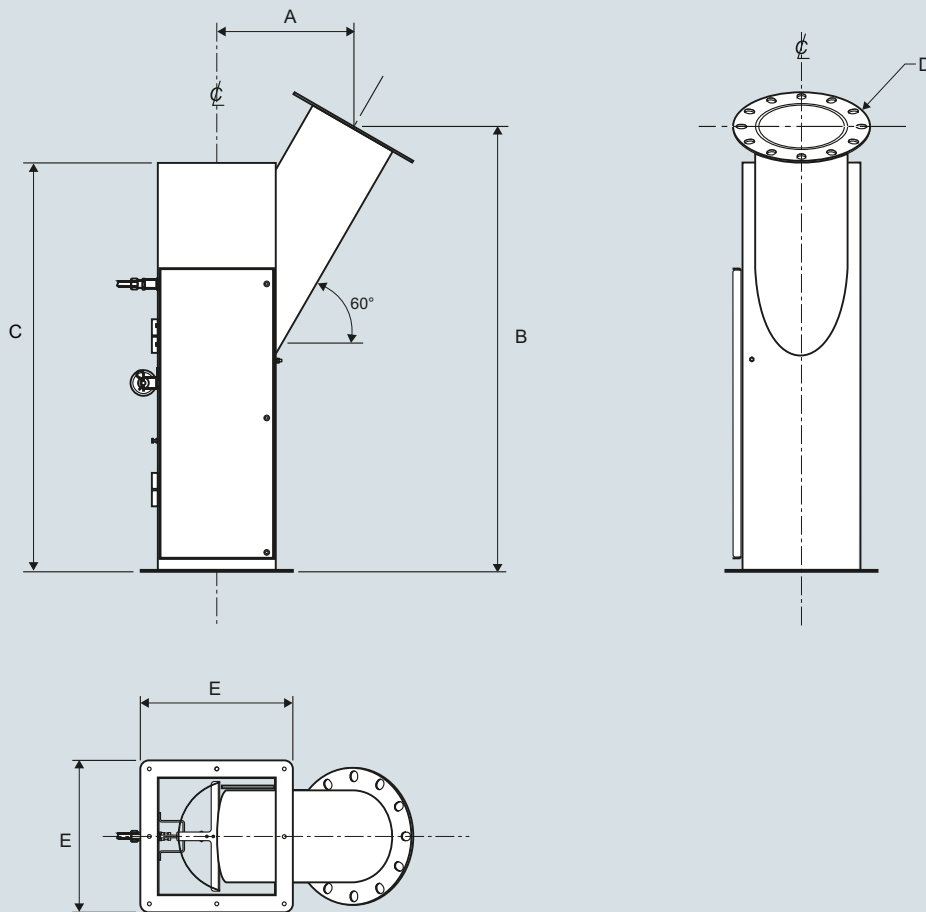
Selection and ordering data	Order Code	Article No.
<b>Further designs</b>		
Please add <b>"-Z"</b> to article no. and specify order code(s).		WF100 10 inch (250 mm) sensing plate 304 PTFE lined <b>7MH7723-1LA</b>
Stainless steel tag [69 x 38 mm (2.7 x 1.5 inch)], Measuring-point number/identification (max 27 characters), specify in plain text.	<b>Y15</b>	WF100 4 inch (100 mm) sensing plate 316 PTFE lined <b>7MH7723-1LB</b>
Application Eng. reference number (max. 15 characters), specify in plain text.	<b>Y31</b>	WF100 6 inch (150 mm) sensing plate 316 PTFE lined <b>7MH7723-1LC</b>
Manufacturer's test certificate: According to EN 10204-2.2	<b>C11</b>	WF100 8 inch (200 mm) sensing plate 316 PTFE lined <b>7MH7723-1LD</b>
Inspection certificate type 3.1 per EN 10204 Not available with fabrication options A, F, L, R	<b>C12</b>	WF100 10 inch (250 mm) sensing plate 316 PTFE lined <b>7MH7723-1LE</b>
<b>Instruction manuals</b>		WF100 4 inch (100 mm) sensing plate 304 polyurethane lined <b>7MH7723-1LF</b>
All literature is available to download for free, in a range of languages, at <a href="https://www.siemens.com/weighing/documentation">https://www.siemens.com/weighing/documentation</a>		WF100 6 inch (150 mm) sensing plate 304 polyurethane lined <b>7MH7723-1LG</b>
<b>Calibration hanger weights</b>	Article No.	WF100 8 inch (200 mm) sensing plate 304 polyurethane lined <b>7MH7723-1LH</b>
20 g (0.04 lb)	<b>7MH7724-1AC</b>	WF100 10 inch (250 mm) sensing plate 304 polyurethane lined <b>7MH7723-1LJ</b>
50 g (0.1 lb)	<b>7MH7724-1AD</b>	WF100 4 inch (100 mm) sensing plate 316 polyurethane lined <b>7MH7723-1LK</b>
100 g (0.2 lb)	<b>7MH7724-1AE</b>	WF100 6 inch (150 mm) sensing plate 316 polyurethane lined <b>7MH7723-1LL</b>
200 g (0.4 lb)	<b>7MH7724-1AF</b>	WF100 8 inch (200 mm) sensing plate 316 polyurethane lined <b>7MH7723-1LM</b>
500 g (1.1 lb)	<b>7MH7724-1AG</b>	WF100 10 inch (250 mm) sensing plate 316 polyurethane lined <b>7MH7723-1LN</b>
1 000 g (2.2 lb)	<b>7MH7724-1AH</b>	WF100 load cell spare 2 lb <b>PBD-23900176</b>
2 000 g (4.4 lb)	<b>7MH7724-1AJ</b>	WF100 load cell spare 5 lb <b>PBD-23900177</b>
5 000 g (11 lb)	<b>7MH7724-1AK</b>	WF100 load cell spare 10 lb <b>PBD-23900244</b>
Note: calibration accessories should be ordered as a separate item on the order.		WF100 load cell spare 20 lb <b>PBD-23900245</b>
<b>Spare parts</b>		WF calibration pulley with hardware and cable spare <b>7MH7723-1LT</b>
WF100 4 inch (100 mm) sensing plate 304 standard	<b>7MH7723-1KN</b>	
WF100 6 inch (150 mm) sensing plate 304 standard	<b>7MH7723-1KP</b>	
WF100 8 inch (200 mm) sensing plate 304 standard	<b>7MH7723-1KQ</b>	
WF100 10 inch (250 mm) sensing plate 304 standard	<b>7MH7723-1KR</b>	
WF100 4 inch (100 mm) sensing plate 316 standard	<b>7MH7723-1KS</b>	
WF100 6 inch (150 mm) sensing plate 316 standard	<b>7MH7723-1KT</b>	
WF100 8 inch (200 mm) sensing plate 316 standard	<b>7MH7723-1KU</b>	
WF100 10 inch (250 mm) sensing plate 316 standard	<b>7MH7723-1KV</b>	
WF100 4 inch (100 mm) sensing plate 304 PTFE lined	<b>7MH7723-1KW</b>	
WF100 6 inch (150 mm) sensing plate 304 PTFE lined	<b>7MH7723-1KX</b>	
WF100 8 inch (200 mm) sensing plate 304 PTFE lined	<b>7MH7723-1KY</b>	

## Solid Flowmeters

### LVDT flowmeters

#### SITRANS WF100

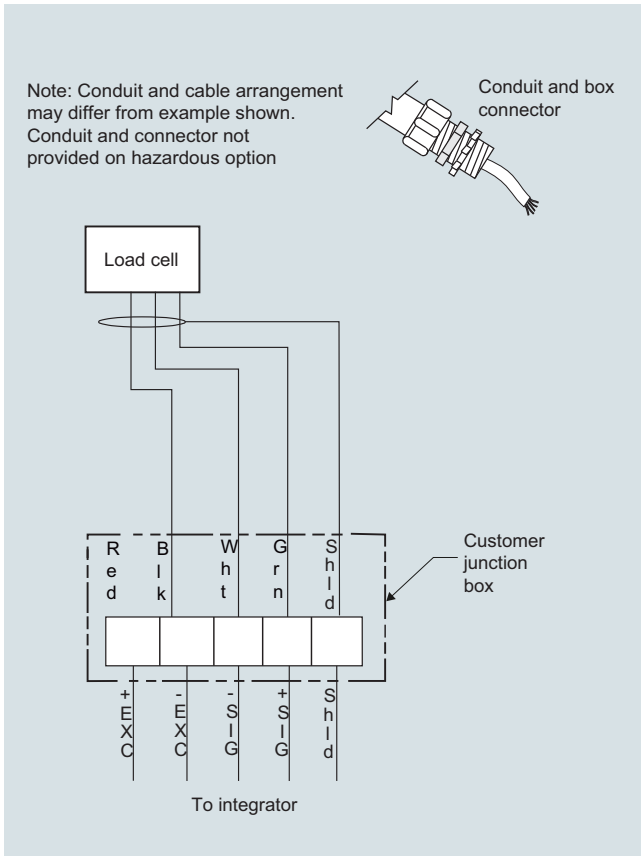
#### Dimensional drawings



	A	B	C	D (flange)	E	F (x 8)
4 inch (100 mm)	8 inch (203.2 mm)	23.5 inch (596.9 mm)	21.87 inch (555.5 mm)	Ø ASME 4 inch DIN 100 mm	11.25 inch (285.8 mm)	Ø 0.43 inch (11 mm)
6 inch (150 mm)	10 inch (254 mm)	33 inch (838.2 mm)	31.12 inch (790.4 mm)	Ø ASME 6 inch DIN 150 mm	13.35 inch (339.1 mm)	Ø 0.43 inch (11 mm)
8 inch (200 mm)	14 inch (355.6 mm)	46 inch (1 168.4 mm)	42.62 inch (1 082.5 mm)	Ø ASME 8 inch DIN 200 mm	16.5 inch (419.1 mm)	Ø 0.43 inch (11 mm)
10 inch (250 mm)	16 inch (406.4 mm)	52 inch (1 320.8 mm)	48.74 inch (1 238.1 mm)	Ø ASME 10 inch DIN 250 mm	19 inch (482.6 mm)	Ø 0.43 inch (11 mm)

SITRANS WF100, dimensions

**Circuit diagrams**



SITRANS WF100 connections