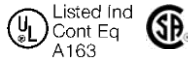


Instructions

January, 2021
Supersedes Issue of
April, 2019



E87010-A0468-T003-A3

Pushbutton & Selector Switch
NEMA 1 Clamshell Enclosure
Class 14, 22, 30, 40, 43, 3RE4, 3RT, 3RA, 3RW, CLM
Cat. No. 49SD*

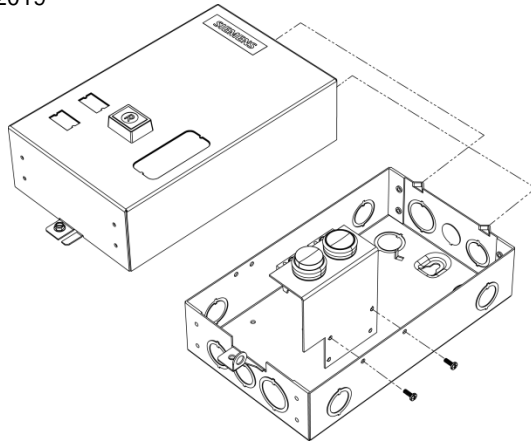


Figure 1

Description

These pilot devices are for use with Siemens starters and contactors mounted in NEMA Type 1 clamshell enclosures. The start-stop pushbutton provides a momentary 3-wire type of control. The selector switches provide a maintained 2-wire type of control. In the AUTO position of the hand-off-auto selector switch, a remote pilot device such as a pressure switch or a thermostat can be wired to give automatic control for the starter or contactor.

| Legend | Pilot Type | Catalog No. | Class |
|---------------|-----------------|-------------|-----------------------------|
| START-STOP | Push Button | 49SDPB5 | 14, 40, 3RT, 3RA, 3RE4, 3RW |
| OFF-ON | Selector Switch | 49SDSB4 | 14, 40, 3RT, 3RA, 3RE4, 3RW |
| HAND-OFF-AUTO | Selector Switch | 49SDSBJ | 14, 40, 3RT, 3RA, 3RE4, 3RW |
| FOR-OFF-REV | Selector Switch | 49SDSBJ | 22, 43, 3RT, 3RA, 3RE4, 3RW |
| HIGH-OFF-LOW | Selector Switch | 49SDSBJ | 30, 3RT, 3RA, 3RE4, 3RW |

Contents of Kit: Pilot device, legend labels, wires, support bracket and mounting screws.

Installation (Figure 1)

1. Remove the enclosure cover from the case.
2. Remove the knockout in the cover.
3. Mount pilot device support bracket assembly with two mounting screws in location **A** (Size 1) or **B** (Size 2 and 3), tighten screws to 25 lb.-in.
4. For pushbutton 3-wire control, make electrical connections per Figure 2.
5. For the 2 and 3 position selector switches, make electrical connections as shown in Figures 3, 4, 5, and 6.
6. Location of auxiliary interlocks may differ from diagrams, therefore, markings on units should be followed.
7. Affix the appropriate legend label onto the cover next to the pilot device.

IMPORTANT
THESE INSTRUCTIONS DO NOT PURPORT TO COVER ALL DETAILS OR VARIATIONS IN EQUIPMENT, NOR TO PROVIDE FOR EVERY POSSIBLE CONTINGENCY TO BE MET IN CONNECTION WITH INSTALLATION, OPERATION OR MAINTENANCE. SHOULD FURTHER INFORMATION BE DESIRED OR SHOULD PARTICULAR PROBLEMS ARISE WHICH ARE NOT COVERED SUFFICIENTLY FOR THE PURCHASER'S PURPOSES, THE MATTER SHOULD BE REFERRED TO THE LOCAL SIEMENS SALES OFFICE.

THE CONTENTS OF THIS INSTRUCTION MANUAL SHALL NOT BECOME PART OF OR MODIFY ANY PRIOR OR EXISTING AGREEMENT, COMMITMENT OR RELATIONSHIP. THE SALES CONTRACT CONTAINS THE ENTIRE OBLIGATION OF SIEMENS. THE WARRANTY CONTAINED IN THE CONTRACT BETWEEN THE PARTIES IS THE SOLE WARRANTY OF SIEMENS. ANY STATEMENTS CONTAINED HEREIN DO NOT CREATE NEW WARRANTIES OR MODIFY THE EXISTING WARRANTY.

⚠ WARNING

Hazardous voltage.
Can cause death, serious personal injury, or property damage.

Disconnect power before working on this equipment.

Wire Terminal Product Designation

- <> - NEMA
- () - Sirius 3R IEC
- [] - Sirius Soft start

