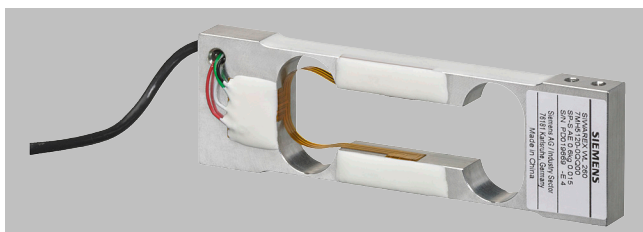


Load Cells

Single point load cells

SIWAREX WL260 SP-S AE Load cell

Overview



The SIWAREX WL260 SP-S AE single point load cell is suitable for the smallest load ranges from 0.3 kg to 3 kg and platform sizes up to 200 mm x 200 mm (7.87 × 7.87 inch). The load cell can be used in high resolution scales. The error amounts to a maximum of 0.015% in relation to the rated characteristic value.

Design

The measurement element is a spring body made of aluminum. Due to IP65 degree of protection, the load cell is suitable for cleaning with water jets.

Selection and ordering data

Load cell of the type WL260 SP-S AE Connecting cable 0.4 m (14.4 inch), accuracy class 0.015 %	Article No. 7MH5120-
	● ● Q 0 0
Click on the Article No. for the online configuration in the PIA Life Cycle Portal.	
Rated load	
• 0.3 kg (0.66 lb)	0 K
• 0.6 kg (1.32 lb)	0 Q
• 1 kg (2.20 lb)	1 A
• 1.2 kg (2.64 lb)	1 B
• 1.5 kg (3.31 lb)	1 E
• 3 kg (6.61 lb)	1 K

Technical specifications

SIWAREX WL260 SP-S AE	
Possible applications	<ul style="list-style-type: none"> • Small platform scales • Small belt scales
Type of construction	Platform load cell
Loads	
Rated load E_{max}	<ul style="list-style-type: none"> • 0.3 kg (0.66 lb) • 0.6 kg (1.32 lb) • 1 kg (2.20 lb) • 1.2 kg (2.64 lb) • 1.5 kg (3.31 lb) • 3 kg (6.61 lb)
Maximum working load L_u	120% E_{max}
Breaking load L_d	300% E_{max}
Safe side load L_{lq}	250% E_{max}
Measurement characteristic values	
Rated displacement h_n at E_{max}	
• $E_{max} = 0.3$ kg (0.66 lb) and 0.6 kg (1.32 lb)	0.25 mm (0.01 inch)
• $E_{max} = 1.2, 3$ kg (2.64 ... 6.61 lb)	0.22 mm (0.009 inch)
Rated characteristic value C_n	0.9 ± 0.1 mV/V
Combined error F_{comb}	± 0.015 % C_n
Repeatability F_v	± 0.017 % C_n
Creep error F_{cr}	

Technical specifications (Continued)

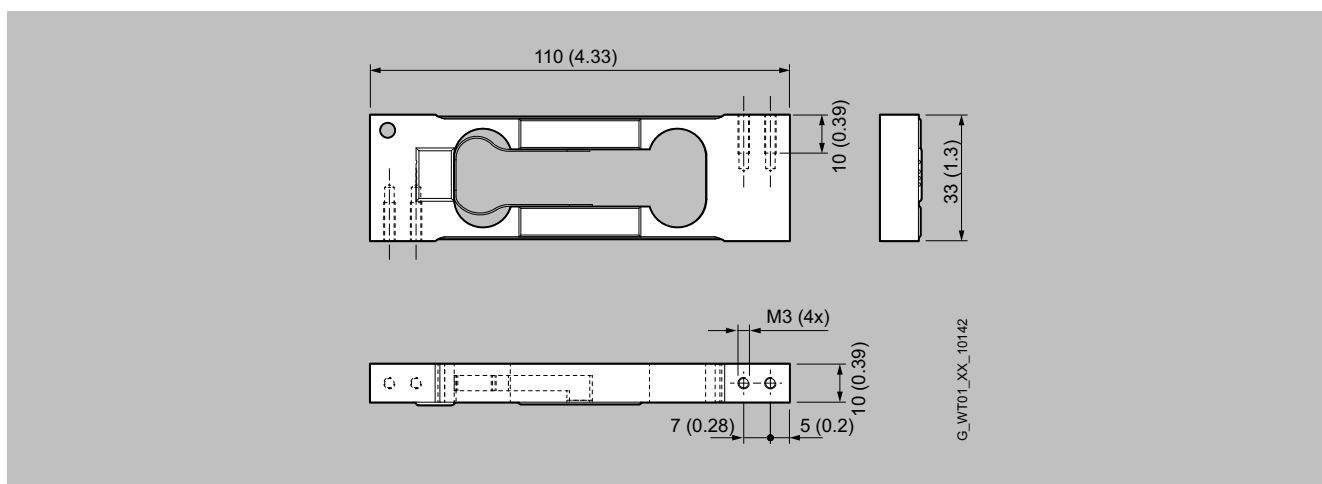
SIWAREX WL260 SP-S AE	
• 30 min	± 0.015 % C_n
Temperature coefficient	
• Zero signal T_{K0}	0.03% $C_n/10$ K
• Characteristic value T_{Kc}	0.03% $C_n/10$ K
Electrical characteristic values	
Recommended reference voltage U_{ref}	5 ... 12 V DC
Input resistance R_e	406 Ω ± 6 Ω
Output resistance R_s	350 Ω ± 3 Ω
Insulation resistance R_{is}	5 000 MΩ at 50 V DC
Connection and environmental conditions	
Rated temperature range B_{tn}	-10 ... +40 °C (+14 ... +104 °F)
Operating temperature range B_{tu}	-20 ... +50 °C (-4 ... +122 °F)
Storage temperature range B_{ts}	-20 ... +50 °C (-4 ... +122 °F)
Sensor material (DIN)	Aluminum
Degree of protection acc. to EN 60529	IP65
Cable connection	
Function	Color
• EXC + (supply +)	Red
• EXC - (supply -)	Black
• SIG + (measured signal +)	Green

Technical specifications (Continued)

SIWAREX WL260 SP-S AE

• SIG – (measured signal -)	White
• Shield (not connected to the load cell body)	Transparent

Dimensional drawings



SIWAREX WL260 SP-S AE load cell, dimensions in mm (inch)