

Level Measurement

Continuous level measurement
Radar level transmitters

SITRANS LR150

Overview



SITRANS LR150 is a compact radar transmitter for continuous level measurement of liquids, slurries, and solids to a range of 15 m (49.2 ft).

Benefits

- Bluetooth connectivity for easy setup with SITRANS mobile IQ.
- Optional HMI with pushbutton programming and local diagnostic data.
- Chemically resistant PVDF sensor.
- HART 7.0 communication for intelligent integration into your application.
- W band FMCW radar yields narrow beam with small antenna for superior performance in short range applications.
- Approved for open air applications outside of a tank.
- 2 mm accuracy and zero near range distance yields optimum inventory management capability.
- Compact design fits in limited space installations.
- Hazardous area variants available for safe use in explosive gas or dust environments (pending).

Application

SITRANS LR150 is a W band FMCW radar level transmitter, with a chemically resistant PVDF sensor, for years of trouble-free, reliable measurement service.

4 to 20 mA loop powered with HART, providing accurate level measurement to ranges of 15 m (49.2 ft). Measurement is possible, non-intrusively, through plastic vessel tops for easy installation. Programming is convenient using the Bluetooth connection and SITRANS mobile IQ application on your smart device or locally with an optional HMI.

Technical specifications

Mode of operation	
Measuring principle	W band FMCW radar
Measuring range	0 ... 15 m (0 ... 49.2 ft)
Frequency	80 GHz nominal
Beam angle	8°
Power Supply	
HART	
• Voltage	12 ... 35 V DC
• Current	4 ... 20 mA

Communications	
4 ... 20 mA	HART 7.0
Accuracy	± 2 mm
Rated operating conditions	
Vessel pressure	-1 ... +3 bar (14.50 ... 43.51 psi g)
Ambient temperature	-40 ... +70 °C (-40 ... +158 °F)
Process temperature	-40 ... +80 °C (-40 ... +176 °F)
Storage temperature	-40 ... +80 °C (-40 ... +176 °F)
Design	
Weight	0.5 kg (1.1 lb)
Material (sensor)	PVDF
Material (enclosure)	PBT
Process connection	1-½" NPT, 1-½" BSPT or 1-½" BSPP
Degree of protection	IP66/IP67
Cable inlet	M20 or ½" NPT
Certificates and approvals	
	CE, ATEX, IECEx, cFMUUS, cCSAUS, EAC, NEPSI, FDA/EG 1935/2004
Radio	CE, FCC, IC, Anatel, ICASA, NCC, KC, CITC, RCM, WPC, Telec, NBTC, MCMC
Water monitoring, flow	MCERTS Class 1
Canadian Registration Number (CRN)	
British Columbia	0F22218.51
Alberta	0F20596.2
Saskatchewan	0F2002.3
Manitoba	0F7032.4
Ontario	0F22218.5
Québec	0F05183.6
New Brunswick	0F1490.07
Nova Scotia	0F1490.08
Prince Edward Island	0F1490.09
Newfoundland and Labrador	0F1490.0
Yukon	0F1490.0Y
Northwest Territories	0F1490.0T
Nunavut	0F1490.0N
Programming	
SITRANS mobile IQ App	SITRANS mobile IQ is a Bluetooth app that provides an intuitive interface to quickly configure, set up and monitor SITRANS LR100 series (available for Android, Apple and Windows devices). For more information: http://www.siemens.com/mobileIQ
Optional HMI	4 button with display of variables and diagnostic data
SIMATIC PDM	SIMATIC PDM allows for remote PC configuration and diagnostics (for installation on a network).
SITRANS DTM	

Selection and ordering data	Article No.	Order code
SITRANS LR150 Radar level transmitter Non-contact, HART, 15 m (49.2 ft) range, for liquids and solids. ↗ Click on the Article No. for the online configuration in the PIA Life Cycle Portal.	7ML534 0 - A 0 7 - 4	
Bluetooth function Without With	0 1	
Process connection 1-½" NPT R 1-½" (BSPT) G 1-½" (BSPP)	A B C	
Type of protection Non Ex (ordinary locations) ²⁾ Ex i (ia) (Gas Ex-Zone 0/Class 1, Div. 1 & Div. 2) ¹⁾	A C	
Electrical connections/cable entry M20 ½" NPT	F K	
Local HMI Without display (closed lid of PBT/PC material) With display (closed lid of PBT/PC material) With display (clear lid with plastic window of PC material)	0 1 3	
		Further designs Please add "-Z" to Article No. and specify Order code(s). Tag (device parameter, max. 32 characters) plate stainless steel 304/1.4301 Inspection certificate 3.1 (EN 10204) - device with test data IINMETRO, IA MASC NEPSI, CCOE EACEX ATEX, IECEx, cFM _{US} , cCSA _{US} CSA-Japan-Ex WHG and VlareM
		Operating Instructions All literature is available to download for free, in a range of languages, at http://www.siemens.com/processinstrumentation/documentation
		Accessories Article No. SIMATIC RTU3030C compact, remote data manager with alarming 6NH3112-3BA00-0XX0 Intrinsically Safe barrier 7NG4124-1AA00 Bracket, 316L Stainless steel, 1 inch mount, 80 mm (3.1 inch) offset A5E50507509 Bracket, 316L Stainless steel, 1 inch mount, 200 mm (7.9 inch) offset A5E50507511 Bracket, 316L Stainless steel, 1.5 inch mount, 80 mm (3.1 inch) offset A5E50507514 Bracket, 316L Stainless steel, 1.5 inch mount, 200 mm (7.9 inch) offset A5E50507516 SITRANS LR150 HMI with connection cable A5E50812988 SITRANS LR140/LR150 Blind lid with o-ring A5E50822955 SITRANS LR150 clear lid with o-ring A5E50822960 Flat gasket, FKM, for G1.5 inch sensor A5E50822967 SITRANS RD100, loop powered display - see Chapter 7 7ML5741-.....- SITRANS RD150, remote digital display for 4 to 20 mA and HART devices - see Chapter 7 7ML5742-.....- SITRANS RD200, universal input display with Modbus conversion - see Chapter 7 7ML5740-.....- SITRANS RD300, dual line display with totalizer and linearization curve and Modbus conversion - see Chapter 7 7ML5744-.....- For applicable back up point level switch -see point level measurement section

¹⁾ Must be ordered in combination with order code E24, E25, E27, E49 or E29.

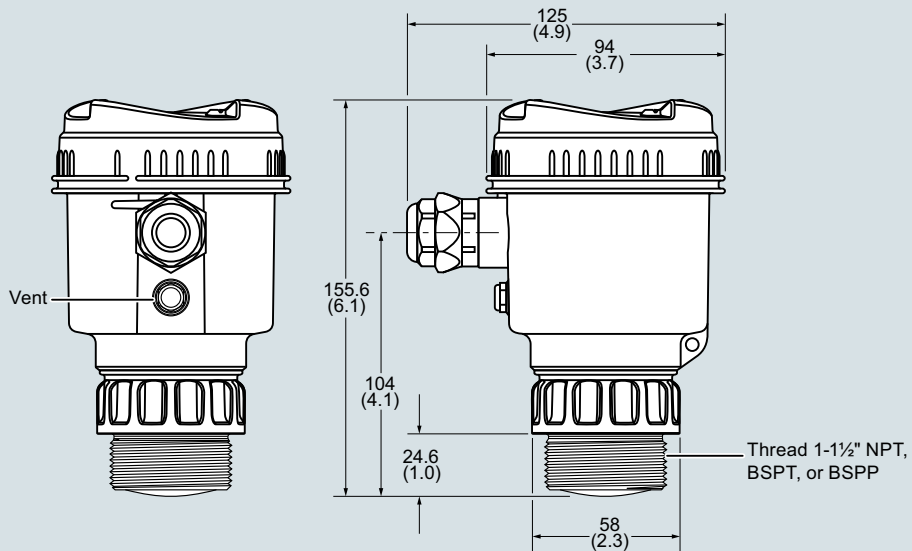
²⁾ Not available with order code E24, E25, E27, E49, or E29.

Level Measurement

Continuous level measurement
Radar level transmitters

SITRANS LR150

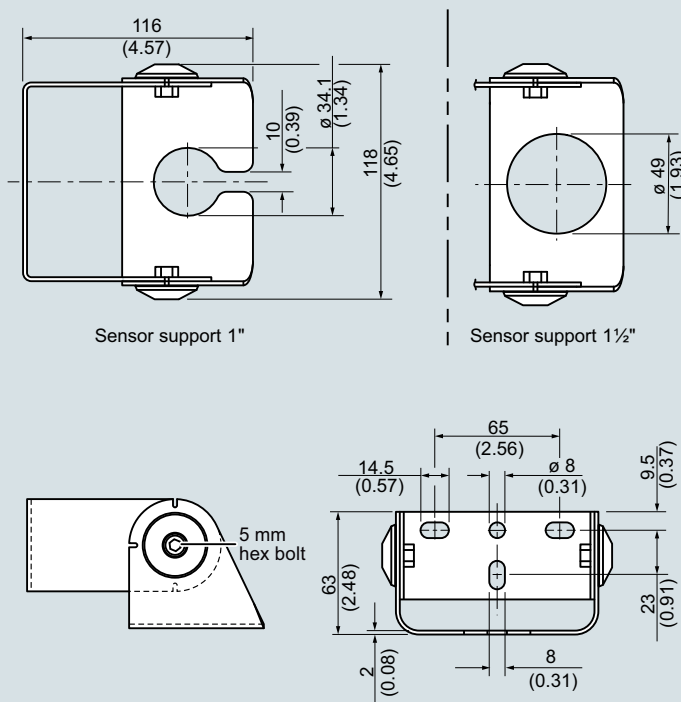
Dimensional drawings



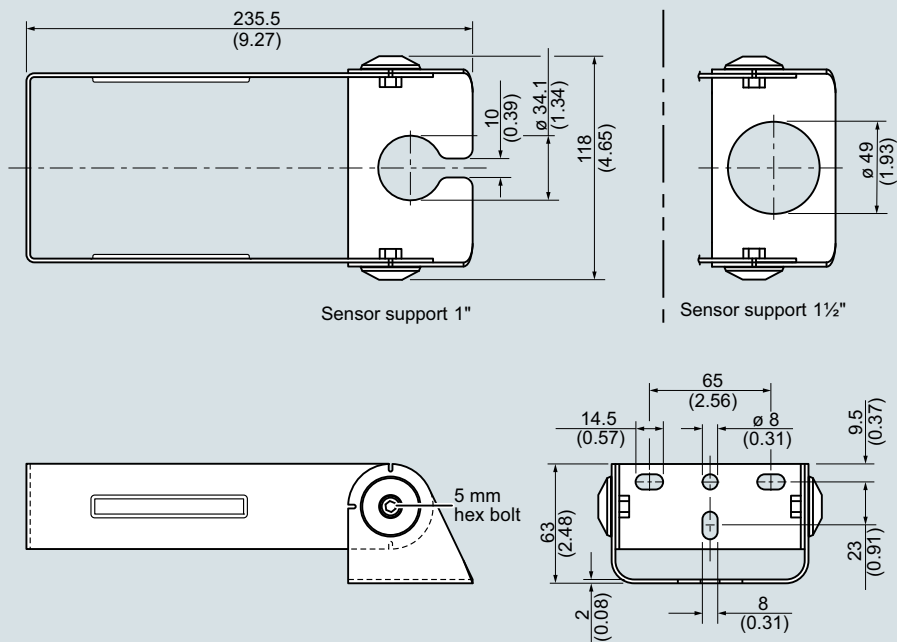
SITRANS LR150, dimensions in mm (inch)

4

Mounting bracket, 80 mm



Mounting bracket, 200 mm



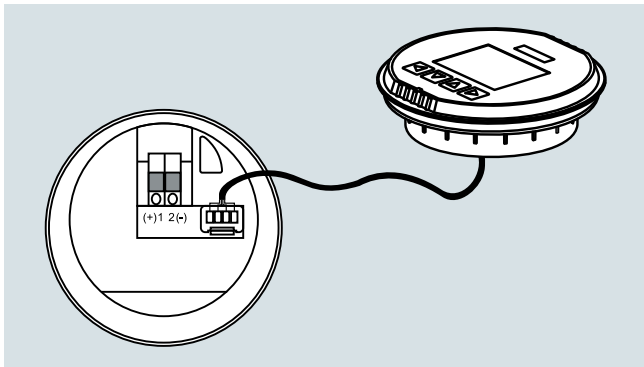
SITRANS LR150 mounting brackets, dimensions in mm (inch)

Level Measurement

Continuous level measurement
Radar level transmitters

SITRANS LR150

Circuit diagrams



SITRANS LR150 connections