

## Overview



SITRANS LR150 is a compact radar transmitter for continuous level measurement of liquids, slurries, and solids to a range of 15 m (49.2 ft).

## Benefits

- Bluetooth connectivity for easy setup with SITRANS mobile IQ.
- Optional HMI with pushbutton programming and local diagnostic data.
- Chemically resistant PVDF sensor.
- HART 7.0 communication for intelligent integration into your application.
- W band FMCW radar yields narrow beam with small antenna for superior performance in short range applications.
- Approved for open air applications outside of a tank.
- 2 mm accuracy and zero near range distance yields optimum inventory management capability.
- Compact design fits in limited space installations.
- Hazardous area variants available for safe use in explosive gas or dust environments (pending).

## Application

SITRANS LR150 is a W band FMCW radar level transmitter, with a chemically resistant PVDF sensor, for years of trouble-free, reliable measurement service.

4 to 20 mA loop powered with HART, providing accurate level measurement to ranges of 15 m (49.2 ft). Measurement is possible, non-intrusively, through plastic vessel tops for easy installation. Programming is convenient using the Bluetooth connection and SITRANS mobile IQ application on your smart device or locally with an optional HMI.

## SITRANS LR150

## Selection and ordering data

SITRANS LR150 Radar level transmitter Non-contact, HART, 15 m (49.2 ft) range, for liquids and solids.		Article No. 7ML534 0 - ● A ● 0 7 - 4 ● ● ●	
Click on the Article No. for the online configuration in the PIA Life Cycle Portal.			
<b>Bluetooth function</b>			
Without		0	
With		1	
<b>Process connection</b>			
1-½" NPT			A
R 1-½" (BSPT)			B
G 1-½" (BSPP)			C
<b>Type of protection</b>			
Ordinary Locations/General Purpose (Non-Ex) <sup>2)</sup>			A
ATEX II 1G, 1/2G Ex ia IIC T4 Ga, Ga/Gb; UKEX II 1G, 1/2G Ex ia IIC T4 Ga, Ga/Gb; Gas Ex-Zone 0/Class 1, Div. 1 & Div. 2 <sup>1)</sup>			C
<b>Electrical connections/cable entry</b>			
M20			F
½" NPT			K
<b>Local HMI</b>			
Without display (closed lid of PBT/PC material)			0
With display (closed lid of PBT/PC material)			1
With display (clear lid with plastic window of PC material)			3

Selection and Ordering data	Order code
<b>Further designs</b>	
Please add "-Z" to Article No. and specify Order code(s).	
Tag (device parameter, max. 32 characters) plate stainless steel 304/1.4301	Y15
Inspection certificate 3.1 (EN 10204) - device with test data	C25
INMETRO, IA MASC	E25
NEPSI, CCOE	E27
EACEx	E24
ATEX, UKEX, IECEx, cFM <sub>US</sub> , cCSA <sub>US</sub>	E49
CSA-Japan-Ex	E29
WHG and VLAREM II	E61

Accessories	Article No.
<b>Operating Instructions</b>	
All literature is available to download for free, in a range of languages, at <a href="http://www.siemens.com/processinstrumentation/documentation">http://www.siemens.com/processinstrumentation/documentation</a>	
<b>Accessories</b>	
Bracket, 316L Stainless steel, 1 inch mount, 80 mm (3.1 inch) offset	A5E50507509
Bracket, 316L Stainless steel, 1 inch mount, 200 mm (7.9 inch) offset	A5E50507511

Accessories	Article No.
Bracket, 316L Stainless steel, 1.5 inch mount, 80 mm (3.1 inch) offset	A5E50507514
Bracket, 316L Stainless steel, 1.5 inch mount, 200 mm (7.9 inch) offset	A5E50507516
SITRANS LR150 HMI with connection cable	A5E50812988
SITRANS LR140/LR150 Blind lid with o-ring	A5E50822955
SITRANS LR150 clear lid with o-ring	A5E50822960
Flat gasket, FKM, for G1.5 inch sensor	A5E50822967
1-½ BSP locknut, plastic	7ML1830-1DP
SIMATIC RTU3030C compact, remote data manager with alarming	6NH3112-3BA00-0-XX0
Intrinsically Safe barrier	7NG4124-1AA00
SITRANS RD100, loop powered display - see Chapter 7	7ML5741-.....-
SITRANS RD150, remote digital display for 4 to 20 mA and HART devices - see Chapter 7	7ML5742-.....-
SITRANS RD200, universal input display with Modbus conversion - see Chapter 7	7ML5740-.....-
SITRANS RD300, dual line display with totalizer and linearization curve and Modbus conversion- see Chapter 7	7ML5744-.....-
For applicable back up point level switch -see point level measurement section	

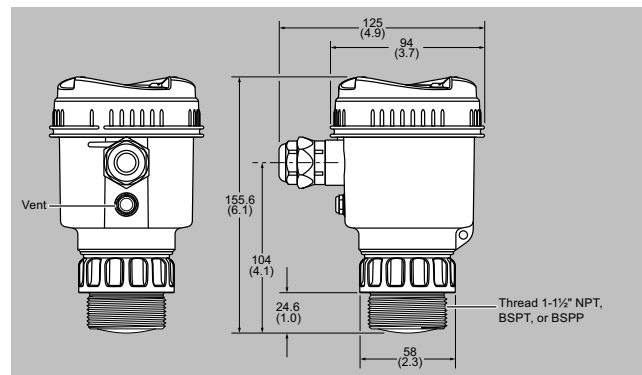
<sup>1)</sup> Must be ordered in combination with order code E24, E25, E27, E49. or E29.

<sup>2)</sup> Not available with order code E24, E25, E27, E49. or E29.

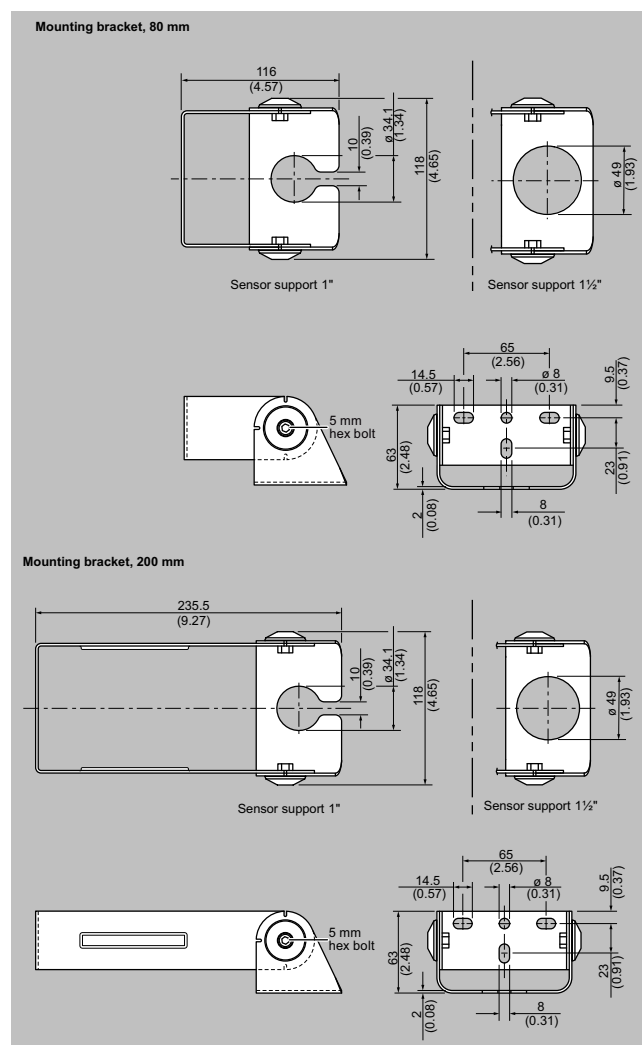
## Technical specifications

SITRANS LR150	
<b>Mode of operation</b>	
Measuring principle	W band FMCW radar
Measuring range	0 ... 15 m (0 ... 49.2 ft)
Frequency	80 GHz nominal
Beam angle	8°
<b>Power Supply</b>	
HART	
• Voltage	12 ... 35 V DC
• Current	4 ... 20 mA
<b>Communications</b>	
4 ... 20 mA	HART 7.0
<b>Accuracy</b>	± 2 mm
<b>Rated operating conditions</b>	
Vessel pressure	-1 ... +3 bar (14.50 ... 43.51 psi g)
Ambient temperature	-40 ... +70 °C (-40 ... +158 °F)
Process temperature	-40 ... +80 °C (-40 ... +176 °F)
Storage temperature	-40 ... +80 °C (-40 ... +176 °F)
<b>Design</b>	
Weight	0.5 kg (1.1 lb)
Material (sensor)	PVDF
Material (enclosure)	PBT
Process connection	1-½" NPT, 1-½" BSPT or 1-½" BSPP
Degree of protection	IP66/IP67
Cable inlet	M20 or ½" NPT
<b>Certificates and approvals</b>	
	CE, UKCA, ATEX, UKEX, IECEx, cFM <sub>US</sub> , cCSA <sub>US</sub> , EAC, NEPSI, FDA, Reg. (EC) No. 1935/2004
Radio	CE, UKCA, FCC, IC, Anatel, ICASA, NCC, KC, CITC, RCM, WPC, Telec, NBTC, MCMC
Water monitoring, flow	MCERTS Class 1
Canadian Registration Number (CRN)	
British Columbia	OF22218.51
Alberta	OF20596.2
Saskatchewan	OF2002.3
Manitoba	OF7032.4
Ontario	OF22218.5
New Brunswick	OF05183.6
Nova Scotia	OF1490.07
Prince Edward Island	OF1490.08
Newfoundland and Labrador	OF1490.09
Yukon	OF1490.0
Northwest Territories	OF1490.0Y
Nunavut	OF1490.0T
<b>Programming</b>	
SITRANS mobile IQ App	SITRANS mobile IQ is a Bluetooth app that provides an intuitive interface to quickly configure, set up and monitor SITRANS LR100 series (available for Android, Apple and Windows devices). For more information: <a href="http://www.siemens.com/mobileIQ">http://www.siemens.com/mobileIQ</a>
Optional HMI	4 button with display of variables and diagnostic data
SIMATIC PDM	SIMATIC PDM allows for remote PC configuration and diagnostics (for installation on a network).
SITRANS DTM	

## Dimensional drawings



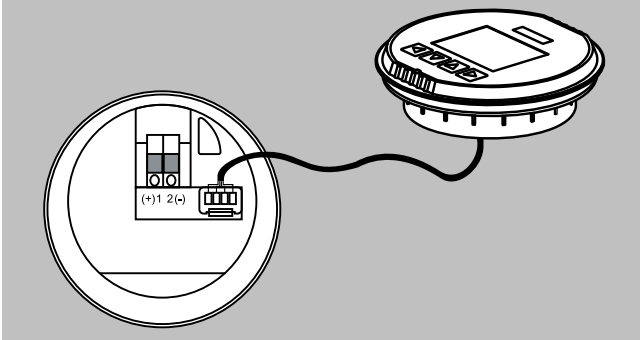
SITRANS LR150, dimensions in mm (inch)



SITRANS LR150 mounting brackets, dimensions in mm (inch)

## SITRANS LR150

### Circuit diagrams



SITRANS LR150 connections