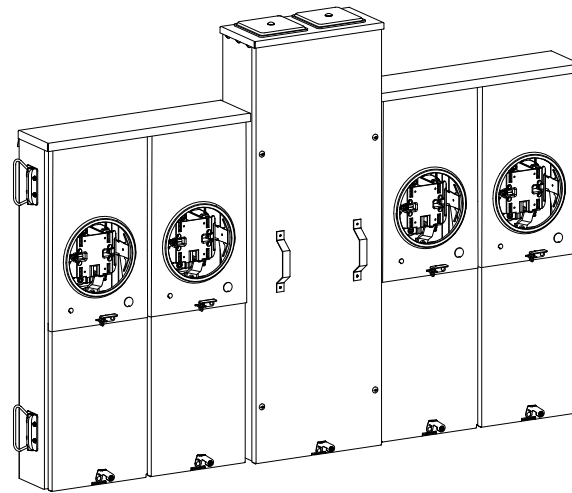


Catalog Numbers, Features and Ratings

Catalog Number	Max. Bus Rating	Max. Meter Socket Rating	AIC Rating Max.	Max. Branch Rating	Meter Positions	Meter Socket Cover	5th Jaw Installed	Bypass Type
WPLK6412RJ	600A	200A Cont.	65,000	225A	4	Ringless	Yes	Lever

- 120/240 V~, 1 Phase, 3 Wire
208Y/120 V~, 1 Phase, 3 Wire
- Suitable Only For Use As Service Equipment.
- For Overhead or Underground Service.
- Type 3R Outdoor Enclosure
Material/finish: ANSI 61 Gray Baked Powder Coat Paint Over G-90 Galvanized, Phosphatized Steel
- (4) Service Disconnects in Separate Compartments
- 7/16" and 7/8" Barrel Lock Provisions
- Provision for SPD Surge Protection available with mounting kit (sold separately - see accessories)
- NEC 2020 Compliant



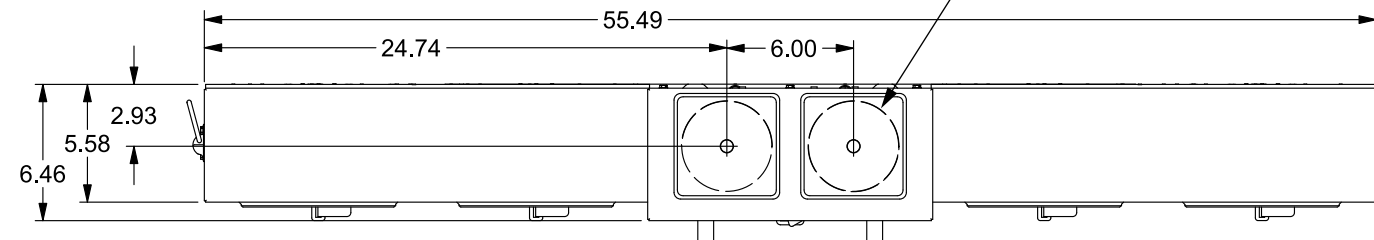
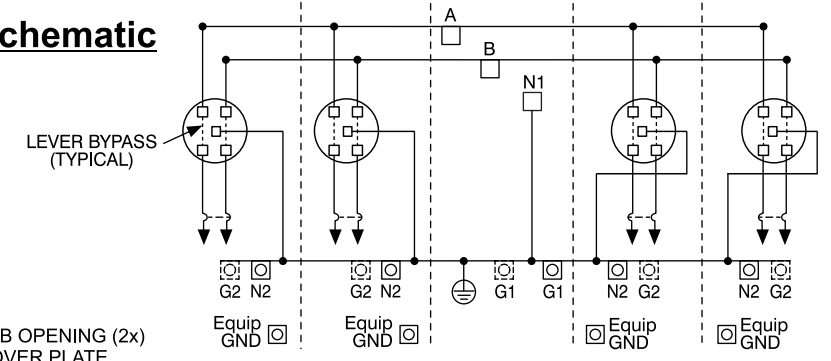
Terminal Wire Sizes and Torques

(refer to schematic)

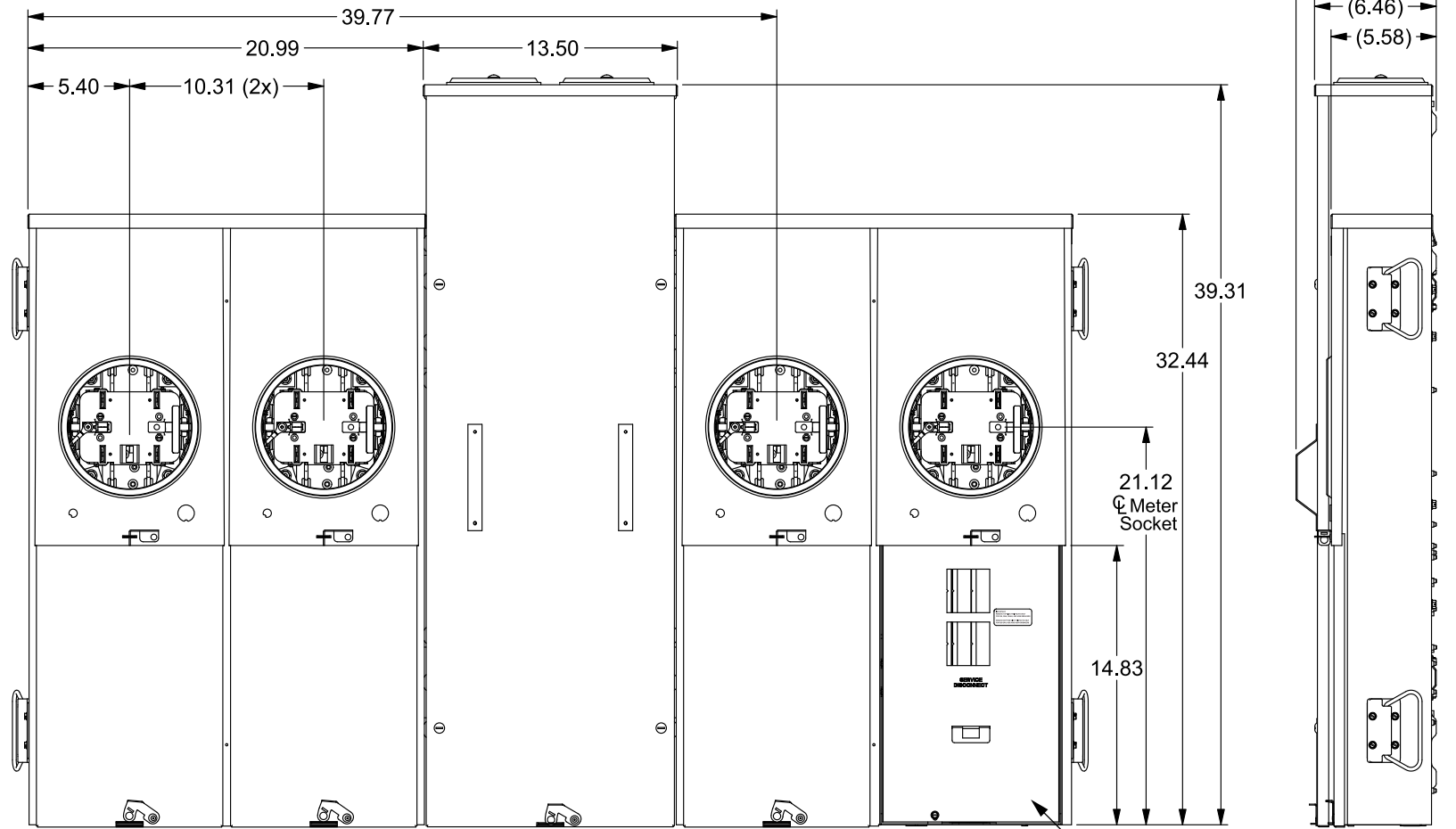
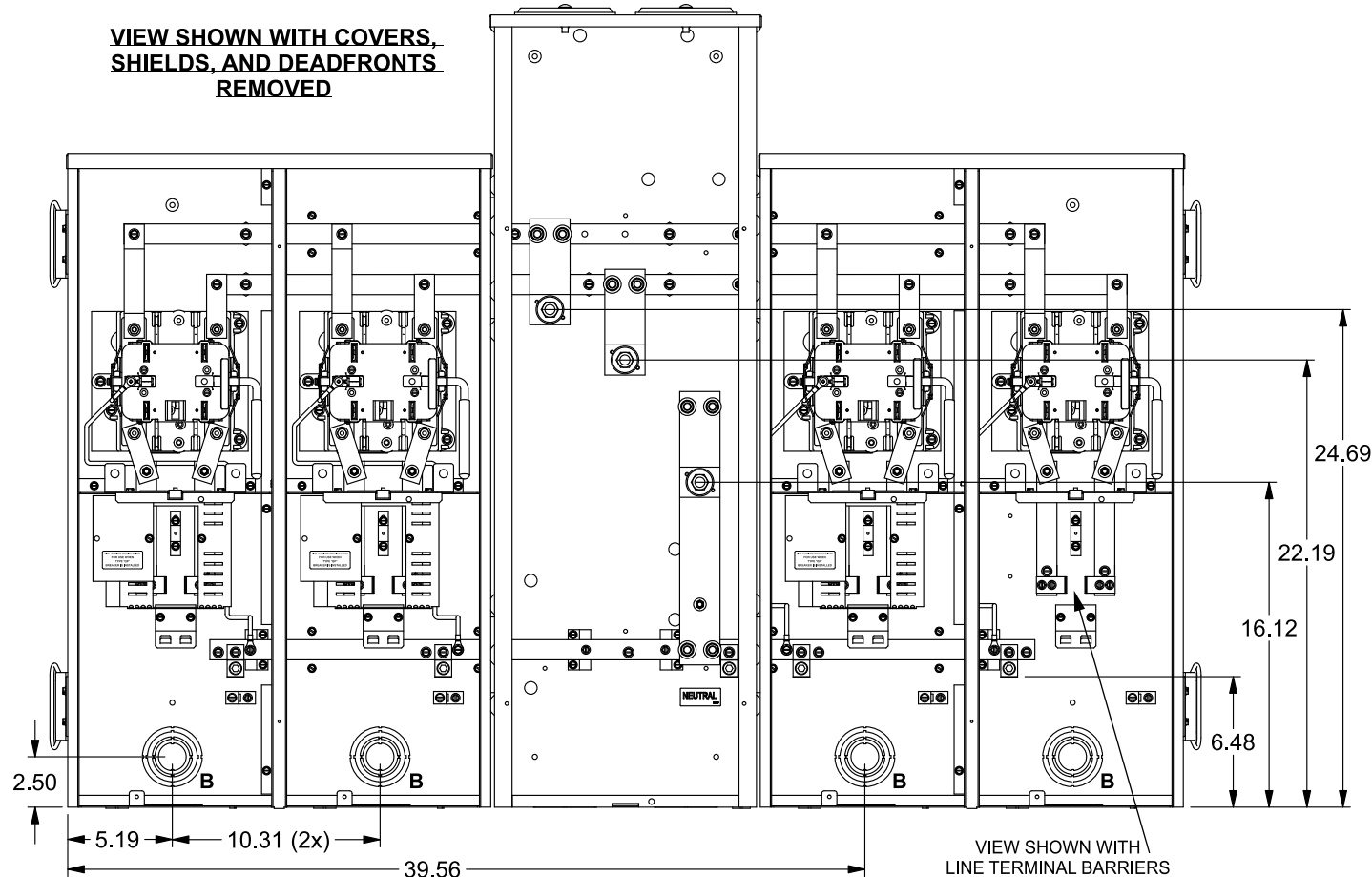
Terminal	Wire Size	Torque
A, B, N1	See Chart Below	
N2, G1	300 kcmil - #4 AWG	250 LB-IN
Equip GND, G2	#2/0 - 4 AWG	50 LB-IN
Lug Kit	Wire Size	Torque
H68752-1	(3) 250 kcmil - #6 AWG	275 LB-IN
H56732	(2) 350 kcmil - #4 AWG	275 LB-IN
H56732M	(2) 500 kcmil - #4 AWG	375 LB-IN

Terminals A, B, N1:
Torque 3/8-16 Nuts (9/16" drive) to 250 lb.-in.

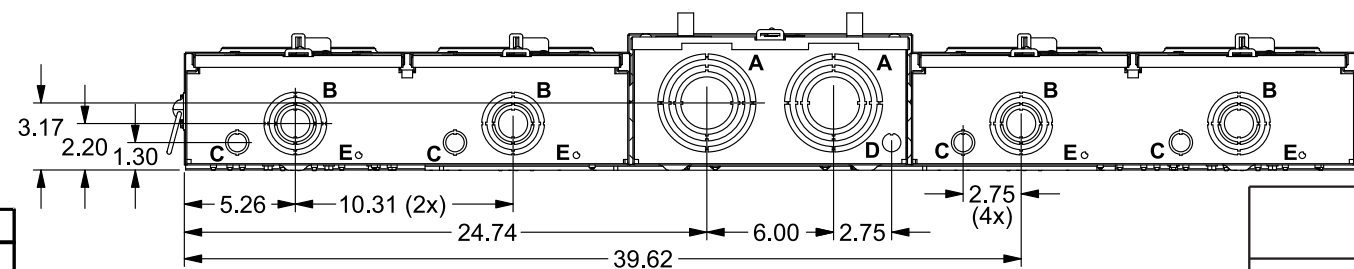
Schematic



VIEW SHOWN WITH COVERS, SHIELDS, AND DEADFRONTS REMOVED



VIEW SHOWN WITH LINE TERMINAL BARRIERS REMOVED ON THIS COMPARTMENT



VIEW SHOWN WITH COVER REMOVED ON THIS COMPARTMENT

Accessories, Replacement Parts

Trade Size (in)	Catalog No.
2"	EC56854
2-1/2"	EC56855
3"	EC56856
3-1/2"	EC56857
4"	EC56858
Closure Plate	EC56933S

- Accessories**
- 5th Jaw, 9 o'Clock Position... S35815-2
 - Meter Socket Cover Plate (Ringless)... EC56858
 - SPD Surge Protection Mtg Kit... WPKSPD600L
 - QP Lug Adaptor, 4/0... WM40LA

Knockouts

DESIGNATION	QTY	KNOCKOUT
A	2	4, 3-1/2, 3, 2-1/2, 2"
B	8	2-1/2, 2, 1-1/2, 1-1/4, 1"
C	4	3/4, 1/2"
D	1	1/2"
E	4	1/4"

© 2024 Copyright Siemens Industry, Inc.

SIEMENS
Siemens Industry, Inc.

Uni-PAK Metering

Description: **WPLK Series, 600A Bus, Lever Bypass, 4 Position, 200 Meter**

KAM 10/1/24 DO NOT SCALE DRAWING Dwg No: **WPLK6412RJ**