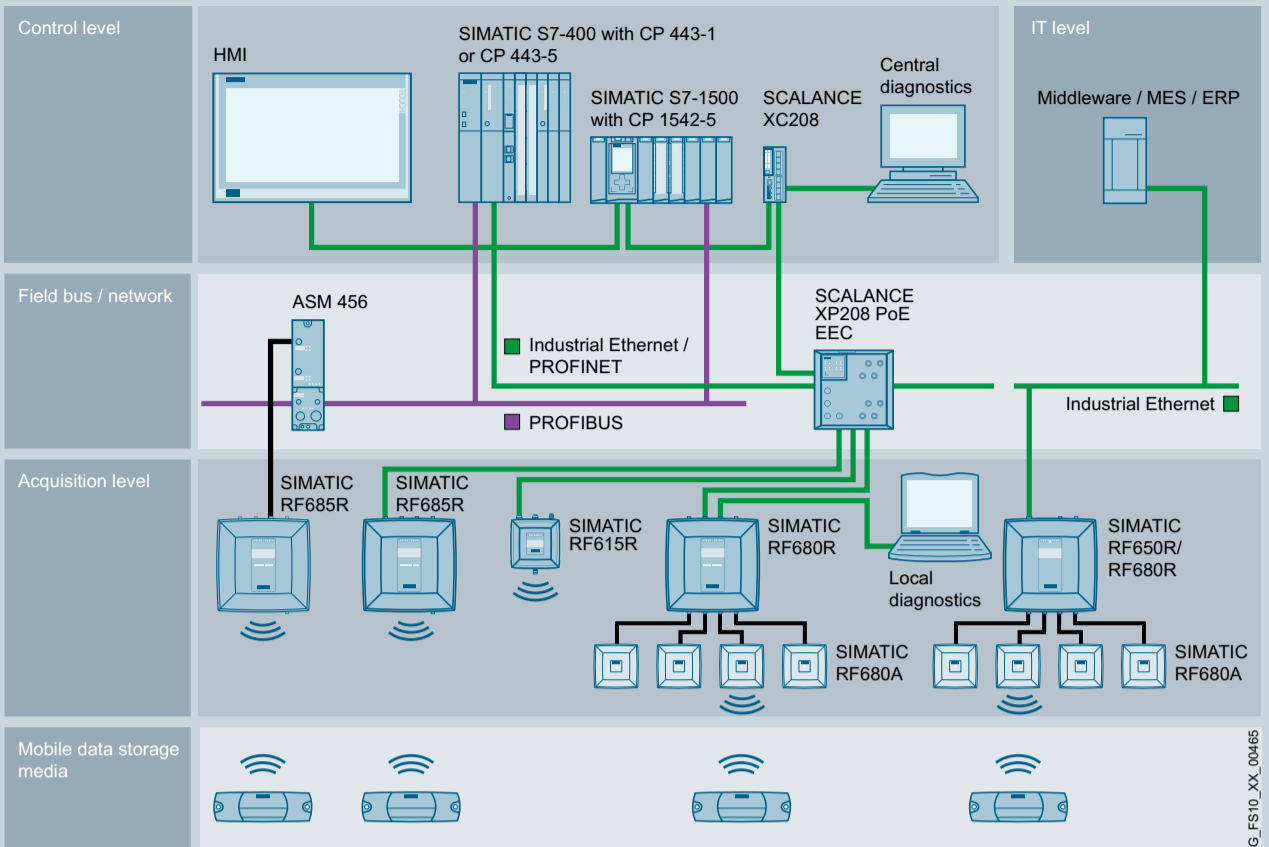


RF600 Configuration



G_FS10_XX_00465

www.siemens.com/rf600

The information provided in this brochure contains merely general descriptions of characteristics of performance, which in case of actual use do not always apply as described or which may change as a result of further development of the products. An obligation to provide the respective characteristics shall only exist if expressly agreed in the terms of contract. Availability and technical specifications are subject to change without notice. All product designations may be trademarks or product names of Siemens AG or supplier companies whose use by third parties for their own purposes could violate the rights of the owners.

Siemens AG
 Process Automation
 Postfach 48 48
 90026 Nürnberg
 Germany
 © Siemens AG 2018
 Subject to change without prior notice
 Article number 6ZB5330-0B102-0BA7
 IC-FPN9Z-DIPAP-XXX-13 / Dispo 26000
 BR 1118 2. ROT 12 En
 Printed in Germany



<https://www.siemens.com/industrialsecurity>
 Security RSS Feed under

Siemens' products and solutions undergo continuous development to make them more secure. Siemens strongly recommends that product updates are applied as soon as they are available and that the latest product versions are used. Use of product versions that are no longer supported, and failure to apply the latest updates may increase customer's exposure to cyber threats. To stay informed about product updates, subscribe to the Siemens Industrial Security RSS Feed under

Siemens provides products and solutions with industrial security functions that support the secure operation of plants, systems, machines and networks. In order to protect plants, systems, machines and networks against cyber threats, it is necessary to implement – and continuously maintain – a holistic, state-of-the-art industrial security concept. Siemens' products and solutions constitute one element of such a concept. Customers are responsible for preventing unauthorized access to their plants, systems, machines and networks. Such systems, machines and components should only be connected to an enterprise network or the Internet if and to the extent such a connection is necessary and only when appropriate security measures (e.g. firewalls and/or network segmentation) are in place. For additional information on industrial security measures that may be implemented, please visit <https://www.siemens.com/industrialsecurity>

Security Information






SIMATIC Ident

SIMATIC RF600

RFID system for the UHF range
 Ordering overview – Edition 11/2018

siemens.com/rf600

Ordering overview "SIMATIC RF600"

Product	Comments	Article no. ¹⁾
Communication modules		
	ASM 456 Communication module for connecting up to 2 readers to PROFIBUS DP-V1	6GT2002-0ED00
	Connection block for ASM 456 ECOFAST	6ES7194-3AA00-0AA0
	M12, 7/8"	6ES7194-3AA00-0BA0
SIMATIC RF600 labels²⁾ and transponder		
	SIMATIC RF630L SmartLabel, paper, adhesive on one side, 4" x 6" (101 mm x 152 mm), for ETSI ³⁾ , FCC ⁴⁾ , CMIIT ⁵⁾ , ARIB ^{6) 7)}	6GT2810-2AB00

For bus cables and RFID standard cables as well as additional accessories, see Catalog ID 10. For precise system and component selection criteria, please refer to the RFID Configuration at: www.siemens.com/rfid-configuration. All current approvals can be found on the Internet at: www.siemens.com/rfid-approvals

- 1) You will find up-to-date ordering data on the Internet at: www.siemens.com/industrymall. Conditions of sales and delivery are available at: www.siemens.com/automation/salesmaterial-as/catalog/en/terms_of_trade_en.pdf
- 2) Customized labels on request

- 3) ETSI: for Europe, 865 to 868 MHz
- 4) FCC: for USA, 902 to 928 MHz
- 5) CMIIT: for China, 920 to 925 MHz
- 6) ARIB: for Japan, 920 to 924 MHz
- 7) ARIB: for Japan, 916 to 920 MHz

	Product	Comments	Article no. ¹⁾
SIMATIC RF600 labels²⁾ and transponder			
	SIMATIC RF630L	SmartLabel, plastic PET, adhesive on one side, 105 mm x 25 mm, for ETSI ³⁾ , FCC ⁴⁾ , CMIIT ⁵⁾ , ARIB ^{6) 7)}	6GT2810-2AE80-0AX2
		SmartLabel, plastic PET, adhesive on one side, 97 mm x 27 mm, for ETSI ³⁾ , FCC ⁴⁾ , CMIIT ⁵⁾ , ARIB ^{6) 7)}	6GT2810-2AB02-0AX0
		SmartLabel, plastic PET, adhesive on one side, 90 mm x 30 mm, for ETSI ³⁾ , FCC ⁴⁾ , CMIIT ⁵⁾ , ARIB ^{6) 7)}	6GT2810-2AE81-0AX1
		SmartLabel, plastic PET, adhesive on one side, 80 mm x 26 mm, for ETSI ³⁾ , FCC ⁴⁾ , CMIIT ⁵⁾ , ARIB ^{6) 7)}	6GT2810-2AE81-0AX2
		SmartLabel, plastic PET, adhesive on one side, 74 mm x 27 mm, for ETSI ³⁾ , FCC ⁴⁾ , CMIIT ⁵⁾ , ARIB ^{6) 7)}	6GT2810-2AB04
		SmartLabel, plastic PET, adhesive on one side, 54 mm x 34 mm, for ETSI ³⁾ , FCC ⁴⁾ , CMIIT ⁵⁾ , ARIB ^{6) 7)}	6GT2810-2AB03
		SmartLabel, plastic PET, adhesive on one side, 45 mm x 20 mm, for ETSI ³⁾ , FCC ⁴⁾ , CMIIT ⁵⁾ , ARIB ^{6) 7)}	6GT2810-2AC82
	SIMATIC RF642L	On-metal-label, top side PET, 50 mm x 22.5 mm x 1.6 mm, for mounting on metal surfaces and non-metallic surfaces with large memory	
		in accordance with ETSI ³⁾	6GT2810-3AC00
		in accordance with FCC ⁴⁾ , CMIIT ⁵⁾ , ARIB ^{6) 7)}	6GT2810-3AC10
	SIMATIC RF690L	On-metal-label, heat-proof, for mounting on metal surfaces and non-metallic surfaces	
		in accordance with ETSI ³⁾ , 88 mm x 25 mm x 1.6 mm	6GT2810-2AG00
	SIMATIC RF610T	in accordance with FCC ⁴⁾ , CMIIT ⁵⁾ , ARIB ^{6) 7)} , 77 mm x 25 mm x 1.6 mm	6GT2810-2AG10
		ISO card transponder, for ETSI ³⁾ , FCC ⁴⁾ , CMIIT ⁵⁾ , ARIB ^{6) 7)}	6GT2810-2BB80
	SIMATIC RF620T	Fixing pocket for attaching to metal surfaces, in combination with spacer	6GT2190-0AB00
		Spacer for attaching to metal surfaces, in combination with fixing pocket	6GT2190-0AA00
		Container transponder, for ETSI ³⁾ , FCC ⁴⁾ , CMIIT ⁵⁾ , ARIB ^{6) 7)}	6GT2810-2HC81
	SIMATIC RF625T	Spacer for attaching to metal surfaces	6GT2898-2AA00
		Compact transponder for mounting in and on metal surfaces and non-metallic surfaces	
		in accordance with ETSI ³⁾	6GT2810-2EE00
	SIMATIC RF630T	in accordance with FCC ⁴⁾ , CMIIT ⁵⁾ , ARIB ^{6) 7)}	6GT2810-2EE01
		Screw transponder for mounting on metal surfaces and non-metallic surfaces	
		in accordance with ETSI ³⁾	6GT2810-2EC00
	SIMATIC RF640T	in accordance with FCC ⁴⁾ , CMIIT ⁵⁾ , ARIB ^{6) 7)}	6GT2810-2EC10
		Tool transponder for mounting on metal surfaces and non-metallic surfaces	
		in accordance with ETSI ³⁾	6GT2810-2DC00
	SIMATIC RF645T	in accordance with FCC ⁴⁾ , CMIIT ⁵⁾ , ARIB ^{6) 7)}	6GT2810-2DC10
		On-metal transponder for ETSI ³⁾ , FCC ⁴⁾ , CMIIT ⁵⁾ , ARIB ^{6) 7)} , for mounting on metal surfaces and non-metallic surfaces	6GT2810-2HC05
		Fixing hood	6GT2898-5AA00
	SIMATIC RF680T	Fixing bracket	6GT2898-5AB00
		High-temperature transponder, for ETSI ³⁾ , FCC ⁴⁾ , CMIIT ⁵⁾ , ARIB ^{6) 7)}	6GT2810-2HG80
	SIMATIC RF682T	High-temperature transponder with large memory for ETSI ³⁾ , FCC ⁴⁾ , CMIIT ⁵⁾ , ARIB ^{6) 7)}	6GT2810-3HG80
		Mounting bracket	made of stainless steel for SIMATIC RF680T and SIMATIC RF682T (packing unit 10 sets, one set contains 2 units)
SIMATIC RF600 Reader			
	SIMATIC RF650R	UHF reader with 4 antenna connections, for connection via Ethernet, OPC UA server integrated	
		in accordance with ETSI ³⁾	6GT2811-6AB20-0AA0
		in accordance with FCC ⁴⁾	6GT2811-6AB20-1AA0
		in accordance with CMIIT ⁵⁾	6GT2811-6AB20-2AA0
	SIMATIC RF680R	in accordance with ARIB ⁶⁾	6GT2811-6AB20-4AA0
		UHF reader with 4 antenna connections, for direct connection to Ethernet, PROFINET, EtherNet/IP or PROFIBUS via communication module, OPC UA Server integrated	
		in accordance with ETSI ³⁾	6GT2811-6AA10-0AA0
		in accordance with FCC ⁴⁾	6GT2811-6AA10-1AA0
	SIMATIC RF685R	in accordance with CMIIT ⁵⁾	6GT2811-6AA10-2AA0
		in accordance with ARIB ⁷⁾	6GT2811-6AA10-4AA0
		UHF reader with 1 antenna connection, 1 adaptive antenna integrated, for direct connection to Ethernet, PROFINET, EtherNet/IP or PROFIBUS via communication module, OPC UA Server integrated	
		in accordance with ETSI ³⁾	6GT2811-6CA10-0AA0
	SIMATIC RF615R	in accordance with FCC ⁴⁾	6GT2811-6CA10-1AA0
		in accordance with CMIIT ⁵⁾	6GT2811-6CA10-2AA0
		in accordance with ARIB ⁷⁾	6GT2811-6CA10-4AA0
		Compact UHF reader with 1 antenna connection, 1 circular polarized antenna integrated, for direct connection to PROFINET, OPC UA Server integrated	
	SIMATIC RF650M	in accordance with ETSI ³⁾	6GT2811-6CC10-0AA0
		in accordance with FCC ⁴⁾	6GT2811-6CC10-1AA0
		Mobile handheld terminal UHF, incl. charger and battery, WLAN integrated	
		in accordance with ETSI ³⁾	6GT2813-0CA00
	SIMATIC RF650M	in accordance with FCC ⁴⁾	6GT2813-0CA10
		Accessories	
		Charging/docking station, Ethernet, USB	6GT2898-0BB00
SIMATIC RF600 antennas			
	SIMATIC RF615A	Compact antenna 52 X 52 X 16 mm (LxBxH), linear polarization	
		in accordance with ETSI ³⁾	6GT2812-0EA00
		in accordance with FCC ⁴⁾ , CMIIT ⁵⁾ , ARIB ^{6) 7)}	6GT2812-0EA01
	SIMATIC RF620A	Compact antenna 75 X 73 X 20 mm (LxBxH), linear polarization	
		in accordance with ETSI ³⁾	6GT2812-1EA00
	SIMATIC RF642A	in accordance with FCC ⁴⁾ , CMIIT ⁵⁾ , ARIB ^{6) 7)}	6GT2812-1EA01
		Antenna with linear polarization in accordance with ETSI ³⁾ , FCC ⁴⁾ , CMIIT ⁵⁾ , ARIB ^{6) 7)}	6GT2812-1GA08
	SIMATIC RF650A	Antenna with circular polarization in accordance with ETSI ³⁾ , FCC ⁴⁾ , CMIIT ⁵⁾ , ARIB ^{6) 7)}	6GT2812-0GB08
		Antenna with circular polarization	
	SIMATIC RF660A	in accordance with ETSI ³⁾	6GT2812-0AA00
		in accordance with FCC ⁴⁾ , CMIIT ⁵⁾ , ARIB ^{6) 7)}	6GT2812-0AA01
	SIMATIC RF680A	High end antenna with automatic reversible polarization (circular, linear), in accordance with ETSI ³⁾ , FCC ⁴⁾ , CMIIT ⁵⁾ , ARIB ^{6) 7)}	6GT2812-2GB08
Accessories for antennas			
	Antenna cable	Length 1 m, Ø 5 mm, attenuation 0.5 dB	6GT2815-0BH10
		Length 3 m, Ø 5 mm, attenuation 1 dB	6GT2815-0BH30
		Length 5 m, Ø 5.5 mm, attenuation 1.5 dB, trailing cable	6GT2815-2BH50
		Length 10 m, Ø 7.6 mm, attenuation 2 dB	6GT2815-1BN10
		Length 10 m, Ø 5 mm, attenuation 4 dB	6GT2815-0BN10
		Length 15 m, Ø 5.5 mm, attenuation 4.5 dB, trailing cable	6GT2815-2BN15
		Length 20 m, Ø 7.6 mm, attenuation 4 dB	6GT2815-0BN20
	Length 40 m, Ø 10.3 mm, attenuation 5 dB	6GT2815-0BN40	
Antenna mounting kit	For flexible mounting of antennas and readers	6GT2890-2AB10	
Software/Documentation/Accessories			
	Accessories	Wide-range power supply 100 V AC ... 240 V AC / 24 V DC, 3 A with EU connector version	6GT2898-0AC00
		Wide-range power supply 100 V AC ... 240 V AC / 24 V DC, 3 A with UK connector version	6GT2898-0AC10
		Wide-range power supply 100 V AC ... 240 V AC / 24 V DC, 3 A with US connector version	6GT2898-0AC20
		Cable for wide-range power supply, 24 V, 5 m	6GT2891-0PH50
		Power cord 24 V, breakout cable, 5 m	6GT2891-4EH50
DVD	RFID Systems Software & Documentation	6GT2080-2AA20	

For bus cables and RFID standard cables as well as additional accessories, see Catalog ID 10.
For precise system and component selection criteria, please refer to the RFID Configurator at: www.siemens.com/rfid-configuration
All current approvals can be found on the Internet at: www.siemens.com/rfid-approvals

1) Customized labels on request
2) You will find up-to-date ordering data on the Internet at: www.siemens.com/industrymall
Conditions of sales and delivery are available at: www.siemens.com/automation/salesmaterial-as/catalog/en/terms_of_trade_en.pdf

3) ETSI: for Europe, 865 to 868 MHz
4) FCC: for USA, 902 to 928 MHz
5) CMIIT: for China, 920 to 925 MHz
6) ARIB: for Japan, 920 to 924 MHz
7) ARIB: for Japan, 916 to 920 MHz