

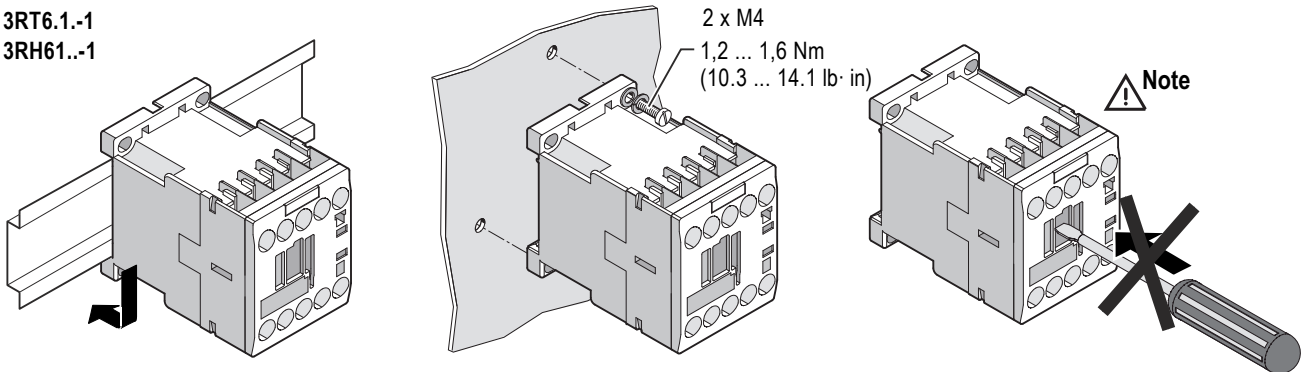


Operating Instructions 使用说明

	English	DANGER	CAUTION
	Read and understand these instructions before installing, operating, or maintaining the equipment.	 Hazardous voltage. Will cause death or serious injury. Turn off and lock out all power supplying this device before working on this device.	Reliable functioning of the equipment is only ensured with certified components.
	安装、使用和维修本设备前必须先阅读并理解本说明。	 危险 危险电压。 可能导致生命危险或重伤危险。 操作设备时必须确保切断电源。	小心 只有使用经过认证的部件才能保证设备的正常运转。

EN Assembly 中文 安装

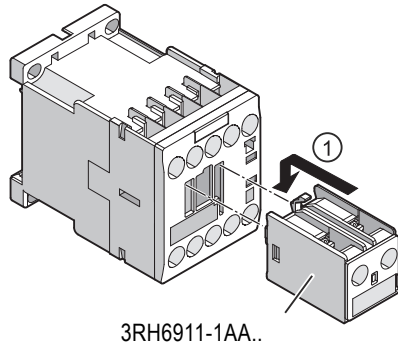
3RT6.1..-1
3RH61..-1



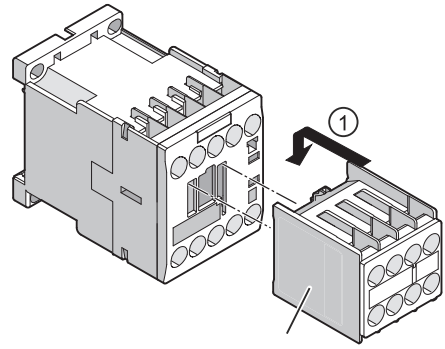
Technical Hotline: Telephone: +86-400-810-4288 (8:30 - 17:15 UTC+8) Fax: ++86-10-6471-9991
 E-mail: 4008104288.cn@siemens.com
 Internet: www.4008104288.com.cn or www.ad.siemens.com.cn/service

3RH6911-1AA..
3RH6911-1HA..

EN	Assembly
中文	安装

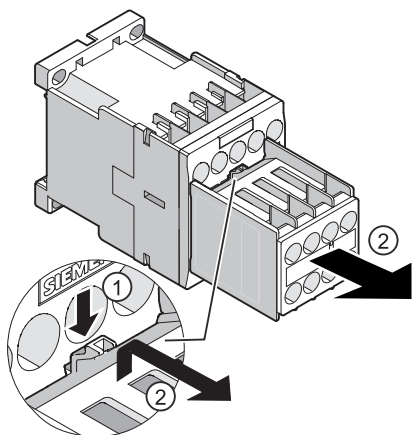
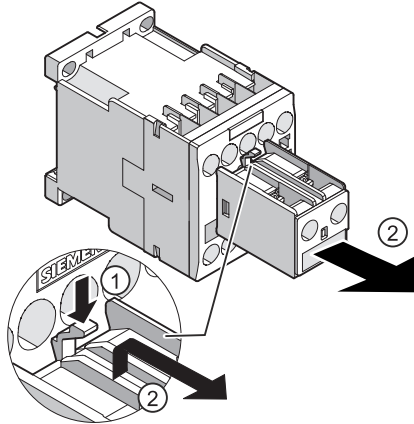


3RH6911-1AA..



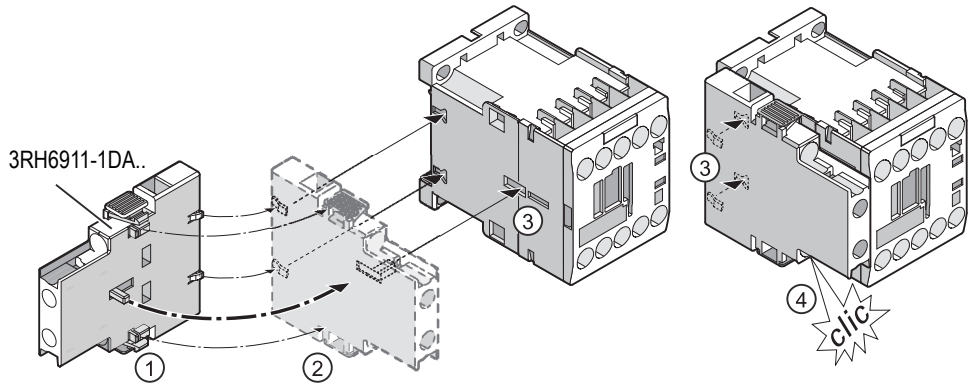
3RH6911-1HA..

EN	Removal
中文	拆卸

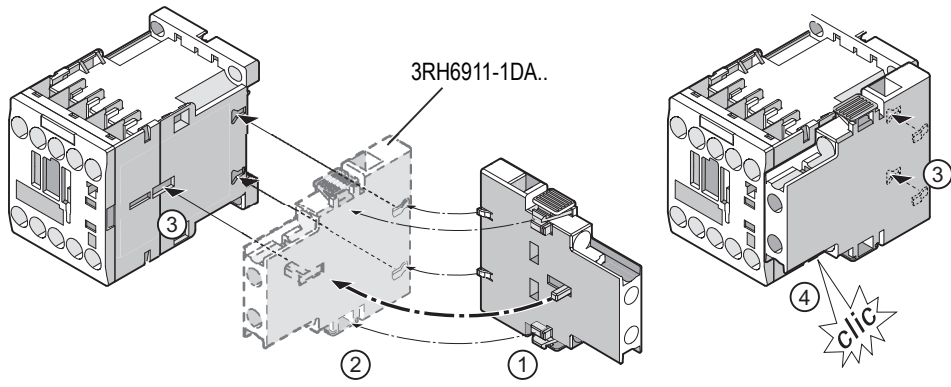


3RH6911-1DA..

EN	Assembly
中文	安装



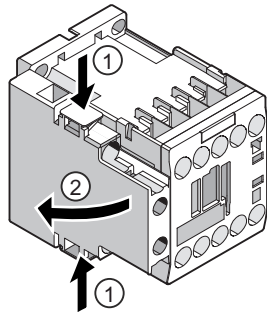
3RH6911-1DA..



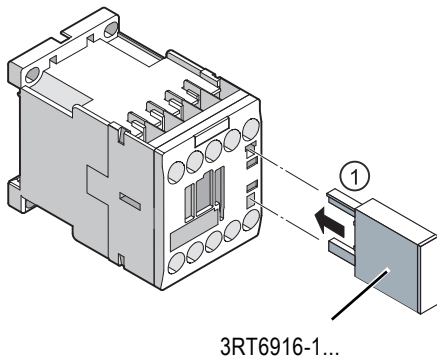
NC/NO: max. Stck. / pc.			
3RT6.1. 3RH61..	1	0	1
	0	1	0
	0	0	1 + 1
3RT6.1.-. 3RH61.-.	—	—	—
			K..

	max. NC
3RH6140-1....	4
3RH6131-1....	3
3RT601.-1....	3
3RH6122-1....	2

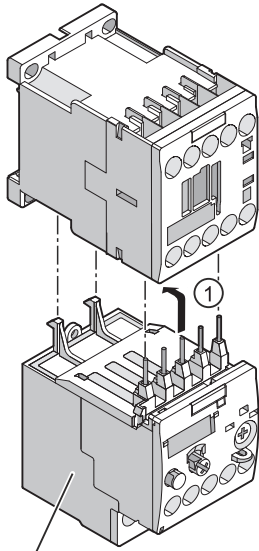
EN	Removal
中文	拆卸



3RT6916-1...



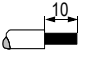
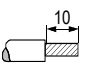
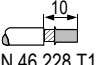


3RU6116-1...



3RU6116-1.B0

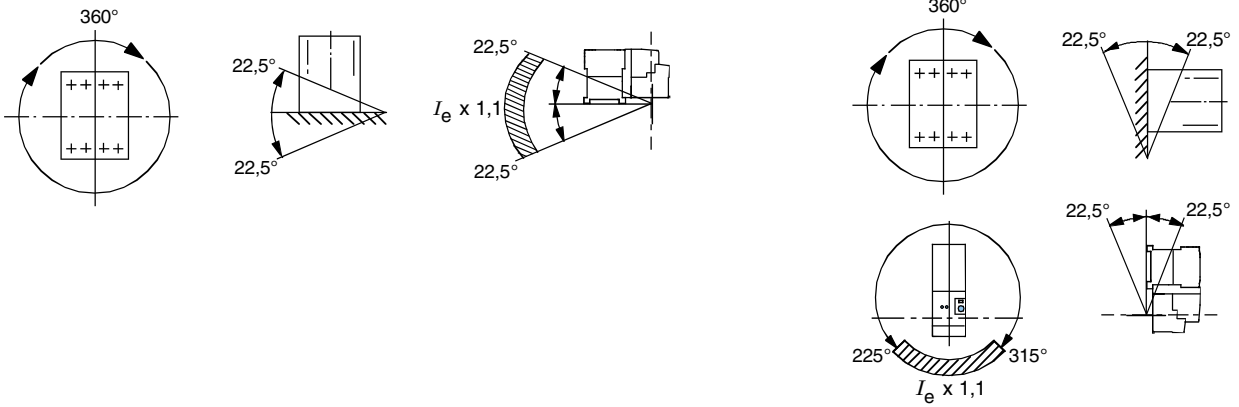
EN	Connect	中文	连接
----	---------	----	----

	3RT6.1.-1 3RH61..-1	3RH6911-1
	 PZ 2: Ø (5 ... 6 mm) M3: 0,8 ... 1,2 Nm (7 to 10.3 lb in)	 PZ 2 (Ø 5 ... 6 mm) M3: 0,8 ... 1,2 Nm (7 to 10.3 lb in)
	2 x (0,5 ... 1,5) mm ² 2 x (0,75 ... 2,5) mm ² 2 x 4 mm ²	2 x (0,5 ... 1,5) mm ² 2 x (0,75 ... 2,5) mm ²
	—	—
 DIN 46 228 T1	2 x (0,5 ... 1,5) mm ² 2 x (0,75 ... 2,5) mm ²	2 x (0,5 ... 1,5) mm ² 2 x (0,75 ... 2,5) mm ²
AWG	2 x (20 to 16) 2 x (18 to 14) 2 x 12	2 x (20 to 16) 2 x (18 to 14)

EN	Mounting position	中文	安装位置
----	-------------------	----	------

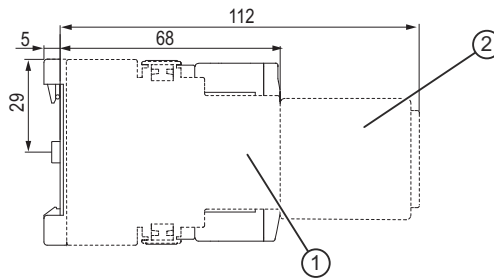
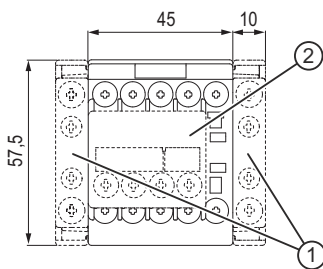
3R.1...-.....-1...

AC / DC

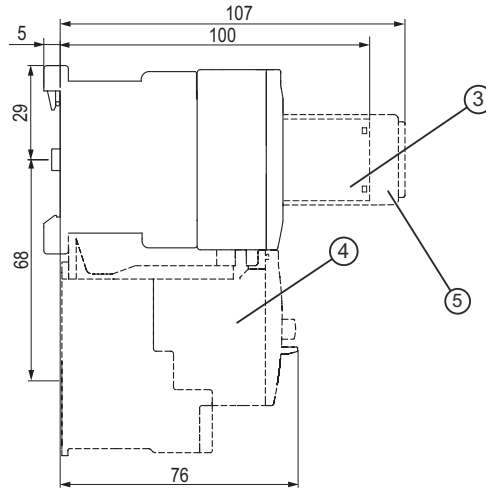
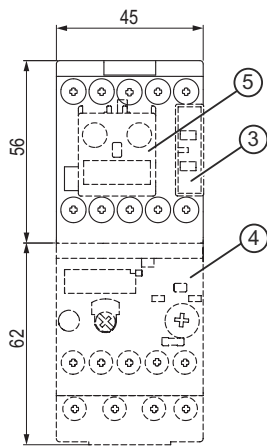


EN	Dimension drawings (all dimensions in mm)	中文	尺寸图 (单位: mm)
----	--	----	-----------------

3RT6.1.-1, 3RH61.-1



- (1) 3RH6911-1DA..
- (2) 3RH6911-1HA..



- (3) 3RT6916-1...
- (4) 3RU6116-..B0
- (5) 3RH6911-1AA10

3RT6.1.-1, 3RH61.-1

