

Overview



The MAXUM edition II is a universal process gas chromatograph for flexible process applications with a wide variety of analytical possibilities. The MAXUM edition II combines various functional modules with a flexible oven concept and can therefore also optimally solve complex applications.

The MAXUM edition II is used in all sectors of the chemical and petrochemicals industries and in refineries. It analyzes the chemical composition of gases and liquids in all production phases. The MAXUM edition II is suitable for installation in an analysis cabinet close to the process or in a nearby at-line laboratory. Thanks to the flexible application possibilities, it can be used to analyze the starting material, the end product and also by-products. The MAXUM edition II can also be used for many applications with environmental measurements.

The MAXUM edition II has extremely rugged and specially designed hardware and software. It automatically takes a sample from the process, and injects this onto the chromatographic columns.

With its high-performance software and hardware, it satisfies the highest demands for measurement repeatability, and can be operated for a long time without manual interventions. Using high-performance communication tools, the MAXUM edition II can send its measurement results to process control systems. The comprehensive networking options enable multiple MAXUM edition II chromatographs to operate together in large networks.

Benefits

The MAXUM edition II with its combination of different analytical components offers a wide range of analytical possibilities. This means it is possible to solve highly different measuring tasks with just one analyzer. This reduces the costs for investment, training and stocking of spare parts.

The MAXUM edition II platform offers:

- Numerous oven configurations permit an optimum solution for almost every application
- Numerous types of detector and valve for the optimum analytical solution
- Intelligent electronics based on plug & play principle
- Local operation and central workstation for fast, easy operator control, monitoring and maintenance
- Powerful device software enables best results
- Numerous I/Os and serial interfaces for internal and central interfacing
- Versatile networking possibilities for central maintenance and secure data transfer
- Many analytical possibilities as result of large application database
- Large, global, experienced support team

Hardware and software features

Simultaneous applications

Use one MAXUM edition II to provide the functionality of multiple GCs.

Parallel chromatography

Separate complex analytical tasks into simple parallel tasks and shorten analysis times.

Low operating costs

Flexible oven design enables low consumption of air and energy.

Process gas chromatography

MAXUM edition II

Application

Typical application examples

Chemical industry

- Monitoring of benzene in styrene in the ppb range
- Traces of residual gases in ultra-pure gases
- Determination of traces of hydrocarbons in air separation plants
- Fast analysis of CS₂ and H₂S in seconds
- Fast measurement of C6 to C8 aromatic compounds including the measurement of C9+ aromatics
- Monitoring of hydrogen in chlor-alkali plants
- Measurement of sulfurous components
- Measurement of C9 to C18 paraffins
- Determination of vinyl chloride in room air in a 60-second cycle
- Gas analysis during manufacture of vinyl chloride monomer (VCM)

Oil & gas

- Crack gas analysis
- Natural gas: Trace analysis for components such as mercaptans, H₂S or COS
- Fast determination of benzene in naphtha
- Determination of high boiling aromatics in a distillation fraction
- Fast measurement of acetylene in ethylene
- Total sulfur in petrol and diesel

Water/waste water

- Determination of halogenated hydrocarbons
- Simultaneous determination of chlorinated hydrocarbons, aromatics and alcohols in water
- Wastewater monitoring with PGC and stripper

Power engineering

- Power generation in coal-fired power plant

Automotive industry

- Fast analytical measurement of methane in car exhausts
- High-speed chromatography of small molecules in propellants

Design

A chromatographic measuring device consists of:

- Sampling matched to the application, sample preparation with switchover to various sample streams if necessary
- Gas chromatograph with analytical and electronic hardware as well as the measured value processing, operator control and communication software

The MAXUM edition II gas chromatograph is divided into three sections depending on the version:

- The upper section contains the electronics with the power supply, controllers and analog electronics
- The middle section contains the pneumatics and, in some cases, the detectors (not for MAXUM edition II modular oven version)
- The bottom section contains the oven and the complete analytical components responsible for the separation.

The MAXUM edition II is available in a version prepared for wall mounting and in a version for mounting on a free-standing rack.

Extension of functionality

Network Access Unit (NAU)

- A MAXUM edition II without analytical section
- Multiple slots for optional I/O plug-in cards
- Offers central MODBUS connection of several chromatographs to the control system

Function

Supply with carrier gas, combustion gas and auxiliary gases

A gas chromatograph must be supplied with carrier gas and, if applicable, combustion gas and other auxiliary gases depending on the analytical configuration. The carrier gas is used to transport the sample through the analytical system. Auxiliary gases are used to operate valves, as combustion gases for flame ionization detectors, and to purge the oven.

Injection system

The injection system is the link between the continuous process stream and the discrete analytical process. It is responsible for injecting an exactly defined portion of the sample in a reproducible and pulsed manner (as far as possible) into the carrier gas stream.

The injection can be carried out in the conventional manner using valves or by means of a live injection:

- Gaseous samples (0.1 to 5 ml)
- Completely vaporizable liquid samples (0.1 to 10 µl)

Gas injection valves

Model 50 10-port valve:

- Combined gas injection and backflushing valve
- Activation by pressure on the diaphragm without moving parts
- Can be used as gas injection valve or for column switching (6-port connection)
- > 3 million switching cycles without maintenance

Model 11 6-port valve:

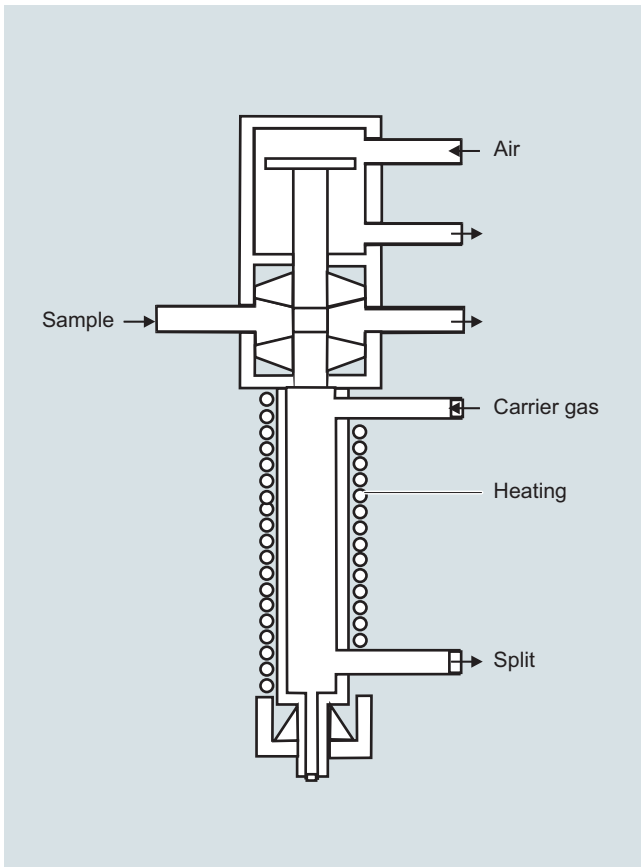
- Can be used as gas injection valve, liquid injection valve or for column switching
- Diaphragm controlled by tappet
- One million switching cycles without maintenance

Liquid injection valve FDV

With the liquid injection valve, a constant volume of a liquid sample can be automatically dosed and then quickly and completely vaporized. The valve can also be used to inject small volumes of gas.

The liquid injection valve consists of three sections:

- Thermostatically-controlled vaporization system
- Sample passage section with seal
- Pneumatic drive



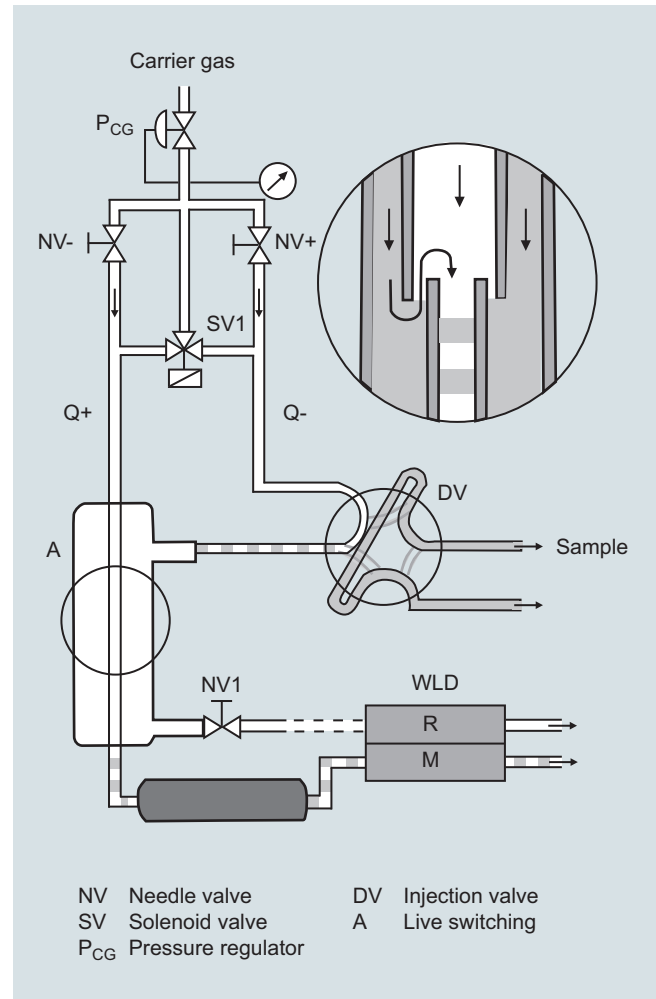
Liquid injection valve FDV

Features:

- Vaporization temperature 60 to 350 °C
- Injection volume 0.1 to 9.5 μl
- Sample temperature -20 to +150 °C
- Material of wetted parts: Stainless steel, mat. no. 1.4571, Hastelloy, Monel or special materials
- Control pressure 400 to 600 kPa
- Max. sample pressure 6 000 kPa, recommended 50 to 100 kPa
- Connections for pipe: 3.14 mm (1/8") outer diameter

Live injection add-on part

Flexible selection of the injection volume which is exactly matched to the analytical tasks and the requirements of the columns is possible with the live injection add-on part.



Live injection

Process gas chromatography

MAXUM edition II

Oven

A further important factor for the separating performance is the temperature. This has a very high influence on the vapor pressure of the individual components, and thus on the diffusion and the distribution equilibrium between the mobile and stationary phases in the column. This influences the retention times, and thus the performance capability of the MAXUM edition II. Therefore very high demands are placed on the temperature stability and repeatability of the oven and also on that of the injection equipment and the detectors.

Two different types of oven are available: Both types of oven are available as a single oven or double ovens.

Airless oven:

- For extremely stable isothermal oven temperatures (0.02 °C control accuracy)
- Depending on the version, up to 80 °C (modular oven) or up to 280 °C.

Airbath oven:

- For isothermal (5 to 225 °C) operation
- For temperature-programmed operation

With the dual ovens, two separate heating circuits provide independent oven temperatures. It is then possible to use two different temperatures for the respectively installed columns for one application or to carry out two or more applications in one chromatograph with different temperatures for the separation.

In order to measure sample components with highly different volatilities, a temperature program is frequently used for the chromatographic separation. This program continuously increases the temperature of the separation columns at a configurable heating-up rate during the analytical process. This method (PTGC) is available with the MAXUM edition II.

The internal oven consists of a chamber with low thermal capacity located within the standard oven. The oven contains the capillary separating column used for the separation.

The ovens have separate, independent temperature control. The temperature of the internal oven is freely-programmable. The temperature changes according to the time-dependent profile assigned to the respective analysis. Up to three linear ramps and four constant periods can be configured.

Thus, it is possible to determine components with low and high boiling points in one analysis. Existing laboratory applications can be opened up by PTGC for use in the process industry.

"Simulated distillation" is an important application of PTGC in refineries. The distillation range - a quality criterion for fuels - is chromatographically traced "online".

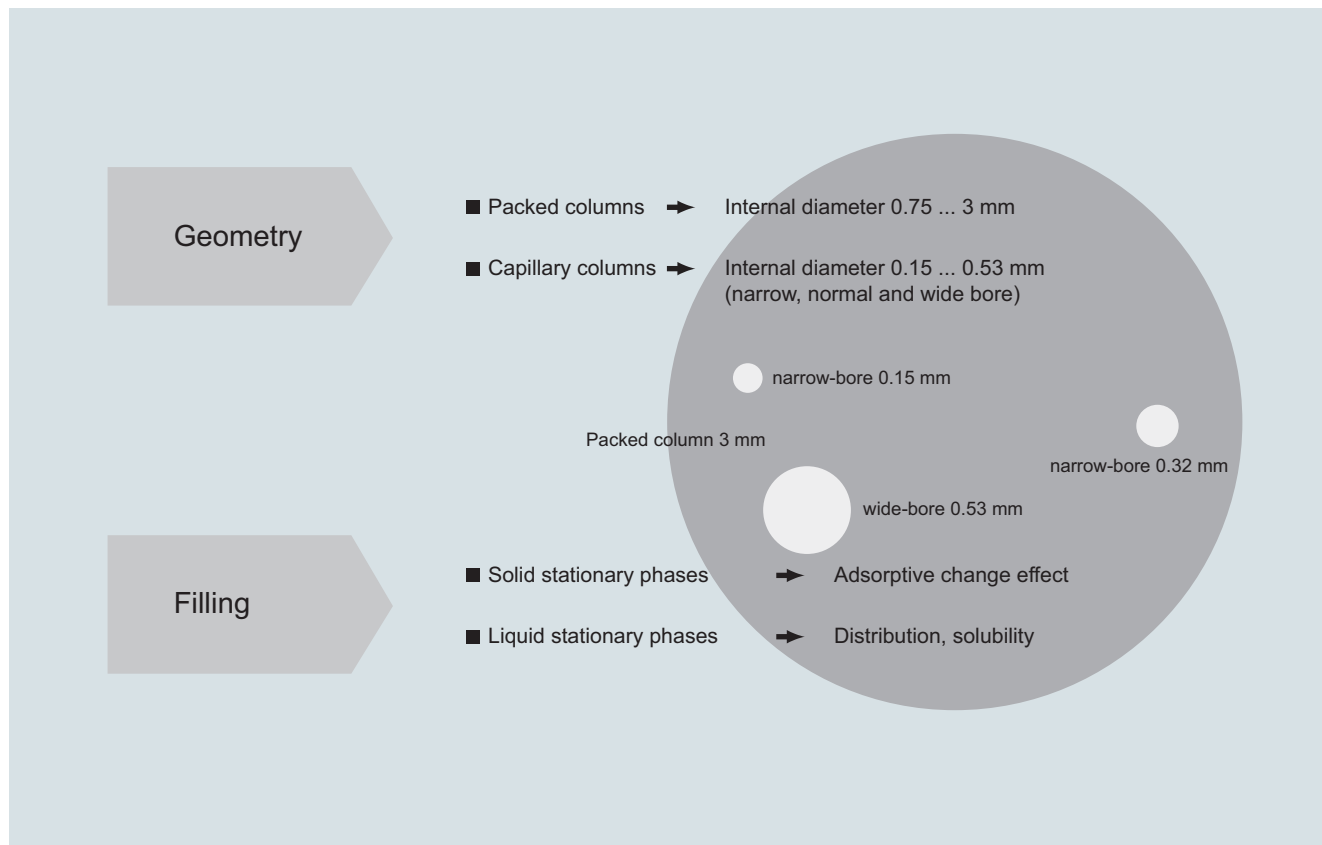
Columns

The columns are the central component of the chromatograph. They resolve the gas mixture or the vaporized liquid into its individual components. The following distinction is made:

- Packed/micropacked columns with inner diameter of 0.75 to 3 mm
- Capillary columns with inner diameter of 0.15 to 0.53 mm

Packed columns are mechanically stable and simple to handle. Capillary columns have a significantly higher separating performance, often with a shorter analysis period and lower analysis temperature.

3



Types of column

Column switching systems

Process chromatographs are almost always equipped with column switching functions. Column switching is understood to be the combination of several columns in the carrier gas path which are arranged in succession or parallel. These columns usually have different separating performances, and are interconnected by valves for switching over the gas path. A distinction is made between backflushing, cut and distribution.

A wide range of techniques is available for column switching.

The techniques comprise highly stable membrane gas valves, membrane piston valves, sliding vane rotary valves and also valveless switching techniques.

Valves

Model 50 10-port valve:

- Combined gas injection and backflushing valve
- Activation by pressure on the diaphragm without moving parts
- Switches gas samples at an overpressure of 0 to 500 kPa
- Can be used as gas injection valve or for column switching (6-port connection)
- > 3 million switching cycles without maintenance

Model 11 6-port valve:

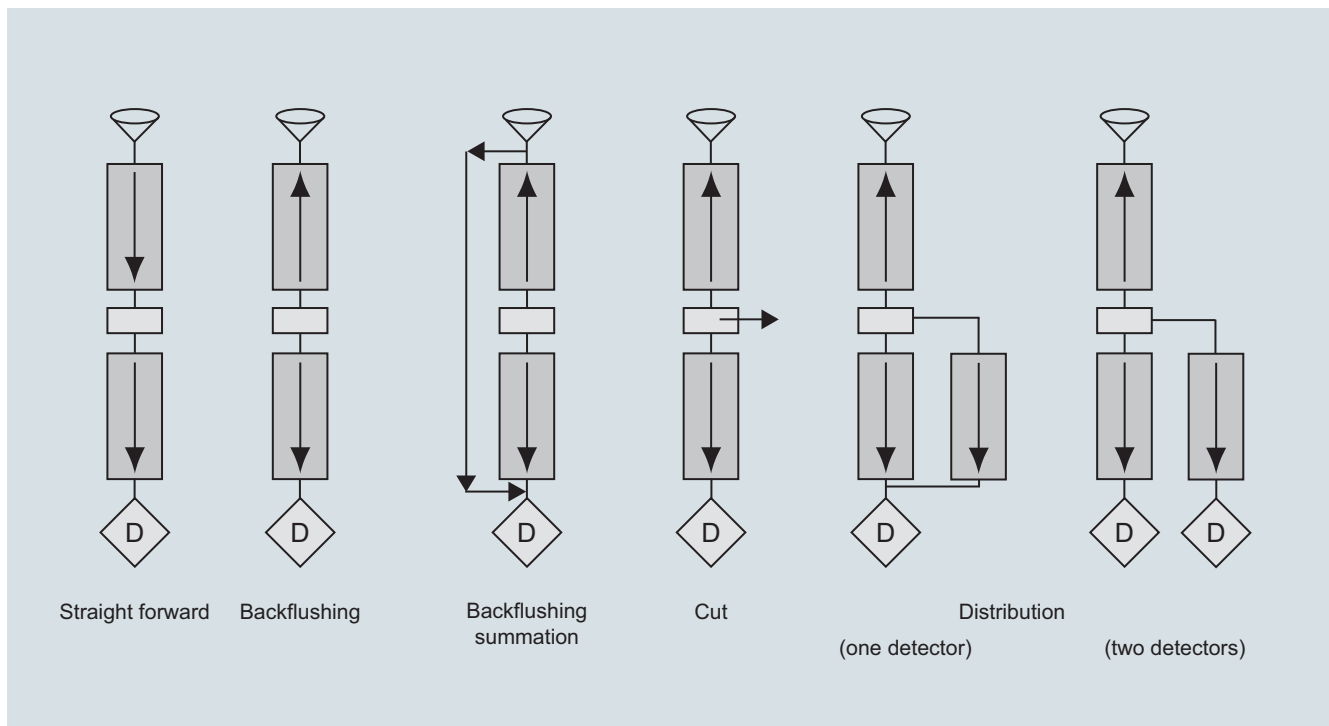
- Can be used as gas injection valve, liquid injection valve or for column switching
- Diaphragm controlled by tappet
- One million switching cycles without maintenance

Valveless switching technique

The valveless live column switching is exactly controlled by electronic pressure regulators, and prevents falsification of results since the sample does not come into contact with valves. A special pressure-controlled coupling element connects the capillary columns.

This technique is optimally suitable for capillary columns, and offers the best long-term stability and reliability. Live column switching is a technique where backflushing, cut or distribution is carried out on two different columns without any switching of valves or other moving components in the separation path.

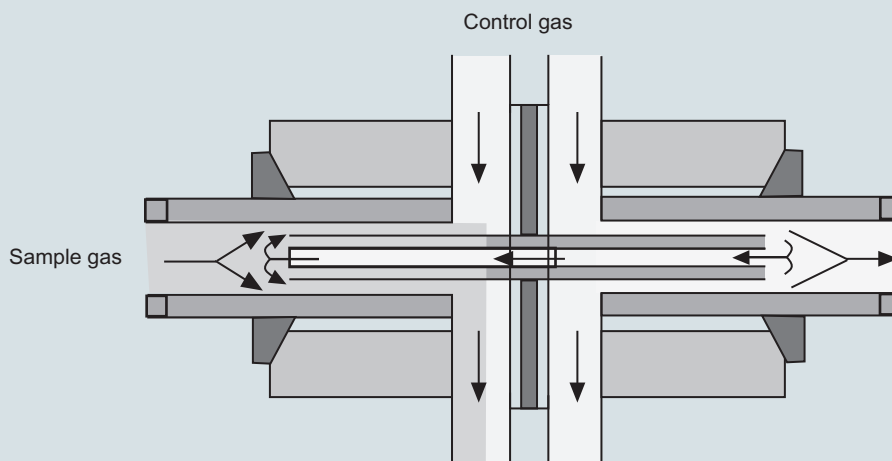
This is achieved using a unique coupling unit, the live T-piece. Its function is based on pressure difference control regulated by the electronic precision pressure controllers of the MAXUM edition II. Because there is no dead volume whatsoever, it is ideally suitable for the low flow rates used with capillary columns. Maintenance of the column switching configuration is then superfluous, the separating performance is improved, and complicated separating procedures are simplified.



Column switching systems (examples)

Process gas chromatography

MAXUM edition II



Live switching

Solenoid valve control module

- Contains all control elements in one module in order to reduce downtimes during repairs to a minimum
- Has 3-way and 4-way distributors for control of many different types of valve
- Uses separate, plug-on pipe connectors to permit implementation of variable gas supplies

Electronic pressure controller module (EPC)

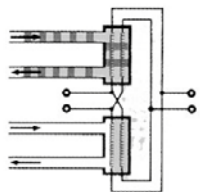
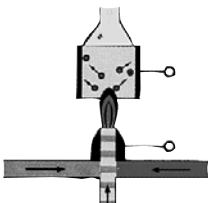
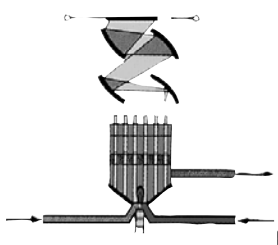
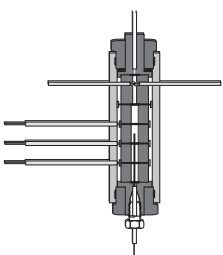
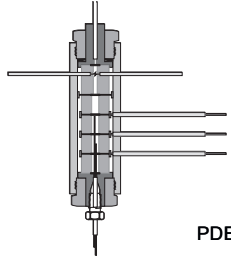
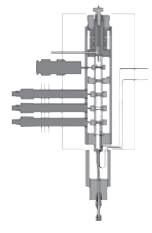
- Permits exact control of pressure without mechanical pressure regulator. Shortens the setup time since the pressure is set by an operator input.
- Permits programmable pressure changes for fast chromatography and modern applications.
- Controls the supply of carrier gas and combustion gas. Avoids drift and deviations which can occur with mechanical pressure control.

Detectors

Thermal conductivity detectors (TCD) and flame ionization detectors (FID) are mainly used in process chromatography. Specific detectors such as flame photometer detector (FPD), electron capture detector (ECD), photo-ionization detector (PID), or helium ionization detector (HID) are used to a lesser extent.

The detector modules described above can be combined together in many different ways in the MAXUM edition II.

- A maximum of three detector modules can be used in the airbath oven.
- Up to three modules (depending on the type) can be used in the airless oven, the dual airless oven and the ovens with temperature programming.
- Thermal conductivity detectors (TCD) are used in the modular oven system.
- In the case of multiple modules such as the TCD, the measuring cells can be operated independent of one another in parallel at staggered times, for example, to increase the number of analyses per time unit.
- Multiple modules can each be used with a column system for one sample stream. This shortens the total cycle time with multi-stream applications.
- Parallel use of two identical column systems provides redundant measurements which can be compared with each other, thus reducing the necessity for calibration.

Detector	Measured value dependent on:	Selectivity	Application example
 <p>WLD</p>	Concentration	Universal	Main and subsidiary components
 <p>FID</p>	Mass flow	Thermally ionizable components at < 1 000 °C	Hydrocarbons
 <p>FPD</p>	Mass flow	Substances containing S or P	Traces of sulfur in HC matrices
 <p>PDHID</p>	Mass flow	Universal (except He and Ne)	Ultra-pure gas analysis
 <p>PDECID</p>	Mass flow	Molecules with electronegative groups	Traces of halogenated hydrocarbons
 <p>PDPID</p>	Mass flow	Selective, dependent on ionization potential	Traces of aromatic compounds, amines

Suitable detectors for process gas chromatography

Process gas chromatography

MAXUM edition II

Thermal conductivity detectors (TCD)

The measuring principle of the TCD is based on the difference between the thermal conductivity of a pure carrier gas stream and that of a gas mixture containing carrier gas and a component eluted from the column. Therefore all components whose thermal conductivity differs from that of the pure carrier gas can be detected by a TCD.

TCDs always consist of one to three measuring cells and one or two reference cells which are electrically heated and contain wire resistors or thermistors connected in a Wheatstone bridge.

The amount of heat transferred to the cells is the same as long as pure carrier gas flows through the measuring and reference cells. The resistances are therefore also very similar, and the bridge resistors are balanced. If a mixture of carrier gas and sample component flows through the sample chamber, the change in thermal conductivity of the gas mixture also changes the amount of heat transferred and thus the temperature and resistance of the heating wires or thermistors in the sample chamber.

The resulting offset in the bridge circuit is directly proportional to the current concentration of the sample component in the carrier gas stream.

Versions of TCDs:

- Thermistor detector
- Filament detector

Both detectors are available for universal use, and the filament detector can also be used at higher temperatures. The thermistor detector is available as a block with 6 measuring detectors and two reference detectors. The filament detector has a measuring cell and a reference cell.

Flame ionization detector (FID)

With the flame ionization detector (FID), the gas leaving the column is burnt in a constantly burning hydrogen flame. If this gas mixture contains thermally ionizable components, such as flammable organic compounds, ions are thermally generated during the combustion. These ions can transport a charge, the conductivity of the gas in the vicinity of the flame changes (increases). In order to measure the conductivity or the number of ions, these can be collected at an electrode.

For this purpose, an electrode voltage is applied between the nozzle from which the flame burns and the electron collector positioned above it.

The resulting current is amplified, and is the measured signal.

In contrast to the TCD (concentration-dependent signal), the signal with the FID is proportional to the mass flow of the components.

The FID features a linear range of 6 to 7 powers of ten, and permits detection limits of less than 0.1 ppm (referred e.g. to the concentration of the hydrocarbon in the sample). Non-flammable components or those that are very difficult to thermally ionize (e.g. inert gases and water), or components that do not thermally ionize at approx. 1 700°C, cannot be measured with the FID.

In addition to the carrier gas, hydrogen and air are required as the flame gases to operate this detector.

Flame photometer detector (FPD)

Further detector principles are used for determination of trace concentrations of specific components. For example, the flame photometer detector is used to determine traces of compounds containing sulfur or phosphorus. The emission of light of characteristic wavelengths is measured when burning the substances in a reducing hydrogen flame.

Pulsed discharge detector (PDD)

The detector can be used in three different versions: HID (helium ionization detector), ECD (electron capture detector) and PID (photo ionization detector). Installation in the Maxum GC is possible without further modification, and the detector can only be used in non-hazardous areas. The PDD uses stable, pulsed DC discharges in helium as the ionization source. The detector's performance data is equal to or better than that of detectors which use radioactive ionization sources. Since a radioactive source is not used, the expensive requirements for radiation protection are not relevant for the customer.

- PDHID (helium ionization detector)
The PDHID works almost destruction-free with an ionization rate of 0.01 to 0.1 %, and has a high sensitivity. The sensitivity for organic components is linear over five orders of magnitude, and the detection limit is in the low ppb range. The PDHID can be used universally for organic and inorganic components, with the exception of helium and neon.
- PDECD (electron capture detector)
In electron capture mode, sample components with a high electron affinity can be selectively detected, such as halogenated hydrocarbons. It is necessary to use a supplementary gas in this mode (recommended: 3 % xenon in helium).
- PDPID (photo ionization detector)
A supplementary gas must also be used in this mode. Addition of 1-3 vol. % of argon, krypton or xenon to the auxiliary gas leads to kinetic excitation of the added gas. The detector is used in this configuration for selective detection of aliphatic compounds, aromatic compounds and amines. The selectivity or the energy level can be determined through the choice of added gas. The sensitivity in this mode is limited to sample components whose ionization potential is below the kinetic emission energy of the added gas.

Accessories: Catalytic air purifier

Instrument air is usually contaminated by traces of hydrocarbons. If this air is used as combustion air for a flame ionization detector (FID), these impurities are evident as interference noise.

The catalytic air purifier eliminates interfering impurities of hydrocarbons in the combustion air for the FID detector. The products of the catalytic oxidation (H₂O, CO₂) have no influence on the detector. Use of the catalytic air purifier significantly reduces the noise. It has a flameproof housing and is therefore explosion-proof.

The air within the purifier is passed through a spiral lined with palladium. This metal spiral is heated up to approx. 600 °C. Palladium has a high activity at this temperature, and almost complete catalytic oxidation is achieved despite the short dwell time. The air subsequently passes through a cooling loop, and is output purified and cooled.

Parallel chromatography

Divides a complex application into several single sub-applications that are analyzed in parallel. This reduces the cycle times.

The hardware and software of the MAXUM edition II allows a complex chromatographic analysis to be divided into several single analyses. Each of these simple analyses can then be simultaneously executed in parallel. This not only simplifies the complete analysis, it can also be carried out faster and with greater reliability. In addition, maintenance of the simplified analyses is easier and faster.

State-of-the-art communication

TCP/IP communication and standard Ethernet hardware mean that MAXUM edition II is compatible with many networks.

Software

For simple operation and maintenance, the MAXUM edition II offers an online software system with local operation over an HMI and a flexible graphical user interface accessible via a computer workstation.

The online software system is installed in every MAXUM edition II or NAU and includes:

- Embedded EZChrom analysis
- Embedded MaxBasic in the runtime version
- Communications software, network software, I/O driver in order to operate the gas chromatograph

The Gas Chromatograph Portal PC workstation software comprises:

MAXUM edition II workstation tools:

- NetworkView to provide an overview of the network
- Method builder
- MMI maintenance panel emulator
- Data logger
- Modbus utility
- Backup and restore utilities
- Online system download utilities
- Online help and documentation

and optional packages for individual ordering, e.g.:

- MaxBasic editor
- Simulated distillation method
- OPC communications server

Application

Certain parameters must be adhered to during method development and subsequent operation of the MAXUM edition II. It can then be determined qualitatively whether the task is fulfilled. The basic prerequisite for this is that all components can be detected and clearly isolated from the interfering components. Important parameters are: Analysis period, measuring ranges, detection limits and repeatability of the results.

Process gas chromatography

MAXUM edition II

Technical specifications

MAXUM edition II classic oven

General information

Smallest measuring ranges (depending on application)	<ul style="list-style-type: none"> • Thermal conductivity: 0 ... 20 ppm • Flame ionization: 0 ... 1 ppm
Temperature range in oven	Application-specific, temperature class-dependent 5 ... 330 °C depending on oven version and temperature class
Temperature control	± 0.02 °C
EMI/RFI design	<ul style="list-style-type: none"> • CE-compatible; certified according to 2014/30/EU (EMC directive) • CE-compatible; certified according to 2014/35/EU (low-voltage directive) • Tested according to EN 61010-1 / IEC 1010-1
Calibration	Comparative measurement with external standard Manual or automatic Automatic baseline correction Standard sample cylinder (single or multipoint calibration possible)
<ul style="list-style-type: none"> • Type • Zero value • Span 	
Dimensions	
<ul style="list-style-type: none"> • Height • Width • Depth 	1 053.6 mm 752 mm 417.4 mm
Weight	77 kg (application-dependent)
Degree of protection	IP54, Category 2
Danger class	Standard configurations: <ul style="list-style-type: none"> • Certified according to ATEX with air or nitrogen purging for Zones 1 and 2 (II2G Ex ... IIB + H₂ ... Gb) • Suitable for use in non-hazardous areas and with non-dangerous conditions • Certified according to CSA C/US for use in Class 1, Div. 1, Groups B, C, D with air or nitrogen purging. • Certified according to CSA C/US for use in Class 1, Div. 2, Groups B, C, D.
	Important note! Use in non-hazardous areas requires purging of the electronics area with air or nitrogen. PDD is not certified for hazardous areas.

Configuration

Oven options	<ul style="list-style-type: none"> • Single isothermal oven or divided oven with two independent isothermal zones • Single oven or two independent airless ovens. The dual version has two separate oven areas with separate doors which operate completely independently. • Temperature-programmable oven (PTGC)
Detector modules	<ul style="list-style-type: none"> • Thermal conductivity • Flame ionization • Flame photometry • Helium ionization • Photo ionization and electron capture
Number of detector modules	<ul style="list-style-type: none"> • 1, 2 or 3 in any combination of types for airbath ovens (max. 2 FPDs) • 1 or 2 in any combination of types for airless ovens, up to 3 in special configurations
Sampling and column valves	<ul style="list-style-type: none"> • Diaphragm valves • Diaphragm piston valves • Sliding vane rotary valves, slider valves, or liquid injection valve
Valveless option	Live switching
Columns	Packed, micropacked or capillary columns
Regulation of gas supply	Up to 8 electronic pressure regulator channels and up to 6 mechanical pressure regulators

Electrical characteristics

Auxiliary power	<ul style="list-style-type: none"> • Single-phase AC, 100 ... 130 V or 195 ... 260 V (selectable), 47 ... 63 Hz • Single oven: max. 14 A • Dual oven: 2 circuits, max. 14 A each
-----------------	---

Gas inlet conditions

Sample flow	5 ... 100 ml/min (depending on application)
Sample filter size	0.1 ... 5 µm for gaseous samples depending on valve type
Minimum sample pressure	35 kPa, standard
Maximum sample pressure	200 kPa standard, higher pressure as option
Maximum sample temperature	121 °C standard; higher temperature as option
Materials wetted by sample	Stainless steel and Teflon; other materials as option

Liquid injection (valve)

Vaporization temperature	60 ... 350 °C depending on application and temperature class
Injection volume	0.1 ... 9.5 µl
Sample temperature	-20 ... +150 °C
Material of wetted parts	Stainless steel, mat. no. 1.4571, Hastelloy, Monel or special materials
Control pressure	400 ... 600 kPa
Sample pressure	Max. 6 000 kPa, recommended 50 ... 100 kPa
Connections for pipe	3.14 mm (1/8") outer diameter

Measuring response		Climatic conditions	
Sensitivity (depending on application)	± 0.5 % of span	Ambient temperature	-18 ... 50 °C depending on application
Linearity (depending on application)	± 2 % of span	Gas supply	
Effects of vibrations	Negligible	Instrument air	<ul style="list-style-type: none"> At least 350 kPa for units with valves Model 11 or Valco At least 825 kPa for units with valves Model 50 At least 175 kPa for airbath ovens; 85 l/min per oven
Repeatability in % of full span	2 ... 100 %: ± 0.5 %; 0.05 ... 2 %: ± 1 %; 50 ... 500 ppm: ± 2 %; 5 ... 50 ppm: ± 3 %; 0.5 ... 5 ppm: ± 5 %	Carrier gas	<ul style="list-style-type: none"> Hydrogen, nitrogen, helium, argon or synthetic air in compressed gas cylinder, purity 99.999 % (depending on application). Typical consumption quantity: 5 ... 100 l/month per detector module
Detection limits	See "Detectors"	Combustion gas	<ul style="list-style-type: none"> Hydrogen with a purity of 99.999 % Typical consumption quantity: 30 ... 50 ml/min/FID, approx. 100 ml/min/FPD
Influencing variables		Combustion air	<ul style="list-style-type: none"> Synthetic air: Hydrocarbon-free Typical consumption quantity: 400 ml/min/FID, approx. 100 ml/min/FPD
Effects of ambient temperature	None with electronic pressure control Different effects with mechanical pressure control (depending on application)	Corrosion protection	<ul style="list-style-type: none"> Purging with dry air to protect the electronics Airbath oven with stainless steel lining Airless oven made of aluminum Steel lining painted on outside (epoxy powder coating)
Electrical inputs and outputs		Communication	
Standard inputs and outputs	2 analog outputs 4 digital outputs <ul style="list-style-type: none"> 1 digital output for indication of system faults 3 digital outputs are user configurable 4 digital inputs	Serial output	RS 232, RS 485, e.g. Modbus
Card slots for optional inputs and outputs via internal I2C bus	2	Ethernet	<ul style="list-style-type: none"> Standard 10/100 BaseT Ethernet with 4 RJ45 connectors e.g. Modbus TCP/IP or OPC Optional ESBF board fiber-optic 100Base FX multimode with ST connection (3 x RJ 45 and 1 x optical)
Input and output cards	A IO 8 <ul style="list-style-type: none"> 8 analog outputs 8 analog inputs 2 digital inputs D IO <ul style="list-style-type: none"> 6 digital inputs and 8 digital outputs AD I/O <ul style="list-style-type: none"> 4 digital inputs and 4 digital outputs 4 analog inputs and 4 analog outputs 		
Digital inputs	Optocoupler with internal power supply (12 ... 24 V DC): <ul style="list-style-type: none"> Mode 1: switchable by floating contacts Mode 2: switchable by external power supply 12 ... 24 V DC (only floating relay contacts) Mode 3: external power supply, negative connection linked to ground, for a specific digital input 		
Digital outputs	Floating changeover contacts, max. contact rating: <ul style="list-style-type: none"> 1 A for 30 V DC A freewheeling diode should be used for inductive loads.		
Analog inputs	-20 ... +20 mA in 50 Ω or -10 ... +10 V $R_{in} = 0.1 \text{ M}\Omega$, mutually isolated up to 10 V		
Analog outputs	0/4 ... 20 mA in max. 750 Ω, common negative pole, electrically isolated from ground; freely-connectable to ground		
Termination	<ul style="list-style-type: none"> Syscon-based I/O: Screw terminal for shielded or solid cable with a maximum area of 16 AWG or 1.5 mm² Expansion board-based I/O: Screw terminal for shielded or solid cable with a maximum area of 18 AWG or 0.82 mm² 		

Process gas chromatography

MAXUM edition II

MAXUM edition II modular oven

General information

Smallest measuring ranges (depending on application)	<ul style="list-style-type: none"> • Only for gaseous sample • Thermal conductivity: 0 ... 200 ppm
Temperature range in oven	Application-specific, depending on temperature class, 60 ... 80 °C depending on application
Temperature control	± 0.02 °C
EMI/RFI design	<ul style="list-style-type: none"> • CE-compatible; certified according to 2014/30/EU (EMC directive) • CE-compatible; certified according to 2014/35/EU (low-voltage directive) • Tested according to EN 61010-1 / IEC 1010-1
Calibration	Comparative measurement with external standard Manual or automatic Automatic baseline correction Standard sample cylinder (single or multipoint calibration possible)
<ul style="list-style-type: none"> • Type • Zero value • Span 	
Dimensions	
<ul style="list-style-type: none"> • Height • Width • Depth 	729.9 mm 752 mm 415.9 mm
Weight	60 kg (application-dependent)
Degree of protection	IP54, Category 1
Danger class	Standard configurations: <ul style="list-style-type: none"> • Certified according to ATEX and IEC Ex with air or nitrogen purging for Zones 1 and 2 (II2G Ex ... IICT 4 Gb) • Suitable for use in non-hazardous areas and with non-dangerous conditions • Certified according to CSA C/US for use in Class 1, Div. 1, Groups B, C, D with air or nitrogen purging. • Certified according to CSA C/US for use in Class 1, Div. 2, Groups B, C, D. <p>Important note! Use in non-hazardous areas requires purging of the electronics area with air or nitrogen.</p>

Configuration

Oven options	<ul style="list-style-type: none"> • Single oven or two independent airless ovens. • Optionally small oven for one small analytical module, large oven for two small analytical modules or one large analytical module. • Two small ovens, two large ovens or any combination of 2 ovens is possible. • Each dual oven version has two separate oven areas with separate doors which operate completely independently.
Detector module, type	Thermal conductivity
Detectors	One 4-cell TCD for small analytical modules and one or two 4-cell TCD for large analytical modules
Sampling and column valves	<ul style="list-style-type: none"> • 1 diaphragm valve model 50 (M50) in small analytical module • 1, 2 or 3 x M50 with 1 x M50 in large analytical module
Columns	Packed, micropacked or metal capillary columns
Regulation of gas supply	Up to 6 electronic pressure regulator channels and up to 4 mechanical pressure regulators

Electrical characteristics

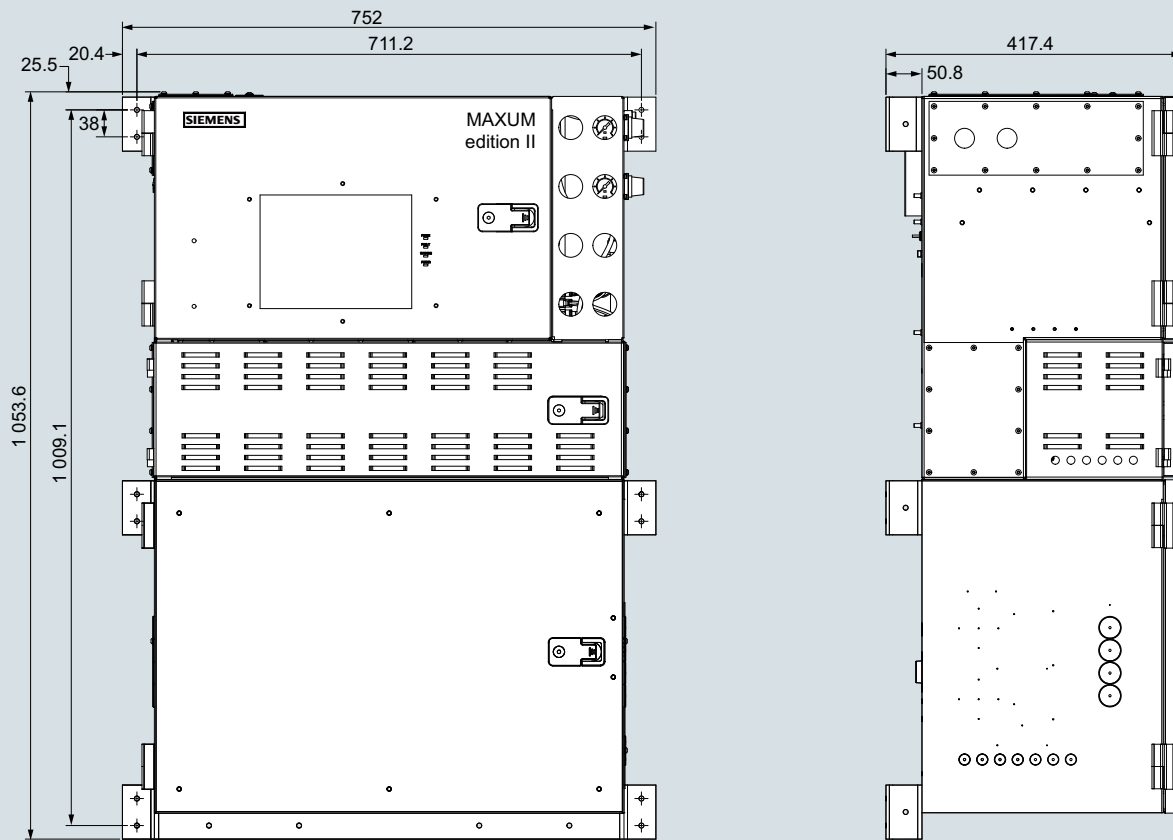
Auxiliary power	<ul style="list-style-type: none"> • Single-phase AC, 85 ... 264 V, 47 ... 63 Hz • Max. 655 VA, nominal 280 VA <p>Optional</p> <ul style="list-style-type: none"> • 24 V DC ± 10 % 10 A with 32 V voltage limitation • Max. 100 mV residual ripple and interferences minimum to maximum at 20 MHz • Fuse protection with max. 20 A • External 24 V supply must accept minus to ground
Gas inlet conditions	
Sample flow	5 ... 100 ml/min (depending on application)
Sample filter size	0.1 µm for gaseous samples
Minimum sample pressure	35 kPa, standard
Maximum sample pressure	200 kPa standard, higher pressure as option
Maximum sample temperature	80 °C maximum; higher temperature as option
Materials wetted by sample	Stainless steel, aluminum, Viton, polyimide and Teflon
Measuring response	
Sensitivity (depending on application)	± 0.5 % of span
Linearity (depending on application)	± 2 % of span
Effects of vibrations	Negligible
Repeatability in % of full span	2 ... 100 %: ± 0.5 %; 0.05 ... 2 %: ± 1 %; 50 ... 500 ppm: ± 2 %; 5 ... 50 ppm: ± 3 %; 0.5 ... 5 ppm: ± 5 %
Detection limits	See "Detectors"
Influencing variables	
Effects of ambient temperature	None with electronic pressure control Different effects with mechanical pressure control (depending on application)
Electrical inputs and outputs	
Standard inputs and outputs	2 digital outputs <ul style="list-style-type: none"> • 1 digital output for indication of system faults • 1 digital output is user configurable 2 serial outputs <ul style="list-style-type: none"> • 1 x RS 232/RS 485 • 1 x RS 485
Card slots for optional inputs and outputs via internal I2C bus	2
Input and output cards	A IO 8 <ul style="list-style-type: none"> • 8 analog outputs • 8 analog inputs • 2 digital inputs D IO <ul style="list-style-type: none"> • 6 digital inputs and 8 digital outputs AD I/O <ul style="list-style-type: none"> • 4 digital inputs and 4 digital outputs • 4 analog inputs and 4 analog outputs
Digital inputs	Optocoupler with internal power supply (12 ... 24 V DC): <ul style="list-style-type: none"> • Mode 1: switchable by floating contacts • Mode 2: switchable by external power supply 12 ... 24 V DC (only floating relay contacts) • Mode 3: external power supply, negative connection linked to ground, for a specific digital input

Digital outputs	<p>Floating changeover contacts, max. contact rating:</p> <ul style="list-style-type: none"> • 1 A for 30 V DC <p>A freewheeling diode should be used for inductive loads.</p>
Analog inputs	<p>-20 ... +20 mA in 50 Ω or</p> <p>-10 ... +10 V $R_{in} = 0.1 \text{ M}\Omega$, mutually isolated up to 10 V</p>
Analog outputs	<p>0/4 ... 20 mA in max. 750 Ω, common negative pole, electrically isolated from ground; freely-connectable to ground</p>
Termination	<ul style="list-style-type: none"> • Syscon-based I/O: Screw terminal for shielded or solid cable with a maximum area of 16 AWG or 1.5 mm² • Expansion board-based I/O: Screw terminal for shielded or solid cable with a maximum area of 18 AWG or 0.82 mm²
Climatic conditions	
Ambient temperature	-18 ... 50 °C (depending on application)
Gas supply	
Instrument air	At least 825 kPa for units with Model 50-type valves
Carrier gas	<ul style="list-style-type: none"> • Hydrogen, nitrogen, helium, argon or synthetic air in compressed gas cylinder, purity 99.999 %, or hydrogen with a purity of 99.999 % (depending on application). • Typical consumption quantity: 5 ... 100 l/month per detector module
Corrosion protection	<ul style="list-style-type: none"> • Purging with dry air to protect the electronics • Airbath oven with stainless steel lining • Airless oven made of aluminum • Steel lining painted on outside (epoxy powder coating)
Communication	
Serial output	<p>2 outputs</p> <ul style="list-style-type: none"> • Port 1: RS 232/RS 485 can be selected • Port 2: Only RS 485 possible
Ethernet	<ul style="list-style-type: none"> • Standard 10/100 BaseT Ethernet with 4 RJ45 connectors e.g. Modbus TCP IP or OPC • Optional ESBF board fiber-optic 100Base FX multimode with ST connection (3 x RJ 45 and 1 x optical)

Process gas chromatography

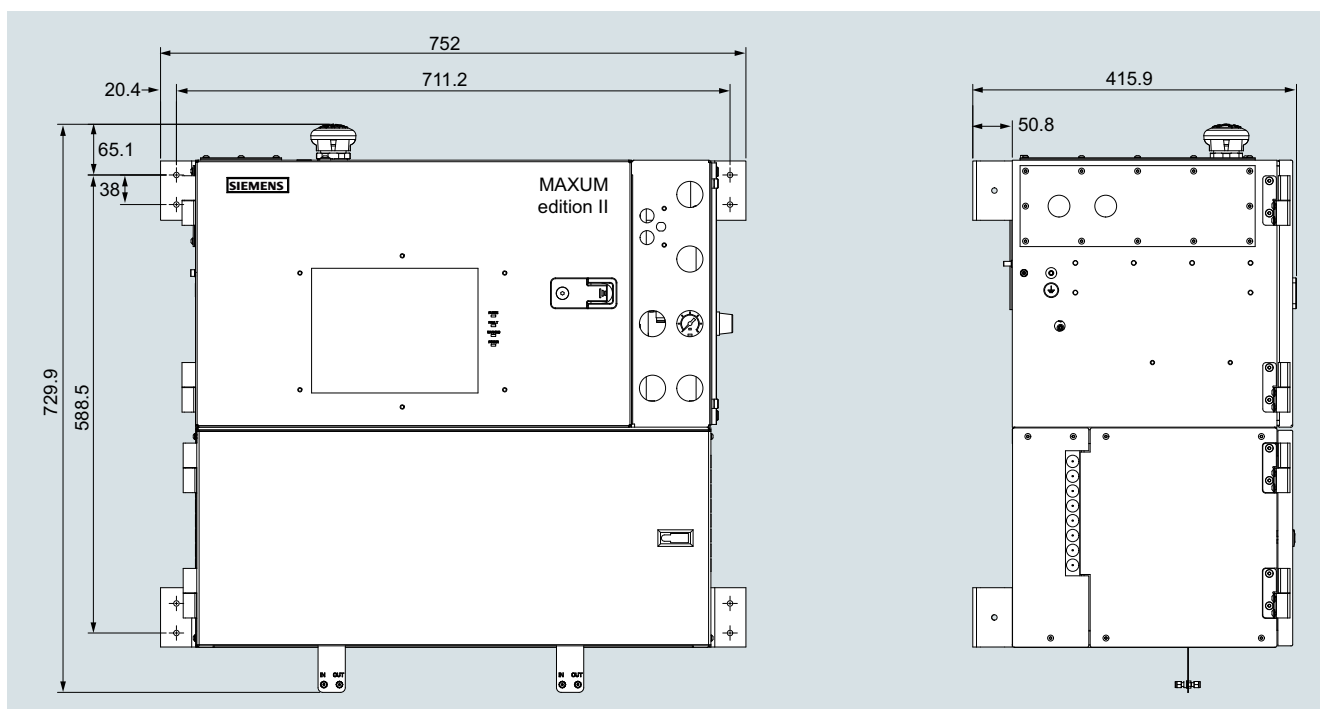
MAXUM edition II

Dimensional drawings



MAXUM edition II airless/airbath oven, dimensions in mm

3



MAXUM edition II modular oven, dimensions in mm

More information

Please contact your Siemens sales partner to order a device.