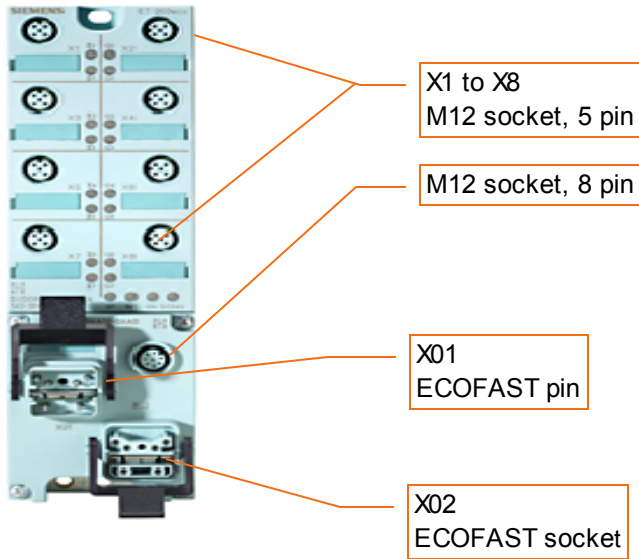


ET 200eco		
Electronic modules digital		Order number
8 DI DC 24V; 8 XM12		6ES7141-3BF00-0XA0
16 DI DC 24V; 8 XM12		6ES7141-3BH00-0XA0
8 DO DC 24V/2A; 8 XM12		6ES7142-3BF00-0XA0
16 DO DC 24V/0,5A; 8 XM12		6ES7142-3BH00-0XA0
8 DI / 8 DO DC 24V/1,3A; 8 XM12		6ES7143-3BH10-0XA0
8 DI / 8 DO DC 24V/2A; 8 XM12		6ES7143-3BH00-0XA0

Connection module		Order number
Connection module ECOFAST		6ES7194-3AA00-0AA0

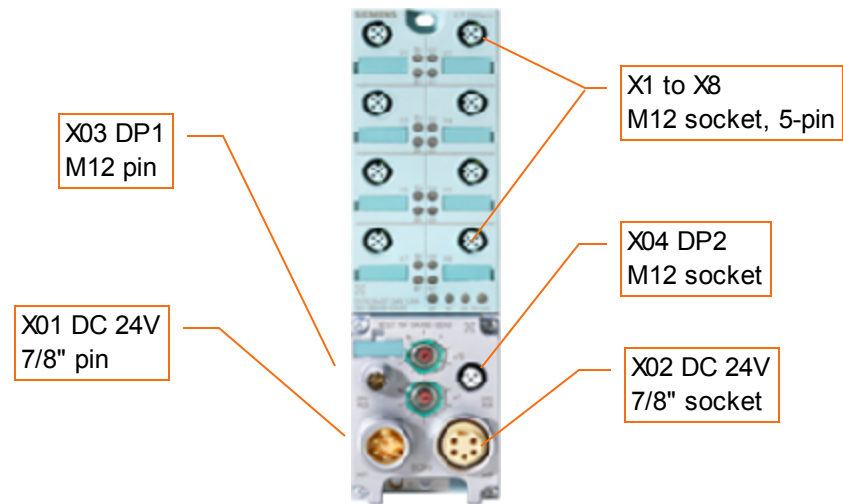
Electronic modules with connection module ECOFAST



Interfaces		Order number
X1 to X8 (M12 socket, 5-pin)		
Non-assembled connectors		
M12 connector, 5-pin, max. 0,75mm ² , screw terminals		3RK1902-4BA00-5AA0
M12 connector angled, 5-pin, max. 0,75mm ² , screw terminals		3RK1902-4DA00-5AA0

Connection module		Order number
Connection module M12, 7/8"		6ES7194-3AA00-0BA0

Electronic modules with connection module M12, 7/8"



Interfaces		Order number
X1 to X8 (M12 socket, 5-pin)		
Non-assembled connectors		
M12 connectors, 5-pin, max. 0,75mm ² , screw terminals		3RK1902-4BA00-5AA0
M12 connector angled, 5-pin, max. 0,75mm ² , screw terminals		3RK1902-4DA00-5AA0

This entry is from the Service&Support portal of Siemens AG, Sector Industry, Industry Automation and Drive Technologies. The general terms of use (http://www.siemens.com/terms_of_use) apply.

Pre-assembled cables			Pre-assembled cables		
M12 connecting cable (PUR sheath), pre-assembled at both ends with socket and plug connector, 3 x 0,34 mm ²	1,5 m	3RK1902-4PB15-3AA0	M12 connecting cable (PUR sheath), pre-assembled at both ends with socket and pin connector, 3 x 0,34 mm ²	1,5 m	3RK1902-4PB15-3AA0
M12 connecting cable (PUR sheath), 5 x 0,34mm ² , pre-assembled at one end with socket (one end socket, one end open cable)	1,5 m	3RK1902-4HB15-5AA0	M12 connecting cable (PUR sheath), 5 x 0,34mm ² , pre-assembled at one end with socket (one end socket, one end open cable)	1,5 m	3RK1902-4HB15-5AA0
	5 m	3RK1902-4HB50-5AA0		5 m	3RK1902-4HB50-5AA0
	10 m	3RK1902-4HC01-5AA0		10 m	3RK1902-4HC01-5AA0
Miscellaneous			Miscellaneous		
M12 cover caps		3RX9 802-0AA00	M12 cover caps		3RX9802-0AA00
M12 cover caps		3RK1901-1KA00	M12 cover caps		3RK1901-1KA00
Y cable for dual connection of I/Os		6ES7194-6KA00-0XA0	Y cable for dual connection of I/Os		6ES7194-6KA00-0XA0
Y connector for dual connection of actuators and sensors		6ES7194-1KA01-0XA0	Y connector for dual connection of actuators and sensors		6ES7194-1KA01-0XA0
X01 ECOFAST (pin)			X01 DC 24V 7/8" (pin)		
Non-assembled connectors			Non-assembled connectors		
PROFIBUS ECOFAST Hybrid Plug 180 with socket insert		6GK1905-0CB00	7/8" plug-in connector 180 with socket insert		6GK1905-0FB00
PROFIBUS ECOFAST Hybrid Plug angled with socket insert		6GK1905-0CD00	7/8" plug-in connector angled with socket insert		3RK1902-3DA00
Non-assembled cables			Non-assembled cable		
PROFIBUS ECOFAST Hybrid Cable, trailing cable (PUR sheath)	20m	6XV1830-7AN20	Energy Cable, trailable, 5 x 1,5 mm ²		6XV1830-8AH10
	50m	6XV1830-7AN50			
	100m	6XV1830-7AT10			
PROFIBUS ECOFAST Hybrid Cable, trailing cable (PUR sheath), sold by the meter		6XV1830-7AH10	7/8" connecting cable for supplying trailable energy cable, 5 x 1,5 mm ² , pre-assembled at both ends with 7/8" connectors 180 (one end socket, one end pin)	0,3m	6XV1822-5BE30
PROFIBUS ECOFAST Hybrid Cable GP, trailing cable (PVC sheath)	20m	6XV1860-4PN20		0,5m	6XV1822-5BE50
	50m	6XV1860-4PN50		1,0m	6XV1822-5BH10
	100m	6XV1860-4PT10		1,5 m	6XV1822-5BH15
PROFIBUS ECOFAST Hybrid Cable GP, trailing cable (PVC sheath), sold by the meter		6XV1860-2P		2,0 m	6XV1822-5BH20
				3,0 m	6XV1822-5BH30
				5,0 m	6XV1822-5BH50
Pre-assembled cables				10,0 m	6XV1822-5BN10
PROFIBUS ECOFAST Hybrid Cable, trailing cable (PUR sheath), pre-assembled at both ends with ECOFAST Hybrid Plug 180 (one end socket, one end pin)	0,5 m	6XV1830-7BH05		15,0 m	6XV1822-5BN15
	1,0 m	6XV1830-7BH10		7/8" connecting cable for supplying trailable energy cable, 5 x 1,5 mm ² , pre-assembled at both ends with 7/8" connectors, angled (one end socket, one end pin)	1,5 m
	1,5 m	6XV1830-7BH15	2,0 m		6XV1822-5BH20-0SB0 ¹⁾
	3,0 m	6XV1830-7BH30	3,0 m		3RK1902-3NB30
	5,0 m	6XV1830-7BH50	5,0 m		3RK1902-3NB50
	10,0 m	6XV1830-7BN10	10,0 m		3RK1902-3NC10
	15,0 m	6XV1830-7BN15	15,0 m		6XV1822-5BN15-0SB0 ¹⁾
	20,0 m	6XV1830-7BN20			

This entry is from the Service&Support portal of Siemens AG, Sector Industry, Industry Automation and Drive Technologies.

	25,0 m	6XV1830-7BN25	7/8" connecting cable for supplying trailable energy cable, 5 x 1,5 mm ² , pre-assembled at one end with 7/8" connector, angled (one end sockt, one end open cable)	3,0 m	3RK1902-3GB30
	30,0 m	6XV1830-7BN30		5,0 m	3RK1902-3GB50
	35,0 m	6XV1830-7BN35		10,0 m	3RK1902-3GC10
	40,0 m	6XV1830-7BN40			
	45,0 m	6XV1830-7BN45			
	50,0 m	6XV1830-7BN50			
PROFIBUS ECOFAST Hybrid Cable GP, trailing cable (PVC sheath), pre-assembled at both ends with ECOFAST Hybrid Plug 180 (one end socket, one end pin)	X02 DC 24V 7/8" (socket)				
	Non-assembled connectors				
	0,5 m	6XV1860-3PH05			
	1,0 m	6XV1860-3PH10	7/8" connector 180 with pin insert		6GK1905-0FA00
	1,5 m	6XV1860-3PH15	7/8" connector angled with pin insert		3RK1902-3BA00
	Non-assembled cable				
	3,0 m	6XV1860-3PH30	Energy Cable, trailable, 5 x 1,5 mm ²		6XV1830-8AH10
	Pre-assembled cables				
	5,0 m	6XV1860-3PH50	7/8" connecting cable for supplying trailable energy cable,	0,3m	6XV1822-5BE30
	10,0 m	6XV1860-3PN10	5 x 1,5 mm ² , pre-assembled at both ends with 7/8" connectors 180 (one end socket, one end pin)	0,5m	6XV1822-5BE50
	15,0 m	6XV1860-3PN15		1,0m	6XV1822-5BH10
	20,0 m	6XV1860-3PN20		1,5 m	6XV1822-5BH15
	25,0 m	6XV1860-3PN25		2,0 m	6XV1822-5BH20
	30,0 m	6XV1860-3PN30		3,0 m	6XV1822-5BH30
	35,0 m	6XV1860-3PN35		5,0 m	6XV1822-5BH50
40,0 m	6XV1860-3PN40		10,0 m	6XV1822-5BN10	
45,0 m	6XV1860-3PN45		15,0 m	6XV1822-5BN15	
50,0 m	6XV1860-3PN50				
X02 ECOFAST (socket)					
Non-assembled connectors					
PROFIBUS ECOFAST Hybrid Plug 180 with pin insert		6GK1905-0CA00	7/8" connecting cable for supplying trailable energy cable, 5 x 1,5 mm ² , pre-assembled at both ends with 7/8" connectors, angled (one end socket, one end pin)	1,5 m	6XV1822-5BH15-0SB0 ¹⁾
PROFIBUS ECOFAST Hybrid Plug angled with pin insert		6GK1905-0CC00		2,0 m	6XV1822-5BH20-0SB0 ¹⁾
PROFIBUS ECOFAST Hybrid Plug with pin insert, internal terminating resistor	1 piece	6GK1905-0DA10		3,0 m	3RK1902-3NB30
	5 pieces	6GK1905-0DA00		5,0 m	3RK1902-3NB50
				10,0 m	3RK1902-3NC10
Non-assembled cables					
				15,0 m	6XV1822-5BN15-0SB0 ¹⁾
PROFIBUS ECOFAST Hybrid Cable, trailing cable (PUR sheath)	20m	6XV1830-7AN20	Miscellaneous		
	50m	6XV1830-7AN50	7/8" cover caps		6ES7194-3JA00-0AA0
	100m	6XV1830-7AT10	X03 DP1 (M12 pin)		
PROFIBUS ECOFAST Hybrid Cable, trailing cable (PUR sheath), sold by the meter		6XV1830-7AH10	Non-assembled connectors		
PROFIBUS ECOFAST Hybrid Cable GP, trailing cable (PVC sheath)	20m	6XV1860-4PN20	PROFIBUS M12 connector 180 with socket insert		6GK1905-0EB00
	50m	6XV1860-4PN50	PROFIBUS M12 connector fast connect 180 with socket insert		6GK1905-0EB10
	100m	6XV1860-4PT10	Non-assembled cables		

This entry is from the Service&Support portal of Siemens AG, Sector Industry, Industry Automation and Drive Technologies.

PROFIBUS ECOFAST Hybrid Cable GP, trailing cable (PVC sheath), sold by the meter		6XV1860-2P	PROFIBUS FC cable			
Pre-assembled cables			- FC Standard Cable		6XV1830-0EH10	
PROFIBUS ECOFAST Hybrid Cable, trailing cable (PUR sheath), pre-assembled at both ends with ECOFAST Hybrid Plug 180 (one end socket, one end pin)	0,5 m	6XV1830-7BH05	- FC Trailing Cable		6XV1830-3EH10	
	1,0 m	6XV1830-7BH10	- FC Food Cable (PE sheath)		6XV1830-0GH10	
	1,5 m	6XV1830-7BH15	- FC Robust Cable (PUR sheath)		6XV1830-0JH10	
	3,0 m	6XV1830-7BH30	- FC FRNC Cable (FRNC sheath)		6XV1830-0LH10	
	5,0 m	6XV1830-7BH50	- FC Underground Cable		6XV1830-3FH10	
	10,0 m	6XV1830-7BN10	- Festoon Cable GP (PVC sheath)		6XV1830-3GH10	
	15,0 m	6XV1830-7BN15	- FC Flexible Cable GP (PUR sheath)		6XV1831-2K	
	20,0 m	6XV1830-7BN20	Pre-assembled cables			
	25,0 m	6XV1830-7BN25	PROFIBUS M12 connecting cable, trailable, pre-assembled at both ends with PROFIBUS M12 connectors 180 (one end socket, one end pin)	0,3m	6XV1830-3DE30	
	30,0 m	6XV1830-7BN30		0,5m	6XV1830-3DE50	
	35,0 m	6XV1830-7BN35		1,0m	6XV1830-3DH10	
	40,0 m	6XV1830-7BN40		1,5 m	6XV1830-3DH15	
	45,0 m	6XV1830-7BN45		2,0 m	6XV1830-3DH20	
	50,0 m	6XV1830-7BN50		3,0 m	6XV1830-3DH30	
		5,0 m		6XV1830-3DH50		
		10,0 m		6XV1830-3DN10		
PROFIBUS ECOFAST Hybrid Cable GP, trailing cable (PVC sheath), pre-assembled at both ends with ECOFAST Hybrid Plug 180 (one end socket, one end pin)	15,0 m	6XV1860-3PH15		15,0 m	6XV1830-3DN15	
	3,0 m	6XV1860-3PH30	PROFIBUS M12 connecting cable, trailable, pre-assembled at both ends with PROFIBUS M12 connectors angled (one end socket, one end pin)	1,5 m	6XV1830-3DH15-0SB0 ¹⁾	
	5,0 m	6XV1860-3PH50		2,0 m	6XV1830-3DH20-0SB0 ¹⁾	
	10,0 m	6XV1860-3PN10		3,0 m	3RK1902-1NB30	
	15,0 m	6XV1860-3PN15		5,0 m	3RK1902-1NB50	
	20,0 m	6XV1860-3PN20		10,0 m	3RK1902-1NC10	
	25,0 m	6XV1860-3PN25		15,0 m	6XV1830-3DN15-0SB0 ¹⁾	
	30,0 m	6XV1860-3PN30	X04 DP2 (M12 socket)			
	35,0 m	6XV1860-3PN35	Non-assembled connectors			
	40,0 m	6XV1860-3PN40	PROFIBUS M12 connectors 180 with pin insert		6GK1905-0EA00	
	45,0 m	6XV1860-3PN45	PROFIBUS M12 connectors fast connect 180 with pin insert		6GK1905-0EA10	
	50,0 m	6XV1860-3PN50	Non-assembled cables			
	Miscellaneous			PROFIBUS FC cable		
	ECOFAST terminating resistor for PROFIBUS-DP	1 piece	6GK1905-0DA10	- FC Standard Cable		6XV1830-0EH10
5 pieces		6GK1905-0DA00	- FC Trailing Cable		6XV1830-3EH10	

ECOFAST cover caps		6ES7194-1JB10-0XA0	- FC Food Cable (PE sheath)		6XV1830-0GH10
M12 socket, 8-pin			- FC Robust Cable (PUR sheath)		6XV1830-0JH10
Configuration plug for setting the PROFIBUS address		6ES7194-1KB00-0XA0	- FC FRNC Cable (FRNC sheath)		6XV1830-0LH10
			- FC Underground Cable		6XV1830-3FH10
			- Festoon Cable GP (PVC sheath)		6XV1830-3GH10
			- FC Flexible Cable GP (PUR sheath)		6XV1831-2K
			Pre-assembled cables		
			PROFIBUS M12 connecting cable, trailable, pre-assembled at both ends with PROFIBUS M12 connectors 180 (one end socket, one end pin)	0,3m	6XV1830-3DE30
				0,5m	6XV1830-3DE50
				1,0m	6XV1830-3DH10
				1,5 m	6XV1830-3DH15
				2,0 m	6XV1830-3DH20
				3,0 m	6XV1830-3DH30
				5,0 m	6XV1830-3DH50
				10,0 m	6XV1830-3DN10
				15,0 m	6XV1830-3DN15
			PROFIBUS M12 connecting cable, trailable, pre-assembled at both ends with PROFIBUS M12 connectors angled (one end socket, one end pin)	1,5 m	6XV1830-3DH15-0SB0 ¹⁾
				2,0 m	6XV1830-3DH20-0SB0 ¹⁾
				3,0 m	3RK1902-1NB30
				5,0 m	3RK1902-1NB50
				10,0 m	3RK1902-1NC10
				15,0 m	6XV1830-3DN15-0SB0 ¹⁾
			Miscellaneous		
			M12 cover caps		3RX9802-0AA00
			M12 cover caps		3RK1901-1KA00
			M12 terminating resistor for PROFIBUS-DP	5 pieces	6GK1905-0EC00

¹⁾ Ordering with ORG-ID: 1000153