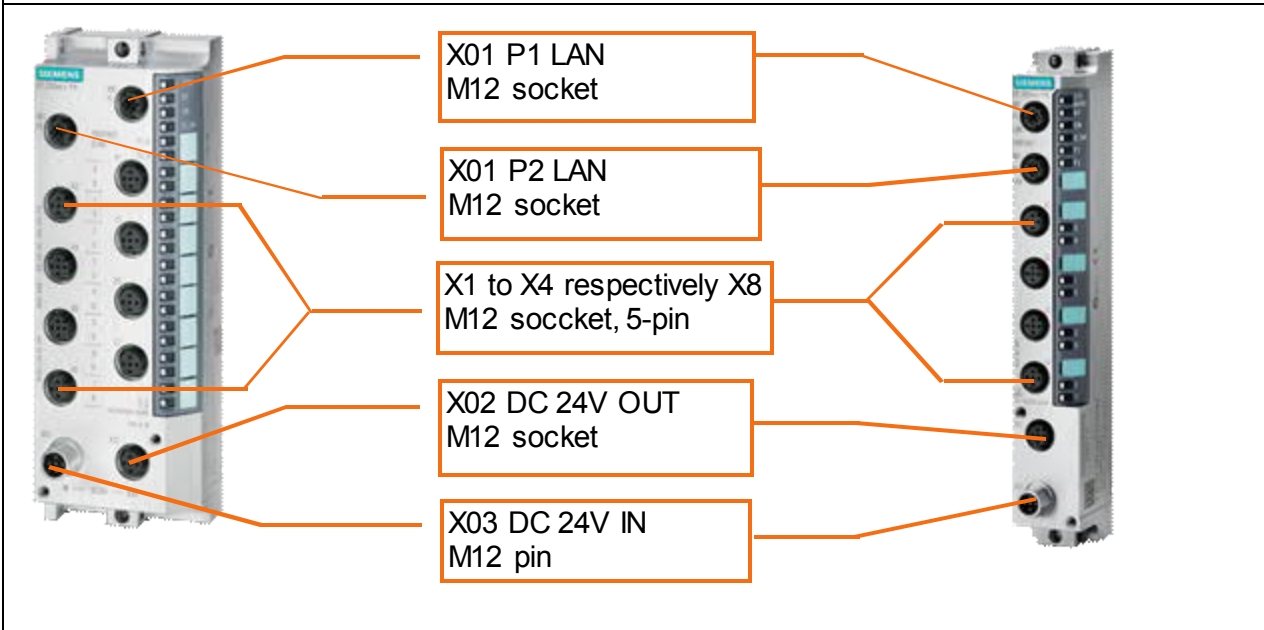


ET 200eco PN

| Elektronic modules digital | Article number |
|--|--------------------|
| 8 DI DC 24V; 4 X M12 | 6ES7141-6BF00-0AB0 |
| 8 DI DC 24V; 8 X M12 | 6ES7141-6BG00-0AB0 |
| 16 DI DC 24V; 8 X M12 | 6ES7141-6BH00-0AB0 |
| 8 DO DC 24V/0,5A; 4 X M12 | 6ES7142-6BF50-0AB0 |
| 8 DO DC 24V/1,3A; 4 X M12 | 6ES7142-6BF00-0AB0 |
| 8 DO DC 24V/1,3A; 8 X M12 | 6ES7142-6BG00-0AB0 |
| 8 DO DC 24V/2A; 8 X M12 | 6ES7142-6BR00-0AB0 |
| 16 DO DC 24V/1,3A; 8 X M12 | 6ES7142-6BH00-0AB0 |
| 8 DIO DC 24V/1,3A; 8 X M12 | 6ES7147-6BG00-0AB0 |
| IO-Link Master, 4IO-L + 8DI + 4DO DC 24V/1,3A; 8 X M12 | 6ES7148-6JA00-0AB0 |
| IO-Link Master, 4IO-L; 4 X M12 | 6ES7148-6JD00-0AB0 |



| Interfaces | Article number |
|---|--------------------|
| X1 P1 LAN (M12 socket) | |
| non-assembled connectors | |
| PROFINET M12 connector, d-coded with FastConnect system, 180° | |
| - 1 per pack | 6GK1901-0DB20-6AA0 |
| - 8 per pack | 6GK1901-0DB20-6AA8 |
| PROFINET M12 connector, d-coded with FastConnect system, 180° | |
| - 1 per pack | 6GK1901-0DB10-6AA0 |
| - 8 per pack | 6GK1901-0DB10-6AA8 |
| PROFINET M12 connector, d-coded, angled | 3RK1902-2DA00 |
| non-assembled cables | |
| PROFINET FC cable | |
| - FC TP Standard Cable | 6XV1840-2AH10 |
| - FC TP Trailing Cable | 6XV1840-3AH10 |

| | | |
|--|--------|--------------------|
| - FC TP Trailing Cable GP | | 6XV1870-2D |
| - FC TP Marine Cable | | 6XV1840-4AH10 |
| - FC TP Torsion Cable | | 6XV1870-2F |
| - FC TP Flexible Cable GP | | 6XV1870-2B |
| - FC TP FRNC Cable | | 6XV1871-2F |
| - FC TP Food Cable | | 6XV1871-2L |
| - FC TP Festoon Cable GP | | 6XV1871-2S |
| pre-assembled cables | | |
| PROFINET M12 trailable connecting cable, pre-assembled at both ends with M12 connectors 180° (pin) | 0,3 m | 6XV1870-8AE30 |
| | 0,5 m | 6XV1870-8AE50 |
| | 1,0 m | 6XV1870-8AH10 |
| | 1,5 m | 6XV1870-8AH15 |
| | 2,0 m | 6XV1870-8AH20 |
| | 3,0 m | 6XV1870-8AH30 |
| | 5,0 m | 6XV1870-8AH50 |
| | 10,0 m | 6XV1870-8AN10 |
| PROFINET M12 trailable connecting cable, pre-assembled at both ends with M12 connectors, angled (pin) | 0,3 m | 6XV1870-8GE30 |
| | 0,5 m | 6XV1870-8GE50 |
| | 1,0 m | 6XV1870-8GH10 |
| | 1,5 m | 6XV1870-8GH15 |
| | 2,0 m | 6XV1870-8GH20 |
| | 3,0 m | 6XV1870-8GH30 |
| | 5,0 m | 6XV1870-8GH50 |
| | 10,0 m | 6XV1870-8GN10 |
| IE FC Robust food cable GP 2x2, with 2 M12 connectors (d-coded) | 1,0 m | 6XV1881-5AH10 |
| | 2,0 m | 6XV1881-5AH20 |
| | 3,0 m | 6XV1881-5AH30 |
| | 5,0 m | 6XV1881-5AH50 |
| PROFINET M12 trailable connecting cable, pre-assembled at one end with M12 connector, angled (pin), other end open cable | 3,0 m | 3RK1902-2HB30 |
| | 5,0 m | 3RK1902-2HB50 |
| | 10,0 m | 3RK1902-2HC10 |
| PROFINET M12 trailable connecting cable, pre-assembled at one end with M12 connector 180° (pin), other end with RJ45 Plug 145° | 2,0 m | 6XV1871-5TH20 |
| | 3,0 m | 6XV1871-5TH30 |
| | 5,0 m | 6XV1871-5TH50 |
| | 10,0 m | 6XV1871-5TN10 |
| | 15,0 m | 6XV1871-5TN15 |
| Miscellaneous | | |
| M12 cover caps | | 3RX9802-0AA00 |
| M12 cover caps | | 3RK1901-1KA00 |
| X01 P2 LAN (M12 socket) | | |
| non-assembled connectors | | |
| PROFINET M12 connector, d-coded with FastConnect system, 180° | | |
| - 1 per pack | | 6GK1901-0DB20-6AA0 |
| - 8 per pack | | 6GK1901-0DB20-6AA8 |
| PROFINET M12 connector, d-coded with FastConnect system, 180° | | |
| - 1 per pack | | 6GK1901-0DB10-6AA0 |
| - 8 per pack | | 6GK1901-0DB10-6AA8 |
| PROFINET M12 connector, d-coded, angled | | 3RK1902-2DA00 |

This entry is from the Service&Support portal of Siemens AG,
Siemens Industry Online Support.

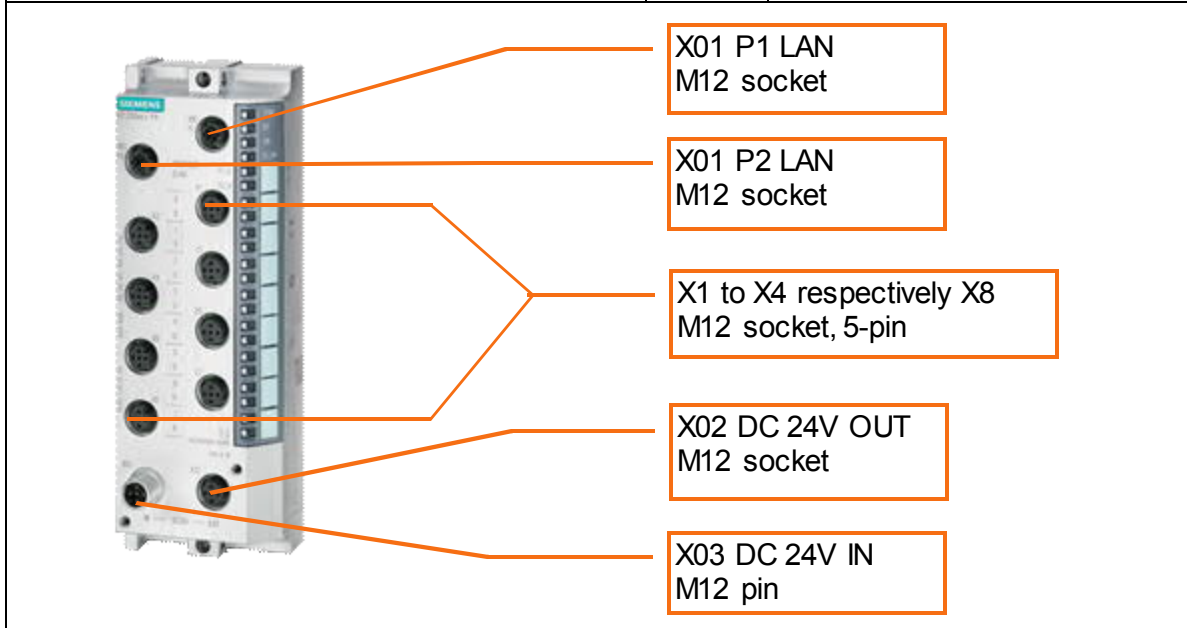
The general terms of use

| non-assembled cables | | |
|--|--------|---------------|
| PROFINET FC cable | | |
| - FC TP Standard Cable | | 6XV1840-2AH10 |
| - FC TP Trailing Cable | | 6XV1840-3AH10 |
| - FC TP Trailing Cable GP | | 6XV1870-2D |
| - FC TP Marine Cable | | 6XV1840-4AH10 |
| - FC TP Torsion Cable | | 6XV1870-2F |
| - FC TP Flexible Cable GP | | 6XV1870-2B |
| - FC TP FRNC Cable | | 6XV1871-2F |
| - FC TP Food Cable | | 6XV1871-2L |
| - FC TP Festoon Cable GP | | 6XV1871-2S |
| pre-assembled cables | | |
| PROFINET M12 trailable connecting cable, pre-assembled at both ends with M12 connectors 180° (pin) | 0,3 m | 6XV1870-8AE30 |
| | 0,5 m | 6XV1870-8AE50 |
| | 1,0 m | 6XV1870-8AH10 |
| | 1,5 m | 6XV1870-8AH15 |
| | 2,0 m | 6XV1870-8AH20 |
| | 3,0 m | 6XV1870-8AH30 |
| | 5,0 m | 6XV1870-8AH50 |
| | 10,0 m | 6XV1870-8AN10 |
| | 15,0 m | 6XV1870-8AN15 |
| PROFINET M12 trailable connecting cable, pre-assembled at both ends with M12 connectors, angled (pin) | 0,3 m | 6XV1870-8GE30 |
| | 0,5 m | 6XV1870-8GE50 |
| | 1,0 m | 6XV1870-8GH10 |
| | 1,5 m | 6XV1870-8GH15 |
| | 2,0 m | 6XV1870-8GH20 |
| | 3,0 m | 6XV1870-8GH30 |
| | 5,0 m | 6XV1870-8GH50 |
| | 10,0 m | 6XV1870-8GN10 |
| | 15,0 m | 6XV1870-8GN15 |
| IE FC Robust food cable GP 2x2, with 2 M12 connectors (d-coded) | 1,0 m | 6XV1881-5AH10 |
| | 2,0 m | 6XV1881-5AH20 |
| | 3,0 m | 6XV1881-5AH30 |
| | 5,0 m | 6XV1881-5AH50 |
| PROFINET M12 trailable connecting cable, pre-assembled at one end with M12 connector, angled (pin), other end open cable | 3,0 m | 3RK1902-2HB30 |
| | 5,0 m | 3RK1902-2HB50 |
| | 10,0 m | 3RK1902-2HC10 |
| PROFINET M12 trailable connecting cable, pre-assembled at one end with M12 connector 180° (pin), other end with RJ45 Plug 145° | 2,0 m | 6XV1871-5TH20 |
| | 3,0 m | 6XV1871-5TH30 |
| | 5,0 m | 6XV1871-5TH50 |
| | 10,0 m | 6XV1871-5TN10 |
| | 15,0 m | 6XV1871-5TN15 |
| Miscellaneous | | |
| M12 cover caps | | 3RX9802-0AA00 |
| M12 cover caps | | 3RK1901-1KA00 |

| X1 to X4 respectively X8 (M12 socket, 5-pin) | | |
|---|--------|--------------------|
| non-assembled connectors | | |
| M12 connector, 5-pin, max. 0,75mm ² , screw terminals | | 3RK1902-4BA00-5AA0 |
| M12 connector, 5-pin, angled, max. 0,75mm ² , screw terminals | | 3RK1902-4DA00-5AA0 |
| pre-assembled cables | | |
| M12 connecting cable (PUR sheath), pre-assembled at both ends with socket and plug connector, 3 x 0,34 mm ² | 1,5 m | 3RK1902-4PB15-3AA0 |
| | 5 m | 6GT2891-4MH50 |
| | 10 m | 6GT2891-4MN10 |
| M12 connecting cable (PUR sheath), 5 x 0,34 mm ² , pre-assembled at one end with socket (one end socket, one end open cable) | 1,5 m | 3RK1902-4HB15-5AA0 |
| | 5 m | 3RK1902-4HB50-5AA0 |
| | 10 m | 3RK1902-4HC01-5AA0 |
| Miscellaneous | | |
| M12 cover caps | | 3RX9802-0AA00 |
| M12 cover caps | | 3RK1901-1KA00 |
| Y cable for dual connection of I/O | | 6ES7194-6KA00-0XA0 |
| X02 DC 24V OUT (M12 socket) | | |
| non-assembled connectors | | |
| Terminal block, 10A cutter clamps | | 6ES7194-6CA00-0AA0 |
| Power M12 connector, 4-pin, a-coded, with pin insert | | 6GK1907-0DB10-6AA3 |
| Power M12 connector angled, 5-pin, a-coded, with pin insert | | 3RK1902-4DA00-5AA0 |
| pre-assembled cables | | |
| M12 connecting cable for supplying trailable energy cable, 5-pin, both ends with M12 connectors 180° (one end socket, one end pin) | 0,3 m | 6XV1801-5DE30 |
| | 0,5 m | 6XV1801-5DE50 |
| | 1,0 m | 6XV1801-5DH10 |
| | 1,5 m | 6XV1801-5DH15 |
| | 2,0 m | 6XV1801-5DH20 |
| | 3,0 m | 6XV1801-5DH30 |
| | 5,0 m | 6XV1801-5DH50 |
| | 10,0 m | 6XV1801-5DN10 |
| | 15,0 m | 6XV1801-5DN15 |
| Power Connecting Cable M12-90/M12-90 für power supply of ET 200, pre-assembled cable with M12 connector (pin) and M12 connector (socket), a-coded, 4-wire | 0,3 m | 6XV1801-5GE30 |
| | 0,5 m | 6XV1801-5GE50 |
| | 1,0 m | 6XV1801-5GH10 |
| | 1,5 m | 6XV1801-5GH15 |
| | 2,0 m | 6XV1801-5GH20 |
| | 3,0 m | 6XV1801-5GH30 |
| | 5,0 m | 6XV1801-5GH50 |
| | 10,0 m | 6XV1801-5GN10 |
| Robus power connecting cable M12-180/M12-180, IP69, to power supply of ET 200, pre-assembled cable with M12 connector, a-coded, 4-pole | 1,0 m | 6XV1801-5AH10 |
| | 2,0 m | 6XV1801-5AH20 |
| | 3,0 m | 6XV1801-5AH30 |
| | 5,0 m | 6XV1801-5AH50 |

| Miscellaneous | | |
|---|--------|--------------------|
| M12 cover caps | | 3RX9802-0AA00 |
| M12 cover caps | | 3RK1901-1KA00 |
| X03 DC 24V IN (M12 pin) | | |
| non-assembled connectors | | |
| Terminal block, 10A cutter clamps | | 6ES7194-6CA00-0AA0 |
| Power M12 connector, 4-pin, a-coded, with socket insert | | 6GK1907-0DC10-6AA3 |
| Power M12 connector angled, 4-pin, a-coded, with socket insert | | 3RK1902-4CA00-4AA0 |
| pre-assembled cables | | |
| M12 connecting cable for supplying trailable energy cable, 5-pin, both ends with M12 connectors 180° (one end socket, one end pin) | 0,3 m | 6XV1801-5DE30 |
| | 0,5 m | 6XV1801-5DE50 |
| | 1,0 m | 6XV1801-5DH10 |
| | 1,5 m | 6XV1801-5DH15 |
| | 2,0 m | 6XV1801-5DH20 |
| | 3,0 m | 6XV1801-5DH30 |
| | 5,0 m | 6XV1801-5DH50 |
| | 10,0 m | 6XV1801-5DN10 |
| | 15,0 m | 6XV1801-5DN15 |
| Power Connecting Cable M12-90/M12-90 für power supply of ET 200, pre-assembled cable with M12 connector (pin) and M12 connector (socket), a-coded, 4-wire | 0,3 m | 6XV1801-5GE30 |
| | 0,5 m | 6XV1801-5GE50 |
| | 1,0 m | 6XV1801-5GH10 |
| | 1,5 m | 6XV1801-5GH15 |
| | 2,0 m | 6XV1801-5GH20 |
| | 3,0 m | 6XV1801-5GH30 |
| | 5,0 m | 6XV1801-5GH50 |
| | 10,0 m | 6XV1801-5GN10 |
| Robus power connecting cable M12-180/M12-180, IP69, to power supply of ET 200, pre-assembled cable with M12 connector, a-coded, 4-pole | 1,0 m | 6XV1801-5AH10 |
| | 2,0 m | 6XV1801-5AH20 |
| | 3,0 m | 6XV1801-5AH30 |
| | 5,0 m | 6XV1801-5AH50 |

| Elektronik modules analog | Article number |
|--------------------------------|--------------------|
| 8 AI 4 U/I + 4 RTD/TC; 8 x M12 | 6ES7144-6KD00-0AB0 |
| 8 AI RTD/TC; 8 x M12 | 6ES7144-6KD50-0AB0 |
| 8 AO U/I; 4 x M12 | 6ES7145-6HD00-0AB0 |
| | |
| | |
| | |
| | |
| | |
| | |
| | |
| | |
| | |
| | |



| Interfaces | Article number |
|---|--------------------|
| X1 P1 LAN (M12 socket) | |
| non-assembled connectors | |
| PROFINET M12 connector, d-coded with FastConnect system, 180° | |
| - 1 per pack | 6GK1901-0DB20-6AA0 |
| - 8 per pack | 6GK1901-0DB20-6AA8 |
| PROFINET M12 connector, d-coded with FastConnect system, 180° | |
| - 1 per pack | 6GK1901-0DB10-6AA0 |
| - 8 per pack | 6GK1901-0DB10-6AA8 |
| PROFINET M12 connector, d-coded, angled | 3RK1902-2DA00 |
| non-assembled cables | |
| PROFINET FC cable | |
| - FC TP Standard Cable | 6XV1840-2AH10 |
| - FC TP Trailing Cable | 6XV1840-3AH10 |

| | | |
|--|--------|--------------------|
| - FC TP Trailing Cable GP | | 6XV1870-2D |
| - FC TP Marine Cable | | 6XV1840-4AH10 |
| - FC TP Torsion Cable | | 6XV1870-2F |
| - FC TP Flexible Cable GP | | 6XV1870-2B |
| - FC TP FRNC Cable | | 6XV1871-2F |
| - FC TP Food Cable | | 6XV1871-2L |
| - FC TP Festoon Cable GP | | 6XV1871-2S |
| pre-assembled cables | | |
| PROFINET M12 trailable connecting cable, pre-assembled at both ends with M12 connectors 180° (pin) | 0,3 m | 6XV1870-8AE30 |
| | 0,5 m | 6XV1870-8AE50 |
| | 1,0 m | 6XV1870-8AH10 |
| | 1,5 m | 6XV1870-8AH15 |
| | 2,0 m | 6XV1870-8AH20 |
| | 3,0 m | 6XV1870-8AH30 |
| | 5,0 m | 6XV1870-8AH50 |
| | 10,0 m | 6XV1870-8AN10 |
| PROFINET M12 trailable connecting cable, pre-assembled at both ends with M12 connectors, angled (pin) | 0,3 m | 6XV1870-8GE30 |
| | 0,5 m | 6XV1870-8GE50 |
| | 1,0 m | 6XV1870-8GH10 |
| | 1,5 m | 6XV1870-8GH15 |
| | 2,0 m | 6XV1870-8GH20 |
| | 3,0 m | 6XV1870-8GH30 |
| | 5,0 m | 6XV1870-8GH50 |
| | 10,0 m | 6XV1870-8GN10 |
| IE FC Robust food cable GP 2x2, with 2 M12 connectors (d-coded) | 1,0 m | 6XV1881-5AH10 |
| | 2,0 m | 6XV1881-5AH20 |
| | 3,0 m | 6XV1881-5AH30 |
| | 5,0 m | 6XV1881-5AH50 |
| PROFINET M12 trailable connecting cable, pre-assembled at one end with M12 connector, angled (pin), other end open cable | 3,0 m | 3RK1902-2HB30 |
| | 5,0 m | 3RK1902-2HB50 |
| | 10,0 m | 3RK1902-2HC10 |
| PROFINET M12 trailable connecting cable, pre-assembled at one end with M12 connector 180° (pin), other end with RJ45 Plug 145° | 2,0 m | 6XV1871-5TH20 |
| | 3,0 m | 6XV1871-5TH30 |
| | 5,0 m | 6XV1871-5TH50 |
| | 10,0 m | 6XV1871-5TN10 |
| | 15,0 m | 6XV1871-5TN15 |
| Miscellaneous | | |
| M12 cover caps | | 3RX9802-0AA00 |
| M12 cover caps | | 3RK1901-1KA00 |
| X01 P2 LAN (M12 socket) | | |
| non-assembled connectors | | |
| PROFINET M12 connector, d-coded with FastConnect system, 180° | | |
| - 1 per pack | | 6GK1901-0DB20-6AA0 |
| - 8 per pack | | 6GK1901-0DB20-6AA8 |
| PROFINET M12 connector, d-coded with FastConnect system, 180° | | |
| - 1 per pack | | 6GK1901-0DB10-6AA0 |
| - 8 per pack | | 6GK1901-0DB10-6AA8 |
| PROFINET M12 connector, d-coded, angled | | 3RK1902-2DA00 |

This entry is from the Service&Support portal of Siemens AG,
Siemens Industry Online Support.

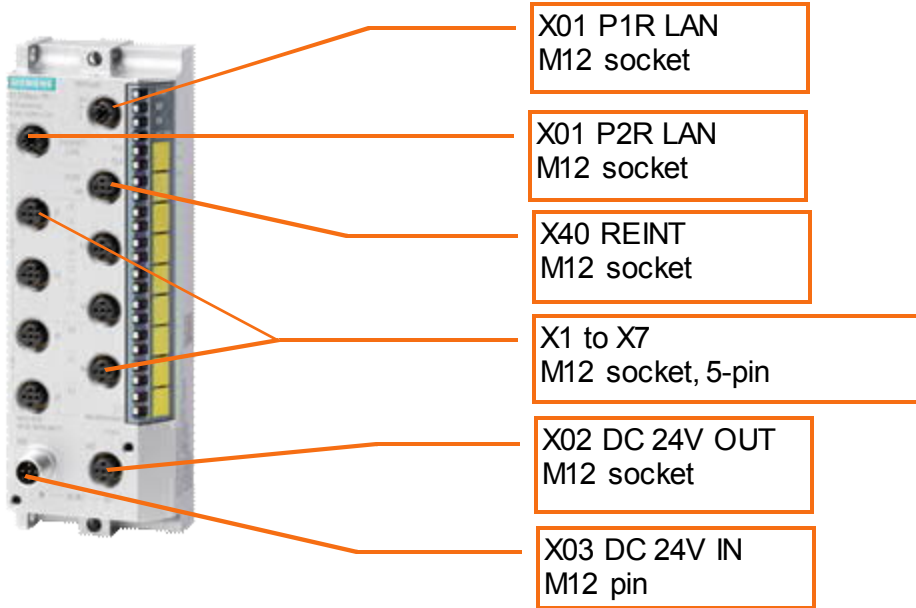
The general terms of use

| non-assembled cables | | |
|--|--------|---------------|
| PROFINET FC cable | | |
| - FC TP Standard Cable | | 6XV1840-2AH10 |
| - FC TP Trailing Cable | | 6XV1840-3AH10 |
| - FC TP Trailing Cable GP | | 6XV1870-2D |
| - FC TP Marine Cable | | 6XV1840-4AH10 |
| - FC TP Torsion Cable | | 6XV1870-2F |
| - FC TP Flexible Cable GP | | 6XV1870-2B |
| - FC TP FRNC Cable | | 6XV1871-2F |
| - FC TP Food Cable | | 6XV1871-2L |
| - FC TP Festoon Cable GP | | 6XV1871-2S |
| pre-assembled cables | | |
| PROFINET M12 trailable connecting cable, pre-assembled at both ends with M12 connectors 180° (pin) | 0,3 m | 6XV1870-8AE30 |
| | 0,5 m | 6XV1870-8AE50 |
| | 1,0 m | 6XV1870-8AH10 |
| | 1,5 m | 6XV1870-8AH15 |
| | 2,0 m | 6XV1870-8AH20 |
| | 3,0 m | 6XV1870-8AH30 |
| | 5,0 m | 6XV1870-8AH50 |
| | 10,0 m | 6XV1870-8AN10 |
| | 15,0 m | 6XV1870-8AN15 |
| PROFINET M12 trailable connecting cable, pre-assembled at both ends with M12 connectors, angled (pin) | 0,3 m | 6XV1870-8GE30 |
| | 0,5 m | 6XV1870-8GE50 |
| | 1,0 m | 6XV1870-8GH10 |
| | 1,5 m | 6XV1870-8GH15 |
| | 2,0 m | 6XV1870-8GH20 |
| | 3,0 m | 6XV1870-8GH30 |
| | 5,0 m | 6XV1870-8GH50 |
| | 10,0 m | 6XV1870-8GN10 |
| | 15,0 m | 6XV1870-8GN15 |
| IE FC Robust food cable GP 2x2, with 2 M12 connectors (d-coded) | 1,0 m | 6XV1881-5AH10 |
| | 2,0 m | 6XV1881-5AH20 |
| | 3,0 m | 6XV1881-5AH30 |
| | 5,0 m | 6XV1881-5AH50 |
| PROFINET M12 trailable connecting cable, pre-assembled at one end with M12 connector, angled (pin), other end open cable | 3,0 m | 3RK1902-2HB30 |
| | 5,0 m | 3RK1902-2HB50 |
| | 10,0 m | 3RK1902-2HC10 |
| PROFINET M12 trailable connecting cable, pre-assembled at one end with M12 connector 180° (pin), other end with RJ45 Plug 145° | 2,0 m | 6XV1871-5TH20 |
| | 3,0 m | 6XV1871-5TH30 |
| | 5,0 m | 6XV1871-5TH50 |
| | 10,0 m | 6XV1871-5TN10 |
| | 15,0 m | 6XV1871-5TN15 |
| Miscellaneous | | |
| M12 cover caps | | 3RX9802-0AA00 |
| M12 cover caps | | 3RK1901-1KA00 |

| | | |
|---|---------------|--------------------|
| X1 to X4 respectively X8 (M12 socket, 5-pin) | | |
| pre-assembled cables | | |
| M12 connecting cable, shielded | | (on request) |
| Miscellaneous | | |
| M12 cover caps | | 3RX9802-0AA00 |
| M12 cover caps | | 3RK1901-1KA00 |
| X02 DC 24V OUT (M12 socket) | | |
| non-assembled connectors | | |
| Terminal block, 10A cutter clamps | | 6ES7194-6CA00-0AA0 |
| Power M12 connector, 4-pin, a-coded, with pin insert | | 6GK1907-0DB10-6AA3 |
| Power M12 connector angled, 5-pin, a-coded, with pin insert | | 3RK1902-4DA00-5AA0 |
| pre-assembled cables | | |
| M12 connecting cable for supplying trailable energy cable, 5-pin, at both ends with M12 connectors 180° (one end socket, one end pin) | 0,3 m | 6XV1801-5DE30 |
| | 0,5 m | 6XV1801-5DE50 |
| | 1,0 m | 6XV1801-5DH10 |
| | 1,5 m | 6XV1801-5DH15 |
| | 2,0 m | 6XV1801-5DH20 |
| | 3,0 m | 6XV1801-5DH30 |
| | 5,0 m | 6XV1801-5DH50 |
| | 10,0 m | 6XV1801-5DN10 |
| | 15,0 m | 6XV1801-5DN15 |
| Power Connecting Cable M12-90/M12-90 für power supply of ET 200, pre-assembled cable with M12 connector (pin) and M12 connector (socket), a-coded, 4-wire | 0,3 m | 6XV1801-5GE30 |
| | 0,5 m | 6XV1801-5GE50 |
| | 1,0 m | 6XV1801-5GH10 |
| | 1,5 m | 6XV1801-5GH15 |
| | 2,0 m | 6XV1801-5GH20 |
| | 3,0 m | 6XV1801-5GH30 |
| | 5,0 m | 6XV1801-5GH50 |
| | 10,0 m | 6XV1801-5GN10 |
| 15,0 m | 6XV1801-5GN15 | |
| Robus power connecting cable M12-180/M12-180, IP69, to power supply of ET 200, pre-assembled cable with M12 connector, a-coded, 4-pole | 1,0 m | 6XV1801-5AH10 |
| | 2,0 m | 6XV1801-5AH20 |
| | 3,0 m | 6XV1801-5AH30 |
| | 5,0 m | 6XV1801-5AH50 |
| Miscellaneous | | |
| M12 cover caps | | 3RX9802-0AA00 |
| M12 cover caps | | 3RK1901-1KA00 |
| X03 DC 24V IN (M12 pin) | | |
| non-assembled connectors | | |
| Terminal block, 10A cutter clamps | | 6ES7194-6CA00-0AA0 |
| Power M12 connector, 4-pin, a-coded, with socket insert | | 6GK1907-0DC10-6AA3 |
| Power M12 connector angled, 4-pin, a-coded, with socket insert | | 3RK1902-4CA00-4AA0 |
| pre-assembled cables | | |

| | | |
|---|--------|---------------|
| M12 connecting cable for supplying trailable energy cable, 5-pin, at both ends with M12 connectors 180° (one end socket, one end pin) | 0,3 m | 6XV1801-5DE30 |
| | 0,5 m | 6XV1801-5DE50 |
| | 1,0 m | 6XV1801-5DH10 |
| | 1,5 m | 6XV1801-5DH15 |
| | 2,0 m | 6XV1801-5DH20 |
| | 3,0 m | 6XV1801-5DH30 |
| | 5,0 m | 6XV1801-5DH50 |
| | 10,0 m | 6XV1801-5DN10 |
| | 15,0 m | 6XV1801-5DN15 |
| Power Connecting Cable M12-90/M12-90 für power supply of ET 200, pre-assembled cable with M12 connector (pin) and M12 connector (socket), a-coded, 4-wire | 0,3 m | 6XV1801-5GE30 |
| | 0,5 m | 6XV1801-5GE50 |
| | 1,0 m | 6XV1801-5GH10 |
| | 1,5 m | 6XV1801-5GH15 |
| | 2,0 m | 6XV1801-5GH20 |
| | 3,0 m | 6XV1801-5GH30 |
| | 5,0 m | 6XV1801-5GH50 |
| | 10,0 m | 6XV1801-5GN10 |
| | 15,0 m | 6XV1801-5GN15 |
| Robus power connecting cable M12-180/M12-180, IP69, to power supply of ET 200, pre-assembled cable with M12 connector, a-coded, 4-pole | 1,0 m | 6XV1801-5AH10 |
| | 2,0 m | 6XV1801-5AH20 |
| | 3,0 m | 6XV1801-5AH30 |
| | 5,0 m | 6XV1801-5AH50 |

| Elektronic modules failsafe | Article number |
|---|--------------------|
| F-DI 8 x 24VDC, 4xM12 /F-DQ 3 x 24VDC, 2A PM, 3xM12 | 6ES7146-6FF00-0AB0 |
| | |
| | |
| | |
| | |
| | |
| | |
| | |
| | |
| | |
| | |
| | |
| | |
| | |
| | |
| | |
| | |
| | |
| | |



| Intefaces | Article number |
|---|--------------------|
| X1 P1R LAN (M12 socket) | |
| non-assembled connectors | |
| PROFINET M12 connector, d-coded with FastConnect system, 180° | |
| - 1 per pack | 6GK1901-0DB20-6AA0 |
| - 8 per pack | 6GK1901-0DB20-6AA8 |
| PROFINET M12 connector, d-coded with FastConnect system, 180° | |
| - 1 per pack | 6GK1901-0DB10-6AA0 |
| - 8 per pack | 6GK1901-0DB10-6AA8 |
| PROFINET M12 connector, d-coded, angled | 3RK1902-2DA00 |
| non-assembled cables | |
| PROFINET FC cable | |
| - FC TP Standard Cable | 6XV1840-2AH10 |
| - FC TP Trailing Cable | 6XV1840-3AH10 |

This entry is from the Service&Support portal of Siemens AG, Siemens Industry Online Support.

The general terms of use

| | | |
|--|--------|--------------------|
| - FC TP Trailing Cable GP | | 6XV1870-2D |
| - FC TP Marine Cable | | 6XV1840-4AH10 |
| - FC TP Torsion Cable | | 6XV1870-2F |
| - FC TP Flexible Cable GP | | 6XV1870-2B |
| - FC TP FRNC Cable | | 6XV1871-2F |
| - FC TP Food Cable | | 6XV1871-2L |
| - FC TP Festoon Cable GP | | 6XV1871-2S |
| pre-assembled cables | | |
| PROFINET M12 trailable connecting cable, pre-assembled at both ends with M12 connectors 180° (pin) | 0,3 m | 6XV1870-8AE30 |
| | 0,5 m | 6XV1870-8AE50 |
| | 1,0 m | 6XV1870-8AH10 |
| | 1,5 m | 6XV1870-8AH15 |
| | 2,0 m | 6XV1870-8AH20 |
| | 3,0 m | 6XV1870-8AH30 |
| | 5,0 m | 6XV1870-8AH50 |
| | 10,0 m | 6XV1870-8AN10 |
| PROFINET M12 trailable connecting cable, pre-assembled at both ends with M12 connectors, angled (pin) | 0,3 m | 6XV1870-8GE30 |
| | 0,5 m | 6XV1870-8GE50 |
| | 1,0 m | 6XV1870-8GH10 |
| | 1,5 m | 6XV1870-8GH15 |
| | 2,0 m | 6XV1870-8GH20 |
| | 3,0 m | 6XV1870-8GH30 |
| | 5,0 m | 6XV1870-8GH50 |
| | 10,0 m | 6XV1870-8GN10 |
| IE FC Robust food cable GP 2x2, with 2 M12 connectors (d-coded) | 1,0 m | 6XV1881-5AH10 |
| | 2,0 m | 6XV1881-5AH20 |
| | 3,0 m | 6XV1881-5AH30 |
| | 5,0 m | 6XV1881-5AH50 |
| PROFINET M12 trailable connecting cable, pre-assembled at one end with M12 connector, angled (pin), other end open cable | 3,0 m | 3RK1902-2HB30 |
| | 5,0 m | 3RK1902-2HB50 |
| | 10,0 m | 3RK1902-2HC10 |
| PROFINET M12 trailable connecting cable, pre-assembled at one end with M12 connector 180° (pin), other end with RJ45 Plug 145° | 2,0 m | 6XV1871-5TH20 |
| | 3,0 m | 6XV1871-5TH30 |
| | 5,0 m | 6XV1871-5TH50 |
| | 10,0 m | 6XV1871-5TN10 |
| | 15,0 m | 6XV1871-5TN15 |
| Miscellaneous | | |
| M12 cover caps | | 3RX9802-0AA00 |
| M12 cover caps | | 3RK1901-1KA00 |
| X01 P2R LAN (M12 socket) | | |
| non-assembled connectors | | |
| PROFINET M12 connector, d-coded with FastConnect system, 180° | | |
| - 1 per pack | | 6GK1901-0DB20-6AA0 |
| - 8 per pack | | 6GK1901-0DB20-6AA8 |
| PROFINET M12 connector, d-coded with FastConnect system, 180° | | |
| - 1 per pack | | 6GK1901-0DB10-6AA0 |
| - 8 per pack | | 6GK1901-0DB10-6AA8 |
| PROFINET M12 connector, d-coded, angled | | 3RK1902-2DA00 |

This entry is from the Service&Support portal of Siemens AG,
Siemens Industry Online Support.

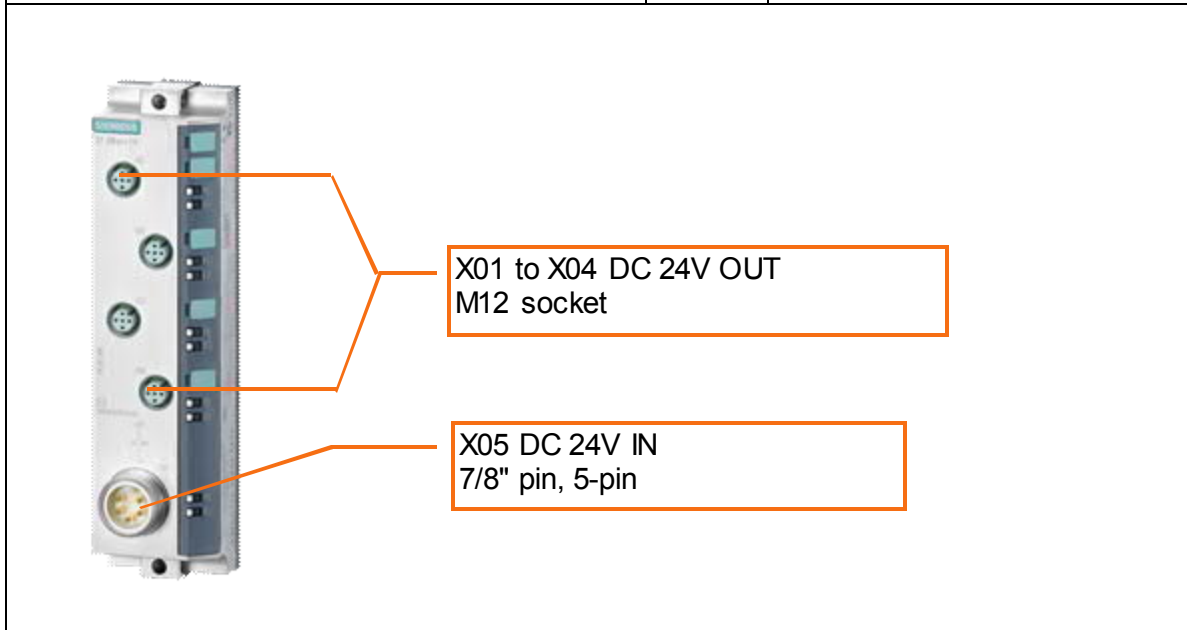
The general terms of use

| non-assembled cables | | |
|--|--------|---------------|
| PROFINET FC cable | | |
| - FC TP Standard Cable | | 6XV1840-2AH10 |
| - FC TP Trailing Cable | | 6XV1840-3AH10 |
| - FC TP Trailing Cable GP | | 6XV1870-2D |
| - FC TP Marine Cable | | 6XV1840-4AH10 |
| - FC TP Torsion Cable | | 6XV1870-2F |
| - FC TP Flexible Cable GP | | 6XV1870-2B |
| - FC TP FRNC Cable | | 6XV1871-2F |
| - FC TP Food Cable | | 6XV1871-2L |
| - FC TP Festoon Cable GP | | 6XV1871-2S |
| pre-assembled cables | | |
| PROFINET M12 trailable connecting cable, pre-assembled at both ends with M12 connectors 180° (pin) | 0,3 m | 6XV1870-8AE30 |
| | 0,5 m | 6XV1870-8AE50 |
| | 1,0 m | 6XV1870-8AH10 |
| | 1,5 m | 6XV1870-8AH15 |
| | 2,0 m | 6XV1870-8AH20 |
| | 3,0 m | 6XV1870-8AH30 |
| | 5,0 m | 6XV1870-8AH50 |
| | 10,0 m | 6XV1870-8AN10 |
| | 15,0 m | 6XV1870-8AN15 |
| PROFINET M12 trailable connecting cable, pre-assembled at both ends with M12 connectors, angled (pin) | 0,3 m | 6XV1870-8GE30 |
| | 0,5 m | 6XV1870-8GE50 |
| | 1,0 m | 6XV1870-8GH10 |
| | 1,5 m | 6XV1870-8GH15 |
| | 2,0 m | 6XV1870-8GH20 |
| | 3,0 m | 6XV1870-8GH30 |
| | 5,0 m | 6XV1870-8GH50 |
| | 10,0 m | 6XV1870-8GN10 |
| | 15,0 m | 6XV1870-8GN15 |
| IE FC Robust food cable GP 2x2, with 2 M12 connectors (d-coded) | 1,0 m | 6XV1881-5AH10 |
| | 2,0 m | 6XV1881-5AH20 |
| | 3,0 m | 6XV1881-5AH30 |
| | 5,0 m | 6XV1881-5AH50 |
| PROFINET M12 trailable connecting cable, pre-assembled at one end with M12 connector, angled (pin), other end open cable | 3,0 m | 3RK1902-2HB30 |
| | 5,0 m | 3RK1902-2HB50 |
| | 10,0 m | 3RK1902-2HC10 |
| PROFINET M12 trailable connecting cable, pre-assembled at one end with M12 connector 180° (pin), other end with RJ45 Plug 145° | 2,0 m | 6XV1871-5TH20 |
| | 3,0 m | 6XV1871-5TH30 |
| | 5,0 m | 6XV1871-5TH50 |
| | 10,0 m | 6XV1871-5TN10 |
| | 15,0 m | 6XV1871-5TN15 |
| Miscellaneous | | |
| M12 cover caps | | 3RX9802-0AA00 |
| M12 cover caps | | 3RK1901-1KA00 |

| | | |
|---|---------------|---------------------|
| X40 REINT | | |
| E coding plug | | 6ES7194-6KB00-0AA0 |
| X1 to X7 (M12 socket, 5-pin) | | |
| Non-assembled connectors | | |
| M12 connector, 5-pin, max. 0,75mm ² screw terminals | | 3RK1 902-4BA00-5AA0 |
| M12 connector angled, 5-pin, max. 0,75mm ² screw terminals | | 3RK1 902-4DA00-5AA0 |
| Pre-assembled cables | | |
| M12 connecting cable (PUR sheath), pre-assembled at both ends with socket and plug connector, 3 x 0,34 mm ² | 1,5 m | 3RK1 902-4PB15-3AA0 |
| | 5m | 6GT2 891-4MH50 |
| | 10m | 6GT2 891-4MN10 |
| M12 connecting cable (PUR sheath), 5 x 0,34 mm ² , one end with socket (one end socket, one end open cable) | 1,5 m | 3RK1 902-4HB15-5AA0 |
| | 5m | 3RK1 902-4HB50-5AA0 |
| | 10m | 3RK1 902-4HC01-5AA0 |
| miscellaneous | | |
| M12 cover caps | | 3RX9 802-0AA00 |
| M12 cover caps | | 3RK1901-1KA00 |
| Y cable, for fail-safe distributed I/O ET 200, IP 65/67, for connection of single channel sensors (1 to1 evaluation) 5-pin M12, 200mm | | 6ES7194-6KB00-0XA0 |
| X02 DC 24V OUT (M12 socket) | | |
| non-assembled connectors | | |
| Terminal block, 10A cutter clamps | | 6ES7194-6CA00-0AA0 |
| Power M12 connector, 4-pin, a-coded, with pin insert | | 6GK1907-0DB10-6AA3 |
| Power M12 connector angled, 5-pin, a-coded, with pin insert | | 3RK1902-4DA00-5AA0 |
| pre-assembled cables | | |
| M12 connecting cable for supplying trailable energy cable, 5-pin, at both ends with M12 connectors 180° (one end socket, one end pin) | 0,3 m | 6XV1801-5DE30 |
| | 0,5 m | 6XV1801-5DE50 |
| | 1,0 m | 6XV1801-5DH10 |
| | 1,5 m | 6XV1801-5DH15 |
| | 2,0 m | 6XV1801-5DH20 |
| | 3,0 m | 6XV1801-5DH30 |
| | 5,0 m | 6XV1801-5DH50 |
| | 10,0 m | 6XV1801-5DN10 |
| | 15,0 m | 6XV1801-5DN15 |
| Power Connecting Cable M12-90/M12-90 für power supply of ET 200, pre-assembled cable with M12 connector (pin) and M12 connector (socket), a-coded, 4-wire | 0,3 m | 6XV1801-5GE30 |
| | 0,5 m | 6XV1801-5GE50 |
| | 1,0 m | 6XV1801-5GH10 |
| | 1,5 m | 6XV1801-5GH15 |
| | 2,0 m | 6XV1801-5GH20 |
| | 3,0 m | 6XV1801-5GH30 |
| | 5,0 m | 6XV1801-5GH50 |
| | 10,0 m | 6XV1801-5GN10 |
| 15,0 m | 6XV1801-5GN15 | |
| Robus power connecting cable M12-180/M12-180, IP69, to power supply of ET 200, pre-assembled cable with M12 connector, a-coded, 4-pole | 1,0 m | 6XV1801-5AH10 |
| | 2,0 m | 6XV1801-5AH20 |

| | | |
|---|--------|--------------------|
| | 3,0 m | 6XV1801-5AH30 |
| | 5,0 m | 6XV1801-5AH50 |
| Miscellaneous | | |
| M12 cover caps | | 3RX9802-0AA00 |
| M12 cover caps | | 3RK1901-1KA00 |
| X03 DC 24V IN (M12 pin) | | |
| non-assembled connectors | | |
| Terminal block, 10A cutter clamps | | 6ES7194-6CA00-0AA0 |
| Power M12 connector, 4-pin, a-coded, with socket insert | | 6GK1907-0DC10-6AA3 |
| Power M12 connector angled, 4-pin, a-coded, with socket insert | | 3RK1902-4CA00-4AA0 |
| pre-assembled cables | | |
| M12 connecting cable for supplying trailable energy cable, 5-pin, at both ends with M12 connectors 180° (one end socket, one end pin) | 0,3 m | 6XV1801-5DE30 |
| | 0,5 m | 6XV1801-5DE50 |
| | 1,0 m | 6XV1801-5DH10 |
| | 1,5 m | 6XV1801-5DH15 |
| | 2,0 m | 6XV1801-5DH20 |
| | 3,0 m | 6XV1801-5DH30 |
| | 5,0 m | 6XV1801-5DH50 |
| | 10,0 m | 6XV1801-5DN10 |
| | 15,0 m | 6XV1801-5DN15 |
| Power Connecting Cable M12-90/M12-90 für power supply of ET 200, pre-assembled cable with M12 connector (pin) and M12 connector (socket), a-coded, 4-wire | 0,3 m | 6XV1801-5GE30 |
| | 0,5 m | 6XV1801-5GE50 |
| | 1,0 m | 6XV1801-5GH10 |
| | 1,5 m | 6XV1801-5GH15 |
| | 2,0 m | 6XV1801-5GH20 |
| | 3,0 m | 6XV1801-5GH30 |
| | 5,0 m | 6XV1801-5GH50 |
| | 10,0 m | 6XV1801-5GN10 |
| Robus power connecting cable M12-180/M12-180, IP69, to power supply of ET 200, pre-assembled cable with M12 connector, a-coded, 4-pole | 1,0 m | 6XV1801-5AH10 |
| | 2,0 m | 6XV1801-5AH20 |
| | 3,0 m | 6XV1801-5AH30 |
| | 5,0 m | 6XV1801-5AH50 |

| Miscellaneous | | Article number |
|---------------------|--|--------------------|
| PD DC 24V; 1 x 7/8" | | 6ES7148-6CB00-0AA0 |
| | | |
| | | |
| | | |
| | | |
| | | |
| | | |
| | | |
| | | |
| | | |
| | | |
| | | |



| Interfaces | | Article number |
|--|--------|--------------------|
| X01 to X04 DC 24V OUT (M12 socket) | | |
| non-assembled connectors | | |
| Power M12 connector, 4-pin, a-coded, with pin insert | | 6GK1907-0DB10-6AA3 |
| pre-assembled cables | | |
| M12 connecting cable for supplying trailable energy cable, 5-pin, at both end with M12 connectors 180° (one end socket, one end pin) | 0,3 m | 6XV1801-5DE30 |
| | 0,5 m | 6XV1801-5DE50 |
| | 1,0 m | 6XV1801-5DH10 |
| | 1,5 m | 6XV1801-5DH15 |
| | 2,0 m | 6XV1801-5DH20 |
| | 3,0 m | 6XV1801-5DH30 |
| | 5,0 m | 6XV1801-5DH50 |
| | 10,0 m | 6XV1801-5DN10 |
| | 15,0 m | 6XV1801-5DN15 |

This entry is from the Service&Support portal of Siemens AG, Siemens Industry Online Support.

The general terms of use

| | | |
|--|--------|----------------------------------|
| Power Connecting Cable M12-90/M12-90 für power supply of ET 200, pre-assembled cable with M12 connector (pin) and M12 connector (socket), a-coded, 4-wire | 0,3 m | 6XV1801-5GE30 |
| | 0,5 m | 6XV1801-5GE50 |
| | 1,0 m | 6XV1801-5GH10 |
| | 1,5 m | 6XV1801-5GH15 |
| | 2,0 m | 6XV1801-5GH20 |
| | 3,0 m | 6XV1801-5GH30 |
| | 5,0 m | 6XV1801-5GH50 |
| | 10,0 m | 6XV1801-5GN10 |
| | 15,0 m | 6XV1801-5GN15 |
| Robus power connecting cable M12-180/M12-180, IP69, to power supply of ET 200, pre-assembled cable with M12 connector, a-coded, 4-pin | 1,0 m | 6XV1801-5AH10 |
| | 2,0 m | 6XV1801-5AH20 |
| | 3,0 m | 6XV1801-5AH30 |
| | 5,0 m | 6XV1801-5AH50 |
| Miscellaneous | | |
| M12 cover caps | | 3RX9 802-0AA00 |
| M12 cover caps | | 3RK1901-1KA00 |
| X05 DC 24V IN 7/8" (pin, 5-pin) | | |
| non-assembled connectors | | |
| 7/8" plug-in connector 180° with socket insert | | 6GK1905-0FB00 |
| 7/8" plug-in connector angled with socket insert | | 3RK1902-3DA00 |
| non-assembled cables | | |
| Energy Cable, trailable, 5 x 1,5 mm ² | | 6XV1830-8AH10 |
| pre-assembled cables | | |
| 7/8" connecting cable for supplying trailable energy cable, 5 x 1,5 mm ² , at both ends with 7/8" connectors 180° (one end socket, one end pin) | 0,3 m | 6XV1822-5BE30 |
| | 0,5 m | 6XV1822-5BE50 |
| | 1,0 m | 6XV1822-5BH10 |
| | 1,5 m | 6XV1822-5BH15 |
| | 2,0 m | 6XV1822-5BH20 |
| | 3,0 m | 6XV1822-5BH30 |
| | 5,0 m | 6XV1822-5BH50 |
| | 10,0 m | 6XV1822-5BN10 |
| | 15,0 m | 6XV1822-5BN15 |
| 7/8" connecting cable for supplying trailable energy cable, 5 x 1,5 mm ² , at both ends with 7/8" connectors angled (one end socket, one end pin) | 1,5 m | 6XV1822-5BH15-0SB0 ¹⁾ |
| | 2,0 m | 6XV1822-5BH20-0SB0 ¹⁾ |
| | 3,0 m | 3RK1902-3NB30 |
| | 5,0 m | 3RK1902-3NB50 |
| | 10,0 m | 3RK1902-3NC10 |
| | 15,0 m | 6XV1822-5BN15-0SB0 ¹⁾ |
| 7/8" connecting cable for supplying trailable energy cable, 5 x 1,5 mm ² , one end with 7/8" connector angled (one end socket, one end open cable) | 3,0 m | 3RK1902-3GB30 |
| | 5,0 m | 3RK1902-3GB50 |
| | 10,0 m | 3RK1902-3GC10 |

¹⁾ Ordering with ORG-ID: 10001539

