

Basic data of switching symbols

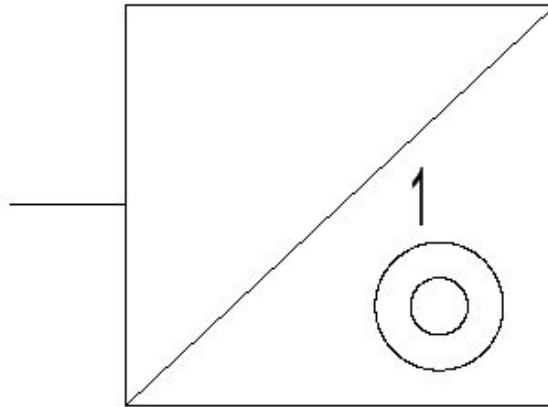
Basic data of switching symbols - Definition

Symbol

Connecting diagram

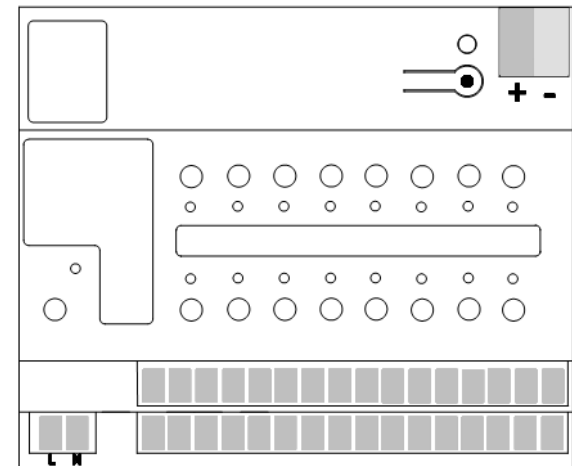
Front view

Sample: Push button 1 fold



Symbol single-pole

Sample: N263 Binary input



Front view

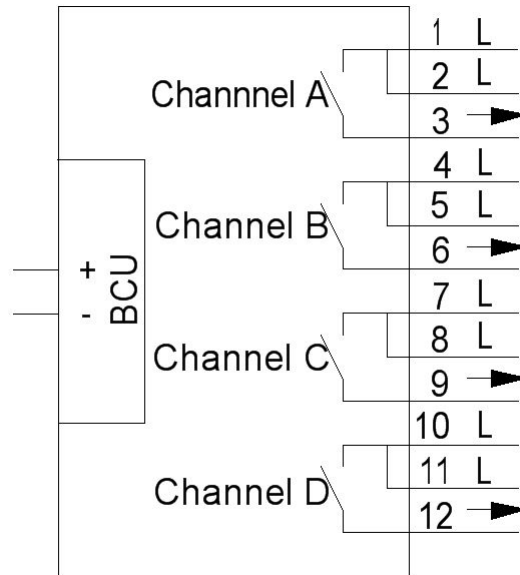
Basic data of switching symbols - Definition

Symbol

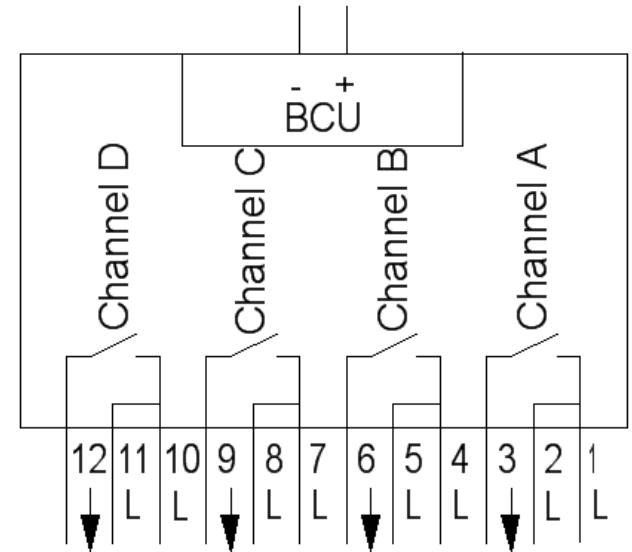
Connecting diagram

Front view

Sample: N510/04 Load switch



Connecting diagram vertical version



Connecting diagram horizontal version

Basic data of switching symbols– Data names

Symbol

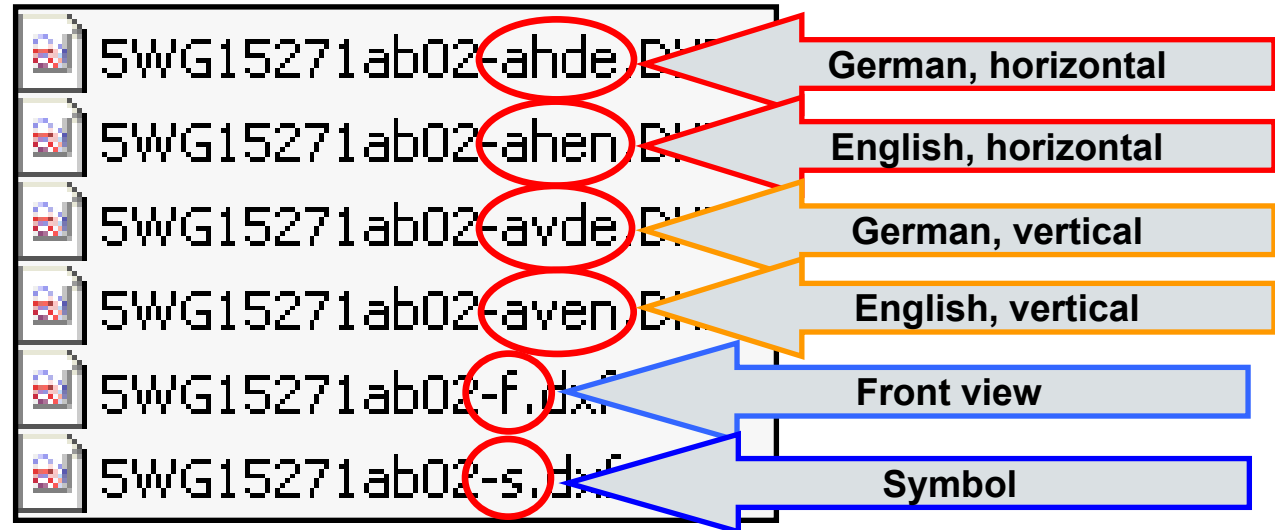
Connecting diagram

Front view

Explanation of data names by the example of N510/04 load switch

5WG1 5101ab04 is the order number (MLFB)

The appropriate abbreviation is explained in the following picture:



Basic data of switching symbols - Microsoft Visio

Symbol

Connecting
diagram

Front view

Microsoft Visio

Font size:

- Caption Arial 18pt
- Descriptions Arial 12pt
- Inputs/outputs Arial 36pt

Symbol size:

14cm X 22 cm

Opening of VSD data:

VSD data should only be opened with Microsoft Visio!

Basic data of switching symbols - DDS-CAD

Symbol

DDS-CAD

Connecting
diagram

Font sizes:

- Captions (descriptions) 3,5 mm
- Inscriptions 3,5 mm
- Raster of contacts 5 mm

Front view

Symbol sizes:

The symbol size depends on the number of contacts. The distance between the upper (lower) edge to the first (last) contact is 10 mm.

Basic data of switching symbols - DDS-CAD

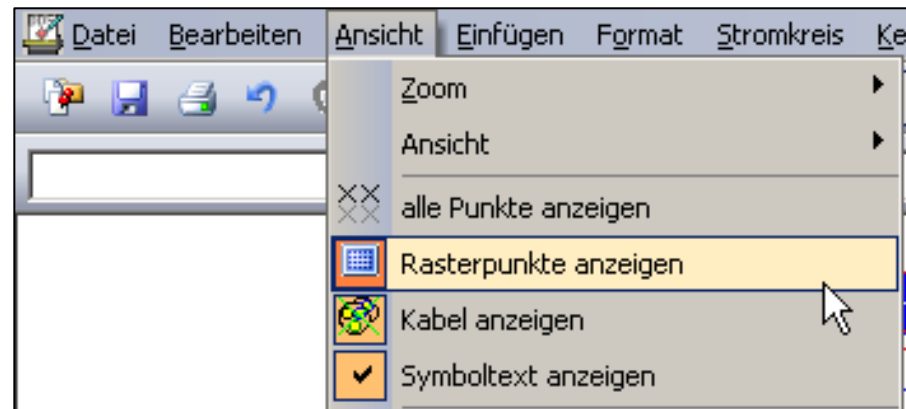
Symbol

Connecting
diagram

Front view

Setting up zero point:

The zero point is positioned on the beginning left tag. For setting up the zero point, open the DDS drawing. „Ansicht“ – „Rasterpunkte anzeigen“, then click on the insertion point (Origo) and drag it to your designated position.



Basic data of switching symbols – Error on opening

Symbol

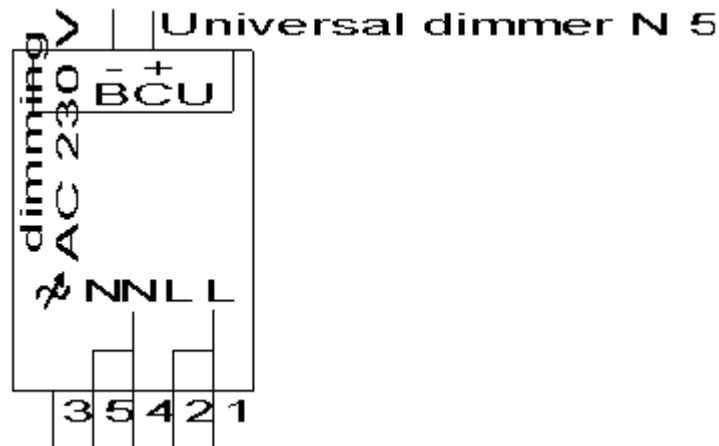
Error on opening connecting diagrams:

Connecting diagram

Do not open the connecting diagrams with Microsoft Visio, because with this program all inscriptions get displaced (see picture).

Front view

Open this views only with AutoCAD, AutoSketch, DDS-CAD or Designer.



Picture: Visio opening error

Basic data of switching symbols - AutoSketch

Symbol

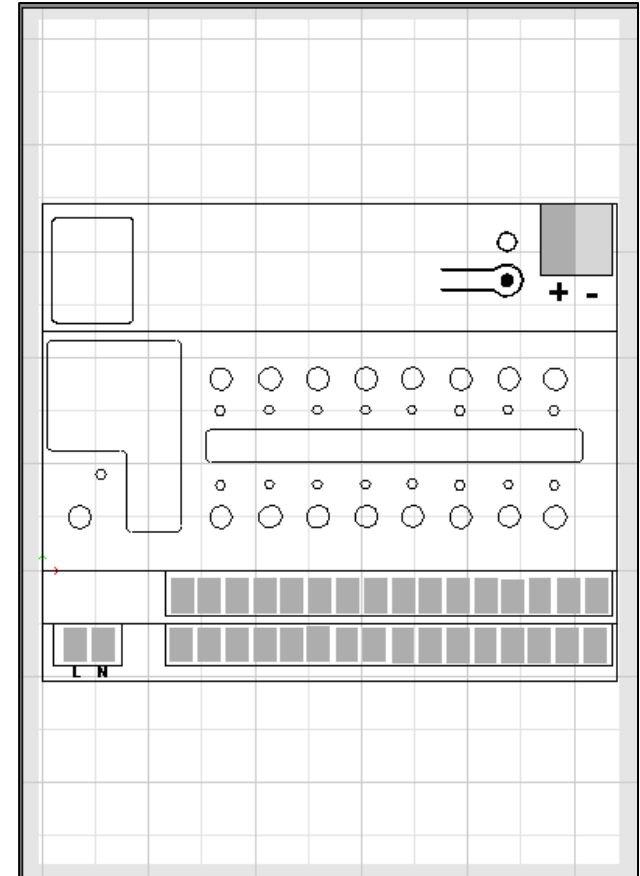
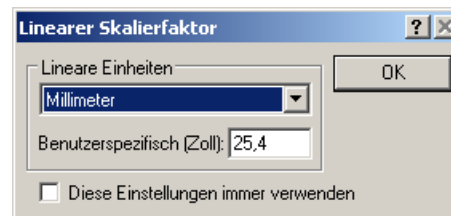
Connecting
diagram

Front view

AutoSketch

- Font Arial
- Font size 2 mm – 4 mm
- Scale 1:1

By opening with AutoSketch, the picture enlarges automatically to fit paper size. That means, font size could be e.g. 25,4 mm and the connecting points change their distances to match the raster.



Basic data of switching symbols - AutoSketch

Symbol

Connecting
diagram

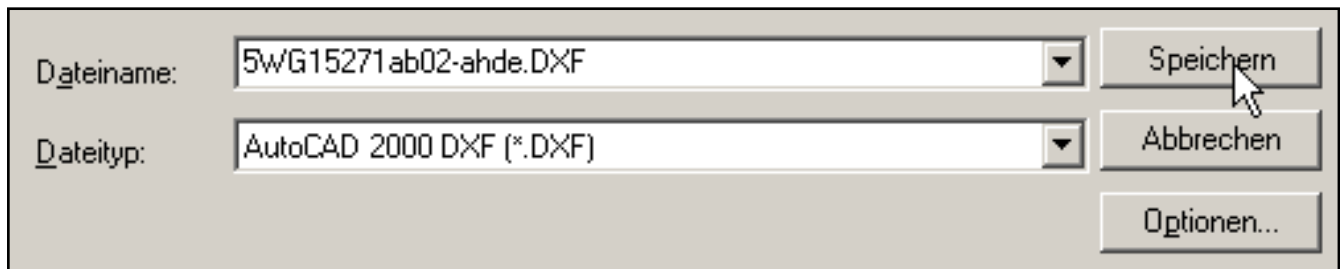
Front view

Saving as DXF file:

All connecting diagrams have been created with AutoSketch 9.

The diagrams are by default saved as „Datei“ – „Speichern unter...“ file type „AutoCAD 2000 DXF“.

The file name includes the order number (MLFB).



Dateiname: 5WG15271ab02-ahde.DXF

Dateityp: AutoCAD 2000 DXF (*.DXF)

Speichern

Abbrechen

Optionen...

Example: Order number: 5WG1 **527**-1ab02

527 = N527/02 Universal dimmer

Basic data of switching symbols - AutoSketch

Symbol

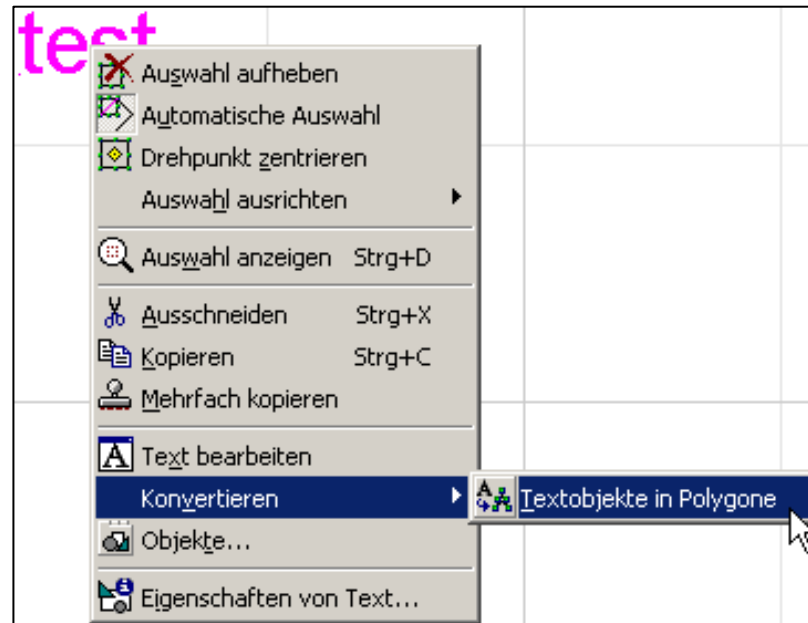
Connecting
diagram

Front view

CAUTION:

If using AutoSketch, all texts need to be converted into polygons in the end. Otherwise, the font will not be shown true to original with other drawing programs.

Right mouse click on the font,
„Konvertieren“ - „Textobjekte in Polygone“.



Basic data of switching symbols– Used software

Symbol

Connecting
diagram

Front view

Symbols can be created with the following Software:

Microsoft Visio

All symbols have been created with Visio.

VSD files should only be opened with Microsoft Visio!

AutoSketch

For opening connecting diagrams and save as DXF file.

All the connecting diagrams have been created with AutoSketch 9.

DDS-CAD

To open and save all designs.

Basic data of switching symbols – Save as DXF

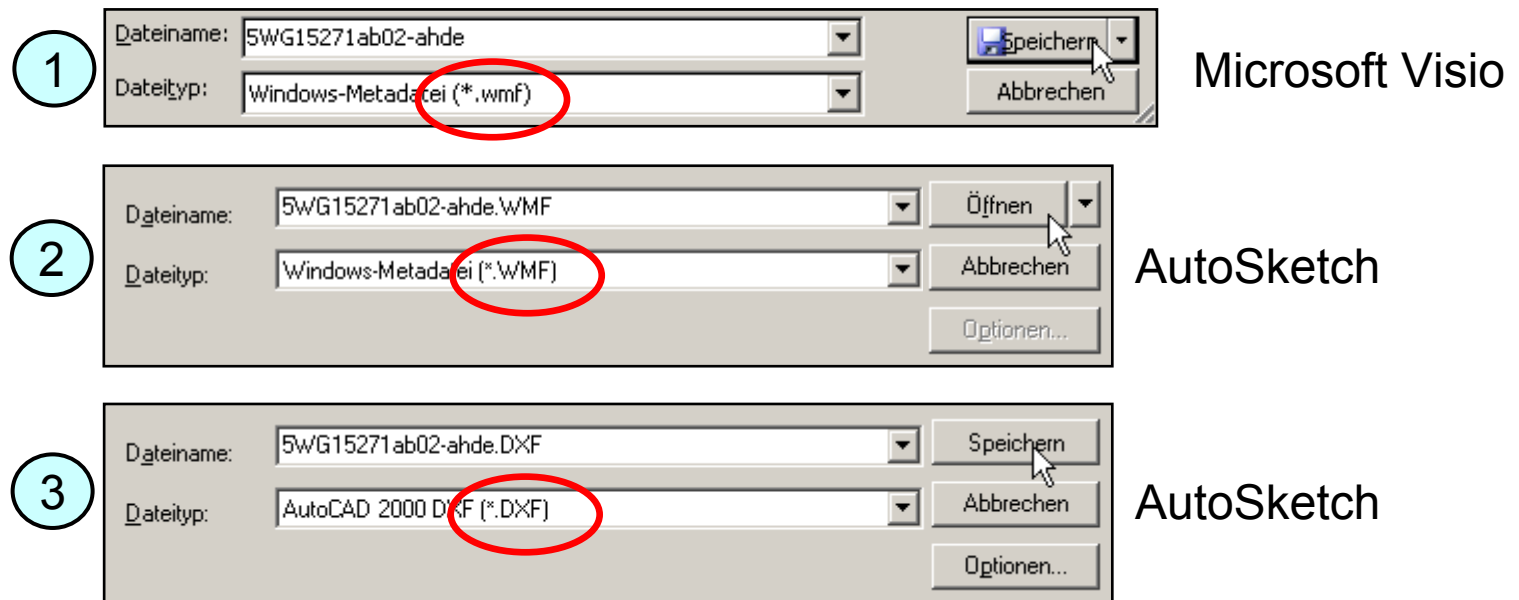
Symbol

Connecting
diagram

Front view

Saving as DXF file:

By saving as DXF file with MS Visio, display errors may occur on further processing. Therefore, a Visio-drawing should first be saved as WMF file (1). Afterwards open the WMF file with AutoSketch (2) and only now, save as DXF file (3).



Basic data of switching symbols - Hotline

Symbol

Connecting
diagram

Front view

You can reach our central specialized Service & Support

consulting service:

Germany: +49 (0)180 50 50 222

Austria: +43 (0)5 1707-22244

Switzerland: +41 (0)848-822 888

via e-mail:

suport.automation@siemens.com