

Accessories

CONDUIT HUBS (HD Type)

TRADE SIZE	CATALOG No.
3 INCH	H56856-2
3-1/2 INCH	H56857-2
4 INCH	H56858-2

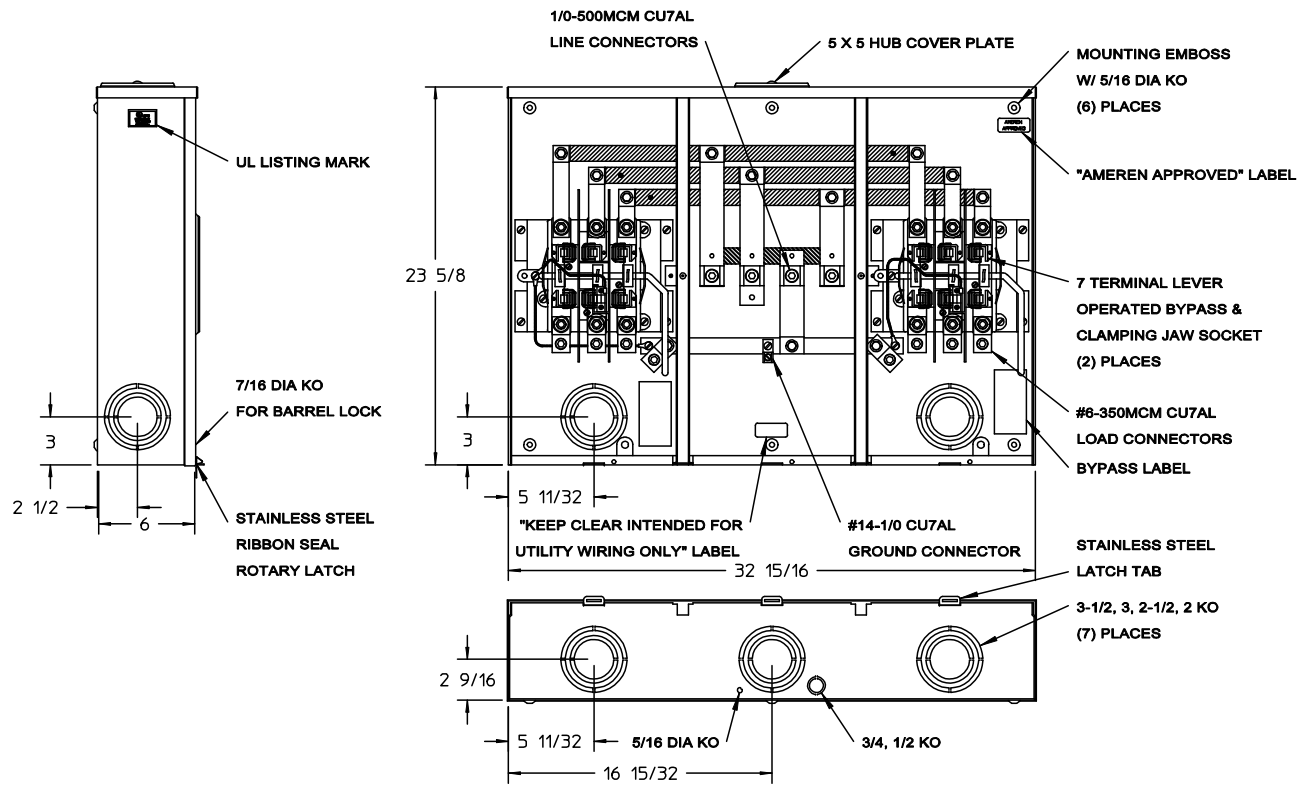
Hub Cover Plate Kit
Cat No: H56933

CONNECTOR	CATALOG No.
(1) #6-350 kcmil	H56880-1

Connectors, Wire Sizes and Torques

CONNECTOR	WIRE SIZE	TORQUE
LINE, NEUTRAL LINE	1/0-500 kcmil	375 IN.-LBS.
LOAD, NEUTRAL LOAD	#6 - 350 kcmil	375 IN.-LBS.
LOAD STUD	3/8 STUD	250 - 300 IN.-LBS.
GROUND	#14 - 1/0 AWG	50 IN.-LBS.

* External Hex Drive 1/2"
* Internal Hex Drive 5/16"



© 2018 Copyright Siemens Industry, Inc.

TALON

Multi-Position Metering

Description: 200A Cont, 7 Jaw, 600V AC, Steel Enclosure

CQ 07/10/2018 DO NOT SCALE DRAWING Dwg No: 404072-023NU