

3 Instructions for Design of Drives in Conformance with EMC Regulations

3.1 Foreword

The modular design of SIMOVERT MASTERDRIVES permits a large number of possible drive converter/equipment combinations so that it is not practical to provide a separate description for every individual combination here. It is more purposeful for this document to provide basic information and generally applicable rules so that you can configure your particular drive converter/equipment combination in an "electromagnetically compatible" manner.

The drives are operated in widely varying environments and any additionally used components (control systems, switch-mode power sections, etc.) can differ considerably as far as their noise immunity and noise emission levels are concerned. For this reason, it is permissible to deviate from the EMC regulations on a case-to-case basis after individual investigation.

In the context of the EMC Law, SIMOVERT MASTERDRIVES are considered as "components" rather than "units". For a better understanding of these instructions, however, the generally used term "units" is used.

With effect from June 1996, the "EMC product standard including special test methods for electric drive units" EN 61800-3 (VDE 0160 T100, IEC 1800-3) is applicable for frequency converters. Before this product standard came into force, the standards EN 50081 with EN 55011 and EN 50082 with IEC 801 were applicable. These are no longer relevant for frequency converters now that the product standard has come into force.

Please contact your local Siemens office regarding any other queries you may have relating to EMC.

3.2 Principles of EMC

3.2.1 What is EMC?

EMC stands for "ElectroMagnetic Compatibility" and, in accordance with the EMC Law §2(7), it defines "the capability of a unit to operate satisfactorily in an electromagnetic environment, without itself causing electromagnetic disturbances which would be unacceptable for other electrical units in this environment".

In principle, this means that units should not interfere with each other. And this is a feature that you have always looked for in your electrical products!

3.2.2 Noise emission and noise immunity

EMC is dependent on two characteristics of the units concerned - the emitted noise and the noise immunity. Electrical equipment can either be treated as a noise source (transmitter) and/or a noise receiver. Electromagnetic compatibility exists when the existing interference sources do not affect the function of the noise receivers. It is also possible for a unit to be both an interference source and an interference receiver at the same time. For example, the power section of a frequency converter can be regarded as a noise source, whereas the control section can be regarded as a noise receiver.

The **noise emission** of frequency converters is governed by the European Standard EN 61800-3. The cable-related noise at the mains connection is measured under standard conditions as radio interference voltage. Electromagnetically emitted noise is measured as radio interference (radiated noise). The standard defines limit values "First environment" (public supply networks) and "Second environment" (industrial networks).

When the equipment is connected up to the public supply, the maximum harmonics specified by the local power supply company must be observed.

The **noise immunity** of a unit describes how it behaves when subjected to electromagnetic noise/interference. The requirements and evaluation criteria for the behaviour of the electrical units are also laid down in standard EN 61800-3.

3.2.3 Industrial and domestic applications

Limit values are laid down for emitted noise and noise immunity depending on the application for which the units are envisaged. A differentiation is made between industrial and domestic environments. In industrial environments, the noise immunity of the units must be very high, but lower requirements are made concerning the emitted noise. In domestic environments, i.e. when connected to public supply systems, there are strict regulations concerning emitted noise but, on the other hand, the units can be designed with a lower noise immunity.

If the drive is an integral part of a system, it does not initially have to satisfy any demands regarding emitted noise and noise immunity. However, the EMC Law specifies that a system must as a whole be electromagnetically compatible within its environment. Within the system, the owner will, in his own interest, make sure that his equipment is electromagnetically compatible.

Without a radio interference suppression filter, the emitted noise of the SIMOVERT MASTERDRIVES frequency converters exceeds the limit value "First environment". Limit values are currently still under discussion for the "Second environment" sector (see EN 61800-3 section 6.3.2). However, their high noise immunity makes them insensitive to the noise emitted by units in their vicinity. If all control components of the system (e.g. automation devices) have a noise immunity suitable for industrial environments, then it is not necessary for every drive to maintain this limit value.

3.2.4 Non-grounded systems

In some industrial sectors, non-grounded supplies (IT supplies) are used to increase the availability of the plant/installation. In the event of a ground fault, no fault current flows, and the plant can still produce. However, when a radio interference suppression filter is used, a fault current will flow when a ground fault occurs, which may cause shutdown of the drives or even the destruction of the radio interference suppression filter. In order to minimize this fault current, the radio interference suppression filter has to be designed differently which will quickly reach the physical limits. Radio interference suppression filters additionally affect the concept of non-grounded supply networks and can thus result in a safety risk when used with these networks (see Product Standard EN 61800-3: 1996). If required, radio interference suppression should thus be realized at the grounded primary side of the supply transformer or with a single special filter at the secondary side. The special filter also generates leakage currents to ground. A ground-leakage monitor which is usually used in non-grounded systems has to be adjusted to the special filter.

3.3 The frequency converter and its electromagnetic compatibility

3.3.1 The frequency converter as a noise source

Mode of operation of SIMOVERT MASTERDRIVES

SIMOVERT MASTERDRIVES frequency converters operate with a voltage-source DC link.

In order to keep the power losses as low as possible, the inverter switches the DC link voltage to the motor winding in the form of voltage blocks.

An almost sinusoidal current flows in the motor.

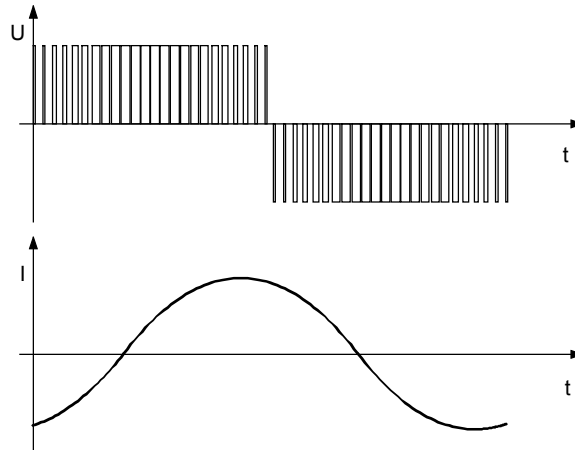
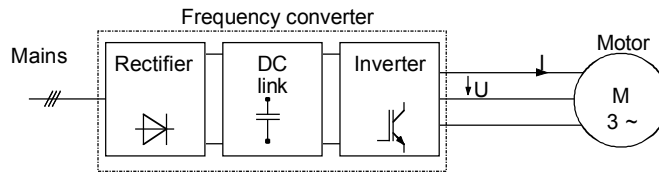


Fig. 3-1 Block diagram showing output voltage V and motor current I of a frequency converter

The described mode of operation in conjunction with high-performance semiconductor switching elements have made it possible to develop compact frequency converters which now play a vital role in drive technology.

As well as having many advantages, the fast semiconductor switches also have one disadvantage:

A pulse-type noise current flows to ground through parasitic capacitances C_P at each switching edge. Parasitic capacitances exist between the motor cable and ground, and also within the motor.

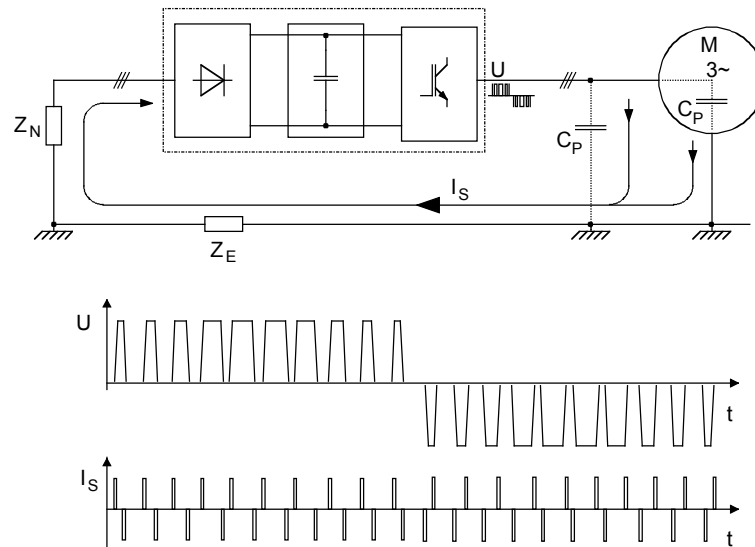


Fig. 3-2 Block diagram showing output voltage V and fault current I_s

The source of the fault current I_s is the inverter, which is the reason why the fault current must also flow back to the inverter. Impedance Z_N and ground impedance Z_E act in the return flow path. Impedance Z_N forms parasitic capacitances between the supply cable and ground, which is connected in parallel with the impedance (between phase and ground) of the supply transformer. The noise current itself and the voltage drops across Z_N and Z_E caused by the noise current can also affect other electrical units.

Frequency converters generate the high-frequency noise currents which have already been described. In addition, low-frequency harmonics should be taken into account. As a result of rectification of the line supply, a non-sinusoidal line current is drawn which causes a distortion of the line supply voltage.

Low-frequency harmonics are reduced using **line reactors**.

The high-frequency noise emission can only be reduced if the generated noise current is correctly routed. Using non-shielded motor cables, the noise current flows in an undefined fashion back to the frequency converter, e.g. via foundation/base frame grounders, cable ducts, cabinet frames. These current paths have a very low resistance for currents with a frequency of 50 or 60 Hz. However, the noise current induces a high-frequency component, which can result in problematical voltage drops.

A **shielded motor cable** is absolutely necessary to enable the fault current to flow back to the frequency converter in a defined fashion. The shield must be connected to the housing of the frequency converter and to the motor housing through a large surface area. The shield now forms the easiest path for the noise current to take when returning to the frequency converter.

Measures to reduce noise emission

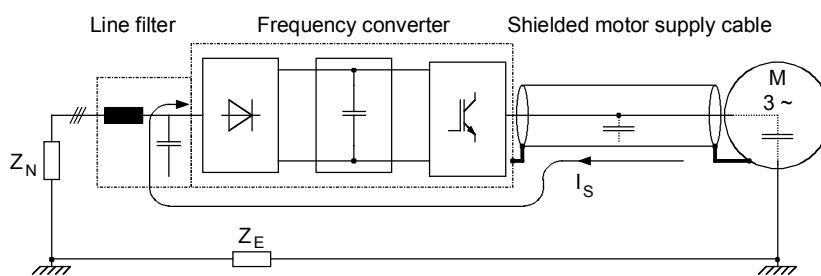


Fig. 3-3 Flow of the noise current with shielded motor cable

A shielded motor cable with a **shield connected at both sides** causes the noise current to flow back to the frequency converter through the shield.

Although (almost) no voltage drop arises across impedance Z_E for shielded motor cables, the voltage drop across impedance Z_N can affect other electrical units.

For this reason, a **radio interference suppression filter** should be installed in the supply feeder cable to the frequency converter. Arrangement of the components as per the following figure.

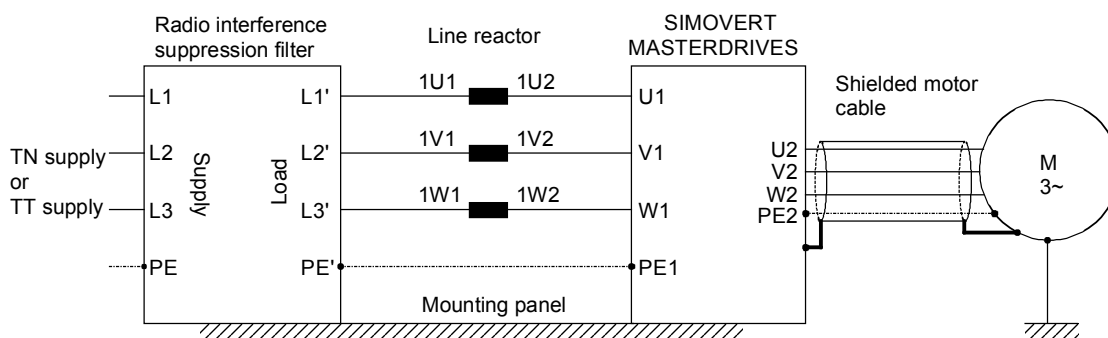


Fig. 3-4 Arrangement of the components

Radio interference suppression filters and frequency converters must be connected through a low-ohmic resistance for the high-frequency noise currents. In practice, this requirement is best satisfied by mounting the frequency converters and radio interference suppression filters on a common panel. Frequency converters and radio interference suppression filters must be connected to the mounting panel through the largest possible surface area.

The SIMOVERT MASTERDRIVES must be installed in an enclosed **cabinet** in order to limit the radio interference radiation. In particular, the radio interference radiation is determined by the control section with its microprocessor and it is therefore comparable with the noise emitted from a computer. If there are no radio transmission services in the immediate vicinity of the SIMOVERT MASTERDRIVES, there is no need for a high-frequency-sealed cabinet.

Radio interference radiation is not limited if the units are installed in racks. In this case, adequate shielding should be provided by suitably designing the equipment room/area.

3.3.2 The frequency converter as a noise receiver

Ways in which noise is received

Noise can enter a unit either galvanically, inductively or capacitively. The equivalent circuit diagram shows a noise source which causes noise current I_S in the unit due to capacitive coupling effects. The magnitude of the coupling capacitance C_K is determined by the cabling and the mechanical design.

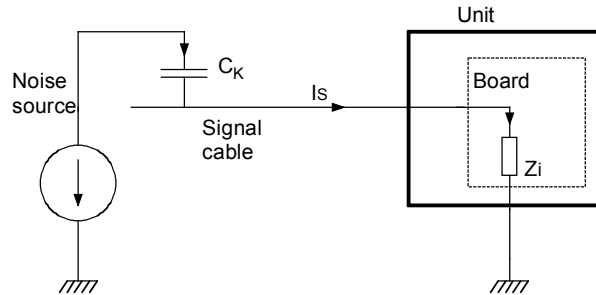


Fig. 3-5 Capacitive coupling for non-shielded signal cables

Noise current I_S produces a voltage drop across impedance Z_i . If the noise current flows through a board with fast electronic components (e.g. microprocessor), even a small spike in the μs area and an amplitude of just a few volts can lead to disturbing noise.

Measures to increase noise immunity

The most effective way of preventing noise being coupled-in is to rigorously **separate power and signal cables**.

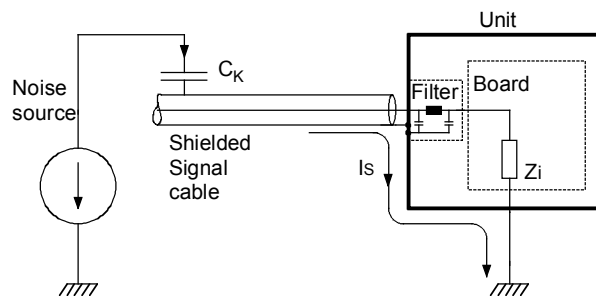


Fig. 3-6 Increasing the noise immunity by using shielded signal cables

The inputs and outputs of the SIMOVERT MASTERDRIVES control section are fitted with filters that keep noise currents I_S separate from the electronics. The filters also smooth the useful signal. In the case of signal cables with extremely high-frequency signals, e.g. from the digital tachometer, this smoothing has a disturbing effect. As no smoothing is possible on account of its functionality, **shielded signal cables** have to be used here. The noise current now flows back to the noise source via the shield and the housing.

The shields of **digital signal cables** always have to be connected at both ends, i.e. at the transmitter and at the receiver!

In the case of **analog signal cables**, low-frequency noise can arise if the shield is connected at both ends (hum is coupled-in). In this case, the shield must only be connected at one end at the SIMOVERT MASTERDRIVES. The other end of the shield should be grounded through a capacitor (e.g. 10 nF/100 V type MKT). This capacitor enables the shield to be connected at both ends after all as far as high-frequency noise is concerned.

3.4 EMC planning

If two units are not electromagnetically compatible, the noise radiated by the noise transmitter can be reduced, or the noise immunity of the noise receiver can be increased. Noise sources are often power electronic units with a large current drain. Complex filters are necessary to reduce their noise emission. Noise receivers especially include control devices and sensors/transmitters, as well as their evaluation circuit. Not so much effort and cost is required to increase the noise immunity of low-power units. In industrial environments, it is therefore more cost-effective to increase the noise immunity than to reduce the noise emission.

To maintain the "Second environment" limit value class specified in EN 55011, the radio interference voltage at the mains connection point can be a maximum of 79 dB (μV) between 150 kHz and 500 kHz, and a maximum of 73 dB (μV) between 500 kHz and 30 MHz. When expressed in volts, these values are 9 mV and 4.5 mV respectively!

Before radio interference measures can be applied, it must first be clarified at which locations you or your customer require EMC. See the following example:

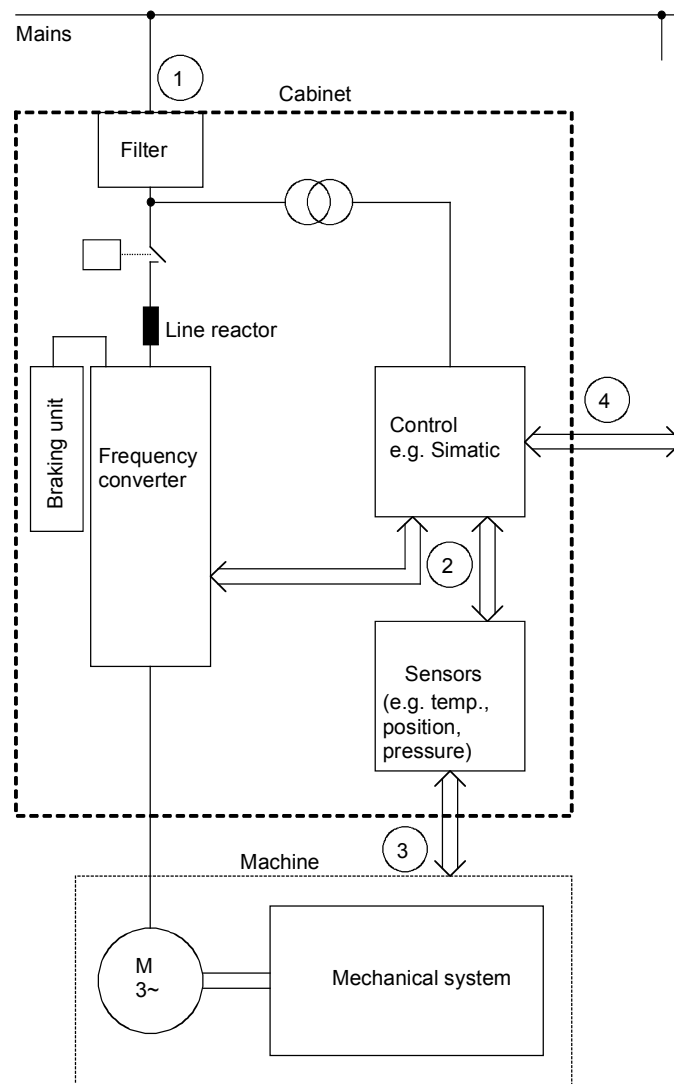


Fig. 3-7 Block diagram of a drive system

The purpose of a frequency converter is to drive a motor. The frequency converter, the relevant open-loop control and sensor system are accommodated in a cabinet. The emitted noise has to be limited at the mains connection point and therefore radio interference suppression filters and line reactors are installed in the cabinet.

Assuming that all requirements are met at Point ① - can it be supposed that electromagnetic compatibility exists?

This question cannot just be answered with "yes" because EMC has to be reliably ensured inside the cabinet as well. It is possible that the control system produces electromagnetic influences at interfaces ② and ④, and the sensor system at interfaces ② and ③.

Therefore, a radio interference suppression filter by itself cannot ensure EMC!

See the following sections.

3.4.1 The zone concept

The most cost-effective measure of reducing interference is to spatially separate the noise sources and the noise receivers. This must, however, already be taken into account during the planning stage of a machine/system. The first question that has to be answered is whether the unit used is a noise source or a noise receiver. Noise sources in this connection are, for example, frequency converters, braking units, contactors.

Noise receivers are, for example, automation devices, encoders and sensors.

The machine/system is then divided up into EMC zones and the units are assigned to these zones. Each zone has its own requirements regarding noise emission and noise immunity. The zones have to be spatially separated, which is best done using a metal housing or, within a cabinet, using grounded partitions. If necessary, filters have to be used at the zone interfaces. The zone concept is explained using the following diagram as an example which shows a simplified drive system:

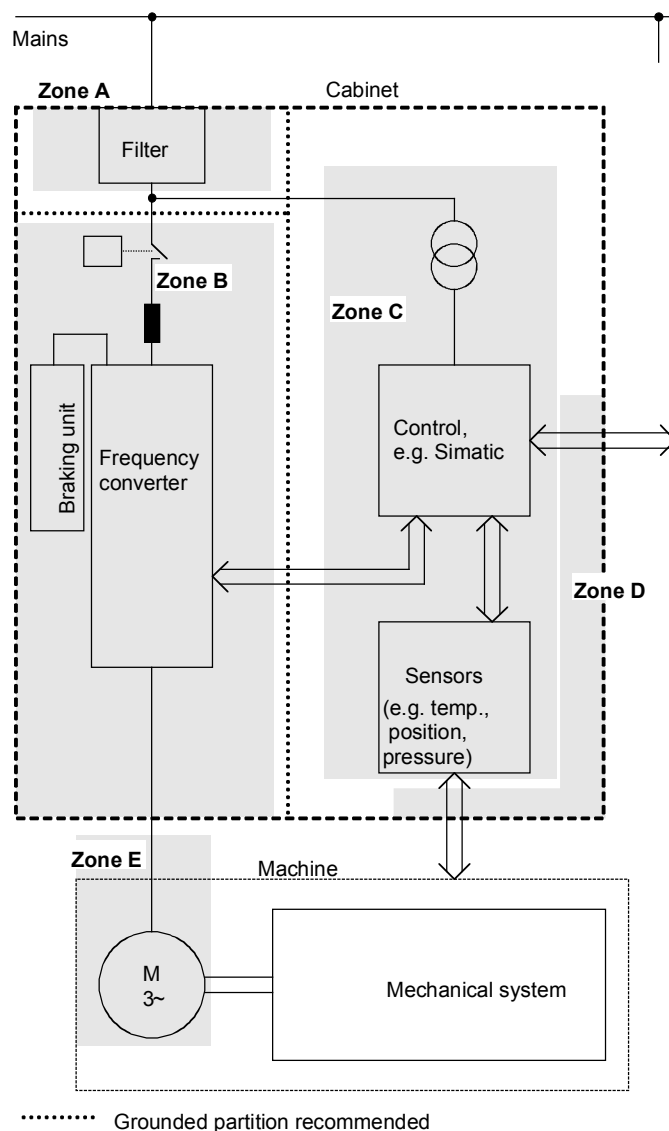


Fig. 3-8 Sub-dividing a drive system into zones

- ◆ Zone A is the cabinet connection to the line supply including filter. The emitted noise should be kept at specific limit values here.
- ◆ Zone B contains the line reactor and the noise sources: frequency converter, braking unit, contactor.
- ◆ Zone C accommodates the control transformer and the noise receivers: control and sensor system.
- ◆ Zone D forms the interface between the signal and control cables to the periphery. A defined noise immunity level is required here.
- ◆ Zone E comprises the three-phase motor and the motor supply cable.
- ◆ The zones should be spatially separated in order to achieve electromagnetic de-coupling.

- ◆ Minimum clearance 20 cm.
- ◆ De-coupling by means of grounded partitions is even better. It is not permissible to route cables which have been assigned to various zones together in the same cable ducts!
- ◆ If necessary, filters should be installed at the interface locations between the zones.
- ◆ Non-shielded signal cables can be used within one zone.
- ◆ All bus cables (e.g. RS 485, RS 232) and signal cables leaving the cabinet must be shielded.

3.4.2 Use of filters and coupling elements

EMC cannot be brought about just by installing filters! Measures such as shielded motor feeder cables and spatial separation are also necessary.

Radio interference suppression filters

Radio interference suppression filters reduce the cable-related noise interference voltage at the mains connection point. In order to maintain the limit values ("First environment" or "Second environment"), a radio interference suppression filter is necessary, irrespective of whether a dv/dt or sinusoidal filter is used at the output of the frequency converter.

dv/dt filters

dv/dt filters are used in the first place to protect the motor winding, by reducing the maximum voltage stressing, and in the second place, the reduced voltage gradient will result in a lower noise current.

Sinusoidal filters

Sinusoidal filters are low-pass filters which generate an almost sinusoidal voltage from the voltage blocks which the converter switches at the output terminals. The voltage gradient and the maximum voltage peaks are limited even more effectively than in the case of dv/dt filters.

Coupling elements

In addition, data line filters and/or coupling elements may be required at the interfaces between the zones. Coupling elements with electrical isolation (e.g. isolating amplifiers) prevent the noise from being propagated from one zone to the next. Isolating amplifiers particularly have to be provided in the case of analog signals.

3.5 Design of drives in conformance with EMC regulations

3.5.1 Basic EMC rules

Rules 1 to 13 are generally applicable. Rules 14 to 20 are particularly important for limiting noise emission.

Rule 1 All of the metal cabinet parts must be connected through the largest possible surface areas (not paint on paint). If required, use serrated washers. The cabinet door must be connected to the cabinet through grounding straps which must be kept as short as possible.

NOTE Grounding installations/machines is essentially a protective measure. However, in the case of drive systems, this also has an influence on the noise emission and noise immunity. A system can either be grounded in a star configuration or each component grounded separately. Preference should be given to the latter grounding system in the case of drive systems, i.e. all parts of the installation to be grounded are connected through their surface or in a mesh pattern.

Rule 2 Signal cables and power cables must be routed separately (to eliminate coupled-in noise). Minimum clearance: 20 cm. Provide partitions between power cables and signal cables. The partitions must be grounded at several points along their length.

Rule 3 Contactors, relays, solenoid valves, electromechanical operating hours counters, etc. in the cabinet must be provided with quenching elements, for example, RC elements, diodes, varistors. These quenching devices must be connected directly at the coil.

Rule 4 Non-shielded cables associated with the same circuit (outgoing and incoming conductor) must be twisted, or the surface between the outgoing and incoming conductors kept as small as possible in order to prevent unnecessary coupling effects.

Rule 5 Eliminate any unnecessary cable lengths to keep coupling capacitances and inductances low.

Rule 6 Connect the reserve cables/conductors to ground at both ends to achieve an additional shielding effect.

Rule 7 In general, it is possible to reduce the noise being coupled-in by routing cables close to grounded cabinet panels. Therefore, wiring should be routed as close as possible to the cabinet housing and the mounting panels and not freely through the cabinet. The same applies for reserve cables/conductors.

Rule 8 Tachometers, encoders or resolvers must be connected through a shielded cable. The shield must be connected to the tachometer, encoder or resolver and at the SIMOVERT MASTERDRIVES through a large surface area. The shield must not be interrupted, e.g. using intermediate terminals. Pre-assembled cables with multiple shields should be used for encoders and resolvers (see Catalog DA65.11).

- Rule 9** The cable shields of digital signal cables must be connected to ground at both ends (transmitter and receiver) through the largest possible surface area. If the equipotential bonding is poor between the shield connections, an additional equipotential bonding conductor with at least 10 mm² must be connected in parallel to the shield, to reduce the shield current. Generally, the shields can be connected to ground (= cabinet housing) in several places. The shields can also be connected to ground at several locations, even outside the cabinet.
- Foil-type shields are not to be favoured. They do not shield as well as braided shields; they are poorer by a factor of at least 5.
- Rule 10** The cable shields of **analog** signal cables can be connected to ground at both ends if the equipotential bonding is good. Good equipotential bonding is achieved if Rule 1 is observed.
- If low-frequency noise occurs on analog cables, for example: speed/measured value fluctuations as a result of equalizing currents (hum), the shields are only connected for analog signals at one end at the SIMOVERT MASTERDRIVES. The other end of the shield should be grounded through a capacitor (e.g. 10 nF/100 V type MKT). However, the shield is still connected at both ends to ground for high frequency as a result of the capacitor.
- Rule 11** If possible, the signal cables should only enter the cabinet at one side.
- Rule 12** If SIMOVERT MASTERDRIVES are operated from an external 24 V power supply, this power supply must not feed several consumers separately installed in various cabinets (hum can be coupled-in!). The optimum solution is for each SIMOVERT MASTERDRIVES to have its own power supply.
- Rule 13** Prevent noise from being coupled-in through the supply.
- SIMOVERT MASTERDRIVES and automation units/control electronics should be connected-up to different supply networks. If there is only one common network, the automation units/control electronics have to be de-coupled from the supply using an isolating transformer.
- Rule 14** The use of a radio interference suppression filter is obligatory to maintain limit value class "First environment" or "Second environment", even if sinusoidal filters or dv/dt filters are installed between the motor and SIMOVERT MASTERDRIVES.
- Whether an additional filter has to be installed for further consumers, depends on the control used and the wiring of the remaining cabinet.

- Rule 15** A noise suppression filter should always be placed close to the fault source. The filter must be connected to the cabinet housing, mounting panel, etc. through a large surface area. A bare metal mounting panel (e.g. manufactured from stainless steel, galvanized steel) is best, as electrical contact is established through the entire mounting surface. If the mounting panel is painted, the paint has to be removed at the screw mounting points for the frequency converter and the noise suppression filter to ensure good electrical contact.
- The incoming and outgoing cables of the radio interference suppression filter have to be spatially separated/isolated.
- Rule 16** In order to limit the noise emitted, all variable-speed motors have to be connected-up using shielded cables, with the shields being connected to the respective housings at both ends in a low-inductive manner (through the largest possible surface area). The motor feeder cables also have to be shielded inside the cabinet or at least shielded using grounded partitions. Suitable motor feeder cable e.g. Siemens PROTOFLEX-EMV-CY (4 x 1.5 mm² ... 4 x 120 mm²) with Cu shield. Cables with steel shields are unsuitable.
- A suitable PG gland with shield connection can be used at the motor to connect the shield. It should also be ensured that there is a low-impedance connection between the motor terminal box and the motor housing. If required, connect-up using an additional grounding conductor. **Do not use plastic motor terminal boxes!**
- Rule 17** A line reactor has to be installed between the radio interference suppression filter and the SIMOVERT MASTERDRIVES.
- Rule 18** The line supply cable has to be spatially separated from the motor feeder cables, e.g. by grounded partitions.
- Rule 19** The shield between the motor and SIMOVERT MASTERDRIVES must not be interrupted by the installation of components such as output reactors, sinusoidal filters, dv/dt filters, fuses, contactors. The components must be mounted on a mounting panel which simultaneously serves as the shield connection for the incoming and outgoing motor cables. Grounded partitions may be necessary to shield the components.
- Rule 20** In order to limit the radio interference (especially for limit value class "First environment "), in addition to the line supply cable, all cables externally connected to the cabinet must be shielded.
- Examples of these basic rules:

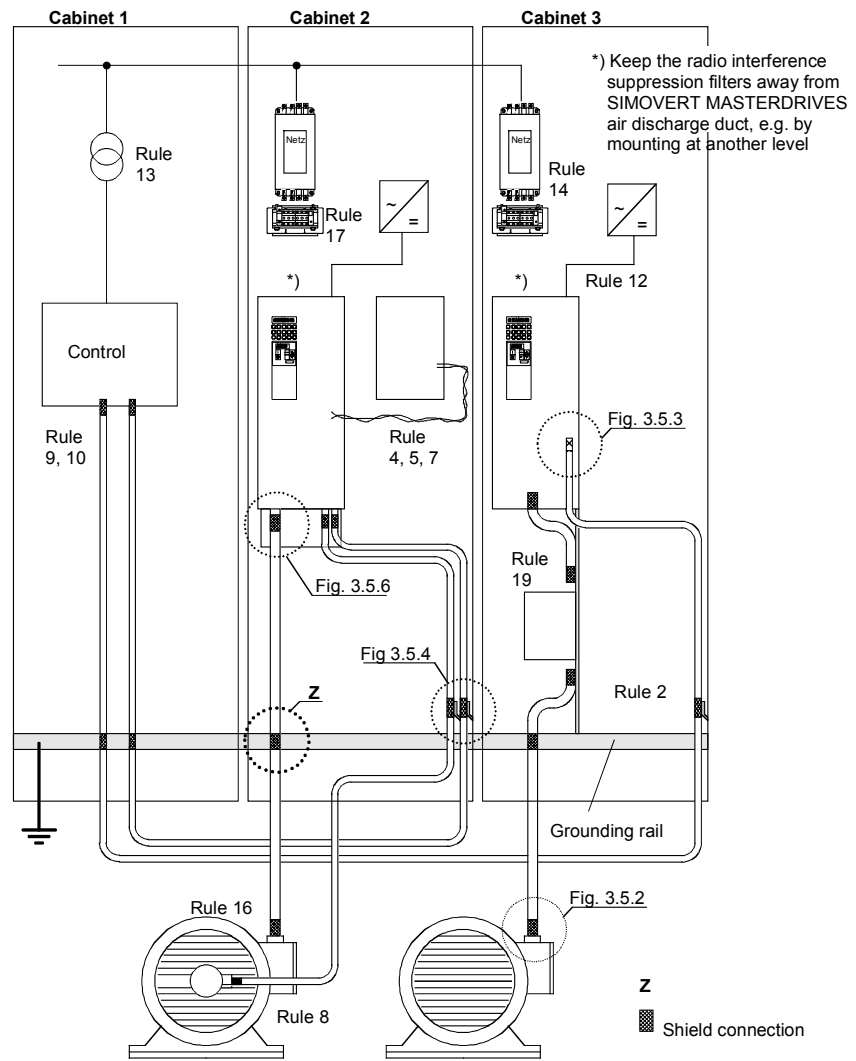


Fig. 3-9 Examples for applying the basic EMC rules

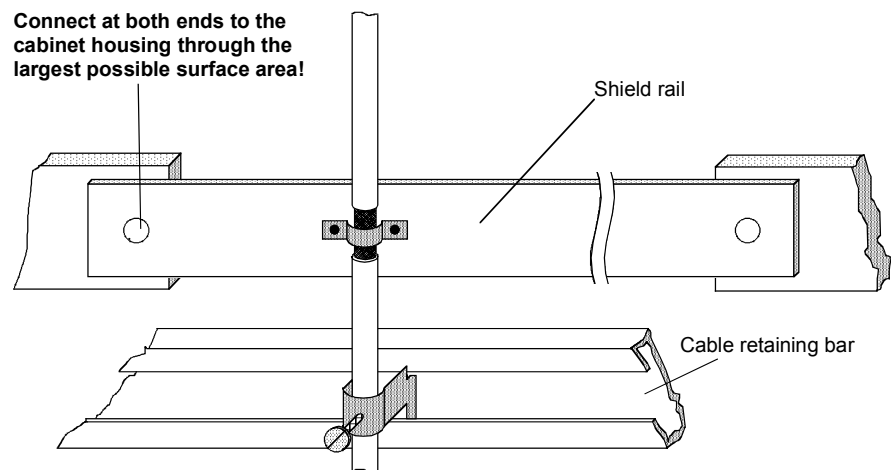


Fig. 3-10 Connecting the motor cable shield where the cable enters the cabinet

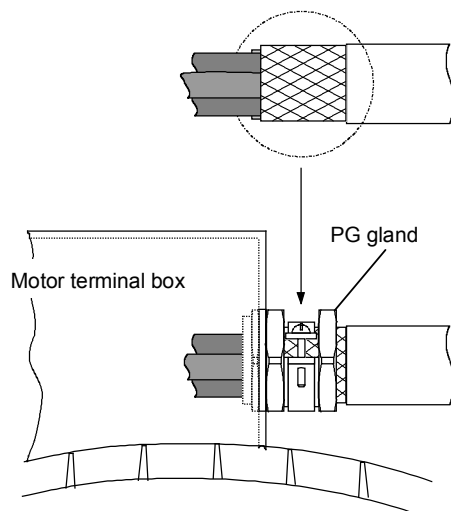


Fig. 3-11 Shield connection at the motor

The shield can be connected through a PG gland (nickel-plated brass) with a strain relief bar. Thus, the degree of protection IP 20 can be achieved.

For higher degrees of protection (up to IP 68), there are special PG glands with shield connection, e.g.:

- ◆ SKINDICHT SHVE, Messrs. Lapp, Stuttgart
- ◆ UNI IRIS Dicht or UNI EMV Dicht, Messrs. Pflitsch, Hückeswagen

It is not permissible to use plastic motor terminal boxes!

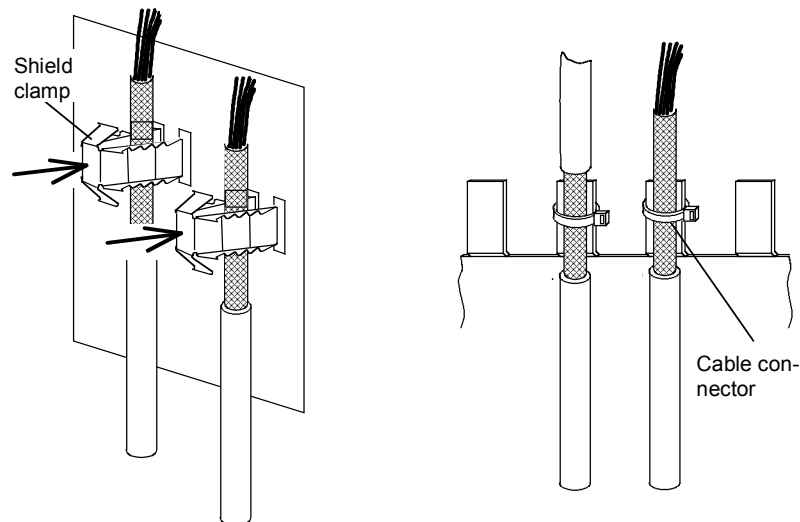


Fig. 3-12 Connecting the signal cable shields for SIMOVERT MASTERDRIVES

- ◆ Every SIMOVERT MASTERDRIVES has shield clamps to connect the signal cable shields.
- ◆ For chassis units (sizes $\geq E$), the shields can be additionally connected using cable connectors at the shield connecting locations.

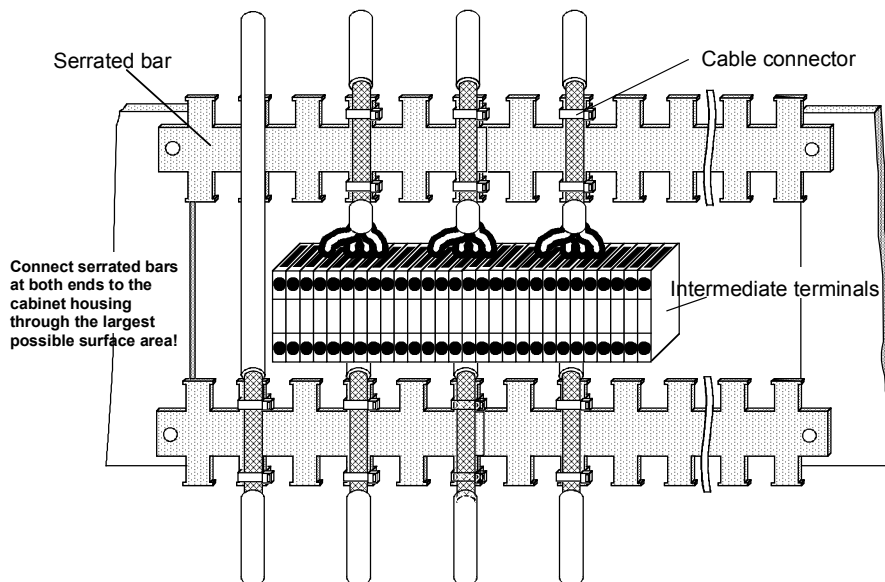


Fig. 3-13 Connecting signal cable shields in the cabinet

Wherever possible, intermediate terminals should not be used as they reduce the shielding effect!

3.5.2 Examples

Compact PLUS type drive

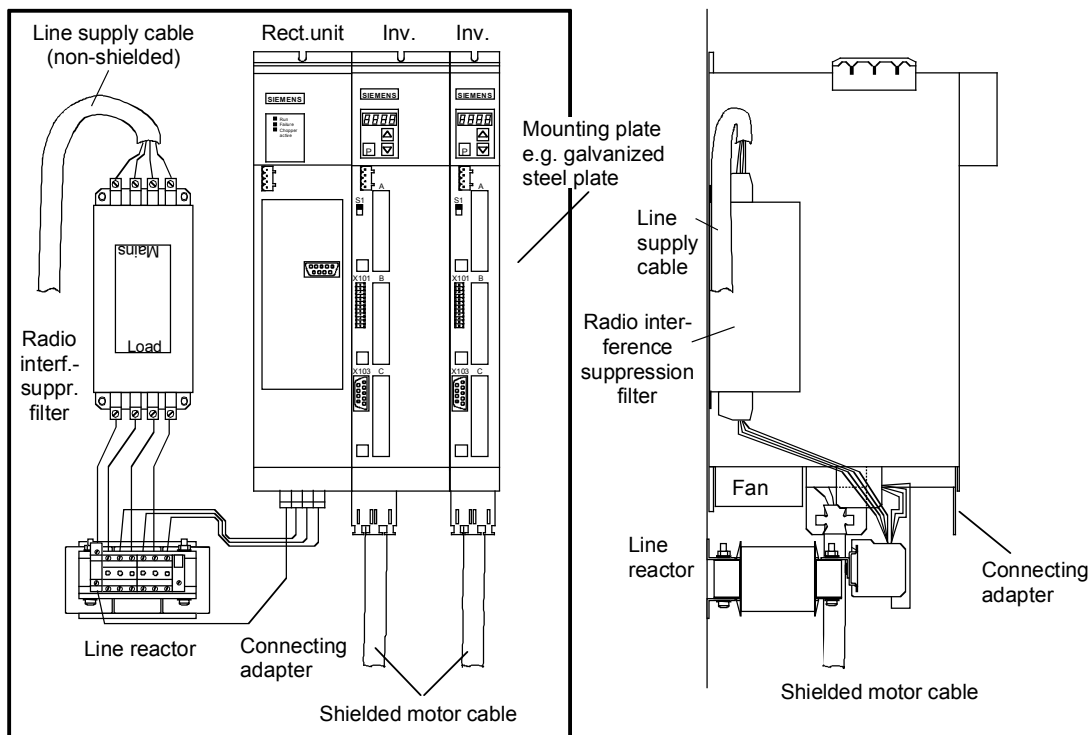


Fig. 3-14 Example of a Compact PLUS type unit with radio interference suppression filter and line reactor

The cabling should be kept as short as possible. The line supply cable to the radio interference suppression filter must be routed separately away from other cables (zone concept!).

The motor must be connected using a shielded cable! The shield has to be connected through the largest possible surface area at the motor and the inverter.

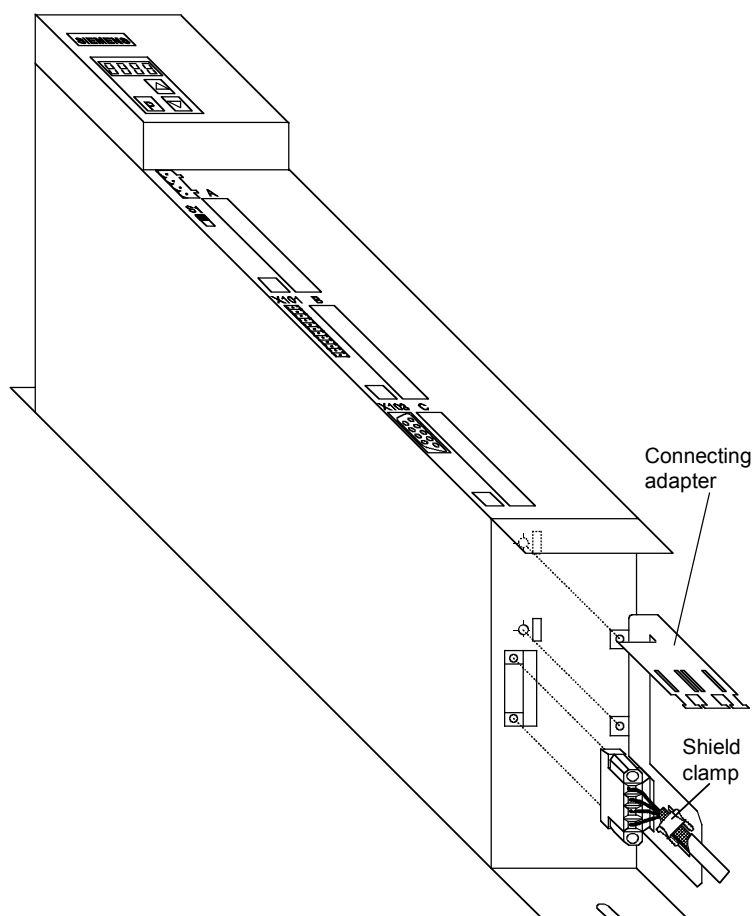


Fig. 3-15 Installing the motor connection and the connecting adapter

The following procedure should be carried out to connect the motor cable and to mount the shield:

- ◆ First connect the motor cable to the removed X2 motor connector
- ◆ Connect the shield of the motor cable through the largest possible surface area at the connecting adapter, e.g. with shield clamps.
- ◆ Insert the fastening straps of the connecting adapter through the slots in the lower housing section and screw them into place.
- ◆ Locate the motor connector X2 and screw tightly to the unit.

The control cables can be attached at the front of the connecting adapter using shield clamps.

Drive unit of Compact type

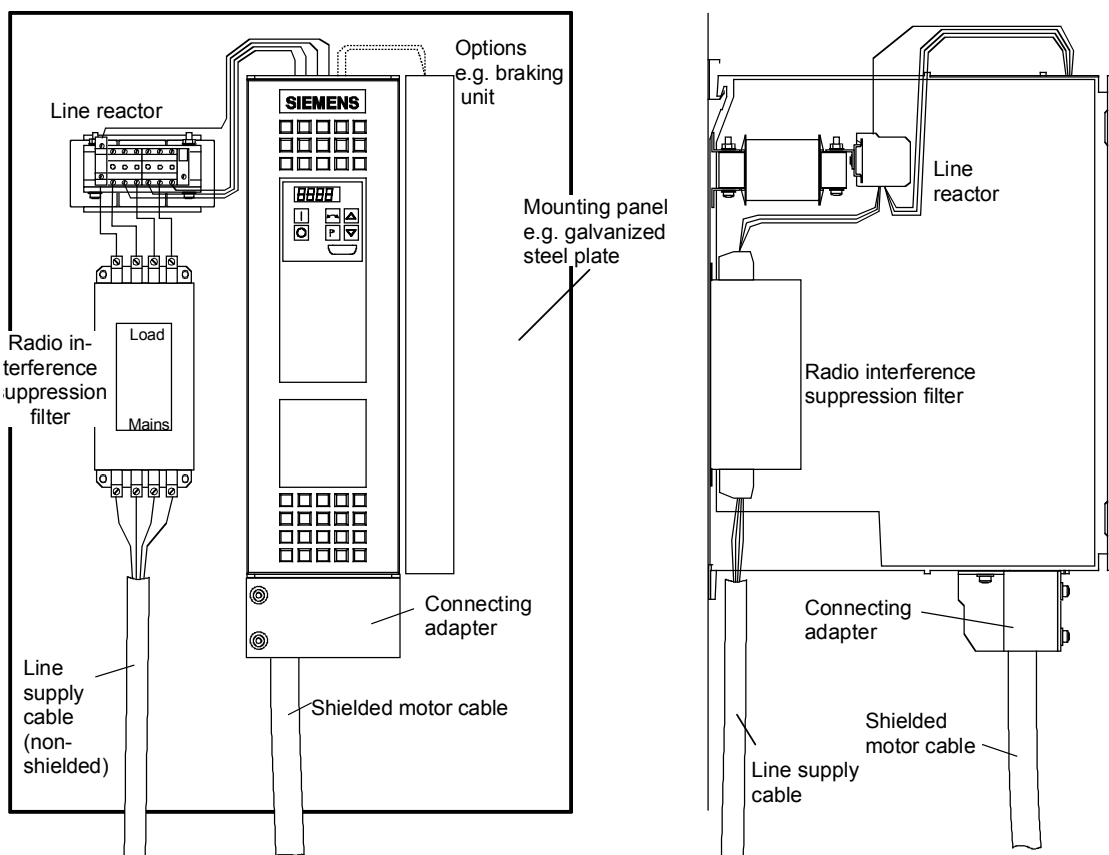


Fig. 3-16 Example of a Compact type unit with radio interference suppression filter and line reactor

The cabling should be kept as short as possible. The line supply cable to the radio interference suppression filter must be routed separately away from other cables (zone concept!).

The motor must be connected using a shielded cable! The shield must be connected through the largest possible surface area at the motor and drive converter. The optional connecting adapter can be used to connect the shield to SIMOVERT MASTERDRIVES.

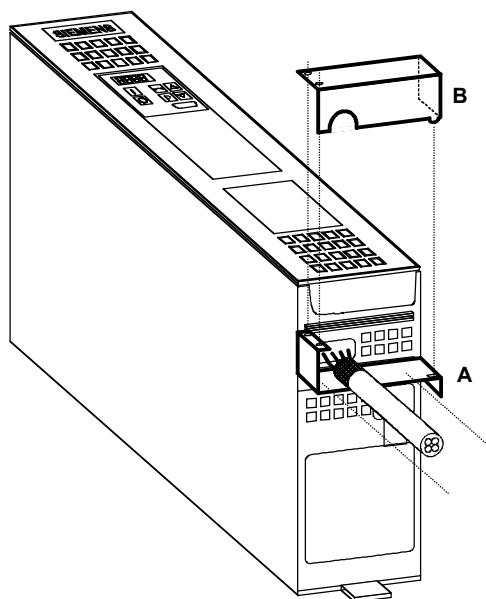


Fig. 3-17 Mounting the connecting adapter

- ◆ Screw lower section A to SIMOVERT MASTERDRIVES.
- ◆ Mount SIMOVERT MASTERDRIVES on the mounting panel.
- ◆ Connect the shielded motor cable and shield to section A through the largest possible surface area, e.g. attach using cable connectors.
- ◆ Locate upper part B and screw into place. The shields of signal cables can be connected to the upper section.

Chassis type drive unit

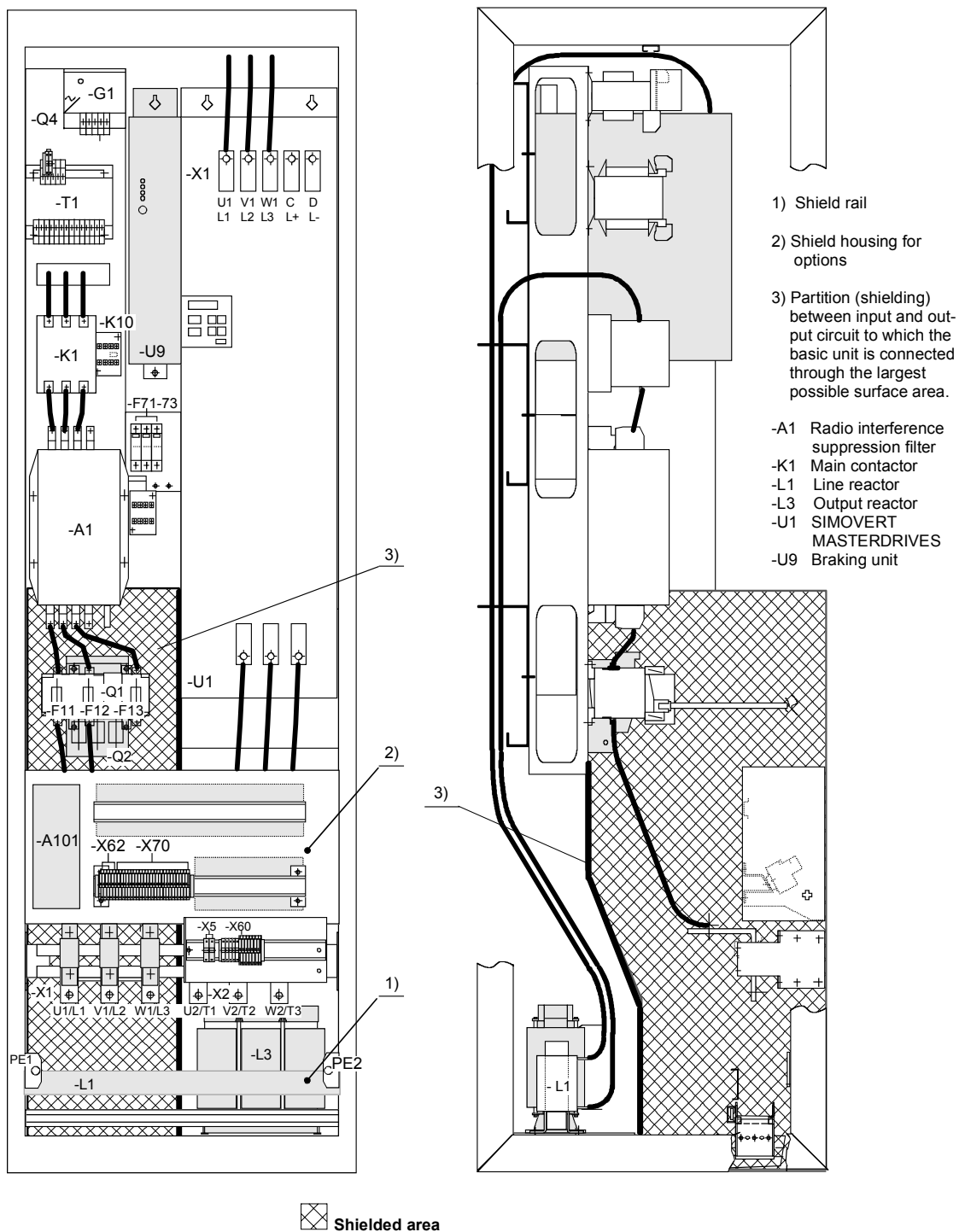


Fig. 3-18 Example of a chassis unit mounted in the cabinet with radio interference suppression filter and line reactor

Example of correct cable routing

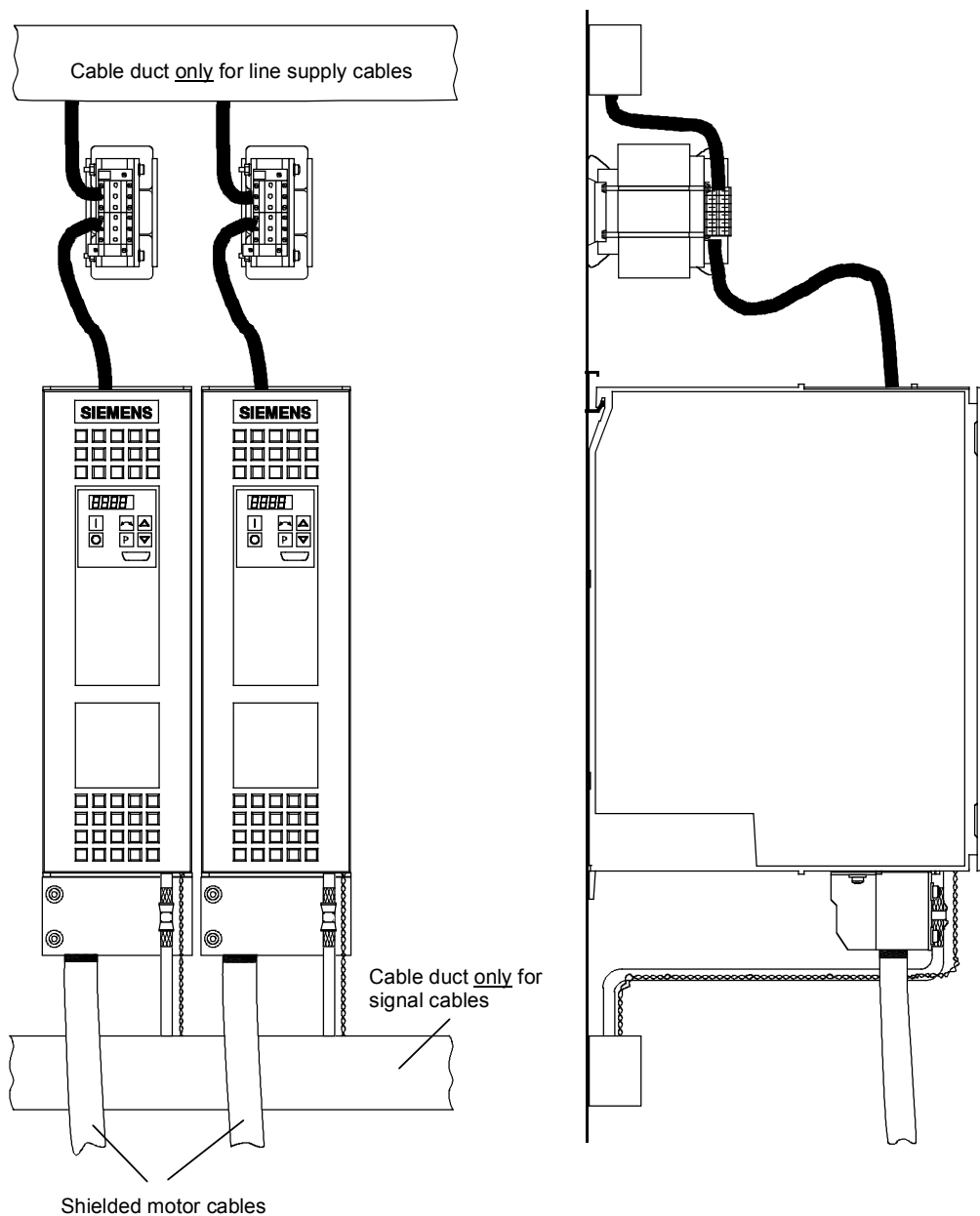


Fig. 3-19 Installation with separate cable ducts

Installation with cable ducts only for the line supply cables. Line supply cables are non-shielded.

The motor and signal cables are routed separately from each other.

The shields of the motor and signal cables have to be mounted on the shield connections through the largest possible surface area.

**Example of
incorrect cable
routing**

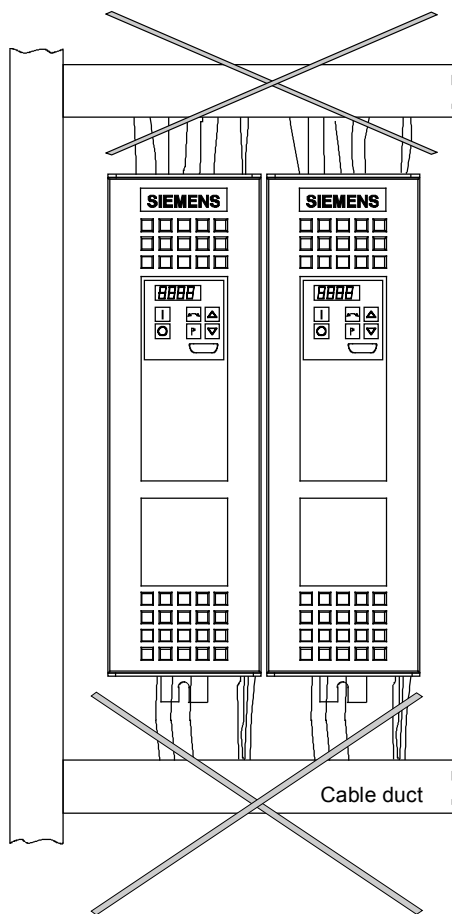


Fig. 3-20 Installation with cable ducts

Installation with cable ducts, mounted on a painted mounting panel. All of the cables are non-shielded.

Optically this layout looks good.

But from an EMC perspective, this installation is useless!

The motor and signal cables are routed in parallel in the lower cable duct. The same is true for line supply cables and external power supplies in the upper cable duct. All of the cables are then routed together in the vertical cable duct.

Cabling such as this allows noise to be easily propagated and coupled-in!

3.6 Assignment of SIMOVERT MASTERDRIVES, radio interference suppression filters and line reactors

The assignment of SIMOVERT MASTERDRIVES, radio interference suppression filters and line reactors is specified in Catalog DA65.11 and the Operating Instructions for the 6SE70 radio interference suppression filters.

The 6SE70 radio interference suppression filters were checked to make sure they maintain the limit values, using layouts consisting of SIMOVERT MASTERDRIVES and the associated line reactors. The components were mounted in cabinets (Type 8MC) in observance of the specified rules. The motor feeder cable was 30 m long.

3.7 Specified standards

EN 55011:	1991	Limits and methods of measurement of radio disturbance characteristics of industrial, scientific and medical (ISM) radio-frequency equipment
EN 50081-1:	1992	Generic emission standard Part 1: Residential, commercial and light industry
EN 50081-2:	1993	Generic emission standard Part 2: Industrial environment
EN 50082-1:	1992	Generic immunity standard Part 1: Residential, commercial and light industry
EN 50082-2:	1995	Generic immunity standard Part 2: Industrial environment
EN 61800-3:	1996	EMC product standard including special test methods for variable-speed electric drive units