

# Catalog Numbers, Features and Ratings

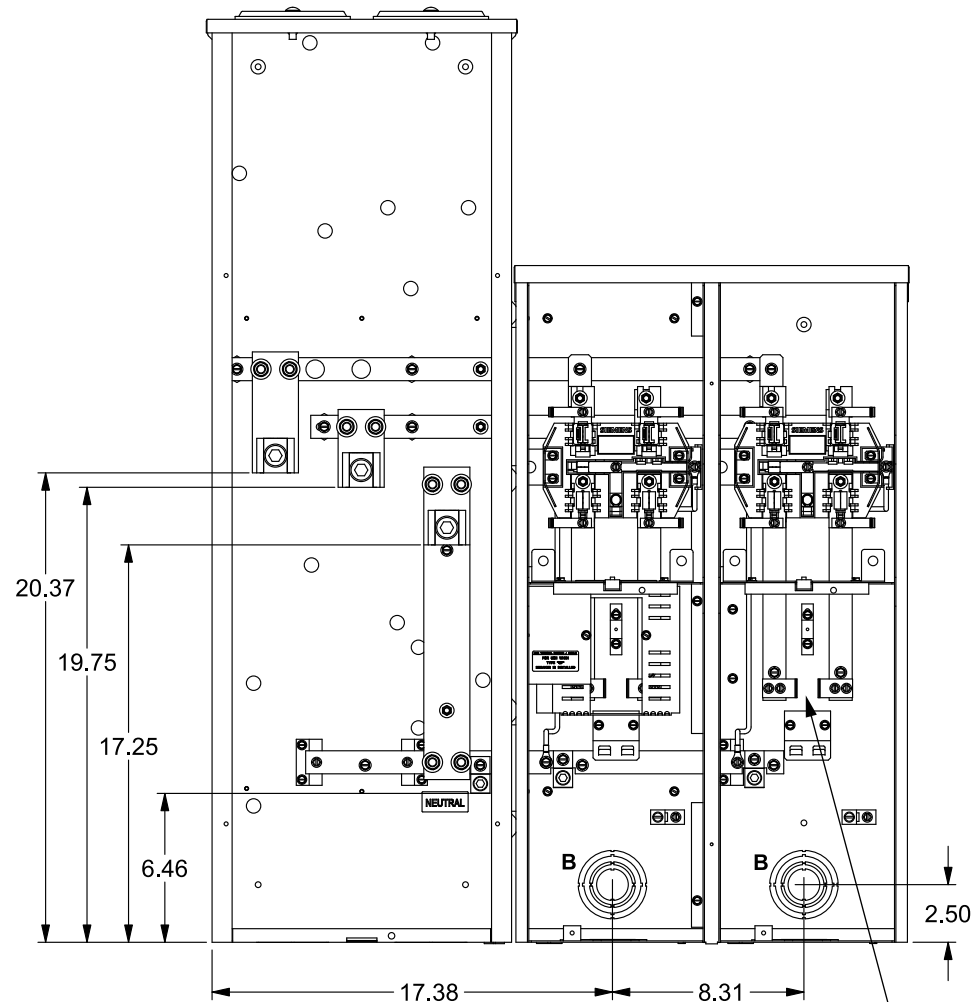
Catalog Number	Max. Bus Rating	Max. Meter Socket Rating	AIC Rating Max.	Max. Branch Rating	Meter Positions	Meter Socket Cover	5th Jaw Installed	Horn Bypass Installed
WEPK4212*	400A	200A Cont.	65,000	225A	2	Ring Type	No	N/A
WEPK4212RJ	400A	200A Cont.	65,000	225A	2	Ringless	Yes	No
WEPK4212RJB	400A	200A Cont.	65,000	225A	2	Ringless	Yes	Yes

\*Meets EUSERC Dwg. No. 342, 353 with WPKSK600 Kit Installed

- 120/240 V~, 1 Phase, 3 Wire  
208Y/120 V~, 1 Phase, 3 Wire (5th Jaw May Be Required)
- Suitable Only For Use As Service Equipment.
- Type 3R Outdoor Enclosure  
Material/finish: ANSI 61 Gray Baked Powder Coat  
Paint Over G-90 Galvanized, Phosphatized Steel
- (2) Service Disconnects in Separate Compartments
- 7/16" and 7/8" Barrel Lock Provisions
- Provision for SPD Surge Protection available with mounting kit (sold separately - see accessories)
- NEC 2020 Compliant



VIEW SHOWN WITH COVERS, SHIELDS, AND DEADFRONTS REMOVED



VIEW SHOWN WITH LINE TERMINAL BARRIERS REMOVED ON THIS COMPARTMENT

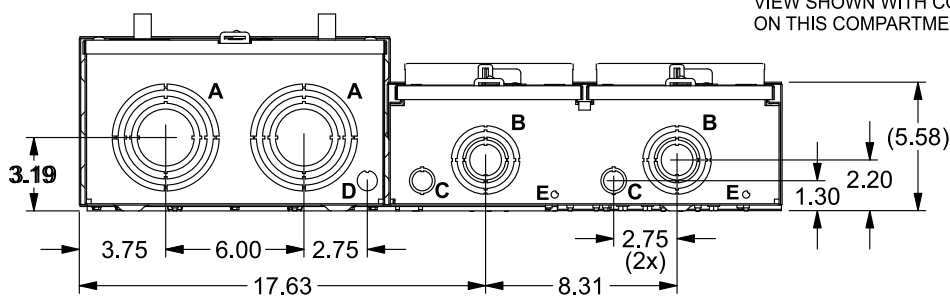
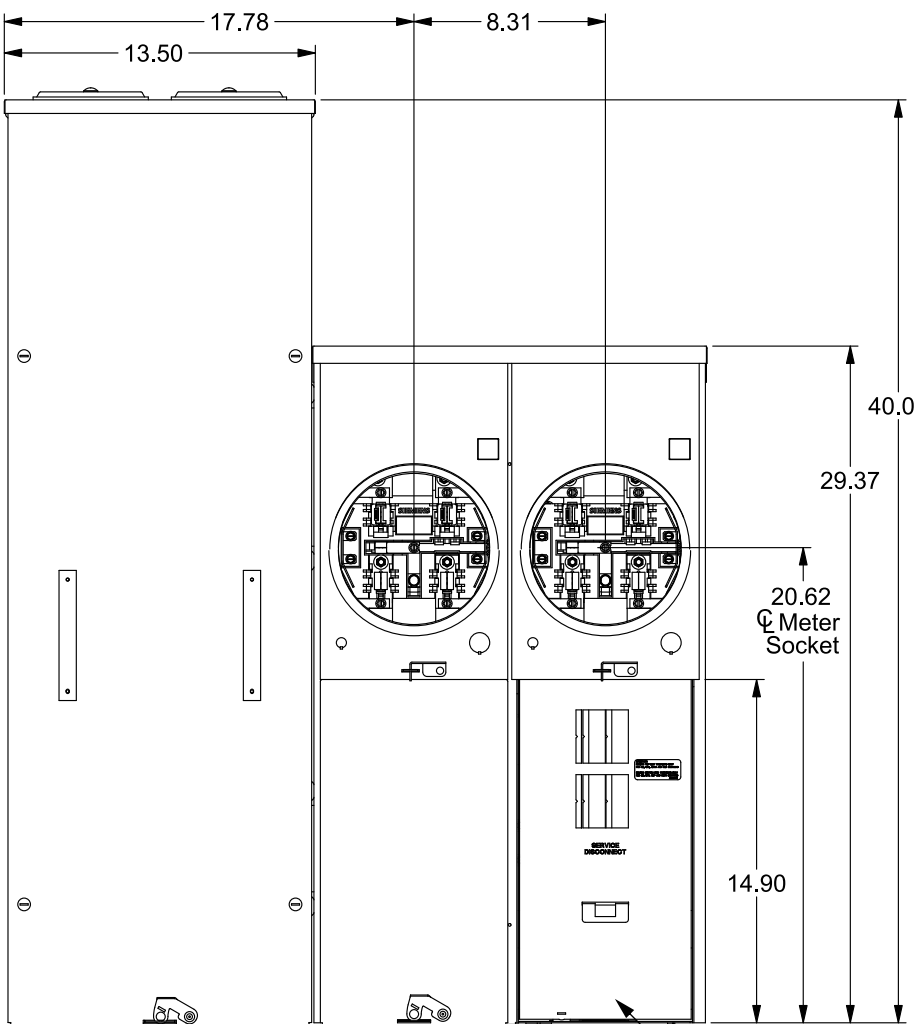
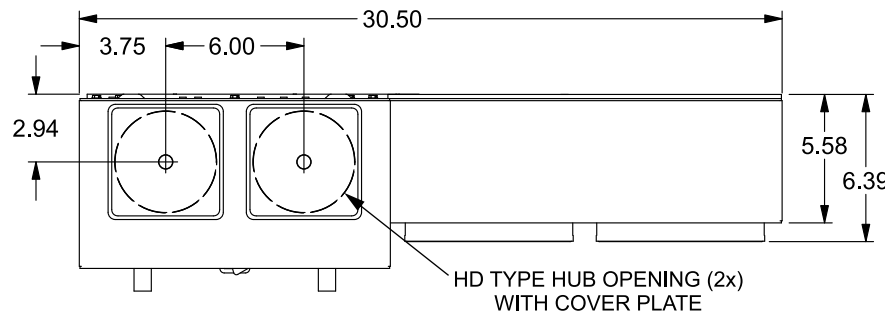
DESIGNATION	QTY	KNOCKOUT
A	2	4, 3-1/2, 3, 2-1/2, 2"
B	4	2-1/2, 2, 1-1/2, 1-1/4, 1"
C	2	3/4, 1/2"
D	1	1/2"
E	2	1/4"

# Accessories, Replacement Parts

Use HD Type Hubs if required

Trade Size (in)	Catalog No.
2"	EC56854
2-1/2"	EC56855
3"	EC56856
3-1/2"	EC56857
4"	EC56858
Closure Plate	EC56933S

- Accessories**
- 5th Jaw, 6 or 9 o'Clock Position . . . . . ECMF5
  - Meter Socket Cover Plate (Ring Type) . . . . . ECPP
  - Meter Socket Cover Plate (Ringless) . . . . . ECCP3
  - Horn By-Pass (Ringless Only) . . . . . ECMFH
  - SPD Surge Protection Mtg Kit . . . . . WEPKSPD600 (SPD sold separately)



**NEMA Stud Kit<sup>1</sup> WPKSK600 (for overhead or underground feed)**

NEMA Lug <sup>2</sup>	MFG	Wire Range	Type	No. Wires per phase	Torque (lb.-in.)
LK12350N2	Siemens	#6-350 kcmil	Mechanical	2	275
LK11750N2	Siemens	750-300 kcmil	Mechanical	1	500
LK12500N2	Siemens	1/0-500 kcmil	Mechanical	2	500
ALND-500-12-134	ILSCO	500 kcmil	Compression	2	N/A <sup>3</sup>
ALND-700/750-12-134	ILSCO	750 kcmil	Compression	1	N/A <sup>3</sup>

- Kit contains lug mounting pads with NEMA stud pattern for use with mechanical and compression lugs. Order lug kits from chart above.
- Order one mechanical lug kit for mains and neutral. Contact lug manufacturer for compression lug quantities supplied for each kit.
- See lug manufacturer's instruction sheet supplied with the connector for tool, die, and number of crimps.

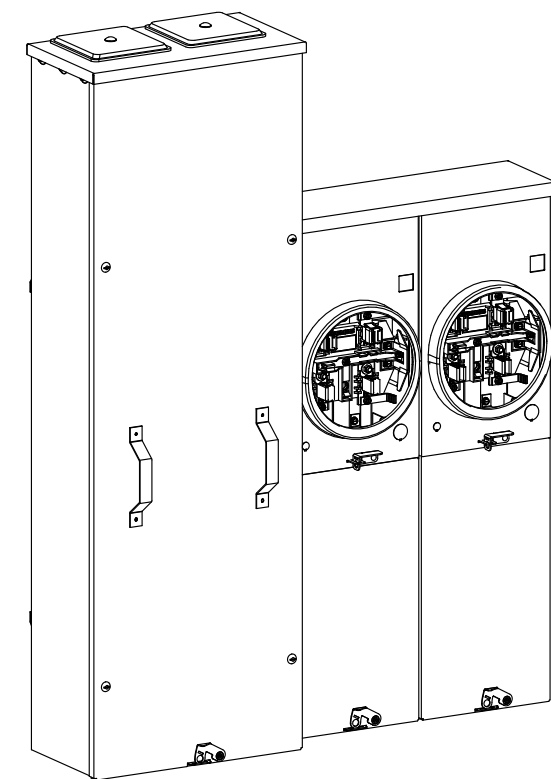
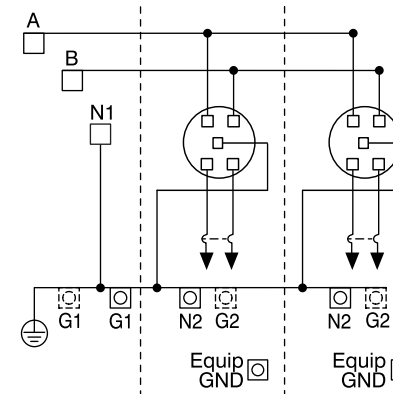
Cat. No. WEPK4212RJB SHOWN

# Terminal Wire Sizes and Torques

(refer to schematic)

Terminal	Wire Size	Torque
A, B, N1	750 kcmil-1/0 CU-AL (2) 250kcmil-1/0 AL (2) 3/0 - 1/0 AWG CU	500 LB-IN
N2, G1	300 kcmil - #4 AWG	275 LB-IN
Equip GND, G2	2/0 - 14 AWG	50 LB-IN
Repl. Lug Kit WPKLK400	750 kcmil-1/0 CU-AL (2) 250kcmil-1/0 AL (2) 3/0 - 1/0 AWG CU	500 LB-IN

# Schematic



© 2023 Copyright Siemens Industry, Inc.

**SIEMENS**  
Siemens Industry, Inc.

**Uni-PAK Metering**

Description: **WEPK Series, 400A Bus, 2 Position, 200A Meter**

KAM 11/27/23 DO NOT SCALE DRAWING Dwg No: **WEPK4212x**