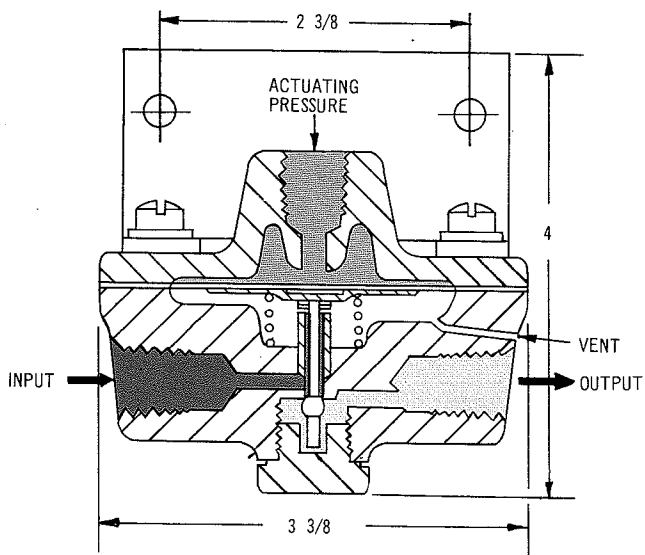


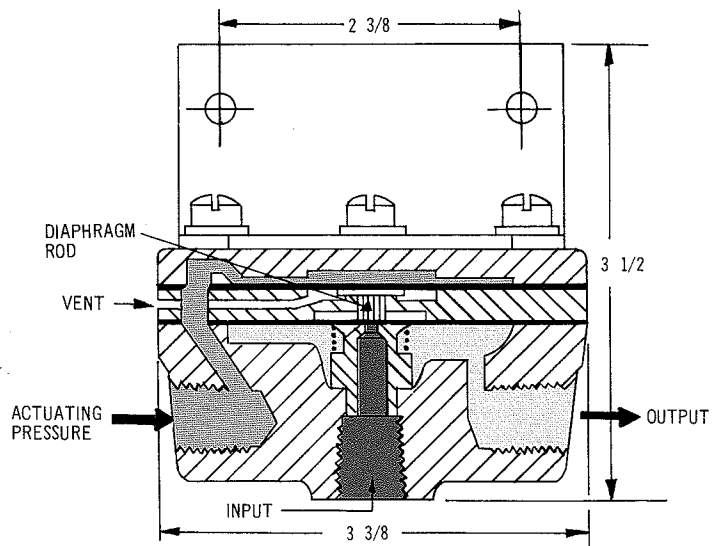
MOORE CUT-OFF RELAYS

GC-64

MODEL 64 AIR-TO-OPEN RELAY



MODEL 64D AIR-TO-CLOSE RELAY



ALL CONNECTIONS ARE 1/4" NPT

Series 64 cut-off relays are actually two-port, air-actuated valves—designed for pneumatic service.

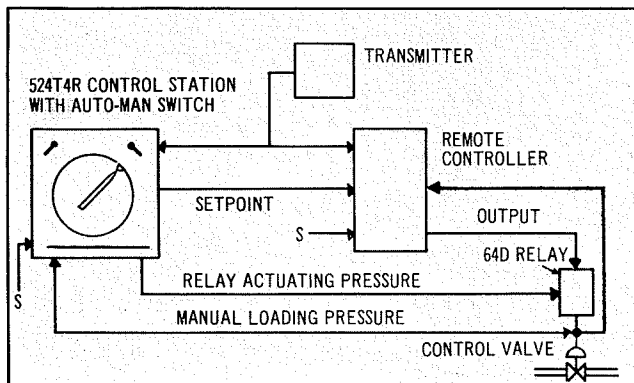
The model 64 is a normally closed (air-to-open) relay. As the above drawing illustrates, the application of an actuating pressure will open the valve-plunger assembly; permitting the input pressure to pass directly to the output connection. This relay has a metal-to-metal valve seat.

The model 64D is a normally open (air-to-close) relay. In this case, the application of a loading pressure will force the diaphragm rod downward; effectively sealing off the input pressure from the output. This relay uses a neoprene seat to insure a bubble-tight seal.

With either of these relays, the output pressure will be cut off—or turned on—by a much lower actuating pressure.

Remote Cut-Off for Model 50 Controller

Series 64 cut-off relays were designed originally for use with certain Nulmatic controllers. Other Moore



controllers incorporate an integral cut-off relay for automatic-manual switching. In either case, whether the cut-off relay is built into the controller or if it is not, the relay is used to cut off the controller output and to seal in the valve pressure.

The illustration at the bottom of the page shows how a 64D cut-off relay can be used with a remotely mounted model 50 controller and a "T4R" control station.

The preceding example shows the principal use of series 64 cut-off relays. However, these instruments are also often used in simple pneumatic circuits, where a positive cut-off action—with a low actuating pressure—is required.

OPERATING CHARACTERISTICS

	Model 64	Model 64D
Nominal actuating pressures for input of 20 psi	1-4 psi	1-2 psi
Maximum operating pressure:	60 psi	
Ambient temperature limits:	-25° to +180°F	
Capacity: with 20 psig supply and 0 psig outlet	1.3 scfm	

Materials of Construction

Aluminum, brass, stainless steel, and neoprene.

MOORE PRODUCTS CO., Spring House, PA 19477
Subsidiaries: Canada, France, India, Italy, Mexico, Netherlands & United Kingdom