

SINAMICS S120

Function Manual · 10/2008

SINAMICS

SIEMENS

SIEMENS

SINAMICS

S120 Drive functions

Function Manual




Foreword	
Infeed	1
Extended setpoint channel	2
Servo control	3
Vector control	4
Vector V/f control (r0108.2 = 0)	5
Basic functions	6
Function modules	7
Monitoring and protective functions	8
Safety Integrated basic functions	9
Communication PROFIBUS DP/PROFINET IO	10
Applications	11
Basic information about the drive system	12
Appendix	A

Applies to:
Firmware version 2.6 SP1

Legal information

Warning notice system

This manual contains notices you have to observe in order to ensure your personal safety, as well as to prevent damage to property. The notices referring to your personal safety are highlighted in the manual by a safety alert symbol, notices referring only to property damage have no safety alert symbol. These notices shown below are graded according to the degree of danger.

 DANGER
indicates that death or severe personal injury will result if proper precautions are not taken.
 WARNING
indicates that death or severe personal injury may result if proper precautions are not taken.
 CAUTION
with a safety alert symbol, indicates that minor personal injury can result if proper precautions are not taken.
CAUTION
without a safety alert symbol, indicates that property damage can result if proper precautions are not taken.
NOTICE
indicates that an unintended result or situation can occur if the corresponding information is not taken into account.


If more than one degree of danger is present, the warning notice representing the highest degree of danger will be used. A notice warning of injury to persons with a safety alert symbol may also include a warning relating to property damage.

Qualified Personnel

The device/system may only be set up and used in conjunction with this documentation. Commissioning and operation of a device/system may only be performed by **qualified personnel**. Within the context of the safety notes in this documentation qualified persons are defined as persons who are authorized to commission, ground and label devices, systems and circuits in accordance with established safety practices and standards.

Proper use of Siemens products

Note the following:

 WARNING
Siemens products may only be used for the applications described in the catalog and in the relevant technical documentation. If products and components from other manufacturers are used, these must be recommended or approved by Siemens. Proper transport, storage, installation, assembly, commissioning, operation and maintenance are required to ensure that the products operate safely and without any problems. The permissible ambient conditions must be adhered to. The information in the relevant documentation must be observed.

Trademarks

All names identified by ® are registered trademarks of the Siemens AG. The remaining trademarks in this publication may be trademarks whose use by third parties for their own purposes could violate the rights of the owner.

Disclaimer of Liability

We have reviewed the contents of this publication to ensure consistency with the hardware and software described. Since variance cannot be precluded entirely, we cannot guarantee full consistency. However, the information in this publication is reviewed regularly and any necessary corrections are included in subsequent editions.

Foreword

SINAMICS documentation

The SINAMICS documentation is organized in 2 parts:

- General documentation / Catalogs
- Manufacturer / Service documentation

A current overview of the documentation in the available languages is provided in the Internet:

<http://www.siemens.com/motioncontrol>

Select the menu items "Support" --> "Technical Documentation" --> "Overview of Publications."

The Internet version of DOConCD (DOConWEB) is available on the Internet:

<http://www.automation.siemens.com/doconweb>

Information on the range of training courses and FAQs (Frequently Asked Questions) is available on the Internet:

<http://www.siemens.com/motioncontrol>

Follow the menu item "Support".

Usage phases and their tools/documents (as an example)

Table 1 Usage phases and the available documents/tools

Usage phase	Document/tool
Orientation	SINAMICS S Sales Documentation
Planning/configuration	<ul style="list-style-type: none">• SIZER configuration tool• Configuration Manuals, Motors
Decision/ordering	SINAMICS S Catalogs
Installation/assembly	<ul style="list-style-type: none">• SINAMICS S110 Equipment Manual• SINAMICS S120 Equipment Manual for Control Units and Additional System Components• SINAMICS S120 Equipment Manual for Booksize Power Units• SINAMICS S120 Equipment Manual for Booksize Compact Power Units• SINAMICS S120 Equipment Manual for Chassis Power Units• SINAMICS S120 Equipment Manual for AC Drives

Usage phase	Document/tool
Commissioning	<ul style="list-style-type: none"> • STARTER parameterization and commissioning tool • SINAMICS S120 Getting Started • SINAMICS S120 Commissioning Manual • SINAMICS S120 CANopen Commissioning Manual • SINAMICS S120 Function Manual • SINAMICS S120/S150 List Manual
Usage/operation	<ul style="list-style-type: none"> • SINAMICS S120 Commissioning Manual • SINAMICS S120/S150 List Manual
Maintenance/servicing	<ul style="list-style-type: none"> • SINAMICS S120 Commissioning Manual • SINAMICS S120/S150 List Manual
References	<ul style="list-style-type: none"> • SINAMICS S120/S150 List Manual

Target group

This documentation is intended for machine manufacturers, commissioning engineers, and service personnel who use the SINAMICS S drive system.

Benefits

The Function Manual describes all the procedures and operational instructions required for the commissioning of functions and servicing of SINAMICS S120.

The Function Manual is structured as follows:

- Chapter 1 Infeed
- Chapter 2 Extended setpoint channel
- Chapter 3 Servo control
- Chapter 4 Vector control
- Chapter 5 Vector V/f control (r0108.2 = 0)
- Chapter 6 Basic functions
- Chapter 7 Function modules
- Chapter 8 Monitoring and protective functions
- Chapter 9 Safety Integrated Basic Functions
- Chapter 10 Communication PROFIBUS DP/PROFINET IO
- Chapter 11 Applications
- Chapter 12 Basic information about the drive system

Advice for beginners:

First read the chapter on basic functions and then read the relevant chapters.

Search guides

The following guides are provided to help you locate information in this manual:

1. Contents
2. List of abbreviations
3. Index

Standard scope

The scope of the functionality described in this document can differ from the scope of the functionality of the drive system that is actually supplied.

- Other functions not described in this documentation might be able to be executed in the drive system. However, no claim can be made regarding the availability of these functions when the equipment is first supplied or in the event of servicing.
- Functions can be described in the documentation that are not available in a particular product version of the drive system. The functionality of the supplied drive system should only be taken from the ordering documentation.
- Extensions or changes made by the machine manufacturer must be documented by the machine manufacturer.

For reasons of clarity, this documentation does not contain all of the detailed information on all of the product types. This documentation cannot take into consideration every conceivable type of installation, operation and service/maintenance.

Technical Support

In case of questions, please contact us through the following hotline:

	Europe/Africa
Phone	+49 180 5050 - 222
Fax	+49 180 5050 - 223
Internet	http://www.siemens.de/automation/support-request

	America
Phone	+1 423 262 2522
Fax	+1 423 262 2200
E-mail	mailto:techsupport.sea@siemens.com

	Asia/Pacific
Phone	+86 1064 719 990
Fax	+86 1064 747 474
E-mail	mailto:adsupport.asia@siemens.com

Note

Country-specific telephone numbers for technical support are provided under the following Internet address:

<http://www.siemens.com/automation/service&support>

Calls are subject to charge (e.g. € 0.14/min from fixed lines within Germany).

Tariffs of other phone providers may differ.

Questions on the manual

If you have any questions (suggestions, corrections) regarding this documentation, please fax or e-mail us at:

Fax	+49 9131 98 63315
E-mail	E-mail to: docu.motioncontrol@siemens.com

A fax form is available in the appendix of this document.

Internet address for SINAMICS

<http://www.siemens.com/sinamics>.

EC Declaration of Conformity

The EC Declaration of Conformity for the EMC Directive can be obtained from:

- Internet

<http://www.ad.siemens.de/csinfo>
Product/Order no: 15257461

- Branch offices

For the responsible regional offices of the A&D MC business division of Siemens AG.

Notation

The following notation and abbreviations are used in this documentation:

Notation for parameters (examples):


- p0918 Adjustable parameter 918
- r1024 Display parameter 1024
- p1070[1] Adjustable parameter 1070, index 1
- p2098[1].3 Adjustable parameter 2098, index 1, bit 3

- p0099[0...3] Adjustable parameter 99 indices 0 to 3
- r0945[2](3) Display parameter 945 index 2 of drive object 3
- p0795.4 Adjustable parameter 795 bit 4

Notation for faults and alarms (examples):

- F12345 Fault 12345
- A67890 Alarm 67890

ESD Notes

 CAUTION
<p>Electrostatic sensitive devices (ESD) are single components, integrated circuits or devices that can be damaged by electrostatic fields or electrostatic discharges.</p> <p>Regulations for the ESD handling:</p> <p>During the handling of electronic components, pay attention to the grounding of the person, workplace and packaging!</p> <p>Electronic components may be touched by persons only when</p> <ul style="list-style-type: none">• these persons are grounded using an ESD bracelet, or• these persons in ESD areas with a conducting floor wear ESD shoes or ESD grounding straps. <p>Electronic components should be touched only when this is unavoidable. The touching is permitted only on the front panel or on the circuit board edge.</p> <p>Electronic components must not be brought into contact with plastics or clothing made of artificial fibers.</p> <p>Electronic components may only be placed on conducting surfaces (table with ESD coating, conducting ESD foamed material, ESD packing bag, ESD transport container).</p> <p>Electronic components may not be placed near display units, monitors or televisions (minimum distance from the screen > 10 cm).</p> <p>Measurements must only be taken on boards when the measuring instrument is grounded (via protective conductors, for example) or the measuring probe is briefly discharged before measurements are taken with an isolated measuring device (for example, touching a bare metal housing).</p>

Safety instructions

 **DANGER**

- Commissioning must not start until you have ensured that the machine in which the components described here are to be installed complies with Directive 98/37/EC.
- SINAMICS devices and AC motors must only be commissioned by suitably qualified personnel.
- The personnel must take into account the information provided in the technical customer documentation for the product, and be familiar with and follow the specified danger and warning notices.
- When electrical equipment and motors are operated, the electrical circuits automatically conduct a dangerous voltage.
- When the machine or system is operated, hazardous axis movements can occur.
- All of the work carried out on the electrical machine or system must be carried out with it in a no-voltage condition.
- SINAMICS devices with AC motors must only be connected to the power supply via an AC-DC residual-current-operated device with selective switching once verification has been provided that the SINAMICS device is compatible with the residual-current-operated device in accordance with EN 50178, Chapter 5.2.11.2.

 **WARNING**

- The successful and safe operation of this equipment and motors is dependent on correct transport, proper storage, installation and mounting as well as careful operator control, service and maintenance.
- For special versions of the drive units and motors, information and data in the Catalogs and quotations additionally apply.
- In addition to the danger and warning information provided in the technical customer documentation, the applicable national, local, and plant-specific regulations and requirements must be taken into account.
- Only protective extra-low voltages (PELV) that comply with EN60204-1 may be connected to all connections and terminals between 0 and 48 V.

 **CAUTION**

- The motors can have surface temperatures of over +80 °C.
- This is the reason that temperature-sensitive components, e.g. cables or electronic components may neither be in contact nor be attached to the motor.
- When attaching the connecting cables, you must ensure that:
 - they are not damaged
 - they are not under tension
 - they cannot come into contact with any rotating parts

 **CAUTION**

- As part of routine tests, SINAMICS devices with AC motors undergo a voltage test in accordance with EN 50178. Before the voltage test is performed on the electrical equipment of industrial machines to EN 60204-1, Section 19.4, all connectors of SINAMICS equipment must be disconnected/unplugged to prevent the equipment from being damaged.
- Motors should be connected-up according to the circuit diagram provided. otherwise they can be destroyed.

Note

When operated in proper condition and in dry operating areas, SINAMICS devices with three-phase motors conform to Low-Voltage Directive 73/23/EEC.

Contents

	Foreword	5
1	Infeed	21
1.1	Active Infeed	21
1.1.1	Introduction	21
1.1.2	Active Infeed closed-loop control Booksize	22
1.1.3	Active Infeed closed-loop control Chassis	24
1.1.4	Integration	25
1.1.5	Line and DC link identification.....	26
1.1.6	Active Infeed open-loop control	27
1.1.7	Reactive current control	29
1.1.8	Harmonics controller	30
1.2	Smart Infeed.....	30
1.2.1	Smart Infeed closed-loop control	30
1.2.2	Line supply and DC link identification routine for Smart Infeed Booksize	33
1.2.3	Smart Infeed open-loop control.....	34
1.3	Basic Infeed	37
1.3.1	Basic Infeed open-loop control	37
1.3.2	Basic Infeed open-loop control	39
1.4	Line contactor control.....	42
1.5	Pre-charging and bypass contactor chassis	44
2	Extended setpoint channel	45
2.1	Activating the "extended setpoint channel" function module in servo mode	45
2.2	Description	46
2.3	Jog	47
2.4	Fixed speed setpoints.....	51
2.5	Motorized potentiometer	52
2.6	Main/supplementary setpoint and setpoint modification.....	54
2.7	Direction of rotation limiting and direction of rotation changeover.....	56
2.8	Suppression bandwidths and setpoint limits	57
2.9	Ramp-function generator	59
3	Servo control	65
3.1	Speed controller	68
3.2	Speed setpoint filter	68
3.3	Speed controller adaptation	70
3.4	Torque-controlled operation.....	72
3.5	Torque setpoint limitation	74
3.6	Current controller	79

3.7	Current setpoint filters	82
3.8	Note about the electronic motor model	87
3.9	V/f control for diagnostics	87
3.10	Optimizing the current and speed controller	90
3.11	Sensorless operation (without an encoder)	91
3.12	Motor data identification	95
3.12.1	Motor data identification - induction motor	98
3.12.2	Motor data identification - synchronous motor	99
3.13	Pole position identification	102
3.14	Vdc control	106
3.15	Dynamic Servo Control (DSC)	109
3.16	Travel to fixed stop	112
3.17	Vertical axes	116
3.18	Variable signaling function	117
4	Vector control	119
4.1	Sensorless vector control (SLVC)	122
4.2	Vector control with encoder	126
4.3	Speed controller	126
4.4	Speed controller adaptation	129
4.5	Speed controller pre-control and reference model	131
4.6	Droop	135
4.7	Torque control	137
4.8	Torque limiting	140
4.9	Vdc control	141
4.10	Current setpoint filter	145
4.11	Current controller adaptation	145
4.12	Motor data identification and rotating measurement	146
4.13	Efficiency optimization	153
4.14	Quick magnetization for induction motors	154
4.15	Instructions for commissioning induction motors (ASM)	158
4.16	Instructions for commissioning permanent-magnet synchronous motors	160
4.16.1	Automatic encoder adjustment	164
4.16.2	Pole position identification	165
4.17	Flying restart	166
4.18	Synchronization	168
4.19	Use of the Voltage Sensing Module in vector drives	170
4.20	Simulation mode	172
4.20.1	Description	172

4.20.2	Features	172
4.20.3	Commissioning	172
4.21	Redundance operation power units	173
4.22	Bypass	174
4.22.1	Bypass with synchronization with overlap (p1260 = 1)	175
4.22.2	Bypass with synchronization, without overlap (p1260 = 2)	177
4.22.3	Bypass without synchronization (p1260 = 3)	179
5	Vector V/f control (r0108.2 = 0).....	183
5.1	Introduction	183
5.2	Voltage boost	186
5.3	Slip compensation	189
5.4	Vdc control	190
6	Basic functions	195
6.1	Changing over units	195
6.2	Reference parameters/normalizations	197
6.3	Modular machine concept	200
6.4	Sinusoidal filter	203
6.5	dv/dt filter plus VPL	204
6.6	Pulse frequency wobbling	205
6.7	Direction reversal without changing the setpoint	207
6.8	Automatic restart (vector, servo, infeed)	208
6.9	Armature short-circuit brake, internal voltage protection, DC brake	211
6.10	Integrated voltage protection	217
6.11	OFF3 torque limits	222
6.12	Technology function: friction characteristic	223
6.13	Simple brake control	224
6.14	Runtime (operating hours counter)	227
6.15	Component status display	228
6.16	Parking axis and parking encoder	229
6.17	Position tracking	232
6.17.1	General Information	232
6.17.2	Measuring gear	234
6.18	Terminal Module 41 (TM41)	238
6.19	Updating the firmware	244
6.19.1	Upgrading firmware and the project in STARTER	245
6.19.2	Downgrade disable	246
7	Function modules	249
7.1	Function modules - Definition and commissioning	249
7.2	Technology controller	250

7.3	Extended monitoring functions.....	254
7.4	Extended brake control.....	256
7.5	Braking Module.....	261
7.6	Cooling unit.....	262
7.7	Extended torque control (kT estimator, Servo).....	265
7.8	Closed-loop position control.....	267
7.8.1	General features.....	267
7.8.2	Position actual value conditioning.....	267
7.8.2.1	Features.....	267
7.8.2.2	Description.....	267
7.8.2.3	Indexed actual value acquisition.....	270
7.8.2.4	Load gear position tracking.....	272
7.8.2.5	Commissioning position tracking load gear using STARTER.....	277
7.8.2.6	Integration.....	278
7.8.3	Position controller.....	279
7.8.4	Monitoring functions.....	280
7.8.5	Measuring probe evaluation and reference mark search.....	282
7.8.6	Integration.....	284
7.9	Basic positioner.....	285
7.9.1	Mechanical system.....	287
7.9.2	Limits.....	290
7.9.3	Referencing.....	294
7.9.4	Traversing blocks.....	303
7.9.5	Travel to fixed stop.....	308
7.9.6	Direct setpoint input (MDI).....	311
7.9.7	Jog.....	314
7.9.8	Status signals.....	315
7.10	Connecting the motors in parallel.....	318
7.11	Parallel connection of power units.....	321
7.11.1	Description.....	321
7.11.2	Applications of parallel connections.....	323
7.11.3	Commissioning.....	335
7.11.4	Integration.....	335
7.12	Master/slave function for Active Infeed.....	336
7.12.1	Operating principle.....	336
7.12.2	Basic structure.....	337
7.12.3	Types of communication.....	339
7.12.4	Description of functions.....	340
7.12.5	Commissioning.....	344
7.12.6	Integration.....	345
8	Monitoring and protective functions.....	347
8.1	Power unit protection, general.....	347
8.2	Thermal monitoring and overload responses.....	348
8.3	Block protection.....	350
8.4	Stall protection (only for vector control).....	351
8.5	Thermal motor monitoring.....	352
8.5.1	Thermal motor monitoring.....	352

9	Safety Integrated basic functions	357
9.1	General information	357
9.1.1	Explanations, standards, and terminology.....	357
9.1.2	Supported functions.....	359
9.1.3	Parameter, Checksum, Version, Password.....	362
9.1.4	Forced checking procedure	365
9.2	Safety instructions.....	366
9.3	Safe Torque Off (STO).....	368
9.4	Safe Stop 1 (SS1, time controlled)	371
9.5	Safe Brake Control (SBC).....	373
9.6	Response times	376
9.7	Control signals by way of terminals on the Control Unit and Motor/Power Module.....	377
9.8	Commissioning the "STO", "SBC" and "SS1" functions	381
9.8.1	General information about commissioning safety functions	381
9.8.2	Procedure for commissioning "STO", "SBC" and "SS1".....	383
9.8.3	Safety faults	387
9.9	Acceptance test and certificate.....	389
9.9.1	General information about acceptance.....	389
9.9.2	Safety logbook	390
9.9.3	Documentation.....	391
9.9.4	Acceptance test for Safe Torque Off (STO).....	393
9.9.5	Acceptance test for Safe Stop 1, time controlled (SS1)	394
9.9.6	Acceptance test for "Safe Brake Control" (SBC)	396
9.9.7	Completion of certificate	397
9.10	Application examples	399
9.10.1	Safe Stop 1 (SS1, time-controlled) when protective door is locked, emergency stop switch-off.....	399
9.11	Overview of parameters and function diagrams	403
10	Communication PROFIBUS DP/PROFINET IO	405
10.1	Communication according to PROFIdrive	405
10.1.1	General information about PROFIdrive for SINAMICS.....	405
10.1.2	Application classes	407
10.1.3	Cyclic communication	412
10.1.3.1	Telegrams and process data	412
10.1.3.2	Description of control words and setpoints.....	419
10.1.3.3	Description of status words and actual values.....	434
10.1.3.4	Control and status words for encoder.....	452
10.1.3.5	Central control and status words	462
10.1.3.6	Motion Control with PROFIdrive	469
10.1.4	Acyclic communication.....	471
10.1.4.1	General information about acyclic communication	471
10.1.4.2	Structure of orders and responses.....	473
10.1.4.3	Determining the drive object numbers	479
10.1.4.4	Example 1: read parameters.....	480
10.1.4.5	Example 2: write parameters (multi-parameter request)	482
10.2	Communication via PROFIBUS DP.....	486
10.2.1	General information about PROFIBUS.....	486
10.2.1.1	General information about PROFIBUS for SINAMICS	486

10.2.1.2	Example: telegram structure for cyclic data transmission.....	488
10.2.2	Commissioning PROFIBUS	491
10.2.2.1	General information about commissioning.....	491
10.2.2.2	Commissioning procedure	494
10.2.2.3	Diagnostics options	494
10.2.2.4	SIMATIC HMI addressing	495
10.2.2.5	Monitoring: telegram failure.....	496
10.2.3	Motion Control with PROFIBUS.....	497
10.2.4	Slave-to-slave communication	502
10.2.4.1	General information.....	502
10.2.4.2	Setpoint assignment in the subscriber	504
10.2.4.3	Activating/parameterizing slave-to-slave communication	504
10.2.4.4	Commissioning of the PROFIBUS slave-to-slave communication	506
10.2.4.5	GSD (GeräteStammDaten) file	515
10.2.4.6	Diagnosing the PROFIBUS slave-to-slave communication in STARTER	516
10.3	Communication via PROFINET IO	518
10.3.1	General information about PROFINET IO	518
10.3.1.1	General information about PROFINET IO for SINAMICS.....	518
10.3.1.2	Real-time (RT) and isochronous real-time (IRT) communication	519
10.3.1.3	Addresses	520
10.3.1.4	Data transfer	522
10.3.2	Hardware setup.....	522
10.3.2.1	Configuring SINAMICS drives with PROFINET	522
10.3.3	RT classes for PROFINET IO	525
10.3.4	Selection of the PROFINET variant	531
10.3.5	Motion Control with PROFINET	532
11	Applications	535
11.1	Switching on a drive object x_Infeed by means of a vector drive object	535
11.2	Parallel operation of communication interfaces for CU320.....	536
11.3	Motor changeover	539
11.4	Application examples with the DMC20	544
11.5	Tolerant encoder monitoring with SMC30.....	547
11.6	DCC axial winder	551
11.7	Control Units without infeed control	557
11.8	Derating function for chassis units.....	559
11.9	Application: emergency stop with power failure and/or emergency stop (Servo).....	560
12	Basic information about the drive system	563
12.1	Parameter.....	563
12.2	Data sets	566
12.2.1	CDS: Command Data Set.....	566
12.2.2	DDS: Drive Data Set	567
12.2.3	EDS: Encoder Data Set	568
12.2.4	MDS: Motor Data Set.....	569
12.2.5	Integration	571
12.3	Drive objects	572
12.4	BICO technology: interconnecting signals	574
12.4.1	Description	574

12.4.2	Binectors, connectors	574
12.4.3	Interconnecting signals using BICO technology	575
12.4.4	Internal encoding of the binector/connector output parameters	576
12.4.5	Sample interconnections.....	577
12.4.6	BICO technology:.....	578
12.4.7	Scaling	579
12.5	Inputs/outputs.....	580
12.5.1	Overview of inputs/outputs.....	580
12.5.2	Digital inputs/outputs.....	581
12.5.3	Use of bidirectional inputs/outputs on the CU.....	584
12.5.4	Analog inputs	585
12.5.5	Analog outputs	587
12.6	Parameterizing using the BOP20 (Basic Operator Panel 20).....	588
12.6.1	General information about the BOP20.....	588
12.6.2	Displays and using the BOP20	591
12.6.3	Fault and alarm displays	596
12.6.4	Controlling the drive using the BOP20.....	597
12.7	Examples of replacing components.....	598
12.8	Exchanging a SINAMICS Sensor Module Integrated	601
12.8.1	Backing up SMI data on a memory card.....	602
12.9	DRIVE-CLiQ topology	604
12.10	Rules for wiring with DRIVE-CLiQ	606
12.10.1	General rules.....	606
12.10.2	Rules for different firmware versions	610
12.10.3	Sample wiring for vector drives.....	615
12.10.4	Sample wiring of Vector drives connected in parallel	617
12.10.5	Sample wiring: Power Modules.....	618
12.10.6	Changing the offline topology in STARTER.....	620
12.10.7	Sample wiring for servo drives.....	621
12.10.8	Sample wiring for vector V/f drives	622
12.11	Autonomous operating mode for DRIVE-CLiQ components	623
12.12	Notes on the number of controllable drives	626
12.12.1	Introduction	626
12.12.2	Number of controllable drives	626
12.13	System sampling times	629
12.13.1	Description	629
12.13.2	Setting the sampling times.....	630
12.13.3	Rules for setting the sampling time.....	632
12.13.4	Default settings for the sampling times.....	635
12.13.5	Examples when changing sampling times / pulse frequencies	636
12.13.6	Overview of important parameters (see SINAMICS S120/S150 List Manual)	637
12.14	Licensing	638
A	Appendix.....	641
A.1	Availability of hardware components	641
A.2	Availability of SW functions.....	642
A.3	List of abbreviations	648
	Index.....	657

Infeed

1.1 Active Infeed

1.1.1 Introduction

Features

- Controlled DC link voltage whose level can be adjusted (independent of line voltage fluctuations)
- Regenerative feedback capability
- Specific reactive current setting
- Low line harmonics, sinusoidal line current ($\cos\varphi = 1$)

Description

Active Infeed closed-loop control works in conjunction with the line reactor and the Active Line Module as a step-up converter. The level of the DC link voltage can be defined through parameters, and, by means of the control, it is independent of line voltage fluctuations.

The open and closed-loop control firmware for the Active Line Module runs on the Control Unit assigned to it. The Active Line Module and Control Unit communicate via DRIVE-CLiQ.

1.1.2 Active Infeed closed-loop control Booksize

Schematic structure

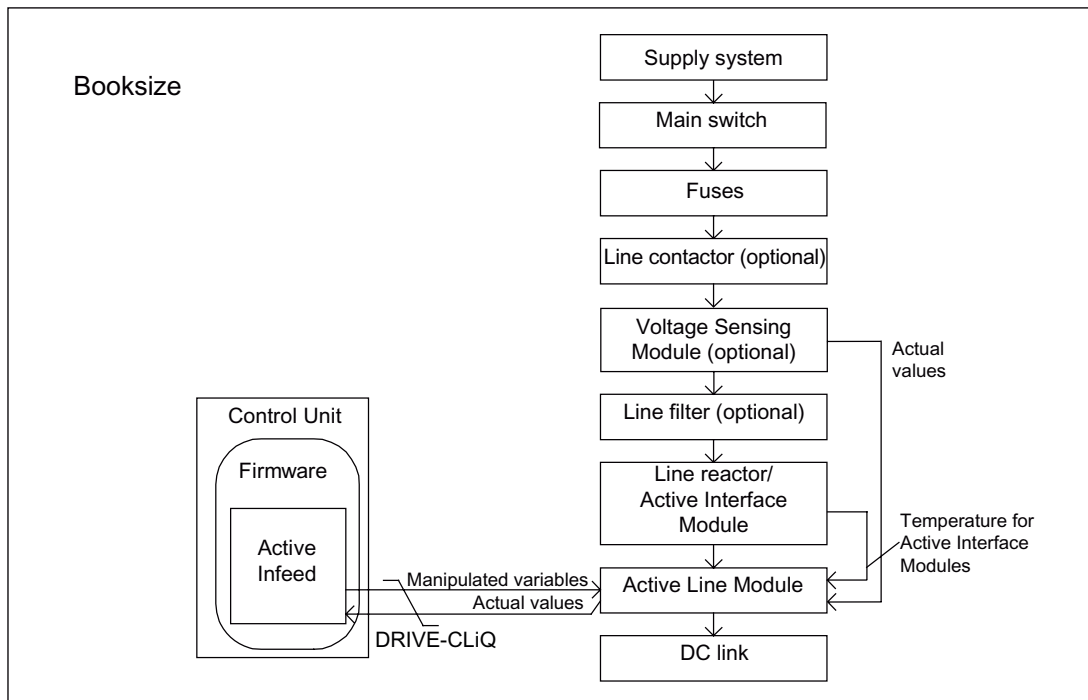


Figure 1-1 Schematic structure of Active Infeed booksize

Active Infeed closed-loop control for Active Line Modules booksize

The Active Line Module can be operated in two different modes depending on the parameterized line supply voltage (p0210):

- Active Mode

In Active Mode, the DC link voltage is regulated to a variable setpoint (p3510), which results in a sinusoidal line current ($\cos\phi = 1$). The level of the reactive current is also controlled and can be specifically defined.

- Smart Mode

Energy recovery capability is maintained in Smart Mode, although there is a lower DC link voltage in comparison to the Active Mode. The DC link voltage is dependent on the current line voltage.

The DC link voltage setpoint (p3510) and the control type are preset as follows during commissioning in line with the connection voltage (p0210):

Table 1- 1 Presetting the control type and DC link voltage booksize

Supply voltage p0210 [V]	380-400	401-415	416-440	460	480
Control type p3400.0	"0" = Active Mode		"1" = Smart Mode		
Vdc_setp p3510 [V]	600	625	562-594 ¹⁾	621 ¹⁾	648 ¹⁾
¹⁾ Voltages specified for the smart mode are derived from the rectified line supply voltage. The DC link voltage setpoint (p3510) has no effect in this control mode.					

Voltage Sensing Module (VSM10) used with S120 Active Line Module

Using a Voltage Sensing Module (VSM10) to sense the line voltage, drives can also be operated in systems with heavy frequency fluctuations beyond the range defined in IEC61000-2-4 if certain supplementary conditions are met. Heavy frequency fluctuations may occur e.g. in (isolated) diesel-electric systems but not in large interconnected systems such as the European interconnected supply network.

In non-European countries, e.g. in countries with power distribution over a wide geographical region (countries with a large surface such as Australia, USA, China), line voltage dips occur more frequently, the dips are somewhat lower and, above all, they can occur for longer periods of time up to several seconds. In such line systems, the use of the VSM10 Module is urgently recommended.

The VSM10 Module helps to control extreme line faults, e.g. caused by thunderstorms or rainstorms, without interruptions.

Commissioning

During commissioning, the device supply voltage (p0210) and the selection of an optional line filter (p0220) must be parameterized.

Following automatic commissioning, the appropriate filter for the matching Active Interface Module is preset as the line filter. If the drive line-up is set up differently, then the line filter type must be adjusted using p0220.

When it is first switched on with a new/modified network, an automatic controller setting should be implemented using the line/DC link identification routine (p3410).

Note

In a supply system without regenerative feedback capability (e.g. generators), regenerative operation must be inhibited via the binector input p3533.

CAUTION

When a Wideband Line Filter is connected, it must be parameterized with p0220 = 1..5. The temperature sensor must be connected to terminal X21 of the Active Line Module.

The DC link voltage (p3510) can be set within the following limits:

- Upper limit:
 - Maximum DC link voltage (p0280)
 - Product of line voltage (p0210) and max. step-up factor (r3508)
- Lower limit: Supply voltage (p0210) multiplied by 1.42

1.1.3 Active Infeed closed-loop control Chassis

Schematic structure

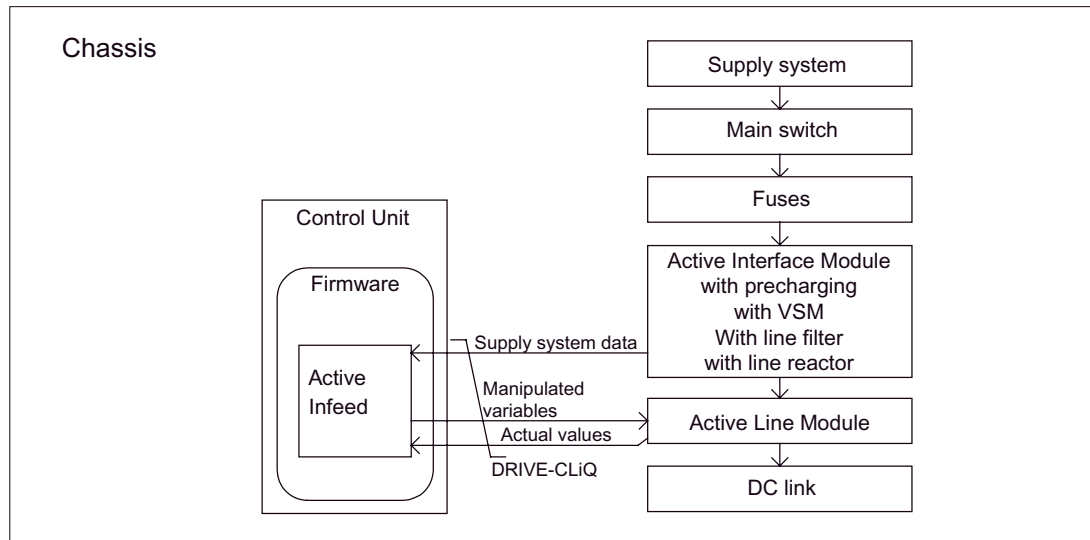


Figure 1-2 Schematic structure of Active Infeed

Operating mode of Active Infeed closed-loop control for Chassis Active Line Modules.

Active Line Modules Chassis only function in Active Mode.

In Active Mode, the DC link voltage is regulated to a variable setpoint (p3510), which results in a sinusoidal line current ($\cos\phi = 1$).

The DC link voltage setpoint (p3510) is preset depending on the supply voltage (p0210) using the equation $p3510 = 1.5 * p0210$.

Commissioning

The device supply voltage (p0210) must be parameterized during commissioning. The necessary line filter (p0220) is preset.

When it is first switched on with a new/modified network, an automatic controller setting should be implemented using the line/DC link identification routine (p3410).

Note

In a supply system without regenerative feedback capability (e.g. generators), regenerative operation must be inhibited via the binector input p3533.

The DC link voltage (p3510) can be set within the following limits:

- Upper limit:
 - Maximum DC link voltage (p0280)
 - Product of line voltage (p0210) and max. step-up factor (r3508)
- Lower limit: Supply voltage (p0210) multiplied by 1.42

1.1.4 Integration

Function diagrams (see SINAMICS S120/S150 List Manual)

- 1774 Overviews - Active Infeed
- 8920 Control word sequence control infeed
- ...
- 8964 Messages and monitoring, supply frequency and Vdc monitoring

Overview of important parameters (see SINAMICS S120/S150 List Manual)

- r0002 Infeed/operating display
- r0046 CO/BO: Infeed missing enable signals
- p0210 Device supply voltage
- p0220 Infeed line filter type
- p0280 DC link voltage maximum steady-state
- p0840 BI: ON/OFF1
- p0844 BI: 1. OFF2
- p0852 BI: Enable operation
- p0898 CO/BO: Control word sequence control infeed
- p0899 CO/BO: Status word sequence control infeed
- p2138 CO/BO: Control word, faults/alarms
- p2139 CO/BO: Status word, faults/alarms 1
- p3400 Infeed configuration word
- r3405 CO/BO: Status word infeed
- p3410 Infeed configuration word identification
- p3508 Infeed step-up factor maximum
- p3510 Infeed DC link voltage setpoint
- p3533 BI: Infeed, inhibit regenerative operation
- p3610 Infeed reactive current fixed setpoint
- p3611 CI: Infeed reactive current supplementary setpoint

1.1.5 Line and DC link identification

The characteristic line supply and DC link quantities are determined using the automatic parameter identification routine. They provide the basis to optimally set the controllers in the Line Module.

An optimal setting of the current and voltage control is achieved with the help of the line supply and DC link identification routine. The dynamic response of the current control can be adjusted with p3560.

Note

If the line supply environment changes or the components connected to the DC link (e.g. after installation of the equipment at the customer's site or after expanding the drive line-up), the line supply/DC link identification routine should be repeated with p3410 = 5. Only then can it be guaranteed that the infeed operates with the optimum controller settings.

When the identification function is activated, alarm A06400 is output.

Identification methods

For additional identification methods, see the SINAMICS S120/S150 List Manual.

- p3410 = 4: An identification run for the total inductance and DC link capacitance is initiated when the pulses are next enabled (two measuring routines with different current magnitudes). Data determined during identification (r3411 and r3412) is entered into p3421 and p3422 and the controller is recalculated. At the same time, the parameters for current controller adaptation are determined (p3620, p3622). All infeed parameters are then automatically stored in non-volatile memory.
The infeed continues to operate without interruption on the new controller parameters.
- p3410 = 5: The same measurements and write operations are always carried out for p3410 = 4. Before the first identification run, however, the parameter values for line inductance and DC link capacitance are reset (p3421 = p0223 and p3422 = p0227).

p3410 is automatically set to 0 when one of the two identification routines (p3410 = 4 or p3510 = 5) completes successfully.

Note

Identification using p3410 = 5 should preferably be used.

It may be necessary to reset the closed-loop controller to the factory settings if an identification run was unsuccessful, for example.

Overview of important parameters (see SINAMICS S120/S150 List Manual)

- p3410 Infeed identification method
- r3411 Infeed inductance identified
- r3412 Infeed DC-link capacitance identified
- p3560 Infeed Vdc controller proportional gain

1.1.6 Active Infeed open-loop control

Description

The Active Line Module can be controlled via the BICO interconnection by means of terminals or the field bus. The operating status is indicated on the operating display r0002. The missing enable signals for operation (r0002 = 00) are mapped in parameter r0046. The EP terminals (enable pulses) must be connected in accordance with the Equipment Manual. The drive unit must have been commissioned for the first time.

Acknowledge error

Errors that are still present but the causes of which have been rectified can be acknowledged by means of a 0/1 edge at the "Acknowledge error" (p2103) signal.

Switching on the Active Line Module:

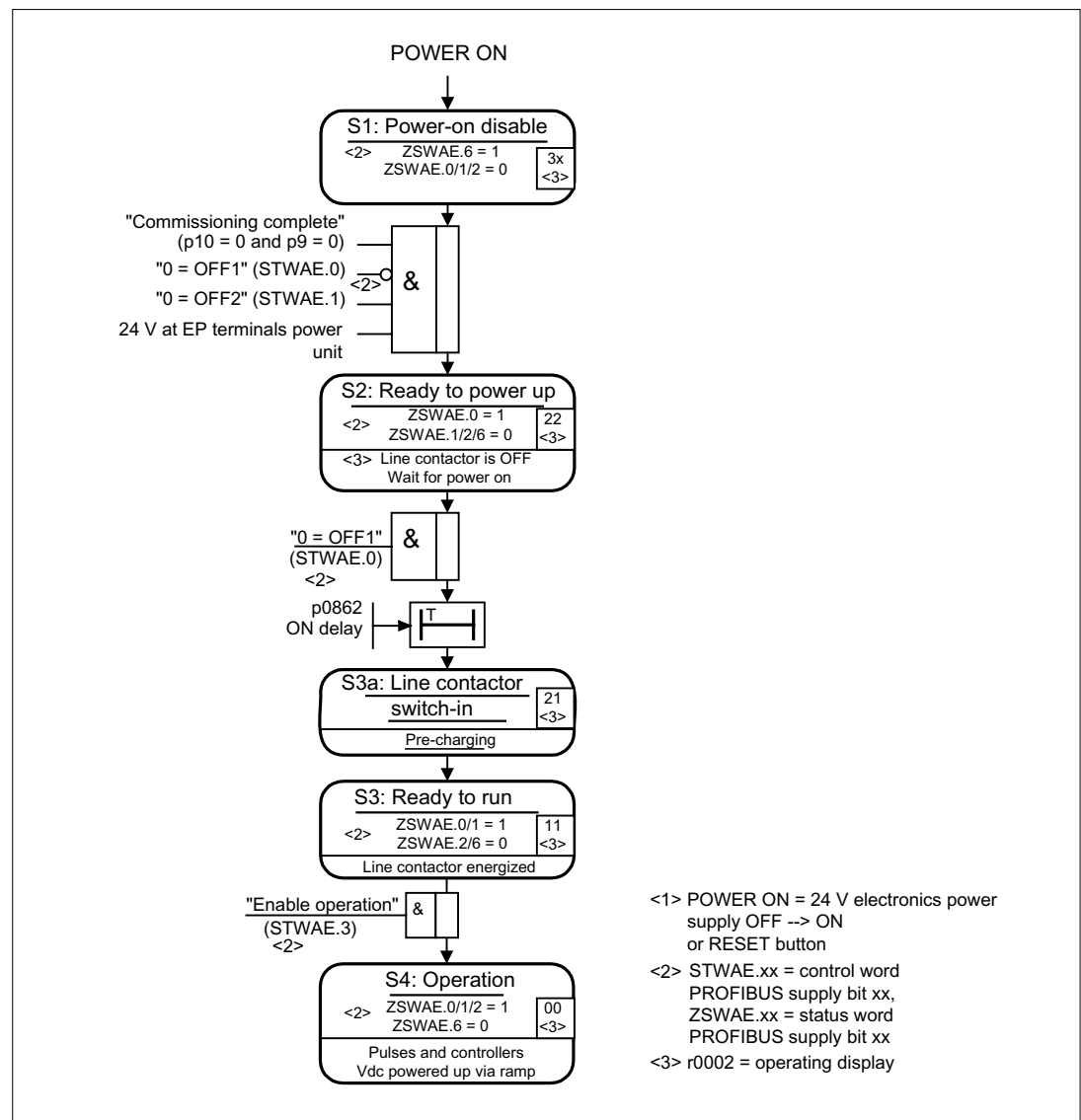


Figure 1-3 Active Infeed power-up

Note

Under the condition that the drive system was commissioned with STARTER and no PROFIdrive telegram was activated, the infeed can be powered up by issuing an enable signal at the EP terminals and a positive signal edge at OFF1 (p0840).

Switching off the Active Line Module

The Active Line Module is switched off by the same procedure used to switch it on, but in the reverse order. However, the DC link is not precharged when the module is switched off.

Switching off the controller with the OFF1 signal is delayed by the time entered in p3490. This allows the attached drives to be braked in a controlled manner. Before the infeed is switched off, the drives connected to the DC link should be in pulse inhibit mode.

Control and status messages

Table 1- 2 Active Infeed open-loop control

Signal name	Internal control word	Binector input	Display of internal control word	PROFIdrive telegram 370
ON/OFF1	STWAE.0	p0840 ON/OFF1	r0898.0	A_STW1.0
OFF2	STWAE.1	p0844 1 OFF2 and p0845 2 OFF2	r0898.1	A_STW1.1
Enable operation	STWAE.3	p0852 Enable operation	r0898.3	A_STW1.3
Disable motor operation	STWAE.5	p3532 Disable motor operation	r0898.5	A_STW1.5
Inhibit regenerating	STWAE.6	p3533 Inhibit regenerating	r0898.6	A_STW1.6
Acknowledge error	STWAE.7	p2103 1 Acknowledge or p2104 2 Acknowledge or p2105 3 Acknowledge	r2138.7	A_STW1.7
Master control by PLC	STWAE.10	p0854 Master control by PLC	r0898.10	A_STW1.10

Table 1- 3 Active Infeed status message

Signal name	Internal status word	Parameter	PROFIdrive telegram 370
Ready for switching on	ZSWAE.0	r0899.0	A_ZSW1.0
Ready for operation	ZSWAE.1	r0899.1	A_ZSW1.1
Operation enabled	ZSWAE.2	r0899.2	A_ZSW1.2
Fault active	ZSWAE.3	r2139.3	A_ZSW1.3
No OFF2 active	ZSWAE.4	r0899.4	A_ZSW1.4
Switching on inhibited	ZSWAE.6	r0899.6	A_ZSW1.6

Signal name	Internal status word	Parameter	PROFIdrive telegram 370
Alarm present	ZSWAE.7	r2139.7	A_ZSW1.7
Master control by PLC	ZSWAE.9	r0899.9	A_ZSW1.9
Pre-charging completed	ZSWAE.11	r0899.11	A_ZSW1.11
Line contactor energized feedback	ZSWAE.12	r0899.12	A_ZSW1.12

1.1.7 Reactive current control

A reactive current setpoint can be set to compensate the reactive current or to stabilize the line voltage in infeed mode. The total setpoint is the sum of the fixed setpoint p3610 and the dynamic setpoint via the connector input p3611.

Note

The direction of rotation of the network is compensated automatically with reactive current control. A negative reactive current setpoint causes an inductive reactive current; a positive setpoint generates a capacitive reactive current.

Note

The closed-loop control limits the reactive current setpoint dynamically in such a way that the sum of the active current setpoint and the reactive current setpoint does not exceed the maximum device current.

Note

The reactive current consumption of the line filter selected in the configuration Wizard is automatically covered by the Active Infeed closed-loop control. This means that the display value of the current reactive current setpoint in r0075 no longer corresponds with the parameterized total reactive current setpoint.

Note

The reactive power setpoint of the Line Module with respect to the network can be derived by multiplying the parameterized total reactive current setpoint by $1.73 \cdot \text{rated line voltage}$.

1.1.8 Harmonics controller

Description

Harmonics in the line voltage cause harmonics in the line currents. Current harmonics can be reduced by activating the harmonics controller.

Example: setting the harmonics controller

The 5th and 7th harmonics are to be compensated:

Table 1- 4 Example parameters for the harmonics controller

Index	p3624 harmonics controller order	p3625 scaling
[0]	5	100 %
[1]	7	100 %

The phase currents in parameter p0069[0..2] (U, V, W) can be checked using the STARTER trace function.

Overview of important parameters

- p3624 Infeed harmonics controller order
- p3625 Infeed harmonics controller scaling
- r0069[0..6] Phase current, actual value

1.2 Smart Infeed

1.2.1 Smart Infeed closed-loop control

Features

- For Smart Line Modules with a power of ≥ 16 kW
- Unregulated DC link voltage
- Regenerative feedback capability

Description

The firmware for the Smart Line Modules is on the Control Unit assigned to it. The Smart Line Module and Control Unit communicate via DRIVE-CLiQ.

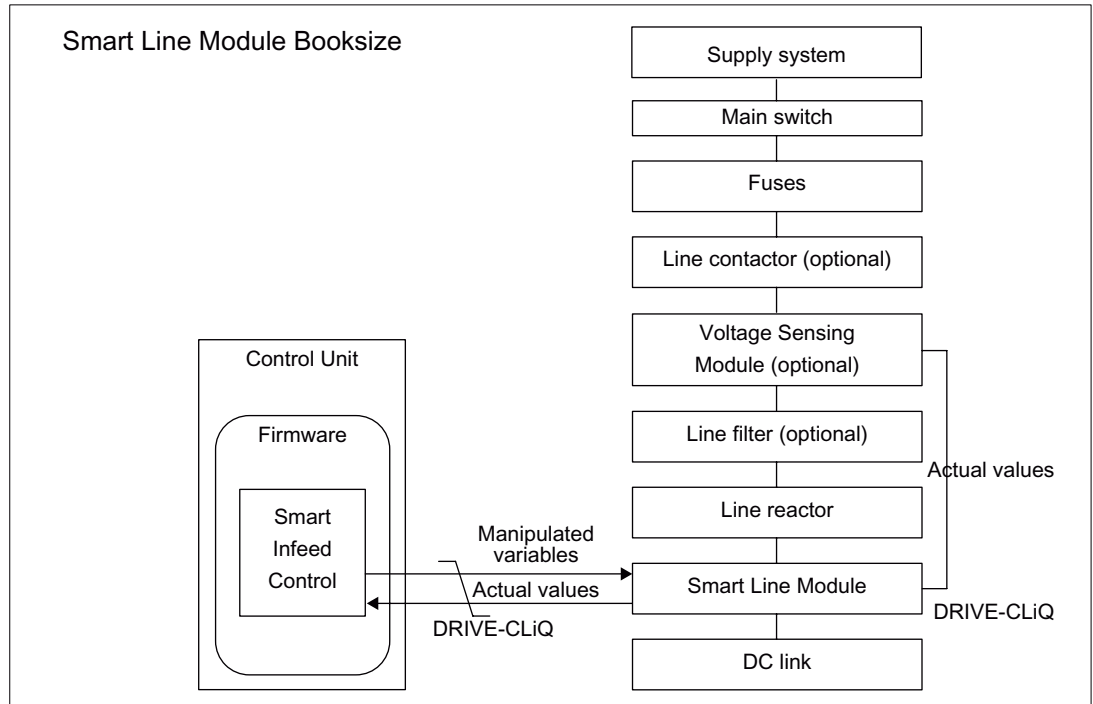


Figure 1-4 Terminal diagram for Smart Infeed booksize

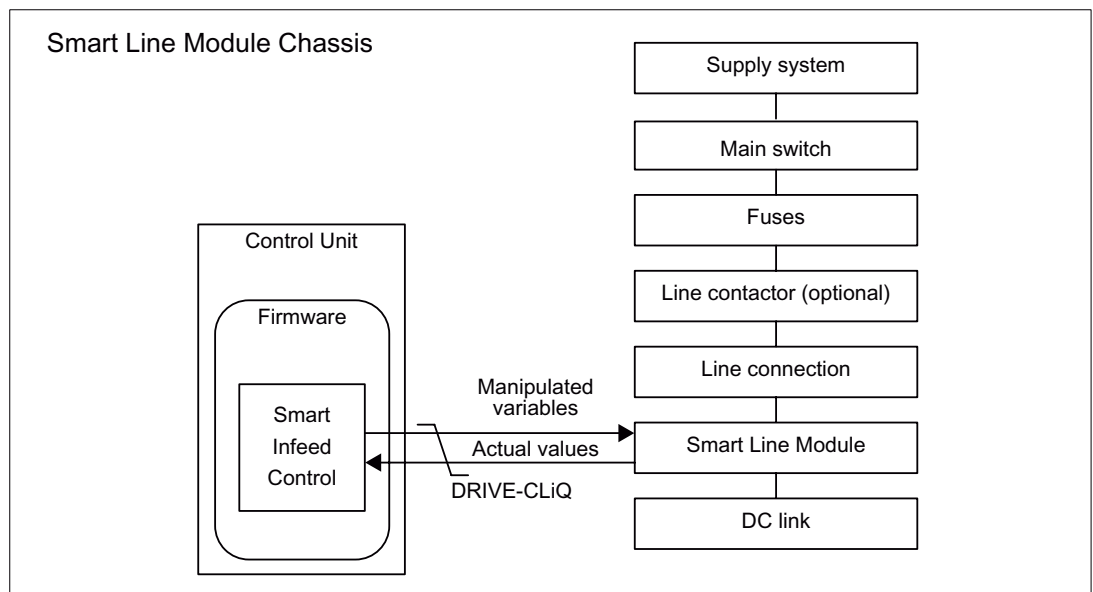


Figure 1-5 Connection diagram Smart Infeed chassis

Commissioning

The device connection voltage (p0210) must be parameterized during commissioning.

Note

In a supply system without regenerative feedback capability (e.g. generators), regenerative operation must be inhibited via the binector input p3533.

Smart Line Modules do not support kinetic buffering in generator mode.

Function diagrams (see SINAMICS S120/S150 List Manual)

- 1775 Overviews - Smart Infeed
- 8820 Control word sequence control infeed
- 8826 Status word sequence control infeed
- 8828 Status word infeed
- 8832 Processor
- 8834 Missing enables, line contactor control
- 8850 Interface to the Smart Infeed (control signals, actual values)
- 8860 Supply voltage monitoring
- 8864 Power frequency and Vdc monitoring

Overview of important parameters (see SINAMICS S120/S150 List Manual)

- r0002 Infeed/operating display
- r0046 CO/BO: Infeed missing enable signals
- p0210 Device supply voltage
- p0840 BI: ON/OFF1
- p0844 BI: 1. OFF2
- p0852 BI: Enable operation
- r0898 CO/BO: Control word sequence control infeed
- r0899 CO/BO: Status word sequence control infeed
- r2138 CO/BO: Control word, faults/alarms
- r2139 CO/BO: Status word, faults/alarms 1
- r3405 CO/BO: Status word infeed
- p3533 BI: Infeed, inhibit regenerative operation

1.2.2 Line supply and DC link identification routine for Smart Infeed Booksize

The characteristic line supply and DC link quantities are determined using the automatic parameter identification routine. They provide the basis to optimally set the controllers in the Line Module.

Note

If the line supply environment changes, or the components connected to the DClink (e.g. after installing and mounting the equipment at the customer's site or after expanding the drive group), then the line supply/DC link identification routine should be repeated with p3410 = 5. Only then can it be guaranteed that the infeed operates with an optimum controller setting.

When the identification function is activated, alarm A06400 is output.

CAUTION

The line supply and DC link identification routine is not permissible for Smart Line Modules of the Chassis type.

Identification methods

For additional identification methods, see the SINAMICS S120/S150 List Manual.

- p3410 = 4: An identification run for the total inductance and DC link capacitance is initiated when the pulses are next enabled (two measuring routines with different current magnitudes). Data determined during identification (r3411 and r3412) is entered into p3421 and p3422 and the controller is recalculated. At the same time, the parameters for current controller adaptation are determined (p6320, p6322). All infeed parameters are then automatically stored in non-volatile memory. The infeed continues to operate without interruption on the new controller parameters.
- p3410 = 5: The same measurements and write operations are always carried out for p3410 = 4. However, before the first identification run, the parameter values for line inductance and DC link capacitance are reset (p3421 = p0223 and p3422 = p0227) and the coarse settings are made for the controller.

p3410 is automatically set to 0 when one of the two identification routines (p3410 = 4 or p3510 = 5) completes successfully.

Note

Identification using p3410 = 5 should preferably be used.

It may be necessary to reset the closed-loop controller to the factory settings if an identification run was unsuccessful, for example.

Overview of important parameters (see SINAMICS S120/S150 List Manual)

- p3410 Infeed identification method
- p3421 Infeed inductance
- p3422 Infeed DC link capacitance

1.2.3 Smart Infeed open-loop control

Description

The Smart Line Module can be controlled via the BICO interconnection by means of terminals or the field bus. The operating status is indicated on the operating display r0002. The missing enable signals for operation (r0002 = 00) are mapped in parameter r0046. The EP terminals (enable pulses) must be connected in accordance with the Equipment Manual. The drive unit must have been commissioned for the first time.

Acknowledge error

Errors that are still present but the causes of which have been rectified can be acknowledged by means of a 0/1 edge at the "Acknowledge error" (p2103) signal.

Switching on the Smart Line Module

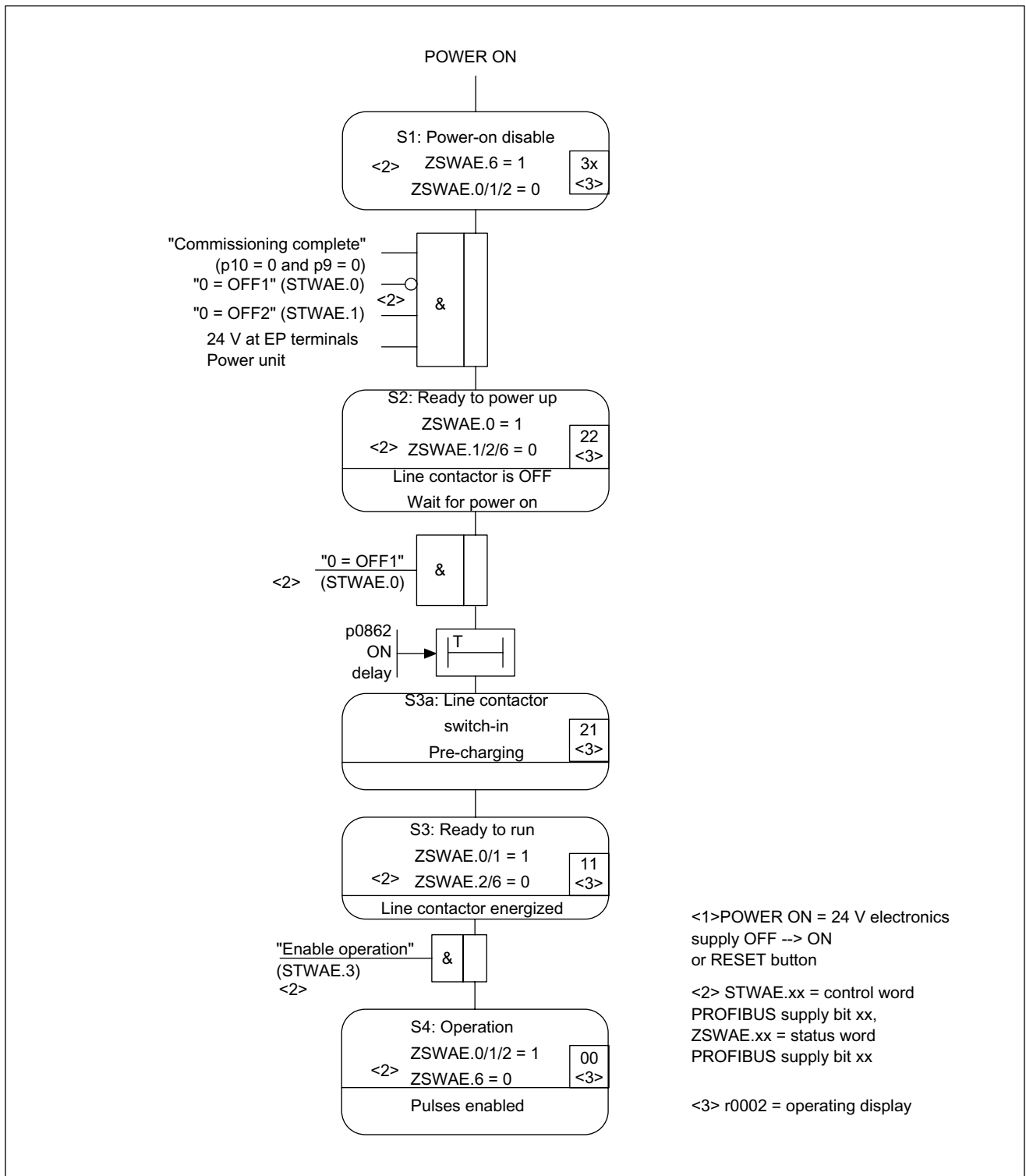


Figure 1-6 Smart Infeed power-up

Note

Under the condition that the drive system was commissioned with STARTER and no PROFIdrive telegram was activated, the infeed can be powered up by issuing an enable signal at the EP terminals and a positive signal edge at OFF1 (p0840).

Switching off the Smart Line Module

The Smart Line Module is switched off by the same procedure used to switch it on, but in the reverse order.

However, the DC link is not precharged when the module is switched off.

Switching off the controller with the OFF1 signal is delayed by the time entered in p3490. This allows the attached drives to be braked in a controlled manner.

Control and status messages

Table 1- 5 Smart Infeed open-loop control

Signal name	Internal control word	Binector input	Display of internal control word	PROFIdrive telegram 370
ON/OFF1	STWAE.0	p0840 ON/OFF1	r0898.0	A_STW1.0
OFF2	STWAE.1	p0844 1 OFF2 and p0845 2 OFF2	r0898.1	A_STW1.1
Enable operation	STWAE.3	p0852 Enable operation	r0898.3	A_STW1.3
Inhibit regenerating	STWAE.6	p3533 Inhibit regenerating	r0898.6	A_STW1.6
Acknowledge error	STWAE.7	p2103 1 Acknowledge or p2104 2 Acknowledge or p2105 3 Acknowledge	r2138.7	A_STW1.7
Master control by PLC	STWAE.10	p0854 Master control by PLC	r0898.10	A_STW1.10

Table 1- 6 Smart Infeed status message

Signal name	Internal status word	Parameter	PROFIdrive telegram 370
Ready for switching on	ZSWAE.0	r0899.0	A_ZSW1.0
Ready for operation	ZSWAE.1	r0899.1	A_ZSW1.1
Operation enabled	ZSWAE.2	r0899.2	A_ZSW1.2
Fault active	ZSWAE.3	r2139.3	A_ZSW1.3
No OFF2 active	ZSWAE.4	r0899.4	A_ZSW1.4
Switching on inhibited	ZSWAE.6	r0899.6	A_ZSW1.6
Alarm present	ZSWAE.7	r2139.7	A_ZSW1.7
Master control by PLC	ZSWAE.9	r0899.9	A_ZSW1.9
Pre-charging completed	ZSWAE.11	r0899.11	A_ZSW1.11
Line contactor energized feedback	ZSWAE.12	r0899.12	A_ZSW1.12

1.3 Basic Infeed

1.3.1 Basic Infeed open-loop control

Features

- For Basic Line Modules chassis and booksize
- Unregulated DC link voltage
- Integrated control of external braking resistors with 20 kW and 40 kW Basic Line Modules (with temperature monitoring)

Description

Basic Infeed open-loop control can be used to switch on/off the Basic Line Module. The Basic Line Module is an unregulated infeed unit without regenerative feedback capability.

The open-loop control firmware for the Basic Line Module runs on the Control Unit assigned to it. The Basic Line Module and Control Unit communicate via DRIVE-CLiQ.

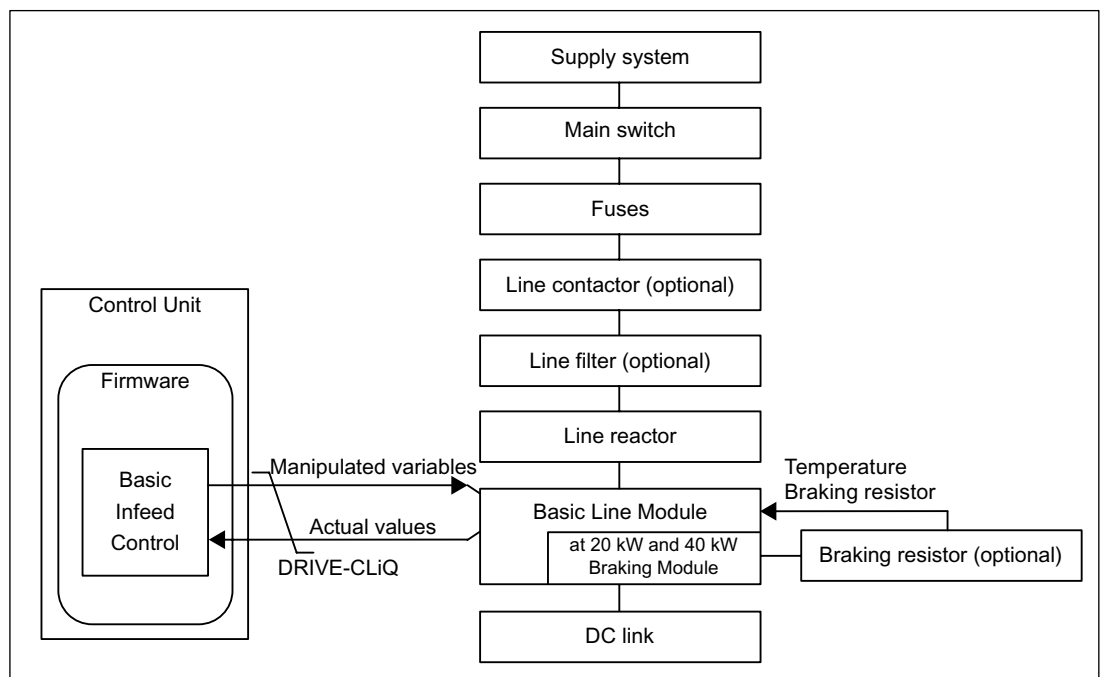


Figure 1-7 Schematic structure of Basic Infeed booksize

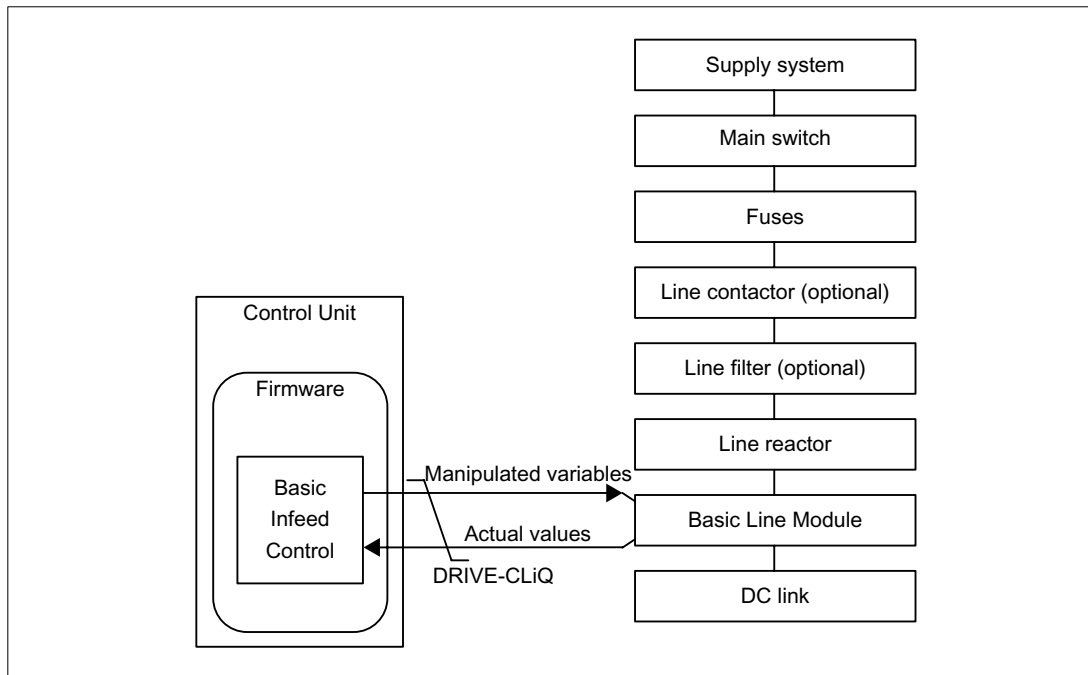


Figure 1-8 Schematic structure of Basic Infeed chassis

Commissioning

The rated line voltage (p0210) must be parameterized during commissioning.

With 20 kW/40 kW Basic Line Modules, the temperature switch of the external braking resistor must be connected to X21 on the Basic Line Module.

If a braking resistor has not been connected for 20 kW and 40 kW Basic Line Modules booksize, the braking chopper must be deactivated via p3680 = 1.

Function diagrams (see SINAMICS S120/S150 List Manual)

- 8720 Control word sequence control infeed
- ...
- 8760 Messages and monitoring functions

Overview of important parameters (see SINAMICS S120/S150 List Manual)

- r0002 Infeed/operating display
- r0046 CO/BO: Infeed missing enable signals
- p0210 Device supply voltage
- p0840 BI: ON/OFF1
- p0844 BI: 1. OFF2
- r0898 CO/BO: Control word sequence control infeed
- r0899 CO/BO: Status word sequence control infeed
- r2138 CO/BO: Control word, faults/alarms
- r2139 CO/BO: Status word, faults/alarms 1
- p3680 BI: Inhibit Braking Module internally

1.3.2 Basic Infeed open-loop control

Description

The Basic Line Module can be controlled via the BICO interconnection by means of terminals or the field bus. The operating status is indicated on the operating display r0002. The missing enable signals for operation (r0002 = 00) are mapped in parameter r0046. The EP terminals (enable pulses) must be connected in accordance with the Equipment Manual.

Acknowledge error

Errors that are still present but the causes of which have been rectified can be acknowledged by means of a 0/1 edge at the "Acknowledge error" (p2103) signal.

Switching on the Basic Line Module

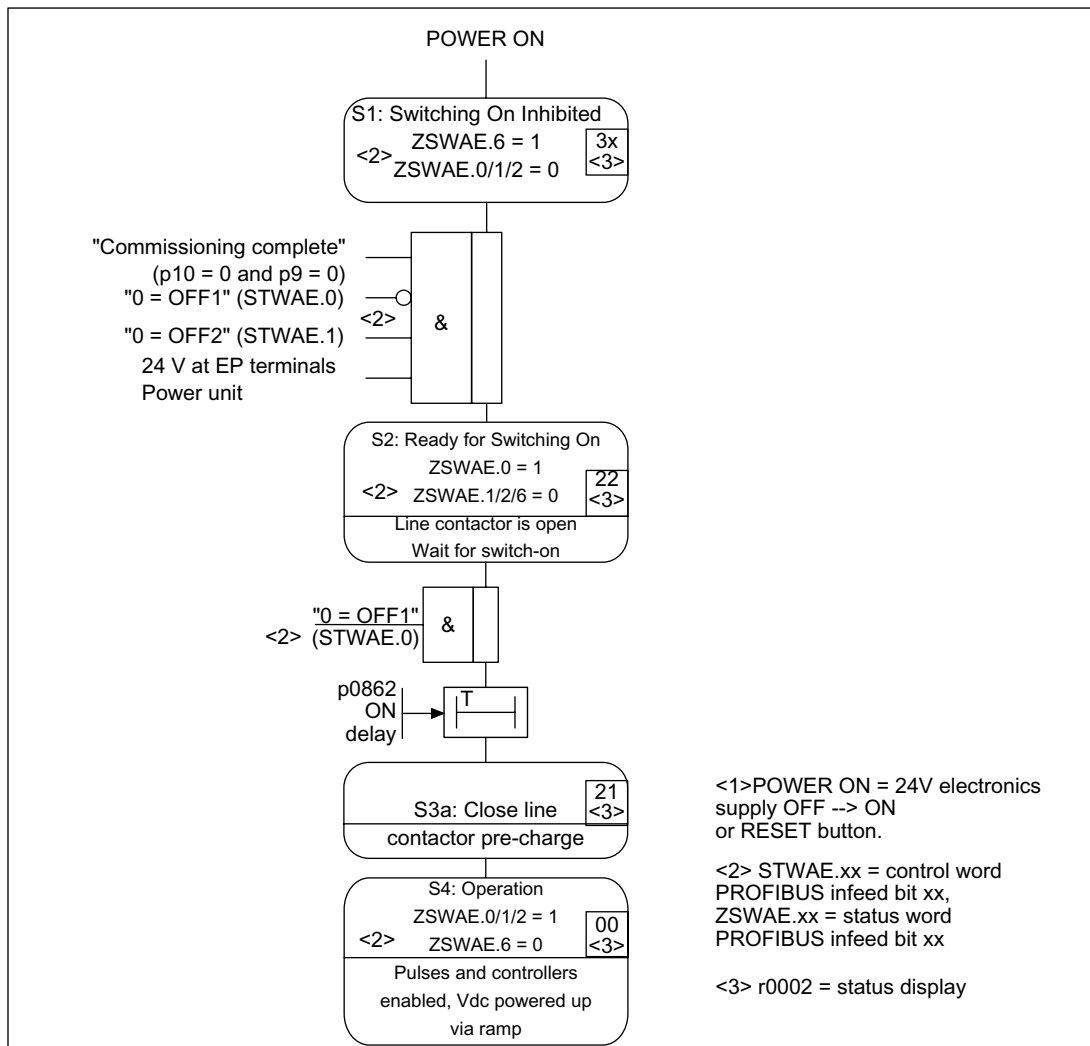


Figure 1-9 Basic Infeed power-up

Note

Under the condition that the drive system was commissioned with STARTER and no PROFIdrive telegram was activated, the infeed can be powered up by issuing an enable signal at the EP terminals and a positive signal edge at OFF1 (p0840).

Switching off the Basic Line Module

The Basic Line Module is switched off by the same procedure used to switch it on, but in the reverse order.
However, the DC link is not precharged when the module is switched off.

Control and status messages

Table 1- 7 Basic Infeed open-loop control

Signal name	Internal control word	Binector input	Display of internal control word	PROFIdrive telegram 370
ON/OFF1	STWAE.0	p0840 ON/OFF1	r0898.0	A_STW1.0
OFF2	STWAE.1	p0844 1 OFF2 and p0845 2 OFF2	r0898.1	A_STW1.1
Acknowledge error	STWAE.7	p2103 1 Acknowledge or p2104 2 Acknowledge or p2105 3 Acknowledge	r2138.7	A_STW1.7
Master control by PLC	STWAE.10	p0854 Master control by PLC	r0898.10	A_STW1.10

Table 1- 8 Basic Infeed status message

Signal name	Internal status word	Parameter	PROFIdrive telegram 370
Ready for switching on	ZSWAE.0	r0899.0	A_ZSW1.0
Ready for operation	ZSWAE.1	r0899.1	A_ZSW1.1
Operation enabled	ZSWAE.2	r0899.2	A_ZSW1.2
No OFF2 active	ZSWAE.4	r0899.4	A_ZSW1.4
Switching on inhibited	ZSWAE.6	r0899.6	A_ZSW1.6
Master control by PLC	ZSWAE.9	r0899.9	A_ZSW1.9
Pre-charging completed	ZSWAE.11	r0899.11	A_ZSW1.11
Line contactor energized feedback	ZSWAE.12	r0899.12	A_ZSW1.12

1.4 Line contactor control

Description

This function can be used to control an external line contactor. Opening and closing the line contactor can be monitored by evaluating the feedback contact in the line contactor. The line contactor is used for the electrical isolation of the DC link for the energy supply network.

The line contactor can be controlled using the following drive objects:

- Via bit r0863.1 of drive object INFEED
- Via bit r0863.1 of drive object SERV/VECTOR

Note

For more information on the line connection, see the Equipment Manuals.

Example of commissioning line contactor control

Assumption:

- Line contactor control via a digital output of the Control Unit (DI/DO 8)
- Line contactor feedback via a digital input of the Control Unit (DI/DO 9)
- Line contactor switching time less than 100 ms

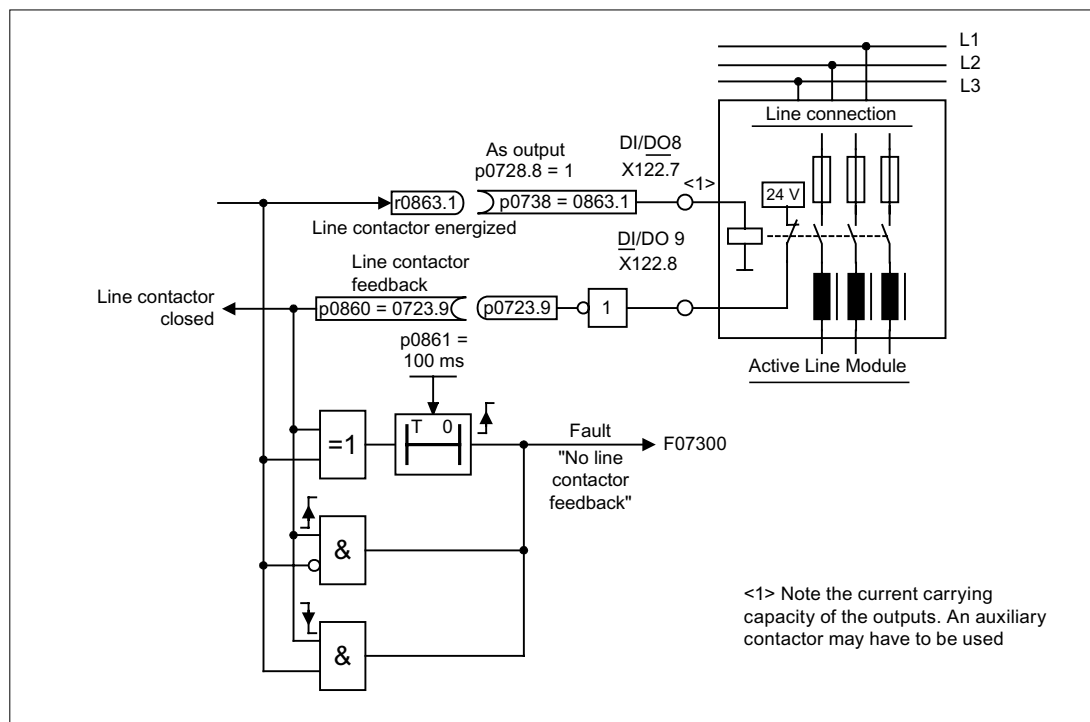


Figure 1-10 Line contactor control

Commissioning steps:

- Connect the line contactor control contact to DI/DO 8.

Note

Note the current carrying capacity of the digital output (see the Equipment Manual). A line contactor may have to be used.

- Parameterize DI/DO 8 as an output (p728.8 = 1).
- Assign p0738 the control signal for the line contactor r0863.1.
- Connect the line contactor feedback contact to DI/DO 9.
- Assign p0860 an inverted input signal r0723.9.
- Enter the monitoring time for the line contactor (100 ms) in p0861.

Function diagrams (see SINAMICS S120/S150 List Manual)

- 8934 Missing enables, line contactor control

Overview of important parameters (see SINAMICS S120/S150 List Manual)

- r0863.1 CO/BO: Drive coupling status word/control word
- p0860 BI: Line contactor, feedback signal

1.5 Pre-charging and bypass contactor chassis

Description

Pre-charging is the procedure for charging the DC link capacitors via resistors. Pre-charging is normally carried out from the feeding supply network, although it can also be carried out from a pre-charged DC link. The pre-charging input circuit limits the charging current of the DC link capacitors.

The pre-charging input circuit for Active and Smart Infeed in the chassis design comprises a pre-charging contactor with pre-charging resistors and a bypass contactor. The Active Line Module controls the pre-charging input circuit in the Active Interface Module via terminals.

The pre-charging input circuit in the Active Interface Module of module types FI and GI contains the bypass contactor. The bypass contactor must be provided separately for types HI and JI.

With the Smart Line Module, pre-charging is integrated in the Smart Line Module itself, although the bypass contactor must be provided externally.

For further information: see the Equipment Manual.

Procedure during power ON/OFF

Power ON:

- The pre-charging contactor is closed and the DC link is charged via the pre-charging resistors.
- Once pre-charging is complete, the bypass contactor is closed and the pre-charging contactor opened. The DC link is pre-charged and ready to operate. If pre-charging could not be completed, fault F06000 is output.

Power OFF:

- The pulses are inhibited and the bypass contactor is then opened.

Extended setpoint channel

Description

In the servo operating mode, the extended setpoint channel is deactivated by default. If an extended setpoint channel is required, it has to be activated.

Properties of servo mode without the "extended setpoint channel" function module

- The setpoint is directly interconnected to p1155[D] (e.g. from a higher-level control or technology controller)
- Dynamic Servo Control (DSC) only
When using DSC, the "extended setpoint channel" is not used. This unnecessarily uses the computation time of the Control Unit and, for servo, can be de-activated.
- Deceleration ramp OFF1 via p1121[D]
- Deceleration ramp OFF3 via p1135[D]
- For PROFIdrive telegrams 2 to 103 and 999 only (free assignment)
- STW 1 bit 5 (freeze ramp-function generator), no function

2.1 Activating the "extended setpoint channel" function module in servo mode

In servo mode, the "extended setpoint channel" function module can be activated via the commissioning Wizard or the drive configuration (configure DDS).

You can check the current configuration in parameter r0108.8. Once you have set the configuration, you have to download it to the Control Unit where it is stored in a non-volatile memory (see the SINAMICS S120 Commissioning Manual).

Note

When the "extended setpoint channel" function module for servo is activated, under certain circumstances, the number of drives in the multi-axis group that can be controlled from a Control Unit is reduced.

2.2 Description

In the extended setpoint channel, setpoints from the setpoint source are conditioned for motor control.

The setpoint for motor control can also originate from the technology controller (see "Technology controller").

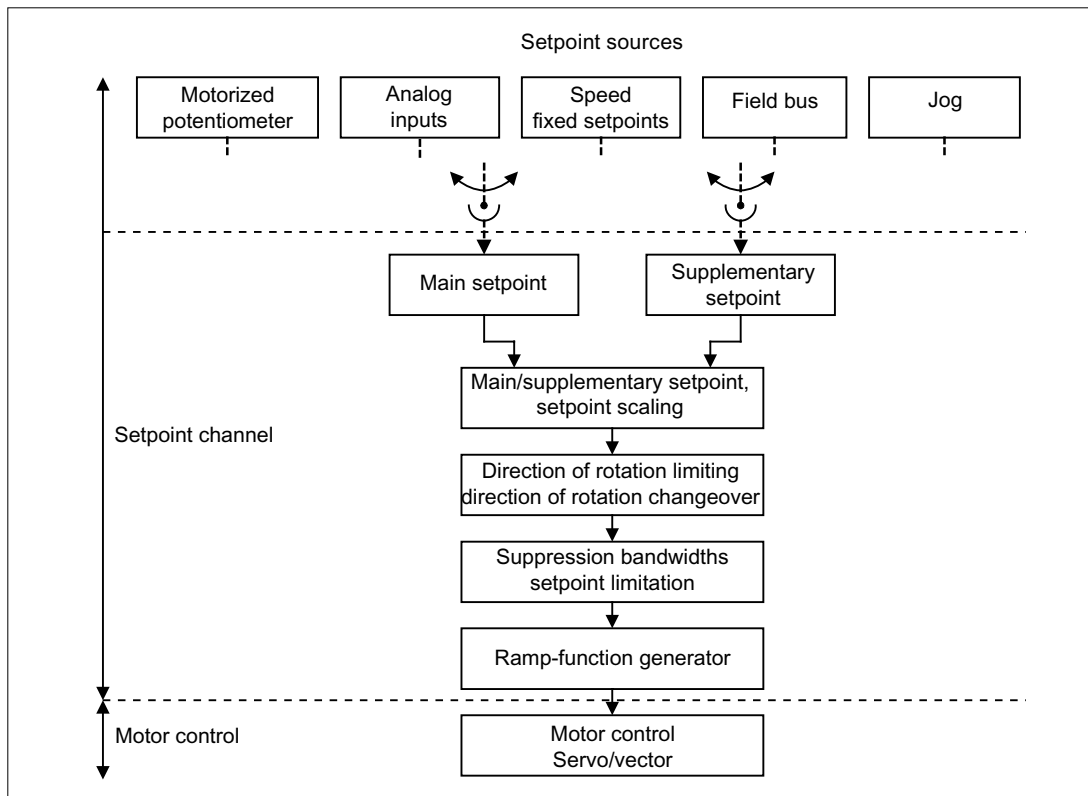


Figure 2-1 Extended setpoint channel

Properties of the extended setpoint channel

- Main/supplementary setpoint, setpoint scaling
- Direction of rotation limiting and direction of rotation changeover
- Suppression bandwidths and setpoint limitation
- Ramp-function generator

Setpoint sources

The closed-loop control setpoint can be interconnected from various sources using BICO technology (e.g. to p1070 CI: main setpoint (see function diagram 3030)).

There are various options for setpoint input:

- Fixed speed setpoints
- Motorized potentiometer

- Jog
- Field bus
 - Setpoint via PROFIBUS, for example
- Via the analog inputs of the following exemplary components:
 - e.g. Terminal Board 30 (TB30)
 - e.g. Terminal Module 31 (TM31)
 - e.g. Terminal Module 41 (TM41)

2.3 Jog

Description

This function can be selected via digital inputs or via a field bus (e.g. PROFIBUS). The setpoint is, therefore, predefined via p1058[D] and p1059[D].

When a jog signal is present, the motor is accelerated to the jog setpoint with the acceleration ramp of the ramp-function generator (referred to the maximum speed p1082; see diagram "Function chart: jog 1 and jog 2"). After the jog signal has been deselected, the motor is decelerated via the set ramp of the ramp-function generator.

CAUTION

The "Jog" function is not PROFIdrive-compliant!

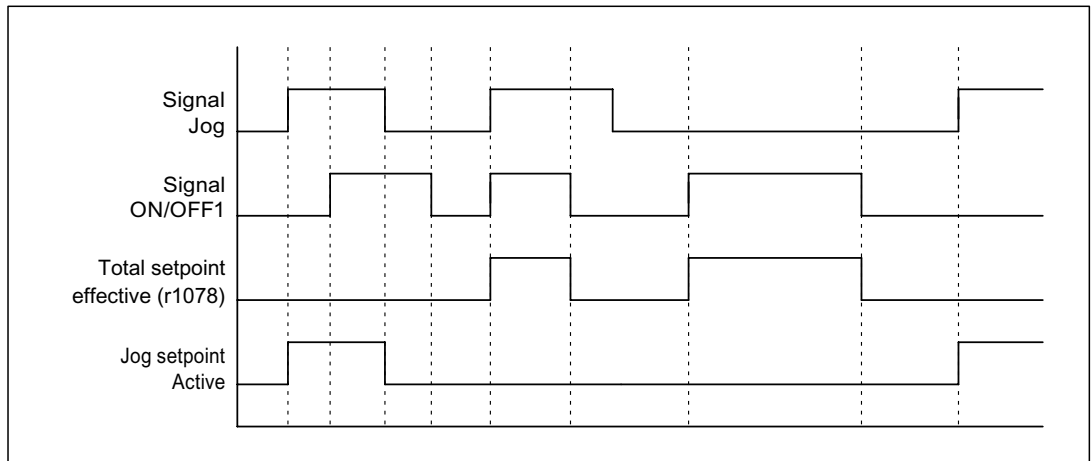


Figure 2-2 Function chart: jog and OFF1

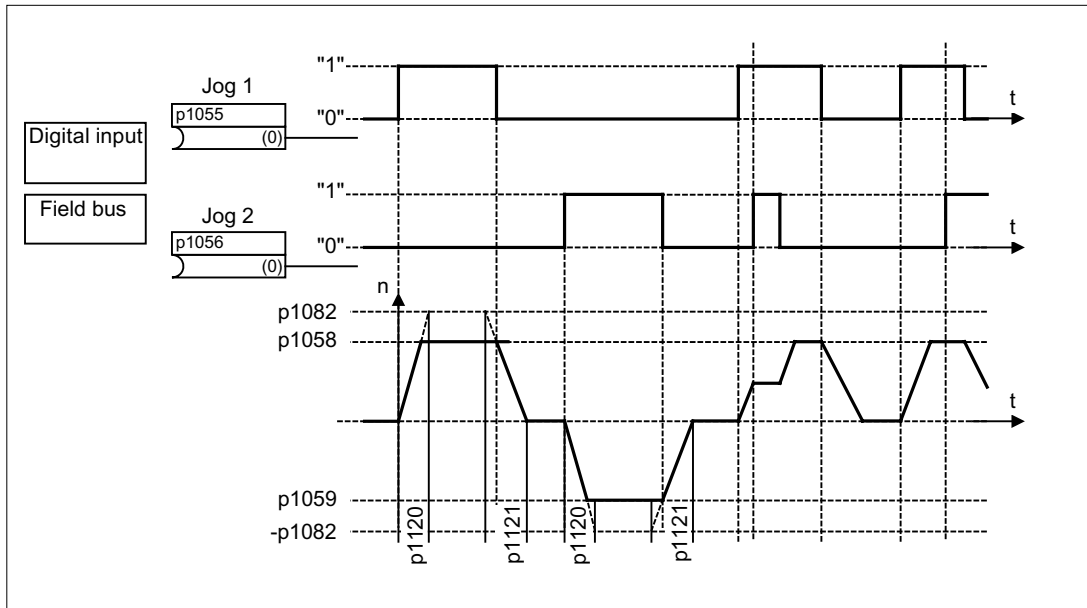


Figure 2-3 Function chart: jog 1 and jog 2

Jog properties

- If both jog signals are issued at the same time, the current speed is maintained (constant speed phase).
- Jog setpoints are approached and exited via the ramp-function generator.
- The jog function can be activated from the "ready for switching on" status and from the OFF1 deceleration ramp.
- If ON/OFF1 = "1" and jog are selected simultaneously, ON/OFF1 has priority.
- OFF2 and OFF3 have priority over jog.
- In "jog mode":
 - The main speed setpoints (r1078) and the additional setpoint 1 (p1155) are blocked.
 - The additional setpoint 2 (p1160) is forwarded and added to the current speed.
- The suppression bandwidths (p1091 ... p1094) and the minimum limit (p1080) in the setpoint channel are also active in jog mode.
- The ramp-function generator cannot be frozen (via p1141) in jog mode (r0046.31 = 1).

Jog sequence

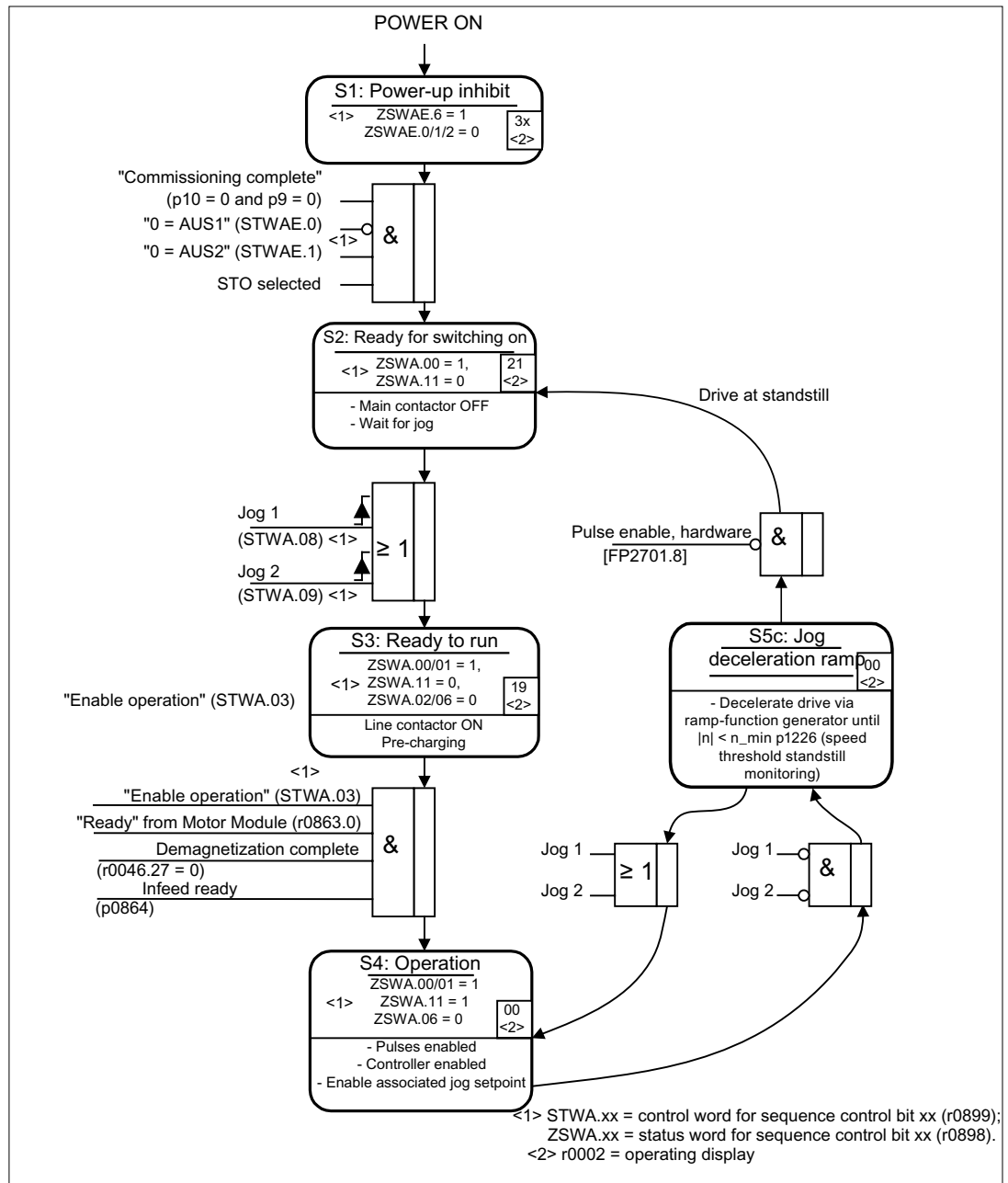


Figure 2-4 Jog sequence

Control and status messages

Table 2- 1 Jog control

Signal name	Internal control word	Binector input	PROFIdrive/Siemens telegram 1 ... 352
0 = OFF1	STWA.0	p0840 ON/OFF1	STW1.0
0 = OFF2	STWA.1	p0844 1. OFF2 p0845 2. OFF2	STW1.1
0 = OFF3	STWA.2	p0848 1. OFF3 p0849 2. OFF3	STW1.2
Enable operation	STWA.3	p0852 Enable operation	STW1.3
Jog 1	STWA.8	p1055 Jog bit 0	STW1.8 ¹⁾
Jog 2	STWA.9	p1056 Jog bit 1	STW1.9 ¹⁾

¹⁾ Interconnected automatically in telegrams 7, 9, 110, and 111 only

Table 2- 2 Jog status message

Signal name	Internal status word	Parameter	PROFIdrive/Siemens telegram 1 ... 352
Ready for switching on	ZSWA.0	r0899.0	ZSW1.0
Ready for operation	ZSWA.1	r0899.1	ZSW1.1
Operation enabled	ZSWA.2	r0899.2	ZSW1.2
Switching on inhibited	ZSWA.6	r0899.6	ZSW1.6
Pulses enabled	ZSWA.11	r0899.11	ZSW2.10 ²⁾

²⁾ Available in interface mode p2038 = 0 only


Function diagrams (see SINAMICS S120/S150 List Manual)

- 2610 Execution control - processor
- 3030 Setpoint addition, setpoint scaling, jog

Overview of important parameters (see SINAMICS S120/S150 List Manual)

- p1055[C] BI: Jog bit 0
- p1056[C] BI: Jog bit 1
- p1058[D] Jog 1 speed setpoint
- p1059[D] Jog 2 speed setpoint
- p1082[D] Maximum speed
- p1120[D] Ramp-function generator ramp-up time
- p1121[D] Ramp-function generator ramp-down time

Parameterization with STARTER

The "Speed setpoint jog" parameter screen is selected with the  icon in the toolbar of the STARTER commissioning tool:

2.4 Fixed speed setpoints

Description

This function can be used to specify preset speed setpoints. The fixed setpoints are defined in parameters and selected via binector inputs. Both the individual fixed setpoints and the effective fixed setpoint are available for further interconnection via a connector output (e.g. to connector input p1070 - CI: main setpoint).

Properties

- Number of fixed setpoints: Fixed setpoint 1 to 15
- Selection of fixed setpoints: Binector input bits 0 to 3
 - Binector input bits 0, 1, 2 and 3 = 0 -> setpoint = 0 active
 - Unused binector inputs have the same effect as a "0" signal

Function diagrams (see SINAMICS S120/S150 List Manual)

- 1550 Overviews - setpoint channel
- 3010 Fixed speed setpoints

Overview of important parameters (see SINAMICS S120/S150 List Manual)

Adjustable parameters

- p1001[D] CO: Fixed speed setpoint 1
- ...
- p1015[D] CO: Fixed speed setpoint 15
- p1020[C] BI: Fixed speed setpoint selection Bit 0
- p1021[C] BI: Fixed speed setpoint selection Bit 1
- p1022[C] BI: Fixed speed setpoint selection Bit 2
- p1023[C] BI: Fixed speed setpoint selection Bit 3

Display parameters

- r1024 CO: Fixed speed setpoint effective
- r1197 Fixed speed setpoint current number

Parameterization with STARTER

In the STARTER commissioning tool, the "Fixed setpoints" parameter screen in the project navigator under the relevant drive is activated by double-clicking Setpoint channel -> Fixed setpoints.

2.5 Motorized potentiometer

Description

This function is used to simulate an electromechanical potentiometer for setpoint input.

You can switch between manual and automatic mode for setpoint input. The specified setpoint is routed to an internal ramp-function generator. Setting values, start values and braking with OFF1 do not require the ramp-function generator of the motorized potentiometer.

The output of the ramp-function generator for the motorized potentiometer is available for further interconnection via a connector output (e.g. interconnection to connector input p1070 - CI: main setpoint, an additional ramp-function generator is then active).

Properties for manual mode (p1041 = "0")

- Separate binector inputs for Raise and Lower are used to adjust the input setpoint:
 - p1035 BI: Motorized potentiometer, setpoint, raise
 - p1036 BI: Motorized potentiometer, setpoint, lower
- Invert setpoint (p1039)
- Configurable ramp-function generator, e.g.:
 - Ramp-up/ramp-down time (p1047/p1048) referred to p1082
 - Setting value (p1043/p1044)
 - Initial rounding active/not active (p1030.2)
- Non-volatile storage via p1030.3
- Configurable setpoint for Power ON (p1030.0)
 - Starting value is the value in p1040 (p1030.0 = 0)
 - Starting value is the stored value (p1030.0 = 1)

Properties for automatic mode (p1041 = "1")

- The input setpoint is specified via a connector input (p1042).
- The motorized potentiometer acts like a "normal" ramp-function generator.
- Configurable ramp-function generator, e.g.:
 - Switch on/off (p1030.1)
 - Ramp-up/ramp-down time (p1047/p1048)
 - Setting value (p1043/p1044)
 - Initial rounding active/not active (p1030.2)
- Non-volatile storage of the setpoints via p1030.3
- Configurable setpoint for Power ON (p1030.0)
 - Starting value is the value in p1040 (p1030.0 = 0)
 - Starting value is the stored value (p1030.0 = 1)

Function diagrams (see SINAMICS S120/S150 List Manual)

- 1550 Setpoint channel
- 2501 Control word sequence control
- 3020 Motorized potentiometer

Overview of important parameters (see SINAMICS S120/S150 List Manual)

- p1030[D] Motorized potentiometer, configuration
- p1035[C] BI: Motorized potentiometer, setpoint, raise
- p1036[C] BI: Motorized potentiometer, setpoint, lower
- p1037[D] Motorized potentiometer, maximum speed
- p1038[D] Motorized potentiometer, minimum speed
- p1039[C] BI: Motorized potentiometer, inversion
- p1040[D] Motorized potentiometer, starting value
- p1041[C] BI: Motorized potentiometer, manual/automatic
- p1042[C] CI: Motorized potentiometer, automatic setpoint
- p1043[C] BI: Motorized potentiometer, accept setpoint
- p1044[C] CI: Motorized potentiometer, setting value
- r1045 CO: Motorized potentiometer, speed setpoint in front of the ramp-function generator
- p1047[D] Motorized potentiometer, ramp-up time
- p1048[D] Motorized potentiometer, ramp-down time
- r1050 CO: Motorized potentiometer, setpoint after the ramp-function generator
- p1082[D] Maximum speed

Parameterization with STARTER

In the STARTER commissioning tool, the "Motorized potentiometer" parameter screen in the project navigator under the relevant drive is activated by double-clicking Setpoint channel -> Motorized potentiometer.

2.6 Main/supplementary setpoint and setpoint modification

Description

The supplementary setpoint can be used to incorporate correction values from lower-level controllers. This can be easily carried out using the addition point for the main/supplementary setpoint in the setpoint channel. Both variables are imported simultaneously via two separate or one setpoint source and added in the setpoint channel.

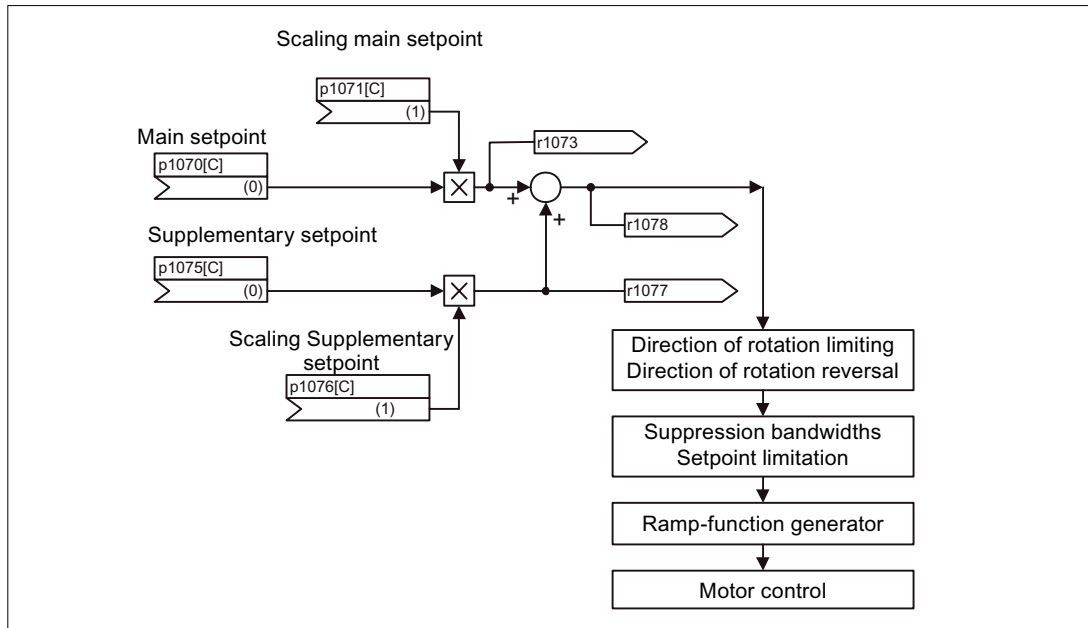


Figure 2-5 Setpoint addition, setpoint scaling

Function diagrams (see SINAMICS S120/S150 List Manual)

- 1550 Setpoint channel
- 3030 Main/supplementary setpoint, setpoint scaling, jog

Overview of important parameters (see SINAMICS S120/S150 List Manual)


Adjustable parameters

- p1070[C] CI: Main setpoint
- p1071[C] CI: Main setpoint scaling
- p1075[C] CI: Supplementary setpoint
- p1076[C] CI: Supplementary setpoint scaling

Display parameters

- r1073[C] CO: Main setpoint effective
- r1077[C] CO: Supplementary setpoint effective
- r1078[C] CO: Total setpoint effective

Parameterization with STARTER

The "Speed setpoint" parameter screen is selected with the  icon in the toolbar of the STARTER commissioning tool:

2.7 Direction of rotation limiting and direction of rotation changeover

Description

A reverse operation involves a direction reversal. Selecting setpoint inversion p1113[C] can reverse the direction in the setpoint channel.

Parameter p1110[C] or p1111[C] can be set respectively to prevent input of a negative or positive setpoint via the setpoint channel. However, the following settings for minimum speed (p1080) in the setpoint channel are still operative. With the minimum speed, the motor can turn in a negative direction, although p1110 = 1 is set.

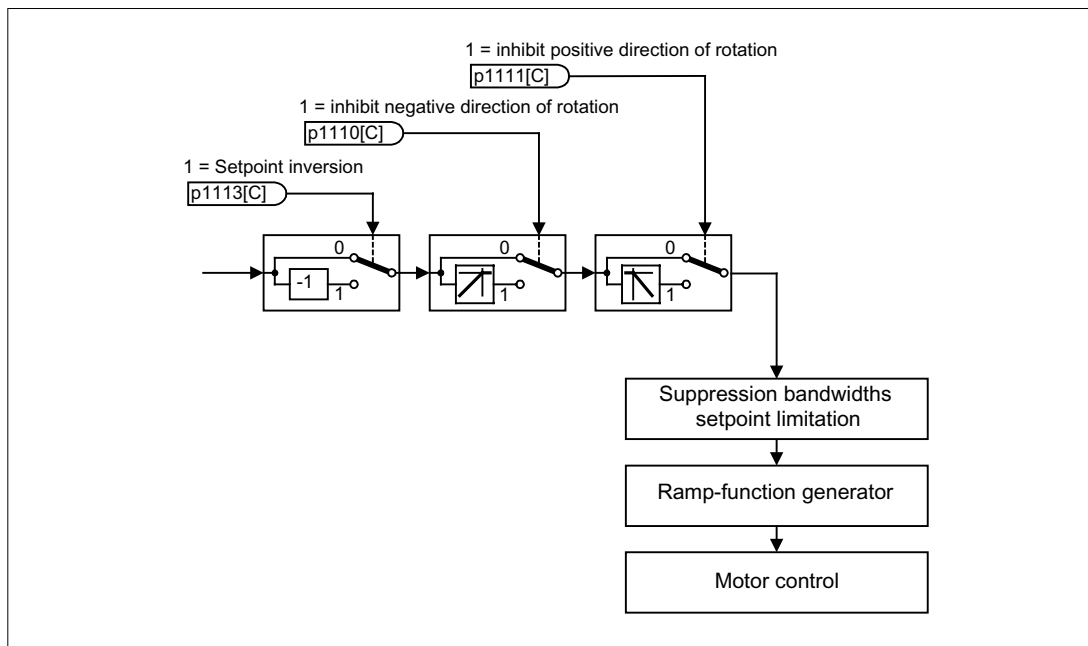


Figure 2-6 Direction of rotation limiting and direction of rotation changeover

Function diagrams (see SINAMICS S120/S150 List Manual)


- 1550 Setpoint channel
- 3040 Direction limitation and direction reversal

Overview of important parameters (see SINAMICS S120/S150 List Manual)

Adjustable parameters

- p1110[C] BI: Block negative direction
- p1111[C] BI: Block positive direction
- p1113[C] BI: Setpoint inversion

Parameterization with STARTER

The "Speed setpoint" parameter screen is selected with the  icon in the toolbar of the STARTER commissioning tool:

2.8 Suppression bandwidths and setpoint limits

Description

In the range 0 U/min to setpoint speed, a drive train (e.g. motor, coupling, shaft, machine) can have one or more points of resonance, which can result in vibrations. The suppression bandwidths can be used to prevent operation in the resonance frequency range.

The limit frequencies can be set via p1080[D] and p1082[D]. These limits can also be changed during operation with the connectors p1085[C] and p1088[C].

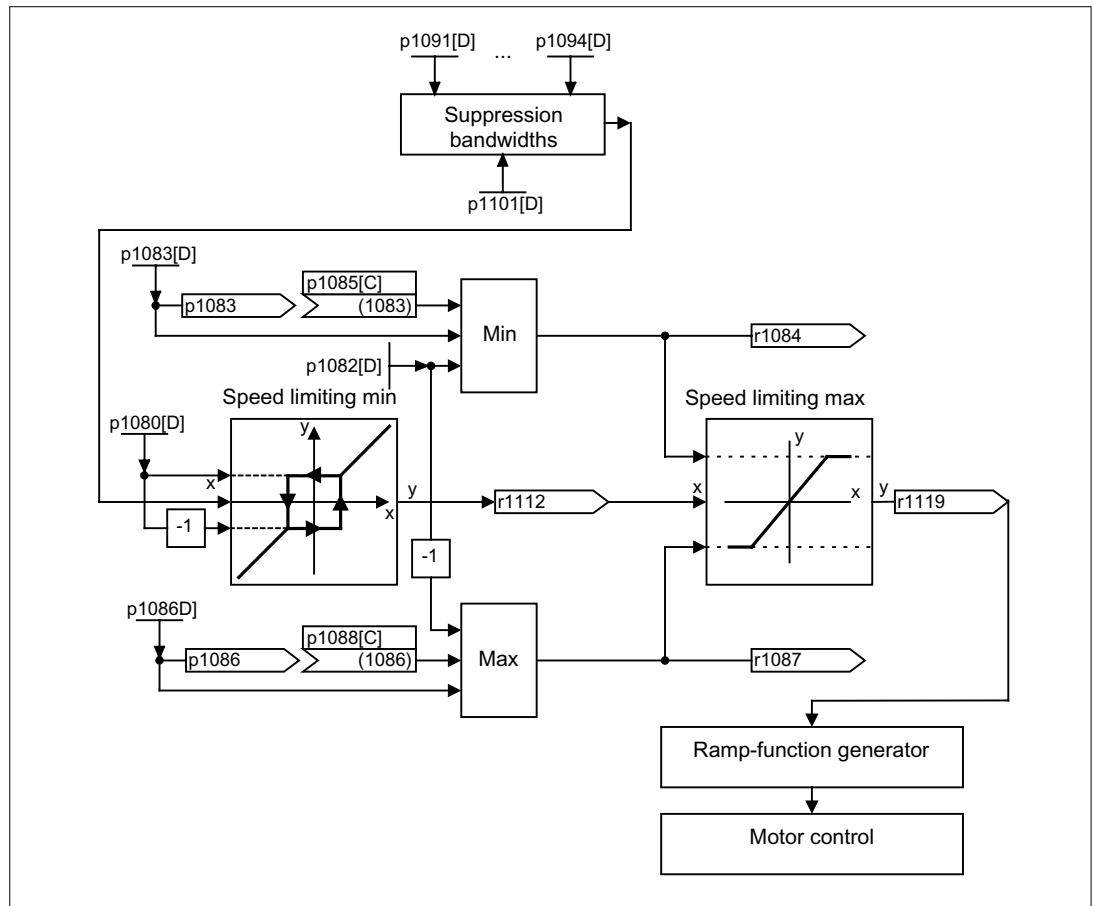


Figure 2-7 Suppression bandwidths, setpoint limitation

Function diagrams (see SINAMICS S120/S150 List Manual)

- 1550 Setpoint channel
- 3050 Suppression bandwidth and speed limiting

Overview of important parameters (see SINAMICS S120/S150 List Manual)

Setpoint limitation

- p1080[D] Minimum speed
- p1082[D] Maximum speed
- p1083[D] CO: Speed limit in positive direction of rotation
- r1084 Speed limit positive effective
- p1085[C] CI: Speed limit in positive direction of rotation
- p1086[D] CO: Speed limit negative direction of rotation
- r1087 Speed limit negative effective
- p1088[C] CI: Speed limit negative direction of rotation
- r1119 Ramp-function generator setpoint at the input

Suppression bandwidths

- p1091[D] Suppression speed 1
- ...
- p1094[D] Suppression speed 4
- p1101[D] Suppression speed bandwidth

Parameterization with STARTER

The "speed limitation" parameter screen is selected by activating the following icon in toolbar of the STARTER commissioning tool:



Figure 2-8 STARTER icon for "speed limitation"

2.9 Ramp-function generator

Description

The ramp-function generator is used to limit acceleration in the event of abrupt setpoint changes, which helps prevent load surges throughout the drive train. The ramp-up time $p1120[D]$ and ramp-down time $p1121[D]$ can be used to set mutually independent acceleration and deceleration ramps. This allows a controlled transition to be made in the event of setpoint changes.

The maximum speed $p1082[D]$ is used as a reference value for calculating the ramps from the ramp-up and ramp-down times. A special adjustable ramp can be set via $p1135$ for quick stop (OFF3), e.g. for rapid controlled deceleration when an emergency OFF button is pressed.

There are two types of ramp-function generator:

- Basic ramp-function generator with
 - Acceleration and deceleration ramps
 - Ramp for quick stop (OFF3)
 - Tracking can be selected via a binector input
 - Setting values for the ramp-function generator
- Extended ramp-function generator also has
 - Initial and final rounding off

Note

The ramp-function generator cannot be frozen (via $p1141$) in jog mode ($r0046.31 = 1$).

Properties of the basic ramp-function generator

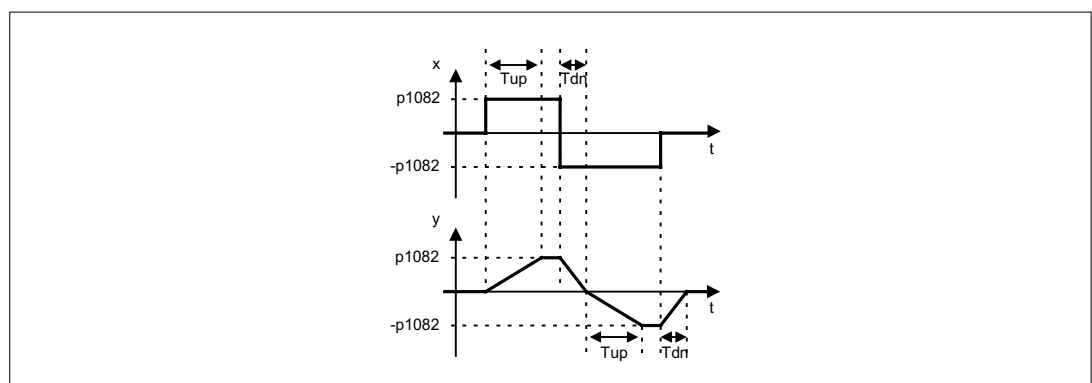


Figure 2-9 Ramp-up and ramp-down with the basic ramp-function generator

- RFG ramp-up time Tup $p1120[D]$
- RFG ramp-down time Tdn $p1121[D]$

- OFF3 deceleration ramp
 - OFF3 ramp-down time p1135[D]
- Set ramp-function generator
 - Ramp-function generator setting value p1144[C]
 - Set ramp-function generator signal p1143[C]
- Freezing of the ramp-function generator using p1141 (not in jog mode r0046.31 = 0)

Properties of the extended ramp-function generator

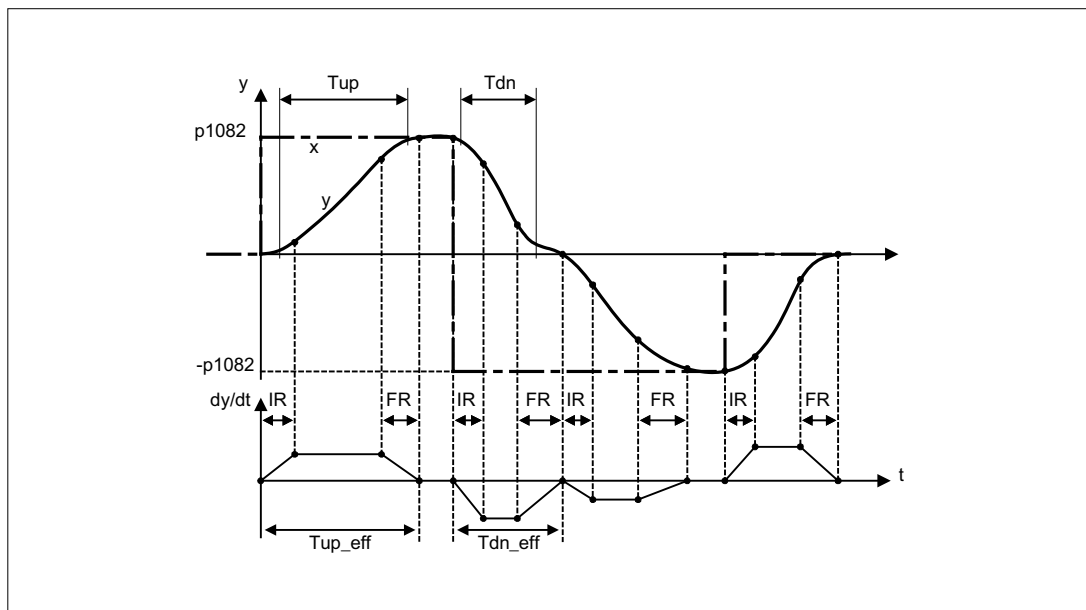


Figure 2-10 Extended ramp-function generator

- RFG ramp-up time T_{up} p1120[D]
- RFG ramp-down time T_{dn} p1121[D]
- Initial rounding IR p1130[D]
- Final rounding FR p1131[D]
- Rounding type p1134[D]
- Effective ramp-up time
 $T_{up_eff} = T_{up} + (IR/2 + FR/2)$
- Effective ramp-down time
 $T_{dn_eff} = T_{dn} + (IR/2 + FR/2)$
- OFF3 deceleration ramp
 OFF3 ramp-down time p1135[D]
 OFF3 initial rounding p1136[D]
 OFF3 final rounding p1137[D]

- Set ramp-function generator
 - Ramp-function generator setting value p1144[C]
 - Set ramp-function generator signal p1143[C]
- Select ramp-function generator rounding type p1134[D]
 - p1134 = "0": continuous smoothing rounding is always active. Overshoots may occur. If the setpoint changes, final rounding is carried out and then the direction of the new setpoint is adopted.
 - p1134 = "1": non-continuous smoothing changes immediately to the direction of the new setpoint when the setpoint is changed.
- Configure ramp-function generator, deactivate rounding at zero crossing p1151[D]
- Freezing of the ramp-function generator using p1141 (not in jog mode r0046.31 = 0)

Ramp-function generator tracking

If the drive is in the area of the torque limits, the actual speed value is removed from the speed setpoint. The ramp-function generator tracking updates the speed setpoint in line with the actual speed value and so levels the ramp. p1145 can be used to deactivate ramp-function generator tracking (p1145 = 0) or set the permissible following error (p1145 > 1). If the permissible following error is reached, then the speed setpoint at the ramp-function generator output will only be further increased in proportion to the speed setpoint.

Ramp-function generator tracking can be activated for the basic and the extended ramp-function generators.

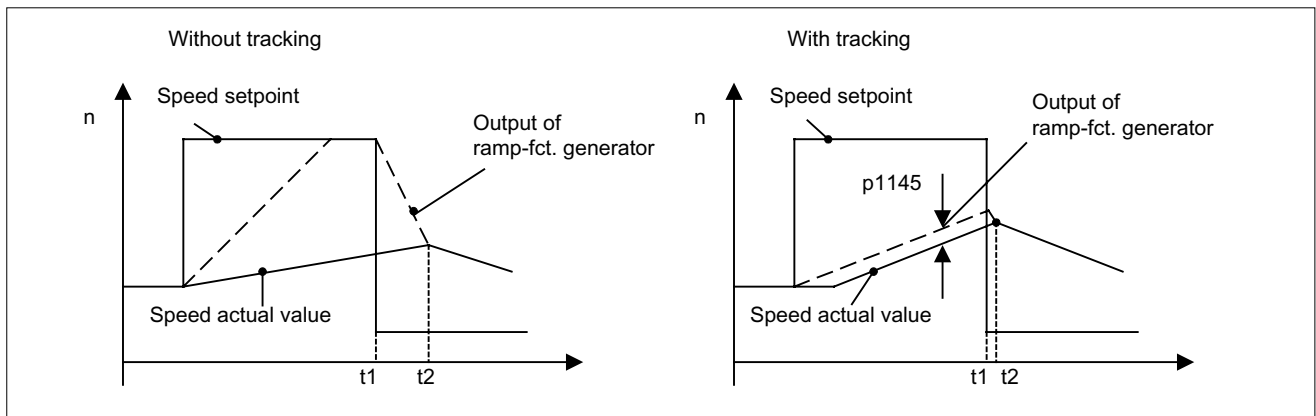


Figure 2-11 Ramp-function generator tracking

Without ramp-function generator tracking

- p1145 = 0
- Drive accelerates until t2 although setpoint < actual value

With ramp-function generator tracking

- At $p1145 > 1$ (values between 0 and 1 are not applicable), ramp-function generator tracking is activated when the torque limit is approached. The ramp-function generator output thereby only exceeds the actual speed value by a deviation value that can be defined in $p1145$.
- $t1$ and $t2$ almost identical

Function diagrams (see SINAMICS S120/S150 List Manual)

- 1550 Setpoint channel
- 3060 Basic ramp-function generator
- 3070 Extended ramp-function generator
- 3080 Ramp-function generator selection, status word, tracking

Signal overview (see SINAMICS S120/S150 List Manual)

- Control signal STW1.2 OFF3
- Control signal STW1.4 Enable ramp-function generator
- Control signal STW1.5 Start/stop ramp-function generator
- Control signal STW1.6 Enable setpoint
- Control signal STW2.1 Bypass ramp-function generator

Parameterization with STARTER

The "ramp-function generator" parameter screen is selected via the following icon in the toolbar of the STARTER commissioning tool:



Figure 2-12 STARTER icon for "ramp-function generator"

Overview of important parameters (see SINAMICS S120/S150 List Manual)

Adjustable parameters

- $p1115$ Ramp-function generator selection
- $p1120[D]$ Ramp-function generator ramp-up time
- $p1121[D]$ Ramp-function generator ramp-down time
- $p1122[C]$ BI: Bypass ramp-function generator
- $p1130[D]$ Ramp-function generator initial rounding time
- $p1131[D]$ Ramp-function generator final rounding time
- $p1134[D]$ Ramp-function generator rounding type
- $p1135[D]$ OFF3 ramp-down time

- p1136[D] OFF3 initial rounding time
- p1137[D] OFF3 final rounding time
- p1140[C] BI: Enable ramp-function generator
- p1141[C] BI: Start ramp-function generator
- p1143[C] BI: Ramp-function generator, accept setting value
- p1144[C] CI: Ramp-function generator setting value
- p1145[D] Ramp-function generator tracking
- p1148 [D] Ramp-function generator tolerance for ramp-up and ramp-down active
- p1151 [D] Ramp-function generator configuration

Display parameters

- r1119 CO: Ramp-function generator setpoint at the input
- p1149 Ramp-function generator acceleration
- r1150 CO: Ramp-function generator speed setpoint at the output

Servo control

This type of closed-loop control enables operation with a high dynamic response and precision for a motor with a motor encoder.

Comparison of servo control and vector control

The table below shows a comparison between the characteristic features of the servo and vector controls.

Table 3- 1 Comparison of servo control and vector control

Subject	Servo	Vector
Typical applications	Drives with highly dynamic motion control. Drives with high speed and torque accuracy (servo synchronous motors). Angular-locked synchronism with isochronous PROFIdrive. For use in machine tools and clocked production machines	Speed and torque-controlled drives with high speed and torque accuracy, particularly in operation without an encoder (sensorless operation).
Maximum number of drives that can be controlled by one Control Unit.	1 infeed + 6 drives (with sampling rate of current controller 125 μ s / speed controller 125 μ s) 1 infeed + 2 drives (with sampling rate of current controller 62.5 μ s / speed controller 62.5 μ s)	1 Active Line Module + 2 Motor Modules (with sampling time of current controller 250 μ s / speed controller 1 ms) 1 Active Line Module + 4 Motor Modules (with sampling time of current controller 400 μ s/500 μ s / speed controller 1.6 ms/2ms) V/f control: 1 Active Line Module + 8 Motor Modules (with sampling time of current controller 500 μ s / speed controller 4 ms)
Dynamic response	High	Average

2.9 Ramp-function generator

Subject	Servo	Vector
Sampling time current controller/speed controller/pulse frequency	<p>Booksize: 125 μs / 125 μs / >= 4 kHz (factory setting 4 kHz)</p> <p>Blocksize: 125 μs / 125 μs / >= 4 kHz (factory setting 4 kHz)</p> <p>Chassis (frame sizes Fx and Gx): 250 μs / 250 μs / >= 2 kHz (factory setting 2 kHz) 125 μs / 125 μs / >= 4 kHz</p>	<p>Booksize: 250 μs / 1000 μs / >=2 kHz (factory setting 4 kHz) 500 μs / 2000 μs / >= 2 kHz (factory setting 4 kHz)</p> <p>Blocksize: 250 μs / 1000 μs / >= 2 kHz (factory setting 4 kHz) 500 μs / 2000 μs / >=2 kHz (factory setting 4 kHz)</p> <p>Chassis: <=250kW: 250 μs / 1000 μs / >=2 kHz > 250 kW: 400 μs / 1600 μs / >=1.25 kHz 690 V: 400 μs / 1600 μs / >=1.25 kHz</p>
Connectable motors	<p>Synchronous servomotors Induction motors Torque motors</p>	<p>Induction motors Synchronous motors (incl. torque motors) Reluctance motors (only for V/f control) Separately excited synchronous motors (only for closed-loop control with encoder)</p> <p>Note: Synchronous motors of series 1FT6, 1FK6 and 1FK7 not included</p>
Position interface via PROFIdrive for higher-level motion control	Yes	Yes
Encoderless speed control	Yes (from 10 % rated motor speed)	Yes (from standstill or 2% rated motor speed)
Motor identification (third-party motors)	Yes	Yes
Speed controller optimization	Yes	No, only pre-assignment of parameters
V/f control	Diagnostic mode	Yes (various characteristics)
Encoderless closed-loop torque control	No	Yes (open-loop control at low speeds)
Field-weakening range for induction motors	<p><= 16 * field-weakening threshold speed (with encoder) <= 5 * field-weakening threshold speed (without encoder)</p>	<= 5 * rated motor speed
Maximum output frequency with closed-loop control	<p>1300 Hz with 62.5 μs / 8 kHz 650 Hz with 125 μs / 4 kHz 300 Hz with 250 μs / 2kHz</p>	<p>300 Hz with 250 μs / 4 kHz or with 400 μs / 5 kHz 240 Hz with 500 μs / 4 kHz</p>

Subject	Servo	Vector
Note: The derating characteristics in the Equipment Manuals must be carefully observed! Max. output frequency when using dv/dt and sine-wave filters 150 Hz!		
Reaction in operation at the thermal limit of the motor	Reduction in the current setpoint or shutdown	Reduction in the pulse frequency and / or the current setpoint or shutdown (not applicable with parallel connection / sine-wave filter)
Speed setpoint channel (ramp-function generator)	Optional (reduces the number of drives from 6 to 5 Motor Modules with a sampling time for current controller of 125 μ s/speed controller 125 μ s)	Standard
Parallel connection of power units	No	Booksize: No Chassis: Yes

3.1 Speed controller

The speed controller controls the motor speed using the actual values from the encoder (operation with encoder) or the calculated actual speed value from the electric motor model (operation without encoder).

Properties

- Speed setpoint filter
- Speed controller adaptation

Note

Speed and torque cannot be controlled simultaneously. If speed control is activated, this has priority over torque control.

Limits

The maximum speed p1082[D] is defined with default values for the selected motor and becomes active during commissioning. The ramp function generators refer to this value.

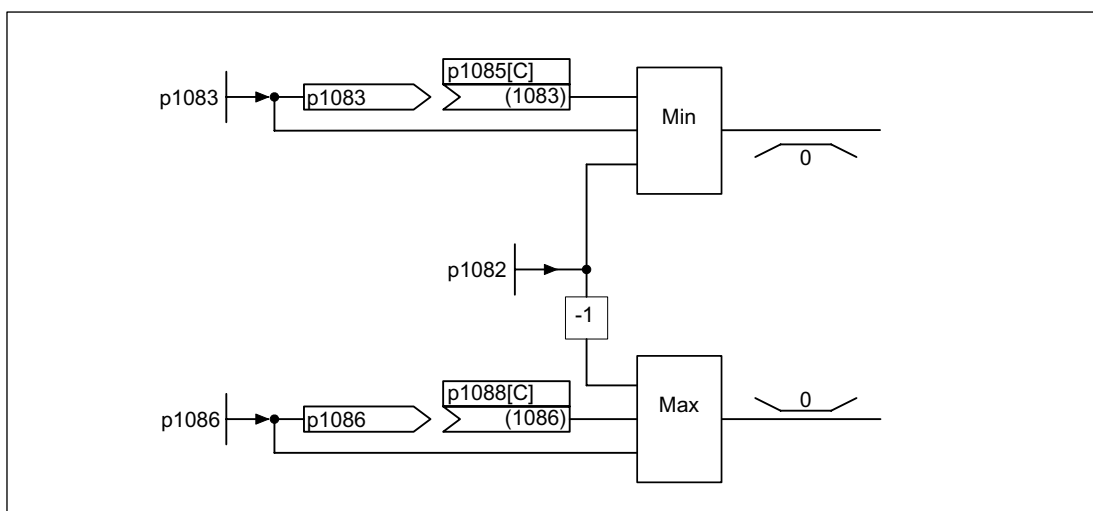


Figure 3-1 Speed controller limitations

3.2 Speed setpoint filter

The two speed setpoint filters are identical in structure and can be used as follows:

- Bandstop
- Low-pass 1st order (PT1) or
- Low-pass 2nd order (PT2)

Both filters are activated via parameter p1414.x. Parameters p1415 and p1421 are used to select the filter elements.

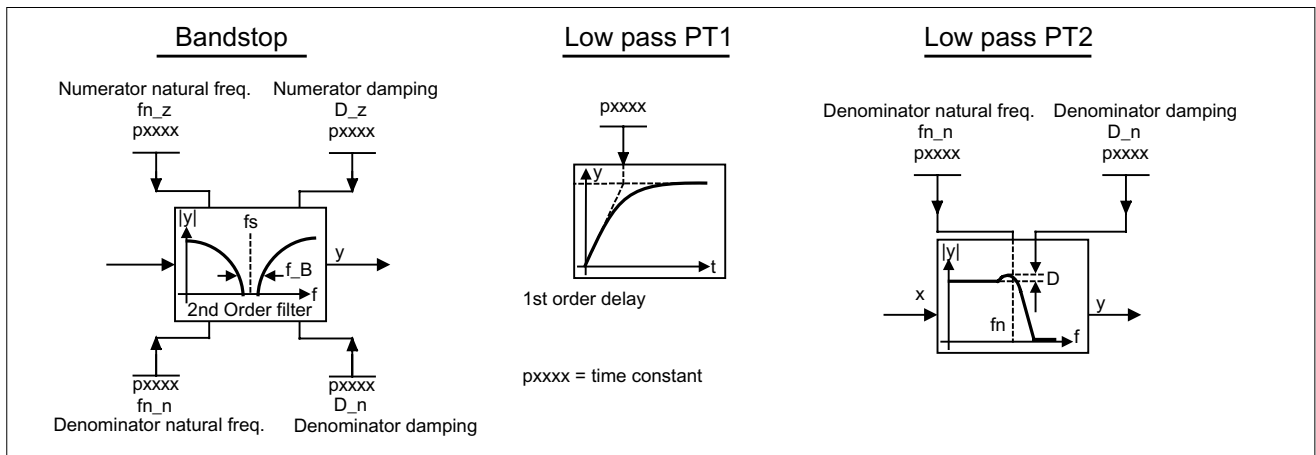


Figure 3-2 Filter overview for speed setpoint filters

Function diagrams (see SINAMICS S120/S150 List Manual)


- 5020 Speed setpoint filter and speed pre-control

Overview of important parameters (see SINAMICS S120/S150 List Manual)

Adjustable parameters

- p1414[D] Speed setpoint filter activation
- p1415[D] Speed setpoint filter 1 type
- p1416[D] Speed setpoint filter 1 time constant
- p1417[D] Speed setpoint filter 1 denominator natural frequency
- p1418[D] Speed setpoint filter 1 denominator damping
- p1419[D] Speed setpoint filter 1 numerator natural frequency
- p1420[D] Speed setpoint filter 1 numerator damping
- p1421[D] Speed setpoint filter 2 type
- p1422[D] Speed setpoint filter 2 time constant
- p1423[D] Speed setpoint filter 2 denominator natural frequency
- p1424[D] Speed setpoint filter 2 denominator damping
- p1425[D] Speed setpoint filter 2 numerator natural frequency
- p1426[D] Speed setpoint filter 2 numerator damping

Parameterization

In the STARTER commissioning tool, the "Speed setpoint filter" parameter screen is selected with the  icon in the toolbar:

3.3 Speed controller adaptation

Description

Two adaptation methods are available, namely free Kp_n adaptation and speed-dependent Kp_n/Tn_n adaptation.

Free Kp_n adaptation is also active in "operation without encoder" mode and is used in "operation with encoder" mode as an additional factor for speed-dependent Kp_n adaptation.

Speed-dependent Kp_n/Tn_n adaptation is only active in "operation with encoder" mode and also affects the Tn_n value.

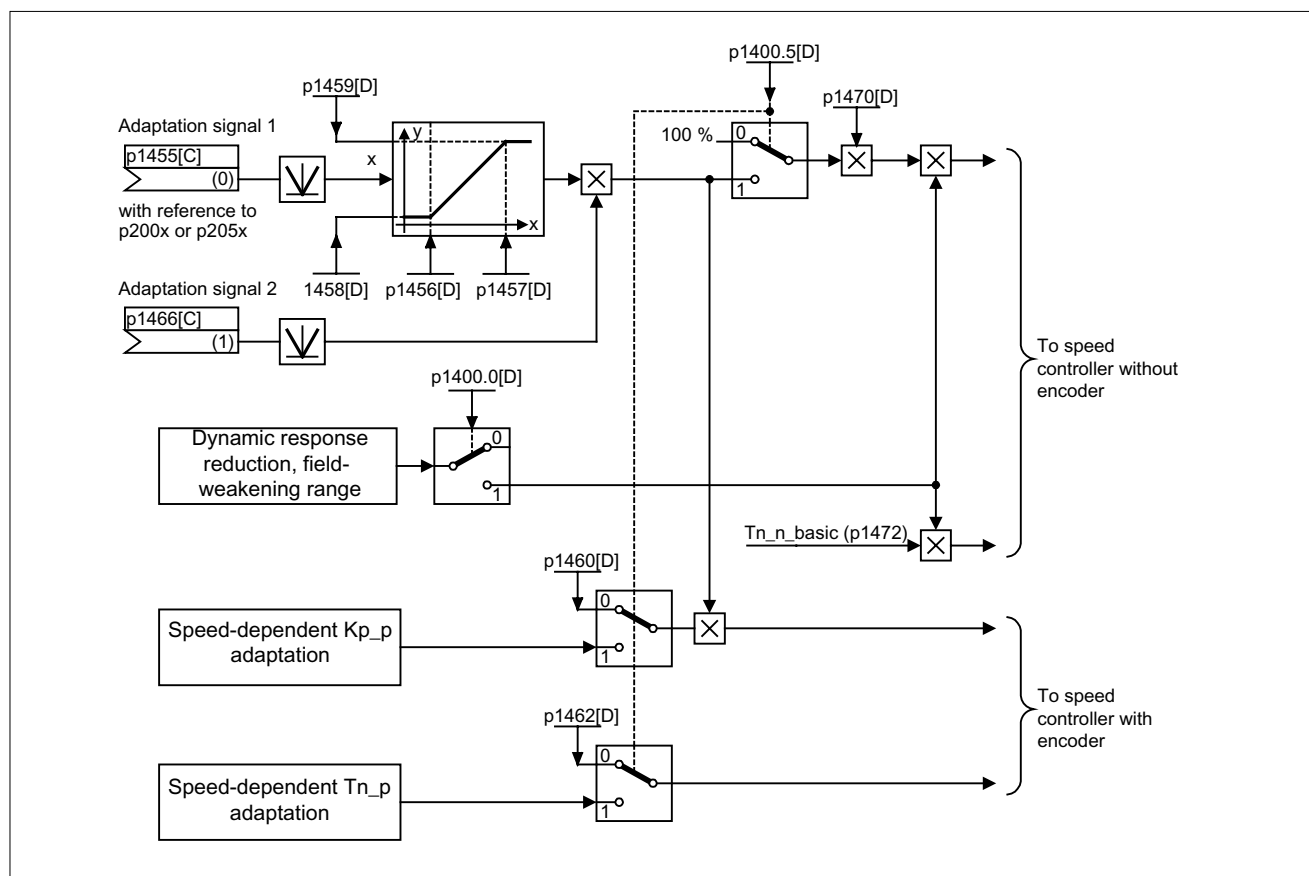


Figure 3-3 Free Kp_n adaptation

Example of speed-dependent adaptation

Note

This type of adaptation is only active in "operation with encoder" mode.

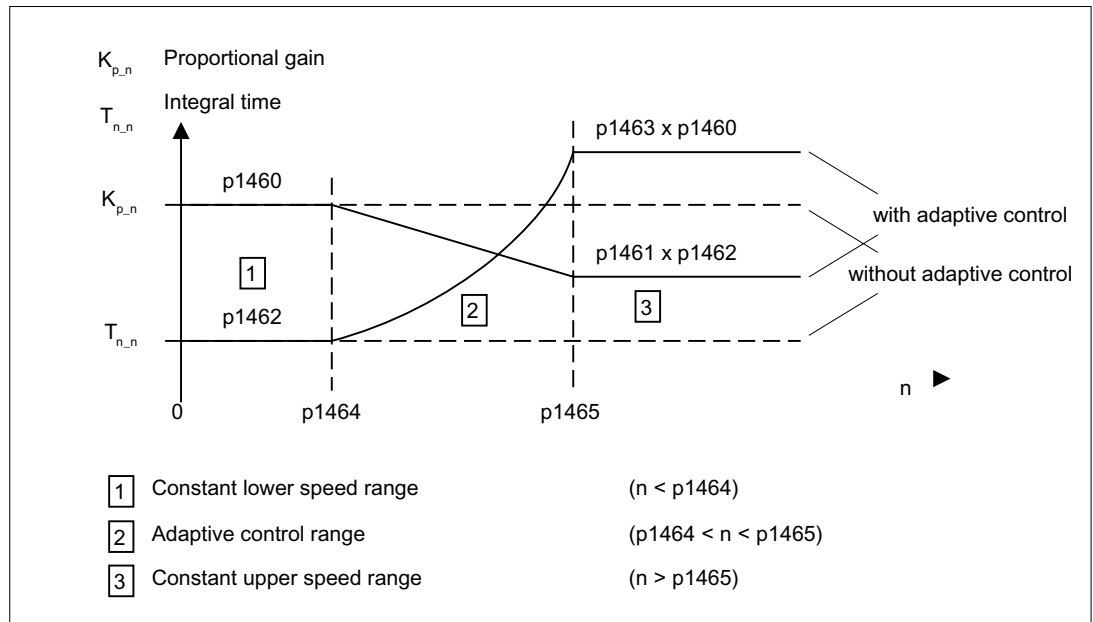


Figure 3-4 Speed controller $K_{p,n}/T_{n,n}$ adaptation

Parameterization

The "speed controller" parameter screen is selected via the following icon in the toolbar of the STARTER commissioning tool:



Figure 3-5 STARTER icon for "speed controller"

Function diagrams (see SINAMICS S120/S150 List Manual)

- 5050 $K_{p,n}$ and $T_{n,n}$ adaptation

Overview of important parameters (see SINAMICS S120/S150 List Manual)

Free $K_{p,n}$ adaptation

- $p1455[0...n]$ CI: Speed controller P gain adaptation signal
- $p1456[0...n]$ Speed controller P gain adaptation lower starting point
- $p1457[0...n]$ Speed controller P gain adaptation upper starting point
- $p1458[0...n]$ Lower adaptation factor
- $p1459[0...n]$ Upper adaptation factor

Speed-dependent Kp_n/Tn_n adaptation

- p1460[0...n] Speed controller P gain lower adaptation speed
- p1461[0...n] Speed controller Kp adaptation speed upper scaling
- p1462[0...n] Speed controller integral time lower adaptation speed
- p1463[0...n] Speed controller Tn adaptation speed upper scaling
- p1464[0...n] Speed controller lower adaptation speed
- p1465[0...n] Speed controller upper adaptation speed
- p1466[0...n] CI: Speed controller P gain scaling

3.4 Torque-controlled operation

Description

An operating mode switchover (p1300) can be carried out or a binector input (p1501) used to switch from speed control to torque control mode. All torque setpoints from the speed control system are rendered inactive. The setpoints for torque control mode are selected by parameterization.

Properties

- Switchover to torque control mode via:
 - Operating mode selection
 - Binector input
- Torque setpoint can be specified:
 - The torque setpoint source can be selected
 - The torque setpoint can be scaled
 - An additional torque setpoint can be entered
- Display of the overall torque

Commissioning of torque control mode

1. Set torque control mode (p1300 = 23; p1501 = "1" signal)
2. Specify torque setpoint
 - Select source (p1511)
 - Scale setpoint (p1512)
 - Select supplementary setpoint (1513)

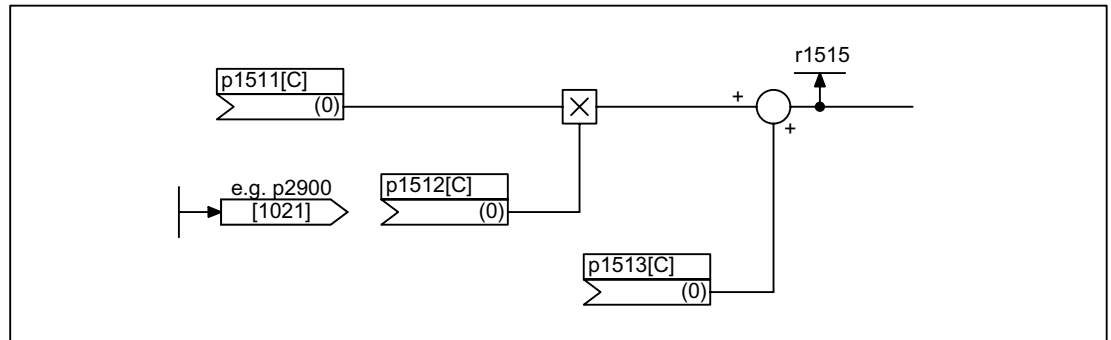


Figure 3-6 Torque setpoint

3. Activate enable signals

OFF responses

- OFF1 and p1300 = 23
 - Reaction as for OFF2
- OFF1, p1501 = "1" signal and p1300 ≠ 23
 - No separate braking response; the braking response takes place by a drive that specifies the torque.
 - The pulses are suppressed when the brake application time (p1217) expires. Standstill is detected when the actual speed value is less than the speed threshold (p1226) or when the monitoring time (p1227) that started when speed setpoint ≤ speed threshold (p1226) has expired.
 - Switching on inhibited is activated.
- OFF2
 - Immediate pulse suppression, the drive coasts to standstill.
 - The motor brake (if parameterized) is closed immediately.
 - Switching on inhibited is activated.
- OFF3
 - Switch to speed-controlled operation
 - n_set = 0 is input immediately to brake the drive along the OFF3 deceleration ramp (p1135).
 - When zero speed is detected, the motor brake (if parameterized) is closed.
 - The pulses are suppressed when the motor brake application time (p1217) has elapsed. Standstill is detected when the actual speed value is less than the speed threshold (p1226) or when the monitoring time (p1227) that started when speed setpoint ≤ speed threshold (p1226) has expired.
 - Switching on inhibited is activated.

Function diagrams (see SINAMICS S120/S150 List Manual)

- 5060 Torque setpoint, control type switchover
- 5610 Torque limiting/reduction/interpolator

Signal overview (see SINAMICS S120/S150 List Manual)

- r1406.12 Torque control active

Parameterization

The "torque setpoint" parameter screen is selected via the following icon in the toolbar of the STARTER commissioning tool:



Figure 3-7 STARTER icon for "torque setpoint"

Overview of important parameters (see SINAMICS S120/S150 List Manual)

Adjustable parameters

- p1300 Open-loop/closed-loop control operating mode
- p1501[C] BI: Change over between closed-loop speed/torque control
- p1511[C] CI: Supplementary torque 1
- p1512[C] CI: Supplementary torque 1 scaling
- p1513[C] CI: Supplementary torque 2

Display parameters

- r1515 Supplementary torque total

3.5 Torque setpoint limitation

Description

The steps required for limiting the torque setpoint are as follows:

1. Define the torque setpoint and an additional torque setpoint
2. Generate torque limits

The torque setpoint can be limited to a maximum permissible value in all four quadrants. Different limits can be parameterized for motor and regenerative modes.

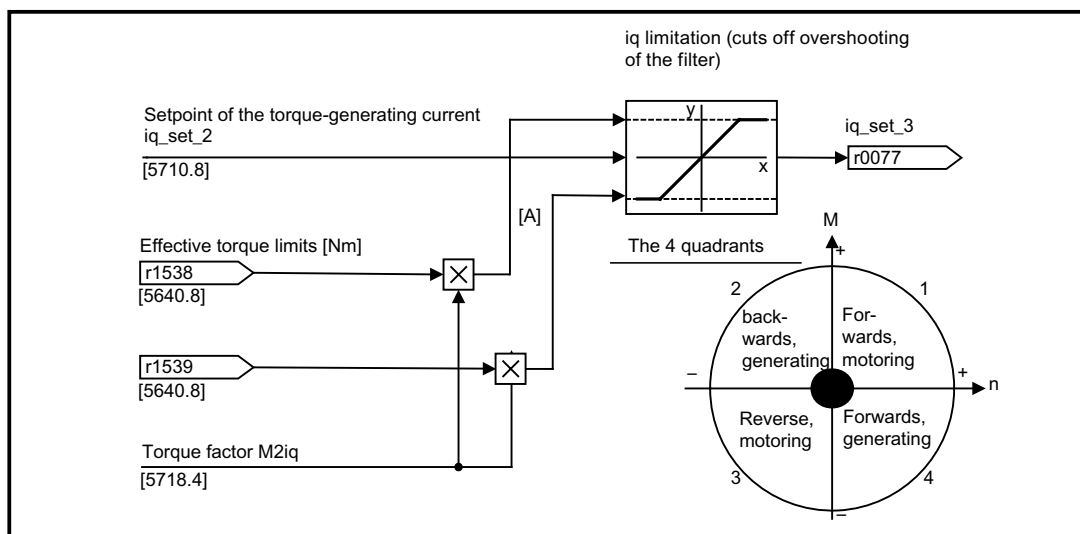


Figure 3-8 Current/torque setpoint limiting

Note

This function is effective immediately without any settings. The user can also define further settings for limiting the torque.

Properties

The connector inputs of the function are initialized with fixed torque limits. If required, the torque limits can also be defined dynamically (during operation).

- A control bit can be used to select the torque limitation mode. The following alternatives are available:
 - Upper and lower torque limit
 - Motor and regenerative torque limit
- Additional power limitation configurable
 - Motor mode power limit
 - Regenerative mode power limit
- The following factors are monitored by the current controller and thus always apply in addition to torque limitation:
 - Stall power
 - Maximum torque-generating current
- Offset of the setting values also possible (see "Example: Torque limits with or without offset").
- The following torque limits are displayed via parameters:
 - Lowest of all upper torque limits with and without offset
 - Highest of all lower torque limits with and without offset

Fixed and variable torque limit settings

Table 3- 2 Fixed and variable torque limit settings

Selection	Torque limitation mode			
	Maximum upper or lower torque limits p1400.4 = 0		Maximum motor or regenerative mode torque limits p1400.4 = 1	
Fixed torque limit	Upper torque limit (as positive value)	p1520	Motor mode torque limit (as positive value)	p1520
	Lower torque limit (as negative value)	p1521	Regenerative mode torque limit (as negative value)	p1521
Source for variable torque limit	Upper torque limit	p1522	Motor mode torque limit	p1522
	Lower torque limit	p1523	Regenerative mode torque limit	p1523
Source for variable scaling factor of torque limit	Upper torque limit	p1528	Motor mode torque limit	p1528
	Lower torque limit	p1529	Regenerative mode torque limit	p1529
Torque offset for torque limit	Shifts the upper and lower torque limits together	p1532	Shifts the motor and regenerative mode torque limits together	p1532

Variants of torque limitation

The following variants are available:

1. No settings entered:
The application does not require any additional restrictions to the torque limits.
2. Fixed limits are required for the torque:
The fixed upper and lower limits or alternatively the fixed motor and regenerative limits can be specified separately by different sources.
3. Dynamic limits are required for the torque:
 - The dynamic upper and lower limit or, alternatively, the dynamic motor and regenerative limit can be specified separately by different sources.
 - Parameters are used to select the source of the current limit.
4. A torque offset can be parameterized.
5. In addition, the power limits can be parameterized separately for motor and regenerative mode.

NOTICE
Negative values at r1534 or positive values at r1535 represent a minimum torque for the other torque directions and can cause the drives to rotate if no counteractive load torque is generated (see function diagram 5630 in the SINAMICS S120/S150 List Manual).

Example: Torque limits with or without offset

The signals selected via p1522 and p1523 include the torque limits parameterized via p1520 and p1521.

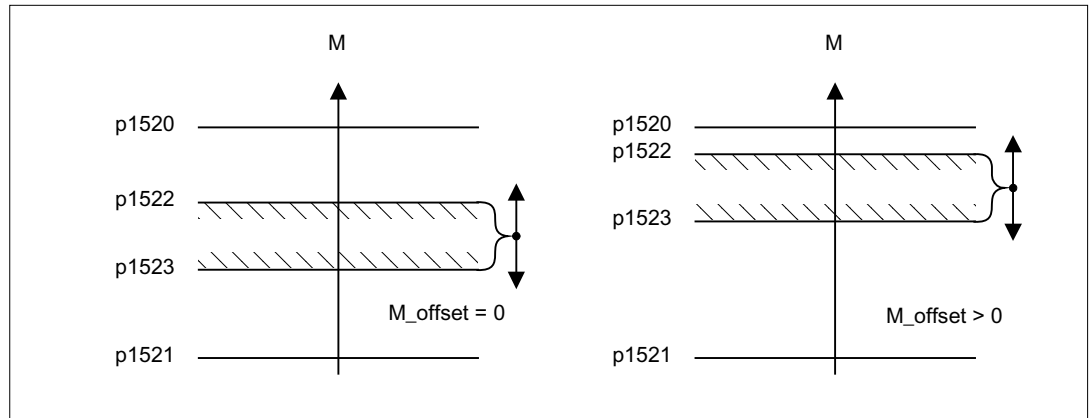


Figure 3-9 Example: Torque limits with or without offset

Activating the torque limits

1. Use parameters to select the torque limitation source.
2. Use a control word to specify the torque limitation mode.
3. The following can also be carried out if necessary:
 - Select and activate additional limitations.
 - Set the torque offset.

Examples

- Travel to fixed stop
- Tension control for continuous goods conveyors and winders

Function diagrams (see SINAMICS S120/S150 List Manual)

- 5610 Torque limiting/reduction/interpolator
- 5620 Motor/generator torque limit
- 5630 Upper/lower torque limit
- 5640 Mode changeover, power/current limiting

Parameterization

The "torque limit" parameter screen is selected via the following icon in the toolbar of the STARTER commissioning tool:



Figure 3-10 STARTER icon for "torque limit"

Overview of important parameters (see SINAMICS S120/S150 List Manual)

- p0640[0...n] Current limit
- p1400[0...n] Speed control configuration
- r1508 CO: Torque setpoint before supplementary torque
- r1509 CO: Torque setpoint before torque limiting
- r1515 Supplementary torque total
- p1520[0...n] CO: Torque limit, upper/motoring
- p1521[0...n] CO: Torque limit, lower/regenerative
- p1522[C] CI: Torque limit, upper/motoring
- p1523[C] CI: Torque limit, lower/regenerative
- r1526 Torque limit, upper/motoring without offset
- r1527 Torque limit, lower/regenerative without offset
- p1528[0...n] CI: Torque limit, upper/motoring, scaling
- p1529[0...n] CI: Torque limit, lower/regenerative scaling
- p1530[0...n] Motor mode power limit
- p1531[0...n] Regenerative mode power limit
- p1532[0...n] Torque limit offset
- r1533 Maximum torque-generating current of all current limits
- r1534 CO: Torque limit, upper total
- r1535 CO: Torque limit, lower total
- r1536 Maximum torque-generating current limit
- r1537 Minimum torque-generating current limit
- r1538 CO: Upper effective torque limit
- r1539 CO: Lower effective torque limit

3.6 Current controller

Properties

- PI controller for current control
- Four identical current setpoint filters
- Current and torque limitation
- Current controller adaptation
- Flux control

Closed-loop current control

No settings are required for operating the current controller. Optimization measures can be taken in certain circumstances.

Current and torque limitation

The current and torque limitations are initialized when the system is commissioned for the first time and should be adjusted according to the application.

Current controller adaptation

The P gain of the current controller can be reduced (depending on the current) by means of current controller adaptation. Current controller adaptation can be deactivated with the setting $p1402.2 = 0$.

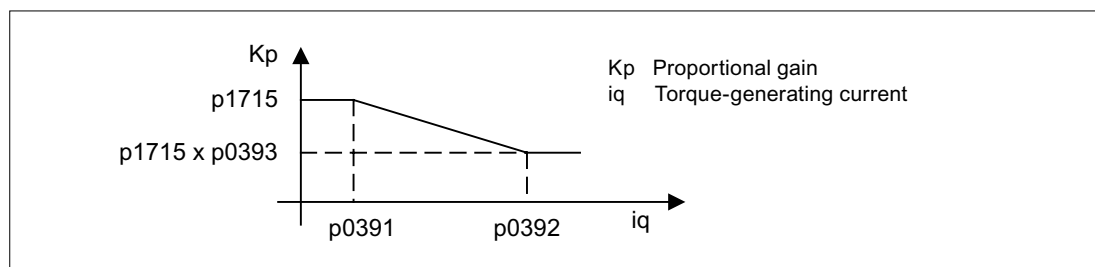
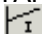


Figure 3-11 Current controller adaptation

Flux controller (for induction motor)

The parameters for the flux controller are initialized when the system is commissioned for the first time and do not usually need to be adjusted.

Commissioning with STARTER

In the STARTER commissioning tool, the "Current controller" parameter screen is selected with the  icon in the toolbar:

Function diagrams (see SINAMICS S120/S150 List Manual)

- 5710 Current setpoint filters
- 5714 Iq and Id controller
- 5722 Specified field current, flux reduction, flux controller

Overview of important parameters (see SINAMICS S120/S150 List Manual)

Closed-loop current control

- p1701[0...n] Current controller reference model dead time
- p1715[0...n] Current controller P gain
- p1717[0...n] Current controller integral time

Current and torque limitation

- p0323[0...n] Maximum motor current
- p0326[0...n] Stall torque correction factor
- p0640[0...n] Current limit
- p1520[0...n] CO: Torque limit, upper/motoring
- p1521[0...n] CO: Torque limit, lower/regenerative
- p1522[0...n] CI: Torque limit, upper/motoring
- p1523[0...n] CI: Torque limit, lower/regenerative
- p1524[0...n] CO: Torque limit, upper/motoring, scaling
- p1525[0...n] CO: Torque limit, lower/regenerative scaling
- p1528[0...n] CI: Torque limit, upper/motoring, scaling
- p1529[0...n] CI: Lower or regenerative torque limit scaling
- p1530[0...n] Motor mode power limit
- p1531[0...n] Regenerative mode power limit
- p1532[0...n] Torque offset torque limit

Display parameters

- r1526 Torque limit, upper/motoring without offset
- r1527 Torque limit, lower/regenerative without offset
- r1533 Maximum torque-generating current of all current limits
- r1534 CO: Torque limit, upper total
- r1535 CO: Torque limit, lower total
- r1536 Maximum torque-generating current limit
- r1537 Minimum torque-generating current limit

- r1538 CO: Upper effective torque limit
- r1539 CO: Upper effective torque limit

Current controller adaptation

- p0391[0...n] Current controller adaptation starting point KP
- p0392[0...n] Current controller adaptation starting point KP adapted
- p0393[0...n] Current controller adaptation upper P gain
- p1590[0...n] Flux controller P gain
- p1592[0...n] Flux controller integral time

3.7 Current setpoint filters

Description

The four current setpoint filters connected in series can be parameterized as follows:

- Low-pass 2nd order (PT2: -40 dB/decade) (type 1)
- General filter 2nd order (type 2)
 Bandstop and lowpass with reduction are converted to the parameters of the general filter 2nd order via STARTER.
 - Bandstop
 - Low-pass with reduction by a constant value

The phase frequency curve is shown alongside the amplitude log frequency curve. A phase shift results in a control system delay and should be kept to a minimum.

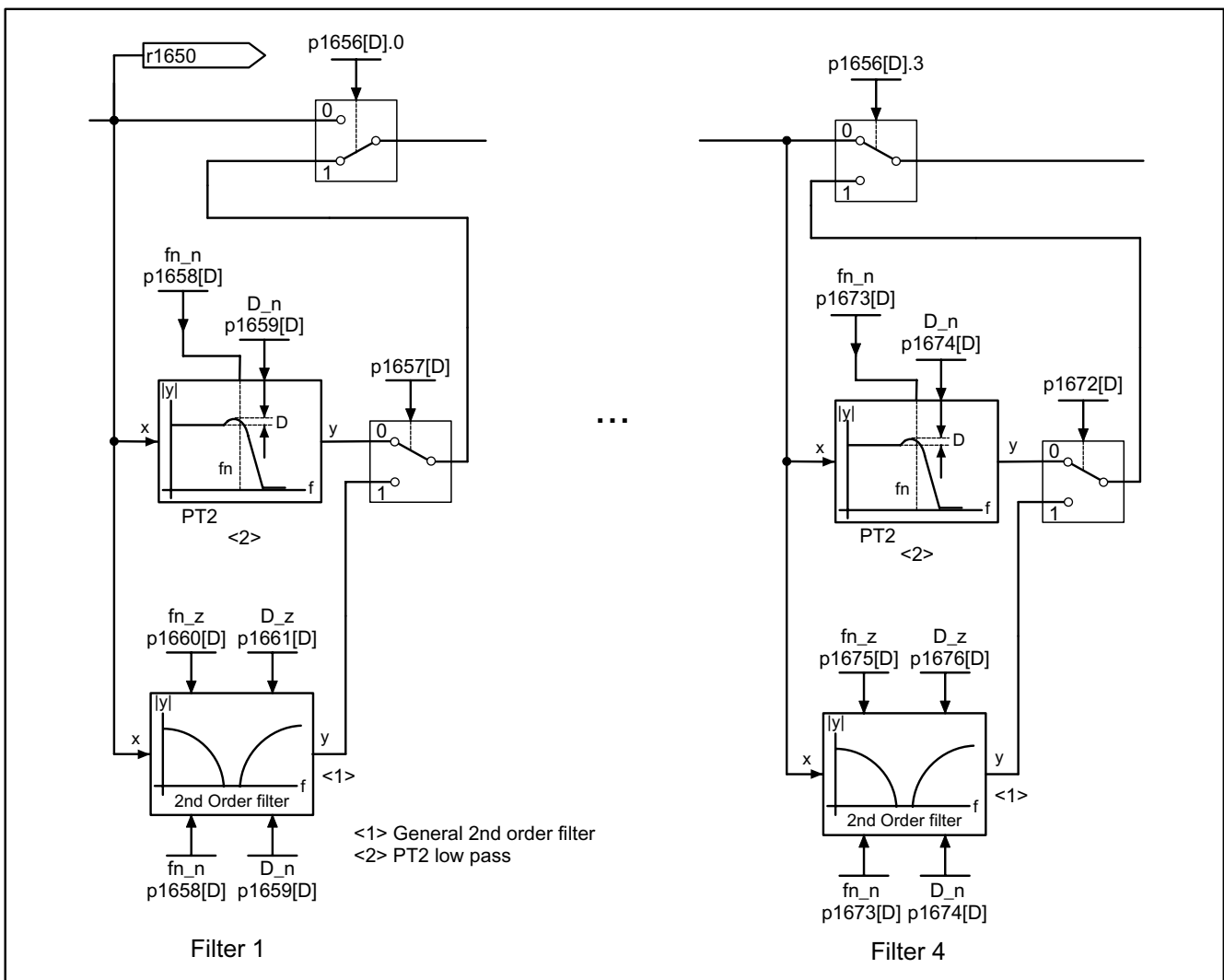


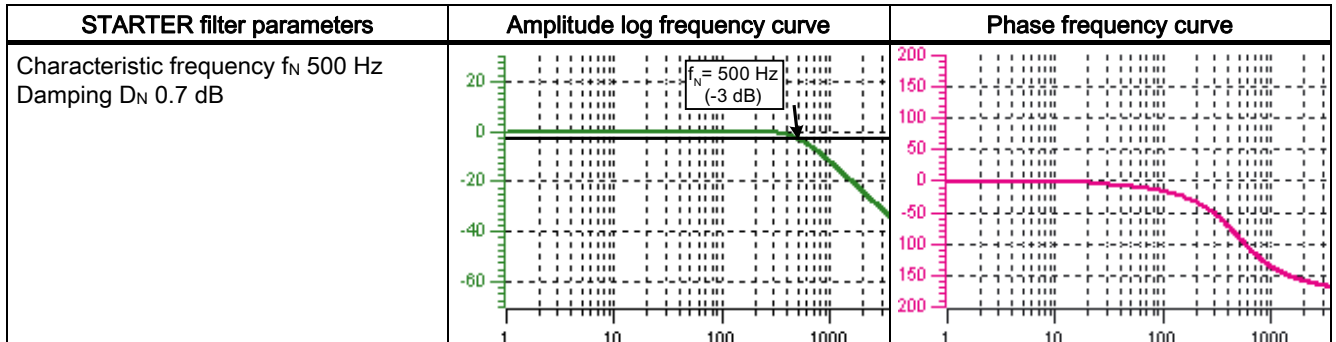
Figure 3-12 Current setpoint filter

Transfer function:

$$H(s) = \frac{1}{\left(\frac{s}{2\pi f_N}\right)^2 + \frac{2D_N}{2\pi f_N} \cdot s + 1}$$

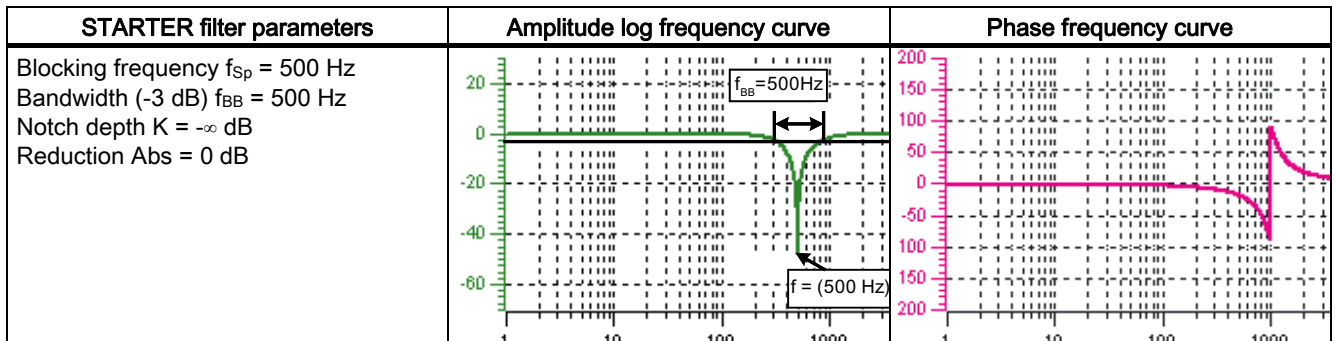
Denominator natural frequency f_N
Denominator damping D_N

Table 3- 3 Example of a PT2 filter



Band-stop with infinite notch depth

Table 3- 4 Example of band-stop with infinite notch depth



Simplified conversion to parameters for general order filters:

Reduction or increase after the blocking frequency (Abs)

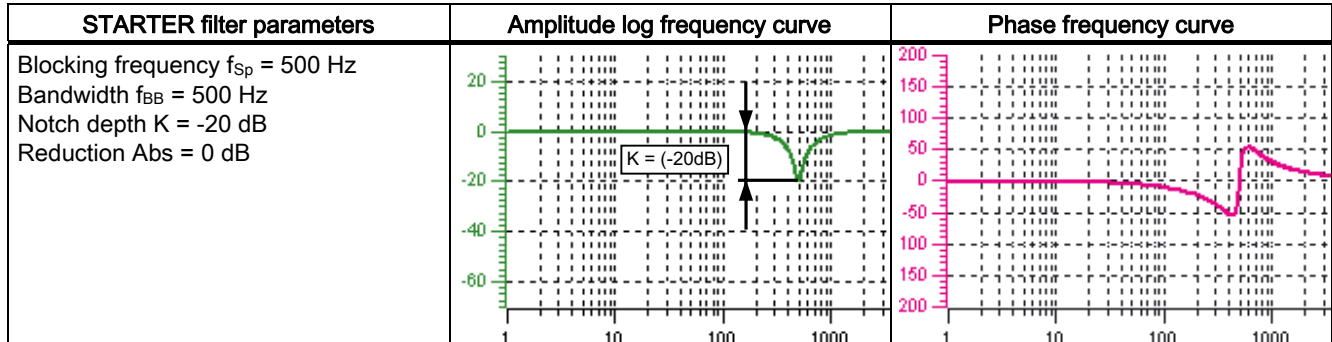
Infinite notch depth at the blocking frequency

- Numerator natural frequency $f_z = f_{Sp}$
- Numerator damping $D_z = 0$
- Denominator natural frequency $f_N = f_{Sp}$

- Denominator damping $D_N = \frac{f_{BB}}{2 \cdot f_{Sp}}$

Band-stop with defined notch depth

Table 3- 5 Example of band-stop with defined notch depth



Simplified conversion to parameters for general order filters:

No reduction or increase after the blocking frequency

Defined notch at the blocking frequency K [dB] (e.g. -20 dB)

- Numerator natural frequency $f_z = f_{Sp}$

$$D_z = \frac{f_{BB}}{2 \cdot f_{Sp} \cdot 10^{\frac{K}{20}}}$$

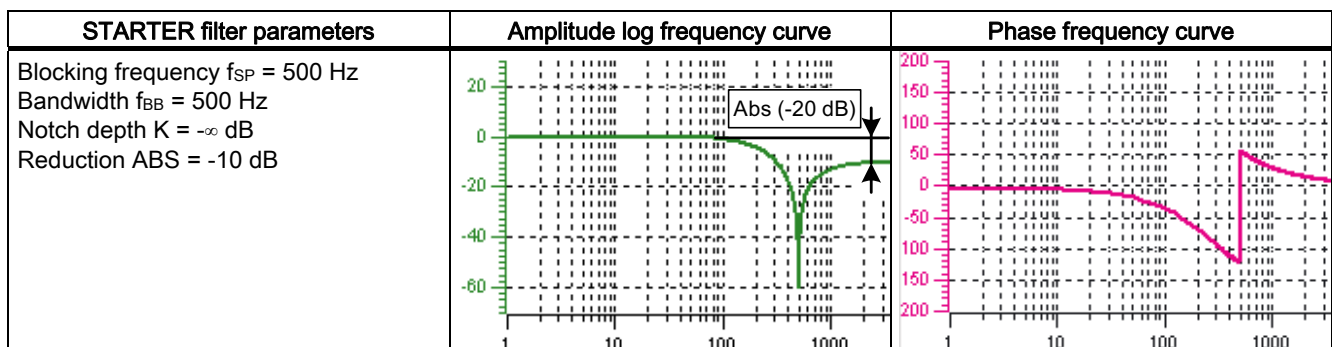
- Numerator damping
- Denominator natural frequency $f_N = f_{Sp}$

$$D_N = \frac{f_{BB}}{2 \cdot f_{Sp}}$$

- Denominator damping

Band-stop with defined reduction

Table 3- 6 Example of band-stop



General conversion to parameters for general order filters:

- Numerator natural frequency $f_z = \frac{\omega_z}{2\pi} = f_{Sp}$

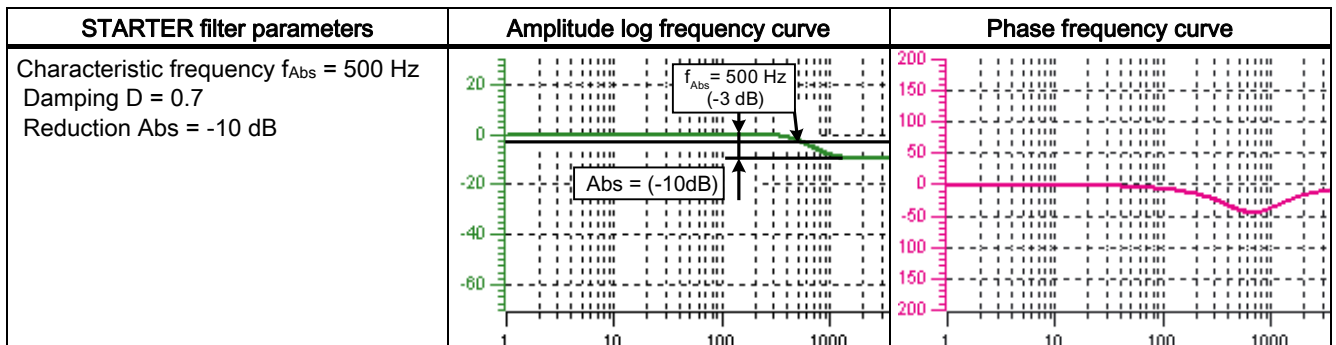
$$D_z = 10^{\frac{K}{20}} \cdot \frac{1}{2} \cdot \sqrt{\left(1 - \frac{1}{10^{\frac{Abs}{20}}}\right)^2 + \frac{f_{BB}^2}{f_{Sp}^2 \cdot 10^{\frac{Abs}{10}}}}$$

- Numerator damping

- Denominator natural frequency $f_N = \frac{\omega_N}{2\pi} = f_{Sp} \cdot 10^{\frac{Abs}{40}}$
- Denominator damping $D_N = \frac{f_{BB}}{2 \cdot f_{Sp} \cdot 10^{\frac{Abs}{40}}}$

General low-pass with reduction

Table 3-7 Example of general low-pass with reduction



Conversion to parameters for general order filters:

- Numerator natural frequency $f_Z = f_{Abs}$ (start of reduction)

$$f_Z = \frac{f_{Abs}}{10^{\frac{Abs}{40}}}$$

- Numerator damping
- Denominator natural frequency f_N
- Denominator damping D_N

Transfer function general 2nd order filter

$$H(s) = \frac{\left(\frac{s}{2\pi f_Z}\right)^2 + \frac{2D_Z}{2\pi f_Z} \cdot s + 1}{\left(\frac{s}{2\pi f_N}\right)^2 + \frac{2D_N}{2\pi f_N} \cdot s + 1}$$

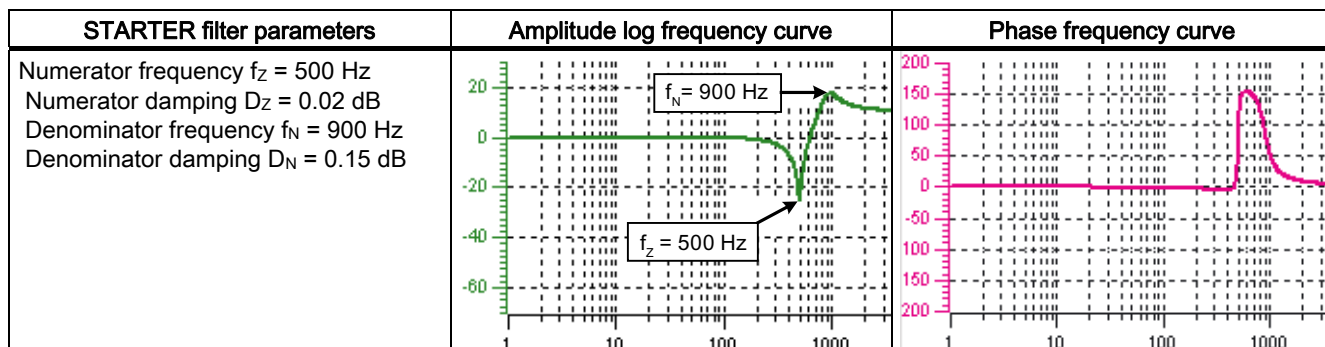
Numerator natural frequency f_Z

Numerator damping D_Z

Denominator natural frequency f_N

Denominator damping D_N

Table 3- 8 Example of general 2nd order filter



Parameterization

The "current setpoint filter" parameter screen is selected via the following icon in the toolbar of the STARTER commissioning tool:



Figure 3-13 STARTER icon for "current setpoint filter"

Function diagrams (see SINAMICS S120/S150 List Manual)

- 5710 Current setpoint filters

Overview of important parameters (see SINAMICS S120/S150 List Manual)

- p1656[0...n] Current setpoint filter activation
- p1657[0...n] Current setpoint filter 1 type
- p1658[0...n] Current setpoint filter 1 denominator natural frequency
- p1659[0...n] Current setpoint filter 1 denominator damping
- p1660[0...n] Current setpoint filter 1 numerator natural frequency
- p1661[0...n] Current setpoint filter 1 numerator damping
- ...
- p1676[0...n] Current setpoint filter 4 numerator damping
- p1699 Filter data transfer

3.8 Note about the electronic motor model

A model change takes place within the speed range $p1752 \cdot (100\% - p1756)$ and $p1752$. With induction motors with encoder, the torque image is more accurate in higher speed ranges; the effect of the rotor resistance and the saturation of the main field inductance are corrected. With synchronous motors with encoder, the commutation angle is monitored. If the kT estimator has been activated, the torque image for synchronous motors is more accurate too.

3.9 V/f control for diagnostics

Description

With V/f control, the motor is operated with an open control loop and does not require speed control or actual current sensing, for example. Operation is possible with a small amount of motor data.

V/f control can be used to check the following:

- Motor Module
- Power cable between Motor Module <--> motor
- Motor
- DRIVE-CLiQ cable between Motor Module <--> motor
- Encoder and actual encoder value

The following motors can be operated with V/f control:

- Induction motors
- Synchronous motors

CAUTION
V/f control must only be used as a diagnostic function (e.g. to check that the motor encoder is functioning correctly).

Note

In V/f mode, the calculated actual speed value is always displayed in r0063. The speed of the encoder (if installed) is displayed in r0061. If an encoder is not installed, r0061 displays "0".

Note

The operation of synchronous motors with V/f control is allowed only at up to 25 % of the rated motor speed.

Structure of V/f control

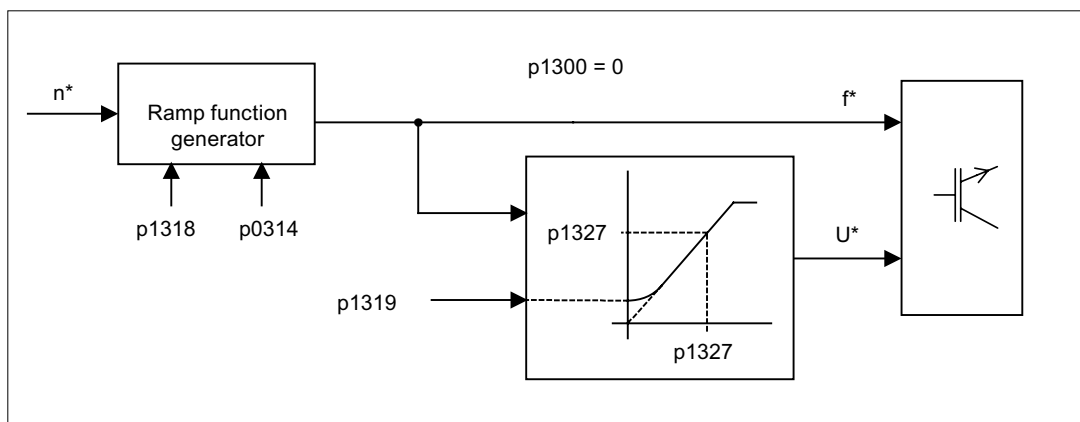


Figure 3-14 Structure of V/f control

Prerequisites for V/f control

1. First commissioning has been carried out:
The parameters for V/f control have been initialized with appropriate values.
2. First commissioning has not been carried out:
The following relevant motor data must be checked and corrected:
 - r0313 Motor pole pair number, actual (or calculated)
 - p0314 motor pole pair number
 - p1318 V/f control ramp-up/ramp-down time
 - p1319 V/f control voltage at zero frequency
 - p1326 V/f control programmable characteristic frequency 4
 - p1327 V/f control programmable characteristic voltage 4

V/f control can now be commissioned.

Note

With synchronous motors, V/f mode is normally only stable at low speeds. Higher speeds can induce vibrations.

Commissioning V/f control

1. Verify the preconditions for V/f control mode.
2. Set p0311 → rated motor speed
3. Set p1317 = 1 → activates the function
4. Activate the enable signals for operation
5. Specify the speed setpoint → evaluate the diagnostic function

V/f characteristic

The speed setpoint is converted to the frequency specification taking into account the number of pole pairs. The synchronous frequency associated with the speed setpoint is output (no slip compensation).

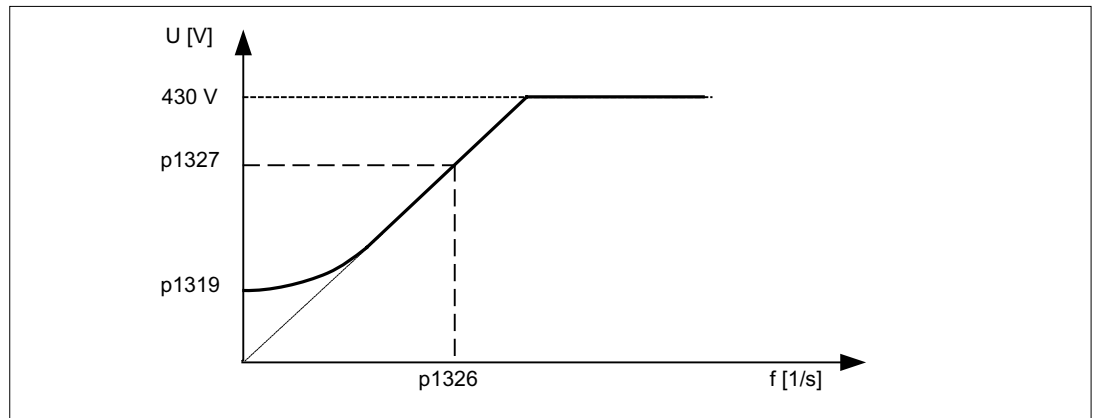


Figure 3-15 V/f characteristic

Function diagrams (see SINAMICS S120/S150 List Manual)

- 5300 V/f control for diagnostics

Overview of important parameters (see SINAMICS S120/S150 List Manual)

- p0304[0...n] Rated motor voltage
- p0310[0...n] Rated motor frequency
- p0311[0...n] Rated motor speed
- r0313[0...n] Motor pole pair number, actual (or calculated)
- p0314[0...n] Motor pole pair number
- p0317[0...n] Motor voltage constant
- p0322[0...n] Maximum motor speed
- p0323[0...n] Maximum motor current
- p0640[0...n] Current limit
- p1082[0...n] Maximum speed
- p1317[0...n] V/f control diagnostics activation
- p1318[0...n] V/f control ramp-up/ramp-down time
- p1319[0...n] V/f control voltage at zero frequency
- p1326[0...n] V/f control programmable characteristic frequency 4
- p1327[0...n] V/f control programmable characteristic voltage 4

3.10 Optimizing the current and speed controller

General information



CAUTION

Controller optimization may only be performed by skilled personnel with a knowledge of control engineering.

The following tools are available for optimizing the controllers:

- "Function generator" in STARTER
- "Trace" in STARTER
- "Measuring function" in STARTER
- Measuring sockets on the Control Unit

Optimizing the current controller

The current controller is initialized when the system is commissioned for the first time and is adequately optimized for most applications.

Optimizing the speed controller

The speed controller is set in accordance with the motor moment of inertia when the motor is configured for the first time. The calculated proportional gain is set to approximately 30% of the maximum possible gain in order to minimize vibrations when the controller is mounted on the mechanical system of the machine for the first time.


The integral time of the speed controller is always preset to 10 ms.

The following optimization measures are necessary in order to achieve the full dynamic response:

- Increase the proportional gain Kp_n (p1460)
- Change the integral action time Tn_n (p1462)

Automatic controller setting of the speed controller (frequency response analysis) in STARTER

- The automatic speed controller setting has the following features:
 - Section identification using FFT analysis
 - Automatic setting of filters in the current setpoint arm, e.g. for damping resonances
 - Automatic setting of the controller (amplification factor Kp , integral time Tn)
- The automatic controller settings can be verified with the measuring functions.

The "Automatic controller setting" parameter screen is selected with the  icon in the toolbar of the STARTER commissioning tool:

Example of measuring the speed controller frequency response

By measuring the speed controller frequency response and the control system, critical resonance frequencies can, if necessary, be determined at the stability limit of the speed control loop and dampened using one or more current setpoint filters. This normally enables the proportional gain to be increased (e.g. $Kp_n = 3 \times$ default value).

After the Kp_n value has been set, the ideal integral action time Tn_n (e.g. reduced from 10 ms to 5 ms) can be determined.

Example of speed setpoint step change

A rectangular step change can be applied to the speed setpoint via the speed setpoint step change measuring function. The measuring function has preselected the measurement for the speed setpoint and the torque-generating current.

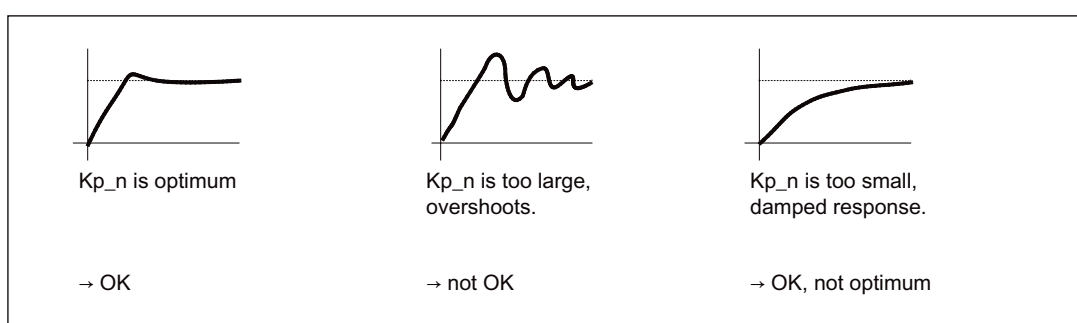


Figure 3-16 Setting the proportional gain Kp

Parameter overview

See "Speed controller".

3.11 Sensorless operation (without an encoder)

NOTICE

The operation of synchronous motors without an encoder must be verified in a test application. Stable operation in this mode cannot be guaranteed for every application. Therefore, the user will be solely responsible for the use of this operating mode.

Description

This allows operation without an encoder and mixed operation (with/without encoder). Encoderless operation with the motor model allows a higher dynamic response and greater stability than a standard drive with V/f control. Compared with drives with an encoder, however, speed accuracy is lower and the dynamic response and smooth running features deteriorate.

Since the dynamic response in operation without an encoder is lower than in operation with an encoder, accelerating torque pre-control is implemented to improve the control dynamic performance. It controls, knowing the drive torque, and taking into account the existing torque and current limits as well as the load moment of inertia (motor moment of inertia: $p0341 \cdot p0342 + \text{load torque: } p1498$) the required torque for a demanded speed dynamic performance optimized from a time perspective.

Note

If the motor is operated with and without an encoder (e.g. $p0491 \neq 0$ or $p1404 < p1082$), the maximum current during operation without an encoder can be reduced via $p0642$ (reference value is $p0640$) in order to minimize interfering, saturation-related motor data changes during operation without an encoder.

A torque smoothing time can be parameterized via $p1517$ for the torque pre-control. The speed controller needs to be optimized for operation without an encoder due to the lower dynamic response. This can be carried out via $p1470$ (P gain) and $p1472$ (integral time).

In the low-speed range, the actual speed value, the orientation, and the actual flux can no longer be calculated during operation without an encoder due to the accuracy of the measured values and the parameter sensitivity of the technique. For this reason, an open-loop current/frequency control is selected. The switchover threshold is parameterized via $p1755$ and the hysteresis via $p1756$.

To accept a high load torque even in the open-loop controlled range, the motor current can be increased via $p1612$. To do so, the drive torque (e.g. friction torque) must be known or estimated. An additional reserve of approx. 20% should also be added. In synchronous motors, the torque is converted to the current via the motor torque constant ($p0316$). In the lower speed range, the required current cannot be measured directly on the Motor Module. The default setting is 50% (synchronous motor) or 80% (induction motor) of the rated motor current ($p0305$). When parameterizing the motor current ($p1612$), you must take into account the thermal motor load.

Note

Encoderless operation is not permitted for vertical axes or similar. Encoderless operation is not suitable for a higher-level closed-loop position control either.


The start behavior of synchronous motors from standstill can be improved further by parameterizing the pole position identification ($p1982 = 1$).

Behavior once pulses have been canceled

Once the pulses have been canceled in operation without an encoder, the current actual speed value of the motor can no longer be calculated. Once the pulses are enabled again, the system must search for the actual speed value.

$p1400.11$ can be used to parameterize whether the search is to begin with the speed setpoint ($p1400.11 = 1$) or with speed = 0.0 ($p1400.11 = 0$). Under normal circumstances, $p1400.11 = 0$ because the motor is usually started from standstill. If the motor is rotating faster than the changeover speed $p1755$ when the pulses are enabled, $p1400.11 = 1$ must be set.

If the motor is rotating and the start value for the search is as of the setpoint ($p1400.11 = 1$), the speed setpoint must be in the same direction as the actual speed before the pulses can be enabled. A large discrepancy between the actual and setpoint speed can cause a malfunction.

 WARNING
Once the pulses have been canceled, no information about the motor speed is available. The computed actual speed value is then set to zero, which means that all actual speed value messages and output signals are irrelevant.

Switchover between closed-loop/open-loop operation and operation with/without encoder

Operation without an encoder is activated via parameter setting $p1300 = 20$. If $p1300 = 20$ or $p1404 = 0$, operation without an encoder is active across the entire speed range. If the speed value is less than the changeover speed $p1755$, the motor is operated in accordance with the current/frequency.

During operation with an encoder, a switchover can be made to operation without an encoder when the speed threshold $p1404$ is exceeded. If $p1404 > 0$ and $p1404 < p1755$, a switchover is not made to operation without an encoder until the speed exceeds $p1755$.

Operation without an encoder is displayed in parameter $r1407.1$.

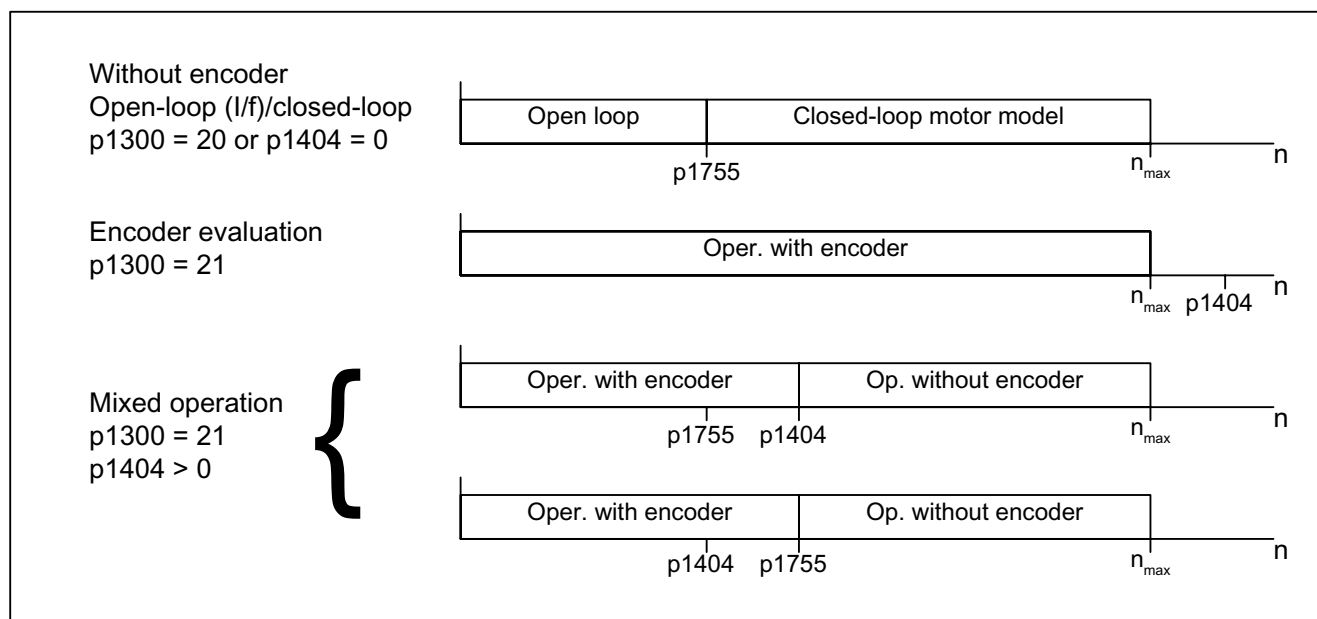


Figure 3-17 Area switchover

Note

In closed-loop control operating mode "Speed controller without encoder", a rotor position encoder is not required. Since a temperature monitor is not usually connected in this case either, this must be parameterized via $p0600 = 0$ (no sensor).

Series reactor

When high-speed special motors are used, or other low leakage induction motors, a series reactor may be required to ensure stable operation of the current controller.

The series reactor can be integrated via p0353.

Commissioning/optimization

1. Estimate the motor current p1612 on the basis of the mechanical conditions ($I = M/kt$).
2. Set Kn (p1470) and Tn (p1472) above I/f operation ($> p1755$). The load moment of inertia should be set to zero here ($p1498 = 0$), since this deactivates part of the torque pre-control.
3. Determine the load moment of inertia in the speed range above I/f operation ($> p1755$) by setting p1498 via a ramp response (e.g. ramp time 100 ms) and assessing the current (r0077) and model speed (r0063).

Function diagrams (see SINAMICS S120/S150 List Manual)

- 5050 Kp_n-/Tn_n adaptation
- 5060 Torque setpoint, control type switchover
- 5210 Speed controller without encoder

Overview of important parameters (see SINAMICS S120/S150 List Manual)

- p0341[0...n] Motor moment of inertia
- p0342[0...n] Ratio between the total moment of inertia and that of the motor
- p0353[0...n] Motor series inductance
- p0600[0...n] Motor temperature sensor for monitoring
- p0640[0...n] Current limit
- p0642[0...n] Encoderless operation current reduction
- p1300[0...n] Open-loop/closed-loop control operating mode
- p1400.11 Speed control configuration; encoderless operation actual velocity start value
- p1404[0...n] Encoderless operation changeover speed
- r1407.1 CO/BO: Status word speed controller; encoderless operation active
- p1470[0...n] Speed controller encoderless operation P gain
- p1472[0...n] Speed controller encoderless operation integral time
- p1498[0...n] Load moment of inertia
- p1517[0...n] Accelerating torque smoothing time constant
- p1612[0...n] Current setpoint, open-loop control, encoderless
- p1755[0...n] Motor model changeover speed encoderless operation
- p1756 Motor model changeover speed hysteresis

3.12 Motor data identification

Description

The motor data identification (MotID) is used as tool to determine the motor data, e.g. of third-party motors and can help to improve the torque accuracy (k_T estimator). The drive system must have been commissioned for the first time as basis for using MotID. To do this, either the electrical motor data (motor data sheet) or the rating plate data must be entered and the calculation of the motor/control parameters (p0340) must have been completed.

Commissioning involves the following steps:

- Enter the motor data or the rating plate data and the encoder data
- Complete calculation of the motor and control data as starting value for the MotID (p0340 = 3, if motor data, p0340 = 1, if rating plate data were entered)
- Carry out a static measurement (p1910)
- For synchronous motors: Carry out an angular commutation calibration (p1990) and if required, fine synchronization (refer to r1992)
- Carry out a rotating measurement (p1960)

Before starting the rotating measurement, the speed controller setting should be checked and optimized (p1460, p1462 and p1470, p1472).

It is preferable if the rotating MotID is carried out with the motor de-coupled from the mechanical system. This therefore means that only the motor moment of inertia is determined. The total moment of inertia with mechanical system can be subsequently identified with p1959 = 4 and p1960 = 1. The stress on the mechanical system can be reduced by parameterizing the ramp-up time (p1958) and/or using a speed limit (p1959.14/p1959.15) or using the current and speed limit. The higher the selected ramp-up time, the less accurate the moment of inertia determined.

Note


Completion of the individual identification runs can be read via parameters r3925 to r3928.

The enable signals OFF1, OFF2, OFF3 and "enable operation" remain effective and can be interrupt the motor identification routine.

If there is an extended setpoint channel (r0108.08 = 1), parameters p1959.14 = 0 and p1959.15 = 0 and a direction of rotation limit (p1110 or p1111) is active there, then this is observed at the instant of the start via p1960. For p1958 = -1, the ramp-up and ramp-down time of the setpoint channel (p1120 and p1121) are also used for the MotID.

Note

If a ramp-up/ramp-down time or one direction of rotation limit is activated, parts of the motor data identification routine cannot be carried out. For other parts of the motor data identification routine, the accuracy of the results is diminished because a ramp-up/ramp-down time is selected. If possible, p1958 should be 0 and no direction of rotation limit selected (p1959.14 = 1 and p1959.15 = 1).

 DANGER
<p>The stationary MotID can result in slight movement of up to 210 degrees electrical.</p> <p>For the rotating motor data identification routine, motor motion is initiated, which can reach the maximum speed (p1082) and the motor torque corresponding to the maximum current (p0640).</p> <p>The rotating measurement should be carried out with a motor running at no load (de-coupled from the mechanical system) in order to prevent damage/destruction to the load or be influenced by the load. If the motor cannot be de-coupled from the mechanical system, then the stress on the mechanical system can be reduced by parameterizing the ramp-up time (p1958) and/or using a speed limit (p1959.14/p1959.15) or using the current and speed limit.</p> <p>If a mechanical distance limit has been set, you are advised not to carry out the rotating measurement.</p> <p>The emergency OFF functions must be fully operational during commissioning.</p> <p>To protect the machines and personnel, the relevant safety regulations must be observed.</p>

Motor data

Motor data input requires the following parameters:

Table 3- 9 Motor data

Induction motor	Permanent-magnet synchronous motor
<ul style="list-style-type: none"> • p0304 rated motor voltage • p0305 rated motor current • p0307 rated motor power • p0308 rated motor power factor • p0310 rated motor frequency • p0311 rated motor speed • p0320 rated motor magnetizing current • p0322 maximum motor speed • p0350 motor stator resistance, cold • p0353 motor series inductance • p0354 motor rotor resistance, cold • p0356 motor stator leakage inductance • p0358 motor rotor leakage inductance • p0360 motor magnetizing inductance • p0400ff encoder data 	<ul style="list-style-type: none"> • p0305 rated motor current • p0311 rated motor speed • p0314 motor pole pair number • p0316 motor torque constant • p0322 maximum motor speed • p0323 maximum motor current • p0341 motor moment of inertia • p0350 motor stator resistance, cold • p0353 motor series inductance • p0356 motor stator leakage inductance • p0400ff encoder data

Rating plate data

Input of the rating plate data requires the following parameters:

Table 3- 10 Rating plate data

Induction motor	Permanent-magnet synchronous motor
<ul style="list-style-type: none"> • p0304 rated voltage • p0305 rated current • p0307 rated power • p0308 rated power factor (cos ϕ) • p0310 rated frequency • p0311 rated speed • p0322 maximum motor speed • p0353 motor series inductance • p0400ff encoder data 	<ul style="list-style-type: none"> • p0304 rated voltage • p0305 rated current • p0307 rated power (alternative p0316) • p0311 rated speed • p0314 motor pole pair number or p0315 motor pole pair width • p0322 maximum motor speed • p0323 maximum motor current • p0353 motor series inductance • p0400ff encoder data

Since the rating plate data contains the initialization values for identification, you must ensure that it is entered correctly and consistently to enable the above data to be determined.

Parameters to control the MotID

The following parameters influence the MotID:

Table 3- 11 Parameters for control

Static measurement (motor data identification)	Rotating measurement
<ul style="list-style-type: none"> • p0640 current limit • p1215 Motor holding brake configuration • p1909 Motor data identification control word • p1910 Motor data identification, stationary • p1959.14/.15 Positive/negative direction permitted* 	<ul style="list-style-type: none"> • p0640 current limit • p1082 Maximum speed • p1958 motor data identification ramp-up/ramp-down time • p1959 Rotating measurement configuration • p1960 Rotating measurement selection
<p>Note: If a brake is being used and is operational (p1215 = 1, 3), then the stationary measurement with closed brake is carried out. If possible (e.g. no hanging/suspended axis), we recommend that the brake is opened before the MotID (p1215 = 2). This also means that the encoder size can be adjusted and the angular commutation calibrated. *The p1959 setting has the following effects on the rotational direction parameter p1821: Positive direction permitted, with setting p1821=0 means: Clockwise direction of rotation Negative direction permitted, with setting p1821=1 means: Counter-clockwise direction of rotation</p>	

3.12.1 Motor data identification - induction motor

Induction motor

The data are identified in the gamma equivalent circuit diagram and displayed in r19xx. The motor parameters p0350, p0354, p0356, p0358 and p0360 taken from the MotID refer to the T equivalent circuit diagram of the induction machine and cannot be directly compared. This is the reason that an r parameter is listed in the table, which displays the parameterized motor parameters in the gamma equivalent circuit diagram.

Table 3- 12 Data determined using p1910 for induction motors (stationary measurement)

Determined data (gamma)	Data that are accepted (p1910 = 1)
r1912 identified stator resistance	p0350 motor stator resistance, cold + p0352 cable resistance
r1913 rotor time constant identified	r0384 motor rotor time constant/damping time constant, d axis
r1915 stator inductance identified	-
r1925 threshold voltage identified	-
r1927 rotor resistance identified	r0374 motor resistance cold (gamma) p0354
r1932 d inductance	r0377 motor leakage inductance, total (gamma) p0353 motor series inductance p0356 motor leakage inductance p0358 motor leakage inductance p1715 current controller P gain p1717 current controller integral action time
r1934 q inductance identified	-
r1936 magnetizing inductance identified	r0382 motor main inductance, transformed (gamma) p0360 motor main inductance p1590 flux controller P gain p1592 flux controller integral action time
r1973 encoder pulse number identified	-
Note: The encoder pulse number is only determined with a very high degree of inaccuracy (p0407/p0408) and is only suitable for making rough checks. The sign is negative if inversion is required (p0410.0).	
-	p0410 encoder inversion actual value
Note: If the encoder inversion is changed using MotID, fault F07993 is output, which refers to a possible change in the direction of rotation and can only be acknowledged by p1910 = -2.	

Table 3- 13 Data determined using p1960 for induction motors (rotating measurement)

Determined data (gamma)	Data that are accepted (p1960 = 1)
r1934 q inductance identified	-
r1935 q inductance identification current	
Note: The q inductance characteristic can be used as basis to manually determine the data for the current controller adaptation (p0391, p0392 and p0393).	
r1936 magnetizing inductance identified	r0382 motor main inductance, transformed (gamma) p0360 motor main inductance p1590 flux controller P gain p1592 flux controller integral action time
r1948 magnetizing current identified	p0320 rated motor magnetizing current
r1962 saturation characteristic magnetizing current identified	-
r1963 saturation characteristic stator inductance identified	-
Note: The magnetic design of the motor can be identified from the saturation characteristic.	
r1969 moment of inertia identified	p0341 motor moment of inertia * p0342 ratio between the total moment of inertia and that of the motor + p1498 load moment of inertia
r1973 encoder pulse number identified	-
Note: The encoder pulse number is only determined with a very high degree of inaccuracy (p0407/p0408) and is only suitable for making rough checks. The sign is negative if inversion is required (p0410.0).	

3.12.2 Motor data identification - synchronous motor

Synchronous motor

Table 3- 14 Data determined using p1910 for synchronous motors (stationary measurement)

Determined data	Data that are accepted (p1910 = 1)
r1912 stator resistance identified	p0350 motor stator resistance, cold + p0352 cable resistance
r1925 threshold voltage identified	-
r1932 d inductance	p0356 motor stator leakage inductance + p0353 motor series inductance p1715 current controller P gain p1717 current controller integral-action time
r1934 q inductance identified	-
r1950 Voltage emulation error voltage values	p1952 Voltage emulation error, final value
r1951 Voltage emulation error, current values	p1953 Voltage emulation error, current offset

3.12 Motor data identification

Determined data	Data that are accepted (p1910 = 1)
Note regarding r1950 to p1953: Active when the function module "extended torque control" is activated and activated compensation of the voltage emulation error (p1780.8 = 1).	
r1973 Encoder pulse number identified	-
Note: The encoder pulse number is only determined with a very high degree of inaccuracy (p0407/p0408) and is only suitable for making rough checks. The sign is negative if inversion is required (p0410.0).	
r1984 Pole position identification angular difference	p0431 Angular commutation offset
Note: r1984 indicates the difference of the angular commutation offset before being transferred into p0431.	
-	p0410 Encoder inversion actual value
Note: If the encoder inversion is changed using MotID, fault F07993 is output, which refers to a possible change in the direction of rotation and can only be acknowledged by p1910 = -2.	

Table 3- 15 Data determined using p1960 for synchronous motors (rotating measurement)

Determined data	Data that are accepted (p1960 = 1)
r1934 q inductance identified	-
r1935 q inductance identification current	-
Note: The q inductance characteristic can be used as basis to manually determine the data for the current controller adaptation (p0391, p0392 and p0393).	
r1937 torque constant identified	p0316 motor torque constant
r1938 voltage constant identified	p0317 motor voltage constant
r1939 reluctance torque constant identified	p0328 motor reluctance torque constant
r1947 optimum load angle identified	p0327 optimum motor load angle
r1969 moment of inertia identified	p0341 motor moment of inertia * p0342 ratio between the total moment of inertia and that of the motor + p1498 load moment of inertia
r1973 Encoder pulse number identified	-
Note: The encoder pulse number is only determined with a very high degree of inaccuracy (p0407/p0408) and is only suitable for making rough checks. The sign is negative if inversion is required (p0410.0).	
r1984 Pole position identification angular difference	p0431 Angular commutation offset
Note: r1984 indicates the difference of the angular commutation offset before being transferred into p0431.	

For linear motors (p0300 = 4xx), p1959 is pre-set so that only the q inductance, the angular commutation offset and the high inertia mass are measured (p1959.05 = 1 and p1959.10 = 1), as generally the travel limits do not permit longer travel distances in one direction.

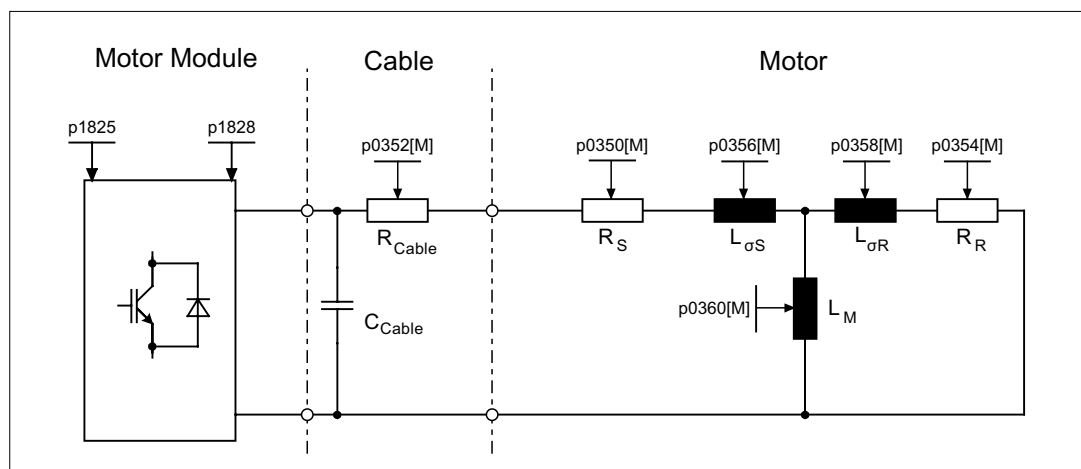


Figure 3-18 Equivalent circuit diagram for induction motor and cable

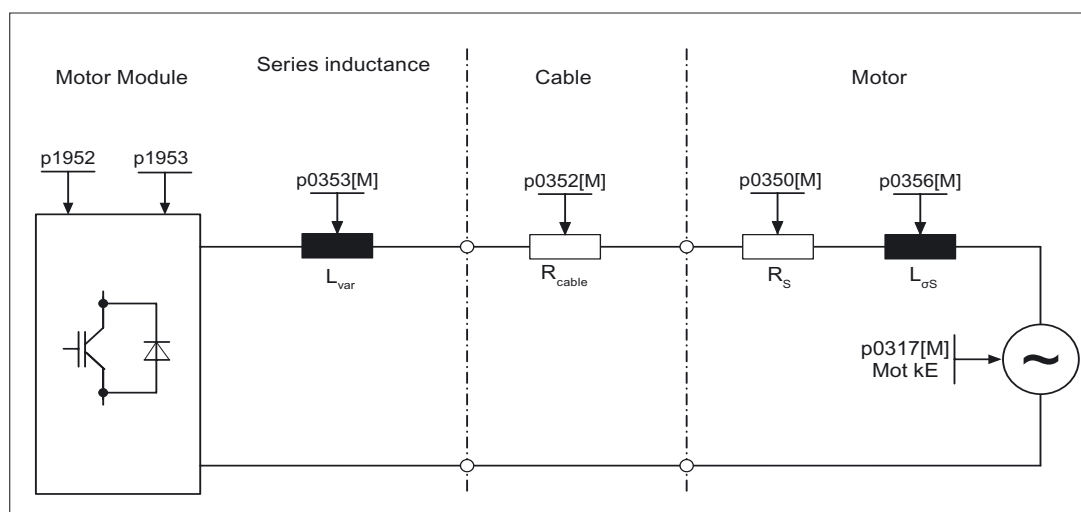


Figure 3-19 Equivalent circuit diagram for synchronous motor and cable

Overview of important parameters (see SINAMICS S120/S150 List Manual)

- r0047 Status identification

Standstill measurement

- p1909[0...n] Motor data identification control word
- p1910 Motor data identification, stationary

Rotating measurement

- p1958[0...n] Rotating measurement ramp-up/ramp-down time
- p1959[0...n] Rotating measurement configuration
- p1960 Rotating measurement selection

3.13 Pole position identification

Description

For synchronous motors, the pole position identification determines its electrical pole position, that is required for the field-oriented control. Generally, the electrical pole position is provided from a mechanically adjusted encoder with absolute information. In this case, pole position identification is not required. For the following encoder properties, pole position identification is not required:

- Absolute encoder (e.g. EnDat, DRIVE-CLiQ encoder)
- Encoder with C/D track and pole pair number ≤ 8
- Hall sensor
- Resolver with a multiple integer ratio between the motor pole pair number and the encoder pole pair number
- Incremental encoder with a multiple integer ratio between the motor pole pair number and the encoder pulse number

The pole position identification is used for:

- Determining the pole position (p1982 = 1)
- Determining the angular commutation offset during commissioning (p1990 = 1)
- Plausibility check for encoders with absolute information (p1982 = 2)

 WARNING
--

When the motors are not braked, the motor rotates or moves as a result of the current impressed during the measurement. The magnitude of the motion depends on the magnitude of the current and the moment of inertia of the motor and load.
--

Notes regarding pole position identification

The relevant technique can be selected using parameter P1980. The following techniques are available for a pole position identification routine:

- Saturation-based 1st+ 2nd harmonics (p1980 = 0)
- Saturation-based 1st harmonics (p1980 = 1)
- Saturation-based, two-stage (p1980 = 4)
- Saturation-based (p1980 = 10)

The following supplementary conditions apply to the saturation-based motion technique:

- This technique can be used for both braked and non-braked motors.
- It can only be used for a speed setpoint = 0 or from standstill.
- The specified current magnitudes (p0325, p0329) must be sufficient to provide a significant measuring result.
- For motors without iron, the pole position cannot be identified using the saturation-based technique.

- For 1FN3 motors, no traversing with the 2nd harmonic should take place (p1980 = 0,4).
- With 1FK7 motors, two-stage procedures must not be used (p1980 = 4). The value in p0329, which is set automatically, must not be reduced.

For the motion-based technique, the following supplementary conditions apply:

- The motor must be free to move and it may not be subject to external forces (no hanging/suspended axes)
- It can only be used for a speed setpoint = 0 or from standstill.
- If there is a motor brake, then this must be open (p1215 = 2).
- The specified current magnitude (p1993) must move the motor by a sufficient amount.

WARNING

Before using the pole position identification routine, the control sense of the speed control loop must be corrected (p0410.0).

For linear motors, refer to the Commissioning Manual.

For rotating motors, in encoderless operation with a small positive speed setpoint (e.g. 10 RPM), the speed actual value (r0061) and the speed setpoint (r1438) must have the same sign.

CAUTION

If more than one 1FN3 linear motor is using saturation-based pole position identification for commutation (p1980 ≤ 4 and p1982 = 1), this can reduce accuracy when the commutation angle is determined. If a high level of accuracy is essential, (e.g. when p404.15 = 0 or the commutation angle offset is determined with p1990 = 1), the pole position identification runs should be carried out consecutively. This can be achieved by staggering the time at which the individual drives are enabled.

Pole position determination with zero marks

The pole position identification routine provides coarse synchronization. If zero marks exist, the pole position can be automatically compared with the zero mark position once the zero mark(s) have been passed (fine synchronization). The zero mark position must be either mechanically or electrically (p0431) calibrated. If the encoder system permits this, then we recommend fine synchronization (p0404.15 = 1). This is because it avoids measurement spread and allows the determined pole position to be additionally checked.

Suitable zero marks are:

- One zero mark in the complete traversing range
- Equidistant zero marks whose relevant position to the commutation are identical
- Distance-coded zero marks

Determining a suitable technique for the pole position identification routine

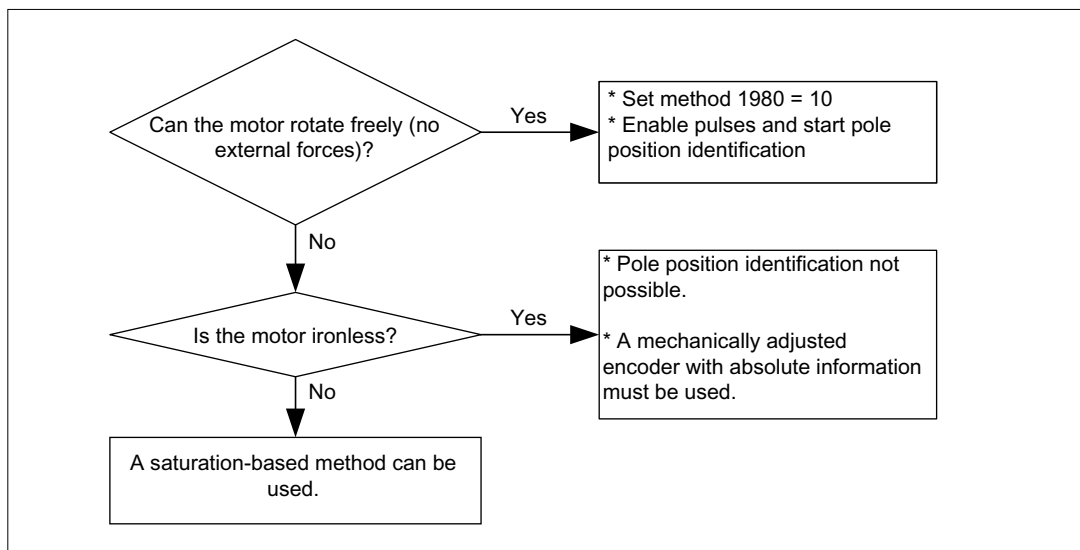


Figure 3-20 Selecting the appropriate technique

Angular commutation offset commissioning support (p1990)

The function for determining the commutation angle offset is activated via p1990=1. The commutation angle offset is entered in p0431. This function can be used in the following cases:

- Single calibration of the pole position for encoders with absolute information (exception: The Hall sensor must always be mechanically adjusted.)
- Calibrating the zero mark position for fine synchronization

Table 3- 16 Mode of operation of p0431

	Incremental without zero mark	Incremental with one zero mark	Incremental with distance-coded zero marks	Absolute encoder
C/D track	p0431 shifts the commutation with respect to the C/D track	p0431 shifts the commutation with respect to the C/D track and zero mark	Currently not available	Not permitted
Hall sensor	p0431 does not influence the Hall sensor. The Hall sensor must be mechanically adjusted.	p0431 does not influence the Hall sensor. p0431 shifts the commutation with respect to the zero mark	p0431 does not influence the Hall sensor. p0431 shifts the commutation with respect to the absolute position (after two zero marks have been passed)	Not permitted
Pole position identification	p0431 no effect	p0431 shifts the commutation with respect to the zero mark	p0431 shifts the commutation with respect to the absolute position (after two zero marks have been passed)	p0431 shifts the commutation with respect to absolute position

Note

When fault F07414 occurs, p1990 is automatically started; if p1980 is not equal to 99 and p0301 does not refer to a catalog motor with an encoder that is adjusted in the factory.

Overview of important parameters (see SINAMICS S120/S150 List Manual)

- p0325[0...n] Motor pole position identification current 1st phase
- p0329[0...n] Motor pole position identification current
- p0404.15 Commutation with zero mark
- p0431[0...n] Commutation angle offset
- p1980[0...n] Pole position identification procedure
- p1981[0...n] Pole position identification maximum movement
- p1982[0...n] Pole position identification selection
- p1983 Pole position identification test
- r1984 Pole position identification angular difference
- r1985 Pole position identification saturation curve
- r1987 Pole position identification trigger curve
- p1990 Determine encoder adjustment commutation angle offset
- r1992 Pole position identification diagnostics
- p1993[0...n] Pole position identification current, motion based
- p1994[0...n] Pole position identification rise time, motion based
- p1995[0...n] Pole position identification gain, motion based
- p1996[0...n] Pole position identification integral time, motion based
- p1997[0...n] Pole position identification smoothing time, motion based

3.14 Vdc control

Description

Vdc control can be activated if overvoltage or undervoltage is present in the DC link line-up. In the line-up, one or more drives can be used to relieve the DC link. This prevents a fault from occurring due to the DC link voltage and ensures that the drives are always ready to use

This function is activated by means of the configuration parameter (p1240). It can be activated if an overvoltage or undervoltage is present. The torque limits of the motors at which the Vdc controller is active can be affected if discrepancies in the DC link voltage are significant enough. The motors may no longer be able to maintain their setpoint speed or the acceleration/braking phases are prolonged.

The Vdc controller is an automatic P controller that influences the torque limits. It only intervenes when the DC link voltage approaches the "upper threshold" (p1244) or "lower threshold" (p1248) and the corresponding controller is activated via the configuration parameter (p1240).

The recommended setting for the P gain is
 $p1250 = 0.5 \cdot \text{DC link capacitance [mF]}$.

Once the DC link has been identified (p3410), the DC link capacitance can be read in parameter p3422 in the Infeed Module.

Note

To ensure that the drives remain active if the Line Module has failed, the response to fault F07841 must be changed to "none" or the operation message from the Infeed Module must be permanently set to "1" with p0864.

The Vdc controller can be used, for example, when a Line Module without energy feedback (Vdc_max controller) is used and as a safety measure in the event of a power failure (Vdc_min and Vdc_max controller). To ensure that critical drives can be operated for as long as possible, parameterizable faults exist that switch off individual drives if there is a problem with the DC link.

Description of Vdc_min control (p1240 = 2, 3)

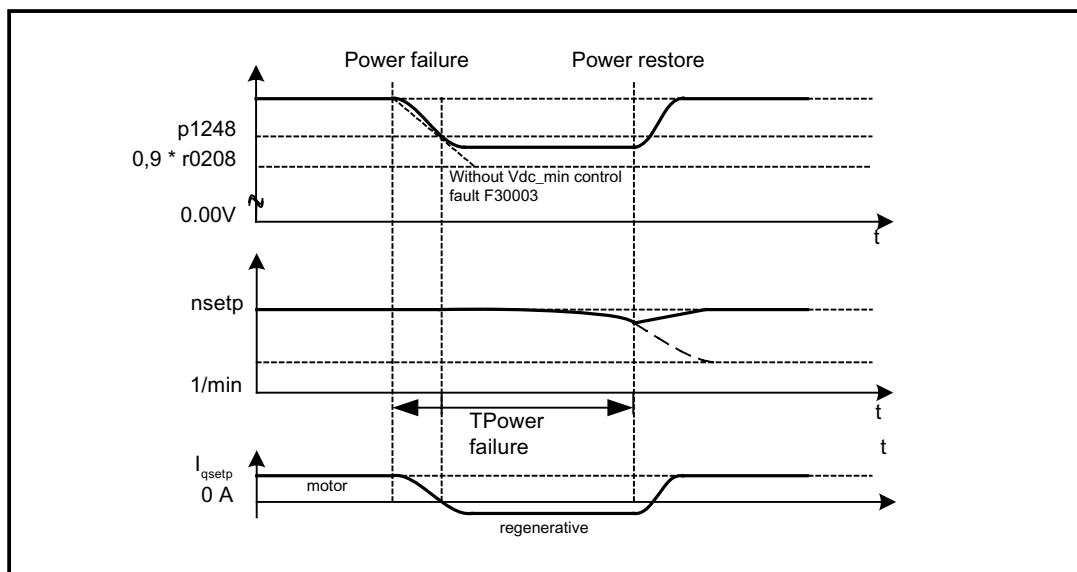


Figure 3-21 Switching Vdc_min control on/off (kinetic buffering)

In the event of a power failure, the Line Module can no longer supply the DC link voltage, particularly if the Motor Modules in the DC link line-up are drawing active power. To maintain the DC link voltage in the event of a power failure (e.g. for a controlled emergency retraction), the Vdc_min controller can be activated for one or more drives. If the voltage threshold set in p1248 is undershot, these drives are decelerated so that their kinetic energy can be used to maintain the DC link voltage. The threshold should be considerably higher than the shutdown threshold of the Motor Modules (recommendation: 50 V below the DC link voltage). When the power supply is re-established, the Vdc controller is automatically deactivated and the drives approach the speed setpoint again. If the power supply cannot be re-established, the DC link voltage collapses if the kinetic energy of the drives is exhausted with an active Vdc_min controller.

Note

You must make sure that the converter is not disconnected from the power supply. It could become disconnected, for example, if the line contactor drops out. The line contactor should have an uninterruptible power supply (UPS), for example.

Description of Vdc_min control without braking (p1240 = 8, 9)

As with p1240 = 2, 3, however, active motor braking can be prevented by reducing the DC link voltage. The effective upper torque limit must not be less than the torque limit offset (p1532). The motor does not switch to regenerative mode and no longer draws any active power from the DC link.

Description of Vdc_max control (p1240 = 1, 3)

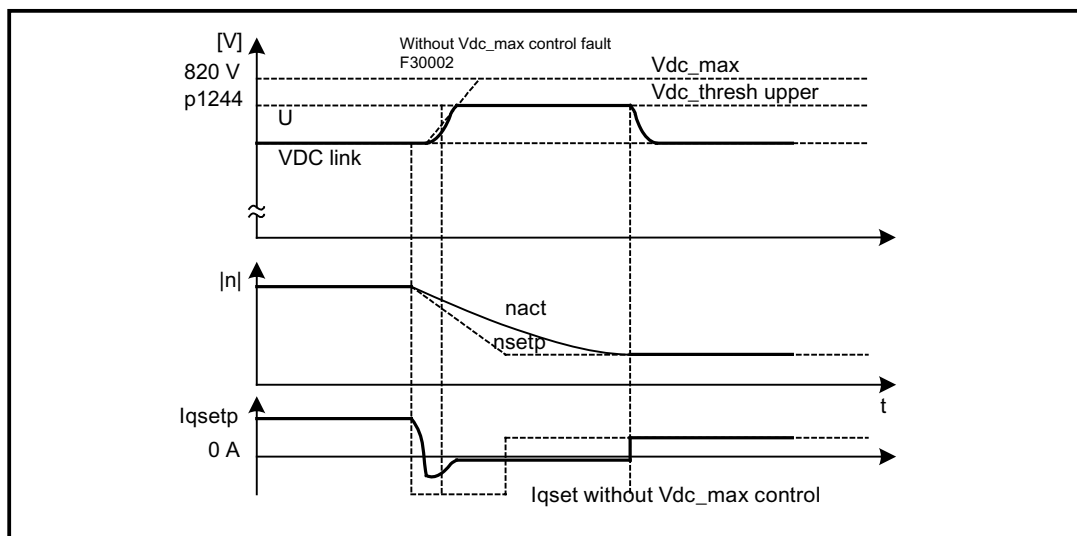


Figure 3-22 Switching-in/switching-out the Vdc_max control

With Infeed Modules without feedback or in the event of a power failure, the DC link voltage can increase until it reaches the shutdown threshold when drives in the DC link line-up are decelerated. To prevent the system from shutting down due to a DC link overvoltage, the Vdc_max controller can be activated for one or more drives. The Vdc_max controller is normally activated for drives that have to decelerate/accelerate high levels of kinetic energy themselves. When the overvoltage threshold in p1244 is reached (recommended setting: 50 V higher than the DC link voltage), the braking torque of the drives with an active Vdc_max controller is reduced by shifting the torque limit. In this way, the drives feed back the same amount of energy that is used as a result of losses or consumers in the DC link, thereby minimizing the braking time. If other drives for which the Vdc_max controller is not active feed energy back, the drives with an active Vdc_max controller can even be accelerated to absorb the braking energy and, in turn, relieve the DC link.

Description of Vdc_max control without acceleration (p1240 = 7, 9)

As with p1240 = 1, 3, if the drive must not be accelerated by means of feedback from other drives in the DC link, acceleration can be prevented by the setting p1240 = 7, 9. The effective lower torque limit must not be greater than the torque limit offset (p1532).

Description of Vdc controller monitoring functions (p1240 = 4, 5, 6)

In the event of a power failure, the Line Module can no longer supply the DC link voltage, particularly if the Motor Modules in the DC link line-up are drawing active power. To ensure that the DC link voltage is not burdened with uncritical drives in the event of a power failure, these drives can be switched off by a fault (F30003) with a parameterizable voltage threshold (p1248). This is carried out by activating the Vdc_min monitoring function (p1240 = 5, 6).

In the event of a power failure, the DC link voltage can increase until it reaches the shutdown threshold when drives are decelerated. To ensure that the DC link voltage is not burdened with uncritical drives in the event of a power failure, these drives can be switched off by a

fault (F30002) with a parameterizable voltage threshold (p1244). This is carried out by activating the Vdc_max monitoring function (p1240 = 4, 6).

Function diagrams (see SINAMICS S120/S150 List Manual)

- 5650 Vdc_max controller and Vdc_min controller

Overview of important parameters (see SINAMICS S120/S150 List Manual)

Adjustable parameters

- p1240[0...n] Vdc controller or Vdc monitoring configuration
- p1244[0...n] DC link voltage threshold, upper
- p1248[0...n] DC link voltage threshold, lower
- p1250[0...n] Vdc controller proportional gain

Display parameters

- r0056.14 Vdc_max controller active
- r0056.15 Vdc_min controller active

3.15 Dynamic Servo Control (DSC)

Description

The function Dynamic Servo Control" (DSC) is a closed-loop control structure which is computed in a fast speed controller clock cycle and is supplied with setpoints by the control in the position controller clock cycle.

This allows higher position controller gain factors to be achieved.

The following prerequisites are necessary to use the "Dynamic Servo Control" function:

- n-set mode
- Isochronous PROFIBUS DP or PROFINET IO with IRT
- The position controller gain factor (KPC) and the position deviation (XERR) must be included in the setpoint telegram of PROFIBUS DP or PROFINET IO with IRT (refer to P0915).
- The position actual value must be transferred to the master in the actual value telegram of PROFIBUS DP or PROFINET IO with IRT via the encoder interface Gx_XIST1.
- When DSC is activated, the speed setpoint N_SOLL_B from the PROFIBUS DP or PROFINET IO with IRT telegram is used as a speed pre-control value.
- The internal quasi position controller uses the actual position value from the motor measuring system (G1_XIST1) or the actual position value from the additional encoder system (telegrams 6, 106, 116, and 118 or free telegrams).

The following PROFIdrive telegrams support DSC:

- Standard telegrams 5 and 6,
- SIEMENS telegrams 105, 106, 116, 118.

Further PZD data telegram types can be used with the telegram extension. It must then be ensured that SERVO supports a maximum of 16 PZD setpoints and 19 PZD actual values.

Note

Synchronization is required on the control side and on the drive side for the operation of DSC.

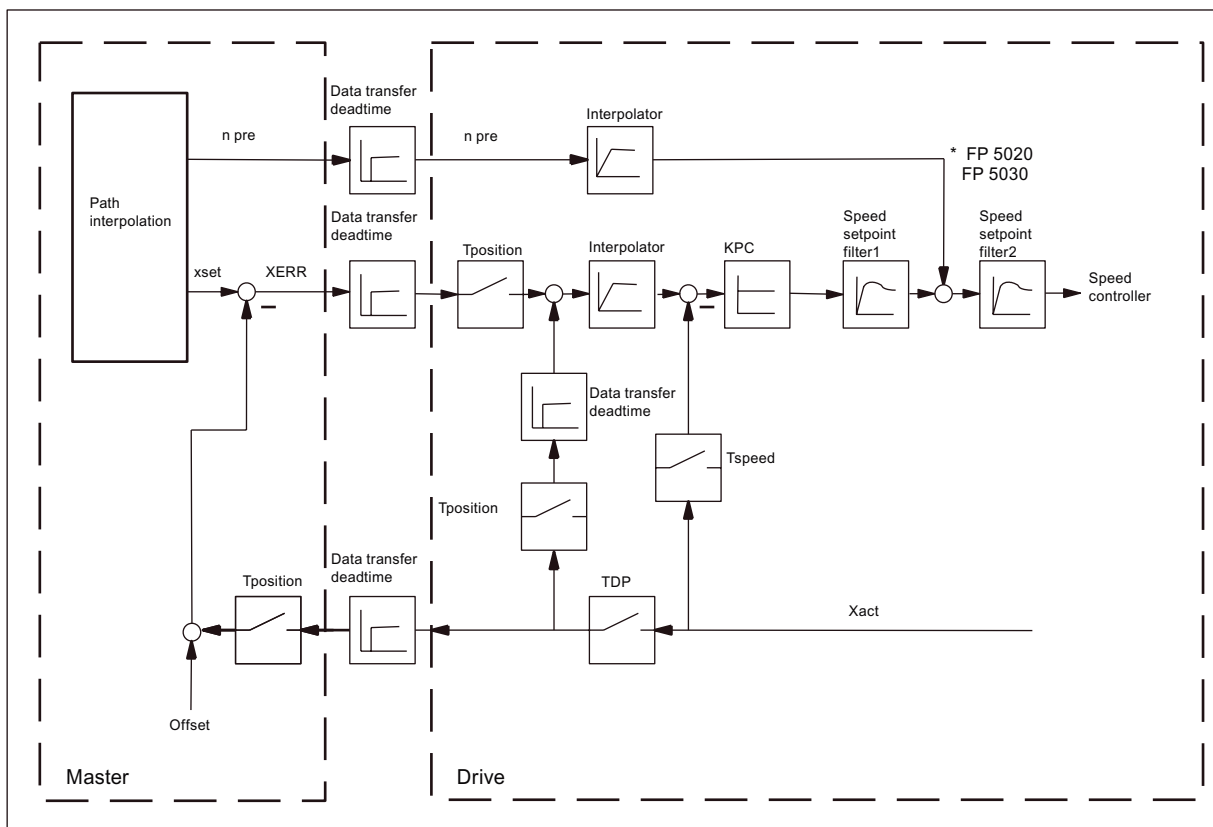


Figure 3-23 Control principle using DSC

Activating

If the prerequisites for DSC are met, the DSC structure is activated through a logical combination of the parameters p1190 "DSC position deviation XERR" and p1191 "DSC position controller gain KPC" through a selected suitable PROFIdrive telegram. If KPC = 0 is issued, only speed control with the speed pre-control value (p1430, typically N_SOLL_B) can be used. Position controlled operation requires a transfer of KPC > 0.

When DSC is activated, it is recommended to use a new setting for the position controller gain KPC in the master.

When DSC is activated, neither channels p1155 and p1160 for the position setpoint values nor the channel for the extended setpoint value are used.

Value p1430 for the speed pre-control is taken into account.

Deactivating

If both $KPC = 0$ ($p1191=0$) and $XERR = 0$ ($p1190 = 0$) are set, the DSC structure is dissolved and the "DSC" function is deactivated. In this case, only the value from p1430 from speed pre-control is taken into account.

Since it is possible to set higher gain factors using DSC, the control loop can become unstable when DSC is disabled. For this reason, before deactivating DSC, the value for KPC in the master must be reduced.

Speed setpoint filter

A speed setpoint filter for smoothing the speed setpoint steps is not required when DSC is active.

When the "DSC" function is used, speed setpoint filter 1 is only recommended for supporting the position controller (e.g. to suppress resonance effects).

External encoder systems (except motor encoder)

If, with DSC active, an external encoder is to be used, this requires the selection of a telegram with additional encoder actual values: Telegrams 06, 106, 116, and 118 or free telegrams.

For optimum control in DSC mode, the same encoders must be used for the controller (Master) and the drive via the parameter p1192 "DSC encoder selection".

Since the motor encoder is no longer used in this case, the adaptation factor for the conversion of the selected encoder system into the motor encoder system is determined using parameter p1193 "DCS encoder adaptation factor". The factor represents the ratio of the pulse difference between the motor encoder and the used encoder for the same reference distance.

The effect of the parameters p1192 and p1193 is illustrated in function diagram 3090.

Diagnostics

Via the parameter $r1407.4 = 1$ it can be indicated whether the speed setpoint of DSC is used.

Preconditions for the indication:

- p1190 and p1191 must be connected to a signal source with a value of > 0 (DSC structure activated).
- OFF1, OFF3 und HALT2 must not be active.
- The motor data identification must not be active.
- Master control must not be active.

The "DSC" function cannot be active under the following conditions:

- Isochronous mode has not been selected (r2054 not equal to 4)
- PROFIBUS is not isochronous (r2064[0] not equal to 1)
- On the control side, DSC is not active, which causes the value of KPC =0 to be transmitted to p1191.

Function diagrams (see SINAMICS S120/S150 List Manual)

- 2420 PROFIdrive standard telegrams and process data
- 2422 Vendor-specific telegrams and process data
- 3090 Dynamic Servo Control (DSC)
- 5020 Speed setpoint filter and speed pre-control
- 5030 Reference model

Overview of important parameters (see SINAMICS S120/S150 List Manual)

- p1190 CI: DSC position deviation XERR
- p1191 CI: DSC position controller gain KPC
- p1192[D] DSC encoder selection
- p1193[D] DSC encoder adaptation factor
- r1407.4 CO/BO: Status word, velocity controller; velocity setpoint from DSC

3.16 Travel to fixed stop

Description

This function can be used to move a motor to a fixed stop at a specified torque without a fault being signaled. When the stop is reached, the specified torque is built up and remains applied.

The desired torque derating is brought about by scaling the upper/motor-mode torque limit and the lower/regenerative-mode torque limit.

Application examples

- Screwing parts together with a defined torque.
- Moving to a mechanical reference point.

Signals

When PROFIBUS telegrams 2 to 6 are used, the following are automatically interconnected:

- Control word 2, bit 8
- Status word 2, bit 8

Also with PROFIdrive telegrams 102 to 106:

- Message word, bit 1
- Process data M_red to the scaling of the torque limit

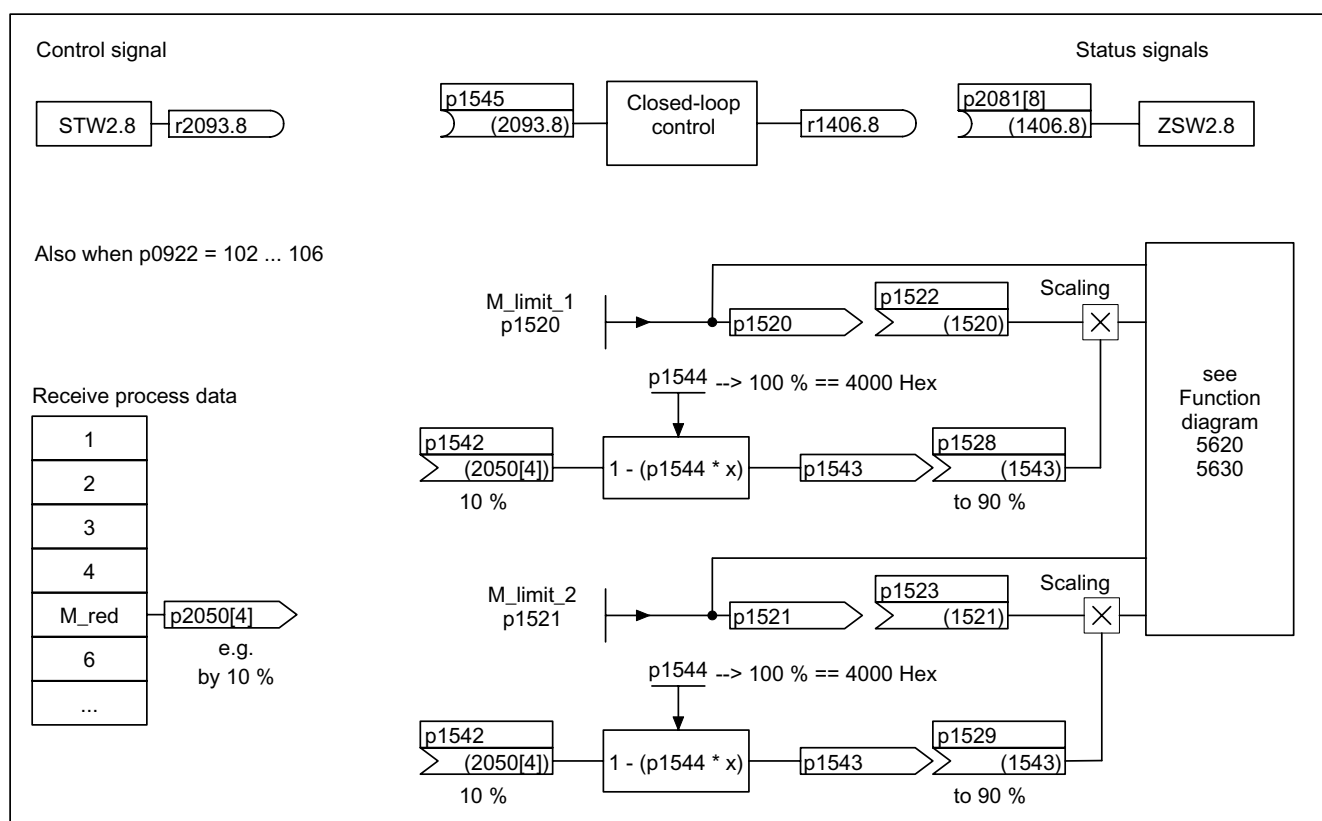


Figure 3-24 Signals for "Travel to fixed stop"

When PROFIdrive telegrams 2 to 6 are used, no torque reduction is transferred. When the "Travel to fixed stop" function is activated, the motor ramps up to the torque limits specified in p1520 and p1521. If the torque has to be reduced, protocols 102 to 106, for example, can be used to transfer it. Another option would be to enter a fixed value in p2900 and interconnect it to the torque limits p1528 and p1529.

Signal chart

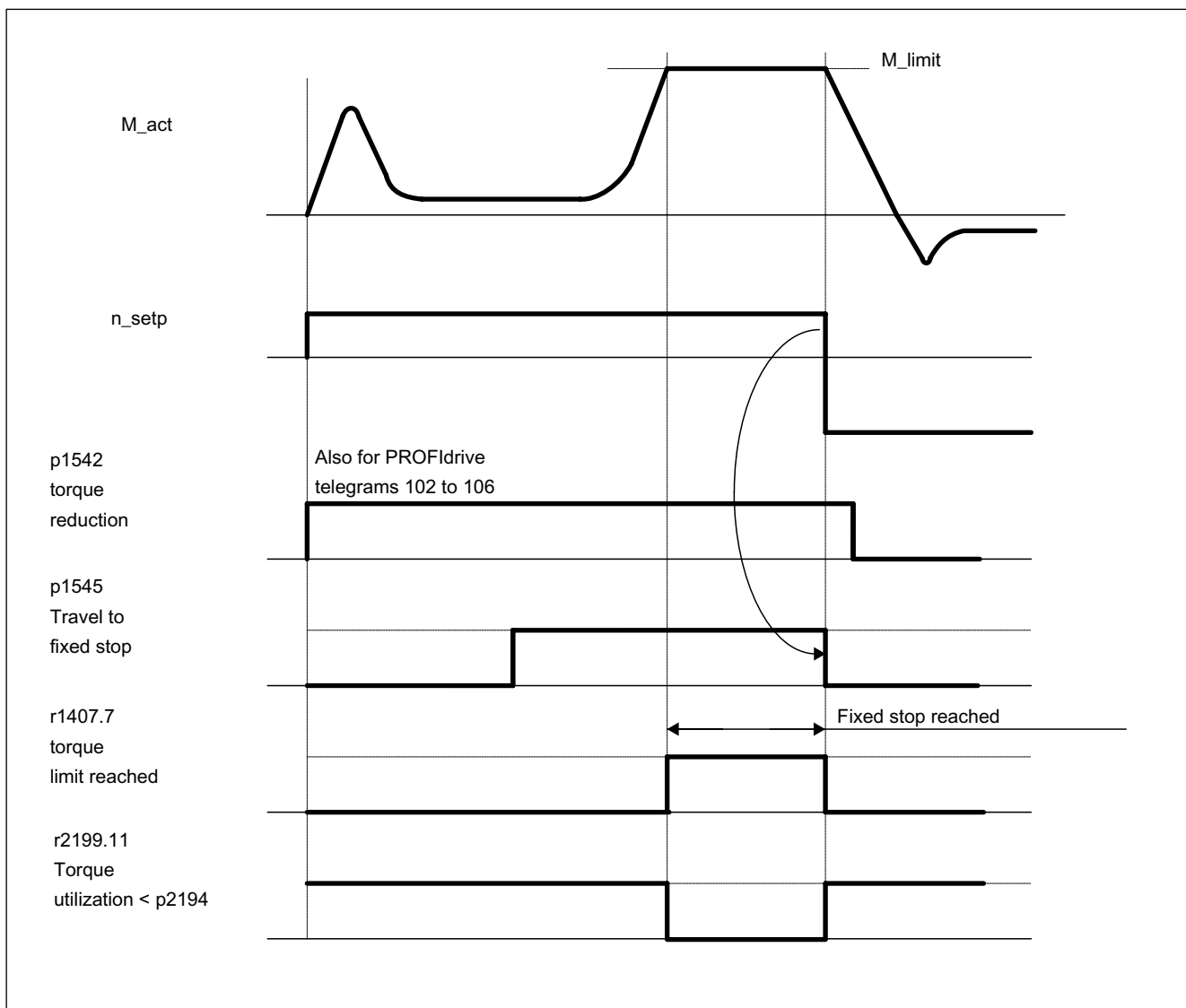


Figure 3-25 Signal chart for "Travel to fixed stop"

Commissioning for PROFIdrive telegrams 2 to 6

1. Activate travel to fixed stop.
Set p1545 = "1".
2. Set the required torque limit.

Example:

p1400.4 = "0" → upper or lower torque limit

p1520 = 100 Nm → effective in upper positive torque direction

p1521 = -1500 Nm → effective in lower negative torque direction

3. Run motor to fixed stop.

The motor runs at the set torque until it reaches the stop and continues to work against the stop until the torque limit has been reached, this status being indicated in status bit r1407.7 "Torque limit reached".

Control and status messages

Table 3- 17 Control: Travel to fixed stop

Signal name	Internal control word STW n_ctrl	Binector input	PROFIdrive p0922 and/or p2079
Activate travel to fixed stop	8	p1545 Activate travel to fixed stop	STW2.8

Table 3- 18 Status message: Travel to fixed stop

Signal name	Internal status word	Parameter	PROFIdrive p0922 and/or p2079
Travel to fixed stop active	-	r1406.8	ZSW2.8
Torque limits reached	ZSW n_ctrl.7	r1407.7	ZSW1.11 (inverted)
Torque utilization < torque threshold value 2	ZSW monitoring functions 3.11	r2199.11	MESSAGEW.1

Function diagrams (see SINAMICS S120/S150 List Manual)

- 5610 Torque limiting/reduction/interpolator
- 5620 Motor/generator torque limit
- 5630 Upper/lower torque limit
- 8012 Torque messages, motor blocked/stalled

Overview of important parameters (see SINAMICS S120/S150 List Manual)

- p1400[0...n] Speed control configuration
- r1407.7 CO/BO: Status word speed controller; BO: Torque limit reached
- p1520[0...n] CO: Torque limit, upper/motoring
- p1521[0...n] CO: Torque limit, lower/regenerative
- p1522[0...n] CI: Torque limit, upper/motoring
- p1523[0...n] CI: Torque limit, lower/regenerative
- r1526 Torque limit, upper/motoring without offset
- r1527 Torque limit, lower/regenerative without offset
- p1532[0...n] Torque limit offset
- p1542[0...n] CI: Travel to fixed stop, torque reduction
- r1543 CO: Travel to fixed stop, torque scaling
- p1544 Travel to fixed stop, evaluate torque reduction
- p1545[0...n] BI: Activate travel to fixed stop

- p2194[0...n] Torque threshold 2
- p2199.11 BO: Torque utilization < torque threshold value 2

3.17 Vertical axes

Description

With a vertical axis without mechanical weight compensation, electronic weight compensation can be set by offsetting the torque limits (p1532). The torque limits specified in p1520 and p1521 are shifted by this offset value.

The offset value can be read in r0031 and transferred in p1532.

To reduce compensation once the brake has been released, the torque offset can be interconnected as a supplementary torque setpoint (p1513). In this way, the holding torque is set as soon as the brake has been released.

Function diagrams (see SINAMICS S120/S150 List Manual)

- 5060 Torque setpoint, control type switchover
- 5620 Motor/generator torque limit
- 5630 Upper/lower torque limit

Overview of important parameters (see SINAMICS S120/S150 List Manual)

- r0031 Actual torque smoothed
- p1513[0...n] CI: Supplementary torque 2
- p1520[0...n] CO: Torque limit, upper/motoring
- p1521[0...n] CO: Torque limit, lower/regenerative
- p1532[0...n] CO: Torque limit, offset

3.18 Variable signaling function

Description

The variable signaling function can be used to monitor BICO sources and parameters (with the attribute traceable) for violation of an upper or lower threshold (p3295).

A hysteresis (p3296) can be specified for the threshold value and a pull-in or drop-out delay (p3297/8) can be specified for the output signal (p3294).

The setting of a hysteresis results in a tolerance band around the threshold value. If the upper threshold value is exceeded the output signal is set to 1, if it drops below the lower threshold value the output signal is reset to 0.

After the configuration is completed, the variable signaling function must be activated with p3290.0.

Example 1:

Heating should be switched on depending on the temperature. For this the analog signal of an external sensor is connected with the variable signaling function. A temperature threshold and a hysteresis is defined to prevent the heating from switching on and off constantly.

Example 2:

A process variable pressure is to be monitored, whereby a temporary overpressure is tolerated. For this the output signal of an external sensor is connected with the variable signaling function. The pressure thresholds and a pull-in delay are set as tolerance time.

When the output signal of the variable signaling function is set, bit 5 in message word MELDW is set during cyclic communication. The message word MELDW is a component of the telegrams 102, 103, 105, 106, 110, 111, 116, 118, 126.

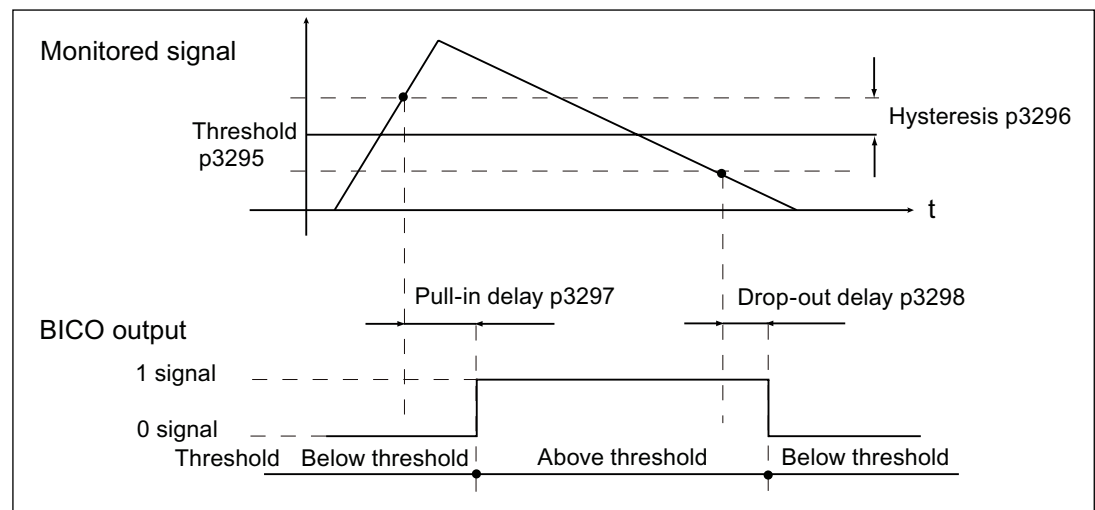


Figure 3-26 Variable signaling function

Function diagram (see SINAMICS S120/S150 List Manual)

- 5301 Servo control - variable signaling function

Overview of important parameters (see SINAMICS S120/S150 List Manual)

- p3290 Start variable signaling function
Bit 0 = 0: Stop variable signaling function (default)
Bit 0 = 1: Start variable signaling function with current parameter settings
Bit 1 = 0: Compare without sign
Bit 1 = 1: Compare with sign (default)
- p3291 Variable signaling function signal source
BICO source, with which the connector parameters or parameters with the attribute traceable can be connected.
- p3292 Variable signaling function signal source address
Set the address of the signal source for the variable signaling function
- p3293 Variable signaling function signal source data type
Set the data type of the signal source for the variable signaling function
- p3294 Variable signaling function output signal
Display the output signal for the variable signaling function.
Specify the signal source (binector parameter), individual bits can be interconnected.
- p3295 Variable signaling function threshold value
Set the threshold value for the variable signaling function.
- p3296 Variable signaling function hysteresis
Set the hysteresis for the variable signaling function.
- p3297 Variable signaling function pull-in delay [ms]
Set the pull-in delay for the variable signaling function.
The output signal is set if the condition for a 1 signal is fulfilled for a longer period than the programmed pull-in delay.
- p3298 Variable signaling function drop-out delay [ms]
Set the drop-out delay for the variable signaling function.
The output signal is reset if the condition for a 0 signal is fulfilled for a longer period than the programmed drop-out delay.

Note:

The variable signaling function works with an accuracy of 8 ms (also to be taken into account for pull-in and drop-out delay).

Vector control

Compared with vector V/f control, vector control offers the following benefits:

- Stability vis-à-vis load and setpoint changes
- Short rise times with setpoint changes (→ better command behavior)
- Short settling times with load changes (→ better disturbance characteristic)
- Acceleration and braking are possible with maximum available torque
- Motor protection due to variable torque limitation in motor and regenerative mode
- Drive and braking torque controlled independently of the speed
- Maximum breakaway torque possible at speed 0

Vector control can be used with or without an encoder.

The following criteria indicate when an encoder is required:

- High speed accuracy is required
- High dynamic response requirements
 - Better command behavior
 - Better disturbance characteristic
- Torque control is required in a control range greater than 1:10
- Allows a defined and/or variable torque for speeds below approx. 10% of the rated motor frequency (p0310) to be maintained.

With regard to setpoint input, vector control is divided into:

- Speed control
- Torque/current control (in short: torque control)

Comparison of servo control and vector control

The table below shows a comparison between the characteristic features of the servo and vector controls.

Table 4- 1 Comparison of servo control and vector control

Subject	Servo	Vector
Typical applications	Drives with highly dynamic motion control. Drives with high speed and torque accuracy (servo synchronous motors). Angular-locked synchronism with isochronous PROFIdrive. For use in machine tools and clocked production machines	Speed and torque-controlled drives with high speed and torque accuracy, particularly in operation without an encoder (sensorless operation).
Maximum number of drives that can be controlled by one Control Unit.	1 infeed + 6 drives (with sampling rate of current controller 125 µs / speed controller 125 µs) 1 infeed + 2 drives (with sampling rate of current controller 62.5 µs / speed controller 62.5 µs)	1 Active Line Module + 2 Motor Modules (with sampling time of current controller 250 µs / speed controller 1 ms) 1 Active Line Module + 4 Motor Modules (with sampling time of current controller 400 µs/500 µs / speed controller 1.6 ms/2ms) V/f control: 1 Active Line Module + 8 Motor Modules (with sampling time of current controller 500 µs / speed controller 4 ms)
Dynamic response	High	Average
Sampling time current controller/speed controller/pulse frequency	Booksize: 125 µs / 125 µs / >= 4 kHz (factory setting 4 kHz) Blocksize: 125 µs / 125 µs / >= 4 kHz (factory setting 4 kHz) Chassis (frame sizes Fx and Gx): 250 µs / 250 µs / >= 2 kHz (factory setting 2 kHz) 125 µs /125 µs / >= 4 kHz	Booksize: 250 µs / 1000 µs / >=2 kHz (factory setting 4 kHz) 500 µs / 2000 µs / >= 2 kHz (factory setting 4 kHz) Blocksize: 250 µs / 1000 µs / >= 2 kHz (factory setting 4 kHz) 500 µs / 2000 µs / >=2 kHz (factory setting 4 kHz) Chassis: <=250kW: 250 µs / 1000 µs / >=2 kHz > 250 kW: 400 µs / 1600 µs / >=1.25 kHz 690 V: 400 µs / 1600 µs / >=1.25 kHz

Subject	Servo	Vector
Connectable motors	Synchronous servomotors Induction motors Torque motors	Induction motors Synchronous motors (incl. torque motors) Reluctance motors (only for V/f control) Separately excited synchronous motors (only for closed-loop control with encoder) Note: Synchronous motors of series 1FT6, 1FK6 and 1FK7 not included
Position interface via PROFIdrive for higher-level motion control	Yes	Yes
Encoderless speed control	Yes (from 10 % rated motor speed)	Yes (from standstill or 2% rated motor speed)
Motor identification (third-party motors)	Yes	Yes
Speed controller optimization	Yes	No, only pre-assignment of parameters
V/f control	Diagnostic mode	Yes (various characteristics)
Encoderless closed-loop torque control	No	Yes (open-loop control at low speeds)
Field-weakening range for induction motors	≤ 16 * field-weakening threshold speed (with encoder) ≤ 5 * field-weakening threshold speed (without encoder)	≤ 5 * rated motor speed
Maximum output frequency with closed-loop control	1300 Hz with 62.5 μ s / 8 kHz 650 Hz with 125 μ s / 4 kHz 300 Hz with 250 μ s / 2kHz	300 Hz with 250 μ s / 4 kHz or with 400 μ s / 5 kHz 240 Hz with 500 μ s / 4 kHz
Note: The derating characteristics in the Equipment Manuals must be carefully observed! Max. output frequency when using dv/dt and sine-wave filters 150 Hz!		
Reaction in operation at the thermal limit of the motor	Reduction in the current setpoint or shutdown	Reduction in the pulse frequency and / or the current setpoint or shutdown (not applicable with parallel connection / sine-wave filter)
Speed setpoint channel (ramp-function generator)	Optional (reduces the number of drives from 6 to 5 Motor Modules with a sampling time for current controller of 125 μ s/speed controller 125 μ s)	Standard
Parallel connection of power units	No	Booksize: No Chassis: Yes

4.1 Sensorless vector control (SLVC)

In sensorless vector control (SLVC), the position of the flux and actual speed must be determined via the electric motor model. The motor model is buffered by the incoming currents and voltages. At low frequencies (approx. 0 Hz), the motor model cannot determine the speed with sufficient accuracy. For this reason, the motor switches from closed-loop to open-loop control.

The changeover between closed-loop/open-loop control is controlled by means of the time and frequency conditions (p1755, p1756, p1758 for induction motors only). The system does not wait for the time condition to elapse when the setpoint frequency at the ramp-function generator input and the actual frequency are below $p1755 * (1 - (p1756/100\%))$ simultaneously.

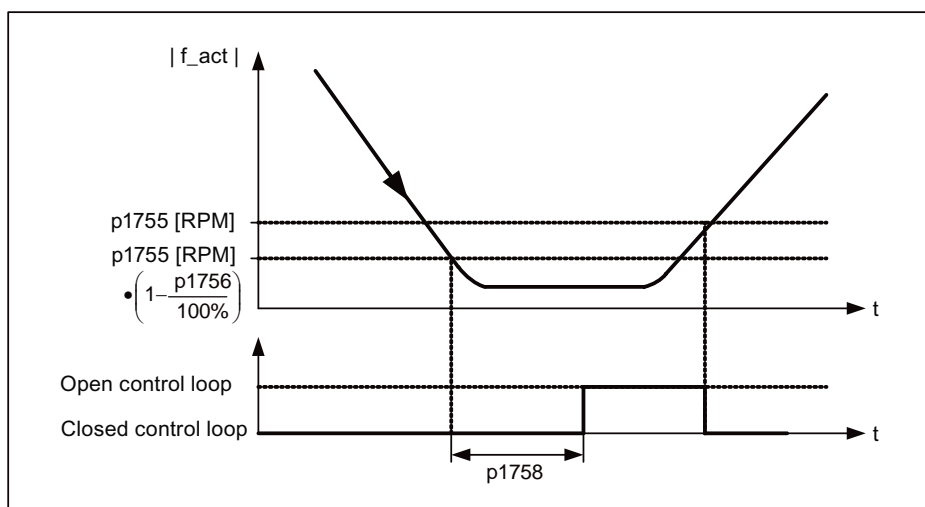


Figure 4-1 Switchover conditions for SLVC

In open-loop operation, the calculated actual speed value is the same as the setpoint value. For vertical loads and acceleration processes, parameters p1610 (constant torque boost) and p1611 (acceleration torque boost) must be modified in order to generate the static or dynamic load torque of the drive. If, for induction motors (ASM), p1610 is set to 0%, only the magnetizing current r0331 is injected; when the value is 100%, the rated motor current p0305 is injected. For permanent-magnet synchronous motors (PEM), for p1610 = 0 %, a pre-control absolute value, derived from the supplementary torque r1515, remains instead of the magnetizing current for ASM. To ensure that the drive does not stall during acceleration, p1611 can be increased or acceleration pre-control for the speed controller can be used. This is also advisable to ensure that the motor is not subject to thermal overload at low speeds.

Vector control without a speed sensor has the following features at low frequencies:

- Closed-loop operation up to approx. 1 Hz output frequency.
- Starting in closed-loop controlled operation (directly after the drive has been energized) (only ASM).

Note

In this case, the speed setpoint upstream of the ramp-function generator must be greater than (p1755).

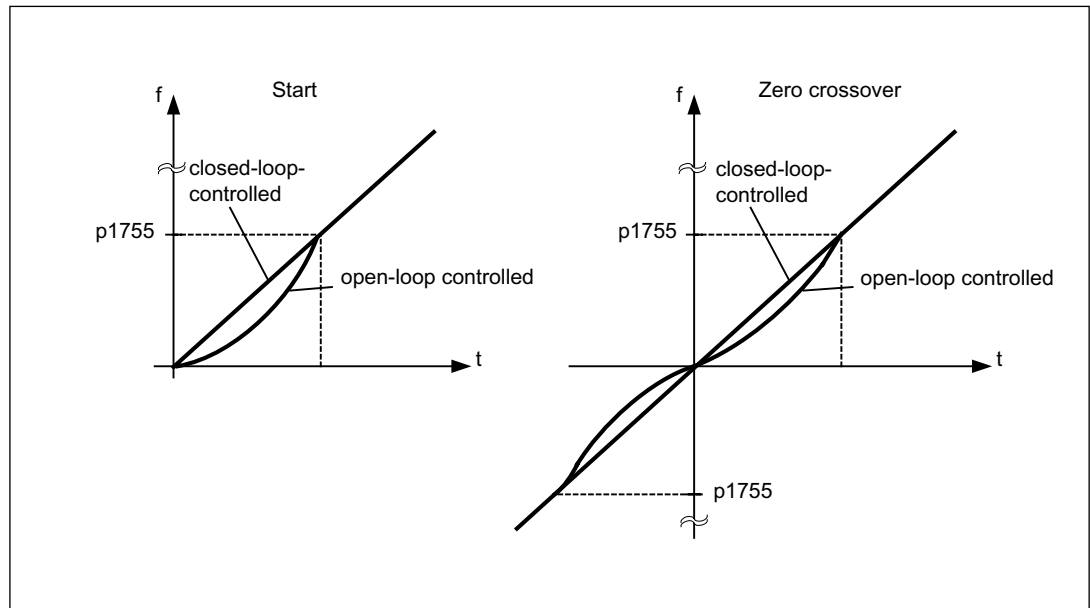


Figure 4-2 Starting and passing through 0 Hz in closed-loop and open-loop-controlled operation

Closed-loop operation up to approx. 1 Hz (settable via parameter p1755) and the ability to start or reverse at 0 Hz directly in closed-loop operation (settable via parameter p1750) result in the following benefits:

- No switchover required within closed-loop control (smooth operation, no dips in frequency).
- Steady-state speed-torque control is possible up to approx. 1 Hz.

Note

When the motor is started or reversed in closed-loop control at 0 Hz, it is important to take into account that a changeover is made from closed-loop to open-loop control automatically if the system remains in the 0 Hz range for too long (> 2 s or > p1758).

Permanent-magnet synchronous motors (PEM) are always started and reversed in open-loop operation. The changeover speeds are set to 10% or 5% of the rated motor speed. Changeover is not subject to any time condition (p1758 is not evaluated). Prevailing load torques (motor or regenerative) are adapted in open-loop operation, facilitating constant-torque crossover to closed-loop operation even under high static loads. Whenever the pulses are enabled, the rotor position is identified.

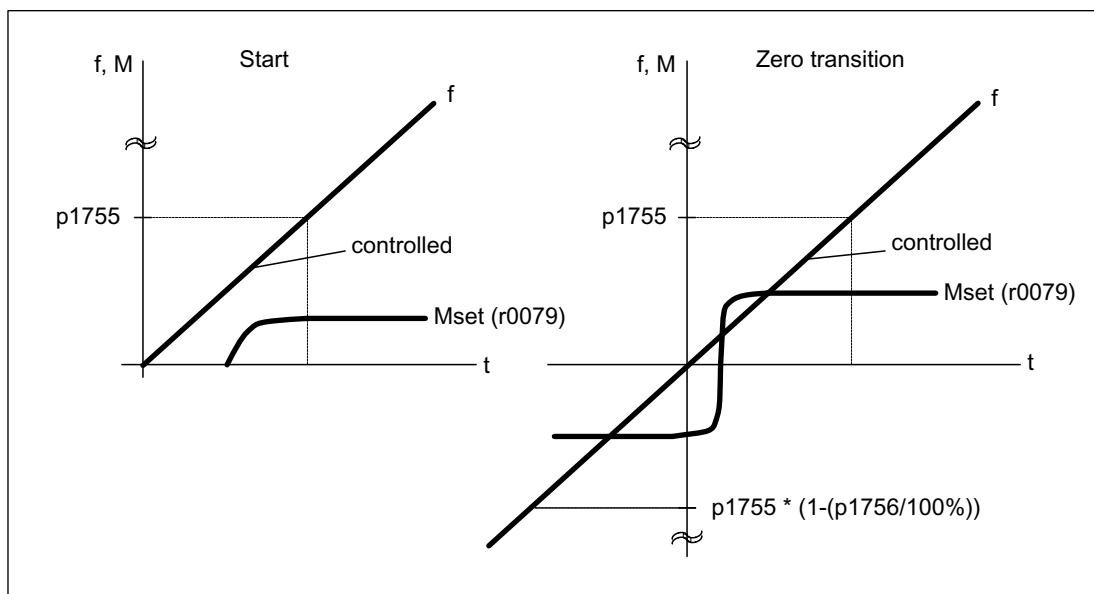


Figure 4-3 Zero crossover for permanent-magnet synchronous motors

Supplementary closed-loop control as of firmware version 2.6

With the restriction to passive loads at starting, it is now possible to maintain induction motors in steady-state, closed-loop-controlled operation down to zero frequency (standstill) without switching over to open-loop-controlled operation at any time.

Parameter p1750.2 must be set to 1 for this purpose.

Encoderless closed-loop control for passive loads can also be selected with p0500 = 2 (technological application = passive loads with encoderless closed-loop control down to $f = 0$). If p0578 = 1 (calculate technology-specific parameters) is then selected, bit 2 = 1 in p1750 is automatically set and the function thus activated.

The function is also activated automatically if p0500 = 2 is set during quick commissioning and quick commissioning is exited with p3900 > 0.

Closed-loop control without switchover is limited to applications with passive load:

A passive load has only a reactive effect on the drive torque of the driving motor during starting, e.g. inert masses, brakes, pumps, fans, centrifuges, extruders.

The motor can remain at standstill without holding current for any period because only the motor magnetizing current is injected.

It is not permissible to operate the motor steadily in generator motor at frequencies close to zero.

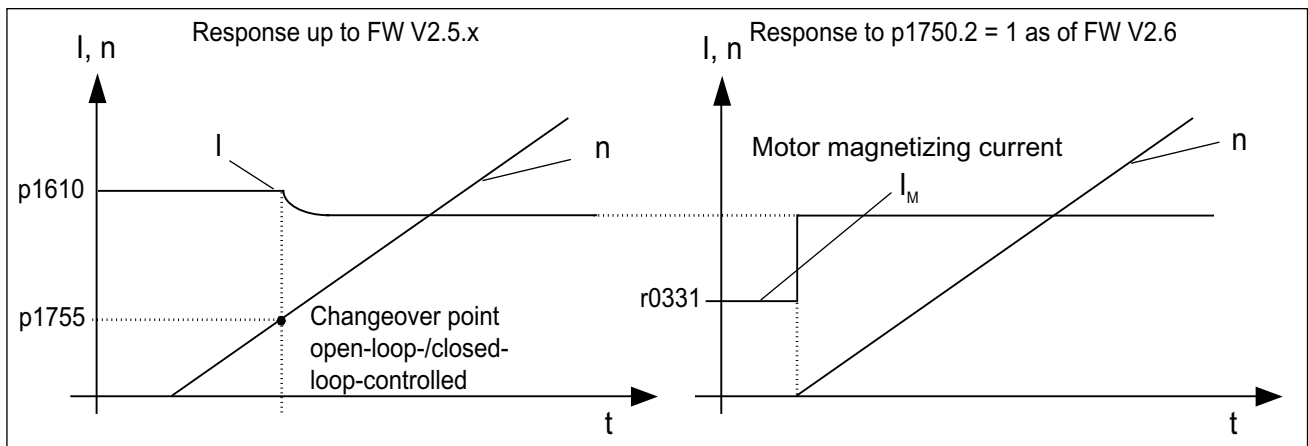


Figure 4-4 Encoderless vector control as of firmware version 2.6

Function diagrams (see SINAMICS S120/S150 List Manual)

- 6730 Interface to Motor Module (ASM, p0300 = 1)
- 6731 Interface to the Motor Module (PEM, p0300 = 2)

Overview of important parameters (see SINAMICS S120/S150 List Manual)

- p0305[0...n] Rated motor current
- r0331[0...n] Motor magnetizing current/short-circuit current actual
- p1610[0...n] Torque setpoint static (SLVC)
- p1611[0...n] Supplementary accelerating torque (SLVC)
- p1750[0...n] Motor model configuration
- p1755[0...n] Motor model changeover speed encoderless operation
- p1756 Motor model changeover speed hysteresis
- p1758[0...n] Motor model changeover delay time, open/closed-loop control

4.2 Vector control with encoder

Benefits of vector control with an encoder:

- The speed can be controlled right down to 0 Hz (standstill)
- Constant torque in the rated speed range
- Compared with speed control without an encoder, the dynamic response of drives with an encoder is significantly better because the speed is measured directly and integrated in the model created for the current components.
- Higher speed accuracy

Motor model change

A model change takes place between the current model and the observer model within the speed range p1752*(100%-p1753) and p1752. In the current model range (i.e at lower speeds), torque accuracy depends on whether thermal tracking of the rotor resistance is carried out correctly. In the observer model range and at speeds of less than approx. 20% of the rated speed, torque accuracy depends primarily on whether thermal tracking of the stator resistance is carried out correctly. If the resistance of the supply cable is greater than 20% to 30% of the total resistance, this should be entered in p0352 before motor data identification is carried out (p1900/p1910).

To deactivate thermal adaptation, set p0620 = 0. This may be necessary if adaptation cannot function accurately enough due to the following general conditions: for example, if a KTY sensor is not used for recording the temperature and the ambient temperatures fluctuate significantly or the overtemperatures of the motor (p0626 ... p0628) deviate significantly from the default settings due to the design of the motor.

4.3 Speed controller

Both closed-loop control procedures with and without an encoder (VC, SLVC) have the same speed controller structure, which contains the following components:

- PI controller
- Speed controller pre-control
- Droop

The total of the output variables result in the torque setpoint, which is reduced to the permissible magnitude by means of the torque setpoint limitation.

Speed controller

The speed controller receives its setpoint (r0062) from the setpoint channel and its actual value (r0063) either directly from the speed sensor (control with sensor (VC)) or indirectly via the motor model (control without sensor (SLVC)). The system deviation is increased by the PI controller and, in conjunction with the pre-control, results in the torque setpoint.

When the load torque increases, the speed setpoint is reduced proportionately when droop is active, which means that the single drive within a group (two or more mechanically connected motors) is relieved when the torque becomes too great.

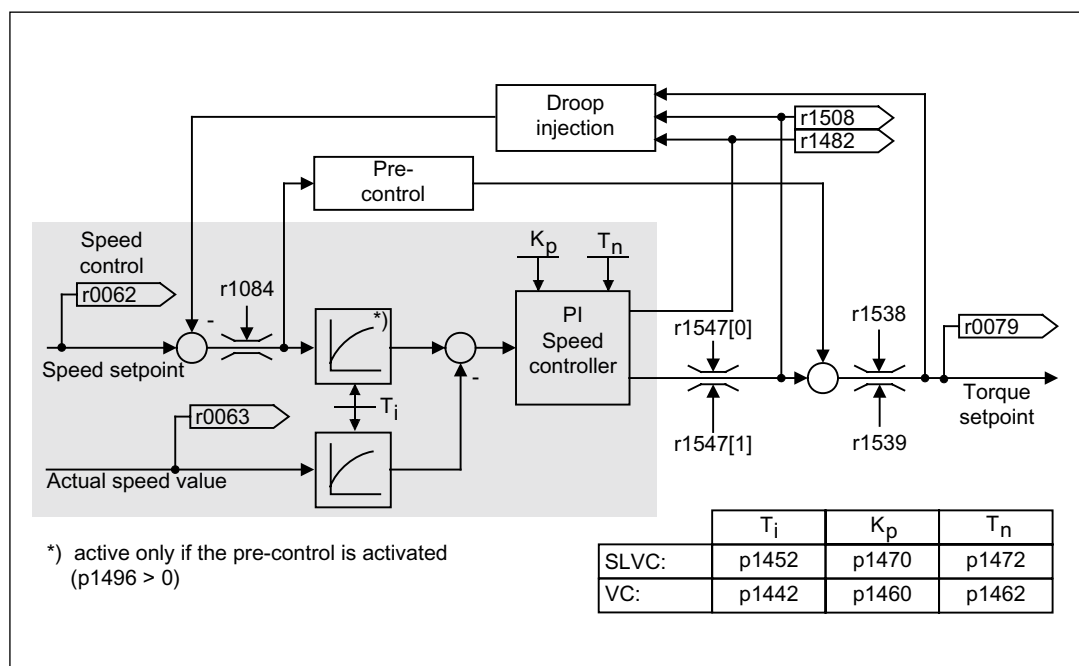


Figure 4-5 Speed controller

The optimum speed controller setting can be determined via the automatic speed controller optimization function (p1900 = 1, rotating measurement).

If the inertia load has been specified, the speed controller (K_p, T_n) can be calculated by means of automatic parameterization (p0340 = 4). The controller parameters are defined in accordance with the symmetrical optimum as follows:

$$T_n = 4 * T_s$$

$$K_p = 0.5 * r0345 / T_s = 2 * r0345 / T_n$$

T_s = total of the short delay times (contains p1442 and p1452)

If vibrations occur with these settings, the speed controller gain K_p must be reduced manually. Actual-speed-value smoothing can also be increased (standard procedure for gearless or high-frequency torsion vibrations) and the controller calculation performed again because this value is also used to calculate K_p and T_n.

The following relationships apply for optimization:

- If K_p is increased, the controller becomes faster, although overshoot is reduced. Signal ripples and vibrations in the speed control loop, however, increase.
- If T_n is decreased, the controller still becomes faster, although overshoot is increased.

When speed control is set manually, it is easiest to define the possible dynamic response via K_p (and actual speed value smoothing) first before reducing the integral time as much as possible. When doing so, closed-loop control must also remain stable in the field-weakening range.

To suppress any vibrations that occur in the speed controller, it is usually only necessary to increase the smoothing time in p1452 for operation with an encoder or p1442 for operation without an encoder or reduce the controller gain.

The integral output of the speed controller can be monitored via r1482 and the limited controller output via r1508 (torque setpoint).

Note

In comparison with speed control with an encoder, the dynamic response of drives without an encoder is significantly reduced. The actual speed is derived by means of a model calculation from the converter output variables for current and voltage that have a corresponding interference level. To this end, the actual speed must be adjusted by means of filter algorithms in the software.

Function diagrams (see SINAMICS S120/S150 List Manual)

- 6040 Speed controller with/without encoder

Overview of important parameters (see SINAMICS S120/S150 List Manual)

- p0340[0...n] Automatic calculation of motor/control parameters
- p1442[0...n] Speed controller actual speed smoothing time
- p1452[0...n] Speed controller actual value smoothing time (SLVC)
- p1460[0...n] Speed controller P gain lower adaptation speed
- p1462[0...n] Speed controller integral time lower adaptation speed
- p1470[0...n] Speed controller encoderless operation P gain
- p1472[0...n] Speed controller encoderless operation integral time
- p1960 Rotating measurement selection
- r0062 CO: Speed setpoint after the filter
- r0063[0...1] CO: Speed actual value
- r0345[0...n] Nominal motor starting time
- r1482 CO: Speed controller I torque output
- r1508 CO: Torque setpoint before supplementary torque

4.4 Speed controller adaptation

Description

Two adaptation methods are available, namely free Kp_n adaptation and speed-dependent Kp_n/Tn_n adaptation.

Free Kp_n adaptation can also be activated in "operation without encoder" mode and is used in "operation with encoder" mode as an additional factor for speed-dependent Kp_n adaptation.

The speed-dependent Kp_n/Tn_n-adaptation is only active during "operation with encoder".

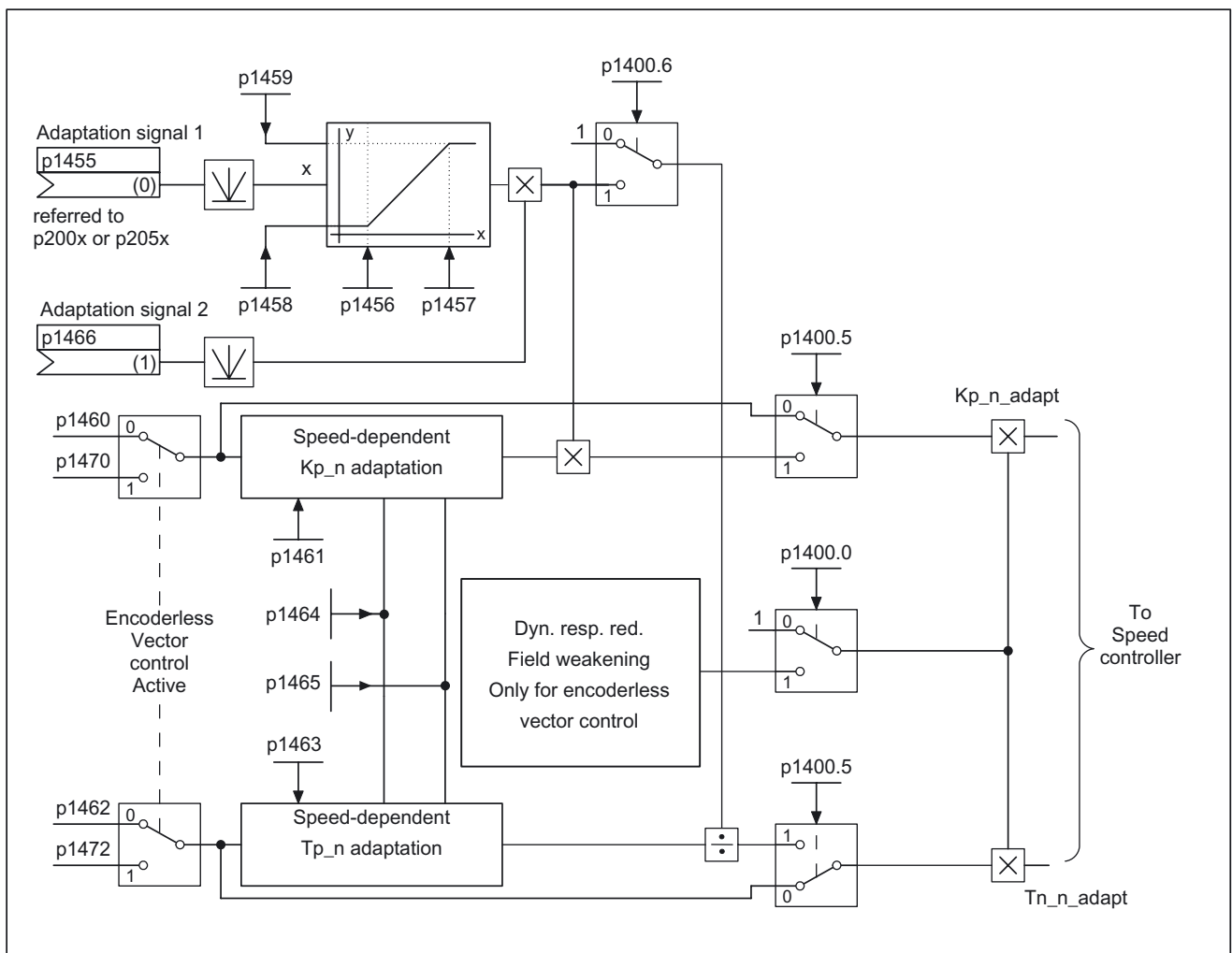


Figure 4-6 Kp_n/Tn_n adaptation

Dynamic response reduction in the field-weakening range can be activated (p1400.0) with encoderless operation. This is activated when the speed controller is optimized in order to achieve a greater dynamic response in the basic speed range.

Example of speed-dependent adaptation

Note

This type of adaptation is only active in "operation with encoder" mode.

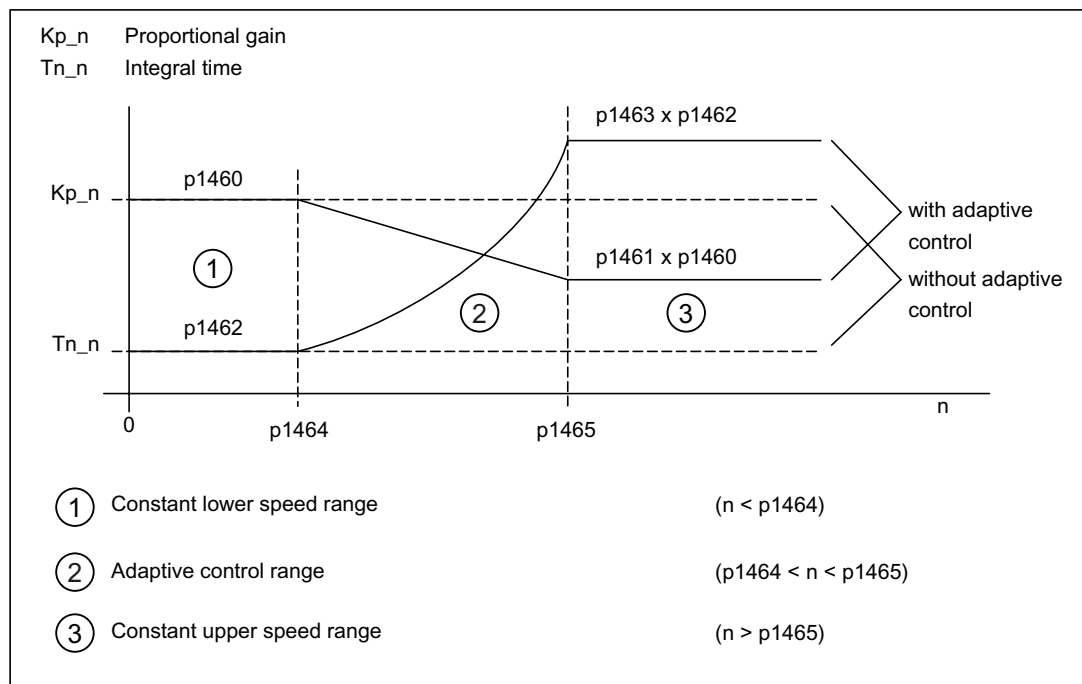


Figure 4-7 Speed controller Kp_n/Tn_n adaptation

Parameterization

The "speed controller" parameter screen is selected via the following icon in the toolbar of the STARTER commissioning tool:



Figure 4-8 STARTER icon for "speed controller"

Function diagrams (see SINAMICS S120/S150 List Manual)

- 6050 Kp_n and Tn_n adaptation

Overview of important parameters (see SINAMICS S120/S150 List Manual)

- p1400.5 speed control configuration: Kp/Tn adaptation active
- p1470 Speed controller encoderless operation P-gain
- p1472 Speed controller encoderless operation integral-action time

Free Kp_n adaptation

- p1455[0...n] CI: Speed controller P gain adaptation signal
- p1456[0...n] Speed controller P gain adaptation lower starting point
- p1457[0...n] Speed controller P gain adaptation upper starting point
- p1458[0...n] Lower adaptation factor
- p1459[0...n] Upper adaptation factor
- p1466[0...n] CI: Speed controller P gain scaling

Speed-dependent Kp_n/Tn_n adaptation (VC only)

- p1460[0...n] Speed controller P gain lower adaptation speed
- p1461[0...n] Speed controller Kp adaptation speed upper scaling
- p1462 Speed controller integral action time adaptation speed, lower
- p1463 Speed controller Tn adaptation speed upper scaling
- p1464 Speed controller adaptation speed, lower
- p1465 Speed controller adaptation speed, upper

Dynamic response reduction field weakening (SLVC only)

- p1400.0 Speed control configuration: Automatic Kp/Tn adaptation active

4.5 Speed controller pre-control and reference model

The command behavior of the speed control loop can be improved by calculating the accelerating torque from the speed setpoint and connecting it on the line side of the speed controller. This torque setpoint (mv) is calculated as follows:

$$mv = p1496 \cdot J \cdot \frac{dn}{dt} = p1496 \cdot p0341 \cdot p0342 \cdot \frac{dn}{dt}$$

The torque setpoint is switched/pre-controlled directly to the current controller via adaptors as supplementary command variables (enabled via p1496).

The motor moment of inertia p0341 is calculated directly during commissioning or when the entire set of parameters is calculated (p0340 = 1). The factor p0342 between the total moment of inertia J and the motor moment of inertia must be determined manually or by means of speed controller optimization. The acceleration is calculated from the speed difference over the time dn/dt.

Note

When speed controller optimization is carried out, the ratio between the total moment of inertia and that of the motor (p0342) is determined and acceleration pre-control scaling (p1496) is set to 100%.

When p1400.2 = p1400.3 = 0, pre-control balancing is set automatically.

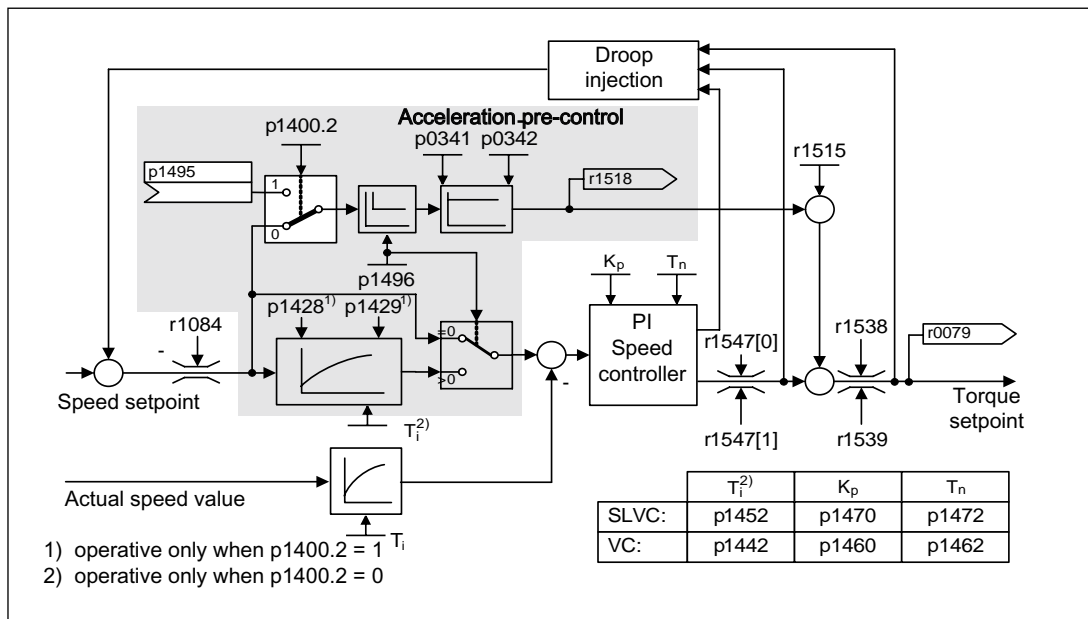


Figure 4-9 Speed controller with pre-control

If the speed controller has been correctly adjusted, it only has to compensate for disturbance variables in its own control loop, which can be achieved by means of a relatively small change to the correcting variables. Speed setpoint changes, on the other hand, are carried out without involving the speed controller and are, therefore, performed more quickly.

The effect of the pre-control variable can be adapted according to the application via the evaluation factor p1496. If p1496 = 100 %, pre-control is calculated in accordance with the motor and load moment of inertia (p0341, p0342). A balancing filter is used automatically to prevent the speed controller from acting against the injected torque setpoint. The time constant of the balancing filter corresponds to the equivalent delay time of the speed control loop. Speed controller pre-control is correctly set (p1496 = 100%, calibration via p0342) when the I component of the speed controller (r1482) does not change during a ramp-up or ramp-down in the range $n > 20\% \times p0310$. Thus, the pre-control allows a new speed setpoint to be approached without overshoot (prerequisite: the torque limiting does not act and the moment of inertia remains constant).

If the speed controller is pre-controlled through injection, the speed setpoint (r0062) is delayed with the same smoothing time (p1442 or p1452) as the actual value (r1445). This ensures that no target/actual difference (r0064) occurs at the controller input during acceleration, which would be attributable solely to the signal propagation time.

When speed pre-control is activated, the speed setpoint must be specified continuously or without a higher interference level (avoids sudden torque changes). An appropriate signal can be generated by smoothing the speed setpoint or activating the ramp-function generator rounding p1130 – p1131.

The starting time r0345 (T_{start}) is a measure for the total moment of inertia J of the machine and describes the time during which the unloaded drive can be accelerated with the rated motor torque r0333 ($M_{mot, rated}$) from standstill to the rated motor speed p0311 ($n_{mot, rated}$).

$$r0345 = T_{Anlauf} = J \cdot \frac{(2\pi \cdot n_{Mot, nenn})}{(60 \cdot M_{Mot, nenn})} = p0341 \cdot p0342 \cdot \frac{(2\pi \cdot p0311)}{(60 \cdot r0333)}$$

If these supplementary conditions are in line with the application, the starting time can be used as the lowest value for the ramp-up or ramp-down time.

Note

The ramp-up and ramp-down times (p1120; p1121) of the ramp-function generator in the setpoint channel should be set accordingly so that the motor speed can track the setpoint during acceleration and braking. This ensures that speed controller pre-control is functioning optimally.

The acceleration pre-control using a connector input (p1495) is activated by the parameter settings p1400.2 = 1 and p1400.3 = 0. p1428 (dead time) and p1429 (time constant) can be set for balancing purposes.

Reference model

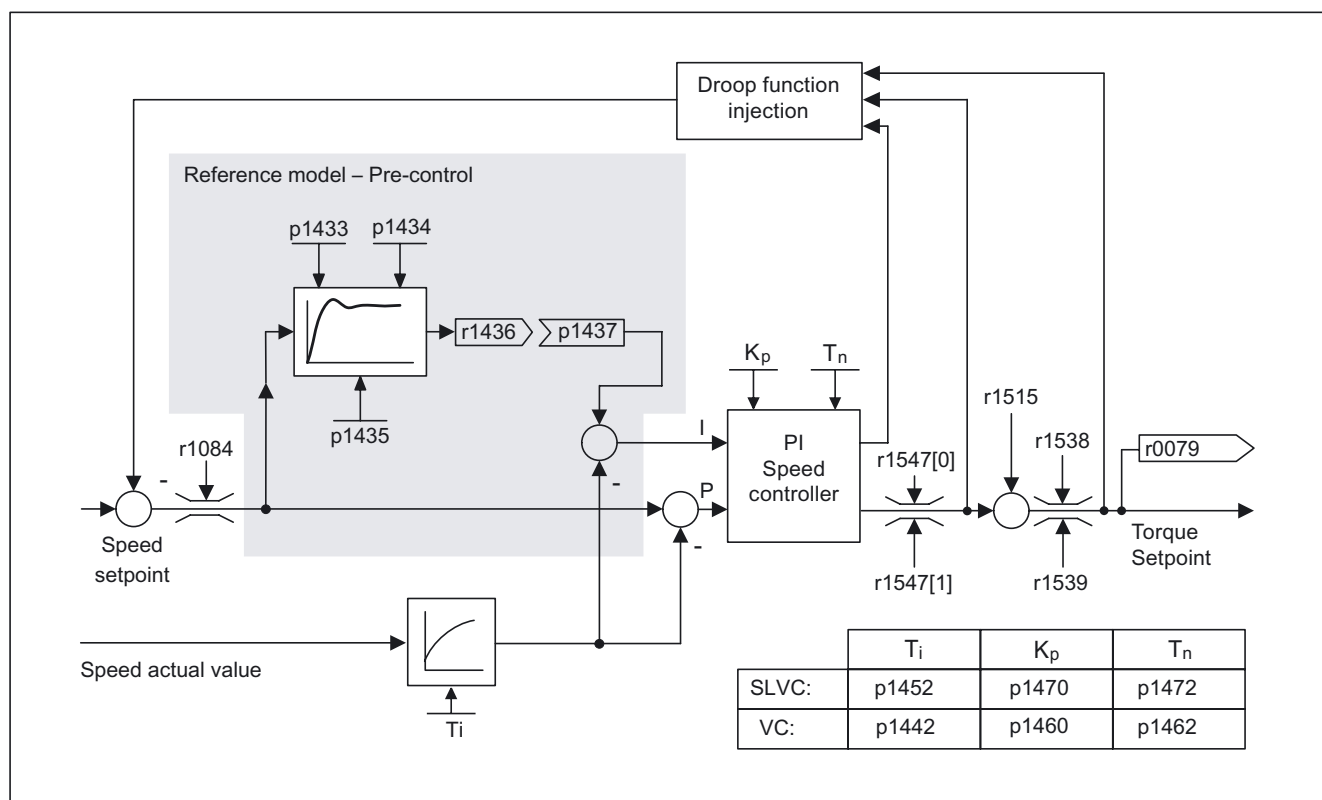


Figure 4-10 Reference model

The reference model is activated when p1400.3 = 1 and p1400.2 = 0.

The reference model is used to emulate the path of the speed control loop with a P speed controller.

The path emulation can be set in p1433 to p1435. It is activated when p1437 is connected to the output of model r1436.

The reference model delays the setpoint-actual deviation for the integral component of the speed controller so that transient conditions can be suppressed.

The reference model can also be emulated externally and its output signal injected via p1437.

Function diagrams (see SINAMICS S120/S150 List Manual)

- 6031 Pre-control balancing for reference/acceleration model
- 6040 Speed controller

Overview of important parameters (see SINAMICS S120/S150 List Manual)

- p0311[0...n] Rated motor speed
- r0333[0...n] Rated motor torque
- p0341[0...n] Motor moment of inertia
- p0342[0...n] Ratio between the total moment of inertia and that of the motor
- r0345[0...n] Nominal motor starting time
- p1400.2[0...n] Acceleration pre-control source
- p1428[0...n] Speed precontrol deadtime for balancing pre-control speed
- p1429[0...n] Speed pre-control time constant for balancing
- p1496[0...n] Acceleration precontrol scaling
- r1518 CO: Accelerating torque

**Overview of important parameters (see SINAMICS S120/S150 List Manual)
for the reference model**

- p1400.3[0...n] Reference model speed setpoint I component
- p1433[0...n] Speed controller reference model natural frequency
- p1434[0...n] Speed controller reference model damping
- p1435[0...n] Speed controller reference model deadtime
- r1436 CO: Speed controller reference model speed setpoint output
- p1437[0...n] CI: Speed controller reference model I component input

Function diagrams (see SINAMICS S120/S150 List Manual)

- 6030 Speed setpoint, droop, acceleration model

Overview of important parameters (see SINAMICS S120/S150 List Manual)

- p1488[0...n] Droop input source
- p1489[0...n] Droop feedback scaling
- p1492[0...n] BI: Droop feedback enable
- r1482 CO: Speed controller I torque output
- r1490 CO: Droop feedback speed reduction

4.7 Torque control

With sensorless speed control SLVC (p1300 = 20) or speed control with sensor VC (p1300 = 21), a switchover can be made to torque control (slave drive) via BICO parameter p1501. A switchover cannot be made between speed and torque control if torque control is selected directly with p1300 = 22 or 23. The torque setpoint and/or supplementary setpoint can be entered using BICO parameter p1503 (CI: torque setpoint) or p1511 (CI: supplementary torque setpoint). The supplementary torque is active both with torque and speed control. This particular feature with the supplementary torque setpoint allows a pre-control torque to be applied for speed control.

Note

For safety reasons, connecting to fixed torque setpoints is currently not possible.

Regenerative energy may accumulate, and this must be either fed back into the supply system or converted into heat using a braking resistor.

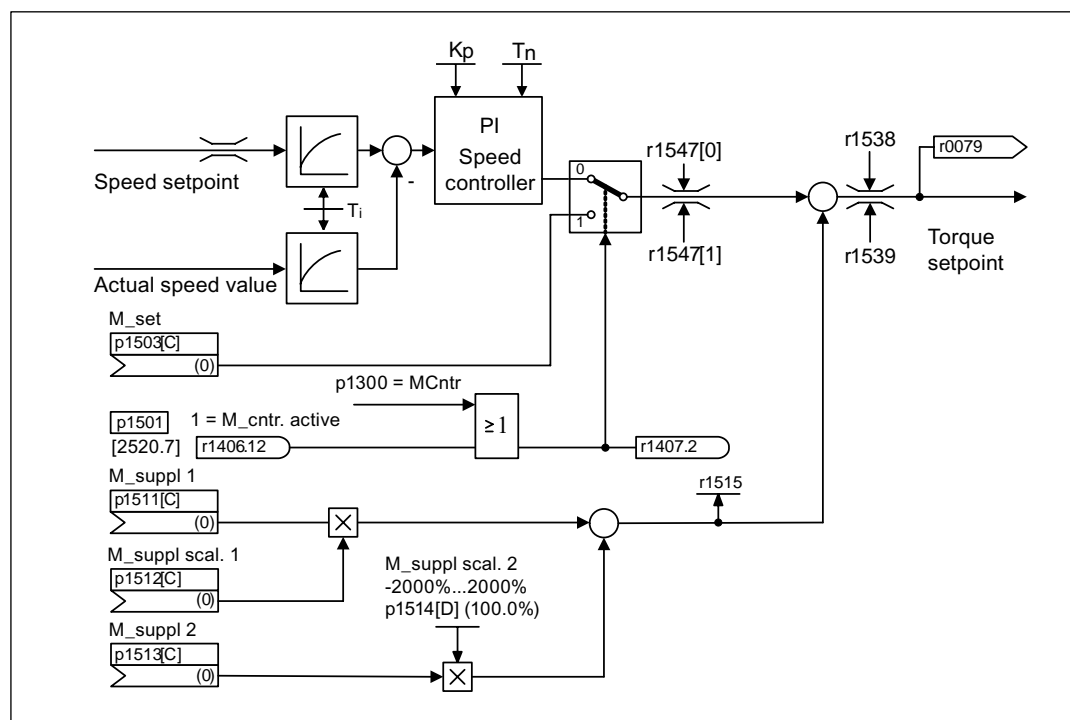


Figure 4-12 Closed-loop speed/torque control

The total of the two torque setpoints is limited in the same way as the speed control torque setpoint. Above the maximum speed (p1082), a speed limiting controller reduces the torque limits in order to prevent the drive from accelerating any further.

True torque control (with self-adjusting speed) is only possible in closed-loop but not open-loop control for sensorless vector control (SLVC). In open-loop control, the torque setpoint adjusts the setpoint speed via a ramp-function generator (integration time $\sim p1499 \times p0341 \times p0342$). For this reason, encoderless torque control at standstill is only suitable for applications that require an accelerating torque but no load torque (e.g. traction drives). This restriction does not apply to torque control with sensor.

OFF responses

- OFF1 and p1300 = 22, 23
 - Reaction as for OFF2
- OFF1, p1501 = "1" signal and p1300 \neq 22, 23
 - No separate braking response; the braking response takes place by a drive that specifies the torque.
 - The pulses are suppressed when the brake application time (p1217) expires. Standstill is detected when the actual speed value is less than the speed threshold (p1226) or when the monitoring time (p1227) that started when speed setpoint \leq speed threshold (p1226) has expired.
 - Switching on inhibited is activated.
- OFF2
 - Immediate pulse suppression, the drive coasts to standstill.
 - The motor brake (if parameterized) is closed immediately.
 - Switching on inhibited is activated.
- OFF3
 - Switch to speed-controlled operation
 - n_set = 0 is input immediately to brake the drive along the OFF3 deceleration ramp (p1135).
 - When zero speed is detected, the motor brake (if parameterized) is closed.
 - The pulses are suppressed when the motor brake application time (p1217) has elapsed. Standstill is detected when the actual speed value is less than the speed threshold (p1226) or when the monitoring time (p1227) that started when speed setpoint \leq speed threshold (p1226) has expired.
 - Switching on inhibited is activated.

Function diagrams (see SINAMICS S120/S150 List Manual)

- 6060 Torque setpoint

Overview of important parameters (see SINAMICS S120/S150 List Manual)

- p0341 motor moment of inertia
- p0342 Ratio between the total moment of inertia and that of the motor
- p1300 Open-loop/closed-loop control operating mode
- p1499 Accelerating for torque control, scaling
- p1501 BI: Change over between closed-loop speed/torque control
- p1503 CI: Torque setpoint
- p1511 CI: Supplementary torque 1
- p1512 CI: Supplementary torque 1 scaling
- p1513 CI: Supplementary torque 2
- p1514 Supplementary torque 2 scaling
- r1515 Supplementary torque total

4.8 Torque limiting

Description

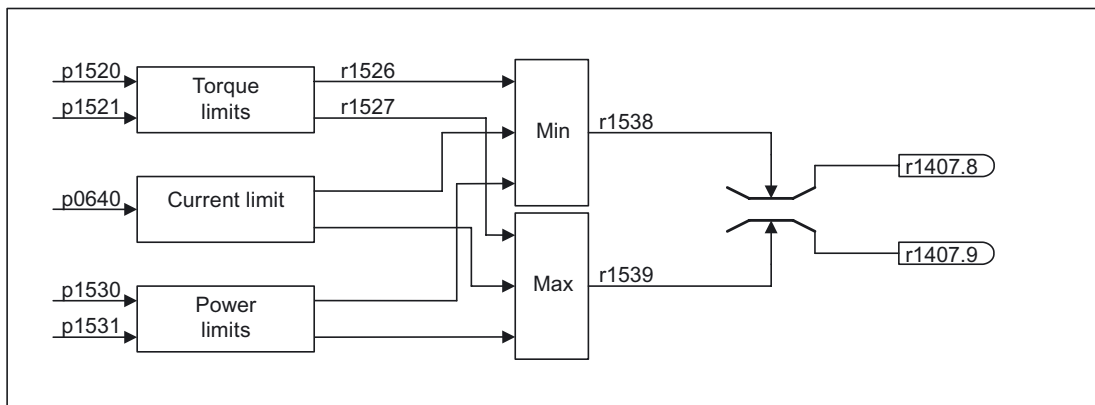


Figure 4-13 Torque limiting

The value specifies the maximum permissible torque whereby different limits can be parameterized for motor and regenerative mode.

- p0640[0...n] Current limit
- p1520[0...n] CO: Torque limit, upper/motoring
- p1521[0...n] CO: Torque limit, lower/regenerative
- p1522[0...n] CI: Torque limit, upper/motoring
- p1523[0...n] CI: Torque limit, lower/regenerative
- p1524[0...n] CO: Torque limit, upper/motoring, scaling
- p1525[0...n] CO: Torque limit, lower/regenerative scaling
- p1530[0...n] Motor mode power limit
- p1531[0...n] Regenerative mode power limit

The current active torque limit values are displayed in the following parameters:

- r0067 Maximum drive output current
- r1526 Torque limit, upper/motoring without offset
- r1527 Torque limit, lower/regenerative without offset

The following limits all apply to the torque setpoint, which is present either at the speed controller output in the case of speed control, or at the torque input in the case of torque control. The minimum/maximum value of the different limits is used in each case. The minimum value is calculated cyclically and displayed in parameters r1538 and r1539.

- r1538 CO: Upper effective torque limit
- r1539 CO: Lower effective torque limit

These cyclical values therefore limit the torque setpoint at the speed controller output/torque input or indicate the instantaneous max. possible torque. If the torque setpoint is limited in the Motor Module, this is indicated via the following diagnostic parameters:

- r1407.8 Upper torque limit active
- r1407.9 Lower torque limit active indicated.

Function diagrams (see SINAMICS S120/S150 List Manual)

- 6060 Torque setpoint
- 6630 Upper/lower torque limit
- 6640 Current/power/torque limits

4.9 Vdc control

Description

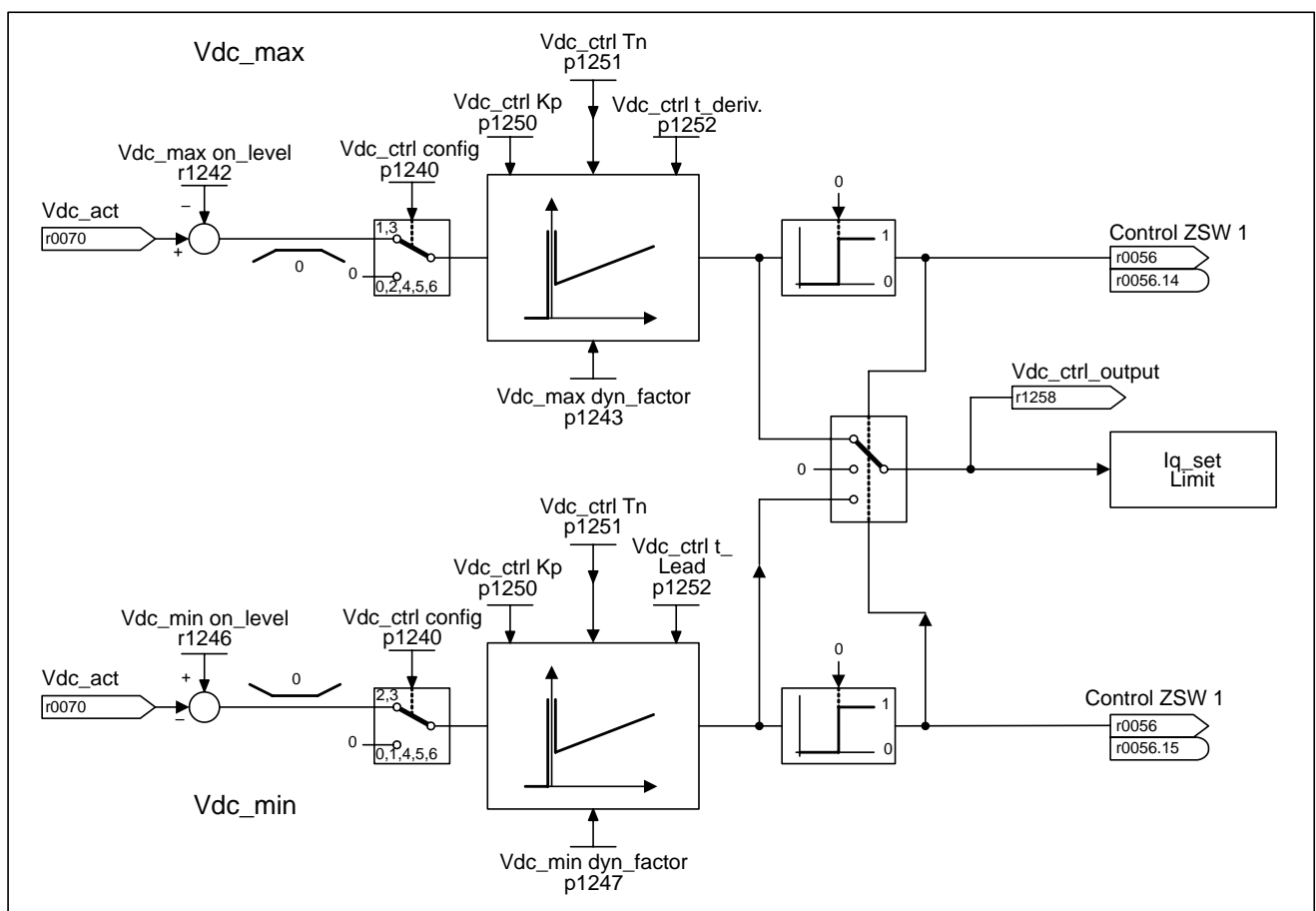


Figure 4-14 Vdc control vector

The "Vdc control" function can be activated using the appropriate measures if an overvoltage or undervoltage is present in the DC link.

- Overvoltage in the DC link
 - Typical cause
The drive is operating in regenerative mode and is supplying too much energy to the DC link.
 - Remedy
Reduce the regenerative torque to maintain the DC link voltage within permissible limits. With the Vdc controller activated, the converter may automatically extend the ramp down time of a drive if the shutdown supplies too much energy to the DC link.
- Undervoltage in the DC link
 - Typical cause
Failure of the supply voltage or supply for the DC link.
 - Remedy
Specify a regenerative torque for the rotating drive to compensate the existing losses, thereby stabilizing the voltage in the DC link (kinetic buffering).

Properties

- Vdc control
 - This comprises Vdc_max control and Vdc_min control (kinetic buffering), which are independent of each other.
 - Joint PI controller. The dynamic factor is used to set Vdc_min and Vdc_max control independently of each other.
- Vdc_max control
 - This function can be used to control momentary regenerative load without shutdown using "overvoltage in the DC link".
 - Vdc_max control is only recommended with a supply without active closed-loop control for the DC link and without feedback.
- Vdc_min control (kinetic buffering)
 - With this function, the kinetic energy of the motor is used for buffering the DC link voltage in the event of a momentary power failure, thereby delaying the drive.

Description of Vdc_min control

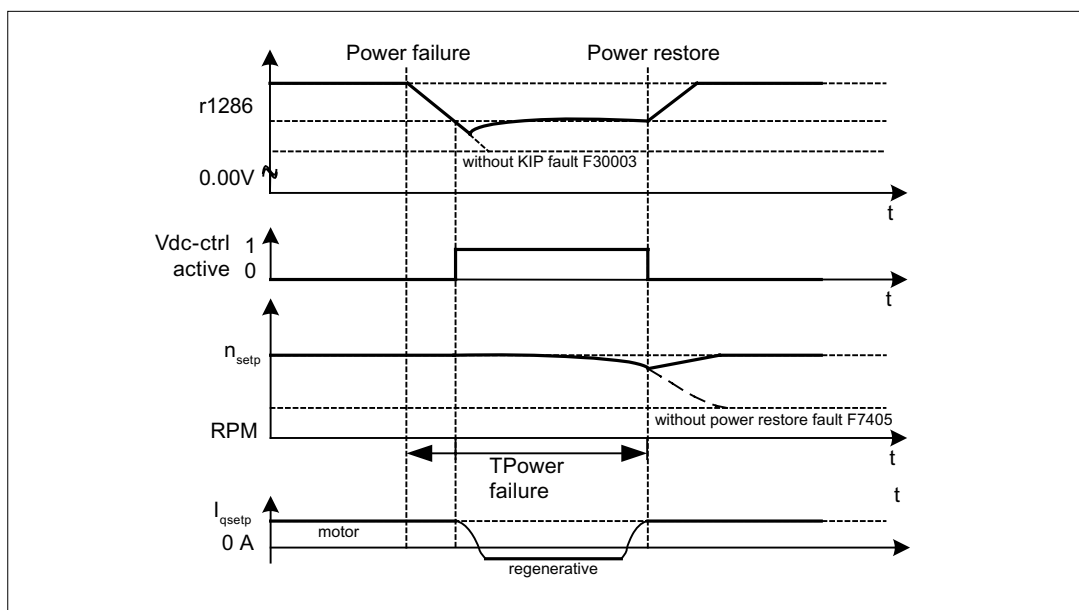


Figure 4-15 Switching Vdc_min control on/off (kinetic buffering)

In the event of a power failure, Vdc_min control is activated when the Vdc_min switch-in level is undershot. This controls the DC link voltage and maintains it at a constant level. The motor speed is reduced.

When the power supply is restored, the DC link voltage increases again and Vdc_min control is deactivated at 5 % above the Vdc_min switch-in level. The motor continues operating normally.

If the power supply is not re-established, the motor speed continues to drop. When the threshold in p1257 is reached, this results in a response in accordance with p1256.

Once the time threshold (p1255) has elapsed without the line voltage being re-established, a fault is triggered (F07406), which can be parameterized as required (factory setting: OFF3).

The Vdc_min controller can be activated for a drive. Other drives can participate in supporting the DC link, by transferring a scaling of their speed setpoint from the controlling drive via BICO interconnection.

Note

You must make sure that the converter is not disconnected from the power supply. It could become disconnected, for example, if the line contactor drops out. The line contactor should have an uninterruptible power supply (UPS), for example.

Description of Vdc_max control

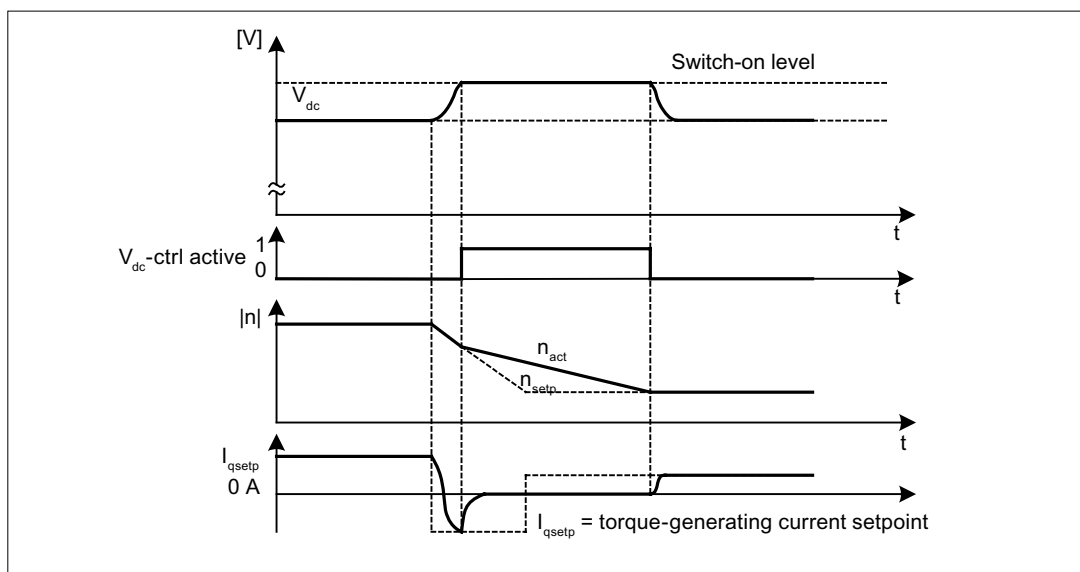


Figure 4-16 Switching Vdc_max control on/off

The switch-in level for Vdc_max control (r1242) is calculated as follows:

- When the function for automatically detecting the switch-in level is switched off (p1254=0) $r1242 = 1.15 * p0210$ (device connection voltage, DC link).
- When the function for automatically detecting the switch-in level is switched on (p1254=1) $r1242 = V_{dc_max} - 50 \text{ V}$ (V_{dc_max} : overvoltage threshold of the Motor Module)

Function diagrams (see SINAMICS S120/S150 List Manual)

- 6220 Vdc_max controller and Vdc_min controller

Overview of important parameters (see SINAMICS S120/S150 List Manual)

- p1240[0...n] Vdc controller or Vdc monitoring configuration
- r1242 Vdc_max controller switch-in level
- p1243[0...n] Vdc_max controller dynamic factor (control)
- p1245[0...n] Vdc_min controller switch-in level (kinetic buffering) (control)
- r1246 Vdc_min controller switch-in level (kinetic buffering) (control)
- p1247[0...n] Vdc_min controller dynamic factor (kinetic buffering) (control)
- p1250[0...n] Vdc controller proportional gain (control)
- p1251[0...n] Vdc controller integral time (control)
- p1252[0...n] Vdc controller derivative-action time (control)
- p1254 Vdc_max controller automatic detection ON level (control)
- p1256[0...n] Vdc_min controller response (kinetic buffering) (control)
- p1257[0...n] Vdc_min controller speed threshold (controller)
- r1258 CO: Vdc controller output (control)

4.10 Current setpoint filter

Description

The two current setpoint filters connected in series can be parameterized as follows:

- Low-pass 2nd order (PT2): -40 dB/decade
- General 2nd-order filter

STARTER converts band-stop and low-pass with reduction in the parameters of the general 2nd order filter.

- Bandstop
- Low-pass with reduction by a constant value

The phase frequency curve is shown alongside the amplitude log frequency curve. A phase shift results in a control system delay and should be kept to a minimum.

Function diagrams (see SINAMICS S120/S150 List Manual)

- 6710 Current setpoint filters

Overview of important parameters (see SINAMICS S120/S150 List Manual)

- p1655 CI: Current setpoint filter natural frequency tuning
- ...
- p1666 Current setpoint filter 2 numerator damping

4.11 Current controller adaptation

Description

Current controller adaptation can be used to adapt the P gain of the current controller and the dynamic pre-control of the i_q current controller depending on the current. The current controller adaptation is directly activated with setting p1402.2 = 1 or deactivated with p1402.2 = 0. It is automatically activated with p1959.5 (p1959.5 = 1) or deactivated (p1959.5 = 0).

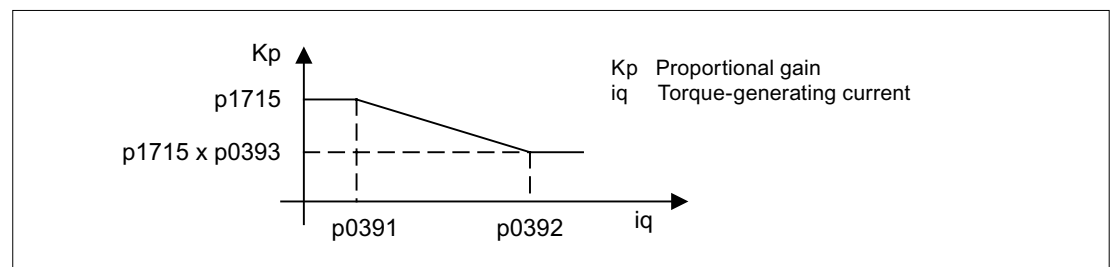


Figure 4-17 Current controller adaptation for p0393 < 1, with p0391 < p0392

or (e.g for the ASM) when the i_q points are swapped

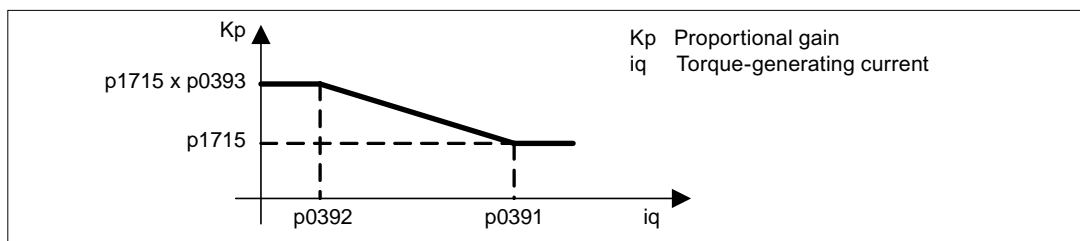


Figure 4-18 Current controller adaptation with swapped i_q interpolation points for $p0393 > 1$, with $p0392 < p0391$

Function diagrams (see SINAMICS S120/S150 List Manual)

- 6710 Current setpoint filters
- 6714 i_q and I_d controller

Overview of important parameters (see SINAMICS S120/S150 List Manual)

- p0391 Current controller adaptation starting point KP
- p0392 Current controller adaptation starting point KP adapted
- p0393 Current controller adaptation P gain scaling
- p1402[0...n] Closed-loop current control and motor model configuration
- p1703 I_{sq} current controller pre-control scaling
- p1715 Current controller P gain
- p1717 Current controller integral time
- p1959[0...n] Rotating measurement configuration

4.12 Motor data identification and rotating measurement

Description

Two motor identification options, which are based on each other, are available:

- Motor identification with p1910 (standstill measurement)
- Rotating measurement with p1960

Note

For both types of motor identification the following applies:
If there is a motor brake, then this must be open ($p1215 = 2$).

These can be selected more easily via p1900. $p1900 = 2$ selects the standstill measurement (motor not rotating). The setting $p1900 = 1$ also activates the rotating measurement, i.e. with the setting of $p1900 = 1$ and p1960 depending on the current control mode (p1300).

If a permanent-magnet synchronous motor is being used ($p0300 = 2$), then with $p1900 > 1$, the encoder adjustment ($p1990 = 1$) is automatically activated. The technique used can be set in $p1980$.

Parameter $p1960$ is set depending on $p1300$:

- $p1960 = 1$, when $p1300 = 20$ or 22 (without encoder)
- $p1960 = 2$, when $p1300 = 21$ or 23 (with encoder)

The measurements, parameterized using $p1900$ are started in the following sequence after the drive has been enabled:

- Standstill (static) measurement - after the measurement has been completed, the pulses are inhibited and parameter $p1910$ is reset to 0.
- Encoder adjustment - after the measurement has been completed, the pulses are inhibited and parameter $p1990$ is reset to 0.
- Rotating measurement - after the measurement has been completed, the pulses are inhibited and parameter $p1960$ is reset to 0.
- After all of the measurements, activated using $p1900$ have been successfully completed, then this is set to 0.

Note

To set the new controller setting permanently, the data must be saved in a non-volatile memory (see also "Parameters").

Completion of the individual identification runs can be read via parameters $r3925$ to $r3928$.

The identification runs influence only the current valid motor data set (MDS).

 DANGER

During motor identification, the drive may cause the motor to move.

The emergency OFF functions must be fully operational during commissioning. To protect the machines and personnel, the relevant safety regulations must be observed.
--

Motor identification (p1910)

Motor identification with $p1910$ is used for determining the motor parameters at standstill (see also $p1960$: speed controller optimization):

- Equivalent circuit diagram data $p1910 = 1$
- Magnetization characteristic $p1910 = 3$

For control engineering reasons, you are strongly advised to carry out motor identification because the equivalent circuit diagram data, motor cable resistance, IGBT on-state voltage, and compensation for the IGBT lockout time can only be estimated if the data on the rating plate is used. For this reason, the stator resistance for the stability of sensorless vector control or for the voltage boost in the V/f curve is very important. Motor data identification is essential if long supply cables or third-party motors are used. When motor data identification is started for the first time, the following data are determined with $p1910$ on the basis of the data on the rating plate:

4.12 Motor data identification and rotating measurement

Table 4-2 Data determined using p1910

	Induction motor	Permanent-magnet synchronous motor
p1910 = 1	<ul style="list-style-type: none"> Stator resistance (p0350) Rotor resistance (p0354) Stator leakage inductance (p0356) Rotor leakage inductance (p0358) Magnetizing inductance (p0360) Drive converter valve threshold voltage (p1825) Drive converter valve interlocking times (p1828 ... p1830) 	<ul style="list-style-type: none"> Stator resistance (p0350) Stator resistance q axis (p0356) Stator inductance d axis (p0357) Drive converter valve threshold voltage (p1825) Converter valve interlocking times (p1828 ... p1830)
p1910 = 3	<ul style="list-style-type: none"> Saturation characteristics (p0362 ... p0366) 	Not recommended Notice: When encoder adjustment is complete, the motor is automatically rotated approx. one revolution in order to determine the zero marker of the encoder.

Since the rating plate data contains the initialization values for identification, you must ensure that it is entered correctly and consistently (taking into account the connection type (star/delta)) so that the above data can be determined.

It is advisable to enter the motor supply cable resistance (p0352) before the standstill measurement (p1910) is performed, so that it can be subtracted from the total measured resistance when the stator resistance is calculated (p0350).

Entering the cable resistance improves the accuracy of thermal resistance adaptation, particularly when long supply cables are used. This governs behavior at low speeds, particularly during sensorless vector control.

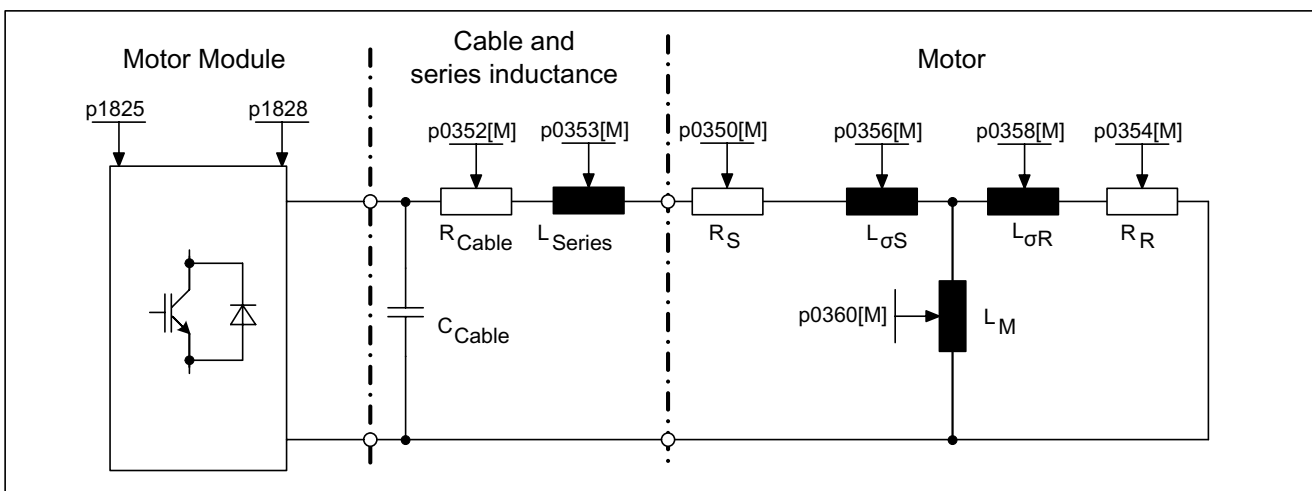


Figure 4-19 Equivalent circuit diagram for induction motor and cable

If an output filter (see p0230) or series inductance (p0353) is used, the data for this must also be entered before the standstill measurement is carried out.

The inductance value is then subtracted from the total measured value of the leakage. With sine-wave filters, only the stator resistance, valve threshold voltage, and valve interlocking time are measured.

Note

With diffusion of more than 35% to 40% of the motor nominal impedance, the dynamic response of the speed and current control is restricted to the area of the voltage limit and to field weakening mode.

Note

The standstill measurement must be carried out when the motor is cold. In p0625, enter the estimated ambient temperature of the motor during the measurement (with KTY sensor: set p0600, p0601 and read r0035). This is the reference point for the thermal motor model and thermal R_S/R_R adaptation.

In addition to the equivalent circuit diagram data, motor data identification (p1910 = 3) can be used for induction motors to determine the magnetization characteristic of the motor. Due to the higher accuracy, the magnetization characteristic should, if possible, be determined during the rotating measurement (without encoder: p1960 = 1, 3; with encoder: p1960 = 2, 4). If the drive is operated in the field-weakening range, this characteristic should be determined for vector control in particular. The magnetization characteristic can be used to calculate the field-generating current in the field-weakening range more accurately, thereby increasing torque accuracy.

Note

In comparison with the standstill measurement (p1910), for induction motors, the rotating measurement (p1960) allows the rated magnetization current and saturation characteristic to be determined more accurately.

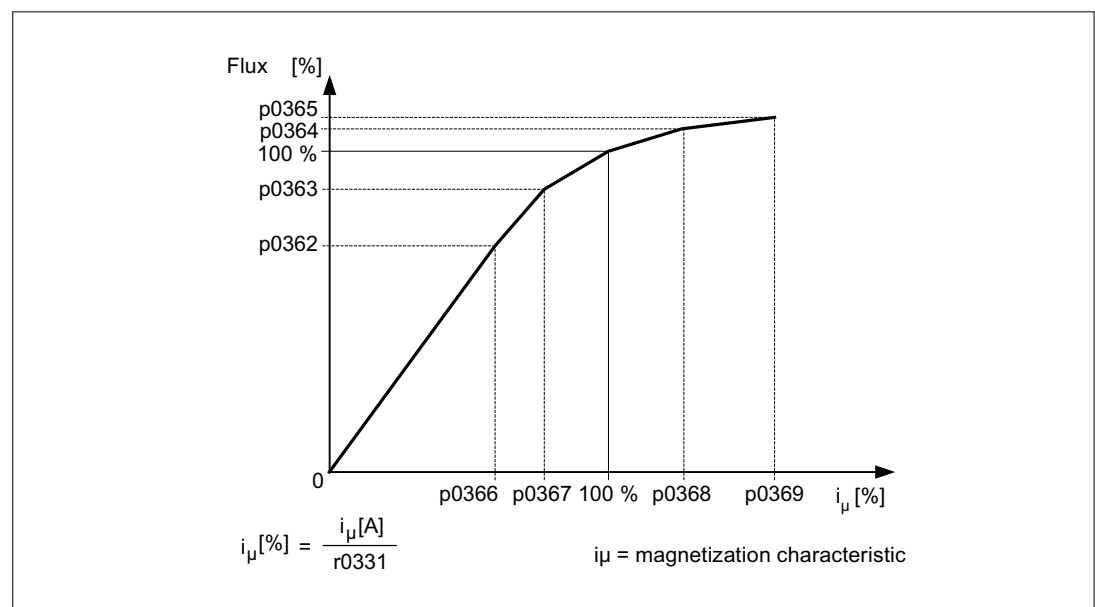


Figure 4-20 Magnetization characteristic

Note

To set the new controller setting permanently, the data must be saved in a non-volatile memory.

Carrying out motor identification

- Enter p1910 > 0. Alarm A07991 is displayed.
- Identification starts when the motor is switched on.
- p1910 resets itself to "0" (successful identification) or fault F07990 is output.
- r0047 displays the current status of the measurement.

Rotating measurement (p1960)

Rotating measurement can be activated via p1960 or p1900 = 1.

The main difference of rotating measurement is speed control optimization, with which the drive's moment of inertia is ascertained and speed controller is set. In addition, the saturation characteristic and rated magnetization current of induction motors are measured.

If the rotating measurement is not to be carried out using the speed set in p1965, this parameter can be changed before the measurement is started. Higher speeds are recommended.

The same applies to the speed in p1961 for which the saturation characteristic is determined and the encoder test is carried out.

The speed controller is set to the symmetrical optimum in accordance with dynamic factor p1967. p1967 must be set before the optimization run and only affects the calculation of the controller parameters.

If, during the measurement, it becomes clear that, with the specified dynamic factor, the drive cannot operate in a stable manner or the torque ripples are too large, the dynamic response is reduced automatically and the result displayed in r1968. The drive must also be checked to ensure that it is stable across the entire range. If necessary, the dynamic response may have to be reduced or Kp/Tn adaptation for the speed controller parameterized accordingly.

When commissioning induction machines, you are advised to proceed as follows:

- Before connecting the load, a complete "rotating measurement" (without encoder: p1960 = 1; with encoder: p1960 = 2) should be carried out. Since the induction machine is idling, you can expect highly accurate results regarding the saturation characteristic and the rated magnetization current.
- When the load is connected, speed controller optimization should be repeated because the total inertia load has changed. This is realized by selecting parameter p1960 (without encoder: p1960 = 3; with encoder: p1960 = 4).
The saturation characteristic recording is automatically deactivated in parameter p1959 during the speed optimization run.

When permanent-magnet synchronous motors are commissioned, with the load connected, the speed controller should be optimized (p1960 = 2/4).

Carrying out the rotating measurement (p1960 > 0)

The following measurements are carried out when the enable signals are set and a switch-on command is issued in accordance with the settings in p1959 and p1960.

- Encoder test
 - If a speed encoder is used, the direction of rotation and the pulse number are checked.
- Only for induction motors:
 - Measurement of the saturation characteristic (p0362 to p0369)
 - Measurement of the magnetization current (p0320) and determination of the offset voltage of the converter for offset compensation
 - Measurement of the saturation of the leakage inductance, for induction motors, and setting of the current controller adaptation (p0391...p0393)
 - This is automatically activated with 1LA1 and 1LA8 motors (p0300 = 11, 18) (see p1959.5).
- Speed controller optimization
 - p1470 and p1472, when p1960 = 1 (operation without encoder)
 - p1460 and p1462, when p1960 = 2 (operation with encoder)
 - Kp adaptation switch-off
- Acceleration pre-control setting (p1496)
- Setting for ratio between the total moment of inertia and that of the motor (p0342)

Note

To set the new controller setting permanently, the data must be saved in a non-volatile memory. Refer to Chapter "Parameters"

 DANGER

During speed controller optimization, the drive triggers movements in the motor that can reach the maximum motor speed. The emergency OFF functions must be fully operational during commissioning. To protect the machines and personnel, the relevant safety regulations must be observed.
--

Note

If speed control optimization is used for operation with encoder, then the control operating mode is automatically reset to speed control without encoder, so that the encoder test can be carried out.

Overview of important parameters (see SINAMICS S120/S150 List Manual)

- r0047 Status identification
- p1300[0...n] Open-loop/closed-loop control operating mode
- p1900 Motor data identification and rotating measurement
- r3925 Identification completion display
- r3927 MotId control word
- r3928 Rotating measurement configuration

Rotating measurement

- p0391 Current controller adaptation starting point Kp
- p0392 Current controller adaptation starting point Kp adapted
- p0393 Current controller adaptation P gain scaling
- p1959 Speed controller optimization configuration
- p1960 Rotating measurement selection
- p1961 Saturation characteristic speed for calculation
- p1965 Speed controller optimization speed
- p1967 Speed controller optimization dynamics factor
- r1968 Speed controller optimization dynamic factor current
- r1969 Speed controller optimization inertia identified
- r1973 Speed controller optimization encoder test pulse number determined
- p1980 Pole position identification technique
- p1990 Encoder adjustment selection

Motor data identification at standstill

- p1909[0...n] Motor data identification control word
- p1910 Motor data identification selection

4.13 Efficiency optimization

Description

The following can be achieved when optimizing the efficiency using p1580:

- Lower motor losses in the partial load range
- Noise in the motor is minimized

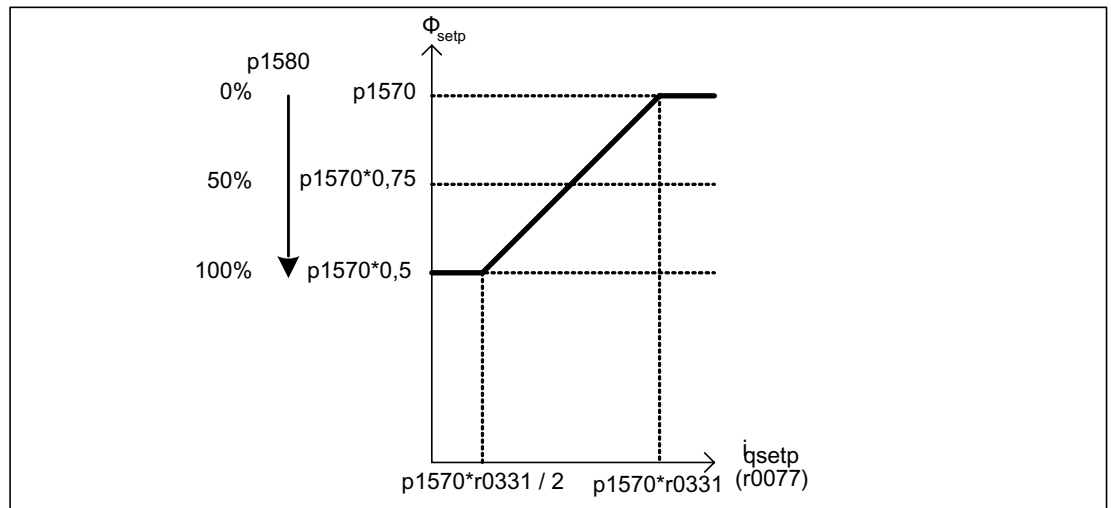


Figure 4-21 Efficiency optimization

It only makes sense to activate this function if the dynamic response requirements of the speed controller are low (e.g., pump and fan applications).

For p1580 = 100%, the flux in the motor under no-load operating conditions is reduced to half of the setpoint (reference flux) ($p1570/2$). As soon as load is connected to the drive, the setpoint (reference) flux linearly increases with the load and at approx. $r0077 = r0331 \cdot p1570$ reaches the setpoint set in p1570.

In the field-weakening range, the final value is reduced by the actual degree of field weakening. The smoothing time (p1582) should be set to approx. 100 to 200 ms. Flux differentiation (see also p1401.1) is automatically deactivated internally following magnetization.

Function diagrams (see SINAMICS S120/S150 List Manual)

- 6722 Field weakening characteristic, Id setpoint (ASM, p0300 = 1)
- 6723 Field weakening controller, flux controller for induction motor (p0300 = 1)

Overview of important parameters (see SINAMICS S120/S150 List Manual)

- r0077 CO: Current setpoints, torque-generating
- r0331 Motor magnetizing current/short-circuit current (actual)
- p1570 CO: Flux setpoint
- p1580 Efficiency is optimization

4.14 Quick magnetization for induction motors

Description

The "Quick magnetization" function for induction motors in vector control is available as of firmware version V2.6.

Application example: In crane applications, a frequency converter is often used to operate a number of motors alternately. Following a switchover to a different motor, a new data set must be loaded in the frequency converter and the motor magnetized. This can result in excessive waiting times, which can be significantly reduced by means of quick magnetization.

Features

- Application for induction motors in closed-loop vector control.
- Fast flux build-up through injection of a field-generating current at the current limit, resulting in a significant reduction in magnetizing time.
- The "flying restart" function continues working with parameter p0346 (magnetization time).
- Magnetization is not dependent on a brake configuration (p1215) as it is with servo drives.

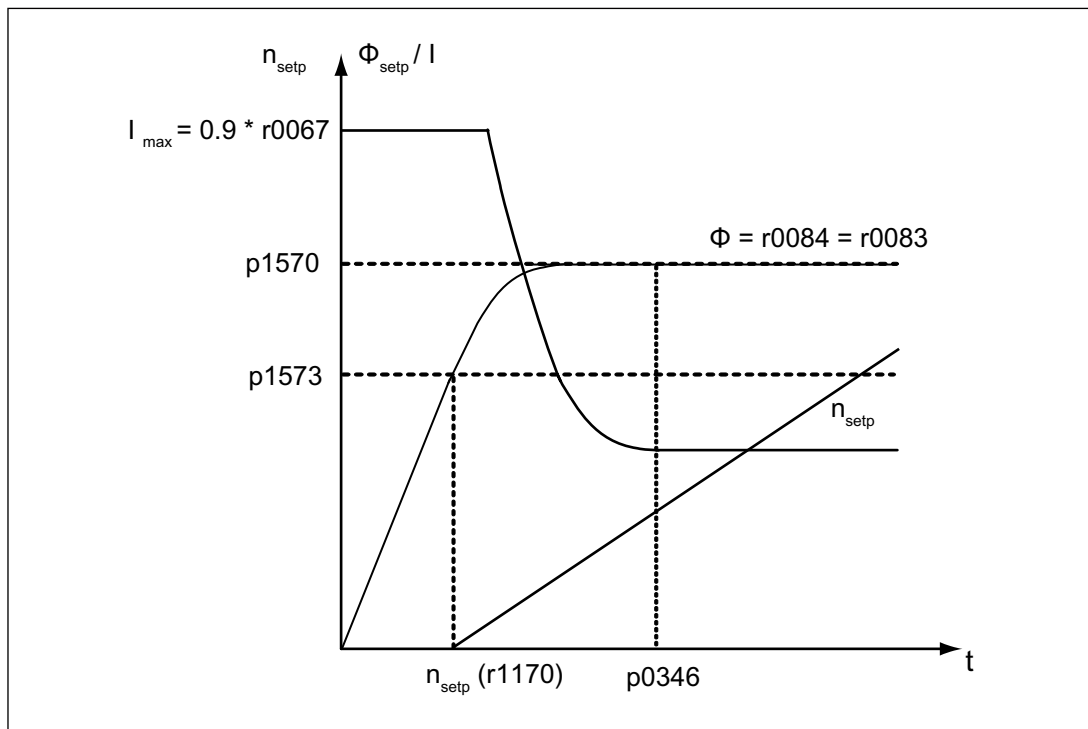


Figure 4-22 Quick magnetization characteristics

Commissioning

Parameter p1401.6 = 1 (flux control configuration) is set in order to activate quick magnetization.

This setting initiates the following sequence during motor starting:

- The field-producing current setpoint jumps to its limit value: $0.9 \cdot r0067$ (I_{max}).
- The flux increases as fast as physically possible with the specified current.
- The flux setpoint r0083 is made to follow accordingly.
- As soon as the flux threshold value programmed in p1573 is reached (default 100%, min.: 10% and max. 200%), excitation ceases and the speed setpoint is enabled. The flux threshold value must not be set too low for a large load because the torque-producing current is limited during magnetization.

Note

The flux threshold value set in parameter p1573 is effective only if the actual flux during magnetization reaches the value programmed in p1573 before the timer set in p0346 runs down.

-
- The flux is increased further until the flux setpoint in p1570 has been reached.
 - The field-producing current setpoint is reduced by means of a flux controller with P gain (p1590) and the parameterized smoothing factor (p1616).

Notes

When quick magnetization is selected (p1401.6 = 1), smooth starting is deactivated internally and alarm A07416 displayed.

When the stator resistance identification function is active (see p0621 "Identification of stator resistance after restart") is active, quick magnetization is deactivated internally and alarm A07416 displayed.

The parameter does not work when combined with the "flying restart" function (see p1200), i.e. flying restart is performed without quick magnetization.

Alarms and fault messages

A07416 Drive: Flux controller configuration

When a function controlled by parameter p1401 (flux controller configuration) and p0621 (identification of stator resistance after restart) is activated, the system checks whether any other incompatible function is already selected. If this is the case, alarm A07416 is displayed with the number of the parameter which is incompatible with the configuration parameter, i.e. p0621 or p1401.

As these are data-set-dependent parameters (p1401 is DDS-dependent and p0621 MDS-dependent), the number of the data set is also specified in the fault value.

The flux control configuration (p1401) settings are inconsistent.

Fault codes:

- 1 = quick magnetization (p1401 bit 6) and smooth starting (p1401 bit 0)
- 2 = quick magnetization (p1401 bit 6) and flux build-up control (p1401 bit 2)

3 = quick magnetization (p1401 bit 6) and Rs identification (stator resistance identification) after restart (p0621 = 2)

Remedy:

For fault code 1:

- Deactivate smooth starting: p1401 bit 0 = 0
- Deactivate quick magnetization: p1401 bit 6 = 0

For fault code 2:

- Activate flux build-up control: p1401 bit 2 = 1
- Deactivate quick magnetization: p1401 bit 6 = 0

For fault code 3:

- Change Rs identification parameter settings: p0621 = 0, 1
- Deactivate quick magnetization: p1401 bit 6 = 0

F07411 Drive: Flux controller output limited

If the current limit p0640[D] is set very low (below the rated magnetization current value in p0320[M]), the parameterized flux setpoint p1570 [D] might not be reached at all.

In this case, fault F07411 is displayed as soon as the period set in p0346 (magnetization time) is exceeded. This is generally significantly longer than the flux build-up time associated with quick magnetization.

Reaction: OFF2

Acknowledgement: Immediately

Cause: With quick magnetization configured (p1401 bit 6 = 1), the specified flux setpoint is not reached even though the current setpoint = 90 % of maximum current.

- Motor data are incorrect.
- Motor data and motor connection type (star/delta) do not match.
- Current limit in p0640 is set too low for the motor concerned.
- Induction motor (encoderless, open-loop control) at I_{2t} limit.
- Motor Module rating is too low.

Remedy:

- Correct the motor data.
- Check the motor connection type.
- Correct the current limits (p0640).
- Reduce the load on the induction motor.
- Use a larger Motor Module if necessary.
- Check the motor supply cable.
- Check the power unit.

Function diagrams (see SINAMICS S120/S150 List Manual)

- 6491 Flux control configuration
- 6722 Field weakening characteristic, Id setpoint (ASM, p0300 = 1)
- 6723 Field weakening controller, flux controller (ASM, p0300 = 1)

Overview of important parameters (see SINAMICS S120/S150 List Manual)

- p0320 [0...n] Motor rated magnetizing current/short-circuit current
- p0346 Motor excitation build-up time
- p0621[0...n] Identification of stator resistance after restart
- p0640[0...n] Current limit
- p1401[0...n] Flux control configuration
- p1570[0...n] CO: Flux setpoint
- p1573[0...n] Flux threshold value magnetizing
- p1590[0...n] Flux controller P gain
- p1616[0...n] Current setpoint smoothing time

4.15 Instructions for commissioning induction motors (ASM)

Equivalent circuit diagram for vector induction motor and cable

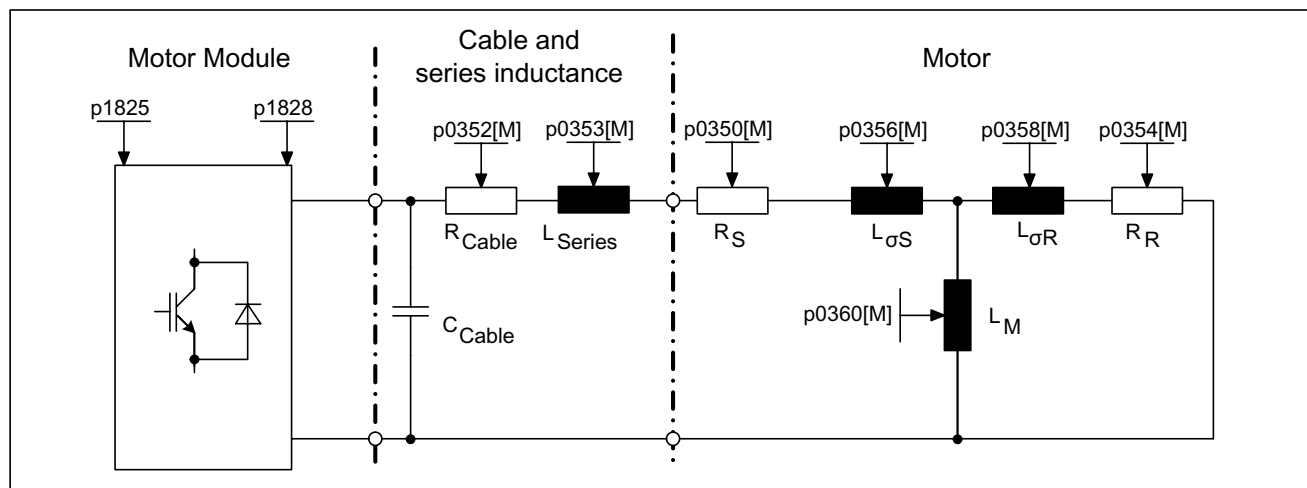


Figure 4-23 Equivalent circuit diagram for induction motor and cable

Induction motors, rotating

The following parameters can be entered in STARTER during the commissioning phase:

Table 4-3 Motor data rating plate

Parameter	Description	Remark
p0304	Rated motor voltage	If this value is not known, a "0" can also be entered. Using this value, the stator leakage inductance can be more precisely calculated (p0356, p0357).
p0305	Rated motor current	-
p0307	Rated motor power	-
p0308	Rated motor power factor	-
p0310	Rated motor frequency	-
p0311	Motor rated speed	-
p0335	Motor cooling type	-

The following parameters can be optionally entered:

Table 4- 4 Optional motor data

Parameter	Description	Remark
p0320	Motor rated magnetization current/short-circuit current	-
p0322	Maximum motor speed	-
p0341	Motor moment of inertia	-
p0342	Ratio between the total and motor moment of inertia	-
p0344	Motor weight	-
p0352	Cable resistance (component of the stator resistance)	-
p0353	Motor series inductance	-

Table 4- 5 Equivalent circuit diagram for motor data

Parameter	Description	Remark
p0350	Motor stator resistance, cold	-
p0354	Motor rotor resistance, cold	-
p0356	Motor stator inductance	-
p0358	Motor rotor leakage inductance	-
p0360	Motor magnetizing inductance	-

Features

- Field weakening up to approx. 1.2 * rated speed (this depends on the drive converter supply voltage and the motor data, also refer to supplementary conditions).
- Flying restart
- Vector closed-loop speed and torque control
- Vector V/f control for diagnostics
- Motor identification
- Speed controller optimization (rotating measurement)
- Thermal protection via temperature sensor (PTC/KTY)
- All encoders that can be connected to an SMC10, SMC20 or SMC30 are supported.
- Operation with or without encoder is possible.

Supplementary conditions

Depending on the terminal voltage and load cycle, the maximum torque can be taken from the motor data sheets / project design instructions.

Commissioning

We recommend the following points when commissioning:

- Commissioning wizard in STARTER
 - The motor identification routine and the "rotating measurement" (p1900) can be activated from the commissioning wizard in STARTER.
- Motor identification (standstill (static) measurement (p1910))
- Rotating measurement (p1960)

The following parameters can be entered in STARTER during the commissioning phase:

The optional motor data can be entered if it is known. Otherwise, they are estimated using the rating plate data or are determined using a motor identification routine or speed controller optimization.

4.16 Instructions for commissioning permanent-magnet synchronous motors

Equivalent circuit diagram for vector synchronous motor and cable

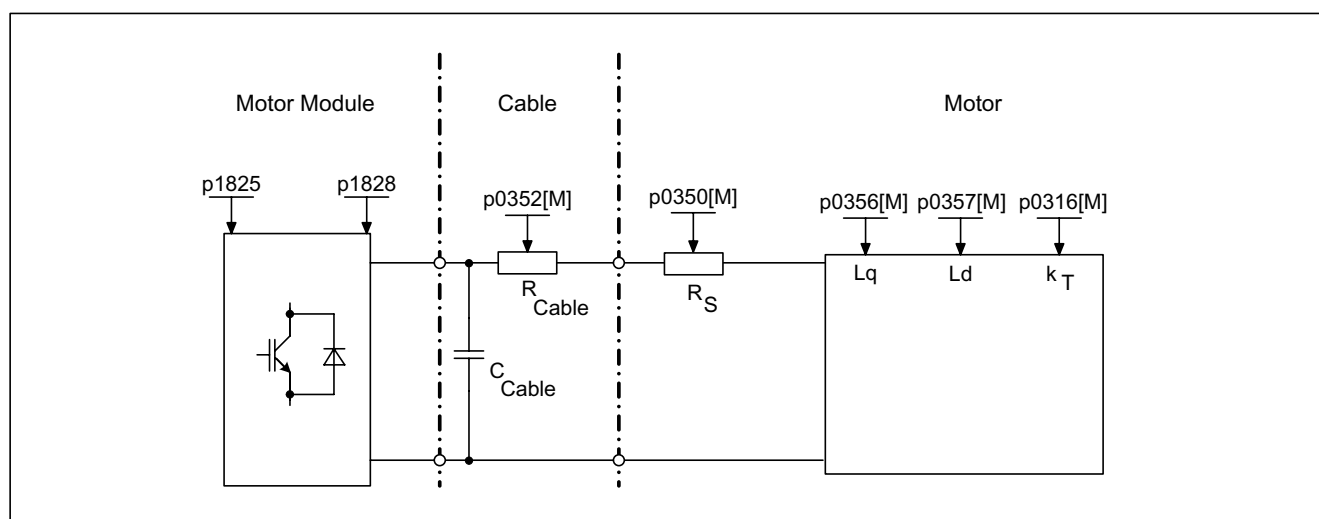


Figure 4-24 Equivalent circuit diagram for synchronous motor (vector)

Permanent-magnet synchronous motors, rotating

Permanent-magnet synchronous motors with or without encoder are supported.

The following encoder types are supported:

- Encoder with position information (e.g. without CD track or reference signal)
- Encoder without position information

4.16 Instructions for commissioning permanent-magnet synchronous motors

For operation without encoders or with encoders without position information, a pole position identification must be carried out (see the chapter on pole position identification for further details).

Typical applications include direct drives with torque motors, which are characterized by high torque at low speeds. When these drives are used, gear units and mechanical parts subject to wear can be dispensed with if the application allows this.

Temperature protection can be implemented using a temperature sensor (KTY/PTC). In order to achieve a high torque accuracy, we recommend that a KTY temperature sensor is used.

Table 4- 6 Motor data

Parameter	Description	Remark
p0304	Rated motor voltage	If this value is not known, a "0" can also be entered. Using this value, the stator leakage inductance can be more precisely calculated (p0356, p0357).
p0305	Rated motor current	-
p0307	Rated motor power	-
p0310	Rated motor frequency	-
p0311	Rated motor speed	-

If the torque constant k_T is not stamped on the rating plate or specified in the data sheet, you can calculate this value from the rated motor data (index n) or from the stall current I_o and stall torque M_o as follows:

$$k_T = \frac{M_N}{I_N} = \frac{P_N}{2\pi \cdot \frac{\min}{60} n_N \cdot I_N} \quad \text{or} \quad k_T = \frac{M_o}{I_o}$$


Table 4- 7 Optional data

Parameter	Description	Remark
p0314	Motor pole pair number	-
p0316	Motor torque constant	-
p0320	Motor rated magnetization current/short-circuit current	This is used for the field weakening characteristic
p0322	Maximum motor speed	Maximum mechanical speed
p0323	Maximum motor current	De-magnetization protection
p0325	Motor pole position information	-
p0327	Optimum motor load angle	-
p0328	PE spindle, reluctance torque constant	-
p0329	Motor pole position identification current	-
P0341	Motor moment of inertia	For speed controller pre-control
p0342	Ratio between the total motor moment of inertia	-

4.16 Instructions for commissioning permanent-magnet synchronous motors

Table 4- 8 Equivalent circuit diagram for motor data

Parameter	Description	Remark
p0350	Motor stator resistance, cold	-
p0356	Motor stator inductance	-
p0357	Motor stator inductance, d axis	-

 WARNING
<p>As soon as the motor starts to rotate, a voltage is generated. When work is carried out on the converter, the motor must be safely disconnected. If this is not possible, the motor must be locked by a holding brake, for example.</p>

Features

- Field weakening up to approx. 1.2 * rated speed (this depends on the drive converter supply voltage and the motor data, also refer to supplementary conditions)
- Flying restart (for operation without encoder, only possible with additional VSM)
- Vector closed-loop speed and torque control
- Vector V/f control for diagnostics
- Motor identification
- Automatic rotating encoder adjustment (the zero encoder position is calibrated)
- Speed controller optimization (rotating measurement)
- Thermal protection via temperature sensor (PTC/KTY)
- All encoders that can be connected to an SMC10, SMC20 or SMC30 are supported.
- Operation with or without encoder is possible.

Supplementary conditions

- Maximum speed or maximum torque depend on the converter output voltage available and the back EMF of the motor (calculation specifications: EMF must not exceed U_{rated} converter).

- Calculating the maximum speed:

$$n_{max} = n_N \cdot \sqrt{\frac{3}{2} \cdot \frac{V_{DC,lim} \cdot I_N}{P_N}}$$

or

$$n_{max} = \frac{60s}{\min} \cdot \sqrt{\frac{3}{2} \cdot \frac{V_{DC,lim}}{2\pi \cdot k_T}}$$

$V_{DC,lim}$:

690 V devices: 1220 V

500 V devices: 1022 V

400 V devices: 820 V

Figure 4-25 Formula vector maximum speed

Calculating k_T see "Commissioning".

Note

If pulse inhibition of the converter occurs (fault or OFF2), synchronous motors can generate high terminal voltages in the field weakening range, which could lead to overvoltage in the DC link. The following possibilities exist to protect the drive system from being destroyed due to overvoltage:

1. Restrict (p0643 = 0) maximum speed (p1082)
2. External voltage limiter or chopper or other measures appropriate to the application.

CAUTION

With p0643 = 1, it must be ensured that there is sufficiently high and suitable overvoltage protection. If necessary, system-side precautions should be taken.

- Depending on the terminal voltage and load cycle, the maximum torque can be taken from the motor data sheets / project design instructions.

Commissioning

We recommend the following points when commissioning:

- Commissioning wizard in STARTER
 - The motor identification routine and the "rotating measurement" (p1900) can be activated from the commissioning wizard in STARTER. The encoder adjustment (p1990) is automatically activated together with the motor identification routine.
- Motor identification (standstill (static) measurement (p1910))
- Encoder adjustment (p1990)

WARNING

During first commissioning and when the encoder is replaced, the encoder must be adjusted (p1990).

- Rotating measurement (p1960)

The following parameters can be entered in STARTER during the commissioning phase:

The optional motor data can be entered if it is known. Otherwise, they are estimated using the rating plate data or are determined using a motor identification routine or speed controller optimization.

4.16.1 Automatic encoder adjustment

Description

The pole wheel-oriented closed-loop control of the synchronous motor requires information about the pole wheel position angle. Automatic encoder adjustment must be used if the pole wheel position encoders are not mechanically adjusted and after a motor encoder has been replaced.

Automatic encoder adjustment only makes sense for encoders with absolute position information and/or zero mark. The following encoders are supported:

- Sin/Cos encoder with A/B-, R-track as well as with A/B-, C/D-, R-track
- Resolver
- Absolute encoder (e.g. EnDat, DRIVE-CLiQ encoder, SSI)
- Incremental encoder with zero mark

Encoder adjustment using a zero mark

If an incremental encoder with zero mark is being used, after the zero mark has been passed, the position of the zero mark can be calibrated. Commutation with the zero mark is activated via p0404.15.

Commissioning

Automatic encoder adjustment is activated with p1990 = 1. When the pulses are enabled the next time, the measurement is carried out and the angular difference determined (p1984) is entered into p0431. For p1990 = 2 the determined angular difference (p1984) is not entered into p0431 and has no effect on the closed-loop motor control. Using this function, the angular difference - entered into p0431 - can be checked. For extremely high moments of inertia, the run time can be scaled higher using p1999.

 WARNING
--

The measurement causes the motor to rotate. The motor turns through a minimum of one complete revolution.

Integration

Automatic encoder adjustment is integrated into the system in the following way:

Overview of important parameters (see SINAMICS S120/S150 List Manual)

- p0404.15 Commutation with zero mark
- p0431 Angular commutation offset
- p1990 Encoder adjustment selection
- p1999 Angular commutation offset calibration, scaling

4.16.2 Pole position identification

Description

The pole position identification routine is used to determine rotor position at start up. This is required when no pole position information is available. If, for example, incremental encoders are used or operation without encoder is employed, then pole position identification is started automatically. For operation with encoder, pole position identification can be started via $p1982 = "1"$, or via $p1780.6 = "1"$, for operation without encoder .

If possible, pole position identification should be carried out in decoupled state. If there is no large moment of inertia and there is negligible friction, then the identification can also be carried out in coupled state.

If there is negligible friction and high moment of inertia, then the dynamic response for the speed encoder can be adjusted to the moment of inertia by increasing $p1999$.

If there is high friction torque or an active load, then an adjustment is only possible in decoupled state.

Three pole position identification techniques can be selected:

- $p1980 = 1$, voltage pulsing, first harmonic
This technique also functions for magnetically isotropic motors if adequate iron saturation can be achieved.
- $p1980 = 4$, voltage pulsing, two-stage
This technique functions with motors that are magnetically anisotropic. During the measurement, the motor must be at a standstill. The measurement is carried out the next time that the pulses are enabled.

Note

Using this type of identification, the motor can emit a significant amount of noise.

- $p1980 = 10$, DC current impression
This technique functions for all motors; however, it takes more time than the measurement selected using $p1980 = 4$. During the measurement, the motor must be able to rotate. The measurement is carried out the next time that the pulses are enabled. For extremely high moments of inertia, the run time can be scaled higher using $p1999$.

 WARNING
--

The measurement can electrically trigger a rotation or movement of the motor, by up to a half rotation.

Integration

The pole position identification is integrated into the system as follows:

Overview of important parameters (see SINAMICS S120/S150 List Manual)

- p0325 Motor pole position identification current 1st phase
- p0329 Motor pole position identification current
- p1780.6 Selects pole position identification PEM without an encoder
- p1980 Pole position identification technique
- p1982 Pole position identification technique
- r1984 Pole position identification angular difference
- r1985 Pole position identification saturation curve
- r1987 Pole position identification trigger curve
- p1999 Angular commutation offset calibration, scaling

4.17 Flying restart

Description

After power ON, the "flying restart" function automatically connects a Motor Module to a motor which may already be turning.

The "Flying restart" function should be activated via p1200 for loads which may coast after power interruption. This prevents sudden loads in the entire mechanics.

With an induction motor, the system waits for a demagnetization time to elapse before the search is carried out. An internal demagnetization time is calculated. A time can also be entered in p0347. The system waits for the longer of the two times to elapse.

In operation without an encoder, a search is carried out initially for the current speed. The search starts at the maximum speed plus 25%. A Voltage Sensing Module (VSM) is required for permanent-magnet synchronous motors (for additional information, refer to document: /GH1/ SINAMICS S120 Equipment Manual Control Units).

When operated with an encoder (speed actual value is sensed), the search phase is eliminated.

For an induction motor, immediately after the speed has been determined, magnetization starts (p0346).

The current speed setpoint in the ramp-function generator is then set to the current actual speed value.

The ramp-up to the final speed setpoint starts with this value.

Application example: After a power failure, a fan drive can be quickly reconnected to the running fan motor by means of the "flying restart" function.

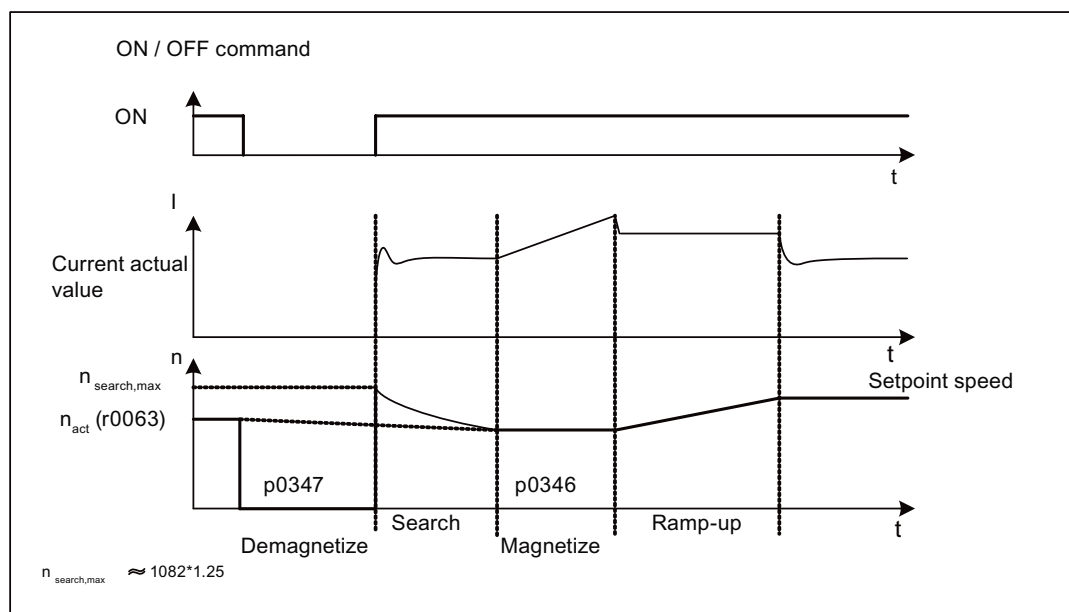


Figure 4-26 Flying restart, example of induction motor without encoder

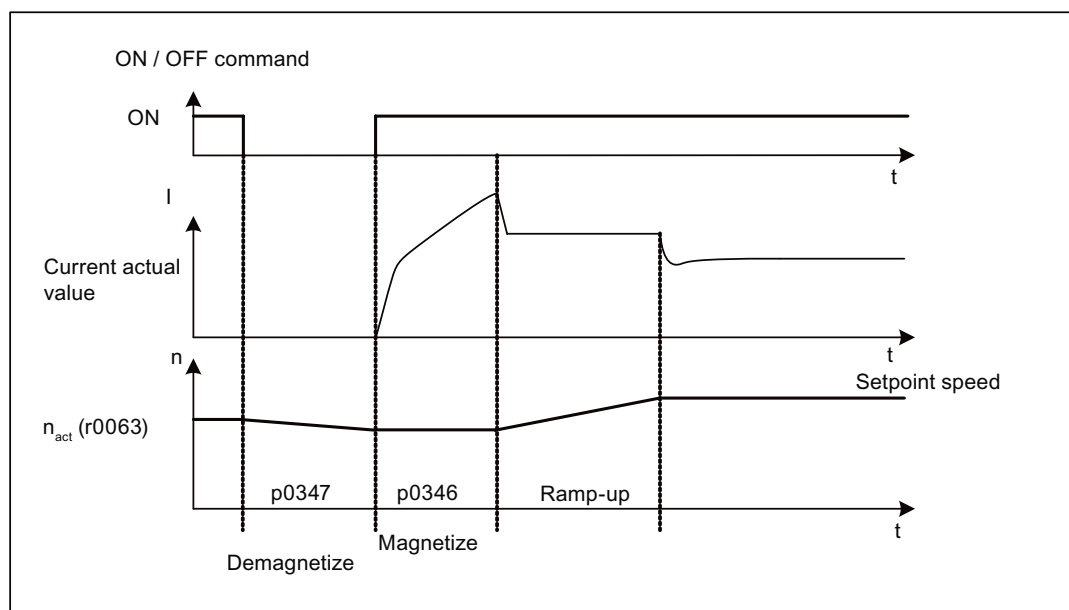


Figure 4-27 Flying restart, example of induction motor with encoder

**WARNING**

When the flying restart (p1200) function is active, the drive may still be accelerated by the detection current despite the fact that it is at standstill and the setpoint is 0!

For this reason, entering the area around the drive when it is in this condition can cause death, serious injury, or considerable material damage.

Note

With induction motors, the demagnetization time must elapse before the flying restart function is activated to allow the voltage at the motor terminals to decrease otherwise high equalizing currents can occur when the pulses are enabled due to a phase short-circuit.

Overview of important parameters (see SINAMICS S120/S150 List Manual)

- p1082[0...n] Maximum speed
- p1200[0...n] Flying restart operating mode
 - 0: Flying restart inactive
 - 1: Flying restart is always active (start in the setpoint direction).
 - 2: Flying restart is active after: power-on, fault, OFF2 (start in the setpoint direction).
 - 3: Flying restart is active after: fault, OFF2. (start in the setpoint direction).
 - 4: Flying restart is always active Start in setpoint direction **only**.
 - 5: Flying restart is active after: power-on, fault, OFF2 Start in setpoint direction **only**.
 - 6: Flying restart is active after: fault, OFF2, start in setpoint direction **only**.
- p1202[0...n] Flying restart search current
- p1203[0...n] Flying restart search rate factor
- r1204.0...13 CO/BO: Flying restart, V/f control status
- r1205.0...15 CO/BO: Flying restart, vector control status

4.18 Synchronization

Features

- For the vector mode
- For induction motors without encoder
- Line supply sensing using the Voltage Sensing Module (VSM10) connected to the infeed or vector (p3801)
- Connector inputs for the actual voltage sensing of the motor via VSM10 (p3661, r3662)
- Setting a phase difference (p3809)
- Can be activated by parameter (p3802)

Description

With the "synchronization" function, the converter phase angle can be synchronized with the line phase angle in order, for example, to switch over (bypass) directly to the mains supply afterwards. An additional application is to temporarily operate the motor from the line supply in order to be able to carry out maintenance work on the drive converter without incurring any down times.

Synchronizing is activated using parameter p3800 and either internal or external actual voltage sensing is selected. With internal actual voltage sensing (p3800 = 1), the voltage setpoints of the electrical motor model are used for the synchronization. For external actual voltage sensing (p3800 = 0), the voltage is sensed using a VSM, which is connected to the line phases. The voltage values must be transferred to the synchronization via connectors r3661 and r3662.

Prerequisite

- Firmware version \geq V2.4
- Drive object, vector/infeed with connected VSM10
- Induction motor without encoder
- Vector control

Function diagrams (see SINAMICS S120/S150 List Manual)

- 7020 Synchronization

Overview of important parameters (see SINAMICS S120/S150 List Manual)

- p3800 Sync-line-drive activation
- p3801 Sync-line-drive object number
- p3802 BI: Sync-line-drive enable
- r3803 CO/BO: Sync-line-drive control word
- r3804 CO: Sync-line-drive target frequency
- r3805 CO: Sync-line-drive frequency difference
- r3819 CO/BO: Status word, synchronizing

4.19 Use of the Voltage Sensing Module in vector drives

Description

The Voltage Sensing Module (VSM) must be used for the following applications in control types vector and V/f:

- Synchronization
With the "synchronization" function, the converter phase angle can be synchronized with the line phase angle in order, for example, to switch over (bypass) directly to the mains supply afterwards. A further application is to temporarily operate the motor from the line supply in order to be able to carry out maintenance work on the drive converter without switching off the plant.
For external actual voltage sensing (p3800 = 1), the voltage is sensed using a VSM which is connected to the line phases. The voltage values must be transferred to the synchronization via connectors r3661 and r3662.
- Flying restart
After power ON, the "flying restart" function automatically connects a Motor Module to a motor which may already be turning.
In operation without an encoder, a search is carried out first for the current speed. The search starts at the maximum speed plus 25%.
This function requires a Voltage Sensing Module (VSM) for permanent-magnet synchronous motors (for additional information, refer to document: /GH1/ Equipment Manual Control Units).

The VSM is used at the encoder end in SINAMICS S120 drives. In this case, it must always be used as a substitute for the motor encoder and is therefore inserted at the motor encoder position in the topology.

Topology view

The VSM is used on the DO VECTOR only in operating modes without encoder. For this reason, the VSM is linked into the topology at the position at which a motor encoder would normally be connected.

VSM commissioning using STARTER

The VSM for the DO VECTOR is selected with the drive wizard in STARTER. As the VSM is not assigned to the encoder data sets (EDS), it cannot be selected on the encoder side. The component number of the VSM from the current topology must be entered in parameter p0151[0,1]. This parameter assigns the VSM data set to a VSM evaluation routine. With parameter p0155[0...n] "Activate/deactivate Voltage Sensing Module", it is possible to activate or deactivate the VSM explicitly as a topology component.

VSM parameters are independent of the SINAMICS data set model. A maximum of two VSMs may be used per DO VECTOR, i.e. two VSM data sets are available.

The VSM parameters of the Active Infeeds are restricted to number range 140. The VSM parameters of the DO VECTOR are in number range 150.

Identification via LED and firmware version

VSM identification via LED is activated in parameter p0154 on the DO VECTOR.

When p0154 = 1, the LED READY on the relevant VSM flashes green/orange or red/orange at a frequency of 2Hz.

The firmware version of the VSM can be displayed with parameter p0158[0,1] on the DO VECTOR.

Function diagrams (see SINAMICS S120/S150 List Manual)

- 7020 Synchronization
- 9880 VSM analog inputs
- 9886 VSM temperature evaluation
- 9887 VSM sensor monitoring KTY/PTC

Overview of important parameters (see SINAMICS S120/S150 List Manual)

- p3800[0...n] Sync-line-drive activation
- p3801[0...n] Sync-line-drive object number
- p0151[0...n] Voltage Sensing Module component number
- p0154[0...n] Voltage Sensing Module identification via LED
- p0155[0...n] Activate/deactivate Voltage Sensing Module
- p0158[0...n] Voltage Sensing Module firmware version

4.20 Simulation mode

4.20.1 Description

Simulation mode allows you to simulate the drive without a connected motor and without the DC link voltage. In this case, it should be noted that the simulation mode can only be activated under an actual DC link voltage of 40 V. If the voltage is higher, simulation mode is reset and fault message F07826 is output.

Simulation mode enables you to test communication with a higher-level automation system. If the drive is also to return actual values, note that it must be switched over to encoderless operation during simulation mode. This means that large parts of the SINAMICS software (e.g. setpoint channel, sequence control, communication, technology function, etc.) can be tested in advance without requiring a motor.

For units with outputs of > 75 W it is recommended to test the activation of the power semiconductors after repairs. To do so, a DC voltage < 40 V is applied to the DC link, and the possible pulse patterns must be tested by the control software.

The software must allow enabling of the pulses and the output of various frequencies. This is implemented using V/f control or encoderless closed-loop speed control.

Note

Simulation mode cannot be activated without a power unit. A power unit must be connected via DRIVE-CLiQ.

4.20.2 Features

- Automatic deactivation with a DC link voltage greater than 40 V (measurement tolerance ± 4 V) with fault message F07826 and immediate pulse inhibit (OFF2)
- Can be activated via parameter p1272
- Deactivation of line contactor activation during simulation mode
- Activation of power semi-conductor with low DC link voltage and with motor (for test purposes).
- Power unit and closed-loop control can be simulated without a connected motor.

4.20.3 Commissioning

Simulation mode can be activated via p1272 =1. The following prerequisites must be fulfilled:

- Initial commissioning must be complete (default: Standard induction motors).
- The DC link voltage must be below 40 V (observe the tolerance of the DC link voltage sensing).

4.21 Redundance operation power units

Features

- Redundancy for up to 4 chassis power units
- Power unit can be de-activated via parameter (p0125)
- Power unit can be de-activated via binector input (p0895)

Description

Redundancy mode can be used so that operation can be continued in spite of the failure of one power unit connected in parallel.

Note

Despite this redundancy circuit, the entire plant may shut down when defects develop in one power unit (feedback effects due to absence of electrical isolation).

In order that the failed power unit can be replaced, DRIVE-CLiQ cables must be connected in a star-type configuration - it may be necessary to use a DRIVE-CLiQ HUB Module (DMC20). The failed power unit must be deactivated via p0125 or via the binector input p0895, before it is removed. When a replacement power unit has been installed it must be activated accordingly.

Requirements

- Parallel connection only works with equivalent (order number) chassis power units.
- Maximum number of parallel power units is 4
- Firmware version \geq V2.4
- Parallel connection of power units with suitable power reserves
- DRIVE-CLiQ star topology (possibly a DMC20, refer to the Equipment Manual)
- Motor with one single-winding system (p7003 = 0)
- No safe standstill

Integration

The boot function with partial topologies is integrated in the system as follows.

- p0125 Activate/de-activate power unit component
- r0126 Power unit component active/inactive
- p0895 BI: Activate/deactivate power unit component
- p7003 Par_circuit winding system

4.22 Bypass

Features

- Available for the vector mode
- Available for induction motors without encoder

Description

The bypass function controls two contactors via digital outputs of the drive converter and evaluates the feedback signals of the contactors via digital inputs (e.g. via TM31). This circuit allows the motor to either be fed from the drive converter or connected directly to the supply line. The drive converter controls the contactors; the feedback signals for the contactor states must be fed back to the drive converter.

This bypass circuit can be implemented in two ways:

- Without synchronizing the motor to the line supply and
- Synchronizing the motor to the line supply.

For all bypass versions, the following applies:

- The bypass is always switched-out when one of the control word signals "OFF2" or "OFF3" is withdrawn.
- Exception:
When required, the bypass switch can be interlocked by a higher-level control so that the drive converter can be completely powered-down (i.e. including the control electronics) while the motor is operated from the line supply. The contactor interlocking should be implemented on the plant/system side.
- When the drive converter restarts after POWER OFF, the state of the bypass contactors is evaluated. After powering up, the converter can thereby change straight into "Ready to start and bypass" status. This is only possible if the bypass is activated via a control signal, the control signal (p1266) is still present once the system has been ramped up, and the automatic restart function (p1200 = 4) is active.
- Changing the converter into "Ready to start and bypass" status after powering up, is of a higher priority than switching back on automatically.
- Monitoring of the motor temperatures using temperature sensors is active while the converter is in one of two statuses "Ready to start and bypass" or "Ready to operate and bypass".
- The two motor contactors must be designed for switching under load.

Note

The examples contained in the following descriptions are only basic circuits designed to explain the basic function. The dimensions of specific circuit configurations (contactors, protective equipment) must be calculated for specific systems.

Prerequisite

The bypass function is only possible for encoderless closed-loop speed control (p1300 = 20) or V/f control (p1300 = 0...19) and when an induction motor is used.

Commissioning the bypass function

The bypass function is part of the function module "technology controller" that can be activated when using the commissioning Wizard. Parameter r0108.16 indicates whether it has been activated.

4.22.1 Bypass with synchronization with overlap (p1260 = 1)

Description

When "bypass with synchronization with overlap (p1260 = 1)" is activated, then motor is transferred, synchronized to the line supply and is also retrieved again. During the changeover, the two contactors K1 and K2 are simultaneously closed for a time (phase lock synchronization).

A reactor is used to de-couple the drive converter from the line supply - the uk value for the reactor is 10% +/- 2%.

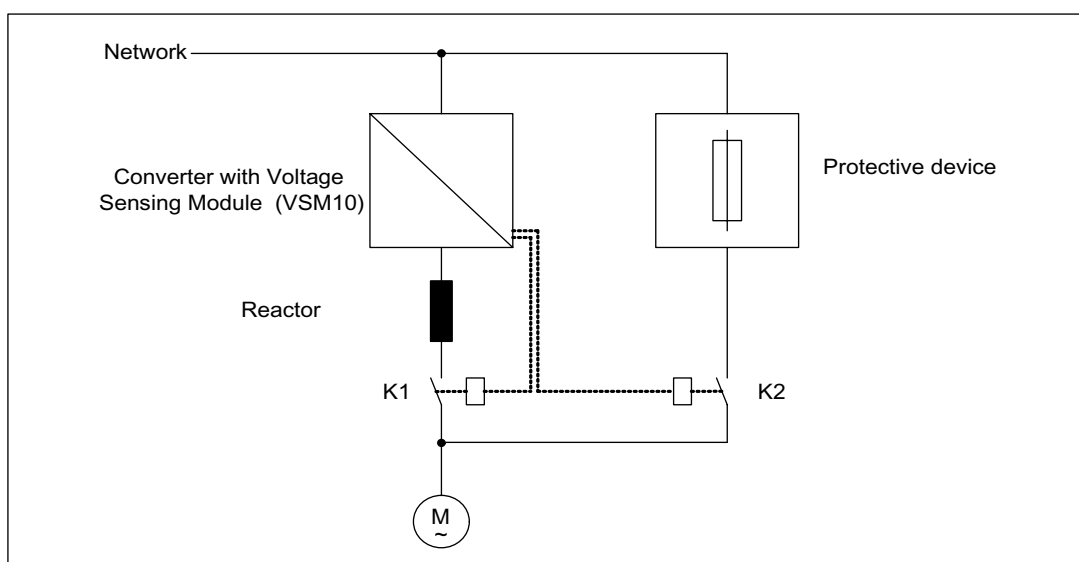


Figure 4-28 Circuit example: Bypass with synchronization with overlap

Activating

The bypass function with synchronization with overlap (p1260 = 1) can only be activated using a control signal. It cannot be activated using a speed threshold or a fault.

Example

The following parameters must be set after the bypass function with synchronization with overlap (p1260 = 1) has been activated.

Table 4-9 Parameter setting for bypass function with synchronization with overlap

Parameter	Description
p1266 =	Control signal setting when p1267.0 = 1
p1267.0 = 1 p1267.1 = 0	Bypass function is initiated by the control signal
P1269[0] =	Signal source to provide the feedback signal of contactor K1
P1269[1] =	Signal source for contactor K2 feedback
p3800 = 1	For synchronization, the internal voltages are used.
p3802 = r1261.2	Synchronizer activation is triggered by the bypass function.

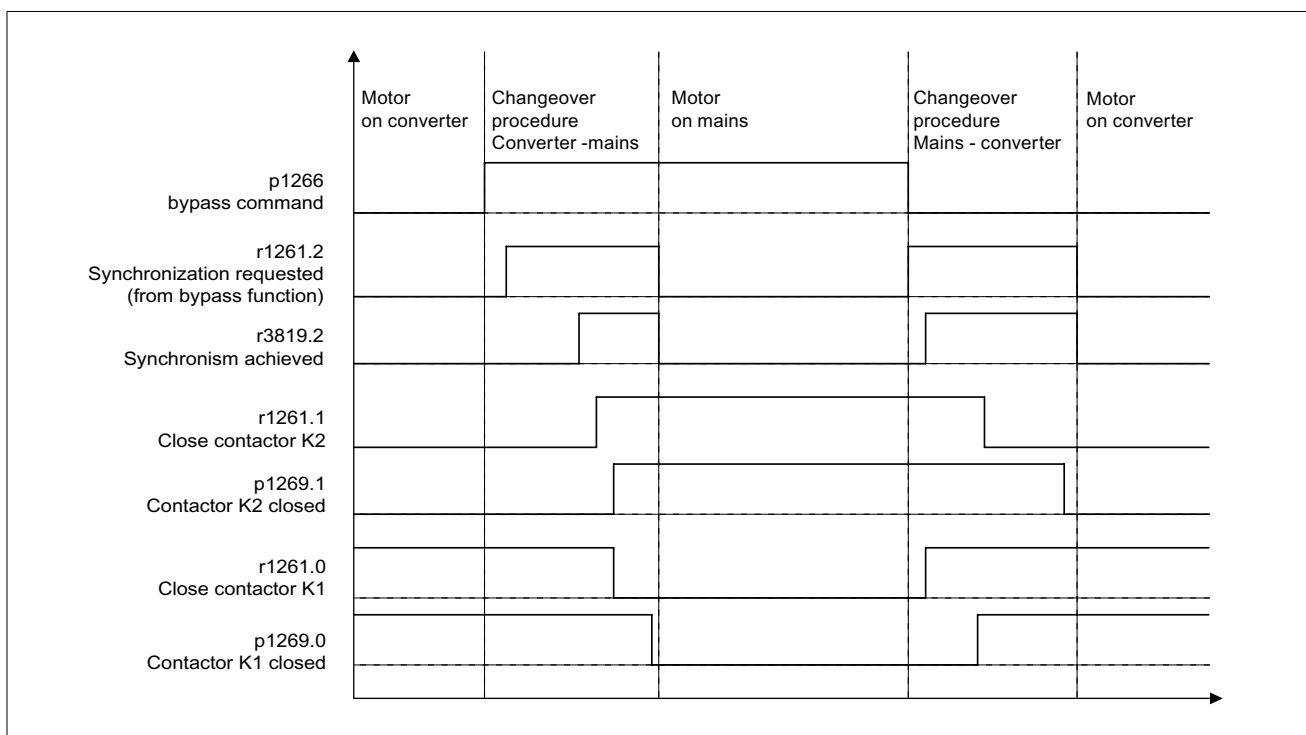


Figure 4-29 Signal diagram, bypass with synchronization with overlap

The motor is transferred to the line supply (the drive converter controls contactors K1 and K2):

- The initial state is as follows: Contactor K1 is closed, contactor K2 is open and the motor is fed from the drive converter.
- The control bit "bypass command" (p1266) is set (e.g. from the higher-level automation).
- The bypass function sets the control word bit "synchronizing" (r1261.2).
- Since the bit is set while the converter is running, the "Transfer motor to supply" synchronization process is started.

- After the motor has been synchronized to the line frequency, line voltage and line phase, the synchronizing algorithm reports this status (r3819.2).
- The bypass mechanism evaluates this signal and closes contactor K2 (r1261.1 = 1). The signal is internally evaluated - BICO wiring is not required.
- After contactor K2 has signaled back the "closed" state (r1269[1] = 1), contactor K1 is opened and the drive converter inhibits the pulses. The drive converter is in the "hot standby" state.
- If the on command is withdrawn in this phase, the drive converter changes into the basic standby state. If the appropriate contactors are being used, the drive converter is isolated from the line supply and the DC link is discharged.

Retrieving the motor from supply mode functions the same but in reverse:

At the start of the process, contactor K2 is closed and contactor K1 is opened.

- The "Command bypass" control bit is canceled (e.g. by the higher-level automation).
- The bypass function sets the control word bit "synchronizing".
- Pulses are enabled. Since "Synchronize" is set before "Pulse enable", the converter interprets this as a command to retrieve a motor from the supply and to take it over.
- After the motor has been synchronized to the line frequency, line voltage and line phase, the synchronizing algorithm reports this status.
- The bypass mechanism evaluates this signal and closes contactor K1. The signal is internally evaluated - BICO wiring is not required.
- Once contactor K1 has reported "closed" status, contactor K2 is opened and the motor is operated again on the converter.

4.22.2 Bypass with synchronization, without overlap (p1260 = 2)

Description

When "bypass with synchronization without overlap (p1260 = 2)" is activated, contactor K2 to be closed is only closed when contactor K1 has opened (anticipatory type synchronization). Phasing of the motor voltage before synchronization must be set such that there is an "initial jump" upstream of the supply to which synchronization should be carried out. This is done by setting the synchronization setpoint (p3809). As a result of the motor braking in the short time during which, both contactors are open, when closing contactor K2, a phase and frequency difference of approximately zero is obtained.

Sufficiently large moment of inertia is a precondition for sound functioning.

It is no longer necessary to use the de-coupling reactor after having determined the synchronizing setpoint (p3809).

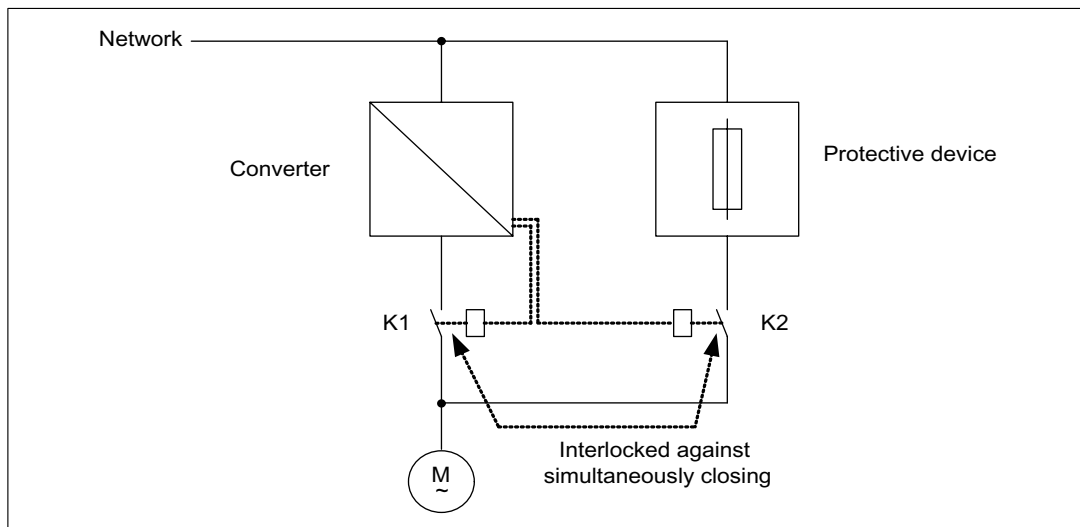


Figure 4-30 Circuit example, bypass with synchronization without overlap

Activating

The bypass function with synchronization without overlap (p1260 = 2) can only be activated using a control signal. It cannot be activated using a speed threshold or a fault.

Example

The following parameters must be set after the bypass function with synchronization without overlap (p1260 = 2) has been activated.

Table 4- 10 Parameter settings for bypass function with synchronization without overlap

Parameter	Description
p1266 =	Control signal setting when p1267.0 = 1
p1267.0 = 1 p1267.1 = 0	Bypass function is initiated by the control signal.
P1269[0] =	Signal source to provide the feedback signal of contactor K1
P1269[1] =	Signal source for contactor K2 feedback
p3800 = 1	The internal voltages are used for synchronization.
p3802 = r1261.2	Synchronizer activation is triggered by the bypass function.

4.22.3 Bypass without synchronization (p1260 = 3)

Description

When the motor is transferred to the line supply, contactor K1 is opened (after the drive converter pulses have been inhibited); the system then waits for the motor de-excitation time and then contactor K2 is closed so that the motor is directly connected to the line supply.

When the motor is switched on in a non-synchronized manner, an equalizing current flows that must be taken into account when the protective equipment is designed.

When the converter retrieves the motor from the line supply, initially contactor K2 is opened, and after the excitation time has expired, contactor K1 is closed. The drive converter then connects to the rotating motor and the motor is fed from the drive converter.

In this case, contactor K2 must be designed/selected to be able to switch inductive loads.

Contactors K1 and K2 must be interlocked so that they cannot simultaneously close.

The "flying restart" function must be activated (p1200).

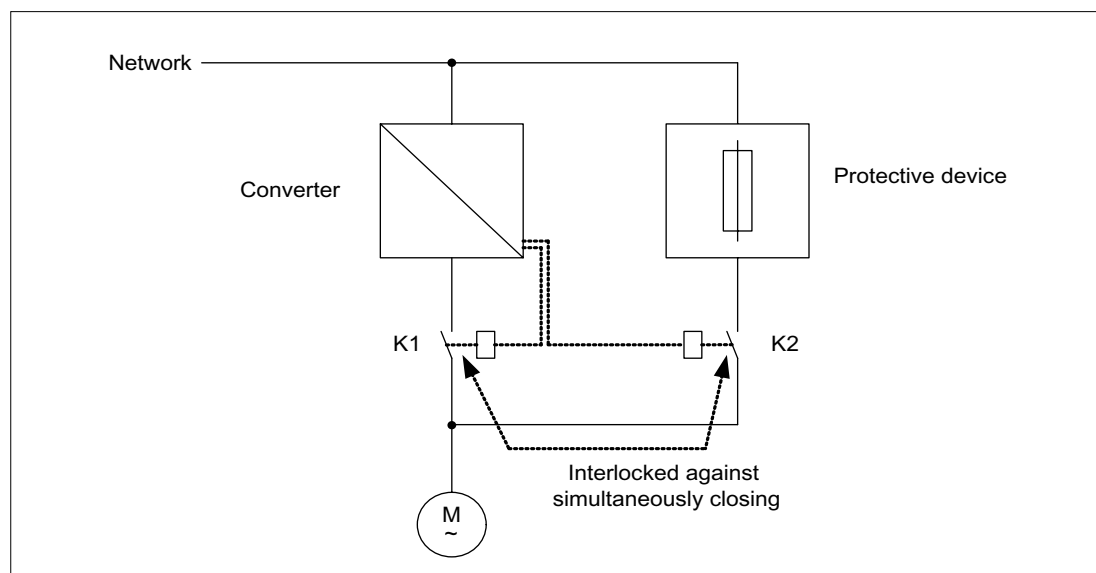


Figure 4-31 Circuit example, bypass without synchronization

Activating

The bypass without synchronization (p1260 = 3) can be triggered by the following signals (p1267):

- Bypass by means of control signal (p1267.0 = 1):
The bypass can be activated by means of a digital signal (p1266) (e.g. from a higher-level automation system). If the digital signal is withdrawn again after the debypass delay time has expired (p1263), then a changeover is made to drive converter operation.
- Bypass at speed threshold (p1267.1 = 1):
Once a certain speed is reached, the system switches to bypass (i.e. the converter is used as a start-up converter). The bypass cannot be connected until the speed setpoint is greater than the bypass speed threshold (p1265).

The system reverts to converter mode when the setpoint (on the input of the ramp-function generator, r1119) falls below the bypass speed threshold (p1265). The setpoint > comparison value condition prevents the bypass from being reactivated straight away if the actual speed is still above the bypass speed threshold (p1265) after switching back to converter operations.

The bypass time, debypass time, bypass speed variables and the command source for changing over are set using parameters.

The following signal diagram shows the timing when the bypass switch is on when activating "bypass for fault".

Example

After activating the bypass function without synchronization (p1260 = 3) the following parameters still have to be set:

Table 4- 11 Parameter setting for bypass function with synchronization with overlap

Parameter	Description
p1262 =	Bypass dead time setting
p1263 =	Debypass dead time setting
p1264 =	Bypass delay time setting
p1265 =	Speed threshold setting when p1267.1 = 1
p1266 =	Control signal setting when p1267.0 = 1
p1267.0 = p1267.1 = p1267.2 =	Trigger signal setting for bypass function
P1269[0] =	Signal source to provide the feedback signal of contactor K1
P1269[1] =	Signal source for contactor K2 feedback
p3800 = 1	The internal voltages are used for synchronization.
p3802 = r1261.2	Synchronizer activation is triggered by the bypass function.

Function diagrams (see SINAMICS S120/S150 List Manual)

- 7020 Synchronization

Overview of important parameters (see SINAMICS S120/S150 List Manual)

Bypass function

- p1260 Bypass configuration
- r1261 CO/BO: Bypass control/status word
- p1262 Bypass deadtime
- p1263 Debypass delay time
- p1264 Bypass delay time
- p1265 Bypass speed threshold
- p1266 BI: Bypass control signal
- p1267 Bypass source configuration
- p1268 BI: Bypass control signal
- p1269 BI: Bypass switch feedback signal source

Synchronization

- p3800 Sync-line-drive activation
- p3801 Sync-line-drive object number
- p3802 BI: Sync-line-drive enable
- r3803 CO/BO: Sync-line-drive control word
- r3804 CO: Sync-line-drive target frequency
- r3805 CO: Sync-line-drive frequency difference
- p3806 Sync-line-drive frequency difference threshold value
- r3808 CO: Sync-line-drive phase difference
- p3809 Sync-line-drive phase setpoint
- p3811 Sync-line-drive frequency limiting
- r3812 CO: Sync line drive correction frequency
- p3813 Sync line-drive phase synchronism, threshold value
- r3814 CO: Sync line drive voltage difference
- p3815 Sync line-drive voltage difference, threshold value
- p3816 CI: Sync line-drive voltage actual value $U_{12} = U_1 - U_2$
- p3817 CI: Sync line-drive voltage actual value $U_{23} = U_2 - U_3$
- r3819 CO/BO: Sync-line-drive status word

Vector V/f control (r0108.2 = 0)

5.1 Introduction

The simplest solution for a control procedure is the V/f curve, whereby the stator voltage for the induction motor or synchronous motor is controlled proportionately to the stator frequency. This method has proved successful in a wide range of applications with low dynamic requirements, such as:

- Pumps and fans
- Belt drives

and other similar processes.

V/f control aims to maintain a constant flux Φ in the motor. whereby the flux is proportional to the magnetization current (I_μ) or the ratio of voltage (U) to frequency (f).

$$\Phi \sim I_\mu \sim V/f$$

The torque (M) generated by the induction motors is, in turn, proportional to the product (or, more precisely, the vector product ($\Phi \times I$)) of the flux and current.

$$M \sim \Phi \times I$$

To generate as much torque as possible with a given current, the motor must function using the greatest possible constant flux. To maintain a constant flux (Φ), therefore, the voltage (V) must be changed in proportion to the frequency (f) to ensure a constant magnetization current (I_μ). V/f characteristic control is derived from these basic premises.

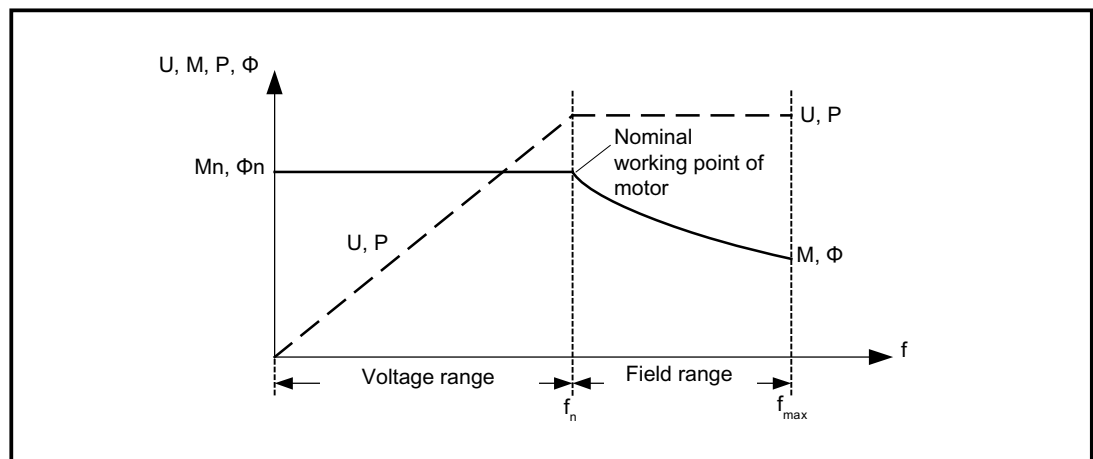


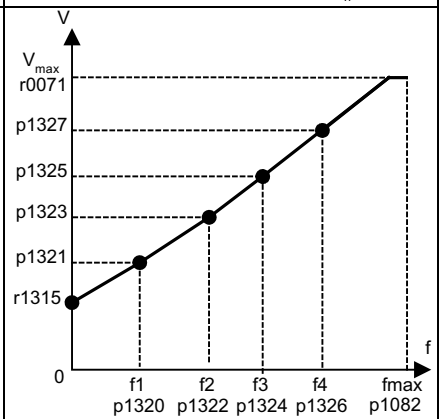
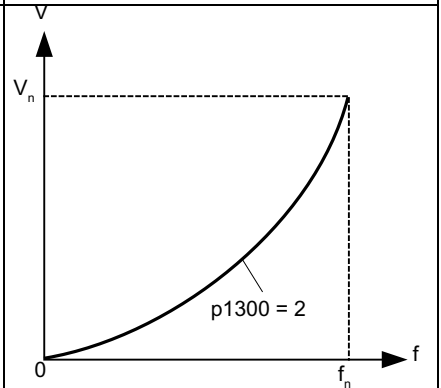
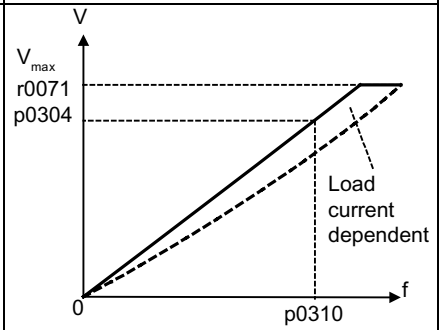
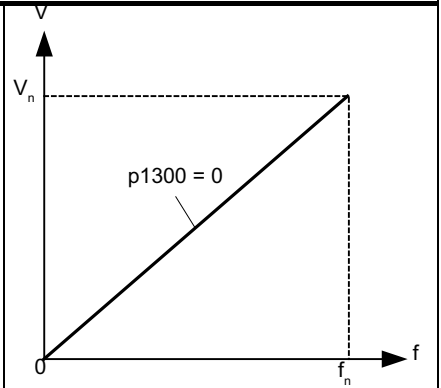
Figure 5-1 Operating areas and characteristic curves for the induction motor with converter supply

Several variations of the V/f characteristic exist, which are shown in the following table:

5.1 Introduction

Table 5- 1 V/f characteristic (p1300)

Parameter values	Meaning	Application / property
0	Linear characteristic	Standard (w/o voltage boost)
1	Linear characteristic with flux current control (FCC)	Characteristic that compensates for voltage losses in the stator resistance for static / dynamic loads (flux current control FCC). This is particularly useful for small motors, since they have a relatively high stator resistance.
2	Parabolic characteristic	Characteristic that takes into account the motor torque curve (e.g. fan/pump). a) Quadratic characteristic (f^2 characteristic) b) Energy saving because the low voltage also results in small currents and drops.
3	Programmable characteristic	Characteristic that takes into account motor/machine torque curve (e.g. synchronous motor).



Parameter values	Meaning	Application / property
5	Precise frequency drives	Characteristic that takes into account the technological particularity of an application (e.g. textile applications): a) whereby the current limitation (I _{max} controller) only affects the output voltage and not the output frequency, or b) by disabling slip compensation
6	Precise frequency drives with flux current control (FCC)	Characteristic that takes into account the technological particularity of an application (e.g. textile applications): a) whereby the current limitation (I _{max} controller) only affects the output voltage and not the output frequency, or b) by disabling slip compensation Voltage losses in the stator resistance for static / dynamic loads are also compensated (flux current control FCC). This is particularly useful for small motors, since they have a relatively high stator resistance.
19	Independent voltage setpoint	The user can define the output voltage of the Motor Module independently of the frequency using BICO parameter p1330 via the interfaces (e.g. analog input AI0 of Terminal Board 30 → p1330 = r4055[0]).

5.2 Voltage boost

With an output frequency of 0 Hz, the V/f characteristics yield an output voltage of 0 V. The voltage boost must be entered to:

- Magnetize the induction motor.
- Maintain the load.
- Compensate for the losses (ohmic losses in the winding resistors) in the system
- Generate a breakaway/acceleration/braking torque.

The voltage boost can be increased permanently (p1310) or during acceleration (p1311).

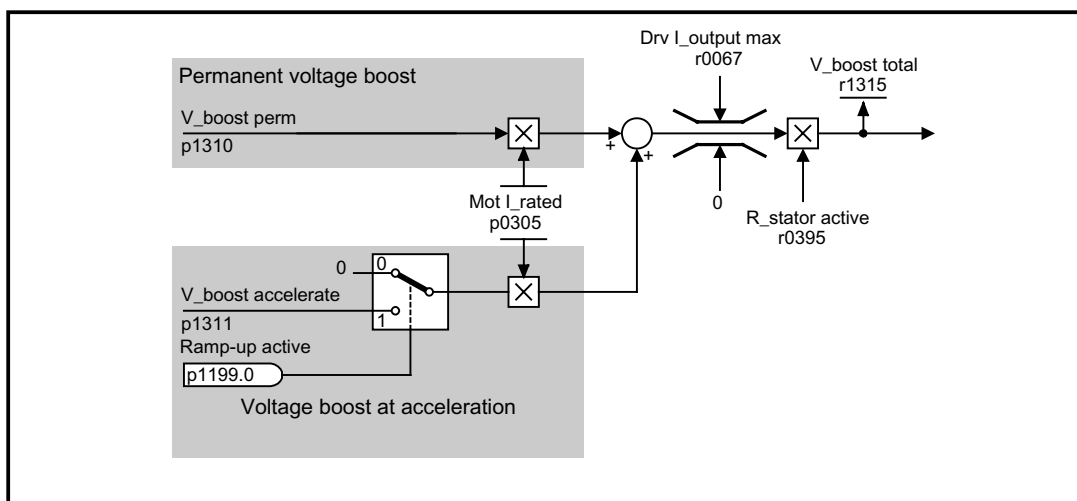


Figure 5-2 Voltage boost total

Note

The voltage boost affects all V/f characteristics (p1300).

NOTICE

If the voltage boost value is too high, this can result in a thermal overload of the motor winding.

Permanent voltage boost (p1310)

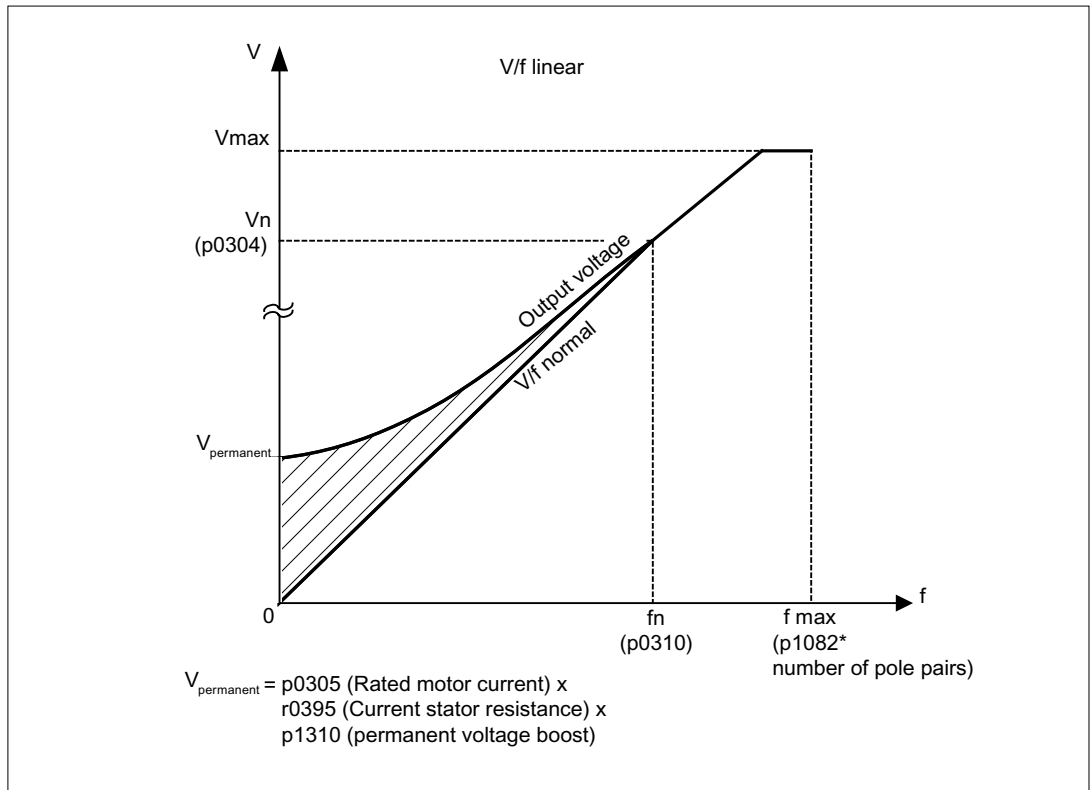


Figure 5-3 Permanent voltage boost (example: p1300 = 0 and p1310 > 0)

Voltage boost at acceleration (p1311)

Voltage boost at acceleration is effective if the ramp-function generators provide the feedback signal "ramp-up active" (r1199.0 = 1).

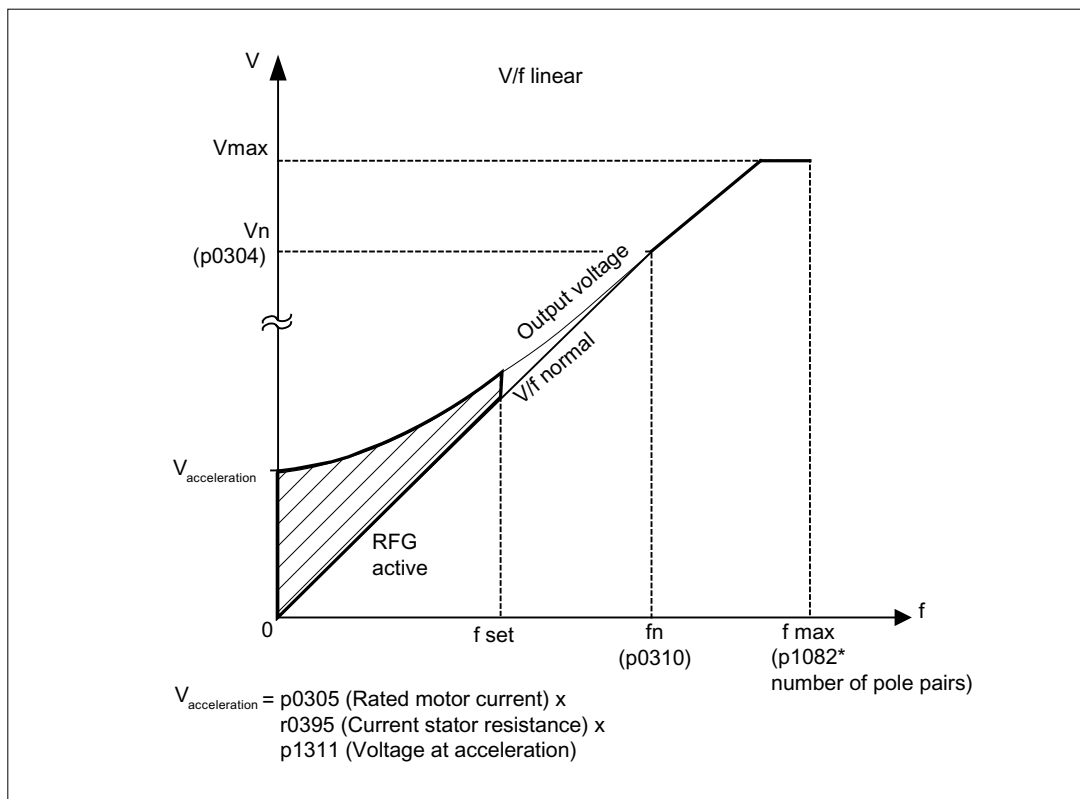


Figure 5-4 Voltage boost at acceleration (example: p1300 = 0 and p1311 > 0)

Function diagrams (see SINAMICS S120/S150 List Manual)

- 6300 V/f characteristic and voltage boost

Overview of important parameters (see SINAMICS S120/S150 List Manual)

- p0304[0...n] Rated motor voltage
- p0305[0...n] Rated motor current
- r0395[0...n] Stator resistance current
- p1310[0...n] Voltage boost permanent
- p1311[0...n] Voltage boost at acceleration
- r1315 Voltage boost total

5.3 Slip compensation

Description

Slip compensation is an additional V/f control function. It ensures that the setpoint speed n_{set} of induction motors is maintained at a constant level irrespective of the load (torque M_1 or M_2).

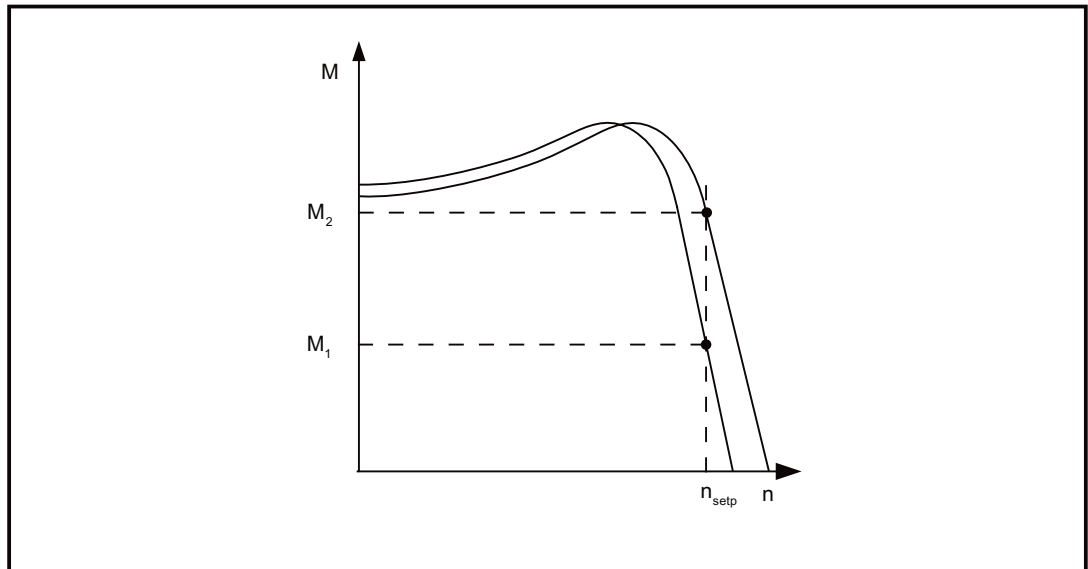


Figure 5-5 Slip compensation

Overview of important parameters (see SINAMICS S120/S150 List Manual)

- p1335[0...n] Slip compensation
 - p1335 = 0.0 %: slip compensation is deactivated.
 - p1335 = 100.0 %: slip is fully compensated.
- p1336[0...n] Slip compensation limit value
- r1337[0...n] Slip compensation actual value

5.4 Vdc control

Description

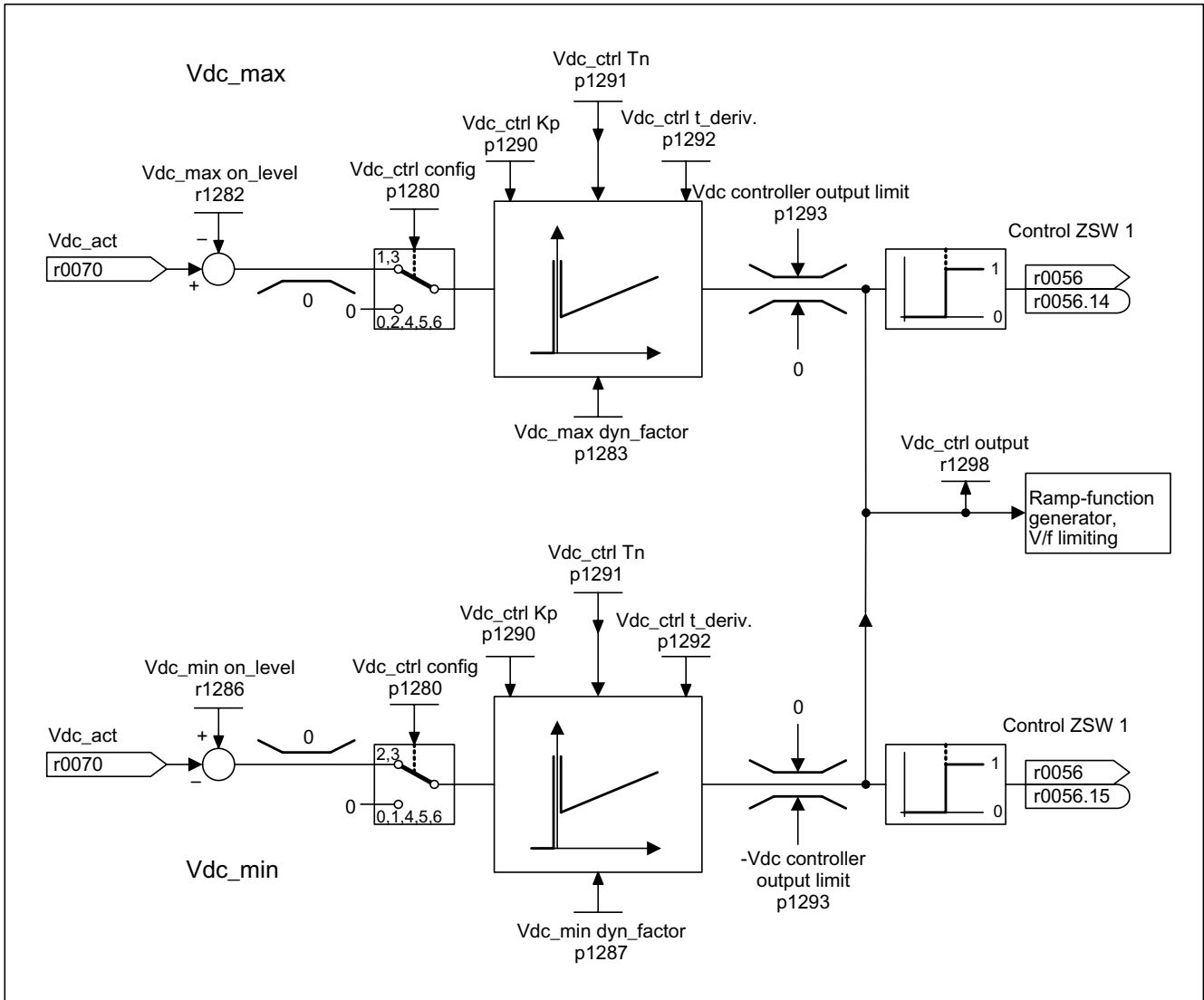


Figure 5-6 Vdc control V/f

The "Vdc control" function can be activated using the appropriate measures if an overvoltage or undervoltage is present in the DC link.

- Overvoltage in the DC link
 - Typical cause

The drive is operating in regenerative mode and is supplying too much energy to the DC link.
 - Remedy

Reduce the regenerative torque to maintain the DC link voltage within permissible limits.
- Undervoltage in the DC link
 - Typical cause

Failure of the supply voltage or supply for the DC link.
 - Remedy

Specify a regenerative torque for the rotating drive to compensate the existing losses, thereby stabilizing the voltage in the DC link (kinetic buffering).

Properties

- Vdc control
 - This comprises Vdc_max control and Vdc_min control (kinetic buffering), which are independent of each other.
 - Joint PI controllers. The dynamic factor is used to set Vdc_min and Vdc_max control to a smoother or harder setting independently of each other.
- Vdc_min control (kinetic buffering)
 - With this function, the kinetic energy of the motor is used for buffering the DC link voltage in the event of a momentary power failure, thereby delaying the drive.
- Vdc_max control
 - This function can be used to control momentary regenerative load without shutdown using "overvoltage in the DC link".
 - Vdc_max control is only recommended with a supply without active closed-loop control for the DC link and without feedback.

Description of Vdc_min control

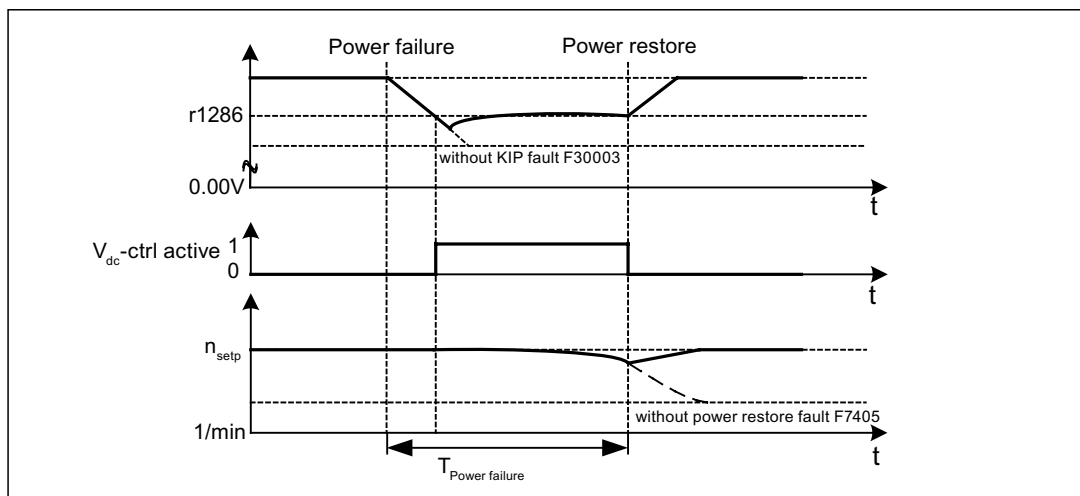


Figure 5-7 Switching Vdc_min control on/off (kinetic buffering)

In the event of a power failure, Vdc_min control is activated when the Vdc_min switch-in level is undershot. This controls the DC link voltage and maintains it at a constant level. The motor speed is reduced.

When the power supply is restored, the DC link voltage increases again and Vdc_min control is deactivated at 5 % above the Vdc_min switch-in level. The motor continues operating normally.

If the power supply is not re-established, the motor speed continues to drop. When the threshold in p1297 is reached, this results in a response in accordance with p1296.

Once the time threshold (p1295) has elapsed without the line voltage being re-established, a fault is triggered (F07406), which can be parameterized as required (factory setting: OFF3).

The Vdc_min controller can be activated for a drive. Other drives can participate in supporting the DC link, by transferring a scaling of their speed setpoint from the controlling drive via BICO interconnection.

Note

You must make sure that the converter is not disconnected from the power supply. It could become disconnected, for example, if the line contactor drops out. The line contactor should have an uninterruptible power supply (UPS), for example.

Description of Vdc_max control

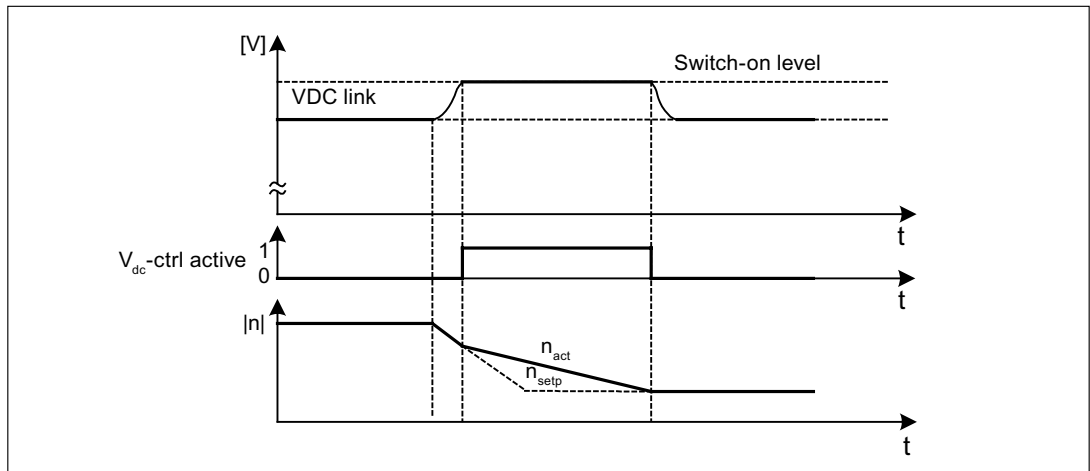


Figure 5-8 Switching Vdc_max control on/off

The switch-in level for Vdc_max control (r1282) is calculated as follows:

- When the function for automatically detecting the switch-in level is switched off (p1294=0)
 $r1282 = 1.15 * p0210$ (device connection voltage, DC link).
- When the function for automatically detecting the switch-in level is switched on (p1294=1)
 $r1282 = Vdc_max - 50 \text{ V}$ (Vdc_max: overvoltage threshold of the Motor Module)

Function diagrams (see SINAMICS S120/S150 List Manual)

- 6320 Vdc_max controller and Vdc_min controller

Overview of important parameters (see SINAMICS S120/S150 List Manual)

- p1280[0...n] Vdc controller configuration (V/f)
- r1282 Vdc_max controller switch-in level (V/f)
- p1283[0...n] Vdc_max controller dynamic factor (V/f)
- p1285[0...n] Vdc_min controller switch-in level (kinetic buffering) (V/f)
- r1286 Vdc_min controller switch-in level (kinetic buffering) (V/f)
- p1287[0...n] Vdc_min controller dynamic factor (kinetic buffering) (V/f)
- p1290[0...n] Vdc controller proportional gain (V/f)
- p1291[0...n] Vdc controller integral action time (V/f)
- p1292[0...n] Vdc controller derivative action time (V/f)
- p1293 Vdc controller output limit (V/f)
- p1294 Vdc_max controller automatic detection ON signal level (V/f)
- p1295 Vdc_min controller time threshold (V/f)
- p1296[0...n] Vdc_min controller response (kinetic buffering) (V/f)
- p1297[0...n] Vdc_min controller speed threshold (V/f)
- r1298[0...n] CO: Vdc controller output (V/f)

Basic functions

6.1 Changing over units

Description

By changing over the units, parameters and process quantities for input and output can be changed over to an appropriate system of units (US units or as per unit quantities (%)).

The following supplementary conditions apply when changing over units:

- Parameters of the rating plate of the drive converter or the motor rating plate can be changed over between SI/US units; however, a per unit representation is not possible.
- After changing over the units parameter, all parameters that are assigned to one of the units group dependent on it, are all changed over to the new system of units.
- A parameter is available to select technological units (p0595) to represent technological quantities in the technology controller.
- If the units are converted to per unit quantities and the reference quantity changed, the percentage value entered in a parameter is not changed.

Example:

- A fixed speed of 80% corresponds, for a reference speed of 1500 RPM, to a value of 1200 RPM.
- If the reference speed is changed to 3000 RPM, then the value of 80% is kept and now means 2400 RPM.

Restrictions

- When a unit changeover occurs, rounding to the decimal places is carried out. This can lead to the original value being changed by up to one decimal place.
- If a referenced form is selected and the reference parameters (e.g. p2000) are changed retrospectively, the referenced values of some of the control parameters are also adjusted to ensure that the control behavior is unaffected.
- If the reference variables (p2000 to p2007) are changed offline in STARTER, there is a risk that the parameter value ranges will be violated. In this case, appropriate fault messages will be displayed when the parameters are loaded to the drive units.

Groups of units

Every parameter that can be changed over is assigned to a units group, that, depending on the group, can be changed over within certain limits.

This assignment and the unit groups can be read for each parameter in the parameter list in the SINAMICS S120/S150 List Manual.

The unit groups can be individually switched using 4 parameters (p0100, p0349, p0505 and p0595).

Function in STARTER

To call up the function for converting units in STARTER, choose Drive object -> Configuration -> Units. The reference parameters can be found under Drive object -> Configuration -> Reference parameters

Overview of important parameters (see SINAMICS S120/S150 List Manual)

- p0010 Commissioning parameter filter
- p0100 Motor Standard IEC/NEMA
- p0349 Selecting the system of units, motor equivalent circuit diagram data
- p0505 Selecting the system of units
- p0595 Selecting technological units
- p0596 Reference quantity, technological units
- p2000 CO: Reference frequency/speed
- p2001 CO: Reference voltage
- p2002 CO: Reference current
- p2003 CO: Reference torque
- r2004 CO: Reference power
- p2005 CO: Reference angle
- p2007 CO: Reference acceleration

6.2 Reference parameters/normalizations

Description

Reference values, corresponding to 100%, are required for the statement of units as percentages. These reference values are entered in parameters p2000 to p2007. They are computed during the calculation through p0340 = 1 or in STARTER during drive configuration. After calculation in the drive, these parameters are automatically protected via p0573 = 1 from boundary violation through a new calculation (p0340). This eliminates the need to adjust the references values in a PROFIdrive controller whenever a new calculation of the reference parameters via p0340 takes place.

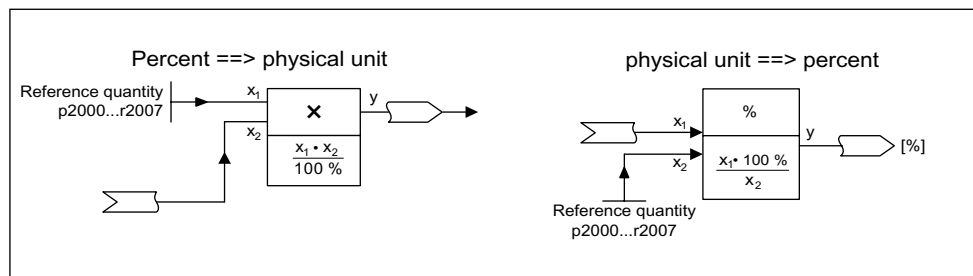


Figure 6-1 Illustration of conversion with reference values

Note

If a referenced form is selected and the reference parameters (e.g. p2000) are changed retrospectively, the referenced values of some of the control parameters are also adjusted to ensure that the control behavior is unaffected.

Using STARTER offline

Following offline drive configuration, the reference parameters are preset; they can be changed and protected under Drive -> Configuration -> "Disabled list" tab.

Note

If the reference values (p2000 to p2007) are changed offline in STARTER, it can lead to boundary violations of the parameter values, which cause fault messages during loading to the drive.

Normalization for vector object

Table 6- 1 Normalization for vector object

Size	Normalization parameter	Default at first commissioning
Reference speed	100 % = p2000	p2000 = Maximum speed (p1082)
Reference voltage	100 % = p2001	p2001 = 1000 V

6.2 Reference parameters/normalizations

Size	Normalization parameter	Default at first commissioning
Reference current	100 % = p2002	p2002 = Current limit (p0640)
Reference torque	100 % = p2003	p2003 = 2 * rated motor torque (p0333)
Reference power	100 % = r2004	r2004 = p2003 * p2000 * 2π / 60
Reference angle	100% = p2005	90°
Reference acceleration	100% = p2007	0.01 1/s ²
Reference frequency	100 % = p2000/60	-
Reference modulation depth	100 % = Maximum output voltage without overload	-
Reference flux	100 % = Rated motor flux	-
Reference temperature	100% = 100°C	-
Reference electrical angle	100 % = 90°	-

Normalization for servo object

Table 6- 2 Normalization for servo object

Size	Normalization parameter	Default at first commissioning
Reference speed	100 % = p2000	Induction motor p2000 = Maximum motor speed (p0322) Synchronous motor p2000 = Rated motor speed (p0311)
Reference voltage	100 % = p2001	p2001 = 1000 V
Reference current	100 % = p2002	p2002 = Motor limit current (p0338); when p0338 = "0", 2 * rated motor current (p0305)
Reference torque	100 % = p2003	p2003 = p0338 * p0334; when "0", 2 * rated motor torque (p0333)
Reference power	100 % = r2004	r2004 = p2003 * p2000 * π / 30
Reference angle	100% = p2005	90°
Reference acceleration	100% = p2007	0.01 1/s ²
Reference frequency	100 % = p2000/60	-
Reference modulation depth	100 % = Maximum output voltage without overload	-
Reference flux	100 % = Rated motor flux	-
Reference temperature	100% = 100°C	-
Reference electrical angle	100 % = 90°	-

Normalization for object A_Inf

Table 6- 3 Normalization for object A_Inf

Size	Normalization parameter	Default at first commissioning
Reference frequency	100 % = p2000	p2000 = p0211
Reference voltage	100 % = p2001	p2001 = r0206/r0207
Reference current	100 % = p2002	p2002 = p0207
Reference power	100 % = r2004	r2004 = p0206

Size	Normalization parameter	Default at first commissioning
Reference modulation depth	100 % = Maximum output voltage without overload	-
Reference temperature	100% = 100°C	-
Reference electrical angle	100 % = 90°	-

Normalization for object B_Inf

Table 6- 4 Normalization for object B_Inf

Size	Normalization parameter	Default at first commissioning
Reference frequency	100 % = p2000	P2000 = 50
Reference voltage	100 % = p2001	p2001 = r0206/r0207
Reference current	100 % = p2002	p2002 = p0207
Reference power	100 % = r2004	r2004 = p0206
Reference temperature	100% = 100°C	-
Reference electrical angle	100 % = 90°	-

Overview of important parameters (see SINAMICS S120/S150 List Manual)

- p0340 Automatic calculation of motor/control parameters
- p0573 Disable automatic calculation of reference values
- p2000 Reference speed reference frequency
- p2001 Reference voltage
- p2002 Reference current
- p2003 Reference torque
- r2004 Reference power
- p2005 Reference angle
- p2007 Reference acceleration

6.3 Modular machine concept

Description

The modular machine concept is based on a maximum target topology created offline in STARTER. The maximum design of a particular machine type is referred to as the maximum configuration in which all the machine components that may be used are pre-configured in the target topology. Sections of the maximum configuration can be removed by deactivating/removing drive objects (p0105 = 2).

If a component fails, the sub-topology can also be used to allow a machine to continue running until the spare part is available. In this case, however, no BICO source must be interconnected from this drive object to other drive objects.

Example of a sub-topology

The starting point is a machine created offline in STARTER for which "Drive 1" has not yet been implemented.

- Drive object "Drive 1" must be removed from the target topology via p0105 = 2 in offline mode.
- The DRIVE-CLiQ cable is reconnected from the Control Unit directly to "Drive 2".

- Download the project by choosing "Load to drive object".
- Copy from RAM to ROM.

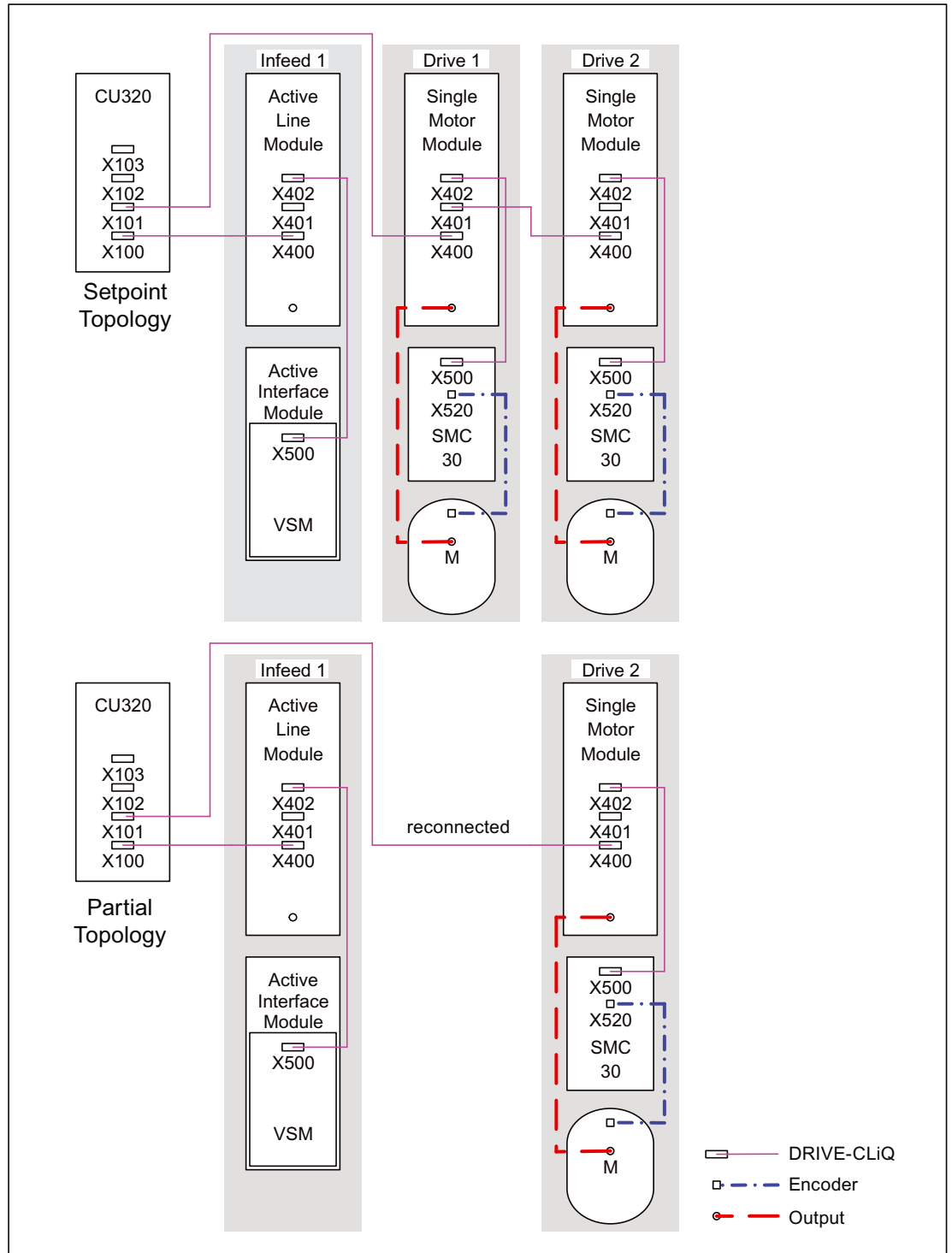


Figure 6-2 Example of a sub-topology



CAUTION

If a drive in a Safety Integrated line-up is deactivated via p0105, r9774 is not read correctly because the signals from the deactivated drive are no longer updated.

Remedy: Remove this drive from the group before you deactivate it. See also: /FH1/ SINAMICS S120 Function Manual, chapter "Safety Integrated".

Overview of important parameters (see SINAMICS S120/S150 List Manual)

- p0105 Activate/deactivate drive object
- r0106 Drive object active/inactive
- p0125 Activate/de-activate power unit component
- r0126 Power unit component active/inactive
- p0145 Activate/deactivate encoder interface
- r0146 Encoder interface active/inactive
- p9495 BICO response to de-activated drive objects
- p9496 Re-establish BICO to the now activated drive objects
- r9498[0 ... 29] BICO BI/CI parameter to de-activated drive objects
- r9499[0 ... 29] BICO BO/CO parameter to de-activated drive objects

6.4 Sinusoidal filter

Description

The sine-wave filter limits the rate of rise of voltage and the capacitive charge/discharge currents that usually occur with inverter operation. They also prevent additional noise caused by the pulse frequency. The service life of the motor is the same as that with direct line operation.

CAUTION

If a sine-wave filter is connected to the Power Module or Motor Module, it is absolutely essential to activate the filter during commissioning (p0230 = 3) to prevent it from being destroyed.

If a sine-wave filter is connected to the Power Module or Motor Module, the Power Module or Motor Module must not be operated without a connected motor because otherwise the filter can be destroyed.

Usage restrictions for sine-wave filters

The following restrictions must be taken into account when a sine-wave filter is used:

- The output frequency is limited to a maximum of 150 Hz.
- The modulation type is permanently set to space vector modulation without overmodulation. This reduces the maximum output voltage to approx. 85 % of the rated output voltage.
- Maximum permissible motor cable lengths:
 - Unshielded cables: max. 450 m
 - Shielded cables: max. 300 m
- Other restrictions: see the Equipment Manual.

Note

If a filter cannot be parameterized (p0230 < 3), this means that a filter has not been provided for the component. In this case, the drive converter must not be operated with a sine-wave filter.

Table 6- 5 Parameter settings for sine-wave filters

Parameter number	Name	Setting
p0233	Power unit motor reactor	Filter inductance
p0234	Power unit sine-wave filter capacitance	Filter capacitance
p0290	Power unit overload response	Disable pulse frequency reduction
p1082	Maximum rotational speed	Fmax filter/pole pair number
p1800	Pulse frequency	Nominal pulse frequency of the filter
p1802	Modulator modes	Space vector modulation without overmodulation

6.5 dv/dt filter plus VPL

Description

The dv/dt filter plus VPL consists of two components, the dv/dt reactor and the voltage limiting network (**V**oltage **P**eak **L**imiter), which limits voltage peaks and returns the energy to the DC link.

The dv/dt filter plus VPL is to be used for motors for which the voltage strength of the insulation system is unknown or insufficient. Standard motors of the 1LA5, 1LA6 and 1LA8 series only require them at supply voltages > 500 V +10 %.

The dv/dt filter plus VPL limit the rate of voltage rise to values < 500 V/μs and the typical voltage peaks to the values below (with motor cable lengths of < 150 m):

< 1000 V at $U_{line} < 575$ V

< 1250 V at 660 V < $U_{line} < 690$ V

 WARNING
--

When a dv/dt filter with Voltage Peak Limiter is used, the maximum permissible pulse frequency of the Power Module or Motor Module is 2.5 kHz (chassis power units up to 250 kW at 400 V) or 4 kHz (chassis power units from 250 kW to 800 kW at 400 V). If a higher pulse frequency is set, then this could destroy the dv/dt filter.
--

Restrictions

The following restrictions must be taken into account when a dv/dt filter is used:

- The output frequency is limited to a maximum of 150 Hz.
- Maximum permissible motor cable lengths:
 - Shielded cables: max. 300 m
 - Unshielded cables: max. 450 m
- Other restrictions: see the Equipment Manual.

Commissioning

The dv/dt filter must be activated when commissioning the system (p0230 = 2).

6.6 Pulse frequency wobbling

Description

The function is available for Motor Modules in chassis format with DRIVE-CLiQ (order numbers: 6SL3xxx-xxxxx-xxx3) available as of firmware version 2.6 in vector control mode.

Pulse frequency wobbling damps the spectral components, which can generate unwanted noise in the motor. Wobbling can be activated only for pulse frequencies that are lower than or equal to the current controller frequency (see also p0115[0]).

Wobbling causes the pulse frequency in a modulation interval to deviate from the setpoint frequency. This means that the actual pulse frequency might be higher than the average pulse frequency required.

A noise generator can be used to vary the pulse frequency around an average value. In this case, the average pulse frequency is equal to the setpoint pulse frequency. The pulse frequency can be varied in every current controller cycle if the cycle is constant. Current measurement errors resulting from asynchronous pulse and control intervals are compensated by a correction in the actual current value.

The number of axes that can be implemented for each CU is exactly the same for a non-wobbling unit.

Pulse frequency wobbling can be parameterized with parameter p1810 "Modulator configuration".

Parameters (see SINAMICS S120/S150 List Manual)

p1810 Modulator configuration

- Bit 0: DC link voltage limitation
Bit 0 = 0:
Voltage limitation derived from DC link voltage minimum (lower ripple in the output current; reduced output voltage).
Bit 0 = 1:
Voltage limitation derived from mean DC link voltage (increased output voltage with increasing ripple in the output current).
The selection is valid only if the DC link voltage is not compensated in the CU (Bit 1 = 0).
- Bit 1: DC link voltage compensation
Bit 1 = 0:
DC link voltage compensation in the modulator.
Bit 1 = 1:
DC link voltage compensation in the closed-loop current control (CU)
This bit can be set only in conjunction with a pulse inhibit and when r0192 bit 14 = 1 (DC link voltage can be compensated in the power unit).

- Bit 2: Activate pulse frequency wobbling
Pulse frequency wobbling is deactivated in the default setting (p1810.2 = 0). When the sine-wave filter is active (p0230 = 3 or 4), the wobbling function is locked out in order to protect the filter.
Pulse frequency wobbling can be activated (p1810.2 = 1) only if:
 - p1800 (pulse frequency) $\leq 2 * 1000/p0115[0]$ (in all indices)
 - p1802 (modulator mode) ≤ 6 (no optimized pulse patterns)
 - Motors Modules are not connected in parallel
 - A pulse inhibit is applied
 - r0192 bit 16 = 1 Gating unit with pulse frequency wobbling is available (as of firmware version 2.6)

p1811[0...n] Pulse frequency wobbling amplitude

Parameter p1811[0...n] "Pulse frequency wobbling amplitude" can be set to adjust the magnitude of variation in the pulse frequency wobble to between 0 and 20 %. The default setting is zero. With a wobble amplitude of p1811 = 0, the maximum possible pulse frequency

$p1800 = 2 * 1/\text{current controller cycle} (1000/p0115[0])$. With a wobble amplitude setting of p1811 > 0, the maximum possible pulse frequency $p1800 = \text{current controller cycle} (1000/p0115[0])$. These conditions apply to all indices.

p1811 > 0 is possible under the following conditions:

- p1810.2 (modulator configuration) = 1 (wobbling activated)
- p1800 (pulse frequency) $\leq 1000/p115[0]$
- p0230 (output filter) < 3 (no sine-wave filter)

Note

If pulse frequency wobbling is deactivated, all the indices of parameter p1811 are set to 0.

6.7 Direction reversal without changing the setpoint

Features

- Not change to the speed setpoint and actual value, the torque setpoint and actual value and the relative position change.
- Only possible when the pulses are inhibited

CAUTION

If direction reversal is configured in the data set configurations (e.g. p1821[0] = 0 and p1821[1] = 1), then when the function module basic positioner or position control is activated, the absolute adjustment is reset each time the system boots or when the direction changes (p2507), as the position reference is lost when the direction reverses.

Note

If one of the options p1959.14/15: Positive/negative direction of rotation permitted is selected in parameter p1959 in conjunction with rotational direction parameter p1821, the effects on the rotation of direction are as follows:

Positive direction of rotation (p1959.14 =1) with setting p1821= 0 or 1 respectively means: Clockwise or counter-clockwise direction respectively.

Negative direction of rotation (p1959.15 =1) with setting p1821= 1 or 0 respectively means: Counter-clockwise or clockwise direction respectively.

Description

The direction of rotation of the motor can be reversed using the direction reversal via p1821 without having to change the motor rotating field by interchanging two phases at the motor and having to invert the encoder signals using p0410.

The direction reversal via p1821 can be detected as a result of the motor direction of rotation. The speed setpoint and actual value, torque setpoint and actual value and also the relative position change remain unchanged.

The direction change can be identified as a result of the phase voltage (r0089). When the direction reverses, then the absolute position reference is also lost.

In the vector control mode, in addition, the output direction of rotation of the drive converter can be reversed using p1820. This means that the rotating field can be changed without having to interchange the power connections. If an encoder is being used, the direction of rotation must, when required, be adapted using p0410.

Overview of important parameters (see SINAMICS S120/S150 List Manual)

- r0069 Phase current, actual value
- r0089 Actual phase voltage
- p1820 Direction of rotation reversal of the output phases (vector)
- p1821 Rotational direction
- p1959[0...n] Rotating measurement configuration
- p2507 LR absolute encoder adjustment status

6.8 Automatic restart (vector, servo, infeed)

Description

The automatic restart function is used to automatically restart the drive/drive group when the power is restored after a power failure. In this case, all of the faults present are automatically acknowledged and the drive is powered-up again. This function is not only restricted to line supply faults; it can also be used to automatically acknowledge faults and to restart the motor after any fault trips. In order to allow the drive to be powered-up while the motor shaft is still rotating, the "flying restart" function should be activated using p1200.

CAUTION

Automatic restart functions in the vector, servo mode and for infeeds with closed-loop infeed control. After the line supply voltage is connected, Smart Line Modules 5kW/10kW automatically power themselves up.

 **WARNING**

If p1210 is set to the value > 1, the Line Modules / motors can start automatically once the line supply has been re-established. This is especially critical, if, after longer line supply failures, motors come to a standstill (zero speed) and it is incorrectly assumed that they have been powered-down. For this reason, entering the area around the drive when it is in this condition can cause death, serious injury, or considerable material damage.

Automatic restart mode

Table 6- 6 Automatic restart mode

p1210	Mode	Meaning
0	Disables automatic restart	Automatic restart inactive
1	Acknowledges all faults without restarting	When p1210 = 1, faults that are present are acknowledged automatically when their cause is rectified. If further faults occur after faults have been acknowledged, then these are also again automatically acknowledged. A minimum time of p1212 + 1s must expire between successful fault acknowledgement and a fault re-occurring if the signal ON/OFF1 (control word 1, bit 0) is at a HIGH signal level. If the ON/OFF1 signal is at a LOW signal level, the time between a successful fault acknowledgement and a new fault must be at least 1s. For p1210 = 1, fault F07320 is not generated if the acknowledge attempt failed (e.g. because the faults occurred too frequently).

p1210	Mode	Meaning
4	Automatic restart after line supply failure, no additional start attempts	For p1210 = 4, an automatic restart is only carried out if in addition fault F30003 occurred at the Motor Module or there is a high signal at binector input p1208[1], or in the case of an infeed drive object (x_Infeed) F06200 has occurred. If additional faults are present, then these faults are also acknowledged and when successfully acknowledged, the starting attempt is continued. When the 24 V power supply of the CU fails, this is interrupted as a line supply failure.
6	Restart after any fault with additional start attempts	When p1210 = 6, an automatic restart is carried out after any fault or when p1208[0] = 1. If the faults occur one after the other, then the number of start attempts is defined using p1211. Monitoring over time can be set using p1213.

Starting attempts (p1211) and waiting time (p1212)

p1211 is used to specify the number of starting attempts. The number is internally decremented after each successful fault acknowledgement (line supply voltage must be re-applied or the infeed signals that it is ready. Fault F07320 is signaled if the number of parameterized startup attempts is exceeded.

When p1211 = x, x + 1 starting attempts are made.

Note

A start attempt immediately starts when the fault occurs.

The faults are automatically acknowledged in intervals of half the waiting time p1212.

After successfully acknowledgment and the voltage returns, then the system is automatically powered-up again.

The starting attempt has been successfully completed if the flying restart and the motor magnetization (induction motor) have been completed (r0056.4 = 1) and one additional second has expired. The starting counter is only reset back to the initial value p1211 after this time.

If additional faults occur between successful acknowledgement and the end of the startup attempt, then the startup counter, when it is acknowledged, is also decremented.

Monitoring time line supply return (p1213)

The monitoring time starts when the faults are detected. If the automatic acknowledgements are not successful, the monitoring time runs again. If the drive has not successfully started again after the monitoring time has expired (flying restart and motor magnetization must have been completed: r0056.4 = 1), fault F07320 is output. The monitoring is de-activated with p1213 = 0.

If p1213 is set lower than the sum of p1212, the magnetization time r0346 and the additional delay time due to flying restart, then fault F07320 is generated at each restart. If, for p1210 = 1, the time in p1213 is set lower than p1212, then fault F07320 is also generated at every

restart attempt. The monitoring time must be extended if the faults that occur cannot be immediately and successfully acknowledged (e.g. when faults are permanently present).

Commissioning

1. Activating the function for vector and infeed drive object
 - Automatic restart: Set mode (p1210).
 - Flying restart: Activate function (p1200).
2. Set starting attempts (p1211).
3. Set waiting times (p1212, p1213).
4. Check function.

Overview of important parameters (see SINAMICS S120/S150 List Manual)

- r0863 CO/BO: Drive coupling status word/control word
- p1207 BI: Automatic restart - connection to the following DO
- p1208 BI: Automatic restart - infeed fault
- p1210 Automatic restart, mode
- p1211 Automatic restart, attempts to start
- p1212 Automatic restart, delay time start attempts
- p1213 Automatic restart, waiting time increment

6.9 Armature short-circuit brake, internal voltage protection, DC brake

Features

- For permanent magnet synchronous motors
 - Controlling an external armature short-circuit configuration
 - Controlling an internal armature short-circuit configuration (booksize)
 - Integrated voltage protection (booksize)

Note

The "Integrated voltage protection" (IVP) function can be used only on the following module types:

- Motor Modules in booksize format, order numbers 6SLxxxx-xxxx-xxx3,
 - Motor Modules in booksize compact format
-

- For induction motors
 - Control of a DC brake (booksize, chassis)
- Configuration via parameter (p1231)
- Status message using a parameter (r1239)

Description

The armature short-circuit, integrated voltage protection and DC brake functions cannot be simultaneously activated. The functions are selected individually via parameter p1231.

Armature short-circuit braking is only available for synchronous motors. They are mainly required when braking in a hazardous situation, if controlled braking using the drive converter is no longer possible, e.g. when the power fails, EMERGENCY OFF etc. or if a non-regenerative feedback infeed is used. In this case, the motor stator windings are short-circuited - either internally or via external braking resistors. This means that an additional resistance is inserted in the motor circuit that supports reducing the kinetic energy of the motor.

In order that the drive remains in closed-loop control during voltage dips and failures, a buffered 24 V power supply (UPS) must be used. High-speed permanent-magnet spindle drives for machine tools are a typical application for armature short-circuit braking.

The functions can be initiated with a "1" signal at binector input p1230. Initially, the pulses are canceled and then the armature is short-circuited or the voltage protection. Using r0046.4, the initiation of these functions via p1230 can be checked.

One of the advantages of an internal armature short-circuit brake is the superior response time of only a few ms. The response time of a mechanical brake is about 40 ms. With the external armature short-circuit brake, the slow contactor response causes a response in the range of > 60 ms.

The DC brake is only suitable for induction motors and is comparable with the internal armature short-circuit for synchronous motors. The DC brake works with Motor Modules of both booksize or chassis type.

External armature short-circuit braking

The external armature short-circuit is activated via p1231 = 1 (with contactor feedback signal) or p1231 = 2 (without contactor feedback signal). It is initiated when the pulses are canceled.

This function controls an external contactor via output terminals, which then short-circuits the motor through resistors when the pulses are canceled. Armature short-circuit braking has the advantage with respect to a mechanical brake that at the start of braking (at a high speed), the braking effect is initially high. However, at lower speeds, the braking effect is significantly decreases - this is the reason that we recommend a combination with a mechanical brake.

A prerequisite for the use of the external armature short-circuit is:

- One of the following motor types was parameterized:
 - Rotating permanent-magnet synchronous motor (p0300 = 2xx)
 - Linear permanent-magnet synchronous motor (p0300 = 4xx)

In case of incorrect parameterization (e.g. induction motor and external armature short-circuit selected), a fault message 7906 "Armature short-circuit / DC brake parameterization error" is generated.

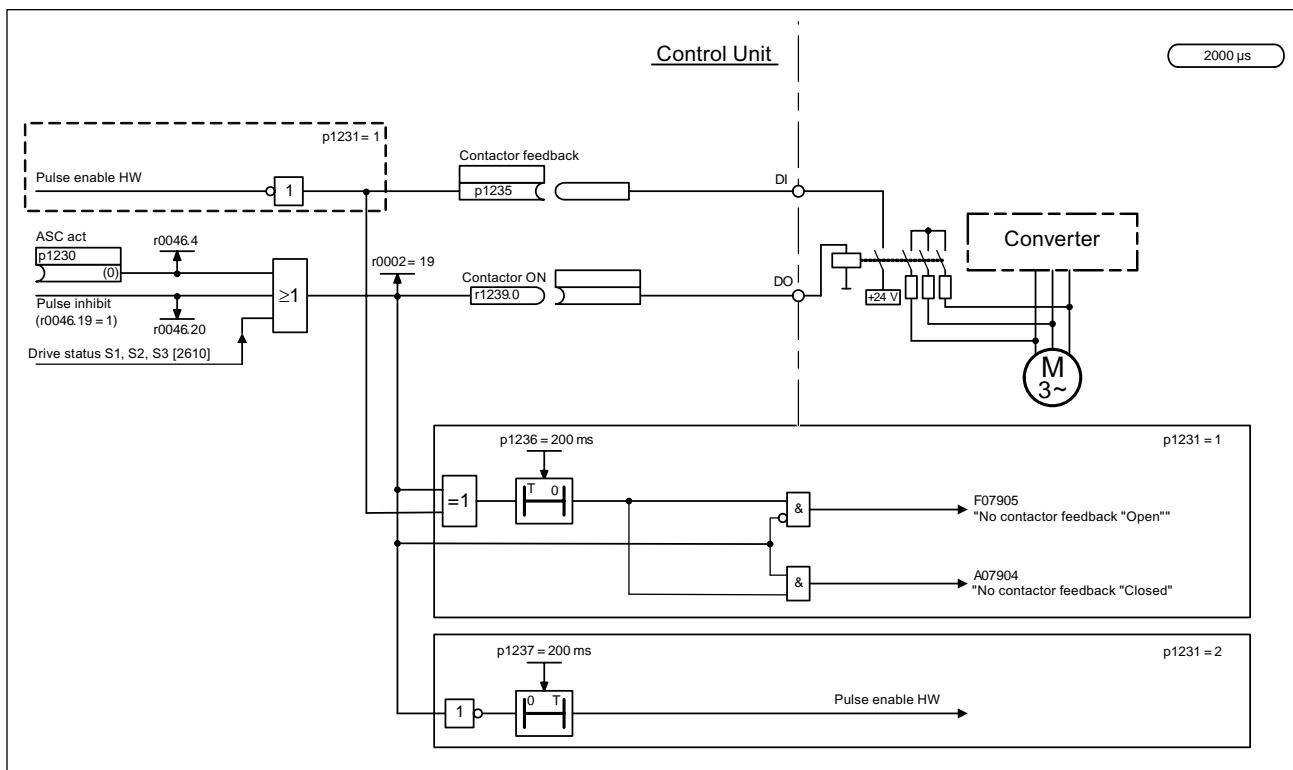


Figure 6-3 External armature short-circuit braking with/without contactor feedback signal

Integrated voltage protection (booksize)

For detailed information about integrated voltage protection, please refer to chapter "Integrated voltage protection".

Internal armature short-circuit braking (booksize)/DC brake

The "Internal armature short-circuit braking" function short-circuits a half-bridge in the power unit (Motor Module) to control the motor power consumption, thus braking the motor.

With the "DC brake" function, a DC current is applied after a demagnetization time that brakes the motor or maintains it at standstill.

The function can be initiated either as a "normal" operating mode via BI:p1230 (signal = 1) or as a presettable fault response. The function is initiated when the pulses are canceled.

The fault response is assigned the second-highest priority (second only to OFF2).

Before the function is initiated, a check is made as to whether the following conditions are met (otherwise fault message F7906 is generated):

- Permanent-magnet synchronous motor (internal armature short-circuit)
The firmware of the Motor Module supports the internal armature short-circuit (r0192.9=1).
If the Motor Module firmware does not support the internal armature short-circuit, any activation attempt will generate fault 1303 (DRIVE-CLiQ component does not support requested function) with fault value 101 (Motor Module does not support internal armature short-circuit).
- Induction motor (DC brake)
The parameters of the DC brake must be carefully assigned (p1232, p1233, p1234).

When the motor type is changed (in p0300), these prerequisites are also checked, which may result in the cancelation of all messages whose parameters have been changed (p2100 / p2101) and which have this function as a response. In parameter p0491 ("Motor encoder fault response"), the default response OFF2 is entered again if the response "Encoder fault results in internal armature short-circuit brake / DC brake" was previously entered there. Alternatively, all encoder faults 3yxxx, y=1,2,3 as well as F7412 (commutation angle incorrect motor model) provide the option of selecting the function as an alternative fault response. The user can also use parameter p0491 to select the function as a fault response for faults of the motor encoder.

The user can use the parameters p2100 and p2101 to set this function as a fault response for individual messages.

It may be desired to brake the drive without field/rotor orientation even without the occurrence of a fault, e.g. to brake in non-regenerative mode.

NOTICE

Especially in servo control mode without an encoder it is not ensured whether the operation can be continued after the internal armature short-circuit or the DC brake are no longer applied. This applies both to the DC braking (induction motor) and to the internal armature short-circuit (synchronous motor). If the motor cannot continue to run after the end of the internal armature short-circuit or the DC brake, a fault message with OFF2 response is issued.

Internal armature short-circuit (synchronous motors)

The internal armature short-circuit is activated via the parameter p1231 = 4. It can be triggered via an input signal p1230 (signal = 1) or a fault response. Both types of activation are equivalent and are no longer distinguished during the braking operation, in contrast to DC brake (see paragraph "DC brake").

When the internal armature short-circuit protection is activated, the same mechanism as with the integrated voltage protection will short-circuit one of the half-bridges in the Motor Module.

After completion of the internal armature short-circuit, it is continued rotor-oriented.

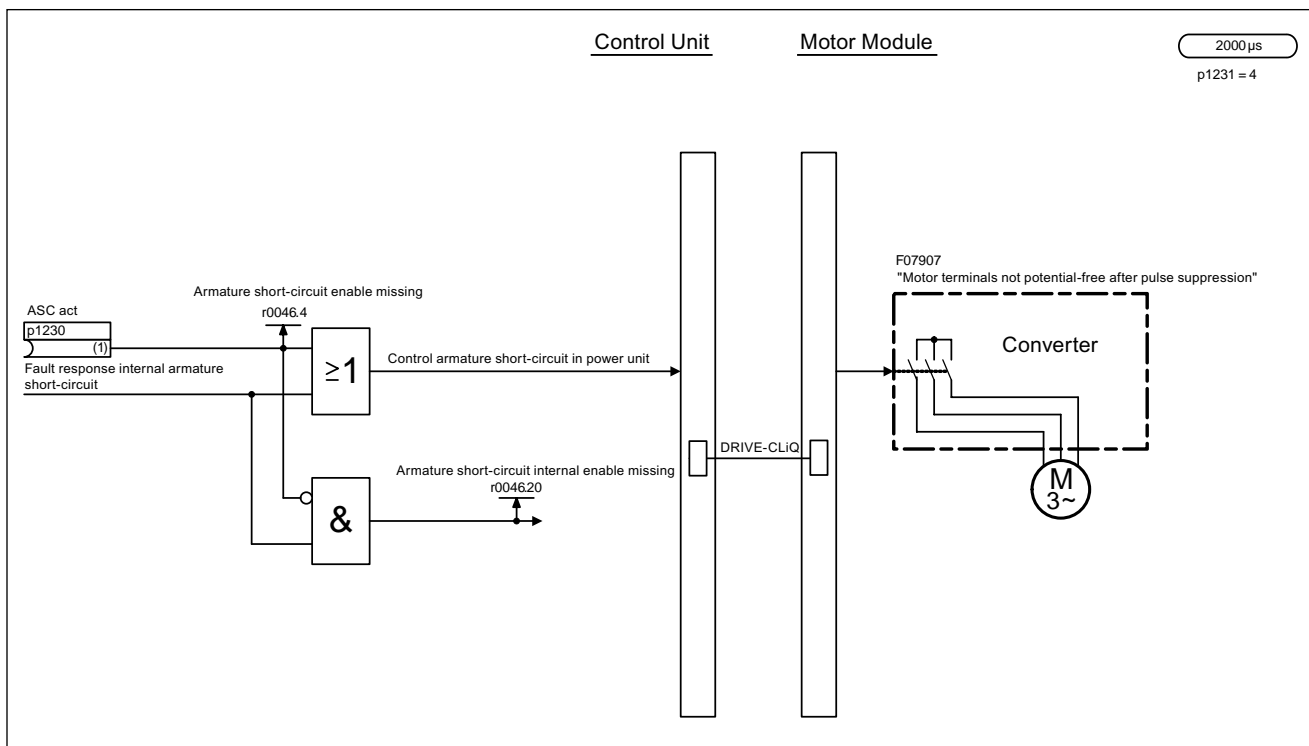


Figure 6-4 Internal armature short-circuit

DC brake (induction motors)

The DC brake is activated via the parameter p1231 = 4. It can be triggered via an input signal p1230 (signal = 1) or a fault response.

Activation of DC brake by BI

If the DC brake is activated by the digital input signal, the first step is that the pulses are blocked for the demagnetization time p0347 of the motor in order to demagnetize the motor - the parameter p1234 "Speed at the start of DC braking" is ignored.

Then the DC brake, braking current p1232 is applied as long as the input is initiated in order to brake the motor or hold it at standstill.

If the DC brake is removed, the drive returns to its selected operating mode.

The following is applicable:

- With servo (controlled with encoder):
The drive returns to field-oriented control after the demagnetization time has elapsed (p0347 can also be set to 0). Limitations apply in case of extreme field weakening.
- With vector control (controlled with or without encoder):
The drive is synchronized with the motor frequency if the "Flying restart" function is activated, and the drive then returns to controlled mode. If the "flying restart" function is not active, the drive can only be restarted from standstill without an overcurrent fault.
- In V/f mode:
With the "flying restart" function activated, the converter frequency is synchronized with the motor frequency, and the drive will then return to V/f mode. If the "flying restart" function is not available, the drive can only be restarted from standstill without overcurrent fault.

DC brake as a fault response

If the DC brake is activated as a fault response, the motor is initially braked in field-oriented mode along the braking ramp up to the threshold set in p1234. The slope of the ramp is identical with that of the OFF1 ramp (parameterized using p1082, p1121). Subsequently, the pulses are disabled for the motor demagnetizing time p0347 in order to demagnetize the motor. The DC braking will start for the duration set in p1233.

If an encoder is used, braking will continue until the speed falls below the standstill threshold p1226.

If no encoder is used, only the period in p1233 will be applied.

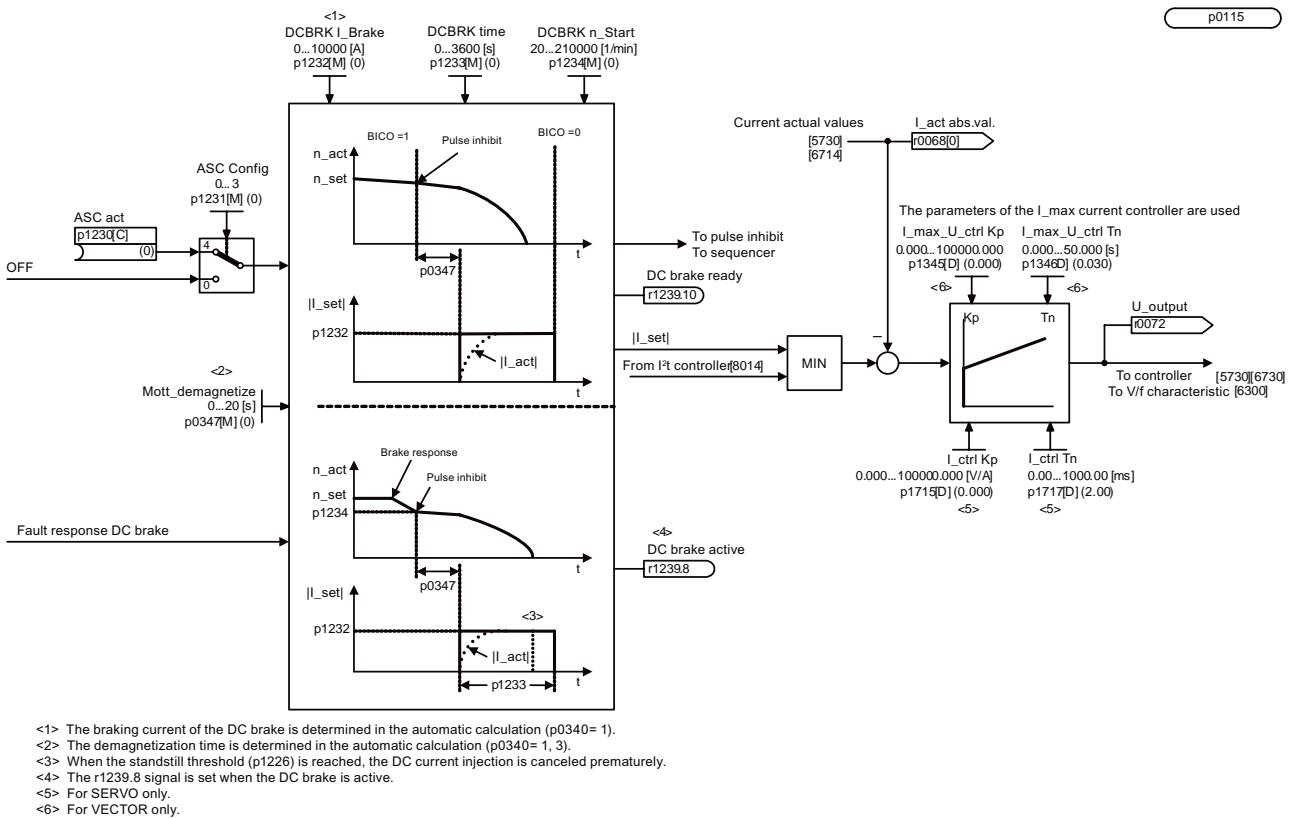


Figure 6-5 DC brake

Function diagrams (see SINAMICS S120/S150 List Manual)

- 7014 External armature short circuit (p0300 = 2xx or 4xx, synchronous motors)
- 7016 Internal armature short circuit (p0300 = 2xx or 4xx, synchronous motors)
- 7017 DC brake (p0300 = 1xx, induction motors)

Overview of important parameters (see SINAMICS S120/S150 List Manual)

- p1226 Standstill detection, velocity threshold
- p1230[0...n] BI: Armature short-circuit/DC brake activation
- p1231[0...n] Armature short-circuit/DC brake configuration
- p1232[0...n] DC brake, braking current
- p1233[0...n] DC braking time
- p1234[0...n] DC brake starting speed
- p1235[0...n] BI: External armature short-circuit, contactor feedback signal
- p1236[0...n] External armature short-circuit, contactor feedback signal monitoring time
- p1237[0...n] External armature short-circuit, waiting time when opening
- r1238 CO: Armature short-circuit, external state
- r1239.0..10 CO/BO: Armature short-circuit/DC brake status word

6.10 Integrated voltage protection

Description

The speed range of permanent-field synchronous motors (e.g. 1FE1 spindles) can be greatly extended by means of field weakening.

If faults that hinder controlled operation occur in this operating status, the EMF (electromotive force) can result in high terminal voltages. These excessively high voltages must not be applied to the Motor Module because otherwise this could damage all the components connected to the DC link.

The DC link group can be protected by feeding the motor energy back to the supply system and tripping the integrated voltage protection mechanism in the Motor Module. If a ground fault occurs, a Braking Module with a suitable braking resistor can prevent the DC link voltage from rising until the pre-charging relay of the infeed module is open. The voltage protection mechanism in the Motor Module is then applied.

Integrated voltage protection is implemented by shorting the motor cables in the power unit (Motor Module) (internal armature short-circuit).

This eliminates the need for a VPM (Voltage Protection Module) for 1FE motors (e.g. VPM 120 or VPM 200).

The integrated voltage protection is activated with $p1231 = 3$. It is initiated when the pulses are canceled.

To ensure that the motor functions properly in the event of a power failure, an external 24 V supply (USV) must be used for the components.

If the Motor Module supports integrated voltage protection ($r0192.10=1$), the Motor Module decides on the basis of the DC link voltage whether or not the internal armature short-circuit is applied. In this case, the voltage protection remains operative even if the DRIVE-CLiQ connection between the Control Unit and the Motor Module is interrupted. To ensure continued operation of the components in the drive line-up after a mains power failure, 24 V is supplied from the DC link via a Control Supply Module (CSM).

The IVP (Internal Voltage Protection) mechanism ensures a stable 24 V supply.

The DC link voltage is monitored independently in the Motor Module.

If the DC link voltage exceeds 820 V, the internal armature short-circuit is activated.

If the DC link voltage drops below 450 V, the internal armature short-circuit is deactivated again. This ensures that the necessary input voltage for the Control Supply Module is maintained.

Note

The "Integrated voltage protection" (IVP) function can be used only on Motor Modules in booksize and booksize compact format.

Suitable booksize modules can be identified by the number 3 at the end of the order number e.g. 6SL3130-6TE21-6AA3. The booksize Compact modules are universally usable.

Note

The "Integrated voltage protection" (IVP) will be available as of firmware version 2.5 SP3 for all modules in the SINAMICS drive line-up (Line Module, Motor Module, etc.).

Requirements

Requirements for the use of integrated voltage protection IVP are:

- Short-circuit-proof motors (p0320 < p0323)
- The short-circuit current of the motor must not be higher than the specified S6 current of the Motor Module (see "Technical data" for the Motor Module).
- One of the permanent-magnet motor types specified below is used:
 - Rotating permanent-magnet synchronous motor (booksize) (p0300 = 2xx)
 - Linear permanent-magnet synchronous motor (booksize) (p0300 = 4xx)
- Use of Motor Modules in booksize format
- The max. power unit current (r0209.0] must be at least 1.8 x the motor short-circuit current (r0331).
- Active Line Module with regenerative feedback capability
16 kW to 120 kW Active Line Module or 16 kW to 36 kW Smart Line Module.
The regenerative feedback rating of the Active Line Module must not be less than the rated power of the PE spindle(s).
- Two 24 V power supplies for fault redundancy
Standard power supply (e.g. SITOP) or CSM for Control Unit and Line Module.
DC-link-buffered power supply (CSM) for the Motor Modules of permanent-magnet motors on which spindles are operated.
- Braking Module with connected braking resistor
The short-time power of the braking resistor must be adjusted to the rated power of the spindle(s) operating on a permanent-magnet motor. The following formula can be used to determine the maximum resistance of the braking resistor:

$$R_{\text{Brake}} \leq \frac{765 \text{ V} * 2\pi * Z_p * \frac{n_{\text{max}}}{60 \text{ s/min}} * L_A}{\sqrt{\frac{2}{3} \left(\frac{k_E * n_{\text{max}}}{1000 \text{ min}^{-1}} \right)^2 - \frac{(765 \text{ V})^2}{3}}}$$

Formula symbol	Parameters	Description
k _E	p0317	Voltage constant
n _{max}	p0322	Maximum rotational speed
Z _P	p0314	Number of pole pairs
L _A	p0356	Armature inductance

Calculation example:

$$K_E = 145 \text{ V}_{\text{eff}} \text{ n}_{\text{max}} = 10.000 \text{ min}^{-1}, Z_P = 2, L_A = 15.7 \cdot 10^{-3} \text{ H}$$

Result in formula above: $R_{\text{Brake}} = 22.9 \text{ Ohm}$

The resistance of the braking resistor must not exceed 22.9 Ohm, which means that a 17 Ohm braking resistor ($P_{\text{max}} = 25\text{kW}$) is sufficient here.

- The EMF of the PE spindle motor must not exceed 1.4 kVeff.
- Correct parameterization of the drive line-up:
In cases where the "Integrated voltage protection" function is not activated with the appropriate parameter setting $p1231 = 3$, the maximum motor speed is automatically limited to a non-critical value. An alarm message is also output.

Configuration example

An example of a configuration recommended to achieve perfect operation of the integrated voltage protection function can be seen below.

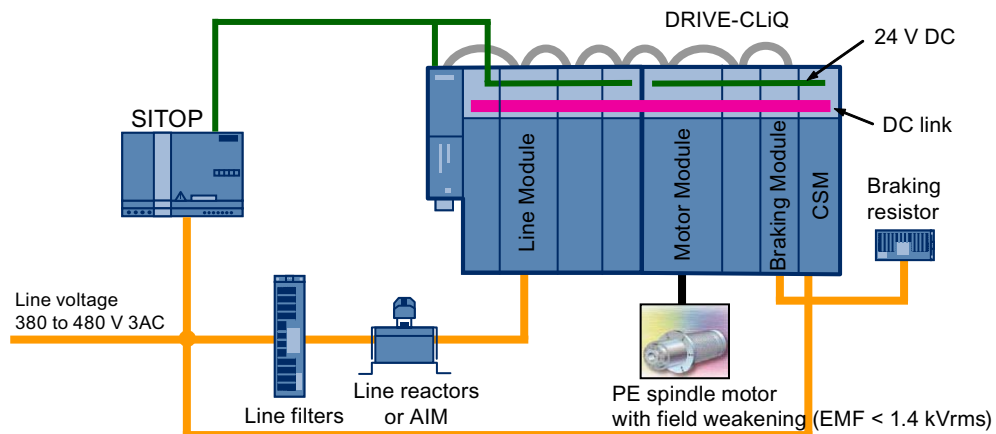


Figure 6-6 Example of a configuration recommended for application of integrated voltage protection

Safety information

<p>⚠ DANGER</p> <p>The integrated voltage protection function is deactivated at DC link voltages lower than 450 V. Kinetic energy is converted to heat loss in the drive system and motor. If the power loss is too high or this operation takes too long, the drive may be subject to thermal overload.</p>

 **CAUTION**

The kinetic motor energy is initially only absorbed by the braking resistor connected to the Braking Module. The integrated voltage protection mechanism is activated when the Braking Module reaches the I²t shutdown limit, that is, when 80% of the maximum ON time of the braking resistor is reached.

At this point, the Braking Module is no longer available for braking other motors.

 **CAUTION**

When the integrated voltage protection mechanism is active (p1231 = 3), all the motor terminals are at half the DC link potential once the pulses have been canceled (without the integrated voltage protection mechanism, the motor terminals are floating).

 **CAUTION**

The integrated voltage protection function cannot be interrupted by a fault response. If an overcurrent occurs while integrated voltage protection is active, the Motor Module and/or the motor might sustain irreparable damage!

Note

With the integrated voltage protection active, the motor must not be powered by an external source for an extended period of time (e.g. by pulling loads or another coupled motor).

Note

An activated integrated voltage protection mechanism extends the speed range by raising the speed limits (p1082, ...) for EMF values > 820V too. The original settings are not buffered.

Note

Deactivation of the voltage protection can always be initiated but will only become effective after POWER ON.

Troubleshooting

- If a fault occurs, the main objective is to feed the energy produced by the motor back to the supply system.
Examples of faults: CSM failure, interruption in DRIVE-CLiQ communication, defective motor encoder, defective Motor Module hardware, defective Break Module
- If motor energy cannot be fed back to the supply system in sufficient quantity or at all after a fault, the internal armature short-circuit function in the Motor Module is activated for DC link voltages > 820 V, thus preventing the DC link voltage from increasing any further.
Examples: Mains failure, defective 24 V power supply, defective hardware in the Active Line Module or Control Unit, interruption in DRIVE-CLiQ communication.
- Special case: A ground fault develops in the motor in field-weakening operation. In this case, the Line Module disconnects the drive from the supply system. The Braking Module limits the ground fault current to acceptable values until the Line Module disconnects from the supply.

6.11 OFF3 torque limits

Description

If the torque limits are externally specified (e.g. tension controller), then the drive can only be stopped with a reduced torque. If stopping in the selected time p3490 of the infeed has not been completed, the infeed shuts down and the drive coasts down.

In order to avoid this, there is a binector input (p1551), that for a LOW signal, activates the torque limits p1520 and p1521. This means that the drive can brake with the maximum torque by interconnecting the signal OFF 3 (r0899.5) to this binector.

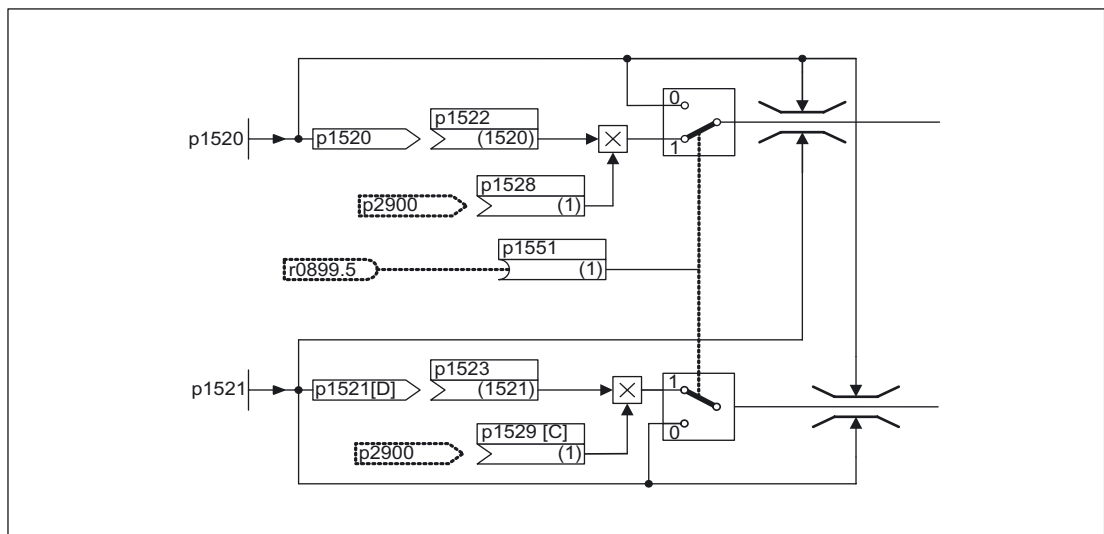


Figure 6-7 Torque limits OFF3

Function diagrams (see SINAMICS S120/S150 List Manual)

- 5620 Motor/generator torque limits
- 5630 Upper/lower torque limit
- 6630 Upper/lower torque limit

Overview of important parameters (see SINAMICS S120/S150 List Manual)

- p1520 Torque limit, upper/motoring
- p1521 Torque limit, lower/regenerative

6.12 Technology function: friction characteristic

Description

The friction characteristic curve is used to compensate the friction torque for the motor and the driven machine. A friction characteristic enables the speed controller to be pre-controlled and improves the response.

10 interpolation points are used for each friction characteristic curve. The coordinates of an interpolation point are described by a speed (p382x) and a torque parameter (p383x) (interpolation point 1 = p3820 and p3830).

Features

- 10 interpolation points are available for mapping the friction characteristic curve.
- An automatic function allows you to record the friction characteristic curve (record friction characteristic curve).
- A connector output (r3841) can be applied as friction torque (p1569).
- The friction characteristic can be activated and deactivated (p3842).

Function diagrams (see SINAMICS S120/S150 List Manual)

- 5610 Torque limiting/reduction/interpolator
- 6710 Current setpoint filters
- 7010 Friction characteristic curve

Overview of important parameters (see SINAMICS S120/S150 List Manual)

- p3820 Friction characteristic curve value n0
- ...
- p3839 Friction characteristic curve value M9
- r3840 CO/BO: Friction characteristic curve status
- r3841 CO: Friction characteristic curve output
- p3842 Friction characteristic curve activation
- p3845 Friction characteristic curve record activation


Commissioning via parameters

In p382x, speeds for the measurement are predefined as a function of the maximum speed p1082 during first commissioning. They can be changed appropriately.

The automatic friction characteristic plot can be activated using p3845. The characteristic is then plotted the next time that it is enabled.

The following settings are possible:

- p3845 = 0 Friction characteristic curve recording deactivated
- p3845 = 1 Friction characteristic curve recording activated, all directions of rotation
The friction characteristic curve is recorded in both directions of rotation. The results of the positive and negative measurement are averaged and entered in p383x.
- p3845 = 2 Friction characteristic curve recording activated, positive direction of rotation
- p3845 = 3 Friction characteristic curve recording activated, negative direction of rotation

 DANGER
When the friction characteristic is plotted, the drive can cause the motor to move. As a result, the motor may reach maximum speed.
The emergency OFF functions must be fully operational during commissioning. To protect the machines and personnel, the relevant safety regulations must be observed.

Commissioning via STARTER

In STARTER, the friction characteristic curve can be started up via the dialog under "Functions".

6.13 Simple brake control

Features

- Automatic activation by means of sequence control
- Standstill (zero-speed) monitoring
- Forced brake release (p0855, p1215)
- Application of brake for a 1 signal "unconditionally close holding brake" (p0858)
- Application of brake after "Enable speed controller" signal has been canceled (p0856)

Description

The "Simple brake control" is used exclusively for the control of holding brakes. The holding brake is used to secure drives against unwanted motion when deactivated.

The trigger command for releasing and applying the holding brake is transmitted via DRIVE-CLiQ from the Control Unit, which monitors and logically connects the signals to the system-internal processes, directly to the Motor Module.

The Motor Module then performs the action and activates the output for the holding brake. The exact sequence control is shown in the SINAMICS S120/S150 List Manual (function diagram 2701). The operating principle of the holding brake can be configured via parameter p1215.

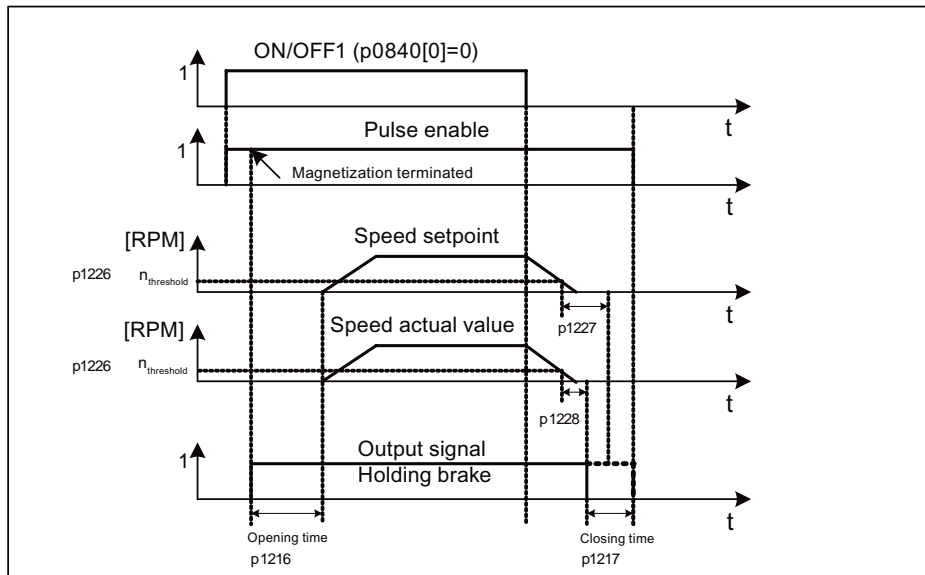


Figure 6-8 Function chart: simple brake control

The start of the closing time for the brake depends on the expiration of the shorter of the two times p1227 (Pulse suppression, delay time) and p1228 (Zero speed detection monitoring time)

! WARNING

The holding brake must not be used as a service brake.

When holding brakes are used, the special technological and machine-specific conditions and standards for ensuring personnel and machine safety must be observed.

The risks involved with vertical axes, for example, must also be taken into account.

Commissioning

Simple brake control will be activated automatically (p1215 = 1) when the Motor Module has an internal brake control and a connected brake has been found.

If no internal brake control is available, the control can be activated using a parameter (p1215 = 3).

CAUTION

If p1215 = 0 (no brake available) is set when a brake is present, the drive runs with applied brake. This can destroy the brake.

CAUTION

Brake control monitoring may only be activated for booksize power units and blocksize power units with Safe Brake Relay (p1278 = 0).

Function diagrams (see SINAMICS S120/S150 List Manual)

- 2701 Simple brake control (r0108.14 = 0)

Overview of important parameters (see SINAMICS S120/S150 List Manual)

- r0056.4 Magnetizing complete
- r0060 CO: Speed setpoint before the setpoint filter
- r0063 CO: Actual speed value after actual-value smoothing (servo)
- r0063[0...2] CO: Actual speed value (vector)
- r0108.14 Extended brake control
- p0855[C] BI: Unconditionally release holding brake
- p0856 BI: Speed controller enabled
- p0858 BI: Unconditionally close holding brake
- r0899.12 BO: Holding brake open
- r0899.13 BO: Command, close holding brake
- p1215 Motor holding brake configuration
- p1216 Holding brake release time
- p1217 Holding brake application time
- p1226 Threshold for zero speed detection
- p1227 Zero speed detection monitoring time
- p1228 Zero speed detection, delay time
- p1278 Deactivate monitoring of brake control

6.14 Runtime (operating hours counter)

Total system runtime

The total system runtime is displayed in p2114 (Control Unit). Index 0 indicates the system runtime in milliseconds after reaching 86.400.000 ms (24 hours), the value is reset. Index 1 indicates the system runtime in days.

At power-off the counter value is saved.

After the drive unit is powered-up, the counter continues to run with the value that was saved the last time that the drive unit was powered-down.

Relative system runtime

The relative system runtime after the last POWER ON is displayed in p0969 (Control Unit). The value is in milliseconds and the counter overflows after 49 days.

Actual motor operating hours

The motor operating hours counter p0650 (drive) is started when the pulses are enabled. When the pulse enable is withdrawn, the counter is stopped and the value saved.

The values can only be stored with a CU320 with order number 6SL3040-....-0AA1 and version C or higher.

If p0651 is at 0, the counter is de-activated.

If the maintenance interval set in p0651 is reached, fault F01590 is triggered. Once the motor has been maintained, the maintenance interval must be reset.

CAUTION
If the motor data set is switched during the star/delta switchover without the motor being changed, the two values in p0650 must be added to determine the correct number of motor operating hours.

Operating hours counter for the fan

The operating hours of the fan in the power unit are displayed in p0251 (drive).

The number of hours operated can only be reset to 0 in this parameter (e.g. after a fan has been replaced). The service life of the fan is entered in p0252 (drive). Alarm A30042 is output 500 hours before this figure is reached. Monitoring is deactivated when p0252 = 0.

6.15 Component status display

Description

Component-specific status displays have been added to the existing DO-specific status displays in SINAMICS S120.

Parameter r0196 displays the current operating status of the component. The number of indices of this parameter corresponds to the permissible numbers of DRIVE-CLiQ components. Each index is structured in the same way:

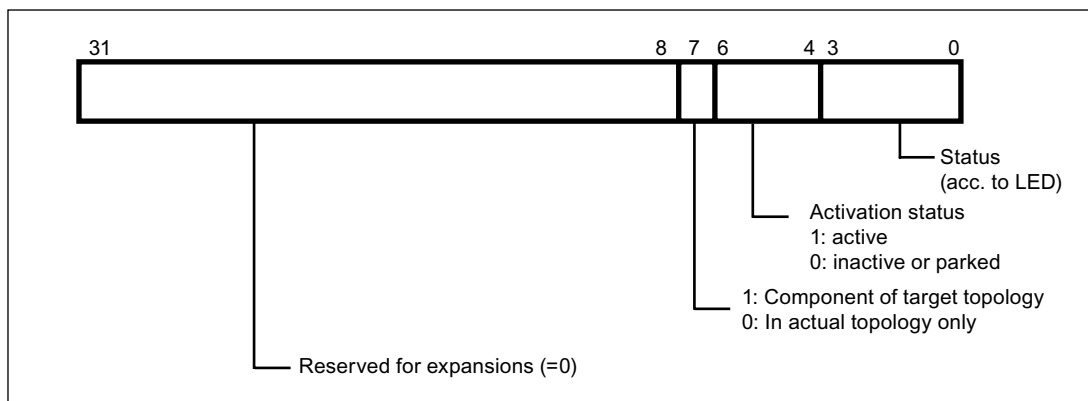


Figure 6-9 Component status display, structure of an index of parameter r0196

Parameter r0196 is read from the component to obtain the status:

Meaning of indices:

- 0: Component not available
- 1: Power-up, acyclic DRIVE-CLiQ communication (LED: orange)
- 2: Ready for operation, cyclic DRIVE-CLiQ communication (LED: green)
- 3: Alarm (LED: green)
- 4: Fault (LED: red)
- 5: Pathfinder and ready for operation (LED: green/orange)
- 6: Pathfinder and alarm (LED: green/orange)
- 7: Pathfinder and fault (LED: red/orange)
- 8: Firmware is being downloaded (LED: green / red, 0.5 Hz)
- 9: Firmward has been downloaded, wait for POWER ON (LED: green / red, 2 Hz)

6.16 Parking axis and parking encoder

The parking function is used in two ways:

- "Parking axis"
 - Monitoring of all encoders and Motor Modules assigned to the "Motor control" application of a drive are suppressed.
 - All encoders assigned to the "Motor control" application of a drive are prepared for the "removed" state.
 - The Motor Module that is assigned the application "Motor control" of drive is prepared for the state "removed Motor Module".
- "Parking encoder"
 - Monitoring of a certain encoder is suppressed.
 - The encoder is prepared for the "removed" state.

Parking an axis

When an axis is parked, the power unit and all the encoders assigned to the "motor control" are switched to inactive ($r0146[n] = 0$).

- Control is carried out via the control/status words of the cyclic telegram (STW2.7 and ZSW2.7) or using parameters p0897 and r0896.0.
- The drive must be brought to a standstill by the higher-level controller (disable pulses e.g. via STW1.0/OFF1).
- DRIVE-CLiQ communication to downstream components via the deactivated power unit ($r0126 = 0$) remains active.
- A measuring system that is not assigned to the "motor control" (e.g. direct measuring system) remains active ($r0146[n] = 1$).
- The drive object remains active ($r0106 = 1$).

Note

Once the "Parking axis" / "Parking encoder" status has been canceled, you may have to carry out the following actions:

If the motor encoder has been replaced: determine the commutation angle offset (p1990).

A new encoder must be referenced again (e.g. to determine the machine zero point).

Parking an encoder

When an encoder is parked, the encoder being addressed is switched to inactive (r0146 = 0).

- Control is carried out via the encoder control/status words of the cyclic telegram (Gn_STW.14 and Gn_ZSW.14).
- With a parked motor measuring system, the associated drive must be brought to a standstill by the higher-level control system (disable pulses e.g. via CTW1.0/OFF1).
- The monitoring functions for the power unit remain active (r0126 = 1).

Note

Removing/replacing parked components

Once parked components have been disconnected/connected, they can only be unparked once they have been successfully integrated in the actual topology. (See r7853)

Example: parking axis

In the following example, an axis is parked. To ensure that the axis parking is effective, the drive must be brought to a standstill (e.g. via STW1.0 (OFF1)). All components assigned to the motor control (e.g. power unit and motor encoder) are shut down.

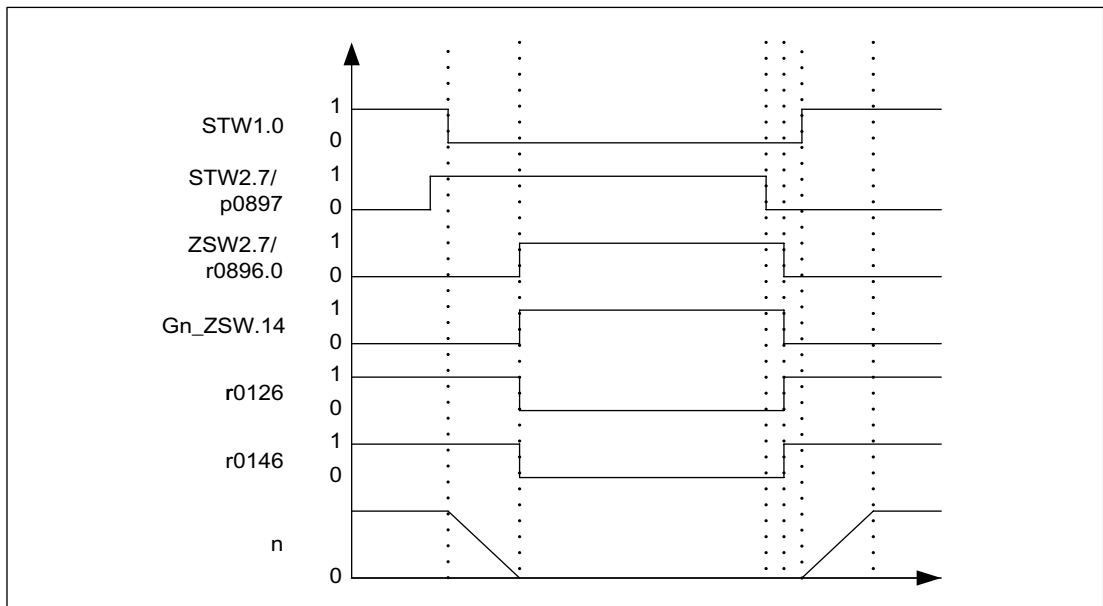


Figure 6-10 Function chart: parking axis

Example: parking encoder

In the following example, a motor encoder is parked. To activate motor encoder parking, the drive must be stopped (e.g. via STW1.0 (OFF1)).

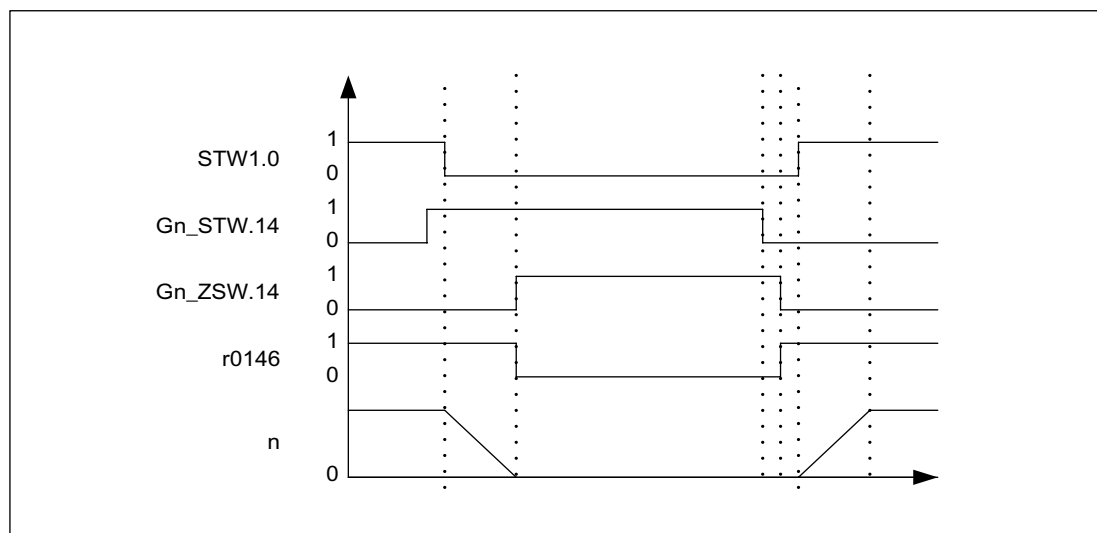


Figure 6-11 Function chart: parking encoder

Overview of important parameters (see SINAMICS S120/S150 List Manual)

- p0105 Activate/deactivate drive object
- r0106 Drive object active/inactive
- p0125 Activate power unit component
- r0126 Power unit component active
- p0145 Activate/deactivate encoder interface
- r0146 Encoder interface active/inactive
- r0896.0 Parking axis active
- p0895 BI: Activate/deactivate power unit component
- p0897 BI: Parking axis selection

6.17 Position tracking

6.17.1 General Information

Terminology

- Encoder range
The encoder range is the position area that can itself represent the absolute encoder.
- Singleturn encoder
A singleturn encoder is a rotating absolute encoder, which provides an absolute image of the position inside an encoder rotation.
- Multiturn encoder
A multiturn encoder is an absolute encoder that provides an absolute image of several encoder revolutions (e.g. 4096 revolutions).

Description

Position tracking enables reproduction of the position of the load when gears are used. It can also be used to extend the position area.

With position tracking, an additional measuring gear can be monitored and also a load gear, if the "position control" function module (p0108.3 = 1) is active. Position tracking of the load gear is described under "Function modules" -> "Position control" -> Actual position value conditioning.

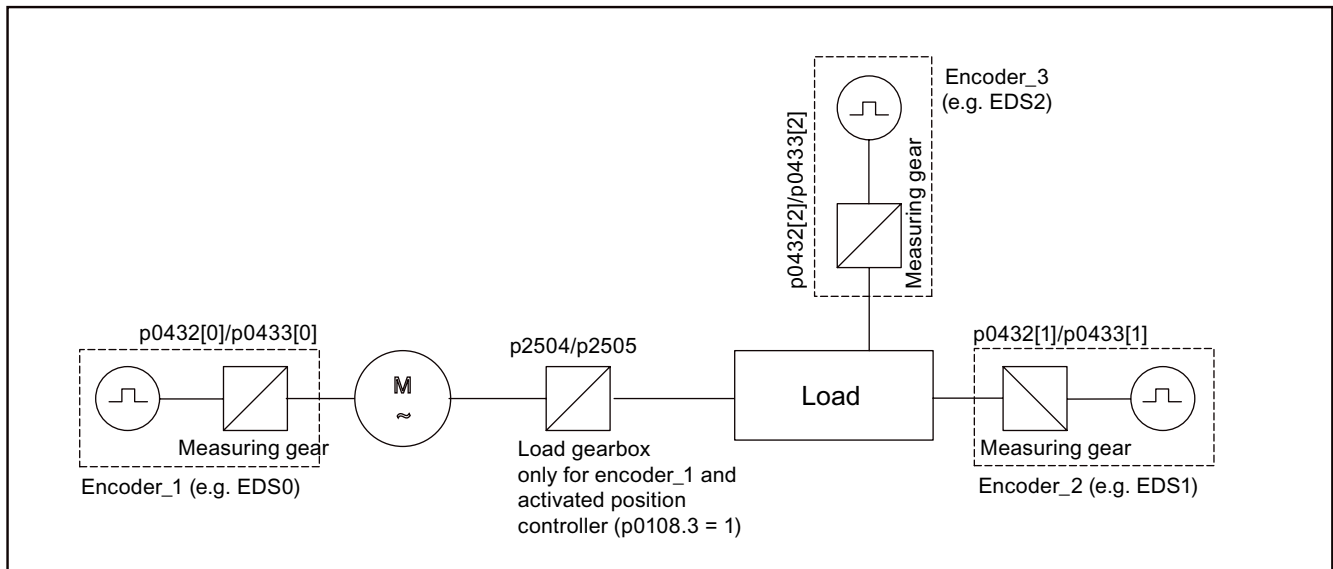


Figure 6-12 Overview of gears and encoders

The encoder position actual value in r0483 (must be requested via GnSTW.13) is limited to 2^{32} places. When position tracking (p0411.0 = 0) is switched off, the encoder position actual value r0483 comprises the following position information:

- Encoder pulses per revolution (p0408)
- Fine resolution per revolution (p0419)
- Number of resolvable revolutions of the rotary absolute encoder (p0421), this value is fixed at "1" for singleturn encoders.

When position tracking (p0411.0 = 1) is activated, the encoder position actual value r0483 is composed as follows:

- Encoder pulses per revolution (p0408)
- Fine resolution per revolution (p0419)
- Virtual number of resolvable motor revolutions of a rotary absolute encoder (p0412)

If the measuring gear is absent ($n=1$), the actual number of the stored revolutions of a rotary absolute encoder p0421 is used. The position area can be extended by increasing this value.

If the measuring gear is available, this value equals the number of resolvable motor revolutions, which is stored in r0483.

- The gear ratio (p0433/p0432)

6.17.2 Measuring gear

Features

- Configuration via p0411
- Virtual multiturn via p0412
- Tolerance window for monitoring the position at power ON p0413
- Input of the measuring gear via p0432 and p0433
- Display via r0483

Description

If a mechanical gear (measuring gear) is located between an endlessly rotating motor/load and the encoder and position control is to be carried out using this absolute encoder, an offset occurs (depending on the gear ratio) between the zero position of the encoder and the motor/load whenever encoder overflow occurs.

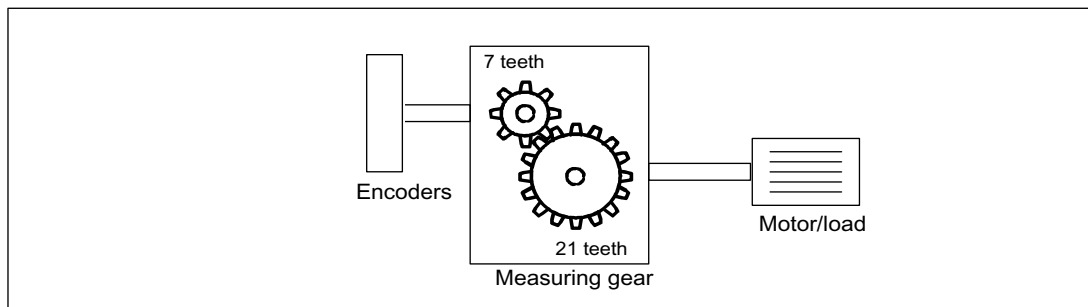


Figure 6-13 Measuring gear

In order to determine the position at the motor/load, in addition to the position actual value of the absolute encoder, it is also necessary to have the number of overflows of the absolute encoder.

If the power supply of the control module must be powered-down, then the number of overflows must be saved in a non-volatile memory so that after powering-up the position of the load can be uniquely and clearly determined.

Example: Gear ratio 1:3 (motor revolutions p0433 to encoder revolutions p0432), absolute encoder can count 8 encoder revolutions (p0421 = 8).

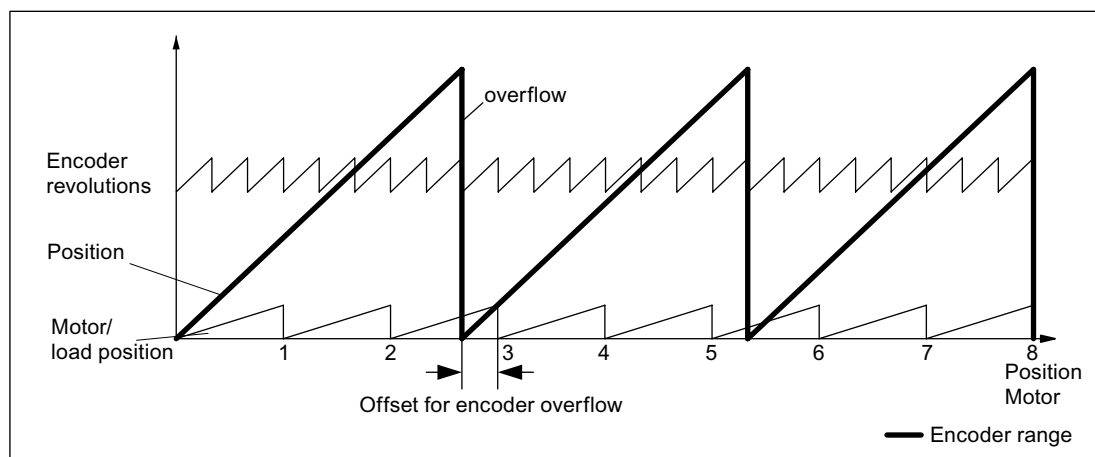


Figure 6-14 Drive with odd-numbered gears without position tracking

In this case, for each encoder overflow, there is a load-side offset of 1/3 of a load revolution, after 3 encoder overflows, the motor and load zero position coincide again. The position of the load can no longer be clearly reproduced after one encoder overflow.

If position tracking is activated via $p0411.0 = 1$, the gear ratio ($p0433/p0432$) is calculated with the encoder position actual value ($r0483$).

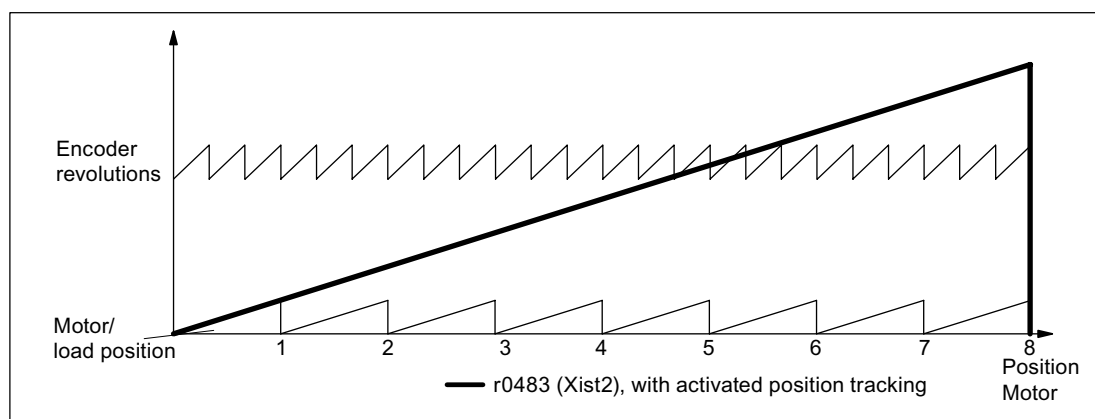


Figure 6-15 Odd-numbered gears with position tracking ($p0412 = 8$)

Measuring gear configuration (p0411)

The following points can be set by configuring this parameter:

- $p0411.0$: Activation of position tracking
- $p0411.1$: Setting the axis type (linear axis or rotary axis)

Here, a rotary axis refers to a modulo axis (modulo offset can be activated through higher-level control or EPOS). With a linear axis, position tracking is mainly used to extend the position area (see section: Virtual multiturn encoder ($p0412$)).

- $p0411.2$: Reset position

Overflows can be reset with this. This is required, for example, the encoder is turned by more than 1/2 the encoder range while switched off.

Virtual multiturn encoder (p0412)

With a rotary absolute encoder (p0404.1 = 1) with activated position tracking (p0411.0 = 1), p0412 can be used to enter a virtual multiturn resolution. This enables you to generate a virtual multiturn encoder value (r0483) from a singleturn encoder. It must be possible to display the virtual encoder range via r0483.

NOTICE

If the gear factor is not equal to 1, then p0412 always refers to the motor side. The virtual resolution, which is required for the motor, is then used here.

For rotary axes with modulo offset, the virtual multiturn resolution (p0412) is preset as p0421 and can be changed.

For linear axes, the virtual multiturn resolution (p0412) is preset as p0421 and extended by 6 bits for multiturn information (max. overflows 31 positive/negative)

If, as a result of extension of the multiturn information, the displayable area of r0483 (2^{32} bit) is exceeded, the fine resolution (p0419) must be reduced accordingly.

Tolerance window (p0413)

After switching on, the difference between the stored position and the actual position is ascertained and, depending on the result, the following is triggered:

Difference within the tolerance window -> the position is reproduced based on the current actual encoder value.

Difference outside the tolerance window -> An appropriate message (F7449) is output.

The tolerance window is preset to quarter of the encoder range and can be changed.

NOTICE

The position can only be reproduced if, in the powered-down state, the encoder was moved through less than half of the range that it can represent. For the standard EQN1325 encoder, this is 2048 revolutions or half a revolution for singleturn encoders.
--

Note

The ratio stamped on the gear rating plate is often just a rounded-off value (e.g. 1:7.34). If, for a rotary axis, it is not permissible to have any long-term drift, then the actual ratio of the gear teeth must be requested from the gear manufacturer.

Note regarding using synchronous motors with a measuring gear

Field-oriented control of synchronous motors requires a clear reference between the pole position and encoder position. This reference must also be carefully maintained when using measuring gears: This is the reason that the ratio between the pole pair number and the encoder revolutions must be an integer multiple ≥ 1 (e.g. pole pair number 17, measuring gear 4.25, ratio = 4).

Commissioning

The position tracking of the measuring gear can be activated in the drive wizard (STARTER) during the configuration of the drive. During the configuration there is an item for encoder parameterization. In the encoder dialog, click on the "Details" button and activate the checkbox for position tracking in the displayed dialog.

The parameters p412 (Measuring gear, rotary absolute encoder, revolutions, virtual) and p413 (Measuring gear, position tracking tolerance window) can only be set via the expert list.

Requirements

- Absolute encoder
- Firmware version \geq V2.4
- CU310 or CU320 with Order No. 6SL3040-- 0AA1 and Version C or higher

Function diagrams (see SINAMICS S120/S150 List Manual)

- 4704 Position and temperature sensing, encoders 1 ... 3

Overview of important parameters (see SINAMICS S120/S150 List Manual)

- p0402 Gear type selection
- p0411 Measuring gear configuration
- p0412 Measuring gear absolute encoder rotary revolutions virtual
- p0413 Measuring gear position tracking, tolerance window
- p0421 Absolute encoder rotary multiturn resolution
- p0432 Gear factor encoder revolutions
- p0433 Gear factor motor/load revolutions
- r0477 CO: Measuring gear, position difference
- r0485 CO: Measuring gear, raw encoder value, incremental
- r0486 CO: Measuring gear, raw encoder value, absolute

6.18 Terminal Module 41 (TM41)

Features

- General
 - Pulse encoder emulation, TTL signals (RS422)
 - 1 analog input
 - 4 digital inputs
 - 4 bidirectional digital inputs/outputs
 - Automatic adjustment of the sampling time for encoder emulation 4099[3]
 - Settable pulse number (p0408)
 - Settable fine resolution (p0418, 2 ... 18 bit)
 - Enable zero marks (p4401.0)
- Pulse encoder emulation by presetting of a speed value (p4400 = 0)
 - PROFIdrive telegram 3
 - Own control word (r0898)
 - Own status word (r0899)
 - Sequence control (refer to function diagram 9682)
 - Settable zero mark position (p4426)
 - Operating display (r0002)
- Pulse encoder emulation by presetting of an encoder position actual value (p4400 = 1)
 - Deadtime compensation (p4421)
 - Connector input p4420 should preferably be interconnected with signal source r0479 (diagnostics encoder position actual value Gn_XIST1). Parameter r0482 must not be used as signal source.
 - No gear ratio/reduction between the encoder to be emulated and the associated TM41 is supported.
 - The pulse number and fine resolution setting of the TM41 must match that of the encoder so that the zero marks of TM41 and encoder are synchronized.
 - Only one Encoder Data Set (EDS) can be applied to exactly one TM41. If the same EDS is applied to another TM41, it is possible to emulate only the position actual value but not the zero mark position.
 - A TM41 cannot emulate the zero mark position or the position actual value of another TM41.
 - A TM41 cannot use external zero marks for the encoders to be emulated.
 - When an absolute encoder is emulated, the TM41 can only emulate the encoder actual position of the absolute encoder. In this case, the zero mark on the TM41 is output once per encoder revolution of the TM41. The zero mark does not correspond to the zero position of the absolute encoder but will have a different position at each POWER ON. It can only be used to detect a movement of the absolute encoder. If required, the output of the zero mark can be disabled via p4401.0 = 0.

- Resolvers are not supported
- The TM41 can only emulate a single zero mark of an incremental encoder. The search for the first zero mark requires at least one full encoder revolution. The detected zero mark is then output during the subsequent encoder revolution on the TM41.

General description

The TM41 outputs incremental encoder signals (TTL). The signals can be generated using a speed value via a process data word (p4400 = 0) or using an encoder position actual value of a drive (p4400 = 1). The incremental encoder signal can, for example, be evaluated by a control or other drives. One analog input, 4 digital inputs and 4 bidirectional digital inputs/outputs are available. The can, for example, be used to enter an analog speed setpoint and transfer control and status signals - e.g. OFF1/ON, "ready for operation" or fault.

Description of SIMOTION mode (p4400 = 0): Incremental encoder emulation using a speed setpoint

A speed setpoint is received via PROFIdrive telegram 3 (r2060), which is interconnected to p1155. The speed setpoint can be filtered using a (p1414.0) PT2 element (p1417 and p1418) and delayed with a deadtime (p1412). The number of encoder pulses per revolution can be set using parameter p0408. The distance between the zero marks and the position when enabling the A/B tracks (r4402.1) can be entered into parameter p4426 and enabled with p4401.0.

Note

To be able to signal encoder emulation faults from the TM41 to a higher-level external control, parameter r2139.0...8 CO/BO: status word faults/alarms 1 must be interconnected by BICO with a digital output (TM41 or CU) which can be read by the external control system.

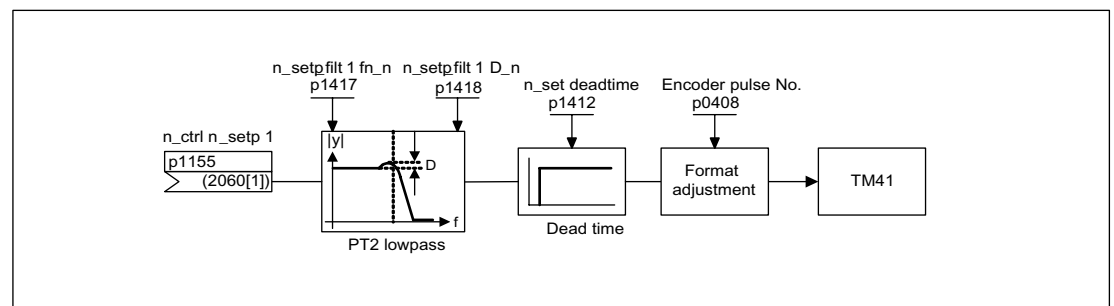


Figure 6-16 Block diagram of the incremental encoder emulation

Description of SINAMICS mode (p4400 = 1): Incremental encoder emulation using the encoder actual position

The encoder position actual value of a drive (r0479) is interconnected to the TM41 via a connector input (p4420) and is therefore available at the TM41 as pulse encoder emulation. The signals of the pulse encoder emulation can, for example, be read-in from one control. In this way, it is possible, for example, to implement the position controller in a higher-level

control without PROFIBUS and to assign the speed setpoint to the drive via the analog output of the control and the analog input of the TM41 (see example TM41). The number of encoder pulses per revolution (p0408) and the fine interpolation (p0418) must be set the same as the drive.

The runtime of the encoder position actual value up to the pulse encoder emulation can be compensated using the deadtime compensation with p4421. If p4422 = 1, input signal p4420 is inverted.

The sampling time for encoder emulation (p4099[3]) is automatically adjusted to the application cycle of the connected encoder (connector input p4420) if the factory setting of p4099[3] does not match the application cycle. The adjustment is made after initial POWER ON and following the logical application (connector input p4420) of the encoder. The fault message F35228 indicates that the value p4099[3] has been changed. The message can be acknowledged immediately. The new sampling time is active after saving (RAM to ROM) and a POWER ON.

Hardware requirements:

- The TM41 shall operate on a DRIVE-CLiQ line that is separated from the Motor Modules. The communication cycle of the DRIVE-CLiQ line must match the application cycle of the associated encoder.
- If multiple TM41s operate on the same DRIVE-CLiQ line, the sampling times p4099[3] must be identical for all TM41s. In this case, the emulated encoders must have the same application cycle.

Encoder emulation on TM41 modules

Old module: Order no. 6SL3055-0AA00-3PA0
 New module: Order number 6SL3055-0AA00-3PA1

- Settable pulse number (p0408)
 old module: 1000 to 8192 pulses/revolution
 New module: 1000 to 16384 pulses/revolution
- Max. pulse frequency (limit frequency for TM41):
 - The limit frequency specified in the tables below must not be exceeded.
 - If the specified limit frequencies are exceeded, the internal position controller for encoder emulation reaches the control limit and a following error can no longer be corrected.

SINAMICS mode (p4400=1):

The fine resolution setting for the TM41 (p0418) must always match the corresponding setting for the emulated encoder.

Fine resolution (p0418) < 17 bits:

Minimum and maximum pulse frequencies for TM41 with a fine resolution of < 17 bits				
	p4099[3]	125 µs	250 µs	500 µs
Old/new module	fmin [Hz]	31,25	15,625	7,8125
Old module	fmax [kHz]	256	256	256
New module	fmax [kHz]	512	512	256

Fine resolution (p0418) = 17 bits:

Minimum and maximum pulse frequencies for TM41 with a fine resolution = 17 bits				
	p4099[3]	125 μ s	250 μ s	500 μ s
Old/new module	fmin [Hz]	31,25	15,625	7,8125
Old module	fmax [kHz]	256	256	128
New module	fmax [kHz]	512	256	128

Fine resolution (p0418) = 18 bits:

Minimum and maximum pulse frequencies for TM41 with a fine resolution = 18 bits				
	p4099[3]	125 μ s	250 μ s	500 μ s
Old/new module	fmin [Hz]	31,25	15,625	7,8125
Old module	fmax [kHz]	256	128	64
New module	fmax [kHz]	256	128	64

SIMOTION mode (p4400=0):

The maximum pulse frequency is determined solely by the module:

Old module	fmax [kHz]	256
New module	fmax [kHz]	512

Example: Commissioning the incremental encoder emulation using the encoder position actual value (p4400 = 1)

Encoder signals from the motor encoder are to be output from the SERVO drive object via TM41.

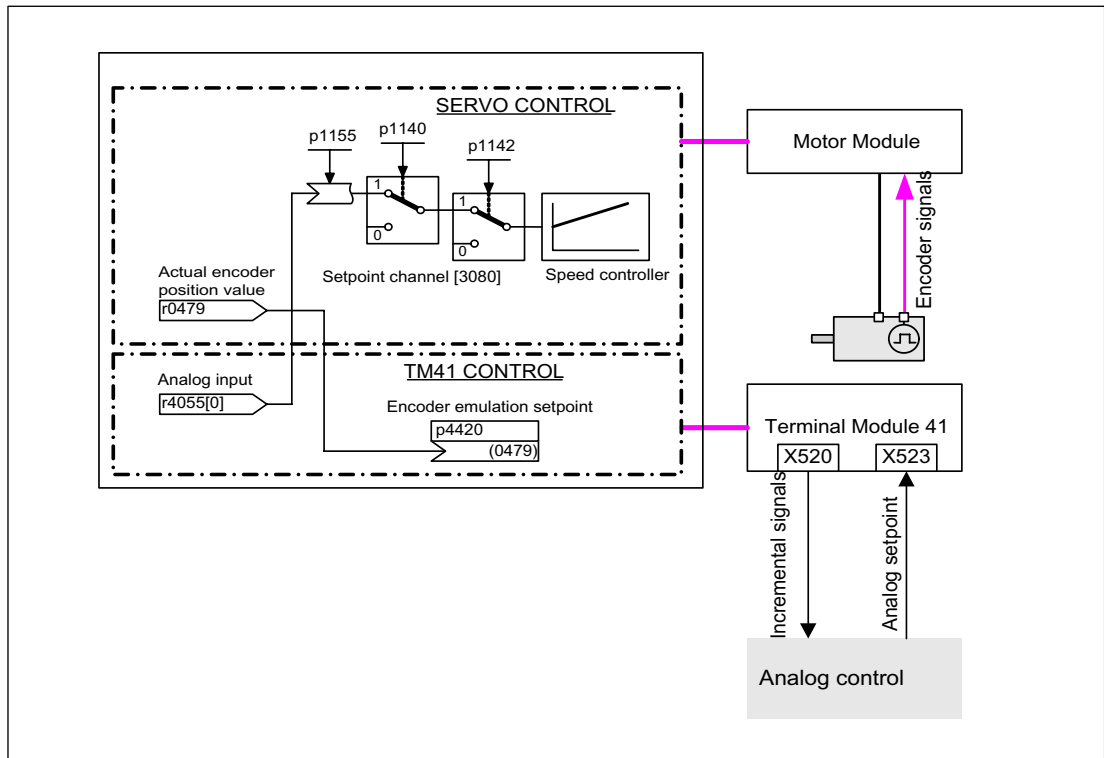


Figure 6-17 Example, TM41

Commissioning steps

Input of parameter values via STARTER dialog or expert list:

- p4400 = 1 (encoder emulation by means of encoder position actual value)
- p4420 = r0479[n] (SERVO or VECTOR), n = 0 ..2
- p0010 = 4 (encoder commissioning TM41)
- p0408 = pulse number of the motor encoder from SERVO/VECTOR
- p0418 = fine resolution of the motor encoder from SERVO/VECTOR
- p0010 = 0 (complete encoder commissioning TM41)

Note

To be able to signal encoder emulation faults from the TM41 to a higher-level external control, parameter r2139.0...8 CO/BO: status word faults/alarms 1 must be interconnected by BICO with a digital output (TM41 or CU) which can be read by the external control system.

Other sequences:

1. A fault message appears (F35228). This indicates that the sampling time for encoder emulation has been adjusted automatically.
2. Copy from RAM to ROM.
3. POWER ON reset (also acknowledges fault message).

Requirements

- Firmware version \geq V2.4
- Terminal Module 41 (TM41)

Function diagrams (see SINAMICS S120/S150 List Manual)

- 9660 Digital inputs, electrically isolated (DI 0 ... DI 3)
- 9661 Digital inputs/outputs, bi-directional (DI/DO 0 and DI/DO 1)
- 9662 Digital inputs/outputs, bi-directional (DI/DO 2 and DI/DO 3)
- 9663 Analog input (AI 0)
- 9674 Incremental encoder emulation (p4400 = 0)
- 9676 Incremental encoder emulation (p4400 = 1)
- 9678 Control word sequence control
- 9680 Execution control status word
- 9682 Processor

Overview of important parameters (see SINAMICS S120/S150 List Manual)

General

- r0002 TM41 operating display
- p0408 Rotary encoder pulse number
- p0418 Fine resolution Gx_XIST1 (in bits)
- p4400 TM41 incremental encoder emulation operating mode
- p4401 TM41 incremental encoder emulation mode
- p4402 CO/BO: TM41 incremental encoder emulation status
- p4099 TM41 inputs/outputs, sampling time

Incremental encoder emulation using a speed setpoint (p4400 = 0)

- p0840 BI: ON/OFF1
- r0898 CO/BO: Control word sequence control
- r0899 CO/BO: Status word sequence control
- p1155 CI: Incremental encoder emulation speed setpoint 1
- p4426 Incremental encoder emulation, pulses for zero mark

Incremental encoder emulation using the encoder actual position (p4400 = 1)

- p4420 CI: TM41 incremental encoder emulation encoder actual position
- p4421 TM41 incremental encoder emulation deadtime compensation
- p4422 TM41 position actual value inversion

6.19 Updating the firmware

The firmware version must be updated if new functions are made available in a later version and the operator wishes to use them.

The firmware for the SINAMICS drive system is distributed in the system. Firmware is installed on each individual DRIVE-CLiQ component and the Control Unit.

The Control Unit fetches its firmware automatically from the memory card during booting, which means that it does not need to be updated separately. The memory card only needs to be replaced with a card containing the more recent firmware version.

When upgraded, the firmware is saved (non-volatile) in the DRIVE-CLiQ component. The firmware in the DRIVE-CLiQ components is also stored on the memory card and can be automatically copied from the memory card to the DRIVE-CLiQ components during initial commissioning by means of the factory setting $p7826 = 1$ (as of firmware version 2.5).

Once the project has been downloaded or automatic configuration has been carried out, the firmware is upgraded on all the connected DRIVE-CLiQ components. This upgrades or downgrades all DRIVE-CLiQ components to the firmware release that matches the memory card.

This may take a few minutes, and is indicated by the green/red flashing of the READY-LED of the relevant component and by the orange blinking (0.5 Hz) of the Control Unit.

Parameter $p7827$ indicates the progress.

When all updates have run, the READY-LED of the Control Unit flashes orange at 2 Hz and the READY-LED of the relevant component flashes green/red at 2 Hz. For the firmware to be activated, a POWER ON must be carried out for the components.

For individual components, STARTER dialogs (Drive Unit -> Configuration -> Version Overview) can be used to read the firmware version or start a firmware upgrade manually for specific components.

Note

The versions of the DRIVE-CLiQ components and that of the Control Unit can differ. An overview of the versions is provided on the memory card in the file "content.txt" or can be read out via the parameter $r7825$.

6.19.1 Upgrading firmware and the project in STARTER

Preconditions are a functional project, a memory card containing the new firmware and a current version of STARTER.

Upgrade the project

1. Is the project in STARTER? Yes: continue with 3.
2. Upload project with STARTER.
 - Connect with target system (go online)
 - Downloading the project into the PG
3. Update the project to the current FW version.
 - In the project navigator, right-click the drive unit -> Target -> Device version
 - E.g. select version "SINAMICS S120 firmware version 2.5x" -> Change version

Update the firmware and load the new project to the target device.

1. Insert the memory card containing the new firmware version.
 - Disconnect the Control Unit from the power supply ->
 - Insert the memory card containing the new firmware version ->
 - Power-up the Control Unit again.
2. Go online and download the project to the target device -> Copy from RAM to ROM
3. The firmware for the DRIVE-CLiQ components will be upgraded automatically as of firmware version 2.5.
4. Reset the drive unit using a POWER ON (Control Unit and all DRIVE-CLiQ components). The new firmware release is only effective in the DRIVE-CLiQ components as of now; it also appears in the version overview.

6.19.2 Downgrade disable

Description

The downgrade disable prevents the firmware from being downgraded from updated releases which were designed to debug firmware programs.

The tables below classify the interlock levels for individual modules which differ depending on the firmware in question.

Module / firmware versions on the memory card	Motor Modules booksize			Motor Modules chassis		CUA 31 small memory	CUA 31 large memory	CUA 32	CU 310	SMx
	1)	2)	3)	4)	5)	6)	7)	8)	9)	10)
Order numbers *										
V2.4 SP1 HF3	--	1	1	--	--	0	--	--	0	--
V2.4 SP1 HF4	--	2	2	--	--	0	--	--	0	--
V2.4 SP1 HF5	--	2	2	--	--	0	--	--	0	--
V2.4 SP1 HF6	--	2	2	--	--	0	--	--	0	--
V2.4 SP1 HF7	--	3	3	--	--	0	--	--	0	--
V2.4 SP1 HF8	--	3	3	--	--	1	--	--	1	--
V02.05 SP1	--	5	4	--	--	0	0	0	0	--
V02.06	--	5	4	--	0	1	1	1	1	--

* See the "Order numbers" table

Module / firmware versions on the memory card	SME 20/25	SME 120/125	SMC 10	SMC 20	SMC 30	TMx	TM 31	TM 41	TM 54F	DMC 20	DME 20	VSM
	11)	12)	13)	14)	15)	16)	17)	18)	19)	20)	21)	22)
Order numbers *												
V2.4 SP1 HF3	--	--	--	--	0	--	--	--	--	--	--	--
V2.4 SP1 HF4	--	--	--	--	0	--	--	--	--	--	--	--
V2.4 SP1 HF5	--	--	--	--	0	--	--	--	--	--	--	--
V2.4 SP1 HF6	--	--	--	--	0	--	--	--	--	--	--	--
V2.4 SP1 HF7	--	--	--	--	0	--	--	--	--	--	--	--
V2.4 SP1 HF8	--	--	--	--	0	--	--	--	--	--	--	--
V02.05 SP1	--	--	--	--	0	--	--	--	1	0	--	--
V02.06	0	--	--	--	0	--	0	0	1	0	0	--

* See the "Order numbers" table

Key:

- Digit = interlock level
When the levels are identical, the firmware may be upgraded and downgraded.
Otherwise:

It is not generally possible to downgrade from a higher to a lower interlock level. Downgrades are permissible where interlock levels are identical. Firmware can be upgraded only to a higher or identical interlock level.

- -- = no downgrade disable.

Explanations of the line "Order numbers" in the above table:

Table 6- 7 Order numbers

Identifier	Designation	Order no.
1)	Motor Module booksize 1-axis	6SL312y-aTExx-xAA0 / - xAA1 "x" denotes amperages, "y" the cooling method, "a" the number of axes
2)	Motor Module booksize 1-axis	6SL312y-1TExx-xAA3
3)	Motor Module booksize 2-axis	6SL312y-2TExx-xAA3
4)	Motor Module chassis 1-axis	6SL332y-1Tuxx-x "u" denotes the voltage level of the DC link
5)	Motor Module chassis 1-axis	6SL3320-1Txxx-xAx3
6)	CUA31 small memory	6SL3040-0PA00-0AA0
7)	CUA31 large memory	6SL3040-0PA00-0AA1
8)	CUA32	6SL3040-0PA01-0AA0
9)	CU310 DP CU310 PN	6SL3040-0LA00-0AA1 6SL3040-0LA01-0AA1
10)	SMX SMC10 SMC20 SME20 SME25 SME120 SME125	6SL3055-0AA00-5AA1 6SL3055- 0AA00-5BA1 6SL3055-0AA00-5EA0 6SL3055-0AA00-5HA0 6SL3055-0AA00-5JA0 6SL3055-0AA00-5KA0
11)	SME20 SME25	6SL3055-0AA00-5EA3 6SL3055-0AA00-5HA3
12)	SME120 SME125	6SL3055-0AA00-5JA0 6SL3055-0AA00-5KA0
13)	SMC10	6SL3055-0AA00-5AA0
14)	SMC20	6SL3055-0AA00-5BA2
15)	SMC30	6SL3055-0AA00-5CA2
16)	TMx TM15 TM17 TM31 TM41	6SL3055-0AA00-3FA0 6SL3055-0AA00-3HA0 6SL3055-0AA00-3AA0 6SL3055-0AA00-3PA0
17)	TM31	6SL3055-0AA00-3AA1
18)	TM41	6SL3055-0AA00-3PA1
19)	TM54F	6SL3055-0AA00-3BA0
20)	DMC20	6SL3055-0AA00-6AA0
21)	DME20	6SL3055-0AA00-6AB0
22)	VSM10	6SL3053-0AA00-3AA0

Function modules

7.1 Function modules - Definition and commissioning

Description

A function module is a functional expansion of a drive object that can be activated during commissioning.

Examples of function modules:

- Technology controller
- Setpoint Channel
- Extended brake control

A function module generally has separate parameters and, in some cases, separate faults and warnings too. These parameters and messages are only displayed when the function module is active. An active function module also generally requires additional processing time, which must be taken into account during configuration.

Commissioning with STARTER

In the STARTER commissioning screens, you can activate the function modules directly (e.g. technology controller) or indirectly (activating the basic positioner automatically activates position control, for example).

Commissioning via parameter (only with BOP20)

The function modules can be activated/de-activated using parameter p0108 of the Control Unit (CU). The READY LED on the main component of the drive object can be made to flash by means of parameter p0124 (CU).

Overview of important parameters (refer to the SINAMICS S110 List Manual)

- p0108 Drive objects, function module
- p0124 Identifying the main components using LEDs

7.2 Technology controller

Features

Simple control functions can be implemented with the technology controller, e.g.:

- Fill level control
- Temperature control
- Dancer position control
- Pressure control
- Flow control
- Simple closed-loop controls without higher-level controller
- Tension control

The technology controller features:

- Two scalable setpoints
- Scalable output signal
- Separate fixed values
- Integrated motorized potentiometer
- The output limits can be activated and deactivated via the ramp-function generator.
- The D component can be switched into the control deviation or actual value channel.
- The motorized potentiometer of the technology controller is only active when the drive pulses are enabled.

Description

The technology controller is designed as a PID controller, whereby the differentiator can be switched to the control deviation channel or the actual value channel (factory setting). The P, I, and D components can be set separately. A value of 0 deactivates the corresponding component. Setpoints can be specified via two connector inputs. The setpoints can be scaled via parameters (p2255 and p2256). A ramp-function generator in the setpoint channel can be used to set the setpoint ramp-up/ramp-down time via parameters p2257 and p2258. The setpoint and actual value channel each have a smoothing element. The smoothing time can be set via parameters p2261 and p2265.

The setpoints can be specified via separate fixed setpoints (p2201 to p2215), the motorized potentiometer, or via the field bus (e.g. PROFIBUS).

Pre-control can be integrated via a connector input.

The output can be scaled via parameter p2295 and the control direction reversed. It can be limited via parameters p2291 and p2292 and interconnected as required via a connector output (r2294).

The actual value can be integrated, for example, via an analog input on the TB30.

If a PID controller has to be used for control reasons, the D component is switched to the setpoint/actual value difference (p2263 = 1) unlike in the factory setting. This is always necessary when the D component is to be effective, even if the reference variable changes. The D component can only be activated when p2274 > 0.

Commissioning with STARTER

The "technology controller" function module can be activated via the commissioning wizard or the drive configuration (configure DDS).

You can check the actual configuration in parameter r0108.16.

Application example: Fill level control

The objective here is to maintain a constant level in the container.

This is carried out by means of a variable-speed pump in conjunction with a sensor for measuring the level.

The level is determined via an analog input (e.g. AI0 on TB30) and sent to the technology controller. The level setpoint is defined in a fixed setpoint. The resulting controlled variable is used as the setpoint for the speed controller.

In this example, a Terminal Board 30 (TB30) is used.

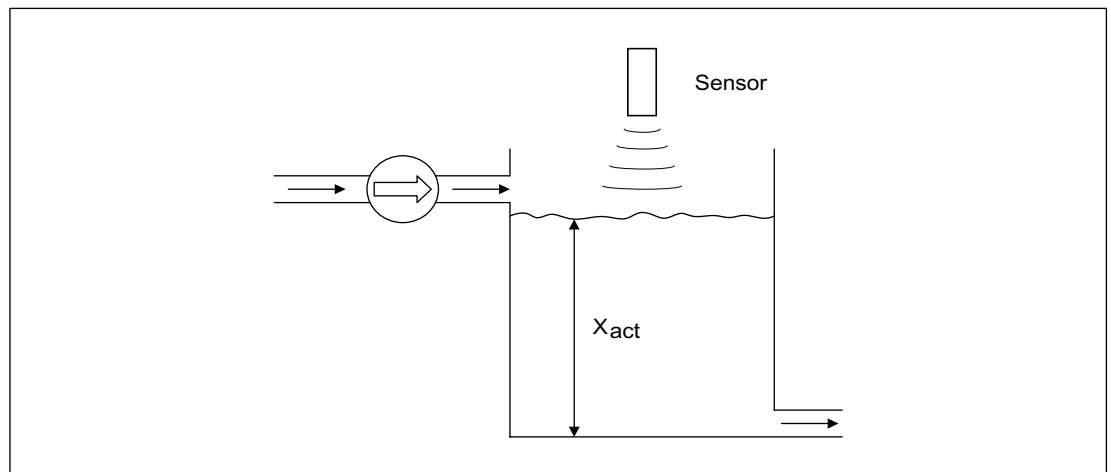


Figure 7-1 Fill level control: Application

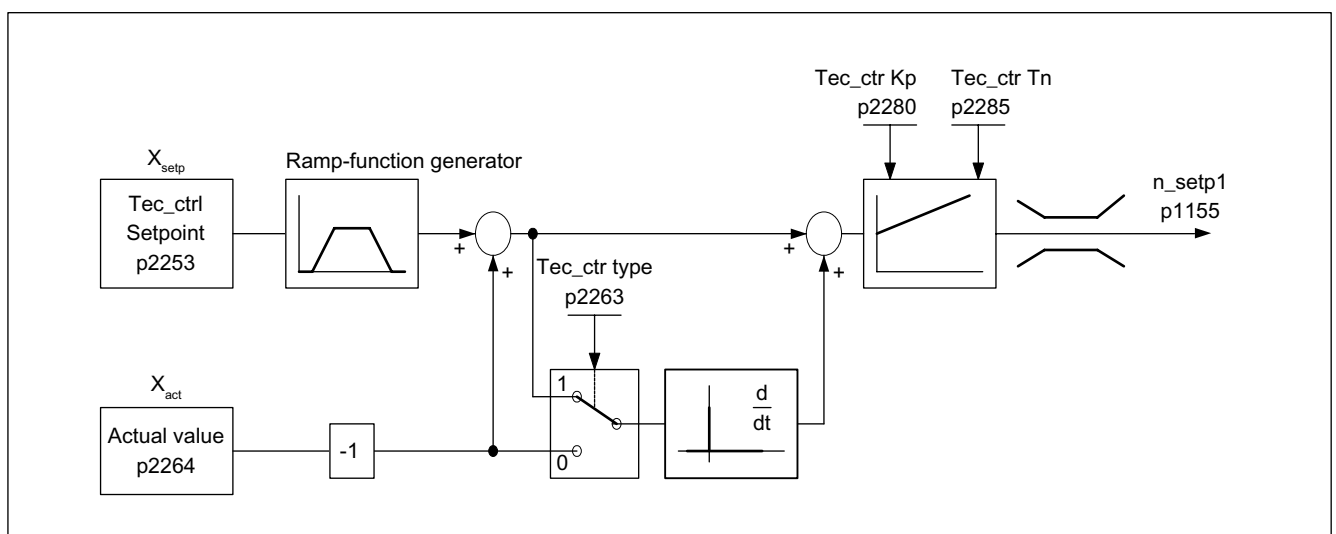


Figure 7-2 Fill level control: Controller structure

Table 7- 1 Important parameters for the level control

Parameter	Designation	Example
p1155	n_setp1 downstream of RFG	p1155 = r2294 Tec_ctrl output_sig [3080]
p2200	BI: Technology controller enable	p2200 = 1 Technology controller enabled
p2253	CI: Technology controller setpoint 1	p2253 = r2224 Fixed setpoint active [7950]
p2263	Technology controller type	p2263 = 1 D component in fault signal [7958]
p2264	CI: Technology controller actual value (X _{ACTUAL})	p2264 = r4055 [1] Analog input AI1 of TB30
p2280	Technology controller p-gain	p2280 Determine by optimization
p2285	Technology controller integral action time	p2285 Determine by optimization

Function diagrams (see SINAMICS S120/S150 List Manual)

- 7950 Fixed values (r0108.16 = 1)
- 7954 Motorized potentiometer (r0108.16 = 1)
- 7958 Closed-loop control (r0108.16 = 1)

Overview of important parameters (see SINAMICS S120/S150 List Manual)

Fixed setpoints

- p2201[0...n] CO: Technology controller, fixed value 1
- ...
- p2215[0...n] CO: Technology controller, fixed value 15
- p2220[0...n] BI: Technology controller fixed value selection bit 0
- p2221[0...n] BI: Technology controller fixed value selection bit 1
- p2222[0...n] BI: Technology controller fixed value selection bit 2
- p2223[0...n] BI: Technology controller fixed value selection bit 3

Motorized potentiometer

- p2230[0...n] Technology controller motorized potentiometer configuration
- p2235[0...n] BI: Technology controller motorized potentiometer, setpoint, raise
- p2236[0...n] BI: Technology controller motorized potentiometer, setpoint, lower
- p2237[0...n] Technology controller motorized potentiometer, maximum value
- p2238[0...n] Technology controller motorized potentiometer, minimum value
- p2240[0...n] Technology controller motorized potentiometer, start value
- r2245 CO: Technology controller motorized potentiometer, setpoint before RFG
- p2247[0...n] Technology controller motorized potentiometer, ramp-up time

- p2248[0...n] Technology controller motorized potentiometer, ramp-down time
- r2250 CO: Technology controller motorized potentiometer, setpoint after RFG

Closed-loop control

- p2200 BI: Technology controller enable
- p2253[0...n] CI: Technology controller setpoint 1
- p2254 [0...n] CI: Technology controller setpoint 2
- p2255 Technology controller setpoint 1 scaling
- p2256 Technology controller setpoint 2 scaling
- p2257 Technology controller ramp-up time
- p2258 Technology controller ramp-down time
- p2261 Technology controller setpoint filter time constant
- p2263 Technology controller type
- p2264[0...n] CI: Technology controller actual value
- p2265 Technology controller actual value filter time constant
- p2280 Technology controller proportional gain
- p2285 Technology controller integral action time
- p2289[0...n] CI: Technology controller pre-control signal
- p2295 Technology controller output scaling

7.3 Extended monitoring functions

When the extension is activated, the monitoring functions are extended as follows:

- Speed setpoint monitoring: $|n_setp| \leq p2161$
- Speed setpoint monitoring: $n_set > 0$
- Load monitoring

Description of load monitoring

This function monitors power transmission between the motor and the working machine. Typical applications include V-belts, flat belts, or chains that loop around the belt pulleys or cog wheels for drive and outgoing shafts and transfer the peripheral speeds and forces. Load monitoring can be used here to identify blockages in the working machine and interruptions to the power transmission.

During load monitoring, the current speed/torque curve is compared with the programmed speed/torque curve (p2182 to p2190). If the current value is outside the programmed tolerance bandwidth, a fault or alarm is triggered depending on parameter p2181. The fault or alarm message can be delayed by means of parameter p2192 to prevent false messages caused by brief transitional states.

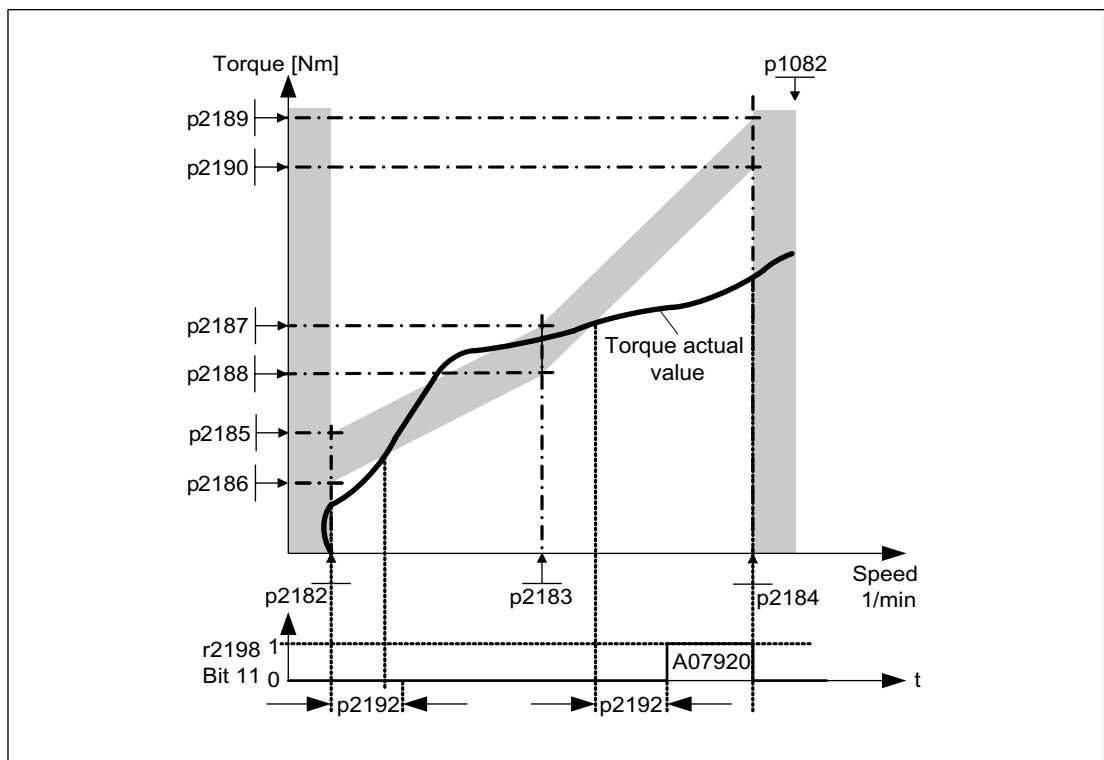


Figure 7-3 Load monitoring

Commissioning

The extended monitoring functions are activated while the commissioning wizard is running. Parameter r0108.17 indicates whether it has been activated.

Function diagrams (see SINAMICS S120/S150 List Manual)

- 8010 Speed messages
- 8013 Load monitoring

Overview of important parameters (see SINAMICS S120/S150 List Manual)

Load monitoring

- p2181[D] Load monitoring response
- p2182[D] Load monitoring speed threshold 1
- p2183[D] Load monitoring speed threshold 2
- p2184[D] Load monitoring speed threshold 3
- p2185[D] Load torque monitoring torque threshold 1 upper
- ...
- p2190[D] Load torque monitoring torque threshold 3 lower
- p2192[D] Load monitoring delay time

Speed setpoint monitoring

- p2150[D] Hysteresis speed 3
- p2151[C] CI: Speed setpoint
- p2161[D] Speed threshold value 3
- r2198.4 BO: ZSW monitoring 2, $|n_setp| \leq p2161$
- r2198.5 BO: ZSW monitoring 2, $n_setp < 0$

7.4 Extended brake control

Features

The extended brake control function has the following features:

- Forced brake release (p0855, p1215)
- Application of brake for a 1 signal "unconditionally close holding brake" (p0858)
- Binector inputs for releasing/applying the brake (p1218, p1219)
- Connector input for threshold value for releasing/applying the brake (p1220)
- OR/AND block, each with two inputs (p1279, r1229.10, p1229.11)
- Holding and operational brakes can be activated.
- Function for monitoring brake feedback signals (r1229.4, r1229.5)
- Configurable responses (A7931, A7932)
- Application of brake after "Enable speed controller" signal has been canceled (p0856)

Description

The "Extended brake control" function allows complex braking control for motor holding brakes and operational brakes.

The brake is controlled as follows (the sequence reflects the priority):

- Via parameter p1215
- Via binectors p1219[0...3] and p0855
- Via zero speed detection
- Via a connector interconnection threshold value

For an AC drive with "Safe Brake Relay," the "Safe Brake Control" safety function requires that the type of the brake control must be set, in parameter p1278, to "Brake control with diagnostic evaluation" (p1278 = 0). This parameter is automatically set for booksize components.

Commissioning

The extended brake control function is activated while the commissioning wizard is running. Parameter r0108.14 indicates whether the function module has been activated.

Unless you change the default settings, the extended brake control function behaves in exactly the same way as the simple brake control function.

Brake control will be activated automatically (p1215 = 1) when the Motor Module has an internal brake control and a connected brake has been found.

If no internal brake control is available, the control can be activated using a parameter (p1215 = 3).

In the case of brakes with a feedback signal (p1222), the inverted signal must be connected to the BICO input for the second (p1223) feedback signal. The brake closing and opening times can be set in p1216 and p1217.

Note

If p1215 = 0 (no brake available) is set when a brake is present, the drive runs with applied brake. This can destroy the brake.

CAUTION

Brake control monitoring may only be activated for booksize power units and blocksize power units with Safe Brake Relay (p1278 = 0).

Examples**Start-up with brake applied**

When the motor is switched on, the setpoint is enabled immediately (providing the required enabling signals have been issued) even if the brake has not yet been released (p1152 = 1). The factory setting p1152 = r0899.15 must be disconnected. The drive starts to generate torque against the applied brake. The brake is not released until the motor torque or current (p1220) has exceeded braking threshold 1 (p1221). Depending on the type and version of the brake, it may take some time for it to be fully released. Note that once the braking threshold torque has been exceeded, the operation enabling signal (p0899.2) is interrupted while the brake is being released (p1216) to ensure that the motor current does not exceed the permissible limit values during this period and/or the motor torque generated does not damage the brake. Interval p1216 must be set on the basis of the time the brake actually requires to release.

Emergency brake

If emergency braking is required, the brake must be applied both electrically and mechanically. This can be achieved by using OFF3 as a tripping signal for emergency braking:
p1219[0] = r0898.2 and p1275.00 = 1 (OFF3 to "Apply Brake Immediately" and invert signal).

To ensure that frequency converter does not operate against the brake, the OFF3 ramp (p1135) should be set to 0 seconds. Regenerative energy can be generated, which must be either fed back to the supply system or dissipated by means of a braking resistor.

Operating brake for crane drives

For hoisting gear with a manual control, it is important that the drive immediately responds when the control lever is moved (master switch). The drive is switched on with an ON command (p0840) (the pulses are enabled). Speed setpoint (p1142) and speed controller (p0856) are inhibited. The motor is magnetized. The magnetization time required for three-phase motors (1-2 seconds), therefore, no longer applies.

The only delay now between actuation of the master switch and movement of the motor is the brake release time. If the master switch is moved (deflected), there is a "setpoint enable from the control" (bit interconnected with p1142, p1229.2, p1224.0). The speed controller is enabled immediately. Once the brake release time has elapsed (p1216), the speed setpoint is enabled. When the master switch is in the zero position, the speed setpoint is inhibited - the drive brakes along the deceleration ramp of the ramp-function generator. The brake

closes when the speed drops below the standstill limit (p1226). After the brake closing time (p1217), the speed controller is inhibited (no motor force!). Uses extended brake control.

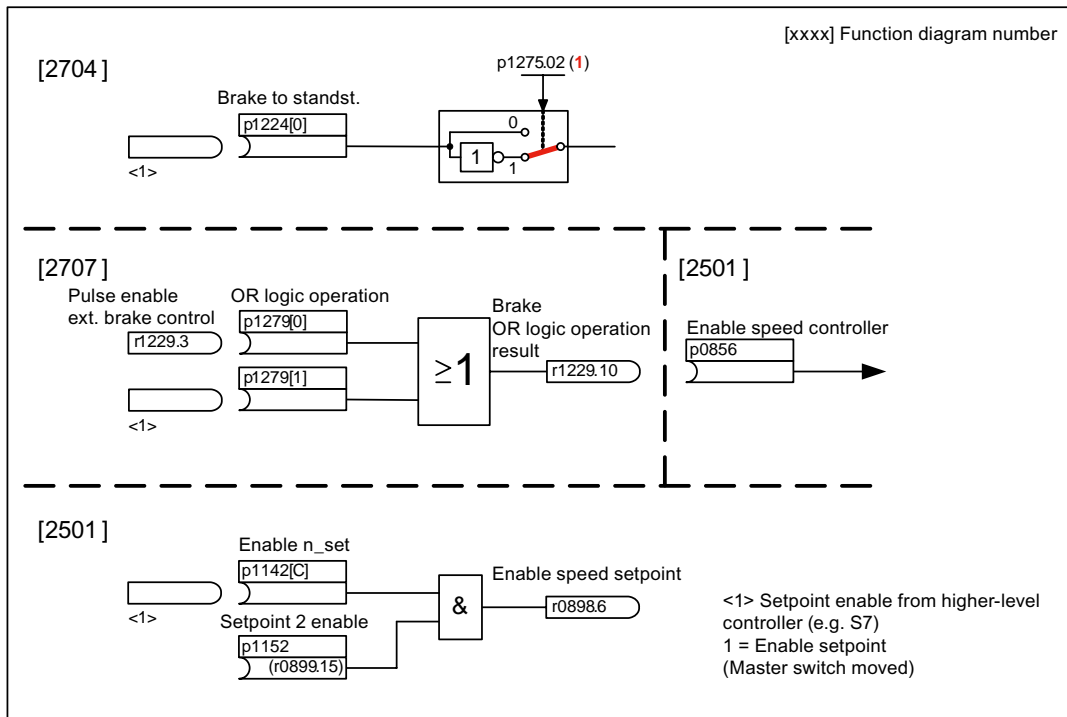


Figure 7-4 Example, operating brake for a crane drive

Control and status messages for extended brake control

Table 7-2 Control: Extended brake control

Signal name	Binector input	Control word sequence control / interconnection parameters
Enable speed setpoint	p1142 BI: Enable speed setpoint	STWA.6
Enable setpoint 2	p1152 BI: Setpoint 2 enable	p1152 = r899.15
Unconditionally release holding brake	p0855 BI: Unconditionally release holding brake	STWA.7
Enable speed controller	p0856 BI: Enable speed controller	STWA.12
Unconditionally close holding brake	p0858 BI: Unconditionally close holding brake	STWA.14

Table 7- 3 Status message: Extended brake control

Signal name	Parameter	Brake status word
Command, open brake (continuous signal)	r1229.1	B_ZSW.1
Pulse enable, extended brake control	r1229.3	B_ZSW.3
Brake does not open	r1229.4	B_ZSW.4
Brake does not close	r1229.5	B_ZSW.5
Brake threshold exceeded	r1229.6	B_ZSW.6
Value below brake threshold	r1229.7	B_ZSW.7
Brake monitoring time expired	r1229.8	B_ZSW.8
Request, pulse enable missing/n_ctrl inhibited	r1229.9	B_ZSW.9
Brake OR logic operation result	r1229.10	B_ZSW.10
Brake AND logic operation result	r1229.11	B_ZSW.11

Function diagrams (see SINAMICS S120/S150 List Manual)

- 2704 Zero speed detection (r0108.14 = 1)
- 2707 Release and apply brake (r0108.14 = 1)
- 2711 Signal outputs (r0108.14 = 1)

Overview of important parameters (see SINAMICS S120/S150 List Manual)

- r0108.14 Extended brake control
- r0899 CO/BO: Status word sequence control

Standstill (zero-speed) monitoring

- r0060 CO: Speed setpoint before the setpoint filter
- r0063 CO: Actual speed value after actual-value smoothing (servo)
- r0063[0...2] CO: Actual speed value (vector)
- p1225 CI: Standstill detection, threshold value
- p1226 Threshold for zero speed detection
- p1227 Zero speed detection monitoring time
- p1228 Zero speed detection, delay time
- p1224[0...3] BI: Close motor holding brake at standstill
- p1276 Motor holding brake standstill detection bypass

Release and apply the brake

- p0855 BI: Unconditionally release holding brake
- p0858 BI: Unconditionally close holding brake

- p1216 Holding brake release time
- p1217 Holding brake application time
- p1218[0...1] BI: Open motor holding brake
- p1219[0...3] BI: Immediately close motor holding brake
- p1220 CI: Open motor holding brake, signal source, threshold
- p1221 Open motor holding brake threshold
- p1277 Motor holding brake delay braking threshold exceeded

Free blocks

- p1279 BI: Motor holding brake, OR/AND logic operation

Brake monitoring functions

- p1222 BI: Motor holding brake, feedback signal, brake closed
- p1223 BI: Motor holding brake, feedback signal, brake open

Configuration, control/status words

- p1215 Motor holding brake configuration
- r1229 CO/BO: Motor holding brake status word
- p1275 Motor holding brake control word
- p1278 Motor holding brake type

7.5 Braking Module

Features

- Braking the motor without any possibility of regenerating into the line supply (e.g. power failure)
- Fast DC link discharge (booksize format)
- The Braking Module terminals are controlled via the drive object infeed (booksize and chassis format)
- Controlling up to 8 Braking Modules in a parallel connection.
- Acknowledging faults at the Braking Module

Description

The "Braking Module" function module can be activated in the infeed drive object. The appropriate binectors must be interconnected via digital inputs/outputs (e.g.: Control Unit, TM31 or TB30) with the Braking Module.

In order to obtain the maximum power of a Braking Module, the Vdc_max control must be disabled.

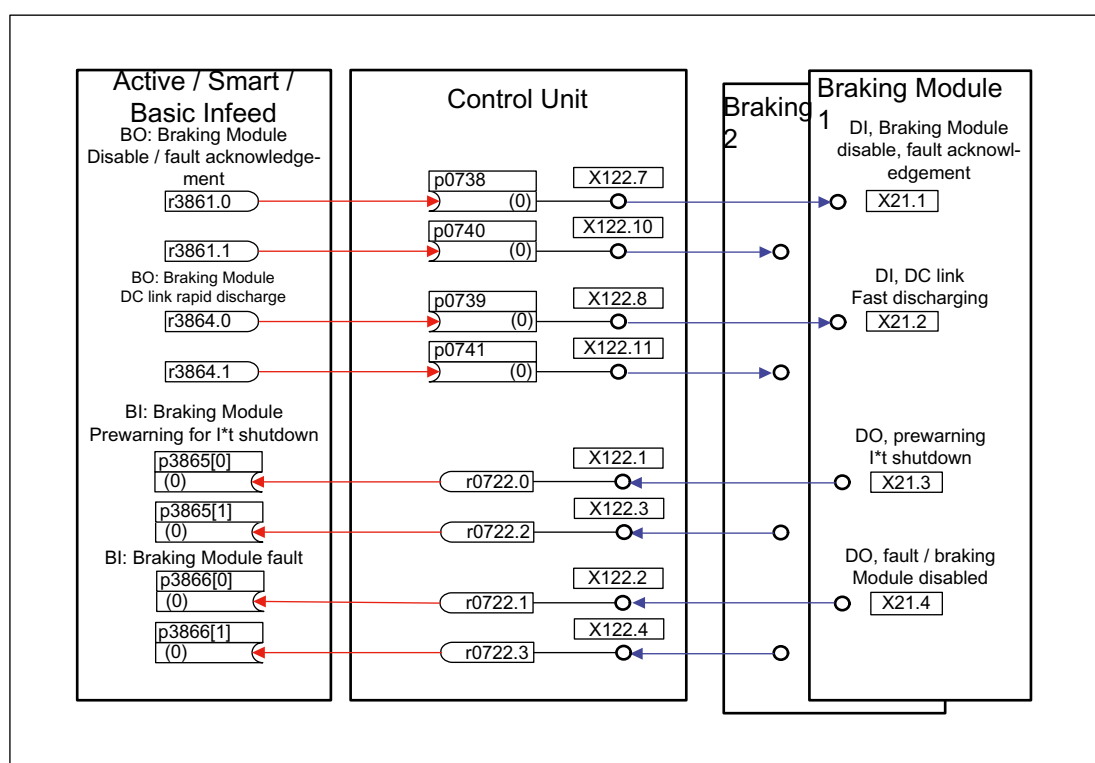


Figure 7-5 Example of controlling two booksize Braking Modules

Acknowledgement of faults

When the Braking Module issues a fault message at binector input p3866, an attempt is made to acknowledge the fault using signal p3861 at terminal X21.1 booksize or X21.3 chassis every 10 ms. Alarm A06900 is output simultaneously.

Fast DC link discharge (booksize)

It is only possible to quickly discharge the DC link via the Braking Module for the booksize format. It is activated via binector input p3863 and started after the line contactor opens and the adjustable delay time (p3862) has expired. The fast discharge is completed when the line contactor contact closes.

NOTICE

A fast DC link discharge requires the use of a line contactor with feedback signal (p0860) that is controlled via r0863.1.
--

Overview of important parameters (see SINAMICS S120/S150 List Manual)

- r0108.26 Drive object function module - Braking Module
- p3860 Braking Module number of modules connected in parallel
- r3861.0...7 BO: Braking Module inhibit/acknowledgement
- p3862 Braking Module DC link fast discharge delay time
- p3863 BI: Braking Module activate DC link fast discharge
- p3864.0...7 BO: Braking Module DC link fast discharge
- p3865[0...7] BI: Braking Module pre-alarm I*t shutdown
- p3866[0...7] BI: Braking Module fault

7.6 Cooling unit

Features

- Control and monitoring functions of a cooling unit
- Automatically activated when using water-cooled power units
- Evaluation of a leakage water sensor (p0266.4)
- Evaluation of a water flow sensor (p0266.5, p0260, p0263)
- Evaluation of a conductivity sensor (p0266.6, p0266.7, p0261, p0262)
- Monitoring the water intake temperature using internal temperature sensors
- Monitoring the flow rating using internal temperature sensors

Description

A cooling unit (RKA) is responsible for cooling the water and the (non) conductivity in the de-ionized water cooling circuit of a water-cooled power unit. The cooling unit is controlled and monitored from a PLC that is part of the cooling unit. The "cooling unit" function module described here is used as an interface between the closed-loop control and the external control (open-loop) (PLC) of the cooling unit.. The cooling unit is controlled via terminals (e.g. Control Unit, TM31).

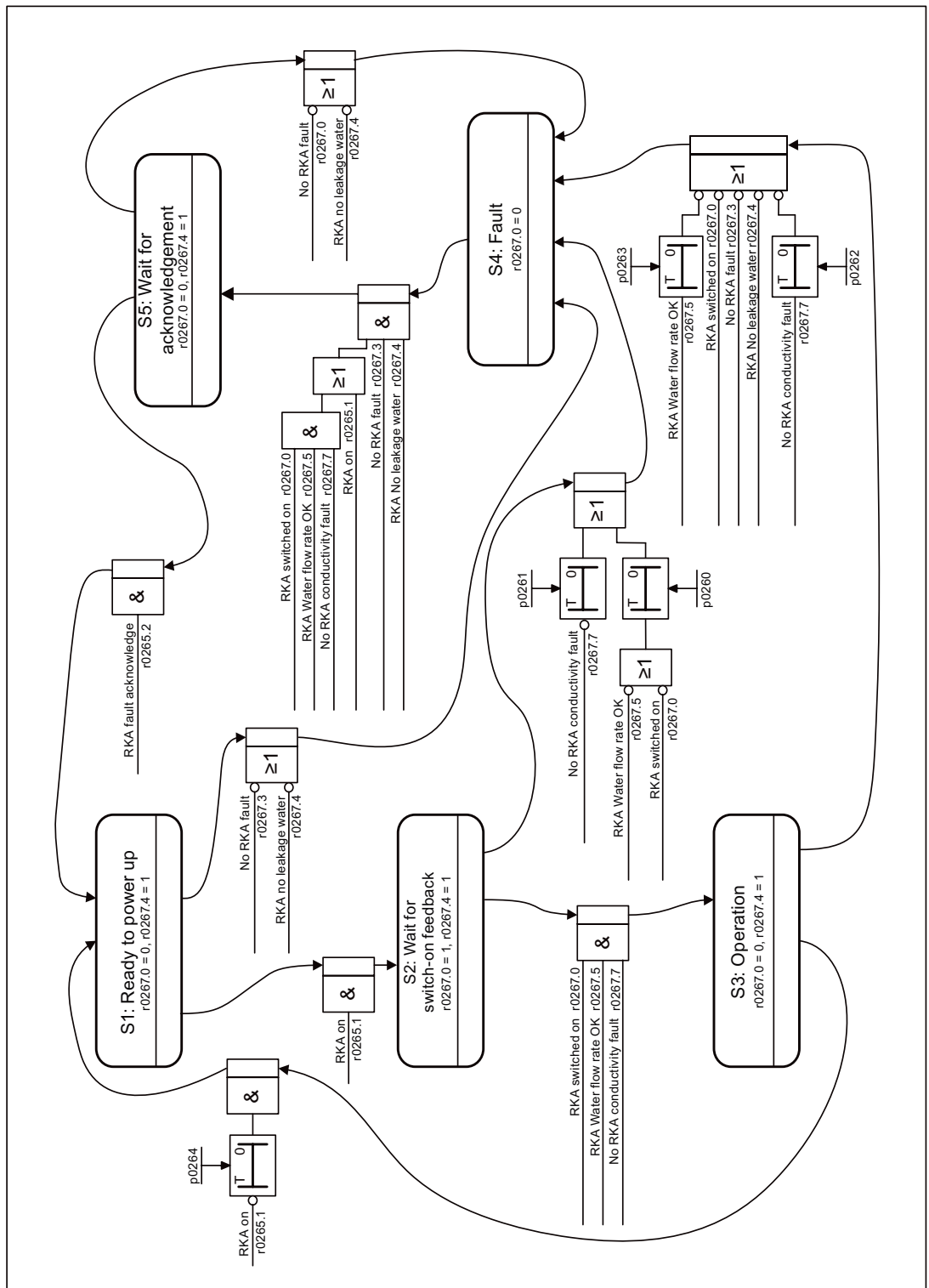


Figure 7-6 Sequence control cooling unit

Function diagrams (see SINAMICS S120/S150 List Manual)

- 9794 Cooling unit, control and feedback signals
- 9795 Cooling unit sequence control

Overview of important parameters (see SINAMICS S120/S150 List Manual)

- r0046.29 Missing enable signals - cooling unit ready missing
- p0192.06 Power unit firmware properties - water cooling
- r0204.06 Power unit hardware properties - water cooling
- p0260 Cooling unit, starting time 1
- p0261 Cooling unit, starting time 2
- p0262 Cooling unit fault conductivity delay time
- p0263 Cooling unit fault water flow delay time
- p0264 Cooling unit, run-on time
- r0265 BO: Cooling unit control word
- p0266[0...7] BI: Cooling unit signal source feedback signals
- r0267 BO: Cooling unit status word display

7.7 Extended torque control (kT estimator, Servo)

Description

The "extended torque control" function module comprises two modules - the k_T estimator and the compensation of the voltage emulation error of the drive converter. This allows the torque accuracy to be increased.

Note

When this function module is activated, the maximum number of drives that can be controlled from a Control Unit is reduced by at least one drive.

Features

- k_T estimator (only for synchronous motors)
- Compensation of the voltage emulation error of the drive converter (p1952, p1953)
- Configuration via p1780

Commissioning via STARTER

The extended torque control can be activated offline via: Right-click the drive > Properties > Function Modules. It must then be downloaded to the target system.

Parameter r0108.1 indicates whether it has been activated.

Description of the k_T estimator

The adaptation of the torque constants for synchronous motors is used to improve the absolute torque accuracy for the control (closed-loop) of synchronous motors. The magnetization of the permanent magnets varies as a result of production tolerances and temperature fluctuations and saturation effects. This function "kT estimator" adapts the torque constant k_T [Nm/A] in the control to the instantaneous magnetization. It only makes sense to use the k_T estimator in conjunction with the friction characteristic as the k_T estimator can only correct the inner motor torque. The frictional losses must be compensated from the friction characteristic using a supplementary torque.

The k_T estimator requires the most accurate values for the motor parameters as possible in order to achieve a high torque accuracy. Before using the k_T estimator, it is therefore necessary to carry out a motor identification routine (p1909, p1910) with the k_T estimator activated; this determines the values for the stator resistance (p0350), leakage inductance (p0356) and voltage emulation errors (p1952, p1953). The cable resistance must be entered in p0352 before motor identification.

The motor should be at room temperature when the identification routine is carried out. Compensation of the voltage emulation error must be activated (p1780.8 = 1). The motor temperature (p0600) should be recorded via a KTY sensor (p0601 = 2 or 3).

The estimator requires the motor temperature in order to track/correct the temperature-dependent quantities. If a motor temperature sensor is not connected, then the accuracy is significantly restricted.

The k_T estimator is only activated above a specific speed (p1752). The terminal voltage of the drive converter always has small errors, caused by voltage drops across the power semiconductors etc. The lower the speed and therefore the output voltage, the greater the negative influence on the estimation as a result of low voltage errors. This is the reason that the estimation is de-activated below a specific speed. The estimated value is smoothed using time constant p1795. The correction value for the torque constant is displayed in r1797. By identifying the torque constant k_T using the rotating motor identification routine, the torque accuracy can be improved also below the speed threshold (p1752).

The k_T estimator is activated using p1780.3 and the voltage compensation using p1780.8.

Function diagrams (see SINAMICS S120/S150 List Manual)

- 7008 k_T estimator

Overview of important parameters (see SINAMICS S120/S150 List Manual)

- r0108.1 Function module - extended torque control active
- p1780.3 Selects motor model PEM k_T adaptation
- p1780.8 Compensation of the voltage emulation error in the drive converter

Motor/drive converter identification

- p0352 Cable resistance
- p1909 Motor data identification control word
- p1910 Activates motor data identification routine, stationary (standstill)

k_T estimator

- p1752 Motor model, changeover speed operation with encoder
- p1795 Motor model PEM k_T adaptation smoothing time
- r1797 Motor model PEM k_T adaptation correction value

Compensation of the voltage emulation error of the drive converter

- p1952 Voltage emulation error, final value
- p1953 Voltage emulation error, current offset

7.8 Closed-loop position control

7.8.1 General features

The position controller essentially comprises the following parts:

- Position actual value conditioning (including the lower-level measuring probe evaluation and reference mark search)
- Position controller (including limits, adaptation and the pre-control calculation)
- Monitoring functions (including standstill, positioning, dynamic following error monitoring and cam signals)
- There is still no position actual value conditioning for distance-coded measuring systems.
- Position tracking of the load gear (motor encoder), using absolute encoders for rotary axes (modulo) as for linear axes.

7.8.2 Position actual value conditioning

7.8.2.1 Features

- Correction value (p2512, p2513)
- Setting value (p2514, p2515)
- Position offset (p2516)
- Position actual value (r2521)
- Velocity actual value (r2522)
- Motor revolutions (p2504)
- Load revolutions (p2505)
- Spindle pitch (p2506)
- Position tracking (p2720ff)

7.8.2.2 Description

The position actual value conditioning implements the conditioning of the position actual value in a neutral position unit LU (LENGTH UNIT). To do this, the function block uses the encoder evaluation/motor control with the available encoder interfaces Gn_XIST1, Gn_XIST2, Gn_STW and Gn_ZSW. These just provide position information in encoder pulses and fine resolution (increments).

The position actual value is conditioned independently of whether the position controller is enabled immediately after the system has booted and as soon as valid values are received via the encoder interface.

Parameter p2502 (encoder assignment) is used to define from which encoder (1, 2 or 3), the position actual value is sensed.

The following interconnections are automatically established after the assignment has been made.

- p0480[0] (G1_STW) = encoder control word r2520[0]
- p0480[1] (G2_STW) = encoder control word r2520[1]
- p0480[2] (G3_STW) = encoder control word r2520[2]

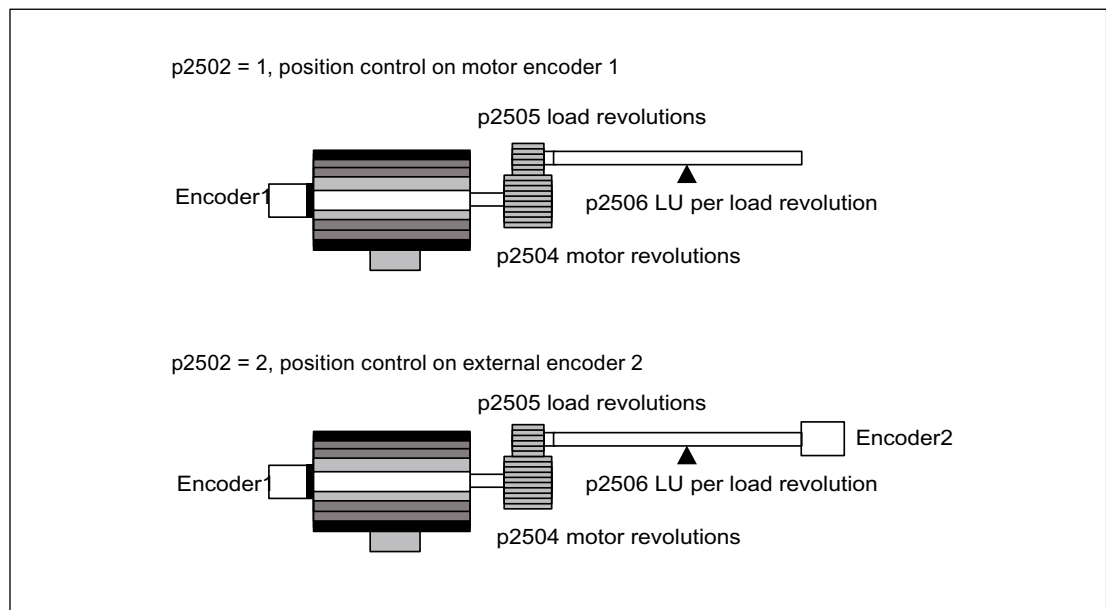


Figure 7-7 Position actual value sensing with rotary encoders

The link between the physical variables and the neutral length unit LU is established via parameter p2506 (LU per load revolution) for rotary encoders. Parameter p2506 mirrors, together with p2504, p2505, the interrelationship between encoder increments and the neutral position unit LU.

Example:

Rotary encoder, ball screw with a pitch of 10 mm/revolution. 10 mm should have a resolution of 1 µm (i.e. 1 LU = 1 µm).

-> One load revolution corresponds to 10000 LU

-> p2506 = 10000

Note

The effective actual value resolution is obtained from the product of the encoder pulses (p0408) and the fine resolution (p0418) and a measuring gear that is possibly being used (p0402, p0432, p0433).

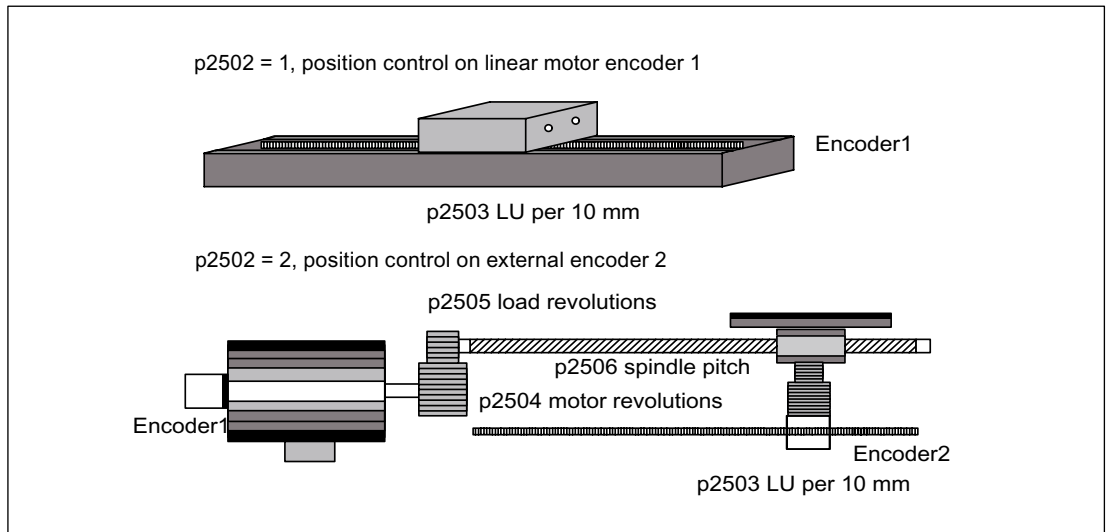


Figure 7-8 Position actual value sensing with linear encoders

For linear encoders, the interrelationship between the physical quantity and the neutral length unit LU is configured using parameter p2503 (LU/10 mm).

Example:

Linear encoder, 10 mm should have a resolution of 1 μm (i.e. 1 LU = 1 μm).

-> p2503 = 10000

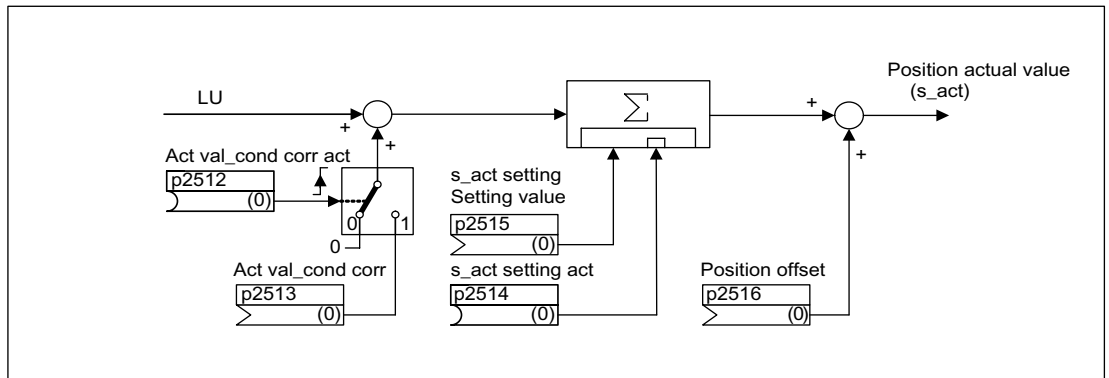


Figure 7-9 Position actual value conditioning

A correction can be made using connector input p2513 (correction value, position actual value conditioning) and a positive edge at binector input p2512 (activates the correction value). When the "basic positioning" function module is activated, p2513 is automatically interconnected with r2685 (EPOS correction value) and p2512 with r2684.7 (activate correction). This interconnection enables modulo offset by EPOS, for example.

p2516 can be used to switch in position offset. Using EPOS, p2516 is automatically interconnected to r2667. Backlash compensation is implemented using this interconnection.

Using the connector input p2515 (position setting value) and a "1" signal at binector input p2514 (set position actual value), a position setting value can be entered.

 **WARNING**

When the actual position value is set (p2514 = "1" signal), the actual position value of the position controller is kept at the value of connector p2515 as standard.

Incoming encoder increments are not evaluated. A difference in position cannot be compensated for in this situation.

An inversion of the actual position value resulting from the encoder is undertaken using parameter p0410. An inversion of the axis motion can be entered using a negative value in p2505.

7.8.2.3 Indexed actual value acquisition

Features

- Encoder assignment (p2502[D])
- Absolute encoder adjustment (p2507[E])
- Activate measuring probe evaluation (p2509[0...3])
- Measuring probe evaluation selection (p2510[0..3])
- Measuring probe edge (p2511[0..3])
- Activate position actual value conditioning, correction value (p2512[0...3])
- Position actual value conditioning, correction value (p2513[0...3])
- Position offset (p2516[0...3])
- Position actual value (r2521[0...3])
- Velocity actual value (r2522[0...3])
- Measuring probe evaluation/Reference mark search (p2523[0..3])
- Encoder adjustment, offset (p2525[E])
- Status word position controller (r2526)
- Status word encoder1 (r2527)
- Status word encoder2 (r2528)
- Status word encoder3 (r2529)
- EPOS reference point coordinate, signal source (p2598[0...3])
- Function diagram 4010 Position control - Position actual value conditioning

Description

The indexed position actual value acquisition permits e.g. length measurements on parts as well as the detection of axis positions by a higher-level controller (e.g. SIMATIC S7) in addition to the position control e.g. of a belt conveyor.

Two more encoders can be operated in parallel with the encoders for actual value preprocessing and position control in order to collect actual values and measured data.

The indexed acquisition of actual values can preprocess a position actual value at each of the three encoder outputs. The parameter p2502[0...3] is used to select the encoder evaluation for position control.

The parameters of the indexed actual value acquisition are indexed four times. The indexes 1..3 are assigned to the encoder evaluations 1..3. The index 0 is assigned to position control.

The parameter r2521[0...3] can be used to retrieve the current actual values of all connected encoders. For example, the position actual value for position control in r2521[0] is identical with the value r2521[1] if the position control uses encoder evaluation 1. The signal source for a position offset can be set in parameter p2516[0...3].

The absolute encoder adjustment is initiated via p2507[0...3].2, and its successful completion is reported via p2507[0...3].3. The signal source "Reference point coordinate for the position controller" p2598[0] is interconnected with p2599 during basic positioning. The other signal sources are not interconnected in the standard configuration.

The measuring probe evaluation can be enabled for the encoder evaluation x, which is not assigned to position control, via p2509[x]. The signal sources are assigned via p2510[0...3], the edge evaluation is set via p2511[0...3]. The measured value is then available in r2523[x] if the status word for encoder x (Geber 0: r2526.0..9, encoder1: 2627.0..2, encoder2: r2628.0..2, encoder3: r2529.0..2) has the "Valid measurement" bit set.

The current values of the position actual values of the different encoders can be read out via parameter r2521[0...3]. These position actual values can be corrected with a signed value from p2513[0...3] after a 0/1 signal from the signal source in p2512[0...3].

In addition, the velocity actual value (r2522[0...3]) and the position offset for absolute encoders p2525[0...3] can be processed for each encoder by the higher-level controller.

7.8.2.4 Load gear position tracking

Features

- Configuration via p2720
- Virtual multiturn via p2721
- Tolerance window for monitoring the position at switching on p2722
- Input of the load gear via p2504 and p2505
- Display via r2723

Requirements

- CU320 with Order No. 6SL3040-- 0AA1 and Version C or higher or CU310
- Firmware release from FW2.5
- Absolute encoder

Description

Position tracking enables reproduction of the position of the load when gears are used. It can also be used to extend the position area.

Position tracking for load gear functions in the same way as position tracking for the measuring gear (see "Position tracking/Measuring gear"). Position tracking is activated via parameter p2720.0 = 1. The position tracking of the load gear, however, is only relevant for the motor encoder (encoder 1). The load gear ratio is entered via parameters p2504 and p2505. Position tracking can be activated with rotary axes (modulo) and linear axes.

Position tracking for the load gear can only be activated once for each motor data set MDS.

The load position actual value in r2723 (must be requested via Gn_STW.13, see chapter "Control and status words for encoders") comprises the following information:

- Encoder pulses per revolution (p0408)
- Fine resolution per revolution (p0419)
- Virtual number of stored revolutions of a rotary absolute encoder (p2721)
- Load gear ratio (p2504/p2505)
- Measuring gear ratio (p0433/p0432), if p0411.0 = 1

Note

The sum of p0408, p0419 and p2721 is limited to 32 bits.

Example: Absolute encoder can count 8 encoder revolutions (p0421 = 8)

Note

Load gear problems and solutions, see example in chapter Position tracking -> Measuring gear.

Example of position area extension

With absolute encoders without position tracking, it must be ensured that the traversing range is 0 smaller than half the encoder range, because beyond this range, no unique reference remains after switching on and off (see description on parameter p2507). This traversing range can be extended using the virtual multiturn (p2721).

The following diagram illustrates an absolute encoder that can represent 8 encoder revolutions (p421 = 8).

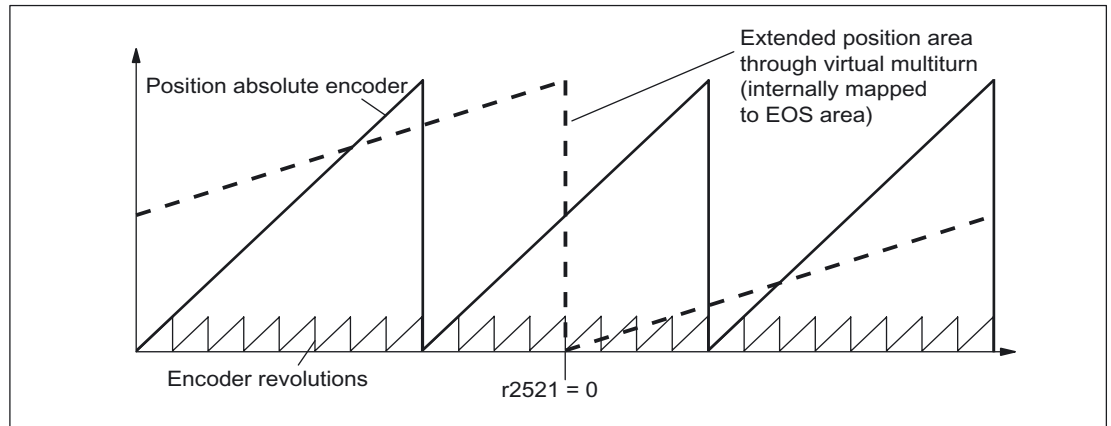


Figure 7-10 Position tracking (p2721 = 24), setting p2504 = p2505 = 1 (gear factor = 1)

In this example, this means:

Without position tracking, the position for +/- 4 encoder revolutions about r2521 = 0 LU can be reproduced.

With position tracking, the position for +/- 12 encoder revolutions (+/- 12 load revolutions with load gear) can be reproduced (p2721 = 24).

Practical example:

For a linear axis, the value for p2721 is set to 262144 for an encoder with p0421 = 4096. That means, +/- 131072 encoder revolutions or load revolutions can be reproduced in this way.

For a rotary axis, a value for p2721 = p0421 is set for an encoder.

Configuration of the load gear (p2720).

The following points can be set by configuring this parameter:

- p2720.0: Activation of position tracking
- p2720.1: Setting the axis type (linear axis or rotary axis)
Here, a rotary axis refers to a modulo axis (modulo offset can be activated through higher-level control or EPOS). With a linear axis, position tracking is mainly used to extend the position area (see section: Virtual multiturn encoder (p2721)).
- p2720.2: Reset position
The position values stored in non-volatile memory are reset in response to the following events:
 - When encoder replacement is detected.
 - When the configuration of the encoder data set (EDS) is modified.
 - When the absolute encoder is adjusted again.

Note

If position tracking of the load gear is activated with parameter p2720[0]=1 (position gear load tracking) after the encoder is adjusted (p2507=3), the adjustment will be reset.

If the encoder is adjusted again when load position tracking is active, the load gear position will be reset (overflows).

The permissible position tracking range is mapped onto the reproducible encoder range of EPOS.

Position tracking can be activated in FW2.5 SP1 only for one DDS.

With FW version V2.6 and higher, position tracking can be active in more than one DDS.

Virtual multiturn encoder (p2721)

The number of resolvable load rotations for a rotary absolute encoder with active position tracking can be set by means of the virtual multiturn resolution. It is only editable for rotary axes.

With a rotary absolute encoder (p0404.1 = 1) with activated position tracking (p2720.0 = 1), p2721 can be used to enter a virtual multiturn resolution.

NOTICE

If the gear factor is not equal to 1, then p2721 always refers to the load side. The virtual resolution, which is required for the load, is then set here.
--

In the case of rotary axes, the virtual multiturn resolution (p2721) is preset to the multiturn resolution value of the encoder (p0421) and can be altered.

Example: Singleturn encoder

Parameter p0421 is preset to p0421 = 1. However, parameter p2721 can be altered subsequently, e.g. the user can program p2721 = 5. As a result, the encoder evaluation initiates 5 load rotations before the same absolute value is achieved again.

In the case of linear axes, the virtual multiturn resolution (p2721) is preset to the multiturn resolution value of the encoder (p0421), which is extended by 6 bits, (max. 32 positive/negative overflows).

The setting for p2721 cannot be edited again afterwards.

Example: Multiturn encoder:

For a linear axis, the value for p2721 is set to 262144 for an encoder with p0421 = 4096. That means, +/- 131072 encoder revolutions or load revolutions can be reproduced in this way.

If, as a result of extension of the multiturn information, the displayable area of r2723 (32 bits) is exceeded, the fine resolution (p0419) must be reduced accordingly.

Tolerance window (p2722)

After switching on, the difference between the stored position and the actual position is ascertained and, depending on the result, the following is triggered:

Difference within the tolerance window -> the position is reproduced based on the current actual encoder value.

Difference outside the tolerance window -> an appropriate message (F07449) is output.

The tolerance window is preset to quarter of the encoder range and can be changed.

CAUTION

The position can only be reproduced if, in the powered-down state, the encoder was moved through less than half of the range that it can represent. For the standard EQN1325 encoder, this is 2048 revolutions or half a revolution for singleturn encoders.

Note

The ratio stamped on the gear rating plate is often just a rounded-off value (e.g. 1:7.34). If, for a rotary axis, it is not permissible to have any long-term drift, then the actual ratio of the gearbox teeth must be requested from the gearbox manufacturer.

Multiple drive data sets

With FW version V2.6 and higher, position tracking of the load gear can be activated in multiple drive data sets.

- The load gear is DDS-dependent.
- Load gear position tracking is computed only for the active drive data set and is EDS-dependent.
- For position tracking to be continued in different drive data sets under the same mechanical conditions and with the same encoder data sets, it must be activated explicitly in all the relevant drive data sets. Possible applications of drive data set switchover with continuation of position tracking:
 - Star/delta switchover
 - Different ramp-up times / controller settings

- When the switchover between drive data sets involves a change in gear unit, the position tracking function starts from the beginning again, i.e. it behaves on switchover as if a POWER ON had occurred.
- With identical mechanical conditions and encoder data set, a DDS switchover does not affect the status of the encoder adjustment or reference point.

Restrictions

- Position tracking cannot be activated for an encoder data set which is used in different drive data sets as encoder1 for different gears. If an attempt is still made to activate position tracking, fault "F07555 (Drive encoder: Configuration position tracking)" will be displayed with fault value 03 hex.
A check is generally performed to determine whether the load gear is the same in all DDS in which the relevant encoder data set is used.
In this case, the settings in each of the load gear parameters p2504[D], p2505[D], p2720[D], p2721[D] and p2722[D] must be identical.
- If an encoder data set is used in one DDS as a motor encoder with position tracking and in another DDS as an external encoder, the position tracking starts from the beginning again, i.e. it behaves in the same way as it would do after a POWER ON.
- If position tracking is reset in one drive data set, it is also reset in all other drive data sets which contain the relevant encoder data set.
- An axis in an inactive drive data set may move by a maximum of half an encoder range (see p2722: tolerance window).

The following table describes what happens on switchover from one DDS to another. A DDS switchover always starts from DDS0.

An overview of DDS switchover without position tracking load gear can be found in section "Instructions for switching data sets" in chapter "EPOS - referencing".

Table 7- 4 DDS switchover with load gear position tracking

DDS	p186 (MDS)	p187 (encoder_1)	p188 (encoder_2)	p189 (encoder_3)	Encoder for position control p2502	Mechanical conditions p2504/ p2505/ p2506 or p2503	Load gear position tracking	Switchover response
0	0	EDS0	EDS1	EDS2	encoder_1	xxx	activated	---
1	0	EDS0	EDS1	EDS2	encoder_1	xxx	activated	Switchover during pulse inhibit or operation has no effect

2	0	EDS0	EDS1	EDS2	encoder_1	yyy	deactivated	Pulse inhibit/operation: Encoder adjustment and referencing bit ²⁾ are reset. Position tracking is no longer computed; it is not reset until there is a new encoder adjustment.
3	0	EDS0	EDS1	EDS2	encoder_2	xxx	activated	Pulse inhibit/operation: Position tracking is continued and referencing bit ²⁾ is reset.
4	0	EDS0	EDS3	EDS2	encoder_2	xxx	activated	
5	1	EDS4	EDS1	EDS2	encoder_1	xxx	activated	
6	2	EDS5	EDS6	EDS7	encoder_1	zzz	activated	
7	3	EDS0	EDS1	EDS2	encoder_1	xxx	activated	MDS switchover alone during pulse inhibit or operation has no effect.
8	0	EDS0	EDS1	EDS2	encoder_1	xxx	deactivated	Pulse inhibit/operation: Position tracking for EDS0 (of DDS0) is newly initiated ¹⁾ and reference bit ³⁾ is reset.
9	4	EDS6	EDS0	EDS2	encoder_1	www	not significant	Pulse inhibit/operation: Position tracking for EDS (of DDS0) is newly initiated ¹⁾ and reference bit ³⁾ is reset.

¹⁾ Is newly initiated means: With an absolute encoder, a new absolute value is read out.

²⁾With an absolute encoder, r2684.11 ("Reference point set") is reset plus the adjustment status (p2507).

³⁾With an absolute encoder, r2684.11 ("Reference point set") is reset and with an absolute encoder, the adjustment status (p2507) is not reset as well because the EDS is not the original EDS.

www, xxx, yyy, zzz: Different mechanical conditions.

7.8.2.5 Commissioning position tracking load gear using STARTER

The position tracking function can be configured in the "Mechanical system" screen for "Position control" in STARTER.

The "Mechanical system" screen for "Position control" is not made accessible unless the function module "Basic positioner" is activated (r0108.4 = 1) which means that the function module "Position control" (r0108.3 = 1) is automatically activated as well.

The "basic positioner" function module can be activated via the commissioning wizard or the drive configuration (configure DDS) (configuration "Closed-loop control structure" - checkbox "Basic positioner").

Configuring the position tracking load gear function

The "Position tracking load gear" function can be configured in the following STARTER screens:

1. In the "Mechanical system configuration" screen in the commissioning wizard.
2. In the project navigator under Drive -> "Technology" -> "Position control" in the "Mechanical system" screen.

7.8.2.6 Integration

Function diagrams (see SINAMICS S120/S150 List Manual)

- 4010 Position actual value conditioning
- 4704 Position and temperature sensing, encoders 1...3
- 4710 Actual speed value and rotor pos. meas., motor enc. (encoder 1)

Overview of important parameters (see SINAMICS S120/S150 List Manual)

- p2502[0...n] LR encoder assignment
- p2503[0...n] LR length unit LU per 10 mm
- p2504[0...n] LR motor/load motor revolutions
- p2505[0...n] LR motor/load load revolutions
- p2506[0...n] LR length unit LU per load revolution
- r2520[0...n] CO: LR position actual value conditioning encoder control word
- r2521[0...n] CO: LR actual position value
- r2522[0...n] CO: LR actual velocity value
- r2523[0...n] CO: LR measured value
- r2524[0...n] CO: LR LU/revolutions
- r2525[0...n] CO: LR encoder adjustment offset
- r2526[0...n] CO/BO: LR status word
- p2720[0...n] Load gear configuration
- p2721[0...n] Load gear absolute encoder rotary revolutions virtual
- p2722[0...n] Load gear position tracking tolerance window
- r2723[0...n] CO: Load gear absolute value
- r2724[0...n] CO: Load gear position difference

7.8.3 Position controller

Features

- Symmetrization (p2535, p2536)
- Limiting (p2540, p2541)
- Pre-control (p2534)
- Adaptation (p2537, p2538)

Note

We only recommend that experts use the position controller functions without using the basic positioner.

Description

The position controller is a PI controller. The P gain can be adapted using the product of connector input p2537 (position controller adaptation) and parameter p2538 (Kp).

Using connector input p2541 (limit), the speed setpoint of the position controller can be limited without pre-control. This connector input is pre-interconnected with connector output p2540.

The position controller is enabled by an AND link of the binector inputs p2549 (position controller 1 enable) and p2550 (position controller 2 enable).

The position setpoint filter (p2533 time constant position setpoint filter) is a PT1 element, the symmetrizing filter as deadtime element (p2535 symmetrizing filter speed pre-control (deadtime) and PT1 element (p2536 symmetrizing filter speed pre-control (PT1))). The speed pre-control p2534 (factor, speed pre-control) can be disabled via the value 0.

Function diagrams (see SINAMICS S120/S150 List Manual)

- 4015 Position controller

Overview of important parameters (see SINAMICS S120/S150 List Manual)

- p2533 LR position setpoint filter, time constant
- p2534 LR speed pre-control factor
- p2535 LR speed pre-control symmetrizing filter dead time
- p2536 LR speed pre-control symmetrizing filter PT1
- p2537 CI: LR position controller adaptation
- p2538 LR proportional gain
- p2539 LR integral action time
- p2540 CO: LR position controller output speed limit
- p2541 CI: LR position controller output speed limit signal source

7.8.4 Monitoring functions

Features

- Standstill monitoring (p2542, p2543)
- Positioning monitoring (p2544, p2545)
- Dynamic following error monitoring (p2546, r2563)
- Cam controllers (p2547, p2548, p2683.8, p2683.9)

Description

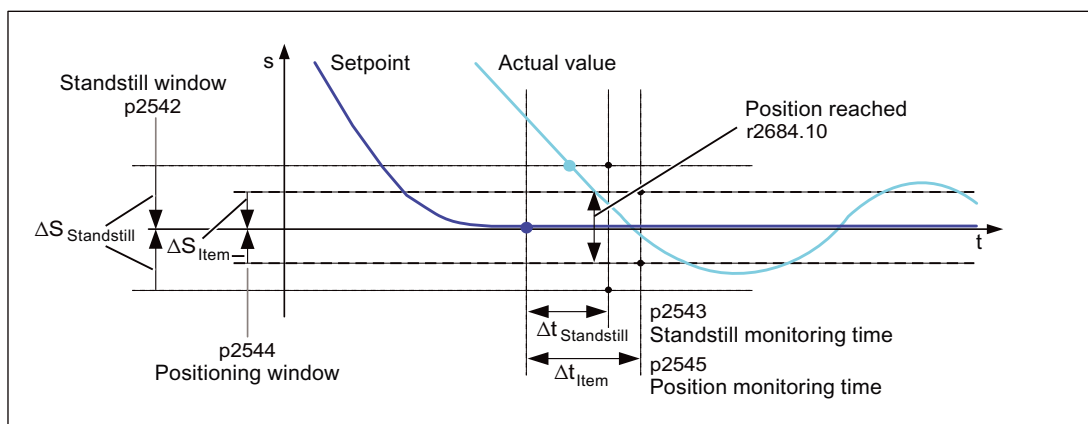


Figure 7-11 Zero-speed monitoring, positioning window

The position controller monitors the standstill, positioning and following error.

Zero-speed monitoring is activated by binector inputs p2551 (setpoint stationary) and p2542 (zero-speed window). If the zero-speed window is not reached once the monitoring time (p2543) has lapsed, fault F07450 is triggered.

Positioning monitoring is activated via binector inputs p2551 (setpoint stationary), p2554 = "0" (travel command not active) and p2544 (positioning window). Once the monitoring time (p2545) has elapsed, the positioning window is checked once. If this is not reached, fault F07451 is triggered.

The standstill monitoring and the positioning monitoring can be de-activated using the value "0" in p2542 and p2544. The standstill window should be greater than or equal to the positioning window ($p2542 \geq p2544$). The standstill monitoring time should be less than or equal to the positioning monitoring time ($p2543 \leq p2545$).

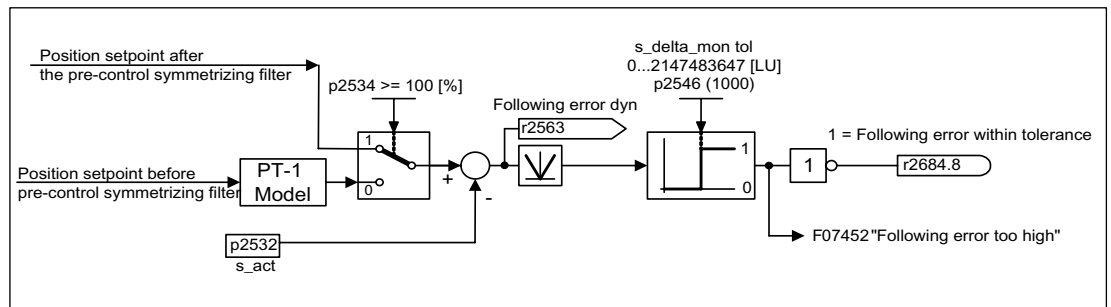


Figure 7-12 Following error monitoring

Following error monitoring is activated via p2546 (following error tolerance). If the absolute value of the dynamic following error (r2563) is greater than p2546, fault F07452 is output and bit r2684.8 is reset.

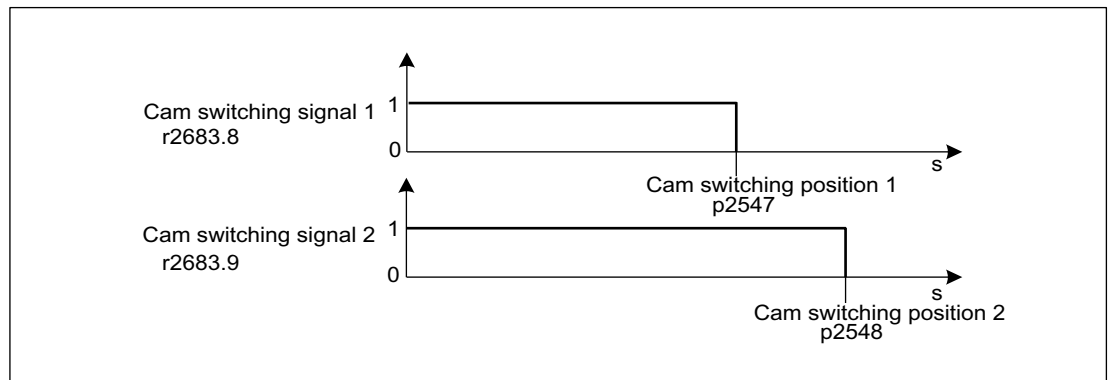


Figure 7-13 Cam controllers

The position controller has two cam controllers. If cam position p2547 or p2548 is passed in the positive direction ($p2521 > p2547$ or 2548), then cam signals r2683.8 and r2683.9 are reset.

Function diagrams (see SINAMICS S120/S150 List Manual)

- 4020 Zero-speed / positioning monitoring
- 4025 Dynamic following error monitoring, cam controllers

Overview of important parameters (see SINAMICS S120/S150 List Manual)

- p2530 CI: LR setpoint position
- p2532 CI: LR actual position value
- p2542 LR standstill window
- p2543 LR standstill monitoring time
- p2544 LR positioning window
- p2545 LR positioning monitoring time

- p2546 LR dynamic following error monitoring tolerance
- p2547 LR cam switching position 1
- p2548 LR cam switching position 2
- p2551 BI: LR setpoint message present
- p2554 BI: LR travel command message active
- r2563 CO: LR latest following error
- r2683.8 Actual position value <= cam switching position 1
- r2683.9 Actual position value <= cam switching position 2
- r2684 CO/BO: EPOS status word 2

7.8.5 Measuring probe evaluation and reference mark search

Description

The "Reference mark search" and "Measuring probe evaluation" functions can be initiated and carried out via binector input p2508 (activate reference mark search) and p2509 (activate measuring probe evaluation). Binector inputs p2510 (measurement probe selection) and p2511 (measurement probe edge evaluation) define the mode for measurement probe evaluation.

The probe signals are recorded via the encoder encoder status and control word. To speed up signal processing, direct measuring probe evaluation can be activated by selecting the input terminals for probes 1/2 via p2517 and p2518. Measuring probe evaluation is carried out in the position controller cycle, whereby the set send clock cycle of the controller (r2064[1]) must be an integer multiple of the position controller cycle (p0115[4]).

The system outputs a message if the same probe input is already being used (see also p0488, p0489, p0580, and p0680).

The appropriate function is started using a 0/1 edge at the appropriate input p2508 (activate reference mark search) or p2509 (activate measuring probe evaluation) via the encoder control word. Status bit r2526.1 (reference function) signals that the function is active (feedback from the encoder status word). Status bit r2526.2 (measurement value valid) shows the presence of the measurement required r2523 (position for reference mark or measurement probe).

Once the function is complete (position determined for reference mark or measurement probe), r2526.1 (reference function active) and r2526.2 (measurement valid) continue to remain active and the measurement is provided by r2523 (reference measurement) until the corresponding input p2508 (activate reference mark searches) or p2509 (activate measurement probe evaluation) is reset (0 signal).

If the function (reference mark search or measuring probe evaluation) has still not been completed and the corresponding input p2508 or p2509 is reset, then the function is interrupted via the encoder control word and status bit r2526.1 (reference function active) is reset via the encoder status word.

If both binector inputs p2508 and p2509 are simultaneously set, this causes the active function to be interrupted and no function is started. This is indicated using alarm A07495 "reference function interrupted" and remains until the signals at the binector inputs are reset.

The alarm is also generated if, during an activated function (reference mark search or measuring probe evaluation) a fault is signaled using the encoder status word.

If the "position control" function module is selected, these parameters (p2508 to p2511) are preassigned with "0". If the "basic positioner" function module is selected, the functions "reference mark search" (for the function reference point search) and "measuring probe evaluation" (for the function flying referencing) are initiated by the function module basic positioner and the feedback signal (r2526, r2523) is fed back to this (see also: Commissioning Manual, section "Control and status words for encoders").

Function diagrams (see SINAMICS S120/S150 List Manual)

- 4010 Position actual value conditioning
- 4720 Encoder interface, receive signals, encoder 1 ... 3
- 4730 Encoder interface, send signals, encoder 1 ... 3

Overview of important parameters (see SINAMICS S120/S150 List Manual)

- p2508 BI: LR activate reference mark search
- p2509 BI: LR activate measuring probe evaluation
- p2510 BI: LR measuring probe evaluation, selection
- p2511 BI: LR measuring probe evaluation edge
- p2517 LR direct probe 1 input terminal
- p2518 LR direct probe 2 input terminal
- r2523 CO: LR measured value
- r2526 CO/BO: LR status word

7.8.6 Integration

The "position control" function module is integrated in the system as follows:

Commissioning

The configuration screen for "Position control" in STARTER is not made accessible unless the function module "Basic positioner" is activated ($r0108.4 = 1$) which means that the function module "Position control" ($r0108.3 = 1$) is automatically activated as well.

The "basic positioner" function module can be activated via the commissioning wizard or the drive configuration (configure DDS) (configuration "Closed-loop control structure" - checkbox "Basic positioner").

To ensure correct, error-free operation of the basic positioner, it is absolutely essential that the "Position control" function module is activated and the position control correctly configured.

If the "position control" function module is active, and to optimize the speed controller, a function generator signal is interconnected to the speed controller input p1160, then the position controller monitoring functions respond. To prevent this from happening, the position controller must be disabled ($p2550 = 0$) and switch to tracking mode ($p2655 = 1$, for control using PROFIdrive telegram 110 PosSTW.0 = 1). In this way, the monitoring functions are switched off and the position setpoint is tracked.

Function diagrams (see SINAMICS S120/S150 List Manual)

- 4010 Position actual value conditioning
- 4015 Position controller
- 4020 Zero-speed / positioning monitoring
- 4025 Dynamic following error monitoring, cam controllers

7.9 Basic positioner

General description

The basic positioner is used to position linear and rotary axes (modulo) in absolute/relative terms with motor encoder (indirect measuring system) or machine encoder (direct measuring system). It is available in the servo and vector modes.

User-friendly configuration, commissioning, and diagnostic functions are also available in STARTER for the basic positioner functionality (graphic navigation). In STARTER, there is a control panel for the basic positioner and speed-controlled operation; using this control panel, the functionality can be started from a PC/PG to commission the system or carry out diagnostics.

When the basic positioner is activated ($r0108.4 = 1$), then the position control ($r0108.3 = 1$) should also be activated. This is realized automatically when activating the basic positioner via the STARTER commissioning wizard. Further, the necessary "internal interconnections" (BICO technology) are automatically established.

 CAUTION
--

The basic positioner requires the position controller functions. The BICO interconnections established by the basic positioner must be changed by experienced users only.

This means that naturally the position control functions are also available (e.g. standstill monitoring, positioning monitoring, dynamic following error monitoring, cam controllers, modulo function, measuring probe evaluation). Also refer to the section "Position control".

In addition, the following functions can be carried out using the basic positioner:

- Mechanical system
 - Backlash compensation
 - Modulo offset
 - Position tracking of the load gear (motor encoder) with absolute encoders
- Limits
 - Traversing profile limits
 - Traversing range limits
 - Jerk limitation
- Referencing or adjusting
 - Set reference point (for an axis at standstill that has reached its target position)
 - Reference point approach (autonomous mode including reversing cam functionality, automatic direction of rotation reversal, referencing to "cams and encoder zero mark" or only "encoder zero mark" or "external equivalent zero mark (BERO)")
 - Flying referencing (during the "normal" traversing motion, it is possible to reference, superimposed, using the measuring probe evaluation; generally, evaluating e.g. a BERO. Higher-level (superimposed) function for the modes "jog", direct setpoint input/MDI and "traversing blocks")

- Referencing with incremental measuring systems
- Absolute encoder adjustment
- Traversing blocks operating mode
 - Positioning using traversing blocks that can be saved in the drive unit including block change enable conditions and specific tasks for an axis that was previously referenced
 - Traversing block editor using STARTER
 - A traversing block contains the following information:
 - traversing block number
 - job (e.g. positioning, wait, GOTO block step, setting of binary outputs)
 - motion parameters (target position, velocity override for acceleration and deceleration)
 - mode (e.g: Skip block, block change enable conditions such as "Continue_with_stop" and "Continue_flying")
 - Task parameters (e.g. delay time, block step conditions)
- Direct setpoint input (MDI) mode
 - Positioning (absolute, relative) and setting-up (endless closed-loop position control) using direct setpoint inputs (e.g. via the PLC or process data)
 - It is always possible to influence the motion parameters during traversing (on-the-fly setpoint acceptance) as well as on-the-fly change between the Setup and Positioning modes.
- Jog mode
 - Closed-loop position controlled traversing of the axis with the "endless position controlled" or "jog incremental" modes that can be toggled between (traverse through a "step width")
- Standard PROFIdrive positioning telegrams are available (telegrams 7, 9 and 110), the selection of which automatically establishes the internal "connection" to the basic positioner.
- Control using PROFIdrive telegrams 7 and 110
(for additional information, see the Commissioning Manual.)

7.9.1 Mechanical system

Features

- Backlash compensation (p2583)
- Modulo offset (p2577)

Description

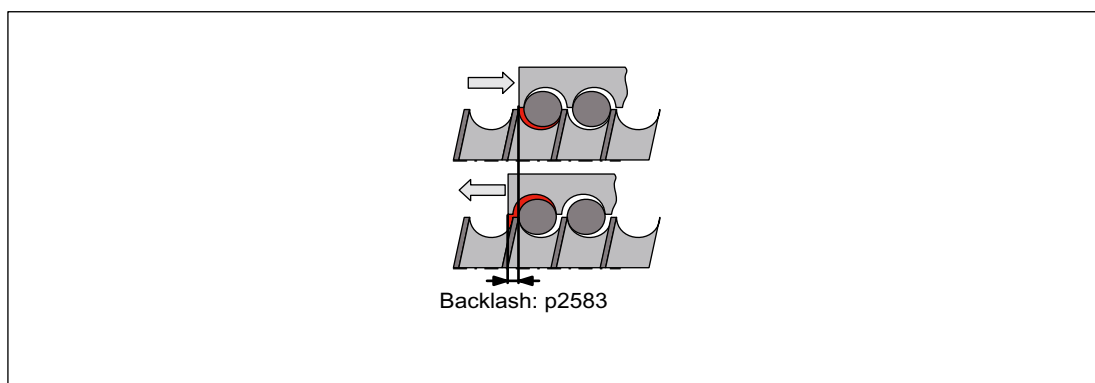


Figure 7-14 Backlash compensation

When mechanical force is transferred between a machine part and its drive, generally backlash occurs. If the mechanical system was to be adjusted/designed so that there was absolutely no play, this would result in high wear. Thus, backlash (play) can occur between the machine component and the encoder. For axes with indirect position sensing, mechanical backlash results in a falsification of the traversing distance, as, at direction reversal, the axis travels either too far or not far enough corresponding to the absolute value of the backlash.

Note

The backlash compensation is active, after

- the axis has been referenced for incremental measuring systems
- the axis has been adjusted for absolute measuring systems

In order to compensate the backlash, the determined backlash must be specified in p2583 with the correct polarity. At each direction of rotation reversal, the axis actual value is corrected dependent on the actual traversing direction and displayed in r2667. This value is taken into account in the position actual value using p2516 (position offset).

If a stationary axis is referenced by setting the reference point or an adjusted axis is powered-up with an absolute encoder, then the setting of parameter p2604 (reference point approach, starting direction) is relevant for switching-in the compensation value.

Table 7- 5 The compensation value is switched in as a function of p2604

p2604	Traversing direction	Switch in compensation value
0	positive	none
	negative	immediately
1	positive	immediately
	negative	none

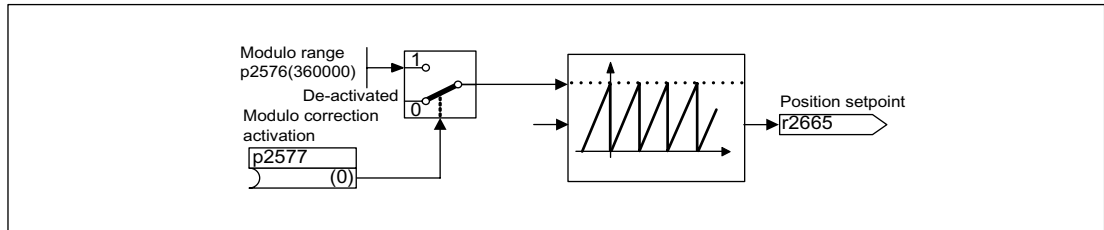


Figure 7-15 Modulo offset

A modulo axis has an unrestricted traversing range. The value range of the position repeats itself after a specific value that can be parameterized (the modulo range or axis cycle), e.g. after one revolution: 360° -> 0°. The modulo range is set in parameter p2576, the offset is activated with parameter p2577. The modulo offset is undertaken at the setpoint end. This is provided with the correct sign via connector output r2685 (correction value) to appropriately correct the position actual value. EPOS initiates the activation of the correction via a rising edge of binector output r2684.7 (activate correction) (r2685 (correction value) and r2684.7 (activate correction) are already connected as standard with the corresponding binector/connector input of the position actual value conditioning). Absolute positioning details (e.g. in a motion command) must always be within the modulo range. Modulo offset can be activated for linear and rotary length units. The traversing range cannot be limited by a software limit switch.

With active modulo offset and the application of absolute encoders, as a result of potential encoder overflows, it must be ensured that there is an integer ratio v between the multiturn resolution and the modulo range.

The ratio v can be calculated as follows:

- 1. Motor encoder without position tracking:
 $v = p421 * p2506 * p0433 * p2505 / (p0432 * p2504 * p2576)$
- 2. Motor encoder with position tracking for the measuring gear:
 $v = p0412 * p2506 * p2505 / (p2504 * p2576)$
- 3. Motor encoder with position tracking for the load gear:
 $v = p2721 * p2506 * p0433 / (p0432 * p2576)$
- 4. Motor encoder with position tracking for the load and measuring gear:
 $v = p2721 * p2506 / p2576$
- 5. Direct encoder without position tracking:
 $v = p0421 * p2506 * p0433 / (p0432 * p2576)$
- 6. Direct encoder with position tracking for the measuring gear:
 $v = p0412 * p2506 / p2576$

With position tracking it is recommended to change p0412 or p2721.

Function diagrams (see SINAMICS S120/S150 List Manual)

- 3635 Interpolator
- 4010 Position actual value conditioning

Overview of important parameters (see SINAMICS S120/S150 List Manual)

- p2576 EPOS modulo offset, modulo range
- p2577 BI: EPOS modulo offset activation
- p2583 EPOS backlash compensation
- r2684 CO/BO: EPOS status word 2
- r2685 CO: EPOS correction value

Commissioning with STARTER

In STARTER, the mechanical system screen form can be found under position control.

7.9.2 Limits

Description

The velocity, acceleration and deceleration can be limited and the software limit switches and STOP cams set.

Features

- Traversing profile limits
 - Maximum velocity (p2571)
 - Maximum acceleration (p2572) / maximum deceleration (p2573)
- Traversing range limits
 - Software limit switch (p2578, p2579, p2580, p2581, p2582)
 - STOP cams (p2568, p2569, p2570)
- Jerk limitation
 - Jerk limitation (p2574)
 - Activation of jerk limitation (p2575)

Maximum velocity

The maximum velocity of an axis is defined using parameter p2571. The velocity should not be set to be greater than the maximum speeds in r1084 and r1087.

The drive is limited to this velocity if a higher velocity is specified or programmed via the override (p2646) for the reference point approach or is programmed in the traversing block.

Parameter p2571 (maximum velocity) defines the maximum traversing velocity in units 1000 LU/min. If the maximum velocity is changed, then this limits the velocity of a traversing task that is presently being executed.

This limit is only effective in the positioning mode for:

- Jog mode
- Processing traversing blocks
- Direct setpoint input/MDI for positioning/setting-up
- Reference point approach

Maximum acceleration/deceleration

Parameter p2572 (maximum acceleration) and p2573 (maximum deceleration) define the maximum acceleration and the maximum deceleration. In both cases, the units are 1000 LU/s².

Both values are relevant for:

- Jog mode
- Processing traversing blocks

- Direct setpoint input/MDI for positioning and setting-up
- Reference point approach

The parameters do not have any effect when faults occur with the fault responses OFF1 / OFF2 / OFF3.

In the traversing blocks mode, the acceleration and deceleration can be set in multiple integer steps (1 %, 2 % ... 100 %) of the maximum acceleration and deceleration. In "direct setpoint input/MDI for positioning and setting up" operating mode, the acceleration/delay override (assignment of 4000 hex = 100%) is specified

Note

A maximum acceleration or deceleration dependent on the actual velocity (transitioned acceleration) is not supported.

Note

When using the PROFIdrive message frame 110, the velocity override is already connected and has to be supplied by the message frame.

Software limit switches

The connector inputs p2578 (software limit switch minus) and p2579 (software limit switch plus) limit the position setpoint if the following prerequisites are fulfilled:

- The software limit switches are activated (p2582 = "1")
- The reference point is set (r2684.11 = 1)
- The modulo correction is not active (p2577 = "0")

The connector inputs are, in the factory setting, linked to the connector output p2580 (software limit switch minus) and p2581 (software limit switch plus).

STOP cam

A traversing range can, on one hand, be limited per software using the software limit switches and on the other hand, the traversing range can be limited per hardware. In this case, the functionality of the STOP cam (hardware limit switch) is used. The function of the STOP cams is activated by the 1 signal on the binector input p2568 (activation of STOP cams).

Once enabled, the activity of binector inputs p2569 (STOP cam, minus) and p2570 (STOP cam, plus) is checked. These are low active; this means if a 0 signal is present at binector input p2569 or p2570, then these are active.

When a STOP cam (p2569 or p2570) is active, the current motion is halted with the maximum deceleration (p2573) and the appropriate status bit r2684.13 (STOP cam minus active) or r2684.14 (STOP cam plus active) is set.

When an axis has approached a STOP cam, only motion that allows the axis to move away from the cam is permitted (if both STOP cams are actuated, then no motion is possible). When the STOP cam is exited, this is identified by the 0/1 edge in the permitted traversing direction which means that the corresponding status bits (r2684.13 or r2684.14) are reset.

Jerk limitation

Acceleration and deceleration can change suddenly if jerk limiting has not been activated. The diagram below shows the traversing profile when jerk limitation has not been activated. The diagram shows that maximum acceleration (a_{max}) and deceleration (d_{max}) are effective immediately. The drive accelerates until the target speed (v_{target}) is reached and then switches to the constant velocity phase.

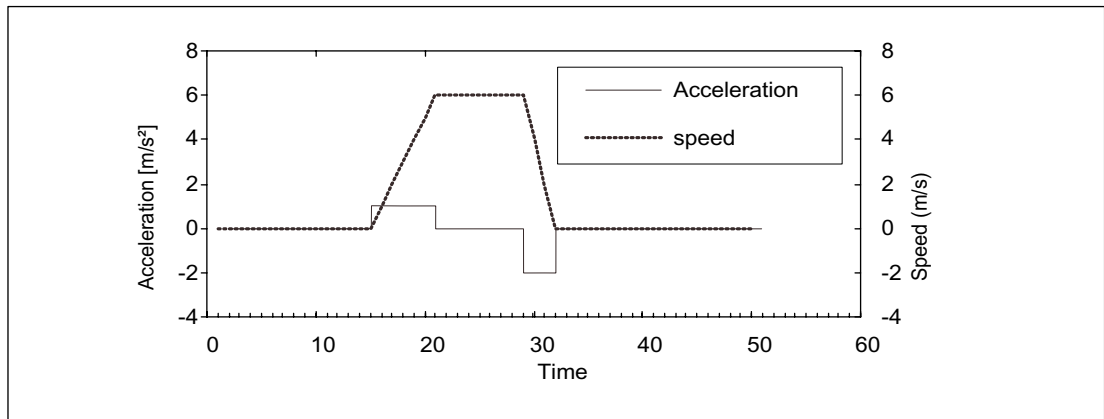


Figure 7-16 Without jerk limitation

Jerk limitation can be used to achieve a ramp-like change of both variables, which ensures "smooth" acceleration and braking as shown in the diagram below. Ideally, acceleration and deceleration should be linear.

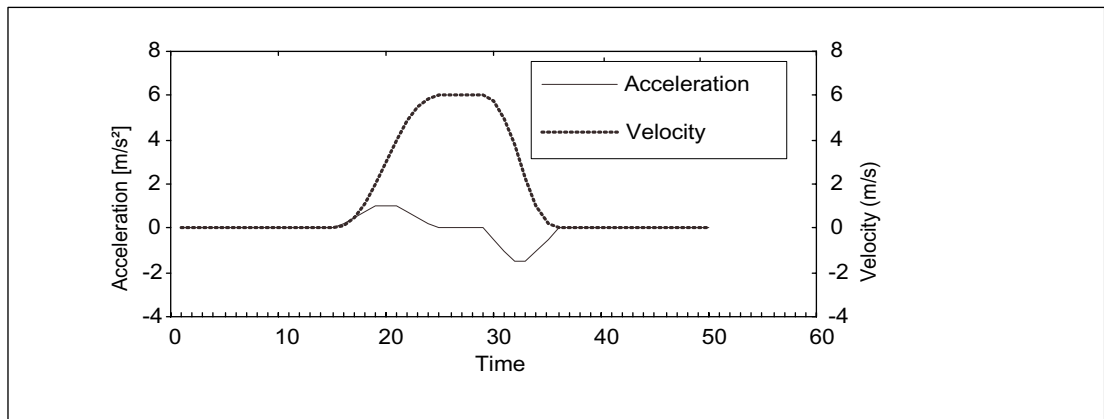


Figure 7-17 Activated jerk limitation

The maximum inclination (r_k) can be set in parameter p2574 ("Jerk limitation") in the unit LU/s^3 for both acceleration and braking. The resolution is $1000 LU/s^3$. To activate limiting permanently, set parameter p2575 ("Active jerk limitation") to 1. In this case, limitation cannot be activated or deactivated in traversing block mode by means of the command "JERK" as this would require parameter p2575 ("Activate jerk limitation") to be set to zero. The status signal r2684.6 ("Jerk limitation active") indicates whether or not jerk limitation is active.

Limitation is effective:

- In jog mode
- When traversing blocks are processed
- When setpoints are defined directly/MDI for positioning and setup
- during referencing
- During stop responses due to alarms

Jerk limitation is not active when messages are generated with stop responses OFF1 / OFF2 / OFF3.

Function diagrams (see SINAMICS S120/S150 List Manual)

- 3630 Traversing range limits

Overview of important parameters (see SINAMICS S120/S150 List Manual)

- p2571 EPOS maximum velocity
- p2572 EPOS maximum acceleration
- p2573 EPOS maximum deceleration
- p2646 CI: EPOS velocity override

Software limit switches

- p2578 CI: EPOS software limit switch, minus signal source
- p2579 CI: EPOS software limit switch, plus signal source
- p2580 CO: EPOS software limit switch, minus
- p2581 CO: EPOS software limit switch, plus
- p2582 BI: EPOS software limit switch activation
- r2683 CO/BO: EPOS status word 1

STOP cam

- p2568 BI: EPOS STOP cam activation
- p2569 BI: EPOS STOP cam, minus
- p2570 BI: EPOS STOP cam, plus
- r2684 CO/BO: EPOS status word 2

7.9.3 Referencing

Features

- Reference point offset (p2600)
- Reversing cams (p2613, p2614)
- Reference cam (p2612)
- Binector input start (p2595)
- Binector input setting (p2596)
- Velocity override (p2646)
- Reference point coordinate (p2598, p2599)
- Selecting the referencing type (p2597)
- Absolute encoder adjustment (p2507)

NOTICE

Referencing distance-coded zero marks is not supported.

Description

After a machine has been powered-up, for positioning, the absolute dimension reference must be established to the machine zero. This operation is known as referencing.

The following referencing types are possible:

- Setting the reference point (all encoder types)
- Incremental encoder
 - Active referencing (reference point approach (p2597 = 0)):
 - Reference cams and encoder zero mark (p2607 = 1)
 - Encoder zero mark (p0495 = 0)
 - External zero mark (p0495 ≠ 0)
- Flying referencing (passive (p2597 = 1))
- Absolute encoder
 - Absolute encoder adjustment
 - Flying referencing (passive (p2597 = 1))

A connector input is provided for all referencing types to input the reference point coordinate; this allows, e.g. the change/input via the higher-level control. However, to permanently enter the reference point coordinate, an adjustable parameter for this quantity is also required. As standard, this adjustable parameter p2599 is interconnected to connector input p2598.

Set reference point

The reference point can be set using a 0/1 edge at binector input p2596 (set reference point) if no traversing commands are active and the actual position value is valid (p2658 = 1)

signal).

With FW version V2.6 and higher, a reference point can also be set in conjunction with an intermediate stop.

The current actual position of the drive is set here as the reference point using the coordinates specified by connector input p2598 (reference point coordinates). The setpoint (r2665) is adjusted accordingly.

This function also uses actual position value correction for the position controller (p2512 and p2513). Connector input p2598 is connected to adjustable parameter p2599 as standard. The binector input is not effective for the traversing task being presently executed.

Absolute encoder adjustment

Absolute encoders must be adjusted while commissioning. After the machine has been powered-down the position information of the encoder is kept.

When p2507 = 2 is entered, using the reference point coordinate in p2599, an offset value (p2525) is determined. This is used to calculate the position actual value (r2521). Parameter p2507 signals the adjustment with a "3" - in addition bit r2684.11 (reference point set) is set to "1".

The offset of the encoder adjustment (p2525) should be saved in a non-volatile fashion (RAM to ROM) to permanently save it.

Note

If an adjustment is lost on an already adjusted axis, the axis will remain unadjusted from CU320 with order number 6SL3040-...-0AA1 and version C or higher or CU310 even when the drive unit is switched OFF/ON. The axis needs to be adjusted again in such cases.

CAUTION

During adjustment with the rotary absolute encoder, a range is aligned symmetrically around the zero point with half the encoder range within which the position is restored after switch off/on. If position tracking is deactivated (2720.0 = 0), only one encoder overflow is permitted to occur in this range (further details are given in chapter Position controller -> Position actual value conditioning). Once adjustment has been carried out, the range must not be exited because a unique reference between the actual encoder value and the mechanical components cannot be established outside the range.

If the reference point p2599 is in the encoder range, the actual position value is set in line with the reference point during adjustment. Otherwise, it is set to a corrected value in the encoder range.

No overflow occurs with linear absolute encoders, which means that the position can be restored within the entire traversing range after switch on/off once adjustment has been carried out. During adjustment, the actual position value is set in line with the reference point.

Referencing with DRIVE-CLiQ encoders

The DRIVE-CLiQ encoder is available as either a "multiturn" or "singleturn" absolute encoder. If the "referencing" function is selected via the PROFIdrive encoder interface and if

a DRIVE-CLiQ encoder or other type of absolute encoder is connected via the DRIVE-CLiQ interface, the zero crossing of the singleturn position is used as the reference point.

For further information about commissioning DRIVE-CLiQ encoders, please refer to document /IH1/: SINAMICS S120 Commissioning Manual.

Reference point approach for incremental measurement systems

When the reference point approach (in the case of an incremental measuring system), the drive is moved to its reference point. In so doing, the drive itself controls and monitors the complete referencing cycle.

Incremental measuring systems require that after the machine has been powered-up, the absolute dimension reference is established to the machine zero point. When powering-up the position actual value x_0 in the non-referenced state is set to $x_0 = 0$. Using the reference point approach, the drive can be reproducibly moved to its reference point. The geometry with a positive starting direction (p2604 = "0") is shown in the following.

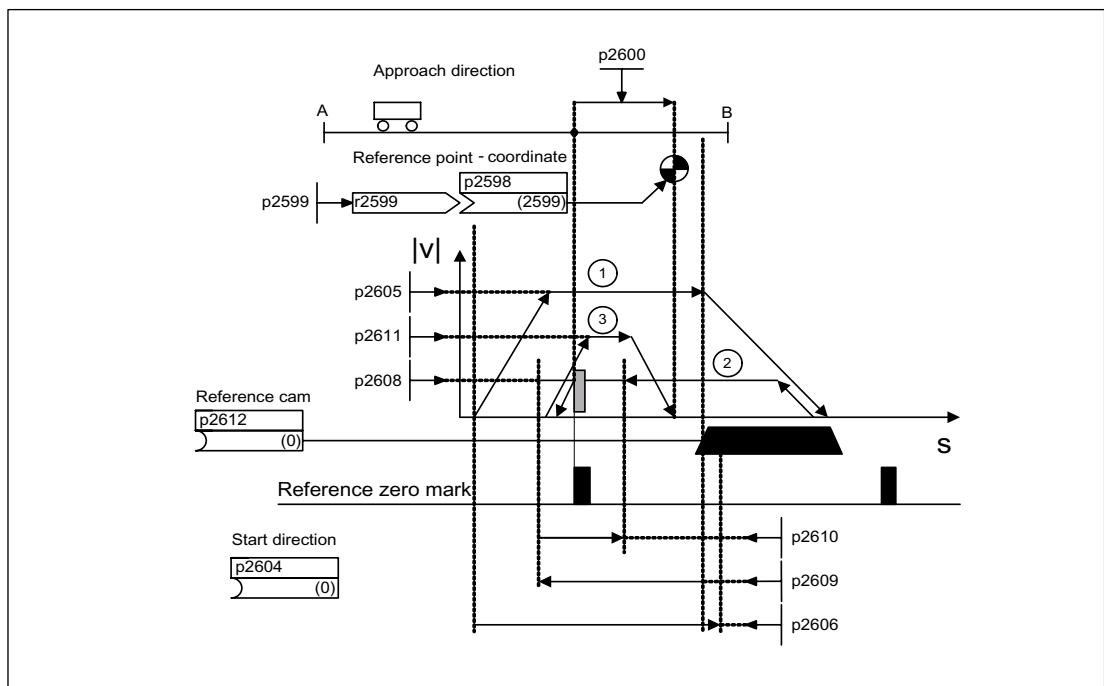


Figure 7-18 Example: reference point approach with reference cam

The signal on binector input p2595 (start referencing) is used to trigger travel to the reference cam (p2607 = 1) if search for reference is selected at the same time (0 signal at binector input p2597 (referencing type selection)). The signal in binector input p2595 (start referencing) must be set during the entire referencing process otherwise the process is aborted. Once started, the status signal r2684.11 (reference point set) is reset.

The software limit switch monitoring is inactive during the complete reference point approach; only the maximum traversing range is checked. The SW limit switch monitoring is, if required, re-activated after completion.

The velocity override set is only effective during the search for the reference cam (step 1). This ensures that the "cam end" and "zero mark" positions are always overrun at the same

speed. If signal propagation delays arise during switching processes, this ensures that the offset caused during establishment of position is the same in each referencing process.

Axes that only have one zero mark over their complete traversing or modulo range are designated with parameter p2607 = 0 (no reference cam present). After starting the referencing process, synchronization to the reference zero marks is started straight away (see step 2) for these axes.

Search for reference, step 1: travel to reference cam

If there is no reference cam present (p2607 = 0), go to step 2.

When the referencing process is started, the drive accelerates at maximum acceleration (p2572) to the reference cam approach velocity (p2605). The direction of the approach is determined by the signal of binector input p2604 (search for reference start direction).

When the reference cam is reached, this is communicated to the drive using the signal at binector input p2612 (reference cam); the drive then brakes down to standstill with the maximum deceleration (p2573).

If a signal at binector input p2613 (reversing cam, MINUS) or at binector input p2614 (reversing cam, PLUS) is detected during reference point approach, the search direction is reversed.

If the minus reversing cam is approached in the positive direction of travel or the plus reversing cam in the negative direction of travel, fault message F07499 "EPOS: Reversing cam approached from the wrong direction" is generated. In this case, the reversing cam connections must be checked (BI: p2613, BI: p2614) or the direction of approach to the reversing cam.

The reversing cams are low active. If both reversing cams are active (p2613 = "0" and p2614 = "0"), the drive remains stationary. As soon as the reference cam is found, then synchronization to the reference zero mark is immediately started (refer to step 2).

If the axis leaves its start position and travels the distance defined in parameter p2606 (max. distance to reference cam) heading towards the reference cam without actually reaching the reference cam, the drive remains stationary and fault F07458 (reference cam not found) is issued.

If the axis is already located at the cam, when referencing is started, then traversing to the reference cam is not executed, but synchronization to the reference zero mark is immediately started (refer to step 2).

Note

The velocity override is effective during the search for the cam. By changing the encoder data set, status signal r2684.11 (reference point set) is reset.

The cam switch must be able to delivery both a rising and a falling edge. For a reference point approach with evaluation of the encoder zero mark, for increasing position actual values the 0/1 edge is evaluated and for decreasing position actual values, the 1/0 edge. Inversion of the edge evaluation is not possible at the sensor zero mark.

If the length measuring system has several zero marks which repeat at cyclic intervals (e.g. incremental, rotary measuring system), you must ensure that the cam is adjusted so that the same zero mark is always evaluated.

The following factors may impact the behavior of the "reference cam" control signal:

- Switching accuracy and time delay of reference cam switch
 - Position controller cycle of drive
 - Interpolation cycle of drive
 - Temperature sensitivity of machine's mechanical system
-

Search for reference, step 2: Synchronizing to the reference zero mark (encoder zero mark or external zero mark)

Reference cam available (p2607 = 1):

In step 2, the drive accelerates to the velocity, specified in p2608 (zero mark approach velocity) in the direction opposite to that specified using binector input p2604 (reference point approach start direction). The zero mark is expected at distance p2609 (max. distance to zero mark). The search for the zero mark is active (status bit r2684.0 = "1" (search for reference active)) as soon as the drive leaves the cam (p2612 = "0") and is within the tolerance band for evaluation (p2609 - p2610). If the position of the zero mark is known (encoder evaluation), the actual position of the drive can be synchronized using the zero mark. The drive starts the search for reference (see step 3). The distance moved between the end of the cam and the zero mark is displayed in diagnostics parameter r2680 (difference between the cam - zero mark).

Encoder zero mark available (p0495 = 0), no reference cam (p2607 = 0):

Synchronization to the reference zero mark begins as soon as the signal at binector input p2595 (start referencing) is detected. The drive accelerates to the velocity, specified in parameter p2608 (zero mark approach velocity) in the direction specified by the signal of binector input p2604 (reference point approach start direction).

The drive synchronizes to the first zero mark and then starts to travel towards the reference point (see step 3).

Note

In this case the direction of approach to the reference zero mark is the opposite to the axes with reference cams!

External zero mark present (p0495 ≠ 0), no reference cam (p2607 = 0):

Synchronization to an external zero mark begins as soon as the signal at binector input p2595 (start referencing) is detected. The drive accelerates to the velocity, specified in parameter p2608 (zero mark approach velocity) in the direction specified by the signal of

binector input p2604 (reference point approach start direction). The drive synchronizes to the first external zero mark (p0495). The drive continues to travel with the same velocity and travel is started to the reference point (refer to step 3).

Note

The velocity override is inoperative during this process.

An equivalent zero mark can be set using parameter p0495 (equivalent zero mark input terminal) and the corresponding digital input selected. As standard, for increasing actual position values, the 0/1 edge is evaluated and for decreasing position actual values, the 1/0 edge. For the equivalent zero mark, this can be inverted using parameter p0490 (invert measuring probe or equivalent zero mark).

Search for reference, step 3: Travel to reference point

Travel to the reference point is started when the drive has successfully synchronized to the reference zero mark (see step 2). Once the reference zero mark has been detected, the drive accelerates on-the-fly to the reference point approach velocity set in parameter p2611. The reference point offset (p2600), the distance between the zero mark and reference point, is extended.

If the axis has reached the reference point, then the position actual value and setpoint are set to the value specified using connector input p2598 (reference point coordinate) (as standard, connector input p2598 is connected with adjustable parameter p2599). The axis is then homed and the status signal r2684.11 (reference point set) set.

Note

The velocity override is inoperative during this process.

If the braking distance is longer than the reference point offset or a direction reversal is required as a result of the selected reference point offset, then after detecting the reference zero mark, the drive initially brakes to standstill and then travels back.

Flying referencing

The mode "flying referencing" (also known as post-referencing, positioning monitoring), which is selected using a "1" signal at binector input p2597 (select referencing type), can be used in every mode (jog, traversing block and direct setpoint input for positioning/setting-up) and is superimposed on the currently active mode. Flying referencing can be selected both with incremental and absolute measuring systems.

When "flying referencing" during incremental positioning (relative) you can select whether the offset value is to be taken into account for the travel path or not (p2603).

The "flying referencing" is activated by a 0/1 edge at binector input p2595 (start referencing). The signal in binector input p2595 (start referencing) must be set during the entire referencing process otherwise the process is aborted.

Status bit r2684.1 (passive/flying referencing active) is linked with binector input p2509 (activate measurement probe evaluation). It activates measurement probe evaluation. Binector inputs p2510 (measurement probe selection) and p2511 (measurement probe edge evaluation) can be used to set which measurement probe (1 or 2) and which measurement edge (0/1 or 1/0) is to be used.

The measurement probe pulse is used to supply connector input p2660 (home measurement value) with the measurement via parameter r2523. The validity of the measurement is reported to binector input p2661 (measurement valid feedback) via r2526.2.

Note

The following must always apply to the "Flying referencing mode" windows:

p2602 (outer window) > p2601 (inner window).

See function diagram 3614 for more information on the "Flying referencing mode" function.

The following then happens:

- If the drive has not yet been homed, status bit r2684.11 (reference point set) is set to "1".
- If the drive has already been homed, status bit r2684.11 (reference point set) is not reset when starting flying referencing.
- If the drive has already been homed and the position difference is less than the inner window (p2601), the old actual position value is retained.
- If the drive has already been homed and the position difference is more than the outer window (p2602), warning A07489 (reference point offset outside window 2) is output and the status bit r2684.3 (pressure mark outside window 2) set. No offset to the actual position value is undertaken.
- If the drive has already been referenced and the absolute value of the position difference is greater than the inner window (p2601) and less the outer window (p2602), then the position actual value is corrected.

Note

Flying referencing is not an active operating mode. It is superimposed by an active operating mode.

In contrast to searches for reference, flying referencing can be carried out superimposed by the machine process.

As standard, for flying referencing, measuring probe evaluation is used; when enabled, the measuring probe is selected (p2510) and the edge evaluation (p2511) (in the factory setting, measuring probe 1 is always the measuring probe, flank evaluation in the factory setting is always the 0/1 edge).

Instructions for switching data sets

Using drive data set switching (DDS), motor data sets (p0186) and encoder data sets (p0187 to p0189) can be switched. The following table shows when the reference bit (r2684.11) or the status of the adjustment with absolute encoders (p2507) is reset.

In the following cases, when a DDS switch takes place, the current actual position value becomes invalid (p2521 = 0) and the reference point (r2684.11 = 0) is reset.

- The EDS that is effective for the position control changes.
- The encoder assignment changes (p2502).
- The mechanical relationships change (p2503...p2506)

With absolute encoders, the status of the adjustment (p2507) is also reset, if the same absolute encoder is selected for the position control although the mechanical relationships have changed (p2503 ... p2506).

In operating mode, a fault message (F07494) is also generated.

The following table contains a few examples for data set switching. The initial data set is always DDS0.

Table 7- 6 DDS switchover without load gear position tracking

DDS	p186 (MDS)	p187 (encoder_1)	p188 (encoder_2)	p189 (encoder_3)	Encoder for position control p2502	Mechanical conditions p2504/ p2505/ p2506 or p2503	Load gear position tracking	Switchover response
0	0	EDS0	EDS1	EDS2	encoder_1	xxx	disabled	---
1	0	EDS0	EDS1	EDS2	encoder_1	xxx	disabled	Switchover during pulse inhibit or operation has no effect
2	0	EDS0	EDS1	EDS2	encoder_1	yyy	disabled	Pulse inhibit: Position actual value conditioning is newly initiated ¹⁾ and reference bit ²⁾ is reset. Operation: Fault message is generated. Position actual value conditioning is newly initiated ¹⁾ and reference bit ²⁾ is reset.

3	0	EDS0	EDS1	EDS2	encoder_ 2	xxx	disabled	Pulse inhibit: Position actual value conditioning is newly initiated ¹⁾ and reference bit ³⁾ is reset.
4	0	EDS0	EDS3	EDS2	encoder_ 2	xxx	disabled	
5	1	EDS4	EDS1	EDS2	encoder_ 1	xxx	disabled	Operation: Fault message is generated. Position actual value preprocessing is newly initiated ¹⁾ and reference bit ³⁾ is reset.
6	2	EDS5	EDS6	EDS7	encoder_ 1	zzz	disabled	
7	3	EDS0	EDS1	EDS2	encoder_ 1	xxx	disabled	MDS switching alone during pulse inhibit or operation has no effect

¹⁾ Is newly initiated means: For absolute encoders, the absolute value is newly read out, and for incremental encoders, a restart will take place as after POWER ON.

²⁾For incremental encoders, r2684.11 ("Reference point set") is reset, and for absolute encoders, also the status of the adjustment (p2507).

³⁾For incremental encoders, r2684.11 ("Reference point set") is reset, and for absolute encoders, the adjustment status (p2507) is not reset because the EDS differs from the original one.

xxx, yyy, zzz: different mechanical conditions

Function diagrams (see SINAMICS S120/S150 List Manual)

- 3612 Referencing
- 3614 Flying referencing

Overview of important parameters (see SINAMICS S120/S150 List Manual)

- p2596 BI: EPOS set reference point
- p2597 BI: EPOS referencing type selection
- p2598 CI: EPOS reference point coordinate, signal source
- p2599 CO: EPOS reference point coordinate value
- p2600 EPOS reference point approach, reference point offset

7.9.4 Traversing blocks

Description

Up to 64 different traversing tasks can be saved. The maximum number is set using parameter p2615 (maximum number of traversing tasks). All parameters which describe a traversing order are effective during a block change, i.e. if:

- The appropriate traversing block number is selected using binector inputs p2625 to p2630 (block selection, bits 0...5) and started using the signal at binector input p2531 (activate traversing task).
- A block change is made in a sequence of traversing tasks.
- An external block change p2632 "External block change" is triggered.

Traversing blocks are parameterized using parameter sets that have a fixed structure:

- Traversing block number (p2616[0...63])
Every traversing block must be assigned a traversing block number (in STARTER "No."). The traversing blocks are executed in the sequence of the traversing block numbers. Numbers containing the value "-1" are ignored so that the space can be reserved for subsequent traversing blocks, for example.
- Task (p2621[0...63])
 - 1: POSITIONING
 - 2: FIXED ENDSTOP
 - 3: ENDLESS_POS
 - 4: ENDLESS_NEG
 - 5: WAIT
 - 6: GOTO
 - 7: SET_O
 - 8: RESET_O
 - 9: JERK
- Motion parameters
 - Target position or traversing distance (p2617[0...63])
 - Velocity (p2618[0...63])
 - Acceleration override (p2619[0...63])
 - Deceleration override (p2620[0...63])
- Task mode (p2623[0...63])
The execution of a traversing task can be influenced by parameter p2623 (task mode). This is automatically written by programming the traversing blocks in STARTER.
Value = 0000 cccc bbbb aaaa
 - aaaa: Display/hide
 - 0000: Block is not hidden
 - 0001: Block is hiddenA hidden block cannot be selected binary-coded via binector inputs p2625 to p2630. An alarm is output if you attempt to do so.
 - bbbb: Continuation condition
 - 0000, END: 0/1 edge at p2631
 - 0001, CONTINUE_WITH_STOP:
The exact position parameterized in the block is approached (brake to standstill and positioning window monitoring) before block processing can continue.

0010, CONTINUE_ON-THE-FLY:

The system switches to the next traversing block "on the fly" when the braking point for the current block is reached (if the direction needs to be changed, this does not occur until the drive stops within the positioning window).

0011, CONTINUE_EXTERNAL:

Same as "CONTINUE_ON-THE-FLY", except that an instant block change can be triggered up to the braking point by a 0/1 edge. The 0/1 edge can be triggered via the binector input p2633 when p2632 = 1 or via the measuring probe input p2661, which is connected to parameter r2526.2 of the "position control" function module, when p2632 = 0. Position detection via the measuring input can be used as an accurate starting position for relative positioning. If an external block change is not triggered, a block change is triggered at the braking point.

0100, CONTINUE_EXTERNAL_WAIT

Control signal "External block change" can be used to trigger a flying changeover to the next task at any time during the traveling phase. If "External block change" is not triggered, the axis remains in the parameterized target position until the signal is issued. The difference here is that with CONTINUE_EXTERNAL, a flying changeover is carried out at the braking point if "External block change" has not been triggered, while here the drive waits for the signal in the target position.

0101, CONTINUE_EXTERNAL_ALARM

This is the same as CONTINUE_EXTERNAL_WAIT, except that alarm A07463 "External traversing block change in traversing block x not requested" is output when "External block change" is not triggered by the time the drive comes to a standstill. The alarm can be converted to a fault with a stop response so that block processing can be aborted if the control signal is not issued.

- cccc: positioning mode

With the POSITON task (p2621 = 1), defines how the position specified in the traversing task is to be approached.

0000, ABSOLUTE:

The position specified in p2617 is approached.

0001, RELATIVE:

The axis is traveled along the value specified in p2617.

0010, ABS_POS:

For rotary axes with modulo offset only. The position specified in p2617 is approached in a positive direction.

0011, ABS_NEG:

For rotary axes with modulo offset only. The position specified in p2617 is approached in a negative direction.

- Task parameter (command-dependent significance) (p2622[0...63])

Intermediate stop and reject traversing task

The intermediate stop is activated by a 0 signal at p2640. After activation, the system brakes with the parameterized deceleration value (p2620 or p2645).

The current traversing task can be canceled by a 0 signal at p2641. After activation, the system brakes with the maximum deceleration (p2573).

The "intermediate stop" and "cancel traversing task" functions are only effective in the modes "traversing blocks" and "direct setpoint input/MDI".

POSITIONING

The POSITIONING task initiates motion. The following parameters are evaluated:

- p2616[x] Block number
- p2617[x] Position
- p2618[x] Velocity
- p2619[x] Acceleration override
- p2620[x] Acceleration override
- p2623[x] Task mode

The task is executed until the target position is reached. If, when the task is activated, the drive is already located at the target position, then for the block change enable (CONTINUE_ON-THE-FLY or CONTINUE_EXTERNAL, the text task is selected in the same interpolation clock cycle. For CONTINUE_WITH_STOP, the next block is activated in the next interpolation clock cycle. CONTINUE_EXTERNAL_ALARM causes a message to be output immediately.

FIXED STOP

The FIXED STOP task triggers a traversing movement with reduced torque to fixed stop.

The following parameters are relevant:

- p2616[x] Block number
- p2617[x] Position
- p2618[x] Velocity
- p2619[x] Acceleration override
- p2620[x] Acceleration override
- p2623[x] Task mode
- p2622[x] Task parameter clamping torque [0.01 Nm] with rotary motors or clamping force in [0.01 N] with linear motors.

Possible continuation conditions include END, CONTINUE_WITH_STOP, CONTINUE_EXTERNAL, CONTINUE_EXTERNAL_WAIT.

ENDLESS POS, ENDLESS NEG

Using these tasks, the axis is accelerated to the specified velocity and is moved, until:

- A software limit switch is reached.
- A STOP cam signal has been issued.
- The traversing range limit is reached.
- Motion is interrupted by the control signal "no intermediate stop/intermediate stop (p2640).
- Motion is interrupted by the control signal "do not reject traversing task/reject traversing task" (p2641).
- An external block change is triggered (with the appropriate continuation condition).

The following parameters are relevant:

- p2616[x] Block number
- p2618[x] Velocity
- p2619[x] Acceleration override
- p2623[x] Task mode

All continuation conditions are possible.

JERK

Jerk limitation can be activated (command parameter = 1) or deactivated (task parameter = 0) by means of the JERK task. The signal at the binector input p2575 "Active jerk limitation" must be set to zero. The value parameterized in "jerk limit" p2574 is the jerk limit.

A precise stop is always carried out here regardless of the parameterized continuation condition of the task preceding the JERK task.

The following parameters are relevant:

- p2616[x] Block number
- p2622[x] Task parameter = 0 or 1

All continuation conditions are possible.

WAITING

The WAIT order can be used to set a waiting period, which should expire before the following order is processed.

The following parameters are relevant:

- p2616[x] Block number
- p2622[x] Task parameter = delay time in milliseconds ≥ 0 ms
- p2623[x] Task mode

The delay time is entered in milliseconds - but is rounded-off to a multiple of the interpolator clock cycles p0115[5]. The minimum delay time is one interpolation clock cycle; this means that if a delay time is parameterized, which is less than an interpolation clock cycle, then the system waits for one interpolation clock cycle.

Example:

Wait time: 9 ms

Interpolation clock cycle: 4 ms

Active waiting time: 12 ms

A precise stop is always carried out here before the wait time regardless of the parameterized continuation condition of the order preceding the WAIT order. The WAIT task can be executed by an external block change.

Possible continuation conditions include END, CONTINUE_WITH_STOP, CONTINUE_EXTERNAL, CONTINUE_EXTERNAL_WAIT, and CONTINUE_EXTERNAL_ALARM. The fault message is triggered when "External block change" has still not been issued after the waiting time has elapsed.

GOTO

Using the GOTO task, jumps can be executed within a sequence of traversing tasks. The block number which is to be jumped to must be specified as task parameter. A continuation condition is not permissible. If there is a block with this number, then alarm A07468 (jump destination does not exist in traversing block x) is output and the block is designated as being inconsistent.

The following parameters are relevant:

- p2616[x] Block number
- p2622[x] Task parameter = Next traversing block number

Any two of the SET_O, RESET_O and GOTO orders can be processed in an interpolation cycle and a subsequent POSITION and WAIT order can be started.

SET_O, RESET_O

The tasks SET_O and RESET_O allow up to two binary signals (output 1 or 2) to be simultaneously set or reset. The number of the output (1 or 2) is specified bit-coded in the task parameter.

The following parameters are relevant:

- p2616[x] Block number
- p2622[x] Task parameter = bit-coded output:
 - 0x1: Output 1
 - 0x2: Output 2
 - 0x3: Output 1 + 2

Possible continuation conditions are END, CONTINUE_ON-THE-FLY and CONTINUE_WITH_STOP, and CONTINUE_EXTERNAL_WAIT.

The binary signals (r2683.10 (output 1) (or r2683.11 (output 2))) can be assigned to digital outputs. The assignment in STARTER is made using the button "configuration digital output".

Any two of the SET_O, RESET_O and GOTO orders can be processed in an interpolation cycle and a subsequent POSITION and WAIT order can be started.

Function diagrams (see SINAMICS S120/S150 List Manual)

- 3616 Traversing blocks operating mode

Overview of important parameters (see SINAMICS S120/S150 List Manual)

- p2616 EPOS traversing block, block number
- p2617 EPOS traversing block, position
- p2618 EPOS traversing block, velocity
- p2619 EPOS traversing block, acceleration override
- p2620 EPOS traversing block, deceleration override
- p2621 EPOS traversing block, task
- p2622 EPOS traversing block, task parameter
- p2623 EPOS traversing block, task mode
- p2625...p2630 BI: EPOS block selection bits 0 ... 5

7.9.5 Travel to fixed stop

Description

The "Travel to fixed stop" function can be used, for example, to traverse sleeves to a fixed stop against the workpiece with a predefined torque. In this way, the workpiece can be securely clamped. The clamping torque can be parameterized in the traversing task (p2622). An adjustable monitoring window for travel to fixed stop prevents the drive from traveling beyond the window if the fixed stop should break away.

In positioning mode, travel to fixed stop is started when a traversing block is processed with the FIXED STOP command. In this traversing block, in addition to the specification of the dynamic parameterized position, speed, acceleration override and delay override, the required clamping torque can be specified as task parameter p2622. From the start position onwards, the target position is approached with the parameterized speed. The fixed stop (the workpiece) must be between the start position and the braking point of the axis; that is, the target position is placed inside the workpiece. The preset torque limit is effective from the start, i.e. travel to fixed stop also occurs with a reduced torque. The preset acceleration and delay overrides and the current speed override are also effective. Dynamic following error monitoring (p2546) in the position controller is not effective when traveling to the fixed stop. As long as the drive travels to the fixed stop or is in fixed stop, the "Travel to fixed stop active" status bit r2683.14 is active.

Fixed stop is reached

As soon as the axis comes into contact with the mechanical fixed stop, the closedloop control in the drive raises the torque so that the axis can move on. The torque increases up to the value specified in the task and then remains constant. Depending on the binector input p2637 (fixed stop reached), the "fixed stop reached" status bit r2683.12 is set if:

- the following error exceeds the value set in parameter p2634 (fixed stop: maximum following error) (p2637 = r2526.4)
- external status via the signal at binector input p2637 (fixed stop reached), if this p2637 ≠ r2526.4)

In travel to fixed stop, the clamping torque or clamping force in the traversing block is configured via the task parameter. It is specified in the units 0.01 Nm or 1 N (rotary / linear motor). The function module is coupled to the torque limit of the basic system via the connector output r2686[0] (torque limit upper) or r2686[1] (torque limit lower), which are connected to the connector input p1528 (torque limit upper scaling) or p1529 (torque limit lower scaling). The connector outputs r2686[0] (torque limit upper) and r2686[1] (torque limit lower) are set to 100% when fixed stop is not active. During active fixed stop, r2686[0] (torque limit upper) or r2686[1] (torque limit lower) are evaluated as a percentage of p1522/p1523 in such a way that the specified clamping torque or clamping force is limited.

When the fixed stop is acknowledged (p2637), the "Speed setpoint total" (p2562) is frozen, as long as the binector input p2553 (fixed stop reached message) is set. The speed control holds the setpoint torque due to the applied speed setpoint. The setpoint torque is output for diagnosis via the connector output r2687 (torque setpoint).

If the parameterized clamping torque is reached at the fixed stop, the status bit r2683.13 "Fixed stop clamping torque reached" is set.

Once the "Fixed stop reached" status has been detected, the traversing task "Travel to fixed stop" is ended. The program advances to the next block depending on the task parameterization. The drive remains in fixed stop until the next positioning task is processed

or the system is switched to jog mode. The clamping torque is therefore also applied during subsequent waiting tasks. The continuation condition CONTINUE_EXTERNAL_WAIT can be used to specify that the drive must remain at the fixed stop until a step enabling signal is applied externally.

As long as the drive remains in fixed stop, the position setpoint is adjusted to the actual position value (position setpoint = actual position value). Fixed stop monitoring and controller enable are active.

Note

If the drive is in fixed stop, it can be referenced using the control signal "Set reference point."

If the axis leaves the position that it had at detection of the fixed stop by more than the selected monitoring window for the fixed stop p2635, then the status bit r2683.12 is reset. At the same time, the speed setpoint is set to zero, and fault F07484 "Fixed stop outside of the monitoring window" is triggered with the reaction OFF3 (quick stop). The monitoring window can be set using the parameter p2635 ("Fixed stop monitoring window"). It applies to both positive and negative traversing directions and must be selected such that it will only be triggered if the axis breaks away from the fixed stop.

Fixed stop is not reached

If the brake application point is reached without the "fixed stop reached" status being detected, then the fault F07485 "Fixed stop is not reached" is output with fault reaction OFF1, the torque limit is canceled and the drive cancels the traversing block.

Note

- The fault can be changed into an alarm (see chapter: "Message configuration" in the Commissioning Manual IH1), which means that the drive program will advance to the next specified block.
 - The target point must be sufficiently far inside the workpiece.
-

Interruption to "Travel to fixed stop"

The "travel to fixed stop" traversing task can be interrupted and continued using the "intermediate stop" signal at the binector input p2640. The block is canceled using the binector input signal p2641 "Reject traversing task" or by removing the controller enable. In all of these cases, the drive is correspondingly braked. Measures are taken to prevent any risk of damage if the block is canceled when an axis has almost reached the fixed stop (setpoint already beyond the fixed stop, but still within the threshold for fixed stop detection). For this purpose, the position setpoint is made to follow the actual position value after standstill. As soon as the fixed stop is reached, the drive remains in fixed stop even after cancelation. It can be moved away from the fixed stop using jog or by selecting a new traversing task.

Note

The fixed stop monitoring window (p2635) is only activated when the drive is at the fixed stop and remains active until the fixed stop is exited.

Vertical axis

Note

In servo mode, a torque limit offset (p1532) can be entered for vertical axes (see also chapter: Servo control -> Vertical axis).

With asymmetrical torque limits p1522 and p1523, the net weight is taken into account for travel to fixed stop in parameters r2686 and r2687.

If, for example, with a suspended load, p1522 is set to +1000 Nm and p1523 to -200 Nm, then a net weight of 400 Nm (p1522 - p1523) is assumed. If the clamping torque is now configured as 400 Nm, then r2686[0] is preset to 80%, r2686[1] to 0% and r2687 to 800 Nm when travel to fixed stop is activated.

Function diagrams (see SINAMICS S120/S150 List Manual)

- 3616 Traversing blocks mode (r0108.4 = 1)
- 3617 Travel to fixed stop (r0108.4 = 1)
- 4025 Dynamic following error monitoring, cam controllers (r0108.3 = 1)

Overview of important parameters (see SINAMICS S120/S150 List Manual)

- p1528 CI: Torque limit, upper/motoring, scaling
- p1529 CI: Torque limit, lower/regenerative scaling
- p1545 BI: Activate travel to fixed stop
- r2526 CO/BO: LR status word
- p2622 EPOS traversing block, task parameter
- p2634 EPOS Fixed stop maximum permissible following error
- p2635 EPOS Fixed stop monitoring window
- p2637 BI: EPOS Fixed stop reached
- p2638 BI: EPOS Fixed stop outside monitoring window
- r2683 CO/BO: EPOS status word 1
- r2686 CO: EPOS Torque limit effective

7.9.6 Direct setpoint input (MDI)

Features

- Select direct setpoint input (p2647)
- Select positioning type (p2648)
- Direction selection (p2651, p2652)
- Setting-up (p2653)
- Fixed setpoints
 - CO: Position setpoint (p2690)
 - CO: Velocity setpoint (p2691)
 - CO: Acceleration override (p2692)
 - CO: Deceleration override (p2693)
- Connector inputs
 - CI: MDI position setpoint (p2642)
 - CI: MDI velocity setpoint (p2643)
 - CI: MDI acceleration override (p2644)
 - CI: MDI deceleration override (p2645)
 - CI: Velocity override (p2646)
- Accept (p2649, p2650)

Description

The direct setpoint input function allows for positioning (absolute, relative) and setup (endless position-controlled) by means of direct setpoint input (e.g. via the PLC using process data).

During traversing, the motion parameters can also be influenced (on-the-fly setpoint acceptance) and an on-the-fly change can be undertaken between the Setup and Positioning modes. The "direct setpoint input" mode (MDI) can also be used if the axis is not referenced in the "setup" or "relative positioning" modes, which means that "flying referencing" (see the separate section), flying synchronization, and post-referencing are possible.

The direct setpoint input function is activated by p2647 = 1. A distinction is made between two modes: positioning mode (p2653 = 0) and setup mode (p2653 = 1).

In "positioning" mode, the parameters (position, velocity, acceleration and deceleration) can be used to carry out absolute (p2648 = 1) or relative (p2648 = 0) positioning with the parameter p2690 (fixed setpoint position).

In the setting-up mode, using parameters (velocity, acceleration and deceleration) "endless" closed-loop position control behavior can be carried out.

It is possible to make a flying changeover between the two modes.

If continuous acceptance (p2649 = 1) is activated, changes to the MDI parameters are accepted immediately. Otherwise the values are only accepted when there is a positive edge at binector input p2650 (setpoint acceptance edge).

Note

Continuous acceptance p2649 = 1 can only be set with free telegram configuration p0922 = 999. No relative positioning is allowed with continuous acceptance.

The direction of positioning can be specified using p2651 (positive direction specification) and p2652 (negative direction specification). If both inputs have the same status, the shortest distance is traveled during absolute positioning (p2648 = "1") of modulo axes (p2577 = "1").

To use the positioning function, the drive must be in operating mode (r0002 = 0). The following options are available for starting positioning:

- p2649 is "1" and positive edge on p2647
- p2649 is "0" and p2647 is "1"
 - positive edge on p2650 or
 - positive edge on p2649

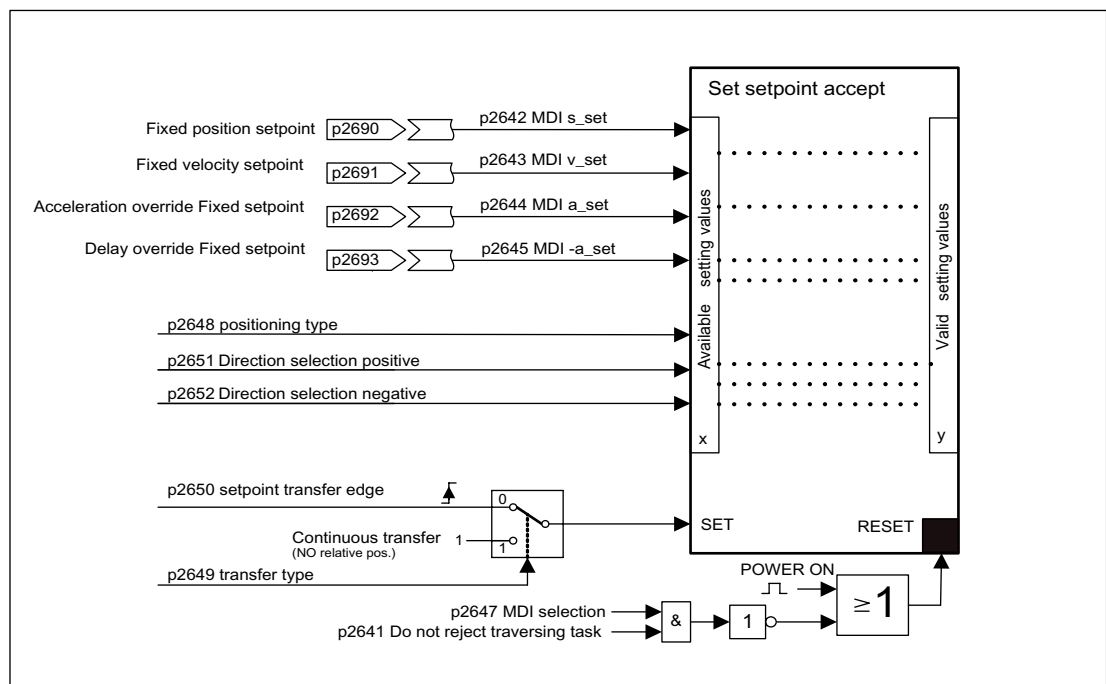


Figure 7-19 Setpoint transfer

MDI mode with the use of PROFIdrive telegram 110.

If the connector input p2654 is preset with a connector input $\neq 0$ (e.g. with PROFIdrive telegram 110 with r2059[11]), then it will internally manage the control signals "Select positioning type", "Positive direction selection" and "Negative direction selection". The following characteristics are evaluated from the value of the connector input:

- xx0x = absolute -> p2648
- xx1x = relative -> p2648
- xx2x = ABS_POS -> p2648, p2651
- xx3x = ABS_NEG -> p2648, p2652

Intermediate stop and reject traversing task

The intermediate stop is activated by a 0 signal at p2640. After activation, the system brakes with the parameterized deceleration value (p2620 or p2645).

The current traversing task can be canceled by a 0 signal at p2641. After activation, the system brakes with the maximum deceleration (p2573).

The "intermediate stop" and "cancel traversing task" functions are only effective in the modes "traversing blocks" and "direct setpoint input/MDI".

Function diagrams (see SINAMICS S120/S150 List Manual)

- 3618 EPOS - direct setpoint input mode/MDI, dynamic values
- 3620 EPOS - direct setpoint input mode/MDI

Overview of important parameters (see SINAMICS S120/S150 List Manual)

- p2577 BI: EPOS modulo offset activation
- p2642 CI: EPOS direct setpoint input/MDI, position setpoint
- p2643 CI: EPOS direct setpoint input/MDI, velocity setpoint
- p2644 CI: EPOS direct setpoint input/MDI, acceleration override
- p2645 CI: EPOS direct setpoint input/MDI, delay override
- p2648 BI: EPOS direct setpoint input/MDI, positioning type
- p2649 BI: EPOS direct setpoint input/MDI, acceptance type
- p2650 BI: EPOS direct setpoint input/MDI, setpoint acceptance edge
- p2651 BI: EPOS direct setpoint input/MDI, positive direction selection
- p2652 BI: EPOS direct setpoint input/MDI, negative direction selection
- p2653 BI: EPOS direct setpoint input/MDI, setup selection
- p2654 CI: EPOS direct setpoint input/MDI, mode adaptation
- p2690 CO: EPOS position, fixed setpoint
- p2691 CO: EPOS velocity, fixed setpoint
- p2692 CO: EPOS acceleration override, fixed setpoint
- p2693 CO: EPOS delay override, fixed setpoint

7.9.7 Jog

Features

- Jog signals (p2589, p2590)
- Velocity (p2585, p2586)
- Incremental (p2587, p2588, p2591)

Description

Using parameter p2591 it is possible to change over between jog incremental and jog velocity.

The traversing distances p2587 and p2588 and velocities p2585 and p2586 are entered using the jog signals p2589 and p2590. The traversing distances are only effective for a "1" signal at p2591 (jog, incremental). For p2591 = "0" then the axis moves to the start of the traversing range or the end of the traversing range with the specified velocity.

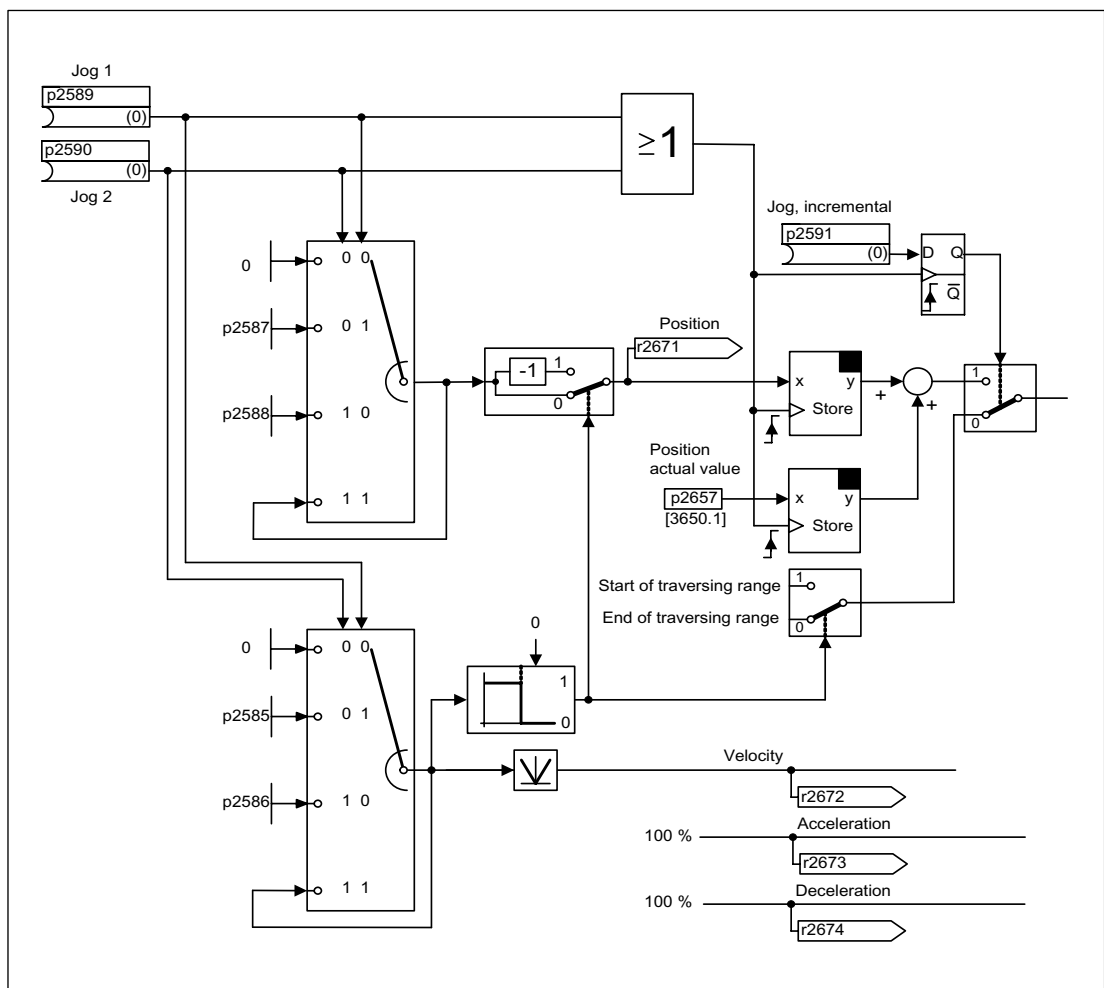


Figure 7-20 Jog mode

Function diagrams (see SINAMICS S120/S150 List Manual)

- 3610 EPOS - jog mode

Overview of important parameters (see SINAMICS S120/S150 List Manual)

- p2585 EPOS jog 1 setpoint velocity
- p2586 EPOS jog 2 setpoint velocity
- p2587 EPOS jog 1 traversing distance
- p2588 EPOS jog 2 traversing distance
- p2589 BI: EPOS jog 1 signal source
- p2590 BI: EPOS jog 2 signal source
- p2591 BI: EPOS jog incremental

7.9.8 Status signals

The status signals relevant to positioning mode are described below.

Tracking mode active (r2683.0)

The "Follow-up active mode" status signal shows that follow-up mode has been activated which can be done by binector input p2655 (follow-up mode) or by a fault. In this status, the position setpoint follows the actual position value, i.e. position setpoint = actual position value.

Setpoint static (r2683.2)

The status signal "setpoint static" indicates that the setpoint velocity has a value of 0. The actual velocity can deviate from zero due to a following error. While the status word has a value of 0, a traversing task is being processed.

Traversing command active (r2684.15)

The status signal "traversing command active" indicates that a traversing command is active. A motion command should be understood to comprise all motions (including jog, setup etc.). Contrary to the status signal "setpoint static", the status signal remains active - e.g. if a traversing command was stopped by a velocity override or intermediate stop.

SW limit switch + reached (r2683.7)

SW limit switch - reached (r2683.6)

These status signals indicate that the parameterized negative p2578/p2580 or positive p2579/p2581 traversing range limit was reached or passed. If both status signals are 0, the drive is located within the traversing limits.

Stop cam minus active (r2684.13)

Stop cam plus active (r2684.14)

These status signals indicate that the STOP cam minus p2569 or STOP cam plus p2570 has been reached or passed. The signals are reset if the cams are left in a directly opposing the approach direction.

Axis moves forwards (r2683.4)

Axis moves backwards (r2683.5)

Axis accelerates (r2684.4)

Drive decelerates (r2684.5)

Drive stationary (zero speed) (r2199.0)

These signals display the current motion status. If the actual absolute speed is less or equal to p2161, then the status signal "drive stationary" is set - otherwise it is deleted. The signals are appropriately set if jog mode, reference point approach or a traversing task is active.

Cam switching signal 1 (r2683.8)

Cam switching signal 2 (r2683.9)

The electronic cam function can be implemented using these signals. Cam switching signal 1 is 0 if the actual position is greater than p2547 - otherwise 1. Cam switching signal 2 is 0 if the actual position is greater than p2548 - otherwise 1. This means that the signal is deleted if the drive is located behind (after) the cam switching position. The position controller initiates these signals.

Direct output 1 (r2683.10)

Direct output 2 (r2683.11)

If a digital output is parameterized, the function "direct output 1" or "direct output 2", then it can be set by a corresponding command in the traversing task (SET_O) or reset (RESET_O).

Following error in tolerance (r2684.8)

When the axis is traversed, closed-loop position controlled, using a model, the permissible following error is determined from the instantaneous velocity and the selected Kv factor. Parameter p2546 defines a dynamic following error window that defines the permissible deviation from the calculated value. The status signal indicates as to whether the following error is within the window (status 1).

Target position reached (r2684.10)

The status signal "target position reached" indicates that the drive has reached its target position at the end of a traversing command. This signal is set as soon as the actual drive position is within the positioning window p2544 and is reset, if it leaves this window.

The status signal is not set, if

- Signal level 1 at binector input p2554 "signal traversing command active".
- Signal level 0 at binector input p2551 "signal setpoint static".

The status signal remains set, until

- Signal level 1 at binector input p2551 "signal setpoint static".

Reference point set (r2684.11)

The signal is set as soon as referencing has been successfully completed. It is deleted as soon as no reference is there or at the start of the reference point approach.

Acknowledgement, traversing block activated (r2684.12)

A positive edge is used to acknowledge that in the mode "traversing blocks" a new traversing task or setpoint was transferred (the same signal level as binector input p2631 activate traversing task). In the mode "direct setpoint input / MDI for setting-up/positioning" a positive edge is used to acknowledge that a new traversing task or setpoint was transferred (the same signal level as binector input p2650 "edge setpoint transfer", if the transfer type was selected using a signal edge (binector input p2649 "0" signal)).

Velocity limiting active (r2683.1)

If the actual setpoint velocity exceeds the maximum velocity p2571 - taking into account the velocity override - it is limited and the control signal is set.

7.10 Connecting the motors in parallel

Description

For easy commissioning of group drives (a number of identical motors operating on one power unit) in control modes servo and vector, the number of parallel-connected motors can be entered in STARTER or in the parameter list (p0306: Number of parallel connected motors).

An equivalent motor is computed internally depending on the number of motors specified. The motor identification run determines the data for an equivalent motor. Motors connected in parallel can also operate on an encoder (on the first motor).

Note

For information about parallel connection of Motor Modules, please refer to section "Parallel connection of power units".

Features

- Up to 20 motors connected in parallel can be operated on one converter system.
- It is not permissible to connect synchronous or reluctance motors in parallel.
- The original motor data set (p300 ff.) is not modified. It is merely the data set transfer to the closed-loop control which is organized according to the number of parallel-connected motors.
- The motor identification routine also works on parallel connections. Supplementary conditions for successful motor identification: The motors are working on the same load and are thus coupled.
- The rotating measurement function also works if the motors can rotate without distance limit. Uneven loading of the motors or a high degree of gear backlash will negatively affect the accuracy of the rotating measurement result.
- The cable lengths for motors connected in parallel must be as symmetrical as possible to afford the most even possible distribution of current among individual motors.

Commissioning via STARTER

Parameter p0306 is assigned in a STARTER commissioning screen. When subsequent parameters are set, p0306 is included in the calculation of the current limit (p0640) and the reference current (p2002).

Parameter p0306 has a value range of 1 to 20 and is MDS-dependent.

To create a parallel connection of motors, the appropriate motor must be selected from the screen list, checkbox "Parallel connection motor" enabled and the number of motors included in the parallel connection entered in the "Number" dropdown box. This display and input facility is available only for vector drives. Parallel connections of motors for servo drives can be configured with the expert list (parameter p0306).

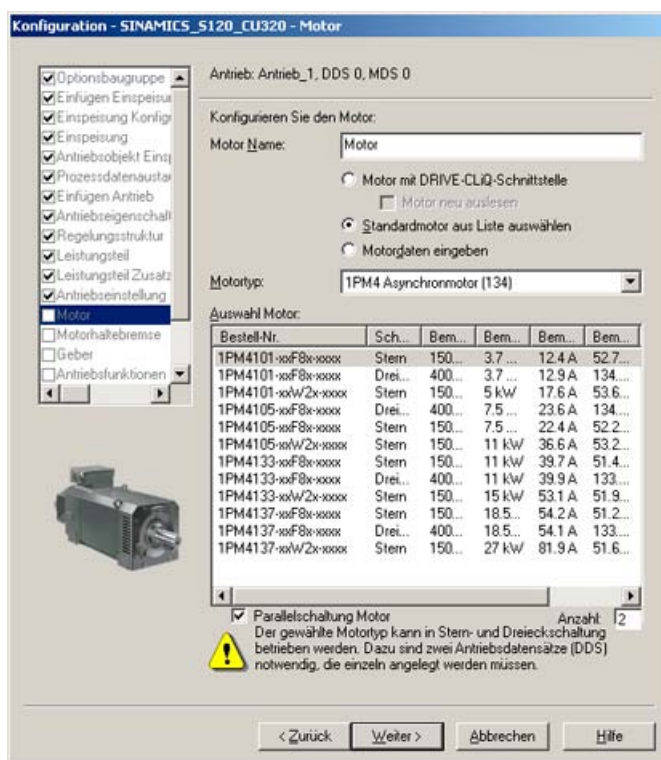


Figure 7-21 Selection of motors for parallel connection

Even SMI motors can be connected in parallel. The first motor is connected to DRIVE-CLiQ via the encoder. The other motors in the connection are of an identical type. Using parameter p0306 and the encoder information obtained via DRIVE-CLiQ, it is possible to determine all the necessary motor data.

Properties of the parallel connection in STARTER

- The rating plate and equivalent circuit diagram parameters are those of the single drive.
- The parallel data set has no code numbers. All motor data are calculated from p0306 and the code numbers of individual motors. The same interlock mechanisms apply as to single drives.
- The "Motor data" screen still displays only the data for the individual motor selected.

Restrictions applicable to parallel connections

The basic governing principle of parallel connections is that the motors involved are mechanically inter-coupled via the load. Where motors need to be decoupled from the connection, the number of motors need to be reduced in p0306 by a DDS/MDS switchover. Since the equivalent circuit diagram changes as a result, it may be necessary to commission these data sets separately (e.g. motor data identification with reduced number of motors). The power unit will otherwise apply false motor data.

An EDS switchover and e.g. 2 SMCs must be used in cases where a motor with encoder needs to be decoupled from connections operating with encoder.

Vector control with encoder for parallel-connected drives functions in the same way as for a single drive if the drives are coupled via the load and the speeds do not differ by more than the working-point-dependent pull-out slip.

Counter-example:

The gear ratios used to couple the motors with the load are large and the backlash and elasticity in the drive train are therefore high. If the load then causes one of the motors to rotate, but the other is still stationary, the drive without an encoder will stall.

If a motor is defective, the individual motor will be shut down on overcurrent by the motor circuit breaker. The power unit will be shut down by the control (if available) or, in the case of a turn-to-turn fault in the motor, the power unit will switch to fault status. The motor must then be decoupled from the parallel grouping. Parameter p0306 is changed by the DDS/MDS switchover.

Overview of important parameters (see SINAMICS S120/S150 List Manual)

- p0306[0...n] Number of motors in parallel connection
- p0307[0...n] Rated motor power
- p0640[0...n] Current limit
- p2002 Reference current

7.11 Parallel connection of power units

7.11.1 Description

Description

Power units (infeeds and Motor Modules) can be connected in parallel with SINAMICS firmware version V2.3 and higher.

All the functions required for parallel operation are stored in the firmware of the Control Unit.

The modular SINAMICS S120 drive system provides the option of operating infeeds and Motor Modules in parallel on S120 Chassis and on S120 Cabinet Modules. SINAMICS S120 units in booksize and blocksize format cannot be operated in parallel.

S120 Motor Modules can be operated in parallel in vector control mode, but not in servo control.

With the objective of extending the SINAMICS power spectrum, SINAMICS S120 supports the parallel connection of identical power units (identical in terms of type, rated voltage, unit rating and firmware version) at the motor and infeed ends, as well as the parallel connection of Motor Modules of identical type. It is therefore not permissible to mix different variants of power unit within the same parallel connection (e.g. a mixture of Basic Line Modules with Smart Line Modules or Basic Line Modules with Active Line Modules).

It can be beneficial to connect power units (infeeds and Motor Modules) in parallel for a variety of reasons:

- To boost the converter output if it is not technically or economically feasible to achieve the required output power by any other means.
- To increase availability in cases where it is necessary after a converter malfunction to maintain emergency operation during which the unit can operate at a lower output than its rated value.

Features

The main characteristics of the parallel connection are:

- Parallel connection of up to four Motor Modules on one motor
 - Parallel connection of multiple Motor Modules on one motor with separate winding systems (p7003 = 1).

Note:

Motors with separate winding systems are recommended.

- Parallel connection of multiple Motor Modules on one motor with a single winding system (p7003 = 0).



Additional information and instructions in the Equipment Manual must be carefully taken into consideration.

7.11 Parallel connection of power units

- Parallel connection of up to four power units on the infeed side (closed/open loop).
- A Control Unit which controls and monitors parallel connections of power units at the infeed and motor ends. In this case, the Control Unit is not capable of controlling any motor or vector axes in addition to the parallel connections.
- Redundant operation:
Two Control Units which control and monitor parallel connections of power units at the infeed and motor ends. In this case, the Control Units are not capable of controlling any motor or vector axes in addition to the parallel connections.
- The power units connected in parallel must be connected to the same Control Unit.
- With a CU320, a maximum of one parallel connection on the line side and one parallel connection on the infeed side can be implemented.
- Components at the line and motor ends for decoupling the parallel-connected power units and for ensuring symmetrical current distribution.
- Simple commissioning, because no special parameterization is necessary.
- Individual power units can be parameterized and diagnosed (troubleshooting) with p7000 ff.

The following S120 Modules can be connected in parallel:

- Basic Line Modules, 6-pulse and 12-pulse (each with the relevant line reactors)
- Smart Line Modules, 6-pulse and 12-pulse (each with the relevant line reactors)
- Active Line Modules, 6-pulse and 12-pulse (each with the relevant Active Interface Modules)
- Motor Modules (in vector control mode)

A slight current reduction of a few per cent below the rated current must be taken into account when parallel connections of power units are configured.

The current reduction (derating) from the rated value of the individual modules is as follows:

- 7.5 % for parallel connections of S120 Basic Line Modules and S120 Smart Line Modules when neither module is equipped with a current compensation control.
- 5.0 % for parallel connections of S120 Active Line Modules and S120 Motor Modules when each module is equipped with a current compensation control.

7.11.2 Applications of parallel connections

Parallel connection of power units

Parallel connections of power units (infeeds can be implemented as either a 6-pulse circuit if the parallel-connected modules are connected to a two-winding transformer, or as a 12-pulse circuit if the parallel-connected modules are connected to a three-winding transformer with secondary windings that supply voltages with a phase shift of 30 °). The following diagram is an overview of the module variants discussed in this section for inclusion in power unit parallel connections.

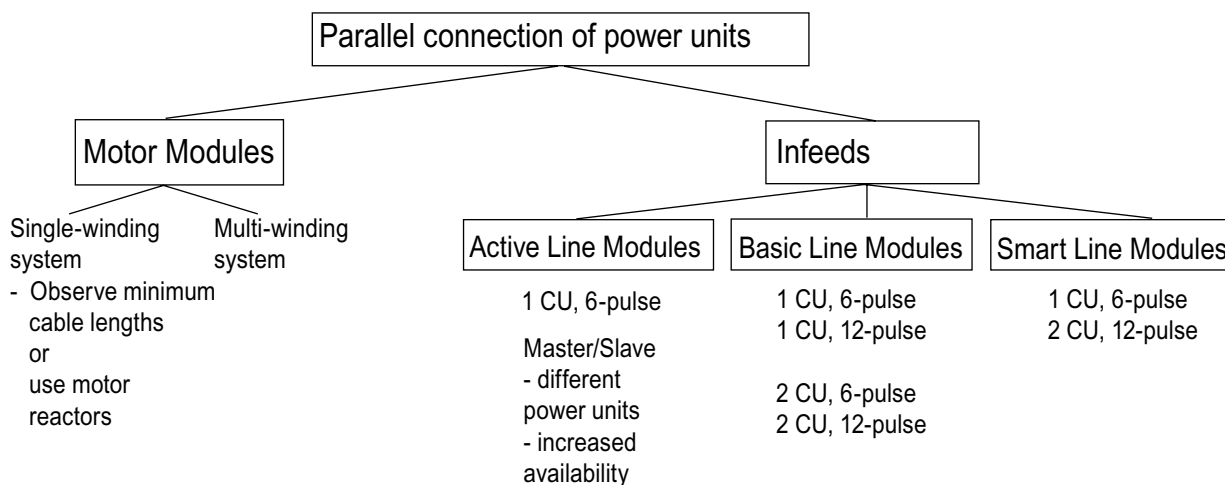


Figure 7-22 Parallel connection of power units - overview

Note

For further information about parallel connection of power units, especially instructions on how to configure them, see "SINAMICS Configuration Manual for G130, G150, S120 Chassis, S120 Cabinet Modules, S150".

Infeed concepts - parallel (one CU) and redundant parallel (two CUs)

Some applications require redundant infeeds for a DC line-up. This requirement can be fulfilled through the implementation of multiple, independent infeeds which are connected in parallel to the DC-line-up. Depending on how the drive is dimensioned, the DC line-up can continue operating at between 50 % to 100 % output when one infeed fails. With the redundant variant of the infeed parallel connection, each infeed is controlled by a separate Control Unit and is thus completely independent. With the non-redundant variant, a single Control Unit generally controls all parallel-connected power units which then, from a practical viewpoint, function like a single, high-output infeed.

The type of circuit required depends on whether the redundancy requirement applies only to the infeed itself or also includes the supply-side transformers or the supply systems (see "SINAMICS Configuration Manual G130, G150, S120 Chassis, S120 Cabinet Modules, S150").

6-pulse infeed

With the 6-pulse infeed circuit variant, the two redundant infeeds of identical type are connected to the supply system via a two-winding transformer. As both infeeds are supplied

with exactly the same line voltage, the current distribution is largely symmetrical in normal operation, even with uncontrolled infeeds. The infeeds can thus be dimensioned such that, taking into account a minor current derating factor, each can carry 50 % of the total current. However, if one infeed fails, only half the output remains available. If the full output needs to be available when one infeed fails, then each infeed must be dimensioned to carry the full current.

12-pulse infeed

With the 12-pulse infeed circuit variant, the two redundant infeeds of identical type are also connected to the supply system, but via a three-winding transformer. Depending on the transformer design, the line-side voltages of the two infeeds will include minor tolerances of between about 0.5 % to 1 %. These can cause slightly asymmetrical current distribution in normal operation when uncontrolled infeeds are used and current derating factors must be applied accordingly. If the full output needs to be available when one infeed fails, then each infeed must be dimensioned to carry the full current.

6-pulse, 12-pulse infeed

When separate Control Units are used, pre-charging may not be synchronized accurately enough, i.e. one converter system must be able to pre-charge the total capacitance of the drive line-up. Pre-charging power for the DC link in parallel operation must be dimensioned so that the capacitance of the DC link can be fully charged by a single converter system. Otherwise a separate pre-charging device must be provided.

Basic Line Modules (BLM)

Features

- The DC link voltage is greater than the rms value of the line rated voltage by a factor of 1.35.
- They are used in cases where regenerative feedback capability is not required.
- If regenerative conditions occur in the drive line-up, Braking Modules must be used because they convert the excess energy into heat using braking resistors.

Basic Line Modules are available for the following voltages and power ratings:

Line voltage / unit rating

380 ... 480 V 3 AC / 200 ... 710 kW

500 ... 690 V 3 AC / 250 ... 1100 kW

The following rules must be observed when connecting Basic Line Modules in parallel:

- Up to 4 identical Basic Line Modules can be connected in parallel.
- A shared Control Unit must be used to implement the parallel connection.
- Special Line Connection Modules are available for the parallel connection.
- With multiple infeeds, power must be supplied to the systems from a common infeed point (i.e. the modules cannot be operated on different supplies).
- A current reduction (derating) of 7.5 % must be taken into consideration, regardless of the number of modules connected in parallel.

As Basic Line Modules have no current compensation control, the three-winding transformer, power cabling and line reactors must meet the following requirements in order to provide a balanced current:

- Three-winding transformer must be symmetrical, recommended vector groups Dy5d0 or Dy11d0.
- Relative short-circuit voltage of three-winding transformer $u_k \geq 4\%$.
- Difference between relative short-circuit voltages of secondary windings $\Delta u_k \leq 5\%$.
- Difference between no-load voltages of secondary windings $\Delta U \leq 0.5\%$.
- Use of symmetrical power cabling between the transformer and the Basic Line Modules (cables of identical type with the same cross-section and length)
- Use of suitable line reactors for the Basic Line Modules. Line reactors can be omitted if a double-tier transformer is used and only one Basic Line Module is connected to each secondary winding of the transformer.

A double-tier transformer is generally the only means of meeting the requirements of a three-winding transformer for this application. Line reactors must always be installed if other types of three-winding transformer are used. Alternative solutions for obtaining a phase displacement of 30° , such as two separate transformers with different vector groups, cannot be used due to the inadmissibly high tolerances involved.

6-pulse parallel connection of Basic Line Modules

With the 6-pulse variant of parallel connection, up to four Basic Line Modules on the line side are supplied by a shared two-winding transformer and controlled by a shared Control Unit.

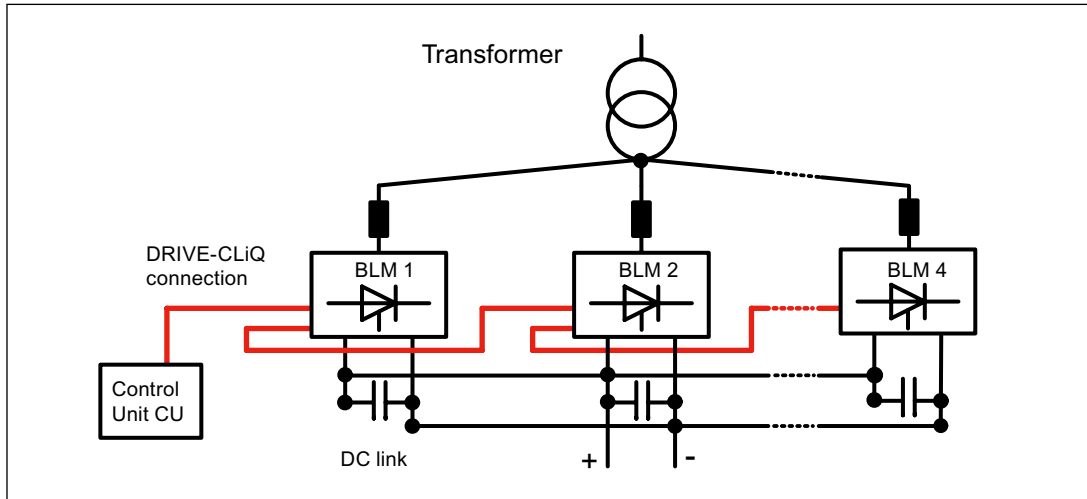


Figure 7-23 Parallel connection BLM 6-pulse single

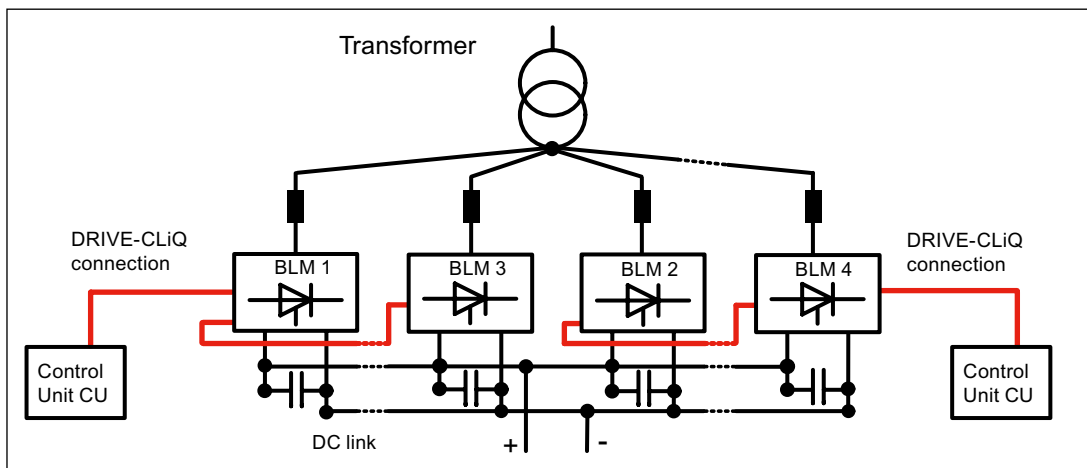


Figure 7-24 Parallel connection BLM 6-pulse redundant

12-pulse parallel connection of Basic Line Modules

With the 12-pulse variant of parallel connection, up to four Basic Line Modules on the line side are supplied by one three-winding transformer. An even number of Basic Line Modules, i.e two or four, must be divided equally between the two secondary windings. The Basic Line Modules of both subsystems are controlled by a common Control Unit - even though the input voltages are 30° out of phase.

There is also the redundant variant with which two BLMs in each case are controlled by one Control Unit.

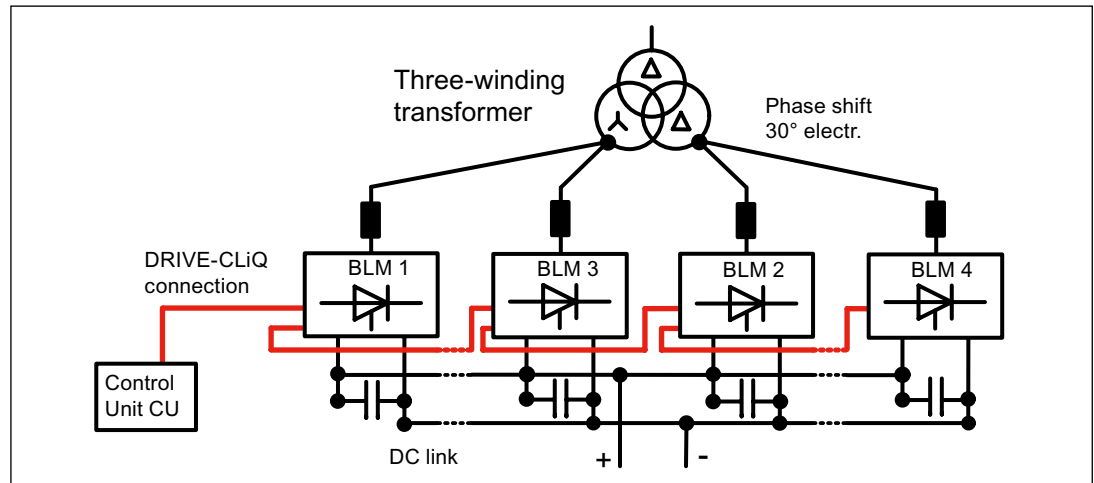


Figure 7-25 Parallel connection BLM 12-pulse single

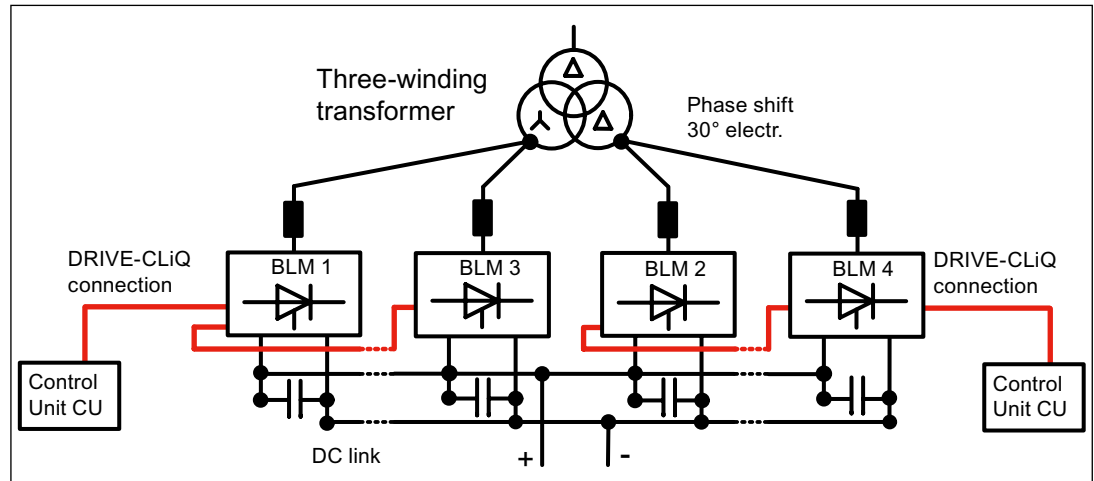


Figure 7-26 Parallel connection BLM 12-pulse redundant

Smart Line Modules (SLM)

Features

Smart Line Modules are infeed/regenerative feedback units. Like the Basic Line Module, they supply energy to the connected Motor Modules, but unlike the Basic Line Module, they are capable of recovering energy to the supply network.

The DC link voltage is greater than the rms value of the line rated voltage by a factor of 1.3.

Smart Line Modules are suitable for connection to grounded (TN, TT) and non-grounded (IT) supply systems. The following voltages and power ratings are available:

Line voltage / unit rating

380 ... 480 V 3 AC / 250 ... 800 kW

500 ... 690 V 3 AC / 450 ... 1400 kW

The following rules must be observed when connecting Smart Line Modules in parallel:

- Up to 4 identical Smart Line Modules can be connected in parallel.
- A shared Control Unit must be used to implement the parallel connection.
- A 4% reactor is always required upstream of each Smart Line Module for the purpose of current balancing.
- Special Line Connection Modules are available for the parallel connection.
- With multiple infeeds, power must be supplied to the systems from a common infeed point (i.e. the modules cannot be operated on different supplies).
- A derating factor of 7.5 % must be taken into consideration, regardless of the number of modules connected in parallel.

6-pulse parallel connection of Smart Line Modules

With the 6-pulse variant of parallel connection, up to four Smart Line Modules on the line side are supplied by a shared two-winding transformer and controlled by a shared Control Unit.

As Smart Line Modules have no current compensation control, the current must be balanced by the following measures:

- Use of suitable line reactors for the Smart Line Modules.
- Use of symmetrical power cabling between the transformer and the parallel-connected Smart Line Modules (cables of identical type with the same cross-section and length).
- The current reduction (derating) from the rated value for individual Smart Line Modules in a parallel connection is 7.5 %.

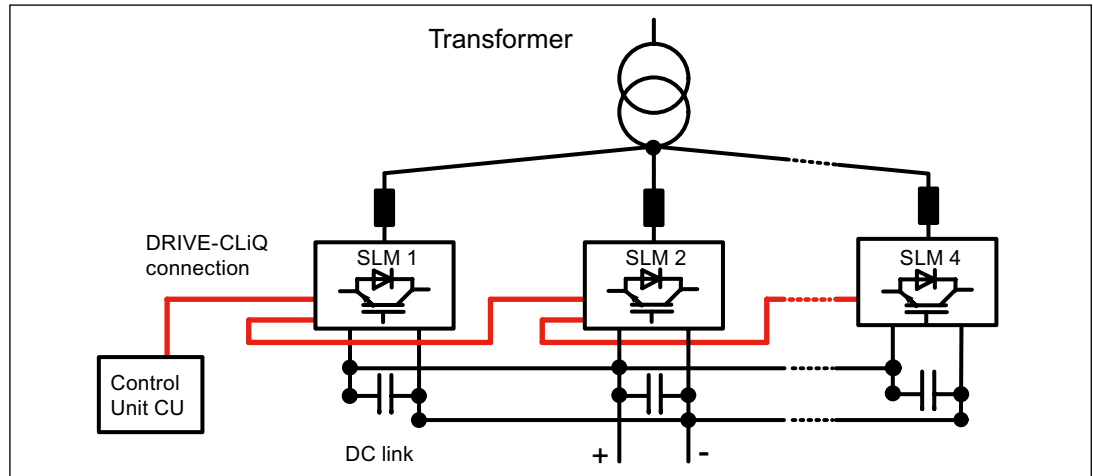


Figure 7-27 Parallel connection SLM 6-pulse single

12-pulse parallel connection of Smart Line Modules

With the 12-pulse variant of parallel connection, up to four Smart Line Modules on the line side are supplied by one three-winding transformer. An even number of Smart Line Modules, i.e. two or four, must be divided equally between the two secondary windings. In contrast to Basic Line Modules, the Smart Line Modules of both subsystems have to be controlled by two Control Units due to the 30° phase displacement in the input voltages.

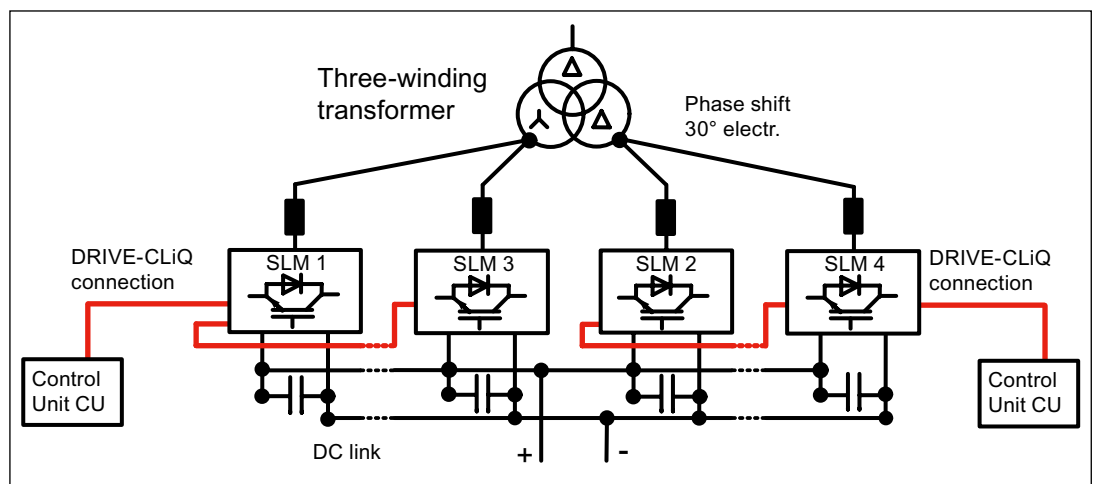


Figure 7-28 Parallel connection SLM 12-pulse redundant

Active Line Modules (ALM)

Features

Active Line Modules can supply the motor with power and recover energy produced in generator mode back to the power network.

The parallel connection of up to four Active Line Modules is supplied by a shared two-winding transformer and controlled synchronously by a shared Control Unit. The modules must not be connected to the supply via a three-winding transformer with phase-displaced secondary voltages.

Active Line Modules produce a stabilized DC voltage that remains constant regardless of fluctuations in the line voltage (the line voltage must range within the permissible tolerances).

The DC link voltage is greater than the rms value of the line rated voltage by a factor of 1.5.

Active Line Modules draw a virtually sinusoidal current from the supply system and cause virtually no line harmonic distortions.

Active Line Modules are available for the following voltages and power ratings:

Line voltage / unit rating

380 ... 480 V 3 AC / 132 ... 900 kW

500 ... 690 V 3 AC / 560 ... 1400 kW

The following rules must be observed when connecting Active Line Modules in parallel:

- Up to 4 identical Active Line Modules can be connected in parallel.
- A shared Control Unit must be used to implement the parallel connection.
- Special Line Connection Modules are available for connecting the modules in parallel.
- With multiple infeeds, power must be supplied to the systems from a common infeed point (i.e. the modules cannot be operated on different supplies).
- A derating factor of 5% must be taken into consideration, regardless of the number of modules connected in parallel.

The following measures help to ensure balanced currents in parallel connections of Active Line Modules:

- Reactors in the Clean Power Filters of the Active Interface Modules.
- Use of symmetrical power cabling between the transformer and the parallel-connected Active Interface Modules / Active Line Modules (cables of identical type with the same cross-section and length).
- The current reduction from the rated value for individual Active Interface Modules / Active Line Modules in a parallel connection is 5 %.

6-pulse parallel connection of Active Line Modules

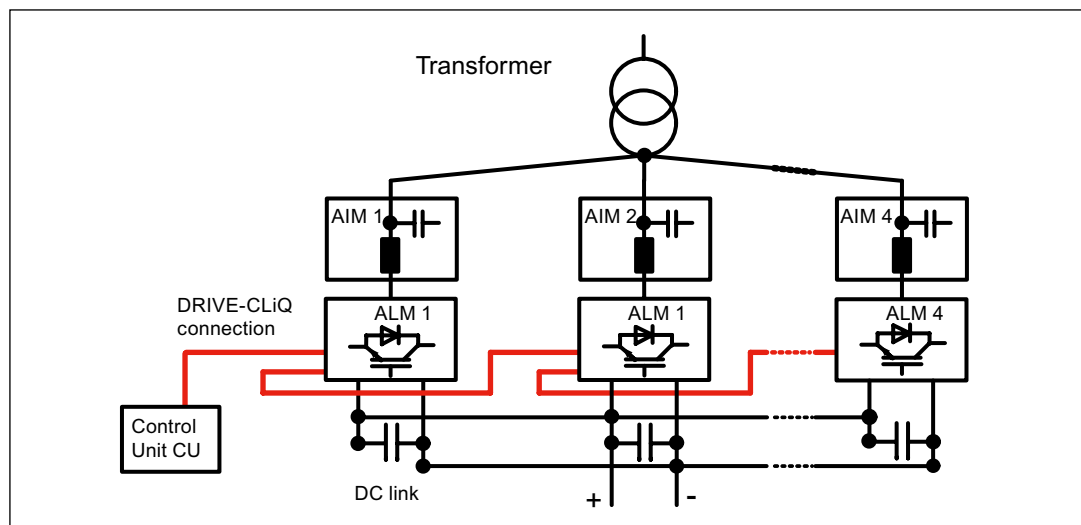


Figure 7-29 Parallel connection ALM 6-pulse single

6-pulse, redundant parallel connection of Active Line Modules with multiple Control Units

For a description of parallel connections of multiple Active Line Modules under the control of separate Control Units, please refer to section "Master/slave function for infeeds".

12-pulse parallel connection of Active Line Modules

The 12-pulse parallel connection can operate in master-slave mode (section "Master/slave function for infeeds").

Modules with different ratings can be included in the connection (as in the case of 6-pulse master-slave operation).

Parallel connection of Motor Modules

Up to four Motor Modules operating in parallel can supply a single motor in vector control mode. The motor can have electrically isolated winding systems or a common winding system. The type of winding system defines

- the decoupling measures to be implemented at the outputs of the parallel-connected Motor Modules
- the modulation systems which may be used to generate pulse patterns.

In conjunction with the type of infeed, the modulation systems define the maximum attainable output voltage or the maximum attainable motor voltage.

Permissible and impermissible winding systems for motors in SINAMICS parallel connections

The following are admissible:

1. Motors with electrically isolated winding systems (multi-winding system) in which the individual systems are not electrically coupled or out of phase with one another.
2. Motors with a common winding system (single winding system) in which all parallel windings in the motor are interconnected in the winding overhang or terminal box in such a way that they have the external appearance of a single winding system.

The following are inadmissible:

1. Motors with electrically isolated winding systems in which the individual systems are out of phase with one another.
2. Motors with separate winding systems on the line side which have a common, internal neutral.

Below are two examples illustrating the possible configuration of parallel connections of motors with a two-winding system or single winding system.

Parallel connection of two Motor Modules on a motor with a two-winding system

Motors with outputs of between about 1 MW and 4 MW for which parallel connections of power units are normally employed are generally designed with multiple parallel windings. If these parallel windings are not interconnected inside the motor, but taken separately to its terminal box(es), then the motor winding systems are separately accessible. In such cases, it is often possible to dimension the parallel connection of S120 Motor Modules in such a way that each motor winding system is effectively supplied by a separate Motor Module in the parallel connection. The diagram below shows this type of arrangement.

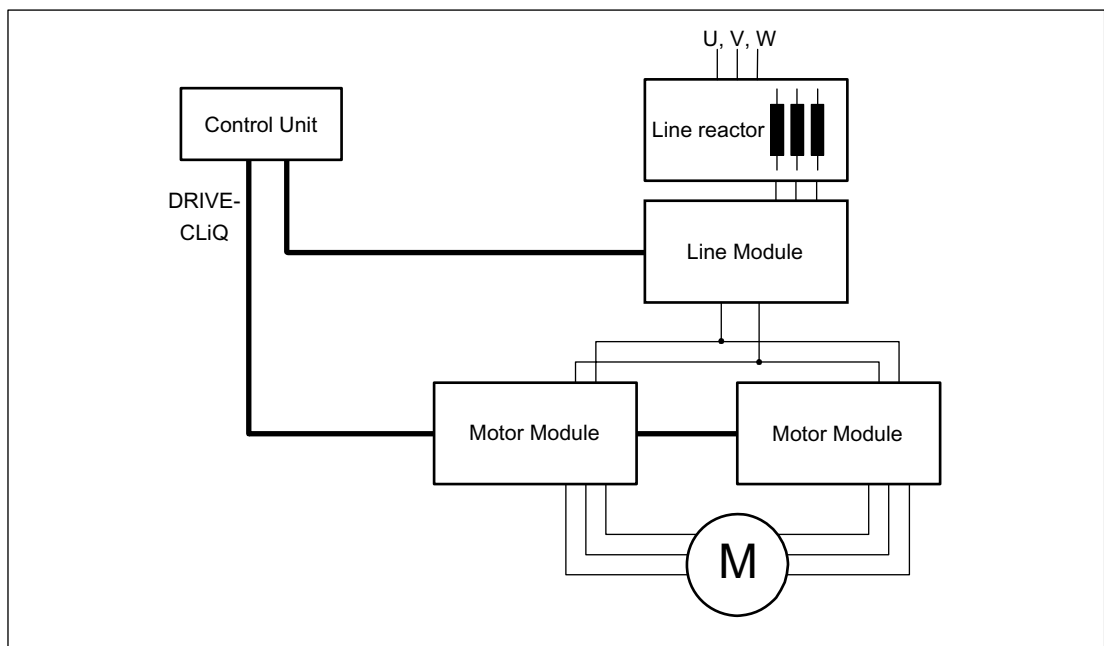


Figure 7-30 Example 1: parallel connection

Owing to the electrical isolation of the winding systems, this arrangement offers the following advantages:

- No decoupling measures need be implemented at the infeed output in order to limit any potential circulating currents between the parallel-connected Motor Modules (no minimum cable lengths and no motor reactors).
- Both types of modulation system, i.e. space vector modulation and pulse-edge modulation can be used, i.e. when the parallel connection is supplied by Basic Line Modules or Smart Line Modules, the maximum obtainable output voltage is almost equal to the three-phase AC line voltage connected to the infeeds (97 %). When the parallel connection is supplied by Active Line Modules, a higher output voltage than the input voltage at the three-phase end can be obtained due to the increased DC link voltage.

The current reduction from the rated value for the individual Motor Modules in a parallel connection is 5 %.

Parallel connection of two Active Line Modules and two Motor Modules on one motor with a single winding system

It is not possible to use motors with separate winding systems for many applications, e.g. it might not be possible to implement the required number of winding systems due to the pole number or because the motor is not supplied by Siemens or because a motor with a common winding system is already available for the application. In such cases, the outputs of the parallel-connected Motor Modules are interconnected via the motor cables in the motor terminal box.

Active Interface Modules isolate switching-frequency harmonics from the supply connection and thus effect basic interference suppression of the supply system. These modules are essential to the operation of Active Line Modules. The VSM10 Voltage Sensing Module also helps Active Line Modules to operate properly when mains power conditions are less than ideal (e.g. severe voltage fluctuations, brief interruptions in the line voltage). VSMs are integrated as standard in the Active Interface Modules for Active Line Modules in chassis format. The following diagram illustrates a parallel connection of Active Line Modules (chassis format) and Motor Modules.

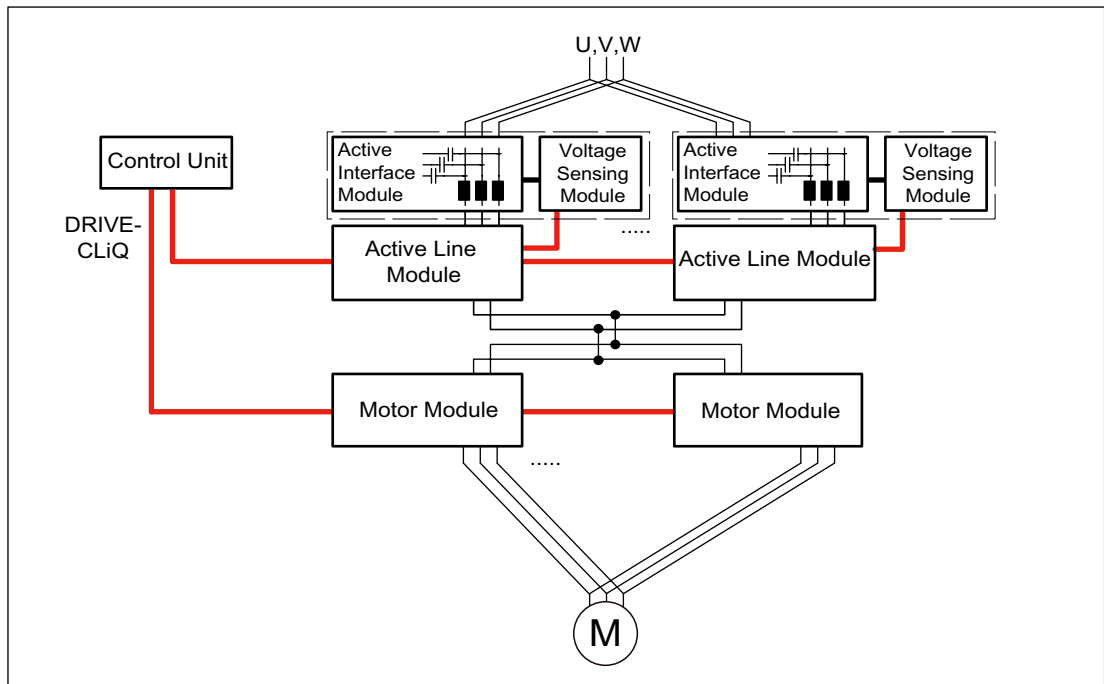


Figure 7-31 Example 2 parallel connection of Active Line Modules (chassis format) and Motor Modules

Owing to the electrical coupling of the winding systems, this arrangement has the following disadvantages:

- Decoupling can be implemented through the use of cables of minimum lengths between the Motor Modules and the motor or alternatively through the installation of motor reactors at the output of each Motor Module. (For details of minimum cable lengths, please refer to section "Parallel connection of Motor Modules for boosting the converter power output" in chapter "Configuring SINAMICS S120 Cabinet Modules" in the "SINAMICS Configuration Manual".
- Space vector modulation is the only permissible modulation system. Since pulse-edge modulation mode is not available, the maximum output voltage is limited to about 92 % of the three-phase input voltage of the infeeds when the parallel connection is supplied by Basic Line Modules or Smart Line Modules. When the parallel connection is supplied by Active Line Modules, a higher output voltage than the input voltage can be obtained due to the increased DC link voltage, even when the unit cannot operate in pulse-edge modulation mode.

The current reduction from the rated value for the individual Motor Modules in a parallel connection is 5 %.

7.11.3 Commissioning

During commissioning, power units connected in parallel are treated like a power unit on the line or motor side.

For detailed information about commissioning, supplementary operating conditions and parameterization options, please refer to references /IH1/: SINAMICS S120 Commissioning and /LH1/: SINAMICS S120/S150 List Manual starting at parameter r7002ff.

7.11.4 Integration

Overview of important parameters (see SINAMICS S120/S150 List Manual)

- p0120 Power unit data sets (PDS) number
- p0121 Power unit component number
- p0602 Par_circuit power unit number temperature sensor
- r7000 Par_circuit number of active power units
- p7001[0..n] Par_circuit enable power units
- r7002[0..n] Par_circuit status power units
- p7003 Par_circuit winding system
- p7010 Par_circuit current asymmetry alarm threshold
- p7011 Par_circuit DC link voltage asymmetry alarm threshold
- ...
- p7249 Par_circuit derating factor
- r7250[0...4] Par_circuit power unit rated output
- r7251[0...4] Par_circuit power unit rated current
- r7252[0...4] Par_circuit power unit maximum current
- ..
- r7320[0...n] Par_circuit VSM line filter capacity phase U
- r7321[0...n] Par_circuit VSM line filter capacity phase V
- r7322[0...n] Par_circuit VSM line filter capacity phase W

7.12 Master/slave function for Active Infeed

7.12.1 Operating principle

Description

This function allows drives to be operated with a redundant infeed. Redundancy can be implemented only in the components specified below, such as LT, CM and VSM. The function can be applied for the following applications:

- Hoisting gear that is to continue functioning in emergency mode (e.g. so that the load can still be placed down)
- Paper and steel works that require a line drive to continue operation at a reduced line velocity.
- Oil production platforms that must continue normal production even if one infeed fails (full redundancy).
- Expansion of output range for plants with infeeds of different dimensions
- Infeed from mains supplies/transformers with phase displacement and/or voltage difference to a common DC link.

This function requires each infeed to be served by a separate Control Unit. It also requires either a higher-level control system (e.g. SIMATIC S7) to transfer current setpoints using the PROFIBUS slave-to-slave communication capability or TM31 modules which transmit current setpoints in the form of analog signals. If the infeeds are appropriately configured, operation can continue even if an infeed has failed. The master is selected by the controller and operated under $U_{DC \text{ link}}$ voltage control (parameter p3513 = 0) with current control. The slaves receive their setpoint directly from the master and are only operated under current control (parameter p3513 = 1).

The infeeds must be isolated from the mains, for example, by means of an isolating transformer. Electrical isolation from the line with isolating transformers is necessary to prevent equalizing currents.

The infeed can be decoupled from the DC link by means of a DC breaker.

7.12.2 Basic structure

Description

DRIVE-CLiQ can be used to connect an Active Line Module (ALM) to a Control Unit (CU) and Voltage Sensing Module (VSM) to create an infeed train. A Motor Module (MoMo) can be combined with a Sensor Module Cabinet (SMC) or Sensor Module External (SME) and a Control Unit to create a drive train. If one of the modules develops a fault, only the affected train will fail. This failure can be signaled to the higher-level controller as a fault message via read parameter r0863.0, for example. The fault is evaluated in the user program of the higher-level controller, which sends corresponding signals to the other infeeds. If a higher-level controller is not used, the fault can be evaluated by means of DCC charts in the Active Line Modules.

All the other trains remain fully functional, which means that they can continue operating normally.

Features

- The "Master/slave" function can be used only in conjunction with Active Line Modules.
- One Active Line Module is the master and up to three others are slaves.
- If the master fails, a slave ALM takes on the role of the master.
- The redundant infeeds can continue functioning normally even if one infeed train has failed.
- Electrical isolation between the infeed trains is needed on the line side to prevent circulating currents caused by non-synchronous pulsing patterns.
- The entire infeed system supplies a joint DC busbar (DC link).
- Since the Active Line Module cannot detect whether the DC link is disconnected or a DC link fuse has blown, an additional circuit to monitor these states must be installed (DC breaker checkback function and fuse signaling contacts).
- The higher-level controller communicates with the CUs and Active Line Modules via PROFIBUS/PROFINET or analog data. If a higher-level controller is not to be used, the control signals must be hard-wired (e.g. via TM31).
- Infeed trains with different outputs can be combined.

Topology

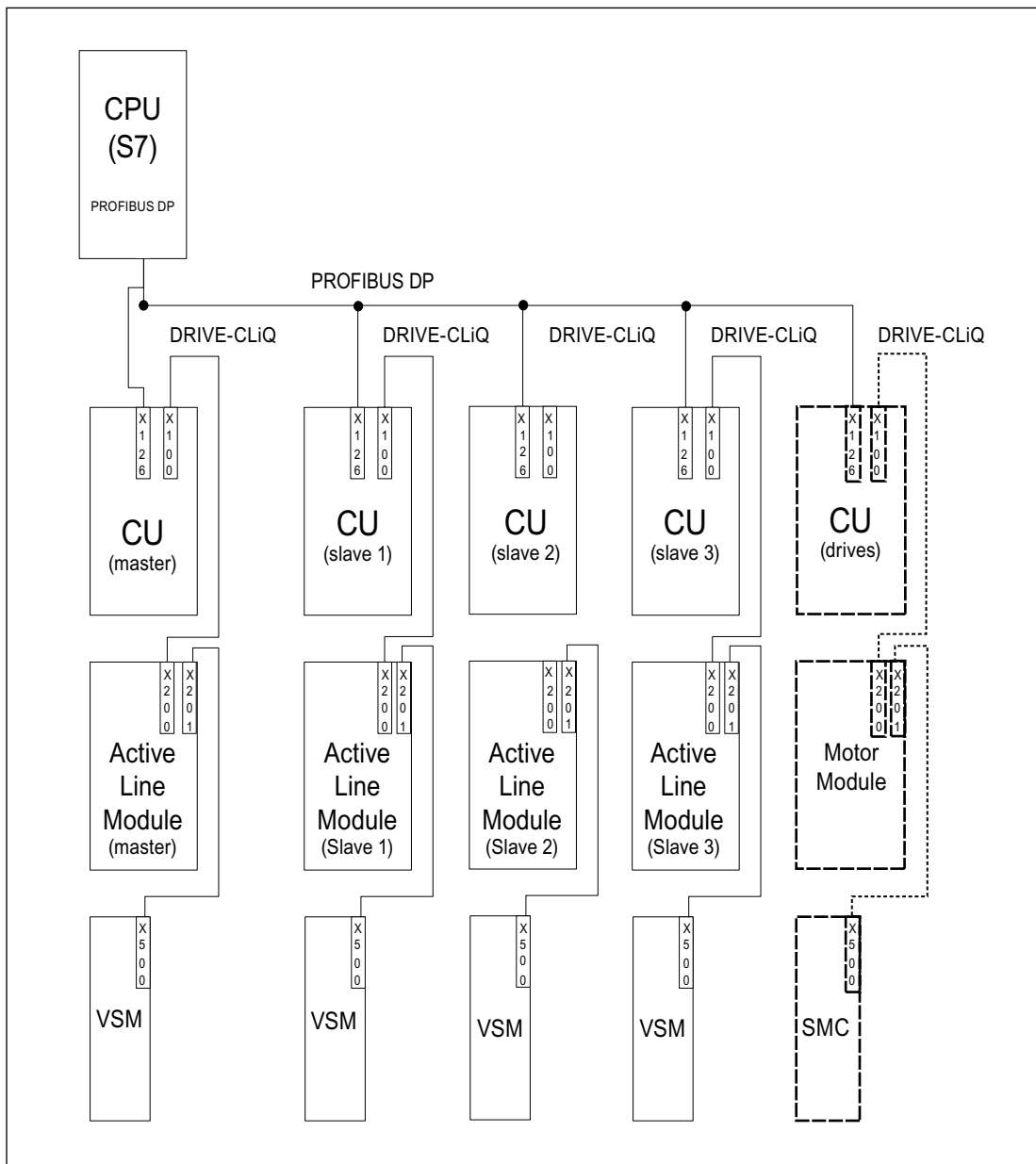


Figure 7-32 Topology structure and communications network based on PROFIBUS for master/slave operation with redundant infeeds (4 infeed trains)

Master/slave operation can be implemented for a maximum of 4 Active Line Modules.

Electrical isolation of infeeds

To successfully implement the structure, a means of electrically isolating the infeeds from the mains supply is required in addition to the SINAMICS components. This is to prevent circulating currents from developing if the pulse patterns of the Active Line Modules are not synchronized.

One of two possible methods of electrical isolation can be chosen:

- Using an isolating transformer for each slave infeed train. The primary side of the transformer is to be connected to the grounded or ungrounded mains transformer. The secondary side must never be grounded.
- Use of a three-winding transformer for the master and slave infeeds. In this case, only the neutral point of one winding may be grounded to prevent further electrical coupling via ground.

Whichever solution is chosen, it must be noted that a separate transformer must be used for each Active Line Module (slaves 1 to 3).

DC breaker

Note

When an infeed develops a fault, it is disconnected on the line side by the line contactor as well as at the DC link end, for example, by a DC breaker. Infeeds must not be switched in to a charged DC link. The DC link must be discharged before another infeed train can be switched in.

An infeed may only be connected to a charged DC link if a DC breaker with pre-charging branch is installed.

7.12.3 Types of communication

Description

To implement master/slave operation, the CUs must be able to communicate with one another. The master passes the active current setpoint to the slaves. To optimize $U_{DC \text{ link}}$ voltage control (DC link voltage), the dead times during communication must be kept to a minimum.

PROFIBUS slave-to-slave communication

The data is exchanged directly between the CUs without passing via the DP master. A PROFIBUS master (higher-level controller) is required to act as a "clock" (e.g. an S7 CPU). The minimum PROFIBUS cycle time that can be set depends on the Profibus master specifications.

Isochronous mode must be set for PROFIBUS. The PROFIBUS cycle time must not exceed 2 ms otherwise the closed-loop control may start to oscillate.

In order to ensure that other infeeds do not switch to fault status when one CU fails, the fault message F01946 "Link to Publisher disconnected" must be deactivated.

The number "1946" can be set in one of the parameters p2101[0..19] and p2101[x] set to "0" in order to block fault message F01946. This means that the drive will not shut down when one slave-to-slave communication node fails.

In a master/slave infeed, a common current controller cycle is essential, particularly when infeeds with different outputs are used. If the number of PROFIBUS nodes or drives increases, this can affect the bus cycle or current controller sampling time.

Communication using an analog setpoint

The analog setpoint between the CUs with Terminal Module 31 (TM31) can also be used as an alternative to bus communication. The factory setting for the sampling time of analog inputs and/or outputs is 4 ms (TM31 inputs/outputs sampling time p4099[1/2]). The sampling times must be an integer multiple of the basic sampling times (r0110). The lowest common denominator of the current controller clock cycle for the integrated infeeds must be selected to implement the "master/slave" function. The sampling time of the analog inputs/outputs is to be the same as the current controller cycle (e.g. 250 μ s). The slave can then use the analog setpoint every second current controller cycle, with the dead time corresponding to one clock cycle.

The advantages of this variant is that the communication system can be configured to be independent of bus and master.

Disadvantages are the additional hardware wiring requirements and the necessity for one TM31 per CU. This communication method is also more susceptible to EMC-related problems. It is not absolutely essential to use a higher-level control (e.g. SIMATIC S7) for this system. Control functions can also be implemented using DCC charts in individual CUs.

7.12.4 Description of functions

Description

The master/slave function module is not implemented in the higher-level control, but directly in the firmware of the CUs and infeeds. It is signaled by r0108.19=1 (option "Master/slave" for infeeds selected in STARTER).

The $V_{DC-link}$ closed-loop control band and current setpoint via multiplexers of the Active Line Module control are implemented in the function module.

All infeeds must be parameterized in such a way that they are fully functional as both a master and slave. The infeeds can be switched between master and slave role during operation. Switchover is handled by a higher-level control according to the setting in parameter p3513. A master is configured to operate with $V_{DC-link}$ control (p3513=0) and current control, while the slaves operate only with current control (p3513=1). The $I_{active(setp)}$ setpoint is transferred from the master to the slave via the communication links between the CUs.

If the Active Line Module is used for reactive power compensation with external reactive current setpoint, then the reactive current setpoint must also be wired for the slave. The master-to-slave setpoint specifies only the active current.

When Active Line Modules have been deactivated, make sure that the maximum DC link capacitance C_{ZK} for the remaining Active Line Modules is not exceeded during the switch-on procedure (danger of overloading the pre-charging resistors).

As of firmware version V2.6, parameter p3422 ($C_{DC-link}$ capacitance) can be changed during operation. This means that the closed-loop control can be adjusted directly via this parameter if the master/slave configuration is changed instead of via the $U_{DC-link}$ controller

(p3560, proportional gain $V_{DC \text{ link}}$ controller). When parameter p3422 changes, parameter p3560 is recomputed automatically by the firmware.

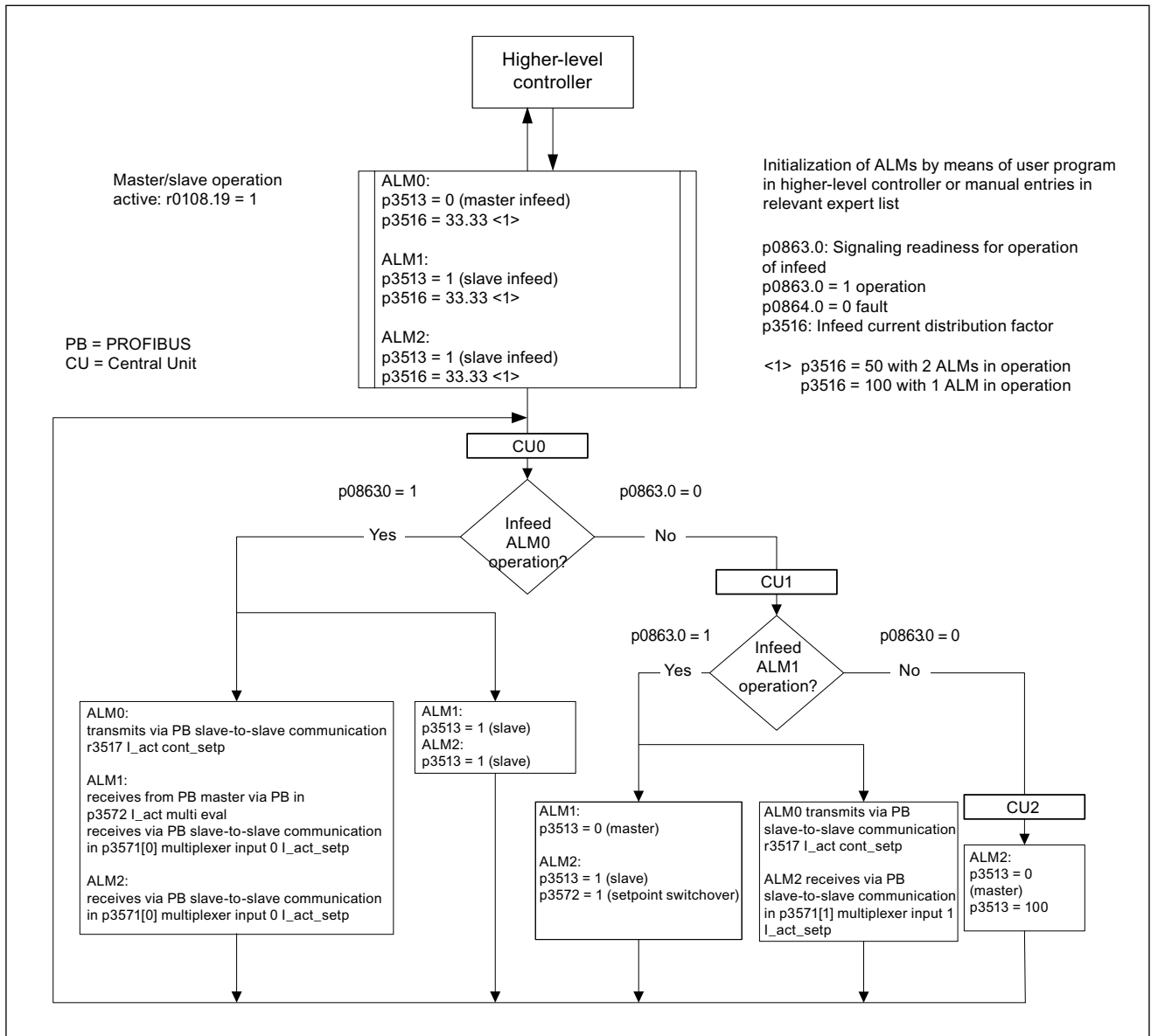


Figure 7-33 Structogram of master/slave operation, 3 identical Active Line Modules (ALMs) of identical output rating, PROFIBUS communication system

Function diagram

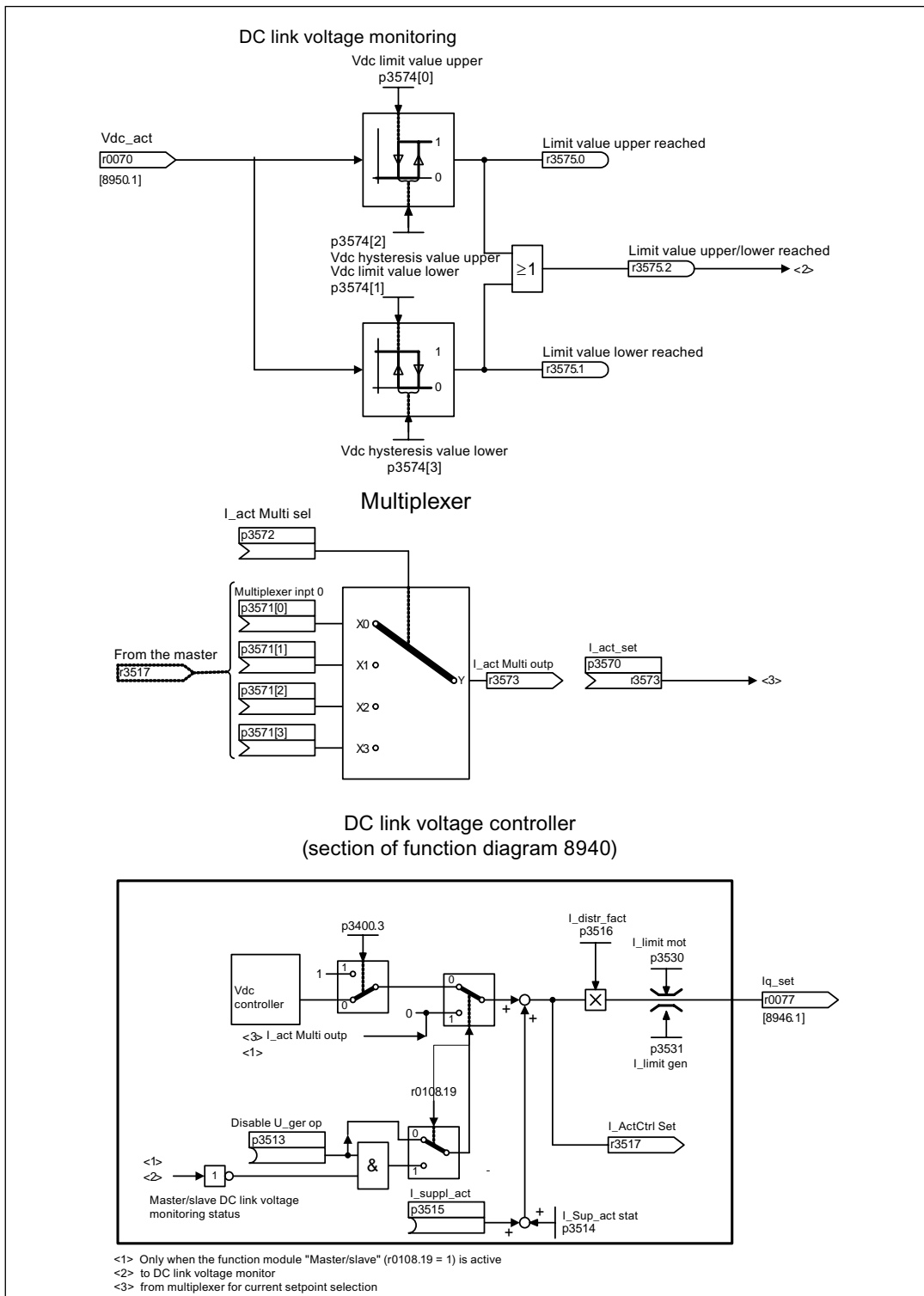


Figure 7-34 Function diagram of master/slave infeeds

Explanation of the function diagram of master/slave infeeds

- **Current setpoint interconnection:**
Parameter p3570 is used to inject the setpoint for the closed-loop current control (active current setpoint from the master). Using parameter p3513, which can be altered in the "ready for operation" state, it is possible to switch between master ($V_{DC-link}$ control, parameter p3513=0) and slave (current control, parameter p3513=1) from the higher-level control system.
- **Current setpoint selection:**
The current setpoint can be selected by means of a control word (XCS) (p3572) using a multiplexer with 4 inputs (X0 ... X3) (p3571.0 ... p3571.3). This means that the current setpoint of the new master can be selected when the old master has failed.
- **Current distribution factor p3516:**
The current distribution factor is calculated from the number of active infeeds and their rated data. The sum of the current distribution factors of all active infeeds must always equal 100%. When an infeed fails or is activated, this factor must be updated immediately.
- **$U_{DC-link}$ control band:**
In master/slave operation, the V_{dc} limits can be violated if the load on the DC link changes abruptly (e.g. load surges or emergency stops). For this reason, the DC link voltage is monitored on the basis of a $V_{DC-link}$ control band. The $V_{DC-link}$ control band defines a specific voltage range with hysteresis in parameter p3574.0/1 (upper/lower limit $V_{DC-link}$ voltage band) and p3574.2/3 (hysteresis upper/lower voltage limit). If the DC link voltage exits this voltage range in either direction, a signal is generated and subsequently evaluated, causing the slave to switch over from current control to $V_{DC-link}$ control. When the DC link voltage returns to within the prescribed limits, the slave is switched back to current control. The $V_{DC-link}$ control operates permanently in "standby mode" so that it can be activated by the generated signal when necessary.

7.12.5 Commissioning

Line supply and DC link identification routine

Before the option "Master/slave" operation is enabled in STARTER, the line supply and DC link identification runs (see corresponding section in this function manual) must be executed during commissioning for each infeed train.

Please follow the instructions given in the commissioning manual for the commissioning of infeeds.

Once each individual infeed has been identified, the correct inductance for current control and the DC link capacitance for voltage control are set.

If a DC breaker for isolating the infeed from the DC link is installed, DC link identification must be performed again for all active infeeds after one has been disconnected, as it is necessary to acquire the DC link capacitance again. If the DC link capacitance is not adjusted by this method, the change in capacitance will affect the dynamic response of the $V_{DC-link}$ control.

Activation of the master/slave function

The "Master/slave" function is activated with the checkbox/option "Master/Slave" in the STARTER wizard for the relevant infeed. Parameter r0108.19 can be used to scan for an active function module in the CU or the Active Line Modules (r0108.19 = 1).

All other required parameters are set via the corresponding expert lists for the relevant infeed.

Note

The bus cycle time for Active Line Modules operating in master-slave operation must not exceed 2 ms, or else the dynamic response (p3560) will need to be severely reduced. This means that load surges can no longer be corrected properly.

Increasing the bus cycle time can cause the DC link voltage to oscillate, an effect which can sometimes be managed by reducing the dynamic response (p3560). The system cannot be guaranteed to function reliably with bus cycle times of > 2 ms.

The Vdc setpoint in p3510 must be set high enough to prevent the standby controller from responding to line overvoltage (the response threshold of 97% can be increased if necessary, but current and voltage harmonics will develop if the setting causes overdrive).

In any case, the tolerance band must be set wide enough that it will not be violated should the control factor reserve controller still respond because the measures described above have not been implemented.

Master/slave switchover

If a power unit fails during operation, the higher-level controller can switch each infeed train from current control (slave operation) to DC link voltage control (master operation) and vice versa (parameter setting for master: p3513= 0, for slave: p3513=1).

7.12.6 Integration

Function diagrams (see SINAMICS S120/S150 List Manual)

- 8940 Controller control factor reserve/controller DC link voltage
- 8948 Master/slave (r0108.19 = 1)

Overview of important parameters (see SINAMICS S120/S150 List Manual)

- p3513 BI: Disable voltage-controlled operation
- p3516 Infeed current distribution factor (parallel connection)
- p3570 CI: Master/slave active current setpoint
- p3571[0...3] CI: Master/slave active current setpoint multiplexer input, multiplexer input value 0 ... 3
- p3572 CI: Master/slave active current setpoint multiplexer selection
- r3573 CO: Master/slave active current setpoint multiplexer output
- p3574[0...3] Master/slave $V_{DC-link}$ monitoring, Vdc limit values/hysteresis
- r3575.0...2 BO: Master/slave DC link voltage monitoring status

Monitoring and protective functions

8.1 Power unit protection, general

Description

SINAMICS power units offer comprehensive functions for protecting power components.

Table 8- 1 General protection for power units

Protection against:	Precautions	Responses
Overcurrent ¹⁾	Monitoring with two thresholds: <ul style="list-style-type: none"> • First threshold exceeded 	A30031, A30032, A30033 Current limiting of a phase has responded. The pulsing in the phase involved is inhibited. If it is too frequently exceeded F30017 → OFF2
	<ul style="list-style-type: none"> • Second threshold exceeded 	F30001 "Overcurrent" → OFF2
Overvoltage ¹⁾	Comparison of DC link voltage with hardware shutdown threshold	F30002 "Overvoltage" → OFF2
Undervoltage ¹⁾	Comparison of DC link voltage with hardware shutdown threshold	F30003 "Undervoltage" → OFF2
Short-circuit ¹⁾	<ul style="list-style-type: none"> • Second monitoring threshold checked for overcurrent 	F30001 "Overcurrent" → OFF2
	<ul style="list-style-type: none"> • Uce monitoring of IGBT modules (chassis only) 	F30022 "Uce monitoring" → OFF2 (chassis only)
Ground fault	Monitoring the sum of all phase currents	After threshold in p0287 is exceeded: F30021 "Power unit: ground fault" --> OFF2 Note: The sum of all phase currents is displayed in r0069[6]. For operation, the value in p0287[1] must be greater than the sum of the phase currents when the insulation is intact.
Line phase failure detection ¹⁾		F30011 "Line phase-failure in main circuit" → OFF2
1) The monitoring thresholds are permanently defined in the converter and cannot be changed.		

8.2 Thermal monitoring and overload responses

Description

The thermal power unit monitor is responsible for identifying critical situations. If alarm thresholds are exceeded, the user can set parameterizable response options that enable continued operation (e.g. with reduced power) and prevent immediate shutdown. The parameterization options, however, only enable intervention below the shutdown thresholds, which cannot be changed by the user.

The following thermal monitoring options are available:

- I²t monitoring - A07805 - F30005

I²t monitoring is used to protect components that have a high thermal time constant compared with semi-conductors. An overload with regard to I²t is present when the converter load r0036 is greater than 100% (load in % in relation to rated operation).

- Heat-sink temperature - A05000 – F30004

Monitoring of the heat-sink temperature (r0037) of the power semi-conductor (IGBT)

- Chip temperature - A05001 - F30025

Significant temperature differences can occur between the IGBT barrier junction and the heat sink. These differences are taken into account and monitored by the chip temperature (r0037).

If an overload occurs with respect to any of these three monitoring functions, an alarm is first output. The alarm threshold p0294 (I²t monitoring) can be parameterized relative to the shutdown (trip) values.

Example

The factory setting for the alarm threshold for chip temperature monitoring is 15 Kelvin (K). Temperature monitoring for the heat sink and inlet air is set to 5 K, that is, the "Overtemperature, overload" alarm is triggered at 15 K or 5 K below the shutdown threshold.

The parameterized responses are induced via p0290 simultaneously when the alarm is output. Possible responses include:

- Reducing the pulse frequency (p0290 = 2, 3)

This is a highly effective method of reducing losses in the power unit, since switching losses account for a high proportion of overall losses. In many applications, a temporary reduction in pulse frequency is tolerable in order to maintain the process.

Disadvantage:

Reducing the pulse frequency increases the current ripple which, in turn, can increase the torque ripple on the motor shaft (with low inertia load), thereby increasing the noise level. Reducing the pulse frequency does not affect the dynamic response of the current control circuit, since the sampling time for the current control circuit remains constant.

- Reducing the output frequency (p0290 = 0,2)

This variant is recommended when you do not need to reduce the pulse frequency or the pulse frequency has already been set to the lowest level. Further, the load should also have a characteristic similar to the fan, that is, a quadratic torque characteristic with falling speed. Reducing the output frequency significantly reduces the converter output current which, in turn, reduces the losses in the power unit.

- No reduction (p0290 = 1)

You should choose this option if it is neither possible to reduce the pulse frequency nor reduce the output current. The converter does not change its operating point once an alarm threshold has been overshoot, which means that the drive can be operated until it reaches its shutdown values. Once it reaches its shutdown threshold, the converter switches itself off and the "Overtemperature, overload" fault is output. The time until shutdown, however, is not defined and depends on the degree of overload.

To ensure that an alarm can be output earlier or that the user can, if necessary, intervene in the drive process (e.g. reduce load/ambient temperature), only the alarm threshold can be changed.

Function diagrams (see SINAMICS S120/S150 List Manual)

- 8014 Thermal monitoring, power unit

Overview of important parameters (see SINAMICS S120/S150 List Manual)

- r0036 Power unit overload
- r0037 Power unit temperatures
- p0290 Power unit overload response
- p0294 Alarm threshold I²t overload power unit

8.3 Block protection

Description

The fault message "Motor blocked" is only triggered if the speed of the drive is below the variable speed threshold set in p2175. With vector control, it must also be ensured that the speed controller is at the limit. With V/f control, the current limit must already have been reached.

Once the ON delay (p2177) has elapsed, the message "Motor blocked" and fault F7900 are generated.

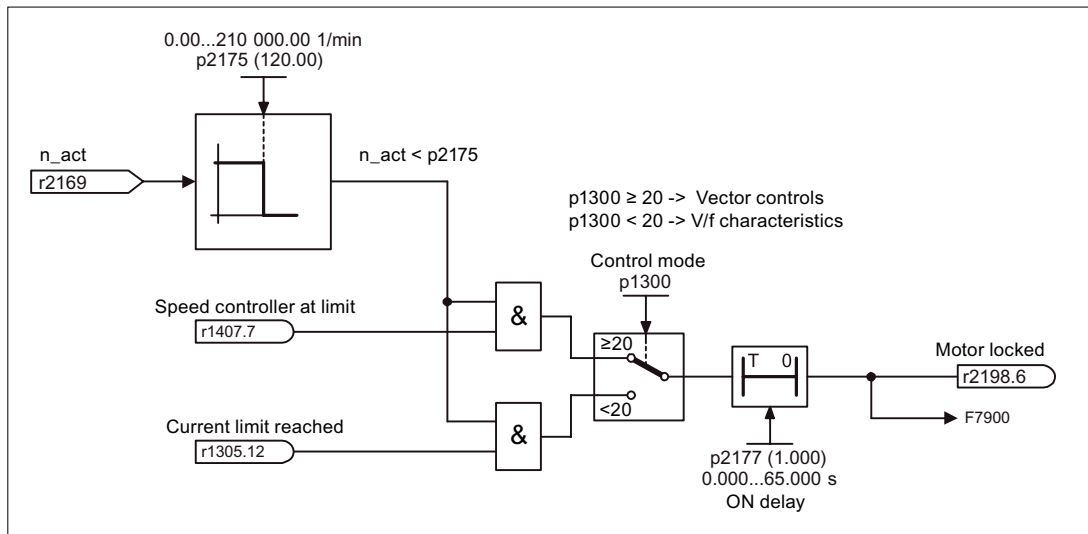


Figure 8-1 Block protection

Function diagrams (see SINAMICS S120/S150 List Manual)

- 8012 Torque messages, motor blocked/stalled

Overview of important parameters (see SINAMICS S120/S150 List Manual)

- p2175 Motor blocked speed threshold
- p2177 Motor blocked delay time

8.4 Stall protection (only for vector control)

Description

If, for closed-loop speed control with encoder, the speed threshold set in p1744 for stall detection is exceeded, then r1408.11 (speed adaptation, speed deviation) is set.

If, in the low speed range (less than p1755 * p1756), the fault threshold value, set in p1745 is exceeded, then r1408.12 is set (motor stalled).

If one of the two signals is set, then after the delay time in p2178, fault F7902 (motor stalled) is output.

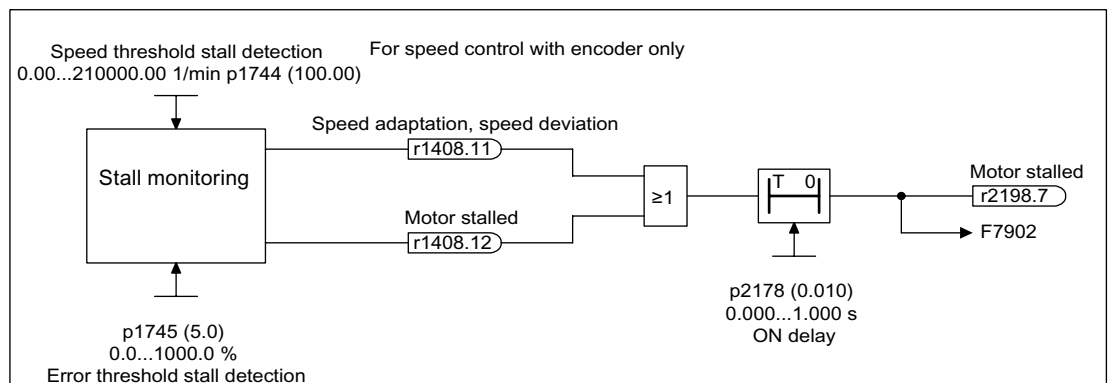


Figure 8-2 Stall protection

Function diagrams (see SINAMICS S120/S150 List Manual)

- 6730 Current control
- 8012 Torque messages, motor blocked/stalled

Overview of important parameters (see SINAMICS S120/S150 List Manual)

- r1408 CO/BO: Control status word 3
- p1744 Motor model speed threshold stall detection
- p1745 Motor model fault threshold value stall detection
- p1755 Motor model without encoder, changeover speed
- p1756 Motor model changeover speed hysteresis
- p2178 Motor stalled delay time

8.5 Thermal motor monitoring

8.5.1 Thermal motor monitoring

Description

The purposes of thermal motor monitoring is to protect the motor against permanent overload and excessive temperature.

The following steps are taken to achieve this:

- Pre-alarm by the thermal model
- Pre-alarm by sensors
- Shutdown by the thermal model
- Shutdown by sensors
- Display of estimated temperature

For **synchronous motors** with the following key factor:

- single-phase loading
- starting when cold
- starting when warm

...the I²t motor model is used as a thermal model as of software version V2.6.

See also function diagram 8017 "Thermal I²t motor model".

For **induction motors**, the 3-mass model is used to protect the motor against overloading in both vector and servo control.

See also function diagram 8016 "Thermal motor monitoring".

Thermal motor models are not available for:

- 1FNx linear motors (variation in cooling method which affects the thermal model)
- 1FW6 torque motors (built-in motors)

Temperature measurement via KTY

The device is connected to terminals X522:7 (anode) and X522:8 (cathode) at the customer terminal block (TM31) in the diode conducting direction. The measured temperature is limited to between -48 °C and +248°C and is made available for further evaluation.

- Set the KTY temperature sensor type: p0601 = 2
- Activate motor temperature measurement via the external sensor: p0600 = 10

- When the alarm threshold is reached (set via p0604; factory setting: 120°C), alarm A7910 is triggered.
Parameter p0610 can be used to set how the drive responds to the alarm triggered:
 - 0: No response, alarm only, no reduction of I_max
 - 1: Alarm and reduction of I_max and fault (F07011)
 - 2: Alarm and fault (F07011), no reduction of I_max
- When the fault threshold is reached (set via p0605), fault F07011 is triggered in conjunction with the setting in p0610.

Temperature measurement via PTC

The sensor is connected to terminal X522:7/8 on the terminal block (TM31). The threshold for switching to an alarm or fault is 1650 Ω. If the threshold is exceeded, the system switches internally from an artificially generated temperature value of -50 °C to +250°C and makes it available for further evaluation.

- Set the PTC temperature sensor type: p0601 = 1
- Activate motor temperature measurement via the external sensor: p0600 = 10
- Alarm A07910 is triggered once the PTC responds.
- Fault F07011 is triggered once the waiting time defined in p0606 has elapsed.

Sensor monitoring for wire breakage/short-circuit

If the temperature of the motor temperature monitor is outside the range -50 °C to +250°C, the sensor cable is broken or has short-circuited. Alarm A07015 ("Alarm: temperature sensor fault") is triggered. Fault F07016 ("Fault: temperature sensor fault") is triggered once the waiting time defined in p0607 has elapsed.

Fault F07016 can be suppressed by p0607 = 0. If an induction motor is connected, the drive continues operating with the data calculated in the thermal motor model.

If the system detects that the motor temperature sensor set in p0600 is not connected, alarm A07820 "Temperature sensor not connected" is triggered.

Thermal motor monitoring with the I²t motor model for synchronous motors (p0300 = 2xx, p0301 = 2xxxx)

Activation

Thermal I²t motor monitoring is activated by setting p0612.0=1. This is possible only if the thermal winding time constant of the motor has been entered in p0611. When an MDS is switched over, note the entry for the motor number in P0826.

Function

When the I²t motor model is active, the current motor load can be read via r0034.

Normalization r0034:

0 % corresponds to 40°C

100% corresponds to p0605[M] (motor overtemperature fault threshold)

Formula: $r0034 = (\vartheta_{\text{model}} - 40^{\circ}\text{C} / p605 - 40^{\circ}\text{C}) * 100 \%$

A thermal motor load of 100% corresponds to the temperature of the winding at static torque (M_0) and at the maximum permissible ambient temperature.

A value of $r0034 = -200\%$ indicates an invalid display because, for example, the I²t motor model has not been activated or was parameterized incorrectly.

Evaluation

If the thermal load on the motor exceeds the value $r0034 = 100\%$, alarm A07012 "Drive: Motor overtemperature thermal model" is generated. If the thermal motor load exceeds $r0034 = (p0615 - 40^{\circ}\text{C} / p0605 - 40^{\circ}\text{C}) * 100\%$, fault F07011 "Drive: Motor overtemperature" is generated and the drive is shut down.

Operating mode

If a motor temperature sensor is used ($p0600 > 0$, $p0601 = 2, 3$ and when $p0601 = 10$, $p4600 \dots p4603 = 20$), the I²t model is steadily adjusted to the sensor temperature. In dynamic operations, the I²t model can respond more quickly due to the measuring time constant of the sensor, thereby protecting the motor against rapid thermal overload.

The adjustable parameters ($p0611$, $p0615$) required for the thermal I²t motor model are read directly (in the case of motors with DRIVE-CLiQ) or taken from the internal database.

Note

If the database or SMI does not contain the relevant parameter, the model is disabled automatically with setting $p0611 = 0$.

Winding time constants are provided in the motor database only with FW version V2.6 and higher.

a) Operation with temperature sensor

In addition to thermal response modeling based on the winding time constant, the model is steadily adjusted to the measured motor temperature ($r0035$). This means that the model is capable of compensating for fluctuations in ambient temperature or inaccuracies in the simplified model.

The output temperature of the thermal I²t model is preset to the measured sensor temperature $r0035$ when the drive is switched on (POWER ON).

b) Operation without temperature sensor

The I²t model emulates the motor temperature rise via the winding time constant. Depending on the cooling method (self-/forced-ventilated) of the motor, different winding time constants must be applied.

The output temperature of the thermal I²t model is preset to 100% when the drive is switched on (POWER ON), on exit from commissioning mode ($p0009$, $p0010$) and when the motor data set is switched over. This ensures that the I²t model can, on average, reach the (unknown) actual motor temperature more quickly, which helps protect the motor more effectively.

Parameter $p0625$ is used as a basic value for the model because the ambient temperature is not known.

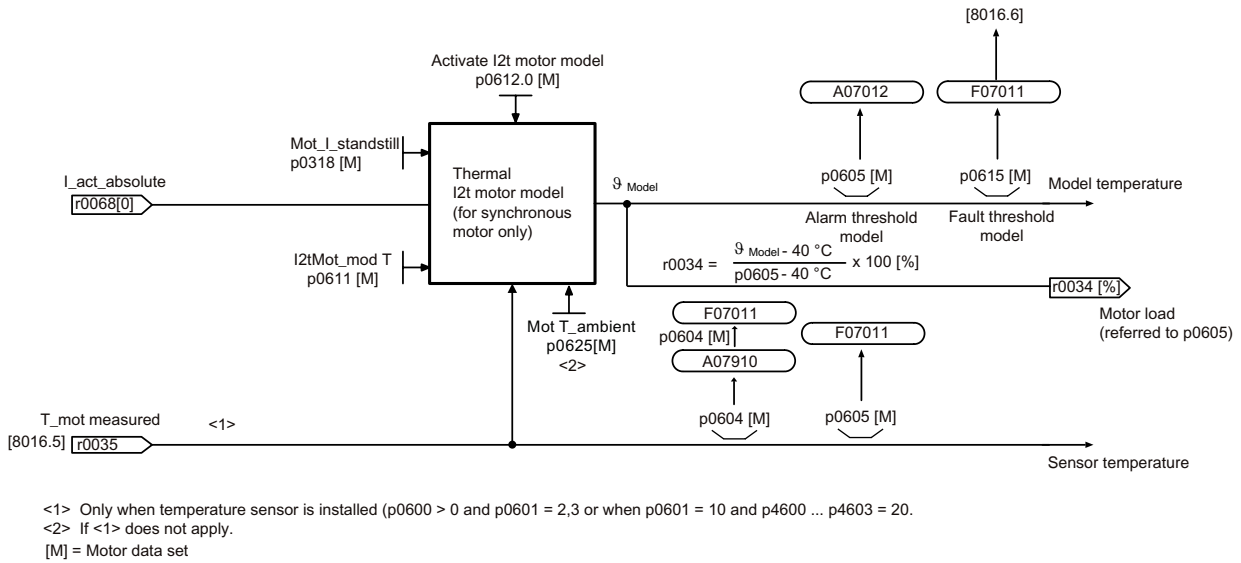


Figure 8-3 Thermal motor monitoring synchronous motor

Thermal model parameters

- r0034 "Current motor load with active I2t motor model"**
 Relation between I²t motor model temperature and reference value p0605 (motor overtemperature fault threshold)
- p0611[0...n] "Winding time constant"**
 Default: 0
 Value range: 0 - 20000 s
 The value is preset from the motor database or the SMI during commissioning. The entry is linked to the motor code number. It can also be specified for non-Siemens motors which require thermal model support. The parameter is motor-specific.
- p0615[0...n] "Trip limit motor overtemperature thermal model"**
 Default: 180 °C
 Value range: 0 °C to 220 °C
 The parameter is stored in the motor database. It is read from the motor data set or the SMI during commissioning. Its setting is linked to the motor code number.
 Note about SMI:
 If the trip threshold is not contained in the SMI, a default value of p0615 = 180 °C is applied.

Thermal motor monitoring with the 3-mass model for induction motors (p0300 = 1xx, p0301 = 1xxxx)

The 3-mass model is used to protect induction motors against overload in vector or servo control, whereby the temperatures of different motor components (stators, cores, rotors) can be determined indirectly. See also function diagram 8016 "Thermal motor monitoring".

Activation

The thermal 3-mass model is activated by setting p0612.1=1.

Note

If alarm thresholds of thermal motor monitoring systems are exceeded, the user can set parameterizable response options (p0610) that enable continued operation (e.g. with reduced power) and prevent immediate shutdown.

Thermal motor monitoring on third-party motors

Thermal monitoring for third-party motors is only supported with KTY/PTC temperature sensors. The adjustable parameters (p0611, p0615) required for the thermal I²t motor model must be taken from the technical specifications supplied the motor and adjusted accordingly.

Function diagrams (see SINAMICS S120/S150 List Manual)

- 8017 Thermal I²t motor model
- 9576 Temperature evaluation KTY/PTC
- 9577 Sensor monitoring KTY/PTC

Overview of important parameters (see SINAMICS S120/S150 List Manual)

- p0600[0...n] Motor temperature sensor for monitoring
- p0601[0...n] Motor temperature sensor type
- p0604[0...n] Motor overtemperature alarm threshold
- p0605[0...n] Motor overtemperature fault threshold
- p0606[0...n] Motor overtemperature timer stage
- p0607[0...n] Temperature sensor fault timer stage
- p0610[0...n] Motor overtemperature reaction to upper temperature limit
- p0611[0...n] Winding time constant
- p0615 Trip limit motor overtemperature thermal model
- p0616[0...n] Motor overtemperature alarm threshold 1

Safety Integrated basic functions

9.1 General information

Note

This manual describes the Safety Integrated Basic Functions.

The Safety Integrated Extended Functions are described in the following documentation:

References: /FHS/ SINAMICS S120 Function Manual Safety Integrated.

9.1.1 Explanations, standards, and terminology

Safety Integrated

The "Safety Integrated" functions enable the implementation of highly effective application-oriented functions for man and machine protection. This innovative safety technology offers the following benefits:

- Increased safety
- More economic operation
- Greater flexibility
- Higher level of plant availability

Standards and Directives

Various standards and guidelines for safety technology must be observed. Guidelines are binding for both the manufacturer and operator of machines.

Standards generally reflect the state of the art and act as a basis for implementing safety concepts. Unlike directives, however, they are not binding.

Below is a list of standards and guidelines for safety technology.

- EC 98/37/EG machinery directive
This guideline defines basic protection measures for safety technology.
- EN 292-1
Basic terminology and general design principles.
- EN 954-1/ ISO 13849-1
Safety-related parts of control systems
- EN 1050
Risk assessment

- EN 60204-1:2006
Safety of machinery - Electrical equipment of machines - Part 1: Electrical equipment of machinery - General requirements
- IEC 61508
Functional reliability of electrical and electronic systems
This standard defines "safety integrity levels" (SIL), which not only describe a certain degree of integrity with regard to safety-oriented software but also defined, quantitative error probability ranges with regard to the hardware.
- IEC 61800-5-2
Adjustable-speed electrical power drive systems
Part 5-2: Safety requirements - Functional

Note

In conjunction with certified components, the safety functions of the SINAMICS S120 drive system fulfill the following requirements:

- Category 3 to EN 954-1/ ISO 13849-1.
- Safety integrity level 2 (SIL 2) to IEC 61508.

In addition, the SINAMICS S120 safety functions are normally certified by independent institutions. A list of currently certified components is available on request from your local Siemens office.

Note

When operated in proper condition and in dry operating areas, SINAMICS devices with three-phase motors conform to Low-Voltage Directive 73/23/EEC.

Two-channel monitoring structure

All the main hardware and software functions for Safety Integrated are implemented in two independent monitoring channels (e.g. switch-off signal paths, data management, data comparison).

The two drive monitoring channels are implemented using the following components:

- Control Unit
- The Motor Module/Power Module belonging to a drive.

The monitoring functions in each monitoring channel work on the principle that a defined status must prevail before each action is carried out and a specific acknowledgement must be made after each action.

If these expectations of a monitoring channel are not fulfilled, the drive coasts to a standstill (two-channel) and an appropriate message is output.

Switch-off signal paths

Two independent switch-off signal paths are available. All switch-off signal paths are low active, thereby ensuring that the system is always switched to a safe state if a component fails or in the event of an open circuit.

If a fault is discovered in the switch-off signal paths, the "Safe Torque Off" function is activated and a system restart inhibited.

Monitoring cycle

The safety-relevant drive functions are executed cyclically in the monitoring clock cycle.

The safety monitoring clock cycle lasts a minimum of 4 ms. Increasing the basic DRIVE-CLiQ sampling time (r0110) also increases the safety monitoring clock cycle.

Data cross-check

A cyclic cross-check of the safety-related data in the two monitoring channels is carried out.

If any data are inconsistent, a stop response is triggered with any Safety function.

Overview of parameters (see SINAMICS S120/S150 List Manual)

- r9780 SI monitoring clock cycle (Control Unit)
- r9880 SI monitoring clock cycle (Motor Module)

Comparison of function names

Table 9- 1 Comparison of safety function names old <-> new

old		new according to IEC 61800-5-2	
Abbreviation	Name	New abbreviation	New name
SH	Safe standstill	STO	Safe Torque Off
SGA	Safety-related output	F-DO	Failsafe Digital Output
SGE	Safety-related input	F-DI	Failsafe Digital Input

9.1.2 Supported functions

The functions mentioned here comply with IEC 61508, performance level d (PL d) to ISO 13849-1 (formerly EN 954-1), and IEC 61800-5-2.

The following Safety Integrated (SI) functions are available:

- Safety Integrated Basic Functions

These functions are part of the standard scope of the drive.

- Safe Torque Off (STO)

STO is a safety function that prevents the drive from restarting unexpectedly, in accordance with EN 60204-1:2006 Section 5.4.

- Safe Stop 1 (SS1, time controlled)

Safe Stop 1 is based on the "Safe Torque Off" function. This means that a Category 1 stop in accordance with EN 60204-1:2006 can be implemented.

- Safe Brake Control (SBC)

The SBC function permits the safe control of a holding brake.

SBC is supported only by Power/Motor Modules in chassis format with order number ...3 or higher. Blocksize Power Modules also require a Safe Brake Relay for this function.

- Safety Integrated Extended Functions (including the Basic Functions)

Note

When a drive object for which Safety Integrated Extended Functions are enabled is switched to "Park" mode, the Safety Integrated software responds by selecting STO without generating a separate message.

- Safe Stop 1 (SS1, time and acceleration controlled)

The SS1 function is based on the "Safe Torque Off" function. This means that a Category 1 stop in accordance with EN 60204-1:2006 can be implemented.

- Safe Stop 2 (SS2)

The SS2 function brakes the motor safely with a subsequent transition to "Safe Operating Stop" (SOS).

- Safe Operating Stop (SOS)

"Safe Operating Stop" (SOS) protects against unintentional movements. The drive is in closed-loop control mode and is not disconnected from the power supply.

- Safely Limited Speed (SLS)

The "Safely Limited Speed" (SLS) protects against excessively high drive speeds.

- Safe Speed Monitor (SSM)

The SSM function reliably monitors the speed limit and issues a safe output signal, but without a response function.

Prerequisites for the Extended Functions

- Special license for Extended Functions

Unlike the Basic Functions, a special license is required for Safety Integrated Extended Functions. The associated license key is entered in parameter p9920 in ASCII code. The license key can be activated via parameter p9921=1. For information on how to generate the license key for the product "SINAMICS Safety Integrated Extended Functions", read the section "Licensing" in the SINAMICS S120 Function Manual. An insufficient license is indicated via the following alarm and LED:

- A13000 --> License not sufficient
- LED READY --> Flashes green/red at 0.5 Hz
- Activation via PROFIsafe or TM54F

NOTICE

Per single Control Unit, either control via PROFIsafe or TM54F is permitted. Mixed operation is not permitted.

- SINAMICS S120: As of firmware version 2.5 SP1
- SIMOTION D 410 SP2 (available soon)
- SIMOTION D4x5:
 - when controlled by TM54F:
As of firmware version 4.1 SP1 (as of SINAMICS S120 integrated with firmware version 2.5 SP1)
 - when controlled by PROFIsafe:
As of firmware version 4.1 SP1 HF6 (as of SINAMICS S120 integrated with firmware version 2.5 SP1 HF5)
- Safe actual value acquisition (see chapter "Safe actual value acquisition")
- An activated speed controller in the drive
- Overview of hardware components that support the Extended Functions:
 - Control Unit CU310 with order no.: 6SL3040-0LA00-0AA1/6SL3040-0LA01-0AA1
 - Control Unit CU320 with order no.: 6SL3040-...-0AA1 and version C
 - D410 DP with order no.: 6AU1 410-0AA00-0AA0 release C
D410 PN with order no.: 6AU1 410-0AB00-0AA0 release C
 - D425 with order no.: 6AU1 425-0AA00-0AA0 HW release D
D435 with order no.: 6AU1 435-0AA00-0AA1 HW release D
D445 with order no.: 6AU1 445-0AA00-0AA0 HW release B
 - CX32 (without restrictions)
 - Motor Modules booksize with order no.: ...3 or higher
 - Motor Modules booksize compact
 - Power Modules blocksize
 - Control Unit adapter CUA31 with order no.: 6SL3040-0PA00-0AA1
 - Control Unit adapter CUA32 with order no.: 6SL3040-0PA01-0AA0
 - Sensor Module SMC20, SME20/25/120/125
 - Motors with DRIVE-CLiQ interface (not with resolver encoder)

9.1.3 Parameter, Checksum, Version, Password

Properties of Safety Integrated parameters

The following applies to Safety Integrated parameters:

- They are kept separate for each monitoring channel.
- During startup, checksum calculations (Cyclic Redundancy Check, CRC) are performed on the safety parameter data and checked. The display parameters are not contained in the CRC.
- Data storage: The parameters are stored on the non-volatile memory card.
- Factory settings for safety parameters

A reset of the safety parameters to the factory setting on a drive-specific basis using p0970 or p3900 and p0010 = 30 is only possible when the safety functions are not enabled (p9301 = p9501 = p9601 = p9801 = p10010 = 0).

A complete reset of all parameters to the factory settings (p0976 = 1 and p0009 = 30 on the Control Unit) is possible even when the safety functions are enabled (p9301 = p9501 = p9601 = p9801 = p10010 ≠ 0).

- They are password-protected against accidental or unauthorized changes.

NOTICE

The following safety parameters are not protected by the safety password:

- p9370 SI Motion acceptance test mode (Motor Module)
- p9570 SI Motion acceptance test mode (Control Unit)
- p9533 SI Motion SLS Setpoint speed limitation
- p9705 BI: SI Motion Test stop signal source

Checking the checksum

For each monitoring channel, the safety parameters include one parameter for the actual checksum for the safety parameters that have undergone a checksum check.

During commissioning, the actual checksum must be transferred to the corresponding parameter for the specified checksum. This can be done for all checksums of a drive object at the same time with parameter p9701.

Basic functions

- r9798 SI actual checksum SI parameters (Control Unit)
- p9799 SI reference checksum SI parameters (Control Unit)
- r9898 SI actual checksum SI parameters (Motor Module)
- p9899 SI reference checksum SI parameters (Motor Module)

Extended Functions

- r9398[0...1] SI Motion actual checksum SI parameters (Motor Module)
- r9399[0...1] SI Motion specified checksum SI parameters (Motor Module)

- r9728[0...2] SI Motion actual checksum SI parameters
- p9729[0...2] SI Motion specified checksum SI parameters

During each ramp-up procedure, the actual checksum is calculated via the safety parameters and then compared with the specified checksum.

If the actual and specified checksums are different, fault F01650/F30650 or F01680/F30680 is output and an acceptance test requested.

Safety Integrated versions

The safety firmware has a separate version ID for the Control Unit and Motor Module.

For the Basic Functions:

- r9770 SI version, drive-autonomous safety functions (Control Unit)
- r9870 SI version (Motor Module)

For the Extended Functions:

- r9590 SI Motion Version safe movement monitoring (Control Unit)
- r9390 SI Motion Version safe movement monitoring (Motor Module)
- r9890 SI version (Sensor Module)
- r10090 SI Version TM54F

NOTICE
With safe motion monitoring, EDS changeover not possible. (See "EDS")

Note

For detailed requirements regarding Safety Integrated firmware, see "Safety Integrated firmware versions".

Password

The safety password protects the safety parameters against unintentional or unauthorized access.

In commissioning mode for Safety Integrated (p0010 = 95), you cannot change safety parameters until you have entered the valid safety password in p9761 for the drives or p10061 for the TM54F.

- When Safety Integrated is commissioned for the first time, the following applies:
 - Safety passwords = 0
 - Default setting for p10061 = 0
 - Default setting for p9761 = 0
- In other words:
The safety password does not need to be set during first commissioning.
- In the case of a series commissioning of Safety or in the case of spare part installation, the following applies:
 - The safety password is retained on the memory card and in the STARTER project.
 - No safety password is required in the case of spare part installation.
- Change password for the drives
 - p0010 = 95 Commissioning mode
 - p9761 = Enter "old safety password".
 - p9762 = Enter "new password".
 - p9763 = Confirm "new password".
 - The new and confirmed safety password is valid immediately.
- Change password for the TM54F
 - p0010 = 95 Commissioning mode
 - p10061 = Enter "Old TM54F Safety Password" (factory setting "0")
 - p10062 = Enter "new password"
 - p10063 = Acknowledge "new password"
 - The new and acknowledged safety password is valid immediately.

If you need to change safety parameters but you do not know the safety password, proceed as follows:

1. Set the entire drive unit (Control Unit with all connected drives/components) to the factory setting.
2. Recommission the drive unit and drives.
3. Recommission Safety Integrated.

Or contact your regional Siemens office and ask for the password to be deleted (complete drive project must be made available).

Overview of important parameters for "Password" (see SINAMICS S120/S150 List Manual)

- p9761 SI password input
- p9762 SI password new
- p9763 SI password acknowledgement
- p10061 SI password input TM54F
- p10062 SI password new TM54F
- p10063 SI password acknowledgement TM54F

9.1.4 Forced checking procedure

Forced dormant error detection or test for the switch-off signal paths

The forced dormant error detection function at the switch-off signal paths is used to detect software/hardware faults at both monitoring channels in time and is automated by means of activation/deactivation of the "Safe Torque Off" function.

To fulfill the requirements of EN 954-1 / ISO 13849-1 regarding timely error detection, the two switch-off signal paths must be tested at least once within a defined time to ensure that they are functioning properly. This functionality must be implemented by means of forced dormant error detection function, triggered either in manual mode or by the automated process.

A timer ensures that forced dormant error detection is carried out as quickly as possible.

- p9659 SI timer for the forced dormant error detection.

Forced dormant error detection must be carried out at least once during the time set in this parameter.

Once this time has elapsed, an alarm is output and remains present until forced dormant error detection is carried out.

The timer returns to the set value each time the STO function is deactivated.

When the appropriate safety devices are implemented (e.g. protective doors), it can be assumed that running machinery will not pose any risk to personnel. For this reason, only an alarm is output to inform the user that a forced dormant error detection run is due and to request that this be carried out at the next available opportunity. This alarm does not affect machine operation.

The user must set the time interval for carrying out forced dormant error detection to between 0.00 and 9000.00 hours depending on the application (factory setting: 8.00 hours).

Examples of when to carry out forced dormant error detection:

- When the drives are at a standstill after the system has been switched on.
- When the protective door is opened.
- At defined intervals (e.g. every 8 hours).
- In automatic mode (time and event dependent)

NOTICE

The timer of the Basic Functions will be reset if the associated forced dormant error detection is executed and the Extended Functions are used simultaneously. The corresponding alarm of the Basic Functions is not triggered.

Discrepancy is not checked at the terminals used to select the Basic Functions as long as STO is set by the Extended Functions. That is, the forced checking procedure of the Basic Functions always has to be executed without simultaneous selection of STO or SS1 by the Extended Functions. It is otherwise not possible to verify the correct control through the terminals.

9.2 Safety instructions

Safety instructions

 **WARNING**

After hardware and/or software components have been modified or replaced, it is only permissible for the system to run up and the drives to be activated with the protective devices closed. Personnel may not be in the hazardous area.

Depending on the change made or what has been replaced, it may be necessary to carry out a partial or complete acceptance test (see chapter "Acceptance test").

Before persons may re-enter the hazardous area, the drives should be tested to ensure that they exhibit stable control behavior by briefly moving them in both the plus and minus directions (+/-).

Please note the following during switch-on:

The safety-related functions are only available and can be activated after the system has completely started up.

 **WARNING**

The Category 0 stop function according to EN 60204-1 (defined as STO in Safety Integrated) means that the drives are not braked to zero speed, but coast to a stop (this may take some time depending on the level of kinetic energy involved). This must be included in the protective door locking mechanism logic e.g. with the logic operation SSM ($n < n_x$).

 **WARNING**

Safety Integrated is not capable of detecting parameterization errors made by the machine manufacturer. The required level of safety can only be assured by careful acceptance testing.

 **WARNING**

The automatic firmware update via p7826 = 1 (upgrade and downgrade), which is available from version V2.5, must not be deactivated when Safety Integrated is used.

 **CAUTION**

If two power transistors in the power unit (one in the upper and one offset in the lower inverter bridge) fail at the same time, this can cause a momentary movement.

The maximum movement can be:

Synchronous rotary motors: Max. movement = 180° / pole pair count

Synchronous linear motors: Max. movement = pole width

 **CAUTION**

The "automatic restart" function may not be used together with the safety functions STO/SBC and SS1. The reason for this is that EN 60204 Part 1 (1998) in chapter 9.2.5.4.2 does not permit this (merely de-selecting a safety shutdown function must not cause the machine to restart).

NOTICE

Components cannot be deactivated via p0105, for example, with activated Safety functions.

9.3 Safe Torque Off (STO)

General description

In conjunction with a machine function or in the event of a fault, the "Safe Torque Off" (STO) function is used to safely disconnect the torque-generating motor power supply.

When the function is selected, the drive unit is in a "safe status". The switching on inhibited function prevents the drive unit from being restarted.

The two-channel pulse inhibit integrated in the Motor Modules / Power Modules is a basis for this function.

Functional features of "Safe Torque Off"

- This function is integrated in the drive; this means that a higher-level controller is not required.
- The function is drive specific, that is, it must be commissioned individually on a drive-by-drive basis.
- The function must be enabled via parameter.
- When the "Safe Torque Off" function is selected:
 - The motor cannot be started accidentally.
 - The pulse suppression safely disconnects the torque-generating motor power supply.
 - The power unit and motor are not electrically isolated.

 WARNING
--

Appropriate measures must be taken to ensure that the motor does not move once the motor power supply has been disconnected ("coast down") (e.g. enable the "Safe Brake Control" function with a vertical axis).
--

 CAUTION
--

If two power transistors in the power unit (one in the upper and one offset in the lower inverter bridge) fail at the same time, this can cause a momentary movement.

The maximum movement can be:

Synchronous rotary motors: Max. movement = $180^\circ / \text{no. of pole pairs}$

Synchronous linear motors: Max. movement = pole width

- The status of the "Safe Torque Off" function is displayed using parameters.

Enabling the "Safe Torque Off" (STO) function

NOTICE

It is not possible to activate the function via TM54F and PROFIsafe at the same time. It is however possible to use the onboard terminals (Control Unit and power units, see section "Control via terminals on the Control Unit and the power unit") and the terminals on the TM54F and the PROFIsafe control function at the same time.
--

The "Safe Torque Off" function is enabled via the following parameters:

- STO via terminals:
 - p9601.0 = 1, p9801.0 = 1
- STO via TM54F (only with "Extended Functions" option):
 - p9601.2 = 1, p9801.2 = 1
 - p9601.3 = 0, p9801.3 = 0
- STO via PROFIsafe (only with "Extended Functions" option):
 - p9601.2 = 1, p9801.2 = 1
 - p9601.3 = 1, p9801.3 = 1

Selecting/deselecting "Safe Torque Off"

The following occurs when "Safe Torque Off" is selected:

- Each monitoring channel triggers safe pulse suppression via its switch-off signal path.
- A motor holding brake is applied (if connected and configured).

The following occurs when "Safe Torque Off" is de-selected:

- Each monitoring channel cancels safe pulse suppression via its switch-off signal path.
- The safety prompt "Apply motor holding brake" is canceled.
- Any pending STOP F or STOP A commands are canceled (see r9772/r9872).

Note

If "Safe Torque Off" is de-selected and selected again through one channel within the time in p9650/p9850, the pulses are canceled but a signal is not output.

If you want a message to be displayed in this case, however, you have to reconfigure N01620/N30620 via p2118 and p2119 as an alarm or fault.

Restart after the "Safe Torque Off" function has been selected

1. Deselect the function in each monitoring channel via the input terminals.
2. Issue drive enable signals.

3. Cancel the "switching on inhibited" and switch the drive back on.
 - 1/0 edge at input signal "ON/OFF1" (cancel "switching on inhibited")
 - 0/1 edge at input signal "ON/OFF1" (switch on drive)
4. Run the drives again.

Status for "Safe Torque Off"

The status of the "Safe Torque Off" (STO) function is displayed using the following parameters:

Overview of important parameters (see SINAMICS S120/S150 List Manual)

- r9772 CO/BO: SI status (Control Unit)
- r9872 CO/BO: SI status (Motor Module)
- r9773 CO/BO: SI status (Control Unit + Motor Module)
- r9774 CO/BO: SI status (STO group)

As an alternative, the status of the functions can be displayed using the configurable messages N01620 and N30620 (configured using p2118 and p2119).

Response time with the "Safe Torque Off" function

For the response times when the function is selected/deselected via input terminals, see the table in "Response times".

Examples: Booksize

Assumption:

Safety monitoring clock cycle time CU (r9780) = 4 ms and
inputs/outputs sampling time (r0799) = 4 ms

$$t_{R_typ} = 2 \times r9780 (4 \text{ ms}) + r0799 (4 \text{ ms}) = 12 \text{ ms}$$

$$t_{R_max} = 4 \times r9780 (4 \text{ ms}) + r0799 (4 \text{ ms}) = 20 \text{ ms}$$

Overview of important parameters (see SINAMICS S120/S150 List Manual)

- p0799 CU inputs/outputs sampling time
- r9780 SI monitoring clock cycle (Control Unit)
- r9880 SI monitoring clock cycle (Motor Module)

Internal armature short-circuit with the "Safe Torque Off" function

The "Internal armature short-circuit" function cannot be selected at the same time as the "STO" function. This is because selection of STO always initiates an OFF2 which in turn deactivates the "Internal armature short-circuit" function. The STO safety function has a higher priority than the "Internal armature short-circuit" function, i.e. if STO is activated, it will deactivate an internal armature short-circuit if one is currently active.

9.4 Safe Stop 1 (SS1, time controlled)

General description

A Category 1 stop in accordance with EN 60204-1:2006 can be implemented with function "Safe Stop 1". The drive decelerates with the OFF3 ramp (p1135) once "Safe Stop 1" is selected and switches to "Safe Torque Off" once the delay time set in p9652/p9852 has elapsed.

CAUTION

Once the SS1 (time-controlled) function has been selected by parameterizing a delay in p9652/p9852, STO can no longer be selected directly via terminals.

Functional features of "Safe Stop 1"

SS1 is selected by setting p9652 and p9852 (delay time) not equal to "0"

- The function can be selected only in conjunction with "Safe Torque Off".
- When SS1 is selected, the drive is braked along the OFF3 ramp (p1135) and STO/SBC is automatically initiated after the delay time has expired (p9652/p9852).

After the function has been selected, the delay timer runs down - even if the function is deselected during this time. In this case, after the delay time has expired, the STO/SBC function is selected and then again de-selected immediately.

- The selection is realized through two channels - however braking along the OFF3 ramp, only through one channel.

Release of the SS1 function

The function is enabled by entering the delay time in p9652 and p9852.

Prerequisite

The "Safe Torque Off" function must be enabled.

In order that the drive can brake down to a standstill even when selected through one channel, the time in p9652/p9852 must be shorter than the sum of the parameters for the data cross-check (p9650/p9850 and p9658/p9858).

The time in p9652/9852 must be dimensioned so that after selection, the drive brakes down to a standstill.

Status for "Safe Stop 1"

The status of the "Safe Stop 1" function is displayed using the following parameters:

- r9772 CO/BO: SI status (Control Unit)
- r9773 CO/BO: SI status (Control Unit + Motor Module)

- r9774 CO/BO: SI status (STO group)
- r9872 CO/BO: SI status (Motor Module)

Alternatively, the status of the functions can be displayed using the configurable messages N01621 and N30621 (configured using p2118 and p2119).

Overview of important parameters (see SINAMICS S120/S150 List Manual)

- see "Safe Torque Off" function
- p1135[0...n] OFF3 ramp-down time
- p9652 SI Safe Stop 1 delay time (Control Unit)
- p9852 SI Safe Stop 1 delay time (Motor Module)

9.5 Safe Brake Control (SBC)

Description

Safe brake control is used to activate holding brakes that function according to the standby current principle (e.g. motor holding brake).

The command for releasing or applying the brake is transmitted to the Motor Module/Power Module via DRIVE-CLiQ. The Motor Module/Safe Brake Relay then carries out the action and activates the outputs for the brake.

Brake activation via the brake connection on the Motor Module/Safe Brake Relay involves a safe, two-channel method.

Note

Chassis components do not support this function.

Note

To ensure that this function can be used for Blocksize Power Modules, a Safe Brake Relay must be used (for more information, see the Equipment Manual).

When the Power Module is configured automatically, the Safe Brake Relay is detected and the motor holding brake type is defaulted (p1278 = 0).

 WARNING
--

The "Safe Brake Control" function does not detect electrical faults in the brake itself (e.g. short-circuit of brake winding) or mechanical defects (e.g. worn brakes).

If a cable breaks, this is only detected by the "Safe Brake Control" function when the status changes (i.e. when the brake is applied/released).

Functional features of "Safe Brake Control" (SBC)

- When "Safe Torque Off" is selected or when safety monitors are triggered, "SBC" is performed with safe pulse suppression.
- Unlike conventional brake control, SBC is executed via p1215 through two channels.
- SBC is executed regardless of the brake control or mode set in p1215. SBC is not recommended, however, when 1215 = 0 or 3.
- The function must be enabled via parameter.
- Each time "Safe Torque Off" is selected, the holding brake is applied immediately with forced dormant error detection.

Enabling the "Safe Brake Control (SBC)" function

The "Safe Brake Control" function is enabled via the following parameters:

- p9602 SI enable safe brake control (Control Unit)
- p9802 SI enable safe brake control (Motor Module)

The "Safe Brake Control" function is not selected until at least one safety monitoring function has been enabled (i.e. p9601 = p9801 ≠ 0).

Two-channel brake control

The brake is controlled from the Control Unit. Two signal paths are available for applying the brake.

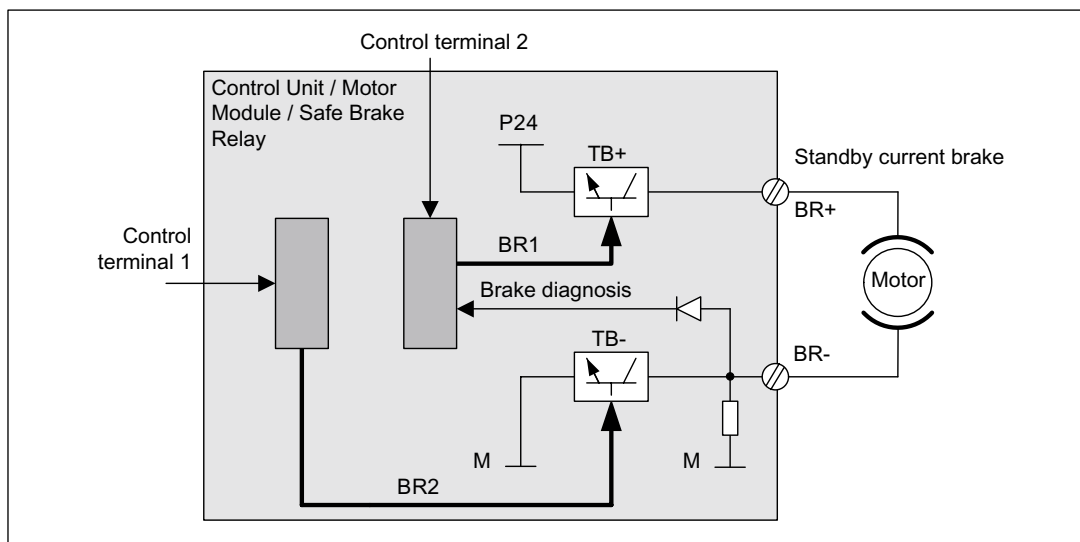


Figure 9-1 Two-channel brake control, booksize

The Motor Module carries out a check to ensure that the "Safe Brake Control" function is working properly and ensures that, if the Control Unit fails or is faulty, the brake current is interrupted and the brake applied.

The brake diagnosis can only reliably detect a malfunction in either of the switches (TB+, TB-) when the status changes (when the brake is released or applied).

If the Motor Module or Control Unit detects a fault, the brake current is switched off and the safe status is reached.

Response time with the "Safe Brake Control" function

For the response times when the function is selected/deselected via input terminals, see the table in "Response times".

Examples

Assumption:

Safety monitoring clock cycle time CU (r9780) = 4 ms and
 inputs/outputs sampling time (r0799) = 4 ms

$$t_{R_typ} = 4 \times r9780 (4 \text{ ms}) + r0799 (4 \text{ ms}) = 20 \text{ ms}$$

$$t_{R_max} = 8 \times r9780 (4 \text{ ms}) + r0799 (4 \text{ ms}) = 36 \text{ ms}$$

NOTICE

Activation of brake via a relay with Safe Brake Control:

If Safe Brake Control is used, the brake must not be activated via a relay. This can result in incorrect feedback regarding a brake fault.
--

Overview of important parameters (see SINAMICS S120/S150 List Manual)

- p0799 CU inputs/outputs sampling time
- r9780 SI monitoring clock cycle (Control Unit)
- r9880 SI monitoring clock cycle (Motor Module)

9.6 Response times

Control signals by way of terminals on the Control Unit and Motor Module.

Table 9- 2 Response times with control signals by way of terminals on the Control Unit and Motor Module.

Function	Standard	Worst case
STO	$2 \times r9780 + p0799$	$4 \times r9780 + p0799$
SBC	$4 \times r9780 + p0799$	$8 \times r9780 + p0799$
SS1 (time controlled) Call (until braking is initiated)	$2 \times r9780 + p0799 + 2 \text{ ms}$	$4 \times r9780 + p0799 + 2 \text{ ms}$

Control by way of PROFIsafe

Table 9- 3 Response times with control by way of PROFIsafe

Function	Standard	Worst case
STO	$4 \times p9500 + r9780$	$4 \times p9500 + 3 \times r9780$
SBC	$4 \times p9500 + 2 \times r9780$	$4 \times p9500 + 6 \times r9780$
SS1 (time and acceleration controlled), SS2 Call	$4 \times p9500 + 2 \text{ ms}$	$5 \times p9500 + 2 \text{ ms}$
Speed limit violated	$2 \times p9500 + 2 \text{ ms}$	$2.5 \times p9500 + r9780 + t_{DP}^{1)}$
SOS position tolerance violated	$1.5 \times p9500 + 2 \text{ ms}$	$3 \times p9500 + t_{DP}^{1)} + 2 \text{ ms}$
SLS speed limit violated ²⁾	$2 \times p9500 + 2 \text{ ms}$	$3.5 \times p9500 + t_{DP}^{1)} + 2 \text{ ms}$
SSM	$4 \times p9500$	$4.5 \times p9500 + t_{DP}^{1)}$

Control by way of TM54F

Table 9- 4 Response times with control by way of TM54F

Function	Standard	Worst case
STO	$2.5 \times p9500 + r9780 + 1.5 \text{ ms}$	$3 \times p9500 + 3 \times r9780 + 2 \text{ ms}$
SBC	$2.5 \times p9500 + 2 \times r9780 + 1 \text{ ms}$	$3 \times p9500 + 6 \times r9780 + 2 \text{ ms}$
SS1 (time and acceleration controlled), SS2 Call	$2.5 \times p9500 + 3 \text{ ms}$	$4 \times p9500 + 4 \text{ ms}$
Speed limit violated	$2 \times p9500 + 2 \text{ ms}$	$2.5 \times p9500 + r9780 + t_{DP}^{1)}$
SOS position tolerance violated	$1.5 \times p9500 + 2 \text{ ms}$	$3 \times p9500 + t_{DP}^{1)} + 2 \text{ ms}$
SLS speed limit violated ²⁾	$2 \times p9500 + 2 \text{ ms}$	$3.5 \times p9500 + t_{DP}^{1)} + 2 \text{ ms}$
SSM	$3 \times p9500$	$3.5 \times p9500 + t_{DP}^{1)}$

Information on the tables:

1) t_{DP} = PROFIBUS cycle with isochronous PROFIBUS master, otherwise 1 ms

2) SLS: Specification of the response time required for initiation of a braking reaction in the drive, or for the output of the "SOS selected" message to the motion control system.

9.7 Control signals by way of terminals on the Control Unit and Motor/Power Module

Features

- Only for the STO, SS1 (time-controlled) and SBC functions
- Dual-channel structure via two digital inputs (Control Unit/power unit)
- Input filter for test signals with a dark period of less than 1 ms
- Different terminal strips depending on design
- Automatic ANDing of up to 8 digital inputs (p9620[0...7]) on the Control Unit with parallel configuration of chassis type power units

Overview of the safety function terminals for SINAMICS S120

The different power unit formats of SINAMICS S120 have different terminal designations for the inputs of the safety functions. These are shown in the following table.

Table 9- 5 Inputs for safety functions

	1. Switch-off signal path (p9620[0])	2. Switch-off signal path
Control Unit CU320	X122.1...4 / X132.1...4 (on the CU320) digital input 0 to 7	(see Motor Modules / Power Modules)
CU310/D410	X121.1...4 (on the CU310/D410) digital inputs 0 to 3	(see Motor Modules / Power Modules)
D425/435/445	X122.1...4 / X132.1...4 (on D425/35/45) digital input 0 to 7	(see Motor Modules / Power Modules)
CX32	X122.0...3 (on CX32) digital input 0 to 3	(see Motor Modules / Power Modules)
Single Motor Module booksize/booksize compact	(see CU320)	X21.3 and X21.4 (on the Motor Module)
Single Motor Module chassis	(see CU320)	X41.1 and X41.2 (on the CIB*)
Double Motor Module booksize/booksize compact	(see CU320)	X21.3 and X21.4 (motor connection X1)/X22.3 and X22.4 (motor connection X2) (on the Motor Module)
Power Module blocksize with CUA31/CUA32	(see CU320)	X210.3 and X210.4 (on the CUA31/CUA32)
Power Module blocksize with CU310	X121.1...4 (on the CU310) digital input 0 to 3	X120.7 and X120.8 (on the CU310)
Power Module chassis with CU310	X121.1...4 (on the CU310) digital input 0 to 3	X41.1 and X41.2 (on the CIB*)
*CIB: Communication Interface Board For further information about terminals, see the Equipment Manuals.		

Terminals for STO, SS1 (time-controlled), SBC

The functions are separately selected/deselected for each drive using two terminals.

- 1. Switch-off signal path (CU310/CU320)

The desired input terminal is selected via BICO interconnection (BI: p9620[0]).

Note

In a project with parallel power units and an enabled safety function STO, the following occurs when firmware version 2.4 is converted to 2.5:

Parameters p9620[1] and p9620[2] are assigned the value "0" because firmware version 2.4 only contains parameter p9620[0]. Parameter p9620[0] contains the signal source for power unit 1 and p9620[1] the signal source for power unit 2. This means that the STO function for power unit 2 cannot be switched.

- 2. switch-off signal path (Motor Module/Power Module with CUA3x or CU310)

The input terminal is the "EP" ("Enable Pulses") terminal.

Both terminals must be operated simultaneously, otherwise a fault will be issued.

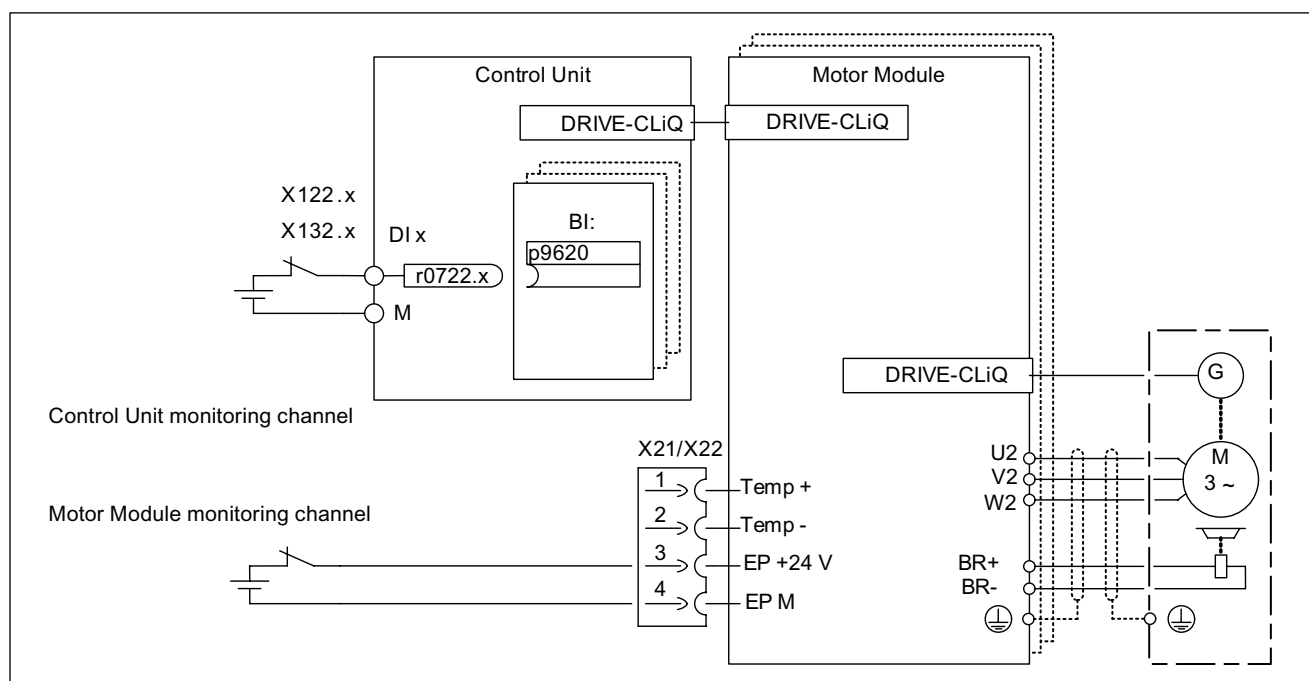


Figure 9-2 Terminals for "Safe Torque Off": example for Motor Modules Booksize and CU320

Grouping drives (not for CU310)

To ensure that the function works for more than one drive at the same time, the terminals for the corresponding drives must be grouped together as follows:

- 1. Switch-off signal path (CU320)

By connecting the binector input to the joint input terminal on the drives in one group.

- 2. switch-off signal path (Motor Module/Power Module with CUA3x)"

By appropriately wiring the terminals for the individual Motor Modules/Power Modules with CUA31/CUA32 assigned to the group.

Note

The grouping must be identical in both monitoring channels.

If a fault in a drive results in a "Safe Torque Off" (STO), this does not automatically mean that the other drives in the same group also switch to "Safe Torque Off" (STO).

The assignment is checked during the test for the switch-off signal paths, The operator selects "Safe Torque Off" for each group. The check is drive-specific.

Example: Terminal groups

It must be possible to select/deselect "Safe Torque Off" separately for group 1 (drive 1 and 2) and group 2 (drive 3 and 4).

For this purpose, the same grouping for "Safe Torque Off" must be performed on both the Control Unit and the Motor Modules.

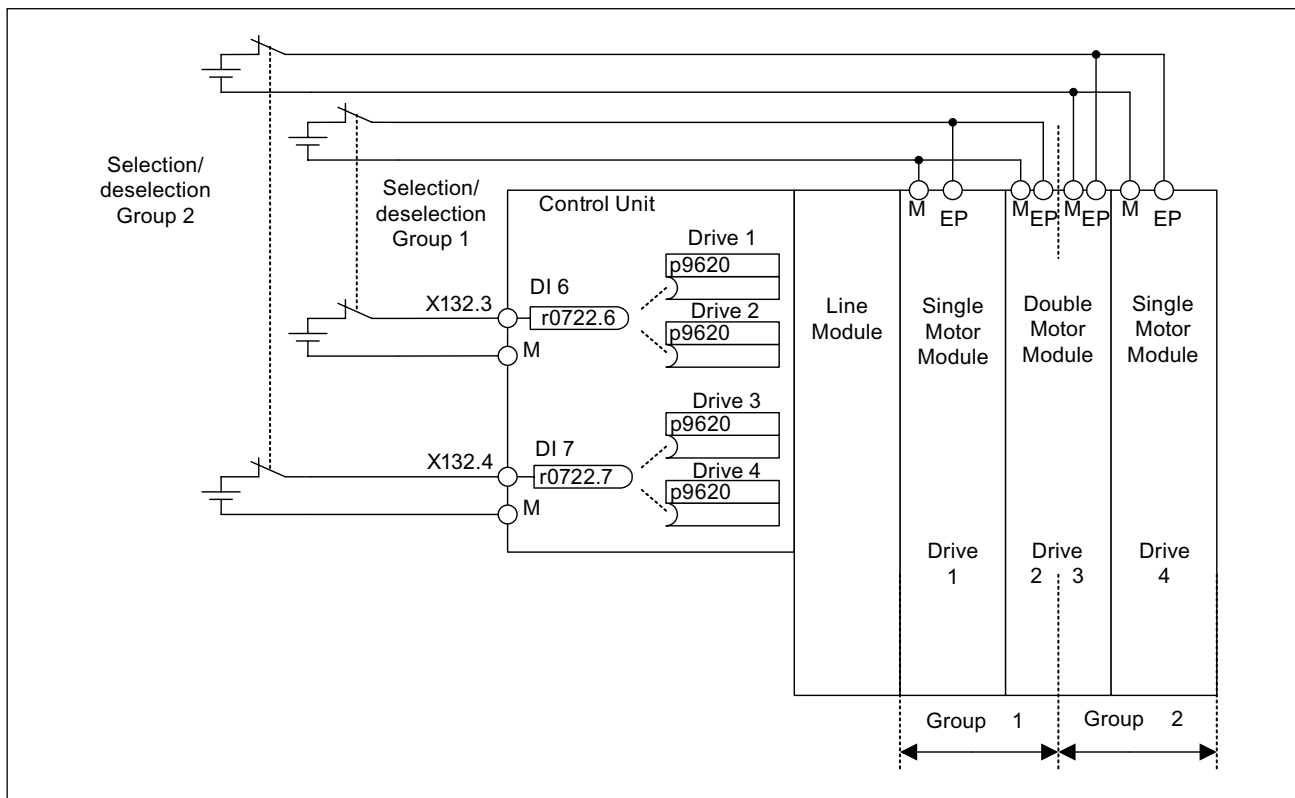


Figure 9-3 Grouping terminals with Motor Modules Booksize and CU320

Information on the parallel connection of chassis type Motor Modules

When chassis-type Motor Modules are connected in parallel, a safe AND element is created on the parallel drive object. The number of indexes in p9620 corresponds to the number of parallel chassis components in p0120.

Simultaneity and tolerance time of the two monitoring channels

The "Safe Torque Off" function must be selected/deselected simultaneously in both monitoring channels using the input terminals and is only effective for the associated drive.

1 signal: Deselecting the function

0 signal: Selecting the function

"Simultaneously" means:

The changeover must be complete in both monitoring channels within the parameterized tolerance time.

- p9650 SI SGE changeover tolerance time (Control Unit)
- p9850 SI SGE changeover tolerance time (Motor Module)

If the "Safe Torque Off" function is not selected/deselected within the tolerance time, this is detected by the cross-comparison, and fault F01611 or F30611 (STOP F) is output. In this case, the pulses have already been canceled as a result of the selection of "Safe Torque Off" on one channel.

9.8 Commissioning the "STO", "SBC" and "SS1" functions

9.8.1 General information about commissioning safety functions

Commissioning notes

NOTICE
For safety reasons, safety functions cannot be commissioned offline with the STARTER commissioning tool (or SCOUT).

Note

- The "STO", "SBC" and "SS1" functions are drive specific, that is, the functions must be commissioned individually for each drive.
- To support the "STO" and "SBC" functions, the following (minimum) safety versions are required:
Control Unit: V02.01.01 (r9770[0...2])
Motor Module: V02.01.01 (r9870[0...2])
- To support the "SS1" functions, the following (minimum) safety version is required:
Control Unit: V02.04.01 (r9770[0...2])
Motor Module: V02.04.01 (r9870[0...2])
- If the version in the Motor Module is incompatible, the Control Unit responds as follows during the switchover to safety commissioning mode (p0010 = 95):
 - Fault F01655 (SI CU: Align the monitoring functions) is output. The fault triggers fault reaction OFF2.
The fault cannot be acknowledged until safety commissioning mode (p0010 ≠ 95) is exited.
 - The Control Unit triggers a safe pulse suppression via its own safety switch-off signal path.
 - If parameterized (p1215), the motor holding brake is applied.
 - The safety functions cannot be enabled (p9601/p9801 and p9602/p9802).

Prerequisites for commissioning the safety functions

1. Commissioning of the drives must be complete.
2. Non-safe pulse suppression must be present (e.g. via OFF1 = "0" or OFF2 = "0")
If the motor holding brake is connected and parameterized, the holding brake is applied.
3. The terminals for "Safe Torque Off" must be wired.
4. For operation with SBC, the following applies:
A motor with motor holding brake must be connected to the appropriate terminal of the Motor Module.

Standard commissioning of the safety functions

1. A project that has been commissioned and uploaded to STARTER can be transferred to another drive unit without losing the safety parameterization.
2. If the source and target devices have different firmware versions, it may be necessary to adapt the reference checksums (p9799, p9899). This is indicated by the faults F01650 (fault value: 1000) and F30650 (fault value: 1000).
3. Once the project has been downloaded to the target device, an acceptance test must be carried out (see table 9-10ff). This is indicated by fault F01650 (fault value: 2004).

NOTICE
Once a project has been downloaded, it must be stored on the non-volatile memory card (copy from RAM to ROM).

Replacement of Motor Modules with later firmware version

1. After a Motor Module fails, a more recent firmware version can be installed on the new Motor Module.
2. If the old and new devices have different firmware versions, it may be necessary to adjust the reference checksums (p9899) (see Table 9-3). This is indicated by fault F30650 (fault value: 1000).

Table 9- 6 Adapting the reference checksum (p9899)

no.	Parameter	Description/comments
1	p0010 = 95	Safety Integrated: set commissioning mode.
2	p9761 = "Value"	Set the safety password.
3	p9899 = "r9898"	Adapt the reference checksum on the Motor Module
4	p0010 = Value not equal to 95	Safety Integrated: exit commissioning mode
5	POWER ON	Carry out a POWER ON.

Adapt the reference checksum with the safety screens of STARTER:
 Change settings -> Enter password -> Activate settings
 After the settings have been activated, the checksums are automatically adapted.

9.8.2 Procedure for commissioning "STO", "SBC" and "SS1"

To commission the "STO", "SBC" and "SS1" functions, carry out the following steps:

Table 9- 7 Commissioning the "STO", "SBC" and "SS1" functions

No.	Parameter	Description/comments
1	p0010 = 95	<p>Safety Integrated: set commissioning mode.</p> <ul style="list-style-type: none"> The following alarms and faults are output: <ul style="list-style-type: none"> A01698 (SI CU: Commissioning mode active) <p>During first commissioning only:</p> <ul style="list-style-type: none"> F01650 (SI CU: acceptance test required) with fault value = 130 (no safety parameters exist for the Motor Module). F30650 (SI MM: acceptance test required) with fault value = 130 (no safety parameters exist for the Motor Module). <p>Acceptance test and acceptance certificate: see step 14.</p> <ul style="list-style-type: none"> The pulses are safely canceled and monitored by the Control Unit and Motor Module. The safety sign of life is monitored by the Control Unit and Motor Module. The function for exchanging stop responses between the Control Unit and Motor Module is active. An existing and parameterized motor holding brake has already been applied. In this mode, fault F01650 or F30650 with fault value = 2003 is output after a safety parameter is changed for the first time. <p>This behavior applies for the entire duration of safety commissioning, that is, the "STO" function cannot be selected/deselected while safety commissioning mode is active because this would constantly force safe pulse suppression.</p>
2	p9761 = "Value"	<p>Set the safety password.</p> <p>When Safety Integrated is commissioned for the first time, the following applies:</p> <ul style="list-style-type: none"> Safety password = 0 Default setting for p9761 = 0 <p>This means that the safety password does not need to be set during first commissioning.</p>
3	p9601.0 p9801.0	<p>Enable "Safe Torque Off" function.</p> <p>STO via Control Unit terminals</p> <p>STO via Motor Module terminals</p> <ul style="list-style-type: none"> The parameters are not changed until safety commissioning mode has been exited (i.e. when p0010 ≠ 95 is set). Both parameters are included in the data cross-check and must, therefore, be identical.
4	p9602 = 1 p9802 = 1	<p>Enable the "Safe brake control" function.</p> <p>Enable "SBC" on the Control Unit</p> <p>Enable "SBC" on the Motor Module</p> <ul style="list-style-type: none"> The parameters are not changed until safety commissioning mode has been exited (i.e. when p0010 ≠ 95 is set). Both parameters are included in the data cross-check and must, therefore, be identical. The "safe brake control" function is not activated until at least one safety monitoring function has been enabled (i.e. p9601 = p9801 ≠ 0).

No.	Parameter	Description/comments
5	<p>p9652 > 0</p> <p>p9852 > 0</p>	<p>Enable "Safe Stop 1" function.</p> <p>Enable "SS1" on the Control Unit</p> <p>Enable "SS1" on the Motor Module</p> <ul style="list-style-type: none"> • The parameters are not changed until safety commissioning mode has been exited (i.e. when p0010 ≠ 95 is set). • Both parameters are included in the data cross-check and must, therefore, be identical. • The "Safe Stop 1" function is not activated until at least one safety monitoring function has been enabled (i.e. p9601 = p9801 ≠ 0).
6	<p>p9620 = "Value"</p> <p>Terminal "EP"</p>	<p>Set terminals for "Safe Torque Off (STO)".</p> <p>Set the signal source for STO on the Control Unit.</p> <p>Wire terminal "EP" (enable pulses) on the Motor Module.</p> <ul style="list-style-type: none"> • Control Unit monitoring channel: <p>By appropriately interconnecting BI: p9620 for the individual drives, the following is possible:</p> <ul style="list-style-type: none"> – Selecting/deselecting the STO – Grouping the terminals for STO • Motor Module monitoring channel: <p>By wiring the "EP" terminal accordingly on the individual Motor Modules, the following is possible:</p> <ul style="list-style-type: none"> – Selecting/deselecting the STO – Grouping the terminals for STO <p>Note:</p> <p>The STO terminals must be grouped identically in both monitoring channels.</p>
7	<p>p9650 = "Value"</p> <p>p9850 = "Value"</p>	<p>Set F-DI changeover tolerance time.</p> <p>F-DI changeover tolerance time on Control Unit</p> <p>F-DI changeover tolerance time on Motor Module</p> <ul style="list-style-type: none"> • The parameters are not changed until safety commissioning mode has been exited (i.e. when p0010 ≠ 95 is set). • Due to the different runtimes in the two monitoring channels, an F-DI changeover (e.g., selection/deselection of STO) does not take immediate effect. After an F-DI changeover, dynamic data are not subject to a data cross-check during this tolerance time. • Both parameters are included in the data cross-check and must, therefore, be identical. A difference of one safety monitoring clock cycle is tolerated for the values.

No.	Parameter	Description/comments
8	<p>p9658 = "Value"</p> <p>p9858 = "Value"</p>	<p>Set transition period from STOP F to STOP A.</p> <p>Transitional period from STOP F to STOP A on Control Unit</p> <p>Transitional period from STOP F to STOP A on Motor Module</p> <ul style="list-style-type: none"> • The parameters are not changed until safety commissioning mode has been exited (i.e. when p0010 ≠ 95 is set). • STOP F is the stop response that is initiated when the data cross-check is violated as a result of fault F01611 or F30611 (SI: defect in a monitoring channel). STOP F normally triggers "No stop response". • After the parameterized time has expired, STOP A (immediate safety pulse inhibit) is triggered by the fault F01600 or F30600 (SI: STOP A triggered). <p>The default setting for p9658 and p9858 is 0 (i.e., STOP F immediately results in STOP A).</p> <ul style="list-style-type: none"> • Both parameters are included in the data cross-check and must, therefore, be identical. A difference of one safety monitoring clock cycle is tolerated for the values.
9	<p>p9659 = "Value"</p>	<p>Time for carrying out forced dormant error detection and testing the safety switch-off paths.</p> <ul style="list-style-type: none"> • After this time has expired, the user is requested to test the switch-off paths as a result of alarm A01699 (SI CU: Necessary to test the switch-off signal paths) (i.e. select/de-select STO). • The commissioning engineer can change the time required for carrying out the forced dormant error detection and testing the safety switch-off paths.
10	<p>p9799 = "r9798"</p> <p>p9899 = "r9898"</p>	<p>Adjust specified checksums.</p> <p>Specified checksum on the Control Unit</p> <p>Specified checksum on the Motor Module</p> <p>The current checksums for the Safety parameters that have undergone a checksum check are displayed as follows:</p> <ul style="list-style-type: none"> • Actual checksum on the Control Unit: r9798 • Actual checksum on the Motor Module: r9898 <p>By setting the actual checksum in the parameter for the specified checksum, the commissioning engineer confirms the Safety parameters in each monitoring channel.</p> <p>This procedure is performed automatically when STARTER and the commissioning wizard for SINAMICS Safety Integrated are used.</p>
11	<p>p9762 = "Value"</p> <p>p9763 = "Value"</p>	<p>Set the new Safety password.</p> <p>Enter a new password.</p> <p>Confirm the new password.</p> <ul style="list-style-type: none"> • The new password is not valid until it has been entered in p9762 and confirmed in p9763. • As of now, you must enter the new password in p9761 so that you can change Safety parameters. • Changing the Safety password does not mean that you have to change the checksums in p9799 and p9899.

No.	Parameter	Description/comments
12	p0010 = Value not equal to 95	<p>Safety Integrated: exit commissioning mode</p> <ul style="list-style-type: none"> If at least one safety monitoring function is enabled (p9601 = p9801 ≠ 0), the checksums are checked: <p>If the target checksum on the Control Unit has not been correctly adapted, then fault F01650 (SI CU: Acceptance test required) is output with fault code 2000 and it is not possible to exit the safety commissioning mode.</p> <p>If the target checksum on Motor Modules has not been correctly adapted, then fault F01650 (SI CU: Acceptance test required) is output with fault code 2001 and it is not possible to exit the safety commissioning mode.</p> If a safety monitoring function has not been enabled (p9601 = p9801 = 0), safety commissioning mode is exited without the checksums being checked. <p>When safety commissioning mode is exited, the following is carried out:</p> <ul style="list-style-type: none"> The new safety parameters are active on the Control Unit and Motor Module.
13		All drive parameters (entire drive group or only single axis) must be manually saved from RAM to ROM. These data are not saved automatically!
14	POWER ON	Carry out a POWER ON. After commissioning, a POWER ON reset must be carried out.
15	-	<p>Carry out acceptance test and create test certificate.</p> <p>Once safety commissioning is complete, the commissioning engineer must carry out an acceptance test for the enabled safety monitoring functions.</p> <p>The results of the acceptance test must be documented in an acceptance certificate.</p>


9.8.3 Safety faults

The fault messages for Safety Basic Functions are stored in the standard message buffer and can be read from there. In contrast, the fault messages for Safety Integrated Extended Functions are stored in a separate safety message buffer (see section "Message buffer").

When faults associated with Safety Integrated Basic Functions occur, the following stop responses can be initiated:

Table 9- 8 Stop responses to Safety Integrated Basic Functions

Stop response	Triggered ...	Action	Effect
STOP A cannot be acknowledged	For all non-acknowledgeable safety faults with pulse suppression.	Trigger safe pulse suppression via the switch-off signal path for the relevant monitoring channel. During operation with SBC: apply motor holding brake.	The motor coasts to a standstill or is braked by the holding brake.
STOP A	For all acknowledgeable safety faults As a follow-up reaction of STOP F.		
<p>STOP A is identical to stop Category 0 to EN 60204-1:2006.</p> <p>With STOP A, the motor is switched directly to zero torque via the "Safe Torque Off (STO)" function.</p> <p>A motor at standstill cannot be started again accidentally.</p> <p>A moving motor coasts to standstill. This can be prevented by using external braking mechanisms, e.g. holding or operating brake.</p> <p>When STOP A is active, "Safe Torque Off" (STO) is effective.</p>			
STOP F	If an error occurs in the data cross-check.	Transition to STOP A.	Follow-up reaction STOP A with adjustable delay (default setting without delay) if one of the safety functions is selected
<p>STOP F is permanently assigned to the data cross-check (DCC). In this way, errors are detected in the monitoring channels.</p> <p>After STOP F, STOP A is triggered.</p> <p>When STOP A is active, "Safe Torque Off" (STO) is effective.</p>			

 WARNING
<p>With a vertical axis or pulling load, there is a risk of uncontrolled axis movements when STOP A/F is triggered. This can be prevented by using "Safe Brake Control (SBC)" and a holding brake (not a safety brake!) with sufficient holding force.</p>

Acknowledging the safety faults

Faults associated with Safety Integrated Basic Functions must be acknowledged as follows:

1. Remove the cause of the fault.
2. Deselect "Safe Torque Off" (STO).
3. Acknowledge the fault.

If safety commissioning mode is exited when the safety functions are switched off (p0010 = value not equal to 95 when p9601 = p9801 = 0), all the safety faults can be acknowledged.

Once safety commissioning mode has been selected again (p0010 = 95), all the faults that were previously present reappear.

NOTICE
Safety faults can also be acknowledged (as with all other faults) by switching the drive unit off and then on again (POWER ON).
If this action has not eliminated the fault cause, the fault is displayed again immediately after power up.

Description of faults and alarms

Note

The faults and alarms for SINAMICS Safety Integrated are described in the following documentation:

References: /LH1/ SINAMICS S120/S150 List Manual

9.9 Acceptance test and certificate

9.9.1 General information about acceptance

Acceptance test

The machine manufacturer must carry out an acceptance test of the selected Safety Integrated functions (SI functions) on the machine.

During the acceptance test, all the limit values entered for the enabled SI functions must be exceeded to check and verify that the functions are working properly.

NOTICE

The acceptance test must only be carried out after the safety functions have been commissioned and POWER ON reset.
--

Authorized person, acceptance report

Each SI function must be tested and the results documented and signed in the acceptance certificate by an authorized person. The acceptance certificate must be stored in the machine logbook.

Authorized in this sense refers to a person who has the necessary technical training and knowledge of the safety functions and is authorized by the machine manufacturer to carry out the test.

Note

- The information and descriptions regarding commissioning must be carefully observed.
 - If any parameters are altered by SI functions, the acceptance test must be carried out again and documented in the acceptance certificate.
 - Template for the acceptance certificate
A printed form is available in this manual as an example/suggestion.
-

Scope of a complete acceptance test

Documentation

Machine documentation (including the SI functions)

1. Machine description and overview diagram
2. SI functions for each drive
3. Description of safety equipment

Functional test

Check the individual SI functions used

1. "Safe Torque Off" function, part 1
2. "Safe Torque Off" function, part 2
3. "Safe Stop 1" function
4. "Safe brake control" function

Completion of certificate

Record the commissioning procedure and provide countersignatures.

1. Check the Safety parameters
2. Record the checksums
3. Verify the data backups
4. Countersignatures

Appendix

Measurement records for function test parts 1 and 2.

- Alarm logs
- Trace recordings

9.9.2 Safety logbook

Description

The "Safety Logbook" function is used to detect changes to safety parameters that affect the associated CRC sums. CRCs are only generated when p9601/p9801 (SI enable, functions integrated in the drive CU/Motor Module) is > 0.

Changes to data can be detected when the CRCs of the SI parameters have changed. Each SI parameter change that is to become active requires the reference CRC to be changed so that the drive can be operated without SI fault messages. The following changes are recorded by the safety logbook:

- Functional changes are recorded in the checksum r9781[0]:
 - Functional CRCs of the basic safety functions integrated in the drive (p9799, SI reference checksum SI parameters CU)
 - Enable drive-integrated functions (p9601)

Overview of important parameters (see SINAMICS S List Manual)

- r9781[0] SI checksum to check changes (Control Unit), functional
- r9782[0] SI time stamp to check changes (Control Unit), functional
- p9799 SI reference checksum SI parameters (Control Unit)
- p9601 SI enable, functions integrated in the drive (Control Unit)
- p9801 SI enable, functions integrated in the drive (Motor Module)

9.9.3 Documentation

Table 9- 9 Machine description and overview diagram

Designation	
Type	
Serial number	
Manufacturer	
End customer	
Electrical axes	
Other axes	
Spindles	
Overview diagram of machine	

Table 9- 10 Values from relevant machine data

Parameter Control Unit		FW version	-
		r0018 =	-
Parameter Motor Modules	Drive number	FW version	SI version
		-	r9770 =
		r0128 =	r9870 =
		r0128 =	r9870 =
		r0128 =	r9870 =
		r0128 =	r9870 =
		r0128 =	r9870 =
		r0128 =	r9870 =
	Drive number	SI monitoring clock cycle Control Unit	SI monitoring clock cycle Motor Module
Parameter Motor Modules		r9780 =	r9880 =
		r9780 =	r9880 =
		r9780 =	r9880 =
		r9780 =	r9880 =
		r9780 =	r9880 =
		r9780 =	r9880 =

Table 9- 11 SI functions for each drive

Drive number	SI function

Table 9- 12 Description of safety equipment

Examples:
Wiring of STO terminals (protective door, emergency OFF), grouping of STO terminals, holding brake for vertical axis, etc.

9.9.4 Acceptance test for Safe Torque Off (STO)

"Safe Torque Off" (STO) function

This test comprises the following steps:

Table 9- 13 "Safe Torque Off" (STO) function

No.	Description	Status
1.	Initial state	
	Drive in "Ready" status (p0010 = 0)	
	STO function enabled (p9601.0 = 1, p9801.0 = 1)	
	No safety faults and alarms (r0945, r2122, r2132)	
	r9772.0 = r9772.1 = 0 (STO deselected and inactive – CU)	
	r9872.0 = r9872.1 = 0 (STO deselected and inactive – MM)	
	r9773.0 = r9773.1 = 0 (STO deselected and inactive – drive)	
	When terminals are grouped for "Safe Torque Off": r9774.0 = r9774.1 = 0 (STO deselected and inactive - group)	
2.	Run the drive	
3.	Ensure that the correct drive is running	
4.	Select STO when issuing the traversing command	
Note:		
The acceptance test must be carried out for each configured control, which may be via terminals, via the TM54F or via PROFIsafe.		
5.	Check the following:	
	• The drive coasts to a standstill or is braked and stopped by the mechanical brake (if available and configured (p1215, p9602, p9802)).	
	• No safety faults and alarms (r0945, r2122, r2132)	
	• r9772.0 = r9772.1 = 1 (STO selected and active – CU)	
	• r9872.0 = r9872.1 = 1 (STO selected and active – MM)	
	• r9773.0 = r9773.1 = 1 (STO selected and active – drive)	
• When terminals are grouped for "Safe Torque Off": r9774.0 = r9774.1 = 1 (STO selected and active - group)		
6.	Deselect STO	
7.	Check the following:	
	• No safety faults and alarms (r0945, r2122, r2132)	
	• r9772.0 = r9772.1 = 0 (STO deselected and inactive – CU)	
	• r9872.0 = r9872.1 = 0 (STO deselected and inactive – MM)	
	• r9773.0 = r9773.1 = 0 (STO deselected and inactive – drive)	
	• When terminals are grouped for "Safe Torque Off": r9774.0 = r9774.1 = 0 (STO deselected and inactive - group)	
• r0046.0 = 1 (drive in "Power-on inhibit" state)		

No.	Description	Status
8.	Acknowledge "Power-on inhibit" and run the drive	
9.	Ensure that the correct drive is running	
	The following is tested: <ul style="list-style-type: none"> • Correct DRIVE-CLiQ wiring between Control Unit and Motor Modules • Correct assignment of drive No. – Motor Module – motor • The hardware is functioning properly • The switch-off signal paths are wired correctly • Correct assignment of the terminals for STO on the Control Unit • Correct STO grouping (if available) • Correct parameterization of the STO function • Routine for forced dormant error detection of the switch-off signal paths 	

9.9.5 Acceptance test for Safe Stop 1, time controlled (SS1)

"Safe Stop 1" function (SS1, time-controlled)

This test comprises the following steps:

Table 9- 14 "Safe Stop 1" function (SS1)

No.	Description	Status
1.	Initial state	
	Drive in "Ready" status (p0010 = 0)	
	STO function enabled (p9601.0 = 1, p9801.0 = 1)	
	Enable SS1 function (p9652 > 0, p9852 > 0)	
	No safety faults and alarms (r0945, r2122, r2132)	
	r9772.0 = r9772.1 = 0 (STO deselected and inactive – CU)	
	r9872.0 = r9872.1 = 0 (STO deselected and inactive – MM)	
	r9773.0 = r9773.1 = 0 (STO deselected and inactive – drive)	
	r9772.2 = r9872.2 = 0 (SS1 not requested – CU and MM)	
	When terminals are grouped for "Safe Torque Off": r9774.0 = r9774.1 = 0 (STO deselected and inactive - group)	
2.	Run the drive	
3.	Ensure that the correct drive is running	
4.	Select SS1 when the run command is issued	
Note: The acceptance test must be carried out for each configured control, which may be via terminals, via the TM54F or via PROFIsafe.		
5.	Check the following:	
	<ul style="list-style-type: none"> • The drive is braked along the OFF3 ramp (p1135) 	
	Before the SS1 delay time (p9652, p9852) expires, the following applies:	
	<ul style="list-style-type: none"> • r9772.0 = r9772.1 = 0 (STO deselected and inactive - CU) 	

No.	Description	Status
	<ul style="list-style-type: none"> • r9872.0 = r9872.1 = 0 (STO deselected and inactive – MM) 	
	<ul style="list-style-type: none"> • r9772.2 = r9872.2 = 1 (SS1 active – CU and MM) 	
	<ul style="list-style-type: none"> • r9773.0 = r9773.1 = 0 (STO deselected and inactive - drive) 	
	<ul style="list-style-type: none"> • r9773.2 = 1 (SS1 active – drive) 	
	STO is initiated after the SS1 delay time expires (p9652, p9852).	
	<ul style="list-style-type: none"> • No safety faults and alarms (r0945, r2122, r2132) 	
	<ul style="list-style-type: none"> • r9772.0 = r9772.1 = 1 (STO selected and active - CU) 	
	<ul style="list-style-type: none"> • r9872.0 = r9872.1 = 1 (STO selected and active – MM) 	
	<ul style="list-style-type: none"> • r9772.2 = r9872.2 = 0 (SS1 inactive – CU and MM) 	
	<ul style="list-style-type: none"> • r9773.0 = r9773.1 = 1 (STO selected and active – drive) 	
	<ul style="list-style-type: none"> • r9773.2 = 0 (SS1 inactive – drive) 	
6.	Canceling SS1	
7.	Check the following:	
	<ul style="list-style-type: none"> • No safety faults and alarms (r0945, r2122, r2132) 	
	<ul style="list-style-type: none"> • r9772.0 = r9772.1 = 0 (STO deselected and inactive - CU) 	
	<ul style="list-style-type: none"> • r9872.0 = r9872.1 = 0 (STO deselected and inactive – MM) 	
	<ul style="list-style-type: none"> • r9772.2 = r9872.2 = 0 (SS1 inactive – CU and MM) 	
	<ul style="list-style-type: none"> • r9773.0 = r9773.1 = 0 (STO deselected and inactive - drive) 	
	<ul style="list-style-type: none"> • r9773.2 = 0 (SS1 inactive – drive) 	
	<ul style="list-style-type: none"> • r0046.0 = 1 (drive in "Power-on inhibit" state) 	
8.	Acknowledge "Power-on inhibit" and run the drive	
9.	Ensure that the correct drive is running	
	The following is tested:	
	<ul style="list-style-type: none"> • Correct parameterization of the SS1 function 	

9.9.6 Acceptance test for "Safe Brake Control" (SBC)

"Safe Brake Control" function (SBC)

This test comprises the following steps:

Table 9- 15 "Safe brake control" (SBC) function

No.	Description	Status
1.	Initial state	
	• Drive in "Ready" status (p0010 = 0)	
	• STO function enabled (p9601.0 = 1, p9801.0 = 1)	
	• Enable SBC function (p9602 = 1, p9802 = 1)	
	• Vertical axis: Brake as in sequential control (p1215 = 1)	
	• No vertical axis: Brake always released (p1215 = 2)	
	• Vertical axis: Mechanical brake is applied	
	• No vertical axis: Mechanical brake is released	
	• No safety faults or alarms (r0945, r2122)	
	• r9772.0 = r9772.1 = 0 (STO deselected and inactive – CU)	
	• r9872.0 = r9872.1 = 0 (STO deselected and inactive – MM)	
• r9773.0 = r9773.1 = 0 (STO deselected and inactive – drive)		
• r9772.4 = r9872.4 = 0 (SBC not requested – CU and MM)		
2.	Run drive (applied brake is released)	
3.	Ensure that the correct drive is running	
4.	Select STO/SS1 during the traversing command.	
<p>Note: The acceptance test must be carried out for each configured control, which may be via terminals, via the TM54F or via PROFIsafe.</p>		
5.	<p>Check the following:</p> <ul style="list-style-type: none"> • Drive is braked and stopped by the mechanical brake. • No safety faults or alarms (r0945, r2122) • r9772.0 = r9772.1 = 1 (STO selected and active – CU) • r9872.0 = r9872.1 = 1 (STO selected and active – MM) • r9773.0 = r9773.1 = 1 (STO selected and active – drive) • r9772.4 = r9872.4 = 1 (SBC requested – CU and MM) 	
6.	Deselect STO	
7.	Check the following:	

No.	Description	Status
	<ul style="list-style-type: none"> • Vertical axis: Mechanical brake remains applied • No vertical axis: Mechanical brake is released • No safety faults or alarms (r0945, r2122) 	
	• r9772.0 = r9772.1 = 0 (STO deselected and inactive – CU)	
	• r9872.0 = r9872.1 = 0 (STO deselected and inactive – MM)	
	• r9773.0 = r9773.1 = 0 (STO deselected and inactive – drive)	
	• r9772.4 = r9872.4 = 0 (SBC not requested – CU and MM)	
	• r0046.0 = 1 (drive in "Power-on inhibit" state)	
8.	Acknowledge "Power-on inhibit" and run the drive (vertical axis: mechanical brake is released)	
9.	Ensure that the correct drive is running	
	The following is tested: <ul style="list-style-type: none"> • The brake is connected properly • The hardware is functioning properly • The SBC is parameterized correctly • Routine for the forced dormant error detection of the brake control 	

9.9.7 Completion of certificate

SI parameters

	Specified values checked?	
	Yes	No
Control Unit		
Motor Module		

Checksums

Drive		Checksum (8 hex)		
Name	Drive number	Control Unit (p9798)	Motor Module (p9898)	Control Unit (r9781)*

* Checksum for detecting changes, see section "Safety Logbook" in SINAMICS S120 Function Manual Safety Integrated

Safety logbook

	Functional
Checksums	r9781[0] =
Time stamp	r9782[0] =

Data backup

	Storage medium			Storage location
	Type	Designation	Date	
Parameter				
PLC program				
Circuit diagrams				

Countersignatures

Commissioning engineer

This confirms that the tests and checks have been carried out properly.

Date	Name	Company/dept.	Signature

Machine manufacturer

This confirms that the parameters recorded above are correct.

Date	Name	Company/dept.	Signature

9.10 Application examples

9.10.1 Safe Stop 1 (SS1, time-controlled) when protective door is locked, emergency stop switch-off

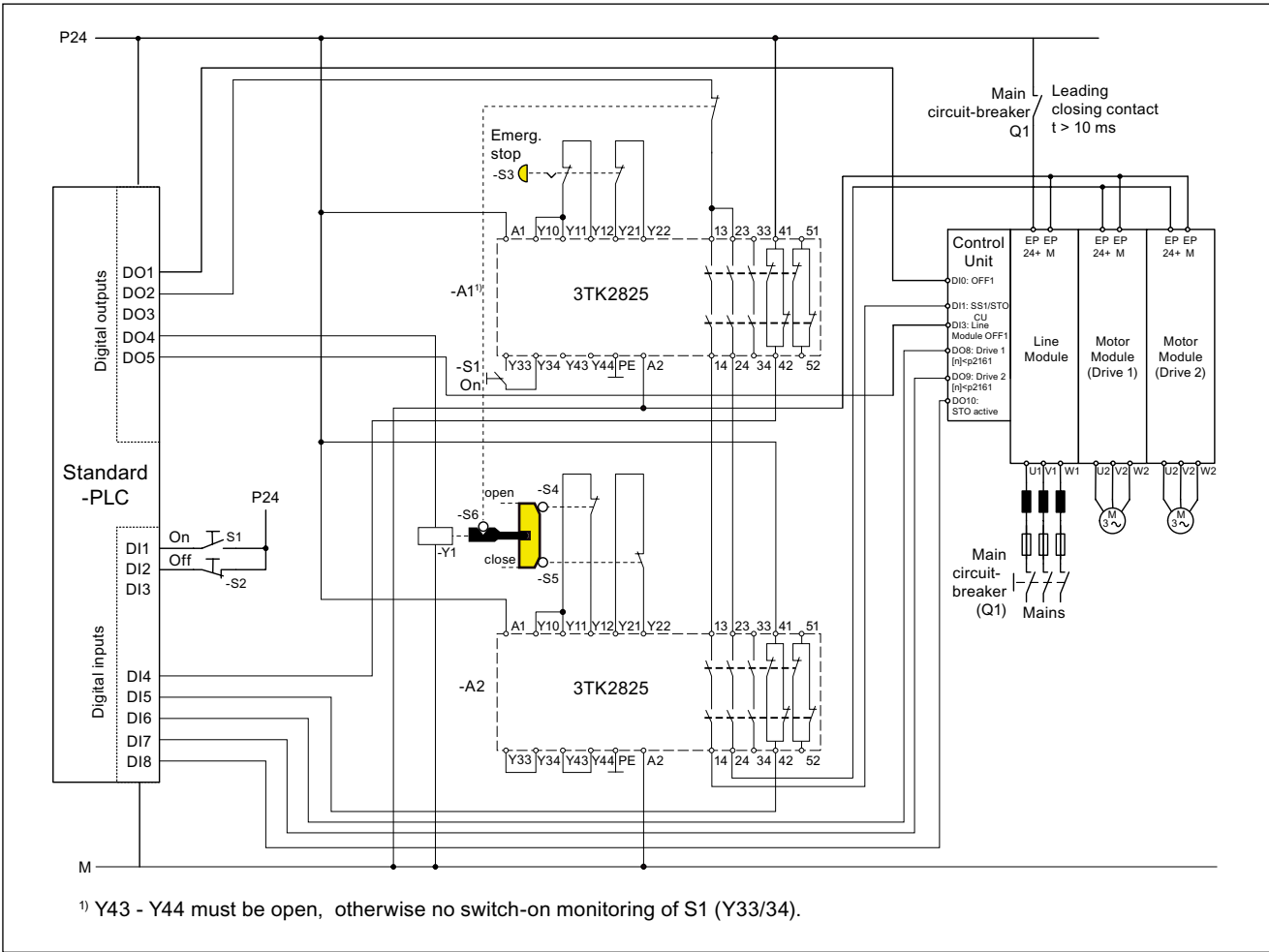


Figure 9-4 Application example

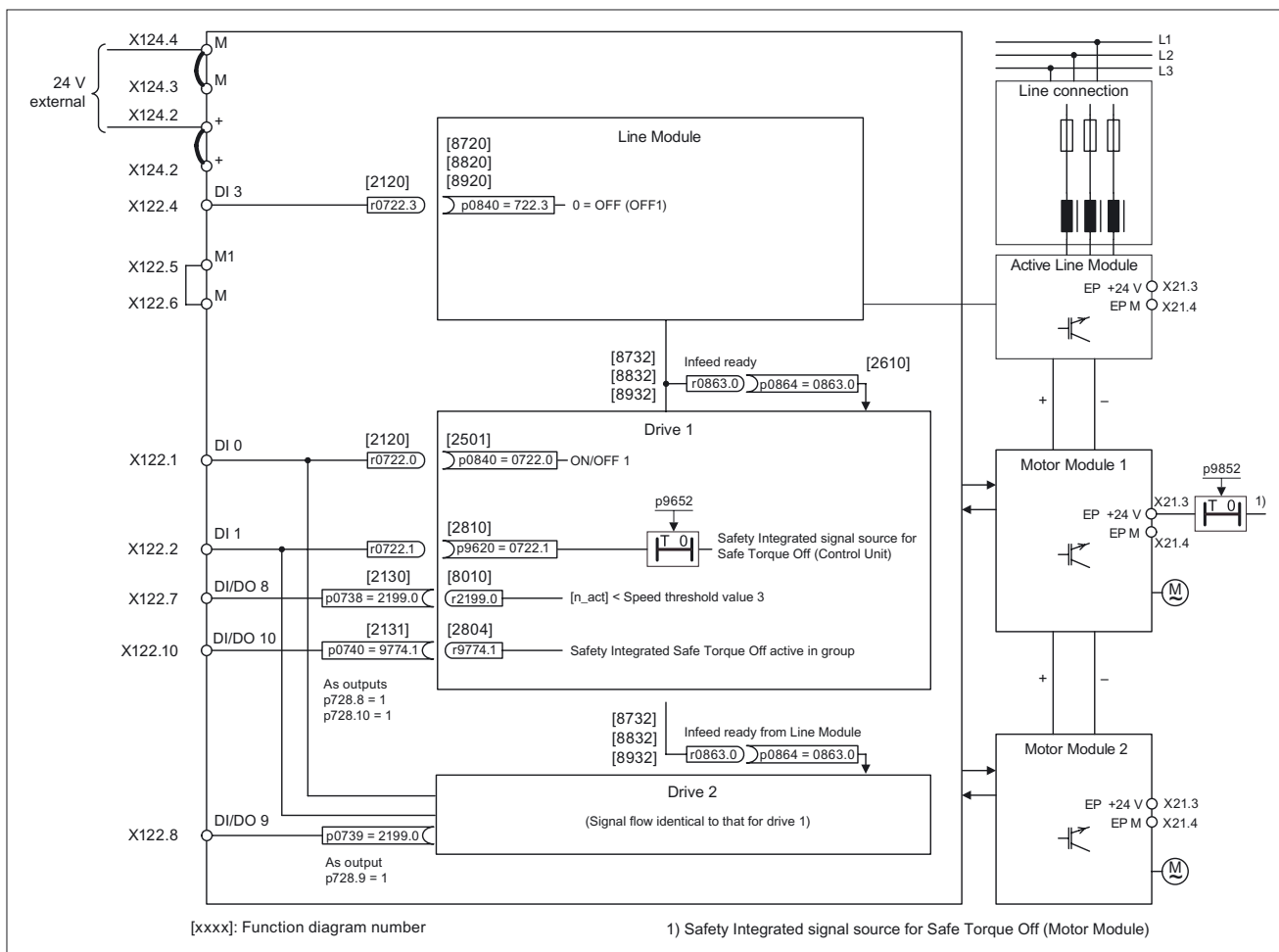


Figure 9-5 Safety Integrated signal flow application example

Note

This example illustrates implementation options. The solution required for the machine must be suitable for the machine function, which means that parameters and control commands are defined individually.

NOTICE

The fault responses and output functions (e.g. inversion or simulation) must not be changed from the factory setting or must not be activated.

Description of functions

With two SIGUARD safety combinations for emergency stop and the protective door, as well as a standard PLC, the system can be configured according to EN 954-1 category 3, ISO 13849-1 and EN 1037. The drives are brought to a standstill in accordance with stop category 1 to EN 60204-1:2006.

- The "Safe Torque Off" safety function, which is integrated in the drive, complies with category 3 to EN 954-1/ ISO 13849-1 or SIL 2 to IEC 61508. The non-safe checkback signal "Safe Torque Off active" is sufficient.
- Safety combinations for emergency stop and protective door monitoring comply with category 4 (instantaneous enable circuits).
- The electric circuits for emergency stop and protective door monitoring are monitored for cross-circuits on two channels.
- Switches S4, S5, and S6 are positively-opening position switches corresponding to EN 1088.
- Being a higher-level circuit with contacts, the "Safe Stop 1" (SS1) function also works if the PLC malfunctions or fails.
- I/O communication via the digital interface between the drive and PLC can also be replaced by non-safe standard communication (e.g. PROFIBUS).
- This application example is based on the Basic Functions "Safe Torque Off" (STO) and "Safe Stop 1" (SS1).
The speed ramps and speed thresholds are monitored in non-safe mode.

Note

To implement the EMERGENCY STOP function, the converter does not necessarily have to be electrically isolated from the line supply by means of electromechanical switching devices in accordance with EN 60204-1:2006. When work is carried out on the motor or drive converter, the voltage must be disconnected via a main circuit breaker (that can be locked out). Other standards (e.g. NFPA79-2002 / USA) specify additional requirements regarding the "EMERGENCY STOP" function. An electromechanical disconnection of the supply voltage is required to implement the "EMERGENCY OFF" function in accordance with EN 60204-1:2006. The risk analysis to be carried out by the machinery construction OEM must determine which emergency functions (emergency operations) are actually required for a specific application.

Behavior for Emergency Stop

An emergency stop is triggered by the S3 button ("Emergency stop"). The drive is brought to a standstill in accordance with stop category 1 of EN 60204-1:2006.

- Open the safe enable contacts of the safety combination A1. This activates the "Safe Stop 1" drive function on two channels via terminal X122.2 (DI 1) on the Control Unit and terminals X21.3 (EP +24 V) and X21.4 (EP M) on the Motor Module. "Safe Torque Off" is selected after the set SS1 delay time (p9852, p9652) has elapsed. When all the grouped drives have reached the "Safe Torque Off active" status, this is signaled back via terminal X122.10 (DO 10: STO group active).
- The confirmation from the safety combination and the drive is monitored in the PLC to ensure that it is plausible.

Behavior when the protective door is opened

To issue a request to open the protective door, press the S2 button ("OFF"). The drive is brought to a standstill in accordance with stop category 1 of EN 60204-1:2006.

- Resetting the PLC output DO 2 will trigger an SS1 at terminal X122.2 on the CU (DI 1) and at the EP terminals of the Motor Modules. The drives are immediately braked via the speed ramp (p1135). The speed ramp is not monitored for SS1. The pulses are safely canceled after the safe SS1 delay time (p9852, p9652) has elapsed.
- When all drives have executed the safe pulse suppression, the feedback "STO in group active" (DO 10) is issued from the CU to the PLC. In addition, a request is made via the PLC (PLC: DI 7 and DI 8) if the drives have fallen below the preset speed threshold (DO 8 and DO 9: $|n| < p2161$).
Only when these conditions are met, solenoid Y1 (PLC output DO 4) is energized and the lock of the protective door opened.
- When the protective doors are opened, the protective door safety circuit is interrupted and safety combination A2 opens its safety circuits.

Note

The position of the protective door interlock is monitored by S6! If a fault on the PLC causes the lock of the protective door to open, an SS1 is initiated via S6 at terminal X122.2 (DI 1) of the Control Unit and at the EP terminals of the Motor Modules. The drives are immediately braked via the speed ramp (p1135), and the pulses canceled after the SS1 delay time has elapsed. When the protective door is opened, the "Safe Stop 1" function is safely selected.

Switching on the drives

The drives can be started when the protective door is shut and emergency STOP pushbutton S3 is released. The emergency STOP pushbutton S3 must be unlocked before pushbutton S1 ("ON") is actuated. With the safety combination, the ON circuit Y33, Y34 is checked for a short-circuit when terminals Y43, Y44 are open (i.e. if Y33 and Y34 are closed before emergency stop pushbutton S3 is closed, this is identified as a fault). The Line Module must be switched on via PLC output DO 5 on the PLC by means of an edge from "0" to "1".

- Once you have pressed button S1 ("ON"), safety combination A1 switches to "ready for operation". When PLC output DO 4 is reset, the coil of tumbler Y1 is no longer energized and the protective door is locked. Safety combination A2 is also ready for operation.
- By setting the PLC output DO 2, the SS1 and STO safety function is de-selected on two channels via terminal DI 1 X122.2 on the Control Unit and terminals X21.3 (EP +24 V) and X21.4 (EP M) on the Motor Modules.
- Due to a rising edge at PLC output DO 1, the drives can be switched back to "operation" mode via terminal X122.1 (DI 0: OFF1).

9.11 Overview of parameters and function diagrams

Overview of parameters (see SINAMICS S120/S150 List Manual)

Table 9- 16 Parameters for Safety Integrated

No. of Control Unit (CU)	No. of Motor Module (MM)	Name	Changeable to
p9601	p9801	SI enable safety functions	Safety Integrated commissioning (p0010 = 95)
p9602	p9802	SI enable safe brake control	
p9620	-	SI signal source for Safe Torque Off	
p9650	p9850	SI SGE changeover, tolerance time (Motor Module)	
p9652	p9852	SI Safe Stop 1 delay time	
p9658	p9858	SI transition time STOP F to STOP A	
p9659	-	SI timer for the forced dormant error detection	
p9761	-	SI password input	In every operating mode
p9762	-	SI password new	Safety Integrated commissioning (p0010 = 95)
p9763	-	SI password acknowledgment	
r9770[0...2]	r9870[0...2]	SI version safety function integrated in the drive	-
r9771	r9871	SI shared functions	-
r9772	r9872	SI CO/BO: Status	-
r9773	-	SI CO/BO: Status (Control Unit + Motor Module)	-
r9774	-	SI CO/BO: Status (Safe Torque Off group)	-
r9780	r9880	SI monitoring clock cycle	-
r9794	r9894	SI crosswise comparison list	-
r9795	r9895	SI diagnostics for STOP F	-
r9798	r9898	SI actual checksum SI parameters	-
p9799	p9899	SI target checksum SI parameters	Safety Integrated commissioning (p0010 = 95)

Description of the parameters

Note

The SINAMICS Safety Integrated parameters are described in the following documentation:

References: /LH1/ SINAMICS S120/150 List Manual - Section 1.2

Function diagrams (see SINAMICS S120/S150 List Manual)

- 2800 Parameter manager
- 2802 Monitoring and faults/alarms
- 2804 Status words
- 2810 Safe Torque Off (STO)
- 2814 Safe brake control (SBC)

Communication PROFIBUS DP/PROFINET IO

10.1 Communication according to PROFIdrive

10.1.1 General information about PROFIdrive for SINAMICS

General information

PROFIdrive V4.1 is the PROFIBUS and PROFINET profile for drive technology with a wide range of applications in production and process automation systems.

PROFIdrive is independent of the bus system used (PROFIBUS, PROFINET).

Note

PROFINET for drive technology is standardized and described in the following document:

- PROFIBUS Profile PROFIdrive – Profile Drive Technology, Version V4.1, May 2006, PROFIBUS User Organization e. V.

Haid-und-Neu-Straße 7, D-76131 Karlsruhe, <http://www.profibus.com>

Order no. 3.172, spec. Chapter 6

- IEC 61800-7
-

Controller, Supervisor, and Drive Unit

- Properties of the Controller, Supervisor, and Drive Unit

Table 10- 1 Properties of the Controller, Supervisor, and Drive Unit

Properties	Controller, Supervisor	Drive Unit
As bus node	Active	Passive
Send messages	Permitted without external request	Only possible on request by master
Receive messages	Possible with no restrictions	Only receive and acknowledge permitted

- Controller (PROFIBUS: Master Class 1, PROFINET IO: IO Controller)
This is typically a higher-level control in which the automation program runs.
Example: SIMATIC S7 and SIMOTION
- Supervisor (PROFIBUS: Master Class 2, PROFINET IO: IO Supervisor)
Devices for configuration, commissioning, operator control and monitoring during bus operation. Devices that only non-cyclically exchange data with Drive Units and Controllers.
Examples: Programming devices, human machine interfaces
- Drive Unit (PROFIBUS: Slave, PROFINET IO: IO Device)
The SINAMICS drive unit is with reference to PROFdrive, a Drive Unit.

Interface IF1 and IF2

The Control Unit can communicate via two different interfaces (IF1 and IF2).

These interfaces have the following basic properties:

- IF1:
PROFdrive, standard telegrams, cycle synchronization, all DO types, can be used by PROFINET IO and PROFIBUS
- IF2:
No PROFdrive, no standard telegrams, no clock synchronization, servo, vector and infeed, reduced number of transferrable data (16 PZDs max.), can be used by CANopen

Note

For additional information on the IF1 and IF2 interfaces, see section "Parallel operation of communication interfaces" in this manual.

10.1.2 Application classes

Description

There are different application classes for PROFIdrive, depending on the scope and type of the application processes. PROFIdrive features a total of six application classes, four of which are discussed here.

Application class 1 (standard drive)

In the most basic case, the drive is controlled via a speed setpoint by means of PROFIBUS/PROFINET. In this case, speed control is fully handled in the drive controller. Typical application examples include simple frequency converters for controlling pumps and fans.

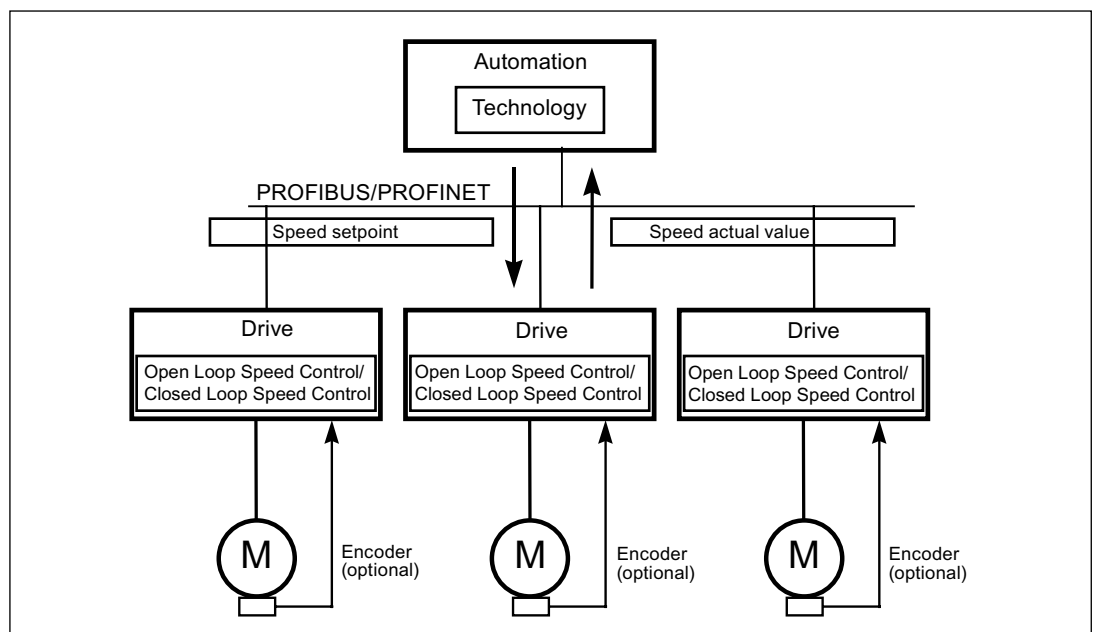


Figure 10-1 Application class 1

Application class 2 (standard drive with technology function)

The total process is subdivided into a number of small subprocesses and distributed among the drives. This means that the automation functions no longer reside exclusively in the central automation device but are also distributed in the drive controllers. Of course, this distribution assumes that communication is possible in every direction, i.e. also cross-communication between the technology functions of the individual drive controllers. Specific applications include setpoint cascades, winding drives, and speed synchronization applications for continuous processes with a continuous web.

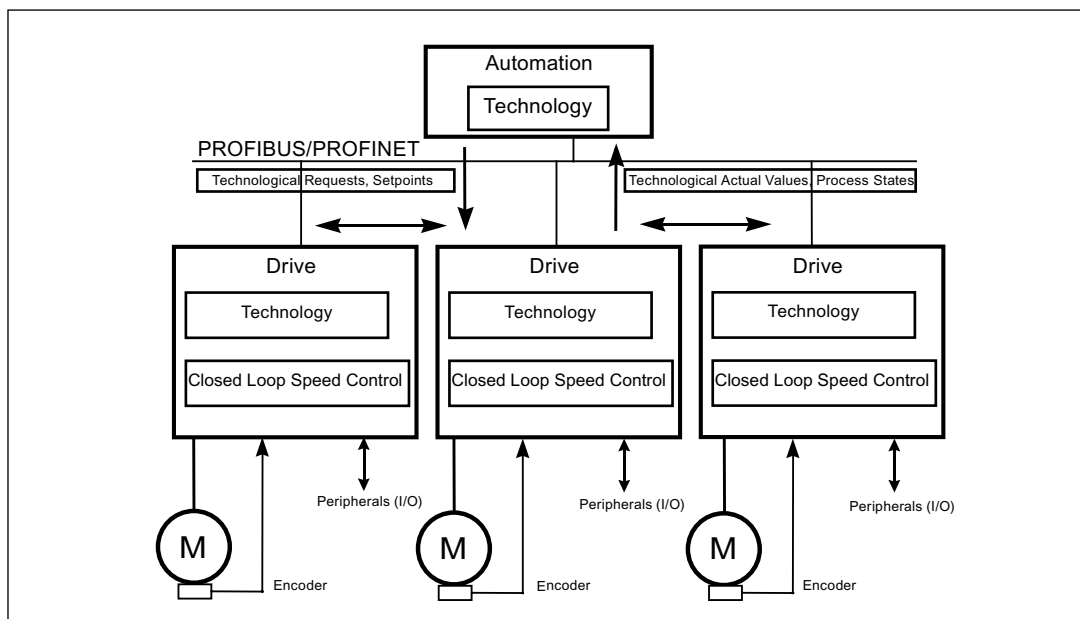


Figure 10-2 Application class 2

Application class 3 (positioning drive)

In addition to the drive control, the drive also includes a positioning control, which means that it operates as a self-contained single-axis positioning drive while the higher-level technological processes are performed on the controller. Positioning requests are transmitted to the drive controller via PROFIBUS/PROFINET and launched. Positioning drives have a very wide range of applications, e.g. the screwing and unscrewing of caps in a bottle filling plant or the positioning of cutters on a film cutting machine.

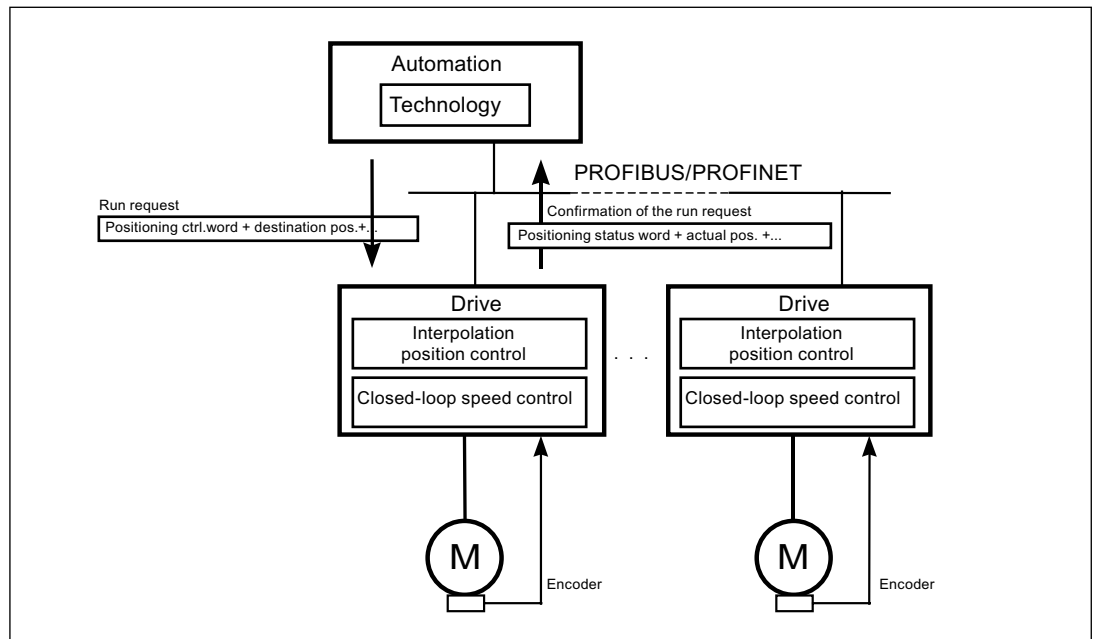


Figure 10-3 Application class 3

Application class 4 (central motion control)

This application class defines a speed setpoint interface with execution of the speed control on the drive and of the positioning control in the controller, such as is required for robotics and machine tool applications with coordinated motions on multiple drives.

Motion control is primarily implemented by means of a central numerical controller (CNC). The position control loop is closed via the bus. The synchronization of the position control cycles in the control and in the closed-loop controllers in the drive requires a clock synchronization of the kind that is provided by PROFIBUS DP and PROFINET IO with IRT.

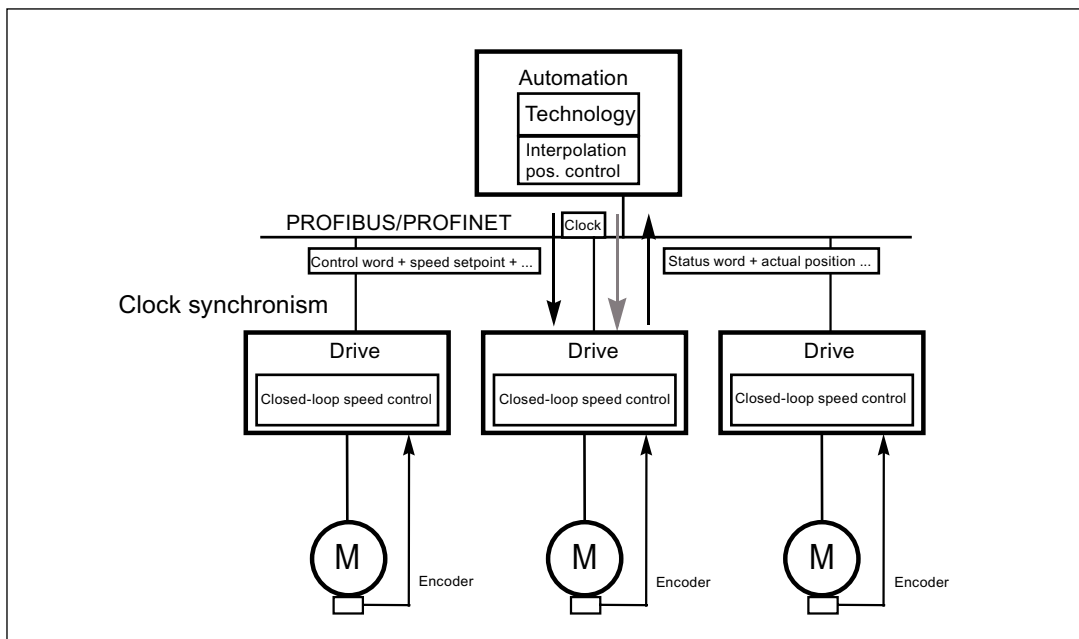


Figure 10-4 Application class 4

Dynamic Servo Control (DSC)

The PROFdrive profile contains the "Dynamic Servo Control" control concept. This can be used to significantly increase the dynamic stability of the position control loop in application class 4 with simple means.

For this purpose, the deadtime that is typical for a speed setpoint interface is minimized by an additional measure (see also chapter "Dynamic Servo Control").

Selection of telegrams as a function of the application class

The telegrams listed in the table below (see also chapter "Telegrams and process data") can be used in the following application classes:

Table 10- 2 Selection of telegrams as a function of the application class

Telegram (p0922 = x)	Description	Class 1	Class 2	Class 3	Class 4
1	Speed setpoint, 16 bit	x	x		
2	Speed setpoint, 32 bit	x	x		
3	Speed setpoint, 32 bit with 1 position encoder		x		x
4	Speed setpoint, 32 bit with 2 position encoders				x
5	Speed setpoint, 32 bit with 1 position encoder and DSC				x
6	Speed setpoint, 32 bit with 2 position encoders and DSC				x
7	Positioning, telegram 7 (basic positioner)			x	
9	Positioning, telegram 9 (basic positioner with direct input)			x	
20	Speed setpoint, 16 bit VIK-NAMUR	x	x		
102	Speed setpoint, 32 bit with 1 position encoder and torque reduction				x
103	Speed setpoint, 32 bit with 2 position encoders and torque reduction				x
105	Speed setpoint, 32 bit with 1 position encoders, torque reduction and DSC				x
106	Speed setpoint, 32 bit with 2 position encoders, torque reduction and DSC				x
110	Basic positioner with MDI, override and XIST_A			x	
111	Basic positioner in MDI mode			x	
116	Speed setpoint, 32 bit with 2 position encoders, torque reduction and DSC, plus load, torque, power and current actual values				x
118	Speed setpoint, 32 bit with two external position encoders, torque reduction and DSC, as well as actual load, torque, power, and current values				x
220	Speed setpoint, 32 bit for metal industry	x			
352	Speed setpoint, 16 bit, PCS7	x	x		
370	Infeed	x	x	x	x
371	Infeed, metal industry	x			
390	Control Unit with digital inputs/outputs	x	x	x	x
391	Control Unit with digital inputs/outputs and 2 measuring probes	x	x	x	x
392	Control Unit with digital inputs/outputs and 6 measuring probes	x	x	x	x
999	Free telegrams	x	x	x	x

10.1.3 Cyclic communication

Cyclic communication is used to exchange time-critical process data.

10.1.3.1 Telegrams and process data

General information

When a telegram is selected via p0922, the drive unit (Control Unit) process data that is transferred is determined.

From the perspective of the drive unit, the received process data comprises the receive words and the process data to be sent the send words.

The receive and send words comprise the following elements:

- Receive words: Control words or setpoints
- Send words: Status words or actual values

What telegrams are available?

1. Standard telegrams

The standard telegrams are structured in accordance with the PROFIdrive Profile. The internal process data links are set up automatically in accordance with the telegram number setting.

The following standard telegrams can be set via p0922:

- 1 Speed setpoint, 16 bit
- 2 Speed setpoint, 32 bit
- 3 Speed setpoint, 32 bit with 1 position encoder
- 4 Speed setpoint, 32 bit with 2 position encoders
- 5 Speed setpoint, 32 bit with 1 position encoder and DSC
- 6 Speed setpoint, 32 bit with 2 position encoders and DSC
- 7 Positioning, telegram 7 (basic positioner)
- 9 Positioning, telegram 9 (basic positioner with direct input)
- 20 Speed setpoint, 16 bit VIK-NAMUR

2. Manufacturer-specific telegrams

The manufacturer-specific telegrams are structured in accordance with internal company specifications. The internal process data links are set up automatically in accordance with the telegram number setting.

The following vendor-specific telegrams can be set via p0922:

- 102 Speed setpoint, 32 bit with 1 position encoder and torque reduction
- 103 Speed setpoint, 32 bit with 2 position encoders and torque reduction
- 105 Speed setpoint, 32 bit with 1 position encoder, torque reduction and DSC
- 106 Speed setpoint, 32 bit with 2 position encoders, torque reduction and DSC

- 110 Positioning, telegram 10 (basic positioner with MDI, override, and XistA)
- 111 Positioning, telegram 11 (basic positioner in MDI mode)
- 116 Speed setpoint, 32 bit with 2 position encoders, torque reduction and DSC, plus load, torque, power and current actual values
- 118 Speed setpoint, 32 bit with two external position encoders, torque reduction and DSC, as well as actual load, torque, power, and current values
- 220 Speed setpoint, 32 bit for metal industry
- 352 Speed setpoint, 16 bit, PCS7 (SINAMICS G only)
- 370 Infeed
- 371 Infeed, metal industry
- 390 Control Unit with digital inputs/outputs
- 391 Control Unit with digital inputs/outputs and 2 measuring probes
- 392 Control Unit with digital inputs/outputs and 6 measuring probes

3. Free telegrams (p0922 = 999)

The send and receive telegrams can be configured as required by using BICO technology to interconnect the send and receive process data.

	SERVO, TM41	VECTOR	CU_S	A_INF, B_INF, S_INF, TB30, TM31, TM15DI/DO
Receive process data				
DWORD connector output	r2060[0 ... 14]	r2060[0 ... 30]	-	
WORD connector output	r2050[0 ... 15]	r2050[0 ... 31]	r2050[0 ... 4]	
Binector output	r2090.0 ... 15 r2091.0 ... 15 r2092.0 ... 15 r2093.0 ... 15		r2090.0 ... 15 r2091.0 ... 15	
Free binector-connector converter	p2080[0 ... 15], p2081[0 ... 15], p2082[0 ... 15], p2083[0 ... 15], p2084[0...15] / r2089[0 ... 4]			
Send process data				
DWORD connector input	p2061[0 ... 14]	p2061[0 ... 30]	-	
WORD connector input	p2051[0 ... 18]	p2061[0 ... 31]	p2051[0 ... 14]	p2051[0 ... 7]
Free connector-binector converter	p2099[0 ... 1] / r2094.0 ... 15, r2095.0 ... 15			

Telegram interconnections

- When you change p0922 = 999 (factory setting) to p0922 ≠ 999, the telegrams are interconnected and blocked automatically.
- Exceptions here are telegrams 20, 111, 220, and 352. Here, selected PZDs can be interconnected as required in the transmit/receive telegram.
- When you change p0922 ≠ 999 to p0922 = 999, the previous telegram interconnection is retained and can be changed.
- If p0922 = 999, a telegram can be selected in p2079. A telegram interconnection is automatically made and blocked. The telegram can also be extended.

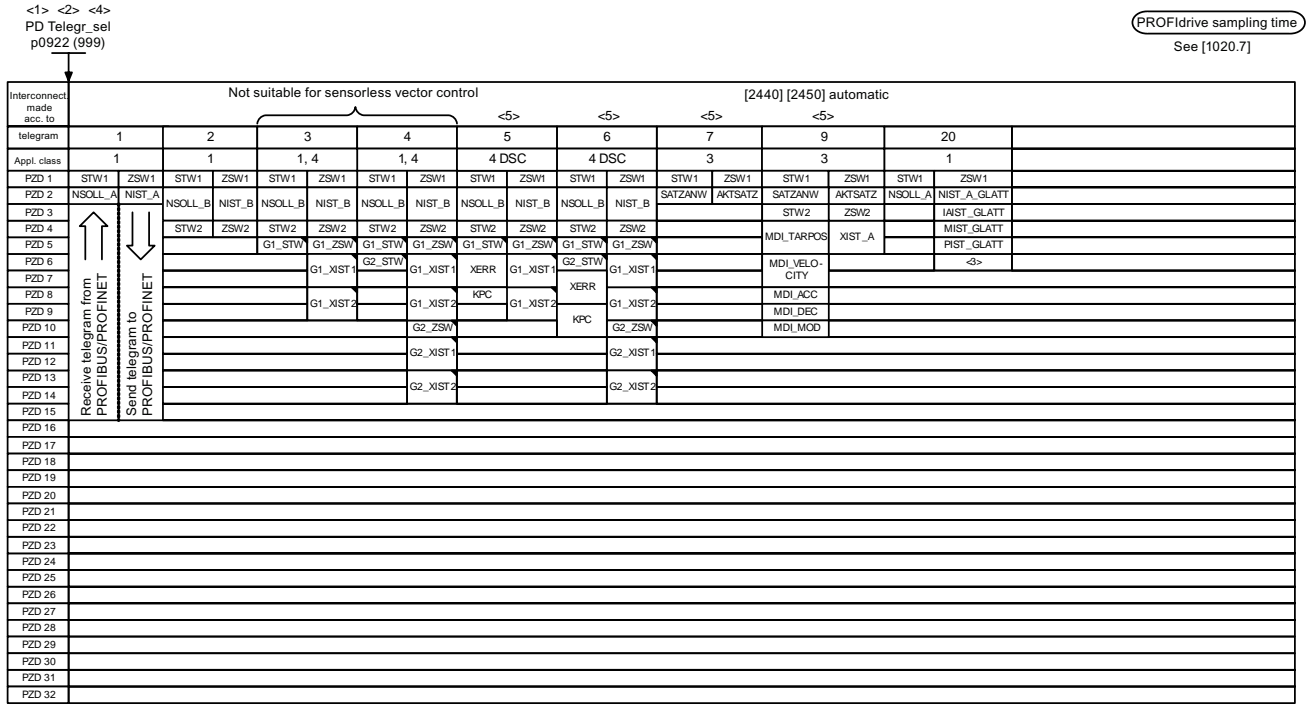
This is an easy way to create extended telegram interconnections on the basis of existing telegrams.

The telegram structure

- The parameter p0978 contains the sequence of DOs that use a cyclic PZD exchange. A zero delimits the DOs that do not exchange any PZDs.
- If the value 255 is written to p0978, the drive unit emulates an empty drive object that is visible to the PROFIdrive Master. This enables cyclic communication of a PROFIdrive master.
 - with unchanged configuration to drive units that have a different number of drive objects.
 - with deactivated DOs without having to change the project.
- The following must apply to ensure conformity with the PROFIdrive profile:
 - Interconnect PZD receive word 1 as control word 1 (STW1).
 - Interconnect PZD send word 1 as status word 1 (STW1). (Use WORD format for PZD1)
- One PZD = one word.
- Only one of the interconnection parameters (p2051 or p2061) can have the value ≠ 0 for a PZD word.
- Physical word and double word values are inserted in the telegram as referenced variables.
- p200x apply as reference variables (telegram contents = 4000 hex or 4000 0000 hex for double words if the input variable has the value p200x).

Structure of the telegrams

(Function diagram 2420)



- <1> Depending on the drive object, only certain telegrams can be used.
- <2> When the setting of p0922 is changed from 999 to another value, the telegram is assigned automatically on the basis of [2420] to [2423].
When the setting of p0922 is changed to another value, the "old" telegram assignment defined by [2420] to [2423] remains valid!
- <3> Freely interconnectable (Default: MELD_NAMUR).
- <4> The maximum PZD number depends on the drive object type.
□ = Position encoder signal
- <5> For SINAMICS S120/S150 only.

Figure 10-5 Overview of standard telegrams and process data (function diagram 2422)

10.1 Communication according to PROFdrive

PROFdrive sampling time
See [1020.7]

Interconnect. made acc. to	[2440] [2450] automatic															
telegram	<5>		<5>		<5>		<5>		<5>		<5>		<5>		<5>	
Appl. class	1, 4		1, 4		4 DSC		4 DSC		3		3		4 DSC		4 DSC	
PZD 1	STW1	ZSW1	STW1	ZSW1	STW1	ZSW1	STW1	ZSW1	STW1	ZSW1	STW1	ZSW1	STW1	ZSW1	STW1	ZSW1
PZD 2	NSOLL_B	NIST_B	NSOLL_B	NIST_B	NSOLL_B	NIST_B	NSOLL_B	NIST_B	SATZANW	AKTSAITZ	POS_STW1	POS_ZSW1	NSOLL_B	NIST_B	NSOLL_B	NIST_B
PZD 3									POS_STW	POS_ZSW	POS_STW2	POS_ZSW2				
PZD 4	STW2	ZSW2	STW2	ZSW2	STW2	ZSW2	STW2	ZSW2	STW2	ZSW2	STW2	ZSW2	STW2	ZSW2	STW2	ZSW2
PZD 5	MOMRED	MELDW	MOMRED	MELDW	MOMRED	MELDW	MOMRED	MELDW	MOMRED	MELDW	MOMRED	MELDW	MOMRED	MELDW	MOMRED	MELDW
PZD 6	G1_STW	G1_ZSW	G1_STW	G1_ZSW	G1_STW	G1_ZSW	G1_STW	G1_ZSW	G1_STW	G1_ZSW	G1_STW	G1_ZSW	G2_STW	G2_ZSW	M_LIM	FAULT_CODE
PZD 7									MDI_TAR_POS	XIST_A	MDI_TAR_POS	XIST_A	G2_STW	G2_ZSW		
PZD 8													G3_STW	G3_ZSW		
PZD 9									MDI_VELO_CITY		MDI_VELO_CITY		XERR			
PZD 10																
PZD 11									MDI_ACC		MDI_ACC	FAULT_CODE	KPC			
PZD 12									G2_ZSW	MDI_DEC	MDI_DEC	WARN_CODE				
PZD 13									MDI_MODE							
PZD 14																
PZD 15																
PZD 16																
PZD 17																
PZD 18																
PZD 19																
PZD 20																
PZD 21																
PZD 22																
PZD 23																
PZD 24																
PZD 25																
PZD 26																
PZD 27																
PZD 28																
PZD 29																
PZD 30																
PZD 31																
PZD 32																

- <1> Depending on the drive object, only certain telegrams can be used.
- <2> When the setting of p0922 is changed from 999 to another value, the telegram is assigned automatically on the basis of [2420] to [2423].
When the setting of p0922 is changed to 999 from another value, the "old" telegram assignment defined by [2420] to [2423] remains valid!
- <3> Freely interconnectable.
- <4> The maximum PZD number depends on the drive object type.
- [] = Position encoder signal
- <5> For SINAMICS S120/S150 only
- <6> Not with V/f control

Figure 10-6 Overview of manufacturer-specific telegrams and process data, part 1/2 (function diagram 2423)

PROFIdrive sampling time
See [1020.7]

Interconnect. made acc. to	[2440] [2450] automatic										[2481] [2483]				
Telegram	<5>		370		371		390		391		392		999		
Appl. class	-										-				
PZD 1	E_STW1	E_ZSW1	E_STW1	BME_ZSW1	BM	CJ_STW1	CU_ZSW1	CJ_STW1	CU_ZSW1	CJ_STW1	CU_ZSW1				
PZD 2	<6>		IAIST	A_DIGITAL	E_DIGITAL	A_DIGITAL	E_DIGITAL	A_DIGITAL	E_DIGITAL			STW1	<3>	ZSW1	<3>
PZD 3	<6>		WARN_CODE			MT_STW	MT_ZSW	MT_STW	MT_ZSW			Input telegram length freely selectable by means of central PROFIdrive configuration in master <4> Send telegram length freely selectable by means of central PROFIdrive configuration in master <4>			
PZD 4	<6>		FAULT_CODE					MT1_ZS	F	MT1_ZS	F				
PZD 5	<6>						MT1_ZS	S	MT1_ZS	S					
PZD 6	<6>						MT2_ZS	F	MT2_ZS	F					
PZD 7	<6>						MT2_ZS	S	MT2_ZS	S					
PZD 8	<6>								MT3_ZS	F					
PZD 9	<6>								MT3_ZS	S					
PZD 10	<6>								MT4_ZS	F					
PZD 11	<6>								MT4_ZS	S					
PZD 12	<6>								MT5_ZS	F					
PZD 13	<6>								MT5_ZS	S					
PZD 14	<6>								MT6_ZS	F					
PZD 15	<6>								MT6_ZS	S					
PZD 16	<6>														
PZD 17	<6>														
PZD 18	<6>														
PZD 19	<6>														
PZD 20	<6>														
PZD 21	<6>														
PZD 22	<6>														
PZD 23	<6>														
PZD 24	<6>														
PZD 25	<6>														
PZD 26	<6>														
PZD 27	<6>														
PZD 28	<6>														
PZD 29	<6>														
PZD 30	<6>														
PZD 31	<6>														
PZD 32	<6>														

- <1> Depending on the drive object, only certain telegrams can be used.
- <2> When the setting of p0922 is changed from 999 to another value, the telegram is assigned automatically on the basis of [2420] to [2423].
When the setting of p0922 is changed to 999 from another value, the "old" telegram assignment defined by [2420] to [2423] remains valid!
- <3> For compliance with the PROFIdrive profile, PZD 1 must be used as control word 1 (STW1) or status word 1 (ZSW1).
If STW1 is not transferred with PZD 1 in compliance with the PROFIdrive profile, p2037 must be set to 2.
- <4> The maximum PZD number depends on the drive object type.
- <5> For SINAMICS S120/S150 only.
- <6> Freely interconnectable.

Figure 10-7 Overview of manufacturer-specific telegrams and process data, part 2/2

Depending on the drive object, only certain telegrams can be used:

Drive object	Telegrams (p0922)
A_INF	370, 371, 999
B_INF	370, 371, 999
S_INF	370, 371, 999
SERVO	1, 2, 3, 4, 5, 6, 102, 103, 105, 106, 116, 118, 220, 999
SERVO (EPOS)	7, 9, 110, 111, 999
VECTOR	1, 2, 3, 4, 20, 220, 352, 999
VECTOR (EPOS)	7, 9, 110, 111, 999
TM15DI/DO	No predefined telegram.
TM31	No predefined telegram.
TM41	3, 999
TB30	No predefined telegram.
CU_S	390, 391, 392, 999

Depending on the drive object, the following maximum number of process data items can be transmitted for user-defined telegram structures:

Drive object	Max. number of PZD for sending / receiving
• A_INF	Send 8, receive 5
• B_INF	Send 8, receive 5
• S_INF	Send 8, receive 5
• SERVO	Send 19, receive 16
• VECTOR	32
• TM15DI/DO	5
• TM31	5
• TM41	Send 19, receive 16
• TB30	5
• CU	Send 15, receive 5

Interface Mode

Interface Mode is used for adjusting the assignment of the control and status words in line with other drive systems and standardized interfaces.

The mode can be set as follows:

Value	Interface Mode
p2038 = 0	SINAMICS (factory setting)
p2038 = 1	SIMODRIVE 611 universal
p2038 = 2	VIK-NAMUR

Procedure:

1. Set p0922 ≠ 999.
2. p2038 = set required interface mode.

When telegrams 102, 103, 105, 106, 116, and 118 are set, Interface Mode is set by default (p2038 = 1) and cannot be changed.

When positioning telegrams 7, 9, 110, and 111 are set, Interface Mode is set by default (p2038 = 0) and cannot be changed.

When standard telegram 20 is set, Interface Mode is set by default (p2038 = 2) and cannot be changed.

When a telegram that specifies the Interface Mode (e.g. p0922 = 102) is changed to a different telegram (e.g. p0922 = 3), the setting in p2038 is retained.

Function diagrams (see SINAMICS S120/S150 List Manual)

- 2410 PROFIBUS address, diagnostic
- 2498 E_DIGITAL interconnection

10.1.3.2 Description of control words and setpoints

Note

This chapter describes the assignment and meaning of the process data in SINAMICS interface mode (p2038 = 0).

The reference parameter is also specified for the relevant process data. The process data are generally normalized in accordance with parameters p2000 to r2004.

The following scalings apply:

A temperature of 100°C = 100% and 0°C = 0%

An electrical angle of 90° = 100 % and 0° = 0%.

Overview of control words and setpoints

Table 10- 3 Overview of control words and setpoints, profile specific, see function diagram [2439]

Abbreviation	Name	Signal number	Data type ¹⁾	Interconnection parameters
STW1	Control word 1	1	U16	(bit serial) ²⁾
STW2	Control word 2	3	U16	(bit serial) ²⁾
NSOLL_A	Speed setpoint A (16-bit)	5	I16	p1155 p1070(ext. setpoint.)
NSOLL_B	Speed setpoint B (32-bit)	7	I32	p1155 p1070(ext. setpoint.) p1430(DSC)
G1_STW	Encoder 1 control word	9	U16	p0480[0]
G2_STW	Encoder 2 control word	13	U16	p0480[1]
G3_STW	Encoder 3 control word	17	U16	p0480[2]
A_DIGITAL	Digital outputs (16 bit)	22	U16	(bit serial)
XERR	Position deviation	25	I32	p1190
KPC	Position controller gain factor	26	I32	p1191
SATZANW	Block selection	32	U16	(bit serial)
MDI_TARPOS	MDI target position	34	I32	p2642
MDI_VELOCITY	MDI velocity	35	I32	p2643
MDI_ACC	MDI acceleration	36	I16	p2644
MDI_DEC	MDI delay	37	I16	p2645
MDI_MOD	MDI mode specification	38	U16	(bit serial)
<p>1) Data type according to PROFIdrive profile V4: I16 = Integer16, I32 = Integer32, U16 = Unsigned16, U32 = Unsigned32 2) Bit-serial interconnection: refer to the following pages</p>				

Table 10- 4 Overview of control words and setpoints, manufacturer specific, see function diagram [2440]

Abbreviation	Name	Signal number	Data type ¹⁾	Interconnection parameters
MOMRED	Torque reduction	101	I16	p1542
MT_STW	Measuring probe control word	130	U16	p0682
POS_STW	Position control word	203	U16	(bit serial)
OVERRIDE	Override in positioning mode	205	I16	p2646
POS_STW1	Position control word 1	220	U16	(bit serial)
POS_STW2	Position control word 2	222	U16	(bit serial)
MDI_MODE	MDI mode	229	U16	p2654
M_LIM	Torque limit	310	U16	P1503, p1552, p1554
M_ADD	Supplementary torque	311	U16	p1495
E_STW1	Control word 1, for Active Infeed (Active Line Module, Smart Line Module)	320	U16	(bit serial) ²⁾
STW1_BM	Control word 1, variant for metal industry (BM)	322	U16	(bit serial) ²⁾
STW2_BM	Control word 2, variant for metal industry (BM)	324	U16	(bit serial) ²⁾
E_STW1_BM	Control word 1, for Infeed, metal industry (Active Line Module, Basic Line Module, Smart Line Module)	326	U16	(bit serial) ²⁾
CU_STW1	Control word 1 for Control Unit	500	U16	(bit serial)

1) Data type according to PROFdrive profile V4:
 I16 = Integer16, I32 = Integer32, U16 = Unsigned16, U32 = Unsigned32
 2) Bit-serial interconnection: refer to the following pages

STW1 (control word 1)

See function diagram [2442]

Table 10- 5 Description of STW1 (control word 1)

Bit	Meaning	Remarks		BICO
0	ON/OFF1	0/1	ON Pulse enable possible	Bl: p0840
		0	OFF1 Braking with the ramp-function generator, then pulse suppression and switching on inhibited.	
1	OFF2	1	No OFF2 Enable possible	Bl: p0844
		0	Immediate pulse suppression and switching on inhibited	
Note: Control signal OFF2 is generated by ANDing Bl: p0844 and Bl: p0845.				
2	OFF3	1	No OFF3 Enable possible	Bl: p0848
		0	Quick stop (OFF3) Braking with OFF3 ramp p1135, then pulse suppression and switching on inhibited.	

Bit	Meaning	Remarks		BICO
	Note: Control signal OFF3 is generated by ANDing BI: p0848 and BI: p0849.			
3	Enable operation	1	Enable operation Pulse enable possible	BI: p0852, p1224.1 (with extended brake control only)
		0	Disable operation Cancel pulses	
4	Enable ramp-function generator	1	Operating condition Ramp-function generator enable possible	BI: p1140
		0	Inhibit ramp-function generator Set ramp-function generator output to zero	
5	Start ramp-function generator	1	Start ramp-function generator	BI: p1141
		0	Freeze ramp-function generator	
	Note: The ramp-function generator cannot be frozen via p1141 in jog mode (r0046.31 = 1).			
6	Enable speed setpoint	1	Enable setpoint	BI: p1142
		0	Inhibit setpoint Set ramp-function generator input to zero	
7	Acknowledge fault	0/1	Acknowledge fault	BI: p2103
		0	No effect	
	Note: Faults are acknowledged at a 0/1 edge via BI: p2103 or BI: p2104 or BI: p2105.			
8	Reserved	-	-	-
9	Reserved	-	-	-
10	Master control by PLC	1	Master control by PLC This signal must be set so that the process data transferred via PROFIdrive are accepted and become effective.	BI: p0854
		0	PLC has no master control Process data transferred via PROFIdrive are rejected - i.e. assumed to be zero.	
	Note: This bit should not be set to "1" until the PROFIdrive has returned an appropriate status via ZSW1.9 = "1".			
11	Direction reversal	1	Direction reversal	BI: p1113
		0	No direction reversal	
12	Reserved			
13	Motorized potentiometer, setpoint, raise	1	Motorized potentiometer, setpoint, raise	BI: p1035
		0	Motorized potentiometer setpoint raise not selected	
14	Motorized potentiometer, setpoint, lower	1	Motorized potentiometer, setpoint, lower	BI: p1036
		0	Motorized potentiometer setpoint lower not selected	
	Note: If motorized potentiometer setpoint raise and lower are 0 or 1 simultaneously, the current setpoint is frozen.			
15	Reserved	-	-	-

STW1 (control word 1), positioning mode, p0108.4 = 1

See function diagram [2475]

Table 10- 6 Description of STW1 (control word 1), positioning mode

Bit	Meaning	Remarks		BICO
0	ON/OFF1	0/1	ON Pulse enable possible	Bl: p0840
		0	OFF1 Braking with the ramp-function generator, then pulse suppression and switching on inhibited.	
1	OFF2	1	No OFF2 Enable possible	Bl: p0844
		0	OFF2 Immediate pulse suppression and switching on inhibited	
Note: Control signal OFF2 is generated by ANDing Bl: p0844 and Bl: p0845.				
2	OFF3	1	No OFF3 Enable possible	Bl: p0848
		0	Quick stop (OFF3) Braking with OFF3 ramp p1135, then pulse suppression and switching on inhibited.	
Note: Control signal OFF3 is generated by ANDing Bl: p0848 and Bl: p0849.				
3	Enable operation	1	Enable operation Pulse enable possible	Bl: p0852
		0	Disable operation Cancel pulses	
4	Reject traversing task	1	Do not reject traversing task	Bl: p2641
		0	Reject traversing task	
5	Intermediate stop	1	No intermediate stop	Bl: p2640
		0	Intermediate stop	
6	Activate traversing task	0/1	Enable setpoint	Bl: p2631, p2650
		0	No effect	
Note: The interconnection p2649 = 0 is also made.				
7	Acknowledge fault	0/1	Acknowledge fault	Bl: p2103
		0	No effect	
8	Jog 1	1	Jog 1 ON See also the SINAMICS S List Manual, function diagram 3610	Bl: p2589
		0	No effect	
9	Jog 2	1	Jog 2 ON See also the SINAMICS S List Manual, function diagram 3610	Bl: p2590
		0	No effect	

Bit	Meaning	Remarks		BICO
10	Master control by PLC	1	Control by PLC This signal must be set so that the process data transferred via PROFIdrive are accepted and become effective.	Bl: p0854
		0	No control by PLC Process data transferred via PROFIdrive are rejected - i.e. assumed to be zero.	
		Note: This bit should not be set to "1" until the PROFIdrive has returned an appropriate status via ZSW1.9 = "1".		
11	Start referencing	1	Start referencing	Bl: p2595
		0	Stop referencing	
12	Reserved	-	-	-
13	External block change	0/1	External set change is initiated	Bl: p2633
		0	No effect	
14	Reserved	-	-	-
15	Reserved	-	-	-

STW2 (control word 2)

See function diagram [2444]

Table 10- 7 Description of STW2 (control word 2)

Bit	Meaning	Remarks		BICO
0	Drive data set selection DDS bit 0	-	Drive data set selection (5 bit counter)	Bl: p0820[0]
1	Drive data set selection DDS bit 1	-		Bl: p0821[0]
2	Drive data set selection DDS bit 2	-		Bl: p0822[0]
3	Drive data set selection DDS bit 3	-		Bl: p0823[0]
4	Drive data set selection DDS bit 4	-		Bl: p0824[0]
5...6	Reserved	-	-	-
7	Parking axis	1	Request parking axis (handshake with ZSW2 bit 7)	Bl: p0897
		0	No request	
8	Travel to fixed stop (not with telegrams 9, 110)	1	Select "Travel to fixed stop" The signal must be set before the fixed stop is reached.	Bl: p1545
		1/0	Deselect "Travel to fixed stop" The signal must be set before the fixed stop is reached	
9	Reserved	-	-	-
10	Reserved	-	-	-
11	Motor changeover	0/1	Motor changeover complete	Bl: p0828[0]
		0	No effect	

Bit	Meaning	Remarks		BICO
12	Master sign of life bit 0	-	User data integrity (4-bit counter)	Cl: p2045
13	Master sign of life bit 1	-		
14	Master sign of life bit 2	-		
15	Master sign of life bit 3	-		

STW1_BM (control word 1, metal industry)

See function diagram [2425].

Table 10- 8 Description of STW1_BM (control word 1, metal industry)

Bit	Meaning	Remarks		BICO
0	ON/OFF1	0/1	ON Pulse enable possible	Bl: p0840
		0	OFF1 Braking with the ramp-function generator, then pulse suppression and switching on inhibited	
1	OFF2	1	No OFF2 Enable possible	Bl: p0844
		0	Immediate pulse suppression and switching on inhibited	
Note: Control signal OFF2 is generated by ANDing Bl: p0844 and Bl: p0845.				
2	OFF3	1	No OFF3 Enable possible	Bl: p0848
		0	Quick stop (OFF3) Braking with OFF3 ramp p1135, then pulse suppression and switching on inhibited.	
Note: Control signal OFF3 is generated by ANDing Bl: p0848 and Bl: p0849.				
3	Enable operation	1	Enable operation Pulse enable possible	Bl: p2816.0
		0	Disable operation Cancel pulses	
4	Enable ramp-function generator	1	Operating condition Ramp-function generator enable possible	Bl: p1140
		0	Inhibit ramp-function generator Set ramp-function generator output to zero	
5	Restart ramp-function generator	1	Restart ramp-function generator	Bl: p1141
		0	Freeze ramp-function generator	
Note: The ramp-function generator cannot be frozen via p1141 in jog mode (r0046.31 = 1).				
6	Enable speed setpoint	1	Enable setpoint	Bl: p1142
		0	Inhibit setpoint Set ramp-function generator input to zero	
7	Acknowledge fault	0/1	Acknowledge fault	Bl: p2103
		0	No effect	
Note: Faults are acknowledged at a 0/1 edge via Bl: p2103 or Bl: p2104 or Bl: p2105.				

Bit	Meaning	Remarks		BICO
8	Reserved	-	-	-
9	Reserved	-	-	-
10	Master control by PLC	1	Master control by PLC This signal must be set so that the process data transferred via PROFIdrive are accepted and become effective.	BI: p0854
		0	PLC has no master control Process data transferred via PROFIdrive are rejected - i.e. assumed to be zero.	
Note: This bit should not be set "1" until PROFIdrive has returned an appropriate status via ZSW1_BM.9 = "1".				
11 ... 15	Reserved	-	-	-

STW2_BM (control word 2, metal industry)

See function diagram [2426].

Table 10-9 Description of STW2_BM (control word 2, metal industry)

Bit	Meaning	Remarks		BICO
0	Drive data set selection CDS bit 0	-	-	p0810
1	Drive data set selection CDS bit 1	-	-	p0811
2	Motor data set selection DDS bit 0	-	-	p0820
3	Motor data set selection DDS bit 1	-	-	p0821
4	Motor data set selection DDS bit 2	-	-	p0822
5	Bypass ramp-function generator	1	Function module "Extended setpoint generator" must be selected	p1122
6	Reserved	-	-	-
7	Enable load compensation	1	Set speed controller I component	p1477
8	Enable droop	1	Set scaling for droop feedback (not applicable to servo)	p1492
9	Enable speed controller (incl. brake)	1	Enable the speed controller and the brake. Controller enable via r2093.9. Parameter p0856 remains freely interconnectable for "extended brake control".	p0856, p2093.9
10	Reserved	-	-	-
11	Speed/torque-controlled operation	1	Slave drive torque control Set the signal source for switchover between speed and torque control	p1501
12	Reserved	-	-	-
13	Reserved	-	-	-
14	Reserved	-	-	-
15	Controller sign of life toggle bit	1	Toggle bit communication active	r2081.15
		0	Toggle bit communication not active	

NSOLL_A (speed setpoint A (16-bit))

- Speed setpoint with a 16-bit resolution with sign bit.
- Bit 15 determines the sign of the setpoint:
 - Bit = 0 --> positive setpoint
 - Bit = 1 --> negative setpoint
- The speed is normalized via p2000.
NSOLL_A = 4000 hex or 16384 dec $\hat{=}$ speed in p2000

NSOLL_B (speed setpoint B (32-bit))

- Speed setpoint with a 32-bit resolution with sign bit.
- Bit 31 determines the sign of the setpoint:
 - Bit = 0 --> positive setpoint
 - Bit = 1 --> negative setpoint
- The speed is normalized via p2000.
NSOLL_B = 4000 0000 hex or 1 073 741 824 dec $\hat{=}$ speed in p2000

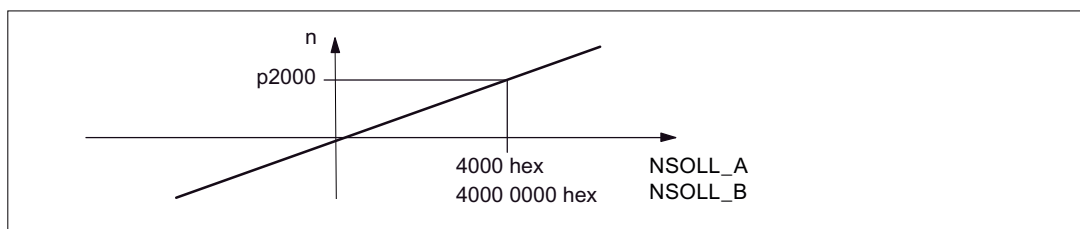


Figure 10-8 Normalization of speed

Gn_STW (encoder n control word)

This process data belongs to the encoder interface.

A_DIGITAL
MT_STW
CU_STW1

These process data are part of the central process data.

XERR (position deviation)

The position deviation for dynamic servo control (DSC) is transmitted via this setpoint.

The format of XERR is identical to the format of G1_XIST1.

KPC (position controller gain factor)

The position controller gain factor for dynamic servo control (DSC) is transmitted via this setpoint.

Transmission format: KPC is transmitted in the unit 0.001 1/s.

Range of values: 0 to 4000.0

Special case: When KPC = 0, the "DSC" function is deactivated.

Example:

A2C2A hex \doteq 666666 dec \doteq KPC = 666.666 1/s \doteq KPC = 40 1000/min.

MOMRED (torque reduction)

This setpoint can be used to reduce the torque limit currently active on the drive.

When you use manufacturer-specific PROFIdrive telegrams with the MOMRED control word, the signal flow is automatically interconnected up to the point where the torque limit is scaled.

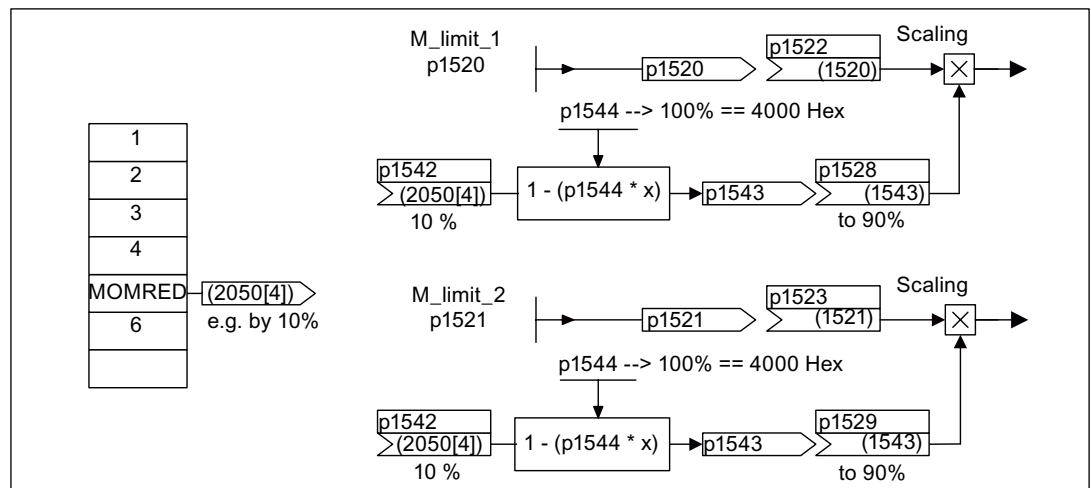


Figure 10-9 MOMRED setpoint

MOMRED specifies the percentage by which the torque limit is to be reduced. This value is converted internally to the amount by which the torque is to be reduced and normalized via p1544.

SATZANW (positioning mode, p0108.4 =1)

See function diagram [2476]

Table 10- 10 Description of BLOCKSEL (positioning mode, p0108.4 =1)

Bit	Meaning	Remarks		BICO
0	1 = block selection, bit 0 (2 ⁰)	Block selection		Bl: p2625
1	1 = block selection, bit 1 (2 ¹)	Traversing block 0 to 63		Bl: p2626
2	1 = block selection, bit 2 (2 ²)			Bl: p2627
3	1 = block selection, bit 3 (2 ³)			Bl: p2628
4	1 = block selection, bit 4 (2 ⁴)			Bl: p2629
5	1 = block selection, bit 5 (2 ⁵)			Bl: p2630
6 ... 14	Reserved	-	-	-
15	Activate MDI	1	Activate MDI	p2647
		0	De-activate MDI	

Note:
See also: SINAMICS S120 Function Manual, section "Basic positioner"

POS_STW (positioning mode, r0108.4 = 1)

See function diagram [2477]

Table 10- 11 Description of POS_STW (positioning mode, p0108.4 = 1)

Bit	Meaning	Remarks		BICO
0	Tracking mode	1	Activate tracking mode	Bl: 2655
		0	Tracking mode de-activated	
1	Set reference point	1	Set reference point	Bl: 2596
		0	Do not set reference point	
2	Reference cam	1	Reference cam active	Bl: 2612
		0	Reference cam not active	
3...4	Reserved	-	-	-
5	Jog, incremental	1	Jog incremental active	Bl: 2591
		0	Jog velocity active	
6 ... 15	Reserved	-	-	-

Note:
See also: SINAMICS S120 Function Manual, section "Basic positioner"

POS_STW1 (control word 1, positioning mode, r0108.4 = 1)

See function diagram [2463].

Table 10- 12 Description of POS_STW1 (control word 1)

Bit	Meaning	Remarks		BICO		
0	EPOS traversing block selection bit 0	Traversing block selection		Bl: p2625		
1	EPOS traversing block selection bit 1			Bl: p2626		
2	EPOS traversing block selection bit 2			Bl: p2627		
3	EPOS traversing block selection bit 3			Bl: p2628		
4	EPOS traversing block selection bit 4			Bl: p2629		
5	EPOS traversing block selection bit 5			Bl: p2630		
6...7	Reserved	-	-	-		
8	EPOS direct setpoint input/MDI positioning type Set the signal source for the positioning type in mode "Direct setpoint input/MDI".	1	Absolute positioning is selected.	Bl: p2648		
		0	Relative positioning is selected.			
9	EPOS direct setpoint input/MDI, positive direction selection	0/0 1/0 0/1 1/1	During "set-up": If both directions (p2651, p2652) are selected or deselected, the axis remains stationary. During "positioning": Bl: p2651 / Bl: p2652 Position absolutely via shortest route. Position absolutely in the positive direction. Position absolutely in the negative direction. Position absolutely via shortest route.	Bl: p2651		
10	EPOS direct setpoint input/MDI, negative direction selection			Bl: p2652		
11	Reserved			-	-	-
12	EPOS direct setpoint input/MDI, acceptance method selection Set the signal source for the method of accepting values in mode "Direct setpoint input/MDI".			1	Continuous acceptance of values The description in LH7 should be taken into account.	Bl: p2649
		0	Values are only accepted when Bl: p2650 = 0/1 signal (rising edge).			
13	Reserved	-	-	-		
14	EPOS direct setpoint input/MDI, setup selection Set the signal source for set-up in mode "Direct setpoint input/MDI".	1	Set-up selected.	Bl: p2653		
		0	Positioning selected.			
15	EPOS direct setpoint input/MDI selection Set the signal source for the selection of mode "Direct setpoint input/MDI".	-	-	Bl: p2647		

POS_STW2 (control word 2, positioning mode, r0108.4 = 1)

See function diagram [2464]

Table 10- 13 Description of POS_STW2 (control word 2, positioning mode, p0108.4 = 1)

Bit	Meaning	Remarks		BICO
0	Tracking mode	1	Activate tracking mode	Bl: p2655
		0	Tracking mode de-activated	
1	Set reference point	1	Set reference point	Bl: p2596
		0	Do not set reference point	
2	Reference cam	1	Reference cam active	Bl: p2612
		0	Reference cam not active	
3	Reserved	-	-	-
4	Reserved	-	-	-
5	Jog, incremental	1	Jog incremental active	Bl: p2591
		0	Jog velocity active	
6	Reserved	-	-	-
7	Reserved	-	-	-
8	Reference type selection	1	Flying referencing	Bl: p2597
		0	Reference point approach	
9	Reference point approach start direction	1	Start in negative direction	Bl: p2604
		0	Start in positive direction	
10	LR measuring probe evaluation, selection Set the signal source for selection of the measuring probe.	1	Measuring probe 2 is activated when Bl: p2509 = 0/1 edge.	Bl: p2510
		0	Measuring probe 1 is activated when Bl: p2509 = 0/1 edge.	
11	LR measuring probe evaluation edge Set the signal source for edge evaluation of the measuring probe.	1	Falling edge of measuring probe (p2510) is activated when Bl: p2509 = 0/1 edge.	Bl: p2511
		0	Rising edge of measuring probe (p2510) is activated when Bl: p2509 = 0/1 edge.	
12	Reserved	-	-	-
13	Reserved	-	-	-
14	EPOS software limit switch activation Set the signal source for activation of "Software limit switches".	1	Axis is referenced (r2684.11 = 1) and Bl: p2582 = 1 signal.	Bl: p2582
		0	Software limit switches inoperative: - Modulo offset active (Bl: p2577 = 1 signal). - Reference point approach is executed.	
15	EPOS STOP cam activation Set the signal source for activation of "STOP cams".	1	Bl: p2568 = 1 signal --> Evaluation of the STOP cam minus (Bl: p2569) and STOP cam plus (Bl: p2570) is active.	Bl: p2568
		0	Evaluation of STOP cams is not active	
Note: See also: SINAMICS S120 Function Manual, section "Basic positioner"				

OVERRIDE (Pos Velocity Override)

This process data defines the percentage for the velocity override.

Normalization: 4000 hex (16384 dec) = 100 %

Range of values: 0 ... 7FFF hex

Values outside this range are interpreted as 0%.

MDI_TARPOS (MDI position)

This process data defines the position for MDI sets.

Normalization: 1 corresponds to 1 LU

MDI_VELOCITY (MDI velocity)

This process data defines the velocity for MDI sets.

Normalization: 1 corresponds to 1000 LU/min

MDI_ACC (MDI acceleration)

This process data defines the acceleration for MDI sets.

Normalization: 4000 hex (16384 dec) = 100 %

The value is restricted to 0.1 ... 100% internally.

MDI_DEC (MDI deceleration override)

This process data defines the percentage for the deceleration override for MDI sets.

Normalization: 4000 hex (16384 dec) = 100 %

The value is restricted to 0.1 ... 100% internally.

MDI_MOD

For a detailed table see function diagram [2480].

Table 10- 14 Signal targets for MDI_MOD (positioning mode, r0108.4 = 1)

Bit	Meaning				Interconnection parameter
0	0= Absolute positioning 1= Relative positioning				p2648=r2094.0
1	0 = Absolute positioning for modulo axes via the shortest route				p2651=r2094.1
2	1 = Absolute positioning for modulo axes in positive direction 2 = Absolute positioning for modulo axes in negative direction 3 = Absolute positioning for modulo axes via the shortest route				p2652=r2094.2

Bit	Meaning				Interconnection parameter
3..... ...15	Reserved	-	-	-	-

MDI_MODE

This process data defines the mode for MDI sets.

Precondition: p2654 > 0

MDI_MODE = xx0x hex → Absolute

MDI_MODE = xx1x hex → Relative

MDI_MODE = xx2x hex → Abs_pos (with modulo offset only)

MDI_MODE = xx3x hex → Abs_neg (with modulo offset only)

E_STW1 (control word for infeeds)

See function diagram [2447].

Table 10- 15 Description of E_STW1 (control word for infeeds)

Bit	Meaning	Remarks		BICO
0	ON/OFF1	0/1	ON Pulse enable possible	Bl: p0840
		0	OFF1 Reduce DC link voltage via ramp (p3566), followed by pulse inhibit/line contactor open	
1	OFF2	1	No OFF2 Enable possible	Bl: p0844
		0	OFF2 Immediate pulse suppression and switching on inhibited	
Note: Control signal OFF2 is generated by ANDing Bl: p0844 and Bl: p0845.				
2	Reserved	-	-	-
3	Enable operation	1	Enable operation Pulse enable is present	Bl: p0852
		0	Disable operation Pulse inhibit is present	
4	Reserved	-	-	-
5	Inhibit motor operation	1	Inhibit motor operation Motoring operation as step-up converter is inhibited.	Bl: p3532
		0	Enable motor operation Motoring operation as step-up converter is enabled.	
Note: When "Inhibit motoring operation" is present, power can still be drawn from the DC link. The DC link voltage is then no longer controlled. The voltage level is the same as the rectified value of the current line voltage.				

Bit	Meaning	Remarks		BICO
6	Inhibit regenerating	1	Inhibit regenerative operation Regenerative operation is inhibited.	Bl: p3533
		0	Enable regenerative operation Regenerative operation is enabled.	
Note: If regenerative operation is inhibited and power is fed to the DC link (e.g. by braking the motor), the DC link voltage increases (F30002).				
7	Acknowledge error	0/1	Acknowledge error	Bl: p2103
		Note: Faults are acknowledged at a 0/1 edge via Bl: p2103 or Bl: p2104 or Bl: p2105.		
8...9	Reserved	-	-	-
10	Master control by PLC	1	Control by PLC This signal must be set so that the process data transferred via PROFIdrive are accepted and become effective.	Bl: p0854
		0	No control by PLC Process data transferred via PROFIdrive are rejected - i.e. assumed to be zero.	
Note: This bit should not be set to "1" until PROFIdrive has returned an appropriate status via E_ZSW1.9 = "1".				
11...15	Reserved	-	-	-

E_STW1_BM (control word for infeeds, metal industry)

See function diagram [2427].

Table 10- 16 Description of E_STW1_BM (control word for infeeds, metal industry)

Bit	Meaning	Remarks		BICO
0	ON/OFF1	0/1	ON Pulse enable possible	Bl: p0840
		0	OFF1 Reduce DC link voltage via ramp (p3566), followed by pulse inhibit/line contactor open	
1	OFF2	1	No OFF2 Enable possible	Bl: p0844
		0	OFF2 Immediate pulse suppression and switching on inhibited	
Note: Control signal OFF2 is generated by ANDing Bl: p0844 and Bl: p0845.				
2	Reserved	-	-	-
3	Enable operation	1	Enable operation Pulse enable is present	Bl: p0852
		0	Disable operation Pulse inhibit is present	
4...6	Reserved	-	-	-

10.1 Communication according to PROFdrive

Bit	Meaning	Remarks		BICO
7	Acknowledge error	0/1	Acknowledge error	Bl: p2103
Note: Faults are acknowledged at a 0/1 edge via Bl: p2103 or Bl: p2104 or Bl: p2105.				
8...9	Reserved	-	-	-
10	Control by PLC	1	Control by PLC This signal must be set so that the process data transferred via PROFdrive are accepted and become effective.	Bl: p0854
		0	No control by PLC Process data transferred via PROFdrive are rejected - i.e. assumed to be zero.	
Note: This bit should not be set "1" until PROFdrive has returned an appropriate status via E_ZSW_BM.9 = "1".				
11...14	Reserved	-	-	-
15	Controller sign of life toggle bit	1	Toggle bit communication active	r2081.15
		0	Toggle bit communication not active	

M_ADD

Supplementary torque with telegram 220 (metal industry).

M_LIM

Torque limit with telegram 220 (metal industry).

Not available in V/f control mode.

10.1.3.3 Description of status words and actual values

Description of status words and actual values

Note

This chapter describes the assignment and meaning of the process data in SINAMICS interface mode (p2038 = 0).

The reference parameter is also specified for the relevant process data. The process data are generally normalized in accordance with parameters p2000 to r2004.

The following scalings apply:
 a temperature of 100°C = 100%
 an electrical angle 90° also = 100 %.

Overview of status words and actual values

Table 10- 17 Overview of status words and actual values, profile specific, see function diagram [2449]

Abbreviation	Name	Signal number	Data type ¹⁾	Interconnection parameter
ZSW1	Status word 1	2	U16	r2089[0]
ZSW2	Status word 2	4	U16	r2089[1]
NACT_A	Speed setpoint A (16 bit)	6	I16	r0063 (servo) r0063[0] (vector)
NACT_B	Speed setpoint B (32 bit)	8	I32	r0063 (servo) r0063[0] (vector)
G1_ZSW	Encoder 1 status word	10	U16	r0481[0]
G1_XIST1	Encoder 1 actual position value 1	11	U32	r0482[0]
G1_XIST2	Encoder 1 actual position value 2	12	U32	r0483[0]
G2_ZSW	Encoder 2 status word	14	U16	r0481[1]
G2_XIST1	Encoder 2 actual position value 1	15	U32	r0482[1]
G2_XIST2	Encoder 2 actual position value 2	16	U32	r0483[1]
G3_ZSW	Encoder 3 status word	18	U16	r0481[2]
G3_XIST1	Encoder 3 actual position value 1	19	U32	r0482[2]
G3_XIST2	Encoder 3 actual position value 2	20	U32	r0483[2]
E_DIGITAL	Digital input (16Bit)	21	U16	r2089[2]
XIST_A	Actual position value A	28	I32	r2521[0]
AKTSATZ	EPOS selected block	33	U16	r2670
IAIST_GLATT	Output current smoothed	51	I16	r0068[1]
ITIST_GLATT	Active current smoothed	52	I16	r0078[1]
MIST_GLATT	Torque actual value, smoothed	53	I16	r0080[1]
PIST_GLATT	Actual active power, smoothed	54	I16	r0082[1]
NIST_A_GLATT	Actual speed A (16 bit), smoothed	57	I16	r0063[1]
MELD_NAMUR	NAMUR message bit bar	58	U16	r3113
IAIST	Output current actual value	59	I16	r0068[0]
MIST	Actual torque value	60	I16	r0080[0]
1) Data type according to PROFIdrive profile V4: I16 = Integer16, I32 = Integer32, U16 = Unsigned16, U32 = Unsigned32 2) Bit-serial interconnection: Refer to the following pages, r2089 via binector-connector converter				

Table 10- 18 Overview of status words and actual values, manufacturer specific, see function diagram [2450]

Abbreviation	Name	Signal number	Data type ¹⁾	Interconnection parameter
MELDW	Message word	102	U16	r2089[2]
MSOLL_GLATT	Torque setpoint, smoothed	120	I16	r0079[1]
AIST_GLATT	Torque utilization smoothed	121	I16	r0081

Abbreviation	Name	Signal number	Data type ¹⁾	Interconnection parameter
MT_ZSW	Probe status word	131	U16	r0688
MT1_ZS_F	Probe 1 time stamp, falling edge	132	U16	r0687[0]
MT1_ZS_S	Probe 1 time stamp, rising edge	133	U16	r0686[0]
MT2_ZS_F	Probe 2 time stamp, falling edge	134	U16	r0687[1]
MT2_ZS_S	Probe 2 time stamp, rising edge	135	U16	r0686[1]
MT3_ZS_F	Probe 3 time stamp, falling edge	136	U16	r0687[2]
MT3_ZS_S	Probe 3 time stamp, rising edge	137	U16	r0686[2]
MT4_ZS_F	Probe 4 time stamp, falling edge	138	U16	r0687[3]
MT4_ZS_S	Probe 4 time stamp, rising edge	139	U16	r0686[3]
MT5_ZS_F	Probe 5 time stamp, falling edge	140	U16	r0687[4]
MT5_ZS_S	Probe 5 time stamp, rising edge	141	U16	r0686[4]
MT6_ZS_F	Probe 6 time stamp, falling edge	142	U16	r0687[5]
MT6_ZS_S	Probe 6 time stamp, rising edge	143	U16	r0686[5]
POS_ZSW	Positioning status word	204	U16	r2683
POS_ZSW1	Position status word 1	221	U16	r2089[3]
POS_ZSW2	Position status word 2	223	U16	r2089[4]
FAULT_CODE	Fault code	301	U16	r2131
WARN_CODE	Alarm code	303	U16	r2132
E_ZSW1	Status word 1, for Active Infeed (Active Line Module, Smart Line Module)	321	U16	r2089[1]
ZSW1_BM	Status word 1, variant for metal industry (BM)	323	U16	r2089[0]
ZSW2_BM	Status word 2, variant for metal industry (BM)	325	U16	r2089[1]
E_ZSW1_BM	Status word 1 for infeed, variant for metal industry (Basic Line Module, Smart Line Module, Active Line Module)	327	U16	r2080
CU_ZSW1	Status word 1 for Control Unit	501	U16	r2089[1]

1) Data type according to PROFIdrive profile V4:
 I16 = Integer16, I32 = Integer32, U16 = Unsigned16, U32 = Unsigned32
 2) Bit-serial interconnection: Refer to the following pages, r2089 via binector-connector converter

ZSW1 (status word 1)

See function diagram [2452]

Table 10- 19 Description of ZSW1 (status word 1)

Bit	Meaning	Remarks		BICO
0	Ready for switching on	1	Ready for switching on Power supply on, electronics initialized, line contactor released if necessary, pulses inhibited.	BO: r0899.0
		0	Not ready for switching on	
1	Ready for operation	1	Ready for operation Voltage at Line Module (i.e. line contactor closed (if used)), field being built up.	BO: r0899.1

Bit	Meaning	Remarks		BICO
		0	Not ready for operation Reason: No ON command has been issued.	
2	Operation enabled	1	Operation enabled Enable electronics and pulses, then ramp up to active setpoint.	BO: r0899.2
		0	Operation inhibited	
3	Fault active	1	Fault active The drive is faulty and, therefore, out of service. The drive switches to "switching on inhibited" once the fault has been acknowledged and the cause has been remedied. The active faults are stored in the fault buffer.	BO: r2139.3
		0	No fault present No active fault in the fault buffer.	
4	Coasting active (OFF2)	1	No OFF2 active	BO: r0899.4
		0	Coasting active (OFF2) An OFF2 command is active.	
5	Quick stop active (OFF3)	1	No OFF3 active	BO: r0899.5
		0	Quick stop active (OFF3) An OFF3 command is active.	
6	Switching on inhibited	1	Switching on inhibited A restart is only possible by means of OFF1 and then ON.	BO: r0899.6
		0	No "switching on inhibited" Power-up is possible.	
7	Alarm present	1	Alarm present The drive is operational again. No acknowledgement necessary. The active alarms are stored in the alarm buffer.	BO: r2139.7
		0	No alarm present No active alarm in the alarm buffer.	
8	Speed setpoint-actual value deviation within tolerance band	1	Setpoint-actual value monitoring within tolerance band Actual value within a tolerance band; dynamic overshoot or undershoot for $t < t_{max}$ permissible, e.g. $n = n_{set} \pm$ $f = f_{set} \pm$, etc., t_{max} can be parameterized	BO: r2197.7
		0	Setpoint/actual value monitoring not within tolerance band	
9	Control request to PLC	1	Control requested The PLC is requested to assume control. Condition for applications with isochronous mode: drive synchronized with PLC system.	BO: r0899.9
		0	Local operation Control only possible on device	
10	f or n comparison value reached or exceeded	1	f or n comparison value reached or exceeded.	BO: r2199.1
		0	f or n comparison value not reached.	

10.1 Communication according to PROFdrive

Bit	Meaning	Remarks		BICO
	Note: The message is parameterized as follows: p2141 Threshold value p2142 Hysteresis			
11	I, M or P limit reached or exceeded	1	I, M or P limit not reached	BO: r1407.7
		0	I, M or P limit reached or exceeded	
12	Holding brake open	1	Holding brake opened	BO: r0899.12
		0	Holding brake closed	
13	No motor overtemperature alarm	1	Motor overtemperature alarm not active	BO: r2135.14
		0	Motor overtemperature alarm active	
14	n_act >= 0	1	Actual speed > = 0	BO: r2197.3
		0	Actual speed < 0	
15	Alarm, drive converter thermal overload	1	No alarm present	BO: r2135.15
		0	Alarm, converter thermal overload The overtemperature alarm for the converter is active.	

ZSW1 (status word 1, positioning mode, p0108.4 = 1)

See function diagram [2479]

*Valid for p0922 = 111 (telegram 111).

For p0922 = 110 (telegram 110): Bits 14 and 15 reserved.

Table 10- 20 Description of ZSW1 (status word 1, positioning mode)

Bit	Meaning	Remarks		BICO
0	Ready for switching on	1	Ready for switching on Power supply on, electronics initialized, line contactor released if necessary, pulses inhibited.	BO: r0899.0
		0	Not ready for switching on	
1	Ready for operation	1	Ready for operation Voltage at Line Module (i.e. line contactor closed (if used)), field being built up.	BO: r0899.1
		0	Not ready for operation Reason: No ON command has been issued.	
2	Operation enabled	1	Operation enabled Enable electronics and pulses, then ramp up to active setpoint.	BO: r0899.2
		0	Operation inhibited	
3	Fault active	1	Fault active The drive is faulty and, therefore, out of service. The drive switches to "switching on inhibited" once the fault has been acknowledged and the cause has been remedied. The active faults are stored in the fault buffer.	BO: r2139.3
		0	No fault present No active fault in the fault buffer.	

Bit	Meaning	Remarks		BICO
4	Coasting active (OFF2)	1	No OFF2 active	BO: r0899.4
		0	Coasting active (OFF2) An OFF2 command is active.	
5	Quick stop active (OFF3)	1	No OFF3 active	BO: r0899.5
		0	Quick stop active (OFF3) An OFF3 command is active.	
6	Switching on inhibited	1	Switching on inhibited A restart is only possible by means of OFF1 and then ON.	BO: r0899.6
		0	No "switching on inhibited" Power-up is possible.	
7	Alarm present	1	Alarm present The drive is operational again. No acknowledgement necessary. The active alarms are stored in the alarm buffer.	BO: r2139.7
		0	No alarm present No active alarm in the alarm buffer.	
8	Following error within the tolerance range	1	Setpoint-actual value monitoring within tolerance band Actual value within a tolerance bandwidth; The tolerance bandwidth can be parameterized.	BO: r2684.8
		0	Setpoint/actual value monitoring not within tolerance band	
9	Control request to PLC	1	Control requested The PLC is requested to assume control. Condition for applications with isochronous mode: drive synchronized with PLC system.	BO: r0899.9
		0	Local operation Control only possible on device	
10	Target position reached	1	Target position reached	BO: r2684.10
		0	Target position not reached	
11	Reference point set	1	Reference point set	BO: r2684.11
		0	Reference point not set	
12	Acknowledgement, traversing block activated	0/1	Acknowledgement, traversing block	BO: r2684.12
		0	No effect	
13	Drive at standstill	1	Drive at standstill	BO: r2199.0
		0	Drive not at standstill	
14*	Axis accelerating (telegram 111)	1	Axis is accelerating.	BO: r2684.4
		0	Axis is not accelerating.	
15*	Axis decelerating (telegram 111)	1	Axis is decelerating.	BO: r2684.5
		0	Axis is not decelerating.	

ZSW2 (status word 2)

See function diagram [2454]

Table 10- 21 Description of ZSW2 (status word 2)

Bit	Meaning		Remarks	BICO
0	DDS eff., bit 0	–	Drive data set effective (5-bit counter)	BO: r0051.0
1	DDS eff., bit 1	–		BO: r0051.1
2	DDS eff., bit 2	–		BO: r0051.2
3	DDS eff., bit 3	–		BO: r0051.3
4	DDS eff., bit 4	–		BO: r0051.4
5	Alarm class bit 0	–	Bits 5-6: Alarm stage of SINAMICS drives, transferred as attribute in alarm message value = 0: Alarm (previous alarm stage) value = 1: Alarm class A value = 2: Alarm class B value = 3: Alarm class C	BO: r2139.11
6	Alarm class bit 1	–		BO: r2139.12
7	Parking axis	1	Axis parking active	BO: r0896.0
		0	Axis parking not active	
8	Travel to fixed stop	1	Travel to fixed stop	BO: r1406.8
		0	No travel to fixed stop	
9, 10	Reserved	–	–	–
11	Data set changeover	1	Data record changeover active	BO: r0835.0
		0	No data set changeover active	
12	Slave sign of life bit 0	–	User data integrity (4-bit counter)	Implicitly interconnected
13	Slave sign of life bit 1	–	–	–
14	Slave sign of life bit 2	–	–	–
15	Slave sign of life bit 3	–	–	–

ZSW1_BM (status word 1, metal industry)

See function diagram [2428].

Table 10- 22 Description of ZSW1_BM (status word 1, metal industry)

Bit	Meaning		Remarks	BICO
0	Ready for switching on	1	Ready for switching on Power supply on, electronics initialized, line contactor released if necessary, pulses inhibited.	BO: r0899.0
		0	Not ready for switching on	
1	Ready for operation	1	Ready for operation Voltage at Line Module (i.e. line contactor closed (if used)), field being built up.	BO: r0899.1
		0	Not ready for operation Reason: No ON command has been issued.	

Bit	Meaning	Remarks		BICO
2	Operation enabled	1	Operation enabled Enable electronics and pulses, then ramp up to active setpoint.	BO: r0899.2
		0	Operation inhibited	
3	Fault active	1	Fault active The drive is faulty and, therefore, out of service. The drive switches to "switching on inhibited" once the fault has been acknowledged and the cause has been remedied. The active faults are stored in the fault buffer.	BO: r2139.3
		0	No fault present No active fault in the fault buffer.	
4	Coasting active (OFF2)	1	No OFF2 active	BO: r0899.4
		0	Coasting active (OFF2) An OFF2 command is active.	
5	Quick stop active (OFF3)	1	No OFF3 active	BO: r0899.5
		0	Quick stop active (OFF3) An OFF3 command is active.	
6	Switching on inhibited	1	Switching on inhibited A restart is only possible by means of OFF1 and then ON.	BO: r0899.6
		0	No "switching on inhibited" Power-up is possible.	
7	Alarm present	1	Alarm present The drive is operational again. No acknowledgement necessary. The active alarms are stored in the alarm buffer.	BO: r2139.7
		0	No alarm present No active alarm in the alarm buffer.	
8	Speed setpoint-actual value deviation within tolerance band	1	Setpoint-actual value monitoring within tolerance band Actual value within a tolerance band; dynamic overshoot or undershoot for $t < t_{max}$ permissible, e.g. $n = n_{set} \pm$ $f = f_{set} \pm$, etc., t_{max} can be parameterized	BO: r2197.7
		0	Setpoint/actual value monitoring not within tolerance band	
9	Control request to PLC	1	Control requested The PLC is requested to assume control. Condition for applications with isochronous mode: drive synchronized with PLC system.	BO: r0899.9
		0	Local operation Control only possible on device	
10	f or n comparison value reached or exceeded	1	f or n comparison value reached or exceeded.	BO: r2199.1
		0	f or n comparison value not reached.	

10.1 Communication according to PROFIdrive

Bit	Meaning	Remarks		BICO
	Note: The message is parameterized as follows: p2141 Threshold value p2142 Hysteresis			
11	I, M or P limit reached or exceeded	1	I, M or P limit not reached	BO: r1407.7
		0	I, M or P limit reached or exceeded	
12	Holding brake open	1	Holding brake opened	BO: r0899.12
		0	Holding brake closed	
13	No motor overtemperature alarm	1	Motor overtemperature alarm not active	BO: r2135.14
		0	Motor overtemperature alarm active	
14	Reserved	-	-	-
15	Reserved	-	-	-
15	Reserved	-	-	-

ZSW2_BM (status word 2, metal industry)

See function diagram [2429].

Table 10- 23 Description of ZSW2_BM (status word 2, metal industry)

Bit	Meaning	Remarks		BICO
0	Reserved	-	-	-
1	Reserved	-	-	-
2	Reserved	-	-	-
3	Reserved	-	-	-
4	Reserved	-	-	-
5	Alarm class bit 0	-	Bits 5-6: Alarm stage of SINAMICS drives, transferred as attribute in alarm message value = 0: Alarm (previous alarm stage) value = 1: Alarm class A value = 2: Alarm class B value = 3: Alarm class C	BO: r2139.11
6	Alarm class bit 1	-		BO: r2139.12
7	Reserved	-	-	-
8	Reserved	-	-	-
9	Limit speed setpoint	1	Speed setpoint limited	r1407.11
		0	Speed setpoint not limited	
10	Upper torque limit	1	Upper torque limit reached	r1407.8
		0	Upper torque limit not reached	
11	Lower torque limit	1	Lower torque limit reached	r1407.9
		0	Lower torque limit not reached	
12	Reserved	-	-	-
13	Safe Stop 1	1	Normalized signal according to PROFIdrive on PROFIsafe	r9773.2

Bit	Meaning	Remarks		BICO
14	Safe Torque Off active (safe stop)	1	Normalized signal according to PROFIdrive on PROFIsafe	r9773.1
15	Controller sign of life toggle bit	1	Toggle bit communication active	r2093.15
		0	Toggle bit communication not active	

NACT_A (Speed setpoint A (16 bit))

- Actual speed value with 16-bit resolution.
- The speed actual value is normalized in the same way as the setpoint (see NSOLL_A).

NACT_B (Speed setpoint B (32 bit))

- Actual speed value with 32-bit resolution.
- The speed actual value is normalized in the same way as the setpoint (see NSOLL_B).

Gn_ZSW (encoder n status word)

Gn_XIST1 (encoder n position actual value 1)

Gn_XIST2 (encoder n position actual value 2)

This process data belongs to the encoder interface.

E_DIGITAL

MT_ZSW

MT_n_ZS_F/MT_n_ZS_S

CU_ZSW1

These process data are part of the central process data.

IAIST

Absolute current actual value.

IAIST_GLATT

The absolute current actual value smoothed with p0045 is displayed.

ITIST_GLATT

The actual current value smoothed with p0045 is displayed.

MIST

Actual torque value.

MIST_GLATT

The actual torque value smoothed with p0045 is displayed.

PIST_GLATT

The active power smoothed with p0045 is displayed.

NIST_A_GLATT

The actual speed value smoothed with p0045 is displayed.

MSOLL_GLATT

The torque setpoint smoothed with p0045 is displayed.

AIST_GLATT

Torque utilization smoothed with p0045 is displayed.

MELDW (message word)

See function diagram [2456]

Table 10- 24 Description of MELDW (message word)

Bit	Meaning	Remarks		BICO
0	Ramp-up/ramp-down completed / ramp-function generator active	1	Ramp-up/ramp-down completed. <ul style="list-style-type: none"> The ramp-up procedure is completed once the speed setpoint has been changed. 	BO: r2199.5
		1/0	Ramp-up starts. The start of the ramp-up procedure is detected as follows: <ul style="list-style-type: none"> The speed setpoint changes, and The defined tolerance bandwidth (p2164) is exited. 	
		0	Ramp-function generator active <ul style="list-style-type: none"> The ramp-up procedure is still active once the speed setpoint has been changed. 	
		0/1	Ramp-up ends. The end of the ramp-up procedure is detected as follows: <ul style="list-style-type: none"> The speed setpoint is constant, and The actual speed value is within the tolerance bandwidth and has reached the speed setpoint, and The delay time (p2166) has elapsed. 	
1	Torque utilization < p2194	1	Torque utilization < p2194 <ul style="list-style-type: none"> The current torque utilization is less than the set torque utilization threshold (p2194), or Ramp-up is not yet complete. 	BO: r2199.11

Bit	Meaning	Remarks		BICO
		0	Torque utilization > p2194 <ul style="list-style-type: none"> The current torque utilization is greater than the set torque utilization threshold (p2194). 	
<p>Application: This message indicates that the motor is overloaded and appropriate measures need to be taken to rectify the situation (e.g. stop the motor or reduce the load).</p>				
2	n_act < p2161	1	n_act < p2161 The actual speed value is less than the set threshold value (p2161).	BO: r2199.0
		0	n_act ≥ p2161 The actual speed value is greater than or the same as the set threshold value (p2161).	
<p>Note: The message is parameterized as follows: p2161 Threshold value p2150 Hysteresis</p> <p>Application: To protect the mechanics, the gear stages are not switched mechanically until the speed is less than the set threshold value.</p>				
3	n_act ≤ p2155	1	n_act ≤ p2155 The actual speed value is less than or the same as the set threshold value (p2155).	BO: r2197.1
		0	n_act > p2155 The actual speed value is greater than the set threshold value (p2155).	
<p>Note: The message is parameterized as follows: p2155 Threshold value p2140 Hysteresis</p> <p>Application: Speed monitoring.</p>				
4	Reserved	–	–	–
5	Variable signaling function	1	The monitored signal of a SERVO axis has exceeded the specified threshold value.	BO: r3294
		0	The monitored signal of a SERVO axis is within the specified threshold value or the signaling function is not active	
6	No motor overtemperature alarm	1	No motor overtemperature alarm The temperature of the motor is within the permissible range.	BO: r2135.14
		0	Alarm, motor overtemperature The temperature of the motor is greater than the set motor temperature threshold (p0604).	

Bit	Meaning		Remarks	BICO
	<p>Note:</p> <ul style="list-style-type: none"> When the motor temperature threshold is exceeded, only an alarm is output initially to warn you of this. The alarm is canceled automatically when the temperature no longer exceeds the alarm threshold. If the overtemperature is present for longer than the value set via p0606, a fault is output to warn you of this. Motor temperature monitoring can be switched-out via p0600 = 0. <p>Application: The user can respond to this message by reducing the load, thereby preventing the motor from shutting down with the "Motor temperature exceeded" fault after the set time has elapsed.</p>			
7	No thermal overload in power unit alarm	1	No thermal overload in power unit alarm The temperature of the heat sink in the power unit is within the permissible range.	BO: r2135.15
		0	Thermal overload in power unit alarm The temperature of the heat sink in the power unit is outside the permissible range. If the overtemperature remains, the drive switches itself off after approx. 20 s.	
8	Speed setp - act val deviation in tolerance t_on	1	The speed setpoint/actual value is within the tolerance p2163: The signal is switched on after the delay specified in p2167 has elapsed.	BO: r2199.4
		0	The speed setpoint/actual value is outside the tolerance.	
9,10	Reserved	-	-	-
11	Controller enable	1	Controller enable	BO: r0899.8
12	Drive ready	1	Drive ready	BO: r0899.7
13	Pulses enabled	1	Pulses enabled The pulses for activating the motor are enabled.	BO: r0899.11
		0	Pulses inhibited	
	<p>Application: Armature short-circuit protection must only be switched on when the pulses are inhibited. This signal can be evaluated as one of many conditions when armature short-circuit protection is activated.</p>			
14, 15	Reserved	-	-	-

MELD_NAMUR

Display of the NAMUR message bit bar.

AKTSATZ

See function diagram [3650].

Table 10- 25 Description of AKTSATZ (active traversing block/MDI active)

Bit	Meaning	Remarks		BICO
0	Active traversing block, bit 0	–	Active traversing block (6-bit counter)	BO: r2670.0
1	Active traversing block, bit 1	–		BO: r2670.1
2	Active traversing block, bit 2	–		BO: r2670.2
3	Active traversing block, bit 3	–		BO: r2670.3
4	Active traversing block, bit 4	–		BO: r2670.4
5	Active traversing block, bit 5	–		BO: r2670.5
6..14	Reserved	–	–	–
15	MDI active	1	MDI active	BO: r2670.15
		0	MDI not active	

POS_ZSW

See function diagram [3645].

Table 10- 26 Description of POS_ZSW (status word, positioning mode)

Bit	Meaning	Remarks		BICO
0	Tracking mode active	1	Tracking mode active	BO: r2683.0
		0	Tracking mode not active	
1	Velocity limiting active	1	Active	BO: r2683.1
		0	Not active	
2	Setpoint static	1	Setpoint static	BO: r2683.2
		0	Setpoint not static	
3	Reference position reached	–	–	BO: r2683.3
4	Axis moves forwards	1	Axis moves forwards	BO: r2683.4
		0	Axis stationary or moves backwards	
5	Axis moves backwards	1	Axis moves backwards	BO: r2683.5
		0	Axis stationary or moves forwards	
6	Software limit switch minus approached	1	Software limit switch minus approached	BO: r2683.6
		0	Software limit switch minus not approached	
7	Software limit switch plus approached	1	Software limit switch plus approached	BO: r2683.7
		0	Software limit switch plus not approached	
8	Actual position value <= cam switching position 1	1	Actual position value <= cam switching position 1	BO: r2683.8
		0	Cam switching position 1 passed	
9	Actual position value <= cam switching position 2	1	Actual position value <= cam switching position 2	BO: r2683.9
		0	Cam switching position 2 passed	
10	Direct output 1 via the traversing block	1	Direct output 1 active	BO: r2683.10
		0	Direct output 1 not active	
11	Direct output 2 via the traversing block	1	Direct output 1 active	BO: r2683.11
		0	Direct output 1 not active	

10.1 Communication according to PROFdrive

Bit	Meaning	Remarks		BICO
12	Fixed stop reached	1	Fixed stop reached	BO: r2683.12
		0	Fixed stop is not reached	
13	Fixed stop clamping torque reached	1	Fixed stop clamping torque reached	BO: r2683.13
		0	Fixed stop clamping torque is not reached	
14	Travel to fixed stop active	1	Travel to fixed stop active	BO: r2683.14
		0	Travel to fixed stop not active	
15	Reserved	-	-	-

POS_ZSW1 (status word 1, positioning mode, p0108.4 = 1)

See function diagram [2466].

Table 10- 27 Description of POS_ZSW1 (status word 1, positioning mode, p0108.4 = 1)

Bit	Meaning	Remarks		BICO
0	Active traversing block, bit 0	-	Active traversing block (6-bit counter)	BO: r2670.0
1	Active traversing block, bit 1	-		BO: r2670.1
2	Active traversing block, bit 2	-		BO: r2670.2
3	Active traversing block, bit 3	-		BO: r2670.3
4	Active traversing block, bit 4	-		BO: r2670.4
5	Active traversing block, bit 5	-		BO: r2670.5
6	Reserved	-	-	-
7	Reserved	-	-	-
8	STOP cam minus active	1	-	BO: r2684.13
9	STOP cam plus active	1	-	BO: r2684.14
10	Jog active	1	Jog active	BO: r2094.0
		0	Jog not active	BO: r2669.0
11	Reference point approach active	1	Reference point approach active	BO: r2094.1
		0	Reference point approach not active	BO: r2669.1
12	Flying referencing	1	Flying referencing	BO: r2684.1
		0	Flying referencing not active	
13	Traversing blocks active	1	Traversing blocks active	BO: r2094.2
		0	Traversing blocks not active	BO: r2669.2
14	Set-up active	1	Set-up active	BO: r2094.3
		0	Set-up not active	BO: r2669.4
15	MDI active	1	MDI active	BO: r2670.15
		0	MDI not active	

POS_ZSW2 (status word 2, positioning mode, p0108.4 = 1

See function diagram [2467].

Table 10- 28 Description of POS_ZSW2 (status word 2, positioning mode, p0108.4 = 1

Bit	Meaning	Remarks		BICO
0	Tracking mode active	1	Tracking mode active	BO: r2683.0
		0	Tracking mode not active	
1	Velocity limiting active	1	Active	BO: r2683.1
		0	Not active	
2	Setpoint static	1	Setpoint static	BO: r2683.2
		0	Setpoint not static	
3	Print index outside outer window	1	Flying / passive referencing not active	BO: r2684.3
		0	Flying / passive referencing active	
4	Axis moves forwards	1	Axis moves forwards	BO: r2683.4
		0	Axis stationary or moves backwards	
5	Axis moves backwards	1	Axis moves backwards	BO: r2683.5
		0	Axis stationary or moves forwards	
6	Software limit switch minus approached	1	Software limit switch minus approached	BO: r2683.6
		0	Software limit switch minus not approached	
7	Software limit switch plus approached	1	Software limit switch plus approached	BO: r2683.7
		0	Software limit switch plus not approached	
8	Actual position value <= cam switching position 1	1	Actual position value <= cam switching position 1	BO: r2683.8
		0	Cam switching position 1 passed	
9	Actual position value <= cam switching position 2	1	Actual position value <= cam switching position 2	BO: r2683.9
		0	Cam switching position 2 passed	
10	Direct output 1 via the traversing block	1	Direct output 1 active	BO: r2683.10
		0	Direct output 1 not active	
11	Direct output 2 via the traversing block	1	Direct output 1 active	BO: r2683.11
		0	Direct output 1 not active	
12	Fixed stop reached	1	Fixed stop reached	BO: r2683.12
		0	Fixed stop is not reached	
13	Fixed stop clamping torque reached	1	Fixed stop clamping torque reached	BO: r2683.13
		0	Fixed stop clamping torque is not reached	
14	Travel to fixed stop active	1	Travel to fixed stop active	BO: r2683.14
		0	Travel to fixed stop not active	
15	Traversing command active	1	Axis traversing	BO: r2684.15
		0	Axis stationary	

XIST_A

Actual position value is displayed

Normalization: 1 corresponds to 1 LU

WARN_CODE

Display of the alarm code (see function diagram 8065).

FAULT_CODE

Display of the fault code (see function diagram 8060).

E_ZSW1 (status word for infeed)

See function diagram [2457].

Table 10- 29 Description of E_ZSW1 (status word for infeed)

Bit	Meaning	Remarks		BICO
0	Ready for switching on	1	Ready for switching on	BO: r0899.0
		0	Not ready for switching on	
1	Ready for operation	1	Ready for operation DC link pre-charged, pulses inhibited	BO: r0899.1
		0	Not ready for operation	
2	Operation enabled	1	Operation enabled Vdc = Vdc_setp	BO: r0899.2
		0	Operation inhibited	
3	Fault active	1	Fault active	BO: r2139.3
		0	No fault	
4	No OFF2 active	1	No OFF2 active	BO: r0899.4
		0	OFF2 active	
5	Reserved	-	-	-
6	Switching on inhibited	1	Switching on inhibited Fault active	BO: r0899.6
		0	No "switching on inhibited" active	
7	Reserved	-	-	-
8	Reserved	-	-	-
9	Control request to PLC	1	Control requested The PLC is requested to assume control. Condition for applications with isochronous mode: drive synchronized with PLC system.	BO: r0899.9
		0	Local operation Control only possible on device	
10	Reserved	-	-	-
11	Bypass energized	1	Bypass energized Pre-charging is complete and the bypass relay for the pre-charging resistors is energized.	BO: r0899.11
		0	Bypass not energized Pre-charging not yet complete.	
12	Line contactor activated	1	Line contactor activated	BO: r0899.12
		0	Line contactor not energized	
13...15	Reserved	-	-	-

E_ZSW1_BM (status word for infeeds, metal industry)

See function diagram [2430].

Table 10- 30 Description of E_ZSW1_BM (status word for infeeds, metal industry)

Bit	Meaning	Remarks		BICO
0	Ready for switching on	1	Ready for switching on	BO: r0899.0
		0	Not ready for switching on	
1	Ready for operation	1	Ready for operation DC link pre-charged, pulses inhibited	BO: r0899.1
		0	Not ready for operation	
2	Operation enabled	1	Operation enabled Vdc = Vdc_setp	BO: r0899.2
		0	Operation inhibited	
3	Fault active	1	Fault active	BO: r2139.3
		0	No fault	
4	No OFF2 active	1	No OFF2 active	BO: r0899.4
		0	OFF2 active	
5	Reserved	–	–	–
6	Switching on inhibited	1	Switching on inhibited Fault active	BO: r0899.6
		0	No "switching on inhibited" active	
7	Alarm present	1	Alarm present	BO: r2139.7
		0	No alarm	
8	Reserved	–	–	–
9	Control request to PLC	1	Control requested The PLC is requested to assume control. Condition for applications with isochronous mode: drive synchronized with PLC system.	BO: r0899.9
		0	Local operation Control only possible on device	
10	Reserved	–	–	–
11	Bypass energized	1	Bypass energized Pre-charging is complete and the bypass relay for the pre-charging resistors is energized.	BO: r0899.11
		0	Bypass not energized Pre-charging not yet complete.	
12	Line contactor activated	1	Line contactor activated	BO: r0899.12
13.. 14	Reserved	–	–	–
15	Controller sign of life toggle bit	1	Toggle bit communication active	r2090.15
		0	Toggle bit communication not active	

10.1.3.4 Control and status words for encoder

Description

The process data for the encoders is available in various telegrams. For example, telegram 3 is provided for speed control with 1 position encoder and transmits the process data of encoder 1.

The following process data is available for the encoders:

- Gn_STW encoder n control (n = 1, 2, 3)
- Gn_ZSW encoder n status word
- Gn_XIST1 encoder n act. pos. value 1
- Gn_XIST2 encoder n act. pos. value 2

Note

Encoder 1: Motor encoder

Encoder 2: Direct measuring system

Encoder 3: Additional measuring system

Encoder 3 can be connected via p2079 and extension of the standard telegrams.

Example of encoder interface

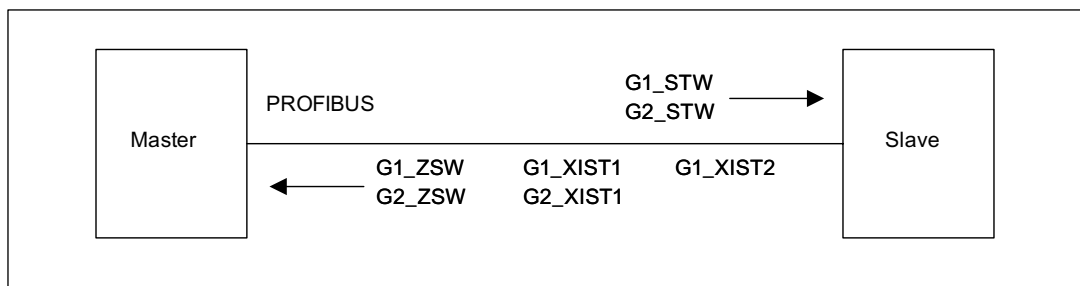


Figure 10-10 Example of encoder interface (encoder-1: two actual values, encoder -2: one actual value)

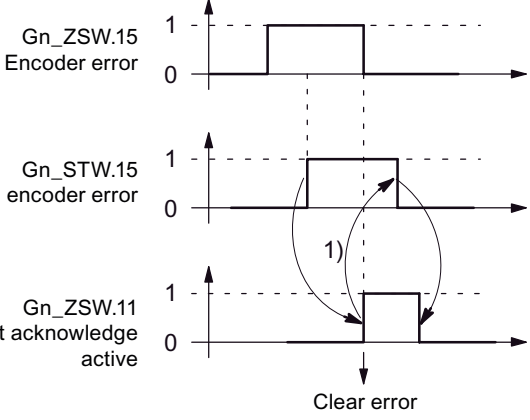
Encoder n control word (Gn_STW, n = 1, 2, 3)

The encoder control word controls the encoder functions.

Table 10- 31 Description of the individual signals in Gn_STW

Bit	Name	Signal status, description		
0	Find reference mark or flying measurement	Functions	If bit 7 = 0, then find reference mark request applies:	
1			Bit	Meaning
2			0	Function 1

Bit	Name	Signal status, description	
3		1	Function 2 Reference mark 2
		2	Function 3 Reference mark 3
		3	Function 4 Reference mark 4
		If bit 7 = 1, then find flying measurement request applies:	
		0	Function 1 Probe 1 rising edge
		1	Function 2 Probe 2 falling edge
		2	Function 3 Probe 3 rising edge
		3	Function 4 Probe 4 falling edge
		Note:	
		• Bit x = 1 Bit x = 0	Request function Do not request function
<ul style="list-style-type: none"> The following applies if more than 1 function is activated: The values for all functions cannot be read until each activated function has terminated and this has been confirmed in the corresponding status bit (ZSW.0/.1/.2/.3 "0" signal again). Find reference mark It is possible to search for a reference mark. Equivalent zero mark Flying measurement Positive and negative edge can be activated simultaneously. 			
4 5 6	Command	Bit 6, 5, 4	Meaning
		000	-
		001	Activate function x
		010	Read value x
		011	Terminate function
		(x: function selected via bit 0-3)	
7	Mode	1	Flying measurement (fine resolution via p0418)
		0	Find reference mark (fine resolution via p0418)
0... 12	Reserved	-	
13	Request cyclic absolute value	1	Request cyclic transmission of the absolute position actual value in Gn_XIST2. Used for (e.g.): <ul style="list-style-type: none"> Additional measuring system monitoring Synchronization during ramp-up
		0	No request
14	Parking encoder	1	Request parking encoder (handshake with Gn_ZSW bit 14)
		0	No request

Bit	Name	Signal status, description	
15	Acknowledge encoder error	0/1	<p data-bbox="671 338 1018 367">Request to reset encoder errors</p>  <p data-bbox="938 813 1246 842">1) Signal must be reset by user.</p>
0		0	No request

Example 1: Find reference mark

Assumptions for the example:

- Distance-coded reference mark
- Two reference marks (function 1/function 2)
- Position control with encoder 1

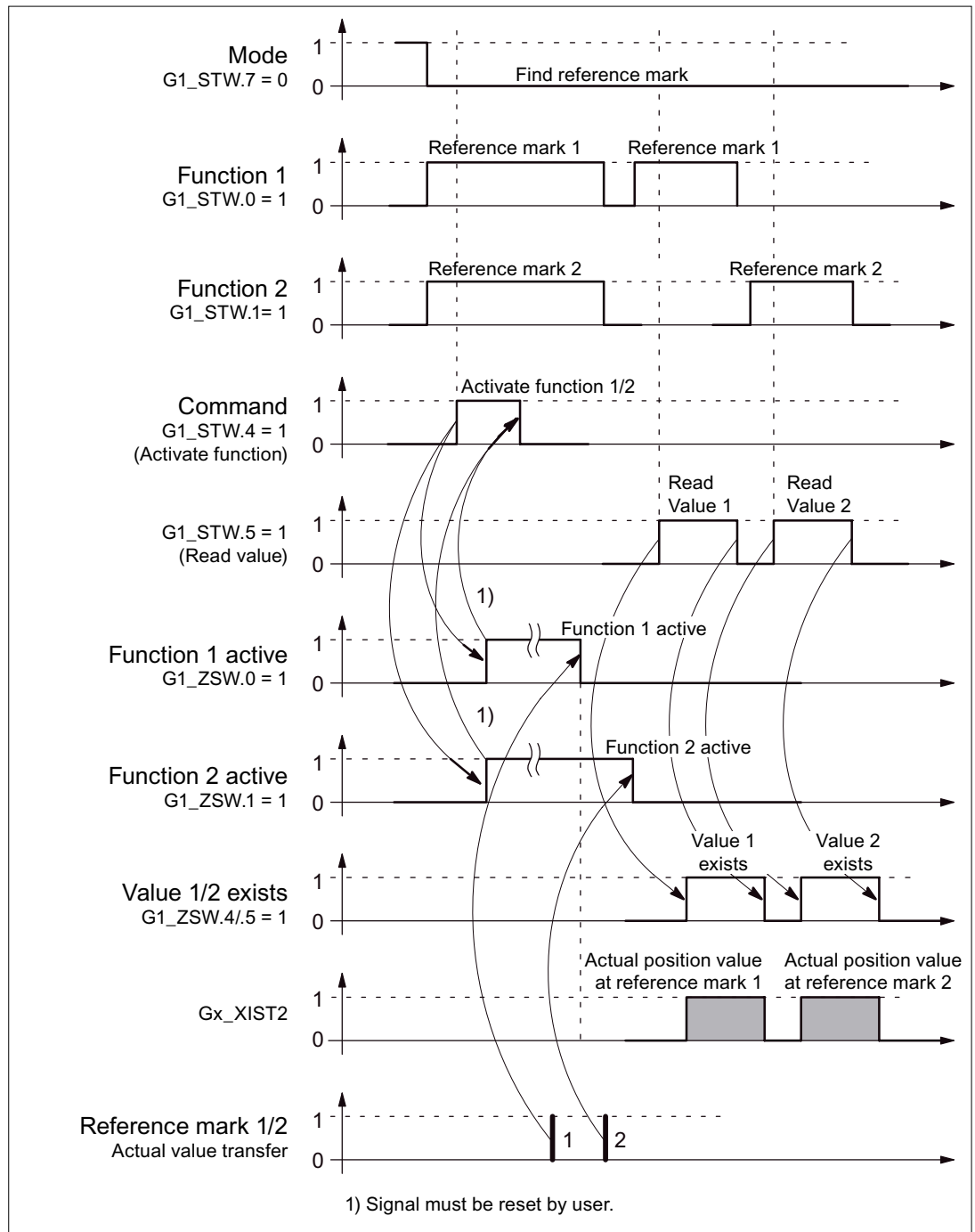


Figure 10-11 Sequence chart for "Find reference mark"

Example 2: Flying measurement

Assumptions for the example:

- Measuring probe with rising edge (function 1)
- Position control with encoder 1

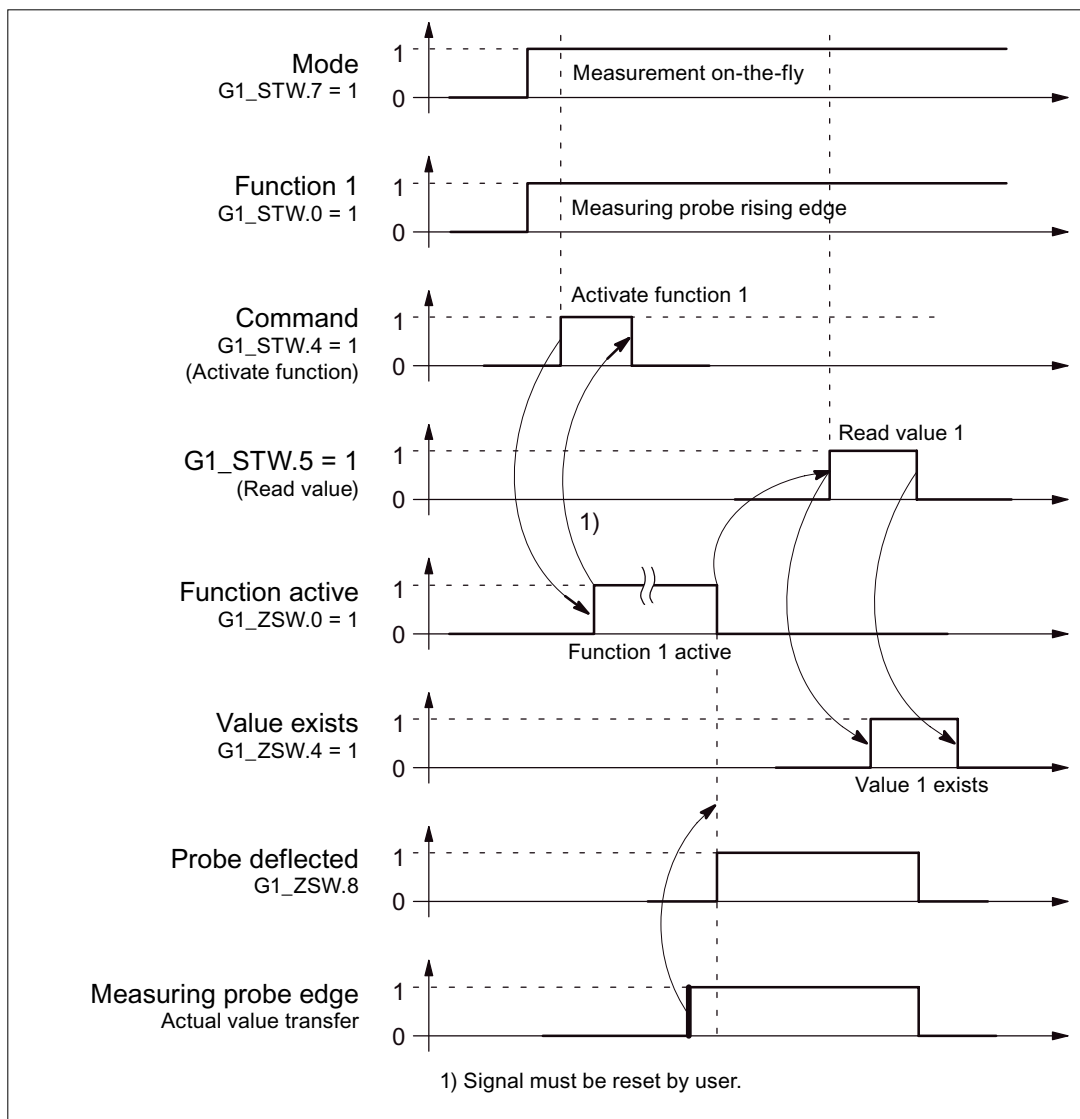


Figure 10-12 Sequence chart for "Flying measurement"

Encoder 2 control word (G2_STW)

- see G1_STW

Encoder n status word (Gn_ZSW, n = 1, 2)

The encoder status word is used to display states, errors and acknowledgements.

Table 10- 32 Description of the individual signals in Gn_ZSW

Bit	Name		Signal status, description	
0 1 2 3	"Find reference mark" or "Flying measurement"	Status: Function 1 - 4 active	Valid for "Find reference mark" and "Flying measurement"	
			Bit	Meaning
			0	Function 1 Reference mark 1 Probe 1 rising edge
			1	Function 2 Reference mark 2 Probe 1 falling edge
			2	Function 3 Reference mark 3 Probe 2 rising edge
			3	Function 4 Reference mark 4 Probe 2 falling edge
		Note: <ul style="list-style-type: none"> Bit x = 1 function active Bit x = 0 function inactive 		
4 5 6 7		Status: Value 1 - 4 available	Valid for "Find reference mark" and "Flying measurement"	
			Bit	Meaning
			4	Value 1 Reference mark 1 Probe 1 rising edge
			5	Value 2 Probe 1 falling edge
			6	Value 3 Probe 2 rising edge
			7	Value 4 Probe 2 falling edge
		Note: <ul style="list-style-type: none"> Bit x = 1 value available Bit x = 0 value not available Only one value can be fetched at a time. <p>Reason: There is only one common status word Gn_XIST2 to read the values.</p> <ul style="list-style-type: none"> The probe must be configured to a "high-speed input" DI/DO on the Control Unit. 		
8		Probe 1 deflected	1	Probe deflected (high signal)
			0	Probe not deflected (low signal)
9	Probe 2 deflected		1	Probe deflected (high signal)
			0	Probe not deflected (low signal)
10	Reserved		-	
11	Encoder fault acknowledge active		1	Encoder fault acknowledge active
			0	No acknowledgement active

Bit	Name	Signal status, description	
12	Reserved	-	
13	Transmit absolute value cyclically	1	Acknowledgement for Gn_STW.13 (request absolute value cyclically) Note: Cyclic transmission of the absolute value can be interrupted by a function with higher priority. • See Gn_XIST2
		0	No acknowledgement
14	Parking encoder	1	Parking encoder active (i.e. parking encoder switched off)
		0	No active parking encoder
15	Encoder error	1	Error from encoder or actual-value sensing is active. Note: The error code is stored in Gn_XIST2.
		0	No error is active.

Encoder 1 actual position value 1 (G1_XIST1)

- Resolution: Encoder lines • 2n
n: fine resolution, no. of bits for internal multiplication
The fine resolution is specified via p0418.
- Used to transmit the cyclic actual position value to the controller.
- The transmitted value is a relative, free-running actual value.
- Any overflows must be evaluated by the master controller.

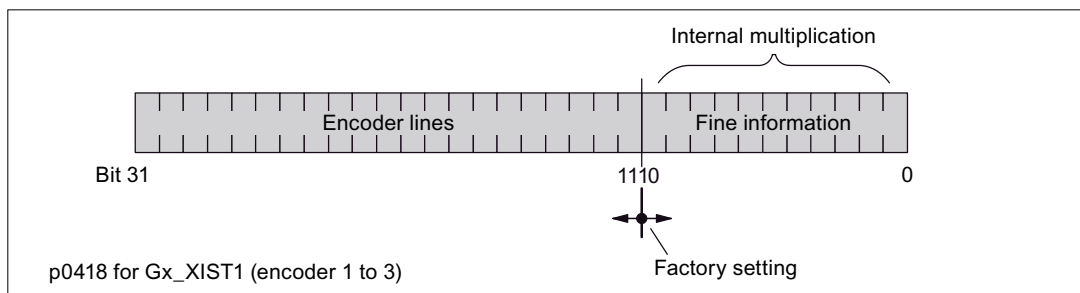


Figure 10-13 Subdivision and settings for Gx_XIST1

- Encoder lines of incremental encoder
 - For encoders with sin/cos 1Vpp:
Encoder lines = no. of sinusoidal signal periods
- After power-up: Gx_XIST1 = 0
- An overflow in Gx_XIST1 must be viewed by the master controller.
- There is no modulo interpretation of Gx_XIST1 in the drive.

Encoder 1 actual position value 2 (G1_XIST2)

Different values are entered in Gx_XIST2 depending on the function.

- Priorities for Gx_XIST2

The following priorities should be considered for values in Gx_XIST2:

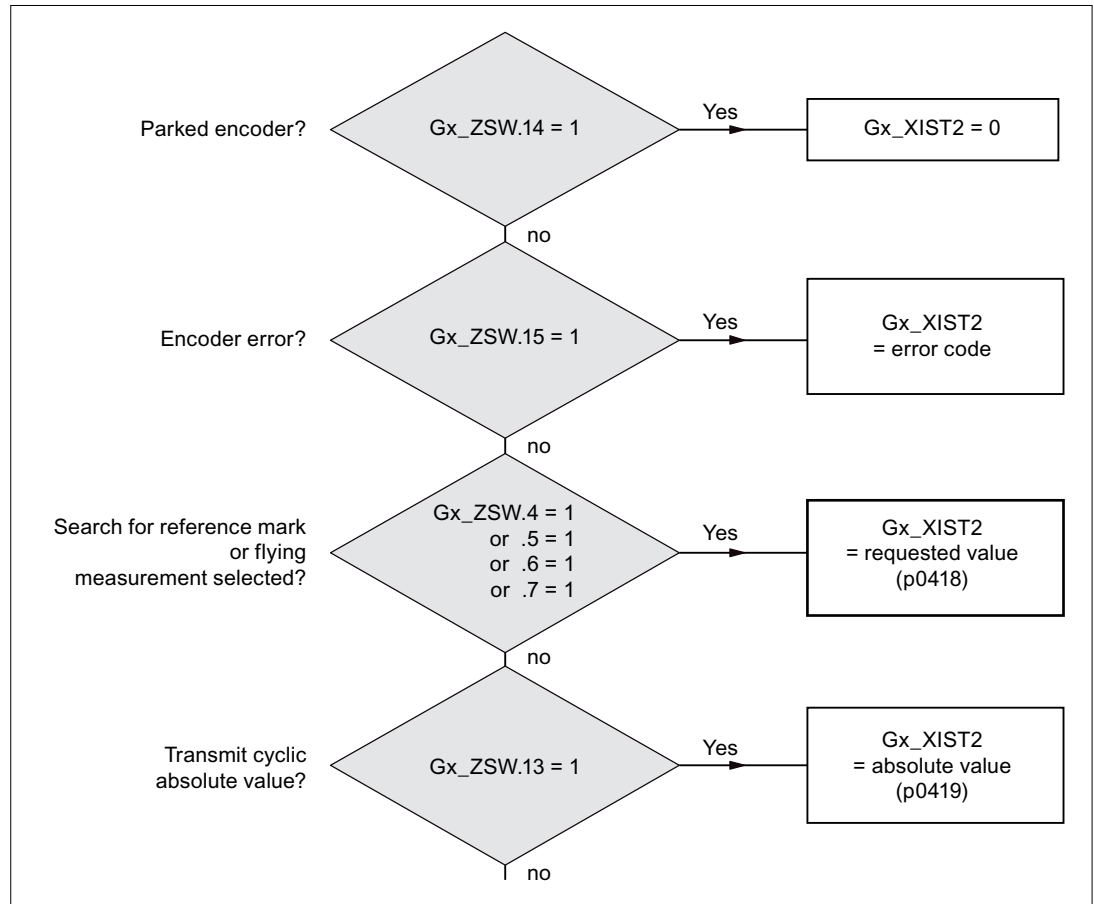


Figure 10-14 Priorities for functions and Gx_XIST2

- Resolution: Encoder pulses • 2n
n: fine resolution, no. of bits for internal multiplication

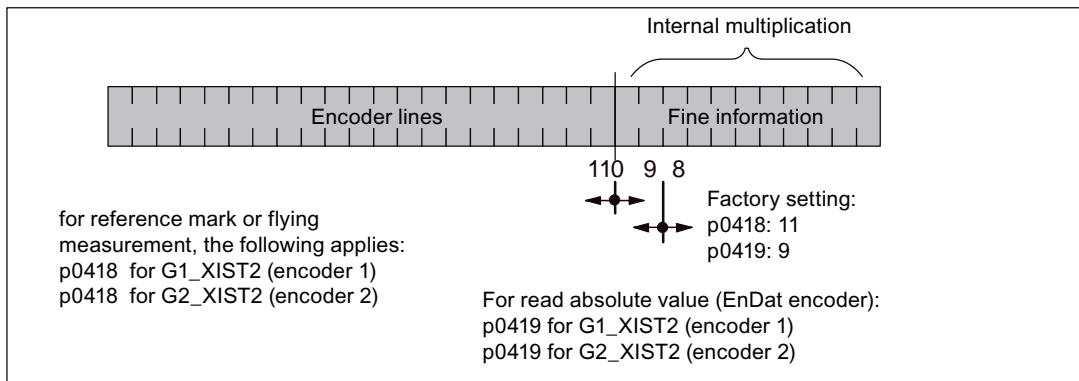


Figure 10-15 Subdivision and settings for Gx_XIST2

- Encoder lines of incremental encoder
 - For encoders with sin/cos 1Vpp:
Encoder lines = no. of sinusoidal signal periods

Error code in Gn_XIST2

Table 10- 33 Error code in Gn_XIST2

n_XIST2	Meaning	Possible causes / description
1	Encoder error	One or more existing encoder faults. Detailed information in accordance with drive messages.
2	Zero mark monitoring	–
3	Abort parking sensor	<ul style="list-style-type: none"> • Parking drive object already selected.
4	Abort find reference mark	<ul style="list-style-type: none"> • A fault exists (Gn_ZSW.15 = 1) • Encoder has no zero mark (reference mark) • reference mark 2, 3 or 4 is requested • Switchover to "Flying measurement" during search for reference mark • Command "Read value x" set during search for reference mark • Inconsistent position measured value with distance-coded reference marks.
5	Abort, retrieve reference value	<ul style="list-style-type: none"> • More than four values requested • No value requested • Requested value not available
6	Abort flying measurement	<ul style="list-style-type: none"> • No probe configured p0488, p0489 • Switch over to "reference mark search" during flying measurement • Command "Read value x" set during flying measurement

n_XIST2	Meaning	Possible causes / description
7	Abort get measured value	<ul style="list-style-type: none"> • More than one value requested • No value requested. • Requested value not available • Parking encoder active • Parking drive object active
8	Abort absolute value transmission on	<ul style="list-style-type: none"> • Absolute encoder not available • Alarm bit absolute value protocol set
3841	Function not supported	–

Encoder 2 status word (G2_ZSW)

- See G1_ZSW (table 10-29)

Encoder 2 actual position value 1 (G2_XIST1)

- See G1_XIST1

Encoder 2 actual position value 2 (G2_XIST2)

- See G1_XIST2

Function diagrams (see SINAMICS S120/S150 List Manual)

- 4720 Encoder interface, receive signals, encoders n
- 4730 Encoder interface, send signals, encoders n
- 4735 Find reference mark with equivalent zero mark, encoders n
- 4740 Measuring probe evaluation, measured value memory, encoders n

Overview of important parameters (see SINAMICS S120/S150 List Manual)

Adjustable parameter drive, CU_S parameter is marked

- p0418[0...15] Fine resolution Gx_XIST1
- p0419[0...15] Fine resolution Gx_XIST2
- p0480[0...2] CI: Signal source for encoder control word Gn_STW
- p0488[0...2] Measuring probe 1 input terminal
- p0489[0...2] Measuring probe 2 input terminal
- p0490 Invert measuring probe (CU_S)

Display parameters drive

- r0481[0...2] CO: Encoder status word Gn_ZSW
- r0482[0...2] CO: Encoder position actual value Gn_XIST1
- r0483[0...2] CO: Encoder position actual value Gn_XIST2
- r0487[0...2] CO: Diagnostic encoder control word Gn_STW

10.1.3.5 Central control and status words

Description

The central process data exists for different telegrams. For example, telegram 391 is used for transferring measuring times and digital inputs/outputs.

The following central process data are available:

Receive signals:

- CU_STW1 Control Unit control word
- A_DIGITAL digital outputs
- MT_STW probe control word

Transmit signals:

- CU_ZSW1 Control Unit status word
- E_DIGITAL digital inputs
- MT_ZSW Probe status word
- MTn_ZS_F Probe n measuring time, falling edge (n = 1-6)
- MTn_ZS_S Probe n measuring time, rising edge (n = 1-6)

CU_STW1 (control word for Control Unit, CU)

See function diagram [2495].

Table 10- 34 Description of CU_STW1 (control word for Control Unit)

Bit	Meaning	Remarks		BICO
0	Synchronization flag	–	This signal is used to synchronize the joint system time between the controller and drive unit.	Bl: p0681[0]
1	RTC PING	–	This signal is used to set the UTC time using the PING event.	Bl: p3104
2...6	Reserved	–	–	–
7	Acknowledging faults	0/1	Acknowledging faults	Bl: p2103
8...9	Reserved	-	-	-

Bit	Meaning	Remarks		BICO
10	Control transferred	0	The CU has control Once the propagated faults have been acknowledged on all DOs, the fault is also implicitly acknowledged on the DO1 (CU).	p3116
		1	External controller has control The propagated faults must be acknowledged on all DOs and must also be explicitly acknowledged on the DO1 (CU).	
11	Reserved	–		–
12	Master sign of life bit 0	–	Master sign of life	Cl: p2045
13	Master sign of life bit 1	–		
14	Master sign of life bit 2	–		
15	Master sign of life bit 3	–		

A_DIGITAL (digital outputs)

This process data can be used to control the Control Unit outputs.
See function diagram [2497]

Table 10- 35 Description of A_DIGITAL (digital outputs)

Bit	Meaning	Remarks		BICO
0	Digital input/output 8 (DI/DO 8)	–	DI/DO 8 on the Control Unit must be parameterized as an output (p0728.8 = 1).	Bl: p0738
1	Digital input/output 9 (DI/DO 9)	–	DI/DO 9 on the Control Unit must be parameterized as an output (p0728.9 = 1).	Bl: p0739
2	Digital input/output 10 (DI/DO 10)	–	DI/DO 10 on the Control Unit must be parameterized as an output (p0728.10 = 1).	Bl: p0740
3	Digital input/output 11 (DI/DO 11)	–	DI/DO 11 on the Control Unit must be parameterized as an output (p0728.11 = 1).	Bl: p0741
4	Digital input/output 12 (DI/DO 12)	–	DI/DO 12 on the Control Unit must be parameterized as an output (p0728.12 = 1).	Bl: p0742
5	Digital input/output 13 (DI/DO 13)	–	DI/DO 13 on the Control Unit must be parameterized as an output (p0728.13 = 1).	Bl: p0743
6	Digital input/output 14 (DI/DO 14)	–	DI/DO 14 on the Control Unit must be parameterized as an output (p0728.14 = 1).	Bl: p0744
7	Digital input/output 15 (DI/DO 15)	–	DI/DO 15 on the Control Unit must be parameterized as an output (p0728.15 = 1).	Bl: p0745
8... 15	Reserved	–	–	–

Note:
The bidirectional digital inputs/outputs (DI/DO) can be connected as either an input or an output (see also transmit signal E_DIGITAL).

MT_STW

Control word for the "central probe" function. Display via r0685.

Table 10- 36 Description of MT_STW (control word for Control Unit)

Bit	Meaning		Remarks	BICO
0	Falling edge probe 1	-	Activation of measuring time determination with the next falling edge For telegram 392, in addition, probes 3 and 6	Cl: p0682
1	Falling edge probe 2	-		
2	Falling edge probe 3	-		
3	Falling edge probe 4	-		
4	Falling edge probe 5	-		
5	Falling edge probe 6	-		
6...7	Reserved	-		
8	Rising edge probe 1	-	Activation of measuring time determination with the next rising edge For telegram 392, in addition, probes 3 and 6	
9	Rising edge probe 2	-		
10	Rising edge probe 3	-		
11	Rising edge probe 4	-		
12	Rising edge probe 5	-		
13	Rising edge probe 6	-		
14.. 15	Reserved	-		

CU_ZSW1 (status word of the DO1 telegram (telegrams 39x))

See function diagram [2496].

Table 10- 37 Description of CU_ZSW1 (status word of the CU)

Bit	Meaning		Remarks	BICO
0	Reserved	-	-	-
1	Reserved	-	-	-
2	Reserved	-	-	-
3	Fault active	1	Drive object: Device (CU)	BO: r2139.3
		0		
4	Reserved	-	-	-
5	Reserved	-	-	-
6	Ready for switching on	Central "ready for switching on" state of the drive unit		BO: r899.0
		1	Device is in the "not ready for switching on" state	
		0	Device is in the "ready for switching on" state	
7	Alarm present	1	Alarm is active	BO: 2139.7
		0	No warning	
8	SYNC	SYNC bit of TM17 indicates that the slave is synchronized.		BO: r0899.8
		1	Slave synchronized	
		0	Slave not synchronized	

Bit	Meaning	Remarks		BICO
9	Module line-up alarm	1	Group bit for alarm is active, ORed across all DOs including the CU of the module line-up.	BO: r3114.9
		0	No group bit for module line-up alarm	
10	Module line-up fault	1	Group bit for fault is active, ORed across all DOs including the CU of the module line-up, plus propagations.	BO: r3114.10
		0	No group bit for module line-up fault.	
11	Safety Integrated module line-up fault	1	Group bit for SI fault is active, ORed across all drive DOs including the CU of the module line-up, plus propagations.	BO: r3114.11
		0	No group bit for SI fault	
12	Slave sign of life bit 0	1-15	Cyclic advance	Implicitly interconnected
		0	Initialization, no sign of life available	
13	Slave sign of life bit 1	1-15	Cyclic advance	
		0	Initialization, no sign of life available	
14	Slave sign of life bit 2	1-15	Cyclic advance	
		0	Initialization, no sign of life available	
15	Slave sign of life bit 3	1-15	Cyclic advance	
		0	Initialization, no sign of life available	

Ready for switching on (central signal for "ready for switching on" state for DO) as of firmware version V2.6

The relevant DO in the drive/module line-up of a CU uses this signal to notify the CU that it is "ready for switching on". The signal is an AND operation which includes all "ready for switching on" signals of the DOs assigned to a CU (infeeds plus Motor Module/Power Module).

The DO1 telegram (telegrams 39x) signals the readiness of the DOs in the CU status word (CU_ZSW1.6) before the start command is issued.

The "ready for switching on" signal is evaluated continuously in cyclic mode.

- Ready for switching on = 1:
At least one of the active DOs assigned to a CU is in the "not ready for switching on" state.
- Ready for switching on = 0:
All the active DOs assigned to a CU are in the "ready for switching on" state. Deactivated DOs are interpreted as "ready for switching on".

Terminal Modules TM31, TM41, TM15-IO

The Terminal Modules generate their own ready signal when they have finished powering up.

The signal from a Terminal Module is evaluated on the axis DOs provided that a BICO relation to the module has been configured. If the Terminal Modules signal "not ready", the DOs remain in the "switching on inhibited" state. No start commands are expected while the DOs are signaling "switching on inhibited".

E_DIGITAL (digital inputs)

See function diagram [2498].

Table 10- 38 Description of E_DIGITAL (digital inputs)

Bit	Meaning		Remarks	BICO
0	Digital input/output 8 (DI/DO = 8)	-	DI/DO 8 on the Control Unit must be parameterized as an input (p0728.8 = 0).	BO: p0722.8
1	Digital input/output 9 (DI/DO = 9)	-	DI/DO 9 on the Control Unit must be parameterized as an input (p0728.9 = 0).	BO: p0722.9
2	Digital input/output 10 (DI/DO = 10)	-	DI/DO 10 on the Control Unit must be parameterized as an input (p0728.10 = 0).	BO: p0722.10
3	Digital input/output 11 (DI/DO = 11)	-	DI/DO 11 on the Control Unit must be parameterized as an input (p0728.11 = 0).	BO: p0722.11
4	Digital input/output 12 (DI/DO = 12)	-	DI/DO 12 on the Control Unit must be parameterized as an input (p0728.12 = 0).	BO: p0722.12
5	Digital input/output 13 (DI/DO = 13)	-	DI/DO 13 on the Control Unit must be parameterized as an input (p0728.13 = 0).	BO: p0722.13
6	Digital input/output 14 (DI/DO = 14)	-	DI/DO 14 on the Control Unit must be parameterized as an input (p0728.14 = 0).	BO: p0722.14
7	Digital input/output 15 (DI/DO = 15)	-	DI/DO 15 on the Control Unit must be parameterized as an input (p0728.15 = 0).	BO: p0722.15
8	Digital input 0 (DI 0)	-	Digital input DI 0 on the Control Unit	BO: r0722.0
9	Digital input 1 (DI 1)	-	Digital input DI 1 on the Control Unit	BO: r0722.1
10	Digital input 2 (DI 2)	-	Digital input DI 2 on the Control Unit	BO: r0722.2
11	Digital input 3 (DI 3)	-	Digital input DI 3 on the Control Unit	BO: r0722.3
12	Digital input 4 (DI 4)	-	Digital input DI 4 on the Control Unit	BO: r0722.4
13	Digital input 5 (DI 5)	-	Digital input DI 5 on the Control Unit	BO: r0722.5
14	Digital input 6 (DI 6)	-	Digital input DI 6 on the Control Unit	BO: r0722.6
15	Digital input 7 (DI 7)	-	Digital input DI 7 on the Control Unit	BO: r0722.7
Note: The bidirectional digital inputs/outputs (DI/DO) can be connected as either an input or an output (see also receive signal A_DIGITAL).				

MT_ZSW

Status word for the "central probe" function.

Table 10- 39 Description of MT_ZSW (status word for the "central probe" function)

Bit	Meaning		Remarks	BICO	
0	Digital input probe 1	–	Display of digital inputs For telegram 392, in addition, probes 3 and 6	CO: r0688	
1	Digital input probe 2	–			
2	Digital input probe 3	–			
3	Digital input probe 4	–			
4	Digital input probe 5	–			
5	Digital input probe 6	–			
6...7	Reserved	–	–		
8	Sub-sampling probe 1	–	Not yet carried out. For telegram 392, in addition, probes 3 and 6		
9	Sub-sampling probe 2	–			
8	Sub-sampling probe 3	–			
9	Sub-sampling probe 4	–			
8	Sub-sampling probe 5	–			
9	Sub-sampling probe 6	–			
10.. 15	Reserved	–			–

MTn_ZS_F and MTn_ZS_S

Display of the measuring time determined

The measuring time is specified as a 16-bit value with a resolution of 0.25 µs.

Features of the central probe

- The time stamps from probes in more than one drive can be transferred simultaneously in a single telegram.
- The time in the controller and drive unit is synchronized via CU_STW1 and the CU_ZSW1.
Note: The controller must support time synchronization!
- A higher-level controller can then use the time stamp to determine the actual position value of more than one drive.
- The system outputs a message if the measuring time determination function in the probe is already in use (see also p0488, p0489, and p0580).

Example: central probe

Assumptions for the example:

- Determination of the time stamp MT1_ZS_S by evaluating the rising edge of probe 1
- Determination of the time stamp MT2_ZS_S and MT2_ZS_F by evaluating the rising and falling edge of probe 2
- Probe 1 on DI/DO 9 of the Control Unit (p0680[0] = 1)
- Probe 2 on DI/DO 10 of the Control Unit (p0680[1] = 2)
- Manufacturer-specific telegram p0922 = 391 is set.

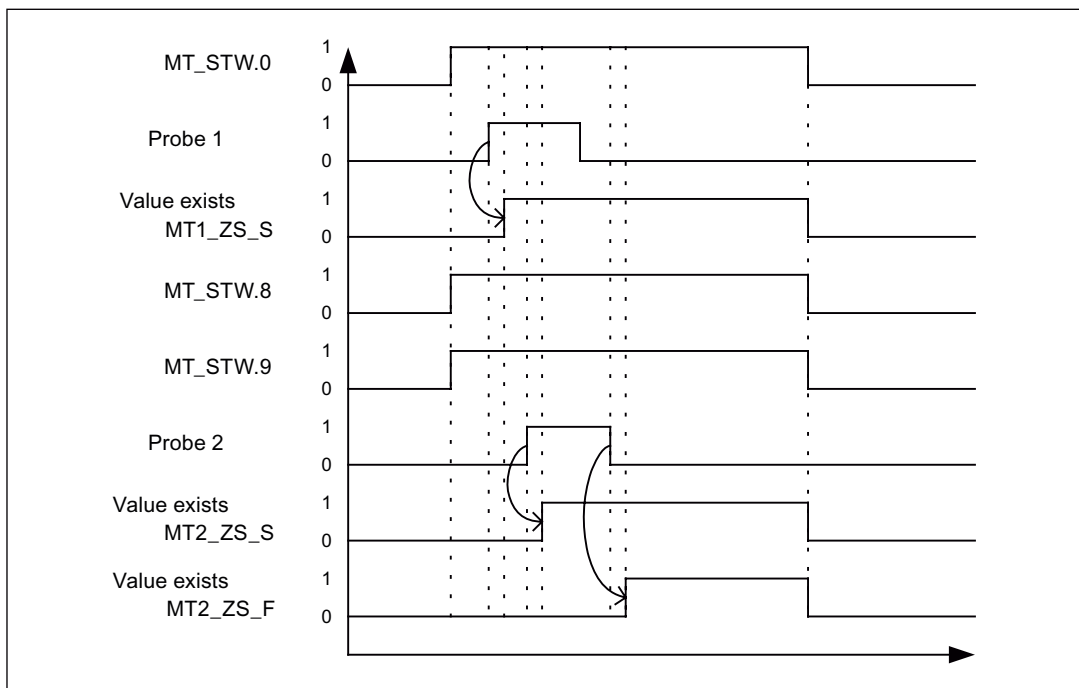


Figure 10-16 Sequence chart for central probe example

10.1.3.6 Motion Control with PROFIdrive

Description

The "Motion control with PROFIBUS" or "Motion Control with PROFINET" function can be used to implement an isochronous drive link between a master and one or more slaves via the PROFIBUS field bus or an isochronous drive link via PROFINET.

Note

The isochronous drive link is defined in the following documentation:
Reference: /P5/ PROFIdrive Profile Drive Technology

Properties

- No additional parameters need to be entered in addition to the bus configuration in order to activate this function, the master and slave must only be preset for this function (PROFIBUS).
- The master-side default setting is made via the hardware configuration, e.g. B. HWConfig with SIMATIC S7. The slave-side default setting is made via the parameterization telegram when the bus is ramping up.
- Fixed sampling times are used for all data communication.
- The Global Control (GC) clock information on PROFIBUS is transmitted before the beginning of each cycle.
- The length of the clock cycle depends on the bus configuration. When the clock cycle is selected, the bus configuration tool (e.g. HWConfig) supports:
 - High number of drives per slave/drive unit -> long cycle
 - High number of slaves/drive units -> long cycle
- A sign-of-life counter is used to monitor user data transfer and clock pulse failures.

Overview of closed-loop control

- Sensing of the actual position value on the slave can be performed using:
 - Indirect measuring system (motor encoder)
 - Additional direct measuring system
- The encoder interface must be configured in the process data.
- The control loop is closed via the PROFIBUS.
- The position controller is located on the master.
- The current and speed control systems and actual value sensing (encoder interface) are located on the slave.
- The position controller clock cycle is transmitted across the field bus to the slaves.

- The slaves synchronize their speed and/or current controller cycle with the position controller cycle on the master.
- The speed setpoint is specified by the master.

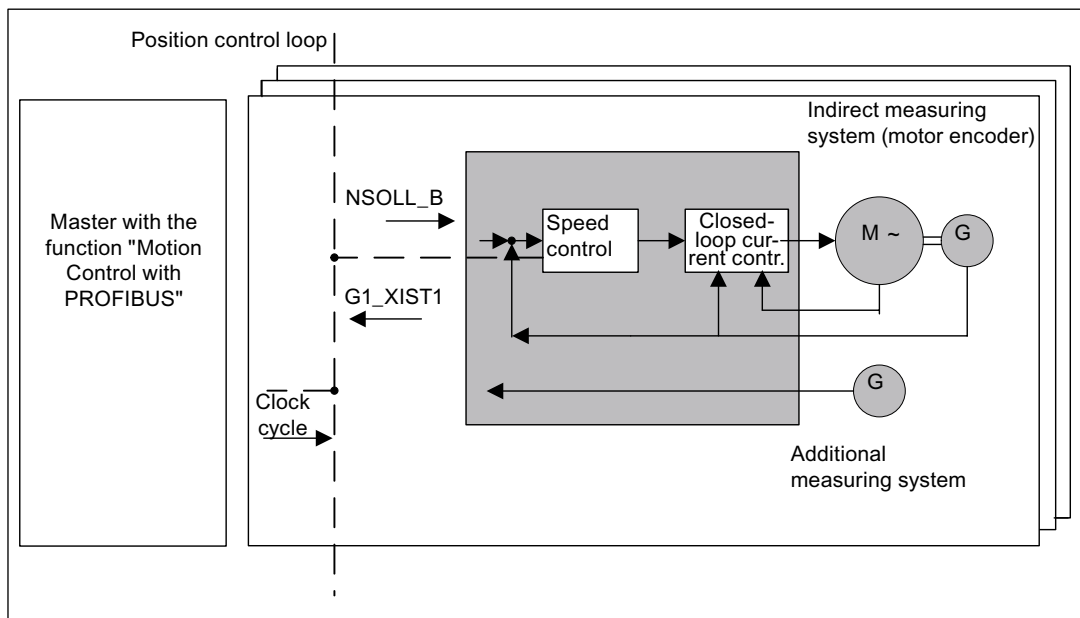


Figure 10-17 Overview of "Motion control with PROFIBUS" (example: master and 3 slaves)

Structure of the data cycle

The data cycle comprises the following elements:

1. Global Control telegram (PROFIBUS only)
2. Cyclic part
 - Setpoints and actual values
3. Acyclic part
 - Parameters and diagnostic data
4. Reserve (PROFIBUS only)
 - Transmission of token (TTH).
 - For searching for a new node in the drive line-up (GAP)
 - Waiting time until next cycle

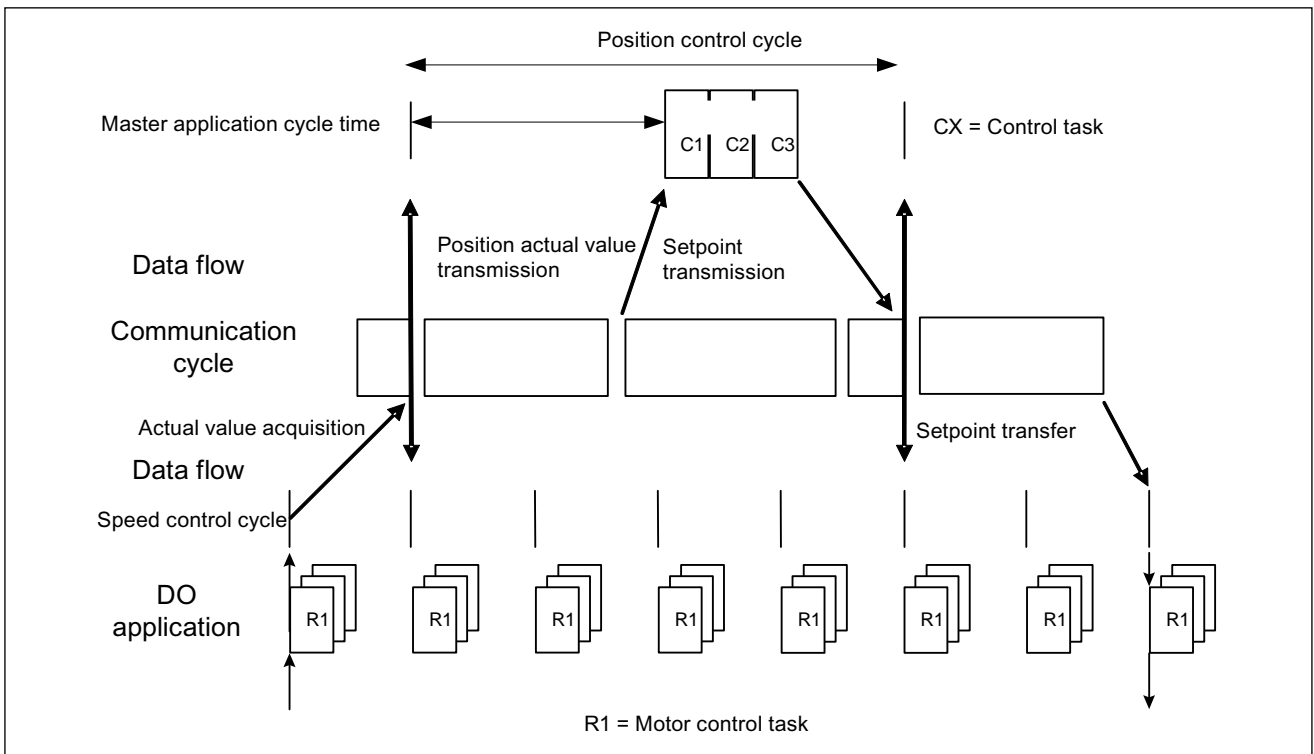


Figure 10-18 Isochronous drive link/Motion Control with PROFIdrive

10.1.4 Acyclic communication

10.1.4.1 General information about acyclic communication

Description

With acyclic communication, as opposed to cyclic communication, data transfer takes place only when an explicit request is made (e.g. in order to read and write parameters).

The read data set/write data set services are available for acyclic communication.

The following options are available for reading and writing parameters:

10.1 Communication according to PROFdrive

- S7 protocol
This protocol uses the STARTER commissioning tool, for example, in online mode via PROFIBUS.
- PROFdrive parameter channel with the following data sets:
 - PROFIBUS: Data block 47 (0x002F)
The DPV1 services are available for master class 1 and class 2.
 - PROFINET: Data block 47 and 0xB02F at global access, data set 0xB02E as local access

Note

Please refer to the following documentation for a detailed description of acyclic communication:

Reference: PROFdrive Profile V4.1, May 2006, Order No: 3.172

Addressing:

PROFIBUS DP, the addressing can either take the form of the logical address or the diagnostics address.

PROFINET IO, addressing is only undertaken using a diagnostics address which is assigned to a module as of socket 1. Parameters cannot be accessed via socket 0.

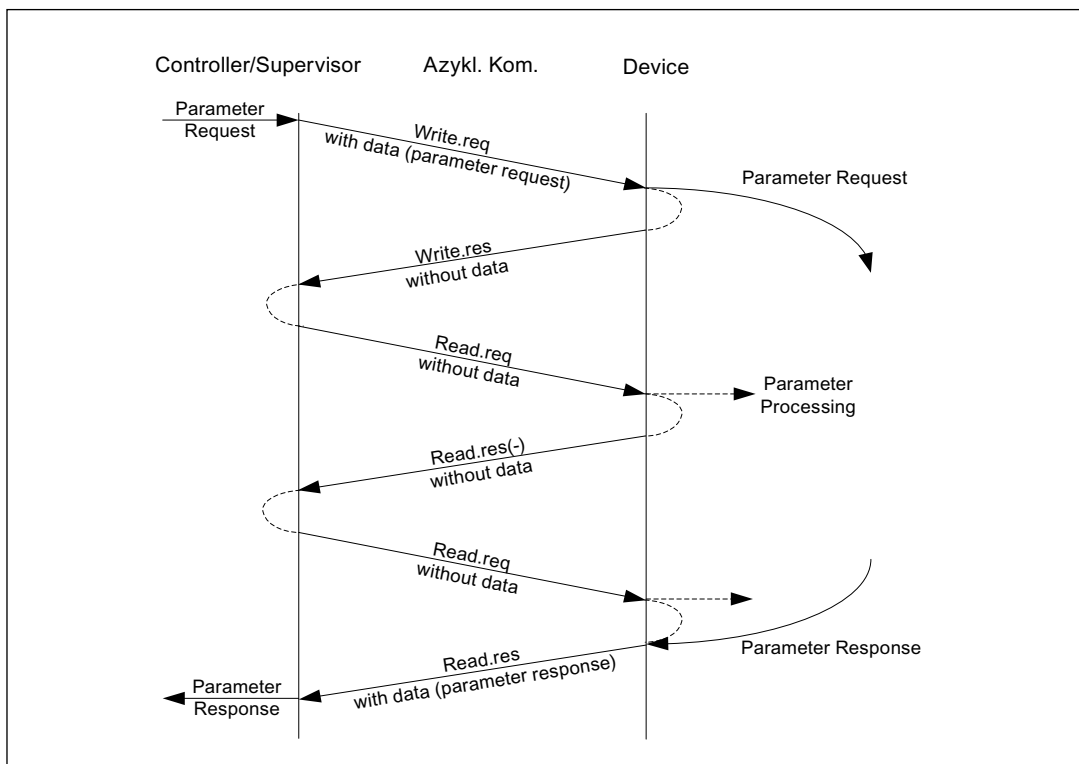


Figure 10-19 Reading and writing data

Characteristics of the parameter channel

- One 16-bit address each for parameter number and subindex.
- Concurrent access by several PROFIBUS masters (master class 2) or PROFINET IO supervisor (e.g. commissioning tool).
- Transfer of different parameters in one access (multiple parameter request).
- Transfer of complete arrays or part of an array possible.
- Only one parameter request is processed at a time (no pipelining).
- A parameter request/response must fit into a data set (max. 240 bytes).
- The task or response header are user data.

10.1.4.2 Structure of orders and responses

Structure of parameter request and parameter response

	Parameter request			Offset	
Values for write access only	Request header	Request reference	Request ID	0	
		Axis	No. of parameters	2	
	1. parameter address	Attribute	No. of elements	4	
		Parameter number		6	
		Subindex		8	
	...				
	nth parameter address	Attribute	No. of elements		
		Parameter number			
		Subindex			
	1. parameter value(s)	Format	No. of values		
		Values			
		...			
	...				
	nth parameter value(s)	Format	No. of values		
Values					
...					

	Parameter response			Offset
Values for read access only Error values for negative response only	Response header	Request reference mirrored	Response ID	0
		Axis mirrored	No. of parameters	2
	1. parameter value(s)	Format	No. of values	4
		Values or error values		6
	...			
	nth parameter value(s)	Format	No. of values	
		Values or error values		
		...		

Description of fields in DPV1 parameter request and response

Field	Data type	Values	Remark
Request reference	Unsigned8	0x01 ... 0xFF	
	Unique identification of the request/response pair for the master. The master changes the request reference with each new request. The slave mirrors the request reference in its response.		
Request ID	Unsigned8	0x01 0x02	Read request Write request
	Specifies the type of request. In the case of a write request, the changes are made in a volatile memory (RAM). A save operation is needed in order to transfer the data to the non-volatile memory (p0971, p0977).		
Response ID	Unsigned8	0x01 0x02 0x81 0x82	Read request (+) Write request (+) Read request (-) Write request (-)
	Mirrors the request identifier and specifies whether request execution was positive or negative. Negative means: Cannot execute part or all of request. The error values are transferred instead of the values for each subresponse.		
Drive object number	Unsigned8	0x00 ... 0xFF	Number
	Setting for the drive object number with a drive unit with more than one drive object. Different drive objects with separate parameter number ranges can be accessed over the same DPV1 connection.		
No. of parameters	Unsigned8	0x01 ... 0x27	No. 1 ... 39 Limited by DPV1 telegram length
	Defines the number of adjoining areas for the parameter address and/or parameter value for multi-parameter requests. The number of parameters = 1 for single requests.		
Attribute	Unsigned8	0x10 0x20 0x30	Value Description Text (not implemented)
	Type of parameter element accessed.		

Field	Data type	Values	Remark
No. of elements	Unsigned8	0x00 0x01 ... 0x75	Special function No. 1 ... 117 Limited by DPV1 telegram length
	Number of array elements accessed.		
Parameter number	Unsigned16	0x0001 ... 0xFFFF	No. 1 ... 65535
	Addresses the parameter accessed.		
Subindex	Unsigned16	0x0000 ... 0xFFFF	No. 0 ... 65535
	Addresses the first array element of the parameter to be accessed.		
Format	Unsigned8	0x02 0x03 0x04 0x05 0x06 0x07 0x08 Other values 0x40 0x41 0x42 0x43 0x44	Data type integer8 Data type integer16 Data type integer32 Data type unsigned8 Data type unsigned16 Data type unsigned32 Data type floating point See PROFIdrive profile V3.1 Zero (without values as a positive subresponse to a write request) Byte Word Double word Error
	The format and number specify the adjoining space containing values in the telegram. Data types in conformity with PROFIdrive Profile shall be preferred for write access. Bytes, words and double words are also possible as a substitute.		
No. of values	Unsigned8	0x00 ... 0xEA	No. 0 ... 234 Limited by DPV1 telegram length
	Specifies the number of subsequent values.		
Error values	Unsigned16	0x0000 ... 0x00FF	Meaning of error value --> see table 4-29
	The error values in the event of a negative response. If the values make up an odd number of bytes, a zero byte is appended. This ensures the integrity of the word structure of the telegram.		
Values	Unsigned16	0x0000 ... 0x00FF	
	The values of the parameter for read or write access. If the values make up an odd number of bytes, a zero byte is appended. This ensures the integrity of the word structure of the telegram.		

Error values in DPV1 parameter responses

Table 10- 40 Error values in DPV1 parameter responses

Error value	Meaning	Remark	Additional info
0x00	Illegal parameter number	Access to a parameter which does not exist.	–
0x01	Parameter value cannot be changed	Modification access to a parameter value which cannot be changed.	Subindex
0x02	Lower or upper value limit exceeded	Modification access with value outside value limits.	Subindex
0x03	Invalid subindex	Access to a subindex which does not exist.	Subindex
0x04	No array	Access with subindex to an unindexed parameter.	–
0x05	Wrong data type	Modification access with a value which does not match the data type of the parameter.	–
0x06	Illegal set operation (only reset allowed)	Modification access with a value not equal to 0 in a case where this is not allowed.	Subindex
0x07	Description element cannot be changed	Modification access to a description element which cannot be changed.	Subindex
0x09	No description data	Access to a description which does not exist (the parameter value exists).	–
0x0B	No operating priority	Modification access with no operating priority.	–
0x0F	No text array exists	Access to a text array which does not exist (the parameter value exists).	–
0x11	Request cannot be executed due to operating status	Access is not possible temporarily for unspecified reasons.	–
0x14	Illegal value	Modification access with a value which is within the limits but which is illegal for other permanent reasons (parameter with defined individual values).	Subindex
0x15	Response too long	The length of the present response exceeds the maximum transfer length.	–
0x16	Illegal parameter address	Impermissible or unsupported value for attribute, number of elements, parameter number, subindex or a combination of these.	–
0x17	Illegal format	Write request: illegal or unsupported parameter data format	–
0x18	No. of values inconsistent	Write request: a mismatch exists between the number of values in the parameter data and the number of elements in the parameter address.	–
0x19	Drive object does not exist	You have attempted to access a drive object that does not exist.	–
0x65	Presently deactivated.	You have tried to access a parameter that, although available, is currently inactive (e.g. n control set and access to parameter from V/f control).	–
0x6B	Parameter %s [%s]: no write access for the enabled controller	–	–
0x6C	Parameter %s [%s]: unit unknown	–	–
0x6D	Parameter %s [%s]: Write access only in the commissioning state, encoder (p0010 = 4).	–	–

Error value	Meaning	Remark	Additional info
0x6E	Parameter %s [%s]: Write access only in the commissioning state, motor (p0010 = 3).	–	–
0x6F	Parameter %s [%s]: Write access only in the commissioning state, power unit (p0010 = 2).	–	–
0x70	Parameter %s [%s]: Write access only in the quick commissioning mode (p0010 = 1).	–	–
0x71	Parameter %s [%s]: Write access only in the ready mode (p0010 = 0).	–	–
0x72	Parameter %s [%s]: Write access only in the commissioning state, parameter reset (p0010 = 30).	–	–
0x73	Parameter %s [%s]: Write access only in the commissioning state, Safety (p0010 = 95).	–	–
0x74	Parameter %s [%s]: Write access only in the commissioning state, tech. application/units (p0010 = 5).	–	–
0x75	Parameter %s [%s]: Write access only in the commissioning state (p0010 not equal to 0).	–	–
0x76	Parameter %s [%s]: Write access only in the commissioning state, download (p0010 = 29).	–	–
0x77	Parameter %s [%s] may not be written in download.	–	–
0x78	Parameter %s [%s]: Write access only in the commissioning state, drive configuration (device: p0009 = 3).	–	–
0x79	Parameter %s [%s]: Write access only in the commissioning state, define drive type (device: p0009 = 2).	–	–
0x7A	Parameter %s [%s]: Write access only in the commissioning state, data set basis configuration (device: p0009 = 4).	–	–
0x7B	Parameter %s [%s]: Write access only in the commissioning state, device configuration (device: p0009 = 1).	–	–
0x7C	Parameter %s [%s]: Write access only in the commissioning state, device download (device: p0009 = 29).	–	–
0x7D	Parameter %s [%s]: Write access only in the commissioning state, device parameter reset (device: p0009 = 30).	–	–

10.1 Communication according to PROFdrive

Error value	Meaning	Remark	Additional info
0x7E	Parameter %s [%s]: Write access only in the commissioning state, device ready (device: p0009 = 0).	–	–
0x7F	Parameter %s [%s]: Write access only in the commissioning state, device (device: p0009 not 0).	–	–
0x81	Parameter %s [%s] may not be written in download.	–	–
0x82	Transfer of the control authority (master) is inhibited by BI: p0806.	–	–
0x83	Parameter %s [%s]: requested BICO interconnection not possible	BICO output does not supply float values. The BICO input, however, requires a float value.	–
0x84	Parameter %s [%s]: parameter change inhibited (refer to p0300, p0400, p0922)	–	–
0x85	Parameter %s [%s]: access method not defined.	–	–
0xC8	Below the valid values.	Modification request for a value that, although within "absolute" limits, is below the currently valid lower limit.	–
0xC9	Above the valid values.	Modification request for a value that, although within "absolute" limits, is below the currently valid lower limit (e.g. governed by the current converter rating).	–
0xCC	Write access not permitted.	Write access is not permitted because an access key is not available.	–

10.1.4.3 Determining the drive object numbers

Further information about the drive system (e.g. drive object numbers) can be determined as follows using parameters p0101, r0102, and p0107/r0107:

1. The value of parameter r0102 ("Number of drive objects") for drive object/axis 1 is read via a read request.

Drive object 1 is the Control Unit (CU), which is a minimum requirement for each drive system.

2. Depending on the result of the initial read request, further read requests for drive object 1 are used to read the indices for parameter p0101 ("Drive object numbers"), as specified by parameter r0102.

Example:

If the number of drive objects is "5", the values for indices 0 to 4 for parameter p0101 are read. Of course, the relevant indexes can also be read at once.

Note

The first two points provide you with the following information:

- How many drive objects exist in the drive system?
- The numbers of the existing drive objects

-
3. Following this, parameter r0107/p0107 ("Drive object type") is read for each drive object/axis (indicated by the drive object number).

Depending on the drive object, parameter 107 can be either an adjustable or visualization parameter.

The value in parameter r0107/p0107 indicates the drive object type. The coding for the drive object type is specified in the parameter list.

4. From here, refer to the parameter list for each drive object.

10.1.4.4 Example 1: read parameters

Prerequisites

1. The PROFdrive controller has been commissioned and is fully operational.
2. PROFdrive communication between the controller and the device is operational.
3. The controller can read and write data sets in conformance with PROFdrive DPV1.

Task description

Following the occurrence of at least one fault (ZSW1.3 = "1") on drive 2 (also drive object number 2), the active fault codes must be read from the fault buffer r0945[0] ... r0945[7].

The request is to be handled using a request and response data block.

Basic procedure

1. Create a request to read the parameters.
2. Invoke the request.
3. Evaluate the response.

Activity

1. Create the request.

Parameter request			Offset
Request header	Request reference = 25 hex	Request ID = 01 hex	0 + 1
	Axis = 02 hex	No. of parameters = 01 hex	2 + 3
parameter address	Attribute = 10 hex	No. of elements = 08 hex	4 + 5
	Parameter no. = 945 dec		6
	Subindex = 0 dec		8

Information about the parameter request:

- Request reference:
The value is selected at random from the valid value range. The request reference establishes the relationship between request and response.
- Request ID:
01 hex → This identifier is required for a read request.
- Axis:
02 hex → Drive 2, fault buffer with drive- and device-specific faults
- No. of parameters:
01 hex → One parameter is read.

- Attribute:
10 hex → The parameter values are read.
 - No. of elements:
08 hex → The current fault incident with 8 faults is to be read.
 - Parameter number:
945 dec → p0945 (fault code) is read.
 - Subindex:
0 dec → Read access starts at index 0.
1. Invoke the parameter request.
If ZSW1.3 = "1" → Invoke parameter request
 2. Evaluate the parameter response.

Parameter response			Offset
Response header	Request reference mirrored = 25 hex	Response ID = 01 hex	0 + 1
	Axis mirrored = 02 hex	No. of parameters = 01 hex	2 + 3
Parameter value	Format = 06 hex	No. of values = 08 hex	4 + 5
	1. value = 1355 dec		6
	2. value = 0 dec		8

	8. value = 0 dec		20

Information about the parameter response:

- Request reference mirrored:
This response belongs to the request with request reference 25.
- Response ID:
01 hex → Read request positive, values stored as of 1st value
- Axis mirrored, no. of parameters:
The values correspond to the values from the request.
- Format:
06 hex → Parameter values are in Unsigned16 format.
- No. of values:
08 hex → 8 parameter values are available.
- 1. value ... 8th value
A fault is only entered in value 1 of the fault buffer for drive 2.

Basic procedure

1. Create a request to write the parameters.
2. Invoke the request.
3. Evaluate the response.

Activity

1. Create the request.

Parameter request			Offset
Request header	Request reference = 40 hex	Request ID = 02 hex	0 + 1
	Axis = 02 hex	No. of parameters = 04 hex	2 + 3
1. parameter address	Attribute = 10 hex	No. of elements = 01 hex	4 + 5
	Parameter no. = 1055 dec		6
	Subindex = 0 dec		8
2. parameter address	Attribute = 10 hex	No. of elements = 01 hex	10 + 11
	Parameter no. = 1056 dec		12
	Subindex = 0 dec		14
3. parameter address	Attribute = 10 hex	No. of elements = 01 hex	16 + 17
	Parameter no. = 1058 dec		18
	Subindex = 0 dec		20
4. parameter address	Attribute = 10 hex	No. of elements = 01 hex	22 + 23
	Parameter no. = 1059 dec		24
	Subindex = 0 dec		26
4. parameter address	Attribute = 10 hex	No. of elements = 01 hex	22 + 23
	Parameter no. = 1059 dec		24
	Subindex = 0 dec		26
4. parameter address	Attribute = 10 hex	No. of elements = 01 hex	22 + 23
	Parameter no. = 1059 dec		24
	Subindex = 0 dec		26
1. parameter value(s)	Format = 07 hex	No. of values = 01 hex	28 + 29
	Value = 02D2 hex		30
	Value = 0404 hex		32
2. parameter value(s)	Format = 07 hex	No. of values = 01 hex	34 + 35
	Value = 02D2 hex		36
	Value = 0405 hex		38
3. parameter value(s)	Format = 08 hex	No. of values = 01 hex	40 + 41
	Value = 4396 hex		42
	Value = 0000 hex		44
4. parameter value(s)	Format = 08 hex	No. of values = 01 hex	46 + 47
	Value = 4416 hex		48
	Value = 0000 hex		50

Information about the parameter request:

- Request reference:
The value is selected at random from the valid value range. The request reference establishes the relationship between request and response.
- Request ID:
02 hex → This identifier is required for a write request.
- Axis:
02 hex → The parameters are written to drive 2.
- No. of parameters
04 hex → The multi-parameter request comprises 4 individual parameter requests.

1. parameter address ... 4th parameter address

- Attribute:
10 hex → The parameter values are to be written.
- No. of elements
01 hex → 1 array element is written.
- Parameter number
Specifies the number of the parameter to be written (p1055, p1056, p1058, p1059).
- Subindex:
0 dec → ID for the first array element.

1. parameter value ... 4th parameter value

- Format:
07 hex → Data type Unsigned32
08 hex → Data type FloatingPoint
- No. of values:
01 hex → A value is written to each parameter in the specified format.
- Value:
BICO input parameter: enter signal source.
Adjustable parameter: enter value

2. Invoke the parameter request.
3. Evaluate the parameter response.

Parameter response			Offset
Response header	Request reference mirrored = 40 hex	Response ID = 02 hex	0
	Axis mirrored = 02 hex	No. of parameters = 04 hex	2

Information about the parameter response:

- Request reference mirrored:
This response belongs to the request with request reference 40.
- Response ID:
02 hex → Write request positive
- Axis mirrored:
02 hex → The value matches the value from the request.
- No. of parameters:
04 hex → The value matches the value from the request.

10.2 Communication via PROFIBUS DP

10.2.1 General information about PROFIBUS

10.2.1.1 General information about PROFIBUS for SINAMICS

General information

PROFIBUS is an open international field bus standard for a wide range of production and process automation applications.

The following standards ensure open, multi-vendor systems:

- International standard EN 50170
- International standard IEC 61158

PROFIBUS is optimized for high-speed, time-critical data communication at field level.

Note

PROFIBUS for drive technology is standardized and described in the following document:
Reference: /P5/ PROFIdrive Profile Drive Technology

CAUTION

Before synchronizing to the isochronous PROFIBUS, all of the pulses of the drive objects must be inhibited - also for those drives that are not controlled via PROFIBUS.
--

The cyclic PZD channel is deactivated when the CBE20 is plugged in!
--

 CAUTION
--

No CAN cables must be connected to interface X126. If CAN cables are connected, the CU320 and other CAN bus nodes may be destroyed.

Master and slave

- Master and slave properties

Table 10- 41 Master and slave properties

Properties	Master	Slave
As bus node	Active	Passive
Send messages	Permitted without external request	Only possible on request by master
Receive messages	Possible with no restrictions	Only receive and acknowledge permitted

- Master

Masters are categorized into the following classes:

- Master class 1 (DPMC1):

Central automation stations that exchange data with the slaves in cyclic and acyclic mode. Communication between the masters is also possible.

Examples: SIMATIC S7, SIMOTION

- Master class 2 (DPMC2):

Devices for configuration, commissioning, operator control and monitoring during bus operation. Devices that only exchange data with the slaves in acyclic mode.

Examples: Programming devices, human machine interfaces

- Slaves

With respect to PROFIBUS, the SINAMICS drive unit is a slave.

Bus access method

PROFIBUS uses the token passing method, i.e. the active stations (masters) are arranged in a logical ring in which the authorization to send is received within a defined time frame.

Within this time frame, the master with authorization to send can communicate with other masters or handle communication with the assigned slaves in a master/slave procedure.

PROFIBUS telegram for cyclic data transmission and acyclic services

Each drive unit that supports cyclic process data exchange uses a telegram to send and receive all the process data. A separate telegram is sent in order to perform all the acyclic services (read/write parameters) under a single PROFIBUS address. The acyclic data is transmitted with a lower priority after cyclic data transmission.

The overall length of the telegram increases with the number of drive objects that are involved in exchanging process data.

Sequence of drive objects in the telegram

On the drive side, the sequence of drive objects in the telegram is displayed via a list in p0978[0...15] where it can also be changed.

You can use the STARTER commissioning tool to display the sequence of drive objects for a commissioned drive system in online mode by choosing → "Drive unit" → "Configuration".

When you create the configuration on the master side (e.g. HWConfig), the process-data-capable drive objects for the application are added to the telegram in this sequence.

The following drive objects can exchange process data:

Drive object

- Active Infeed (A_INF)
- Basic Infeed (B_INF)
- Smart Infeed (S_INF)
- SERVO
- VECTOR

- Terminal Module 15 (TM15DI/DO)
- Terminal Module 31 (TM31)
- Terminal Module 41 (TM41)
- Terminal Board 30 (TB30)
- Control Unit (CU_S)

Note

The sequence of drive objects in the configuration must be the same as that in the drive system.

The structure of the telegram depends on the drive objects taken into account during configuration. Configurations that do not take into account all of the drive objects in the drive system are permitted.

Example:

The following configurations, for example, are possible:

- Configuration with SERVO, SERVO, SERVO
- Configuration with A_INF, SERVO, SERVO, SERVO, TB30
- and others

10.2.1.2 Example: telegram structure for cyclic data transmission

Task

The drive system comprises the following drive objects:

- Control Unit (CU_S)
- Active Infeed (A_INF)
- SERVO 1 (comprises a Single Motor Module and other components)
- SERVO 2 (comprises a Double Motor Module terminal X1 and other components)
- SERVO 3 (comprises a Double Motor Module terminal X2 and other components)
- Terminal Board 30 (TB30)

The process data is to be exchanged between the drive objects and the higher-level automation system.

- Telegrams to be used:
 - Telegram 370 for Active Infeed
 - Standard telegram 6 for servo
 - User defined for Terminal Board 30

Component and telegram structure

The predefined component structure results in the telegram structure shown in the following diagram.

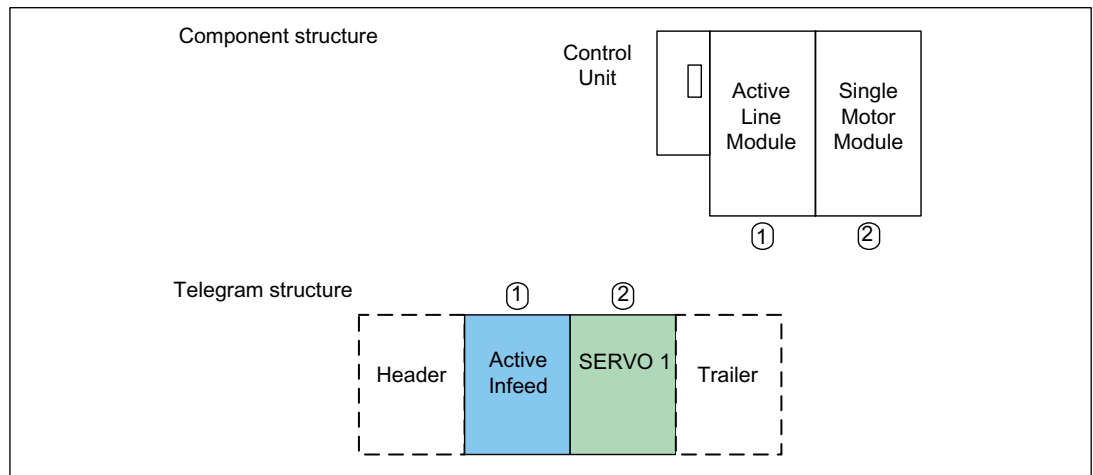


Figure 10-21 Component and telegram structure

You can check and change the sequence of the telegrams via p0978[0...15].

Configuration settings (e.g. HWConfig for SIMATIC S7)

The components are mapped to objects for configuration.

Due to the telegram structure shown, the objects in the "DP slave properties" overview must be configured as follows:

- | | |
|-----------------------------|---------------------|
| • Active Infeed (A_INF): | Telegram 370 |
| • SERVO 1: | Standard telegram 6 |
| • SERVO 2: | Standard telegram 6 |
| • SERVO 3: | Standard telegram 6 |
| • Terminal Board 30 (TB30): | User defined |

DP slave properties – overview

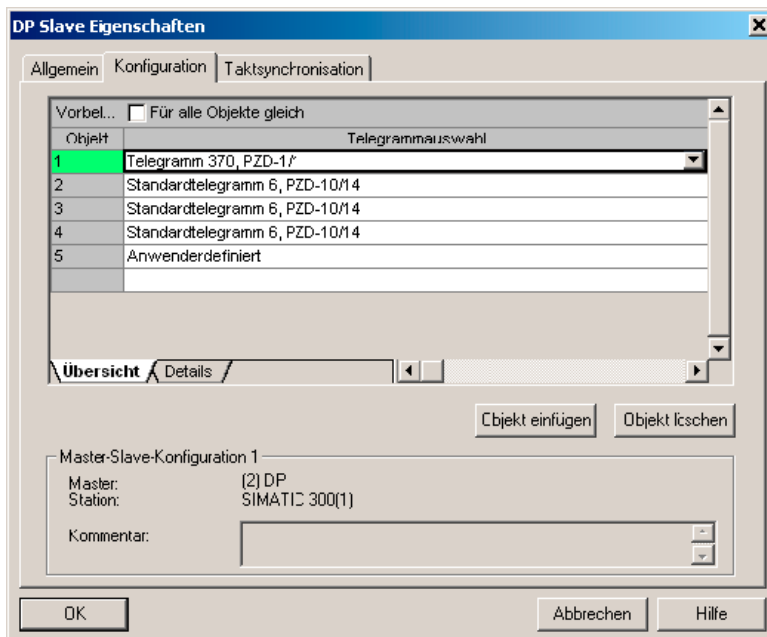


Figure 10-22 Slave properties – overview

When you click "Details", the properties of the configured telegram structure are displayed (e.g. I/O addresses, axis separator).

DP slave properties – details

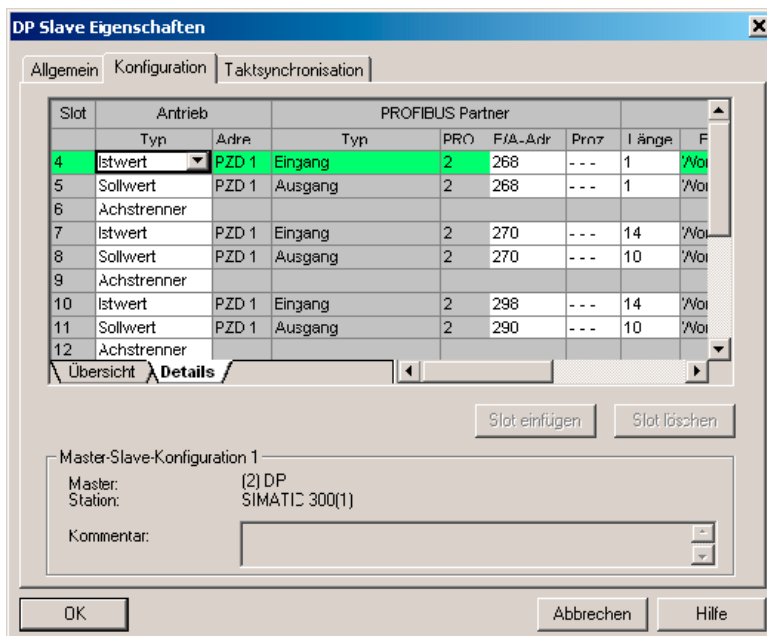


Figure 10-23 Slave properties – details

The axis separator separates the objects in the telegram as follows:

- Slot 4 and 5: Object 1 → Active Infeed (A_INF)
 - Slot 7 and 8: Object 2 → SERVO 1
 - Slot 10 and 11: Object 3 → SERVO 2
- etc.

10.2.2 Commissioning PROFIBUS

10.2.2.1 General information about commissioning

Interfaces and diagnostic LED

A PROFIBUS interface with LEDs and address switches is available as standard on the Control Unit.

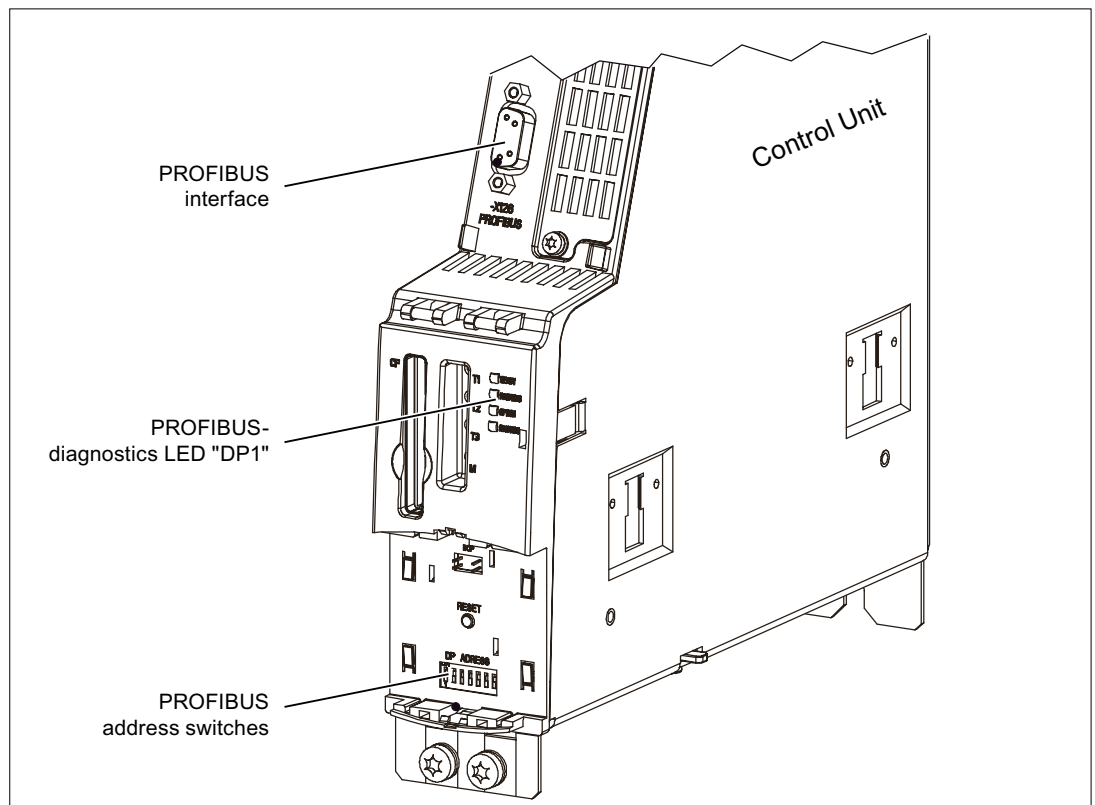


Figure 10-24 Interfaces and diagnostic LED

- PROFIBUS interface

The PROFIBUS interface is described in the following documentation:

References: /GH1/ SINAMICS S120 Equipment Manual for Control Units and Additional System Components

- PROFIBUS diagnostic LED

Note

A teleservice adapter can be connected to the PROFIBUS interface (X126) for remote diagnostics purposes.

Setting the PROFIBUS address

Two methods are available for setting the PROFIBUS address:

1. Via the PROFIBUS address switches on the Control Unit
 - In this case, p0918 is read-only and simply displays the set address.
 - A change is not effective until POWER ON.
2. Via p0918
 - You can only use this method when all the PROFIBUS address switches from S1 to S7 are set to ON or OFF.
 - Address changes made via parameters must be saved in a non-volatile memory using the "Copy from RAM to ROM" function.
 - A change is not effective until POWER ON.

Example:

Setting the PROFIBUS address using the PROFIBUS address switches on the Control Unit.

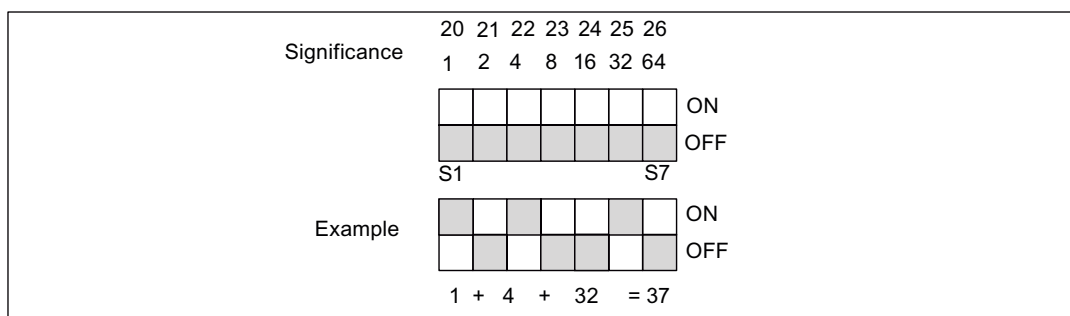


Figure 10-25 Example: PROFIBUS address via PROFIBUS address switch on Control Unit

Note

The factory settings are "ON" or "OFF" for all switches. With these two settings, the PROFIBUS address is set by parameterization.

Parameter p0918 is unique to the Control Unit (see Control Unit). The factory setting is 126.

Address 126 is used for commissioning. Permitted PROFIBUS addresses are 1 ... 126.

If more than one CU is connected to a PROFIBUS line, the address settings must differ from the factory settings. Note that each address can only be assigned once on a PROFIBUS line. This can be achieved using the address switch or by setting parameter p0918 accordingly. The setting can be made by connecting the 24 V supply step by step and resetting p0918, for example.

The address setting on the switch is displayed in r2057.

Each change made to the bus address is not effective until POWER ON.

Device master file

A device master file provides a full and clear description of the features of a PROFIBUS slave.

The GSD files can be found at the following locations:

- On the Internet: <http://www4.ad.siemens.de/WW/view/de/113204>
- On the CD for the STARTER commissioning tool
Order no. 6SL3072-0AA00-0AGx
- On the memory card in directory
\\SIEMENS\SINAMICS\DATA\CFG\

Note for commissioning for VIK-NAMUR

To be able to operate a SINAMICS drive as a VIK-NAMUR drive, standard telegram 20 must be set and the VIK-NAMUR identification number activated via p2042 =1.

Device identification

An identification parameter for individual slaves facilitates diagnostics and provides an overview of the nodes on the PROFIBUS.

The information for each slave is stored in the following CU-specific parameter:
r0964[0...6] device identification

Bus terminating resistor and shielding

Reliable data transmission via PROFIBUS depends, amongst other things, on the setting for the bus terminating resistors and the shielding for the PROFIBUS cables.

- Bus terminating resistor

The bus terminating resistors in the PROFIBUS plugs must be set as follows:

- First and last nodes in the line: switch on terminating resistor
- Other nodes in the line: switch off terminating resistor

- Shielding for the PROFIBUS cables

The cable shield in the plug must be connected at both ends with the greatest possible surface area.

References: /GH1/ SINAMICS S120 Equipment Manual for Control Units and Additional System Components

10.2.2.2 Commissioning procedure

Preconditions and assumptions for commissioning

PROFIBUS slave

- The PROFIBUS address to be set for the application is known.
- The telegram type for each drive object is known by the application.

PROFIBUS master

- The communication properties of the SINAMICS S120 slave must be available in the master (GSD file or drive ES slave OM).

Commissioning steps (example with SIMATIC S7)

1. Set the PROFIBUS address on the slave.
2. Set the telegram type on the slave.
3. Carry out the following in HWConfig:
 - Connect the drive to PROFIBUS and assign an address.
 - Set the telegram type.

The same telegram type as on the slave should be set for every drive object exchanging process data via PROFIBUS.

The master can send more process data than the slave uses. A telegram with a larger PZD number than is assigned for the drive object STARTER can be configured on the master. The PZDs not supplied by the drive object are filled with zeros.

The setting "without PZD" can be defined on a node or object (e.g. infeed controlled via terminals).

4. The I/O addresses must be assigned in accordance with the user program.

10.2.2.3 Diagnostics options

The standard slave diagnostics can be read online in the HW config.

10.2.2.4 SIMATIC HMI addressing

You can use a SIMATIC HMI as a PROFIBUS master (master class 2) to access SINAMICS directly. With respect to SIMATIC HMI, SINAMICS behaves like a SIMATIC S7. For accessing drive parameters, the following simple rule applies:

- Parameter number = data block number
- Parameter sub-index = bit 0 - 9 of data block offset
- Drive object number = bit 10 - 15 of data block offset

Pro Tool and WinCC flexible

The SIMATIC HMI can be configured flexibly with "Pro Tool" or "WinCC flexible".

The following specific settings for drives must be observed when configuration is carried out with Pro Tool or WinCC flexible.

Controllers: Protocol always "SIMATIC S7 – 300/400"

Table 10- 42 Other parameters

Field	Value
Network parameter profile	DP
Network parameter baud rate	Any
Communication partner address	PROFIBUS address of the drive unit
Communication partner slot/subrack	don't care, 0

Table 10- 43 Tags: "General" tab

Field	Value
Name	Any
Control	Any
Type	Depending on the addressed parameter value, e.g.: INT: for integer 16 DINT: for integer 32 WORD: for unsigned 16 REAL: for float
Area	DB
DB (data block number)	Parameter number 1 ... 65535
DBB, DBW, DBD (data block offset)	Drive object no. and subindex Bit 15 – 10: Drive object no. 0 ... 63 Bit 9 – 0: Sub-index 0 ... 1023 In other words: DBW = 1024 * drive object no. + sub-index
Length	Not activated
Acquisition cycle	Any
No. of elements	1
Decimal places	Any

Note

- You can operate a SIMATIC HMI together with a drive unit independently of an existing control.
A basic "point-to-point" connection can only be established between two nodes (devices).
- The "variable" HMI functions can be used for drive units. Other functions cannot be used (e.g. "messages" or "recipes").
- Individual parameter values can be accessed. Entire arrays, descriptions, or texts cannot be accessed.

10.2.2.5 Monitoring: telegram failure

Description

After a telegram failure and the additional monitoring time has elapsed (p2047), bit r2043.0 is set to "1" and alarm A01920 is output. Binector output r2043.0 can be used for an emergency stop, for example.

Once the delay time (p2044) has elapsed, fault F01910 is output. Fault F01910 triggers fault response OFF2 (pulse inhibit) for the infeed and OFF3 (emergency stop) for SERVO/VECTOR. If no OFF response is to be triggered, the fault response can be reparameterized accordingly.

Fault F01910 can be acknowledged immediately. The drive can then be operated even without PROFIdrive.

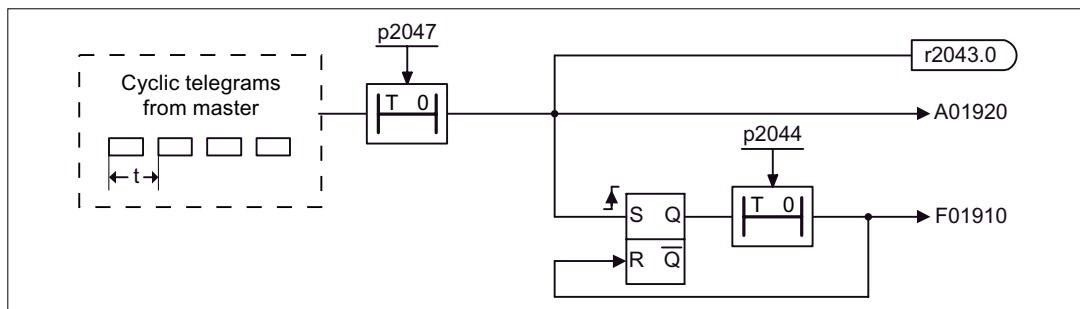


Figure 10-26 Monitoring: telegram failure

Example: emergency stop with telegram failure

Assumption:

- A drive unit with an Active Line Module and a Single Motor Module.
- VECTOR mode is activated.
- After a ramp-down time (p1135) of two seconds, the drive is at a standstill.

Settings:

- CU p2047 = 20 ms
- A_INF p2044 = 2 ms
- VECTOR p2044 = 0 ms

Sequence:

Following a telegram failure and once the additional monitoring time (p2047) has elapsed, binector output r2043.0 of drive object CU switches to "1". At the same time, alarm A01920 is output for the A_INF drive objects and alarm A01920 and fault F01910 are output for VECTOR. When F01910 is output, an OFF3 is triggered for the drive. After a two-second delay time (p2044), fault F01910 is output on the infeed and triggers OFF2.

Note

The additional monitoring time parameter p2047 is only useful for cyclic communication. During isochronous communication, a telegram failure should be recorded without delay, in order to respond as quickly as possible.

10.2.3 Motion Control with PROFIBUS

Motion Control /Isochronous drive link with PROFIBUS

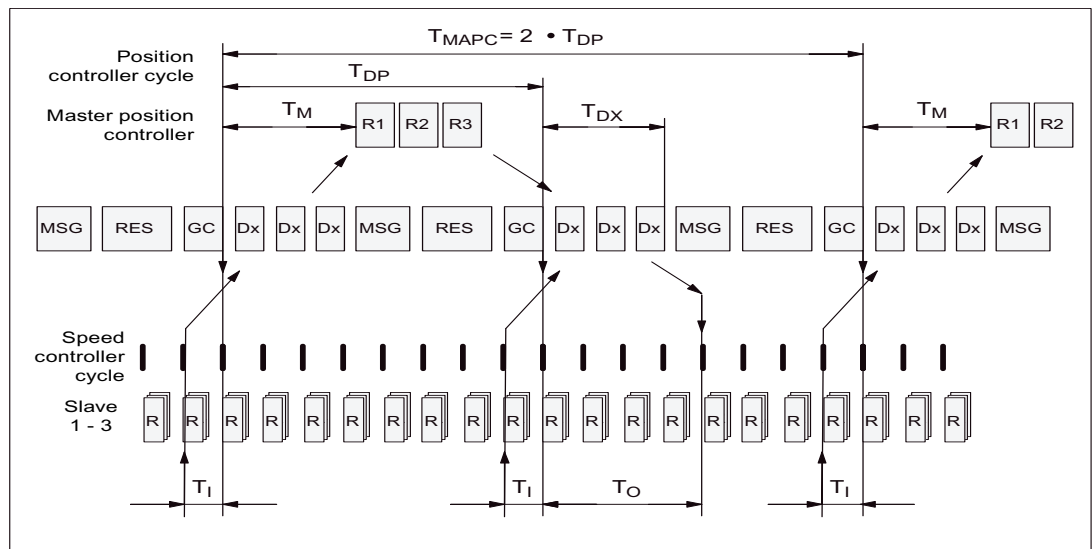


Figure 10-27 Motion Control/Isochronous drive link with PROFIBUS, optimized cycle with $T_{MAPC} = 2 \cdot T_{DP}$

Sequence of data transfer to closed-loop control system

1. Position actual value G1_XIST1 is read into the telegram image at time T_I before the start of each cycle and transferred to the master in the next cycle.
2. Closed-loop control on the master starts at time T_M after each position controller cycle and uses the current actual values read previously from the slaves.
3. In the next cycle, the master transmits the calculated setpoints to the telegram image of the slaves. The speed setpoint command NSOLL_B is issued to the closed-loop control system at time T_O after the beginning of the cycle.

Designations and descriptions for Motion Control

Table 10- 44 Time settings and meanings

Name	Value ¹⁾	Limit value	Description
T_{BASE_DP}	BB8 hex ≙ 3000 dec	-	Time basis for T_{DP} calculation: $T_{BASE_DP} = 3000 \cdot T_{Bit} = 250 \mu s$ $T_{Bit} = 1/12 \mu s$ at 12 Mbaud T_{BASE_DP} corresponds to the longest current controller cycle (p0115[0]) of a drive object (servo/vector) (at least 250 μs).
T_{DP}	4	$T_{DP} \geq T_{DP_MIN}$	DP cycle time $T_{DP} = \text{integer multiple} \cdot T_{BASE_DP}$ calculation: $T_{DP} = 4 \cdot T_{BASE_DP} = 1 \text{ ms}$
		$T_{DP_MIN} = 4$	Min. DP cycle time calculation: $T_{DP_MIN} = 4 \cdot T_{BASE_DP} = 1 \text{ ms}$
		$T_{DP_MAX} = 128$	Max. DP_cycle time Calculation: $T_{DP_MAX} = 128 \cdot T_{BASE_DP} = 32 \text{ ms}$
T_{MAPC}	1	$n \cdot T_{DP}$ $n = 1 - 14$	Master application cycle time This is the time frame in which the master application generates new setpoints (e.g. in the position controller cycle). Calculation: $T_{MAPC} = 1 \cdot T_{DP} = 1 \text{ ms}$
T_{SAPC}			Slave application cycle time
T_{BASE_IO}	5DC hex ≙ 1500 dec	-	Time basis for T_I , T_O calculation: $T_{BASE_IO} = 1500 \cdot T_{Bit} = 125 \mu s$ $T_{Bit} = 1/12 \mu s$ at 12 Mbaud T_{BASE_IO} corresponds to the longest current controller cycle (p0115[0]) of a drive object (servo/vector) in the drive unit (at least 125 μs).
T_I	2	$T_{I_MIN} \leq T_I < T_{DP}$	Time of actual-value sensing This is the time at which the actual position value is captured before the start of each cycle. $T_I = \text{integer multiple of } T_{BASE_IO}$ calculation: $T_I = 2 \cdot T_{BASE_IO} = 250 \mu s$ When $T_I = 0$: $T_I = T_{DP}$
		$T_{I_MIN} = 1$	Min. T_I calculation: $T_{I_MIN} = 1 \cdot T_{BASE_IO} = 125 \mu s$ T_{I_MIN} corresponds to the longest current controller cycle (p0115[0]) of a drive object (servo/vector) in the drive unit (at least 125 μs).

Name	Value ¹⁾	Limit value	Description
T _O	4	$T_{DX} + T_{O_MIN} \leq T_O \leq T_{DP}$	<p>Time of setpoint transfer This is the time at which the transferred setpoints (speed setpoint) are accepted by the closed-loop control system after the start of the cycle.</p> <p>$T_O = \text{integer multiple of } T_{BASE_IO}$ Servo calculation: $T_O = 4 \cdot T_{BASE_IO} = 500 \mu\text{s}$ When $T_O = 0$: $T_O \hat{=} T_{DP}$</p> <p>Vector calculation: $T_O = 4 \cdot 1000 \mu\text{s} = 4000 \mu\text{s}$ When $T_O = 0$: $T_O \hat{=} T_{DP}$</p> <p>T_O corresponds to the largest speed controller cycle (p0115[1]) of a drive object (vector) in the drive unit.</p>
		$T_{O_MIN} = 1$	<p>Servo: Minimum time distance between T_O and T_{DX} $T_{O_MIN} = 1 \cdot T_{BASE_IO} = 125 \mu\text{s}$</p> <p>Vector: Minimum time distance between T_O and T_{DX} $T_{O_MIN} = 1 \cdot T_{n_reg} = 1000 \mu\text{s}$</p> <p>$T_{n_reg}$ corresponds to the largest speed controller cycle (p0115[1]) of a drive object (vector) in the drive unit.</p>
T _{DX}	E10 hex $\hat{=} 3600 \text{ dec}$	$T_{DX} < T_{DP}$	<p>Data exchange time This is the time required within one cycle for transferring process data to all available slaves.</p> <p>$T_{DX} = \text{integer multiple of } T_{Bit}$ $T_{Bit} = 1/12 \mu\text{s at } 12 \text{ MBaud}$ Calculation: $T_{DX} = 3600 \cdot T_{BIT} = 300 \mu\text{s}$</p>
T _{PLL_W}	0	-	<p>PLL window (half the width of the GC synchronization window)</p> <p>The following applies to the setting:</p> <ul style="list-style-type: none"> • Small window --> minimization of synchronization fluctuations on the drive • Large window --> higher tolerance of GC fluctuations <p>Calculation (assumption: $T_{PLL_W} = A \text{ hex } \hat{=} 10 \text{ dez}$) $T_{PLL_W} = 10 \cdot T_{BIT} = 0.833 \mu\text{s}$ $T_{Bit} = 1/12 \mu\text{s at } 12 \text{ Mbps}$</p>
T _{PLL_D}	0	-	<p>PLL dead time The PLL dead time can be used to compensate for different data transfer times to the slaves (e.g. due to repeaters). The slaves with faster transfer times are delayed by a corresponding PLL dead time.</p> <p>Calculation: $T_{PLL_D} = 0 \cdot T_{BIT} = 0 \mu\text{s}$ $T_{Bit} = 1/12 \mu\text{s at } 12 \text{ MBaud}$</p>
GC			Global Control Telegram (Broadcast Telegram)
T _{TH}			<p>Token hold time This time is calculated by the engineering system.</p>
Dx			<p>Data_Exchange This service is used to implement user data exchange between master and slave 1 - n.</p>

Name	Value ¹⁾	Limit value	Description
MSG			Acyclic service After cyclic transmission, the master checks whether the token hold time has already expired. If not, another acyclic DPV1 service is transmitted.
RES			Reserve: "Active pause" until the isochronous cycle has expired
R			Processing time for speed or position controller
T _M			Master time This is the time from the start of the position controller cycle to the start of master closed-loop control.
GAP			Attempt to open connection with new node. This attempt takes place every xth cycle.
T _J			T _J returns the duration of the cycle jitter. The cycle jitter is the delay of the GC telegram.
1) The values correspond to the device master file si0280e5.gs_and a sample project			

Setting criteria for times

- Cycle (T_{DP})
 - T_{DP} must be set to the same value for all bus nodes.
 - T_{DP} > T_{DX} and T_{DP} > T_O

T_{DP} is thus large enough to enable communication with all bus nodes.

NOTICE

After T_{DP} has been changed on the PROFIBUS master, the drive system must be switched on (POWER ON) or the parameter p0972=1 (Reset drive unit) must be set.

- T_I and T_O
 - Setting the times in T_I and T_O to be as short as possible reduces the dead time in the position control loop.
 - T_O > T_{DX} + T_{Omin}
- A tool is available for setting and optimization purposes (e.g. HWConfig in SIMATIC S7). The following must be noted:
 - Configuring reserves allows the following:
 - Class 2 masters can be connected
 - Non-cyclic communication

Minimum times for reserves

Table 10- 45 Minimum times for reserves

Data	Time required [µs]
Basic load	300
Per slave	20
Per byte of user data	1,5
One additional class 2 master	500

User data integrity

User data integrity is verified in both transfer directions (master \longleftrightarrow slave) by a sign of life (4-bit counter).

The sign-of-life counters are incremented from 1 to 15 and then start again at 1.

- Master sign of life

- STW2.12 ... STW2.15 are used for the master sign of life.
- The master sign of life counter is incremented in each master application cycle (T_{MAPC}).
- The number of sign-of-life errors tolerated can be set via p0925.
- p0925 = 65535 deactivates sign of life monitoring on the slave.
- Monitoring

The master sign of life is monitored on the slave and any sign-of-life errors are evaluated accordingly.

The maximum number of tolerated master sign-of-life errors with no history can be set via p0925.

If the number of tolerated sign-of-life errors set in p0925 is exceeded, the response is as follows:

- A corresponding message is output.
- The value zero is output as the slave sign of life.
- Synchronization with the master sign of life is started.

- Slave sign of life

- ZSW2.12 ... ZSW2.15 are used for the slave sign of life.
- The slave sign of life counter is incremented in each DP cycle (T_{DP}).

Example: SINAMICS vector drives with SIMOTION D4x5 and/or CX modules

To determine what the cycles in the SINAMICS drive unit will be after a project has been downloaded, dependable cycle values should be set initially in HW Config.

The following settings and sequences are recommended:

1. T_{DP} = 3.0 ms (T_{DP} = DP cycle time)
2. T_I = T_O = 1.5 ms (T_I = time of actual value acquisition, T_O = time of setpoint transfer)
3. T_{MAPC} = 6.0 ms (T_{MAPC} = master application cycle time)

After successful download, all current and speed controller cycles can be determined. These cycles can be optimized in HW Config if necessary.

The cycles are set in HW Config under the DP slave properties of the SINAMICS drive unit (slave, master e.g. SIMOTION D4x5) on the "Clock synchronization" tab.

10.2.4 Slave-to-slave communication

10.2.4.1 General information

Description

With PROFIBUS DP, the master addresses all of the slaves one after the other in a DP cycle. In this case, the master transfers its output data (setpoints) to the particular slave and receives as response the input data (actual values). Fast, distributed data transfer between drives (slaves) is possible using the "slave-to-slave communication" function without involving the master.

The following terms are used for the functions described here:

- Slave-to-slave communication
- Data Exchange Broadcast (DXB.req)
- Slave-to-slave communication (is used in the following)

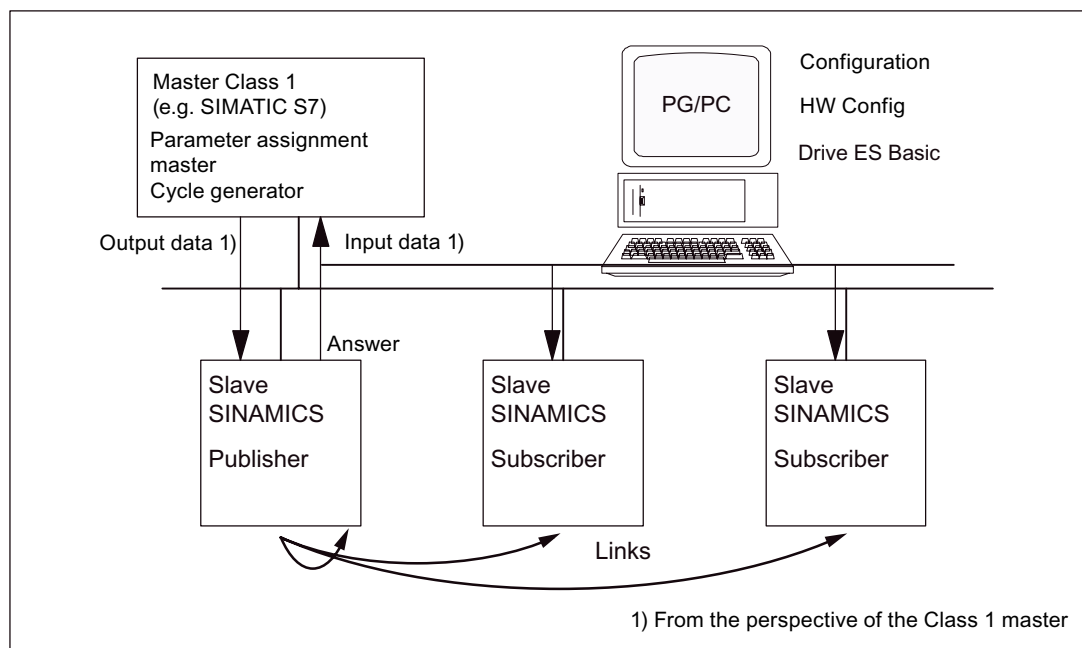


Figure 10-28 Slave-to-slave communication with the publisher-subscriber model

Publisher

With the "slave-to-slave communication" function, at least one slave must act as the publisher.

The publisher is addressed by the master when the output data are transferred with a different layer 2 function code (DXB.req). The publisher then sends its input data to the master with a broadcast telegram to all bus nodes.

Subscriber

The subscribers evaluate the broadcast telegrams, sent from the publishers, and use the data which has been received as setpoints. The setpoints are used, in addition to the setpoints received from the master, corresponding to the configured telegram structure (p0922).

Links and taps

The links configured in the subscriber (connection to publisher) contain the following information:

- From which publishers may input data be received?
- Which input data are there?
- At which location should the input data be used as setpoints?

Several taps are possible within a link. Several input data or input data areas, which are not associated with one another, can be used as setpoint via a tap.

Links are possible to the device itself. This means, e.g. for a Double Motor Module, data can be transferred from drive A to B. This internal link corresponds, as far as the timing is concerned, to a link via PROFIBUS.

Prerequisites and supplementary conditions

The following supplementary conditions should be observed for the "slave-to-slave communication" function:

- Drive ES Basic V5.3 SP3
- Firmware version \geq V2.4
- Number of process data, max. per drive
- Number of links to publishers
- Number of taps per link

Applications

For example, the following applications can be implemented using the "slave-to-slave communication" function:

- Axis couplings (this is practical for isochronous mode)
- Specifying binector connections from another slave

10.2.4.2 Setpoint assignment in the subscriber

Setpoints

The following statements can be made about the setpoint:

- Number of setpoint

When bus communication is being established, the master signals the slave the number of setpoints (process data) to be transferred using the configuring telegram (ChkCfg).

- Contents of the setpoints

The structure and contents of the data for the "SINAMICS slave" using the local process data configuring (p0922).

- Operation as "standard" slave

The drive (slave) only receives its setpoints and output data from the master.

- Operation as subscriber

When a slave is operated as a subscriber, some of the setpoints are defined by one or more publishers rather than by the master.

The slave is informed of the assignment via the parameterization and configuration telegram when bus communication is being established.

10.2.4.3 Activating/parameterizing slave-to-slave communication

The "slave-to-slave communication" function must be activated both in the publishers as well as in the subscribers, whereby only the subscriber is to be configured. The Publisher is automatically activated by the bus system when booting.

Activation in the Publisher

The master is informed about which slaves are to be addressed as publishers with a different layer 2 function code (DXB request) via the configuration of the subscriber links.

The publisher then sends its input data not only to the master but also as a broadcast telegram to all bus nodes.

These settings are made automatically by the S7 software.

Activation in the Subscriber

The slave, which is to be used as Subscriber, requires a filter table. The slave must know which setpoints are received from the master and which are received from a publisher.

STEP7 automatically generates the filter table.

The filter table contains the following information:

- Address of the publisher
- Length of the process data
- Position (offset) of the input data

- Amount of data
- Target of the data

Parameterizing telegram (SetPrm)

The filter table is transferred, as dedicated block from the master to the slave with the parameterizing telegram when a bus communication is established.

Configuring telegram (ChkCfg)

Using the configuration telegram, a slave knows how may setpoints are to be received from the master and how many actual values are to be sent to the master.

For slave-to-slave communication, a special space ID is required for each tap. The PROFIBUS configuration tool (e.g. HW Config) generates this ID and then transferred with the ChkCfg in the drives that operate as Subscribers.

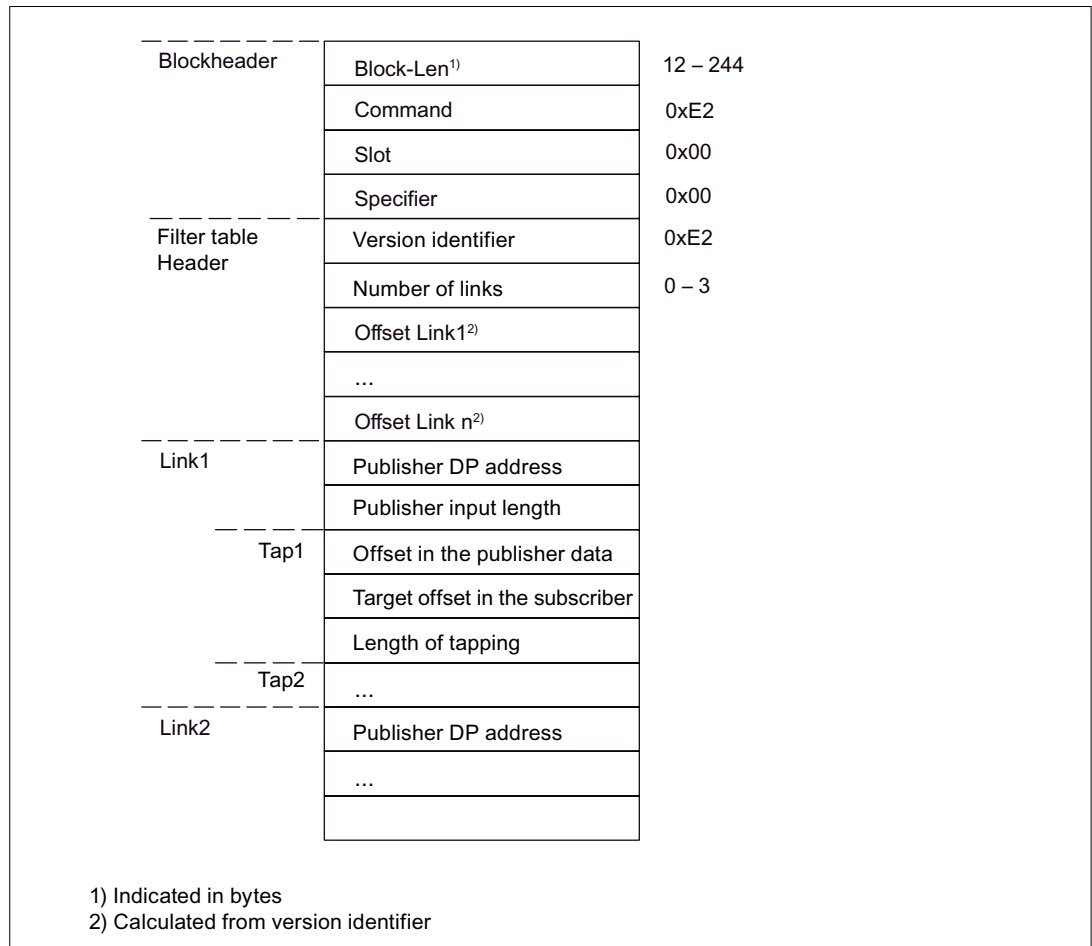


Figure 10-29 Filter block in the parameterizing telegram (SetPrm)

10.2.4.4 Commissioning of the PROFIBUS slave-to-slave communication

The commissioning of slave-to-slave communication between two SINAMICS drives using the additional Drive ES Basic package is described below.

Settings in HW Config

The project below is used to describe the settings in HW Config.

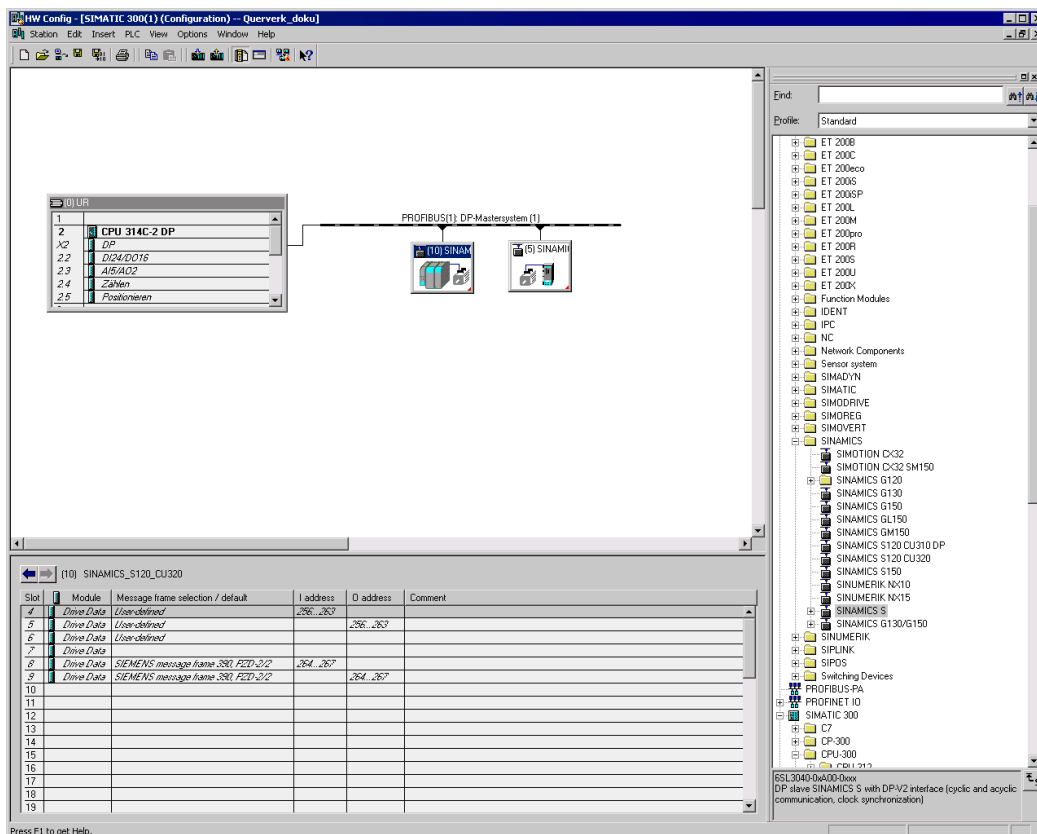


Figure 10-30 Example project of a PROFIBUS network in HW Config

Procedure

1. Select a slave (e.g. CU320) and use its properties to configure the telegram for the connected drive object.
2. In the "Configuration" tab of the drive unit, select e.g. the standard telegram 2 for the associated servo or vector drive in the telegram selection.

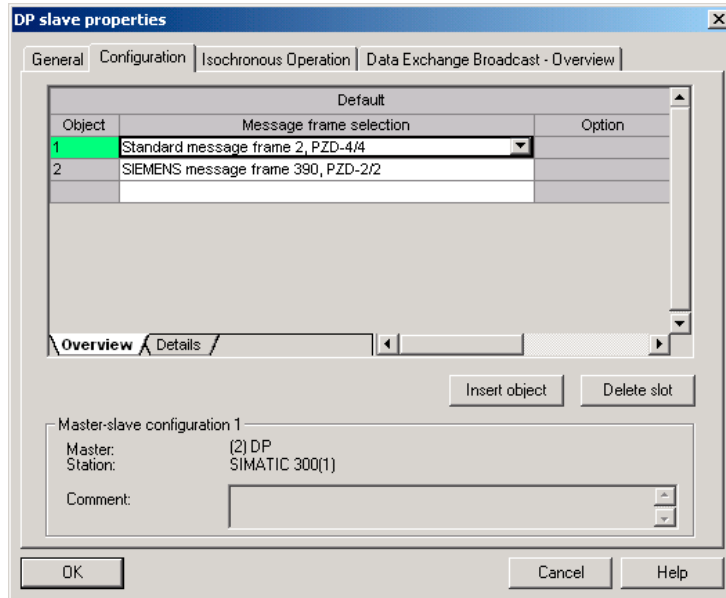


Figure 10-31 Telegram selection for drive object

3. Then go to the detail view.
Slots 4/5 contain the actual value/setpoint for the drive object.
The slots 7/8 are the telegram portions for the actual value/setpoint of the CU.

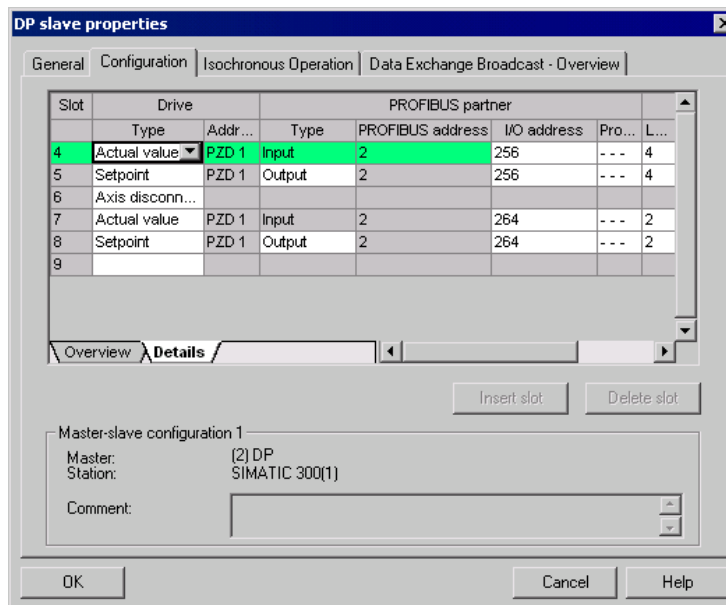


Figure 10-32 Detail view of slave configuration

- The "Insert slot" button can be used to create a new setpoint slot for the CU320 drive object.

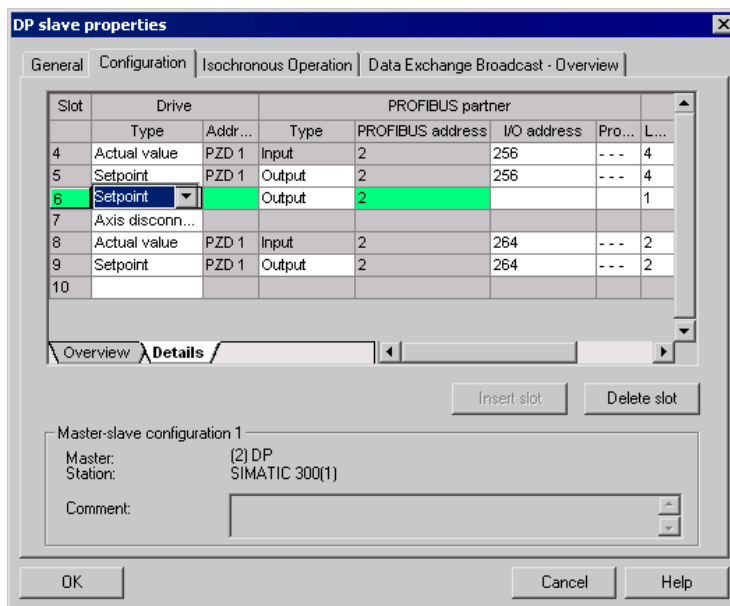


Figure 10-33 Insert new slot

- Assign the setpoint slot the type "slave-to-slave communication".
- Select the Publisher DP address in the "PROFIBUS address" column. This displays all DP slaves from which actual value data can be requested. It also provides the possibility of sharing data via slave-to-slave communication within the same drive group.

- The "I/O address" column displays the start address for every DO. Select the start address of the data of the DO to be read. This is 268 in the example. If the complete data of the Publisher are not read, set this via the "Length" column. You may also offset the start address for the request so that data can be read out in the middle of the DO telegram.

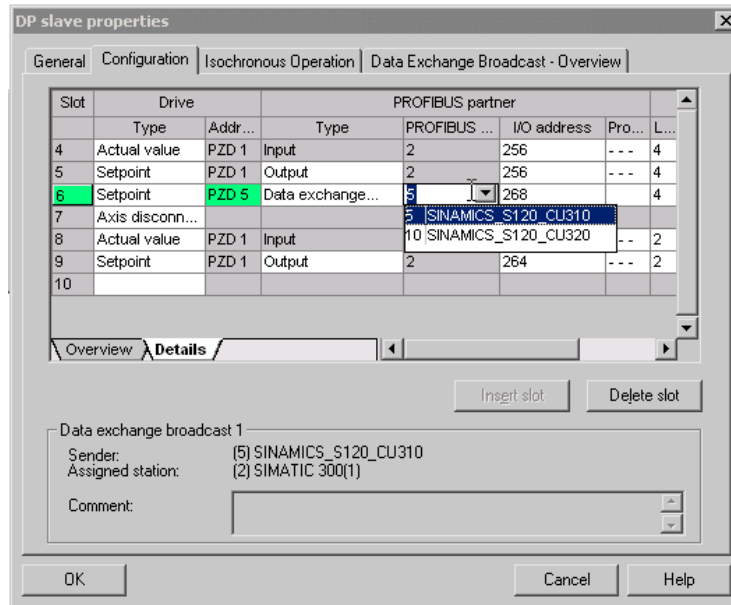


Figure 10-34 Configuring the slave-to-slave communication nodes

- The "Data Exchange Broadcast - Overview" tab shows you the configured slave-to-slave communication relationships which correspond to the current status of the configuration in HW Config.

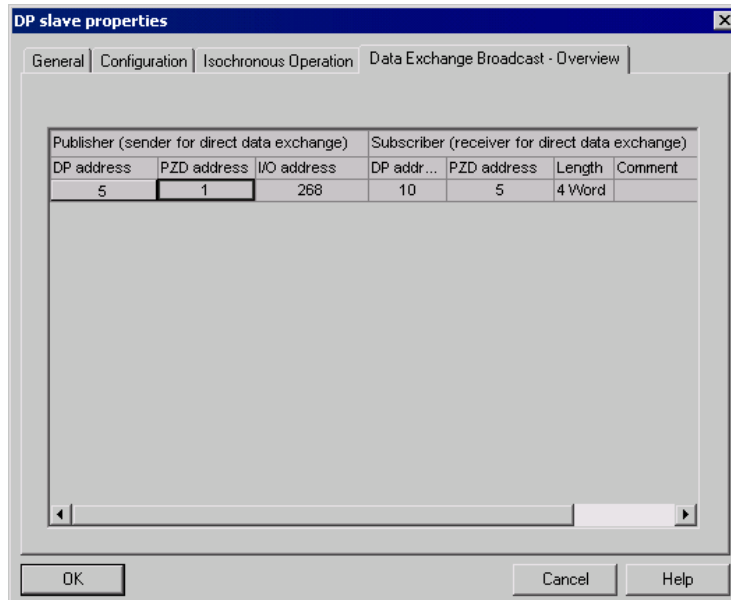


Figure 10-35 Data Exchange Broadcast - Overview

- When the slave-to-slave communication links have been created, the standard telegram for the drive object is replaced with the "User-defined" telegram in the configuration overview.

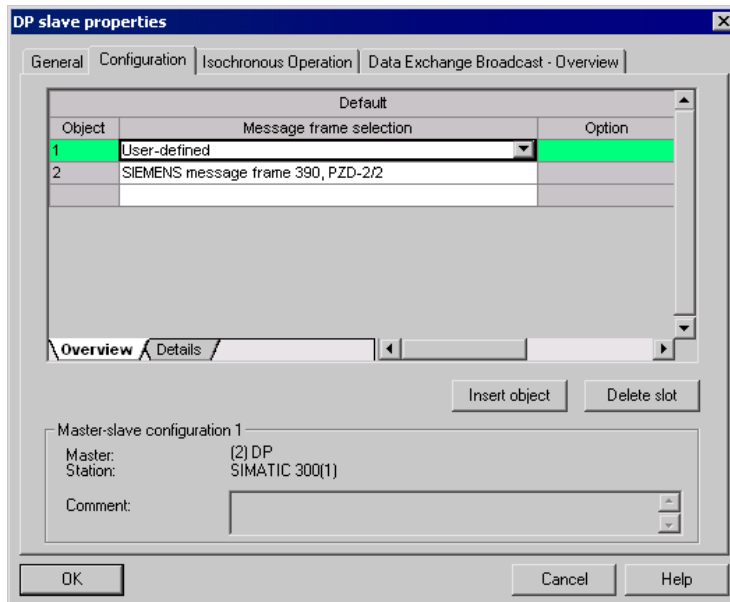


Figure 10-36 Telegram assignment for slave-to-slave communication

- The details after the creation of the slave-to-slave communication link for the drive object of the CU320 are as follows:

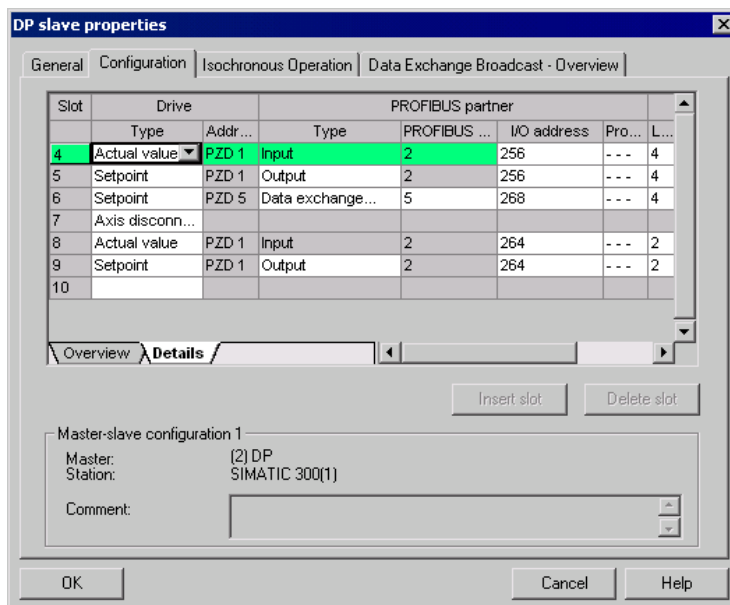


Figure 10-37 Details after the creation of the slave-to-slave communication link

- You are required to adjust the standard telegrams accordingly for every DO (e.g. drive object) of the selected CU that shall actively participate in slave-to-slave communication.

Commissioning in STARTER

Slave-to-slave communication is configured in HWConfig and is simply an extension of an existing telegram. Telegrams can be extended in STARTER (e.g. p0922 = 999).

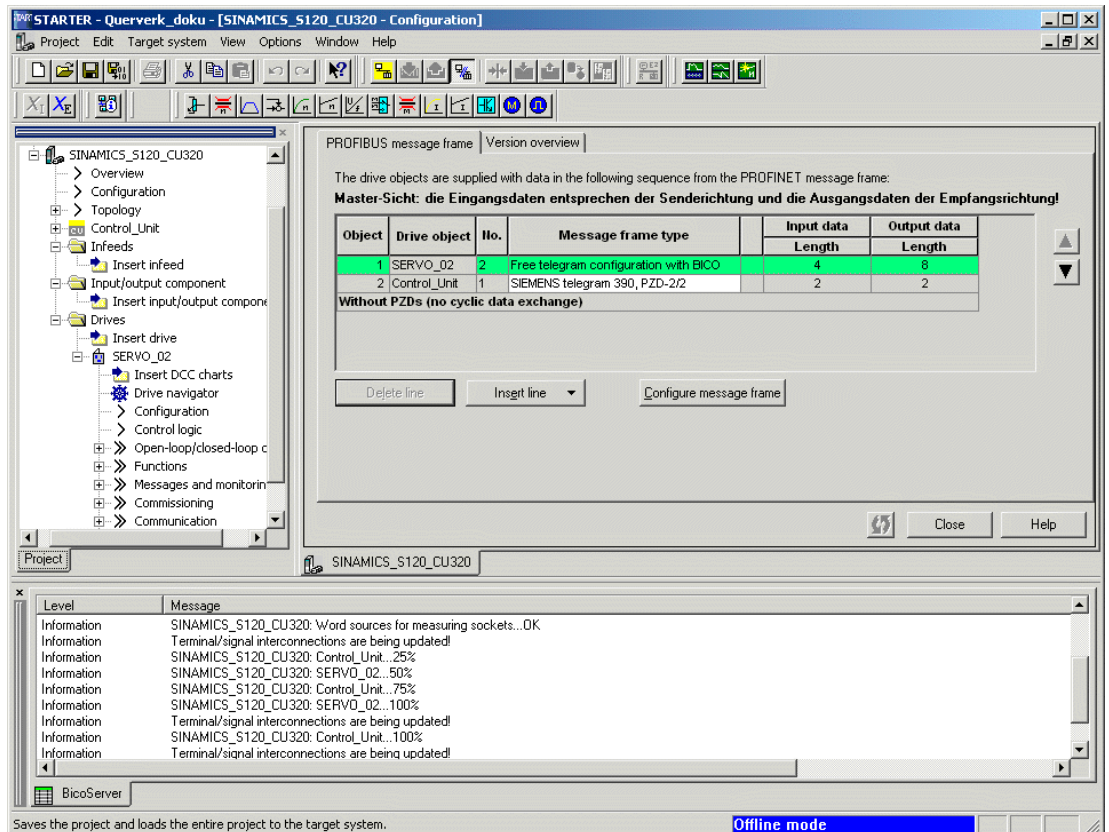


Figure 10-38 Configuring the slave-to-slave communication links in STARTER

In order to terminate the configuration of slave-to-slave communication for the DOs, the telegram data of the DOs in STARTER must be matched to those in the HW Config and must be extended. The configuration is made centrally via the configuration of the respective CU.

Procedure

1. In the overview for the PROFIBUS telegram, you can access the telegrams of the drive objects, here SERVO_02. Select the telegram type "Free telegram configuration" for the configuration.
2. Enter the telegram lengths for the input data and output data according to the settings in HW Config. For slave-to-slave communication links, the input data comprise the standard telegram and the slave-to-slave communication data.
3. Then set the telegram in the telegram selection to the standard telegram for drive objects (in the example: standard telegram 2), which results in a split display of the telegram types (standard telegram + telegram extension). The telegram extension represents the telegram portion of slave-to-slave communication.

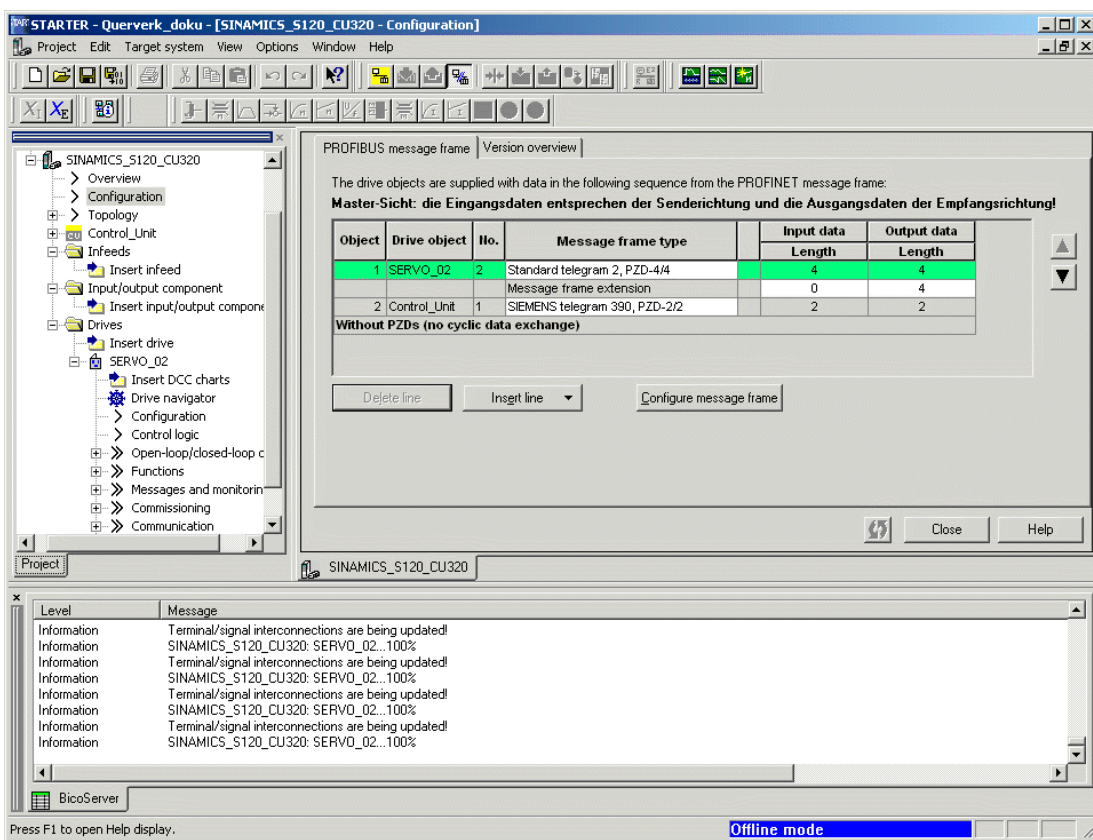


Figure 10-39 Display of the telegram extension

By selecting the item "Communication -> PROFIBUS" for the drive object "SERVO2" in the object tree you get the structure of the PROFIBUS telegram in receive and transmit direction. The telegram extension from PZD5 is the portion for slave-to-slave communication.

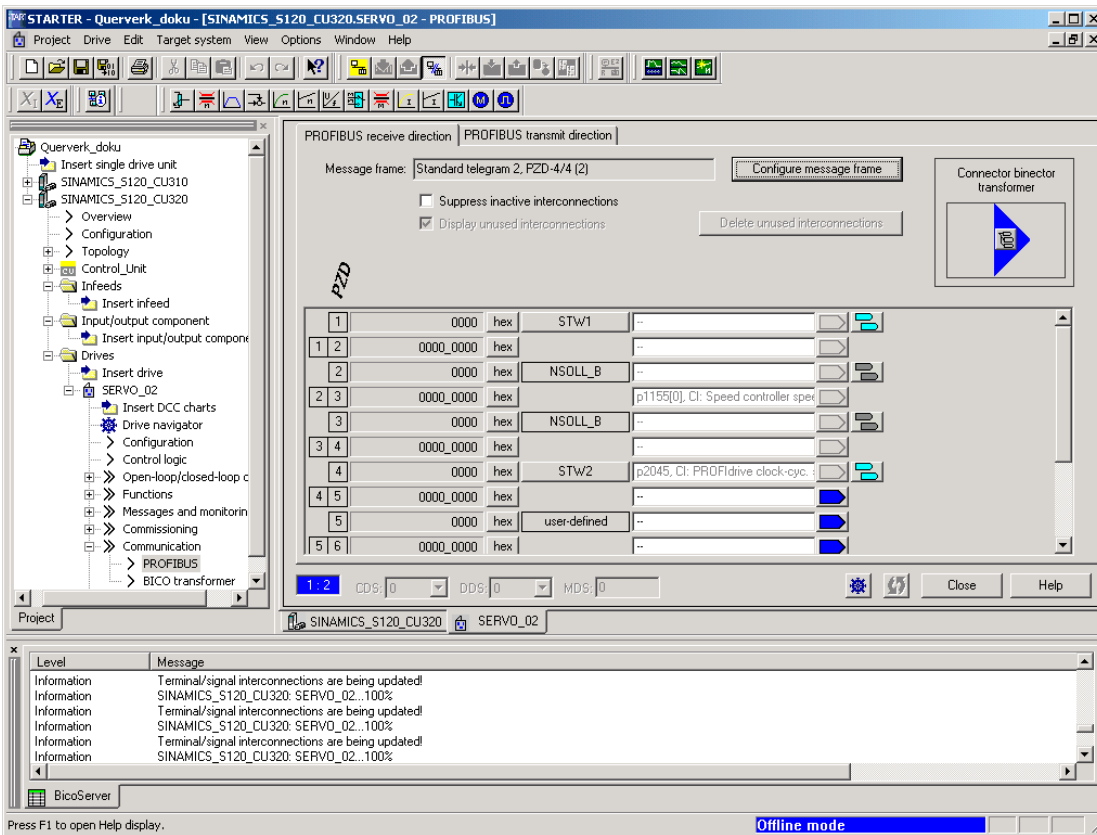


Figure 10-40 Configuring the PROFIBUS slave-to-slave communication in STARTER

To integrate the drive objects into slave-to-slave communication, you need to assign appropriate signals to the corresponding connectors in the PZD. A list for the connector shows all signals that are available for interconnection.

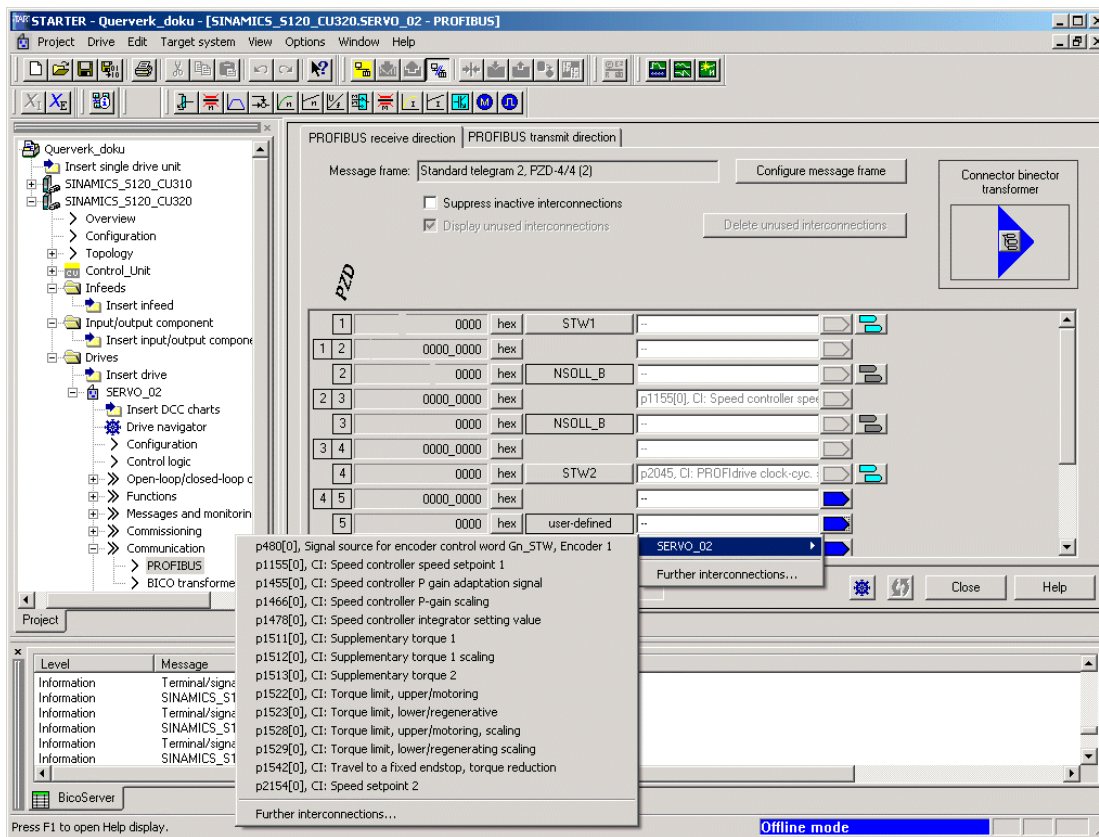


Figure 10-41 Combining the PZDs for slave-to-slave communication with external signals

10.2.4.5 GSD (GeräteStammDaten) file

GSD File

A special GSD file exists for the SINAMICS family to permit integration of the PROFIBUS slave-to-slave communication into SINAMICS.

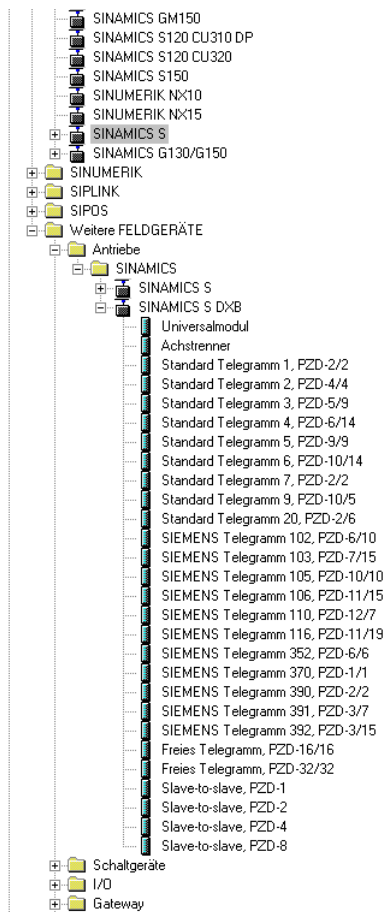


Figure 10-42 Hardware catalog of the GSD file with slave-to-slave communication functionality

The SINAMICS S DXB GSD file contains standard telegrams, free telegrams and slave-to-slave telegrams for configuring slave-to-slave communication. The user must take these telegram parts and an axis delimiter after each DO to compose a telegram for the drive unit.

The processing of a GSD file in HW Config is covered by the SIMATIC documentation.

10.2.4.6 Diagnosing the PROFIBUS slave-to-slave communication in STARTER

Diagnostics

Since the PROFIBUS slave-to-slave communication is implemented on the basis of a broadcast telegram, only the subscriber can detect connection or data faults, e.g. via the Publisher data length (see "Configuration telegram").

The Publisher can only detect and report an interruption of the cyclic connection to the DP master (A1920, F1910). The broadcast telegram to the subscriber will not provide any feedback. A fault of a subscriber must be fed back via slave-to-slave communication. In case of a "master drive" 1:n, however, the limited quantity framework (see "Links and requests") should be observed. It is not possible to have n subscribers report their status via slave-to-slave communication directly to the "master drive" (Publisher)!

For diagnostic purposes, there are the diagnostic parameters r2075 ("PROFIBUS diagnostics, receive telegram offset PZD") and r2076 ("PROFIBUS diagnostics, transmit telegram offset PZD"). The parameter r2074 ("PROFIBUS diagnostics, receive bus address PZD") displays the DP address of the setpoint source of the respective PZD.

r2074 and r2075 enable the source of a slave-to-slave communication relationship to be verified in the Subscriber.

Note

The Subscribers do not monitor the existence of an isochronous Publisher sign of life.

Faults and alarms with PROFIBUS slave-to-slave communication

An alarm A1945 signals that a Publisher of a device (CU) is missing or has failed. Any interruption to the Publisher is also reported by an error F1946 at the affected DO. A failure of the Publisher will therefore only affect the respective DOs.

A1945	PROFIBUS: Connection of device to Publisher x interrupted
Reaction:	NONE
Acknowledgment:	NONE
Cause:	The cyclic data transfer between this PROFIBUS device and a slave-to-slave communication publisher was not established or was interrupted. Examples: Bus connection interrupted Publisher failed New startup of DP master
Remedy:	Check Publisher and bus connections to Publisher, to DP master and between DP master and Publisher.

F1946 (A)	PROFIBUS: Connection of drive object to Publisher x interrupted
Reaction:	OFF1 (NONE; OFF2; OFF3)
Acknowledgment:	IMMEDIATELY

F1946 (A)	PROFIBUS: Connection of drive object to Publisher x interrupted
Cause:	The cyclic data transfer between this drive object and a slave-to-slave communication Publisher was not established or was interrupted. Examples: Bus connection interrupted Publisher failed New startup of DP master
Remedy:	Check Publisher and bus connections to Publisher, to DP master and between DP master and Publisher.

10.3 Communication via PROFINET IO

10.3.1 General information about PROFINET IO

10.3.1.1 General information about PROFINET IO for SINAMICS

General information

PROFINET IO is an open Industrial Ethernet standard for a wide range of production and process automation applications. PROFINET IO is based on Industrial Ethernet and observes TCP/IP and IT standards.

Signal processing in real time and determinism is important in industrial networks. PROFINET IO satisfies these requirements.

The following standards ensure open, multi-vendor systems:

- International standard IEC 61158

PROFINET IO is optimized for high-speed, time-critical data transfers at field level.

PROFINET IO

Within the context of Totally Integrated Automation (TIA), PROFINET IO is the systematic development of the following systems:

- PROFIBUS DP, the established field bus, and
- Industrial Ethernet, the communications bus for the cell level.

Experience gained from both systems was and is being integrated into PROFINET IO. As an Ethernet-based automation standard defined by PROFIBUS International (PROFIBUS user organization), PROFINET IO is a manufacturer-independent communication and engineering model.

PROFINET IO defines every aspect of the data exchange between IO controllers (devices with so-called "master functionality" and the IO devices (those with so-called "slave functionality") as well as parameterization and diagnostic processes. An IO system is configured by virtually the same method used for PROFIBUS.

A PROFINET IO system is assembled from the following devices:

- The IO controller controls automation tasks.
- An IO device is controlled and monitored by an IO controller. An IO device consists of several modules and submodules.
- IO supervisor is an engineering tool typically based on a PC that is used to parameterize and diagnose individual IO devices (drive units).

IO device: Drive units with PROFINET interface

- SINAMICS S120 with CU310 with integrated PROFINET interface
- SINAMICS S120 with CU320 and plugged CBE20

Cycle communication using PROFINET IO with IRT or using RT is possible on all drive units equipped with a PROFINET interface. This means that problem-free communication using other standard protocols is guaranteed within the same network.

Note

PROFINET for drive technology is standardized and described in the following document:

PROFIBUS Profile PROFIdrive – Profile Drive Technology

Version V4.1, May 2006,

PROFIBUS User Organization e. V.

Haid-und-Neu-Straße 7,

D-76131 Karlsruhe

<http://www.profibus.com>,

Order no. 3.172, spec. Chapter 6

- IEC 61800-7
-

CAUTION

The cyclic PZD channel for PROFIBUS DP is initially deactivated when the CBE20 is plugged in. It can however be activated again with parameter p8839 (see section "Parallel operation of communication interfaces with CU320").
--

10.3.1.2 Real-time (RT) and isochronous real-time (IRT) communication

Real-time communication

When communication takes place via TCP/IP, the resultant transmission times may be too long and non-deterministic to meet production automation requirements. When communicating time-critical IO user data, PROFINET IO therefore uses its own real-time channel, rather than TCP/IP.

Determinism

Determinism means that a system will react in a predictable ("deterministic") manner. With PROFINET IO, it is possible to precisely determine (predict) transmission times.

PROFINET IO with RT (Real Time)

Real time means that a system processes external events over a defined period.

Process data and alarms are always transmitted in real time (RT) within the PROFINET IO system. RT communication provides the basis for data exchange with PROFINET IO. Real-time data are treated as a higher priority than TCP(UDP)/IP data. Transmission of time-critical data takes place at guaranteed time intervals.

PROFINET IO with IRT (Isochronous Real Time)

Isochronous Real Time Ethernet: Real time property of PROFINET IO where IRT telegrams are transmitted deterministically via planned communication paths in a defined sequence to achieve the best possible synchronism and performance between the IO controller and IO device (drive unit). This is also known as time-scheduled communication whereby knowledge about the network structure is utilized. IRT requires special network components that support planned data transfer.

Cycle times of minimum 500 µs and a jitter accuracy of less than 1 µs can be achieved when this transmission method is implemented.

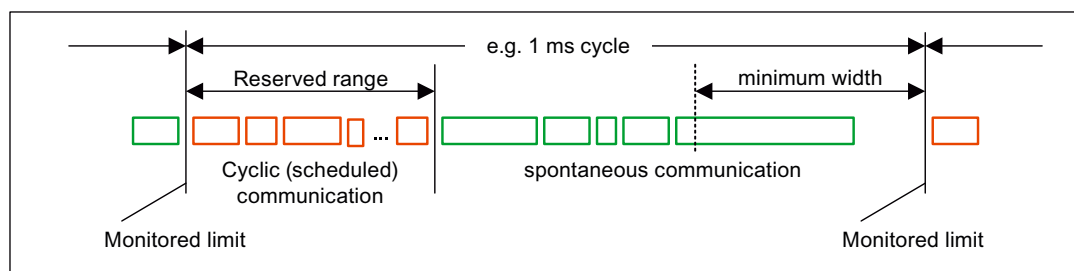


Figure 10-43 Bandwidth distribution/reservation, PROFINET IO

Note

Operation of S7-300 stations with SINAMICS drives: communication via PROFINET IO currently only possible with RT and IRT High Flexibility. For SIMOTION with SINAMICS drives: communication via PROFINET IO is also possible with IRT High Flexibility or IRT High Performance.

10.3.1.3 Addresses

MAC address

Each PROFINET interface is assigned a worldwide unique device identifier in the factory. This 6-byte long device identifier is the MAC address. The MAC address is divided up as follows:

- 3 bytes manufacturer's ID and
- 3 bytes device identifier (consecutive number).

The MAC address is printed on a label (CBE20) or specified on the rating plate (CU310PN).

e.g.: 08-00-06-6B-80-C0

IP address

To allow a PROFINET device to be addressed as a node on Industrial Ethernet, this device also requires an IP address that is unique within the network. The IP address is made up of 4 decimal numbers with a range of values from 0 through 255. The decimal numbers are separated by a period. The IP address is made up of

- The address of the (sub-) network and
- The address of the node (generally called the host or network node)

IP address assignment

The TCP/IP protocol is a prerequisite for establishing a connection and parameterization. This is the reason that an IP address is required.

The IP addresses of IO devices can be assigned by the IO controller and always have the same sub-network mask as the IO controller. In this case, the IP address is not stored permanently. The IP address entry is lost after POWER ON/OFF. If the IP address is to be stored in a non-volatile memory, the address must be assigned using the Primary Setup Tool (PST).

This can also be performed with HW Config of STEP 7, where the function is called "Edit Ethernet node".

Note

If the network is part of an existing Ethernet company network, obtain the information (IP address) from your network administrator.

Device name (NameOfStation)

When it is shipped, an IO device does not have a device name. An IO device can only be addressed by an IO controller, for example, for the transfer of project engineering data (including the IP address) during startup or for user data exchange in cyclic operation, after it has been assigned a device name with the IO supervisor.

NOTICE
The device name must be stored retentively using either the Primary Setup Tool (PST) or with HW Config of STEP 7.

Replacement of the Control Unit CU310/CU320 (IO device)

If the IP address and device name are stored in non-volatile memory, these data are also forwarded with the memory card of the Control Unit.

If a complete Control Unit needs to be replaced due to a device or module defect, the new Control Unit automatically parameterizes and configures using the data on the memory card. Following this, cyclic exchange of user data are restarted. The memory card allows module exchange without an IO supervisor when a fault occurs in a PROFINET device.

10.3.1.4 Data transfer

Properties

The PROFINET interface on a drive unit supports the simultaneous operation of:

- IRT – isochronous real-time Ethernet
- RT – real-time Ethernet
- Standard Ethernet services (TCP/IP, LLDP, UDP and DCP)

PROFIdrive telegram for cyclic data transmission, acyclic services

Telegrams to send and receive process data are available for each drive object of a drive unit with cyclic process data exchange.

In addition to cyclic data transfer, acyclic services can also be used for parameterizing and configuring the drive unit. These acyclic services can be utilized by the IO supervisor or IO controller.

Sequence of drive objects in cyclic data transmission

The sequence of drive objects is displayed via a list in p0978[0...15] where it can also be changed.

Note

The sequence of drive objects in HW Config must be the same as that in the drive (p0978).

10.3.2 Hardware setup

10.3.2.1 Configuring SINAMICS drives with PROFINET

PROFINET interface for CU310/CU320

A PROFINET interface with 2 ports is integrated in the CU310 Control Unit.

The CBE20 option board is inserted in the option slot of the CU320. The CBE20 is equipped with a PROFINET interface with 4 ports that can be used to connect the PROFINET subnet.

Note

The ports must not be interconnected in such a way that a ring topology is created.

References

The integration of a SINAMICS S120 with CU310/CU320 in a PROFINET IO system is described in detail in the System Manual "SIMOTION SCOUT Communication".

For an example of how to link a SINAMICS S120 to a SIMATIC S7 via PROFINET IO, please refer to the FAQ "PROFINET IO communication between an S7-CPU and SINAMICS S120" on the Internet.

For a description of the CBE20 and how you can use it in the drive, please refer to document: /GH1/ SINAMICS S120 Equipment Manual Control Units

The PROFINET interface on the CU310 unit is described in document: /GH6/ SINAMICS S120 Equipment Manual AC Drives.

Clock generation via PROFINET IO (isochronous communication)

The SINAMICS S120 with CU310/CU320 can only assume the role of a synchronization slave within a PROFINET IO network.

The following applies to a CU310 / CU320 with CBE20 module:

- Transmission type IRT, IO device is synchronization slave and isochronous, send clock cycle is applied to bus: Control Unit synchronizes with the bus and the send clock cycle becomes the cycle for the Control Unit.
- RT or IRT (option drive unit "not isochronous") has been configured. The SINAMICS does not use a local clock (clock configured in SINAMICS).

The following applies to a CU320 for which a CBE20 is configured, but does not exist:

- SINAMICS uses local clock (clock configured in SINAMICS), no data exchange via PROFINET, alarm A1487 "Topology fault" is issued. Access via PROFINET is not available.

Telegrams

PROFIdrive telegrams are available for implementing cyclic communication via PROFINET IO (see section "Communication according to PROFIdrive", cyclic communication).

DCP flashing

This function is used to check the correct assignment to a module and its interfaces. This function is supported in FW 2.4 and higher by SINAMICS S120 with CU310 / SINAMICS S120 with CU320 and plugged CBE20.

1. In HW Config or STEP7 Manager, select the menu item "Target system" > "Ethernet" > "Edit Ethernet node".
2. The "Edit Ethernet node" dialog box opens.
3. Click on the "Browse" button.
4. The "Browse Network" dialog box opens and displays the connected nodes.
5. After the SINAMICS S120 with CU310 or SINAMICS S120 with CU320 with plugged CBE20 has been selected as a node, activate the "DCP flashing" function by means of the "Flash" button.

The DCP flashing will be effective on the RDY LED (READY LED 2Hz, green/orange or red/orange) on the CU310/CU320.

The LED will continue to flash as long as the dialog is open. When the dialog is closed, the LED will go out automatically. The function is available as of STEP7 V5.3 SP1 via Ethernet.

STEP 7 routing with CBE20

The CBE20 does not support STEP 7 routing between PROFIBUS and PROFINET IO.

Connecting the IO supervisor

You can go online with the STARTER in a number of ways, which are illustrated below:

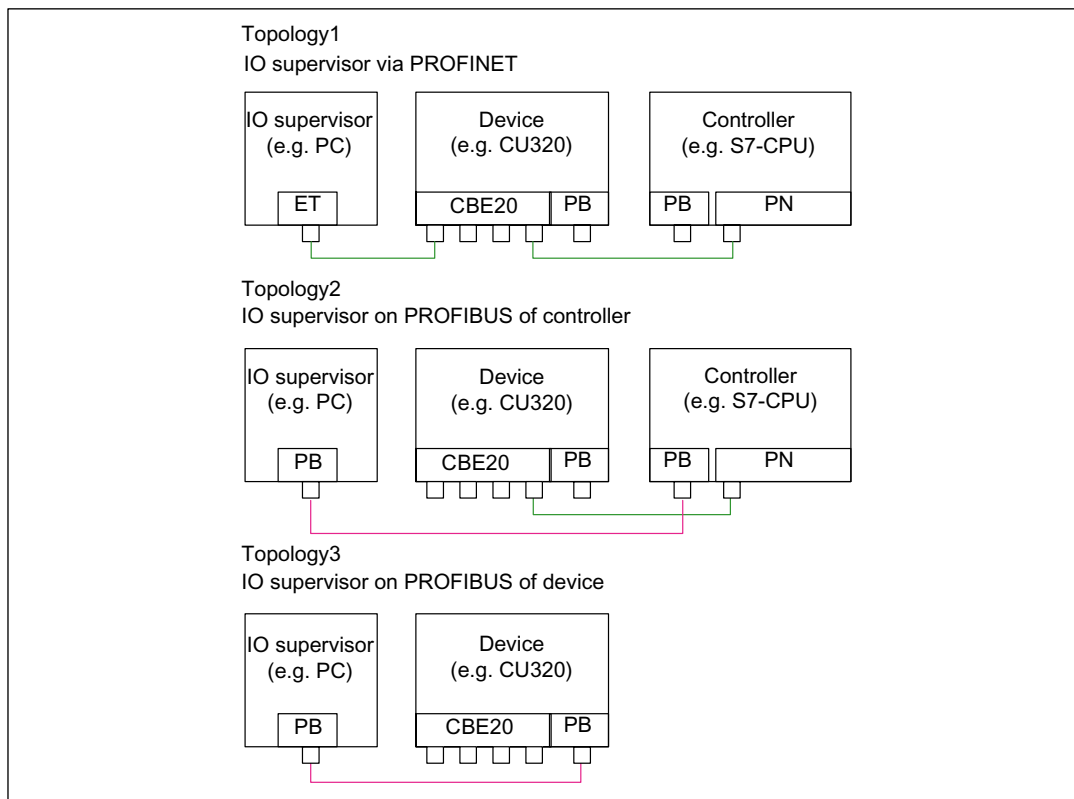


Figure 10-44 Connecting the IO supervisor

10.3.3 RT classes for PROFINET IO

Description

PROFINET IO is a scalable realtime communication system based on Ethernet technology. The scalable approach is expressed with three realtime classes.

RT

RT communication is based on standard Ethernet. The data are transferred via prioritized Ethernet telegrams. Because standard Ethernet does not support any synchronization mechanisms, isochronous operation is not possible with PROFINET IO with RT! The real-time capability is comparable with the present PROFIBUS DP solutions with 12 MBaud, i.e. a sufficiently large bandwidth portion is available for the parallel transmission of IT services on the same line.

The real update cycle in which cyclic data are exchanged depends on the bus load, the devices used and the quantity framework of the I/O data. The update cycle is a multiple of the send cycle.

IRT*

Previous RT class IRTtop.

IRT

Two options are available with this RT class:

- IRT "high flexibility"
- IRT "high performance".

Software requirements for configuring IRT:

- STEP 7 5.4 SP4 (HW Config)
- SINAMICS firmware version 2.5 SP1 Hotfix 10 or 2.6.

The software requirements for IRT are also applicable for the configuration of RT class IRT*.

Note

For further information about configuring the PROFINET interface for the I/O controller and I/O device, please refer to document: SIMOTION SCOUT Communication System Manual.

IRT "high flexibility"

The telegrams are sent cyclically in a deterministic cycle (Isochronous Real Time). The telegrams are exchanged in a bandwidth reserved by the hardware. One IRT time interval and one standard Ethernet time interval are created for each cycle.

Note

IRT "high flexibility" cannot be used for isochronous applications.

IRT "high performance"

In addition to the bandwidth reservation, the telegram traffic can be further optimized by configuring the topology. This enhances the performance during data exchange and the deterministic behavior. The IRT time interval can thus be further optimized or minimized with respect to IRT "high flexibility".

In addition to the isochronous data transfer provided by IRT, even the application itself (position control cycle, IPO cycle) can be isochronous in the devices. This is an essential requirement for closed-loop axis control and synchronization via the bus. Isochronous data transfer with cycle times well below one millisecond and with a deviation in the cycle start (jitter) of less than a microsecond provide sufficient performance reserves for demanding motion control applications.

The RT classes IRT "high flexibility" and IRT "high performance" can be selected as options in the synchronization settings configuration area of HW Config. In the description below, both these classes are simply referred to as "IRT".

In contrast to standard Ethernet and PROFINET IO with RT, the telegrams for PROFINET IO with IRT are transmitted according to a schedule.

IRT* (formerly IRTtop)

Equivalent to the IRT "high performance" function, but a different synchronization method is used. This is incompatible with the IRT synchronization method (IRT "high flexibility", IRT "high performance").

Comparison between RT and IRT

Table 10- 46 Comparison between RT and IRT

RT class	RT	IRT "high flexibility"	IRT "high performance"
Transfer mode	Switching based on the MAC address; prioritization of the RT telegrams possible using Ethernet-Prio (VLAN tag)	Switching using the MAC address; bandwidth reservation by reserving an IRT "high flexibility" interval in which only IRT "high flexibility" frames are transferred but, for example, no TCP/IP frames	Path-based switching according to a topology-based plan; no transmission of TCP/IP frames and IRT "high flexibility" frames in the IRT "high performance" interval.
Isochronous application in the IO controller	No	No	Yes
Determinism	Variance of the transmission duration by started TCP/IP telegrams	Guaranteed transmission of the IRT "high flexibility" telegrams in the current cycle by the reserved bandwidth.	Exactly planned transfer; times for transmission and receiving are guaranteed for any topologies.
Reload the network configuration after a change	Not relevant	Only when the size of the IRT "high flexibility" interval needs to be modified (reservation of position is possible)	Whenever the topology or the communication relationships change
Maximum switching depth (number of switches in one line)	10 at 1 ms	61	32
For possible send cycles, see subitem "Send cycles and update cycles for RT classes" in table "Adjustable send cycles and update cycles"			

Set the RT class

The RT class is set by means of the properties of the controller interface of the IO controller. If RT class IRT "high performance" is set, it is not possible to operate any IRT "high flexibility" devices on the IO controller and vice versa. IO devices with RT can always be operated, regardless of the IRT class setting.

You can set the RT class in the HW Config for the associated PROFINET device.

1. In HW Config, double-click on item PROFINET interface in the module.
The "Properties" dialog box is opened.
2. Select the RT class under RT class on the "Synchronization" tab.
3. Once you have selected "IRT", you can also choose between option "high flexibility" and "high performance".
4. Confirm with "OK".

Synchronization domain

The sum of all devices to be synchronized form a synchronization domain. The whole domain must be set to a single, specific RT class (real-time class) for synchronization, i.e. mixed operation of RT classes IRT and IRT* is not permissible. Different synchronization domains can communicate with one another via RT.

With IRT* and IRT, all IO devices and IO controllers must be synchronized with a common synchronization master.

IRT* drive units can be replaced with IRT drive units in HW Config. The conversion from IRT* to IRT and vice versa is not performed automatically, but must be made manually.

The HW Config consistency check ascertains whether modules communicating with one another within a single synchronization domain are all configured to use the same RT classes: All modules use either IRT* or IRT.

RT allows an IO controller to communicate with a drive unit outside a synchronization domain or "through" another synchronization domain. As of version 5.4 SP1, STEP 7 supports multiple synchronization domains on a single Ethernet subnet.

Example:

- Synchronization domain IRT*: SIMOTION 1 with SINAMICS
- Synchronization domain IRT : SIMOTION 2 with SINAMICS
- SINAMICS, which is assigned to the IO system of SIMOTION 1, is arranged in the topology in such a way that its RT communication must be conducted through the IRT synchronization domain.

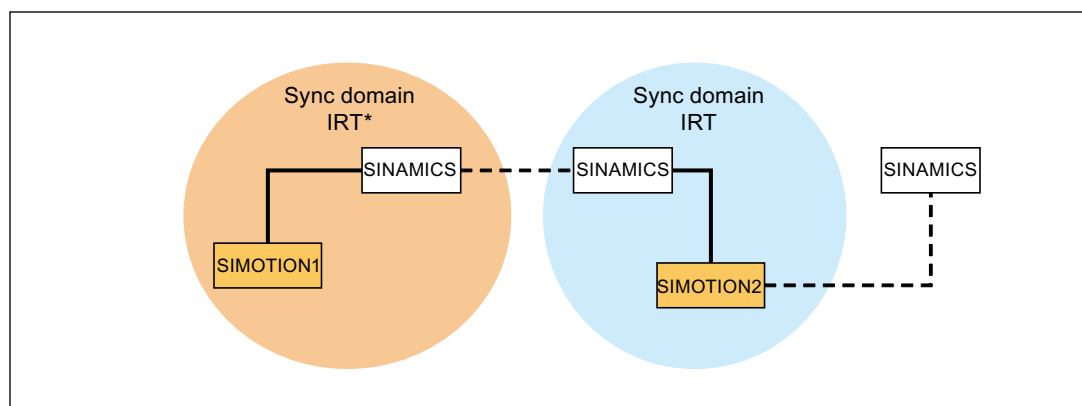


Figure 10-45 RT communication across the limits of synchronization domains

- - - communication outside synchronization domains

Update cycles and send cycles for RT classes

Definition of update cycle/send cycle:

If we take a single IO device in the PROFINET IO system as an example, this device has been supplied with new data (outputs) by the IO controller and it has transferred new data (inputs) to the IO controller within the update cycle. The send cycle is the shortest possible update cycle.

All cyclic data are transferred within the send cycle. The actual send cycle that can be set depends on various factors:

- Bus load
- Type of devices used
- Computing capacity available in the IO controller
- Send cycles supported in the PROFINET devices assigned to a synchronization domain. 1 ms is an example of a typical send cycle.

The table below specifies the reduction ratios which can be set between the send cycle and the update cycles for IRT*, IRT "high performance", IRT "high flexibility" and RT.

Table 10- 47 Settable send cycles and update cycles

Send cycle		Reduction ratio between update and send cycles	
		RT IRT "high flexibility" ⁴⁾	IRT* IRT "high performance"
Range "even" ¹⁾	250, 500, 1000 µs	1,2,4,8,16,32,64,128,256,512	IRT*: 1 IRT "high performance": 1,2,4,8,16 ²⁾
	2000 µs	1,2,4,8,16,32,64,128,256	IRT*: 1 IRT "high performance": 1,2,4,8,16 ²⁾
	4000 µs	1,2,4,8,16,32,64,128	IRT*: 1 IRT "high performance": 1,2,4,8,16 ²⁾
Range "uneven" ³⁾	375, 625, 750, 875, 1125, 1250 µs ... 3875 µs (increment 125 µs)	not supported ⁵⁾	1

Note

There is no intersection between the send cycles for the "even" and "uneven" ranges!

Explanations for the above table:

1) It is only possible to set send cycles from the "even" range when IO devices with RT class "RT" are assigned to a synchronization domain. Likewise, only the reduction ratios from the "even" range can be set for a send cycle setting from the "even" range.

2) It is generally only possible to set a reduction ratio of 1:1 between the update and send cycles for IO devices (ET200S IM151-3 PN HS, SINAMICS S) which are operated in isochronous mode. In this case, the update cycle mode must always be set to "fixed factor" (under I/O device properties, "IO cycle" tab, "Mode" pulldown menu). This means that STEP 7 will not automatically adjust the update cycle and thus the update cycle will always correspond to the send cycle.

3) The send cycles from the "uneven" range can be set only if a synchronization domain does not include any IO devices with RT class "RT". Likewise, only the reduction ratios from the "uneven" range can be set for a send cycle setting from the "uneven" range.

4) Isochronous operation is not compatible with IRT "high flexibility".

5) Uneven send cycles can be used only if the IO systems assigned to the synchronization domain do not include any RT or IRT "high flexibility" devices.

Furthermore, the send cycles which can actually be set are determined by the intersection between the send cycles supported by all the devices in the synchronization domain.

The reduction ratio between the update cycle of an IO device and the send cycle is set in the "Properties" of the PROFINET interface for the relevant device.

Send cycles for SINAMICS drive units

A SINAMICS drive unit with PROFINET interface which supports IRT*/IRT permits send cycle settings of between 0.5 ms to 4.0 ms in a 250 µs time frame.

Topology rules

Topology rules for RT

- A topology can be, but need not be configured for RT. If a topology has been configured, the devices must be wired in accordance with the topology.
- Otherwise, the wiring between devices is entirely optional.

Topology rules for IRT* and IRT

- Mixed operation is not supported by STEP 7 V5.4 SP4, i.e. IRT "high performance" cannot be combined with IRT "high flexibility" in the same synchronization domain.
- A synchronization domain with IRT*/IRT "high performance" can contain a maximum of one IRT*/IRT "high performance" island. "Island" means that the devices must be interconnected to match the configured topology. A synchronization master must be positioned in the relevant island.
- IRT "high flexibility" is subject to the same topology rules as IRT*/IRT "high performance", the only exception being that a topology need not be configured. However, if a topology has been configured, the devices must be wired to match the topology.

Device selection in HW Config

Hardware catalog:

The drive unit from the appropriate device family entry in the hardware catalog must then be configured. These are all the entries with end identifier ...PN-V2.2 for RT class IRT. The remaining entries are for RT class IRT*.

GSD:

Two GSD files are also available (one each for IRT* and IRT) for SINAMICS firmware versions V2.5 SP1 Hotfix 10 and V2.6. The names of GSD files for devices which contain IRT end in ...PN-V2.2.

10.3.4 Selection of the PROFINET variant

PROFINET variants

The PROFINET variant for the PROFINET interface can be selected as of SINAMICS firmware version 2.5 SP1 Hotfix 10.

Only one of the available PROFINET variants can be loaded as firmware at any one time to the Control Unit. All firmware files provided for different PROFINET variants are stored on the Control Unit's memory card.

The different PROFINET variants are listed below:

- PROFINET version 2.1 (RT class IRT*)
- PROFINET version 2.2 (RT class IRT)
- Customized

The PROFINET variants required are each stored in a separate UFW file on the memory card. The pointer file OPTBOARD.INF contains the names of the UFW files to be loaded. The contents of the pointer file are modified in order to switch from one firmware variant to another. POWER ON must then be executed to activate the change in variant. During the subsequent system boot, the UFW file referenced in the pointer file is loaded.

The pointer file refers to PROFINET V2.2 by default.

Table 10- 48 UFW files and selected in the pointer file

UFW file and folder on memory card	Functionality	Pointer file content
/SIEMENS/SINAMICS/CODE/CB/CBE20_0.UFW	PROFINET V2.1	CBE20=0
/SIEMENS/SINAMICS/CODE/CB/CBE20_1.UFW	PROFINET V2.2	CBE20=1
/OEM/SINAMICS/CODE/CB/CBE20.UFW	Customized	CBE20=99

The new parameter (p8835) available as of firmware version 2.6 can be used to modify/read the content of the pointer file OPTBOARD.INF. This file must be edited manually with other firmware versions. The default value PROFINET is p8835 = (1).

Indices of p8835:

- 0 = PROFINET V2.1
- 1 = PROFINET V2.2
- 99 = Customized

Writing the parameter modifies the content of file OPTBOARD.INF as long as the written value corresponds to a firmware variant on the card.

Reading the parameter displays the content of file OPTBOARD.INF.

Modifying the parameter effects switchover between the different variants. A POWER ON must then be performed to activate the change.

Identification of firmware variant:

The OMI diagnostic channel (r8858) can be read to identify which firmware variant of PROFINET interface is currently loaded.

10.3.5 Motion Control with PROFINET

Motion Control/Isochronous drive link with PROFINET

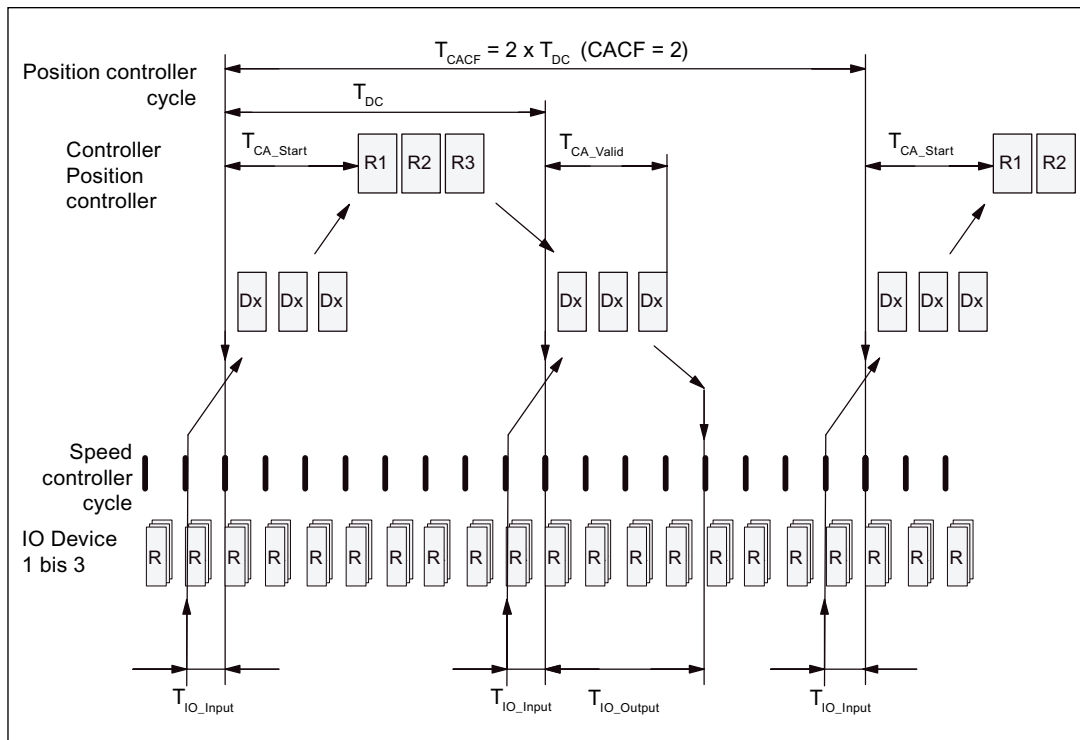


Figure 10-46 Motion Control/Isochronous drive link with PROFINET, optimized cycle with CACF = 2

Sequence of data transfer to closed-loop control system

1. Position actual value G1_XIST1 is read into the telegram image at time T_{IO_Input} before the start of each cycle and transferred to the master in the next cycle.
2. Closed-loop control on the master starts at time T_{CA_Start} after each position controller cycle and uses the current actual values read previously from the slaves.
3. In the next cycle, the master transmits the calculated setpoints to the telegram image of the slaves. The speed setpoint command NSOLL_B is issued to the closed-loop control system at time T_{IO_Output} after the beginning of the cycle.

Designations and descriptions for Motion Control

Table 10- 49 Time settings and meanings

Name	Value ¹⁾	Limit value	Description
T _{DC_BASE}	T_DC_BASE = 4	-	Time basis for cycle time T _{DC} calculation: T _{DC_BASE} = T_DC_BASE • 31.25 μs = 4 • 31.25 μs = 125 μs
T _{DC}	T_DC_MIN = 4 T_DC_MAX = 32	T_DC_MIN ≤ T_DC ≤ T_DC_MAX	Cycle time T _{DC} = T_DC • T _{DC_BASE} , T_DC: Integer factor T _{DC_MIN} = T_DC_MIN • T _{DC_BASE} = 4 • 125 μs = 500 μs T _{DC_MAX} = T_DC_MAX • T _{DC_BASE} = 32 • 125 μs = 4 ms
T _{CACF}	-	CACF = 1-14	IO controller application cycle time This is the time frame in which the IO controller application generates new setpoints (e.g. in the position controller cycle). Calculation example: T _{CACF} = CACF • T_DC = 2 • 500 μs = 1 ms
T _{CA_Valid}	-	T _{CA_Valid} < T _{DC}	Time, measured from the beginning of the cycle, at which the actual values of all IO devices for the controller application process (position control) are available.
T _{CA_Start}	-	T _{CA_Start} > T _{CA_Valid}	Time, measured from the beginning of the cycle, at which the controller application process (position control) starts.
T _{IO_BASE}	T_IO_BASE = 125000		Time base for T _{IO_Input} , T _{IO_Output} T _{IO_BASE} = T_IO_BASE • 1 ns = 125000 • 1 ns = 125 μs
T _{IO_Input}	T_IO_InputMIN = 3	T_IO_InputMIN < T_IO_Input ≤ T_DC	Time of actual value acquisition This is the time at which actual values are acquired before a new cycle starts. T _{IO_Input} = T_IO_Input • T_IO_BASE T_IO_Input: integer factor
		T _{IO_InputMIN}	Minimum value for T _{IO_Input} Calculation: T _{IO_InputMIN} = T_IO_InputMIN • T_IO_BASE = 375 μs
T _{IO_Output}	T_IO_OutputMIN = 2	T_IO_OutputMIN ≤ T_IO_Output ≤ T_DC	Time of setpoint transfer This is the time, calculated from the beginning of the cycle, at which the transferred setpoints (speed setpoint) are accepted by the closed-loop control system. T _{IO_Output} = T_IO_Output • T_IO_BASE T_IO_Output: integer factor
		T _{IO_OutputMIN}	Minimum value for T _{IO_Output} Calculation: T _{IO_OutputMIN} = T_IO_OutputMIN • T_IO_BASE = 250 μs
Dx			Data_Exchange This service is used to implement user data exchange between the IO controller and IO device 1 - n.
R or Rx			Processing time for speed or position controller
1) The values correspond to the device master file gsdml-v2.1-siemens-sinamics-s-cu3x0-20070615.xml			

Setting criteria for times

- Cycle (T_{DC})
 - T_{DC} must be set to the same value for all bus nodes. T_{DC} is a multiple of SendClock.
 - $T_{DC} > T_{CA_Valid}$ and $T_{DC} \geq T_{IO_Output}$

T_{DC} is thus large enough to enable communication with all bus nodes.

NOTICE

After T_{DC} has been changed on the PROFINET IO controller, the drive system must be switched on (POWER ON) or the parameter p0972=1 (Reset drive unit) must be set.

- T_{IO_Input} and T_{IO_Output}
 - Setting the times in T_{IO_Input} and T_{IO_Output} to be as short as possible reduces the dead time in the position control loop.
 - $T_{IO_Output} > T_{CA_Valid} + T_{IO_Output_MIN}$
- Settings and optimization can be done via a tool (e.g. HWConfig in SIMATIC S7).

User data integrity

User data integrity is verified in both transfer directions (IO controller \longleftrightarrow IO device) by a sign of life (4-bit counter).

The sign-of-life counters are incremented from 1 to 15 and then start again at 1.

- IO controller sign of life
 - STW2.12 ... STW2.15 are used as the IO controller sign of life.
 - The IO controller sign-of-life counter is incremented in each IO controller application cycle (T_{CACF}).
 - The number of sign-of-life errors tolerated can be set via p0925.
 - p0925 = 65535 deactivates sign-of-life monitoring on the IO device.
 - Monitoring

The IO controller sign of life is monitored on the IO device and any sign-of-life errors are evaluated accordingly.

The maximum number of tolerated IO controller sign-of-life errors with no history can be set via p0925.

If the number of tolerated sign-of-life errors set in p0925 is exceeded, the response is as follows:

1. A corresponding message is output.
2. The value zero is output as the IO device sign of life.
3. A new synchronization with the IO controller sign of life is started.

- IO device sign of life
 - ZSW2.12 ... ZSW2.15 are used as the IO device sign of life.
 - The IO device sign-of-life counter is incremented in each DC cycle (T_{DC}).

Applications

11.1 Switching on a drive object x_Infeed by means of a vector drive object

Description

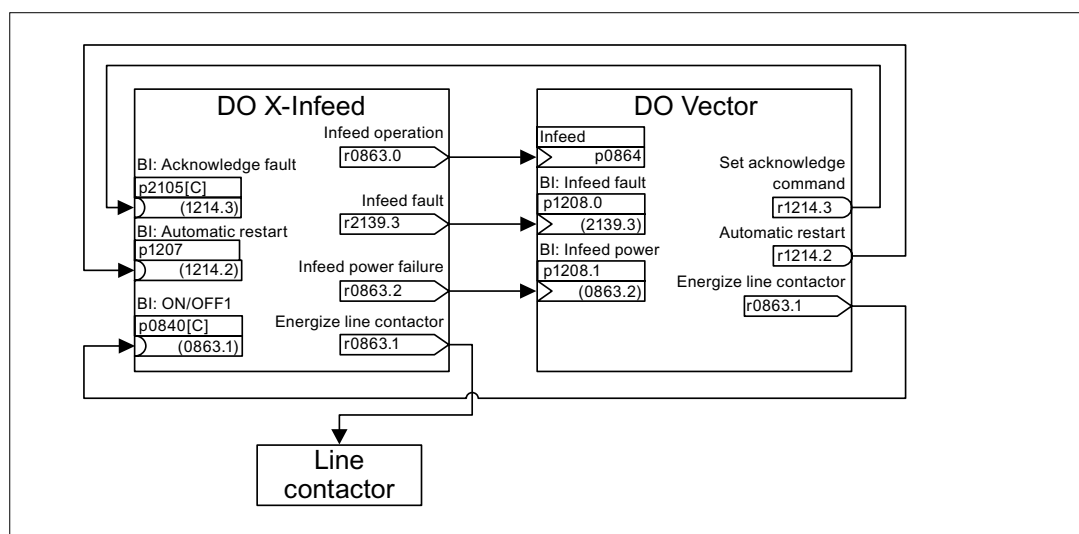


Figure 11-1 BICO interconnection

Using this BICO interconnection, a drive object (DO) x_Infeed can be switched-in by a vector drive object. This power-on version is mainly used for chassis units, if only one Line Module and one Motor Module are used. If the associated application requires an automatic restart function then the following procedure is recommended in order to implement it:

- The automatic restart function is activated on the DO vector (p1210).
- In addition to the automatic restart function, the flying restart function (p1200) must be activated on DO vector if it must be assumed that an automatic restart must be made for a motor that is still rotating.

Individual steps when restarting:

- After the line supply returns and the electronics has booted, the faults that have occurred at DO vector as a result of its automatic restart are acknowledged depending on the settings in p1210.
- The faults of the DO x_Infeed are acknowledged via the connection r1214.3 => p2105.
- The ON command (p0840) for the infeed is generated via the binector output "control line contactor" of the DO vector (p0863.1).

- The power-on attempt is interrupted if, during the new power-on sequence, a fault occurs on the DO x_Infeed. The fault is communicated to the DO vector via the BICO connection p1208.0 => r2139.3 shown above.
- The automatic restart of the DOs x_Infeed have absolutely no significance for the described power-on version.

11.2 Parallel operation of communication interfaces for CU320

General information

Only one of the two available hardware communication interfaces could be used for the processing of the cyclic process data (setpoints/actual values) in the CU320. This was either the

- onboard interface (PROFIBUS DP) or the
- additional option interface/COMM board (PROFINET, CAN,...).

The onboard interface was disabled when the COMM board was plugged in.

The parameterizable function (p8839) permits the parallel use of the onboard interface (PROFIBUS DP) and the COMM board (e.g. PROFINET) in the SINAMICS system.

The following applications can then be implemented:

- PROFIBUS DP for drive control and PROFINET for the acquisition of actual values/measured values of the drive.
- PROFIBUS DP for control and PROFINET for engineering only
- Mixed mode with two masters (one for logic % coordination and one for technology).
- Use of redundant communication interfaces

Assignment of communication interfaces to cyclic interfaces

Two cyclic interfaces exist for setpoints and actual values, which differ by their parameter ranges used (BICO, etc.) and the usable functionalities. These two interfaces are designated IF1 (cyclic interface 1) and IF2 (cyclic interface 2).

The HW communication interfaces (onboard, COMM board) are firmly assigned to one of these cyclic interfaces (IF1, IF2), depending on their type (PROFIBUS DP, PROFINET, CAN, ...). The respective other interface is disabled (except CAN).

For the parallel operation of the communication interfaces, this formerly fixed assignment to the cyclic interfaces can be determined as desired by user parameterization.

Properties of the cyclic interfaces IF1 and IF2

The following table shows the different features of the two cyclic interfaces:

Table 11- 1 Properties of the cyclic interfaces IF1 and IF2

Feature	IF1	IF2
Setpoint (BICO signal source)	r2050, r2060	r8850, r8860
Actual value (BICO signal sink)	p2051, p2061	p8851, p8861
PROFIdrive conformance	Yes	No
PROFIdrive telegram selection (p922)	Yes	No
Isochronous mode possible	Yes	No
Slave-to-slave communication (PROFIBUS only)	Yes	Yes
List of drive objects (p978)	Yes	Yes
Max. PZD (16bit) setpoint / actual value SERVO	16 / 19	16 / 16
Max. PZD (16bit) setpoint / actual value vector	32 / 32	16 / 16
Max. PZD (16bit) setpoint / actual value infeeds	5 / 8	5 / 8
Max. PZD (16bit) setpoint / actual value TM41	16 / 19	
Max. PZD (16bit) setpoint / actual value TM15	30 / 30	
Max. PZD (16bit) setpoint / actual value TM17	36 / 36	
Max. PZD (16bit) setpoint / actual value TM / TB (other)	5 / 5	
Max. PZD (16bit) setpoint / actual value CU (device)	5 / 15	

Table 11- 2 Implicit assignment of hardware to cyclic interfaces

Plugged hardware interface	IF1	IF2
No option, onboard interface only (PROFIBUS)	Onboard	--
PROFINET option (CBE20)	COMM board	--
CAN option (CBC10)	Onboard	COMM board
PROFIBUS option	Onboard	--

For parallel operation of the hardware interfaces and the explicit assignment to the cyclic interfaces IF1 and IF2, the new parameter p8839[0,1] "PZD Interface hardware assignment" exists for the device IO in the expert list.

The default setting of p8839[0,1]=99 enables the implicit assignment (see table above).

An alarm is generated in case of invalid or inconsistent parameterization of the assignment.

Note

Parallel operation of PROFIBUS and PROFINET

Isochronous applications can only run via the cyclic interface IF1. With an additional PROFINET module plugged in, there are two parameterization options:

- p8839(0) = 1 and p8839(1) = 2: PROFIBUS isochronous, PROFINET cyclic
- p8839(0) = 2 and p8839(1) = 1: PROFINET isochronous, PROFIBUS cyclic

Additional parameters for IF2

To permit a better use of the IF2 also for a PROFIBUS / PROFINET connection, the following extensions of the parameter list are available:

Infeeds:

r8850, p8851, r8853

Additional diagnostic parameters (meaning of 88xx identical with 20xx):

r8874, r8875, r8876

Additional binector-connector converter (meaning of 88xx identical with 20xx):

p8880, p8881, p8882, p8883, p8884, r8889

Additional conector-binector converter (meaning of 88xx identical with 20xx):

r8894, r8895, p8898, p8899

Note

It is not possible in the HW Config configuration tool to represent a PROFIBUS / PROFINET slave with two interfaces. In parallel operation, the SINAMICS will therefore appear twice in the project or in two projects although there is only one physical device.

Parameter

p8839	PZD Interface hardware assignment
Description:	Assigns the cyclic interface a hardware interface. Index 0: Assignment for interface 1 (IF1) Index 1: Assignment for interface 2 (IF2)
Values:	0: not active
	1: ONBOARD hardware
	2: COMM BOARD
	99: Automatic (assignment according to plugged HW, compatible setting)

The following rules apply to the setting of p8839:

- The setting of p8839 applies to all DOs of a CU (device parameter).
- For the setting p8839(0) = 99 and p8839(1) = 99 (automatic assignment, default), the assignment will be made on the basis of the plugged hardware. To render this automatic assignment active, it must be selected for both indexes; otherwise an alarm is generated, and the setting p8839(x) = 99 is treated in the same manner as 'not active'.
- An alarm is issued if the same hardware (onboard or COMM board) is selected in p8839(0) and p8839(1). In this case, the setting of p8839(0) is effective. The setting of p8839(1) is treated as 'not active'.
- With the CAN module plugged (CBC10), an entry of p8839(0) = 2 is invalid (no assignment of CAN module to IF1). An alarm is issued.
- With the setting p8839(x) = 2 and the COMM board missing / defective, the respective interface is not automatically fed by the onboard interface. Instead, an alarm is issued.

Alarm

A_8550	PZD interface hardware assignment incorrect
Description:	The assignment of the hardware to the PZD interface has been incorrectly parameterized.
Values:	1: Only one of the two indexes is not equal to 99
	2: Both PZD interfaces have been assigned the same hardware
	3: Assigned COMM board missing
	4: CBC10 has been assigned to interface 1

11.3 Motor changeover

The motor changeover is used in the following cases, for example:

- Changing-over between different motors and encoders
- Switching over different windings in a motor (e.g. star-delta changeover)
- Adapting the motor data

If several motors are operated alternately on a Motor Module, a matching number of drive data sets must be created.

Note

Applicable to "Vector" drive type:

To switch to a rotating motor, the "flying restart" function must be activated (p1200).

NOTICE

When changing over the drive data set between several motors that physically exist with integrated holding brakes, it is not permissible that the internal brake control is used.

Example: motor changeover for four motors

Requirements

- First commissioning has been completed.
- 4 motor data sets (MDS), p0130 = 4
- 4 drive data sets (DDS), p0180 = 4
- 4 digital outputs for controlling the auxiliary contactors
- 4 digital inputs for monitoring the auxiliary contactors
- 2 digital inputs for selecting the data set
- 4 auxiliary contactors with auxiliary contacts (1 NO contact)

11.3 Motor changeover

- 4 motor contactors with positively-driven auxiliary contacts (3 NC contacts, 1 NO contact)
- 4 motors, 1 Control Unit, 1 infeed, and 1 Motor Module

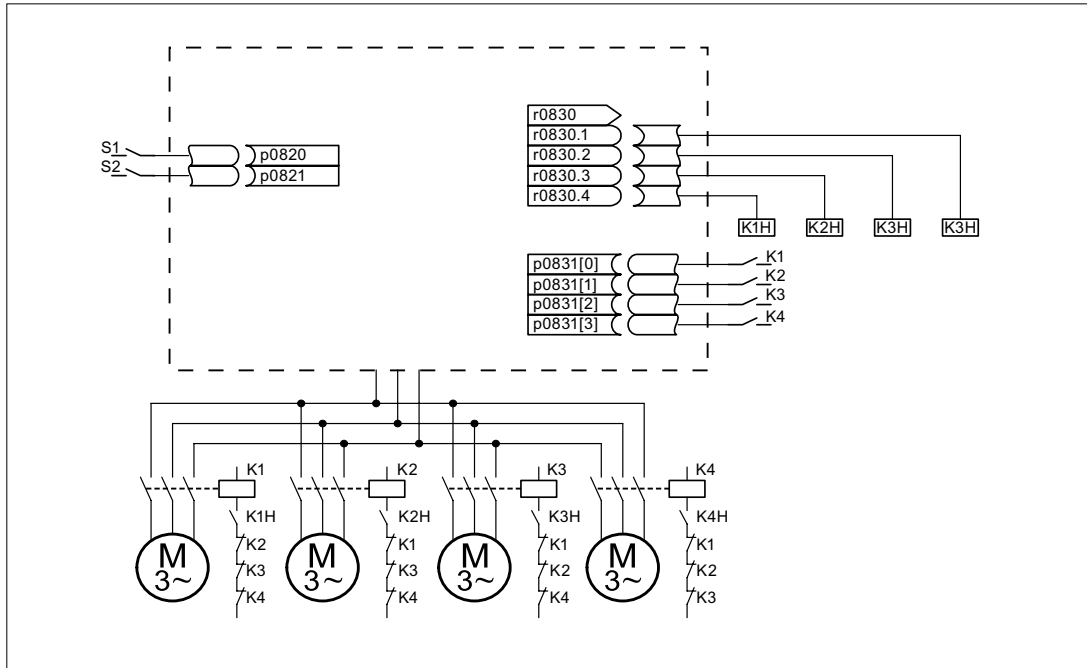


Figure 11-2 Example of motor changeover

Table 11- 3 Settings for the example

Parameter	Settings	Remark
p0130	4	Configure 4 MDS.
p0180	4	Configure 4 DDS.
p0186[0...3]	0, 1, 2, 3	The MDS are assigned to the DDS.
p0820, p0821	Digital inputs DDS selection	The digital inputs for motor changeover via DDS selection are selected. Binary coding is used (p0820 = bit 0 etc.).
p0822 to p0824	0	
p0826[0...3]	1, 2, 3, 4	Different numbers indicate a different thermal model
p0827[0...3]	1, 2, 3, 4	Assign the bit from p0830 to the MDS. If p0827[0] = 1, for example, bit p0830.1 is set when MDS0 is selected via DDS0.
p0830.1 to p0830.4	Digital outputs, auxiliary contactors	The digital outputs for the auxiliary contactors are assigned to the bits.
p0831[0...3]	Digital inputs, auxiliary contacts	The digital inputs for the feedback signal of the motor contactors are assigned.
p0833.0..2	0, 0, 0	The drive controls the contactor circuit and pulse inhibition. Parking bit (Gn_ZSW14) is set.

Procedure for switchover between motor data sets

1. Start condition:

For synchronous motors, the actual speed must be lower than the speed at the start of field weakening. This prevents the regenerative voltage generated from being greater than the terminal voltage.

2. Pulse inhibit:

The pulses are inhibited after a new drive data set is selected with p0820 to p0824.

3. Open the motor contactor:

Motor contactor 1 is opened r0830 = 0 and the status bit "Motor changeover active" (r0835.0) is set.

4. Change over the drive data set:

The requested data set is activated (r0051 = requested data set).

5. Energize the motor contactor:

After the feedback signal (motor contactor opened) for motor contactor 1, the appropriate bit of r0830 is set and motor contactor 2 is energized.

6. Enable the pulses:

After the feedback signal (motor contactor closed) for motor contactor 2, the bit "motor changeover active" (r0835.0) is reset and the pulses are enabled. The motor has now been changed over.

Example of a star/delta changeover

Requirements

- First commissioning has been completed.
- 2 motor data sets (MDS), p0130 = 2
- 2 drive data sets (DDS), p0180 = 2
- 2 digital outputs for controlling the auxiliary contactors
- 2 digital inputs for monitoring the auxiliary contactors
- 1 free speed monitoring (p2155)
- 2 auxiliary contactors with auxiliary contacts (1 NO contact)
- 2 motor contactors with positively-driven auxiliary contacts (1 NC contact, 1 NO contact)
- 1 motor, 1 Control Unit, 1 infeed, and 1 Motor Module

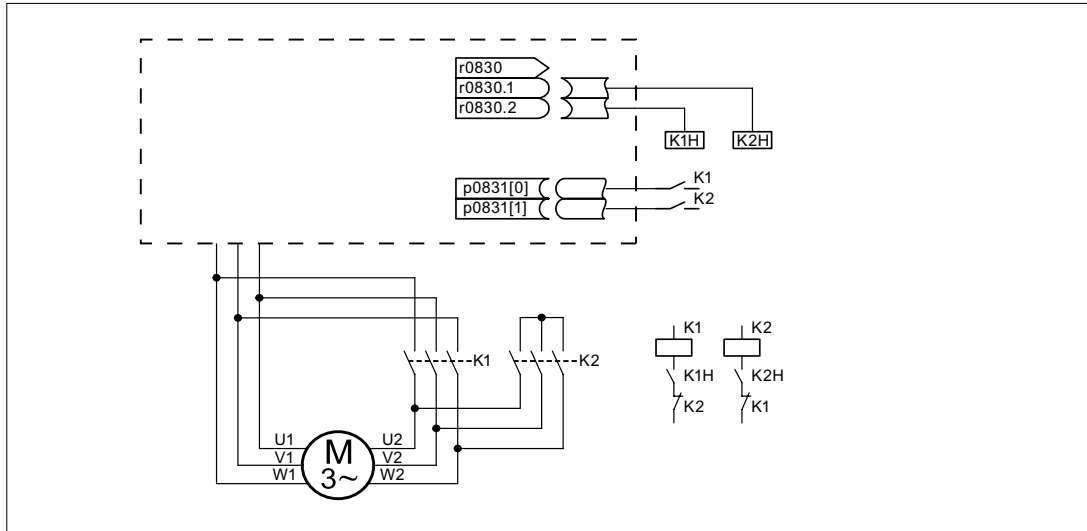


Figure 11-3 Example: star/delta changeover

Table 11-4 Settings for the example

Parameter	Settings	Remark
p0130	2	Configure 2 MDS.
p0180	2	Configure 2 DDS.
p0186[0...1]	0, 1	The MDS are assigned to the DDS.
p0820	p2197.2	Changeover to delta connection after speed in p2155 is exceeded.
p0821 to p0824 0	0	
p0826[0...1]	0; 0	Identical numbers signify the same thermal model.
p0827[0...1]	1, 2	Assign the bit from p0830 to the MDS. If p0827[0] = 1, for example, bit p0830.1 is set when MDS0 is selected via DDS0.
p0830.1 and p0830.2	Digital outputs, auxiliary contactors	The digital outputs for the auxiliary contactors are assigned to the bits.
p0831[0...1]	Digital inputs, auxiliary contacts	The digital inputs for the feedback signal of the motor contactors are assigned.
p0833.0..2	0, 0, 0	The drive controls the contactor circuit and pulse inhibition. Parking bit (Gn_ZSW14) is set.
p2155	Changeover speed	Sets the speed at which circuit is to be changed over to delta.

Procedure for star/delta changeover

1. Start condition:

For synchronous motors, the actual speed must be lower than the star field weakening speed. This prevents the regenerative voltage from exceeding the terminal voltage.

2. Pulse inhibit:

The pulses are suppressed after a new drive data set is selected with p0820.

3. Open the motor contactor:

Motor contactor 1 is opened (r0830 = 0) and the status bit "Motor data set changeover active" (r0835.0) is set.

4. Change over the drive data set:

The requested data set is activated (r0051 = requested data set).

5. Energize the motor contactor:

After the feedback signal (motor contactor opened) for motor contactor 1, the appropriate bit of r0830 is set and motor contactor 2 is energized.

6. Enable the pulses:

After the feedback signal (motor contactor closed) for motor contactor 2, the bit "motor changeover active" (r0835.0) is reset and the pulses are enabled. The changeover is complete.

Function diagrams (see SINAMICS S120/S150 List Manual)

- 8565 Drive Data Sets (DDS)
- 8570 Encoder Data Sets (EDS)
- 8575 Motor Data Sets (MDS)

Overview of important parameters (see SINAMICS S120/S150 List Manual)

- r0051 Drive data set (DDS) effective
- p0130 Motor data sets (MDS) number
- p0140 Encoder data sets (EDS) number
- p0180 Drive data sets (DDS) number
- p0186 Motor data sets (MDS) number
- p0187 Encoder 1 encoder data
- p0820 BI: Drive data set selection DDS, bit 0
- ...
- p0824 BI: Drive data set selection DDS, bit 4
- p0826 Motor changeover motor number
- p0827 Motor changeover status bit number
- p0828 BI: Motor changeover feedback
- p0830 CO/BO: Motor changeover status
- p0831 BI: Motor changeover contactor feedback
- p0833 Data set changeover configuration

11.4 Application examples with the DMC20

Features

The DRIVE-CLiQ Hub Module Cabinet 20 (DMC20) has the following features:

- Own drive object
- 6 DRIVE-CLiQ ports
- Own faults and alarms

Typical applications would include:

- Implementation of a distributed topology via a DRIVE-CLiQ cable
- Hot plugging (a DRIVE-CLiQ connection is withdrawn in operation)

Description

The DRIVE-CLiQ Hub Module Cabinet 20 (DMC20) is used for the star-shaped distribution of a DRIVE-CLiQ line. With the DMC20, an axis grouping can be expanded with four DRIVE-CLiQ sockets for additional subgroups.

The component is especially suitable for applications which require DRIVE-CLiQ nodes to be removed in groups, without interrupting the DRIVE-CLiQ line and therefore the data exchange.

Example: Distributed structure

Several direct length measuring systems are used in a machine. These are to be combined in a control cabinet and connected to the Control Unit via a DRIVE-CLiQ cable.

When using a DMC20, up to five measuring systems can be combined. The measuring systems are not assigned directly to the drive objects. Instead, they must be assigned to the drive objects in the topology view in STARTER.

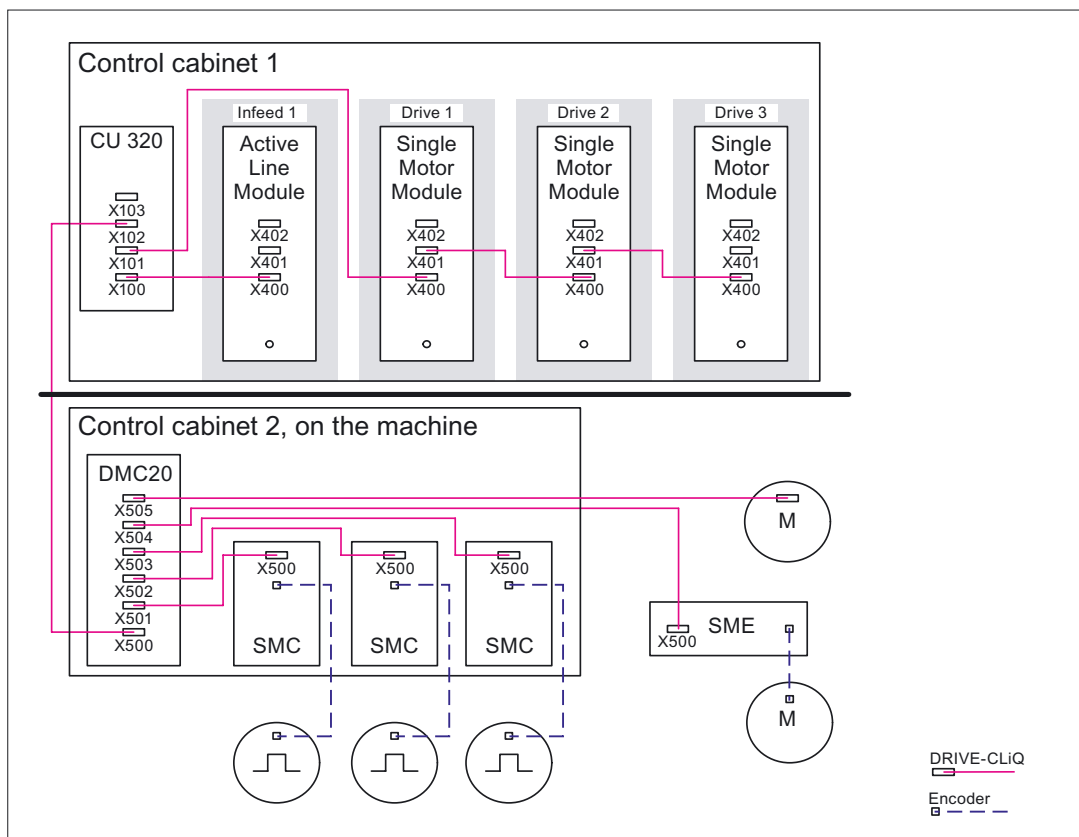


Figure 11-4 Example, distributed topology using DMC20

Example: Hot plugging

Using the hot-plugging function, components can be withdrawn from the operational drive line-up (the other components continue to operate) on the DRIVE-CLiQ line. This means that the corresponding drive object must first be deactivated/parked beforehand using parameter p0105 or STW2.7.

The following requirements must be satisfied:

Hot plugging is only possible when a drive object is connected in a star configuration to a Control Unit or to the DRIVE-CLiQ Hub DMC20.

The system does not support removing DRIVE-CLiQ connections between the other DRIVE-CLiQ components e.g. Sensor/Terminal Module to Motor Module, Motor Module to Motor Module.

The complete drive object (Motor Module, motor encoder, Sensor Module) is disabled via p0105.

STW2.7 is used to set the function "Park axis" for all components that are assigned to the motor control (Motor Module, motor encoders). All components that belong to Encoder_2 or Encoder_3 remain active. The "Park axis" function is only enabled by setting the ZSW2.7 bit in combination with pulse inhibit.

Note

Drives with enabled safety functions must not be deactivated, see chapter "Safety Integrated" for further details.

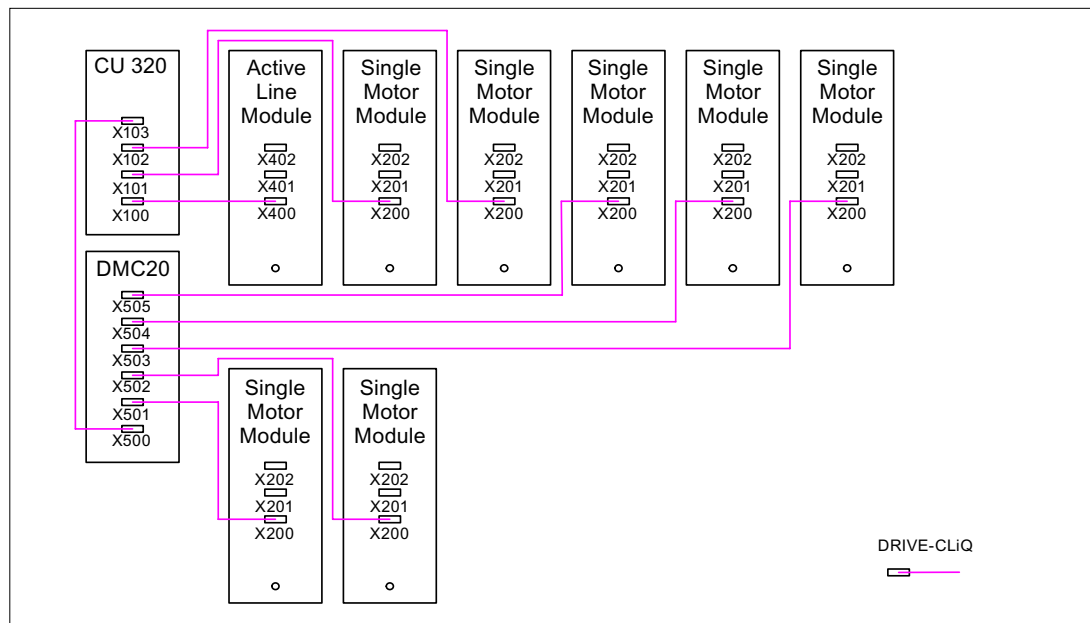


Figure 11-5 Example topology for hot plugging in vector V/f_control mode

Note

In order to disconnect and isolate the power unit from the DC link, additional measures must be applied - such as DC link wiring through the DC link infeed adapter and DC link disconnecting devices. The safety information and instructions in the Equipment Manual must be carefully observed.

Instructions for offline commissioning with STARTER

With automatic online configuration in STARTER, the DMC20 is detected and integrated in the topology. The following steps must be taken to commission offline:

1. Configure a drive unit offline
2. Right-click on Topology -> Insert New Object -> DRIVE-CLiQ Hub
3. Configure the topology

Overview of important parameters (see SINAMICS S120/S150 List Manual)

- p0105 Activate/deactivate drive object
- r0106 Drive object active/inactive
- p0897 BI: Parking axis selection
- r0896.0 BO: Parking axis status word
- p0151 DRIVE-CLiQ Hub component number
- p0154 DRIVE-CLiQ Hub identification using LED
- p0157 DRIVE-CLiQ Hub EPROM data version
- r0158 DRIVE-CLiQ Hub firmware version

11.5 Tolerant encoder monitoring with SMC30

Features

As of firmware version 2.6, the SMC30 module (code at end of order number -CA2) offers the following additional functions for evaluating encoder signals:

- Hardware filter
- Optional zero mark
Encoders can have zero marks in any position. Different lengths of zero mark can also be configured.
- Parameterizable rotor position adaptation
When an encoder disk is dirty, the drive should add the missing pulses on the basis of the zero mark repetitions. If EMC interference causes too many pulses to be added, these will be subtracted again every time the zero mark is crossed.
- Freeze speed raw value.
- Greater compatibility with older encoder types, including third-party encoders.

Two additional parameters (p0437 and r0459) have been added for the new range of SMC functions.

r0458.12 = 1 indicates whether the extended sensor properties are supported.

Note

The encoder monitoring functions must be parameterized when the encoder is commissioned, and they can only be parameterized via the expert list. The encoder monitoring parameters cannot be changed while the drive is running!

The available SMC functions, which are described below, also apply to the internal encoder evaluation in CU310 and CUA32.

Settable hardware filter

p0438 Filter time rectangular signal encoder

only discrete values in the following increments are supported:

No filtering, 0.04 μ s, 0.64 μ s, 2.56 μ s, 10.24 μ s, 20.48 μ s

Any value between 0 and 100 μ s can be set. If you enter a value other than one of the discrete values specified above, the firmware automatically sets the next closest discrete value. This is carried out by the drive without alarm or fault message.

r0452 Effective filter time rectangular signal encoder

The display parameter shows the filter time currently effective in the processor.

The influence of the filter time on the maximum possible speed can be calculated as follows:

Maximum speed: $n_{\text{max}} [\text{rpm}] = 60 / (\text{p0408} * 4 * \text{r0452})$

p0408: Rotary encoder pulse number,

r0452: Filter time rectangular signal encoder display.

Example:

If p0408 = 2048 and r0452 = 10.24 [μ s], then n_{max} equals:

$n_{\text{max}} = 60 / (2048 * 4 * 10.24 \times 10^{-6}) = 715 [\text{rpm}]$.

This means that the motor can operate at max. 715 rpm with this filter time.

Extension of encoder operating modes for HTL/TTL encoders

Track monitoring A/B <--> -A/B with rectangular signal encoders

The following parameters must be set:

- p0404.3 = 1 switches to the rectangular signal encoder
- p0405.0 = 1 sets the signal to bipolar
- p0405.2 = 1 activates track monitoring

If the encoder is specified in the list for p0400 and has been selected, the p0405 parameters are set automatically and cannot be changed (for more information, see parameter p0400 in LH1).

- All track monitoring functions can be individually evaluated with the new hardware (order number -CA2) and, with firmware version 2.6 and higher, for HTL and TTL encoders as well.
- A group fault message is generated as an OR operation of individual fault messages.
- It is still possible to diagnose individual fault messages.

Note

For CU310, CUA32, D410, and SMC30 (MLFB 6SL3055-0AA00-5CA0 and 6SL3055-0AA00-5CA1 only), fault 31117 is output (with active track monitoring) if a rectangular signal encoder without an R track is connected. On the encoder connection, the encoder supply ground (pin 7) must be connected to RP (pin 10) and the encoder supply (pin 4) to RN (pin 11).

Zero mark detection

This function is activated with parameter setting p0437.1.

- Bit status 0: Default
- Bit status 1: Operating mode
Pure edge zero mark detection.

Zero mark monitoring

Zero mark monitoring is activated with parameter setting p0437.2 = 1.

p4680[0...n] Zero mark monitoring permissible tolerance

Sets the permissible tolerance in encoder pulses for zero mark monitoring. Permissible tolerance until the zero mark is reached again.

Range: 0 ... 1000, default: 1

Minimum length of zero mark

The following parameter setting can be used to check the minimum length of the zero mark:

p4686 Minimum length setting of zero mark

- Setting range: 0 to 2^{24} , but less than the zero mark distance in p0425. The drive does not allow the length limit specified in p0425 to be exceeded and outputs the message "Value higher than p0425" in STARTER if the length input is too high.

Fault monitoring zero mark detection

Encoder faults are monitored as before by means of fault

F3x101 encoder x: zero mark failure

or alarm

A3x401 encoder x: alarm threshold zero mark failure

(x = encoder number 1-3).

Pulse number correction for rectangular signal encoders

The correction function is activated with p0437.2.

- Bit status 0: Function disabled (default).
- Bit status 1: Function active

X_IST1 supplies pulses which may be set to the nominal number of pulses by the correction function when the next zero mark is detected.

The pulses are also corrected at the rotor position for commutation.

The speed sensing function is not corrected. Corrections are made directly in the SMC.

With the parameters

p4681[0...n] Tolerance window zero mark positive limit

default: 2 (equals 2 encoder pulses), max. 1000

and

p4682[0...n] Tolerance window zero mark negative limit

default: -1001, max. -1001: negated value of p4681

, it is possible to set the tolerance for deviations in pulse number. When the deviation exceeds the tolerance window, encoder fault F3x131 is signaled (x = encoder number 1-3).

Note

The "positive limit" defines additional pulses counted as a result of EMC interference. The "negative limit" defines the number of pulses lost in the encoder as a result of dirt on the encoder glass disk.

The correction also works on external encoders operating as a master value encoder in the drive line-up (correction of position value X_IST1 from a direct measuring system).

Freezing of the raw speed value when the dn/dt monitor responds

This function is activated with parameter setting p0437.6.

- Bit status 0: Function disabled (default).
- Bit status 1: Function active

If the dn/dt monitor responds, the message A31418 " Encoder 1: Speed difference per sampling rate exceeded" is output and a frozen actual speed value limited for the duration of 3 current controller cycles is supplied.

Overview of important parameters (see SINAMICS S120/S150 List Manual)

- p0404[0...n] Encoder configuration operative / Enc_config operative
- p0405[0...n] Rectangular signal encoder track A/B / rectangular signal encoder A/B
- p0408 Rotary encoder pulse number
- p0437[0...n] Sensor Module extended configuration
- p0438[0...n] Rectangular signal encoder filter time
- r0452[0...2] Rectangular signal encoder filter time display
- r0458[0...2] Sensor Module properties
- r0459[0...2] Sensor Module extended properties
- p4680[0...n] Zero mark monitoring permissible tolerance
- p4681[0...n] Zero mark monitoring tolerance window positive limit
- p4682[0...n] Zero mark monitoring tolerance window negative limit
- p4686[0...n] Zero mark minimum length

11.6 DCC axial winder

Description

The "DCC axial winder" functionality covers a wide variety of winder applications.

With a suitable setup, the function provides a winder or unwinder for a wide variety of applications, such as film production plants, printing machines, coating plants, coil winders for wire-drawing machines or textile machines.

An axial winder solution usually comprises a winder drive, a continuous web and possibly sensors. The axial winder serves to wind or unwind a continuous web with a defined tension. The winder diameter will change during the winding process. The product thickness increases or decreases during the winding or unwinding process. The drive system calculates the current diameter on the basis of system variables and influences the speed or torque, depending on the application, so that the tension and velocity of the web is maintained according to specifications. This requires the current velocity of the web and the rotational speed of the winder axis to be known.

Features

- Different winding and control methods can be applied, e.g. direct closed-loop tension control through speed correction or torque limiting and indirect closed-loop tension control
- Closed-loop control can be implemented through "Tension controller acting on torque limits" or "Tension controller acting on speed setpoint"
- Adaptation of tension controller and speed controller gain based on diameter or inertia
- Diameter-based winding tightness diagram
- Diameter calculation
- Acceleration-based torque pre-control
- Flexible sensor evaluation (e.g. dancer roll, load cell)

Note

Documentation for a standard application for the DCC axial winder is available on demand from your responsible SIEMENS distribution partner.

Function blocks

The "DCC axial winder" function involves the following DCBs (Drive Control Blocks), i.e. function blocks for drive control:

Note

Detailed information on the function blocks is contained in the "SINAMICS SIMOTION Function Manual DCC Block Description" as well as in the "SINAMICS SIMOTION Programming Manual DCC Editor".

1. TTCU block: Winding hardness diagram
The block is applied for defining the tension setpoint as a function of the current winder diameter. The setpoint is adjusted according to a selectable characteristic curve.
2. DCA block: Diameter calculator:
The DCA (Diameter Calculator) is used to determine the current diameter of an axial winder based on the path velocity and the motor speed. The calculated diameter is checked for plausibility.
3. INCO block: Dynamic calculation of the moment of inertia for torque pre-control and Kp adaptation of the speed controller
(see figure "Axial winder setup", abbreviations refer to block description).
The block calculates the mass moment of inertia of an axial winder, referred to the motor side. In addition to the diameter (from DCA), the block also contains information on the geometry and material properties of the winder and the winding product.
The static mass moment of inertia referred to the motor side is passed to the DCC block via the parameter r1493. The result is fed back to the basic system via the scaling parameter p1497 (referred to the static moment of inertia).

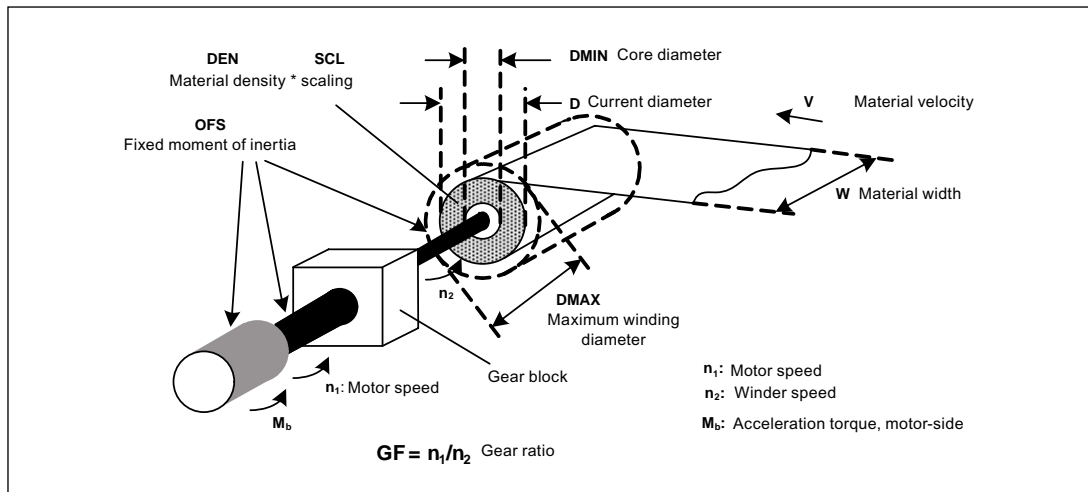


Figure 11-6 Axial winder setup

Operating principle

To maintain a constant tension of the continuous web, the drive moment is increased in a linear manner while the winding diameter increases, or decreased while the winding diameter decreases.

To protect the winding material during the winding process, the tension is reduced according to a characteristic curve when the winding diameter increases.

The calculation of the continuously changing moment of inertia permits a torque pre-control during a steady decrease or increase of the winder speed.

By using a sensor, a speed controlled operation of the winder is possible. The winder can be operated without an encoder by controlling the tension moment, with two scaling parameters p1552 and p1554 for tension moment limitation (see torque limitation).

Calculation of the moment of inertia for torque pre-control

The function diagram below shows the calculation flow for SERVO control with encoder [5042] / without encoder [5210]:

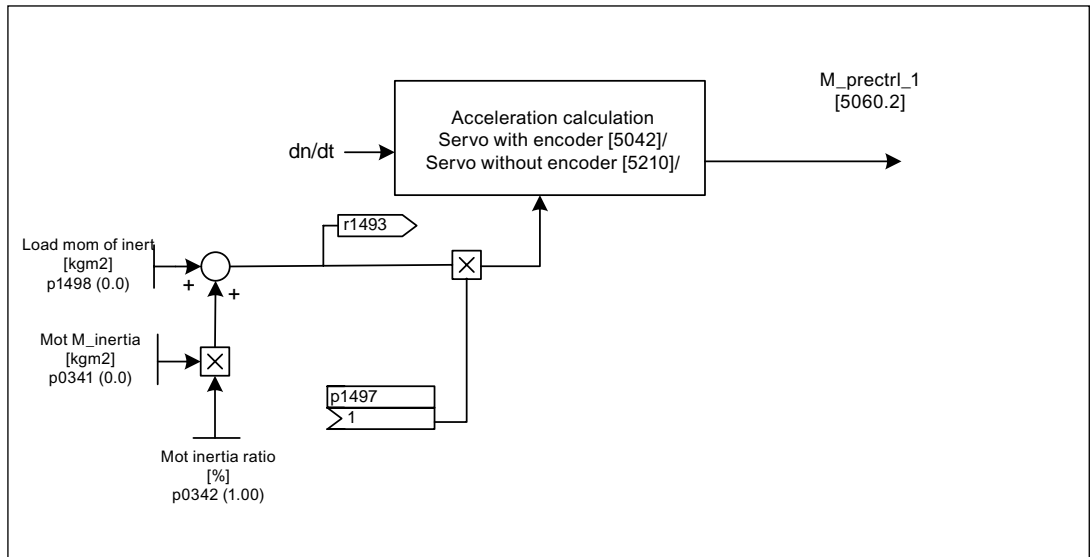


Figure 11-7 Torque pre-control for SERVO control

The function diagram below shows the calculation flow for VECTOR control [6031]:

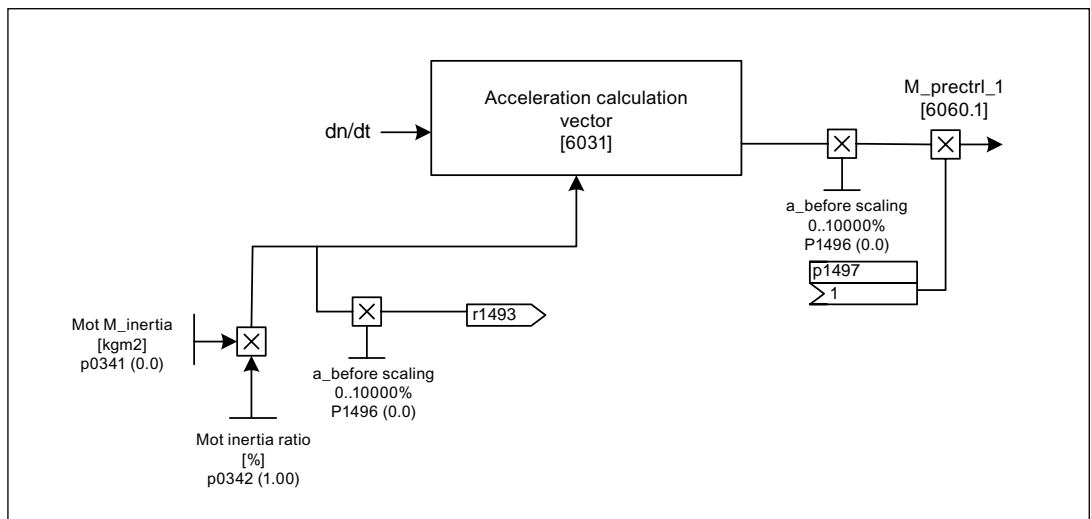


Figure 11-8 Torque pre-control for VECTOR control

Parameters for the function diagrams for torque pre-control**p0341[0...n] Motor moment of inertia / MotID M_mom inert**

Setting of the motor moment of inertia (no load).

This parameter is automatically preset for motors from the motor list (p0301). When a motor from the list is selected, this parameter cannot be changed (write protection). To remove the write protection, the information in p0300 must be observed.

p0342[0...n] Ratio between the total moment of inertia and that of the motor

Sets the ratio between the total moment of inertia/mass (load + motor) and the intrinsic motor moment of inertia/mass (no load).

The product $p0341 * p0342$ is taken into account when automatically calculating the speed controller (VECTOR).

p1455[0...n] CI: Speed controller P gain adaptation signal / n_reg Adapt_sig Kp

Sets the source for the adaptation signal for additional adaptation of the speed controller P gain. A possible source is the relative moment of inertia of the INCO block.

r1493 Moment of inertia, total

Indication of the total moment of inertia before evaluation by scaling using p1497.

SERVO: $r1493 = (p0341 * p0342) + p1498$

VECTOR: $r1493 = (p0341 * p0342) * p1496$

p1496[0...n] Acceleration pre-control scaling / a_before scaling (VECTOR)

Sets the scaling for the acceleration pre-control of the speed/velocity controller.

p1497[0...n] CI: Moment of inertia, scaling / M_mom inert scal

Scaling factor of the static moment of inertia for the calculation of the current total moment of inertia ($r1493$ + portion of the moment of inertia of the winding product calculated by the INCO block).

p1498[0...n] Load moment of inertia / Load mom of inert (SERVO only)

Moment of inertia of the load without winding product

Limitation of the speed controller output with dynamic speed limits

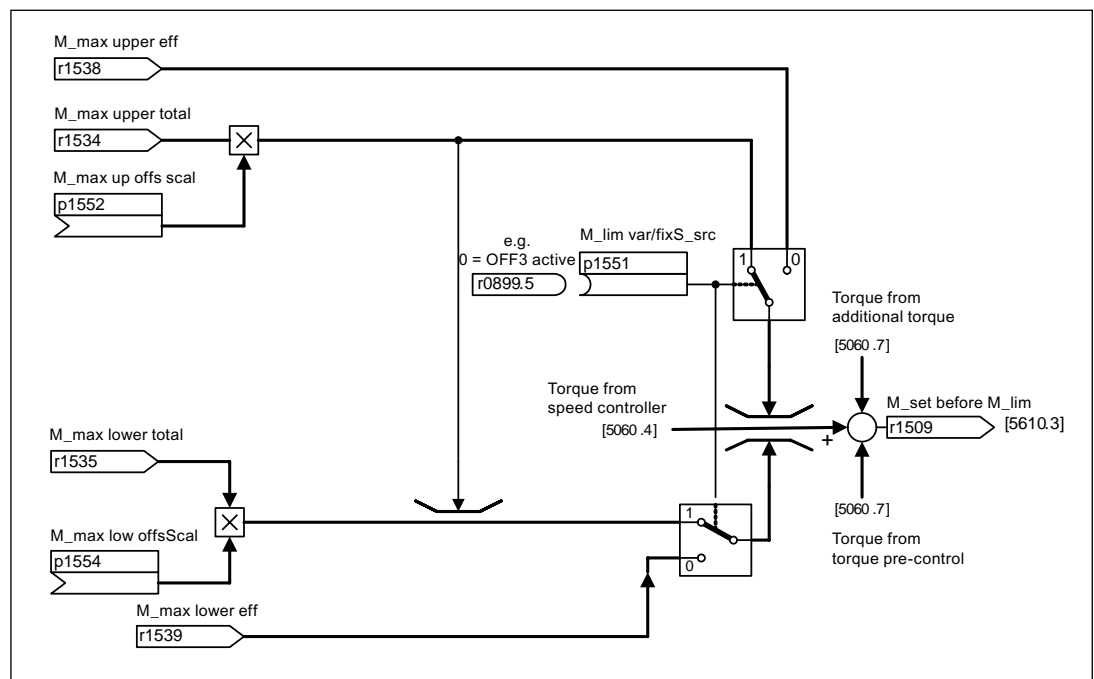


Figure 11-9 Limitation of the speed controller output with dynamic speed limits (example of SERVO)
See 6060 for VECTOR application.

Parameters of the function diagram for torque limitation

p1551[0...n] Torque limit variable/fixed signal source / M_lim var/fixS_src

Sets the signal source for switching the torque limits between variable and fixed torque limit.

1 signal from BI: p1551:

A variable torque limit is effective (fixed torque limit + scaling).

0 signal from BI: p1551:

The fixed torque limit is effective.

p1552[0...n] Torque limit upper scaling without offset / M_max up offs scal

Sets the signal source for the scaling of the upper torque limit to limit the speed controller output without considering current and power limits. A possible source is the torque preset from the DCC diagram.

p1554[0...n] Torque limit lower scaling without offset / M_max low offsScal

Sets the signal source for the scaling of the lower torque limit to limit the speed controller output without considering current and power limits. A possible source is the torque preset from the DCC diagram.

Adaptation of the torque limits by means of tension controller

This method is often used in winder applications to prevent the winder from running away if the web breaks.

For this purpose, the drive is operated with speed controller override, with the speed setpoint being calculated as a function of diameter (see DCA block). The control signal of the tension controller is set to the torque limits, which causes the drive to operate at the torque limit in normal mode. In case of a web break, this prevents the tension controller from actively building torque. The winder speed is limited by the speed setpoint.

Function diagrams (see SINAMICS S120/S150 List Manual)

- 5042 Servo control, speed controller, torque/speed pre-control with encoder
- 5060 Servo control, torque setpoint
- 5210 Servo control, speed controller without encoder
- 5610 Torque limiting/reduction/interpolator
- 5620 Motor/generator torque limit
- 6031 Vector control, pre-control balancing
- 6060 Servo control, torque setpoint

11.7 Control Units without infeed control

Description

To ensure that the drive line-up functions satisfactorily, you must ensure – among other things – that the drives only draw power from the DC link when the infeed is in operation. In a DC link line-up that is controlled by just one Control Unit and in which a drive object has an infeed, the BICO interconnection $p0864 = p0863.0$ is established automatically during commissioning.

In the following cases, the BICO input $p0864$ must be supplied manually:

- Smart Line Modules without DRIVE-CLiQ (5 kW and 10 kW)
- DC link line-up with more than one Control Unit

Examples: interconnecting "Infeed ready"

Smart Line Modules without DRIVE-CLiQ (5 kW and 10 kW)

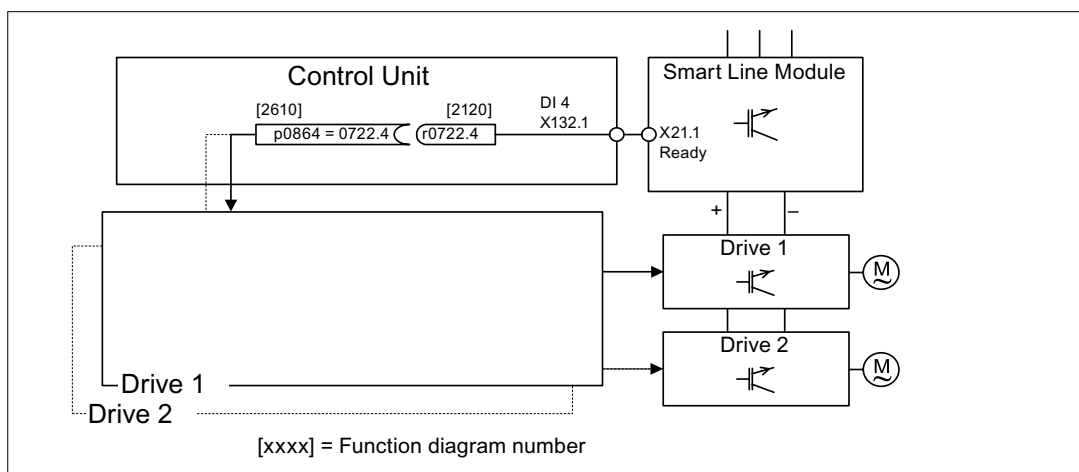


Figure 11-10 Example: interconnecting a Smart Line Module without DRIVE-CLiQ

DC link line-up with more than one Control Unit

In the following example, two Control Units control drives that are connected to the same DC link. The source for the "Infeed operation" signal can also be a digital input.

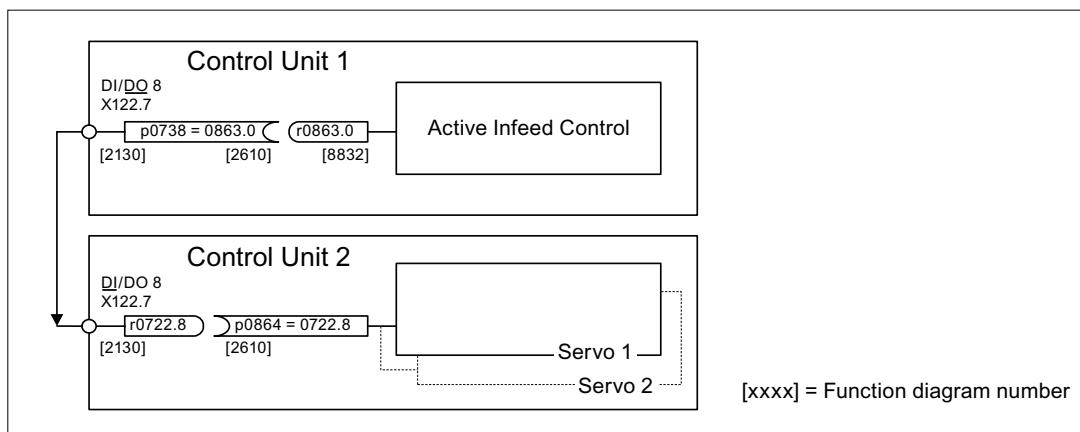


Figure 11-11 Example: interconnection with more than one Control Unit

11.8 Derating function for chassis units

Description

An adjusted derating function greatly reduces the noise produced by chassis format power units (Motor Modules and Power Modules) and enables operation at a multiple of the nominal pulse frequency at nearly nominal current. This is achieved by monitoring the temperature increase between heat-sink and chip by means of temperature sensors. When the operating temperature threshold is exceeded, the pulse frequency or permitted current limit, respectively, is automatically reduced.

This enables the maximum output current of the power unit to be achieved even at high pulse frequencies. The derating curve becomes effective at a later point.

The derating function is effective with Motor Modules (DC/AC units of chassis format) and Power Modules (AC/AC units of chassis format). Units that are connected in parallel operate in the same manner as single units. The dependency of the output current of the pulse frequency for the chassis power units of the SINAMICS S120 is described in the S120 Function Manual, Chassis Power Units.

Operating principle

In order to optimize the use of the power unit also at temperatures below the maximum permitted ambient temperature, the maximum output current is controlled as a function of the operating temperature. This function also accounts for the dynamic response of the thermal performance (rise and decay curves of the operating temperature).

An alarm threshold is calculated that is weighted with the current ambient temperature.

By weighting the alarm threshold with the current ambient temperature, the power unit can output higher currents close to nominal current even at lower ambient temperatures.

Depending on the setting of parameter p290 "Power unit overload response", the pulse frequency or the current will be reduced, or no response will occur if the alarm threshold is exceeded. An alarm (e.g. A07805 "Infeed: Power unit overload") is generated even if no response is desired.

The following quantities can result in a response to thermal overload:

- Heat-sink temperature (r0037.0)
- Chip temperature (r0037.1)
- Power unit overload I2T (r0036)

Possible measures to avoid thermal overload:

- Reduce the output current (closed-loop speed/velocity or torque/force control) or the output frequency (V/f control).
- Reduce the pulse frequency (only for closed-loop vector control).

Parameter r293 "Power unit alarm threshold model temperature" indicates the temperature alarm threshold for the difference between the chip and heat-sink temperatures.

11.9 Application: emergency stop with power failure and/or emergency stop (Servo)

If the power fails, a drive line-up normally responds with OFF2 even when a Control Supply Module is used in conjunction with a Braking Module (i.e. the connected motors coast down). The Control Supply Module provides the electronics with power via the supply system or DC link. In this way, controlled movements can be made if a power failure occurs provided that the DC link voltage is still available. The following section describes how all the drives carry out a quick stop (OFF3) if the power fails.

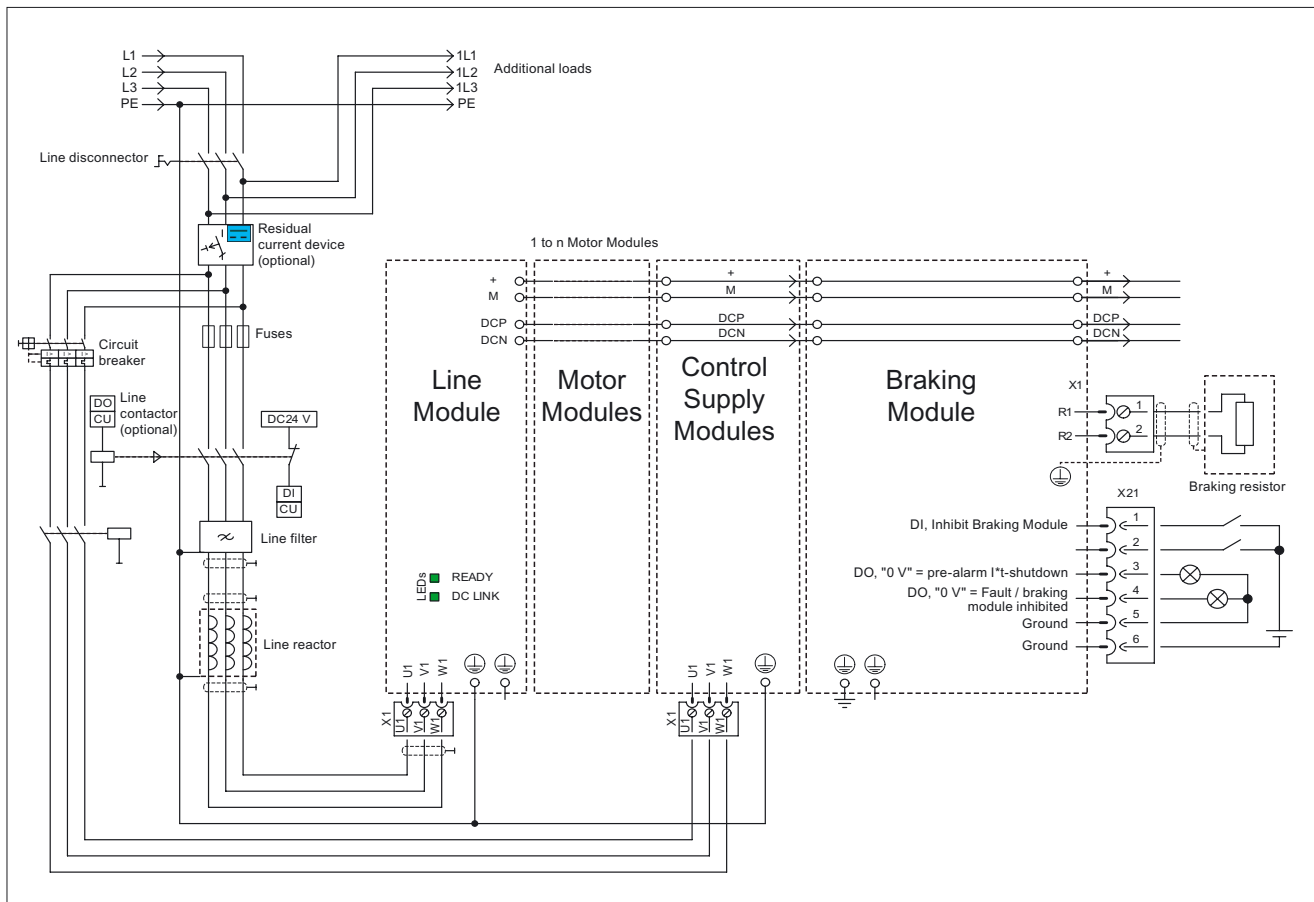


Figure 11-12 Example: interconnection of quick stop due to power failure or emergency off

In addition to the component wiring shown above, each drive object that is to carry out a quick stop if the power fails needs to be parameterized. If parameterization is not carried out, the drive coasts down once a DC link undervoltage has been identified (OFF2). To implement the OFF3 function (quick stop), the following parameters need to be set:

- p1240 = 5 (activates VDC_min monitoring)

As well as the DC link monitor, which is always active, this activates another variable alarm threshold, which should be set to a value above the undervoltage shutdown threshold of 360 V +/-2% in p1248.

- p1248 = Active Line Module <= 570 V, Smart Line Module <= 510 V

(alarm threshold in V). When this threshold is reached, fault 7403 is triggered. This threshold indicates that the set value has been undershot.

- p2100.0 = 7403

(number of the fault for which a response is to be defined.)

- p2101.0 = 3 (OFF3) response to the fault entered in p2100.0

Basic information about the drive system

12.1 Parameter

Parameter types

The following adjustable and display parameters are available:

- Adjustable parameters (write/read)

These parameters have a direct impact on the behavior of a function.
Example: Ramp-up and ramp-down time of a ramp-function generator
- Display parameters (read only)

These parameters are used to display internal variables.
Example: Current motor current

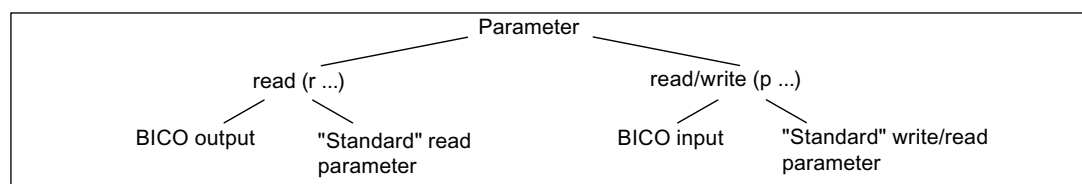


Figure 12-1 Parameter types

All these drive parameters can be read via PROFIBUS and changed by means of p parameters using the mechanisms defined in the PROFIdrive profile.

Parameter categories

The parameters of the individual drive objects are categorized into data sets as follows:

- Data-set-independent parameters

These parameters exist only once per drive object.
- Data-set-dependent parameters

These parameters can exist several times for each drive object and can be addressed via the parameter index for reading and writing. A distinction is made between various types of data set:

 - CDS: Command Data Set

By parameterizing several command data sets and switching between them, the drive can be operated with different pre-configured signal sources.
 - DDS: Drive Data Set

The drive data set contains the parameters for switching between different drive control configurations.

The CDS and DDS can be switched over during normal operation. Further types of data set also exist, however these can only be activated indirectly by means of a DDS changeover.

- EDS Encoder Data Set
- MDS Motor Data Set

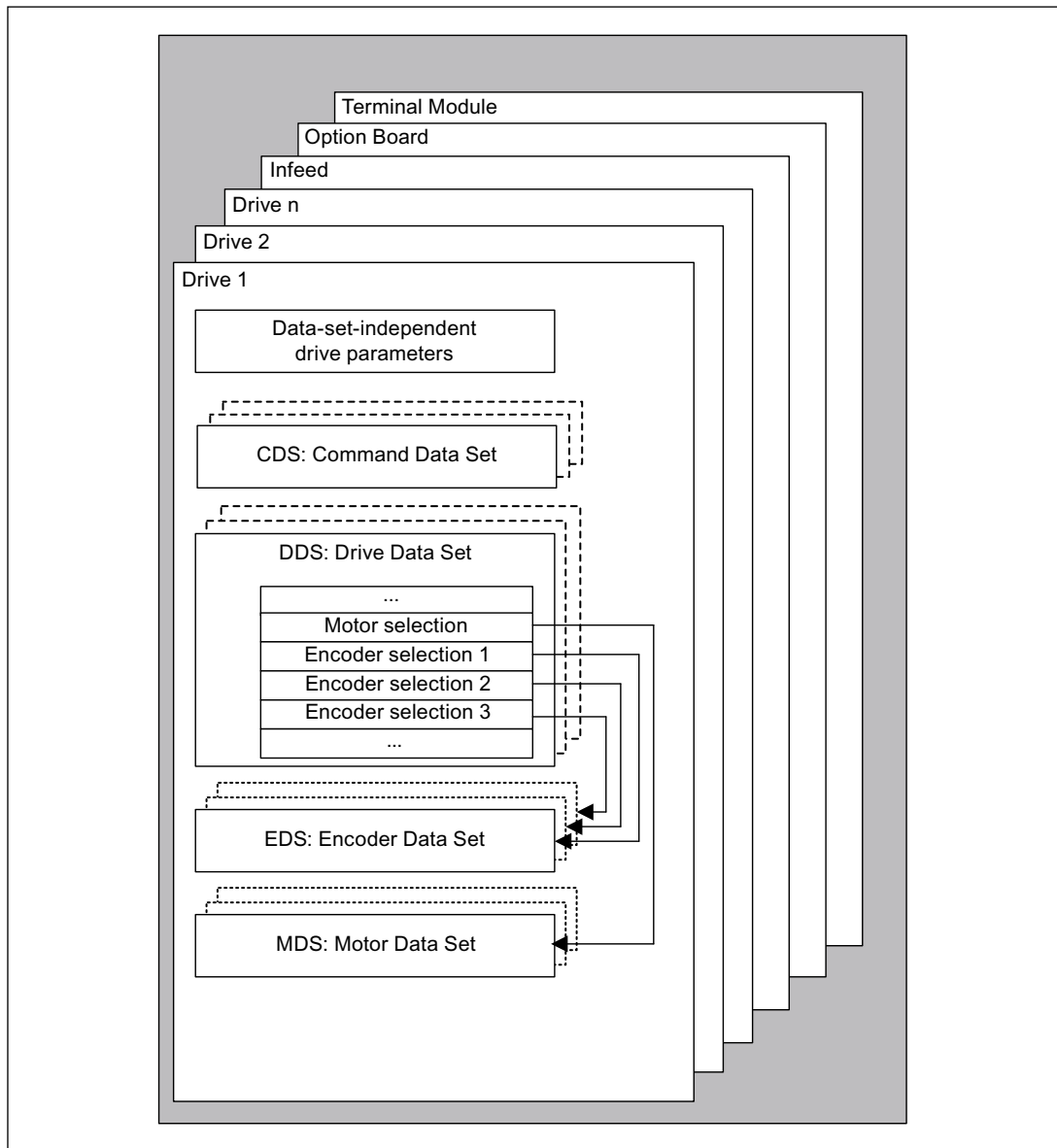


Figure 12-2 Parameter categories

Saving parameters in a non-volatile memory

The modified parameter values are stored in the volatile RAM. When the drive system is switched off, these data are lost.

The data must be saved retentively on the memory card, as described below, so that it is available the next time the drive is switched on.

- Save parameters - device and all drives
p0977 = 1; automatically reset to 0
- Save the parameters with STARTER
See "Copy RAM to ROM" function

Resetting parameters

The parameters can be reset to the factory setting as follows:

- Reset parameters - current drive object
p0970 = 1; automatically reset to 0
- Reset parameters - all parameters drive object "Control Unit"
p0009 = 30 parameter reset
p0976 = 1; automatically reset to 0

Access level

The parameters are subdivided into access levels. The SINAMICS S120/S150 List Manual specifies the access level in which the parameter is displayed and can be changed. The required access levels 0 to 4 can be set in p0003.

Table 12- 1 Access levels

Access level	Remark
0 User-defined	Parameters from the user-defined list (p0013)
1 Standard	Parameters for the simplest operator functions (e.g. p1120 = ramp-function generator ramp-up time).
2 Extended	Parameters to handle the basic functions of the device.
3 Expert	Expert knowledge is already required for this parameter (e.g. knowledge about BICO parameterization).
4 Service	Please contact your local Siemens office for the password for parameters with access level 4 (Service). It must be entered into p3950.

Note

Parameter p0003 is CU-specific (belongs to Control Unit).

12.2 Data sets

12.2.1 CDS: Command Data Set

CDS: Command Data Set

The BICO parameters (binector and connector inputs) are grouped together in a command data set. These parameters are used to interconnect the signal sources of a drive.

By parameterizing several command data sets and switching between them, the drive can be operated with different pre-configured signal sources.

A command data set contains the following (examples):

- Binector inputs for control commands (digital signals)
 - ON/OFF, enable signals (p0844, etc.)
 - Jog (p1055, etc.)
- Connector inputs for setpoints (analog signals)
 - Voltage setpoint for V/f control (p1330)
 - Torque limits and scaling factors (p1522, p1523, p1528, p1529)

A drive object can – depending on the type – manage up to 4 command data sets. The number of command data sets is configured with p0170.

The following parameters are available for selecting command data sets and for displaying currently selected command data sets - e.g. in the vector mode, the following parameters are available:

Binector inputs p0810 to p0811 are used to select a command data set. They represent the number of the command data set (0 to 3) in binary format (where p0811 is the most significant bit).

- p0810 BI: Command data set selection CDS bit 0
- p0811 BI: Command data set selection CDS bit 1

If a command data set that does not exist is selected, the current data set remains active. The selected data set is displayed using parameter (r0836).

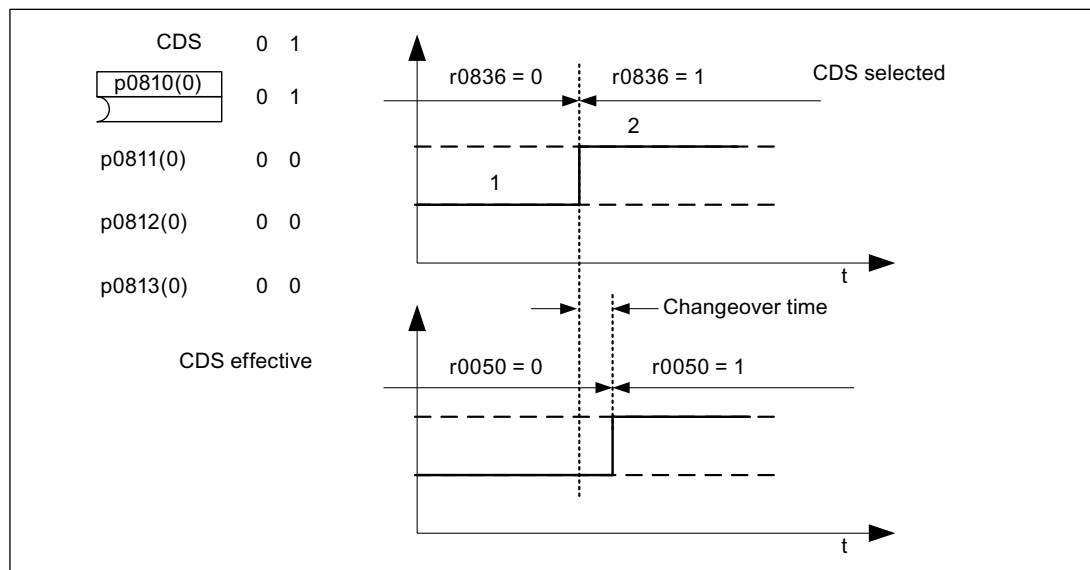
Example: Changeover between command data set 0 and 1

Figure 12-3 Switching the command data set (example)

12.2.2 DDS: Drive Data Set**DDS: Drive Data Set**

A drive data set contains various adjustable parameters that are relevant with respect to open and closed-loop drive control:

- Numbers of the assigned motor and encoder data sets:
 - p0186: assigned motor data set (MDS)
 - p0187 to p0189: up to 3 assigned encoder data sets (EDS)
- Various control parameters, e.g.:
 - Fixed speed setpoints (p1001 to p1015)
 - Speed limits min./max. (p1080, p1082)
 - Characteristic data of ramp-function generator (p1120 ff)
 - Characteristic data of controller (p1240 ff)
 - ...

The parameters that are grouped together in the drive data set are identified in the SINAMICS S List Manual by "Data Set DDS" and are assigned an index [0...n].

More than one drive data set can be parameterized. You can switch easily between different drive configurations (control type, motor, encoder) by selecting the corresponding drive data set.

One drive object can manage up to 32 drive data sets. The number of drive data sets is configured with p0180.

Binector inputs p0820 to p0824 are used to select a drive data set. They represent the number of the drive data set (0 to 31) in binary format (where p0824 is the most significant bit).

- p0820 BI: Drive data set selection DDS, bit 0
- p0821 BI: Drive data set selection DDS, bit 1
- p0822 BI: Drive data set selection DDS, bit 2
- p0823 BI: Drive data set selection DDS, bit 3
- p0824 BI: Drive data set selection DDS, bit 4

Supplementary conditions and recommendations

- Recommendation for the number of drive data sets for a drive
The number of drive data sets for a drive should correspond to the options for changeover. The following must therefore apply:
p0180 (DDS) \geq max. (p0120 (PDS), p0130 (MDS))
- Max. number of DDS for one drive object = 32 DDS

12.2.3 EDS: Encoder Data Set

EDS: Encoder Data Set

An encoder data set contains various adjustable parameters describing the connected encoder for the purpose of configuring the drive.

- Adjustable parameters, e.g.:
 - Encoder interface component number (p0141)
 - Encoder component number (p0142)
 - Encoder type selection (p0400)

The parameters that are grouped together in the encoder data set are identified in the parameter list by "Data Set EDS" and are assigned an index [0...n].

A separate encoder data set is required for each encoder controlled by the Control Unit. Up to 3 encoder data sets are assigned to a drive data set via parameters p0187, p0188, and p0189.

An encoder data set can only be changed over using a DDS changeover.

An encoder data set changeover without pulse inhibit (motor running under current) may only be performed on adjusted encoders (pollage ID performed or commutation angle determined for absolute encoders).

Each encoder may only be assigned to one drive and within a drive must - in each drive data set - either always be encoder 1, always encoder 2 or always encoder 3.

Using a power unit for the alternating operation of several motors would be an EDS changeover application. Contactors are changed over so that the power unit can be connected to the different motors. Each of the motors can be equipped with an encoder or can also be operated without an encoder. Each encoder must be connected to its own SMx.

If encoder 1 (p0187) is changed over via DDS, then an MDS must also be changed over.

One drive object can manage up to 16 encoder data sets. The number of encoder data sets configured is specified in p0140.

When a drive data set is selected, the assigned encoder data sets are also selected.

NOTICE**EDS in safety mode**

The encoders used for the safety function must not be changed when the data set is switched. When the data set is switched, the safety function checks the safety-relevant encoder data to see if it has changed. If it has changed, fault F=1670 is output with fault value 10, which results in a non-acknowledgeable STOP A.

The safety-relevant encoder in the different data sets must, therefore, be identical.

12.2.4 MDS: Motor Data Set

MDS: Motor Data Set

A motor data set contains various adjustable parameters describing the connected motor for the purpose of configuring the drive. It also contains certain display parameters with calculated data.

- Adjustable parameters, e.g.:
 - Motor component number (p0131)
 - Motor type selection (p0300)
 - Rated motor data (p0304 ff)
 - ...
- Display parameters, e.g.:
 - Calculated rated data (p0330 ff)
 - ...

The parameters that are grouped together in the motor data set are identified in the SINAMICS S120/S150 List Manual by "Data Set MDS" and are assigned an index [0...n].

A separate motor data set is required for each motor that is controlled by the Control Unit via a Motor Module. The motor data set is assigned to a drive data set via parameter p0186.

A motor data set can only be changed using a DDS changeover. The motor data set changeover is, for example, used for:

- Switching over different motors
- Switching over different windings in a motor (e.g. star-delta changeover)
- Adapting the motor data

If several motors are operated alternately on a Motor Module, a matching number of drive data sets must be created. For further information about motor changeover, see the "Motor changeover" section in the Function Manual.

One drive object can manage up to 16 motor data sets. The number of motor data sets in p0130 must not exceed the number of drive data sets in p0180.

For the 611U interface mode (p2038 = 1), the drive data sets are divided into groups of eight (1-8; 8-16;...). Within a group, the assignment to the motor data set must be identical:

p0186[0] = p0186[1] = ... = p0186[7]
 p0186[8] = p0186[9] = ... = p0186[15]
 p0186[16] = p0186[17] = ... = p0186[23]
 p0186[24] = p0186[25] = ... = p0186[31]

If this rule is not observed, alarm A07514 is output. If you need a precise representation of the data set structure of the 611U, 32 drive data sets and 4 motor data sets must be configured.

Examples for a data set assignment

Table 12-2 Example, data set assignment

DDS	Motor (p0186)	Encoder 1 (p0187)	Encoder 2 (p0188)	Encoder 3 (p0189)
DDS 0	MDS 0	EDS 0	EDS 1	EDS 2
DDS 1	MDS 0	EDS 0	EDS 3	-
DDS 2	MDS 0	EDS 0	EDS 4	EDS 5
DDS 3	MDS 1	EDS 6	-	-

12.2.5 Integration

Function diagrams (see SINAMICS S120/S150 List Manual)

- 8560 Command Data Sets (CDS)
- 8565 Drive Data Sets (DDS)
- 8570 Encoder Data Sets (EDS)
- 8575 Motor Data Sets (MDS)

Overview of important parameters (see SINAMICS S120/S150 List Manual)

Adjustable parameters

- p0120 Power unit data sets (PDS) number
- p0130 Motor data sets (MDS) number
- p0139 Copy motor data set (MDS)
- p0140 Encoder data sets (EDS) number
- p0170 Command data set (CDS) number
- p0180 Drive data sets (DDS) number
- p0186 Motor data set (MDS) number
- p0187 Encoder 1 encoder data set number
- p0188 Encoder 2 encoder data set number
- p0189 Encoder 3 encoder data set number
- p0809 Copy command data set (CDS)
- p0810 BI: Command data set selection CDS bit 0
- p0811 BI: Command data set selection CDS bit 1
- p0812 BI: Command data set selection CDS bit 2
- p0813 BI: Command data set selection CDS bit 3
- p0819[0...2] Copy drive data set DDS
- p0820 BI: Drive data set selection DDS, bit 0
- p0821 BI: Drive data set selection DDS, bit 1
- p0822 BI: Drive data set selection DDS, bit 2
- p0823 BI: Drive data set selection DDS, bit 3
- p0824 BI: Drive data set selection DDS, bit 4

12.3 Drive objects

A drive object is a self-contained software function with its own parameters and, if necessary, its own faults and alarms. Drive objects can be provided as standard (e.g. I/O evaluation), or you can add single (e.g. terminal board) or multiple objects (e.g. drive control).

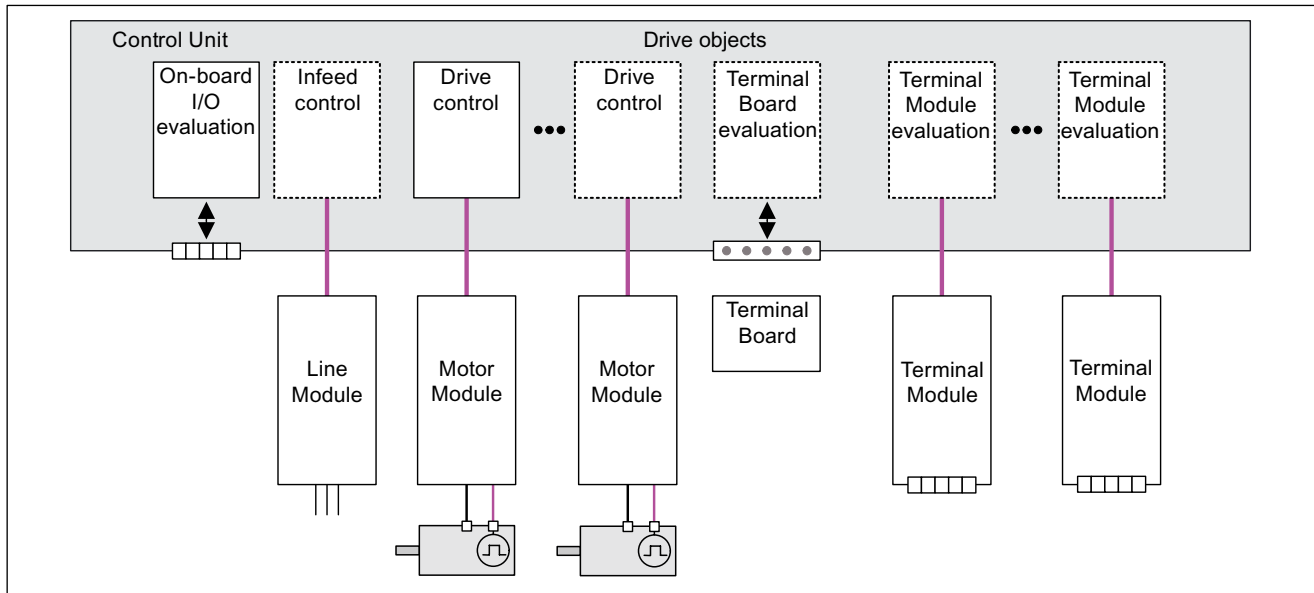


Figure 12-4 Drive objects

Overview of drive objects

- Drive control

The drive control handles closed-loop control of the motor. At least 1 Motor Module and at least 1 motor and up to 3 sensors are assigned to the drive control.

Various types of drive control can be configured (e.g. servo control, vector control, etc.).

Several drive controls can be configured, depending on the performance of the Control Unit and the demands made on the drive control system.

- Control Unit, inputs/outputs

The I/Os on the Control Unit are evaluated within a drive object. High-speed inputs for probes are processed here in addition to bidirectional digital I/Os.

- Properties of a drive object

- Separate parameter space
- Separate window in STARTER
- Separate fault/alarm system
- Separate PROFIdrive telegram for process data

- Supply: Line Module infeed control with DRIVE-CLiQ interface
If an Active Line Module with a DRIVE-CLiQ interface is used for the infeed in a drive system, open-loop/closed-loop control is implemented on the Control Unit within a corresponding drive object.
- Supply: Line Module infeed control with DRIVE-CLiQ interface
If a Line Module without a DRIVE-CLiQ interface is used for the infeed in a drive system, the Control Unit must handle activation and evaluation of the corresponding signals (RESET, READY).
- Option Board evaluation
A further drive object is responsible for evaluating an installed Option Board. The specific method of operation depends on the type of Option Board installed.
- Terminal Module evaluation
A separate drive object handles evaluation of the respective optional Terminal Modules.

Configuring drive objects

During first commissioning in STARTER, the drive objects processed by means of software in the Control Unit are created via configuration parameters. Various drive objects can be created within a Control Unit.

The drive objects are configurable function blocks and are used to execute specific drive functions.

If you need to configure additional drive objects or delete existing ones after first commissioning, the drive system must be switched to configuration mode.

The parameters of a drive object cannot be accessed until the drive object has been configured and you have switched from configuration mode to parameterization mode.

Note

Each installed drive object is allocated a number between 0 and 63 during first commissioning for unique identification.

Overview of important parameters (see SINAMICS S120/S150 List Manual)

Adjustable parameters

- p0101 Drive object numbers
- p0107 Drive object type
- p0108 Drive object configuration

Display parameters

- r0102 Number of drive objects

12.4 BICO technology: interconnecting signals

12.4.1 Description

Description

Every drive contains a large number of interconnectable input and output variables and internal control variables.

BICO technology (Binector Connector Technology) allows the drive to be adapted to a wide variety of conditions.

Digital and analog signals, which can be interconnected as required by means of BICO parameters, are identified by the prefix BI, BO, CI, or CO in their parameter name.

These parameters are identified accordingly in the parameter list or in the function diagrams.

Note

The STARTER parameterization and commissioning tool is recommended when using BICO technology.

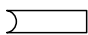
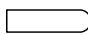
12.4.2 Binectors, connectors

Binectors, BI: Binector Input, BO: Binector Output

A binector is a digital (binary) signal without a unit which can assume the value 0 or 1.

Binectors are subdivided into binector inputs (signal sink) and binector outputs (signal source).

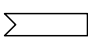
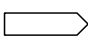
Table 12-3 Binectors

Abbreviation	Symbol	Name	Description
BI		Binector input (signal sink)	Can be interconnected to a binector output as source. The number of the binector output must be entered as a parameter value.
BO		Binector output (signal source)	Can be used as a source for a binector input.

Connectors, CI: Connector Input, CO: Connector Output

A connector is a digital signal, e.g. in 32-bit format. It can be used to emulate words (16 bits), double words (32 bits) or analog signals. Connectors are subdivided into connector inputs (signal sink) and connector outputs (signal source).

Table 12- 4 Connectors

Abbreviation	Symbol	Name	Description
CI		Connector input (signal sink)	Can be interconnected to a connector output as source. The number of the connector output must be entered as a parameter value.
CO		Connector output (signal source)	Can be used as a source for a connector input.

12.4.3 Interconnecting signals using BICO technology

To interconnect two signals, a BICO input parameter (signal sink) must be assigned to the required BICO output parameter (signal source).

The following information is required for connecting a binector/connector input to a binector/connector output:

- Binectors: Parameter number, bit number, and drive object ID
- Connectors with no index: Parameter number and drive object ID
- Connectors with index: Parameter number, index, and drive object ID
- Data type (signal source for connector output parameter)

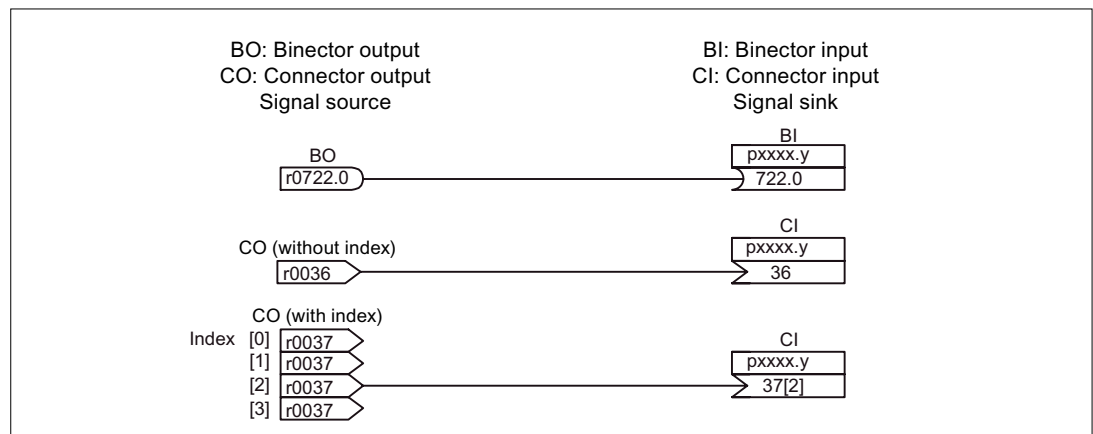


Figure 12-5 Interconnecting signals using BICO technology

Note

A connector input (CI) cannot be interconnected with any connector output (CO, signal source). The same applies to the binector input (BI) and binector output (BO).
 For each CI and BI parameter, the parameter list shows under "data type" the information on the data type of the parameter and the data type of the BICO parameter.
 For CO parameters and BO parameters, only the data type of the BICO parameter is shown.

Notation:

Data types BICO input: Data type parameter / Data type BICO parameter

Example: Unsigned32 / Integer16

Data types BICO output: Data type BICO parameter

Example: FloatingPoint32

The possible interconnections between the BICO input (signal sink) and the BICO output (signal source) are listed in the following documents:

References: SINAMICS S120/S150 List Manual,
 section "Explanation of list of parameters" in table "Possible combinations for BICO interconnections".

The BICO parameter interconnection can be implemented in different command data sets (CDS). The different interconnections are activated by switching data sets. Interconnections across drive objects are also possible.

12.4.4 Internal encoding of the binector/connector output parameters

The internal codes are required for writing BICO input parameters via PROFIBUS, for example.

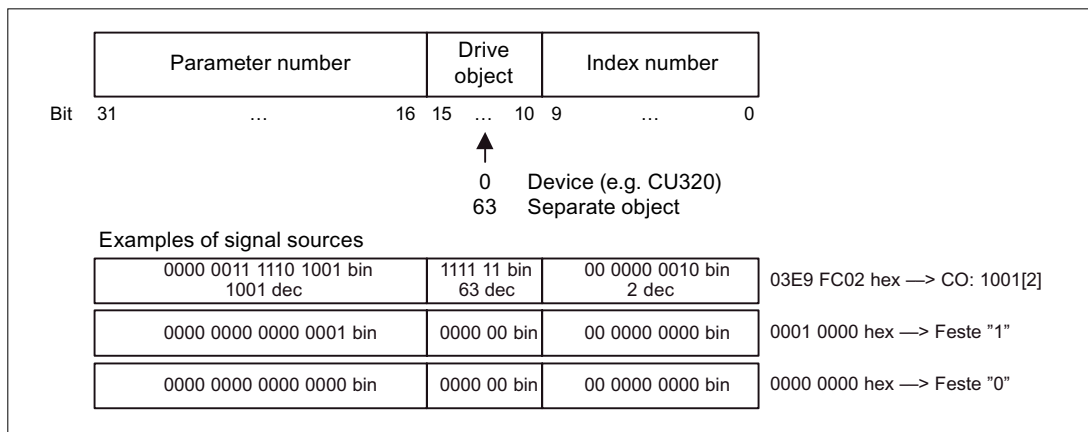


Figure 12-6 Internal encoding of the binector/connector output parameters

12.4.5 Sample interconnections

Example 1: Interconnection of digital signals

Suppose you want to operate a drive via terminals DI 0 and DI 1 on the Control Unit using jog 1 and jog 2.

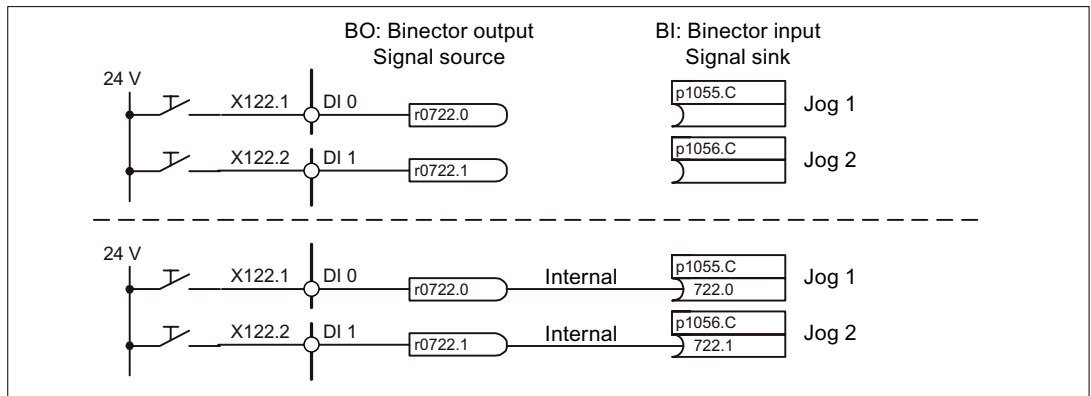


Figure 12-7 Interconnection of digital signals (example)

Example 2: connection of OC/OFF3 to several drives

The OFF3 signal is to be connected to two drives via terminal DI 2 on the Control Unit.

Each drive has a binector input 1. OFF3 and 2. OFF3. The two signals are processed via an AND gate to STW1.2 (OFF3).

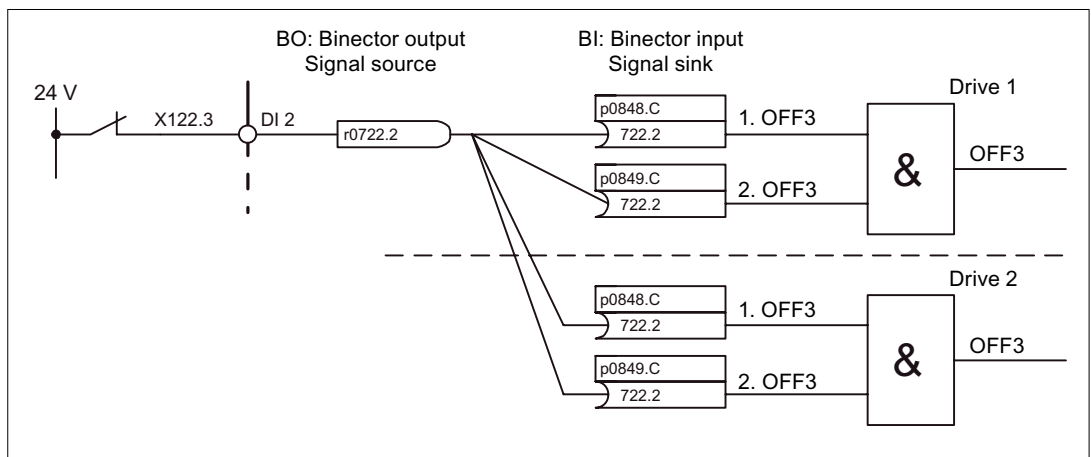


Figure 12-8 Connection of OFF3 to several drives (example)

12.4.6 BICO technology:

BICO interconnections to other drives

The following parameters are available for BICO interconnections to other drives:

- r9490 Number of BICO interconnections to other drives
- r9491[0...15] BI/CI of BICO interconnections to other drives
- r9492[0...15] BO/CO of BICO interconnections to other drives
- p9493[0...15] Reset BICO interconnections to other drives

Copying drives

When a drive is copied, the interconnection is copied with it.

Binector-connector converters and connector-binector converters

Binector-connector converter

- Several digital signals are converted to a 32-bit integer double word or to a 16-bit integer word.
- p2080[0...15] BI: PROFIdrive PZD send bit-serial

Connector-binector converter

- A 32-bit integer double word or a 16-bit integer word is converted to individual digital signals.
- p2099[0...1] CI: PROFIdrive PZD selection receive bit-serial

Fixed values for interconnection using BICO technology

The following connector outputs are available for interconnecting any fixed value settings:

- p2900[0...n] CO: Fixed value_%_1
- p2901[0...n] CO: Fixed value_%_2
- p2930[0...n] CO: Fixed value_M_1

Example:

These parameters can be used to interconnect the scaling factor for the main setpoint or to interconnect an additional torque.

12.4.7 Scaling

Signals for the analog outputs

Table 12- 5 List of signals for analog outputs

Signal	Parameter	Unit	Normalization (100 % = ...)
Speed setpoint before the setpoint filter	r0060	RPM	p2000
Speed actual value motor encoder	r0061	RPM	p2000
Speed actual value	r0063	RPM	p2000
Drive output frequency	r0066	Hz	Reference frequency
Absolute current actual value	r0068	Aeff	p2002
Actual DC link voltage value	r0070	V	p2001
Total torque setpoint	r0079	Nm	p2003
Actual active power	r0082	kW	r2004
Control deviation	r0064	RPM	p2000
Modulation depth	r0074	%	Reference modulation depth
Current setpoint, torque-generating	r0077	A	p2002
Current actual value, torque-generating	r0078	A	p2002
Flux setpoint	r0083	%	Reference flux
Flux actual value	r0084	%	Reference flux
Speed controller PI torque output	r1480	Nm	p2003
Speed controller I torque output	r1482	Nm	p2003

Changing scaling parameters p2000 to p2007

CAUTION
If a referenced form is selected and the reference parameters (e.g. p2000) are changed retrospectively, the referenced values of some of the control parameters are also adjusted to ensure that the control behavior is unaffected.

12.5 Inputs/outputs

12.5.1 Overview of inputs/outputs

The following digital/analog inputs/outputs are available:

Table 12- 6 Overview of inputs/outputs

Component	Digital			Analog	
	Inputs	Bidirectional inputs/outputs	Outputs	Inputs	Outputs
CU310	4 ¹⁾	4 ³⁾	-	-	-
CU320	8 ¹⁾	8 ²⁾	-	-	-
TB30	4	-	4	2	2
TM15	-	24	-	-	-
TM31	8	4	-	2	2
	Relay outputs: 2 Temperature sensor input: 1				
TM41	4	4	-	1	-
	Incremental encoder emulation: 1 (see also the Function Manual)				
1) Variable: floating or non-floating 2) 6 of these are "high-speed inputs" 3) 3 of these are "high-speed inputs"					

Note

For detailed information about the hardware properties of I/Os, please refer to document: /GH1/ SINAMICS S120 Equipment Manual Control Units

For detailed information about the structural relationships between all I/Os of a component and their parameters, please refer to the function diagrams in document: /LH1/ SINAMICS S120/S150 List Manual.

12.5.2 Digital inputs/outputs

Digital inputs

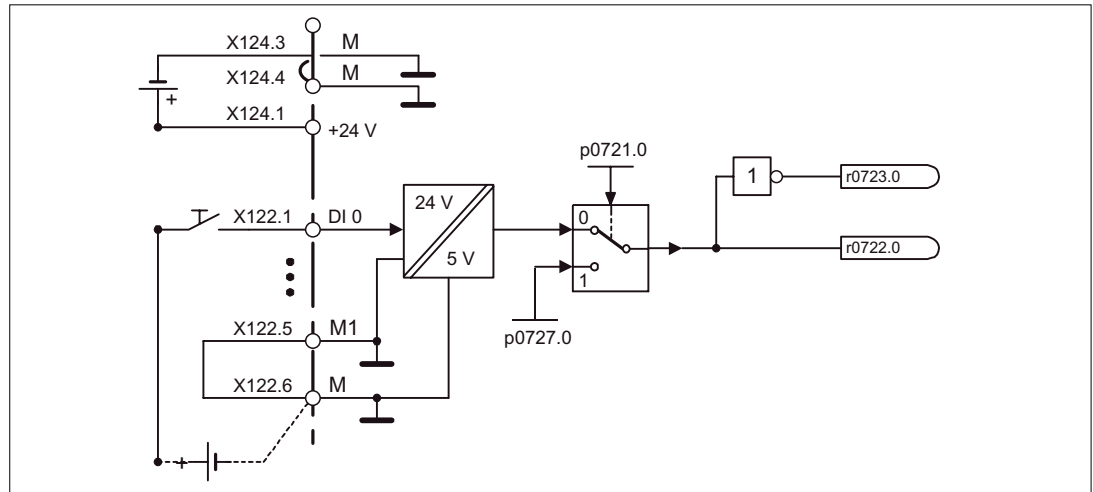


Figure 12-9 Digital inputs: signal processing using DI 0 of CU320 as an example

Properties

- The digital inputs are "high active".
- An open input is interpreted as "low".
- Fixed debouncing setting
Delay time = 1 to 2 current controller cycles (p0115[0])
- Availability of the input signal for further interconnection
 - inverted and not inverted as a binector output
 - as a connector output
- Simulation mode settable and parameterizable.
- CU320: Isolation block by block, set by jumper.
 - Jumper open: electrically isolated.
The digital inputs function only if a reference ground is connected.
 - Jumper closed, non-floating.
The reference potential of the digital inputs is the ground of the Control Unit.
- Sampling time for digital inputs/outputs adjustable on CU320 (p0799)

Function diagrams (see SINAMICS S List Manual)

- 2020 Digital inputs, electrically isolated (DI 0 ... DI 3)
- 2120 Digital inputs, electrically isolated (DI 0 ... DI 3)
- 2121 Digital inputs, electrically isolated (DI 4 ... DI 7)

- 9100 Digital inputs, electrically isolated (DI 0 ... DI 3)
- 9400 Digital inputs/outputs, bidirectional (DI 0 ... DI 7)
- 9401 Digital inputs/outputs, bidirectional (DI 8 ... DI 15)
- 9402 Digital inputs/outputs, bidirectional (DI 16 ... DI 23)
- 9550 Digital inputs, electrically isolated (DI 0 ... DI 3)
- 9552 Digital inputs, electrically isolated (DI 4 ... DI 7)
- 9660 Digital inputs, electrically isolated (DI 0 ... DI 3)

Digital outputs

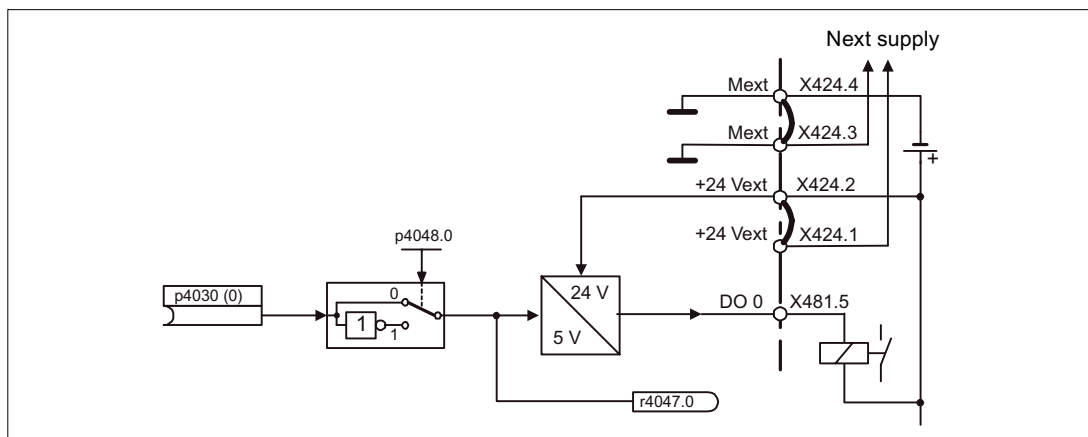


Figure 12-10 Digital outputs: signal processing using DO 0 of TB30 as an example

Properties

- Separate power supply for the digital outputs.
- Source of output signal can be selected by parameter.
- Signal can be inverted by parameter.
- Status of output signal can be displayed
 - as a binector output
 - as a connector output

Note

Before the digital outputs can function, their own electronics power supply must be connected.

Function diagrams (see SINAMICS S List Manual)

- 9102 Electrically isolated digital outputs (DO 0 to DO 3)
- 9556 Digital relay outputs, electrically isolated (DO 0 and DO 1)

Bidirectional digital inputs/outputs

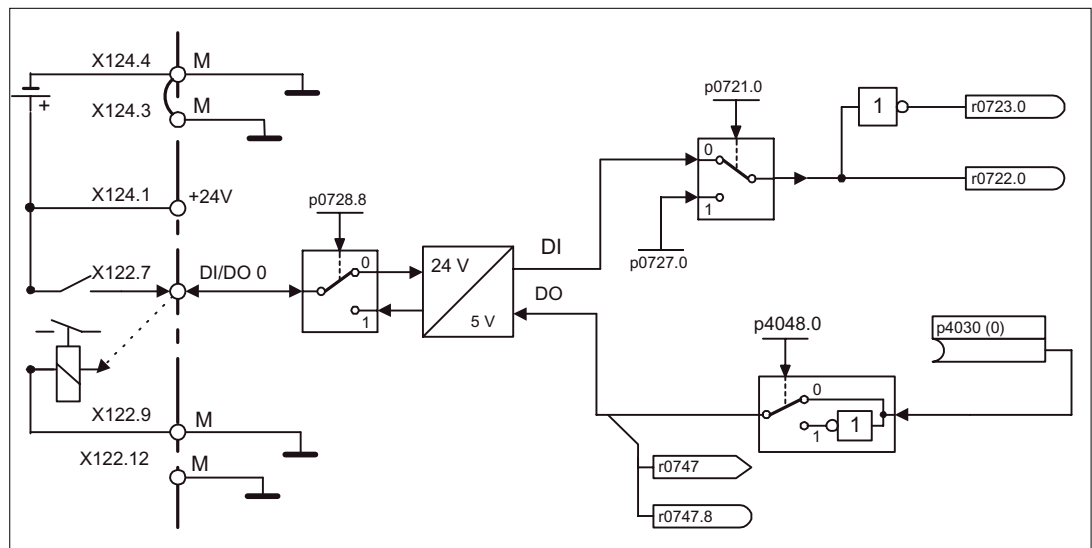


Figure 12-11 Bidirectional inputs/outputs: signal processing using DI/DO 0 of CU320 as an example

Properties

- Can be parameterized as digital input or output.
- When set as digital input:
 - Six "high-speed inputs" on Control Unit 320
 - If these inputs are used, for example, for the "flying measurement" function, they act as "high-speed inputs" with virtually no time delay when the actual value is saved.
 - The properties of the "pure" digital outputs apply.
- When set as digital output:
 - The properties of the "pure" digital outputs apply.
- Sharing of bidirectional input/output resources by the CU and higher-level control (see section "Use of bidirectional inputs/outputs on the CU")

Function diagrams (see SINAMICS S120/S150 List Manual)

- 2030 Bidirectional digital inputs/outputs (DI/DO 8 ... DI/DO 9)
- 2031 Bidirectional digital inputs/outputs (DI/DO 10 ... DI/DO 11)
- 2130 Bidirectional digital inputs/outputs (DI/DO 8 and DI/DO 9)
- 2131 Bidirectional digital inputs/outputs (DI/DO 10 and DI/DO 11)
- 2132 Bidirectional digital inputs/outputs (DI/DO 12 and DI/DO 13)
- 2133 Bidirectional digital inputs/outputs (DI/DO 14 and DI/DO 5)
- 9400 Bidirectional digital inputs/outputs (DI/DO 0 ... DI/DO 7)
- 9401 Bidirectional digital inputs/outputs (DI/DO 8 ... DI/DO 15)

- 9402 Bidirectional digital inputs/outputs (DI/DO 16 ... DI/DO 23)
- 9560 Bidirectional digital inputs/outputs (DI/DO8 and DI/DO 9)
- 9562 Bidirectional digital inputs/outputs (DI/DO 10 and DI/DO 1)
- 9661 Bidirectional digital inputs/outputs (DI/DO 0 and DI/DO 1)
- 662 Bidirectional digital inputs/outputs (DI/DO 2 and DI/DO 3)

12.5.3 Use of bidirectional inputs/outputs on the CU

Description

The bidirectional inputs/outputs on terminals X122 and X132 on the CU (DO1) can be used by a drive DO as well as a higher-level control (resource sharing). The assignment to a terminal is defined by means of BICO interconnections, which are either connected to a control by DO1 telegram p0922 = 39x and to a drive DO.

The setting of parameter p0729 indicates how a digital output has been assigned to a drive CU, i.e. whether the output of an onboard terminal X122 or X132 is assigned directly to the CU or connected via PROFIBUS to a higher-level control.

- r0729 = 0: Output is assigned to the drive CU or terminal output is not available.
- r0729 = 1: Output is assigned to the higher-level control (PROFIBUS connection). Assignment to the control means:
 - Terminal is parameterized as output x (p0728.x =1) and
 - Terminal is BICO-connected with p2901, i.e. the control uses the output in conjunction with the DO1 telegram (p0922 = 39x) as standard
 - Use of the terminal's output signal for integrated platform via high-speed bypass channel of the control (standard channel with DO1 telegram is always written in parallel).

Parameter r0729 is updated if

- the direction of the onboard terminals changes (p0728)
- the signal sources for the outputs (p0738ff) are changed.

Access priorities

- Reconfiguration output control --> output drive via parameter p738ff
The drive output has higher priority than a standard control output using the DO1 telegram, but direct access by the control to the terminal (bypass) has higher priority than the drive output.
When the output is reconfigured to the drive, the control needs to cancel a bypass to the terminals (if one has been set up) before the new configuration can take effect.
- Reconfiguration input drive --> output control
The output of the control has higher priority. This is the specified behavior.
The drive is notified of the change so that the affected application can issue an alarm.
- Reconfiguration output drive --> output control
The output of the control has higher priority.

This is the specified behavior.

The drive is notified of the change so that the affected application can issue an alarm/fault message if necessary. Readback of the output information can cause problems in the drive, i.e. the drive application checks the interconnection condition of "its" terminals. If the terminal remains assigned to a drive I/O device as required by the drive function, but is assigned simultaneously a control terminal status, the drive function cannot be guaranteed to work correctly.

Fault reaction to control failure

The onboard I/Os assigned to the control are switched to the safe state in response to a fault.

This also applies to terminals whose signals are transferred via the bypass channel on the control. This status is signaled by failure of the DO1 telegram (sign-of-life failure).

12.5.4 Analog inputs

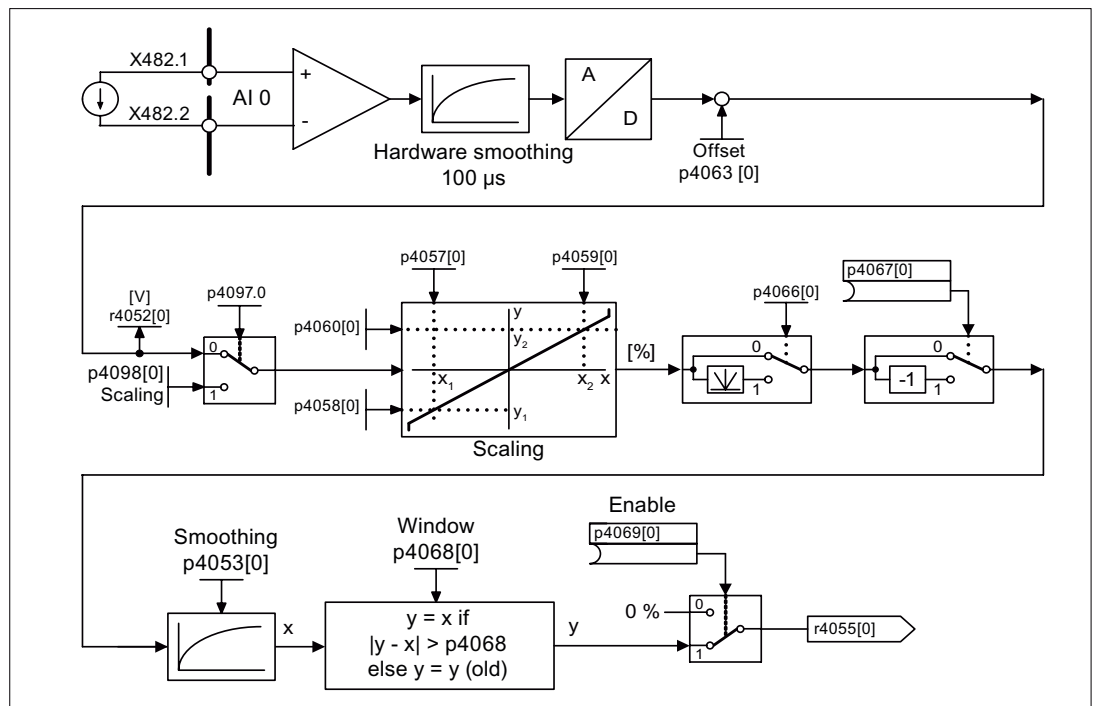


Figure 12-12 Analog inputs: Signal processing using AI0 of the TB30

Properties

- Hardware input filter set permanently
- Simulation mode parameterizable
- Adjustable offset
- Signal can be inverted via binector input
- Adjustable absolute-value generation

- Noise suppression (p4068)
- Enabling of inputs via binector input
- Output signal available via connector output
- Skalierung
- Smoothing

NOTICE

Parameters p4057 to p4060 of the scaling do not limit the voltage values/current values (for TM31, the input can be used as current input).

Function diagrams (see SINAMICS S List Manual)

- 9104 Analog inputs (AI 0 and AI 1)
- 9566 Analog input 0 (AI 0)
- 9568 Analog input 1 (AI 1)
- 9663 Analog input (AI 0)

12.5.5 Analog outputs

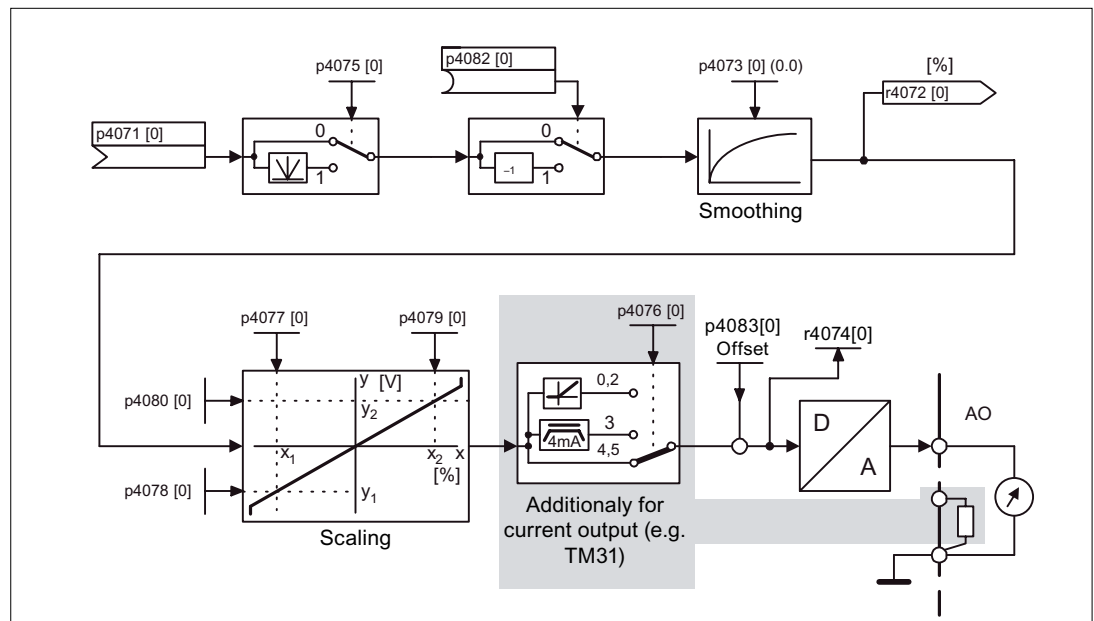


Figure 12-13 Analog outputs: Signal processing using AO 0 of TB30/TM31 as an example

Properties

- Adjustable absolute-value generation
- Inversion via binector input
- Adjustable smoothing
- Adjustable transfer characteristic
- Output signal can be displayed via visualization parameter

NOTICE

Parameters p4077 to p4080 of the scaling do not limit the voltage values/current values (for TM31, the input can be used as current input).

Function diagrams (see SINAMICS S List Manual)

- 9106 Analog outputs (AO 0 and AO 1)
- 9572 Analog outputs (AO 0 and AO 1)

12.6 Parameterizing using the BOP20 (Basic Operator Panel 20)

12.6.1 General information about the BOP20

With the BOP20, drives can be powered-up and powered-down during the commissioning phase and parameters can be displayed and modified. Faults can be diagnosed as well as acknowledged.

The BOP20 is snapped onto the Control Unit; to do this the dummy cover must be removed (for additional information on mounting, please refer to the Equipment Manual).

Overview of displays and keys

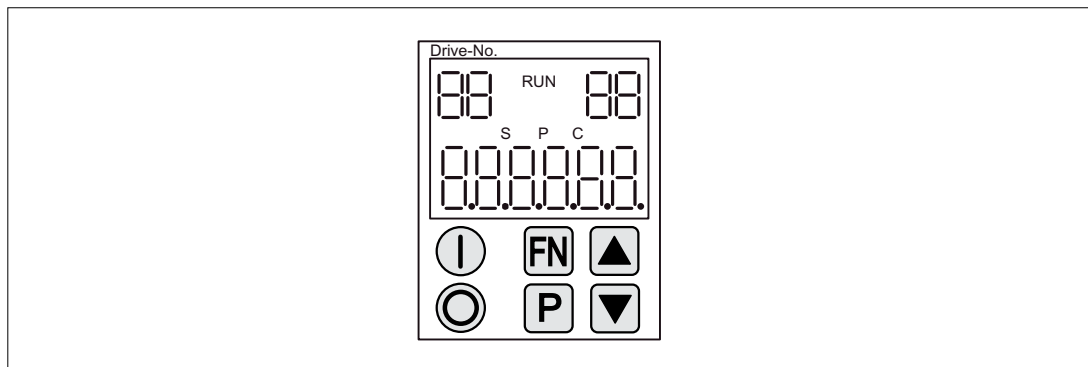


Figure 12-14 Overview of displays and keys

Information on the displays







Table 12- 7 LED

Display	Meaning
top left 2 positions	The active drive object of the BOP is displayed here. The displays and key operations always refer to this drive object.
RUN	Lit if at least one drive in the drive line-up is in the RUN state (in operation). RUN is also displayed via bit r0899.2 of the drive.
top right 2 positions	The following is displayed in this field: <ul style="list-style-type: none"> • More than 6 digits: Characters that are still present but are invisible (e.g. "r2" → 2 characters to the right are invisible, "L1" → 1 character to the left is invisible) • Faults: Selects/displays other drives with faults • Designation of BICO inputs (bi, ci) • Designation of BICO outputs (bo, co) • Source object of a BICO interconnection to a drive object different than the active one.
S	Is (bright) if at least one parameter was changed and the value was not transferred into the non-volatile memory.
P	Is lit (bright) if, for a parameter, the value only becomes effective after pressing the P key.

Display	Meaning
C	Is light (bright) if at least one parameter was changed and the calculation for consistent data management has still not been initiated.
Below, 6 digit	Displays, e.g. parameters, indices, faults and alarms.

Information on the keys

Table 12- 8 Keys

Key	Name	Meaning
	ON	Power-up the drives for which the command "ON/OFF1" should come from the BOP. Binector output r0019.0 is set using this key.
	OFF	Powering-down the drives for which the commands "ON/OFF1", "OFF2" or "OFF3" should come from the BOP. The binector outputs r0019.0, .1 and .2 are simultaneously reset when this key is pressed. After the key has been released, binector outputs r0019.1 and .2 are again set to a "1" signal. Note: The effectiveness of these keys can be defined by appropriately parameterizing the BICO (e.g. using these keys it is possible to simultaneously control all of the existing drives).
	Functions	The significance of these keys depends on the actual display. Note: The effectiveness of this key to acknowledge faults can be defined using the appropriate BiCo parameterization.
	Parameters	The significance of these keys depends on the actual display. If this key is pressed for 3 s, the "Copy RAM to ROM" function is executed. The "S" displayed on the BOP disappears.
	Raise	The keys depend on the current display and are used to either raise or lower values.
	Lower	

BOP20 functions

Table 12- 9 Functions

Name	Description
Backlighting	The backlighting can be set using p0007 in such a way that it switches itself off automatically after the set time if no actions are carried out.
Changeover active drive	From the BOP perspective the active drive is defined using p0008 or using the keys "FN" and "Arrow up".
Units	The units are not displayed on the BOP.
Access level	The access level for the BOP is defined using p0003. The higher the access level, the more parameters can be selected using the BOP.
Parameter filter	Using the parameter filter in p0004, the available parameters can be filtered corresponding to their particular function.
Selecting the operating display	Actual values and setpoints are displayed on the operating display. The operating display can be set using p0006.
User parameter list	Using the user parameter list in p0013, parameters can be selected for access.

Name	Description
Unplug while voltage is present	The BOP can be withdrawn and inserted under voltage. <ul style="list-style-type: none">The ON and OFF keys have a function. When withdrawing, the drives are stopped. Once the BOP has been inserted, the drives must be switched on again.ON and OFF keys have no function Withdrawing and inserting has no effect on the drives.
Actuating keys	The following applies to the "P" and "FN" keys: <ul style="list-style-type: none">When used in a combination with another key, "P" or "FN" must be pressed first and then the other key.

Overview of important parameters (refer to the SINAMICS S120/S150 List Manual)

All drive objects

- p0005 BOP operating display selection
- p0006 BOP operating display mode
- p0013 BOP user-defined list
- p0971 Drive object, save parameters

Drive object, Control Unit

- r0002 Control Unit status display
- p0003 BOP access level
- p0004 BOP display filter
- p0007 BOP background lighting
- p0008 BOP drive object selection
- p0009 Device commissioning, parameter filter
- p0011 BOP password input (p0013)
- p0012 BOP password confirmation (p0013)
- r0019 CO/BO: Control word, BOP
- p0977 Save all parameters

Other drive objects (e.g. SERVO, VEKTOR, INFEED, TM41 etc.)

- p0010 Commissioning parameter filter

12.6.2 Displays and using the BOP20

Features

- Operating display
- Changing the active drive object
- Displaying/changing parameters
- Displaying/acknowledging faults and alarms
- Controlling the drive using the BOP20

Operating display

The operating display for each drive object can be set using p0005 and p0006. Using the operating display, you can change into the parameter display or to another drive object. The following functions are possible:

- Changing the active drive object
 - Press key "FN" and "Arrow up" -> the drive object number at the top left flashes
 - Select the required drive object using the arrow keys
 - Acknowledge using the "P" key
- Parameter display
 - Press the "P" key.
 - The required parameters can be selected using the arrow keys.
 - Press the "FN" key -> parameter r0000 is displayed
 - Press the "P" key -> changes back to the operating display

Parameter display

The parameters are selected in the BOP20 using the number. The parameter display is reached from the operating display by pressing the "P" key. Parameters can be searched for using the arrow keys. The parameter value is displayed by pressing the "P" key again. You can toggle between the drive objects by simultaneously pressing the keys "FN" and the arrow keys. You can toggle between r0000 and the parameter that was last displayed by pressing the "FN" key in the parameter display.

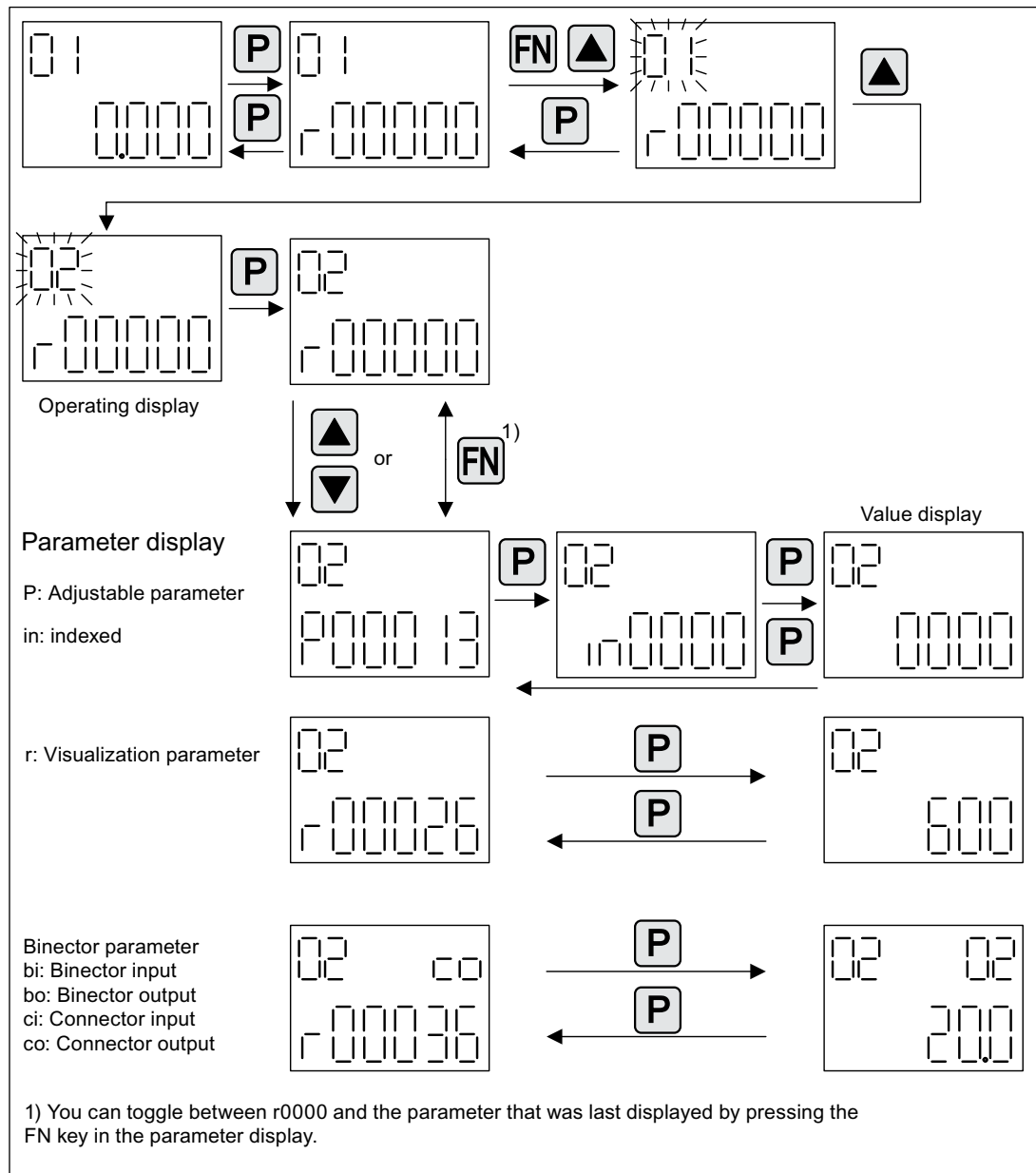


Figure 12-15 Parameter display

Value display

To switch from the parameter display to the value display, press the "P" key. In the value display, the values of the adjustable parameters can be increased and decreased using the arrow. The cursor can be selected using the "FN" key.

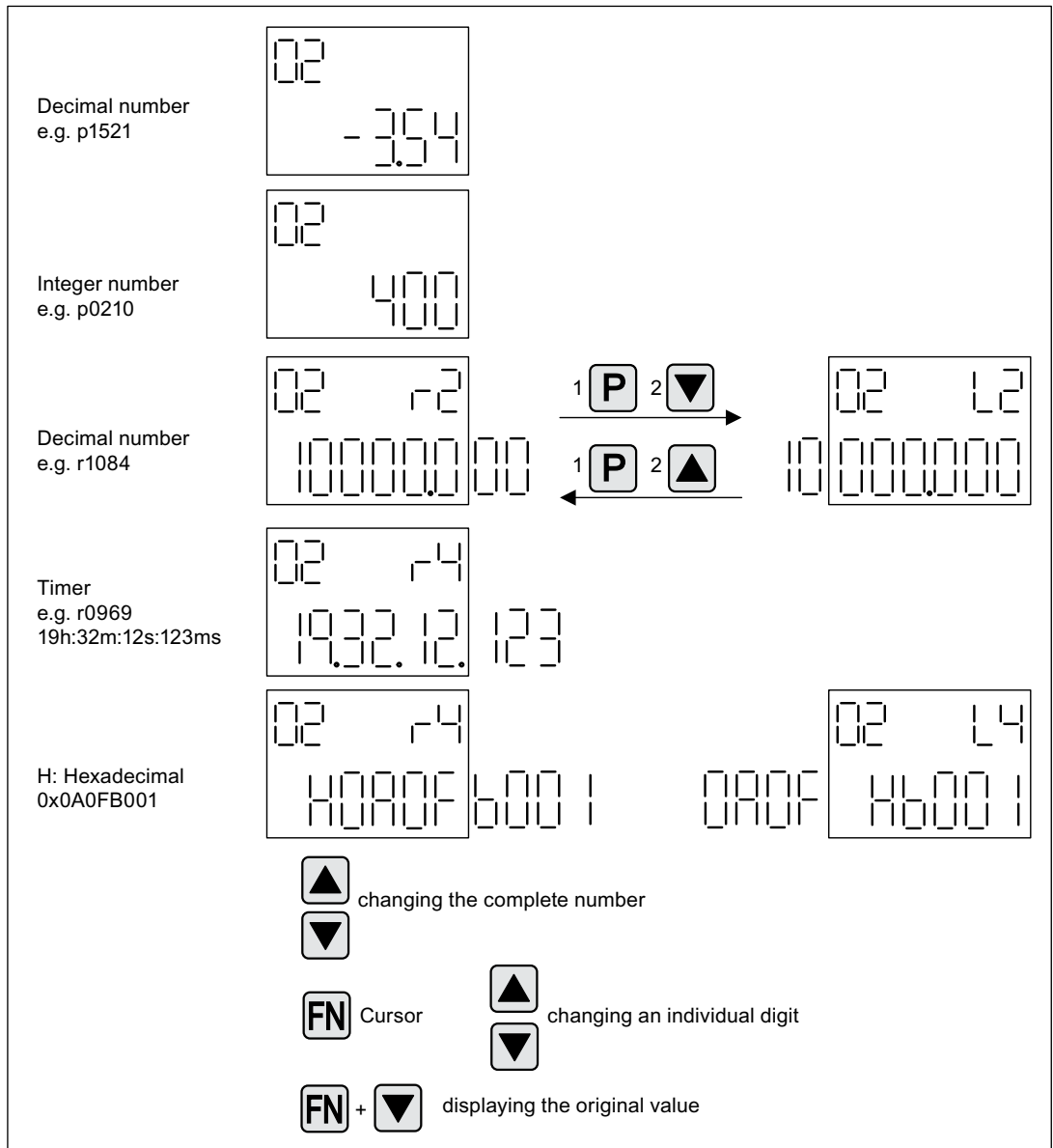


Figure 12-16 Value display

Example: Changing a parameter

Precondition: The appropriate access level is set (for this particular example, p0003 = 3).

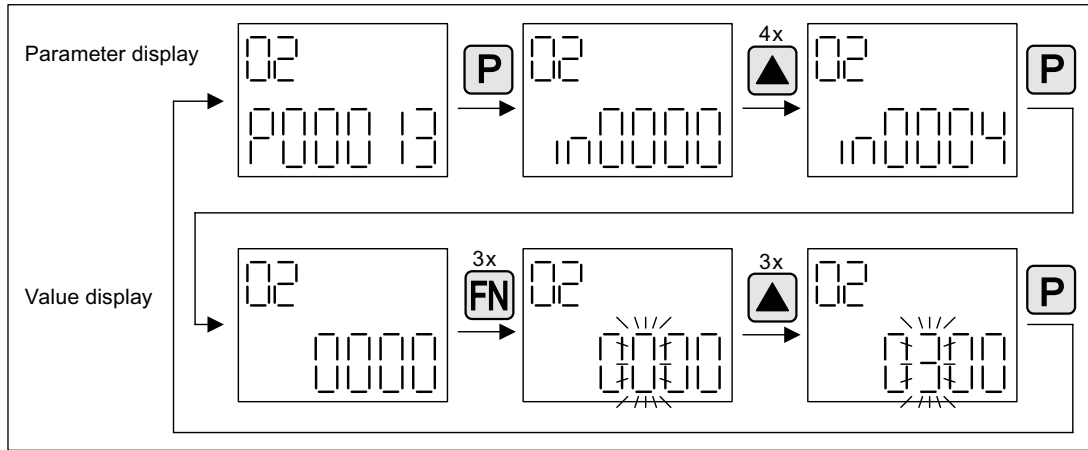


Figure 12-17 Example: Changing p0013[4] from 0 to 300

Example: Changing binector and connector input parameters

For the binector input p0840[0] (OFF1) of drive object 2 binector output r0019.0 of the Control Unit (drive object 1) is interconnected.

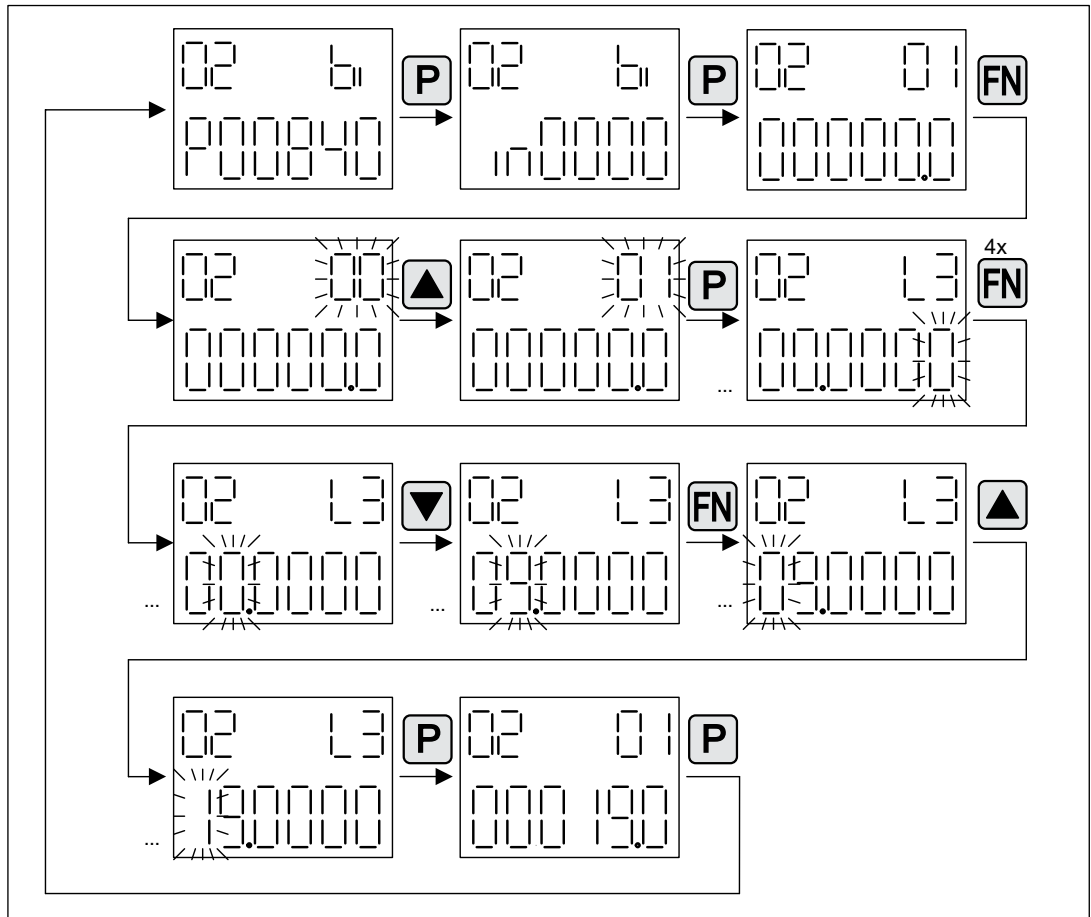


Figure 12-18 Example: Changing indexed binector parameters

12.6.3 Fault and alarm displays

Displaying faults

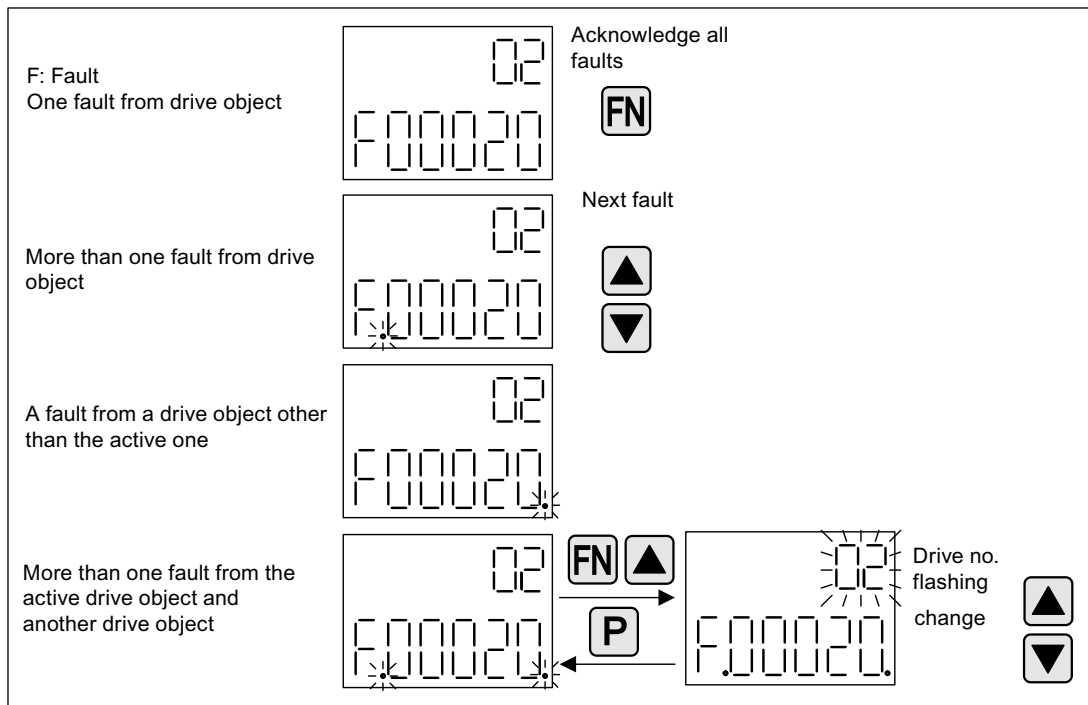


Figure 12-19 Faults

Displaying alarms

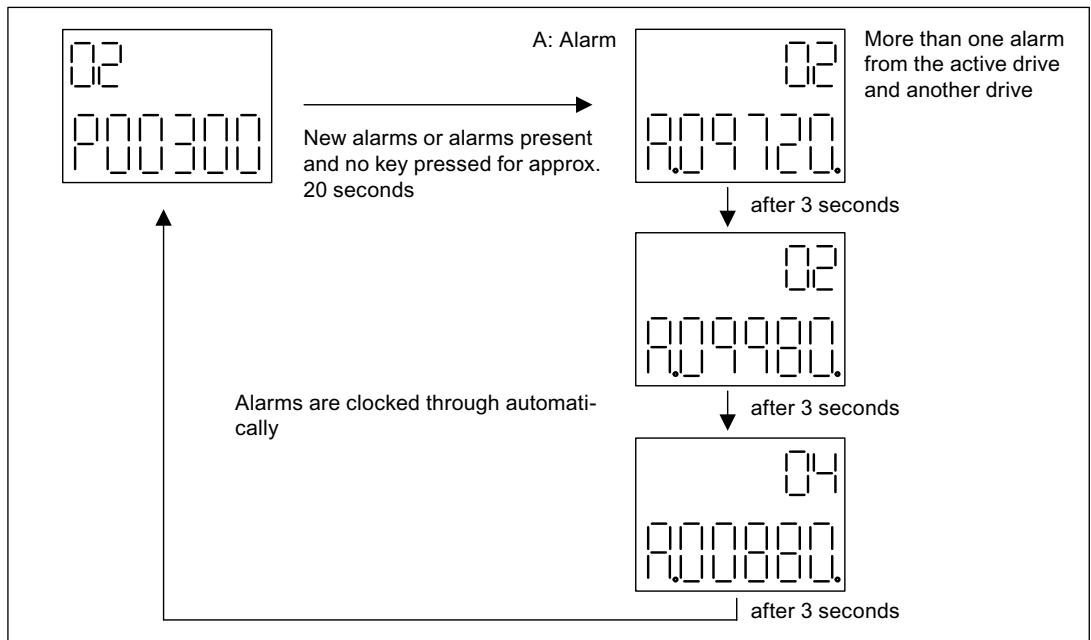


Figure 12-20 Alarms

12.6.4 Controlling the drive using the BOP20

Description

When commissioning the drive, it can be controlled via the BOP20. A control word is available on the Control Unit drive object (r0019) for this purpose, which can be interconnected with the appropriate binector inputs of e.g. the drive.

The interconnections do not function if a standard PROFIdrive telegram was selected as its interconnection cannot be disconnected.

Table 12- 10 BOP20 control word

Bit (r0019)	Name	Example, interconnection parameters
0	ON / OFF (OFF1)	p0840
1	No coast down/coast down (OFF2)	p0844
2	No fast stop/fast stop (OFF3)	p0848
Note: For simple commissioning, only bit 0 should be interconnected. When interconnecting bits 0 ... 2, then the system is powered-down according to the following priority: OFF2, OFF3, OFF1.		
7	Acknowledge fault (0 -> 1)	p2102
13	Motorized potentiometer, raise	p1035
14	Motorized potentiometer, lower	p1036

12.7 Examples of replacing components

Note

To ensure that the entire functionality of a firmware version can be used, it is recommended that all the components in a drive line-up have the same firmware version.

Description

If the type of comparison is set to the highest setting, the following examples apply.

A distinction is made between the following scenarios:

- Component with a different order number
- Components with identical order number
 - Topology comparison component replacement active (p9909 = 1)
 - Topology comparison component replacement inactive (p9909 = 0)

For p9909 = 1, the serial number and the hardware version of the new replaced component are automatically transferred from the actual topology into the target topology and then saved in a non-volatile manner.

For p9909 = 0, serial numbers and hardware versions are not automatically transferred. In this case, when the data in the electronic rating plate match, the transfer is realized using p9904 = 1 or p9995 = 1.

For the components that have been replaced, the electronic rating plate must match as far as the following data are concerned:

- Component type (e.g. "SMC20")
- Order No. (e.g. "6SL3055-0AA0-5Bxx")

Example: Replacing a component with a different order number

Precondition:

- The replaced component has a different order number

Table 12- 11 Example: Replacing a component with a different order number

Action	Reaction	Remark
<ul style="list-style-type: none"> • Switch off the power supply • Replace the defective component and connect the new one • Switch on the power supply 	Alarm A01420	

Action	Reaction	Remark
<ul style="list-style-type: none"> • Load the project from the Control Unit to the STARTER (PG) • Configure the replacement drive and select the current component • Load the project to the Control Unit (target system) 	<ul style="list-style-type: none"> • Alarm disappears 	The new order number is stored in the RAM of the Control Unit and has to be copied to the non-volatile memory with p0971 or p0977.
The component has been successfully replaced		

Example: (p9909 = 1) Replacing a defective component with an identical order number

Precondition:

- The replaced component has an identical order number
- The serial number of the new replacement component must not be contained in the stored target topology of the Control Unit.
- Topology comparison component replacement active p9909 = 1.

Sequence:

During startup of the Control Unit, the serial number of the new component is automatically transferred to the target topology and saved.

Example: (p9909 = 0) Replacing a defective component with an identical order number

Precondition:

- The replaced component has an identical order number
- Topology comparison component replacement inactive p9909 = 0.

Table 12- 12 Example: Replacing a Motor Module

Action	Reaction	Remark
<ul style="list-style-type: none"> • Switch off the power supply • Replace the defective component and connect the new one • Switch on the power supply 	Alarm A01425	
<ul style="list-style-type: none"> • Set p9905 to "1" 	<ul style="list-style-type: none"> • Alarm disappears • The serial number is copied to the target topology 	The serial number is stored in the RAM of the Control Unit and has to be copied to the non-volatile memory with p0971 or p0977.

Action	Reaction	Remark
The component has been successfully replaced		

Example: Replacing a Motor Module/Power Module with a different power rating

Precondition:

The replaced power unit has a different power rating

Vector: Power rating of the Motor Module/Power Module not greater than 4 * motor current

Table 12- 13 Example: Replacing a power unit with a different power rating

Action	Reaction	Remark
<ul style="list-style-type: none"> • Switch off the power supply • Replace the defective component and connect the new one • Switch on the power supply 	Alarm A01420	
<ul style="list-style-type: none"> • Drive Object CU: <ul style="list-style-type: none"> - p0009 = 1 - p9906 = 2 - p0009 = 0 - p0977 = 1 	<ul style="list-style-type: none"> • Device configuration • Component comparison • Completing the configuration • Data backup 	For p9906=2: Caution Topology monitoring for all (!) components heavily reduced so that DRIVE-CLiQ lines may be hidden by mistake.
<ul style="list-style-type: none"> • Drive Object component: <ul style="list-style-type: none"> - p0201 = r0200 - p0010 = 0 - p0971 = 1 	<ul style="list-style-type: none"> • Use the code number • Completing commissioning • Data backup 	The new order number is stored in the RAM of the Control Unit and has to be copied to the non-volatile memory with p0971 or p0977.
The component has been successfully replaced		

12.8 Exchanging a SINAMICS Sensor Module Integrated

The motor and encoder data required for the operation of a motor with DRIVE-CLiQ are stored in their as-delivered condition on the EEPROM of the SINAMICS Sensor Module Integrated (DRIVE-CLiQ at the Motor). Therefore, no data must be entered for the commissioning of motors with DRIVE-CLiQ.

NOTICE

The user is responsible for backing up the data of the Sensor Module Integrated. Data are not backed up automatically, and you are therefore required to back up this data on the CompactFlash card.

Back up the data of the SINAMICS Sensor Module Integrated on the CompactFlash card after every topology modification.

When servicing is required, the relevant data can then be quickly copied to a new, empty SMI which can be put into operation immediately.

NOTICE

When a defective SMI needs to be mechanically exchanged for an empty SMI (without motor or encoder data), the replacement must always be carried out by a service technician.

NOTICE

If the SMI data have not been backed up despite the guidance above, an attempt should first be made to save the data (before the module is dismantled). As long as the SMI is still capable of communicating, this is the simplest method of transferring the correct motor and encoder data to an empty SMI.

12.8.1 Backing up SMI data on a memory card

Requirements

To be able to back up SMI EEPROM data to a memory card, the following conditions must be fulfilled:

- SINAMICS firmware version as of 2.5 on CU.
- STARTER or SCOUT is connected online to the CU.
- The drive system is fully commissioned (the target topology contains only component numbers less than 200).

Backup methods

The data of the SINAMICS Sensor Module Integrated can be saved retentively on the memory card.

- Back up the data of all SINAMICS Sensor Modules Integrated with p4692 = 1
- Selective backup of the data of one SINAMICS Sensor Module Integrated:
 - Enter the component number (stored in p0141 and displayed in the target topology) in p4690.
 - Activate the data backup via p4691 = 1.

The data are saved in two files on the memory card.

- for motor data: SMIn0xz1.bin
 - for encoder data: SMIn0xz2.bin
- "...n..." indicates the version of the SINAMICS Sensor Module Integrated:
- "...1..." for SMI10
(encoder evaluation for resolver),
 - "...2..." for SMI20
(encoder evaluation for incremental encoder sin/cos 1 Vpp and absolute encoder Endat)

The dummy "z" stands for data formats b (block structure) or e (EFS file system).

Example:

The two files of a SINAMICS Sensor Module Integrated with the component number 7 are saved in the following path on a CU3x0:

```
/USER/SINAMICS/DATA/SMI_DATA/C007/...
```

Back up the data of all SMIs (p4692=1)

SMI data backup is started with CU parameter "Back up data of all SMIs" p4692=1. When all the data have been backed up, parameter p4692 is reset to 0 automatically.

Data can be backed up only for SMIs which are displayed in the "Actual topology".

Back up the data of a specific SMI (p4690, p4691)

1. Find out the component number of the SMI

If you want to back up the data of a specific SMI, you must find out its component number. You can read this number in the target topology overview.

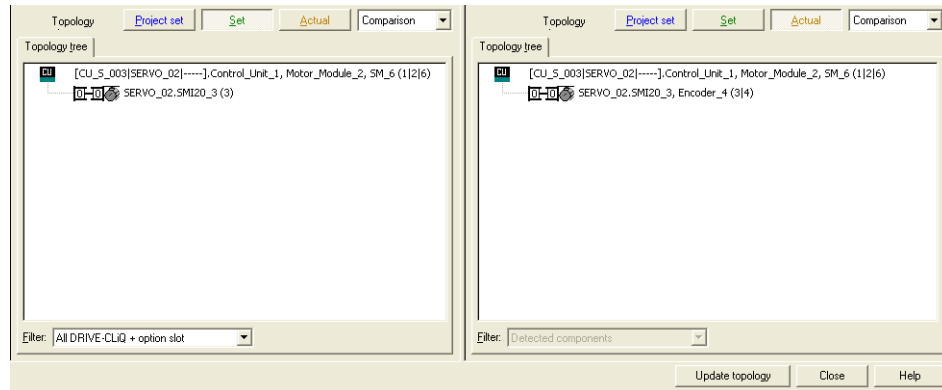


Figure 12-21 Finding the component number of an SMI in the target topology

2. Back up the SMI data (p4690, p4691)

The component number of the SMI which needs data backup is entered in CU parameter "SMI component number" p4690. This is 3 in the example.

The process is started with p4691=1.

When all the data have been backed up, parameter p4691 is reset to 0 automatically.

If data backup has not been successful, the parameter is not reset to zero, but to a fault value instead.

The backup fault values are as follows:

- 13: Insufficient space on the memory card
- 14: Format of backup data is incorrect

Remedy:

With fault value = 13:
Use a higher-capacity memory card.

With fault value = 14:
There are two different hardware versions of SMI devices, i.e. they differ in terms of processor system. The old hardware version (SAC) supports the data format "block structure" while the new version (DAC) supports the data formats "block structure" and "EFS". If data have been backed up from the old hardware version, they can be transferred to a module with the new hardware version. However, data from new hardware versions cannot be transferred to old hardware versions.

Overview of important parameters (see SINAMICS S120/S150 List Manual)

- p4690 SMI component number
- p4691 Backup SMI data
- p4692 Backup all SMI data

12.9 DRIVE-CLiQ topology

Introduction

The term topology is used in SINAMICS to refer to a wiring harness with DRIVE-CLiQ cables. A unique component number is allocated to each component during the start-up phase.

DRIVE-CLiQ (Drive Component Link with IQ) is a communication system for connecting the various components in SINAMICS (e.g. Control Unit, Line Module, Motor Modules, motors, and encoders).

DRIVE-CLiQ supports the following properties:

- Automatic detection of components by the Control Unit
- Standard interfaces to all components
- Standardized diagnostics down to component level
- Standardized service down to component level

Electronic rating plate

The electronic rating plate contains the following data:

- Component type (e.g. SMC20)
- Order number (e.g. 6SL3055-0AA0-5BA0)
- Manufacturer (e.g. SIEMENS)
- Hardware version (e.g. A)
- Serial number (e.g. "T-PD3005049)
- Technical specifications (e.g. rated current)

Actual topology

The actual topology is the actual DRIVE-CLiQ wiring harness.

When the drive system components are started up, the actual topology is detected automatically via DRIVE-CLiQ.

Target topology

The target topology is stored on the memory card on the Control Unit and is compared with the actual topology when the Control Unit is started up.

The target topology can be specified in two ways and saved on the memory card:

- Via STARTER
by creating the configuration and loading it onto the drive
- Via quick commissioning (automatic configuration):
the actual topology is read and the target topology written to the memory card.

Comparison of topologies at Power On

Comparing the topologies prevents a component from being controlled/evaluated incorrectly (e.g. drive 1 and 2).

When the drive system boots, the Control Unit compares the detected actual topology and the electronic rating plates with the target topology stored on the memory card.

You can specify how the electronic rating plates are compared for all the components of a Control Unit via p9906. The type of comparison can be changed subsequently for each individual component. You can use p9908 for this or right-click in the topology view in the STARTER tool. All data on the electronic rating plate are compared by default.

The following data in the target and actual topologies is compared depending on the settings made in p9906/9908:

- p9906/p9908 = 0 component type, order number, manufacturer, serial number
- p9906/p9908 = 1 component type, order number
- p9906/p9908 = 2 component type
- p9906/p9908 = 3 component class (e.g. Sensor Module or Motor Module)

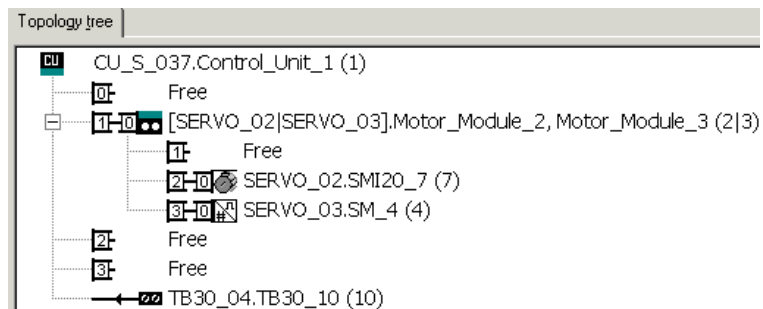


Figure 12-22 Topology view in STARTER

NOTICE

The Control Unit and the Option Board are not monitored. A replacement of components is accepted automatically and not displayed.

12.10 Rules for wiring with DRIVE-CLiQ

The following rules apply for wiring components with DRIVE-CLiQ. The rules are subdivided into **DRIVE-CLiQ rules**, which must be observed, and **recommended rules**, which, when observed, do not require any subsequent changes to the topology created offline in STARTER.

The maximum number of DRIVE-CLiQ components and the possible wiring form depend on the following points:

- The binding DRIVE-CLiQ wiring rules
- The number and type of activated drives and functions on the Control Unit in question
- The computing power of the Control Unit in question
- The set processing and communication cycles

Below you will find the binding wiring rules and some other recommendations as well as a few sample topologies for DRIVE-CLiQ wiring.

The components used in these examples can be removed, replaced with others or supplemented. If components are replaced by another type or additional components are added, the SIZER tool should be used to check the topology.

If the actual topology does not match the topology created offline by STARTER, the offline topology must be changed accordingly before it is downloaded.

12.10.1 General rules

DRIVE-CLiQ rules

The wiring rules below apply to standard cycle times (servo 125 μ s, vector 400 μ s). For cycle times that are shorter than the corresponding standard cycle times, additional restrictions apply due to the computing power of the CU (configuration via the SIZER tool).

The rules below apply on a general basis, unless limited, as a function of the firmware version.

Note

A Double Motor Module, a DMC20, a TM54F and a CUA32 each correspond to two DRIVE-CLiQ participants. This also applies to Double Motor Modules, of which just one drive is configured.

- A maximum of 14 nodes can be connected to a DRIVE-CLiQ line on the Control Unit.
- Up to 8 nodes can be connected in a row. A row is always seen from the perspective of the Control Unit.
- Ring wiring is not permitted.
- Components must not be double-wired.
- The TM54F must not be operated on the same DRIVE-CLiQ line as Motor Modules.

- The Terminal Modules TM15, TM17 and TM41 have faster sample cycles than the TM31 and TM54F. For this reason, the two groups of Terminal Modules must be connected in separate DRIVE-CLiQ lines.

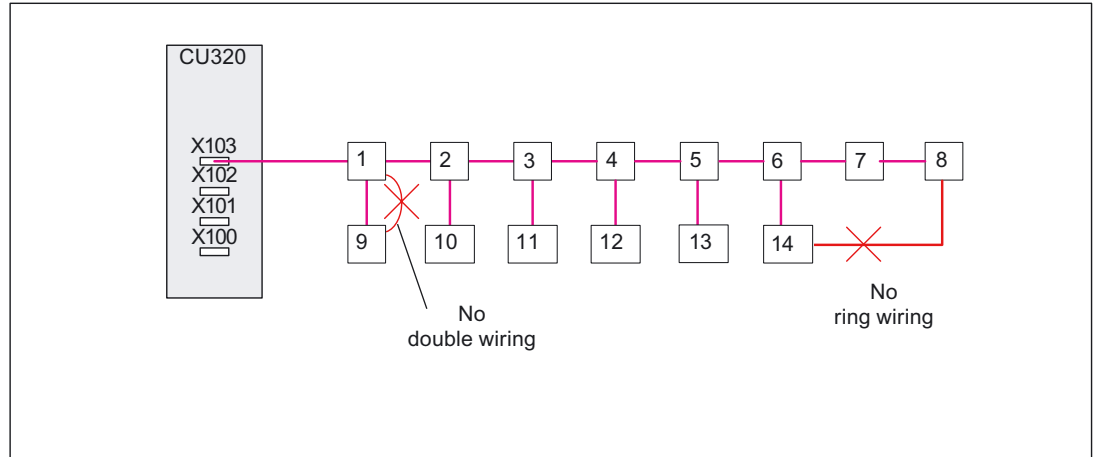


Figure 12-23 Example: DRIVE-CLiQ line on a CU320 X103

- Only one Line Module can be connected to a Control Unit. Further Line Modules may be connected in parallel to this Line Module.
- If using chassis design components, no more than one Smart Line Module and one Basic Line Module may be jointly operated on one Control Unit (mixed operation on a DRIVE-CLiQ line).
- The default sampling times may be changed.
- Mixed operation of servo and vector is not permitted.
- Mixed operation (servo with vector V/f control) is possible.
- During mixed operation of servo and vector V/f control, separate DRIVE-CLiQ lines must be used for Motor Modules (mixed operation is not permissible on Double Motor Modules).
- With vector V/f control, more than four nodes can only be connected to one DRIVE-CLiQ line on the Control Unit.
- A maximum of 9 encoders can be connected.
- A maximum of 8 Terminal Modules can be connected to the CU320.
- A maximum of 3 Terminal Modules can be connected to the CU310.
- The Active Line Module booksize and Motor Modules booksize
 - can be connected to one DRIVE-CLiQ line in **servo** mode.
 - must be connected to separate DRIVE-CLiQ lines in **vector** mode.
- The Line Module (chassis) (Active Line, Basic Line, Smart Line) and the Motor Modules (chassis) must be connected to separate DRIVE-CLiQ lines.
- Motor Modules in chassis format with different current controller cycles must be connected to separate DRIVE-CLiQ lines. For this reason, chassis Motor Modules and booksize Motor Modules must be connected to separate DRIVE-CLiQ lines.

- The Voltage Sensing Module (VSM) should be connected to a free DRIVE-CLiQ port of the corresponding Active Line Module / Motor Module (due to automatic assignment of the VSM). For exceptions see the rules for firmware version V2.4 and V2.5.
- The sampling times (p0115[0] and p4099) of all components that are connected to a DRIVE-CLiQ line must be divisible by one another with an integer result. If the current controller sampling time on a DO has to be changed to another pattern that does not match the other DOs on the DRIVE-CLiQ line, the following options are available:
 - Reconnect the DO to a separate DRIVE-CLiQ line.
 - Also change the current controller sampling time and the sampling time of the inputs/outputs of the DOs not involved so that they again fit into the time grid.

Note

You can call up the "Topology" screen in STARTER to change and/or check the DRIVE-CLiQ topology for each drive unit.

Note

To enable the function "Automatic configuration" to assign the encoders to the drives, the recommended rules below must be observed.

Recommended rules

- The DRIVE-CLiQ cable from the Control Unit must be connected to X200 on the first booksize power unit or X400 on the first chassis power unit.
- The DRIVE-CLiQ connections between the power units must each be connected from interface X201 to X200/from X401 to X400 on the follow-on component.
- A Power Module with the CUA31 should be connected to the end of the DRIVE-CLiQ line.

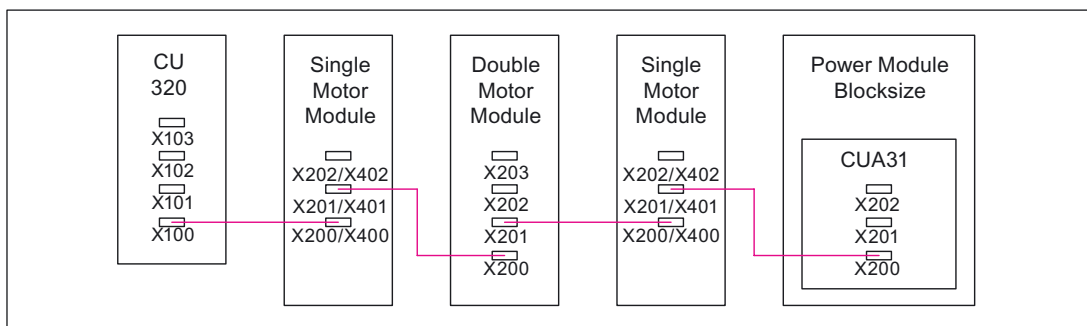


Figure 12-24 Example: DRIVE-CLiQ line

- The motor encoder must be connected to the associated power unit.

Table 12- 14 Connecting the motor encoder via DRIVE-CLiQ

Component	Connecting the motor encoder via DRIVE-CLiQ
Single Motor Module booksize	X202
Double Motor Module booksize	<ul style="list-style-type: none"> • Motor connection X1: Encoder at X202 • Motor connection X2: Encoder at X203

Component	Connecting the motor encoder via DRIVE-CLiQ
Single Motor Module chassis	X402
Power Module blocksize	<ul style="list-style-type: none"> CUA31: Encoder at X202 CU310: Encoder at X100 or via TM31 at X501
Power Module chassis	X402

Note

If an additional encoder is connected to a Motor Module, it is assigned to this drive as encoder 2 in the automatic configuration.

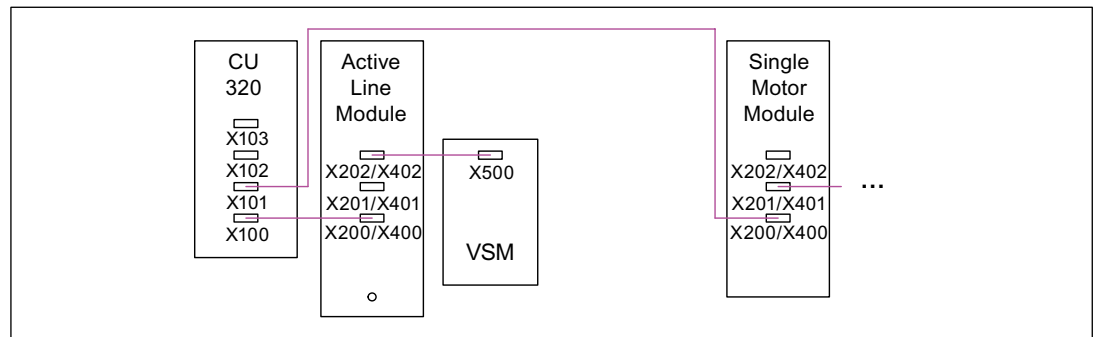


Figure 12-25 Example of a topology with VSM for booksize and chassis components

Table 12- 15 VSM connection

Component	VSM connection
Active Line Module booksize	X202
Active Line Module (chassis)	X402
Power Modules	The VSM is not supported.

Note

The following applies for firmware versions < V2.5:

All of the nodes on a DRIVE-CLiQ line must have the same basic sampling time in p0115[0]. Otherwise the VSM must be connected to a separate DRIVE-CLiQ interface on the Control Unit.

- Only one final node should ever be connected to free DRIVE-CLiQ ports of components within a DRIVE-CLiQ line (e.g. Motor Modules wired in series), for example, one Sensor Module or one Terminal Module, without forwarding to additional components.
- If possible, Terminal Modules and Sensor Modules of direct measuring systems should not be connected to the DRIVE-CLiQ line of Motor Modules but rather to free DRIVE-CLiQ ports of the Control Unit.

12.10.2 Rules for different firmware versions

Rules for FW2.1

- Only one Active Line Module can be connected to a Control Unit.
- The default sampling times must not be changed.
- A Double Motor Module must not be operated as a single drive.
- Mixed operation of servo and vector V/f control is not permitted.
- The Active Line Module and the Motor Modules must be connected to separate DRIVE-CLiQ lines, both for vector and for servo.

Table 12- 16 Maximum number of drives that can be controlled by a Control Unit 320

	Servo	Vector
Number of components	1 Active Line Module + 6 Motor Modules	1 Active Line Module + 2 Motor Modules (sampling rate of current controller 250 µs / speed controller 1000 µs)
Note: In addition, the "Safe Standstill" function can be activated and a TM31 connected.		

Rules for FW2.2

- Only one Active Line Module can be connected to a Control Unit.
- The default sampling times must not be changed.
- A Double Motor Module must not be operated as a single drive.

Table 12- 17 Maximum number of drives that can be controlled by a Control Unit 320

	Servo	Vector V/f control (= vector without speed control function module)	Vector
Number of components	1 Active Line Module + 6 Motor Modules	1 Active Line Module + 4 Motor Modules (sampling time of current controller 250 µs) 1 Active Line Module + 6 Motor Modules (sampling time of current controller 400 µs)	1 Active Line Module + 2 Motor Modules (sampling time of current controller 250 µs / speed controller 1000 µs) 1 Active Line Module + 4 Motor Modules (sampling time of current controller 400 µs / speed controller 1600 µs)
	Servo and vector V/f control: 1 Active Line Module + 5 Motor Modules (Servo: current controller 125 µs / speed controller 125 µs) Vector V/f control: current controller sampling time 250 µs for a maximum of 2 V/f drives current controller sampling time 400 µs for more than 2 V/f drives)		

	Servo	Vector V/f control (= vector without speed control function module)	Vector
Notes on the maximum number of drives that can be controlled by a CU320: <ul style="list-style-type: none"> • In addition, the "Safe Standstill" function can be activated and a TM31 connected. • No function modules must be activated. 			

Rules for FW2.3

- The default sampling times must not be changed.

Table 12- 18 Maximum number of drives that can be controlled by a Control Unit 320

	Servo	Vector V/f control (= vector without speed control function module)	Vector
Number of components	1 Active Line Module + 6 Motor Modules	1 Active Line Module + 4 Motor Modules (sampling time of current controller 250 μ s / speed controller 1000 μ s) 1 Active Line Module + 6 Motor Modules (sampling time of current controller 400 μ s / speed controller 1600 μ s) 1 Active Line Module + 10 Motor Modules (sampling time of current controller 500 μ s / speed controller 4000 μ s)	1 Active Line Module + 2 Motor Modules (sampling time of current controller 250 μ s / speed controller 1000 μ s) 1 Active Line Module + 4 Motor Modules (sampling time of current controller 400 μ s / speed controller 1600 μ s)
	Servo and vector V/f control: 1 Active Line Module + 5 Motor Modules (Servo: current controller 125 μ s / speed controller 125 μ s) Vector V/f control: current controller sampling time 250 μ s for a maximum of 2 V/f drives current controller sampling time 400 μ s for more than 2 V/f drives)		
Notes on the maximum number of drives that can be controlled by a CU320: <ul style="list-style-type: none"> • In addition, the "Safe Standstill" function can be activated and a TM31 connected. • No function modules must be activated. 			

Rules for FW2.4

- The Voltage Sensing Module may be connected directly to a DRIVE-CLiQ port of the relevant Active Line Module / Motor Module only if the DRIVE-CLiQ clock cycle matches the current controller clock cycle of the Active Line Module / Motor Module.
- If possible, the CUA31 should be connected at the end of the line.

Table 12- 19 Maximum number of drives that can be controlled by a Control Unit 320

	Servo	Vector V/f control (=vector without speed control function module and without encoder)	Vector
Number of components	1 Active Line Module + 6 Motor Modules ¹⁾	1 Active Line Module + 4 Motor Modules ¹⁾ (sampling time of current controller 250 µs / speed controller 1000 µs) 1 Active Line Module + 6 Motor Modules ¹⁾ (sampling time of current controller 400 µs / speed controller 1600 µs) 1 Active Line Module + 8 Motor Modules ¹⁾ (sampling time of current controller 500 µs / speed controller 4000 µs)	1 Active Line Module + 2 Motor Modules ¹⁾ (sampling time of current controller 250 µs / speed controller 1000 µs) 1 Active Line Module + 4 Motor Modules ¹⁾ (sampling time of current controller 400 µs / speed controller 1600 µs)
	Servo and vector V/f control: 1 Active Line Module + 5 Motor Modules ¹⁾ (Servo: Current controller 125 µs / speed controller 125 µs) Vector V/f control: current controller sampling time 250 µs / speed controller 1000 µs with max. 2 V/f drives current controller sampling time 400 µs / speed controller 1600 µs with more than 2 V/f drives)		
<p>Notes on the maximum number of drives that can be controlled by a CU320:</p> <ul style="list-style-type: none"> • In addition, the "Safe Standstill" function can be activated and a TM31 connected. • No function modules must be activated. 			
<p>1) If a CUA31 is connected as the first module to the Control Unit, then the maximum number is decreased by one.</p>			

Rules for FW2.5 SP1:

- The Voltage Sensing Module may be connected directly to a DRIVE-CLiQ port of the relevant Active Line Module / Motor Module only if the DRIVE-CLiQ clock cycle matches the current controller clock cycle of the Active Line Module / Motor Module.
- If possible, the CUA31 should be connected at the end of the line.
- Restrictions for Safety Extended Functions:
 - Max. 5 servo axes for standard settings of cycle times (monitoring cycle: 12 ms; application cycle: 125 µs).
 - Max. 4 servo axes for standard settings on one line.
 - Max. 2 vector axes for standard settings of cycle times (monitoring cycle: 12 ms; application cycle: 250 µs).
 - A Double Motor Module, DMC20, TM54F, and CUA32 each correspond to two DRIVE-CLiQ nodes.
 - TM54F must not be connected to a Motor Module via DRIVE-CLiQ.

Table 12- 20 Maximum number of drives that can be controlled by a Control Unit 320

	Servo	Vector V/f control (=vector without speed control function module and without encoder)	Vector
Number of components	1 Active Line Module + 6 Motor Modules ¹⁾	1 Active Line Module + 4 Motor Modules ¹⁾ (sampling time of current controller 250 µs / speed controller 1000 µs) 1 Active Line Module + 6 Motor Modules ¹⁾ (sampling time of current controller 400 µs / speed controller 1600 µs) 1 Active Line Module + 8 Motor Modules ¹⁾ (sampling time of current controller 500 µs / speed controller 4000 µs)	1 Active Line Module + 2 Motor Modules ¹⁾ (sampling time of current controller 250 µs / speed controller 1000 µs) 1 Active Line Module + 4 Motor Modules ¹⁾ (sampling time of current controller 400 µs / speed controller 1600 µs)
	Servo and vector V/f control: 1 Active Line Module + 5 Motor Modules ^{1) 2)} (Servo: Current controller 125 µs / speed controller 125 µs Vector V/f control: current controller sampling time 250 µs / speed controller 1000 µs with max. 2 V/f drives current controller sampling time 400 µs / speed controller 1600 µs with more than 2 V/f drives)		

	Servo	Vector V/f control (=vector without speed control function module and without encoder)	Vector
Notes on the maximum number of drives that can be controlled by a CU320:			
<ul style="list-style-type: none">• In addition, the "Safe Standstill" function can be activated and a TM31 connected.• No function modules must be activated.			
1) If a CUA31 is connected as the first module to the Control Unit, then the maximum number is decreased by one.			
2) A total of five drives are permitted (e.g. three Motor Modules + one Double Motor Module).			

12.10.3 Sample wiring for vector drives

Drive line-up comprising three Motor Modules (chassis) with identical pulse frequencies or vector (booksize)

Motor Modules (chassis) with identical pulse frequencies or vector (booksize) can be connected to a DRIVE-CLiQ interface on the Control Unit.

In the following diagram, three Motor Modules are connected to interface X101.

Note

This topology does not match the topology created offline by STARTER and must be changed.

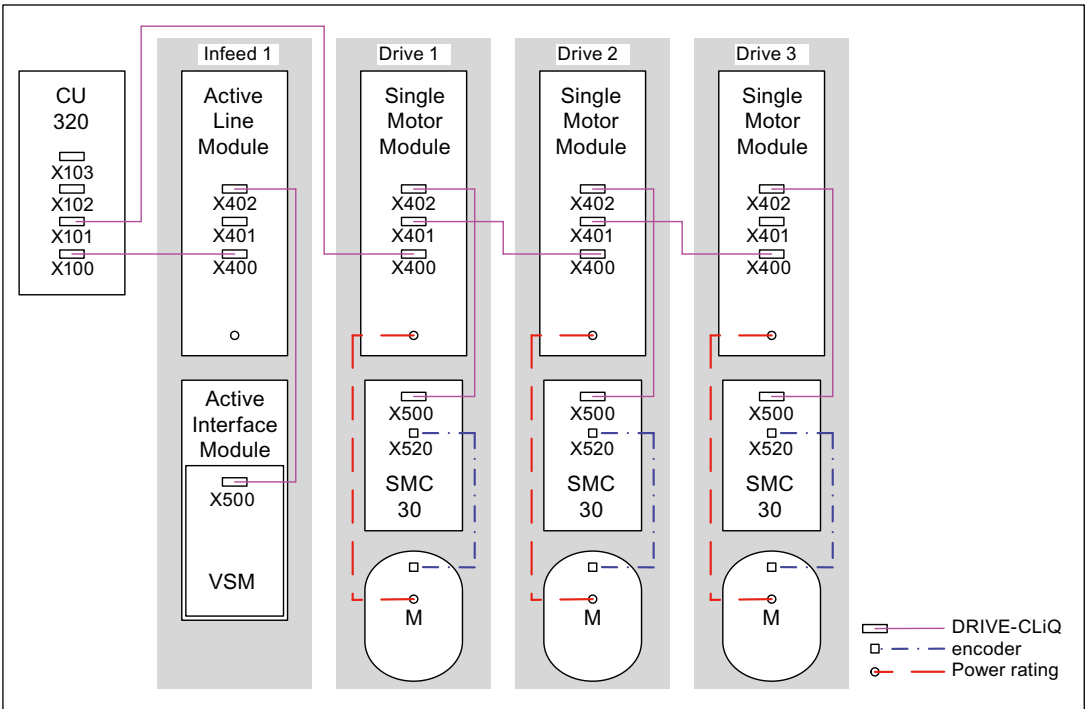


Figure 12-26 Drive line-up (chassis) with identical pulse frequencies

Drive line-up comprising four Motor Modules (chassis) with different pulse frequencies

Motor Modules with different pulse frequencies must be connected to different DRIVE-CLiQ interfaces on the Control Unit.

In the following diagram, two Motor Modules (400 V, output ≤ 250 kW, pulse frequency 2 kHz) are connected to interface X101 and two Motor Modules (400 V, output > 250 kW, pulse frequency 1.25 kHz) are connected to interface X102.

Note

This topology does not match the topology created offline by STARTER and must be changed.

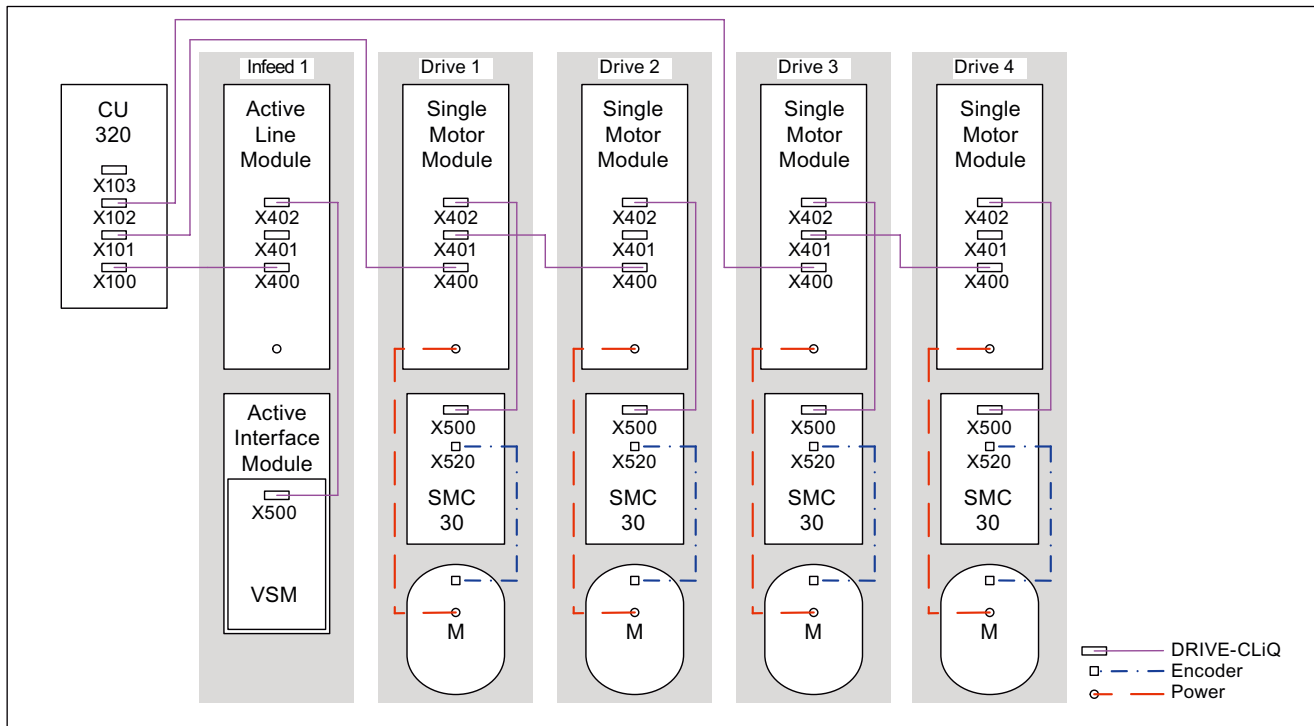


Figure 12-27 Drive line-up (chassis) with different pulse frequencies

12.10.4 Sample wiring of Vector drives connected in parallel

Drive line-up with two parallel-connected Line Modules and Motor Modules (chassis) of the same type

Parallel-connected Line Modules (chassis) and Motor Modules (chassis) of the same type can be connected to a DRIVE-CLiQ interface of the Control Unit.

In the following diagram, two Active Line Modules and two Motor Modules are connected to the X100 and X101 interface.

For further information on parallel connection, see the chapter "Parallel connection of power units" in this Function Manual.

Note

This topology does not match the topology created offline by STARTER and must be changed.

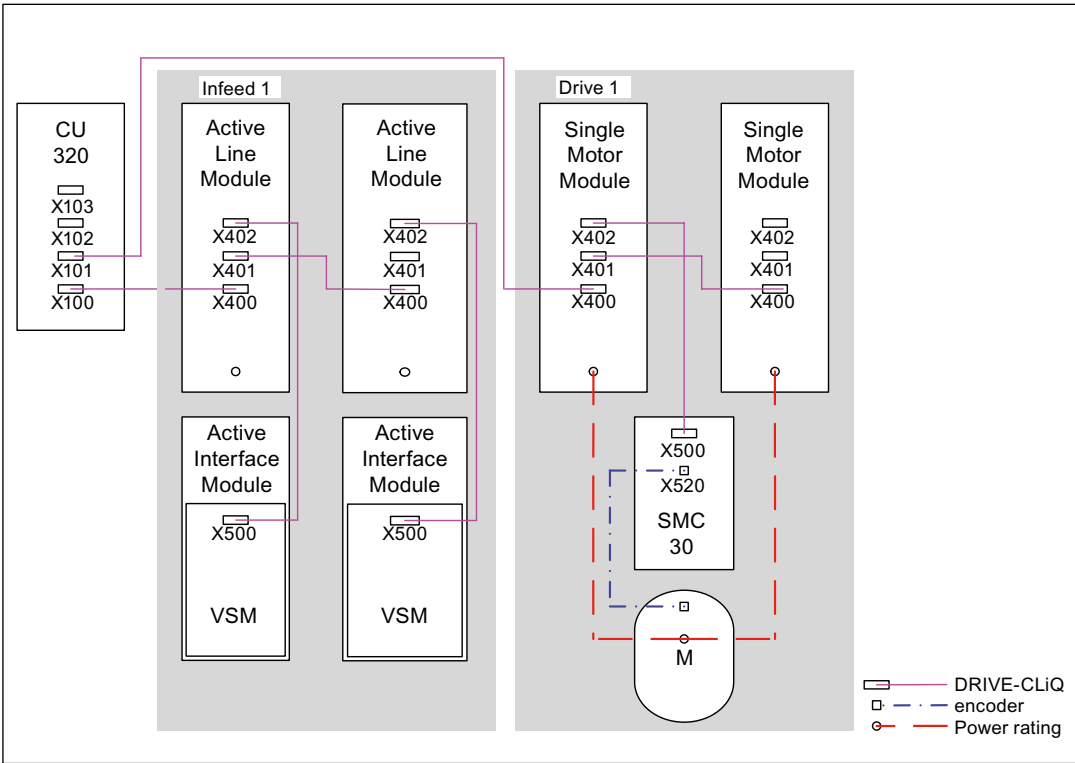


Figure 12-28 Drive line-up with parallel-connected power units (chassis)

12.10.5 Sample wiring: Power Modules

Blocksize

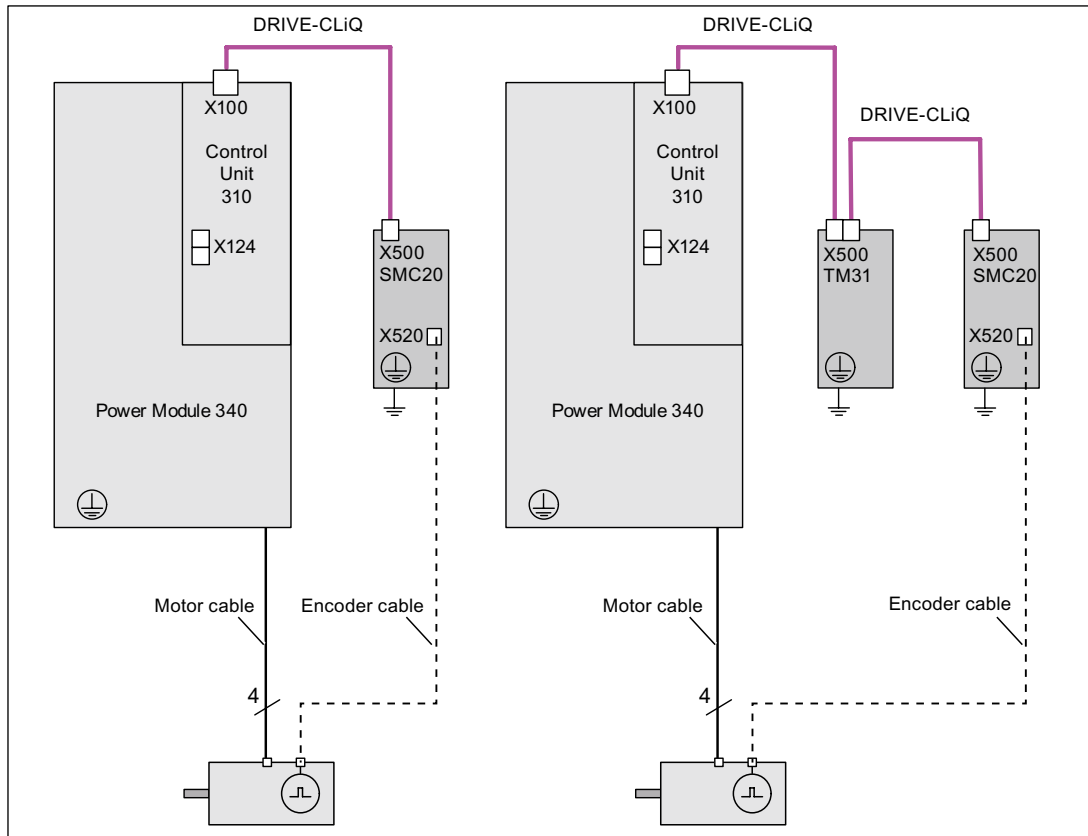


Figure 12-29 Wiring example for Power Modules Blocksize

Chassis

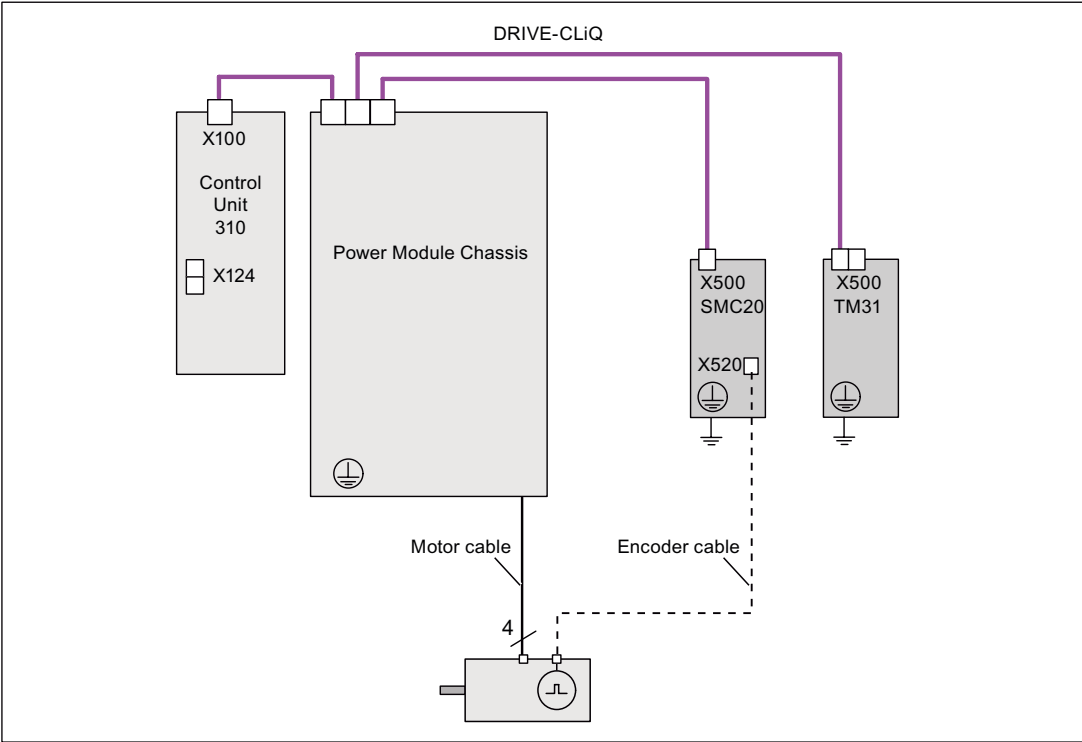
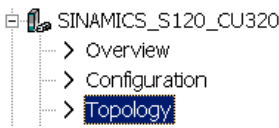
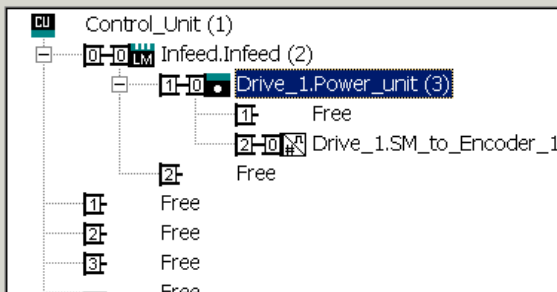
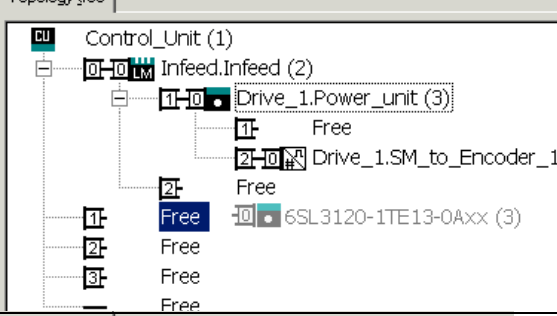
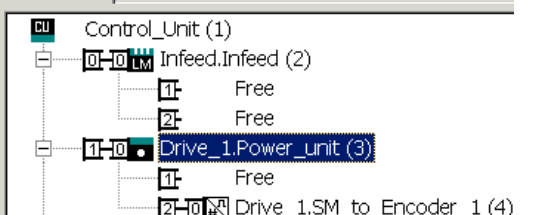


Figure 12-30 Wiring example for Power Modules Chassis

12.10.6 Changing the offline topology in STARTER

The device topology can be changed in STARTER by moving the components in the topology tree.

Table 12- 21 Example: changing the DRIVE-CLiQ topology

	Topology tree view	Remark
		Select the DRIVE-CLiQ component.
		Keeping the mouse button depressed, drag the component to the required DRIVE-CLiQ interface and release the mouse button.
		You have changed the topology in STARTER.

12.10.7 Sample wiring for servo drives

The following diagram shows the maximum number of controllable servo drives and extra components. The sampling times of individual system components are:

- Active Line Module: p0115[0] = 250 µs
- Motor Modules: p0115[0] = 125 µs
- Terminal Module/Terminal Board p4099 = 1 ms

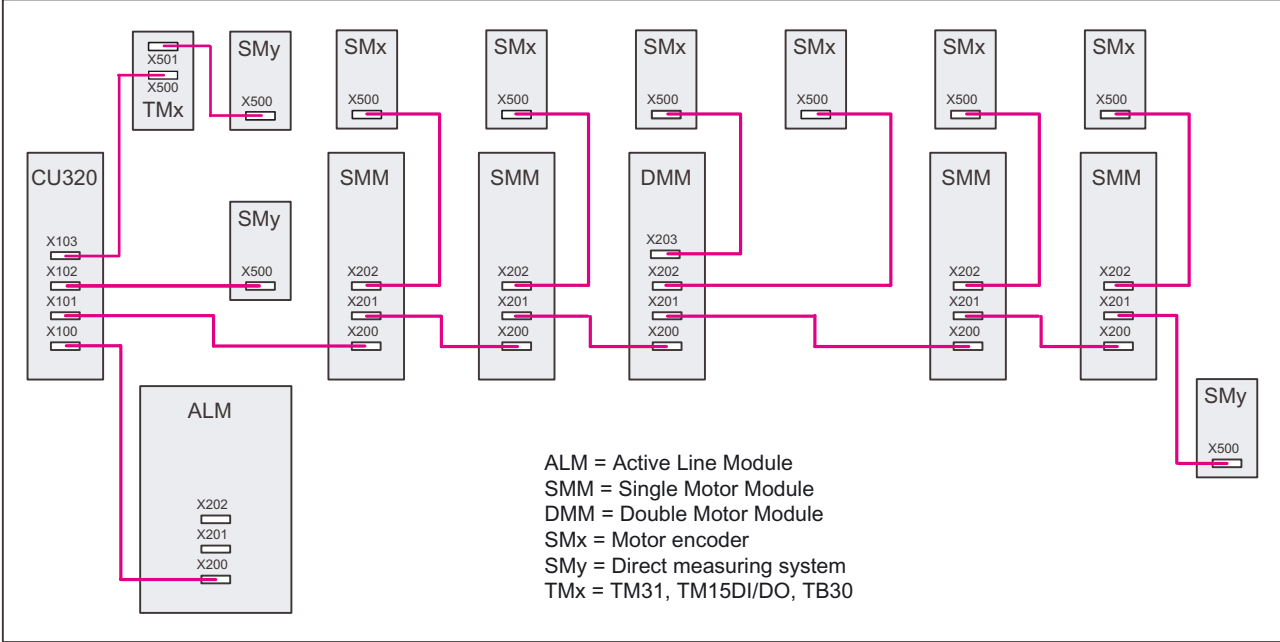


Figure 12-31 Sample servo topology

12.10.8 Sample wiring for vector V/f drives

The following diagram shows the maximum number of controllable vector V/f drives and extra components. The sampling times of individual system components are:

- Active Line Module: p0115[0] = 250 μs
- Motor Modules: p0115[0] = 125 μs
- Terminal Module/Terminal Board p4099 = 1 ms
- Maximum 8 axes controllable in Vector V/f control

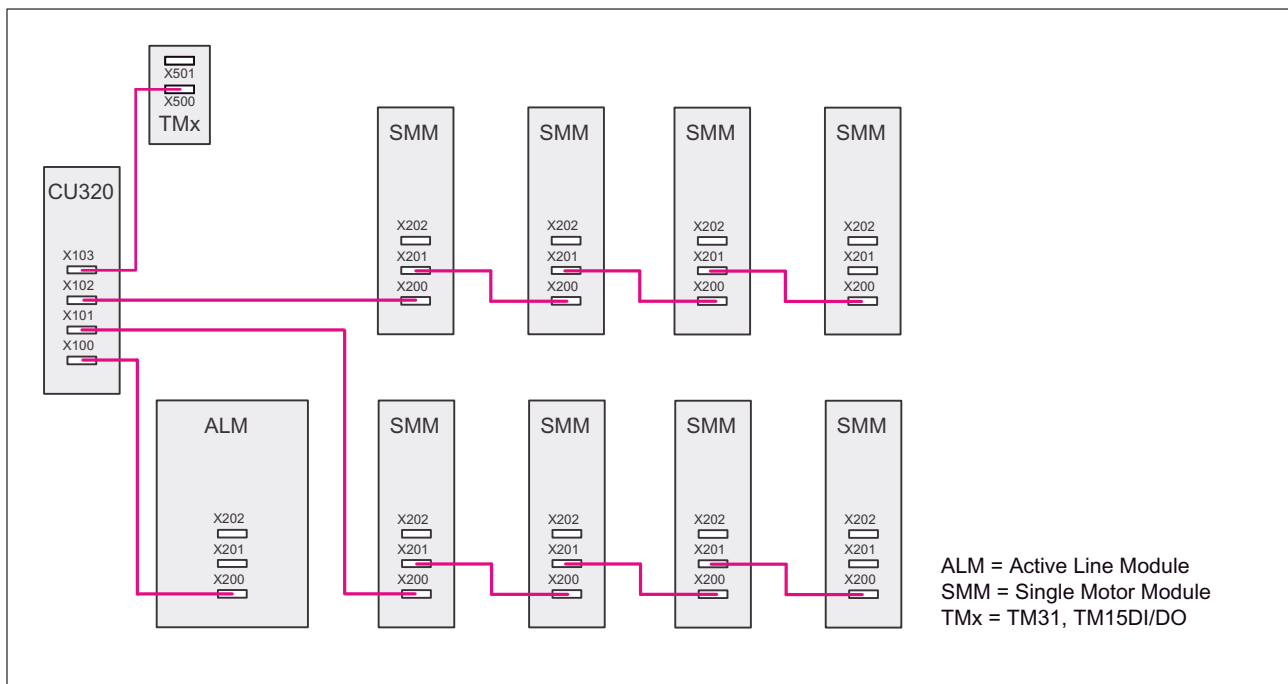


Figure 12-32 Sample vector V/f topology control

12.11 Autonomous operating mode for DRIVE-CLiQ components

Description

In order to protect the drive system against excessive voltage when the CU or DRIVE-CLiQ communication fails (e.g. while a spindle is rotating), an autonomous operating mode (emergency operation) is implemented in DRIVE-CLiQ components for the following functions:

- Chopper mode (for Basic Line Module 20kW / 40kW in combination with an external braking resistor).
- Integrated voltage protection for machines with a high kinetic energy (armature short circuit controlled by the Motor Modules on the basis of the DC link voltage).

Features

- Resumption and re-synchronization of DRIVE-CLiQ communication in emergency mode when necessary (only if clock cycle conditions have not changed) and without POWER ON.
- Switchover from emergency mode to normal mode without POWER OFF / ON on the component.
- Defined response with factory setting / project download.

Note

Autonomous (emergency) operation is available only on Motor Modules and Basic Line Modules with order numbers which end with the code ..3, e.g. 6SL3130-6TE21-6AA3, .

Principle of operation

Autonomous time-slice operation is dependent on successful execution of the following two tasks:

- Detection that a critical state has developed on the component which means that the protective function must be maintained.
In this state, the time-slice interrupts of the protective function must be sustained.
- Attainment of a state in which communication with the higher-level control can be resumed.

In order to maintain the protective function, the time-slice system must remain active. The logged-on time-slice system remains active until the protective functions signal that a safe state has been reached and the time slices can therefore be deactivated. When communication is resumed and the DRIVE-CLiQ master signals that no bus timing changes will be made as compared to the old parameter settings, the DRIVE-CLiQ components can be synchronized, the time-slice system remains active as before.

Note

All algorithms for autonomous time-slice operation are executed as a background process for the component. They thus have no influence on the computer resources utilized cyclically by the component.

A prerequisite for resumption of communication is that the topology can be scanned in emergency operation.

Note

When the component is running in emergency mode, it cannot be deactivated.

Preparation for autonomous time-slice operation

The application signals (basic system DRIVE-CLiQ slave components) preparation for autonomous time-slice operation. This occurs, for example, when the "armature short circuit" protective function is active or in chopper operation.

Switchover from normal to autonomous operation

The application activates autonomous time-slice operation. Switchover takes place instantaneously.

Switchover from autonomous to normal operation

As of firmware version V2.6, a component can be switched to normal operation without POWER ON at any time.

Resumption of DRIVE-CLiQ communication when autonomous mode is active

A distinction must be made between the two operating states below:

- The DRIVE-CLiQ bus timing, e.g. clock cycle settings, has not changed since the component last booted:
The DRIVE-CLiQ component boots in cyclic mode.
- The DRIVE-CLiQ timing has changed:
Autonomous operation must continue at all costs. The DRIVE-CLiQ component refuses to boot until the application signals that autonomous operation is no longer required. The component can then restart with the modified clock cycle settings.

The component may already be running when the second download takes place. To permit a second download (reconfiguration, factory setting,...), the DRIVE-CLiQ master must

"deactivate" the protective function (if one is selected) and thus also autonomous time-slice operation. All timing changes can be accepted in this state.

The DRIVE-CLiQ master performs a relevance check on the download (relevant here means only those settings which affect the time-slice behavior of the component).

Reconfigurations which must be linked to the DRIVE-CLiQ slave with message "Timing change" are

- Changes to the DRIVE-CLiQ clock cycle for the component
- Changes to oversampling settings which require internal reconfiguration of the time-slice system.

Please also note the following:

- Changes to component connections and longer cables between components require adjustments to signal propagation delays and therefore also change the timing.

12.12 Notes on the number of controllable drives

12.12.1 Introduction

The number and type of controlled drives and the extra activated functions on a Control Unit can be scaled by configuring the firmware. The maximum possible functionality depends on the computing power of the Control Unit used and may be checked in each case using the SIZER projecting tool.

12.12.2 Number of controllable drives

The following specifications provide a rough guide to the potential drive numbers for each Control Unit CU320 as a function of the current and speed controller clock cycles and the sampling times of the frequency/voltage channels with vector V/f control.

Note

The following information is valid for power units of booksize and chassis format.

The maximum number of drives is reduced by one in each case when blocksize power units are used.

Servo control

- Servo without extra function modules (e.g. setpoint channel):
PROFIBUS-DP cycle ≥ 1 ms
 - 6 drives (sampling times: current controller 125 μ s / speed controller 125 μ s), of which max. 2 induction motors or 2 drives (sampling times: current controller 62.5 μ s / speed controller 62.5 μ s), both also induction motors
 - 5 drives, all induction motors (sampling times: current controller 125 μ s / speed controller 125 μ s)
 - 6/5 motor measurement systems (with 6 drives/with 5 drives)
 - 3 direct measuring systems
 - 1 Terminal Module TM31 or 1 Terminal Board TB30 with 1 ms sampling time
 - 1 Active Line Module with 250 μ s sampling time without Voltage Sensing Module
- Servo without extra function modules (e.g. setpoint channel):
PROFIBUS DP cycle ≥ 500 μ s and < 1 ms, valid for integrated SINAMICS drives for SIMOTION and SINUMERIK
 - 5 drives (sampling times: current controller 125 μ s / speed controller 125 μ s), of which max. 2 induction motors or 2 drives (sampling times: current controller 62.5 μ s / speed controller 62.5 μ s), both also induction motors
 - Remaining modules as above

- Servo with CBE20 function module:
PROFINET IO bus cycle time ≥ 1 ms
 - 5 drives (sampling times: current controller 125 μ s / speed controller 125 μ s), of which max. 2 induction motors or 1 drive (sampling times: current controller 62.5 μ s / speed controller 62.5 μ s), induction motor also possible
 - 5 motor measuring systems
 - 2 direct measuring systems
 - 1 Terminal Module TM31 or 1 Terminal Board TB30 with 1 ms sampling time
 - 1 Active Line Module with 250 μ s sampling time without Voltage Sensing Module
- Servo with CBE20 function module:
PROFINET IO bus cycle time ≥ 500 μ s and < 1 ms
 - 4 drives (sampling times: current controller 125 μ s / speed controller 125 μ s), of which max. 2 induction motors or 1 drive (sampling times: current controller 62.5 μ s / speed controller 62.5 μ s), induction motor also possible
 - Remaining modules as above
- Servo with EPOS function module
 - 3 drives (sampling times: current controller 125 μ s / speed controller 125 μ s / position controller 1 ms / positioning 4 ms)
 - 3 motor measuring systems
 - 1 Active Line Module with 250 μ s sampling time without Voltage Sensing Module

Vector control (cycles for EPOS: Position controller cycle = 1 ms / IPO cycle = 4 ms)

- Vector without additional Function Modules
 - 2 drives (sampling times: current controller 250 μ s / speed controller 1000 μ s)
 - 4 drives (sampling times: current controller 500 μ s / speed controller 2000 μ s)
- Vector with Function Module basic positioner (EPOS)
 - 2 drives (sampling times: current controller 250 μ s / speed controller 1000 μ s)
 - 3 drives (sampling times: current controller 500 μ s / speed controller 2000 μ s)
- Vector V/f control without additional Function Modules
 - 6 drives (sampling times: current controller 400 μ s / speed controller 1600 μ s)
 - 8 drives (sampling times: current controller 500 μ s / speed controller 2000 μ s)

The details for the vector drives include:

- 1 Active Line Module with 250 μ s (also applies to Chassis)
- 1 motor encoder per drive (not with vector V/f control)
- 1 Terminal Module TM31 or 1 Terminal Board TB30 with 1 ms sampling time

Mixed operation

- Mixed operation of servo and vector V/f control
5 drives with the following sampling times:
 - Servo:
current controller 125 μ s / speed controller 125 μ s
 - Vector V/f control:
current controller 250 μ s / speed controller 1000 μ s for up to 2 V/f drives
current controller 500 μ s / speed controller 1600 μ s for more than 2 V/f drives
- Mixed operation vector and vector V/f control
 - 2 drives (sampling times: current controller 250 μ s / speed controller 1000 μ s)
 - 4 drives (sampling times: current controller 500 μ s / speed controller 2000 μ s)

12.13 System sampling times

12.13.1 Description

The software functions installed in the system are executed cyclically at different sampling times (p0115, p0799, p4099).

The sampling times of the functions are automatically pre-assigned when configuring the drive unit.

The settings are based on the selected mode (vector/servo), the number of connected components, and the functions activated.

The sampling times can be adjusted using parameter p0112 (sampling times, pre-setting p0115), p0113 (pulse frequency, minimum selection) or directly using p0115.

For p0092 = 1, the sampling times are pre-assigned so that isochronous operation together with a control is possible. If isochronous operation is not possible due to incorrect sampling time settings, then an appropriate message is output (A01223, A01224). Before the automatic configuration, parameter p0092 must be set to "1" in order that the sampling times are appropriately pre-set.

Note

Any change to the preset sampling times should only be performed by experts.

12.13.2 Setting the sampling times

Introduction

Setting the sampling times via p0112

The sampling times for:

- Current controller (p0115[0])
- Speed controller (p0115[1])
- Flux controller (p0115[2])
- Setpoint channel (p0115[3])
- Position controller (p0115[4])
- Positioner (p0115[5])
- Technology controller (p0115[6])

are set by selecting the appropriate values in p0112 for the closed-loop control configuration and are copied to p0115[0...6] depending on the performance levels required. The performance levels range from xLow to xHigh.

The sampling times are shown in the following table.

Table 12- 22 For Active Infeed, the sampling time is set using p0112 (p0112 = 1 not for p0092 = 1)

p0112	p0115[0]	p0115[1]	p0115[2]	p0115[3]	p0115[4]	p0115[5]	p0115[6]
1: xLow	400	-	-	1600	-	-	-
2: Low	250	-	-	2000	-	-	-
3: Standard	125	-	-	2000	-	-	-
4: High	125	-	-	1000	-	-	-
5: xHigh	125	-	-	500	-	-	-

Table 12- 23 For Smart Infeed, the sampling time is set using p0112 (p0112 = 1 not for p0092 = 1)

p0112	p0115[0]	p0115[1]	p0115[2]	p0115[3]	p0115[4]	p0115[5]	p0115[6]
1: xLow	400	-	-	1600	-	-	-
2: Low	250	-	-	2000	-	-	-
3: Standard	250	-	-	2000	-	-	-
4: High	250	-	-	1000	-	-	-
5: xHigh	-	-	-	-	-	-	-

Table 12- 24 For Basic Infeed Booksize, the sampling time is set using p0112

p0112	p0115[0]	p0115[1]	p0115[2]	p0115[3]	p0115[4]	p0115[5]	p0115[6]
1: xLow	-	-	-	-	-	-	-
2: Low	-	-	-	-	-	-	-
3: Standard	-	-	-	-	-	-	-

p0112	p0115[0]	p0115[1]	p0115[2]	p0115[3]	p0115[4]	p0115[5]	p0115[6]
4: High	250	-	-	2000	-	-	-
5: xHigh	-	-	-	-	-	-	-

Table 12- 25 For Basic Infeed Chassis, the sampling time is set using p0112

p0112	p0115[0]	p0115[1]	p0115[2]	p0115[3]	p0115[4]	p0115[5]	p0115[6]
1: xLow	2000	-	-	2000	-	-	-
2: Low	2000	-	-	2000	-	-	-
3: Standard	2000	-	-	2000	-	-	-
4: High	250	-	-	2000	-	-	-
5: xHigh	-	-	-	-	-	-	-

Table 12- 26 For Servo, the sampling time is set using p0112

p0112	p0115[0]	p0115[1]	p0115[2]	p0115[3]	p0115[4]	p0115[5]	p0115[6]
1: xLow	250	250	250	4000	2000	8000	4000
2: Low	125	250	250	4000	2000	8000	4000
3: Standard	125	125	125	4000	1000	4000	4000
4: High	62.5	62.5	62.5	1000	1000	2000	1000
5: xHigh	-	-	-	-	-	-	-

Table 12- 27 For Vector, the sampling time is set using p0112 (p0112 = 1 not for p0092 = 1 and not for PM340)

p0112	p0115[0]	p0115[1]	p0115[2]	p0115[3]	p0115[4]	p0115[5]	p0115[6]
1: xLow	400	1600	1600	3200	3200	3200	3200
2: Low	250	1000	2000	1000	2000	4000	4000
3: Standard	250	1000	1000	1000	2000	4000	4000
4: High	250	500	1000	500	1000	2000	2000
5: xHigh	250	250	1000	250	1000	2000	1000

Setting the pulse frequency via p0113 when STARTER is in online mode

The minimum pulse frequency can be entered in p0113. The parameter can only be changed for p0112 = 0 (Expert). The current controller sampling time (p0115[0]) is set to the inverse value of twice the minimum pulse frequency. The current controller sampling time (p0115[0]) calculated from the pulse frequency is set in the 1.25 μ s time grid.

- Servo:

When p0113 = 2.0 kHz, p0115[0] is set to 250 μ s; when p0113 = 4.0 kHz, p0115[0] is set to 125 μ s.

- Vector:

When p0113 = 1.0 kHz, p0115[0] is set to 500 μ s; when p0113 = 2.0 kHz, p0115[0] is set to 250 μ s.

When commissioning is exited ($p0009 = p0010 = 0$), the effective pulse frequency ($p1800$) is appropriately pre-assigned, depending on $p0113$, and can be subsequently modified.

Setting the sampling times using $p0115$

If sampling times are required, which cannot be set using $p0112$ 1, then the sampling times can be directly set using $p0115$. To do so, $p0112$ must be set to 0 (Expert).

If $p0115$ is changed online, then the values of higher indices are automatically adapted.

We do not recommend that $p0115$ is changed when STARTER is in the offline mode. The reason for this is that if the parameterization is incorrect, then the project download is interrupted.

12.13.3 Rules for setting the sampling time

The following rules apply when setting the sampling times:

1. The current controller sampling times of the drive objects (DOs) and the sampling times of the inputs/outputs of the Control Unit, TM and TB modules must be a multiple integer of $1.25 \mu\text{s}$.
2. The sampling times ($p0115[0]$ and $p4099$) of all components that are connected to a DRIVE-CLiQ line must be integrally divisible by one another. If the current controller sampling time on a DO has to be changed to another pattern that does not match the other DOs on the DRIVE-CLiQ line, the following options are available:
 - Reconnect the DO to a different, separate DRIVE-CLiQ line.
 - Also change the current controller sampling time and the sampling time of the inputs/outputs of the DOs not involved so that they again fit into the time grid.
3. The sampling times of the inputs/outputs ($4099[0..2]$) of a TB30 must be an integer multiple of the current controller sampling time ($p0115[0]$) of a drive object connected to a DRIVE-CLiQ group.
 - Sampling time of the inputs/outputs $p4099[0..2]$: for TB30
4. When Safety Integrated Extended Functions are used (see Safety Integrated Function Manual), the sampling time of the current controller ($p0115[0]$) may be $62.5 \mu\text{s}$, $125 \mu\text{s}$ or $250 \mu\text{s}$.
5. For Active Line Modules (ALM) in booksize format, only a current controller sampling time of $125.0 \mu\text{s}$ or $250.0 \mu\text{s}$ can be set.
6. For ALMs in chassis format, only a current controller sampling time of $250.0 \mu\text{s}$ or $400.0 \mu\text{s}$ / $375.0 \mu\text{s}$ ($375 \mu\text{s}$ when $p0092 = 1$) can be set.
7. For Basic Line Modules (BLM), only a current controller sampling time of $2000 \mu\text{s}$ can be set.
8. For Motor Modules in chassis format, a current controller sampling time of minimum $250 \mu\text{s}$ can be set ($250 \mu\text{s} \leq p0115[0] \leq 500 \mu\text{s}$).
9. For Motor Modules in blocksize format (PM340), a current controller sampling time of $62.5 \mu\text{s}$, $125.0 \mu\text{s}$, $250.0 \mu\text{s}$, or $500.0 \mu\text{s}$ can be set (only pulse frequencies in multiples of 2 kHz permitted).

10. When a chassis unit is connected to a DRIVE-CLiQ line, the smallest current controller sampling time must be at least 250 μ s.

Example:

Mixture of chassis and booksize units on a DRIVE-CLiQ line.

11. A current controller sampling time between 62.5 μ s and 250.0 μ s can be set for servo drives ($62.5 \mu\text{s} \leq p0115[0] \leq 250.0 \mu\text{s}$).
12. A current controller sampling time between 250.0 μ s and 500.0 μ s can be set for servo drives ($250.0 \mu\text{s} \leq p0115[0] \leq 500.0 \mu\text{s}$).
13. For servo drives with a current controller sampling time of $p0115[0] = 62.5 \mu\text{s}$, the following applies:
- Only possible in booksize and blocksize format.
- Maximum number of components/devices:
- Booksize: 2 servo with $p0115[0] = 62.5 \mu\text{s}$ + Line Module (connected to a different DRIVE-CLiQ line)
 - Blocksize: 1 servo with $p0115[0] = 62.5 \mu\text{s}$
 - Booksize servo drives can be combined on one DRIVE-CLiQ line with a servo with $p0115[0] = 125.0 \mu\text{s}$ (but with same quantity framework).
 - A DQ hub DMC20 cannot be operated with servo drives with $p0115[0] = 62.5 \mu\text{s}$ on a DRIVE-CLiQ line but must instead be connected to a separate DRIVE-CLiQ line.
14. Synchronous PROFIBUS operation (set $p0092$ to 1):
- Control drive objects of type servo, vector and vector V/f control must have the same current controller sampling time.
Exception: 125.0 μ s can be mixed with 62.5 μ s and 125.0 μ s can be mixed with 250.0 μ s.
 - The current controller sampling time must also be a multiple integer of 125.0 μ s or equal to 62.5 μ s.
15. For control drive type vector and vector V/f control, and when using a sine-wave filter ($p0230 > 0$), it is only permissible to change the current controller sampling time of the DO involved in multiple integer steps of the default value.
16. The following applies when using a Voltage Sensing Module (VSM) with V2.5 SP3 and earlier:
- All current controller sampling times on the DRIVE-CLiQ line must be the same.
17. For 3 vector drives (speed control: $r0108.2 = 1$), a minimum current controller sampling time of 375.0 μ s can be set ($375.0 \mu\text{s} \leq p0115[0] \leq 500 \mu\text{s}$).
- This rule also applies for parallel connection (3 or 4 Motor Modules connected in parallel)
18. For 4 vector drives (speed control: $r0108.2 = 1$), a minimum current controller sampling time of 400.0 μ s can be set ($400.0 \mu\text{s} \leq p0115[0] \leq 500 \mu\text{s}$).

12.13 System sampling times

19. When servo is operated together with vector V/f control, a maximum of 5 DOs is possible (ALM, TB and TM additionally possible):

Examples:

- 1 servo + 4 vector V/f control with current controller sampling time $400 \mu\text{s} \leq p0115[0] \leq 500 \mu\text{s}$
- 2 servo + 3 vector V/f control with current controller sampling time $400 \mu\text{s} \leq p0115[0] \leq 500 \mu\text{s}$
- 3 servo + 2 vector V/f control with current controller sampling time $250 \mu\text{s} \leq p0115[0] \leq 500 \mu\text{s}$
- 4 servo + 1 vector V/f control with current controller sampling time $250 \mu\text{s} \leq p0115[0] \leq 500 \mu\text{s}$

20. A maximum of two DRIVE-CLiQ lines are possible in the unit where the lowest sampling times are not integer multiples of one another.

Example 1:

At CU-X100: Active Line Module with $250 \mu\text{s}$

At CU-X101: 1 vector drive object with $455 \mu\text{s}$ ($p0113=1.098 \text{ kHz}$)

This setting is allowed.

Other DRIVE-CLiQ lines must have a minimum sampling time of $250 \mu\text{s}$ or $455 \mu\text{s}$.

12.13.4 Default settings for the sampling times

When commissioning for the first time, the current controller sampling times (p0115[0]) are automatically pre-set with these default values as follows:

Table 12- 28 Default settings

Construction type	Number	p0112	p0115[0]	p1800
Active Infeed and Smart Infeed				
Booksize	1	2 (Low)	250 µs	-
Chassis 400 V / ≤ 300 kW 690 V / ≤ 330 kW	1	2 (Low)	250 µs	-
Chassis 400 V / > 300 kW 690 V / > 330 kW	1	0 (Expert) 1 (xLow)	375 µs (p0092 = 1) 400 µs (p0092 = 0)	- -
Basic Infeed				
Booksize	1	3 (High)	250 µs	-
Chassis	1	3 (Standard)	2000 µs	-
Servo				
Booksize	1 to 6	3 (Standard)	125 µs	4 kHz
Chassis	1 to 6	1 (xLow)	250 µs	2 kHz
Blocksize	1 to 5	3 (Standard)	125 µs	4 kHz
Vector				
Booksize	1 to 2 only n_ctrl	3 (Standard)	250 µs	4 kHz
Chassis 400 V / ≤ 250 kW	1 to 4 only V/f 1 to 2 n_ctrl and V/f mixed			2 kHz
Booksize	3 to 4 only n_ctrl	0 (Expert)	500 µs	4 kHz
Chassis 400 V / ≤ 250 kW	5 to 6 only V/f 3 to 4 n_ctrl and V/f mixed			2 kHz
Chassis > 250 kW 690 V	1 to 3 only n_ctrl 1 to 6 only V/f 1 to 3 n_ctrl and V/f mixed	0 (Expert) 1 (xLow)	375 µs (p0092 = 1) 400 µs (p0092 = 0)	1.333 kHz 1.25 kHz
	4 only n_ctrl 4 n_ctrl and V/f mixed	0 (Expert) 1 (xLow)	500 µs (p0092 = 1) 400 µs (p0092 = 0)	2 kHz 1.25 kHz
Booksize	> 6 only V/f	0 (Expert)	500 µs	4 kHz
Chassis				2 kHz
Blocksize	1 to 2 only n_ctrl 1 to 4 only V/f	3 (Standard)	250 µs	4 kHz
	> 2 n_ctrl (min. 1) > 4 only V/f	0 (Expert)	500 µs	4 kHz
Caution				
If a Power Module Blocksize is connected to a Control Unit, the sampling times of all vector drives are set according to the rules for Power Modules Blocksize (only 250 µs or 500 µs possible).				

12.13.5 Examples when changing sampling times / pulse frequencies

Example: Changing the current controller sampling time from 62.5 μ s with p0112

Preconditions:

- Maximum 2 drives, booksize format
- Servo motor control type

Procedure:

1. p0009 = 3 (not for offline operation).
2. Switch to the first servo drive object.
3. p0112 = 4.
4. Switch to the second servo drive object and repeat step 3.
5. p0009 = 0 (not for offline operation).
6. When STARTER is in offline mode: Download into the drive.
7. Save the parameter changes in a non-volatile fashion using the function "Copy RAM to ROM" (see also the Commissioning Manual).
8. We recommend that the controller settings are recalculated (p0340 = 4).

Example: Changing the pulse frequency with p0113

Preconditions:

- STARTER is in the online mode.

Assumption:

- A TB30 has been installed.
- Servo motor control type

Procedure:

1. p0009 = 3 (not for offline operation).
2. Switch to the first servo drive object.
3. p0112 = 0.
4. Enter the required minimum pulse frequency in p0113.

If this conflicts with rule 1 for setting the sampling times ("The current controller sampling times of the drive objects (DOs) and the sampling times of the inputs/outputs of the Control Unit, TM, and TB modules must be an integer multiple of 1.25 μ s."), an alarm is

output and a suitable pulse frequency is proposed in p0114. This can be entered in p0113 (remember to take into account the rules for setting the sampling times).

5. Switch to the second servo drive object and repeat steps 3 and 4.
6. Switch to the drive object TB30.
7. Set the three sampling times p4099[0..2] to a multiple of the current controller sampling time of a servo drive.
8. p0009 = 0.
Note: The pulse frequency in p1800 is automatically adapted.
9. Save the parameter changes in a non-volatile fashion using the function "Copy RAM to ROM" (see also the Commissioning Manual).
10. We recommend that the controller settings are recalculated (p0340 = 4).

12.13.6 Overview of important parameters (see SINAMICS S120/S150 List Manual)

- p0009 Device commissioning, parameter filter
- p0092 Isochronous PROFIBUS operation, pre-assignment/check
- p0097 Selects the drive object type
- r0110 [0...2] DRIVE-CLiQ basic sampling times
- p0112 Sampling times pre-setting p0115
- p0113 Selects the minimum pulse frequency
- r0114 Recommended minimum pulse frequency
- p0115[0...6] Sampling times for internal control loops
- r0116 Recommended drive sampling time
- p0118 Current controller computation deadtime
- p0799 CU inputs/outputs sampling time
- p1800 Pulse frequency
- p4099 Inputs/outputs sampling time
- r9780 SI monitoring clock cycle (Control Unit)
- r9880 SI monitoring clock cycle (Motor Module)

12.14 Licensing

Description

To use the SINAMICS S120 drive system and the activated options, you need to assign the corresponding licenses to the hardware. When doing so, you receive a license key, which electronically links the relevant option with the hardware.

The license key is an electronic license stamp that indicates that one or more software licenses are owned.

Actual customer verification of the license for the software that is subject to license is called a certificate of license.

Note

Refer to the order documentation (e.g. catalogs) for information on basic functions and functions subject to license.

An insufficient license is indicated via the following alarm and LED on the Control Unit:

- A13000 License not sufficient
- READY LED Flashes green/red at 0.5 Hz

NOTICE
The drive can only be operated with an insufficient license during commissioning and servicing.
The drive requires a sufficient license in order for it to operate normally.

Information regarding the Performance 1 option (this is not valid for Control Unit CU310)

The Performance 1 option (order number: 6SL3074-0AA01-0AA0) is required from a computation time utilization greater than 50%. The remaining computation time is displayed in parameter r9976[2]. As of a CPU runtime utilization greater than 50%, alarm A13000 is output and the READY LED on the Control Unit flashes green/red at 0.5 Hz.

Properties of the license key

- Is assigned to a specific memory card.
- Is stored retentively on the memory card.
- Is not transferrable.
- Can be acquired using the "WEB License Manager" from a license database.

Generating a license key via the "WEB License Manager"

The following information is required:

- Memory card serial number (printed on the memory card)
- License number, delivery note number, and the license (on the Certificate of License)

1. Call up the "WEB License Manager".

<http://www.siemens.com/automation/license>

2. Choose "Direct access".

3. Enter the license number and delivery note number of the license.

--> Click "Next".

4. Enter memory card serial number.

5. Select the product e.g. "SINAMICS S CU320".

--> Click "Next".

6. Choose "Available license numbers".

--> Click "Next".

7. Check the assignment.

--> Click "Assign".

8. When you are sure that the license has been correctly assigned, click "OK".

9. The license key is displayed and can be entered.

Enter license key in STARTER

With the STARTER commissioning software, the ASCII characters are not entered in code, but the letters and numbers in the license key can be input directly as they appear on the license certificate.

In this case, the ASCII coding is processed by STARTER in the background.

Example of a license key:

E1MQ-4BEA = 69 49 77 81 45 52 66 69 65 dec (ASCII characters)

Procedure for entering a license key (see example):

p9920[0] = E 1st character

...

p9920[8] = A 9th character

Note

When changing p9920[x] to the value 0, all of the following indices are also set to 0.

After the license key has been entered, it has to be activated as follows:

- p9921 = 1 Licensing, activate license key

The parameter is automatically reset to 0

Enter license key with BOP20

If you enter the license key via BOP20, use the ASCII code for the key (example: see above). You can enter the license key characters and the corresponding decimal numbers in the table below.

Table 12- 29 License key table

Letter/number												
decimal												

ASCII code

Table 12- 30 Excerpt of ASCII code

Letter/number	decimal	Letter/number	decimal
-	45	I	73
0	48	J	74
1	49	K	75
2	50	L	76
3	51	M	77
4	52	N	78
5	53	O	79
6	54	P	80
7	55	Q	81
8	56	R	82
9	57	S	83
A	65	T	84
B	66	U	85
C	67	V	86
D	68	W	87
E	69	X	88
F	70	Y	89
G	71	Z	90
H	72	Blanks	32

Overview of important parameters (see SINAMICS S120/S150 List Manual)

- p9920 Licensing, enter license key
- p9921 Licensing, activate license key
- p9976[0...2] Remaining computation time

Appendix

A.1 Availability of hardware components

Table A- 1 Hardware components available as of 03.2006

No.	HW component	Order number	Version	Revisions
1	AC Drive (CU310, PM340)	refer to the Catalog		new
2	SMC30	6SL3055-0AA00-5CA1		with SSI support
3	DMC20	6SL3055-0AA00-6AAx		new
4	TM41	6SL3055-0AA00-3PAx		new
5	SME120 SME125	6SL3055-0AA00-5JAx 6SL3055-0AA00-5KAx		new
6	BOP20	6SL3055-0AA00-4BAx		new
7	CUA31	6SL3040-0PA00-0AAx		new

Table A- 2 Hardware components available as of 08.2007

No.	HW component	Order number	Version	Revisions
1	TM54F	6SL3055-0AA00-3BAx		new
2	Active Interface Module (booksize)	6SL3100-0BExx-xABx		new
3	Basic Line Module (booksize)	6SL3130-1TExx-0AAx		new
4	DRIVE-CLiQ encoder	6FX2001-5xDxx-0AAx		new
5	CUA31 for Safety db11/2	6SL3040-0PA00-0AA1		new
6	CUA32	6SL3040-0PA01-0AAx		new
7	SMC30 (30 mm wide)	6SL3055-0AA00-5CA2		new
8	CU310 for SSI and temperature evaluation on terminal X23	6SL3040-0LA00-0AA1		new

Table A- 3 Hardware components available as of 10.2008

No.	HW component	Order number	Version	Revisions
1	TM31	6SL3055-0AA00-3AA1		new
2	TM41	6SL3055-0AA00-3PA1		new
3	DME20	6SL3055-0AA00-6Bxx		new
4	SMC20 (30 mm wide)	6SL3055-0AA00-5BA2		new
5	Active Interface Module booksize 16 kW	6SL3100-0BE21-6ABx		new

No.	HW component	Order number	Version	Revisions
6	Active Interface Module booksize 36 kW	6SL3100-0BE23-6ABx		new
7	Smart Line Modules booksize compact	6SL3430-6TE21-6AAx		new
8	Motor Modules booksize compact	6SL3420-1TE13-0AAx 6SL3420-1TE15-0AAx 6SL3420-1TE21-0AAx 6SL3420-1TE21-8AAx 6SL3420-2TE11-0AAx 6SL3420-2TE13-0AAx 6SL3420-2TE15-0AAx		new
9	Power Modules blocksize liquid cooled	6SL3215-1SE23-0AAx 6SL3215-1SE26-0AAx 6SL3215-1SE27-5UAx 6SL3215-1SE31-0UAx 6SL3215-1SE31-1UAx 6SL3215-1SE31-8UAx		new
10	Reinforced DC link busbars for 50 mm components	6SL3162-2DB00-0AAx		new
11	Reinforced DC link busbars for 100 mm components	6SL3162-2DD00-0AAx		new

A.2 Availability of SW functions

Table A- 4 New functions FW 2.2

No.	SW function	Servo	Vector	HW component
1	Technology controller	x	x	
2	2 command data sets	-	x	
3	Extended brake control	x	x	
4	Automatic restart for vector and Smart Line Modules 5/10 kW	-	x	
5	The ability to mix servo and vector V/f control modes on one CU	x	x	
6	Regulated V_{DC} link up to 480 V input voltage can be parameterized for Active Line Modules	x	x	
7	Smart Mode for Active Line Modules booksize format	x	x	
8	Extended setpoint channel can be activated	x	-	
9	Evaluation, linear measuring systems	x	-	
10	Synchronous motors 1FT6/1FK6/1FK7 with DRIVE-CLiQ resolver	x	-	

Table A- 5 New functions FW 2.3

No.	SW function	Servo	Vector	HW component
1	Motor data set changeover (8 motor data sets)	x	x	
2	Buffer for faults/alarms	x	x	

No.	SW function	Servo	Vector	HW component
3	Rotor/pole position identification	x	x	
4	Booting with partial topology, parking axis/encoder, de-activating/activating components	x	x	
5	Friction characteristic with 10 points along the characteristic, automatic characteristic plot	x	x	
6	Utilization display	x	x	
7	Evaluation of distance-coded zero marks for higher-level controls	x	-	
8	Hanging/suspended axes/electronic weight equalization for higher-level controls	x	-	
9	SIMATIC S7 OPs can be directly coupled	x	x	
10	PROFIBUS NAMUR standard telegrams	-	x	
11	Parallel connection	-	x	For chassis drive units
12	Edge modulation	x	x	For chassis drive units
13	Servo control type	x	-	also chassis drive units
14	Terminal Module TM15 (DI/DO functionality)	x	x	
15	1FN1, 1FN3 linear motors	x	-	
16	1FW6 torque motors	x	-	
17	1FE1 synchronous built-in motors	x	-	
18	2SP1 synchronous spindles	x	-	
19	1FU8 SIMOSYN Motors	x	-	
20	1FS6 explosion-protected motors	x	-	
21	SME20/25 external Sensor Modules for incremental and absolute encoder evaluation	x	x	

Table A- 6 New functions FW 2.4

No.	SW function	Available since FW	Servo	Vector	HW component
1	SINAMICS S120 functionality for AC DRIVE (CU310DP/PN)	2.4	x	x	
2	Basic positioning	2.4 SP1	x	x	
3	Encoder data set changeover (3 EDS encoder data sets per drive data set)	2.4	x	x	
4	2 command data sets (CDS)	2.4	x	x	
5	Units changeover SI / US / %	2.4	x	x	
6	Motor data identification servo	2.4	x	since FW2.1	
7	Increased torque accuracy for synchronous motors (kt estimator)	2.4	x	-	
8	Hub functionality (hot plugging, distributed encoder, star structure via DMC20)	2.4	x	x	
9	Basic Operator Panel BOP20	2.4	x	x	
10	Evaluation of SSI encoder (SMC30)	2.4	x	x	6SL3055-0AA00-5CA1

No.	SW function	Available since FW	Servo	Vector	HW component
11	Pulse encoder emulation TM41	2.4	x	x	
12	Automatic restart with Active Line Module	2.4	x	x	
13	PROFIBUS extensions: – Peer-to-peer data transfer – Y link – telegram 1 also for servo – telegrams 2, 3, 4 - also for vector	2.4	x x x since FW2.1	x x since FW2.1 x	
14	Safety Integrated Stop category 1 (SS1) with safety-related time	2.4	x	x	
15	Measuring gear	2.4	x	x	
16	Setting the pulse frequency grid in fine steps	2.4	x	x	
17	Controller clock cycles that can be set	2.4	x	x	
18	Possibility of mixing clock cycles on a DRIVE-CLiQ line	2.4	x	x	
19	Clockwise/counter clockwise bit (the same as changing the rotating field)	2.4	x	x	
20	Sensor Module for 1FN, 1FW6 with protective separation (SME120/125)	2.4	x	-	
21	Real time stamps for alarms	2.4	x	x	CU320, 6SL3040-....- 0AA1 and Version C or higher
22	Encoderless closed-loop speed control for torque motors	2.4	-	x	
23	Separately-excited synchronous motors with encoder	2.4	-	x	
24	Drive converter/drive converter, drive converter/line supply (bypass) synchronizing	2.4	x	x	For chassis drive units
25	Voltage Sensing Module (VSM) for Active Line Module	2.4			also for booksize drive units
26	Armature short-circuit braking, synchronous motors	2.4	x	-	
27	CANopen extensions (vector, free process data access, profile DS301)	2.4	x	x	
28	PROFINET IO communication with Option Module CBE20	2.4	x	x	
29	New hardware components are supported (AC DRIVE, SME120/125, BOP20, DMC20, TM41)	2.4	x	x	
30	Position tracking for torque motors (not for EPOS)	2.4	x	x	CU320, 6SL3040-....- 0AA1 and Version C or higher
31	1FW3 torque motors	2.4	x	-	

Table A- 7 New functions FW 2.5 or 2.5 SP1

No.	SW function	Available since FW	Servo	Vector	HW component
1	DCC (Drive Control Chart) with graphical interconnection editor (DCC-Editor): <ul style="list-style-type: none"> graphically configurable modules (logic, calculation and control functions) module types that can be freely instantiated (flexible number of components/devices) can be run on SIMOTION and SINAMICS controllers (DCC SINAMICS, DCC SIMOTION) 	2.5 SP1	x	x	
2	Safety Integrated extended functions: <ul style="list-style-type: none"> Safety functionality integrated in the drive, controllable via PROFIsafe (PROFIBUS) or secure terminal module TM54F STO Safe torque off (previously Safe Standstill (SH)) SBC Safe Brake Control SS1 Safe Stop 1, STO after a delay time has expired, standstill without torque SOS Safe Operating Stop, safe standstill with full torque SS2 Safe Stop 2; SOS after a delay time has expired, standstill with full torque SLS Safely Limited Speed SSM Safe Speed Monitor, safe speed monitor feedback ($n < nx$) on a secure output <p>Note: The Safety Integrated Basic Functions STO and SBC have been implemented since V2.1 and SS1 since V2.4 (control via onboard terminals).</p>	2.5 SP1	x	x	Safety Integrated Extended functions only for: <ul style="list-style-type: none"> Motor Modules (6SL3xxx-xxxxx-0AA3) CUA31 (6SL3040-0PA00-0AA1)
3	EPOS function extensions: <ul style="list-style-type: none"> Traversing blocks / new task: "Travel to fixed stop" Traversing blocks / new continuation conditions: "External block relaying" Completion of position tracking for absolute encoder (load gear) Jerk limitation "Set reference point" also with intermediate stop (Traversing blocks and MDI) Reversing cam functionality also with reference run without reference cam 	2.5	x	x	
4	Support of new motor series/types <ul style="list-style-type: none"> 1FT7 (synchronous servo motor) 1FN3 continuous load (linear motor for continuous load) 1PL6 (functionality released since V2.1, now available as list motor) 	2.5	x	1PL6 only	
5	Support of new components <ul style="list-style-type: none"> Basic Line Module (BLM) in booksize format 	2.5	x	x	

No.	SW function	Available since FW	Servo	Vector	HW component
6	Support of new components <ul style="list-style-type: none"> Active Interface Module (AIM), booksize format TM54F (Terminal Module Failsafe) CUA32 (Control Unit Adapter for PM340) DRIVE-CLiQ encoder (machine encoder) 	2.5 SP1	x	x	
7	Save data (motor and encoder data) from the Sensor Module on motor with DRIVE-CLiQ to memory card and load to "empty" Sensor Module	2.5	x	x	
8	Evaluation of SSI encoders on AC Drive Controller CU310 (onboard interface)	2.5 SP1	x	x	only for CU310 (6SL3040-0LA00-0AA1)
9	Edge modulation (higher output voltages) in the vector control type, also with booksize devices	2.5	-	x	only for Motor Modules (6SL3xxx-xxxxx-0AA3)
10	DC braking	2.5 SP1	x	x	
11	Armature short-circuit: Internal	2.5 SP1	x	x	
12	Armature short-circuit: Intermittent voltage protection	2.5	x	-	only for Motor Modules (6SL3xxx-xxxxx-0AA3)
13	Automatic firmware update for DRIVE-CLiQ components	2.5	x	x	
14	Save STARTER project directly to memory card	2.5	x	x	
15	The terminal area for booksize infeeds (BLM, SLM, ALM) can be parameterized to 230 V 3 AC	2.5 SP1	x	x	only for infeeds in booksize format (6SL3xxx-xxxxx-0AA3)
16	Automatic speed controller setting	2.5	x	since FW2.1	
17	Technological pump functions	2.5	-	x	
18	Simultaneous cyclical operation of PROFIBUS and PROFINET on CU320	2.5 SP1	x	x	
19	Automatic restart also with servo	2.5 SP1	x	since FW2.2	
20	Operates at 500 μ s PROFINET I/O	2.5 SP1	x	-	
21	Absolute position information (X_IST2) with resolver	2.5	x	x	
22	DC link voltage monitoring depending on the line voltage	2.5	x	x	
23	Automatic line frequency detection	2.5	x	x	
24	Acceleration signal at the ramp-function generator output	2.5	x	x	
25	Reset the drive device via parameter (p0972)	2.5	x	x	
26	Alteration of the basic sampling time during the automatic readjustment of the sampling times depending on the number of drives on CU320 with vector (from 400 μ s to 500 μ s)	2.5	-	x	
27	Dynamic energy management, extension of the Vdc_min, Vdc_max control	2.5	x	x	

No.	SW function	Available since FW	Servo	Vector	HW component
28	Endless trace	2.5	x	x	
29	Extended PROFIBUS monitoring with timer and binector	2.5	x	x	
30	Indexed actual value acquisition Simultaneous evaluation of multiple encoders	2.5 SP1	x	x	

Table A- 8 New functions FW 2.6

No.	SW function	Available since FW	Servo	Vector	HW component
1	Offset pulsing in the synchronous drive line-up	2.6	x	x	
2	Safety Integrated extended functions: Internal armature short circuit and integrated voltage protection	2.6	x	x	Safety Integrated Extended functions only for: <ul style="list-style-type: none"> Motor Modules (6SL3xxx-xxxxx-xxx3) CUA31 (6SL3040-0PA00-0AA1)
3	PROFIsafe via PROFINET	2.6	x	x	
4	Pulse frequency wobbling	2.6	-	x	Motor Modules in chassis format: (6SL3xxx-xxxxx-xxx0))
5	Position control load gear with multiple drive data sets (DDS)	2.6	x	x	
6	Sensorless vector control (SLVC), New closed-loop control for passive loads	2.6	-	x	
7	Variable signaling function	2.6	x	-	
8	Quick magnetization for induction motors	2.6		x	
9	Flux reduction for induction motors	2.6	x	-	
10	Component status display	2.6	x	x	
11	Downgrade disable	2.6	x	x	
12	Parallel connection of motors	2.6	x	x	
13	Parallel connection of Motor Modules	2.6	-	x	
14	Parallel connection of power units	2.6	x	x	
15	Master/slave function for infeeds	2.6	x	x	
16	Thermal motor monitoring I2t model for synchronous motors	2.6	x	-	
17	New PROFIdrive telegrams 116, 118, 220, 371	2.6	x	x	
18	New RT classes for PROFINET IO	2.6	x	x	
19	Use of bidirectional inputs/outputs on the CU	2.6	x	x	
20	Autonomous operating mode for DRIVE-CLiQ components	2.6	x	x	
21	Central signal for "ready for switching on" state on drive object	2.6	x	x	

A.3 List of abbreviations

Note

The following list of abbreviations includes all abbreviations and their meanings used in the entire SINAMICS user documentation.

Abbreviation	Meaning, German	Meaning, English
A		
A...	Warnung	Alarm
AC	Wechselstrom	Alternating Current
ADC	Analog-Digital-Konverter	Analog Digital Converter
AI	Analogeingang	Analog Input
AIM	Active Interface Module	Active Interface Module
ALM	Active Line Module	Active Line Module
AO	Analogausgang	Analog Output
AOP	Advanced Operator Panel	Advanced Operator Panel
APC	Advanced Positioning Control	Advanced Positioning Control
ASC	Ankerkurzschluss	Armature Short-Circuit
ASCII	Amerikanische Code-Norm für den Informationsaustausch	American Standard Code for Information Interchange
ASM	Asynchronmotor	Induction motor
B		
BB	Betriebsbedingung	Operating condition
BERO	Firmenname für einen Näherungsschalter	Tradename for a type of proximity switch
BI	Binektoreingang	Binector Input
BIA	Berufsgenossenschaftliches Institut für Arbeitssicherheit	German Institute for Occupational Safety
BICO	Binektor-Konnektor-Technologie	Binector Connector Technology
BLM	Basic Line Module	Basic Line Module
BOP	Basic Operator Panel	Basic Operator Panel
C		
C	Kapazität	Capacitance
C...	Safety-Meldung	Safety message
CAN	Serielles Bussystem	Controller Area Network
CBC	Kommunikationsbaugruppe CAN	Communication Board CAN
CD	Compact Disc	Compact Disc
CDS	Befehlsdatensatz	Command Data Set
CF	CompactFlash	CompactFlash
CI	Konnektoreingang	Connector Input
CNC	Computerunterstützte numerische Steuerung	Computer Numerical Control
CO	Konnektorausgang	Connector Output
CO/BO	Konnektor-/Binektorausgang	Connector Output/Binector Output

Abbreviation	Meaning, German	Meaning, English
COB-ID	CAN Object-Identification	CAN Object-Identification
COM	Mittelkontakt eines Wechselkontaktes	Common contact of a change-over relay
CP	Kommunikationsprozessor	Communications Processor
CPU	Zentrale Recheneinheit	Central Processing Unit
CRC	Checksummenprüfung	Cyclic Redundancy Check
CSM	Control Supply Module	Control Supply Module
CU	Control Unit	Control Unit
D		
DAC	Digital-Analog-Konverter	Digital Analog Converter
DC	Gleichstrom	Direct Current
DCB	Drive Control Block	Drive Control Block
DCC	Drive Control Chart	Drive Control Chart
DCN	Gleichstrom negativ	Direct Current Negative
DCP	Gleichstrom positiv	Direct Current Positive
DDS	Antriebsdatensatz	Drive Data Set
DI	Digitaleingang	Digital Input
DI/DO	Digitaleingang/-ausgang bidirektional	Bidirectional Digital Input/Output
DMC	DRIVE-CLiQ Module Cabinet (Hub)	DRIVE-CLiQ Module Cabinet (Hub)
DO	Digitalausgang	Digital Output
DO	Antriebsobjekt	Drive Object
DP	Dezentrale Peripherie	Decentralized Peripherals (Distributed I/Os)
DPRAM	Speicher mit beidseitigem Zugriff	Dual-Port Random Access Memory
DRAM	Dynamischer Speicher	Dynamic Random Access Memory
DRIVE-CLiQ	Drive Component Link with IQ	Drive Component Link with IQ
DSC	Dynamic Servo Control	Dynamic Servo Control
D		
EASC	Externer Ankerkurzschluss	External Armature Short-Circuit
EDS	Geberdatensatz	Encoder Data Set
EGB	Elektrostatisch gefährdete Baugruppen	Electrostatic Sensitive Devices (ESD)
ELP	Erdschlussüberwachung	Earth Leakage Protection
EMK	Elektromagnetische Kraft	Electromagnetic Force (EMF)
EMV	Elektromagnetische Verträglichkeit	Electromagnetic Compatibility (EMC)
EN	Europäische Norm	European Standard
EnDat	Geber-Schnittstelle	Encoder-Data-Interface
EP	Impulsfreigabe	Enable Pulses
EPOS	Einfachpositionierer	Basic positioner
ES	Engineering System	Engineering System
ESB	Ersatzschaltbild	Equivalent circuit diagram
ESR	Erweitertes Stillsetzen und Rückziehen	Extended Stop and Retract
F		
F...	Störung	Fault

Abbreviation	Meaning, German	Meaning, English
FAQ	Häufig gestellte Fragen	Frequently Asked Questions
FBL	Freie Funktionsblöcke	Free Blocks
FCC	Function Control Chart	Function Control Chart
FCC	Flussstromregelung	Flux Current Control
F-DI	Fehlersicherer Digitaleingang	Failsafe Digital Input
F-DO	Fehlersicherer Digitalausgang	Failsafe Digital Output
FEM	Fremderregter Synchronmotor	Separately excited synchronous motor
FEPROM	Schreib- und Lesespeicher nichtflüchtig	Flash-EPROM
FG	Funktionsgenerator	Function Generator
FI	Fehlerstrom-Schutzschalter	Earth Leakage Circuit-Breaker (ELCB)
FP	Funktionsplan	Function diagram
FPGA	Field Programmable Gate Array	Field Programmable Gate Array
FW	Firmware	Firmware
G		
GB	Gigabyte	Gigabyte
GC	Global-Control-Telegramm (Broadcast-Telegramm)	Global Control Telegram (Broadcast Telegram)
GSD	Gerätestammdatei: beschreibt die Merkmale eines PROFIBUS-Slaves	Device master file: describes the features of a PROFIBUS slave
GSV	Gate Supply Voltage	Gate Supply Voltage
GUID	Globally Unique Identifier	Globally Unique Identifier
H		
HF	Hochfrequenz	High Frequency
HFD	Hochfrequenzdrossel	High frequency reactor
HLG	Hochlaufgeber	Ramp-function generator
HMI	Mensch-Maschine-Schnittstelle	Human Machine Interface
HTL	Logik mit hoher Störschwelle	High-Threshold Logic
HW	Hardware	Hardware
I		
i. V.	In Vorbereitung: diese Eigenschaft steht zur Zeit nicht zur Verfügung	In preparation: this feature is currently not available
I/O	Eingang/Ausgang	Input/Output
IASC	Interner Ankerkurzschluss	Internal Armature Short-Circuit
IBN	Commissioning	Commissioning
ID	Identifizierung	Identifier
IEC	Internationale Norm in der Elektrotechnik	International Electrotechnical Commission
IF	Interface	Interface
IGBT	Bipolartransistor mit isolierter Steuerelektrode	Insulated Gate Bipolar Transistor
IL	Impulslöschung	Pulse suppression
IPO	Interpolatortakt	Interpolator clock
IT	Drehstromversorgungsnetz ungeerdet	Insulated three-phase supply network
IVP	Interner Spannungsschutz	Internal Voltage Protection
J		
JOG	Tippen	Jogging

Abbreviation	Meaning, German	Meaning, English
K		
KDV	Kreuzweiser Datenvergleich	Data cross-checking
KIP	Kinetische Pufferung	Kinetic buffering
Kp	Proportionalverstärkung	Proportional gain
KTY	Spezieller Temperatursensor	Special temperature sensor
L		
L	Induktivität	Inductance
LED	Leuchtdiode	Light Emitting Diode
LIN	Linearmotor	Linear motor
LR	Lageregler	Position controller
LSB	Niederwertiges Bit	Least Significant Bit
LSS	Netzschalter	Line Side Switch
LU	Längeneinheit	Length Unit
LWL	Lichtwellenleiter	Fiber-optic cable
M		
M	Masse	Reference potential, zero potential
MB	Megabyte	Megabyte
MCC	Motion Control Chart	Motion Control Chart
MDS	Motordatensatz	Motor Data Set
MLFB	Maschinenlesbare Fabrikatebezeichnung	Machine-readable product designation
MMC	Mensch-Maschine-Kommunikation	Man-Machine Communication
MSB	Höchstwertiges Bit	Most Significant Bit
MSCY_C1	Zyklische Kommunikation zwischen Master (Klasse 1) und Slave	Master Slave Cycle Class 1
MSC	Motorstromrichter	Motor power converter
MT	Messtaster	Measuring probe
N		
N. C.	Nicht angeschlossen	Not Connected
N...	Keine Meldung oder Interne Meldung	No Report
NAMUR	Normenarbeitsgemeinschaft für Mess- und Regeltechnik in der chemischen Industrie	Standardization association for instrumentation and control in the chemical industry
NC	Öffner	Normally Closed (contact)
NC	Numerische Steuerung	Numerical Control
NEMA	Normengremium in USA (United States of America)	National Electrical Manufacturers Association
NM	Nullmarke	Zero Mark
NO	Schließer	Normally Open (contact)
NSR	Netzstromrichter	Line power converter
O		
OA	Open Architecture	Open Architecture
OEM	Original Equipment Manufacturer	Original Equipment Manufacturer
OLP	Busstecker für Lichtleiter	Optical Link Plug
OMI	Option Module Interface	Option Module Interface
P		

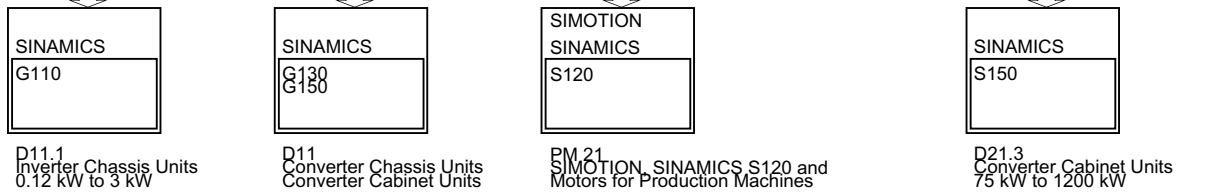
Abbreviation	Meaning, German	Meaning, English
p...	Einstellparameter	Adjustable parameter
PB	PROFIBUS	PROFIBUS
PcCtrl	Steuerungshoheit	Master Control
PD	PROFIdrive	PROFIdrive
PDS	Leistungsteildatensatz	Power Unit Data Set
PE	Schutzerde	Protective Earth
PELV	Schutzkleinspannung	Protective Extra Low Voltage
PEM	Permanenterregter Synchronmotor	Permanent-magnet synchronous motor
PG	Programmiergerät	Programming terminal
PI	Proportional Integral	Proportional Integral
PID	Proportional Integral Differential	Proportional Integral Differential
PLC	Speicherprogrammierbare Steuerung (SPS)	Programmable Logic Controller (PLC)
PLL	Phase Locked Loop	Phase Locked Loop
PNO	PROFIBUS Nutzerorganisation	PROFIBUS user organization
PPI	Punkt zu Punkt Schnittstelle	Point to Point Interface
PRBS	Weißes Rauschen	Pseudo Random Binary Signal
PROFIBUS	Serieller Datenbus	Process Field Bus
PS	Stromversorgung	Power Supply
PSA	Power Stack Adapter	Power Stack Adapter
PTC	Positiver Temperaturkoeffizient	Positive Temperature Coefficient
PTP	Punkt zu Punkt	Point-To-Point
PWM	Pulsweitenmodulation	Pulse Width Modulation
PZD	PROFIBUS Prozessdaten	PROFIBUS process data
R		
r...	Beobachtungsparameter (nur lesbar)	Display parameter (read only)
RAM	Speicher zum Lesen und Schreiben	Random Access Memory
RCCB	Fehlerstrom-Schutzschalter	Residual Current Circuit Breaker
RCD	Fehlerstrom-Schutzschalter	Residual Current Device
RJ45	Norm. Beschreibt eine 8-polige Steckverbindung mit Twisted-Pair Ethernet.	Standard. Describes an 8-pole plug connector with twisted pair Ethernet.
RKA	Rückkühlanlage	Recooling system
RO	Nur lesbar	Read Only
RPDO	Receive Process Data Object	Receive Process Data Object
RS232	Serielle Schnittstelle	Serial Interface
RS485	Norm. Beschreibt die Physik einer digitalen seriellen Schnittstelle.	Standard. Describes the physical characteristics of a digital serial interface.
RTC	Echtzeituhr	Real Time Clock
RZA	Raumzeigerapproximation	Space vector approximation (SVA)
S		
S1	Dauerbetrieb	Continuous operation
S3	Aussetzbetrieb	Periodic duty
SBC	Sichere Bremsenansteuerung	Safe Brake Control
SBH	Sicherer Betriebshalt	Safe Operating Stop

Abbreviation	Meaning, German	Meaning, English
SBR	Sichere Beschleunigungsüberwachung	Safe Acceleration Monitor
SCA	Sichere Nocke	Safe Cam
SE	Sicherer Software-Endschalter	Safe software limit switch
SG	Sicher reduzierte Geschwindigkeit	Safely reduced speed
SGA	Sicherheitsgerichteter Ausgang	Safety-related output
SGE	Sicherheitsgerichteter Eingang	Safety-related input
SH	Sicherer Halt	Safety standstill
SI	Safety Integrated	Safety Integrated
SIL	Sicherheitsintegritätsgrad	Safety Integrity Level
SLM	Smart Line Module	Smart Line Module
SLP	Sicher begrenzte Position	Safely Limited Position
SLS	Sicher begrenzte Geschwindigkeit	Safely Limited Speed
SLVC	Geberlose Vektorregelung	Sensorless Vector Control
SM	Sensor Module	Sensor Module
SMC	Sensor Module Cabinet	Sensor Module Cabinet
SME	Sensor Module External	Sensor Module External
SN	Sicherer Software-Nocken	Safe software cam
SOS	Sicherer Betriebshalt	Safe Operating Stop
SPC	Sollwertkanal	Setpoint Channel
SPS	Speicherprogrammierbare Steuerung	Programmable Logic Controller (PLC)
SS1	Sicherer Stop 1	Safe Stop 1
SS2	Sicherer Stop 2	Safe Stop 2
SSI	Synchron Serielle Schnittstelle	Synchronous Serial Interface
SSM	Sichere Rückmeldung der Geschwindigkeitsüberwachung ($n < nx$)	Safe Speed Monitor
SSR	Sichere Bremsrampe	Safe Stop Ramp
STO	Sicher abgeschaltetes Moment	Safe Torque Off
STW	PROFIBUS Steuerwort	PROFIBUS control word
T		
TB	Terminal Board	Terminal Board
TIA	Totally Integrated Automation	Totally Integrated Automation
TM	Terminal Module	Terminal Module
TN	Drehstromversorgungsnetz geerdet	Grounded three-phase supply network
Tn	Nachstellzeit	Integral time
TPDO	Transmit Process Data Object	Transmit Process Data Object
TT	Drehstromversorgungsnetz geerdet	Grounded three-phase supply network
TTL	Transistor-Transistor-Logik	Transistor-Transistor Logic
Tv	Vorhaltezeit	Derivative-action time
U		
UL	Underwriters Laboratories Inc.	Underwriters Laboratories Inc.
USV	Unterbrechungsfreie Stromversorgung	Uninterruptible Power Supply (UPS)
V		

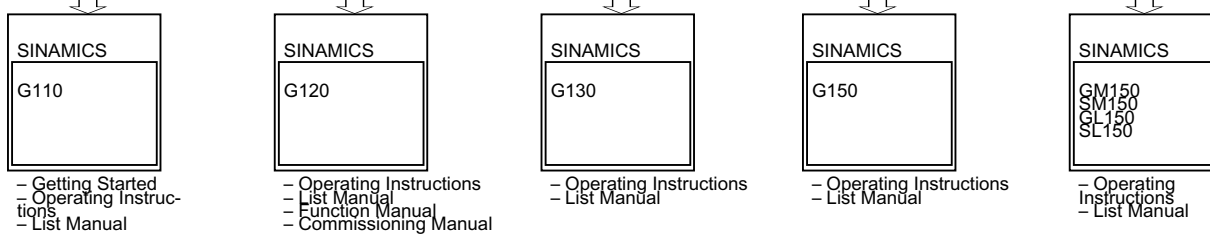
Abbreviation	Meaning, German	Meaning, English
VC	Vektorregelung	Vector Control
Vdc	Zwischenkreisspannung	DC link voltage
VdcN	Teilzwischenkreisspannung negativ	Partial DC link voltage negative
VdcP	Teilzwischenkreisspannung positiv	Partial DC link voltage positive
VDE	Verband Deutscher Elektrotechniker	Association of German Electrical Engineers
VDI	Verein Deutscher Ingenieure	Association of German Engineers
Vpp	Volt Spitze zu Spitze	Volt peak to peak
VSM	Voltage Sensing Module	Voltage Sensing Module
W		
WEA	Wiedereinschaltautomatik	Automatic restart
WZM	Werkzeugmaschine	Machine tool
X		
XML	Erweiterbare Auszeichnungssprache (Standardsprache für Web-Publishing und Dokumentenmanagement)	Extensible Markup Language
Z		
ZK	Zwischenkreis	DC Link
ZSW	PROFIBUS Zustandswort	PROFIBUS status word

SINAMICS documentation overview (10/2008)

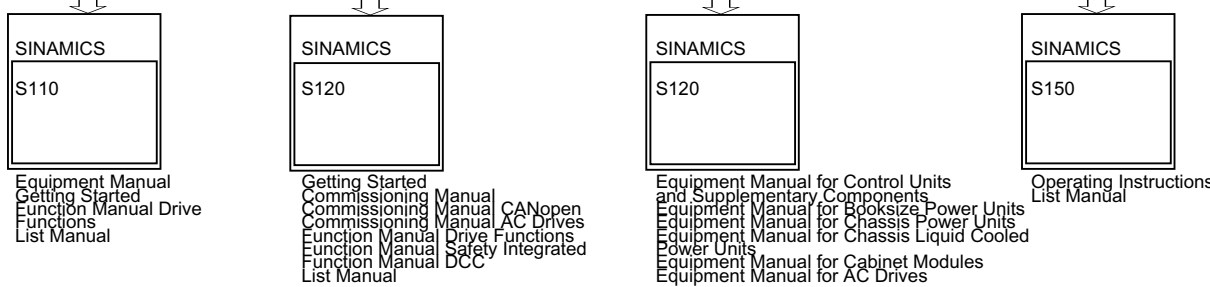
General documentation/catalogs



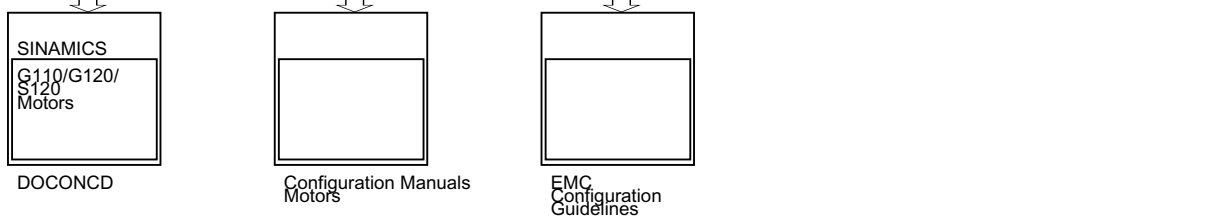
Manufacturer/Service Documentation



Manufacturer/Service Documentation



Manufacturer/Service Documentation



If you come across any misprints in this document, please let us know using this form. We would also be grateful for any suggestions and recommendations for improvement.

To: SIEMENS AG I DT MC MS1 P.O. Box 3180 D-91050 Erlangen, Federal Republic of Germany Fax: +49 (0) 9131 / 98 - 2176 (documentation) mailto:docu.motioncontrol@siemens.com http://www.siemens.com/automation/service&support	From
	Name:
	Address of your Company/Dept.
	Street:
	Postal code: Location:
	Phone: /
Fax: /	

Suggestions and/or corrections

Index

"

"Ready for switching on" state
XDEVICE_RTS, 465

A

Absolute encoder
 Adjusting, 295
Absolute encoder adjustment, 271
Acceleration pre-control, 554
Acceptance certificate, 389
Acceptance test, 389
 SBC, 396
 SS1 (time controlled), 394
 STO, 393
Access levels, 565
Active Infeed closed-loop control, 21, 25
Active Line Modules
 Parallel connection, 330
actual value acquisition
 indexed, 270
Actual values
 Parallel encoders, 271
Address
 License manager on the Internet, 638
 Setting the PROFIBUS address, 492
Adjusting
 Absolute encoder, 295
Ambient temperature, 559
Analog inputs
 Properties, 585
 Signal processing, 585
Analog outputs
 Properties, 587
 Signal processing, 587
Analog setpoint
 Communication, 340
Application classes, 407
Armature short-circuit
 Internal, 214
Armature short-circuit brake, 211
Armature short-circuit braking
 external, 212
 Internal, 213
ASCII code

Licensing, 640
Automatic encoder adjustment
 Vector, 164
Automatic restart, 208
Autonomous operation, 623
Axial winder, 551
Axis
 Suspended/hanging, 116

B

Basic Infeed open-loop control, 37
Basic Line Modules
 Parallel connection, 324
Basic positioner, 285
Basic positioning
 Referencing, 294
BICO technology
 Converters, 578
 Fixed values, 578
 Interconnecting signals, 575
 What is it?, 574
Bidirectional inputs/outputs
 Resource sharing, 584
Binector, 574
BOP20
 Control word, drive, 597
Brake
 Braking resistor, 218
Brake control
 Basic, 224
 extended, 256
Buffer protection
 Chassis, 44
Bypass
 Vector, 174

C

Calculation example for braking resistor, 219
Cam controllers, 280
Central probe
 Example, 467
Certificate of license, 638
Chassis
 Power units, 559
Chip temperature, 559

Closed-loop position control, 267
 Commissioning
 Safety Integrated, 381
 Communication
 about PROFIdrive, 405
 via PROFIBUS, 486
 Component replacement
 Examples, 598
 Connector, 575
 Controller setting, automatic
 Servo, 90
 Cooling unit
 Function module, 262
 Current controller (vector)
 Current controller adaptation, 145
 Current distribution factor, 343
 Current setpoint, 343
 Current setpoint filter
 Servo, 82
 Vector, 145

D

Data cross-check, 359
 Data sets
 Command data set (CDS), 566
 Drive data set (DDS), 567
 Encoder data set (EDS), 568
 Motor data set (MDS), 569
 Data transfer
 PROFINET, 522
 DC brake, 215
 DC breaker, 339
 DC link voltage
 Monitoring, 217
 DCC axial winder, 551
 DCP flashing, 523
 DDS switchover
 with load gear position tracking, 276
 Derating function, 559
 Determining the axis number, 479
 Determining the object number, 479
 Determinism, 519
 Device identification, 493
 Device name, 521
 Diagnostics function
 V/f control for servo control, 87
 Digital inputs
 Bidirectional, 583
 If they are not functioning, 581
 Properties, 581
 Signal processing, 581

Digital outputs
 Bidirectional, 583
 Properties, 582
 Signal processing, 582
 Direct setpoint input (MDI), 311
 Direction reversal, 207
 Directives, 357
 dn/dt monitoring
 SMC 30, 550
 Downgrade disable, 246
 Drive object, 573
 Drive Object, 573
 DRIVE-CLiQ
 Autonomous operation, 623
 Emergency mode, 623
 Wiring rules, 606
 DRIVE-CLiQ at the motor, (see SINAMICS Sensor
 Module Integrated)
 DRIVE-CLiQ encoder, 296
 DRIVE-CLiQ Hub
 DMC20, 544
 Droop, 135
 dv/dt filter, 204
 Dynamic Servo Control, 109

E

EDS
 Encoder, 568
 Efficiency optimization
 Vector, 153
 Electronic rating plate, 604
 EMF
 Electromotive force, 217
 Encoder interface, 452
 Find reference mark, 455
 Flying measurement, 456
 Encoder range, 232
 encoders
 External, 111
 EPOS, 285
 Direct setpoint input (MDI), 311
 Flying referencing, 299
 Intermediate stop, 304, 313
 Jog, 314
 Limits, 290
 Mechanical system, 287
 Reject traversing task, 304, 313
 Traversing blocks, 303
 Example
 PROFIBUS telegram structure, 488
 Setting the PROFIBUS address, 492

Extended torque control, 265

F

FAULT_CODE, 450
 Find reference mark, 455
 Fixed setpoints, 51
 Fixed speed setpoints, 51
 Flying measurement, 456
 Flying referencing
 EPOS, 299
 Flying restart, 166
 Following error monitoring
 Dynamic, 280
 Forced dormant error detection, 365
 Formula for braking resistor, 218
 Free telegrams, 413
 Friction characteristic
 Technology function, 223
 Function blocks
 DCC axial winder, 551
 Function module
 Closed-loop position control, 267
 Cooling unit, 262
 Extended brake control, 256
 Function modules, 249
 Braking Module, 261
 Extended monitoring functions, 254
 Extended torque control, 265
 Technology controller, 250
 Functions
 Fixed speed setpoints, 51
 Jog, 47
 Motorized potentiometer, 52
 Safe brake control (SBC), 373
 Safe Torque Off, 368
 Servo control, 65
 Travel to fixed stop, 112
 V/f control for servo control, 87

H

Heat-sink temperature, 559
 Hot plugging
 DRIVE-CLiQ, 545
 Hotline, 7

I

I2t motor model, 353
 IEC61000-2-4 standard, 23

Induction motors

 DC brake, 213, 215
 Quick magnetization, 154

Infeed

 12-pulse, 324
 6-pulse, 324
 Basic Infeed, 37
 Pre-charging, 324

Infeed concepts, 323

Infeeds

 Master/slave, 344

Inputs/outputs

 Overview, 580

Integrated voltage protection

 Configuration, 219
 Motor Module, 217
 Requirements, 218
 Safety information, 219
 Troubleshooting, 221

Interconnecting signals using BICO technology, 575

Interconnection using BICO technology, 575

Interlock levels

 Firmware, 246

Intermediate stop

 EPOS, 304, 313

Internal armature short-circuit, 370

IO controller, 518

IO device, 518

IO supervisor, 518

IRT, 525

 Comparison with RT, 527

IRT, 526

IRT, 526

IRT*, 525

IRT^{top}, 526

IVP, 217

J

Jerk limitation, 292

Jog, 47

 EPOS, 314

JOG

 Jog, 47

K

Kinetic buffering, 32, 106, 142, 190

kT estimator

 Servo, 265

L

- License key, 638
- License manager, 638
- Licensing, 638
 - ASCII code, 640
- Limits
 - Torque setpoint, 74
- Line contactor control, 42
- Line supply and DC link identification routine, 344
- Load gear, 276

M

- Main/supplementary setpoint, 54
- Manufacturer-specific telegrams, 412
- Master/slave infeeds
 - Activation of the function, 344
 - Current distribution factor, 343
 - Description of the function module, 340
 - Function diagram, 342
 - Operating principle, 336
 - Protocols, 339
 - Topology, 338
 - VDC-link control band, 343
- Max. EMF, 219
- Maximum acceleration, 290
- Maximum deceleration, 290
- Maximum velocity, 290
- Measuring gear, 234
- Memory card
 - SINAMICS Sensor Module Integrated data backup, 601
- Modular machine concept, 200
- Moment of inertia, 553, 554
- Monitoring cycle, 359
- Monitoring functions
 - extended, 254
- Motion Control with PROFIBUS, 469
- Motion monitoring functions
 - Safe motion monitoring, 363
- Motor changeover, 539
- Motor identification, 147
- Motor Module
 - Integrated voltage protection, 217
- Motor Modules
 - Derating, 559
 - Parallel connection, 321, 331
- Motor with DRIVE-CLiQ, (see SINAMICS Sensor Module Integrated)
- Motorized potentiometer, 52
- Motors
 - Parallel connection, 318
 - Single winding system, 333
 - Two-winding system, 332

- Multiturn encoder, 232

N

- Number of controllable drives
- Notes, 626

O

- OFF3
 - Torque limits, 222
- Operating hours counter, 227
- Operating temperature, 559
- Operation without an encoder
 - Servo, 91
- Output current
 - Power units, 559

P

- Parallel connection
 - Active Line Modules, 330
 - Basic Line Modules, 324
 - Motor Modules, 321, 331
 - Motors, 318
 - Power units, 321, 323
 - Smart Line Modules, 328
- Parameterization
 - using the BOP, 588
- Parameters
 - Categories, 563
 - Types, 563
- Pole position identification
 - Servo, 102
 - Vector, 165
- Position controller, 279
 - Monitoring functions, 280
- Position tracking, 234, 276
 - Load gear, 272
 - Measuring gear, 232
- Positioning monitoring, 280
- Power Modules
 - Derating, 559
- Power unit
 - Overload, 559
- Power units
 - Parallel connection, 321, 323
- Pre-charging contactor

- Chassis, 44
- Pre-control
 - speed, 131
- probe
 - central, 467
- Process data, 417
- Process data, actual values
 - E_DIGITAL, 435
 - G1_XIST1, 435, 458
 - G1_XIST2, 435, 459
 - G2_XIST1, 435, 461
 - G2_XIST2, 435, 461
 - G3_XIST1, 435
 - G3_XIST2, 435
 - IAIST_GLATT, 435
 - ITIST_GLATT, 435
 - MIST_GLATT, 435
 - NACT_A, 435, 443
 - NACT_B, 435, 443
 - NIST_A_GLATT, 435
 - PIST_GLATT, 435
- Process data, control words
 - A_DIGITAL, 411, 419, 463
 - CU_STW1, 420, 462
 - E_STW1, 420, 432
 - E_STW1_BM, 420
 - G1_STW, 411, 419
 - G2_STW, 411, 419, 456
 - G3_STW, 411, 419
 - Gn_STW, 452
 - M_ADD, 420
 - M_LIM, 420
 - MDI_ACC, 419, 431
 - MDI_DEC, 431
 - MDI_MOD, 419, 420, 431, 432
 - MDI_TARPOS, 431
 - MDI_VELOCITY, 431
 - MDIDEC, 419
 - MDITARPOS, 419
 - MDIVELOCITY, 419
 - MT_STW, 411, 420, 464
 - OVERRIDE, 420, 431
 - POS_STW, 420, 428
 - POS_STW1, 420
 - POS_STW2, 420
 - SATZANW, 419, 428
 - STW1, 411, 419, 420
 - STW1 (positioning mode), 422
 - STW1_BM, 420
 - STW2, 411, 419, 423
 - STW2_BM, 420
- Process data, setpoints
 - KPC, 411, 419, 427
 - MOMRED, 411, 420, 427
 - NSOLL_A, 411, 419, 426
 - NSOLL_B, 411, 419, 426
 - XERR, 411, 419, 426
- Process data, status words
 - AIST_GLATT, 435
 - AKTSATZ, 435
 - CU_ZSW1, 464
 - E_DIGITAL, 466
 - E_ZSW1, 436, 450
 - E_ZSW1_BM, 436
 - G1_ZSW, 435
 - G2_ZSW, 435, 461
 - G3_ZSW, 435
 - Gn_ZSW, 457
 - MELD_NAMUR, 446
 - MELDW, 435, 444
 - MSOLL_GLATT, 435
 - MT_ZSW, 436, 467
 - MT1_ZS_F, 436
 - MT1_ZS_S, 436
 - MTx_ZS_F, 436
 - MTx_ZS_S, 436
 - POS_ZSW, 436, 447
 - POS_ZSW1, 436
 - POS_ZSW2, 436
 - XIST_A, 435
 - ZSW1, 435, 436
 - ZSW1_BM, 436
 - ZSW2, 435, 440
- PROFIBUS, 486
 - Device identification, 493
 - Device master file, 493
 - Interface Mode, 418
 - Master class 1 and 2, 486
 - Motion Control with PROFIBUS, 469
 - Setting the address, 492
 - Sign of life, 501, 534
 - Slave-to-slave communication, 502
 - Telegrams, 412
 - Terminating resistor, 494
- PROFIBUS slave-to-slave communication, 339
- PROFIBUS telegram structure, 488
- PROFIdrive, 405
 - Controller, Supervisor, Drive Unit, 405
 - read parameters, 480
 - Write parameter, 482
- PROFINET
 - Data transfer, 522
- PROFINET interface, 522
- PROFINET IO, 518

- Addresses, 520
 - Device selection, 530
 - IRT, 526
 - IRT*, 526
- PROFINET IO with IRT, 520
- PROFINET IO with RT, 520
- PROFINET variants, 531
- Protocols
 - Master/slave infeeds, 339
- PTC motor temperature sensor
 - Thermal motor monitoring, 353
- Pulse encoder emulation, 238
- Pulse frequency, 559
- Pulse frequency wobbling, 205
- Pulse number correction
 - SMC30, 549

Q

- Quick magnetization
 - Induction motors, 154

R

- ramp-function generator, extended, 59
- Ramp-up with partial topology, 200
- Rating plate, electronic, 604
- Real-time communication, 519
- Redundancy
 - Power unit, 173
- Reference model, 131
- Reference variables
 - disabling/protecting, 197
- Referencing
 - Basic positioning, 294
- Requirements
 - Extended Functions, 360
- Response times, 376
- RT
 - Comparison with IRT, 527
- RT class, 525
 - Set, 527
- RT classes
 - Send cycles, 528
 - Update cycles, 528
- RT communication, 525

S

- Safe Brake Control
 - SBC, 373

- Safe Stop 1
 - SS1, 371
 - time controlled, 371
- Safe Torque Off
 - STO, 368
- Safety Integrated, 362
 - Acceptance certificate, 389
 - Acceptance test, 389
 - Acknowledging faults, 388
 - Commissioning, 381
 - Component replacement, 382
 - Password, 363
 - Safe brake control (SBC), 373
 - Safe Stop 1, 371
 - Safe Torque Off, 368
 - Standard commissioning, 382
- Safety Integrated Basic Functions
 - Stop responses, 387
- Safety Integrated password, 363
- Safety logbook, 390
- Sampling times, 629
- SBC
 - Acceptance test, 396
 - Safe Brake Control, 373
- Sequence of objects in the telegram, 487
- Servo
 - Automatic controller setting, 90
 - Encoderless operation, 91
 - Vdc control, 106
- Servo control, 65
 - Activate setpoint channel, 45
 - Comparison with vector control, 65, 120
 - Current controller, 79
 - Features, 65, 120
 - Optimization, 90
 - Speed controller, 68
 - Torque setpoint, 74
 - Torque-controlled operation, 72
 - Travel to fixed stop, 112
 - V/f control, 87
- Servo current controller
 - Closed-loop current control, 79
 - Current and torque limitation, 79
 - Current controller adaptation, 79
- Setpoint channel
 - Direction of rotation limiting, 56
 - Direction reversal, 56
 - extended, 46
 - Fixed speed setpoints, 51
 - Jog, 47
 - Main/supplementary setpoint, 54
 - Motorized potentiometer, 52

- ramp-function generator, extended, 59
 - Servo amplifier, 45
 - Setpoint limitation, 57
 - Setpoint modification, 54
 - Suppression bandwidths, 57
 - Setpoint modification, 54
 - Setpoint sources, 46
 - SINAMICS Sensor Module Integrated
 - Back up the data of all SMIs, 602
 - Data backup, 601
 - Data backup to memory card, 602
 - SMI data, 602
 - Sine-wave filter, 203
 - Singleturn encoder, 232
 - Slave-to-slave communication
 - PROFIBUS, 502
 - Slip compensation, 189
 - Smart Infeed closed-loop control, 30
 - Smart Line Modules
 - Parallel connection, 328
 - SMC 30
 - dn/dt monitoring, 550
 - SMC30
 - Encoder evaluation, 547
 - Hardware filter, 548
 - HTL/TTL encoders, 548
 - SMI, (see SINAMICS Sensor Module Integrated)
 - Software limit switches, 291
 - Speed controller, 126
 - Limitations, 68
 - Properties, 68
 - Reference model, 131
 - Speed controller adaptation, 70, 129
 - Speed controller pre-control, 131
 - Speed setpoint filter, 68
 - Speed limitation
 - Droop, 135
 - SS1
 - Safe Stop 1, 371
 - SS1 (time controlled)
 - Acceptance test, 394
 - Safe Stop 1, 371
 - Standard telegrams, 412
 - Standards, 357
 - Standstill measurement
 - Motor identification, 147
 - STO
 - Acceptance test, 393
 - Safe Torque Off, 368
 - STOP A, 387
 - Stop cam, 291
 - STOP F, 387
 - Stop response
 - Stop A, 387
 - Stop F, 387
 - Sublicensing, 638
 - Support, 7
 - Switches for PROFIBUS address, 492
 - Switching on inhibited, 437, 439, 441
 - Switchover
 - Fixed speed setpoints, 51
 - Synchronization (vector), 168
 - Synchronization domain, 528
 - Synchronous motors
 - External armature short-circuit, 211, 212
 - Integrated voltage protection, 217, 218
 - Internal armature short-circuit, 211, 214
 - Permanent-magnet, vector, 160
 - System runtime, 227
 - System sampling times, 629
- ## T
- Technology controller, 250
 - Technology function
 - Friction characteristic, 223
 - Telegram 111
 - POS_ZSW1, 448
 - POS_ZSW2, 449
 - Telegram 220
 - ZSW2_BM, 442
 - Telegram 371
 - STW1, 420
 - Telegrams
 - Layout, 417
 - Manufacturer-specific, 412
 - Sequence of objects, 487
 - Standard, 412
 - User-defined, 413
 - Tension controller, 556
 - Terminal Module 41, 238
 - Test of shutdown paths, 365
 - Thermal motor monitoring
 - PTC motor temperature sensor, 353
 - Synchronous motors, 353
 - Third-party motors, 356
 - Three-winding transformer, 339
 - TM41, 238
 - Torque control, 137
 - extended, 265
 - Torque limiting, 140
 - torque limits
 - Dynamic, 555
 - Torque limits

- OFF3, 222
- Torque pre-control, 553
- Torque setpoint, 74
- Torque-controlled operation, 72
- Travel to fixed stop, 112
- Traversing blocks, 303
- Traversing task
 - reject, 304, 313
- Two-channel brake control, 374

U

- Unit changeover, 195

V

- V/f control, 183
 - Servo control, 87
 - Slip compensation, 189
- Vdc control
 - Servo, 106
 - Vector, 190
 - Vector n/m control, 142
- Vdc_max control
 - Servo, 108
 - Vector n/m control, 144
- Vdc_min control
 - Servo, 107
 - Vector n/m control, 143
 - Vector V/f control, 192
- Vector
 - Bypass, 174
 - Motor data identification, 146
 - Permanent-magnet synchronous motors, 160
 - Rotating measurement, 146
 - Speed controller adaptation, 129
 - Torque control, 137
 - Torque limiting, 140
- Vector control
 - Automatic restart, 208
 - Comparison with servo control, 65, 120
 - Features, 65, 120
 - Vdc control, 190
 - With encoder, 126
 - Without encoder, 122
- Vector drives
 - Voltage Sensing Module, 170
- Voltage boost
 - Servo, 89
 - Vector, 186
- Voltage protection

- Internal, 211
- Voltage Sensing Module, 23
- VPM
 - Voltage Protection Module, 217
- VSM
 - Commissioning, 170
 - Identification via LED, 171
 - Vector drives, 170
- VSM10, 23

W

- WARN_CODE, 449
- Winder applications, 551
- Winding systems
 - Motors, 332
- Wiring rules
 - DRIVE-CLiQ, 606

Z

- Zero mark detection
 - SMC30, 548

Siemens AG
Industry Sector
Drive Technologies
Motion Control Systems
P. O. Box 3180
91050 ERLANGEN
GERMANY

www.siemens.com/motioncontrol

Subject to change without prior notice
© Siemens AG 2008