

Weighfeeders



5/2	Introduction
5/4	SITRANS WW100
5/4	Introduction
5/6	Ordering data
5/9	Dimensional drawings and schematics
5/11	SITRANS WW200
5/11	Introduction
5/13	Open style
5/22	Enclosed style
5/40	Accessories and spare parts
5/44	Dimensional drawings and schematics
5/46	Weighfeeder accessories
5/46	Weighfeeder peripherals

Weighfeeders

Introduction

Overview

SITRANS weighfeeders from Siemens can improve the accuracy of processing, blend consistencies, accountability, and record keeping. All weighfeeders come standard with a belt weigh bridge and speed sensor. An integrator is required to complete the system.

Mode of operation

The weighfeeder is used to deliver an accurate mass flow rate of material. In the majority of applications, material is profiled by an adjustable mechanical shear gate, which fixes the correct material bed depth for a given particle size.

The feed rate is then maintained and adjusted by varying the speed of the belt. However, in some cases the belt speed is constant with rate control (if any) done by a pre-feeding device.

The system consists of three components: weight and speed sensing, integration and control, and the mechanical conveying system. Using the belt load and the belt speed signals, small incremental totals of weight per time are measured by the integrator and then the flow rate is calculated. The measured flowrate is compared against the desired flowrate and the on-board PID controller makes necessary corrections to the belt speed.

Design and Applications

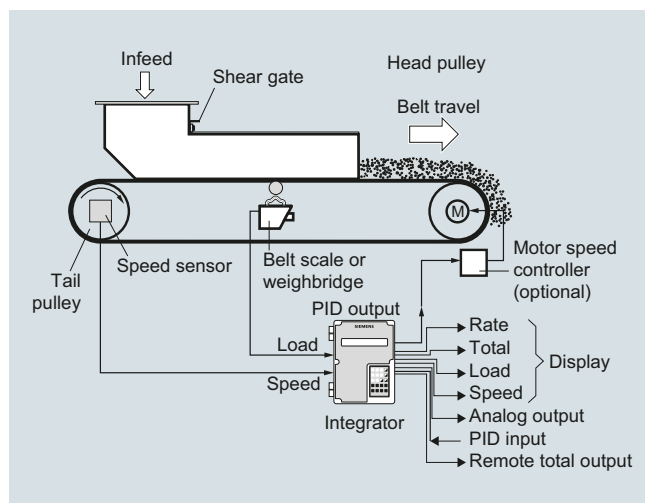
SITRANS WW100

The platform weigh bridge mounts directly to a corrosion-resistant platform load cell. The direct load design eliminates all intermediate mechanical suspension and allows material weight to be directly applied to the load cell.

This design minimizes zero drift normally caused by intermediary suspension components and allows for the use of a very sensitive precision platform load cell. Load cell size and construction are chosen for each specific application.

SITRANS WW200

A stainless steel platform weighdeck with a PD-HD slider bar assembly mounts directly to two corrosion-resistant, sealed platform load cells. The direct load design eliminates all intermediate mechanical suspension and allows material weight to be directly applied to the load cells. The frame of the WW200 is sturdy and rigid, ensuring stable and repeatable results, maximizing resolution and weighing accuracy.



Weighfeeder operation

Technical specifications

Criteria See page	SITRANS WW100 5/4	SITRANS WW200 5/11
Typical industries	Bulk chemicals, tobacco, food, water treatment	Bulk chemicals, tobacco, food, recycling
Typical applications	High-accuracy, low-capacity for minor ingredient additives	Low- to medium-capacity for minor ingredient additives
Design rate range	45 kg/h ... 18 t/h (100 lb/h ... 20 STPH)	0.45 ... 100 t/h (1 000 lb/h ... 110 STPH)
Belt speed	0.005 ... 0.36 m/s (1 ... 70 fpm)	0.005 ... 0.36 m/s (1 ... 70 fpm)
Accuracy¹⁾	± 0.5 % or better	± 0.5 % or better
Specified range	10 ... 100 % based on speed	10 ... 100 % based on speed
Sensing element	Long length platform weigh bridge Single load cell	Platform weigh bridge Dual load cells
Approvals	<ul style="list-style-type: none"> • Declaration of incorporation of partly completed machinery acc. directive 2006/42/EC. • Stainless steel options meet FDA requirements for food processing. • Hazardous approvals per configuration options (WW200 only). 	

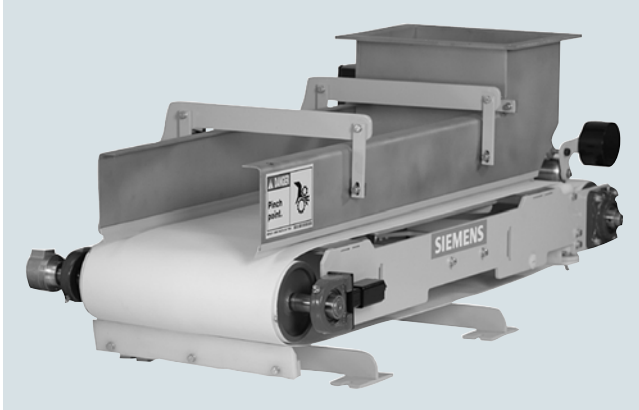
¹⁾ Accuracy subject to: On factory approved installations the weigh feeder system's totalized weight will be within the specified accuracy when compared to a known weighed material test sample. The test rate must be within the specified range of the design capacity and held constant for the duration of the test. The minimum material test sample must be equivalent to a sample obtained at the test flow rate for three revolutions of the belt or at least ten minutes running time, whichever is greater.

Weighfeeders

SITRANS WW100

Introduction

Overview



SITRANS WW100 is a high-accuracy, low-capacity weighfeeder used for minor ingredient additives.

Benefits

- High accuracy
- High turn down ratio; 100 to 10 % of capacity
- Corrosion resistant components
- Fast and easy belt removal for replacement or cleaning
- Simple installation, easy to clean and maintain
- Available with gear or servomotor

Application

SITRANS WW100 is one of the most accurate in-motion weighing systems on the market. It is specially designed for high accuracy on light loading processes. The design eliminates material buildup to ensure accurate, reliable measurement.

The unique long length platform weigh bridge mounts directly to a corrosion-resistant platform load cell. An adjustable mechanical shear gate profiles the material and fixes the correct material bed depth for a given material particle size. The belt speed can be automatically adjusted to attain the correct feed rate.

Standard components include an anti-static food grade belt, gravity tensioned roller, tail pulley driven belt for maximum weighing accuracy, belt tracking rollers, belt scraper and plow for self-cleaning.

Technical specifications

SITRANS WW100	
Mode of operation	
Measuring principle	Strain gauge load cell and digital speed sensor
Typical application	Control and monitor feed rates and blending in bulk chemicals, tobacco, food, and water treatment
Measuring accuracy	
Accuracy ¹⁾	± 0.25 ... 0.5 %
Repeatability	± 0.1 %
Specified range	10 ... 100 % based on speed
Design rate range	45 kg/h ... 18 t/h (100 lb/h ... 20 STPH)
Max volumetric flow	25 m ³ /h (880 ft ³ /h)
Medium conditions	
Operating temperature	-10 ... +55 °C (10 ... 131 °F)
Material	
	Stainless steel [304 (1.4301) or 316L (1.4404)], bead blast finish (1 ... 6 µm, 40 ... 240 µin)
Load cells	
Construction	17-4 PH (1.4568) stainless steel
Degree of protection	IP68
Excitation	10 V DC nominal, 15 V DC maximum
Output	2 mV/V
• Non-linearity	± 0.02 % of rated output
• Non-repeatability	± 0.01 % of rated output
Capacity	Stainless steel range: 6, 12, 30 kg
Overload	150 % of rated capacity
Temperature	<ul style="list-style-type: none"> Operating range: -40 ... +65 °C (-40 ... +149 °F) Compensated: -10 ... +40 °C (14 ... 104 °F)
Speed sensors	
Optical encoder output	<ul style="list-style-type: none"> RS 422 (TTL) 5 V DC, 150 mA max. 1 000 or 2 500 pulses per revolution (ppr)
Degree of protection	<ul style="list-style-type: none"> Standard: IP64 Stainless steel: IP66
Temperature	-10 ... +70 °C (14 ... 158 °F)
Framework	
	<ul style="list-style-type: none"> Precision machined, stainless [304 (1.4301) or 316L (1.4404)] or mild steel Cantilevered design for easy belt replacement
Pulleys	
	115 mm (4.5 inch) diameter, crowned and lagged
Bearings	
	<ul style="list-style-type: none"> 4-bolt flange mount on drive pulley 2-bolt threaded base pillow block on driven pulley
Belt speed	
	0.005 ... 0.36 m/s (1 ... 70 fpm)
Belt support	
	Slider bed frame

SITRANS WW100	
Belting	
	<ul style="list-style-type: none"> Polyester carcass with polyurethane top cover and static control with vulcanized endless finger splice for max. weighing consistency (standard); optionally available in blue and as low capacity belt; product temperature up to 100 °C (212 °C) Belt properties in compliance with food safety regulation (EU) 10/2011 and (EC) 1935/2004 Meets FDA 21CFR and Halal HACCP concept supported: resistant to hot water and ideal for frequent cleaning cycles Silicone high temp belt for hot material applications [product temperature up to 177 °C (350 °F)], in compliance with (EU) 10/2011 and (EC) 1935/2004, meets FDA 21CFR
Belt tension	
	<ul style="list-style-type: none"> Counter-weighted stainless steel [304 (1.4301) or 316L (1.4404)] tensioning idler for consistent tension, required for high accuracy weighing Screw type, telescoper module with 25 mm (1 inch) travel, stainless steel 304 (1.4301)
Belt cleaning	
	<ul style="list-style-type: none"> PE-HD blade type with counter-weight at the head pulley for cleaning product side of belt Return plow
Servomotor	
	SIMOTICS Servomotor; optionally including SINAMICS S120 drive, PROFIBUS DP or ProfiNet option, length of motor and communication cables customizable.
Standard gearmotor	
	Helical-worm geared motor, AC, Efficiency class IE1, IEC or UL-R/CSA, IP55, incl. PTC, RAL7031, C2 coating acc. EN12944.
Food grade gearmotor	
	Helical-worm geared motor, AC, Efficiency class IE3, IEC or UL-R/CSA, IP66, including PTC, corrosion resistant Aluminium housing, sealed surface treatment nsd tupH, complies with FDA.
Variable frequency drive: SINAMICS S120 servomotor controller (included with supply of WW100 based on ordering options)	
	<ul style="list-style-type: none"> 1 ph, 200 ... 240 V or 3 ph, 380 ... 480 V BOP for local control External 24 V DC power supply RS 232 connection port 4 DI, DO PROFIBUS DP, optionally ProfiNet
Shipping weight	
	91 kg (200 lb) ... 181 kg (400 lb) maximum
Approvals	
	<ul style="list-style-type: none"> Declaration of incorporation of partly completed machinery acc. directive 2006/42/EC. Meets FDA requirements for food processing

¹⁾ Accuracy subject to: on factory approved installations the weigh feeder system's totalized weight will be within the specified accuracy when compared to a known weighed material test sample. The test rate must be within the specified range of the design capacity and held constant for the duration of the test. The minimum material test sample must be equivalent to a sample obtained at the test flow rate for three revolutions of the belt or at least ten minutes running time, whichever is greater.

Weighfeeders

SITRANS WW100

Ordering data

Selection and ordering data

Article No.

SITRANS WW100 Weighfeeder

Accuracy is $\pm 0.25 \dots 0.5 \%$, with capacity up to 25 m³/h (880 ft³/h).

➤ Click on the Article No. for the online configuration in the PIA Life Cycle Portal.

Add order code Y71 ... Y73 for all models to specify design data.

Frame and enclosure construction

304 stainless steel open style

0 B

316L stainless steel open style

0 D

304 stainless steel enclosed style with painted mild steel enclosure

1 B

304 stainless steel enclosed style with 304 stainless steel enclosure

1 D

316L stainless steel enclosed style with painted mild steel enclosure

1 G

316L stainless steel enclosed style with 304 stainless steel enclosure

1 J

316L stainless steel enclosed style with 316L stainless steel enclosure

1 M

Material containment construction

Add order code Y74 and plain text: "Arc radius in inches ... XX.XXX inch" for options A ... H

Shear gate inlet and skirtboards 304 stainless steel

A

Shear gate inlet and skirtboards 304 stainless steel with cover

B

Shear gate inlet and skirtboards 304 stainless steel, #4 polished

C

Shear gate inlet and skirtboards 304 stainless steel, #4 polished with cover

D

Shear gate inlet and skirtboards 316L stainless steel

E

Shear gate inlet and skirtboards 316L stainless steel with cover

F

Shear gate inlet and skirtboards 316L stainless steel, #4 polished

G

Shear gate inlet and skirtboards 316L stainless steel, #4 polished with cover

H

Horseshoe inlet 304 stainless steel¹⁾

J

Horseshoe inlet 304 stainless steel, #4 polished¹⁾

K

Horseshoe inlet 316L stainless steel¹⁾

L

Horseshoe inlet 316L stainless steel, #4 polished¹⁾

M

Load cell

6 kg (13.2 lb) stainless steel, hermetically sealed

4

12 kg (26.5 lb) stainless steel, hermetically sealed

5

30 kg (66.1 lb) stainless steel, hermetically sealed

6

Speed sensor

1 000 PPR shaft mounted optical encoder

1

2 500 PPR shaft mounted optical encoder

2

1 000 PPR shaft mounted optical encoder, stainless steel

4

2 500 PPR shaft mounted optical encoder, stainless steel

5

SITRANS WW100 Weighfeeder

SITRANS WW100 Weighfeeder

Accuracy is $\pm 0.25 \dots 0.5 \%$, with capacity up to 25 m³/h (880 ft³/h).

Drive configuration

SIMOTICS Servomotor incl. SINAMICS control unit with PROFIBUS DP, BOP and power module

200 ... 240 V 1 ph²⁾

0 A

380 ... 480 V 3 ph²⁾

0 B

200 ... 240 V 1 ph, with 5 m (16.4 ft) communication and power cables

1 A

380 ... 480 V 3 ph, with 5 m (16.4 ft) communication and power cables

1 B

200 ... 240 V 1 ph, with 10 m (33 ft) communication and power cables

2 A

380 ... 480 V 3 ph, with 10 m (33 ft) communication and power cables

2 B

200 ... 240 V 1 ph, with 25 m (82 ft) communication and power cables

3 A

380 ... 480 V 3 ph, with 25 m (82 ft) communication and power cables

3 B

200 ... 240 V 1 ph, with 50 m (164 ft) communication and power cables

4 A

380 ... 480 V 3 ph, with 50 m (164 ft) communication and power cables

4 B

200 ... 240 V 1 ph, with 100 m (328 ft) communication and power cables

5 A

380 ... 480 V 3 ph, with 100 m (328 ft) communication and power cables

5 B

Standard AC gearmotor without drive (Drive required for desired belt speed)

Add order code Y76 for electrical style: IEC, UL-R/CSA or CCC.

Add order code Y75 reduction ratio in plain text: "X:1".

220 ... 240/380 ... 480 V 3 ph 50/60 Hz AC

6 A

575 V 3 ph 60 Hz AC

6 B

Food grade AC gearmotor without drive (Drive required for desired belt speed)

Add order code Y76 for electrical style: IEC, UL-R/CSA or CCC.

Add order code Y75 reduction ratio in plain text: "X:1".

220 ... 240/380 ... 480 V 3 ph 50/60 Hz AC food grade gearmotor

7 A

575 V 3 ph 60 Hz AC food grade gearmotor

7 B

SIMOTICS servomotor without accessories

Control unit, BOP, power module and input choke as well as power and communication cables should be ordered separately.

8 A

Calibration Method

None

A

1 calibration chain strand approx. 2.41 kg/m (1.62 lb/ft)

B

2 calibration chain strands approx. 4.82 kg/m (3.24 lb/ft)

C

3 calibration chain strands approx. 7.23 kg/m (4.86 lb/ft)

D

Belt change access side (looking from inlet to discharge)

Left hand

0

Right hand

1

Selection and ordering data	Order Code	Article No.
Further Designs		
Please add "-Z" to article no. and specify order code(s).		
Application Eng. reference number (max. 15 characters), specify in plain text.	Y31	
Shear gate arc radius: Enter shear gate arc radius in inches (xxx.xx inch) ³⁾	Y74	
Enter design units (TPH, MTPH, lb/h, kg/h)	Y71	
Enter design speed (ft/m, m/s)	Y72	
Enter design capacity/rate	Y73	
AC gearmotor reduction ratio: Enter reduction ratio in plain text (X:1).	Y75	
AC gearmotor electrical style: IEC, UL-R/CSA or CCC	Y76	
Manufacturer's test certificate: according to EN 10204-2.2	C11	
Stainless steel tag [69 x 50 mm (2.71 x 1.97 inch)]: measuring-point number/identification (max. 27 characters) specify in plain text.	Y15	
Plastic shear curtain to control dust at the infeed for floodable materials and dusty applications ³⁾	G11	
Pointek CLS100 Capacitance switch for plugged discharge chute detection	G12	
Belt cleaner, stainless steel, nylon brush, mounted under belt plow, cleaning dirty side of belt	G14	
Low weight belt for light loading, low rate applications (recommended for under 1 t/h). Anti-static, FDA approved.	G15	
High temp belt for hot material applications (product temp up to 177 °C (350 °F). High temp silicone, FDA approved.	G17	
SINAMICS control unit with ProfiNet (only available with drive configuration options 0A ... 5B)	G21	
Food grade Polyurethane sealing at infeed area	G22	
Discharge dust hood, painted mild steel with de-dust port ¹⁾	H50	
Discharge dust hood, 304 stainless steel with de-dust port ¹⁾	H51	
Discharge dust hood, 316L stainless steel with de-dust port ¹⁾	H52	
Operating instructions		
All literature is available to download for free, in a range of languages, at https://www.siemens.com/weighing/documentation		
Spare parts		
6 kg (13.2 lb) stainless steel load cell		7MH5117-1QD00
12 kg (26.4 lb) stainless steel load cell		7MH5117-2BD00
30 kg (66.2 lb) stainless steel load cell		7MH5117-2KD00
10 kg (22 lb) nickel plated steel load cell		7MH7725-1EK
15 kg (33.1 lb) nickel plated steel load cell		7MH7725-1EL
20 kg (44 lb) nickel plated steel load cell		7MH7725-1EM
500 PPR optical encoder ⁴⁾		6FX2001-2PA50
1 000 PPR optical encoder ⁴⁾		6FX2001-2PB00
2 500 PPR optical encoder ⁴⁾		6FX2001-2PC50
30 kg (66.2 lb) nickel plated steel load cell		7MH7725-1EN
500 PPR optical encoder		6FX2001-4QA50
1 000 PPR optical encoder		6FX2001-4QB00
2 500 PPR optical encoder		6FX2001-4QC50
Optical encoder connector		6FX2003-0SU12
Speed encoder plug-in with 3 m cable ⁵⁾		7MH7723-1KM
Optical encoder connector with 20 ft (6 m) of cable ⁶⁾		7MH7723-1KD
Speed Encoder, 1 000 PPR, stainless steel		7MH7723-1HH
Speed Encoder, 2 500 PPR, stainless steel		7MH7723-1HJ
Polyurethane sealing, white		7MH7723-1SF
Polyurethane sealing, blue		7MH7723-1SG
Calibration chain, approx. 2.41 kg/m (1.62 lb/ft)		7MH7723-1HP
Calibration chain, approx. 4.82 kg/m (3.24 lb/ft)		7MH7723-1HQ
Calibration chain, approx. 7.23 kg/m (4.86 lb/ft)		7MH7723-1HR
Customers interested in servomotor and drive spares and peripherals should consult a local sales person. For more information, please visit http://www.automation.siemens.com/aspa_app		

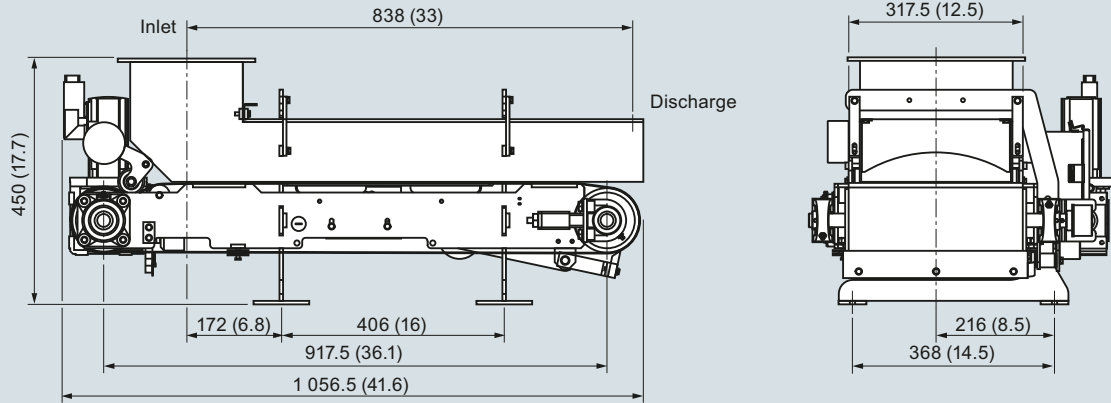
Weighfeeders**SITRANS WW100****Ordering data**

Selection and ordering data	Article No.
Standard belt, white	7MH7723-1SA
Standard belt, blue	7MH7723-1SB
Low capacity belt, white	7MH7723-1SC
Low capacity belt, blue	7MH7723-1SD
High temperature belt, white	7MH7723-1SE
Skirtboard sealing	7MH7723-1SG
Guide rollers	7MH7723-1SH
Gravimetric tensioning device	7MH7723-1SJ
Telescopes for WW100, stainless steel	7MH7723-1SY
Circuit board for termination box	A5E03623963
Bearing replacement kit, 2 bearings each for headpulley and tailpulley	7MH7723-1HV
Pulley replacement kit, for head and tailpulley, crowned, with lagging	7MH7723-1HY
Belt cleaning kit	7MH7723-1HW
Spare brush, 12 inch belt width	7MH7723-1SN
Accessories	
Start, Stop, Hand/Off/Auto, speed pot local operator station	7MH7723-1JA
CLS100 plugged discharge chute retrofit kit (includes CLS100, material hood)	7MH7723-1JE

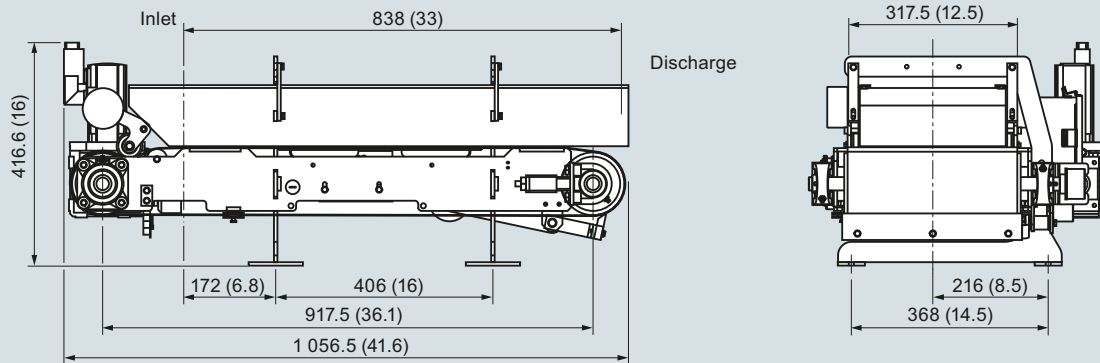
- 1) Available with Frame Construction options 0B ... 0D only.
- 2) Communication and power cables required.
- 3) Available with Material Containment options A ... H only.
- 4) For use with 5 V DC supply from RS 422 circuit card.
- 5) For use with PPR optical encoders: 6FX20012PA50, 6FX20012PB00, 6FX20012PC50.
- 6) For use with PPR optical encoders: 6FX20014QA50, 6FX20014QB00, 6FX20014QC5.
- 7) Available for WW100 weighfeeder, made in Canada prior to 2016; specify Y75 reduction ratio on the order.

Dimensional drawings

Open Construction



Open Horseshoe Inlet



SITRANS WW100, dimensions in mm (inch)

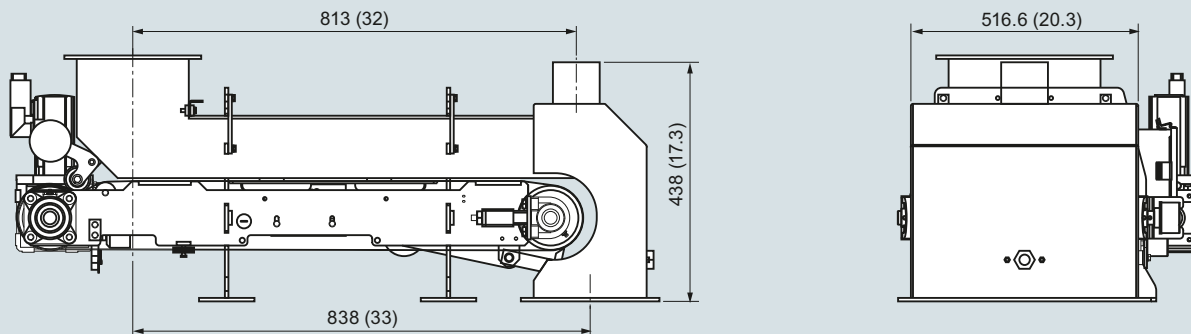
Weighfeeders

SITRANS WW100

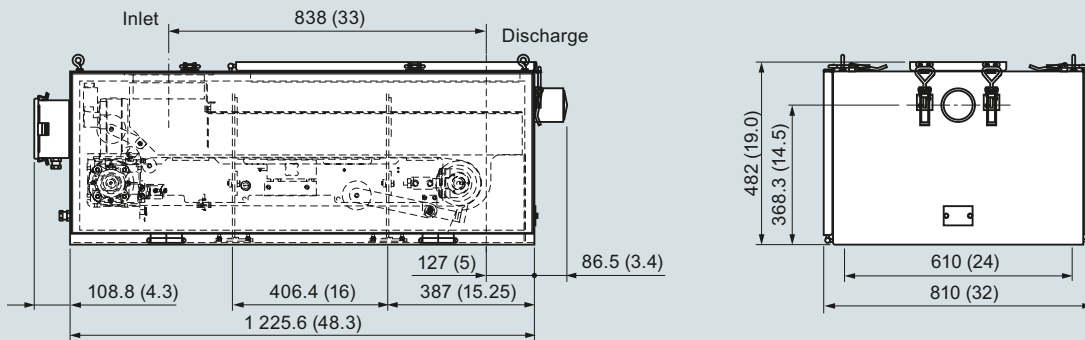
Dimensional drawings and schematics

Dimensional drawings

Open Dust Hood



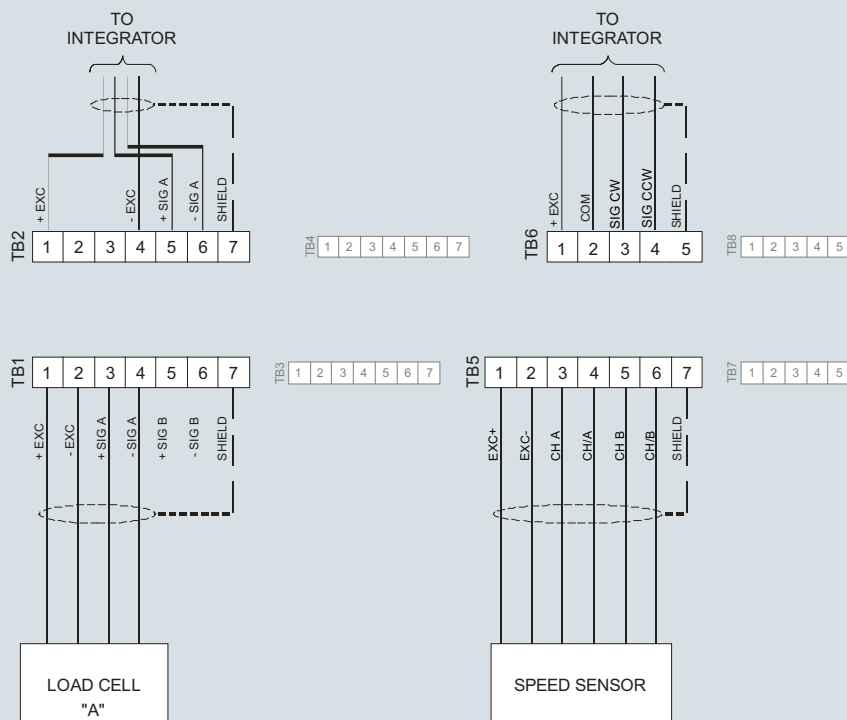
Enclosed Construction



SITRANS WW100, dimensions in mm (inch)

5

Circuit diagrams



SITRANS WW100 connections

Overview



SITRANS WW200 is a low- to medium-capacity weighfeeder used for minor ingredient additives.

Benefits

- High accuracy
- Ideal for low- to medium-capacity loads
- Fast installation, easy to clean and maintain
- Flexible, rugged design allows configurations to suit many applications
- Quick delivery on standard units
- Outboard mounted load cells with protective cover

Application

SITRANS WW200 has been field tested and proven in hundreds of applications.

The unit can be customized to meet exact application needs. Stainless or mild steel units are available in open or enclosed styles. Custom lengths, belt types, inlet configurations, drives, and other options are available to meet your requirements.

Its cantilevered mechanical design provides for quick belt removal and easy maintenance. It is designed to eliminate material build-up, ensuring high accuracy and reliability. The unique weigh system reduces dead load and applies live load directly to two platform load cells. Load cells are externally mounted for easy access and maintenance.

Standard components include an anti-static food grade belt option, horizontal slider bars for self-cleaning and minimal product build up, belt tracking rollers, belt scraper, and plow for self-cleaning.

Weighfeeders

SITRANS WW200

Introduction

Technical specifications

SITRANS WW200	
Mode of operation	
Measuring principle	Strain gauge load cells and digital speed sensor
Typical application	Control and monitor feed rates and blending of minerals or powdered additives into a process
Measuring accuracy	
Accuracy ¹⁾	± 0.5 % or better
Repeatability	± 0.1 %
Specified range	10 ... 100 % based on speed
Design rate range	0.45 ... 100 t/h (1 000 lb/h ... 110 STPH)
Max volumetric flow	120 m ³ /h (4 237 ft ³ /h)
Medium conditions	
Operating temperature	-10 ... +55 °C (14 ... 131 °F)
Material	
	Mild steel or stainless steel [304 (1.4301) or 316L (1.4404)], bead blast finish (1 ... 6 µm, 40 ... 240 µin)
Load cells	
Construction	17-4 PH (1.4568) stainless steel or nickel plated alloy steel
Degree of protection	<ul style="list-style-type: none"> Stainless steel: IP68 Nickel plated alloy steel: IP66
Excitation	10 V DC nominal, 15 V DC maximum
Output	2 mV/V
<ul style="list-style-type: none"> Non-linearity Non-repeatability 	± 0.02 % of rated output ± 0.01 % of rated output
Capacity	<ul style="list-style-type: none"> Stainless steel range: 6, 12, 30 kg Nickel-plated range: 10, 15, 20, 30, 50 kg
Overload	150 % of rated capacity
Temperature	<ul style="list-style-type: none"> Operating range: -40 ... +65 °C (-40 ... +150 °F) Compensated: -10 ... +40 °C (15 ... 105 °F)
Speed sensor	
Optical encoder output	RS 422 (TTL) 5 V DC, 150 mA max. 1 000 or 2 000 ppr
Temperature	-10 ... +70 °C (14 ... 158 °F)
Degree of protection	<ul style="list-style-type: none"> Standard: IP64 Stainless steel: IP67
Belt tracking switch	
Aluminum spring rod (un-wired)	<ul style="list-style-type: none"> 1 NO, 1 NC switch blocks Rated operating voltage 600 V AC max.
Temperature	-30 ... +85 °C (-22 ... +185 °F)
Degree of protection	IP67

SITRANS WW200	
Framework	
	<ul style="list-style-type: none"> Precision machined, stainless [304 (1.4301) or 316L (1.4404)] or mild steel Cantilevered design for easy belt replacement
Pulleys	
	152 mm (6 inch) diameter with 6 mm (¼ inch) neoprene lagging
Belt speed	
	0.005 ... 0.36 m/s (1 ... 70 fpm)
Belt support	
	Edge of flat bar eliminates material buildup
Bearings	
	<ul style="list-style-type: none"> 2-bolt flange mount on drive pulley 2-bolt threaded base pillow block on driven pulley
Belting	
	<ul style="list-style-type: none"> Polyester carcass with polyurethane top cover and static control with vulcanized endless finger splice for maximum weighing consistency (standard); optionally available in blue Maximum rated material temperature 82 °C (180 °F) Silicone HT belt rated for max. material temp. of 177 °C (350 °F)
Belt tension	
	Screw type, telescope module with 150 mm (6 inch) travel - mild or stainless steel 304 (1.4301)
Belt cleaning	
	<ul style="list-style-type: none"> PE-HD blade type with spring tensioning at head pulley Return plow Cleaning brush, optional
Drive motor	
	<ul style="list-style-type: none"> AC gearmotor: helical-worm geared motor, IE1, IP55, C2 coating. Optional food grade style: helical-worm geared motor, IE3, IP66, sealed surface treatment, meets FDA requirements.
Shipping weight	
	280 kg (600 lb) minimum
Approvals	
	<ul style="list-style-type: none"> Declaration of incorporation of partly completed machinery acc. directive 2006/42/EC. Stainless steel options meet FDA requirements for food processing. Belt properties in compliance with food safety regulation (EU) 10/2011 and (EC) 1935/2004. Meets FDA 21CFR and Halal. HACCP concept supported: resistant to hot water and ideal for frequent cleaning cycles. Hazardous approvals per configuration options. <p>Note: weighfeeder as a whole is not approved for hazardous locations only electrical components.</p>

¹⁾ Accuracy subject to: on factory approved installations the weigh feeder system's totalized weight will be within the specified accuracy when compared to a known weighed material test sample. The test rate must be within the specified range of the design capacity and held constant for the duration of the test. The minimum material test sample must be equivalent to a sample obtained at the test flow rate for three revolutions of the belt or at least ten minutes running time, whichever is greater.

Selection and ordering data	Article No.	Article No.
SITRANS WW200 Weighfeeder, painted mild steel, open style Accuracy is $\pm 0.5\%$ or better, with capacity up to 120 m ³ /h (4 237 ft ³ /h). Click on the Article No. for the online configuration in the PIA Life Cycle Portal. Add order code Y71 ... Y76 for all models to specify design data.	7MH7300-	7MH7300-
Painted mild steel, open style, with C/L infeed to C/L discharge <u>12 inch (305 mm) belt width</u> 52 inch (1 321 mm) 0 A 60 inch (1 524 mm) 0 B 68 inch (1 727 mm) 0 C 76 inch (1 930 mm) 0 D 84 inch (2 134 mm) 0 E 92 inch (2 337 mm) 0 F 100 inch (2 540 mm) 0 G 108 inch (2 743 mm) 0 H 116 inch (2 946 mm) 0 J <u>18 inch (457 mm) belt width</u> 52 inch (1 321 mm) 1 A 60 inch (1 524 mm) 1 B 68 inch (1 727 mm) 1 C 76 inch (1 930 mm) 1 D 84 inch (2 134 mm) 1 E 92 inch (2 337 mm) 1 F 100 inch (2 540 mm) 1 G 108 inch (2 743 mm) 1 H 116 inch (2 946 mm) 1 J <u>24 inch (610 mm) belt width</u> 52 inch (1 321 mm) 2 A 60 inch (1 524 mm) 2 B 68 inch (1 727 mm) 2 C 76 inch (1 930 mm) 2 D 84 inch (2 134 mm) 2 E 92 inch (2 337 mm) 2 F 100 inch (2 540 mm) 2 G 108 inch (2 743 mm) 2 H 116 inch (2 946 mm) 2 J <u>30 inch (762 mm) belt width</u> 52 inch (1 321 mm) 3 A 60 inch (1 524 mm) 3 B 68 inch (1 727 mm) 3 C 76 inch (1 930 mm) 3 D 84 inch (2 134 mm) 3 E 92 inch (2 337 mm) 3 F 100 inch (2 540 mm) 3 G 108 inch (2 743 mm) 3 H 116 inch (2 946 mm) 3 J		SITRANS WW200 Weighfeeder, painted mild steel, open style Accuracy is $\pm 0.5\%$ or better, with capacity up to 120 m ³ /h (4 237 ft ³ /h). <u>36 inch (914 mm) belt width</u> 52 inch (1 321 mm) 4 A 60 inch (1 524 mm) 4 B 68 inch (1 727 mm) 4 C 76 inch (1 930 mm) 4 D 84 inch (2 134 mm) 4 E 92 inch (2 337 mm) 4 F 100 inch (2 540 mm) 4 G 108 inch (2 743 mm) 4 H 116 inch (2 946 mm) 4 J <u>42 inch (1 067 mm) belt width</u> 52 inch (1 321 mm) 5 A 60 inch (1 524 mm) 5 B 68 inch (1 727 mm) 5 C 76 inch (1 930 mm) 5 D 84 inch (2 134 mm) 5 E 92 inch (2 337 mm) 5 F 100 inch (2 540 mm) 5 G 108 inch (2 743 mm) 5 H 116 inch (2 946 mm) 5 J <u>48 inch (1 219 mm) belt width</u> 52 inch (1 321 mm) 6 A 60 inch (1 524 mm) 6 B 68 inch (1 727 mm) 6 C 76 inch (1 930 mm) 6 D 84 inch (2 134 mm) 6 E 92 inch (2 337 mm) 6 F 100 inch (2 540 mm) 6 G 108 inch (2 743 mm) 6 H 116 inch (2 946 mm) 6 J

Weighfeeders

SITRANS WW200

Open style

Selection and ordering data	Article No.	Article No.
SITRANS WW200 Weighfeeder, painted mild steel, open style Accuracy is ± 0.5 % or better, with capacity up to 120 m ³ /h (4 237 ft ³ /h).	7MH7300-	7MH7300-
Material containment construction		
None	A	
Add order code Y74 and plain text: "Arc radius in inches ... XX.XXX inch" for options D ... L.		
<u>Shear gate inlet</u>		
Skirtboards 304 stainless steel	D	0 C
Skirtboards 304 stainless steel, with cover	E	0 D
Skirtboards 304 stainless steel, #4 polished	F	0 G
Skirtboards 304 stainless steel, #4 polished with cover	G	0 H
Skirtboards 316L stainless steel	H	
Skirtboards 316L stainless steel, with cover	J	4 A
Skirtboards 316L stainless steel, #4 polished	K	4 B
Skirtboards 316L stainless steel, #4 polished with cover	L	4 C
<u>Horseshoe inlet</u>		
304 stainless steel	M	4 D
304 stainless steel, #4 polished	N	4 E
316L stainless steel	P	4 F
316L stainless steel, #4 polished	Q	4 G
Load cell		
<u>Nickel plated steel</u>		
10 kg (22 lb)	0	4 H
15 kg (33 lb)	1	A
20 kg (44 lb)	2	B
30 kg (66 lb)	3	C
50 kg (110 lb)	4	D
<u>Stainless steel, hermetically sealed</u>		
6 kg (13.2 lb)	5	K
12 kg (26.5 lb)	6	L
30 kg (66.1 lb)	7	M
Speed sensor		
<u>Shaft mounted</u>		
1 000 PPR optical encoder	1	
2 500 PPR optical encoder	2	
1 000 PPR optical encoder, stainless steel	4	
2 500 PPR optical encoder, stainless steel	5	
SITRANS WW200 Weighfeeder, painted mild steel, open style Accuracy is ± 0.5 % or better, with capacity up to 120 m ³ /h (4 237 ft ³ /h).		
Drive configuration		
Add order code Y75 (reduction ratio) and Y76 (electrical style).		
<u>Standard AC motor</u>		
0.5 HP (0.37 kW) 220 ... 240/380 ... 480 V 3 ph 50/60 Hz		0 C
0.5 HP (0.37 kW) 575 V 3 ph 60 Hz		0 D
1 HP (0.75 kW) 220 ... 240/380 ... 480 V 3 ph 50/60 Hz		0 G
1 HP (0.75 kW) 575 V 3 ph 60 Hz		0 H
<u>Food grade AC motor</u>		
0.25 HP (0.18 kW) 220 ... 240/380 ... 480 V 3 ph 50/60 Hz		4 A
0.25 HP (0.18 kW) 575 V 3 ph 60 Hz		4 B
0.5 HP (0.37 kW) 220 ... 240/380 ... 480 V 3 ph 50/60 Hz		4 C
0.5 HP (0.37 kW) 575 V 3 ph 60 Hz		4 D
0.75 HP (0.55 kW) 220 ... 240/380 ... 480 V 3 ph 50/60 Hz		4 E
0.75 HP (0.55 kW) 575 V 3 ph 60 Hz		4 F
1 HP (0.75 kW) 220 ... 240/380 ... 480 V 3 ph 50/60 Hz		4 G
1 HP (0.75 kW) 575 V 3 ph 60 Hz		4 H
Belting		
Polyurethane, 1.35 mm, anti-static, 2 ply, FDA approved		A
Polyurethane, 1.35 mm, anti-static, 2 ply, FDA approved, with B-section flange walls		B
Polyurethane, 1.35 mm, anti-static, 2 ply, FDA approved, with 2 inch (50 mm) corrugated side walls		C
Silicone, HT 177 °C (350 °F), anti-static 45 PIW, 2 ply, FDA approved		D
Polyurethane, 2.9 mm, anti-static, 2 ply, FDA approved		K
Polyurethane, 2.9 mm, anti-static, 2 ply, FDA approved, with B-section flange walls		L
Polyurethane, 2.9 mm, anti-static, 2 ply, FDA approved, with 2 inch (50 mm) corrugated side walls		M
Belt change access side (looking from inlet to discharge)		
Left hand		0
Right hand		1

Selection and ordering data	Order Code	Further Designs	Order Code
Further Designs		Further Designs	
Please add "-Z" to article no. and specify order code(s).		Please add "-Z" to article no. and specify order code(s).	
Application Eng. reference number (max. 15 characters), specify in plain text	Y31	Plastic shear curtain to control dust at the infeed for floodable materials and dusty applications ¹⁾	G11
Shear gate arc radius: Enter shear gate arc radius in inches (xxx.xx inch) ¹⁾	Y74	Pointek CLS100 Capacitance switch for plugged discharge chute detection	G12
Enter design units (TPH, MTPH, lb/h, kg/h)	Y71	Belt cleaner, stainless steel, nylon brush, mounted under belt plow, cleaning dirty side of belt	G14
Enter design speed (ft/m, m/s)	Y72	Blue colored belt, anti-static, 2 ply, FDA approved ⁴⁾	G18
Enter design capacity/rate	Y73	Secondary speed encoder at motor (not for hazardous areas; not suitable for use with integrator)	G19
AC gearmotor reduction ratio: Enter reduction ratio in plain text (X:1)	Y75	Motor corrosion protection C5 acc. EN 12944 (available with standard AC motor)	G20
AC gearmotor electrical style: enter IEC, UL-R/CSA or CCC style	Y76	Food grade Polyurethane sealing at infeed area	G22
Center material bed depth	Y77	Discharge dust hood, painted mild steel with de-dust port	H50
Custom length: Select next longest option and specify infeed CL to discharge CL in plain text (indicated inches or millimeters)	Y01	Discharge dust hood, 304 stainless steel with de-dust port	H51
Manufacturer's test certificate: according to EN 10204-2.2	C11	Discharge dust hood, 316L stainless steel with de-dust port	H52
Stainless steel tag [69 x 50 mm (2.71 x 1.97 inch)]: Measuring-point number/identification (max. 27 characters) specify in plain text	Y15	Custom design Specify quote reference when ordering	Y99
Class I, Div. 1, Groups C and D; Class II, Div. 1, Groups F and G, approved electrical components; without junction boxes	E90	Operating instructions	
ATEX II 2D approved electrical components; only available with speed encoder option 1 and 2; with Aluminum junction boxes	E91	All literature is available to download for free, in a range of languages, at https://www.siemens.com/weighing/documentation	
ATEX II 2D approved electrical components; only available with speed encoder option 4 and 5; with Stainless steel junction boxes	E92	1) Available with material containment options D ... L only.	
ATEX II 3D approved electrical components; only available with speed encoder option 1 and 2; with Aluminum junction boxes	E93	2) 575 V versions meet 4:1 ct inverter rating, all other voltages meet 10:1.	
Note: weighfeeder does not carry hazardous approval, only motor, loadcells, speed encoder, and tracking switches; approval not available with load cell options 0 ... 4 or motor options 4C ... 4H ³⁾		3) Available with drive configuration standard motor options only, all motors suitable for 400 V operation only.	
		4) Available only with Belting options A, B, and C.	

Weighfeeders

SITRANS WW200

Open style

Selection and ordering data

Article No.

Article No.

SITRANS WW200 Weighfeeder, 304 stainless steel, open style

Accuracy is $\pm 0.5\%$ or better,
with capacity up to 120 m³/h (4 237 ft³/h).

➤ Click on the Article No. for the online
configuration in the PIA Life Cycle Portal.

Add order code Y71 ... Y76 for all models to
specify design data.

304 stainless steel, open style, with C/L infeed to C/L discharge

12 inch (305 mm) belt width

52 inch (1 321 mm)

0 A

60 inch (1 524 mm)

0 B

68 inch (1 727 mm)

0 C

76 inch (1 930 mm)

0 D

84 inch (2 134 mm)

0 E

92 inch (2 337 mm)

0 F

100 inch (2 540 mm)

0 G

108 inch (2 743 mm)

0 H

116 inch (2 946 mm)

0 J

18 inch (457 mm) belt width

52 inch (1 321 mm)

1 A

60 inch (1 524 mm)

1 B

68 inch (1 727 mm)

1 C

76 inch (1 930 mm)

1 D

84 inch (2 134 mm)

1 E

92 inch (2 337 mm)

1 F

100 inch (2 540 mm)

1 G

108 inch (2 743 mm)

1 H

116 inch (2 946 mm)

1 J

24 inch (610 mm) belt width

52 inch (1 321 mm)

2 A

60 inch (1 524 mm)

2 B

68 inch (1 727 mm)

2 C

76 inch (1 930 mm)

2 D

84 inch (2 134 mm)

2 E

92 inch (2 337 mm)

2 F

100 inch (2 540 mm)

2 G

108 inch (2 743 mm)

2 H

116 inch (2 946 mm)

2 J

30 inch (762 mm) belt width

52 inch (1 321 mm)

3 A

60 inch (1 524 mm)

3 B

68 inch (1 727 mm)

3 C

76 inch (1 930 mm)

3 D

84 inch (2 134 mm)

3 E

92 inch (2 337 mm)

3 F

100 inch (2 540 mm)

3 G

108 inch (2 743 mm)

3 H

116 inch (2 946 mm)

3 J

SITRANS WW200 Weighfeeder, 304 stainless steel, open style

Accuracy is $\pm 0.5\%$ or better,
with capacity up to 120 m³/h (4 237 ft³/h).

36 inch (914 mm) belt width

52 inch (1 321 mm)

4 A

60 inch (1 524 mm)

4 B

68 inch (1 727 mm)

4 C

76 inch (1 930 mm)

4 D

84 inch (2 134 mm)

4 E

92 inch (2 337 mm)

4 F

100 inch (2 540 mm)

4 G

108 inch (2 743 mm)

4 H

116 inch (2 946 mm)

4 J

42 inch (1 067 mm) belt width

52 inch (1 321 mm)

5 A

60 inch (1 524 mm)

5 B

68 inch (1 727 mm)

5 C

76 inch (1 930 mm)

5 D

84 inch (2 134 mm)

5 E

92 inch (2 337 mm)

5 F

100 inch (2 540 mm)

5 G

108 inch (2 743 mm)

5 H

116 inch (2 946 mm)

5 J

48 inch (1 219 mm) belt width

52 inch (1 321 mm)

6 A

60 inch (1 524 mm)

6 B

68 inch (1 727 mm)

6 C

76 inch (1 930 mm)

6 D

84 inch (2 134 mm)

6 E

92 inch (2 337 mm)

6 F

100 inch (2 540 mm)

6 G

108 inch (2 743 mm)

6 H

116 inch (2 946 mm)

6 J

Selection and ordering data	Article No.	Article No.
SITRANS WW200 Weighfeeder, 304 stainless steel, open style	7MH7301-	7MH7301-
Accuracy is ± 0.5 % or better, with capacity up to 120 m³/h (4 237 ft³/h).		
Material containment construction		
None	A	
Add order code Y74 and plain text: "Arc radius in inches ... XX.XXX" for options D ... L		
<u>Shear gate inlet</u>		
Skirtboards 304 stainless steel	D	
Skirtboards 304 stainless steel, with cover	E	
Skirtboards 304 stainless steel, #4 polished	F	
Skirtboards 304 stainless steel, #4 polished with cover	G	
Skirtboards 316L stainless steel	H	
Skirtboards 316L stainless steel, with cover	J	
Skirtboards 316L stainless steel, #4 polished	K	
Skirtboards 316L stainless steel, #4 polished with cover	L	
<u>Horseshoe inlet</u>		
304 stainless steel	M	
304 stainless steel, #4 polished	N	
316L stainless steel	P	
316L stainless steel, #4 polished	Q	
Load cell		
6 kg (13.2 lb) stainless steel, hermetically sealed	5	
12 kg (26.5 lb) stainless steel, hermetically sealed	6	
30 kg (66.1 lb) stainless steel, hermetically sealed	7	
Speed sensor		
<u>Shaft mounted</u>		
1 000 PPR optical encoder	1	
2 500 PPR optical encoder	2	
1 000 PPR optical encoder, stainless steel	4	
2 500 PPR optical encoder, stainless steel	5	
SITRANS WW200 Weighfeeder, 304 stainless steel, open style		
Accuracy is ± 0.5 % or better, with capacity up to 120 m³/h (4 237 ft³/h).		
Drive configuration		
Add order code Y75 (reduction ratio) and Y76 (electrical style).		
<u>Standard AC motor</u>		
0.5 HP (0.37 kW) 220 ... 240/380 ... 480 V 3 ph 50/60 Hz		0 C
0.5 HP (0.37 kW) 575 V 3 ph 60 Hz		0 D
1 HP (0.75 kW) 220 ... 240/380 ... 480 V 3 ph 50/60 Hz		0 G
1 HP (0.75 kW) 575 V 3 ph 60 Hz		0 H
<u>Food grade AC motor</u>		
0.25 HP (0.18 kW) 220 ... 240/380 ... 480 V 3 ph 50/60 Hz		4 A
0.25 HP (0.18 kW) 575 V 3 ph 60 Hz		4 B
0.5 HP (0.37 kW) 220 ... 240/380 ... 480 V 3 ph 50/60 Hz		4 C
0.5 HP (0.37 kW) 575 V 3 ph 60 Hz		4 D
0.75 HP (0.55 kW) 220 ... 240/380 ... 480 V 3 ph 50/60 Hz		4 E
0.75 HP (0.55 kW) 575 V 3 ph 60 Hz		4 F
1 HP (0.75 kW) 220 ... 240/380 ... 480 V 3 ph 50/60 Hz		4 G
1 HP (0.75 kW) 575 V 3 ph 60 Hz		4 H
Belting		
Polyurethane, 1.35 mm, anti-static, 2 ply, FDA approved		A
Polyurethane, 1.35 mm, anti-static, 2 ply, FDA approved, with B-section flange walls		B
Polyurethane, 1.35 mm, anti-static, 2 ply, FDA approved, with 2 inch (50 mm) corrugated side walls		C
Silicone, HT 177 °C (350 °F), anti-static 45 PIW, 2 ply, FDA approved		D
Polyurethane, 2.9 mm, anti-static, 2 ply, FDA approved		K
Polyurethane, 2.9 mm, anti-static, 2 ply, FDA approved, with B-section flange walls		L
Polyurethane, 2.9 mm, anti-static, 2 ply, FDA approved, with 2 inch (50 mm) corrugated side walls		M
Belt change access side (looking from inlet to discharge)		
Left hand		0
Right hand		1

Weighfeeders**SITRANS WW200****Open style****Selection and ordering data****Order Code***Further designs*

Please add **"-Z"** to article no. and specify order code(s).

Application Eng. reference number (max. 15 characters), specify in plain text. **Y31**

Shear gate arc radius: Enter shear gate arc radius in inches (xxx.xx inch) **Y74**

Enter design units (TPH, MTPH, lb/h, kg/h) **Y71**

Enter design speed (ft/m, m/s) **Y72**

Enter design capacity/rate **Y73**

AC gearmotor reduction ratio: Enter reduction ratio in plain text (X:1) **Y75**

AC gearmotor electrical style: enter IEC, UL-R/CSA or CCC style **Y76**

Center material bed depth **Y77**

Custom length: Select next longest option and specify infeed CL to discharge CL in plain text (indicated inches or millimeters) **Y01**

Manufacturer's test certificate: According to EN 10204-2.2 **C11**

Stainless steel tag [69 x 50 mm (2.71 x 1.97 inch)]; Measuring-point number/identification (max. 27 characters) specify in plain text **Y15**

Class I, Div. 1, Groups C and D; Class II, Div. 1, Groups F and G, approved electrical components; without junction boxes **E90**

ATEX II 2D approved electrical components; only available with speed encoder option 1 and 2; with Aluminum junction boxes **E91**

ATEX II 2D approved electrical components; only available with speed encoder option 4 and 5; with Stainless steel junction boxes **E92**

ATEX II 3D approved electrical components; only available with speed encoder option 1 and 2; with Aluminum junction boxes **E93**

Note: weighfeeder does not carry hazardous approval, only motor, loadcells, speed encoder, and tracking switches; approval not available with load cell options 0 ... 4 or motor options 4C ... 4H³

Order Code*Further designs*

Please add **"-Z"** to article no. and specify order code(s).

Plastic shear curtain to control dust at the infeed for floodable materials and dusty applications¹⁾ **G12**

Pointek CLS100 Capacitance switch for plugged discharge chute detection **G11**

Belt cleaner, stainless steel, nylon brush, mounted under belt plow, cleaning dirty side of belt **G18**

Blue colored belt, anti-static, 2 ply, FDA approved⁴⁾ **G19**

Secondary speed encoder at motor (not for hazardous areas; not suitable for use with integrator) **G20**

Motor corrosion protection C5 acc. EN 12944 (available with standard AC motor) **G22**

Food grade Polyurethane sealing at infeed area **H50**

Discharge dust hood, painted mild steel with de-dust port **H51**

Discharge dust hood, 304 stainless steel with de-dust port **H52**

Discharge dust hood, 316L stainless steel with de-dust port **Y99**

Custom design Specify quote reference when ordering

Operating instructions

All literature is available to download for free, in a range of languages, at <https://www.siemens.com/weighing/documentation>

- 1) Available with material containment options D ... L only.
- 2) 575 V versions meet 4:1 ct inverter rating, all other voltages meet 10:1.
- 3) Available with Drive Configuration standard motor options only, all motors suitable for 400 V operation only.
- 4) Available only with Belting options A, B, and C.

Selection and ordering data	Article No.	Article No.
SITRANS WW200 Weighfeeder, 316L stainless steel, open style Accuracy is $\pm 0.5\%$ or better, with capacity up to 120 m ³ /h (4 237 ft ³ /h) Click on the Article No. for the online configuration in the PIA Life Cycle Portal. Add order code Y71 ... Y76 for all models to specify design data.	7MH7302-	7MH7302-
316L stainless steel, open style, with C/L infeed to C/L discharge <u>12 inch (305 mm) belt width</u> 52 inch (1 321 mm) 0 A 60 inch (1 524 mm) 0 B 68 inch (1 727 mm) 0 C 76 inch (1 930 mm) 0 D 84 inch (2 134 mm) 0 E 92 inch (2 337 mm) 0 F 100 inch (2 540 mm) 0 G 108 inch (2 743 mm) 0 H 116 inch (2 946 mm) 0 J <u>18 inch (457 mm) belt width</u> 52 inch (1 321 mm) 1 A 60 inch (1 524 mm) 1 B 68 inch (1 727 mm) 1 C 76 inch (1 930 mm) 1 D 84 inch (2 134 mm) 1 E 92 inch (2 337 mm) 1 F 100 inch (2 540 mm) 1 G 108 inch (2 743 mm) 1 H 116 inch (2 946 mm) 1 J <u>24 inch (610 mm) belt width</u> 52 inch (1 321 mm) 2 A 60 inch (1 524 mm) 2 B 68 inch (1 727 mm) 2 C 76 inch (1 930 mm) 2 D 84 inch (2 134 mm) 2 E 92 inch (2 337 mm) 2 F 100 inch (2 540 mm) 2 G 108 inch (2 743 mm) 2 H 116 inch (2 946 mm) 2 J <u>30 inch (762 mm) belt width</u> 52 inch (1 321 mm) 3 A 60 inch (1 524 mm) 3 B 68 inch (1 727 mm) 3 C 76 inch (1 930 mm) 3 D 84 inch (2 134 mm) 3 E 92 inch (2 337 mm) 3 F 100 inch (2 540 mm) 3 G 108 inch (2 743 mm) 3 H 116 inch (2 946 mm) 3 J		SITRANS WW200 Weighfeeder, 316L stainless steel, open style Accuracy is $\pm 0.5\%$ or better, with capacity up to 120 m ³ /h (4 237 ft ³ /h) <u>36 inch (914 mm) belt width</u> 52 inch (1 321 mm) 4 A 60 inch (1 524 mm) 4 B 68 inch (1 727 mm) 4 C 76 inch (1 930 mm) 4 D 84 inch (2 134 mm) 4 E 92 inch (2 337 mm) 4 F 100 inch (2 540 mm) 4 G 108 inch (2 743 mm) 4 H 116 inch (2 946 mm) 4 J <u>42 inch (1 067 mm) belt width</u> 52 inch (1 321 mm) 5 A 60 inch (1 524 mm) 5 B 68 inch (1 727 mm) 5 C 76 inch (1 930 mm) 5 D 84 inch (2 134 mm) 5 E 92 inch (2 337 mm) 5 F 100 inch (2 540 mm) 5 G 108 inch (2 743 mm) 5 H 116 inch (2 946 mm) 5 J <u>48 inch (1 219 mm) belt width</u> 52 inch (1 321 mm) 6 A 60 inch (1 524 mm) 6 B 68 inch (1 727 mm) 6 C 76 inch (1 930 mm) 6 D 84 inch (2 134 mm) 6 E 92 inch (2 337 mm) 6 F 100 inch (2 540 mm) 6 G 108 inch (2 743 mm) 6 H 116 inch (2 946 mm) 6 J

Weighfeeders

SITRANS WW200

Open style

Selection and ordering data

Article No.

SITRANS WW200 Weighfeeder, 316L stainless steel, open style	7MH7302-
Accuracy is ± 0.5 % or better, with capacity up to 120 m³/h (4 237 ft³/h)	
Material containment construction	
None	A
Add order code Y74 and plain text: "Arc radius in inches ... XX.XXX inch" for options H ... L	
<u>Shear gate inlet</u>	
Skirtboards 316L stainless steel	H
Skirtboards 316L stainless steel, with cover	J
Skirtboards 316L stainless steel, #4 polished	K
Skirtboards 316L stainless steel, #4 polished with cover	L
<u>Horseshoe inlet</u>	
316L stainless steel	P
316L stainless steel, #4 polished	Q
Load cell	
6 kg (13.2 lb) stainless steel, hermetically sealed	5
12 kg (26.5 lb) stainless steel, hermetically sealed	6
30 kg (66.1 lb) stainless steel, hermetically sealed	7
Speed sensor	
<u>Shaft mounted</u>	
1 000 PPR optical encoder	1
2 500 PPR optical encoder	2
1 000 PPR optical encoder, stainless steel	4
2 500 PPR optical encoder, stainless steel	5
Drive configuration	
Add order code Y75 (reduction ratio) and Y76 (electrical style).	
<u>Standard AC motor</u>	
0.5 HP (0.37 kW) 220 ... 240/380 ... 480 V 3 ph 50/60 Hz	0 C
0.5 HP (0.37 kW) 575 V 3 ph 60 Hz	0 D
1 HP (0.75 kW) 220 ... 240/380 ... 480 V 3 ph 50/60 Hz	0 G
1 HP (0.75 kW) 575 V 3 ph 60 Hz	0 H
<u>Food grade AC motor</u>	
0.25 HP (0.18 kW) 220 ... 240/380 ... 480 V 3 ph 50/60 Hz	4 A
0.25 HP (0.18 kW) 575 V 3 ph 60 Hz	4 B
0.5 HP (0.37 kW) 220 ... 240/380 ... 480 V 3 ph 50/60 Hz	4 C
0.5 HP (0.37 kW) 575 V 3 ph 60 Hz	4 D
0.75 HP (0.55 kW) 220 ... 240/380 ... 480 V 3 ph 50/60 Hz	4 E
0.75 HP (0.55 kW) 575 V 3 ph 60 Hz	4 F
1 HP (0.75 kW) 220 ... 240/380 ... 480 V 3 ph 50/60 Hz	4 G
1 HP (0.75 kW) 575 V 3 ph 60 Hz	4 H

Article No.

SITRANS WW200 Weighfeeder, 316L stainless steel, open style	7MH7302-
Accuracy is ± 0.5 % or better, with capacity up to 120 m³/h (4 237 ft³/h)	
Belting	
Polyurethane, 1.35 mm, anti-static, 2 ply, FDA approved	A
Polyurethane, 1.35 mm, anti-static, 2 ply, FDA approved, with B-section flange walls	B
Polyurethane, 1.35 mm, anti-static, 2 ply, FDA approved, with 2 inch (50 mm) corrugated side walls	C
Silicone, HT 177 °C (350 °F), anti-static 45 PIW, 2 ply, FDA approved	D
Polyurethane, 2.9 mm, anti-static, 2 ply, FDA approved	K
Polyurethane, 2.9 mm, anti-static, 2 ply, FDA approved, with B-section flange walls	L
Polyurethane, 2.9 mm, anti-static, 2 ply, FDA approved, with 2 inch (50 mm) corrugated side walls	M
Belt change access side (looking from inlet to discharge)	
Left hand	0
Right hand	1

5

Selection and ordering data	Order Code	Further designs	Order Code
<i>Further designs</i>		<i>Further designs</i>	
Please add "-Z" to article no. and specify order code(s).		Please add "-Z" to article no. and specify order code(s).	
Application Eng. reference number (max. 15 characters), specify in plain text.	Y31	Plastic shear curtain to control dust at the infeed for floodable materials and dusty applications ¹⁾	G11
Shear gate arc radius: Enter shear gate arc radius in inches (xxx.xx inch) ¹⁾	Y74	Pointek CLS100 Capacitance switch for plugged discharge chute detection	G12
Enter design units (TPH, MTPH, lb/h, kg/h)	Y71	Belt cleaner, stainless steel, nylon brush, mounted under belt plow, cleaning dirty side of belt	G14
Enter design speed (ft/m, m/s)	Y72	Blue colored belt, anti-static, 2 ply, FDA approved ⁴⁾	G18
Enter design capacity/rate	Y73	Secondary speed encoder at motor (not for hazardous areas; not suitable for use with integrator)	G19
AC gearmotor reduction ratio: Enter reduction ratio in plain text (X:1)	Y75	Motor corrosion protection C5 acc. EN 12944 (available with standard AC motor)	G20
AC gearmotor electrical style: enter IEC, UL-R/CSA or CCC style	Y76	Food grade Polyurethane sealing at infeed area	G22
Center material bed depth	Y77	Discharge dust hood, painted mild steel with de-dust port	H50
Custom length: Select next longest option and specify infeed CL to discharge CL in plain text (indicated inches or millimeters)	Y01	Discharge dust hood, 304 stainless steel with de-dust port	H51
Manufacturer's test certificate: According to EN 10204-2.2	C11	Discharge dust hood, 316L stainless steel with de-dust port	H52
Stainless steel tag [69 x 50 mm (2.71 x 1.97 inch)]; Measuring-point number/identification (max. 27 characters) specify in plain text	Y15	Custom design Specify quote reference when ordering	Y99
Class I, Div. 1, Groups C and D; Class II, Div. 1, Groups F and G, approved electrical components; without junction boxes	E90	<i>Operating instructions</i>	
ATEX II 2D approved electrical components; only available with speed encoder option 1 and 2; with Aluminum junction boxes	E91	All literature is available to download for free, in a range of languages, at https://www.siemens.com/weighing/documentation	
ATEX II 2D approved electrical components; only available with speed encoder option 4 and 5; with Stainless steel junction boxes	E92	¹⁾ Available with material containment options H ... L only.	
ATEX II 3D approved electrical components; only available with speed encoder option 1 and 2; with Aluminum junction boxes	E93	²⁾ 575 V versions meet 4:1 ct inverter rating, all other voltages meet 10:1.	
Note: weighfeeder does not carry hazardous approval, only motor, loadcells, speed encoder, and tracking switches; approval not available with load cell options 0 ... 4 or motor options 4C ... 4H ³⁾		³⁾ Available with Drive Configuration standard motor options only, all motors suitable for 400 V operation only.	
		⁴⁾ Available only with Belting options A, B, and C.	

Weighfeeders**SITRANS WW200****Enclosed style****Selection and ordering data****Article No.****Article No.****SITRANS WW200 Weighfeeder,
painted mild steel, enclosed style**

Accuracy is $\pm 0.5\%$ or better,
with capacity up to 120 m³/h (4 237 ft³/h)

➤ Click on the Article No. for the online
configuration in the PIA Life Cycle Portal.

Add order code Y71 ... Y76 for all models to
specify design data.

**Painted mild steel frame with painted mild steel
enclosure style with C/L infeed to C/L discharge**12 inch (305 mm) belt width

52 inch (1 321 mm)

60 inch (1 524 mm)

68 inch (1 727 mm)

76 inch (1 930 mm)

84 inch (2 134 mm)

92 inch (2 337 mm)

100 inch (2 540 mm)

108 inch (2 743 mm)

116 inch (2 946 mm)

18 inch (457 mm) belt width

52 inch (1 321 mm)

60 inch (1 524 mm)

68 inch (1 727 mm)

76 inch (1 930 mm)

84 inch (2 134 mm)

92 inch (2 337 mm)

100 inch (2 540 mm)

108 inch (2 743 mm)

116 inch (2 946 mm)

24 inch (610 mm) belt width

52 inch (1 321 mm)

60 inch (1 524 mm)

68 inch (1 727 mm)

76 inch (1 930 mm)

84 inch (2 134 mm)

92 inch (2 337 mm)

100 inch (2 540 mm)

108 inch (2 743 mm)

116 inch (2 946 mm)

30 inch (762 mm) belt width

52 inch (1 321 mm)

60 inch (1 524 mm)

68 inch (1 727 mm)

76 inch (1 930 mm)

84 inch (2 134 mm)

92 inch (2 337 mm)

100 inch (2 540 mm)

108 inch (2 743 mm)

7MH7303-



0 A

0 B

0 C

0 D

0 E

0 F

0 G

0 H

0 J

1 A

1 B

1 C

1 D

1 E

1 F

1 G

1 H

1 J

2 A

2 B

2 C

2 D

2 E

2 F

2 G

2 H

2 J

3 A

3 B

3 C

3 D

3 E

3 F

3 G

3 H

**SITRANS WW200 Weighfeeder,
painted mild steel, enclosed style**

Accuracy is $\pm 0.5\%$ or better,
with capacity up to 120 m³/h (4 237 ft³/h)

36 inch (914 mm) belt width

52 inch (1 321 mm)

60 inch (1 524 mm)

68 inch (1 727 mm)

76 inch (1 930 mm)

84 inch (2 134 mm)

92 inch (2 337 mm)

100 inch (2 540 mm)

108 inch (2 743 mm)

116 inch (2 946 mm)

42 inch (1 067 mm) belt width

52 inch (1 321 mm)

60 inch (1 524 mm)

68 inch (1 727 mm)

76 inch (1 930 mm)

84 inch (2 134 mm)

92 inch (2 337 mm)

100 inch (2 540 mm)

108 inch (2 743 mm)

116 inch (2 946 mm)

48 inch (1 219 mm) belt width

52 inch (1 321 mm)

60 inch (1 524 mm)

68 inch (1 727 mm)

76 inch (1 930 mm)

84 inch (2 134 mm)

92 inch (2 337 mm)

100 inch (2 540 mm)

108 inch (2 743 mm)

116 inch (2 946 mm)

7MH7303-



4 A

4 B

4 C

4 D

4 E

4 F

4 G

4 H

4 J

5 A

5 B

5 C

5 D

5 E

5 F

5 G

5 H

5 J

6 A

6 B

6 C

6 D

6 E

6 F

6 G

6 H

6 J

Selection and ordering data	Article No.		Article No.
SITRANS WW200 Weighfeeder, painted mild steel, enclosed style Accuracy is ± 0.5 % or better, with capacity up to 120 m ³ /h (4 237 ft ³ /h)	7MH7303-		7MH7303-
Material containment construction Add order code Y74 and plain text: "Arc radius in inches ... XX.XXX inch" for options D ... L <u>Shear gate inlet</u> Skirtboards 304 stainless steel Skirtboards 304 stainless steel, with cover Skirtboards 304 stainless steel, #4 polished Skirtboards 304 stainless steel, #4 polished with cover Skirtboards 316L stainless steel Skirtboards 316L stainless steel, with cover Skirtboards 316L stainless steel, #4 polished Skirtboards 316L stainless steel, #4 polished with cover	D E F G H J K L		
Load cell <u>Nickel plated steel</u> 10 kg (22 lb) 15 kg (33 lb) 20 kg (44 lb) 30 kg (66 lb) 50 kg (110 lb) <u>Stainless steel</u> 6 kg (13.2 lb) hermetically sealed 12 kg (26.5 lb) hermetically sealed 30 kg (66.1 lb) hermetically sealed	0 1 2 3 4 5 6 7		
Speed sensor <u>Shaft mounted</u> 1 000 PPR optical encoder 2 500 PPR optical encoder 1 000 PPR optical encoder, stainless steel 2 500 PPR optical encoder, stainless steel	1 2 4 5		
SITRANS WW200 Weighfeeder, painted mild steel, enclosed style Accuracy is ± 0.5 % or better, with capacity up to 120 m ³ /h (4 237 ft ³ /h)			7MH7303-
Drive configuration Add order code Y75 (reduction ratio) and Y76 (electrical style). <u>Standard AC motor</u> 0.5 HP (0.37 kW) 220 ... 240/380 ... 480 V 3 ph 50/60 Hz 0.5 HP (0.37 kW) 575 V 3 ph 60 Hz 1 HP (0.75 kW) 220 ... 240/380 ... 480 V 3 ph 50/60 Hz 1 HP (0.75 kW) 575 V 3 ph 60 Hz <u>Food grade AC motor</u> 0.25 HP (0.18 kW) 220 ... 240/380 ... 480 V 3 ph 50/60 Hz 0.25 HP (0.18 kW) 575 V 3 ph 60 Hz 0.5 HP (0.37 kW) 220 ... 240/380 ... 480 V 3 ph 50/60 Hz 0.5 HP (0.37 kW) 575 V 3 ph 60 Hz 0.75 HP (0.55 kW) 220 ... 240/380 ... 480 V 3 ph 50/60 Hz 0.75 HP (0.55 kW) 575 V 3 ph 60 Hz 1 HP (0.75 kW) 220 ... 240/380 ... 480 V 3 ph 50/60 Hz 1 HP (0.75 kW) 575 V 3 ph 60 Hz			0 C 0 D 0 G 0 H 4 A 4 B 4 C 4 D 4 E 4 F 4 G 4 H
Beltting Polyurethane, 1.35 mm, anti-static, 2 ply, FDA approved Polyurethane, 1.35 mm, anti-static, 2 ply, FDA approved, with B-section flange walls Polyurethane, 1.35 mm, anti-static, 2 ply, FDA approved, with 2 inch (50 mm) corrugated side walls Silicone, HT 177 °C (350 °F), anti-static 45 PIW, 2 ply, FDA approved Polyurethane, 2.9 mm, anti-static, 2 ply, FDA approved Polyurethane, 2.9 mm, anti-static, 2 ply, FDA approved, with B-section flange walls Polyurethane, 2.9 mm, anti-static, 2 ply, FDA approved, with 2 inch (50 mm) corrugated side walls			A B C D K L M
Belt change access side (looking from inlet to discharge) Left hand Right hand			0 1

Weighfeeders**SITRANS WW200****Enclosed style****Selection and ordering data****Order Code***Further designs*

Please add **"-Z"** to article no. and specify order code(s).

Application eng. reference number (max. 15 characters), specify in plain text. **Y31**

Shear gate arc radius: Enter shear gate arc radius in inches (xxx.xx inch)¹⁾ **Y74**

Enter design units (TPH, MTPH, lb/h, kg/h) **Y71**

Enter design speed (ft/m, m/s) **Y72**

Enter design capacity/rate **Y73**

AC gearmotor reduction ratio: Enter reduction ratio in plain text (X:1) **Y75**

AC gearmotor electrical style: enter IEC, UL-R/CSA or CCC style **Y76**

Center material bed depth **Y77**

Custom length: Select next longest option and specify infeed CL to discharge CL in plain text (indicated inches or millimeters) **Y01**

Manufacturer's test certificate: according to EN 10204-2.2 **C11**

Stainless steel tag [69 x 50 mm (2.71 x 1.97 inch)]; Measuring-point number/identification (max. 27 characters) specify in plain text **Y15**

Class I, Div. 1, Groups C and D; Class II, Div. 1, Groups F and G, approved electrical components; without junction boxes **E90**

ATEX II 2D approved electrical components; only available with speed encoder option 1 and 2; with Aluminum junction boxes **E91**

ATEX II 2D approved electrical components; only available with speed encoder option 4 and 5; with Stainless steel junction boxes **E92**

ATEX II 3D approved electrical components; only available with speed encoder option 1 and 2; with Aluminum junction boxes **E93**

Note: weighfeeder does not carry hazardous approval, only motor, loadcells, speed encoder, and tracking switches; approval not available with load cell options 0 ... 4 or motor options 4C ... 4H³⁾

Order Code*Further designs*

Please add **"-Z"** to article no. and specify order code(s).

Plastic shear curtain to control dust at the infeed for floodable materials and dusty applications¹⁾ **G11**

Pointek CLS100 Capacitance switch for plugged discharge chute detection **G12**

Belt cleaner, stainless steel, nylon brush, mounted under belt plow, cleaning dirty side of belt **G14**

Blue colored belt, anti-static, 2 ply, FDA approved⁴⁾ **G18**

Secondary speed encoder at motor (not for hazardous areas; not suitable for use with integrator) **G19**

Motor corrosion protection C5 acc. EN 12944 (available with standard AC motor) **G20**

Food grade Polyurethane sealing at infeed area **G22**

Custom design Specify quote reference when ordering **Y99**

Operating instructions

All literature is available to download for free, in a range of languages, at <https://www.siemens.com/weighing/documentation>

- 1) Available with material containment options D ... L only.
- 2) 575 V versions meet 4:1 ct inverter rating, all other voltages meet 10:1.
- 3) Available with Drive Configuration standard motor options only, all motors suitable for 400 V operation only.
- 4) Available only with Belting options A, B, and C.

Selection and ordering data	Article No.	Article No.
SITRANS WW200 Weighfeeder, 304 stainless steel frame with painted mild steel enclosure Accuracy is $\pm 0.5\%$ or better, with capacity up to 120 m ³ /h (4 237 ft ³ /h). Click on the Article No. for the online configuration in the PIA Life Cycle Portal. Add order code Y71 ... Y76 for all models to specify design data.	7MH7304-	SITRANS WW200 Weighfeeder, 304 stainless steel frame with painted mild steel enclosure Accuracy is $\pm 0.5\%$ or better, with capacity up to 120 m ³ /h (4 237 ft ³ /h).
		36 inch (91 mm) belt width
		52 inch (1 321 mm)
	0 A	60 inch (1 524 mm)
	0 B	68 inch (1 727 mm)
	0 C	76 inch (1 930 mm)
	0 D	84 inch (2 134 mm)
	0 E	92 inch (2 337 mm)
	0 F	100 inch (2 540 mm)
	0 G	108 inch (2 743 mm)
	0 H	116 inch (2 946 mm)
	0 J	42 inch (1 067 mm) belt width
304 stainless steel frame with painted mild steel enclosure style with C/L infeed to C/L discharge 12 inch (305 mm) belt width		52 inch (1 321 mm)
52 inch (1 321 mm)	0 A	60 inch (1 524 mm)
60 inch (1 524 mm)	0 B	68 inch (1 727 mm)
68 inch (1 727 mm)	0 C	76 inch (1 930 mm)
76 inch (1 930 mm)	0 D	84 inch (2 134 mm)
184 inch (2 134 mm)	0 E	92 inch (2 337 mm)
92 inch (2 337 mm)	0 F	100 inch (2 540 mm)
100 inch (2 540 mm)	0 G	108 inch (2 743 mm)
108 inch (2 743 mm)	0 H	116 inch (2 946 mm)
116 inch (2 946 mm)	0 J	48 inch (1 219 mm) belt width
18 inch (457 mm) belt width		52 inch (1 321 mm)
52 inch (1 321 mm)	1 A	60 inch (1 524 mm)
60 inch (1 524 mm)	1 B	68 inch (1 727 mm)
68 inch (1 727 mm)	1 C	76 inch (1 930 mm)
76 inch (1 930 mm)	1 D	84 inch (2 134 mm)
84 inch (2 134 mm)	1 E	92 inch (2 337 mm)
92 inch (2 337 mm)	1 F	100 inch (2 540 mm)
100 inch (2 540 mm)	1 G	108 inch (2 743 mm)
108 inch (2 743 mm)	1 H	116 inch (2 946 mm)
116 inch (2 946 mm)	1 J	52 inch (1 321 mm)
24 inch (610 mm) belt width		60 inch (1 524 mm)
52 inch (1 321 mm)	2 A	68 inch (1 727 mm)
60 inch (1 524 mm)	2 B	76 inch (1 930 mm)
68 inch (1 727 mm)	2 C	84 inch (2 134 mm)
76 inch (1 930 mm)	2 D	92 inch (2 337 mm)
84 inch (2 134 mm)	2 E	100 inch (2 540 mm)
92 inch (2 337 mm)	2 F	108 inch (2 743 mm)
100 inch (2 540 mm)	2 G	116 inch (2 946 mm)
108 inch (2 743 mm)	2 H	
116 inch (2 946 mm)	2 J	
30 inch (762 mm) belt width		
52 inch (1 321 mm)	3 A	
60 inch (1 524 mm)	3 B	
68 inch (1 727 mm)	3 C	
76 inch (1 930 mm)	3 D	
84 inch (2 134 mm)	3 E	
92 inch (2 337 mm)	3 F	
100 inch (2 540 mm)	3 G	
108 inch (2 743 mm)	3 H	
116 inch (2 946 mm)	3 J	

Selection and ordering data	Order Code	Further designs	Order Code
<i>Further designs</i>		<i>Further designs</i>	
Please add "-Z" to article no. and specify order code(s).		Please add "-Z" to article no. and specify order code(s).	
Application Eng. reference number (max. 15 characters), specify in plain text.	Y31	Plastic shear curtain to control dust at the infeed for floodable materials and dusty applications ¹⁾	G11
Shear gate arc radius: Enter shear gate arc radius in inches (xxx.xx inch) ¹⁾	Y74	Pointek CLS100 Capacitance switch for plugged discharge chute detection	G12
Enter design units (TPH, MTPH, lb/h, kg/h)	Y71	Belt cleaner, stainless steel, nylon brush, mounted under belt plow, cleaning dirty side of belt	G14
Enter design speed (ft/m, m/s)	Y72	Blue colored belt, anti-static, 2 ply, FDA approved ⁴⁾	G18
Enter design capacity/rate	Y73	Secondary speed encoder at motor (not for hazardous areas; not suitable for use with integrator)	G19
AC gearmotor reduction ratio: Enter reduction ratio in plain text (X:1)	Y75	Motor corrosion protection C5 acc. EN 12944 (available with standard AC motor)	G20
AC gearmotor electrical style: enter IEC, UL-R/CSA or CCC style	Y76	Food grade Polyurethane sealing at infeed area	G22
Center material bed depth	Y77	Custom design	Y99
Custom length: Select next longest option and specify infeed CL to discharge CL in plain text (indicated inches or millimeters)	Y01	Specify quote reference when ordering	
Manufacturer's test certificate: according to EN 10204-2.2	C11	<i>Operating instructions</i>	
Stainless steel tag [69 x 50 mm (2.71 x 1.97 inch)]; Measuring-point number/identification (max. 27 characters) specify in plain text	Y15	All literature is available to download for free, in a range of languages, at https://www.siemens.com/weighing/documentation	
Class I, Div. 1, Groups C and D; Class II, Div. 1, Groups F and G, approved electrical components; without junction boxes	E90	1) Available with material containment options D ... L only.	
ATEX II 2D approved electrical components; only available with speed encoder option 1 and 2; with Aluminum junction boxes	E91	2) 575 V versions meet 4:1 ct inverter rating, all other voltages meet 10:1.	
ATEX II 2D approved electrical components; only available with speed encoder option 4 and 5; with Stainless steel junction boxes	E92	3) Available with Drive Configuration standard motor options only; all motors suitable for 400 V operation only.	
ATEX II 3D approved electrical components; only available with speed encoder option 1 and 2; with Aluminum junction boxes	E93	4) Available only with Belting options A, B, and C.	
Note: weighfeeder does not carry hazardous approval, only motor, loadcells, speed encoder, and tracking switches; approval not available with load cell options 0 ... 4 or motor options 4C ... 4H ³⁾			

Weighfeeders**SITRANS WW200****Enclosed style****Selection and ordering data****Article No.****Article No.****SITRANS WW200 Weighfeeder,
304 stainless steel frame and enclosure**

Accuracy is $\pm 0.5\%$ or better,
with capacity up to 120 m³/h (4 237 ft³/h).

➤ Click on the Article No. for the online
configuration in the PIA Life Cycle Portal.

Add order code Y71 ... Y76 for all models to
specify design data.

**304 stainless steel frame with 304 stainless steel
enclosure style with C/L infeed to C/L -discharge**12 inch (305 mm) belt width

52 inch (1 321 mm)

60 inch (1 524 mm)

68 inch (1 727 mm)

76 inch (1 930 mm)

84 inch (2 134 mm)

92 inch (2 337 mm)

100 inch (2 540 mm)

108 inch (2 743 mm)

116 inch (2 946 mm)

18 inch (457 mm) belt width

52 inch (1 321 mm)

60 inch (1 524 mm)

68 inch (1 727 mm)

76 inch (1 930 mm)

84 inch (2 134 mm)

92 inch (2 337 mm)

100 inch (2 540 mm)

108 inch (2 743 mm)

116 inch (2 946 mm)

24 inch (610 mm) belt width

52 inch (1 321 mm)

60 inch (1 524 mm)

68 inch (1 727 mm)

76 inch (1 930 mm)

84 inch (2 134 mm)

92 inch (2 337 mm)

100 inch (2 540 mm)

108 inch (2 743 mm)

116 inch (2 946 mm)

30 inch (762 mm) belt width

52 inch (1 321 mm)

60 inch (1 524 mm)

68 inch (1 727 mm)

76 inch (1 930 mm)

84 inch (2 134 mm)

92 inch (2 337 mm)

100 inch (2 540 mm)

108 inch (2 743 mm)

116 inch (2 946 mm)

7MH7305-

- - - - -

0 A

0 B

0 C

0 D

0 E

0 F

0 G

0 H

0 J

1 A

1 B

1 C

1 D

1 E

1 F

1 G

1 H

1 J

2 A

2 B

2 C

2 D

2 E

2 F

2 G

2 H

2 J

3 A

3 B

3 C

3 D

3 E

3 F

3 G

3 H

3 J

**SITRANS WW200 Weighfeeder,
304 stainless steel frame and enclosure**

Accuracy is $\pm 0.5\%$ or better,
with capacity up to 120 m³/h (4 237 ft³/h).

36 inch (914 mm) belt width

52 inch (1 321 mm)

60 inch (1 524 mm)

68 inch (1 727 mm)

76 inch (1 930 mm)

84 inch (2 134 mm)

92 inch (2 337 mm)

100 inch (2 540 mm)

108 inch (2 743 mm)

116 inch (2 946 mm)

42 inch (1 067 mm) belt width

52 inch (1 321 mm)

60 inch (1 524 mm)

68 inch (1 727 mm)

76 inch (1 930 mm)

84 inch (2 134 mm)

92 inch (2 337 mm)

100 inch (2 540 mm)

108 inch (2 743 mm)

116 inch (2 946 mm)

48 inch (1 219 mm) belt width

52 inch (1 321 mm)

60 inch (1 524 mm)

68 inch (1 727 mm)

76 inch (1 930 mm)

84 inch (2 134 mm)

92 inch (2 337 mm)

100 inch (2 540 mm)

108 inch (2 743 mm)

116 inch (2 946 mm)

7MH7305-

- - - - -

4 A

4 B

4 C

4 D

4 E

4 F

4 G

4 H

4 J

5 A

5 B

5 C

5 D

5 E

5 F

5 G

5 H

5 J

6 A

6 B

6 C

6 D

6 E

6 F

6 G

6 H

6 J

Selection and ordering data	Article No.	Article No.
SITRANS WW200 Weighfeeder, 304 stainless steel frame and enclosure Accuracy is ± 0.5 % or better, with capacity up to 120 m³/h (4 237 ft³/h).	7MH7305-	7MH7305-
Material containment construction Add order code Y74 and plain text: "Arc radius in inches ... XX.XXX inch" for options D ... L <u>Shear gate inlet</u> Skirtboards 304 stainless steel Skirtboards 304 stainless steel, with cover Skirtboards 304 stainless steel, #4 polished Skirtboards 304 stainless steel, #4 polished with cover Skirtboards 316L stainless steel Skirtboards 316L stainless steel, with cover Skirtboards 316L stainless steel, #4 polished Skirtboards 316L stainless steel, #4 polished with cover	D E F G H J K L	A B C D K L M
Load cell 6 kg (13.2 lb) stainless steel, hermetically sealed 12 kg (26.5 lb) stainless steel, hermetically sealed 30 kg (66.1 lb) stainless steel, hermetically sealed	5 6 7	
Speed sensor <u>Shaft mounted</u> 1 000 PPR optical encoder 2 500 PPR optical encoder 1 000 PPR optical encoder, stainless steel 2 500 PPR optical encoder, stainless steel	1 2 4 5	
Drive configuration Add order code Y75 (reduction ratio) and Y76 (electrical style). <u>Standard AC motor</u> 0.5 HP (0.37 kW) 220 ... 240/380 ... 480 V 3 ph 50/60 Hz 0.5 HP (0.37 kW) 575 V 3 ph 60 Hz 1 HP (0.75 kW) 220 ... 240/380 ... 480 V 3 ph 50/60 Hz 1 HP (0.75 kW) 575 V 3 ph 60 Hz	0 C 0 D 0 G 0 H	
<u>Food grade AC motor</u> 0.25 HP (0.18 kW) 220 ... 240/380 ... 480 V 3 ph 50/60 Hz 0.25 HP (0.18 kW) 575 V 3 ph 60 Hz 0.5 HP (0.37 kW) 220 ... 240/380 ... 480 V 3 ph 50/60 Hz 0.5 HP (0.37 kW) 575 V 3 ph 60 Hz 0.75 HP (0.55 kW) 220 ... 240/380 ... 480 V 3 ph 50/60 Hz 0.75 HP (0.55 kW) 575 V 3 ph 60 Hz 1 HP (0.75 kW) 220 ... 240/380 ... 480 V 3 ph 50/60 Hz 1 HP (0.75 kW) 575 V 3 ph 60 Hz	4 A 4 B 4 C 4 D 4 E 4 F 4 G 4 H	
SITRANS WW200 Weighfeeder, 304 stainless steel frame and enclosure Accuracy is ± 0.5 % or better, with capacity up to 120 m³/h (4 237 ft³/h).		
Beltting Polyurethane, 1.35 mm, anti-static, 2 ply, FDA approved Polyurethane, 1.35 mm, anti-static, 2 ply, FDA approved, with B-section flange walls Polyurethane, 1.35 mm, anti-static, 2 ply, FDA approved, with 2 inch (50 mm) corrugated side walls Silicone, HT 177 °C (350 °F), anti-static 45 PIW, 2 ply, FDA approved Polyurethane, 2.9 mm, anti-static, 2 ply, FDA approved Polyurethane, 2.9 mm, anti-static, 2 ply, FDA approved, with B-section flange walls Polyurethane, 2.9 mm, anti-static, 2 ply, FDA approved, with 2 inch (50 mm) corrugated side walls		
Belt change access side (looking from inlet to discharge) Left hand Right hand		0 1

Weighfeeders

SITRANS WW200

Enclosed style

Selection and ordering data

Order Code

Further designs

Please add **"-Z"** to article no. and specify order code(s).

Application Eng. reference number (max. 15 characters), specify in plain text. **Y31**

Shear gate arc radius: Enter shear gate arc radius in inches (xxx.xx inch)¹⁾ **Y74**

Enter design units (TPH, MTPH, lb/h, kg/h) **Y71**

Enter design speed (ft/m, m/s) **Y72**

Enter design capacity/rate **Y73**

AC gearmotor reduction ratio: Enter reduction ratio in plain text (X:1) **Y75**

AC gearmotor electrical style: enter IEC, UL-R/CSA or CCC style **Y76**

Center material bed depth **Y77**

Custom length: Select next longest option and specify infeed CL to discharge CL in plain text (indicated inches or millimeters) **Y01**

Manufacturer's test certificate: according to EN 10204-2.2 **C11**

Stainless steel tag [69 x 50 mm (2.71 x 1.97 inch)]; Measuring-point number/identification (max. 27 characters) specify in plain text **Y15**

Class I, Div. 1, Groups C and D; Class II, Div. 1, Groups F and G, approved electrical components; without junction boxes **E90**

ATEX II 2D approved electrical components; only available with speed encoder option 1 and 2; with Aluminum junction boxes **E91**

ATEX II 2D approved electrical components; only available with speed encoder option 4 and 5; with Stainless steel junction boxes **E92**

ATEX II 3D approved electrical components; only available with speed encoder option 1 and 2; with Aluminum junction boxes **E93**

Note: weighfeeder does not carry hazardous approval, only motor, loadcells, speed encoder, and tracking switches; approval not available with load cell options 0 ... 4 or motor options 4C ... 4H³⁾

Order Code

Further designs

Please add **"-Z"** to article no. and specify order code(s).

Plastic shear curtain to control dust at the infeed for floodable materials and dusty applications¹⁾ **G11**

Pointek CLS100 Capacitance switch for plugged discharge chute detection **G12**

Siemens start/stop, auto/manual, speed control, hand held operator **G13**

Belt cleaner, stainless steel, nylon brush, mounted under belt plow, cleaning dirty side of belt **G14**

Blue colored belt, anti-static, 2 ply, FDA approved⁴⁾ **G18**

Secondary speed encoder at motor (not for hazardous areas; not suitable for use with integrator) **G19**

Motor corrosion protection C5 acc. EN 12944 (available with standard AC motor) **G20**

Food grade Polyurethane sealing at infeed area **G22**

Custom design Specify quote reference when ordering **Y99**

Operating instructions

All literature is available to download for free, in a range of languages, at <https://www.siemens.com/weighing/documentation>

- 1) Available with material containment options D ... L only.
- 2) 575 V versions meet 4:1 ct inverter rating, all other voltages meet 10:1.
- 3) Available with Drive Configuration standard motor options only, all motors suitable for 400 V operation only.
- 4) Available only with Belting options A, B, and C.

Selection and ordering data	Article No.	Article No.
SITRANS WW200 Weighfeeder, 316L stainless steel frame with painted mild steel enclosure Accuracy is $\pm 0.5\%$ or better, with capacity up to 120 m ³ /h (4 237 ft ³ /h). Click on the Article No. for the online configuration in the PIA Life Cycle Portal. Add order code Y71 ... Y76 for all models to specify design data.	7MH7306-	SITRANS WW200 Weighfeeder, 316L stainless steel frame with painted mild steel enclosure Accuracy is $\pm 0.5\%$ or better, with capacity up to 120 m ³ /h (4 237 ft ³ /h).
316L stainless steel frame with painted mild steel enclosure style with C/L infeed to C/L discharge <u>12 inch (305 mm) belt width</u> 52 inch (1 321 mm) 0 A 60 inch (1 524 mm) 0 B 68 inch (1 727 mm) 0 C 76 inch (1 930 mm) 0 D 84 inch (2 134 mm) 0 E 92 inch (2 337 mm) 0 F 100 inch (2 540 mm) 0 G 108 inch (2 743 mm) 0 H 116 inch (2 946 mm) 0 J		<u>36 inch (914 mm) belt width</u> 52 inch (1 321 mm) 4 A 60 inch (1 524 mm) 4 B 68 inch (1 727 mm) 4 C 76 inch (1 930 mm) 4 D 84 inch (2 134 mm) 4 E 92 inch (2 337 mm) 4 F 100 inch (2 540 mm) 4 G 108 inch (2 743 mm) 4 H 116 inch (2 946 mm) 4 J
<u>18 inch (457 mm) belt width</u> 52 inch (1 321 mm) 1 A 60 inch (1 524 mm) 1 B 68 inch (1 727 mm) 1 C 76 inch (1 930 mm) 1 D 84 inch (2 134 mm) 1 E 92 inch (2 337 mm) 1 F 100 inch (2 540 mm) 1 G 108 inch (2 743 mm) 1 H 116 inch (2 946 mm) 1 J		<u>42 inch (1 067 mm) belt width</u> 52 inch (1 321 mm) 5 A 60 inch (1 524 mm) 5 B 68 inch (1 727 mm) 5 C 76 inch (1 930 mm) 5 D 84 inch (2 134 mm) 5 E 92 inch (2 337 mm) 5 F 100 inch (2 540 mm) 5 G 108 inch (2 743 mm) 5 H 116 inch (2 946 mm) 5 J
<u>24 inch (610 mm) belt width</u> 52 inch (1 321 mm) 2 A 60 inch (1 524 mm) 2 B 68 inch (1 727 mm) 2 C 76 inch (1 930 mm) 2 D 84 inch (2 134 mm) 2 E 92 inch (2 337 mm) 2 F 100 inch (2 540 mm) 2 G 108 inch (2 743 mm) 2 H 116 inch (2 946 mm) 2 J		<u>48 inch (1 219 mm) belt width</u> 52 inch (1 321 mm) 6 A 60 inch (1 524 mm) 6 B 68 inch (1 727 mm) 6 C 76 inch (1 930 mm) 6 D 84 inch (2 134 mm) 6 E 92 inch (2 337 mm) 6 F 100 inch (2 540 mm) 6 G 108 inch (2 743 mm) 6 H 116 inch (2 946 mm) 6 J
<u>30 inch (762 mm) belt width</u> 52 inch (1 321 mm) 3 A 60 inch (1 524 mm) 3 B 68 inch (1 727 mm) 3 C 76 inch (1 930 mm) 3 D 84 inch (2 134 mm) 3 E 92 inch (2 337 mm) 3 F 100 inch (2 540 mm) 3 G 108 inch (2 743 mm) 3 H 116 inch (2 946 mm) 3 J		

Weighfeeders

SITRANS WW200

Enclosed style

Selection and ordering data

Article No.

Article No.

SITRANS WW200 Weighfeeder, 316L stainless steel frame with painted mild steel enclosure

7MH7306-

SITRANS WW200 Weighfeeder, 316L stainless steel frame with painted mild steel enclosure

7MH7306-

Accuracy is ± 0.5 % or better, with capacity up to 120 m³/h (4 237 ft³/h).

Accuracy is ± 0.5 % or better, with capacity up to 120 m³/h (4 237 ft³/h).

Add order code Y74 and plain text: "Arc radius in inches ... XX.XXX" for options H ... L

Beltting

Shear gate inlet

Polyurethane, 1.35 mm, anti-static, 2 ply, FDA approved

Skirtboards 316L stainless steel

H

Polyurethane, 1.35 mm, anti-static, 2 ply, FDA approved, with B-section flange walls

A

Skirtboards 316L stainless steel, with cover

J

Skirtboards 316L stainless steel, #4 polished

K

Polyurethane, 1.35 mm, anti-static, 2 ply, FDA approved, with 2 inch (50 mm) corrugated side walls

B

Skirtboards 316L stainless steel, #4 polished with cover

L

Silicone, HT 177 °C (350 °F), anti-static 45 PIW, 2 ply, FDA approved

C

Load cell

6 kg (13.2 lb) stainless steel, hermetically sealed

5

Polyurethane, 2.9 mm, anti-static, 2 ply, FDA approved

D

12 kg (26.5 lb) stainless steel, hermetically sealed

6

Polyurethane, 2.9 mm, anti-static, 2 ply, FDA approved, with B-section flange walls

K

30 kg (66.1 lb) stainless steel, hermetically sealed

7

Polyurethane, 2.9 mm, anti-static, 2 ply, FDA approved, with 2 inch (50 mm) corrugated side walls

L

Speed sensor

Shaft mounted

1 000 PPR optical encoder

1

2 500 PPR optical encoder

2

1 000 PPR optical encoder, stainless steel

4

2 500 PPR optical encoder, stainless steel

5

Belt change access side (looking from inlet to discharge)

Left hand

0

Right hand

1

Drive configuration

Add order code Y75 (reduction ratio) and Y76 (electrical style).

Standard AC motor

0.5 HP (0.37 kW)
220 ... 240/380 ... 480 V 3 ph 50/60 Hz

0 C

0.5 HP (0.37 kW) 575 V 3 ph 60 Hz

0 D

1 HP (0.75 kW)
220 ... 240/380 ... 480 V 3 ph 50/60 Hz

0 G

1 HP (0.75 kW) 575 V 3 ph 60 Hz

0 H

Food grade AC motor

0.25 HP (0.18 kW)
220 ... 240/380 ... 480 V 3 ph 50/60 Hz

4 A

0.25 HP (0.18 kW) 575 V 3 ph 60 Hz

4 B

0.5 HP (0.37 kW)
220 ... 240/380 ... 480 V 3 ph 50/60 Hz

4 C

0.5 HP (0.37 kW) 575 V 3 ph 60 Hz

4 D

0.75 HP (0.55 kW)
220 ... 240/380 ... 480 V 3 ph 50/60 Hz

4 E

0.75 HP (0.55 kW) 575 V 3 ph 60 Hz

4 F

1 HP (0.75 kW)
220 ... 240/380 ... 480 V 3 ph 50/60 Hz

4 G

1 HP (0.75 kW) 575 V 3 ph 60 Hz

4 H

Selection and ordering data	Order Code	Further designs	Order Code
<i>Further designs</i>		<i>Further designs</i>	
Please add "-Z" to article no. and specify order code(s).		Please add "-Z" to article no. and specify order code(s).	
Application Eng. reference number (max. 15 characters), specify in plain text.	Y31	Plastic shear curtain to control dust at the infeed for floodable materials and dusty applications ¹⁾	G11
Shear gate arc radius: Enter shear gate arc radius in inches (xxx.xx inch) ¹⁾	Y74	Pointek CLS100 Capacitance switch for plugged discharge chute detection	G12
Enter design units (TPH, MTPH, lb/h, kg/h)	Y71	Belt cleaner, stainless steel, nylon brush, mounted under belt plow, cleaning dirty side of belt	G14
Enter design speed (ft/m, m/s)	Y72	Blue colored belt, anti-static, 2 ply, FDA approved ⁴⁾	G18
Enter design capacity/rate	Y73	Secondary speed encoder at motor (not for hazardous areas; not suitable for use with integrator)	G19
AC gearmotor reduction ratio: Enter reduction ratio in plain text (X:1)	Y75	Motor corrosion protection C5 acc. EN 12944 (available with standard AC motor)	G20
AC gearmotor electrical style: enter IEC, UL-R/CSA or CCC style	Y76	Food grade Polyurethane sealing at infeed area	G22
Center material bed depth	Y77	Custom design Specify quote reference when ordering	Y99
Custom length: Select next longest option and specify infeed CL to discharge CL in plain text (indicated inches or millimeters)	Y01	<i>Operating instructions</i>	
Manufacturer's test certificate: According to EN 10204-2.2	C11	All literature is available to download for free, in a range of languages, at https://www.siemens.com/weighing/documentation	
Stainless steel tag [69 x 50 mm (2.71 x 1.97 inch)]; Measuring-point number/identification (max. 27 characters) specify in plain text	Y15	<ol style="list-style-type: none"> 1) Available with material containment options H ... L only. 2) 575 V versions meet 4:1 ct inverter rating, all other voltages meet 10:1. 3) Available with Drive Configuration standard motor options only, all motors suitable for 400 V operation only. 4) Available only with Belting options A, B, and C. 	
Class I, Div. 1, Groups C and D; Class II, Div. 1, Groups F and G, approved electrical components; without junction boxes	E90		
ATEX II 2D approved electrical components; only available with speed encoder option 1 and 2; with Aluminum junction boxes	E91		
ATEX II 2D approved electrical components; only available with speed encoder option 4 and 5; with Stainless steel junction boxes	E92		
ATEX II 3D approved electrical components; only available with speed encoder option 1 and 2; with Aluminum junction boxes	E93		
Note: weighfeeder does not carry hazardous approval, only motor, loadcells, speed encoder, and tracking switches; approval not available with load cell options 0 ... 4 or motor options 4C ... 4H ³⁾			

Weighfeeders**SITRANS WW200****Enclosed style****Selection and ordering data****Article No.****Article No.****SITRANS WW200 Weighfeeder,
316L stainless steel frame with
304 stainless steel enclosure**

Accuracy is $\pm 0.5\%$ or better,
with capacity up to 120 m³/h (4 237 ft³/h).

➤ Click on the Article No. for the online
configuration in the PIA Life Cycle Portal.

Add order code Y71 ... Y76 for all models to
specify design data.

**316L stainless steel frame with 304 stainless
steel enclosure style with C/L infeed to C/L
discharge**12 inch (305 mm) belt width

52 inch (1 321 mm)

60 inch (1 524 mm)

68 inch (1 727 mm)

76 inch (1 930 mm)

84 inch (2 134 mm)

92 inch (2 337 mm)

100 inch (2 540 mm)

108 inch (2 743 mm)

116 inch (2 946 mm)

18 inch (457 mm) belt width

52 inch (1 321 mm)

60 inch (1 524 mm)

68 inch (1 727 mm)

76 inch (1 930 mm)

84 inch (2 134 mm)

92 inch (2 337 mm)

100 inch (2 540 mm)

108 inch (2 743 mm)

116 inch (2 946 mm)

24 inch (610 mm) belt width

52 inch (1 321 mm)

60 inch (1 524 mm)

68 inch (1 727 mm)

76 inch (1 930 mm)

84 inch (2 134 mm)

92 inch (2 337 mm)

100 inch (2 540 mm)

108 inch (2 743 mm)

116 inch (2 946 mm)

30 inch (762 mm) belt width

52 inch (1 321 mm)

60 inch (1 524 mm)

68 inch (1 727 mm)

76 inch (1 930 mm)

84 inch (2 134 mm)

92 inch (2 337 mm)

100 inch (2 540 mm)

108 inch (2 743 mm)

116 inch (2 946 mm)

7MH7307-

■ ■ ■ ■ - ■ ■ ■ ■ ■

0 A**0 B****0 C****0 D****0 E****0 F****0 G****0 H****0 J****1 A****1 B****1 C****1 D****1 E****1 F****1 G****1 H****1 J****2 A****2 B****2 C****2 D****2 E****2 F****2 G****2 H****2 J****3 A****3 B****3 C****3 D****3 E****3 F****3 G****3 H****3 J****SITRANS WW200 Weighfeeder,
316L stainless steel frame with
304 stainless steel enclosure**

Accuracy is $\pm 0.5\%$ or better,
with capacity up to 120 m³/h (4 237 ft³/h).

36 inch (914 mm) belt width

52 inch (1 321 mm)

60 inch (1 524 mm)

68 inch (1 727 mm)

76 inch (1 930 mm)

84 inch (2 134 mm)

92 inch (2 337 mm)

100 inch (2 540 mm)

108 inch (2 743 mm)

116 inch (2 946 mm)

42 inch (1 067 mm) belt width

52 inch (1 321 mm)

60 inch (1 524 mm)

68 inch (1 727 mm)

76 inch (1 930 mm)

84 inch (2 134 mm)

92 inch (2 337 mm)

100 inch (2 540 mm)

108 inch (2 743 mm)

116 inch (2 946 mm)

48 inch (1 219 mm) belt width

52 inch (1 321 mm)

60 inch (1 524 mm)

68 inch (1 727 mm)

76 inch (1 930 mm)

84 inch (2 134 mm)

92 inch (2 337 mm)

100 inch (2 540 mm)

108 inch (2 743 mm)

116 inch (2 946 mm)

7MH7307-

■ ■ ■ ■ - ■ ■ ■ ■ ■

4 A**4 B****4 C****4 D****4 E****4 F****4 G****4 H****4 J****5 A****5 B****5 C****5 D****5 E****5 F****5 G****5 H****5 J****6 A****6 B****6 C****6 D****6 E****6 F****6 G****6 H****6 J**

Selection and ordering data	Article No.	Article No.	
SITRANS WW200 Weighfeeder, 316L stainless steel frame with 304 stainless steel enclosure Accuracy is ± 0.5 % or better, with capacity up to 120 m ³ /h (4 237 ft ³ /h).	7MH7307-	7MH7307-	
Material containment construction Add order code Y74 and plain text: "Arc radius in inches ... XX.XXX inch" for options H ... L Shear gate inlet and skirtboards 316L stainless steel Shear gate inlet and skirtboards 316L stainless steel, with cover Shear gate inlet and skirtboards 316L stainless steel, #4 polished Shear gate inlet and skirtboards 316L stainless steel, #4 polished with cover	H J K L		
Load cell 6 kg (13.2 lb) stainless steel, hermetically sealed 12 kg (26.5 lb) stainless steel, hermetically sealed 30 kg (66.1 lb) stainless steel, hermetically sealed	5 6 7		
Speed sensor 1 000 PPR shaft mounted optical encoder 2 500 PPR shaft mounted optical encoder 1 000 PPR shaft mounted optical encoder, stainless steel 2 500 PPR shaft mounted optical encoder, stainless steel	1 2 4 5		
Drive configuration Add order code Y75 (reduction ratio) and Y76 (electrical style). Standard AC motor 0.5 HP (0.37 kW) 220 ... 240/380 ... 480 V 3 ph 50/60 Hz 0.5 HP (0.37 kW) 575 V 3 ph 60 Hz 1 HP (0.75 kW) 220 ... 240/380 ... 480 V 3 ph 50/60 Hz 1 HP (0.75 kW) 575 V 3 ph 60 Hz	0 C 0 D 0 G 0 H		
		SITRANS WW200 Weighfeeder, 316L stainless steel frame with 304 stainless steel enclosure Accuracy is ± 0.5 % or better, with capacity up to 120 m ³ /h (4 237 ft ³ /h). Food grade AC motor 0.25 HP (0.18 kW) 220 ... 240/380 ... 480 V 3 ph 50/60 Hz 0.25 HP (0.18 kW) 575 V 3 ph 60 Hz 0.5 HP (0.37 kW) 220 ... 240/380 ... 480 V 3 ph 50/60 Hz 0.5 HP (0.37 kW) 575 V 3 ph 60 Hz 0.75 HP (0.55 kW) 220 ... 240/380 ... 480 V 3 ph 50/60 Hz 0.75 HP (0.55 kW) 575 V 3 ph 60 Hz 1 HP (0.75 kW) 220 ... 240/380 ... 480 V 3 ph 50/60 Hz 1 HP (0.75 kW) 575 V 3 ph 60 Hz	4 A 4 B 4 C 4 D 4 E 4 F 4 G 4 H
		Belting Polyurethane, 1.35 mm, anti-static, 2 ply, FDA approved Polyurethane, 1.35 mm, anti-static, 2 ply, FDA approved, with B-section flange walls Polyurethane, 1.35 mm, anti-static, 2 ply, FDA approved, with 2 inch (5 mm) corrugated side walls Silicone, HT 177 °C (350 °F), anti-static 45 PIW, 2 ply, FDA approved Polyurethane, 2.9 mm, anti-static, 2 ply, FDA approved Polyurethane, 2.9 mm, anti-static, 2 ply, FDA approved, with B-section flange walls Polyurethane, 2.9 mm, anti-static, 2 ply, FDA approved, with 2 inch (50 mm) corrugated side walls	A B C D K L M
		Belt change access side (looking from inlet to discharge) Left hand Right hand	0 1

Weighfeeders

SITRANS WW200

Enclosed style

Selection and ordering data

Order Code

Further designs

Please add **"-Z"** to article no. and specify order code(s).

Application Eng. reference number (max. 15 characters), specify in plain text. **Y31**

Shear gate arc radius: Enter shear gate arc radius in inches (xxx.xx inch)¹⁾ **Y74**

Enter design units (TPH, MTPH, lb/h, kg/h) **Y71**

Enter design speed (ft/m, m/s) **Y72**

Enter design capacity/rate **Y73**

AC gearmotor reduction ratio: Enter reduction ratio in plain text (X:1) **Y75**

AC gearmotor electrical style: enter IEC, UL-R/CSA or CCC style **Y76**

Center material bed depth **Y77**

Custom length: Select next longest option and specify infeed CL to discharge CL in plain text (indicated inches or millimeters) **Y01**

Manufacturer's test certificate: according to EN 10204-2.2 **C11**

Stainless steel tag [69 x 50 mm (2.71 x 1.97 inch)]; Measuring-point number/identification (max. 27 characters) specify in plain text **Y15**

Class I, Div. 1, Groups C and D; Class II, Div. 1, Groups F and G, approved electrical components; without junction boxes **E90**

ATEX II 2D approved electrical components; only available with speed encoder option 1 and 2; with Aluminum junction boxes **E91**

ATEX II 2D approved electrical components; only available with speed encoder option 4 and 5; with Stainless steel junction boxes **E92**

ATEX II 3D approved electrical components; only available with speed encoder option 1 and 2; with Aluminum junction boxes **E93**

Note: weighfeeder does not carry hazardous approval, only motor, loadcells, speed encoder, and tracking switches; approval not available with load cell options 0 ... 4 or motor options 4C ... 4H³⁾

Order Code

Further designs

Please add **"-Z"** to article no. and specify order code(s).

Plastic shear curtain to control dust at the infeed for floodable materials and dusty applications¹⁾ **G11**

Pointek CLS100 Capacitance switch for plugged discharge chute detection **G12**

Belt cleaner, stainless steel, nylon brush, mounted under belt plow, cleaning dirty side of belt **G14**

Blue colored belt, anti-static, 2 ply, FDA approved⁴⁾ **G18**

Secondary speed encoder at motor (not for hazardous areas; not suitable for use with integrator) **G19**

Motor corrosion protection C5 acc. EN 12944 (available with standard AC motor) **G20**

Food grade Polyurethane sealing at infeed area **G22**

Custom design Specify quote reference when ordering **Y99**

Operating instructions

All literature is available to download for free, in a range of languages, at <http://www.siemens.com/weighing/documentation>

- 1) Available with material containment options H ... L only.
- 2) 575 V versions meet 4:1 ct inverter rating, all other voltages meet 10:1.
- 3) Available with Drive Configuration standard motor options only, all motors suitable for 400 V operation only.
- 4) Available only with Belting options A, B, and C.

Selection and ordering data	Article No.	Article No.
SITRANS WW200 Weighfeeder, 316L stainless steel frame and enclosure Accuracy is $\pm 0.5\%$ or better, with capacity up to 120 m ³ /h (4 237 ft ³ /h). Click on the Article No. for the online configuration in the PIA Life Cycle Portal. Add order code Y71 ... Y76 for all models to specify design data.	7MH7308-	7MH7308-
316L stainless steel frame with 316L stainless steel enclosure style with C/L infeed to C/L discharge <u>12 inch (305 mm) belt width</u> 52 inch (1 321 mm) 0 A 60 inch (1 524 mm) 0 B 68 inch (1 727 mm) 0 C 76 inch (1 930 mm) 0 D 84 inch (2 134 mm) 0 E 92 inch (2 337 mm) 0 F 100 inch (2 540 mm) 0 G 108 inch (2 743 mm) 0 H 116 inch (2 946 mm) 0 J <u>18 inch (457 mm) belt width</u> 52 inch (1 321 mm) 1 A 60 inch (1 524 mm) 1 B 68 inch (1 727 mm) 1 C 76 inch (1 930 mm) 1 D 84 inch (2 134 mm) 1 E 92 inch (2 337 mm) 1 F 100 inch (2 540 mm) 1 G 108 inch (2 743 mm) 1 H 116 inch (2 946 mm) 1 J <u>24 inch (610 mm) belt width</u> 52 inch (1 321 mm) 2 A 60 inch (1 524 mm) 2 B 68 inch (1 727 mm) 2 C 76 inch (1 930 mm) 2 D 84 inch (2 134 mm) 2 E 92 inch (2 337 mm) 2 F 100 inch (2 540 mm) 2 G 108 inch (2 743 mm) 2 H 116 inch (2 946 mm) 2 J <u>30 inch (762 mm) belt width</u> 52 inch (1 321 mm) 3 A 60 inch (1 524 mm) 3 B 68 inch (1 727 mm) 3 C 76 inch (1 930 mm) 3 D 84 inch (2 134 mm) 3 E 92 inch (2 337 mm) 3 F 100 inch (2 540 mm) 3 G 108 inch (2 743 mm) 3 H 116 inch (2 946 mm) 3 J		SITRANS WW200 Weighfeeder, 316L stainless steel frame and enclosure Accuracy is $\pm 0.5\%$ or better, with capacity up to 120 m ³ /h (4 237 ft ³ /h). <u>36 inch (914 mm) belt width</u> 52 inch (1 321 mm) 4 A 60 inch (1 524 mm) 4 B 68 inch (1 727 mm) 4 C 76 inch (1 930 mm) 4 D 84 inch (2 134 mm) 4 E 92 inch (2 337 mm) 4 F 100 inch (2 540 mm) 4 G 108 inch (2 743 mm) 4 H 116 inch (2 946 mm) 4 J <u>42 inch (1 067 mm) belt width</u> 52 inch (1 321 mm) 5 A 60 inch (1 524 mm) 5 B 68 inch (1 727 mm) 5 C 76 inch (1 930 mm) 5 D 84 inch (2 134 mm) 5 E 92 inch (2 337 mm) 5 F 100 inch (2 540 mm) 5 G 108 inch (2 743 mm) 5 H 116 inch (2 946 mm) 5 J <u>48 inch (1 219 mm) belt width</u> 52 inch (1 321 mm) 6 A 60 inch (1 524 mm) 6 B 68 inch (1 727 mm) 6 C 76 inch (1 930 mm) 6 D 84 inch (2 134 mm) 6 E 92 inch (2 337 mm) 6 F 100 inch (2 540 mm) 6 G 108 inch (2 743 mm) 6 H 116 inch (2 946 mm) 6 J

Selection and ordering data	Order Code	Further designs	Order Code
<i>Further designs</i>		<i>Further designs</i>	
Please add "-Z" to article no. and specify order code(s).		Please add "-Z" to article no. and specify order code(s).	
Application Eng. reference number (max. 15 characters), specify in plain text.	Y31	Plastic shear curtain to control dust at the infeed for floodable materials and dusty applications ¹⁾	G11
Shear gate arc radius: Enter shear gate arc radius in inches (xxx.xx inch) ¹⁾	Y74	Pointek CLS100 Capacitance switch for plugged discharge chute detection	G12
Enter design units (TPH, MTPH, lb/h, kg/h)	Y71	Belt cleaner, stainless steel, nylon brush, mounted under belt plow, cleaning dirty side of belt	G14
Enter design speed (ft/m, m/s)	Y72	Blue colored belt, anti-static, 2 ply, FDA approved ⁴⁾	G18
Enter design capacity/rate	Y73	Secondary speed encoder at motor (not for hazardous areas; not suitable for use with integrator)	G19
AC gearmotor reduction ratio: Enter reduction ratio in plain text (X:1)	Y75	Motor corrosion protection C5 acc. EN 12944 (available with standard AC motor)	G20
AC gearmotor electrical style: enter IEC, UL-R/CSA or CCC style	Y76	Food grade Polyurethane sealing at infeed area	G22
Center material bed depth	Y77	Custom design Specify quote reference when ordering	Y99
Custom length: Select next longest option and specify infeed CL to discharge CL in plain text (indicated inches or millimeters)	Y01	<i>Operating instructions</i>	
Manufacturer's test certificate: according to EN 10204-2.2	C11	All literature is available to download for free, in a range of languages, at https://www.siemens.com/weighing/documentation	
Stainless steel tag [69 x 50 mm (2.71 x 1.97 inch)]; Measuring-point number/identification (max. 27 characters) specify in plain text	Y15	<ol style="list-style-type: none"> 1) Available with material containment options H ... L only. 2) 575 V versions meet 4:1 ct inverter rating, all other voltages meet 10:1. 3) Available with Drive Configuration standard motor options only, all motors suitable for 400 V operation only. 4) Available only with Belting options A, B, and C. 	
Class I, Div. 1, Groups C and D; Class II, Div. 1, Groups F and G, approved electrical components; without junction boxes	E90		
ATEX II 2D approved electrical components; only available with speed encoder option 1 and 2; with Aluminum junction boxes	E91		
ATEX II 2D approved electrical components; only available with speed encoder option 4 and 5; with Stainless steel junction boxes	E92		
ATEX II 3D approved electrical components; only available with speed encoder option 1 and 2; with Aluminum junction boxes	E93		
Note: weighfeeder does not carry hazardous approval, only motor, loadcells, speed encoder, and tracking switches; approval not available with load cell options 0 ... 4 or motor options 4C ... 4H ³⁾			

Weighfeeders

SITRANS WW200

Accessories and spare parts

Selection and ordering data

Accessories

Test chain 1.62 lb/ft, 2.41 kg/m - 60 inches long

Test chain 1.62 lb/ft, 2.41 kg/m - 1 000 mm long

Start, Stop, Hand/Off/Auto, speed pot local operator station

CLS100 plugged discharge chute retrofit kit (includes CLS100, material hood)

Calibration hanger weights

200 g (0.4 lb)

500 g (1.1 lb)

1 000 g (2.2 lb)

2 000 g (4.4 lb)

3 500 g (7.7 lb)

5 000 g (11 lb)

7 500 g (16.5 lb)

8 500 g (18.7 lb)

10 000 (22 lb)

12 000 g (26.5 lb)

15 000 g (33.1 lb)

Note: calibration accessories should be ordered as a separate item on the order.

Spare parts

6 kg (13.2 lb) stainless steel load cell

12 kg (26.4 lb) stainless steel load cell

30 kg (66.2 lb) stainless steel load cell

10 kg (22 lb) nickel plated steel load cell

15 kg (33.1 lb) nickel plated steel load cell

20 kg (44 lb) nickel plated steel load cell

30 kg (66.2 lb) nickel plated steel load cell

50 kg (110.2 lb) nickel plated steel load cell

500 PPR optical encoder

1 000 PPR optical encoder

2 500 PPR optical encoder

Optical encoder connector

Speed encoder plug-in with cable

Encoder, Stainless steel, 500 PPR

Speed Encoder, 1 000 PPR, stainless steel

Speed Encoder, 2 500 PPR, stainless steel

Magnetic proximity switch

Motor mounted sensor flange 56C

Termination board for Junction Box

Belt tracking switch

Belt tracking switch, ATEX II 2D/Class I, Div. 1, Groups C and D, Class II, Div. 1, Groups F and G

WW200 outline approval drawing

Head bearing replacement kit mild steel (includes 2 bearings)¹⁾

Tail bearing replacement kit mild steel (includes 2 bearings)¹⁾

Head bearing replacement kit stainless steel (includes 2 bearings)

Tail bearing replacement kit stainless steel (includes 2 bearings)

Skirtboard seal replacement kit, 7 meters

Article No.

7MH7723-1NF

7MH7723-1SK

7MH7723-1JA

7MH7723-1JE

7MH7724-1AF

7MH7724-1AG

7MH7724-1AH

7MH7724-1AJ

7MH7724-1BQ

7MH7724-1AK

7MH7724-1BR

7MH7724-1BS

7MH7724-1BT

7MH7724-1BU

7MH7724-1BV

7MH5117-1QD00

7MH5117-2BD00

7MH5117-2KD00

7MH7725-1EK

7MH7725-1EL

7MH7725-1EM

7MH7725-1EN

7MH7725-1EP

6FX20012PA50

6FX20012PB00

6FX20012PC50

6FX20030SU12

7MH7723-1KM

7MH7723-1HG

7MH7723-1HH

7MH7723-1HJ

7MH7723-1GA

7MH7723-1RB

A5E03623963

3SE5112-0CR01

7MH7723-1RA

7MH7726-1BU

7MH7723-1QM

7MH7723-1QN

7MH7723-1QP

7MH7723-1QQ

7MH7723-1QR

Article No.

Accessories

Enclosure latches stainless steel (includes 5 latches)

Polyurethane sealing, white

Polyurethane sealing, blue

Guide rollers

Spare Brush, 12 inch belt width

Spare Brush, 18 inch belt width

Spare Brush, 24 inch belt width

Spare Brush, 30 inch belt width

Spare Brush, 36 inch belt width

Spare Brush, 42 inch belt width

Spare Brush, 48 inch belt width

Weighdeck Slider bar, PE-HD, 1 piece

Telescopers, set of 2, mild steel

Telescopers, set of 2, stainless steel

Spare scraper blade, 12 inch belt width

Spare scraper blade, 18 inch belt width

Spare scraper blade, 24 inch belt width

Spare scraper blade, 30 inch belt width

Spare scraper blade, 36 inch belt width

Spare scraper blade, 42 inch belt width

Spare scraper blade, 48 inch belt width

Hazardous rated electrical spare parts

Optical encoders

500 PPR optical encoder, Class I, Div. 1, Groups C and D, Class II, Div. 1, Groups F and G

1 000 PPR optical encoder, Class I, Div. 1, Groups C and D, Class II, Div. 1, Groups F and G

2 500 PPR optical encoder, Class I, Div. 1, Groups C and D, Class II, Div. 1, Groups F and G

1 000 PPR optical encoder, ATEX II 2D

2 000 PPR optical encoder, ATEX II 2D

¹⁾ Suitable for weighfeeders made in CA prior to 2016.

7MH7723-1QT

7MH7723-1SF

7MH7723-1SG

7MH7723-1SM

7MH7723-1SN

7MH7723-1SP

7MH7723-1SQ

7MH7723-1SR

7MH7723-1SS

7MH7723-1ST

7MH7723-1SU

7MH7723-1SV

7MH7723-1SW

7MH7723-1SX

7MH7726-1TA

7MH7726-1TB

7MH7726-1TC

7MH7726-1TD

7MH7726-1TE

7MH7726-1TF

7MH7726-1TG

7MH7723-1QU

7MH7723-1QV

7MH7723-1QW

7MH7723-1QX

7MH7723-1QY

Selection and ordering data	Article No.	Article No.
SITRANS WW200 Spare Belts Endless belt for use with WW200 weighfeeders 7MH7300 to 7MH7308; pulley CL data based on telescoper in fully retracted position ↗ Click on the Article No. for the online configuration in the PIA Life Cycle Portal.	7MH7204-	SITRANS WW200 Spare Belts Endless belt for use with WW200 weighfeeders 7MH7300 to 7MH7308; pulley CL data based on telescoper in fully retracted position
Belt size 12 inch (305 mm) belt width		92 inch (2 337 mm) C/L Infeed to C/L Discharge, 94.5 inch (2 400 mm) pulley C/L to C/L per weighfeeder 1 F 100 inch (2 540 mm) C/L Infeed to C/L Discharge, 102.5 inch (2 604 mm) pulley C/L to C/L per weighfeeder 1 G 108 inch (2 743 mm) C/L Infeed to C/L Discharge, 110.5 inch (2 807 mm) pulley C/L to C/L per weighfeeder 1 H 116 inch (2 946 mm) C/L Infeed to C/L Discharge, 118.5 inch (3 010 mm) pulley C/L to C/L per weighfeeder 1 J
52 inch (1 321 mm) C/L Infeed to C/L Discharge, 54.5 inch (1 384 mm) pulley C/L to C/L per weighfeeder; total belt length 3 305 mm (130.1 inch) 0 A 60 inch (1 524 mm) C/L Infeed to C/L Discharge, 62.5 inch (1 588 mm) pulley C/L to C/L per weighfeeder; total belt length 3 715 mm (146.3 inch) 0 B 68 inch (1 727 mm) C/L Infeed to C/L Discharge, 70.5 inch (1 791 mm) pulley C/L to C/L per weighfeeder; total belt length 4 120 mm (162.2 inch) 0 C 76 inch (1 930 mm) C/L Infeed to C/L Discharge, 78.5 inch (1 994 mm) pulley C/L to C/L per weighfeeder; total belt length 4 525 mm (178.2 inch) 0 D 84 inch (2 134 mm) C/L Infeed to C/L Discharge, 86.5 inch (2 197 mm) pulley C/L to C/L per weighfeeder; total belt length 4 935 mm (194.3 inch) 0 E 92 inch (2 337 mm) C/L Infeed to C/L Discharge, 94.5 inch (2 400 mm) pulley C/L to C/L per weighfeeder; total belt length 5 340 mm (210.2 inch) 0 F 100 inch (2 540 mm) C/L Infeed to C/L Discharge, 102.5 inch (2 604 mm) pulley C/L to C/L per weighfeeder; total belt length 5 745 mm (226.2 inch) 0 G 108 inch (2 743 mm) C/L Infeed to C/L Discharge, 110.5 inch (2 807 mm) pulley C/L to C/L per weighfeeder; total belt length 6 150 mm (242.1 inch) 0 H 116 inch (2 946 mm) C/L Infeed to C/L Discharge, 118.5 inch (3 010 mm) pulley C/L to C/L per weighfeeder; total belt length 6 560 mm (258.3 inch) 0 J		24 inch (610 mm) belt width 52 inch (1 321 mm) C/L Infeed to C/L Discharge, 54.5 inch (1 384 mm) pulley C/L to C/L per weighfeeder 2 A 60 inch (1 524 mm) C/L Infeed to C/L Discharge, 62.5 inch (1 588 mm) pulley C/L to C/L per weighfeeder 2 B 68 inch (1 727 mm) C/L Infeed to C/L Discharge, 70.5 inch (1 791 mm) pulley C/L to C/L per weighfeeder 2 C 76 inch (1 930 mm) C/L Infeed to C/L Discharge, 78.5 inch (1 994 mm) pulley C/L to C/L per weighfeeder 2 D 84 inch (2 134 mm) C/L Infeed to C/L Discharge, 86.5 inch (2 197 mm) pulley C/L to C/L per weighfeeder 2 E 92 inch (2 337 mm) C/L Infeed to C/L Discharge, 94.5 inch (2 400 mm) pulley C/L to C/L per weighfeeder 2 F 100 inch (2 540 mm) C/L Infeed to C/L Discharge, 102.5 inch (2 604 mm) pulley C/L to C/L per weighfeeder 2 G 108 inch (2 743 mm) C/L Infeed to C/L Discharge, 110.5 inch (2 807 mm) pulley C/L to C/L per weighfeeder 2 H 116 inch (2 946 mm) C/L Infeed to C/L Discharge, 118.5 inch (3 010 mm) pulley C/L to C/L per weighfeeder 2 J
18 inch (610 mm) belt width 52 inch (1 321 mm) C/L Infeed to C/L Discharge, 54.5 inch (1 384 mm) pulley C/L to C/L per weighfeeder 1 A 60 inch (1 524 mm) C/L Infeed to C/L Discharge, 62.5 inch (1 588 mm) pulley C/L to C/L per weighfeeder 1 B 68 inch (1 727 mm) C/L Infeed to C/L Discharge, 70.5 inch (1 791 mm) pulley C/L to C/L per weighfeeder 1 C 76 inch (1 930 mm) C/L Infeed to C/L Discharge, 78.5 inch (1 994 mm) pulley C/L to C/L per weighfeeder 1 D 84 inch (2 134 mm) C/L Infeed to C/L Discharge, 86.5 inch (2 197 mm) pulley C/L to C/L per weighfeeder 1 E		

Weighfeeders**SITRANS WW200****Accessories and spare parts****Selection and ordering data****Article No.****Article No.****SITRANS WW200 Spare Belts**

Endless belt for use with WW200 weighfeeders 7MH7300 to 7MH7308; pulley CL data based on telescoper in fully retracted position

30 inch (762 mm) belt width

52 inch (1 321 mm) C/L Infeed to C/L Discharge, 54.5 inch (1 384 mm) pulley C/L to C/L per weighfeeder

3 A

60 inch (1 524 mm) C/L Infeed to C/L Discharge, 62.5 inch (1 588 mm) pulley C/L to C/L per weighfeeder

3 B

68 inch (1 727 mm) C/L Infeed to C/L Discharge, 70.5 inch (1 791 mm) pulley C/L to C/L per weighfeeder

3 C

76 inch (1 930 mm) C/L Infeed to C/L Discharge, 78.5 inch (1 994 mm) pulley C/L to C/L per weighfeeder

3 D

84 inch (2 134 mm) C/L Infeed to C/L Discharge, 86.5 inch (2 197 mm) pulley C/L to C/L per weighfeeder

3 E

92 inch (2 337 mm) C/L Infeed to C/L Discharge, 94.5 inch (2 400 mm) pulley C/L to C/L per weighfeeder

3 F

100 inch (2 540 mm) C/L Infeed to C/L Discharge, 102.5 inch (2 604 mm) pulley C/L to C/L per weighfeeder

3 G

108 inch (2 743 mm) C/L Infeed to C/L Discharge, 110.5 inch (2 807 mm) pulley C/L to C/L per weighfeeder

3 H

116 inch (2 946 mm) C/L Infeed to C/L Discharge, 118.5 inch (3 010 mm) pulley C/L to C/L per weighfeeder

3 J36 inch (914 mm) belt width

52 inch (1 321 mm) C/L Infeed to C/L Discharge, 54.5 inch (1 384 mm) pulley C/L to C/L per weighfeeder

4 A

60 inch (1 524 mm) C/L Infeed to C/L Discharge, 62.5 inch (1 588 mm) pulley C/L to C/L per weighfeeder

4 B

68 inch (1 727 mm) C/L Infeed to C/L Discharge, 70.5 inch (1 791 mm) pulley C/L to C/L per weighfeeder

4 C

76 inch (1 930 mm) C/L Infeed to C/L Discharge, 78.5 inch (1 994 mm) pulley C/L to C/L per weighfeeder

4 D

84 inch (2 134 mm) C/L Infeed to C/L Discharge, 86.5 inch (2 197 mm) pulley C/L to C/L per weighfeeder

4 E

92 inch (2 337 mm) C/L Infeed to C/L Discharge, 94.5 inch (2 400 mm) pulley C/L to C/L per weighfeeder

4 F

100 inch (2 540 mm) C/L Infeed to C/L Discharge, 102.5 inch (2 604 mm) pulley C/L to C/L per weighfeeder

4 G

108 inch (2 743 mm) C/L Infeed to C/L Discharge, 110.5 inch (2 807 mm) pulley C/L to C/L per weighfeeder

4 H

116 inch (2 946 mm) C/L Infeed to C/L Discharge, 118.5 inch (3 010 mm) pulley C/L to C/L per weighfeeder

4 J**SITRANS WW200 Spare Belts**

Endless belt for use with WW200 weighfeeders 7MH7300 to 7MH7308; pulley CL data based on telescoper in fully retracted position

42 inch (1 067 mm) belt width

52 inch (1 321 mm) C/L Infeed to C/L Discharge, 54.5 inch (1 384 mm) pulley C/L to C/L per weighfeeder

5 A

60 inch (1 524 mm) C/L Infeed to C/L Discharge, 62.5 inch (1 588 mm) pulley C/L to C/L per weighfeeder

5 B

68 inch (1 727 mm) C/L Infeed to C/L Discharge, 70.5 inch (1 791 mm) pulley C/L to C/L per weighfeeder

5 C

76 inch (1 930 mm) C/L Infeed to C/L Discharge, 78.5 inch (1 994 mm) pulley C/L to C/L per weighfeeder

5 D

84 inch (2 134 mm) C/L Infeed to C/L Discharge, 86.5 inch (2 197 mm) pulley C/L to C/L per weighfeeder

5 E

92 inch (2 337 mm) C/L Infeed to C/L Discharge, 94.5 inch (2 400 mm) pulley C/L to C/L per weighfeeder

5 F

100 inch (2 540 mm) C/L Infeed to C/L Discharge, 102.5 inch (2 604 mm) pulley C/L to C/L per weighfeeder

5 G

108 inch (2 743 mm) C/L Infeed to C/L Discharge, 110.5 inch (2 807 mm) pulley C/L to C/L per weighfeeder

5 H

116 inch (2 946 mm) C/L Infeed to C/L Discharge, 118.5 inch (3 010 mm) pulley C/L to C/L per weighfeeder

5 J**5**

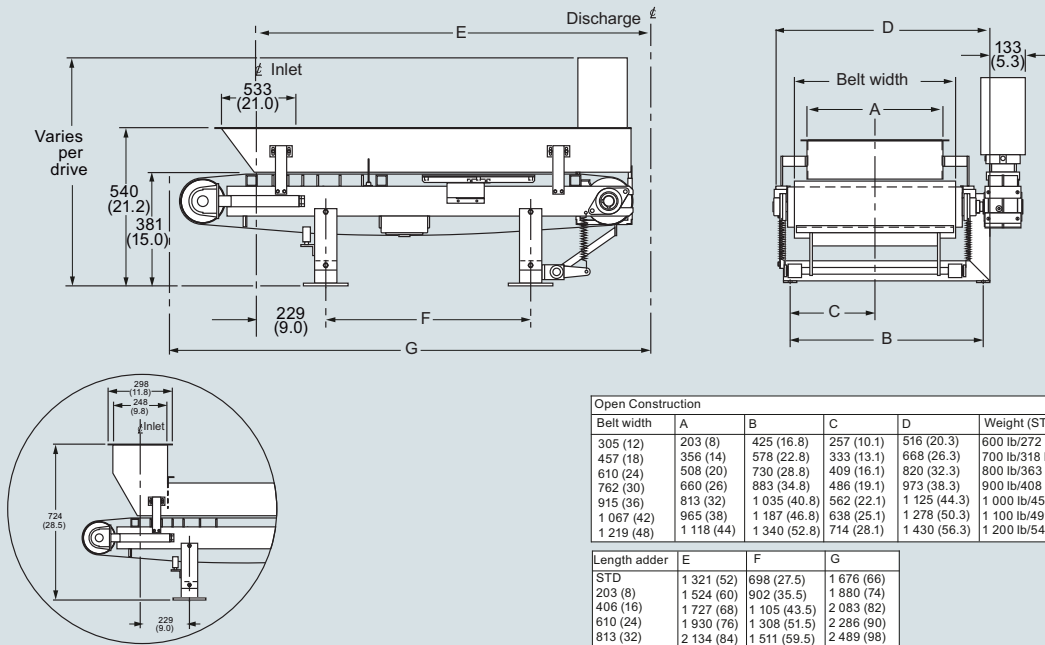
Selection and ordering data	Article No.
SITRANS WW200 Spare Belts	7MH7204-
Endless belt for use with WW200 weighfeeders 7MH7300 to 7MH7308; pulley CL data based on telescoper in fully retracted position	
48 inch (1 219 mm) belt width	
52 inch (1 321 mm) C/L Infeed to C/L Discharge, 54.5 inch (1 384 mm) pulley C/L to C/L per weighfeeder	6 A
60 inch (1 524 mm) C/L Infeed to C/L Discharge, 62.5 inch (1 588 mm) pulley C/L to C/L per weighfeeder	6 B
68 inch (1 727 mm) C/L Infeed to C/L Discharge, 70.5 inch (1 791 mm) pulley C/L to C/L per weighfeeder	6 C
76 inch (1 930 mm) C/L Infeed to C/L Discharge, 78.5 inch (1 994 mm) pulley C/L to C/L per weighfeeder	6 D
84 inch (2 134 mm) C/L Infeed to C/L Discharge, 86.5 inch (2 197 mm) pulley C/L to C/L per weighfeeder	6 E
92 inch (2 337 mm) C/L Infeed to C/L Discharge, 94.5 inch (2 400 mm) pulley C/L to C/L per weighfeeder	6 F
100 inch (2 540 mm) C/L Infeed to C/L Discharge, 102.5 inch (2 604 mm) pulley C/L to C/L per weighfeeder	6 G
108 inch (2 743 mm) C/L Infeed to C/L Discharge, 110.5 inch (2 807 mm) pulley C/L to C/L per weighfeeder	6 H
116 inch (2 946 mm) C/L Infeed to C/L Discharge, 118.5 inch (3 010 mm) pulley C/L to C/L per weighfeeder	6 J
Belt type	
Polyurethane anti static, 1,35 mm thick, FDA approved, white	A
Polyurethane anti static, 1,35 mm thick, FDA approved, blue	B
Polyurethane anti static, 2,9 mm thick, 2 ply FDA approved, white	C
Silicone, High temp. belt 180 °C (350 °F); 2 ply, antistatic, FDA approved	E
Belt design	
Standard	1
6 mm B-section flange walls	2
50 mm (2 inch) corrugated side walls	3
Further designs	Order Code
Please add "-Z" to article no. and specify order code(s).	
Select next longest option and specify infeed CL to Discharge CL per weighfeeder in plain text (indicated inches or millimeters)	Y01
Note: Y01 order code info indicates special length on weighfeeder.	
Operating instructions	
All literature is available to download for free, in a range of languages, at https://www.siemens.com/weighing/documentation	

Weighfeeders SITRANS WW200

Dimensional drawings and schematics

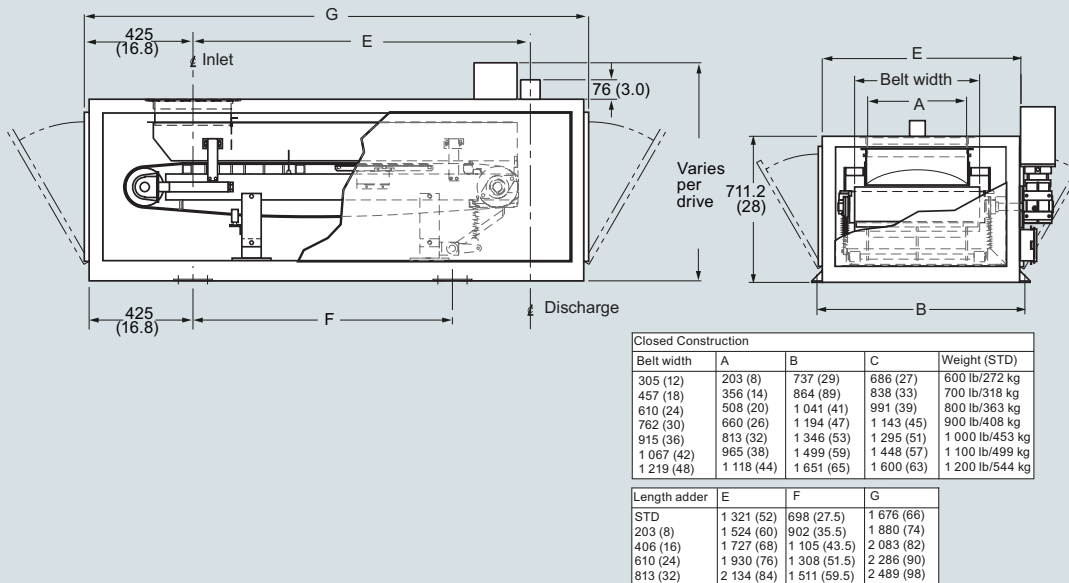
Dimensional drawings

Open Construction



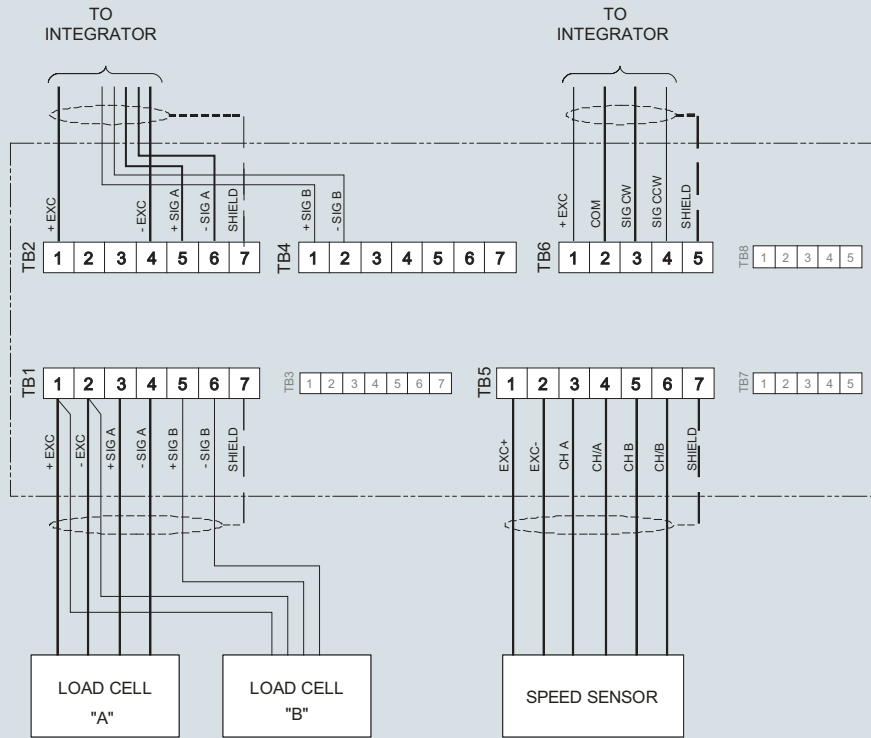
Shear gate infeed version

Closed Construction



SITRANS WW200, dimensions in mm (inch)

Circuit diagrams



Note: termination box not supplied on hazardous rated options.

SITRANS WW200 connections

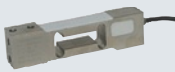

Weighfeeders

Weighfeeder accessories


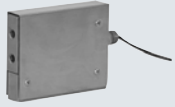
Weighfeeder peripherals

Selection and ordering data

Milltronics Weighfeeder 400, 600, and 800

	Article No.	
For aluminum model, use nickel plated alloy steel		
Nickel plated, standard duty		
10 kg (22 lb)	7MH7725-1EK	
15 kg (33.1 lb)	7MH7725-1EL	
20 kg (44 lb)	7MH7725-1EM	
30 kg (66.2 lb)	7MH7725-1EN	
Stainless steel		
6 kg (13.2 lb)	7MH7725-1EG	
12 kg (26.4 lb)	7MH7725-1EH	
30 kg (66.2 lb)	7MH7725-1EJ	
11.3 kg (25 lb)	PBD-23900224	
22.7 kg (50 lb)	PBD-23900225	
45.4 kg (100 lb)	PBD-23900242	

Milltronics Weighfeeder 1200, SITRANS WW300 and WW310 spare load cells

	Article No.	
Nickel plated, standard duty		
10 kg (22 lb)	7MH7725-1EK	
15 kg (33.1 lb)	7MH7725-1EL	
20 kg (44 lb)	7MH7725-1EM	
30 kg (66.2 lb)	7MH7725-1EN	
50 kg (110.2 lb)	7MH7725-1EP	
75 kg (165 lb)	7MH7725-1CS	
100 kg (220 lb)	7MH7725-1CT	
Nickel plated, heavy duty		
50 kg (110.2 lb)	7MH7725-1CU	
100 kg (220.5 lb)	7MH7725-1CV	
150 kg (330.7 lb)	7MH7725-1CW	
200 kg (440.9 lb)	7MH7725-1CX	
Stainless steel		
<u>Stainless steel load cell</u> <u>[17-4 PH (1.4568) stainless steel</u> <u>construction with 304 (1.4301)</u> <u>stainless steel cover</u>		
22.7 kg (50 lb)	7MH7725-1AC	
45.4 kg (100 lb)	7MH7725-1AD	
113.4 kg (250 lb)	7MH7725-1AE	
226.8 kg (500 lb)	7MH7725-1AF	
11 kg (25 lb), CSA/FM/ATEX/IEC EX	7MH7725-1DQ	
23 kg (50 lb), CSA/FM/ATEX/IEC EX	7MH7725-1DL	
45 kg (100 lb), CSA/FM/ATEX/IEC EX	7MH7725-1DM	
113 kg (250 lb), CSA/FM/ATEX/IEC EX	7MH7725-1DN	
227 kg (500 lb), CSA/FM/ATEX/IEC EX	7MH7725-1DP	
6 kg (13.2 lb)	7MH7725-1EG	
12 kg (26.5 lb)	7MH7725-1EH	
30 kg (66.1 lb)	7MH7725-1EJ	
24 kg (50 lb), CSA/FM/ATEX/IEC EX	7MH7725-1DT	
45 kg (100 lb), CSA/FM/ATEX/IEC EX	7MH7725-1DU	
113 kg (250 lb), CSA/FM/ATEX/IEC EX	7MH7725-1DV	

Calibration hanger weights

	Article No.
200 g (0.4 lb)	7MH7724-1AF
500 g (1.1 lb)	7MH7724-1AG
1 000 g (2.2 lb)	7MH7724-1AH
2 000 g (4.4 lb)	7MH7724-1AJ
3 500 g (7.7 lb)	7MH7724-1BQ
5 000 g (11 lb)	7MH7724-1AK
7 500 g (16.5 lb)	7MH7724-1BR
8 500 g (18.7 lb)	7MH7724-1BS
10 000 g (22 lb)	7MH7724-1BT
12 000 g (26.5 lb)	7MH7724-1BU
15 000 g (33.1 lb)	7MH7724-1BV

SITRANS WW300 and WW310 spare parts and accessories

	Article No.
Start, Stop, Hand/Off/Auto, speed pot local operator station	7MH7723-1JA
500 PPR optical encoder	6FX2001-2PA50
1 000 PPR optical encoder	6FX2001-2PB00
2 500 PPR optical encoder	6FX2001-2PC50
Optical encoder connector	6FX2003-0SU12
Siemens encoder connector with 20 ft cable	7MH7723-1KM
Belt tracking switch	3SE5112-0CR01
Belt tracking switch, ATEX II 2D/Class I, Div. 1, Groups C and D, Class II, Div. 1, Groups F and G	7MH7723-1RA
Pull cord switch	3SE7120-2DD01
Pull cord switch cable	3SE7910-3AA
Pull cord switch cable clamp	3SE7941-1AC
Termination box 1, 2, 4 load cell and speed sensor, mild steel	7MH7723-1ND
Termination box 1, 2, 4 load cell and speed sensor, stainless steel	7MH7723-1NE
Bearing, flange, NTN, UCF2, 1 ... 15/16 inch, 4-bolt	A5E01213250
Bearing, flange, NTN, UCF2, 2 ... 15/16 inch, 4-bolt	A5E03856041
Bearing, PB, UCP, 1 ... 7/16 inch	A5E01213243
Bearing, PB, UCP, 2 ... 7/16 inch	PBD-24191273