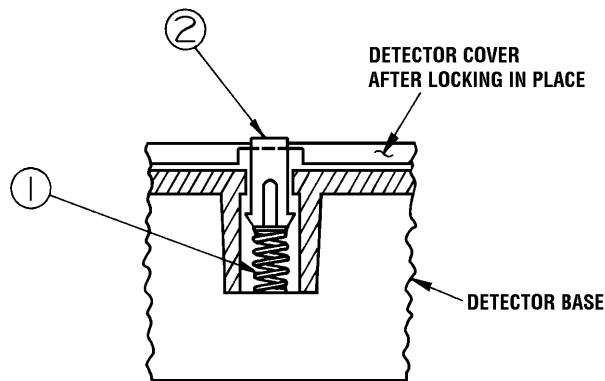
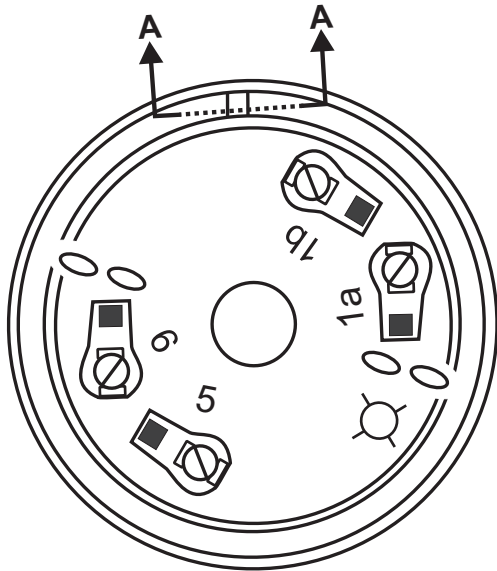


# SIEMENS

## Installation Instructions

Base Detector Lock for  
Models DB-3S and DB-4



**SECTION A-A**  
ASSEMBLY OF DB-3S BASE DETECTOR LOCK

### PARTS

INSTALLATION KIT	P/N 545-080117
PLASTIC TAB	P/N 195-280120
SPRING	P/N 385-180119
INSTRUCTION SHEET	P/N 315-080240
POLY BAG	P/N 470-014880

### TOOLS REQUIRED

SCREW DRIVER AND NEEDLENOSE PLIERS

### INSTALLATION PROCEDURE

**NOTE:** THE BASE MUST BE REMOVED FROM CEILING TO INSTALL THE LOCKING DEVICE.

THESE INSTRUCTIONS APPLY TO BOTH THE DB-3S AND DB-4 BASES.

1. REMOVE DETECTOR FROM BASE, IF DETECTOR IS IN THE BASE.
2. POSITION SPRING ①\* IN MODEL DB-3S SLOT AS SHOWN.
3. POSITION PLASTIC TAB ②\* IN THE SAME SLOT OVER THE SPRING.
4. PRESS THE PLASTIC TAB FIRMLY INWARD AND LET IT GO. (THE TAB WILL AUTOMATICALLY LOCK IN PLACE).
5. REINSTALL DETECTOR TO BASE. (POSITION OF DETECTOR COVER WILL BE AS SHOWN IN SECTION A-A DOTTED LINE).

○\* CIRCLED NUMBER REFERS TO PART NUMBERS IN ILLUSTRATION.

### REMOVAL PROCEDURE

1. PRESS THE PLASTIC TAB DOWN WITH SCREW DRIVER TO CLEAR DETECTOR SLOT AND SIMULTANEOUSLY TURN THE DETECTOR COUNTER CLOCKWISE.
2. REMOVE THE DETECTOR FROM BASE.
3. REMOVE THE SCREW DRIVER.
4. HOLD THE PLASTIC TAB WITH NEEDLENOSE PLIERS AND PULL OUT. PULL OUT THE SPRING WITH NEEDLENOSE PLIERS.
5. REINSTALL DETECTOR TO BASE.

Siemens Industry, Inc.  
Building Technologies Division  
Florham Park, NJ

P/N 315-080240-5

Siemens Building Technologies, Ltd.  
Fire Safety & Security Products  
2 Kenview Boulevard  
Brampton, Ontario  
L6T 5E4 Canada