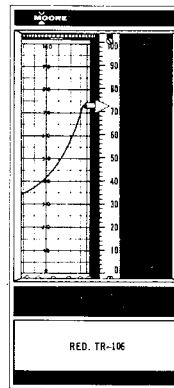


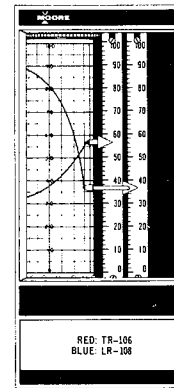
# Pneumatic 3 X 6 Strip-Chart Recorders

## FEATURES

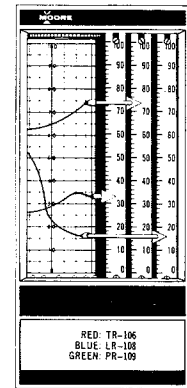
- Servo-positioned pen assemblies
- Snap-in magazine assembly for convenient chart changes
- Separate torque motor for high-speed chart rewind
- Unobstructed access to pens and reservoir



**MODEL 5319**  
*one-pen*  
*(red)*



**MODEL 5329**  
*two-pen*  
*(red, blue)*



**MODEL 5339**  
*three-pen*  
*(red, blue, green)*

Series 53 \_ 9 strip-chart recorders may be mounted as individual units or in multiples in a single cutout along with any other Moore Products Co. 3 x 6 instrument (Series 528, 5407, 547 or 548). They can be used to indicate and record up to 3 pneumatic input signals.

## PERFORMANCE DATA

Calibrated Accuracy .....  $\pm 0.5\%$  FS  
 Repeatability ..... 0.2% FS  
 Response Level ..... 0.1% FS

## DESIGN SPECIFICATIONS - (see reverse side)

## ORDERING INFORMATION

1. Select model number from table below.
2. Calibration range (if other than 3-15 psig).
3. Specify chart graduation.
4. Specify scale range for each pen (by color).
5. Specify options (if required).

Type	Model Number
	Universal* Rear Block
One-Pen	5319M
Two-Pen	5329M
Three-Pen	5339M

Note: See Bulletin 9003 for standard charts

### \*Universal Rear Block

1. Permits up to 5 instruments to be piped to a common supply point.
2. Enables substitution of any Moore Products Co. 3 x 6 pneumatic recorder chassis or SYNCRO III chassis without removing the case from the panel.

## OPTIONS & ACCESSORIES

1. Dual Speed Chart Drive motor 120 Vac, 60 Hz (7/8" per minute and 7/8" per hour) with 3 position, "center-off" selector switch on chassis.
2. Chart drive on-off switch.
3. Alarm Switches.
4. Pneumatic Impulse Chart Drive.
5. Non-Standard Input Ranges (other than std. 3-15 psig) - Any input range from 3-13.5 psig to 3-16.5 psig. (Specify range desired.)
6. Optional Chart Speeds - 13-1/8" per minute thru 7/8" per hour in selected steps.
7. Angle Mounting Calibration - Recorder suitable for mounting on panel face tilted back from vertical up to 45 degrees with recalibration; 72 degrees with factory modification. (Specify angle desired.)
8. Identification Tag - Rear-mounted stainless steel tag, permanently affixed.
9. Coded legend card, advise required text (available space for 4 lines of text with 28 characters per line).
10. Mounting Trim Strips (P/N 14480-161) - Two pieces of decorative metal trim with adhesive backing to improve appearance of right and left edges of each panel cutout.
11. 3 x 6 Patch Panel for trend recording (P/N 15049) — Patch Panel furnished in 3 x 6 configuration, for use with recorders, allows selective recording of any 3 of 12 pneumatic signals.
12. Pen Assemblies - A standard, permanent, stainless steel pen with replaceable ink cartridge which provides a minimum trace length capacity of 1000 ft., or a disposable pen assembly with integral ink reservoir with a trace length capacity of 2000 ft.

DESIGN SPECIFICATIONS

Dimensions

Bezel Size: 3" wide x 6-5/8" high  
 Station Depth: 27-9/16" behind panel face  
 Panel Cutout: single station 3-1/16" wide x 6-1/32" high (+1/16 -0). Multiple stations add 3.010" to width for each additional station.

Chart

Type: 4" strip, rectilinear vertical scale

Pens

Number of pens per unit:  
 Model 5319 1 red  
 Model 5329 1 red, 1 blue  
 Model 5339 1 red, 1 blue, 1 green

Scales (1 per pen)

White vinyl with black inscription, 4" scale length graduated in process units.

Chart Drive

Type: removable snap-in magazine  
 Speed: 7/8" hour normal (optional speeds available)  
 Rewind Mechanism: (electric units) - Torque motor type. (pneumatic impulse drive units) - slip clutch.  
 Chart Capacity: 31 days @ 7/8" hour

Mounting

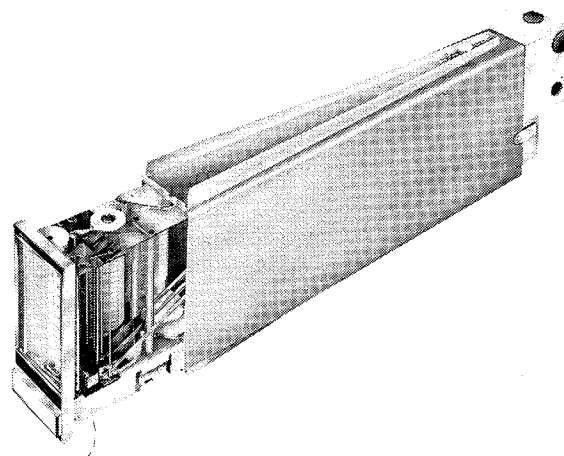
Flush vertical panel (1/8" to 1" thick) suitable for panels with up to 45 degrees tilt back from vertical with recalibration.

Pen Actuator

Type: Pneumatic servo driven  
 Damping: Integral non-adjustable  
 Input: 3-15 psig or 20-100 kPa normal  
 Span Adjust Range: 10.5 to 13.5 psig  
 Zero Adjust Range: 0 to 7 psig  
 Overrange Protection: Application of 30 psig to input will not damage unit.

Connections

Pneumatic: 1/8" NPT pipe taps (female)  
 Electrical: Conduit 3 access holes 1/2", 3/4" & 1" size  
 Wiring: Enclosed terminal strip with #6 screw connections



Ambient Limits

10° F to 100° F, 20% to 90% RH with standard ink  
 25° F to 130° F, 20% to 90% RH with optional ink

Supply Requirements

Pneumatic: 20 psig - .035 SCFM per pen normal consumption  
 18 psig minimum  
 25 psig maximum  
 Electric: 120 Vac ±10% 60 Hz - 8 watts normal (other voltages & frequencies available)

Materials of Construction

Aluminum, brass, cadmium plated steel, stainless steel, zinc, Delrin™, neoprene, polyurethane, Lexan™.

Electrical Classification

FM and CSA approved as Non-incendive for Class I, Groups A, B, C, & D, Div. 2 service

Station Weight

18 lb., 12 oz.

Delrin™ is a trademark of E. I. du Pont de Nemours & Co., Inc.  
 Lexan™ is a trademark of General Electric Co.

MOUNTING DIMENSIONS

