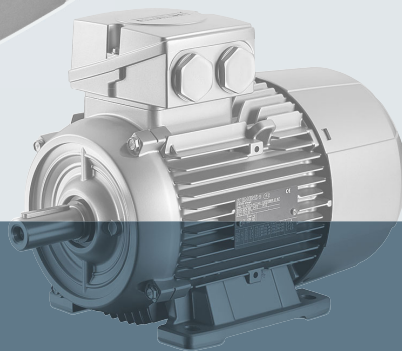
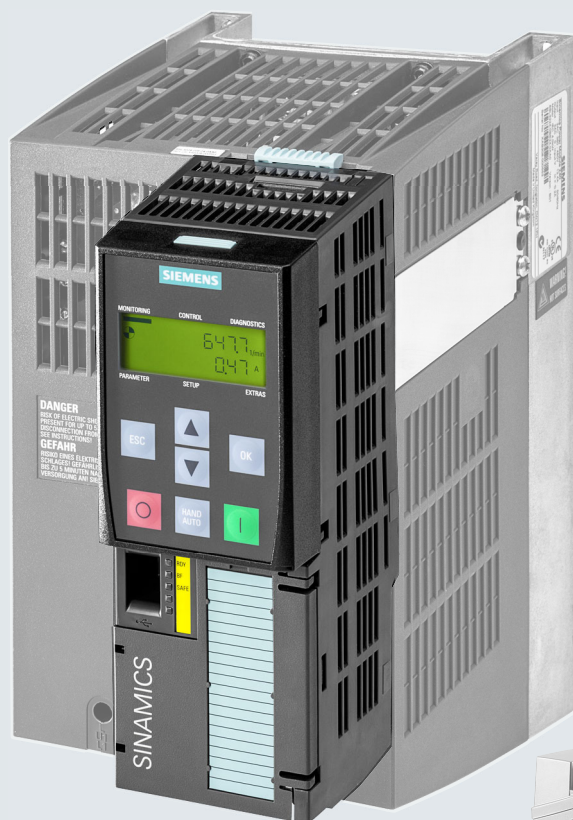


SIEMENS



SINAMICS

SINAMICS G120
Control Units CU250S-2

List Manual

Edition

04/2014

Answers for industry.

SIEMENS

SINAMICS

SINAMICS G120 Control Units CU250S-2

List Manual

Valid for

Control Units	Firmware version
CU250S-2 USS	4.7
CU250S-2 CAN	4.7
CU250S-2 DP	4.7
CU250S-2 PN	4.7

Fundamental safety
instructions

1

Parameters

2

Function diagrams

3

Faults and alarms

4

Appendix


A


Index


Legal information

Warning notice system

This Manual contains information which you must observe to ensure your own personal safety as well as to avoid material damage. The notices referring to your personal safety are highlighted in the manual by a safety alert symbol, notices referring only to equipment damage have no safety alert symbol. Depending on the hazard level, warnings are indicated in a descending order as follows:

 DANGER
indicates that death or serious injury will result if proper precautions are not taken.

 WARNING
indicates that death or serious injury could result if proper precautions are not taken.

 CAUTION
indicates that minor personal injury can result if proper precautions are not taken.

NOTICE
indicates that property damage can result if proper precautions are not taken.


If more than one level of danger is simultaneously applicable, the warning notice for the highest level is used. A notice warning of injury to persons with a safety alert symbol may also include a warning relating to property damage.

Qualified personnel

The product/system described in this documentation may only be operated by **personnel qualified** for the specific task in accordance with the relevant documentation for the specific task, in particular its warning notices and safety instructions. Qualified personnel are those who, based on their training and experience, are capable of identifying risks and avoiding potential hazards when working with these products/systems.

Proper use of Siemens products

Note the following:

 WARNING
Siemens products are only permitted to be used for the applications listed in the catalog and in the associated technical documentation. If third-party products and components are used, then they must be recommended or approved by Siemens. These products can only function correctly and safely if they are transported, stored, set up, mounted, installed, commissioned, operated and maintained correctly. The permissible ambient conditions must be adhered to. Notices in the relevant documentation must be observed.

Trademarks

All names identified with ® are registered trademarks of Siemens AG. Any other names used in this publication may be trademarks whose use by third parties for their own purposes could violate the rights of the owner.

Disclaimer of liability

We have checked the contents of this publication for consistency with the hardware and software described. Since variance cannot be precluded entirely, we cannot guarantee full consistency. The information given in this document is reviewed at regular intervals and any corrections that might be necessary are made in the subsequent editions.

Table of contents

1	Fundamental safety instructions	7
1.1	General safety instructions	8
1.2	Industrial security	9
2	Parameters	11
2.1	Overview of parameters	12
2.1.1	Explanation of the list of parameters	12
2.1.2	Number ranges of parameters	22
2.2	List of parameters	25
2.3	Command and drive data sets - overview	650
2.3.1	Command data sets (CDS)	650
2.3.2	Drive data sets (DDS)	652
2.3.3	Motor data sets (MDS)	658
2.3.4	Power unit Data Sets (PDS)	660
2.3.5	Encoder Data Sets (EDS)	660
2.4	BICO parameters (connectors/binectors)	662
2.4.1	Binector inputs (BI)	662
2.4.2	Connector inputs (CI)	665
2.4.3	Binector outputs (BO)	667
2.4.4	Connector outputs (CO)	669
2.4.5	Connector/binector outputs (CO/BO)	673
2.5	Parameters for write protection and know-how protection	676
2.5.1	Parameters with "WRITE_NO_LOCK"	676
2.5.2	Parameters with "KHP_WRITE_NO_LOCK"	676
2.5.3	Parameters with "KHP_ACTIVE_READ"	677
2.6	Quick commissioning (p0010 = 1)	678
3	Function diagrams	681
3.1	Table of contents	682
3.2	Explanations on the function diagrams	689
3.3	Input/output terminals	694
3.4	PROFenergy	705
3.5	PROFIdrive communication (PROFIBUS/PROFINET)	708
3.6	CANopen communication	736
3.7	Communication, fieldbus interface (USS, MODBUS)	743
3.8	Internal control/status words	750
3.9	Brake control	769
3.10	Safety Integrated Basic Functions	771
3.11	Safety Integrated Extended Functions	778


3.12	Safety Integrated PROFIsafe	790
3.13	Setpoint channel	793
3.14	Setpoint channel not activated	804
3.15	Basic positioner (EPOS)	806
3.16	Position control	822
3.17	Encoder evaluation	827
3.18	Vector control	834
3.19	Technology functions	860
3.20	Free function blocks	862
3.21	Technology controller	883
3.22	Signals and monitoring functions	888
3.23	Diagnostics	899
3.24	Data sets	905
4	Faults and alarms	909
4.1	Overview of faults and alarms	910
4.1.1	General information	910
4.1.2	Explanation of the list of faults and alarms	914
4.1.3	Number ranges of faults and alarms	920
4.2	List of faults and alarms	922
A	Appendix	1143
A.1	ASCII table (characters that can be displayed)	1144
A.2	List of abbreviations	1147
	Index	1157


Fundamental safety instructions

Content

1.1	General safety instructions	8
1.2	Industrial security	9

1.1 General safety instructions

 WARNING
Risk of death if the safety instructions and remaining risks are not carefully observed
If the safety instructions and residual risks are not observed in the associated hardware documentation, accidents involving severe injuries or death can occur.
<ul style="list-style-type: none">• Observe the safety instructions given in the hardware documentation.• Consider the residual risks for the risk evaluation.

 WARNING
Danger to life or malfunctions of the machine as a result of incorrect or changed parameterization
As a result of incorrect or changed parameterization, machines can malfunction, which in turn can lead to injuries or death.
<ul style="list-style-type: none">• Protect the parameterization (parameter assignments) against unauthorized access.• Respond to possible malfunctions by applying suitable measures (e.g. EMERGENCY-STOP or EMERGENCY-OFF).

1.2 Industrial security

Note

Industrial security

Siemens provides products and solutions with industrial security functions that support the secure operation of plants, solutions, machines, devices, and/or networks. They are important components of a holistic industrial security concept. With this in mind, Siemens' products and solutions undergo continuous development. Siemens recommends strongly that you regularly check for product updates.

To ensure that Siemens products and solutions are operated securely, suitable preventive measures (e.g. cell protection concept) and each component must be integrated into a state-of-the-art holistic industrial security concept. Third-party products that may be in use should also be considered. You will find more information about industrial security at:

<http://www.siemens.com/industrialsecurity>

To receive information about product updates on a regular basis, register for our product newsletter. You will find more information at:

<http://support.automation.siemens.com>



WARNING

Danger as a result of unsafe operating states resulting from software manipulation

Software manipulation (e.g. by viruses, Trojan horses, malware, worms) can cause unsafe operating states to develop in your installation which can result in death, severe injuries and/or material damage.

- Keep the software up to date.

Information and newsletters can be found at:

<http://support.automation.siemens.com>

- Incorporate the automation and drive components into a holistic, state-of-the-art industrial security concept for the installation or machine.

For more information, visit:

<http://www.siemens.com/industrialsecurity>

- Make sure that you include all installed products into the holistic industrial security concept.

Parameters

2

Content

2.1	Overview of parameters	12
2.2	List of parameters	25
2.3	Command and drive data sets - overview	650
2.4	BICO parameters (connectors/binectors)	662
2.5	Parameters for write protection and know-how protection	676
2.6	Quick commissioning (p0010 = 1)	678

2.1 Overview of parameters




2.1.1 Explanation of the list of parameters

Basic structure of the parameter descriptions

The data in the following example have been chosen at random. The description of a parameter includes as a maximum the information listed below. Some of the information is optional.

The "List of parameters" (Page 25) has the following structure:

----- **Start of example** -----

pxxxx[0...n]	BICO: Full parameter name / abbreviated name			
CU/PM variants	Access level: 3	Calculated: p0340 = 1	Data type: FloatingPoint32	
	Can be changed: C(x), U, T	Scaling: p2002	Dyn. index: CDS, p0170	
	Unit group: 6_2	Unit selection: p0505	Func. diagram: 8070	
	Min	Max	Factory setting	
	0.00 [Nm]	10.00 [Nm]	0.00 [Nm]	
Description:	Text			
Value:	0: Name and meaning of value 0 1: Name and meaning of value 1 2: Name and meaning of value 2 etc.			
Recommendation:	Text			
Index:	[0] = Name and meaning of index 0 [1] = Name and meaning of index 1 [2] = Name and meaning of index 2 etc.			
Bit field:	Bit	Signal name	1 signal	0 signal
	00	Name and meaning of bit 0	Yes	no
	01	Name and meaning of bit 1	Yes	no
	02	Name and meaning of bit 2 etc.	Yes	no
				FP
				8060
				-
				8052
Dependency:	Text Refer to: pxxxx, rxxxx Refer to: Fxxxxx, Axxxxx			
Danger:	Warning:	Caution:	Safety notices with a warning triangle	
				
Notice:	Safety notice without a warning triangle			
Note:	Information that might be useful.			

----- **End of example** -----

The individual pieces of information are described in detail below.

pxxxx[0...n] Parameter number

The parameter number is made up of a "p" or "r", followed by the parameter number and the index or bit field (optional).

Examples of representation in the parameter list:

- p... Adjustable parameters (read and write parameters)
- r... Display parameters (read only)
- p0918 Adjustable parameter 918
- p2051[0...13] Adjustable parameter 2051, indices 0 to 13
- p1001[0...n] Adjustable parameter 1001, indices 0 to n (n = configurable)
- r0944 Display parameter 944
- r2129.0...15 Display parameter 2129 with bit field from bit 0 (smallest bit) to bit 15 (largest bit)

Other examples of the notation in the documentation:

- p1070[1] Adjustable parameter 1070, index 1
- p2098[1].3 Adjustable parameter 2098, index 1 bit 3
- p0795.4 Adjustable parameter 795, bit 4

The following applies to adjustable parameters:

The parameter value "when shipped" is specified under "Factory setting" with the relevant unit in square parentheses. The value can be adjusted within the range defined by "Min" and "Max".

The term "linked parameterization" is used in cases where changes to adjustable parameters affect the settings of other parameters.

Linked parameterization can occur, for example, as a result of the following actions and parameters:

- Setting the PROFIBUS telegram (BICO interconnection)
p0922
- Setting component lists
p0230, p0300, p0301, p0400
- Automatically calculating and pre-assigning
p0340, p3900
- Restoring the factory settings
p0970

The following applies to display parameters:

The fields "Min", "Max" and "Factory setting" are specified with a dash "-" and the relevant unit in square parentheses.

Note

The parameter list can contain parameters that are not visible in the expert lists of the particular commissioning software (e. g. parameters for trace functions).

BICO: Full parameter name / abbreviated name

The following abbreviations can appear in front of the BICO parameter name:

- BI: Binector Input
This parameter is used for selecting the source of a digital signal.
- BO: Binector output
This parameter is available as a digital signal for interconnection with other parameters.
- CI: Connector Input
This parameter is used for selecting the source of an "analog" signal.
- CO: Connector output
This parameter is available as an "analog" signal for interconnection with other parameters.
- CO/BO: Connector/Binector Output
This parameter is available as an "analog" and digital signal for interconnection with other parameters.

Note

A BICO input (BI/CI) cannot be interconnected with just any BICO output (BO/CO, signal source).

When interconnecting a BICO input using the commissioning software, only the corresponding possible signal sources are listed.

Function diagrams 1020 ... 1030 explain the symbols for BICO parameters and how to deal with BICO technology.

CU variants

Specifies the Control Unit (CU) for which the parameter is valid. If no CU is listed, then the parameter is valid for all variants.

The following information about "CU" can be displayed under the parameter number:

Table 2-1 Information in the "CU variants" field

CU variants	Meaning
	All Control Units have this parameter.
CU250S_V	CU250S-2, vector control mode and USS fieldbus interface
CU250S_V_CAN	CU250S-2 with vector control mode and CAN interface and
CU250S_V_DP	CU250S-2 with vector control mode and PROFIBUS interface
CU250S_V_PN	CU250S-2 with vector control mode and PROFINET interface

Access level

Specifies the minimum access level required to be able to display and change the relevant parameter. The required access level can be set using p0003.

The system uses the following access levels:

- 1: Standard (not adjustable, included in p0003 = 3)
- 2: Extended (not adjustable, included in p0003 = 3)
- 3: Expert
- 4: Service

Parameters with this access level are password protected.

Note

Parameter p0003 is CU-specific (belongs to the Control Unit).

A higher access level will also include the functions of the lower levels.

Calculated

Specifies whether the parameter is influenced by automatic calculations.

p0340 determines which calculations are to be performed:

- p0340 = 1 includes the calculations from p0340 = 2, 3, 4, 5.
- p0340 = 2 calculates the motor parameters (p0350 ... p0360, p0625).
- p0340 = 3 includes the calculations from p0340 = 4, 5.
- p0340 = 4 only calculates the controller parameters.
- p0340 = 5 only calculates the controller limits.

Note

For p3900 > 0, p0340 = 1 is also called automatically.

After p1900 = 1, 2, p0340 = 3 is also called automatically.

Parameters with a reference to p0340 after "Calculated" depend on the Power Module being used and the motor. In this case, the values at "Factory setting" do not correspond to the actual values because these values are calculated during the commissioning. This also applies to the motor parameters.

Data type

The information on the data type can consist of the following two items (separated by a slash):

- First item
Data type of the parameter.
- Second item (for binector or connector input only)
Data type of the signal source to be interconnected (binector-/connector output).

Parameters can have the following data types:

- Integer8 I8 8-bit integer number
- Integer16 I16 16-bit integer number
- Integer32 I32 32-bit integer number
- Unsigned8 U8 8 bits without sign
- Unsigned16 U16 16 bits without sign
- Unsigned32 U32 32 bits without sign
- FloatingPoint32 Float 32-bit floating point number

Depending on the data type of the BICO input parameter (signal sink) and BICO output parameter (signal source), the following combinations are possible when creating BICO interconnections:

Table 2-2 Possible combinations of BICO interconnections

BICO output parameter	BICO input parameter			
	CI parameter			BI parameter
	Unsigned32 / Integer16	Unsigned32 / Integer32	Unsigned32 / FloatingPoint32	Unsigned32 / Binary
CO: Unsigned8	x	x	–	–
CO: Unsigned16	x	x	–	–
CO: Unsigned32	x	x	–	–
CO: Integer16	x	x	r2050	–
CO: Integer32	x	x	r2060	–
CO: FloatingPoint32	x	x	x	–
BO: Unsigned8	–	–	–	x
BO: Unsigned16	–	–	–	x
BO: Unsigned32	–	–	–	x
BO: Integer16	–	–	–	x
BO: Integer32	–	–	–	x
BO: FloatingPoint32	–	–	–	–
Legend: x : BICO interconnection permitted –: BICO interconnection not permitted rxxxx: BICO interconnection is only permitted for the specified CO parameters				

Can be changed

The "-" sign indicates that the parameter can be changed in any object state and that the change will be effective immediately.

The information "C(x), T, U" ((x): optional) means that the parameter can be changed only in the specified drive unit state and that the change will not take effect until the unit switches to another state. This can be a single state or multiple states.

The following states are available:

- C(x) commissioning C: Commissioning
 Drive commissioning is in progress (p0010 > 0).
 Pulses cannot be enabled.
 The parameter can only be changed in the following drive commissioning settings (p0010 > 0):
 - C: Can be changed for all settings p0010 > 0.
 - C(x): Can only be changed for the settings p0010 = x.
 A modified parameter value does not take effect until drive commissioning mode is exited with p0010 = 0.
- U Operation U: Run
 Pulses are enabled.
- T Ready T: Ready to run
 The pulses are not enabled and the status "C(x)" is not active.

Scaling

Specification of the reference variable with which a signal value is automatically converted for a BICO interconnection.

The following reference variables are available:

- p2000 ... p2006: Reference speed, reference voltage, etc.
- PERCENT: 1.0 = 100 %
- 4000H: 4000 hex = 100 %

Dyn. Index (Dynamic Index)

For parameters with a dynamic index [0...n], the following information is specified here:

- Data set (if available).
- Parameter for the number of indices (n = number - 1).

The following information can be contained in this field:

- "CDS, p0170" (Command Data Set, CDS count)

Example:

p1070[0] → main setpoint [command data set 0]

p1070[1] → main setpoint [command data set 1], etc.

- "DDS, p0180" (Drive Data Set, DDS count)
- "EDS, p0140" (Encoder Data Set, EDS count)
- "MDS, p0130" (Motor Data Set, MDS count)
- "PDS, p0120" (Power unit Data Set, PDS count)

Data sets can only be created and deleted when p0010 = 15.

Note

Information on the data sets can be taken from the following references:

- Operating Instructions SINAMICS G120 Frequency Inverter with CU250S-2 Control Units.

Unit group and unit selection

The standard unit of a parameter is specified in square brackets after the values for "Min", "Max", and "Factory setting".

For parameters where the unit can be switched over, the specifications for "Unit group" and "Unit selection" determine the group to which this parameter belongs and with which parameter the unit can be changed over.

Example:

Unit group: 7_1, unit selection: p0505

The parameter belongs to unit group 7_1 and the unit can be changed over using p0505.

All the potential unit groups and possible unit selections are listed below.

Table 2-3 Unit group (p0100)

Unit group	Unit selection for p0100 =			Reference variable for %
	0	1	2	
7_4	Nm	lbf ft	Nm	-
14_6	kW	hp	kW	-
25_1	kg m ²	lb ft ²	kg m ²	-
27_1	kg	lb	kg	-
28_1	Nm/A	lbf ft/A	Nm/A	-

Table 2-4 Unit group (p0505)

Unit group	Unit selection for p0505 =				Reference variable for %
	1	2	3	4	
2_1	Hz	%	Hz	%	p2000
3_1	1 rpm	%	1 rpm	%	p2000
5_1	Vrms	%	Vrms	%	p2001
5_2	V	%	V	%	p2001
5_3	V	%	V	%	p2001
6_2	Arms	%	Arms	%	p2002
6_5	A	%	A	%	p2002
7_1	Nm	%	lbf ft	%	p2003
7_2	Nm	Nm	lbf ft	lbf ft	-
14_5	kW	%	hp	%	r2004
14_10	kW	kW	hp	hp	-
21_1	°C	°C	°F	°F	-
21_2	K	K	°F	°F	-
39_1	1/s ²	%	1/s ²	%	p2007

Table 2-5 Unit group (p0595)

Unit group	Unit selection for p0595 =		Reference variable for %
	Value	Unit	
9_1	The values that can be set and the technological units are shown in p0595.		

Function diagram

The parameter is included in this function diagram. The structure of the parameter function and its relationship with other parameters is shown in the specified function diagram.

Parameter values

Min	Minimum value of the parameter [unit]
Max	Maximum value of the parameter [unit]
Factory setting	Value when delivered [unit] In the case of a binector/connector input, the signal source of the default BICO interconnection is specified. A non-indexed connector output is assigned the index [0]. A different value may be displayed for certain parameters (e.g. p1800) at the initial commissioning stage or when establishing the factory settings. Reason: The setting of these parameters is determined by the operating environment of the Control Unit (e.g. depending on inverter type, power unit).

Description

Explanation of the function of a parameter

Values

Lists the possible values of a parameter.

Recommendation

Information about recommended settings.

Index

The name and meaning of each individual index is specified for indexed parameters.

The following applies to the values (Min, Max, Factory setting) of indexed adjustable parameters:

- Min, Max:
The adjustment range and unit apply to all indices.
- Factory setting:
When all indices have the same factory setting, index 0 is specified with the unit to represent all indices.
When the indices have different factory settings, they are all listed individually with the unit.

Bit field

For parameters with bit fields, the following information is provided about each bit:

- Bit number and signal name
- Meaning for signal states 1 and 0
- Function diagram (FP) (optional).

The signal is shown in this function diagram.

Dependency

Conditions that must be fulfilled in conjunction with this parameter. Also includes special effects that can occur between this parameter and others.

Where necessary, "Refer to:" indicates the following information:

- List of other relevant parameters to be considered.
- List of faults and alarms to be considered.

Safety instructions

Important information that must be observed to avoid the risk of physical injury or material damage.

Information that must be observed to avoid any problems.

Information that the user may find useful.

Danger



The description of this safety notice can be found at the beginning of this manual, see "Legal information" (Page 4).

Warning



The description of this safety notice can be found at the beginning of this manual, see "Legal information" (Page 4).

Caution



The description of this safety notice can be found at the beginning of this manual, see "Legal information" (Page 4).

Notice

The description of this safety notice can be found at the beginning of this manual, see "Legal information" (Page 4).

Note

Information that the user may find useful.

2.1.2 Number ranges of parameters

Note

The following number ranges represent an overview for all of the parameters available for the SINAMICS drive family.

The parameters for the product described in this List Manual are described in detail in "List of parameters" (Page 25).

Parameters are grouped into the following number ranges:

Table 2-6 Number ranges for SINAMICS

Range		Description
From	To	
0000	0099	Display and operation
0100	0199	Commissioning
0200	0299	Power section
0300	0399	Motor
0400	0499	Encoder
0500	0599	Technology and units, motor-specific data, probes
0600	0699	Thermal monitoring, maximum current, operating hours, motor data, central probe
0700	0799	Control Unit terminals, measuring sockets
0800	0839	CDS, DDS data sets, motor changeover
0840	0879	Sequence control (e.g. signal source for ON/OFF1)
0880	0899	ESR, parking, control and status words
0900	0999	PROFIBUS/PROFIdrive
1000	1199	Setpoint channel (e.g. ramp-function generator)
1200	1299	Functions (e.g. motor holding brake)
1300	1399	U/f control
1400	1799	Closed-loop control
1800	1899	Gating unit
1900	1999	Power unit and motor identification
2000	2009	Reference values
2010	2099	Communication (fieldbus)
2100	2139	Faults and alarms
2140	2199	Signals and monitoring
2200	2359	Technology controller
2360	2399	Staging, hibernation
2500	2699	Position control (LR) and basic positioning (EPOS)
2700	2719	Reference values, display

Table 2-6 Number ranges for SINAMICS, continued

Range		Description
From	To	
2720	2729	Load gearbox
2800	2819	Logic operations
2900	2930	Fixed values (e. g. percentage, torque)
3000	3099	Motor identification results
3100	3109	Real-time clock (RTC)
3110	3199	Faults and alarms
3200	3299	Signals and monitoring
3400	3659	Infeed closed-loop control
3660	3699	Voltage Sensing Module (VSM), Braking Module internal
3700	3779	Advanced Positioning Control (APC)
3780	3819	Synchronization
3820	3849	Friction characteristic
3850	3899	Functions (e. g. long stator)
3900	3999	Management
4000	4599	Terminal Board, Terminal Module (e. g. TB30, TM31)
4600	4699	Sensor Module
4700	4799	Trace
4800	4849	Function generator
4950	4999	OA application
5000	5169	Spindle diagnostics
5200	5230	Current setpoint filter 5 ... 10 (r0108.21)
5400	5499	System droop control (e. g. shaft generator)
5500	5599	Dynamic grid support (solar)
5600	5614	PROFenergy
5900	6999	SINAMICS GM/SM/GL/SL
7000	7499	Parallel connection of power units
7500	7599	SINAMICS SM120
7700	7729	External messages
7770	7789	NVRAM, system parameters
7800	7839	EEPROM read/write parameters
7840	8399	Internal system parameters
8400	8449	Real-time clock (RTC)
8500	8599	Data and macro management
8600	8799	CAN bus
8800	8899	Communication Board Ethernet (CBE), PROFIdrive

Table 2-6 Number ranges for SINAMICS, continued

Range		Description
From	To	
8900	8999	Industrial Ethernet, PROFINET, CBE20
9000	9299	topology
9300	9399	Safety Integrated
9400	9499	Parameter consistency and storage
9500	9899	Safety Integrated
9900	9949	topology
9950	9999	Diagnostics, internal
10000	10199	Safety Integrated
11000	11299	Free technology controller 0, 1, 2
20000	20999	Free function blocks (FBLOCKS)
21000	25999	Drive Control Chart (DCC)
50000	53999	SINAMICS DC MASTER (closed-loop DC current control)
61000	61001	PROFINET

2.2 List of parameters

Product: SINAMICS G120S, Version: 4702900, Language: eng
 Objects: CU250S_V, CU250S_V_CAN, CU250S_V_DP, CU250S_V_PN

r0002	Drive operating display / Drv op_display		
	Access level: 1	Calculated: -	Data type: Integer16
	Can be changed: -	Scaling: -	Dyn. index: -
	Units group: -	Unit selection: -	Func. diagram: -
	Min	Max	Factory setting
	0	250	-

Description:	Operating display for the drive.
Value:	0: Operation - everything enabled 10: Operation - set "enable setpoint" = "1" (p1142, p1152) 11: Operation - set "enable speed controller" = "1" (p0856) 12: Operation - RFG frozen, set "RFG start" = "1" (p1141) 13: Operation - set "enable RFG" = "1" (p1140) 14: Oper. - MotID, excit. running and/or brake opens, SS2, STOP C 15: Operation - open brake (p1215) 16: Operation - withdraw braking with OFF1 using "ON/OFF1" = "1" 17: Operation - braking with OFF3 can only be interrupted with OFF2 18: Operation - brake on fault, remove fault, acknowledge 19: Operation - armature short-circ./DC brake act. (p1230, p1231) 21: Ready for operation - set "Operation enable" = "1" (p0852) 22: Ready for operation - de-magnetizing running (p0347) 23: Ready for operation - set "Infeed operation" = "1" (p0864) 31: Ready for switching on - set "ON/OFF1" = "0/1" (p0840) 35: Switching on inhibited - carry out first commissioning (p0010) 41: Switching on inhibited - set "ON/OFF1" = "0" (p0840) 42: Switching on inhibited - set "OC/OFF2" = "1" (p0844, p0845) 43: Switching on inhibited - set "OC/OFF3" = "1" (p0848, p0849) 44: Switching on inhibited - connect 24 V to terminal EP (hardware) 45: Switching on inhibited - rectify fault, acknowledge fault, STO 46: Switching on inhibited - exit comm mode (p0009, p0010) 60: Drive object de-activated/not operational 70: Initialization 200: Wait for booting/partial booting 250: Device signals a topology error

Dependency:	Refer to: r0046
Notice:	For several missing enable signals, the corresponding value with the highest number is displayed.
Note:	OC: Operating condition EP: Enable Pulses (pulse enable) RFG: Ramp-function generator COMM: Commissioning MotID: Motor data identification SS2: Safe Stop 2 STO: Safe Torque Off

p0003	Access level / Acc_level		
	Access level: 1	Calculated: -	Data type: Integer16
	Can be changed: C, U, T	Scaling: -	Dyn. index: -
	Units group: -	Unit selection: -	Func. diagram: -
	Min	Max	Factory setting
	3	4	3

Description:	Sets the access level to read and write parameters.
Value:	3: Expert 4: Service

2 Parameters

2.2 List of parameters

Note: A higher set access level also includes the lower one.
Access level 3 (experts):
Expert know-how is required for these parameters (e.g. BICO parameterization).
Access level 4 (service):
For these parameters, it is necessary that authorized service personnel enter the appropriate password (p3950).

p0010	Drive commissioning parameter filter / Drv comm. par_filt		
Access level: 1	Calculated: -	Data type: Integer16	
Can be changed: C(1), T	Scaling: -	Dyn. index: -	
Units group: -	Unit selection: -	Func. diagram: 2800, 2818	
Min	Max	Factory setting	
0	95	1	

Description: Sets the parameter filter to commission a drive.
Setting this parameter filters out the parameters that can be written into in the various commissioning steps.

Value:

- 0: Ready
- 1: Quick commissioning
- 2: Power unit commissioning
- 3: Motor commissioning
- 4: Encoder commissioning
- 5: Technological application/units
- 11: Function modules
- 15: Data sets
- 17: Basic positioner commissioning
- 25: Position control commissioning
- 29: Only Siemens int
- 30: Parameter reset
- 39: Only Siemens int
- 49: Only Siemens int
- 95: Safety Integrated commissioning

Dependency: Refer to: r3996

Note: The drive can only be powered up outside the drive commissioning (inverter enable). To realize this, this parameter must be set to 0.
By setting p3900 to a value other than 0, the quick commissioning is completed, and this parameter is automatically reset to 0.
Procedure for "Reset parameter": Set p0010 to 30 and p0970 to 1.

p0014	Buffer memory mode / Buf mem mode		
Access level: 3	Calculated: -	Data type: Integer16	
Can be changed: U, T	Scaling: -	Dyn. index: -	
Units group: -	Unit selection: -	Func. diagram: -	
Min	Max	Factory setting	
0	2	0	

Description: Sets the mode for the buffer memory.

Value:

- 0: Save in a non-volatile fashion (RAM)
- 1: Buffer memory active (non-volatile)
- 2: Clear buffer memory

Dependency: If p0014 = 1, changes in the same parameter, as well as in following parameters will not be copied to the buffer memory:

Refer to: p0040, p0340, p0650, p0802, p0803, p0804, p0952, p0969, p0970, p0971, p0972, p1900, p1910, p1960, p2111, p3900, p3981, p8608, p8611

Notice: For p0014 = 2, entries in the buffer memory are lost and cannot be retrieved.

After the value has been modified, no further parameter modifications can be made and the status is shown in r3996. Modifications can be made again when r3996 = 0.

Note: The parameter is not influenced by setting the factory setting.

Re p0014 = 0:

Parameter changes are saved in the volatile memory (RAM).

Non-volatile storage from RAM to ROM is carried out in the following cases:

- p0971 = 1
- change from p0014 = 0 to 1

Re p0014 = 1:

With this setting, alarm A01066 followed by alarm A01067 can occur if parameters are continually changed via a fieldbus system.

Parameter changes are entered in the volatile memory (RAM) and also in the non-volatile buffer memory.

In the following cases, the entries in the buffer memory are transferred into the ROM and then the buffer memory is cleared:

- p0971 = 1
- power down/power up the Control Unit
- change from p0014 = 1 to 0

Re p0014 = 2:

The procedure to clear the entries in the buffer memory is initiated.

p0014 is automatically set to 0 after the entries have been cleared.

p0015		Macro drive unit / Macro drv unit		
CU250S_V_DP	Access level: 1	Calculated: -	Data type: Unsigned32	
CU250S_V_PN	Can be changed: C, C(1)	Scaling: -	Dyn. index: -	
	Units group: -	Unit selection: -	Func. diagram: -	
	Min	Max	Factory setting	
	0	999999	7	
Description:	Runs the corresponding macro files.			
Notice:	After the value has been modified, no further parameter modifications can be made and the status is shown in r3996. Modifications can be made again when r3996 = 0.			
	When executing a specific macro, the corresponding programmed settings are made and become active.			
Note:	Macros available as standard are described in the technical documentation of the particular product.			
p0015		Macro drive unit / Macro drv unit		
CU250S_V	Access level: 1	Calculated: -	Data type: Unsigned32	
CU250S_V_CAN	Can be changed: C, C(1)	Scaling: -	Dyn. index: -	
	Units group: -	Unit selection: -	Func. diagram: -	
	Min	Max	Factory setting	
	0	999999	12	
Description:	Runs the corresponding macro files.			
Notice:	After the value has been modified, no further parameter modifications can be made and the status is shown in r3996. Modifications can be made again when r3996 = 0.			
	When executing a specific macro, the corresponding programmed settings are made and become active.			
Note:	Macros available as standard are described in the technical documentation of the particular product.			
r0018		Control Unit firmware version / CU FW version		
	Access level: 3	Calculated: -	Data type: Unsigned32	
	Can be changed: -	Scaling: -	Dyn. index: -	
	Units group: -	Unit selection: -	Func. diagram: -	
	Min	Max	Factory setting	
	0	4294967295	-	
Description:	Displays the firmware version of the Control Unit.			
Dependency:	Refer to: r0148, r0197, r0198			
Note:	Example: The value 1010100 should be interpreted as V01.01.01.00.			

r0020	Speed setpoint smoothed / n_set smth		
	Access level: 2	Calculated: -	Data type: FloatingPoint32
	Can be changed: -	Scaling: p2000	Dyn. index: -
	Units group: 3_1	Unit selection: p0505	Func. diagram: 5020, 6799
	Min	Max	Factory setting
	- [rpm]	- [rpm]	- [rpm]
Description:	Displays the currently smoothed speed setpoint at the input of the speed controller or U/f characteristic (after the interpolator).		
Dependency:	Refer to: r0060		
Note:	Smoothing time constant = 100 ms The signal is not suitable as a process quantity and may only be used as a display quantity. The speed setpoint is available smoothed (r0020) and unsmoothed (r0060).		
r0021	CO: Actual speed smoothed / n_act smooth		
	Access level: 2	Calculated: -	Data type: FloatingPoint32
	Can be changed: -	Scaling: p2000	Dyn. index: -
	Units group: 3_1	Unit selection: p0505	Func. diagram: 6799
	Min	Max	Factory setting
	- [rpm]	- [rpm]	- [rpm]
Description:	Displays the smoothed actual value of the motor speed. For U/f control and when slip compensation is deactivated (see p1335), the synchronous speed to the output frequency is shown in r0021.		
Dependency:	Refer to: r0022, r0063		
Note:	Smoothing time constant = 100 ms The signal is not suitable as a process quantity and may only be used as a display quantity. The speed actual value is available smoothed (r0021, r0022) and unsmoothed (r0063). For U/f control, the mechanical speed calculated from the output frequency and the slip is shown in r0063[2] even if slip compensation is deactivated.		
r0022	Speed actual value rpm smoothed / n_act rpm smooth		
	Access level: 3	Calculated: -	Data type: FloatingPoint32
	Can be changed: -	Scaling: p2000	Dyn. index: -
	Units group: -	Unit selection: -	Func. diagram: 6799
	Min	Max	Factory setting
	- [rpm]	- [rpm]	- [rpm]
Description:	Displays the smoothed actual value of the motor speed. r0022 is identical to r0021, however, it always has units of rpm and contrary to r0021 cannot be changed over. For U/f control and when slip compensation is deactivated (see p1335), the synchronous speed to the output frequency is shown in r0022.		
Dependency:	Refer to: r0021, r0063		
Note:	Smoothing time constant = 100 ms The signal is not suitable as a process quantity and may only be used as a display quantity. The speed actual value is available smoothed (r0021, r0022) and unsmoothed (r0063). For U/f control, the mechanical speed calculated from the output frequency and the slip is shown in r0063[2] even if slip compensation is deactivated.		

r0024	Output frequency smoothed / f_outp smooth		
	Access level: 3	Calculated: -	Data type: FloatingPoint32
	Can be changed: -	Scaling: p2000	Dyn. index: -
	Units group: -	Unit selection: -	Func. diagram: 5300, 5730, 6300, 6799
	Min	Max	Factory setting
	- [Hz]	- [Hz]	- [Hz]
Description:	Displays the smoothed converter frequency.		
Dependency:	Refer to: r0066		
Note:	Smoothing time constant = 100 ms The signal is not suitable as a process quantity and may only be used as a display quantity. The output frequency is available smoothed (r0024) and unsmoothed (r0066).		
r0025	CO: Output voltage smoothed / U_outp smooth		
	Access level: 2	Calculated: -	Data type: FloatingPoint32
	Can be changed: -	Scaling: p2001	Dyn. index: -
	Units group: -	Unit selection: -	Func. diagram: 5730, 6300, 6799
	Min	Max	Factory setting
	- [Vrms]	- [Vrms]	- [Vrms]
Description:	Displays the smoothed output voltage of the power unit.		
Dependency:	Refer to: r0072		
Note:	Smoothing time constant = 100 ms The signal is not suitable as a process quantity and may only be used as a display quantity. The output voltage is available smoothed (r0025) and unsmoothed (r0072).		
r0026	CO: DC link voltage smoothed / Vdc smooth		
	Access level: 2	Calculated: -	Data type: FloatingPoint32
	Can be changed: -	Scaling: p2001	Dyn. index: -
	Units group: -	Unit selection: -	Func. diagram: 6799
	Min	Max	Factory setting
	- [V]	- [V]	- [V]
Description:	Displays the smoothed actual value of the DC link voltage.		
Dependency:	Refer to: r0070		
Notice:	When measuring a DC link voltage < 200 V, for the Power Module a valid measured value is not supplied. In this case, when an external 24 V power supply is connected, a value of approx. 24 V is displayed in the display parameter.		
Note:	Smoothing time constant = 100 ms The signal is not suitable as a process quantity and may only be used as a display quantity. The DC link voltage is available smoothed (r0026) and unsmoothed (r0070). r0026 sets itself to the lower value of the pulsating DC link voltage.		
r0027	CO: Absolute actual current smoothed / I_act abs val smth		
	Access level: 2	Calculated: -	Data type: FloatingPoint32
	Can be changed: -	Scaling: p2002	Dyn. index: -
	Units group: -	Unit selection: -	Func. diagram: 5730, 6799, 8850, 8950
	Min	Max	Factory setting
	- [Arms]	- [Arms]	- [Arms]
Description:	Displays the smoothed absolute actual current value.		
Dependency:	Refer to: r0068		
Notice:	This smoothed signal is not suitable for diagnostics or evaluation of dynamic operations. In this case, the unsmoothed value should be used.		

2 Parameters

2.2 List of parameters

Note: Smoothing time constant = 300 ms
The signal is not suitable as a process quantity and may only be used as a display quantity.
The absolute current actual value is available smoothed (r0027) and unsmoothed (r0068).

r0028 **Modulation depth smoothed / Mod_depth smth**

Access level: 4	Calculated: -	Data type: FloatingPoint32
Can be changed: -	Scaling: p2002	Dyn. index: -
Units group: -	Unit selection: -	Func. diagram: 5730, 6799, 8950
Min	Max	Factory setting
- [%]	- [%]	- [%]

Description: Displays the smoothed actual value of the modulation depth.
Dependency: Refer to: r0074
Note: Smoothing time constant = 100 ms
The signal is not suitable as a process quantity and may only be used as a display quantity.
The modulation depth is available smoothed (r0028) and unsmoothed (r0074).

r0029 **Current actual value field-generating smoothed / Id_act smooth**

Access level: 4	Calculated: -	Data type: FloatingPoint32
Can be changed: -	Scaling: p2002	Dyn. index: -
Units group: -	Unit selection: -	Func. diagram: 6799
Min	Max	Factory setting
- [Arms]	- [Arms]	- [Arms]

Description: Displays the smoothed field-generating actual current.
Dependency: Refer to: r0076
Note: Smoothing time constant = 300 ms
The signal is not suitable as a process quantity and may only be used as a display quantity.
The field-generating current actual value is available smoothed (r0029) and unsmoothed (r0076).

r0030 **Current actual value torque-generating smoothed / Iq_act smooth**

Access level: 4	Calculated: -	Data type: FloatingPoint32
Can be changed: -	Scaling: p2002	Dyn. index: -
Units group: -	Unit selection: -	Func. diagram: 6799
Min	Max	Factory setting
- [Arms]	- [Arms]	- [Arms]

Description: Displays the smoothed torque-generating actual current.
Dependency: Refer to: r0078
Note: Smoothing time constant = 300 ms
The signal is not suitable as a process quantity and may only be used as a display quantity.
The torque-generating current actual value is available smoothed (r0030) and unsmoothed (r0078).

r0031 **Actual torque smoothed / M_act smooth**

Access level: 2	Calculated: -	Data type: FloatingPoint32
Can be changed: -	Scaling: p2003	Dyn. index: -
Units group: 7_1	Unit selection: p0505	Func. diagram: 5730, 6799
Min	Max	Factory setting
- [Nm]	- [Nm]	- [Nm]

Description: Displays the smoothed torque actual value.
Dependency: Refer to: r0080
Note: Smoothing time constant = 100 ms
The signal is not suitable as a process quantity and may only be used as a display quantity.
The torque actual value is available smoothed (r0031) and unsmoothed (r0080).

r0032	CO: Active power actual value smoothed / P_actv_act smth		
	Access level: 2	Calculated: -	Data type: FloatingPoint32
	Can be changed: -	Scaling: r2004	Dyn. index: -
	Units group: 14_10	Unit selection: p0505	Func. diagram: 5730, 6799, 8750, 8850, 8950
	Min	Max	Factory setting
	- [kW]	- [kW]	- [kW]
Description:	Displays the smoothed actual value of the active power.		
Dependency:	Refer to: r0082		
Notice:	This smoothed signal is not suitable for diagnostics or evaluation of dynamic operations. In this case, the unsmoothed value should be used.		
Note:	Power delivered at the motor shaft. The active power is available smoothed (r0032 with 100 ms) and unsmoothed (r0082).		
r0033	Torque utilization smoothed / M_util smooth		
	Access level: 4	Calculated: -	Data type: FloatingPoint32
	Can be changed: -	Scaling: PERCENT	Dyn. index: -
	Units group: -	Unit selection: -	Func. diagram: 8012
	Min	Max	Factory setting
	- [%]	- [%]	- [%]
Description:	Displays the smoothed torque utilization as a percentage. The torque utilization is obtained from the required smoothed torque in reference to the torque limit, scaled using p2196.		
Dependency:	This parameter is only available for vector control. For U/f control r0033 = 0 %.		
Note:	Smoothing time constant = 100 ms The signal is not suitable as a process quantity and may only be used as a display quantity. The torque utilization is available smoothed (r0033) and unsmoothed (r0081). For M_set total (r0079) > 0, the following applies: - Required torque = M_set total - Actual torque limit = M_max upper effective (r1538) For M_set total (r0079) <= 0, the following applies: - Required torque = - M_set total - Actual torque limit = - M_max lower effective (r1539) For the actual torque limit = 0, the following applies: r0033 = 100 % For the actual torque limit < 0, the following applies: r0033 = 0 %		
r0034	CO: Motor utilization thermal / Mot_util therm		
	Access level: 2	Calculated: -	Data type: FloatingPoint32
	Can be changed: -	Scaling: PERCENT	Dyn. index: -
	Units group: -	Unit selection: -	Func. diagram: 8017
	Min	Max	Factory setting
	- [%]	- [%]	- [%]
Description:	Displays the motor utilization from motor temperature model 1 (I2t).		
Dependency:	The thermal motor utilization is only determined for permanent-magnet synchronous motors when the motor temperature model 1 (I2t) is activated. For motor temperature model 1 (I2t) (p0612.0 = 1), the following applies: - r0034 = (motor model temperature - 40 K) / (p0605 - 40 K) * 100 % Refer to: p0611, p0612, p0615		
Notice:	After the drive is switched on, the system starts to determine the motor temperature with an assumed model value. This means that the value for the motor utilization is only valid after a stabilization time.		
Note:	Smoothing time constant = 100 ms The signal is not suitable as a process quantity and may only be used as a display quantity. For r0034 = -200.0 %, the following applies: The value is invalid (e.g. the motor temperature model is not activated or has been incorrectly parameterized).		

r0035	CO: Motor temperature / Mot temp		
	Access level: 2	Calculated: -	Data type: FloatingPoint32
	Can be changed: -	Scaling: p2006	Dyn. index: -
	Units group: 21_1	Unit selection: p0505	Func. diagram: 8016, 8017
	Min	Max	Factory setting
	- [°C]	- [°C]	- [°C]
Description:	Display and connector output for the actual temperature in the motor.		
Note:	For r0035 not equal to -200.0 °C, the following applies: - this temperature display is valid. - a KTY sensor is connected. - for induction motors, the thermal motor model is activated (p0601 = 0). For r0035 equal to -200.0 °C, the following applies: - this temperature display is not valid (temperature sensor error). - A PTC sensor or bimetallic NC contact is connected. - for synchronous motors, the thermal motor model is activated (p0601 = 0).		
r0036	CO: Power unit overload I2t / PU overload I2t		
	Access level: 3	Calculated: -	Data type: FloatingPoint32
	Can be changed: -	Scaling: PERCENT	Dyn. index: -
	Units group: -	Unit selection: -	Func. diagram: 8014
	Min	Max	Factory setting
	- [%]	- [%]	- [%]
Description:	Displays the power unit overload determined using the I2t calculation. A current reference value is defined for the I2t monitoring of the power unit. It represents the current that can be conducted by the power unit without any influence of the switching losses (e.g. the continuously permissible current of the capacitors, inductances, busbars, etc.). If the I2t reference current of the power unit is not exceeded, then an overload (0 %) is not displayed. In the other case, the degree of thermal overload is calculated, whereby 100% results in a trip.		
Dependency:	Refer to: p0290, p0294		
r0037[0...19]	CO: Power unit temperatures / PU temperatures		
	Access level: 4	Calculated: -	Data type: FloatingPoint32
	Can be changed: -	Scaling: p2006	Dyn. index: -
	Units group: 21_1	Unit selection: p0505	Func. diagram: 8014
	Min	Max	Factory setting
	- [°C]	- [°C]	- [°C]
Description:	Display and connector output for the temperature in the power unit.		
Index:	[0] = Inverter maximum value [1] = Depletion layer maximum value [2] = Rectifier maximum value [3] = Air intake [4] = Interior of power unit [5] = Inverter 1 [6] = Inverter 2 [7...10] = Reserved [11] = Rectifier 1 [12] = Reserved [13] = Depletion layer 1 [14] = Depletion layer 2 [15] = Depletion layer 3 [16] = Depletion layer 4 [17] = Depletion layer 5 [18] = Depletion layer 6 [19] = Reserved		
Notice:	Only for internal Siemens troubleshooting.		

Note: The value of -200 indicates that there is no measuring signal.
r0037[0]: Maximum value of the inverter temperatures (r0037[5...10]).
r0037[1]: Maximum value of the depletion layer temperatures (r0037[13...18]).
r0037[2]: Maximum value of the rectifier temperatures (r0037[11...12]).
The maximum value is the temperature of the hottest inverter, depletion layer, or rectifier.
r0037[2, 3, 6, 11, 14...18] is only relevant for chassis power units.
In the case of a fault, the particular shutdown threshold depends on the power unit, and cannot be read out.

r0038 Power factor smoothed / Cos phi smooth

Access level: 4	Calculated: -	Data type: FloatingPoint32
Can be changed: -	Scaling: -	Dyn. index: -
Units group: -	Unit selection: -	Func. diagram: 6799, 8850, 8950
Min	Max	Factory setting
-	-	-

Description: Displays the smoothed actual power factor. This refers to the electrical power of the basic fundamental signals at the converter output terminals.

Notice: For infeed units, the following applies:

For active powers < 25 % of the rated power, this does not provide any useful information.

Note: Smoothing time constant = 300 ms

The signal is not suitable as a process quantity and may only be used as a display quantity.

r0039[0...2] Energy display / Energy displ

Access level: 2	Calculated: -	Data type: FloatingPoint32
Can be changed: -	Scaling: -	Dyn. index: -
Units group: -	Unit selection: -	Func. diagram: -
Min	Max	Factory setting
- [kWh]	- [kWh]	- [kWh]

Description: Displays the energy values at the output terminals of the power unit.

Index:
[0] = Energy balance (sum)
[1] = Energy drawn
[2] = Energy fed back

Dependency: Refer to: p0040

Note: Re index 0:
Sum of the energy drawn and energy that is fed back.

p0040 Reset energy consumption display / Energy usage reset

Access level: 3	Calculated: -	Data type: Unsigned8
Can be changed: U, T	Scaling: -	Dyn. index: -
Units group: -	Unit selection: -	Func. diagram: -
Min	Max	Factory setting
0	1	0

Description: Setting to reset the display in r0039 and r0041.

Procedure:

Set p0040 = 0 --> 1

The displays are reset and the parameter is automatically set to zero.

Dependency: Refer to: r0039

r0041 Energy consumption saved / Energy cons saved

Access level: 2	Calculated: -	Data type: FloatingPoint32
Can be changed: -	Scaling: -	Dyn. index: -
Units group: -	Unit selection: -	Func. diagram: -
Min	Max	Factory setting
- [kWh]	- [kWh]	- [kWh]

Description: Displays the saved energy referred to 100 operating hours.

2 Parameters

2.2 List of parameters

Dependency: Refer to: p0040
Note: This display is used for a fluid-flow machine.
 The flow characteristic is entered into p3320 ... p3329.
 For an operating time of below 100 hours, the display is interpolated up to 100 hours.

p0045	Display values smoothing time constant / Disp_val T_smooth		
	Access level: 3	Calculated: -	Data type: FloatingPoint32
	Can be changed: U, T	Scaling: -	Dyn. index: -
	Units group: -	Unit selection: -	Func. diagram: 6714, 8012
	Min	Max	Factory setting
	0.00 [ms]	10000.00 [ms]	4.00 [ms]

Description: Sets the smoothing time constant for the following display values:
 r0063[1], r0068[1], r0080[1], r0082[1].

r0046.0...31	CO/BO: Missing enable sig / Missing enable sig		
	Access level: 1	Calculated: -	Data type: Unsigned32
	Can be changed: -	Scaling: -	Dyn. index: -
	Units group: -	Unit selection: -	Func. diagram: 2634
	Min	Max	Factory setting
	-	-	-

Description: Display and BICO output for missing enable signals that are preventing the closed-loop drive control from being commissioned.

Bit field:	Bit	Signal name	1 signal	0 signal	FP
	00	OFF1 enable missing	Yes	No	7954
	01	OFF2 enable missing	Yes	No	-
	02	OFF3 enable missing	Yes	No	-
	03	Operation enable missing	Yes	No	-
	04	Armature short-circuit / DC braking enable missing	Yes	No	-
	05	STOP2 enable missing	Yes	No	-
	08	Safety enable missing	Yes	No	-
	09	Infeed enable missing	Yes	No	-
	10	Ramp-function generator enable missing	Yes	No	-
	11	Ramp-function generator start missing	Yes	No	-
	12	Setpoint enable missing	Yes	No	-
	15	QuickStop enable missing	Yes	No	-
	16	OFF1 enable internal missing	Yes	No	-
	17	OFF2 enable internal missing	Yes	No	-
	18	OFF3 enable internal missing	Yes	No	-
	19	Pulse enable internal missing	Yes	No	-
	20	Armature short-circuit/DC braking internal enable missing	Yes	No	-
	21	STOP2 enable internal missing	Yes	No	-
	25	Function bypass active	Yes	No	-
	26	Drive inactive or not operational	Yes	No	-
	27	De-magnetizing not completed	Yes	No	-
	28	Brake open missing	Yes	No	-
	29	Cooling unit ready signal missing	Yes	No	-
	30	Speed controller inhibited	Yes	No	-
	31	Jog setpoint active	Yes	No	-

Dependency: Refer to: r0002
Note: The value r0046 = 0 indicates that all enable signals for this drive are present.
 Bit 00 = 1 (enable signal missing), if:
 - the signal source in p0840 is a 0 signal.
 - there is a "switching on inhibited".
 Bit 01 = 1 (enable signal missing), if:
 - the signal source in p0844 or p0845 is a 0 signal.
 Bit 02 = 1 (enable signal missing), if:
 - the signal source in p0848 or p0849 is a 0 signal.

- Bit 03 = 1 (enable signal missing), if:
- the signal source in p0852 is a 0 signal.
- Bit 04 = 1 (armature short-circuit active), if:
- the signal source in p1230 has a 1 signal
- Bit 05, Bit 06: Being prepared
- Bit 08 = 1 (enable signal missing), if:
- safety functions have been enabled and STO is active.
- STO selected via onboard terminals:
- the pulse enable via fail-safe digital inputs is missing.
- STO selected via PROFIsafe:
- A safety-relevant signal is present with a STOP A response.
- Bit 09 = 1 (enable signal missing), if:
- the signal source in p0864 is a 0 signal.
- Bit 10 = 1 (enable signal missing), if:
- the signal source in p1140 is a 0 signal.
- Bit 11 = 1 (enable signal missing) if the speed setpoint is frozen, because:
- the signal source in p1141 is a 0 signal.
 - the speed setpoint is entered from jogging and the two signal sources for jogging, bit 0 (p1055) and bit 1 (p1056) have a 1 signal.
- Bit 12 = 1 (enable signal missing), if:
- the signal source in p1142 is a 0 signal.
 - When activating the function module "basic positioner" (r0108.4 = 1), the signal source in p1142 is set to a 0 signal.
- Bit 16 = 1 (enable signal missing), if:
- there is an OFF1 fault response. The system is only enabled if the fault is removed and was acknowledged and the "switching on inhibited" withdrawn with OFF1 = 0.
- Bit 17 = 1 (enable signal missing), if:
- commissioning mode is selected (p0009 > 0 or p0010 > 0).
 - there is an OFF2 fault response.
 - the drive is inactive (p0105 = 0) or is not operational (r7850[DO-Index]=0).
- Bit 18 = 1 (enable signal missing), if:
- OFF3 has still not been completed or an OFF3 fault response is present.
- Bit 19 = 1 (internal pulse enable missing), if:
- synchronization is running between the basic clock cycle, DRIVE-CLiQ clock cycle and application clock cycle.
- Bit 20 = 1 (internal armature short-circuit active), if:
- the drive is not in the state "S4: Operation" or "S5x" (refer to function diagram 2610).
 - the internal pulse enable is missing (r0046.19 = 0).
- Bit 21 = 1 (enable signal missing), if:
- The pulses have been enabled and the speed setpoint has still not been enabled, because:
- the holding brake opening time (p1216) has still not expired.
 - the motor has still not been magnetized (induction motor).
 - the encoder has not been calibrated (U/f vector and synchronous motor).
- Bit 22: Being prepared
- Bit 26 = 1 (enable signal missing), if:
- the drive is inactive (p0105 = 0) or is not operational (r7850[DO-Index]=0).
 - the function "parking axis" is selected (BI: p0897 = 1 signal)..
 - all power units of a parallel connection are deactivated (p0125, p0895).
- Bit 27 = 1 (enable signal missing), if:
- de-magnetizing has still not been completed (only for vector).
- Bit 28 = 1 (enable signal missing), if:
- the holding brake is closed or has still not been opened.
- Bit 29 = 1 (enable signal missing), if:
- the cooling unit ready signal via binector input p0266[1] missing.
- Bit 30 = 1 (speed controller inhibited), if one of the following reasons is present:
- A 0 signal is available via binector input p0856.
 - the function generator with current input is active.

2 Parameters

2.2 List of parameters

- the measuring function "current controller reference frequency characteristic" is active.
 - the pole position identification is active.
 - motor data identification is active (only certain steps).
- Bit 31 = 1 (enable signal missing), if:
- the speed setpoint from jog 1 or 2 is entered.

r0047 Motor data identification and speed controller optimization / MotID and n_opt

Access level: 1	Calculated: -	Data type: Integer16
Can be changed: -	Scaling: -	Dyn. index: -
Units group: -	Unit selection: -	Func. diagram: -
Min	Max	Factory setting
0	300	-

Description: Displays the actual status for the motor data identification (stationary measurement) and the speed controller optimization (rotating measurement).

Value:

0:	No measurement
115:	Measurement q leakage inductance (part 2)
120:	Speed controller optimization (vibration test)
140:	Calculate speed controller setting
150:	Measurement moment of inertia
170:	Measurement magnetizing current and saturation characteristic
195:	Measurement q leakage inductance (part 1)
200:	Rotating measurement selected
220:	identification leakage inductance
230:	Identification rotor time constant
240:	Identification stator inductance
250:	Identification stator inductance LQLD
270:	Identification stator resistance
290:	Identification valve lockout time
300:	Stationary measurement selected

r0049[0...3] Motor data set/encoder data set effective / MDS/EDS effective

Access level: 2	Calculated: -	Data type: Unsigned8
Can be changed: -	Scaling: -	Dyn. index: -
Units group: -	Unit selection: -	Func. diagram: 8565
Min	Max	Factory setting
-	-	-

Description: Displays the effective Motor Data Set (MDS) and the effective Encoder Data Sets (EDS).

Index:

- [0] = Motor Data Set MDS effective
- [1] = Encoder 1 Encoder Data Set EDS effective
- [2] = Encoder 2 Encoder Data Set EDS effective
- [3] = Reserved

Dependency: Refer to: p0187, p0188

Note: Value 99 means the following: No encoder assigned (not configured).

r0050.0...1 CO/BO: Command Data Set CDS effective / CDS effective

Access level: 3	Calculated: -	Data type: Unsigned8
Can be changed: -	Scaling: -	Dyn. index: -
Units group: -	Unit selection: -	Func. diagram: 8560
Min	Max	Factory setting
-	-	-

Description: Displays the effective Command Data Set (CDS).

Bit field:	Bit	Signal name	1 signal	0 signal	FP
	00	CDS eff bit 0	ON	OFF	-
	01	CDS eff bit 1	ON	OFF	-

Dependency: Refer to: p0810, p0811, r0836

Note: The Command Data Set selected using a binector input (e.g. p0810) is displayed using r0836.

r0051.0...1	CO/BO: Drive Data Set DDS effective / DDS effective				
	Access level: 2	Calculated: -	Data type: Unsigned8		
	Can be changed: -	Scaling: -	Dyn. index: -		
	Units group: -	Unit selection: -	Func. diagram: 8565		
	Min	Max	Factory setting		
	-	-	-		
Description:	Displays the effective Drive Data Set (DDS).				
Bit field:	Bit	Signal name	1 signal	0 signal	FP
	00	DDS eff bit 0	ON	OFF	-
	01	DDS eff bit 1	ON	OFF	-
Dependency:	Refer to: p0820, p0821, r0837				
Note:	When selecting the motor data identification routine and the rotating measurement, the drive data set changeover is suppressed.				

r0052.0...15	CO/BO: Status word 1 / ZSW 1				
	Access level: 2	Calculated: -	Data type: Unsigned16		
	Can be changed: -	Scaling: -	Dyn. index: -		
	Units group: -	Unit selection: -	Func. diagram: -		
	Min	Max	Factory setting		
	-	-	-		
Description:	Display and connector output for status word 1.				
Bit field:	Bit	Signal name	1 signal	0 signal	FP
	00	Rdy for switch on	Yes	No	-
	01	Ready	Yes	No	-
	02	Operation enabled	Yes	No	-
	03	Fault present	Yes	No	-
	04	Coast down active (OFF2)	No	Yes	-
	05	Quick Stop active (OFF3)	No	Yes	-
	06	Switching on inhibited active	Yes	No	-
	07	Alarm present	Yes	No	-
	08	Deviation setpoint/actual speed	No	Yes	-
	09	Control request	Yes	No	-
	10	Maximum speed reached	Yes	No	-
	11	I, M, P limit reached	No	Yes	-
	12	Motor holding brake open	Yes	No	-
	13	Alarm motor overtemperature	No	Yes	-
	14	Motor rotates forwards	Yes	No	-
	15	Alarm drive converter overload	No	Yes	-
Notice:	p2080 is used to define the signal sources of the PROFIdrive status word interconnection.				
Note:	Re bit 03: This signal is inverted if it is interconnected to a digital output. Re r0052: The status bits have the following sources: Bit 00: r0899 Bit 0 Bit 01: r0899 Bit 1 Bit 02: r0899 Bit 2 Bit 03: r2139 Bit 3 (or r1214.10 for p1210 > 0) Bit 04: r0899 Bit 4 Bit 05: r0899 Bit 5 Bit 06: r0899 Bit 6 Bit 07: r2139 Bit 7 Bit 08: r2197 Bit 7 Bit 09: r0899 Bit 7 Bit 10: r2197 Bit 6 Bit 11: r0056 Bit 13 (negated) Bit 12: r0899 Bit 12				

2 Parameters

2.2 List of parameters

Bit 13: r2135 Bit 14 (negated)
 Bit 14: r2197 Bit 3
 Bit 15: r2135 Bit 15 (negated)

r0053.0...11

CO/BO: Status word 2 / ZSW 2

Access level: 2 **Calculated:** - **Data type:** Unsigned16
Can be changed: - **Scaling:** - **Dyn. index:** -
Units group: - **Unit selection:** - **Func. diagram:** -
Min **Max** **Factory setting**
 - - -

Description: Display and BICO output for status word 2.

Bit field:	Bit	Signal name	1 signal	0 signal	FP
	00	DC braking active	Yes	No	-
	01	n_act > p1226 (n_standstill)	Yes	No	-
	02	n_act > p1080 (n_min)	Yes	No	-
	03	l_act >= p2170	Yes	No	-
	04	n_act > p2155	Yes	No	-
	05	n_act <= p2155	Yes	No	-
	06	n_act >= r1119 (n_set)	Yes	No	-
	07	Vdc <= p2172	Yes	No	-
	08	Vdc > p2172	Yes	No	-
	09	Ramp-up/ramp-down completed	Yes	No	-
	10	Technology controller output at the lower limit	Yes	No	-
	11	Technology controller output at the upper limit	Yes	No	-

Notice: p2081 is used to define the signal sources of the PROFIdrive status word interconnection.

Note: The following status bits are displayed in r0053:

Bit 00: r1239 Bit 8
 Bit 01: r2197 Bit 5 (negated)
 Bit 02: r2197 Bit 0 (negated)
 Bit 03: r2197 Bit 8
 Bit 04: r2197 Bit 2
 Bit 05: r2197 Bit 1
 Bit 06: r2197 Bit 4
 Bit 07: r2197 Bit 9
 Bit 08: r2197 Bit 10
 Bit 09: r1199 Bit 2 (negated)
 Bit 10: r2349 Bit 10
 Bit 11: r2349 Bit 11

r0054.0...15

CO/BO: Control word 1 / STW 1

Access level: 2 **Calculated:** - **Data type:** Unsigned16
Can be changed: - **Scaling:** - **Dyn. index:** -
Units group: - **Unit selection:** - **Func. diagram:** -
Min **Max** **Factory setting**
 - - -

Description: Displays control word 1.

Bit field:	Bit	Signal name	1 signal	0 signal	FP
	00	ON/OFF1	Yes	No	-
	01	OC / OFF2	Yes	No	-
	02	OC / OFF3	Yes	No	-
	03	Operation enable	Yes	No	-
	04	Ramp-function generator enable	Yes	No	-
	05	Continue ramp-function generator	Yes	No	-
	06	Speed setpoint enable	Yes	No	-
	07	Acknowledge fault	Yes	No	-

08	Jog bit 0	Yes	No	3030
09	Jog bit 1	Yes	No	3030
10	Master ctrl by PLC	Yes	No	-
11	Direction reversal (setpoint)	Yes	No	-
13	Motorized potentiometer raise	Yes	No	-
14	Motorized potentiometer lower	Yes	No	-
15	CDS bit 0	Yes	No	-

Note: The following control bits are displayed in r0054:

Bit 00: r0898 Bit 0
 Bit 01: r0898 Bit 1
 Bit 02: r0898 Bit 2
 Bit 03: r0898 Bit 3
 Bit 04: r0898 Bit 4
 Bit 05: r0898 Bit 5
 Bit 06: r0898 Bit 6
 Bit 07: r2138 Bit 7
 Bit 08: r0898 Bit 8
 Bit 09: r0898 Bit 9
 Bit 10: r0898 Bit 10
 Bit 11: r1198 Bit 11
 Bit 13: r1198 Bit 13
 Bit 14: r1198 Bit 14
 Bit 15: r0836 Bit 0

r0055.0...15**CO/BO: Supplementary control word / Suppl STW**

Access level: 3	Calculated: -	Data type: Unsigned16
Can be changed: -	Scaling: -	Dyn. index: -
Units group: -	Unit selection: -	Func. diagram: 2513
Min	Max	Factory setting
-	-	-

Description: Display and BICO output for supplementary control word.

Bit field:	Bit	Signal name	1 signal	0 signal	FP
	00	Fixed setp bit 0	Yes	No	-
	01	Fixed setp bit 1	Yes	No	-
	02	Fixed setp bit 2	Yes	No	-
	03	Fixed setp bit 3	Yes	No	-
	04	DDS select. bit 0	Yes	No	-
	05	DDS select. bit 1	Yes	No	-
	08	Technology controller enable	Yes	No	-
	09	DC braking enable	Yes	No	-
	11	Droop enable	Yes	No	-
	12	Torque control active	Yes	No	-
	13	External fault 1 (F07860)	No	Yes	-
	15	CDS bit 1	Yes	No	-

Note: CDS: Command Data Set
 DDS: Drive Data Set (DDS)
 The following control bits are displayed in r0055:

Bit 00: r1198.0
 Bit 01: r1198.1
 Bit 02: r1198.2
 Bit 03: r1198.3
 Bit 04: r0837.0
 Bit 05: r0837.1
 Bit 08: r2349.0 (negated)
 Bit 09: r1239.11
 Bit 11: r1406.11
 Bit 12: r1406.12

2 Parameters

2.2 List of parameters

Bit 13: r2138.13 (negated)

Bit 15: r0836.1

r0056.0...15		CO/BO: Status word, closed-loop control / ZSW cl-loop ctrl			
PM240	Access level: 3	Calculated: -	Data type: Unsigned16		
	Can be changed: -	Scaling: -	Dyn. index: -		
	Units group: -	Unit selection: -	Func. diagram: -		
	Min	Max	Factory setting		
	-	-	-		
Description:	Display and BICO output for the status word of the closed-loop control.				
Bit field:	Bit	Signal name	1 signal	0 signal	FP
	00	Initialization completed	Yes	No	-
	01	De-magnetizing completed	Yes	No	-
	02	Pulse enable available	Yes	No	-
	03	Soft starting present	Yes	No	-
	04	Magnetizing completed	Yes	No	-
	05	Voltage boost when starting	Active	Inactive	6301
	06	Acceleration voltage	Active	Inactive	6301
	07	Frequency negative	Yes	No	-
	08	Field weakening active	Yes	No	-
	09	Voltage limit active	Yes	No	6714
	10	Slip limit active	Yes	No	6310
	11	Frequency limit active	Yes	No	-
	12	Current limiting controller voltage output active	Yes	No	-
	13	Current/torque limiting	Active	Inactive	6060
	14	Vdc_max controller active	Yes	No	6220, 6320
	15	Vdc_min controller active	Yes	No	6220, 6320

r0056.0...13		CO/BO: Status word, closed-loop control / ZSW cl-loop ctrl			
PM250	Access level: 3	Calculated: -	Data type: Unsigned16		
PM260	Can be changed: -	Scaling: -	Dyn. index: -		
	Units group: -	Unit selection: -	Func. diagram: -		
	Min	Max	Factory setting		
	-	-	-		
Description:	Display and BICO output for the status word of the closed-loop control.				
Bit field:	Bit	Signal name	1 signal	0 signal	FP
	00	Initialization completed	Yes	No	-
	01	De-magnetizing completed	Yes	No	-
	02	Pulse enable available	Yes	No	-
	03	Soft starting present	Yes	No	-
	04	Magnetizing completed	Yes	No	-
	05	Voltage boost when starting	Active	Inactive	6301
	06	Acceleration voltage	Active	Inactive	6301
	07	Frequency negative	Yes	No	-
	08	Field weakening active	Yes	No	-
	09	Voltage limit active	Yes	No	6714
	10	Slip limit active	Yes	No	6310
	11	Frequency limit active	Yes	No	-
	12	Current limiting controller voltage output active	Yes	No	-
	13	Current/torque limiting	Active	Inactive	6060

r0060	CO: Speed setpoint before the setpoint filter / n_set before filt.
Access level: 3	Calculated: -
Can be changed: -	Scaling: p2000
Units group: 3_1	Unit selection: p0505
Min	Max
- [rpm]	- [rpm]
Data type: FloatingPoint32	Dyn. index: -
Func. diagram: 2701, 2704, 5020, 6030, 6799	Factory setting
	- [rpm]
Description:	Displays the actual speed setpoint at the input of the speed controller or U/f characteristic (after the interpolator).
Dependency:	Refer to: r0020
Note:	The speed setpoint is available smoothed (r0020) and unsmoothed (r0060).

r0061[0...2]	CO: Actual speed unsmoothed / n_act unsmoothed
Access level: 2	Calculated: -
Can be changed: -	Scaling: p2000
Units group: 3_1	Unit selection: p0505
Min	Max
- [rpm]	- [rpm]
Data type: FloatingPoint32	Dyn. index: -
Func. diagram: 4715	Factory setting
	- [rpm]
Description:	Displays the unsmoothed actual speed values sensed by the encoders.
Index:	[0] = Encoder 1 [1] = Encoder 2 [2] = Reserved

r0062	CO: Speed setpoint after the filter / n_set after filter
Access level: 3	Calculated: -
Can be changed: -	Scaling: p2000
Units group: 3_1	Unit selection: p0505
Min	Max
- [rpm]	- [rpm]
Data type: FloatingPoint32	Dyn. index: -
Func. diagram: 6020, 6030, 6031	Factory setting
	- [rpm]
Description:	Display and connector output for the speed setpoint after the setpoint filters.

r0063[0...2]	CO: Speed actual value / n_act
Access level: 3	Calculated: -
Can be changed: -	Scaling: p2000
Units group: 3_1	Unit selection: p0505
Min	Max
- [rpm]	- [rpm]
Data type: FloatingPoint32	Dyn. index: -
Func. diagram: 6020, 6799	Factory setting
	- [rpm]
Description:	Displays the actual speed of the closed-loop speed control and the U/f control. For U/f control and when slip compensation is deactivated (see p1335), the synchronous speed to the output frequency is shown in r0063[0].
Index:	[0] = Unsmoothed [1] = Smoothed with p0045 [2] = Calculated from f_set - f_slip
Dependency:	Refer to: r0021, r0022
Note:	The speed actual value r0063[0] is additionally displayed - smoothed with p0045 - in r0063[1]. The speed (r0063[2]) calculated from the output frequency and slip can only be compared with the speed actual value (r0063[0]) in the steady-state.

r0064	CO: Speed controller system deviation / n_ctrl system dev		
	Access level: 3	Calculated: -	Data type: FloatingPoint32
	Can be changed: -	Scaling: p2000	Dyn. index: -
	Units group: 3_1	Unit selection: p0505	Func. diagram: 5040, 6040
	Min	Max	Factory setting
	- [rpm]	- [rpm]	- [rpm]
Description:	Displays the actual system deviation of the speed controller.		
r0065	Slip frequency / f_Slip		
	Access level: 3	Calculated: -	Data type: FloatingPoint32
	Can be changed: -	Scaling: p2000	Dyn. index: -
	Units group: 2_1	Unit selection: p0505	Func. diagram: 6310, 6700, 6727, 6730, 6732
	Min	Max	Factory setting
	- [Hz]	- [Hz]	- [Hz]
Description:	Displays the slip frequency for induction motors (ASM).		
r0066	CO: Output frequency / f_outp		
	Access level: 3	Calculated: -	Data type: FloatingPoint32
	Can be changed: -	Scaling: p2000	Dyn. index: -
	Units group: 2_1	Unit selection: p0505	Func. diagram: 6300, 6310, 6730, 6731, 6799
	Min	Max	Factory setting
	- [Hz]	- [Hz]	- [Hz]
Description:	Display and connector output for the output frequency of the power unit.		
Dependency:	Refer to: r0024		
Note:	The output frequency is available smoothed (r0024) and unsmoothed (r0066). For vector control and operation with encoder (p0400 > 0), the following applies: The parameter value corresponds to the actual encoder speed.		
r0067	CO: Output current maximum / I_outp max		
	Access level: 3	Calculated: -	Data type: FloatingPoint32
	Can be changed: -	Scaling: p2002	Dyn. index: -
	Units group: 6_2	Unit selection: p0505	Func. diagram: 6300, 6640, 6724
	Min	Max	Factory setting
	- [Arms]	- [Arms]	- [Arms]
Description:	Display and connector output for the maximum output current of the power unit.		
Dependency:	The maximum output current is determined by the parameterized current limit and the motor and converter thermal protection. Refer to: p0290, p0640		
r0068[0...1]	CO: Absolute current actual value / I_act abs val		
	Access level: 3	Calculated: -	Data type: FloatingPoint32
	Can be changed: -	Scaling: p2002	Dyn. index: -
	Units group: 6_2	Unit selection: p0505	Func. diagram: 6300, 6714, 6799, 7017, 8014, 8017, 8018
	Min	Max	Factory setting
	- [Arms]	- [Arms]	- [Arms]
Description:	Displays actual absolute current.		
Index:	[0] = Unsmoothed [1] = Smoothed with p0045		
Dependency:	Refer to: r0027		
Notice:	The value is updated with the current controller sampling time.		

Note: Absolute current value = $\sqrt{I_q^2 + I_d^2}$
 The absolute value of the current actual value is available smoothed (r0027 with 300 ms, r0068[1] with p0045) and unsmoothed (r0068[0]).

r0069[0...6]	CO: Phase current actual value / I_phase act value		
	Access level: 4	Calculated: -	Data type: FloatingPoint32
	Can be changed: -	Scaling: p2002	Dyn. index: -
	Units group: 6_5	Unit selection: p0505	Func. diagram: 6730, 6731
	Min	Max	Factory setting
	- [A]	- [A]	- [A]
Description:	Display and connector output for the measured actual phase currents as peak value.		
Index:	[0] = Phase U [1] = Phase V [2] = Phase W [3] = Phase U offset [4] = Phase V offset [5] = Phase W offset [6] = Total U, V, W		
Note:	In indices 3 ... 5, the offset currents of the 3 phases, which are added to correct the phase currents, are displayed. The sum of the 3 corrected phase currents is displayed in index 6.		

r0070	CO: Actual DC link voltage / Vdc act val		
	Access level: 3	Calculated: -	Data type: FloatingPoint32
	Can be changed: -	Scaling: p2001	Dyn. index: -
	Units group: 5_2	Unit selection: p0505	Func. diagram: 6723, 6724, 6730, 6731, 6799
	Min	Max	Factory setting
	- [V]	- [V]	- [V]
Description:	Display and connector output for the measured actual value of the DC link voltage.		
Dependency:	Refer to: r0026		
Notice:	When measuring a DC link voltage < 200 V, for the Power Module a valid measured value is not supplied. In this case, when an external 24 V power supply is connected, a value of approx. 24 V is displayed in the display parameter.		
Note:	The DC link voltage is available smoothed (r0026) and unsmoothed (r0070).		

r0071	Maximum output voltage / U_output max		
	Access level: 3	Calculated: -	Data type: FloatingPoint32
	Can be changed: -	Scaling: p2001	Dyn. index: -
	Units group: 5_1	Unit selection: p0505	Func. diagram: 6301, 6640, 6700, 6722, 6723, 6724, 6725, 6727
	Min	Max	Factory setting
	- [Vrms]	- [Vrms]	- [Vrms]
Description:	Displays the maximum output voltage.		
Dependency:	The maximum output voltage depends on the actual DC link voltage (r0070) and the maximum modulation depth (p1803).		
Note:	As the (driven) motor load increases, the maximum output voltage drops as a result of the reduction in DC link voltage.		

r0072	CO: Output voltage / U_output		
	Access level: 3	Calculated: -	Data type: FloatingPoint32
	Can be changed: -	Scaling: p2001	Dyn. index: -
	Units group: 5_1	Unit selection: p0505	Func. diagram: 5700, 6730, 6731, 6799
	Min	Max	Factory setting
	- [Vrms]	- [Vrms]	- [Vrms]
Description:	Display and connector output for the actual output voltage of the power unit.		
Dependency:	Refer to: r0025		
Note:	The output voltage is available smoothed (r0025) and unsmoothed (r0072).		

r0073	Maximum modulation depth / Modulat_depth max		
	Access level: 4	Calculated: -	Data type: FloatingPoint32
	Can be changed: -	Scaling: PERCENT	Dyn. index: -
	Units group: -	Unit selection: -	Func. diagram: 6723, 6724
	Min	Max	Factory setting
	- [%]	- [%]	- [%]
Description:	Displays the maximum modulation depth.		
Dependency:	Refer to: p1803		

r0074	CO: Modulat_depth / Modulat_depth		
	Access level: 4	Calculated: -	Data type: FloatingPoint32
	Can be changed: -	Scaling: PERCENT	Dyn. index: -
	Units group: -	Unit selection: -	Func. diagram: 5730, 6730, 6731, 6799, 8940, 8950
	Min	Max	Factory setting
	- [%]	- [%]	- [%]
Description:	Displays the actual modulation depth.		
Dependency:	Refer to: r0028		
Note:	For space vector modulation, 100% corresponds to the maximum output voltage without overcontrol. Values above 100 % indicate an overcontrol condition - values below 100% have no overcontrol. The phase voltage (phase-to-phase, rms) is calculated as follows: $(r0074 \times r0070) / (\sqrt{2} \times 100 \%)$. The modulation depth is available smoothed (r0028) and unsmoothed (r0074).		

r0075	CO: Current setpoint field-generating / Id_set		
	Access level: 3	Calculated: -	Data type: FloatingPoint32
	Can be changed: -	Scaling: p2002	Dyn. index: -
	Units group: 6_2	Unit selection: p0505	Func. diagram: 6700, 6714, 6725
	Min	Max	Factory setting
	- [Arms]	- [Arms]	- [Arms]
Description:	Display and connector output for the field-generating current setpoint (Id_set).		
Note:	This value is irrelevant for the U/f control mode.		

r0076	CO: Current actual value field-generating / Id_act		
	Access level: 3	Calculated: -	Data type: FloatingPoint32
	Can be changed: -	Scaling: p2002	Dyn. index: -
	Units group: 6_2	Unit selection: p0505	Func. diagram: 5700, 5714, 5730, 6700, 6714, 6799
	Min	Max	Factory setting
	- [Arms]	- [Arms]	- [Arms]
Description:	Display and connector output for the field-generating current actual voltage (Id_act).		
Dependency:	Refer to: r0029		

Note: This value is irrelevant for the U/f control mode.
The field-generating current actual value is available smoothed (r0029) and unsmoothed (r0076).

r0077 **CO: Current setpoint torque-generating / Iq_set**

Access level: 3	Calculated: -	Data type: FloatingPoint32
Can be changed: -	Scaling: p2002	Dyn. index: -
Units group: 6_2	Unit selection: p0505	Func. diagram: 6700, 6710
Min - [Arms]	Max - [Arms]	Factory setting - [Arms]

Description: Display and connector output for the torque-generating current setpoint.
Note: This value is irrelevant for the U/f control mode.

r0078 **CO: Current actual value torque-generating / Iq_act**

Access level: 3	Calculated: -	Data type: FloatingPoint32
Can be changed: -	Scaling: p2002	Dyn. index: -
Units group: 6_2	Unit selection: p0505	Func. diagram: 6310, 6700, 6714, 6799
Min - [Arms]	Max - [Arms]	Factory setting - [Arms]

Description: Display and connector output for the torque-generating current actual voltage (Iq_act).
Dependency: Refer to: r0030
Note: This value is irrelevant for the U/f control mode.
The torque-generating current actual value is available smoothed (r0030 with 300 ms) and unsmoothed (r0078).

r0079 **CO: Torque setpoint / M_set**

Access level: 3	Calculated: -	Data type: FloatingPoint32
Can be changed: -	Scaling: p2003	Dyn. index: -
Units group: 7_1	Unit selection: p0505	Func. diagram: 6020, 6060, 6710
Min - [Nm]	Max - [Nm]	Factory setting - [Nm]

Description: Display and connector output for the torque setpoint at the output of the speed controller.

r0080[0...1] **CO: Torque actual value / M_act**

Access level: 3	Calculated: -	Data type: FloatingPoint32
Can be changed: -	Scaling: p2003	Dyn. index: -
Units group: 7_1	Unit selection: p0505	Func. diagram: 6714, 6799
Min - [Nm]	Max - [Nm]	Factory setting - [Nm]

Description: Display and connector output for actual torque value.
Index: [0] = Unsmoothed
[1] = Smoothed with p0045
Dependency: Refer to: r0031, p0045
Note: The value is available smoothed (r0031 with 100 ms, r0080[1] with p0045) and unsmoothed (r0080[0]).

r0081 **CO: Torque utilization / M_Utilization**

Access level: 4	Calculated: -	Data type: FloatingPoint32
Can be changed: -	Scaling: PERCENT	Dyn. index: -
Units group: -	Unit selection: -	Func. diagram: 8012
Min - [%]	Max - [%]	Factory setting - [%]

Description: Displays the torque utilization as a percentage.
The torque utilization is obtained from the required smoothed torque referred to the torque limit.

2 Parameters

2.2 List of parameters

Dependency: This parameter is only available for vector control. For U/f control r0081 = 0 %.
Refer to: r0033

Note: The torque utilization is available smoothed (r0033) and unsmoothed (r0081).
The torque utilization is obtained from the required torque referred to the torque limit as follows:
- Positive torque: $r0081 = (r0079 / r1538) * 100 \%$
- Negative torque: $r0081 = (-r0079 / -r1539) * 100 \%$

r0082[0...2] CO: Active power actual value / P_act

Access level: 3	Calculated: -	Data type: FloatingPoint32
Can be changed: -	Scaling: r2004	Dyn. index: -
Units group: 14_5	Unit selection: p0505	Func. diagram: 6714, 6799
Min	Max	Factory setting
- [kW]	- [kW]	- [kW]

Description: Displays the instantaneous active power.

Index: [0] = Unsmoothed
[1] = Smoothed with p0045
[2] = Electric power

Dependency: Refer to: r0032

Note: The mechanical active power is available smoothed (r0032 with 100 ms, r0082[1] with p0045) and unsmoothed (r0082[0]).

r0083 CO: Flux setpoint / Flex setp

Access level: 4	Calculated: -	Data type: FloatingPoint32
Can be changed: -	Scaling: PERCENT	Dyn. index: -
Units group: -	Unit selection: -	Func. diagram: 5722
Min	Max	Factory setting
- [%]	- [%]	- [%]

Description: Displays the flux setpoint.

r0084[0...1] CO: Flux actual value / Flux act val

Access level: 4	Calculated: -	Data type: FloatingPoint32
Can be changed: -	Scaling: PERCENT	Dyn. index: -
Units group: -	Unit selection: -	Func. diagram: 6730, 6731
Min	Max	Factory setting
- [%]	- [%]	- [%]

Description: Displays the flux actual value.

Index: [0] = Unsmoothed
[1] = Smoothed

r0087 CO: Actual power factor / Cos phi act

Access level: 3	Calculated: -	Data type: FloatingPoint32
Can be changed: -	Scaling: -	Dyn. index: -
Units group: -	Unit selection: -	Func. diagram: -
Min	Max	Factory setting
-	-	-

Description: Displays the actual active power factor.

This value refers to the electrical power of the basic fundamental signals at the output terminals of the converter.

r0089[0...2]	Actual phase voltage / U_phase act val				
	Access level: 4	Calculated: -	Data type: FloatingPoint32		
	Can be changed: -	Scaling: p2001	Dyn. index: -		
	Units group: 5_3	Unit selection: p0505	Func. diagram: 6719		
	Min	Max	Factory setting		
	- [V]	- [V]	- [V]		
Description:	Displays the actual phase voltage.				
Index:	[0] = Phase U [1] = Phase V [2] = Phase W				
Note:	The values are determined from the transistor power-on duration.				
r0094	CO: Transformation angle / Transformat_angle				
	Access level: 3	Calculated: -	Data type: FloatingPoint32		
	Can be changed: -	Scaling: p2005	Dyn. index: -		
	Units group: -	Unit selection: -	Func. diagram: -		
	Min	Max	Factory setting		
	- [°]	- [°]	- [°]		
Description:	Displays the transformation angle.				
Dependency:	Refer to: p0431, r1778				
Note:	The transformation angle corresponds to the electrical commutation angle.				
p0100	IEC/NEMA mot stds / IEC/NEMA mot stds				
	Access level: 1	Calculated: -	Data type: Integer16		
	Can be changed: C(1)	Scaling: -	Dyn. index: -		
	Units group: -	Unit selection: -	Func. diagram: -		
	Min	Max	Factory setting		
	0	2	0		
Description:	Defines whether the motor and drive converter power settings (e.g. rated motor power, p0307) are expressed in [kW] or [hp]. Depending on the selection, the rated motor frequency (p0310) is either set to 50 Hz or 60 Hz. For p0100 = 0, 2, the following applies: The power factor (p0308) should be parameterized. For p0100 = 1, the following applies: The efficiency (p0309) should be parameterized.				
Value:	0: IEC-Motor (50 Hz, SI units) 1: NEMA motor (60 Hz, US units) 2: NEMA motor (60 Hz, SI units)				
Dependency:	If p0100 is changed, all of the rated motor parameters are reset. Only then are possible unit changeovers made. The units of all motor parameters are changed that are involved in the selection of IEC or NEMA (e.g. r0206, p0307, r0333, r0334, p0341, p0344, r1969). Refer to: r0206, p0210, p0300, p0304, p0305, p0307, p0308, p0309, p0310, p0311, p0314, p0320, p0322, p0323, p0335, r0337, p1800				
Note:	The parameter value is not reset when the factory setting is restored (p0010 = 30, p0970).				
p0108[0...n]	Function module 1 / Fct_module 1				
	Access level: 3	Calculated: -	Data type: Unsigned32		
	Can be changed: C	Scaling: -	Dyn. index: -		
	Units group: -	Unit selection: -	Func. diagram: -		
	Min	Max	Factory setting		
	-	-	0000 0000 0000 0000 0000 0000 0000 0000 0000 bin		
Description:	The currently set function modules are displayed in index 0 and can be changed using p0010.				
Bit field:	Bit	Signal name	1 signal	0 signal	FP
	02	Closed-loop speed/torque control	Activated	Not activated	-
	03	Cl-loop pos ctrl	Activated	Not activated	-

2 Parameters

2.2 List of parameters

04	Basic positioner	Activated	Not activated	-
08	Extended setpoint channel	Activated	Not activated	-
10	Moment of inertia estimator	Activated	Not activated	-
13	Safety rotary axis	Activated	Not activated	-
15	Encoder	Activated	Not activated	-
16	Techn controller	Activated	Not activated	-
17	Extended messages/monitoring	Activated	Not activated	-
18	Free function blocks	Activated	Not activated	-
25	Power Module 230	Activated	Not activated	-
26	F3E power unit	Activated	Not activated	-
27	DC brake	Activated	Not activated	-
28	Compound brake	Activated	Not activated	-
29	Dynamic brake	Activated	Not activated	-
30	Vdc_min controller	Activated	Not activated	-
31	Vdc_max controller	Activated	Not activated	-

Dependency: Refer to: p0010

Note: A "function module" is a functional expansion of a drive object that can be activated when commissioning.

p0124[0...n] CU detection via LED / CU detection LED

Access level: 3	Calculated: -	Data type: Unsigned8
Can be changed: U, T	Scaling: -	Dyn. index: PDS
Units group: -	Unit selection: -	Func. diagram: -
Min	Max	Factory setting
0	1	0

Description: Identification of the Control Unit using an LED.

Note: While p0124 = 1, the READY LED flashes green/orange or red/orange with 2 Hz at the appropriate Control Unit.

p0133[0...n] Motor configuration / Motor config

Access level: 2	Calculated: -	Data type: Unsigned16
Can be changed: C(1, 3)	Scaling: -	Dyn. index: MDS
Units group: -	Unit selection: -	Func. diagram: -
Min	Max	Factory setting
-	-	0000 bin

Description: Configuration of the motor when commissioning the motor.

Bit field:	Bit	Signal name	1 signal	0 signal	FP
	00	Motor connection type	Delta	Star	-
	01	Motor 87 Hz operation	Yes	No	-

Dependency: For standard induction motors (p0301 > 10000), bit 0 is automatically preassigned the connection type of the selected data set.

For p0100 > 0 (60 Hz rated motor frequency), it is not possible to select bit 1.

Refer to: p0304, p0305, p1082

Note: Re bit 00:

When changing the bits, the rated motor voltage p0304 and the rated motor current p0305 are automatically converted to the selected connection type (star/delta).

Re bit 01:

87 Hz operation is only possible in the delta connection type. When selected, the maximum speed p1082 is automatically preassigned for a maximum output frequency of 87 Hz.

p0140 Number of Encoder Data Sets (EDS) / EDS count

Access level: 2	Calculated: -	Data type: Unsigned8
Can be changed: C(4)	Scaling: -	Dyn. index: -
Units group: -	Unit selection: -	Func. diagram: -
Min	Max	Factory setting
2	2	2

Description: Sets the number of Encoder Data Sets (EDS).

Note: When parameterizing the drive with "no encoder" there must be at least one encoder data set (p0140 >= 1).

p0142[0...n]	Encoder component number / Encoder comp_no		
	Access level: 3	Calculated: -	Data type: Unsigned8
	Can be changed: -	Scaling: -	Dyn. index: EDS, p0140
	Units group: -	Unit selection: -	Func. diagram: 4704
	Min	Max	Factory setting
	0	199	0
Description:	This parameter is used to assign the encoder data set to an encoder. This assignment is made using the unique component number that was assigned when parameterizing the topology. Only component numbers can be entered into this parameter that correspond to an encoder.		
Note:	If the encoder evaluation and encoder are integrated (motor with DRIVE-CLiQ), then their component numbers are identical. For an SMC, different component numbers are assigned for the SMC (p0141) and the (actual) encoder (p0142).		
r0148[0...n]	Sensor Module firmware version / SM FW version		
	Access level: 3	Calculated: -	Data type: Unsigned32
	Can be changed: -	Scaling: -	Dyn. index: EDS, p0140
	Units group: -	Unit selection: -	Func. diagram: -
	Min	Max	Factory setting
	-	-	-
Description:	Displays the firmware version of the Sensor Module.		
Dependency:	Refer to: r0018, r0197, r0198		
Note:	Example: The value 1010100 should be interpreted as V01.01.01.00.		
p0170	Number of Command Data Sets (CDS) / CDS count		
	Access level: 2	Calculated: -	Data type: Unsigned8
	Can be changed: C(15)	Scaling: -	Dyn. index: -
	Units group: -	Unit selection: -	Func. diagram: 8560
	Min	Max	Factory setting
	2	4	2
Description:	Sets the number of Command Data Sets (CDS).		
Dependency:	Refer to: p0010, r3996		
Notice:	When the data sets are created, short-term communication interruptions may occur.		
Note:	It is possible to toggle between command parameters (BICO parameters) using this data set changeover.		
p0180	Number of Drive Data Sets (DDS) / DDS count		
	Access level: 3	Calculated: -	Data type: Unsigned8
	Can be changed: C(15)	Scaling: -	Dyn. index: -
	Units group: -	Unit selection: -	Func. diagram: 8565
	Min	Max	Factory setting
	1	4	1
Description:	Sets the number of Drive Data Sets (DDS).		
Dependency:	Refer to: p0010, r3996		
Notice:	When the data sets are created, short-term communication interruptions may occur.		

p0187[0...n]	Encoder 1 encoder data set number / Enc 1 EDS number		
	Access level: 3	Calculated: -	Data type: Unsigned8
	Can be changed: C(4)	Scaling: -	Dyn. index: DDS, p0180
	Units group: -	Unit selection: -	Func. diagram: 8570
	Min	Max	Factory setting
	0	99	0
Description:	Assign a drive data set (= index) the corresponding encoder data set (EDS) for encoder 1. The value corresponds to the number of the assigned encoder data set. Example: Encoder data set 0 should be assigned to encoder 1 in drive data set 2. --> p0187[2] = 0		
Note:	A value of 99 means that no encoder has been assigned to this drive data set (not configured).		
p0188[0...n]	Encoder 2 encoder data set number / Enc 2 EDS number		
	Access level: 3	Calculated: -	Data type: Unsigned8
	Can be changed: C(4)	Scaling: -	Dyn. index: DDS, p0180
	Units group: -	Unit selection: -	Func. diagram: 8570
	Min	Max	Factory setting
	0	99	1
Description:	Assign a drive data set (= index) the corresponding encoder data set (EDS) for encoder 2. The value corresponds to the number of the assigned encoder data set. Example: Encoder data set 1 should be assigned to encoder 2 in drive data set 2. --> p0188[2] = 1		
Note:	A value of 99 means that no encoder has been assigned to this drive data set (not configured).		
r0197[0...1]	Bootloader version / Bootloader vers		
	Access level: 4	Calculated: -	Data type: Unsigned32
	Can be changed: -	Scaling: -	Dyn. index: -
	Units group: -	Unit selection: -	Func. diagram: -
	Min	Max	Factory setting
	-	-	-
Description:	Displays the bootloader version. Index 0: Displays the bootloader version. Index 1: Displays the bootloader version 3 (for CU320-2 and CU310-2) Value 0 means that boot loader 3 is not available.		
Dependency:	Refer to: r0018, r0148, r0198		
Note:	Example: The value 1010100 should be interpreted as V01.01.01.00.		
r0198[0...2]	BIOS/EEPROM data version / BIOS/EEPROM vers		
	Access level: 4	Calculated: -	Data type: Unsigned32
	Can be changed: -	Scaling: -	Dyn. index: -
	Units group: -	Unit selection: -	Func. diagram: -
	Min	Max	Factory setting
	-	-	-
Description:	Displays the BIOS and EEPROM data version. r0198[0]: BIOS version r0198[1]: EEPROM data version EEPROM 0 r0198[2]: EEPROM data version EEPROM 1		

Dependency: Refer to: r0018, r0148, r0197
Note: Example:
 The value 1010100 should be interpreted as V01.01.01.00.

r0200[0...n]	Power unit code number actual / PU code no. act		
	Access level: 3	Calculated: -	Data type: Unsigned16
	Can be changed: -	Scaling: -	Dyn. index: PDS
	Units group: -	Unit selection: -	Func. diagram: -
	Min	Max	Factory setting
	-	-	-

Description: Displays the unique code number of the power unit.
Note: r0200 = 0: No power unit data found

p0201[0...n]	Power unit code number / PU code no		
	Access level: 3	Calculated: -	Data type: Unsigned16
	Can be changed: C(2)	Scaling: -	Dyn. index: PDS
	Units group: -	Unit selection: -	Func. diagram: -
	Min	Max	Factory setting
	0	65535	0

Description: Sets the actual code number from r0200 to acknowledge the power unit being used.
 When commissioned for the first time, the code number is automatically transferred from r0200 into p0201.

Note: The parameter is used to identify when the drive is being commissioned for the first time.
 The power unit commissioning can only be exited (p0201 = r0200), if the actual and acknowledged code numbers are identical (p0010 = 2).
 When the code number is changed, the connection voltage (p0210) is checked and, if necessary, adjusted.

r0203[0...n]	Actual power unit type / PU actual type		
	Access level: 3	Calculated: -	Data type: Integer16
	Can be changed: -	Scaling: -	Dyn. index: PDS
	Units group: -	Unit selection: -	Func. diagram: -
	Min	Max	Factory setting
	2	400	-

Description: Displays the type of power unit found.

Value:

- 2: MICROMASTER 440
- 3: MICROMASTER 411
- 4: MICROMASTER 410
- 5: MICROMASTER 436
- 6: MICROMASTER 440 PX
- 7: MICROMASTER 430
- 100: SINAMICS S
- 101: SINAMICS S (value)
- 102: SINAMICS S (combi)
- 103: SINAMICS S120M (distributed)
- 112: PM220 (SINAMICS G120)
- 113: PM230 (SINAMICS G120)
- 114: PM240 (SINAMICS G120)
- 115: PM250 (SINAMICS G120 / S120)
- 116: PM260 (SINAMICS G120)
- 118: SINAMICS G120 Px
- 120: PM340 (SINAMICS S120)
- 126: SINAMICS ET200PRO
- 130: PM250D (SINAMICS G120D)
- 133: SINAMICS G120C
- 135: SINAMICS PMV40
- 136: SINAMICS PMV60
- 137: SINAMICS PMV80
- 138: SINAMICS G110M
- 150: SINAMICS G

2 Parameters

2.2 List of parameters

151:	PM330 (SINAMICS G120)
200:	SINAMICS GM
250:	SINAMICS SM
260:	SINAMICS MC
300:	SINAMICS GL
350:	SINAMICS SL
400:	SINAMICS DCM

Note: For parallel circuit configurations, the parameter index is assigned to a power unit.

r0204[0...n]	Power unit hardware properties / PU HW property		
Access level: 3	Calculated: -	Data type: Unsigned32	
Can be changed: -	Scaling: -	Dyn. index: PDS	
Units group: -	Unit selection: -	Func. diagram: -	
Min	Max	Factory setting	
-	-	-	

Description: Displays the properties supported by the power unit hardware.

Bit field:	Bit	Signal name	1 signal	0 signal	FP
	01	RFI filter available	Yes	No	-
	07	F3E regenerative feedback into the line supply	Yes	No	-
	08	Internal Braking Module	Yes	No	-
	12	Safe Brake Control (SBC) supported	No	Yes	-
	13	Safety Integrated supported	Yes	No	-
	14	Internal LC output filter	Yes	No	-
	15	Line voltage	1-phase	3-phase	-

p0205	Power unit application / PU application		
Access level: 1	Calculated: -	Data type: Integer16	
Can be changed: C(1, 2)	Scaling: -	Dyn. index: -	
Units group: -	Unit selection: -	Func. diagram: -	
Min	Max	Factory setting	
0	1	0	

Description: The duty cycles can be overloaded provided that the drive converter is operated with its base load current before and after the overload. This is based on a load duty cycle of 300 s.

Value:
 0: Load duty cycle with high overload for vector drives
 1: Load duty cycle with low overload for vector drives

Dependency: Refer to: r3996

Notice: The parameter value is not reset when the factory setting is restored (see p0010 = 30, p0970).
 When the power unit use is changed, short-term communication interruptions may occur.

Note: When the parameter is changed, all of the motor parameters (p0305 ... p0311), the technological application (p0500) and the control mode (p1300) are pre-assigned according to the selected application. The parameter has no influence when calculating the thermal overload.
 p0205 can only be changed to the settings that are saved in the power unit EEPROM.

r0206[0...4]	Rated power unit power / PU P_{rated}		
Access level: 2	Calculated: -	Data type: FloatingPoint32	
Can be changed: -	Scaling: -	Dyn. index: -	
Units group: 14_6	Unit selection: p0100	Func. diagram: -	
Min	Max	Factory setting	
- [kW]	- [kW]	- [kW]	

Description: Displays the rated power unit power for various load duty cycles.

Index:
 [0] = Rated value
 [1] = Load duty cycle with low overload
 [2] = Load duty cycle with high overload
 [3] = S1 cont duty cyc
 [4] = S6 load duty cycle

Dependency: IECdrives (p0100 = 0): Units kW
 NEMA drives (p0100 = 1): Units hp
 Refer to: p0100, p0205

r0207[0...4]	Rated power unit current / PU PI_rated		
	Access level: 3	Calculated: -	Data type: FloatingPoint32
	Can be changed: -	Scaling: -	Dyn. index: -
	Units group: -	Unit selection: -	Func. diagram: 8014
	Min	Max	Factory setting
	- [Arms]	- [Arms]	- [Arms]

Description: Displays the rated power unit power for various load duty cycles.

Index:
 [0] = Rated value
 [1] = Load duty cycle with low overload
 [2] = Load duty cycle with high overload
 [3] = Reserved
 [4] = Reserved

Dependency: Refer to: p0205

r0208	Rated power unit line supply voltage / PU U_rated		
	Access level: 2	Calculated: -	Data type: FloatingPoint32
	Can be changed: -	Scaling: -	Dyn. index: -
	Units group: -	Unit selection: -	Func. diagram: -
	Min	Max	Factory setting
	- [Vrms]	- [Vrms]	- [Vrms]

Description: Displays the rated line supply voltage of the power unit.

r0208 = 400 : 380 - 480 V +/-10 %

r0208 = 500 : 500 - 600 V +/-10 %

r0208 = 690 : 660 - 690 V +/-10 %

r0209[0...4]	Power unit maximum current / PU I_max		
	Access level: 3	Calculated: -	Data type: FloatingPoint32
	Can be changed: -	Scaling: -	Dyn. index: -
	Units group: -	Unit selection: -	Func. diagram: 8750, 8850, 8950
	Min	Max	Factory setting
	- [Arms]	- [Arms]	- [Arms]

Description: Displays the maximum output current of the power unit.

Index:
 [0] = Catalog
 [1] = Load duty cycle with low overload
 [2] = Load duty cycle with high overload
 [3] = Reserved
 [4] = Reserved

Dependency: Refer to: p0205

p0210	Drive unit line supply voltage / V_connect		
	Access level: 3	Calculated: -	Data type: Unsigned16
	Can be changed: C(2), T	Scaling: -	Dyn. index: -
	Units group: -	Unit selection: -	Func. diagram: -
	Min	Max	Factory setting
	1 [V]	63000 [V]	400 [V]

Description: Sets the drive unit supply voltage (rms value of the phase-to-phase line supply voltage).

Dependency: Set p1254, p1294 (automatic detection of the Vdc switch-on levels) = 0.

The switch-in thresholds of the Vdc_max controller (r1242, r1282) are then directly determined using p0210.

Notice: If, in the switched-off state (pulse inhibit), the supply voltage is higher than the entered value, the Vdc controller may be automatically de-activated in some cases to prevent the motor from accelerating the next time the system is switched on. In this case, an appropriate alarm A07401 is output.

2 Parameters

2.2 List of parameters

Note: Setting ranges for p0210 as a function of the rated power unit voltage:

U_{rated} = 230 V:
- p0210 = 200 ... 240 V
U_{rated} = 400 V:
- p0210 = 380 ... 480 V
U_{rated} = 690 V:
- p0210 = 660 ... 690 V

p0219

Braking resistor braking power / R_{brake} P_{brake}

PM240

Access level: 3

Calculated: -

Data type: FloatingPoint32

Can be changed: C(1, 2), T

Scaling: -

Dyn. index: -

Units group: 14_6

Unit selection: p0100

Func. diagram: -

Min

Max

Factory setting

0.00 [kW]

20000.00 [kW]

0.00 [kW]

Description:

Sets the braking power of the connected braking resistor.

Dependency:

Refer to: p1127, p1240, p1280, p1531

Note:

When setting a value for the braking power, the following calculations are made:

- p1240, p1280: V_{dc_max} control is deactivated.
- p1531 = - p0219: the power limit when generating is set (limited to - p1530).
- The minimum ramp-down time is calculated (p1127) as a function of p0341, p0342 and p1082 (not for vector control with speed encoder).
If the parameter is reset again to zero, then the V_{dc_max} controller is reactivated and the power limit as well as the ramp-down time are recalculated.

p0230

Drive filter type motor side / Drv filt type mot

Access level: 1

Calculated: -

Data type: Integer16

Can be changed: C(1, 2)

Scaling: -

Dyn. index: -

Units group: -

Unit selection: -

Func. diagram: -

Min

Max

Factory setting

0

4

0

Description:

Sets the type of the filter at the motor side.

Value:

0: No filter
1: Motor reactor
2: dv/dt filter
3: Sine-wave filter Siemens
4: Sine-wave filter third-party

Dependency:

The following parameters are influenced using p0230:

p0230 = 1:

-> p0233 (power unit, motor reactor) = filter inductance

p0230 = 3:

-> p0233 (power unit, motor reactor) = filter inductance

-> p0234 (power unit sine-wave filter capacitance) = filter capacitance

-> p0290 (power unit overload response) = inhibit pulse frequency reduction

-> p1082 (maximum speed) = F_{max filter} / pole pair number

-> p1800 (pulse frequency) >= nominal pulse frequency of the filter

-> p1802 (modulator modes) = space vector modulation without overcontrol

p0230 = 4:

-> p0290 (power unit overload response) = inhibit pulse frequency reduction

-> p1802 (modulator modes) = space vector modulation without overcontrol

The user must set the following parameters according to the data sheet of the sine-wave filter and also the user must check whether they are permitted.

-> p0233 (power unit, motor reactor) = filter inductance

-> p0234 (power unit sine-wave filter capacitance) = filter capacitance

-> p1082 (maximum speed) = F_{max filter} / pole pair number

-> p1800 (pulse frequency) >= nominal pulse frequency of the filter

Refer to: p0233, p0234, p0290, p1082, p1800, p1802

Note: The parameter cannot be changed if the power unit (e.g. PM260) is equipped with an internal sine-wave filter. For sine-wave filters, the test pulse evaluation to detect short-circuits is always deactivated. If a filter type cannot be selected, then this filter type is not permitted for the Motor Module.

p0230 = 1:
Power units with output reactor are limited to output frequencies of 150 Hz.

p0230 = 3:
Power units with sine-wave filter are limited to output frequencies of 200 Hz.

r0231[0...1]	Power cable length maximum / Cable length max		
	Access level: 3	Calculated: -	Data type: Unsigned16
	Can be changed: -	Scaling: -	Dyn. index: -
	Units group: -	Unit selection: -	Func. diagram: -
	Min	Max	Factory setting
	- [m]	- [m]	- [m]
Description:	Displays the maximum permissible cable lengths between the drive unit and motor.		
Index:	[0] = Unshielded [1] = Shielded		
Note:	The display value is used to provide information for service and maintenance.		

p0233	Power unit motor reactor / PU mot reactor		
	Access level: 2	Calculated: -	Data type: FloatingPoint32
	Can be changed: C(2), U, T	Scaling: -	Dyn. index: -
	Units group: -	Unit selection: -	Func. diagram: -
	Min	Max	Factory setting
	0.000 [mH]	1000.000 [mH]	0.000 [mH]
Description:	Enter the inductance of a filter connected at the power unit output.		
Dependency:	This parameter is automatically pre-set when you select a filter via p0230 if a SIEMENS filter is defined for the power unit.		
	Refer to: p0230		
Note:	When exiting the quick commissioning using p3900 = 1, the parameter value is set to the value of the defined SIEMENS filter or to zero. For this reason, the parameter value of a third-party filter only has to be entered outside the commissioning phase (p0010 = 0) and then the controller calculation (p0340 = 3) is carried out.		
	The parameter cannot be changed if the power unit has an internal sine-wave filter.		

p0234	Power unit sine-wave filter capacitance / PU sine filter C		
	Access level: 2	Calculated: -	Data type: FloatingPoint32
	Can be changed: C(2), U, T	Scaling: -	Dyn. index: -
	Units group: -	Unit selection: -	Func. diagram: -
	Min	Max	Factory setting
	0.000 [µF]	1000.000 [µF]	0.000 [µF]
Description:	Enters the capacitance of a sine-wave filter connected at the power unit output.		
Dependency:	This parameter is automatically pre-set when you select a filter via p0230 if a SIEMENS filter is defined for the power unit.		
	Refer to: p0230		
Note:	The parameter value includes the sum of all of the capacitances of a phase connected in series (phase - ground).		
	When exiting the quick commissioning using p3900 = 1, the parameter value is set to the value of the defined SIEMENS filter or to zero. For this reason, the parameter value of a third-party filter only has to be entered outside the commissioning phase (p0010 = 0).		
	The parameter cannot be changed if the power unit has an internal sine-wave filter.		

r0238	Internal power unit resistance / PU R internal		
	Access level: 3	Calculated: -	Data type: FloatingPoint32
	Can be changed: -	Scaling: -	Dyn. index: -
	Units group: -	Unit selection: -	Func. diagram: -
	Min	Max	Factory setting
	- [ohm]	- [ohm]	- [ohm]
Description:	Displays the internal resistance of the power unit (IGBT and line resistance).		
p0287[0...1]	Ground fault monitoring thresholds / Gnd flt threshold		
	Access level: 3	Calculated: -	Data type: FloatingPoint32
	Can be changed: T	Scaling: -	Dyn. index: -
	Units group: -	Unit selection: -	Func. diagram: -
	Min	Max	Factory setting
	0.0 [%]	100.0 [%]	[0] 6.0 [%] [1] 16.0 [%]
Description:	Sets the shutdown thresholds for the ground fault monitoring. The setting is made as a percentage of the maximum current of the power unit (r0209).		
Index:	[0] = Threshold at which pre-charging starts [1] = Threshold at which pre-charging stops		
Dependency:	Refer to: p1901		
Note:	This parameter is only relevant for chassis power units.		
r0289	CO: Maximum power unit output current / PU I_outp max		
	Access level: 3	Calculated: -	Data type: FloatingPoint32
	Can be changed: -	Scaling: p2002	Dyn. index: -
	Units group: -	Unit selection: -	Func. diagram: -
	Min	Max	Factory setting
	- [Arms]	- [Arms]	- [Arms]
Description:	Displays the actual maximum output current of the power unit taking into account derating factors.		
p0290	Power unit overload response / PU overld response		
	Access level: 3	Calculated: -	Data type: Integer16
	Can be changed: T	Scaling: -	Dyn. index: -
	Units group: -	Unit selection: -	Func. diagram: 8014
	Min	Max	Factory setting
	0	13	2
Description:	Sets the response to a thermal overload condition of the power unit. The following quantities can result in a response to thermal overload: - heat sink temperature (r0037.0). - chip temperature (r0037.1). - power unit overload I2t (r0036). Possible measures to avoid thermal overload: - reduce the output current limit r0289 and r0067 (for closed-loop speed or torque control) or the output frequency (for U/f control) indirectly via the output current limit and the intervention of the current limiting controller). - reduce the pulse frequency. A reduction, if parameterized, is always realized after an appropriate alarm is output.		
Value:	0: Reduce output current or output frequency 1: No reduction shutdown when overload threshold is reached 2: Reduce I_output or f_output and f_pulse (not using I2t) 3: Reduce the pulse frequency (not using I2t) 12: I_output or f_output and automatic pulse frequency reduction 13: Automatic pulse frequency reduction		

Dependency:	If a sine-wave filter is parameterized as output filter (p0230 = 3, 4), then only responses can be selected without pulse frequency reduction (p0290 = 0, 1). For a thermal power unit overload, an appropriate alarm or fault is output, and r2135.15 or r2135.13 set. Refer to: r0036, r0037, p0230, r2135
Notice:	If the thermal overload of the power unit is not sufficiently reduced by the actions taken, the drive is always shut down. This means that the power unit is always protected irrespective of the setting of this parameter.
Note:	The setting p0290 = 0, 2 is only practical if the load decreases with decreasing speed (e.g. for applications with variable torque such as for pumps and fans). Under overload conditions, the current and torque limit are reduced, and therefore the motor is braked and forbidden speed ranges (e.g. minimum speed p1080 and suppression [skip] speeds p1091 ... p1094) can be passed through. For p0290 = 2, 3, 12, 13, the I2t overload detection of the power unit does not influence the response "Reduce pulse frequency". When the motor data identification routine is selected, p0290 cannot be changed. For short-circuit/ground fault detection, when the test pulse evaluation is active via p1901 "Test pulse evaluation configuration", the pulse frequency at the instant of switch on is briefly reduced.

p0292[0...1]	Power unit temperature alarm threshold / PU T_alm thresh
Access level: 3	Calculated: -
Can be changed: U, T	Scaling: -
Units group: -	Unit selection: -
Min	Max
0 [°C]	25 [°C]
	Data type: FloatingPoint32
	Dyn. index: -
	Func. diagram: -
	Factory setting
	[0] 5 [°C]
	[1] 15 [°C]
Description:	Sets the alarm threshold for power unit overtemperatures. The value is set as a difference to the tripping (shutdown) temperature. Drive: If this threshold is exceeded, an overload alarm is generated and the system responds as parameterized in p0290. Infeed: When the threshold value is exceeded, only an overload alarm is output.
Index:	[0] = Heat sink temperature [1] = Power semiconductor (chip) temperature
Dependency:	Refer to: r0037, p0290

p0294	Power unit alarm with I2t overload / PU I2t alm thresh
Access level: 4	Calculated: -
Can be changed: U, T	Scaling: -
Units group: -	Unit selection: -
Min	Max
10.0 [%]	100.0 [%]
	Data type: FloatingPoint32
	Dyn. index: -
	Func. diagram: 8014
	Factory setting
	95.0 [%]
Description:	Sets the alarm threshold for the I2t power unit overload. If this threshold is exceeded, an overload alarm is generated and the system responds as parameterized in p0290.
Dependency:	Refer to: r0036, p0290
Note:	The I2t fault threshold is 100 %. If this value is exceeded, fault F30005 is output.

p0295	Fan run-on time / Fan run-on time
Access level: 3	Calculated: -
Can be changed: U, T	Scaling: -
Units group: -	Unit selection: -
Min	Max
0 [s]	600 [s]
	Data type: FloatingPoint32
	Dyn. index: -
	Func. diagram: -
	Factory setting
	0 [s]
Description:	Sets the fan run-on time after the pulses for the power unit have been canceled.
Note:	- Under certain circumstances, the fan can continue to run for longer than was set (e.g. as a result of the excessively high heat sink temperature). - For values less than 1 s, a 1 s run on time for the fan is active.

r0296	DC link voltage undervoltage threshold / Vdc U_lower_thresh		
	Access level: 3	Calculated: -	Data type: Unsigned16
	Can be changed: -	Scaling: -	Dyn. index: -
	Units group: -	Unit selection: -	Func. diagram: -
	Min	Max	Factory setting
	- [V]	- [V]	- [V]
Description:	Threshold to detect a DC link undervoltage. If the DC link voltage falls below this threshold, the drive unit is tripped due to a DC link undervoltage condition.		

r0297	DC link voltage overvoltage threshold / Vdc U_upper_thresh		
	Access level: 3	Calculated: -	Data type: Unsigned16
	Can be changed: -	Scaling: -	Dyn. index: -
	Units group: -	Unit selection: -	Func. diagram: 8750, 8760, 8850, 8864, 8950, 8964
	Min	Max	Factory setting
	- [V]	- [V]	- [V]
Description:	Threshold to detect a DC link overvoltage. If the DC link voltage exceeds the threshold specified here, the drive unit is tripped due to DC link overvoltage.		

p0300[0...n]	Motor type selection / Mot type sel		
	Access level: 2	Calculated: -	Data type: Integer16
	Can be changed: C(1, 3)	Scaling: -	Dyn. index: MDS
	Units group: -	Unit selection: -	Func. diagram: 6310
	Min	Max	Factory setting
	0	10001	0
Description:	Selects the motor type or starts to read in the motor parameters for a motor with DRIVE-CLiQ (p0300 = 10000 or 10001, if there is a second data set). For p0300 < 10000 the following applies: The first digit of the parameter value always defines the general motor type and corresponds to the third-party motor belonging to a motor list: 1 = Rotating induction motor 2 = Rotating synchronous motor The type information must be entered to filter motor-specific parameters and to optimize the operating characteristics and behavior. For example, for synchronous motors, power factor (p0308) is neither used nor displayed (in the BOP/AOP).		
Value:	0: No motor 1: Induction motor 2: Synchronous motor 10: 1LE1 induction motor 13: 1LG6 induction motor 17: 1LA7 induction motor 19: 1LA9 induction motor 100: 1LE1 induction motor 104: 1PH4 induction motor 107: 1PH7 induction motor 108: 1PH8 induction motor 277: 1FK7 synchronous motor without encoder 10000: Motor with DRIVE-CLiQ 10001: Motor with DRIVE-CLiQ 2nd data set		
Dependency:	When selecting a motor type from the 1LA7 series, parameters p0335, p0626, p0627, and p0628 of the thermal motor model are pre-assigned as a function of p0307 and p0311.		
Caution:	If a motor is selected, which is not contained in the motor lists (p0300 < 100), then the motor code number must be reset (p0301 = 0), if previously a motor was parameterized from the motor list.		



Notice: If a catalog motor is selected (p0300 >= 100) and an associated motor code number (p0301), then the parameters that are associated with this list cannot be changed (write protection). The write protection is canceled if the motor type p0300 is set to a non-Siemens motor that matches p0301 (e.g. p0300 = 1 for p0301 = 1xxxx). Write protection is automatically canceled when the results of motor data identification are copied to the motor parameters.

The motor type of a catalog motor corresponds to the upper three digits of the code number or the following assignment (if the particular motor type is listed):

Type/code number ranges

100 / 100xx, 110xx, 120xx, 130xx, 140xx, 150xx

104 / 104xx, 114xx, 124xx

108 / 108xx, 118xx, 128xx, 138xx, 148xx, 158xx

237 / 237xx, 247xx, 257xx

Note: Motor without DRIVE-CLiQ: Once the Control Unit has been powered up for the first time or if the factory settings have been defined accordingly, the motor type is pre-configured as induction motor (p0300 = 1).

With p0300 = 10000, for a motor with DRIVE-CLiQ, the motor parameters are automatically downloaded, with p0300 = 10001, the motor parameters of a second data set (if available).

If a motor type has not been selected (p0300 = 0), then the drive commissioning routine cannot be exited.

A motor type with a value above p0300 >= 100 describes motors for which a motor parameter list exists.

Motor types with a value below p0300 < 100 correspond to the selection of a third-party motor. When appropriately selected, this means that the motor parameters are pre-assigned the settings for a third-party motor.

This also applies for parameters for a motor with DRIVE-CLiQ. In this case p0300 can only be set to p0300 = 10000 or 10001 (read motor parameters) or to the corresponding non-Siemens motor (first digit of the motor code number) in order to be able to cancel the write protection.

p0301[0...n]

Motor code number selection / Mot code No. sel

Access level: 2	Calculated: -	Data type: Unsigned16
Can be changed: C(1, 3)	Scaling: -	Dyn. index: MDS
Units group: -	Unit selection: -	Func. diagram: -
Min	Max	Factory setting
0	65535	0

Description: The parameter is used to select a motor from a motor parameter list.

When changing the code number (with the exception to the value 0), all of the motor parameters are pre-assigned from the internally available parameter lists.

Dependency: Code numbers can only be selected for motor types that correspond to the motor type selected in p0300.

Refer to: p0300

Note: The motor code number can only be changed if the matching catalog motor was first selected in p0300.

When selecting a catalog motor (p0300 >= 100), drive commissioning can only be exited if a code number is selected.

If a change is made to a non-catalog motor, then the motor code number should be reset (p0301 = 0).

r0302[0...n]

Motor code number of motor with DRIVE-CLiQ / Mot code mot w/ DQ

Access level: 2	Calculated: -	Data type: Unsigned16
Can be changed: -	Scaling: -	Dyn. index: MDS
Units group: -	Unit selection: -	Func. diagram: -
Min	Max	Factory setting
-	-	-

Description: Displays the motor code number from the saved motor data from a motor with DRIVE-CLiQ.

Note: Drive commissioning can only be exited if the code number that was downloaded (r0302) matches the stored code number (p0301). If the numbers differ, then the motor data set should be re-loaded using p0300 = 10000.


The motor data are always expected from the first encoder that is assigned to the drive data sets (refer to p0187 = encoder 1) data set number.

The value is not updated cyclically but only on specific events (e.g. update DRIVE-CLiQ device).

r0302 = 0: No motor with DRIVE-CLiQ found

p0304[0...n]	Rated motor voltage / Mot U_{rated}		
	Access level: 1	Calculated: -	Data type: FloatingPoint32
	Can be changed: C(1, 3)	Scaling: -	Dyn. index: MDS
	Units group: -	Unit selection: -	Func. diagram: 6301, 6724
	Min 0 [Vrms]	Max 20000 [Vrms]	Factory setting 0 [Vrms]
Description:	Sets the rated motor voltage (rating plate).		
Notice:	When selecting a catalog motor (p0301), this parameter is automatically pre-assigned and is write protected. Information in p0300 should be carefully observed when removing write protection.		
Note:	When the parameter value is entered the connection type of the motor (star-delta) must be taken into account. Once the Control Unit has booted for the first time or if the factory settings have been restored, the parameter is pre-assigned to match the power unit.		

p0305[0...n]	Rated motor current / Mot I_{rated}		
	Access level: 1	Calculated: -	Data type: FloatingPoint32
	Can be changed: C(1, 3)	Scaling: -	Dyn. index: MDS
	Units group: -	Unit selection: -	Func. diagram: 6301
	Min 0.00 [Arms]	Max 10000.00 [Arms]	Factory setting 0.00 [Arms]
Description:	Sets the rated motor current (rating plate).		
Notice:	When selecting a catalog motor (p0301), this parameter is automatically pre-assigned and is write protected. Information in p0300 should be carefully observed when removing write protection. If p0305 is changed during quick commissioning (p0010 = 1), then the maximum current p0640 is pre-assigned accordingly.		
Note:	When the parameter value is entered the connection type of the motor (star-delta) must be taken into account. Once the Control Unit has booted for the first time or if the factory settings have been restored, the parameter is pre-assigned to match the power unit.		

p0306[0...n]	Number of motors connected in parallel / Motor qty		
	Access level: 1	Calculated: -	Data type: Unsigned8
	Can be changed: C(1, 3)	Scaling: -	Dyn. index: MDS
	Units group: -	Unit selection: -	Func. diagram: -
	Min 1	Max 50	Factory setting 1
Description:	Sets the number (count) of motors that can be operated in parallel using one motor data set. Depending on the motor number entered, internally an equivalent motor is calculated. The following should be observed in motors connected in parallel: Rating plate data should only be entered for one motor: p0305, p0307 The following parameters are also only valid for one motor: p0320, p0341, p0344, p0350 ... p0361 All other motor parameters take into account the replacement/equivalent motor (e.g. r0331, r0333).		
Recommend.:	For motors connected in parallel, external thermal protection should be provided for each individual motor.		
Dependency:	Refer to: r0331, r0370, r0373, r0374, r0376, r0377, r0382		
Caution:	The motors to be connected in parallel must be of the same type and size (same order no. (MLFB)). The mounting regulations when connecting motors in parallel must be carefully maintained! The number of motors set must correspond to the number of motors that are actually connected in parallel. After changing p0306, it is imperative that the control parameters are adapted (e.g. using automatic calculation with p0340 = 1, p3900 > 0). For induction motors that are connected in parallel, but which are not mechanically coupled with one another, then the following applies: - an individual motor must not be loaded beyond its stall point.		
			
Notice:	If p0306 is changed during quick commissioning (p0010 = 1), then the maximum current p0640 is appropriately pre-assigned.		
Note:	Only operation with U/f characteristic makes sense if more than 10 identical motors are connected in parallel.		

p0307[0...n]	Rated motor power / Mot P_{rated}		
	Access level: 1	Calculated: -	Data type: FloatingPoint32
	Can be changed: C(1, 3)	Scaling: -	Dyn. index: MDS
	Units group: 14_6	Unit selection: p0100	Func. diagram: -
	Min	Max	Factory setting
	0.00 [kW]	100000.00 [kW]	0.00 [kW]
Description:	Sets the rated motor power (rating plate).		
Dependency:	IECdrives (p0100 = 0): Units kW NEMA drives (p0100 = 1): Units hp NEMA drives (p0100 = 2): Unit kW Refer to: p0100		
Notice:	When selecting a catalog motor (p0301), this parameter is automatically pre-assigned and is write protected. Information in p0300 should be carefully observed when removing write protection.		
Note:	Once the Control Unit has booted for the first time or if the factory settings have been restored, the parameter is pre-assigned to match the power unit.		
p0308[0...n]	Rated motor power factor / Mot cos phi rated		
	Access level: 1	Calculated: -	Data type: FloatingPoint32
	Can be changed: C(1, 3)	Scaling: -	Dyn. index: MDS
	Units group: -	Unit selection: -	Func. diagram: -
	Min	Max	Factory setting
	0.000	1.000	0.000
Description:	Sets the rated motor power factor (cos phi, rating plate). For a parameter value of 0.000, the power factor is internally calculated and displayed in r0332.		
Dependency:	This parameter is only available for p0100 = 0, 2. Refer to: p0100, p0309, r0332		
Notice:	When selecting a catalog motor (p0301), this parameter is automatically pre-assigned and is write protected. Information in p0300 should be carefully observed when removing write protection.		
Note:	The parameter is not used for synchronous motors (p0300 = 2xx). Once the Control Unit has booted for the first time or if the factory settings have been restored, the parameter is pre-assigned to match the power unit.		
p0309[0...n]	Rated motor efficiency / Mot eta_{rated}		
	Access level: 1	Calculated: -	Data type: FloatingPoint32
	Can be changed: C(1, 3)	Scaling: -	Dyn. index: MDS
	Units group: -	Unit selection: -	Func. diagram: -
	Min	Max	Factory setting
	0.0 [%]	99.9 [%]	0.0 [%]
Description:	Sets the rated motor efficiency (rating plate). For a parameter value of 0.0, the power factor is internally calculated and displayed in r0332.		
Dependency:	This parameter is only visible for NEMA motors (p0100 = 1, 2). Refer to: p0100, p0308, r0332		
Note:	The parameter is not used for synchronous motors.		
p0310[0...n]	Rated motor frequency / Mot f_{rated}		
	Access level: 1	Calculated: -	Data type: FloatingPoint32
	Can be changed: C(1, 3)	Scaling: -	Dyn. index: MDS
	Units group: -	Unit selection: -	Func. diagram: 6301
	Min	Max	Factory setting
	0.00 [Hz]	650.00 [Hz]	0.00 [Hz]
Description:	Sets the rated motor frequency (rating plate).		
Dependency:	The number of pole pairs (r0313) is automatically re-calculated when the parameter is changed (together with p0311), if p0314 = 0.		

2 Parameters

2.2 List of parameters

The rated frequency is restricted to values between 1.00 Hz and 650.00 Hz.

Refer to: p0311, r0313, p0314

- Notice:** When selecting a catalog motor (p0301), this parameter is automatically pre-assigned and is write protected. Information in p0300 should be carefully observed when removing write protection.
If p0310 is changed during quick commissioning (p0010 = 1), the maximum speed p1082, which is also associated with quick commissioning, is pre-assigned accordingly. This is not the case when commissioning the motor (p0010 = 3).
- Note:** Once the Control Unit has been booted up for the first time or if the factory settings have been defined accordingly, the parameter is defined in accordance with the power unit.

p0311[0...n]	Rated motor speed / Mot n_{rated}		
	Access level: 1	Calculated: -	Data type: FloatingPoint32
	Can be changed: C(1, 3)	Scaling: -	Dyn. index: MDS
	Units group: -	Unit selection: -	Func. diagram: -
	Min	Max	Factory setting
	0.0 [rpm]	210000.0 [rpm]	0.0 [rpm]
Description:	Sets the rated motor speed (rating plate). For p0311 = 0, the rated motor slip of induction motors is internally calculated and displayed in r0330. It is especially important to correctly enter the rated motor speed for vector control and slip compensation for U/f control.		
Dependency:	If p0311 is changed and for p0314 = 0, the pole pair (r0313) is re-calculated automatically. Refer to: p0310, r0313, p0314		
Notice:	When selecting a catalog motor (p0301), this parameter is automatically pre-assigned and is write protected. Information in p0300 should be carefully observed when removing write protection. If p0311 is changed during quick commissioning (p0010 = 1), the maximum speed p1082, which is also associated with quick commissioning, is pre-assigned accordingly. This is not the case when commissioning the motor (p0010 = 3).		
Note:	Once the Control Unit has been booted up for the first time or if the factory settings have been defined accordingly, the parameter is defined in accordance with the power unit.		

p0312[0...n]	Rated motor torque / Mot M_{rated}		
	Access level: 3	Calculated: -	Data type: FloatingPoint32
	Can be changed: C(3)	Scaling: -	Dyn. index: MDS
	Units group: -	Unit selection: -	Func. diagram: -
	Min	Max	Factory setting
	0.00 [Nm]	1000000.00 [Nm]	0.00 [Nm]
Description:	Sets the rated motor torque (rating plate).		
Notice:	When selecting a catalog motor (p0301), this parameter is automatically pre-assigned and is write protected. Information in p0300 should be carefully observed when removing write protection.		

r0313[0...n]	Motor pole pair number, actual (or calculated) / Mot PolePairNo act		
	Access level: 3	Calculated: -	Data type: Unsigned16
	Can be changed: -	Scaling: -	Dyn. index: MDS
	Units group: -	Unit selection: -	Func. diagram: 5300
	Min	Max	Factory setting
	-	-	-
Description:	Displays the number of motor pole pairs. The value is used for internal calculations. r0313 = 1: 2-pole motor r0313 = 2: 4-pole motor, etc.		
Dependency:	For p0314 > 0, the entered value is displayed in r0313. For p0314 = 0, the pole pair number (r0313) is automatically calculated from the rated power (p0307), rated frequency (p0310) and rated speed (p0311). Refer to: p0307, p0310, p0311, p0314		
Note:	For the automatic calculation, the pole pair number is set to the value of 2 if the rated speed or the rated frequency is zero.		

p0314[0...n]	Motor pole pair number / Mot pole pair No.		
	Access level: 3	Calculated: -	Data type: Unsigned16
	Can be changed: C(1, 3)	Scaling: -	Dyn. index: MDS
	Units group: -	Unit selection: -	Func. diagram: -
	Min	Max	Factory setting
	0	255	0
Description:	Sets the motor pole pair number. p0314 = 1: 2-pole motor p0314 = 2: 4-pole motor, etc.		
Dependency:	For p0314 = 0, the pole pair number is automatically calculated from the rated frequency (p0310) and the rated speed (p0311) and displayed in r0313.		
Notice:	If p0314 is changed during quick commissioning (p0010 = 1), the maximum speed p1082, which is also associated with quick commissioning, is pre-assigned accordingly. For induction motors, the value need only be input if the rated data of a generator is entered therefore resulting in a negative rated slip. In this case, the number of pole pairs in r0313 is too low by 1 and must be manually corrected.		
p0316[0...n]	Motor torque constant / Mot kT		
	Access level: 3	Calculated: -	Data type: FloatingPoint32
	Can be changed: C(1, 3), U, T	Scaling: -	Dyn. index: MDS
	Units group: 28_1	Unit selection: p0100	Func. diagram: -
	Min	Max	Factory setting
	0.00 [Nm/A]	400.00 [Nm/A]	0.00 [Nm/A]
Description:	Sets the torque constant of the synchronous motor. p0316 = 0: The torque constant is calculated from the motor data. p0316 > 0: The selected value is used as torque constant.		
Dependency:	Refer to: r0334		
Notice:	When selecting a catalog motor (p0301), this parameter is automatically pre-assigned and is write protected. Information in p0300 should be carefully observed when removing write protection.		
Note:	This parameter is not used for induction motors (p0300 = 1xx).		
p0318[0...n]	Motor stall current / Mot I_standstill		
	Access level: 4	Calculated: -	Data type: FloatingPoint32
	Can be changed: C(3)	Scaling: -	Dyn. index: MDS
	Units group: -	Unit selection: -	Func. diagram: 8017
	Min	Max	Factory setting
	0.00 [Arms]	10000.00 [Arms]	0.00 [Arms]
Description:	Sets the stall current for synchronous motors (p0300 = 2xx).		
Notice:	When selecting a catalog motor (p0301), this parameter is automatically pre-assigned and is write protected. Information in p0300 should be carefully observed when removing write protection.		
Note:	This parameter is not used for induction motors (p0300 = 1xx).		
p0320[0...n]	Motor rated magnetizing current/short-circuit current / Mot I_mag_rated		
	Access level: 3	Calculated: -	Data type: FloatingPoint32
	Can be changed: C(3), U, T	Scaling: -	Dyn. index: MDS
	Units group: -	Unit selection: -	Func. diagram: -
	Min	Max	Factory setting
	0.000 [Arms]	5000.000 [Arms]	0.000 [Arms]
Description:	Induction motors: Sets the rated motor magnetizing current. For p0320 = 0.000 the magnetizing current is internally calculated and displayed in r0331.		

2 Parameters

2.2 List of parameters

Synchronous motors:

Sets the rated motor short-circuit current.

Notice: When selecting a catalog motor (p0301), this parameter is automatically pre-assigned and is write protected. Information in p0300 should be carefully observed when removing write protection.

Note: The magnetizing current p0320 for induction motors is reset when quick commissioning is exited with p3900 > 0. If, for induction motors, the magnetizing current p0320 is changed outside the commissioning phase (p0010 > 0), then the magnetizing inductance p0360 is changed so that the EMF r0337 remains constant.

p0322[0...n]	Maximum motor speed / Mot n_max		
Access level: 1	Calculated: -	Data type: FloatingPoint32	
Can be changed: C(1, 3)	Scaling: -	Dyn. index: MDS	
Units group: -	Unit selection: -	Func. diagram: -	
Min	Max	Factory setting	
0.0 [rpm]	210000.0 [rpm]	0.0 [rpm]	
Description:	Sets the maximum motor speed.		
Dependency:	Refer to: p1082		
Notice:	When selecting a catalog motor (p0301), this parameter is automatically pre-assigned and is write protected. Information in p0300 should be carefully observed when removing write protection. If p0322 is changed during quick commissioning (p0010 = 1), the maximum speed p1082, which is also associated with quick commissioning, is pre-assigned accordingly.		
Note:	The parameter has no significance for a value of p0322 = 0.		
<hr/>			
p0323[0...n]	Maximum motor current / Mot I_max		
Access level: 1	Calculated: -	Data type: FloatingPoint32	
Can be changed: C(1, 3)	Scaling: -	Dyn. index: MDS	
Units group: -	Unit selection: -	Func. diagram: -	
Min	Max	Factory setting	
0.00 [Arms]	20000.00 [Arms]	0.00 [Arms]	
Description:	Sets the maximum permissible motor current (e.g. de-magnetizing current for synchronous motors).		
Notice:	When selecting a catalog motor (p0301), this parameter is automatically pre-assigned and is write protected. Information in p0300 should be carefully observed when removing write protection. If p0323 is changed during quick commissioning (p0010 = 1), then the maximum current p0640 is pre-assigned accordingly.		
Note:	The parameter has no effect for induction motors. The parameter has not effect for synchronous motors if a value of 0.0 is entered. The user-selectable current limit is entered into p0640.		
<hr/>			
p0325[0...n]	Motor pole position identification current 1st phase / Mot PolID I 1st ph		
Access level: 3	Calculated: -	Data type: FloatingPoint32	
Can be changed: U, T	Scaling: -	Dyn. index: MDS	
Units group: -	Unit selection: -	Func. diagram: -	
Min	Max	Factory setting	
0.000 [Arms]	10000.000 [Arms]	0.000 [Arms]	
Description:	Sets the current for the 1st phase of the two-stage technique for pole position identification routine. The current of the 2nd phase is set in p0329. The two-stage technique is selected with p1980 = 4.		
Dependency:	Refer to: p0329, p1980, r1984, r1985, r1987		
Notice:	When the motor code (p0301) is changed, it is possible that p0325 is not pre-assigned. p0325 can be pre-assigned using p0340 = 3.		
Note:	The value is automatically pre-assigned for the following events: - For p0325 = 0 and automatic calculation of the closed-loop control parameters (p0340 = 1, 2, 3). - for quick commissioning (p3900 = 1, 2, 3).		

p0326[0...n]	Motor stall torque correction factor / Mot M_stall_corr		
	Access level: 4	Calculated: -	Data type: FloatingPoint32
	Can be changed: C(3), U, T	Scaling: -	Dyn. index: MDS
	Units group: -	Unit selection: -	Func. diagram: -
	Min	Max	Factory setting
	5 [%]	300 [%]	100 [%]
Description:	Sets the correction factor for the stall torque/force at a 600 V DC link voltage.		
Notice:	When selecting a catalog motor (p0301), this parameter is automatically pre-assigned and is write protected. Information in p0300 should be carefully observed when removing write protection.		
Note:	When quick commissioning is exited with p3900 > 0, then the parameter is reset if a catalog motor has not been selected (p0300).		
p0327[0...n]	Optimum motor load angle / Mot phi_load opt		
	Access level: 3	Calculated: -	Data type: FloatingPoint32
	Can be changed: C(3), U, T	Scaling: -	Dyn. index: MDS
	Units group: -	Unit selection: -	Func. diagram: 6721
	Min	Max	Factory setting
	0.0 [°]	135.0 [°]	90.0 [°]
Description:	Sets the optimum load angle for synchronous motors with reluctance torque. The load angle is measured at the rated motor current.		
Notice:	When selecting a catalog motor (p0301), this parameter is automatically pre-assigned and is write protected. Information in p0300 should be carefully observed when removing write protection.		
Note:	This parameter has no significance for induction motors. For synchronous motors without reluctance torque, a angle of 90 degrees must be set. When quick commissioning is exited with p3900 > 0, then the parameter is reset if a catalog motor has not been selected (p0300).		
p0328[0...n]	Motor reluctance torque constant / Mot kT_reluctance		
	Access level: 3	Calculated: -	Data type: FloatingPoint32
	Can be changed: C(3), U, T	Scaling: -	Dyn. index: MDS
	Units group: -	Unit selection: -	Func. diagram: -
	Min	Max	Factory setting
	-1000.00 [mH]	1000.00 [mH]	0.00 [mH]
Description:	Sets the reluctance torque constant for synchronous motors with reluctance torque (e.g. 1FE ... motors). This parameter has no significance for induction motors.		
Notice:	When selecting a catalog motor (p0301), this parameter is automatically pre-assigned and is write protected. Information in p0300 should be carefully observed when removing write protection.		
Note:	For synchronous motors without reluctance torque, the value 0 must be set.		
p0329[0...n]	Motor pole position identification current / Mot PolID current		
	Access level: 3	Calculated: -	Data type: FloatingPoint32
	Can be changed: C(3), U, T	Scaling: -	Dyn. index: MDS
	Units group: -	Unit selection: -	Func. diagram: -
	Min	Max	Factory setting
	0.00 [Arms]	10000.00 [Arms]	0.00 [Arms]
Description:	Sets the current for the pole position identification routine (p1980 = 1). For a two-stage technique (p1980 = 4), the current is set for the 2nd phase. The current for the 1st phase is set in p0325.		
Dependency:	If a maximum current (p0323) was not parameterized, then p0329 is limited to the rated motor current. If p0329 is too small in order to determine the pole position (for p1980 = 1), then p0323 must be first parameterized and significantly greater than p0329. Refer to: p0325, p1980, r1984, r1985, r1987		

2 Parameters

2.2 List of parameters

Notice: When selecting a catalog motor (p0301), this parameter is automatically pre-assigned and is write protected. Information in p0300 should be carefully observed when removing write protection.

r0330[0...n]	Rated motor slip / Mot slip_rated		
	Access level: 3	Calculated: -	Data type: FloatingPoint32
	Can be changed: -	Scaling: -	Dyn. index: MDS
	Units group: -	Unit selection: -	Func. diagram: -
	Min	Max	Factory setting
	- [Hz]	- [Hz]	- [Hz]
Description:	Displays the rated motor slip.		
Dependency:	The rated slip is calculated from the rated frequency, rated speed and number of pole pairs. Refer to: p0310, p0311, r0313		
Note:	The parameter is not used for synchronous motors (p0300 = 2xx).		

r0331[0...n]	Actual motor magnetizing current/short-circuit current / Mot I_mag_rtd act		
	Access level: 3	Calculated: -	Data type: FloatingPoint32
	Can be changed: -	Scaling: -	Dyn. index: MDS
	Units group: -	Unit selection: -	Func. diagram: 6722, 6724
	Min	Max	Factory setting
	- [Arms]	- [Arms]	- [Arms]
Description:	Induction motor: Displays the rated magnetizing current from p0320. For p0320 = 0, the internally calculated magnetizing current is displayed. Synchronous motor: Displays the rated short-circuit current from p0320.		
Dependency:	If p0320 was not entered, then the parameter is calculated from the rating plate parameters.		

r0332[0...n]	Rated motor power factor / Mot cos phi rated		
	Access level: 3	Calculated: -	Data type: FloatingPoint32
	Can be changed: -	Scaling: -	Dyn. index: MDS
	Units group: -	Unit selection: -	Func. diagram: -
	Min	Max	Factory setting
	-	-	-
Description:	Displays the rated power factor for induction motors. For IEC motors, the following applies (p0100 = 0): For p0308 = 0, the internally-calculated power factor is displayed. For p0308 > 0, this value is displayed. For NEMA motors, the following applies (p0100 = 1, 2): For p0309 = 0, the internally-calculated power factor is displayed. For p0309 > 0, this value is converted into the power factor and displayed.		
Dependency:	If p0308 is not entered, the parameter is calculated from the rating plate parameters.		
Note:	The parameter is not used for synchronous motors (p0300 = 2xx).		

r0333[0...n]	Rated motor torque / Mot M_rated		
	Access level: 3	Calculated: -	Data type: FloatingPoint32
	Can be changed: -	Scaling: -	Dyn. index: MDS
	Units group: 7_4	Unit selection: p0100	Func. diagram: -
	Min	Max	Factory setting
	- [Nm]	- [Nm]	- [Nm]
Description:	Displays the rated motor torque.		
Dependency:	IEC drives (p0100 = 0): unit Nm NEMA drives (p0100 = 1): unit lbf ft		

Note: For induction motors, r0333 is calculated from p0307 and p0311.
For synchronous motors, r0333 is calculated from p0305, p0316, p0327 and p0328.

r0334[0...n]	Actual motor-torque constant / Mot kT act		
	Access level: 4	Calculated: -	Data type: FloatingPoint32
	Can be changed: -	Scaling: -	Dyn. index: MDS
	Units group: 28_1	Unit selection: p0100	Func. diagram: -
	Min	Max	Factory setting
	- [Nm/A]	- [Nm/A]	- [Nm/A]
Description:	Displays the torque constant of the synchronous motor used.		
Dependency:	IEC drives (p0100 = 0): unit Nm / A NEMA drives (p0100 = 1): unit lbf ft / A		
Note:	This parameter is not used for induction motors (p0300 = 1xx). For synchronous motors, parameter r0334 is calculated from p0305, p0307 and p0311.		

p0335[0...n]	Motor cooling type / Mot cool type		
	Access level: 2	Calculated: -	Data type: Integer16
	Can be changed: C(1, 3), T	Scaling: -	Dyn. index: MDS
	Units group: -	Unit selection: -	Func. diagram: -
	Min	Max	Factory setting
	0	128	0
Description:	Sets the motor cooling system used.		
Value:	0: Non-ventilated 1: Forced cooling 2: Liquid cooling 128: No fan		
Dependency:	For 1LA7 motors (p0300), the parameter is pre-set as a function of p0307 and p0311.		
Notice:	When selecting a catalog motor (p0301), this parameter is automatically pre-assigned and is write protected. Information in p0300 should be carefully observed when removing write protection.		
Note:	The parameter influences the thermal 3-mass motor model. 1LA7 motors, frame size 56 are operated without fan.		

r0337[0...n]	Rated motor EMF / Mot EMF_{rated}		
	Access level: 4	Calculated: -	Data type: FloatingPoint32
	Can be changed: -	Scaling: -	Dyn. index: MDS
	Units group: -	Unit selection: -	Func. diagram: -
	Min	Max	Factory setting
	- [Vrms]	- [Vrms]	- [Vrms]
Description:	Displays the rated EMF of the motor.		
Note:	EMF: Electromotive force		

p0340[0...n]	Automatic calculation motor/control parameters / Calc auto par		
	Access level: 2	Calculated: -	Data type: Integer16
	Can be changed: C(3), T	Scaling: -	Dyn. index: DDS, p0180
	Units group: -	Unit selection: -	Func. diagram: -
	Min	Max	Factory setting
	0	5	0
Description:	Setting to automatically calculate motor parameters and U/f open-loop and closed-loop control parameters from the rating plate data.		
Value:	0: No calculation 1: Complete calculation 2: Calculation of equivalent circuit diagram parameters 3: Calculation of closed-loop control parameters 4: Calculation of controller parameters 5: Calculation of technological limits and threshold values		

2 Parameters


2.2 List of parameters


Notice: After the value has been modified, no further parameter modifications can be made and the status is shown in r3996. Modifications can be made again when r3996 = 0.
The following parameters are influenced using p0340:
p0340 = 1:
--> All of the parameters influenced for p0340 = 2, 3, 4, 5
--> p0341, p0342, p0344, p0612, p0640, p1082, p1231, p1232, p1333, p1349, p1611, p1654, p1726, p1825, p1828 ... p1832, p1909, p1959, p2000, p2001, p2002, p2003, p3927, p3928
p0340 = 2:
--> p0350, p0354 ... p0360
--> p0625 (matching p0350), p0626 ... p0628
p0340 = 3:
--> All of the parameters influenced for p0340 = 4, 5
--> p0346, p0347, p0622, p1320 ... p1327, p1582, p1584, p1616, p1755, p1756, p2178
p0340 = 4:
--> p1290, p1292, p1293, p1338, p1339, p1340, p1341, p1345, p1346, p1461, p1463, p1464, p1465, p1470, p1472, p1703, p1715, p1717, p1740, p1756, p1764, p1767, p1780, p1781, p1783, p1785, p1786, p1795
p0340 = 5:
--> p1037, p1038, p1520, p1521, p1530, p1531, p1574, p1802, p1803, p2140, p2142, p2148, p2150, p2157, p2159, p2161, p2162, p2163, p2164, p2170, p2175, p2177, p2179, p2194

Note: p0340 = 1 contains the calculations of p0340 = 2, 3, 4, 5.
p0340 = 2 calculates the motor parameters (p0350 ... p0360).
p0340 = 3 contains the calculations of p0340 = 4, 5.
p0340 = 4 only calculates the controller parameters.
p0340 = 5 only calculates the controller limits.
When quick commissioning is exited using p3900 > 0, p0340 is automatically set to 1.
At the end of the calculations, p0340 is automatically set to 0.

p0341[0...n]	Motor moment of inertia / Mot M_mom of inert		
Access level: 3	Calculated: p0340 = 1	Data type: FloatingPoint32	
Can be changed: C(3), U, T	Scaling: -	Dyn. index: MDS	
Units group: 25_1	Unit selection: p0100	Func. diagram: 5042, 5210, 6020, 6030, 6031	
Min	Max	Factory setting	
0.000000 [kgm ²]	100000.000000 [kgm ²]	0.000000 [kgm ²]	
Description:	Sets the motor moment of inertia (without load).		
Dependency:	IEC drives (p0100 = 0): unit kg m ² NEMA drives (p0100 = 1): unit lb ft ² The parameter value is included, together with p0342, in the rated starting time of the motor. Refer to: p0342, r0345		
Notice:	When selecting a catalog motor (p0301), this parameter is automatically pre-assigned and is write protected. Information in p0300 should be carefully observed when removing write protection.		
Note:	The product of p0341 * p0342 is used when the speed controller (p0340 = 4) is calculated automatically.		

p0342[0...n]	Ratio between the total and motor moment of inertia / Mot MomInert Ratio		
Access level: 3	Calculated: p0340 = 1	Data type: FloatingPoint32	
Can be changed: C(3), U, T	Scaling: -	Dyn. index: MDS	
Units group: -	Unit selection: -	Func. diagram: 5042, 5210, 6020, 6030, 6031	
Min	Max	Factory setting	
1.000	10000.000	1.000	
Description:	Sets the ratio between the total moment of inertia/mass (load + motor) and the intrinsic motor moment of inertia/mass (no load).		
Dependency:	This means that together with p0341, the rated starting (accelerating time) of the motor is calculated for a vector drive. Refer to: p0341, r0345, p1498		
Note:	The product of p0341 * p0342 is used when the speed controller (p0340 = 4) is calculated automatically.		

r0343[0...n]	Rated motor current identified / Mot I_{rated} ident		
	Access level: 4	Calculated: -	Data type: FloatingPoint32
	Can be changed: -	Scaling: -	Dyn. index: MDS
	Units group: -	Unit selection: -	Func. diagram: -
	Min	Max	Factory setting
	0.00 [Arms]	10000.00 [Arms]	- [Arms]
Description:	Displays the identified rated motor current.		
p0344[0...n]	Motor weight (for the thermal motor model) / Mot weight th mod		
	Access level: 3	Calculated: p0340 = 1	Data type: FloatingPoint32
	Can be changed: C(3), T	Scaling: -	Dyn. index: MDS
	Units group: 27_1	Unit selection: p0100	Func. diagram: -
	Min	Max	Factory setting
	0.0 [kg]	50000.0 [kg]	0.0 [kg]
Description:	Sets the motor weight.		
Dependency:	IEC drives (p0100 = 0): unit kg NEMA drives (p0100 = 1): unit lb		
Notice:	When selecting a catalog motor (p0301), this parameter is automatically pre-assigned and is write protected. Information in p0300 should be carefully observed when removing write protection.		
Note:	The parameter influences the thermal 3 mass model of the induction motor. The parameter is not used for synchronous motors (p0300 = 2xx).		
r0345[0...n]	Nominal motor starting time / Mot t_{start} rated		
	Access level: 3	Calculated: -	Data type: FloatingPoint32
	Can be changed: -	Scaling: -	Dyn. index: MDS
	Units group: -	Unit selection: -	Func. diagram: -
	Min	Max	Factory setting
	- [s]	- [s]	- [s]
Description:	Displays the rated motor starting time. This time corresponds to the time from standstill up to reaching the motor rated speed and the acceleration with motor rated torque (r0333).		
Dependency:	Refer to: r0313, r0333, p0341, p0342		
p0346[0...n]	Motor excitation build-up time / Mot t_{excitation}		
	Access level: 3	Calculated: p0340 = 1,3	Data type: FloatingPoint32
	Can be changed: C(3), U, T	Scaling: -	Dyn. index: MDS
	Units group: -	Unit selection: -	Func. diagram: -
	Min	Max	Factory setting
	0.000 [s]	20.000 [s]	0.000 [s]
Description:	Sets the excitation build-up time of the motor. This involves the delay time between enabling the pulses and enabling the ramp-function generator. The induction motor is magnetized during this time.		
Caution:	If there is insufficient magnetization under load or if the acceleration rate is too high, then an induction motor can stall (refer to the note).		
			
Note:	The parameter is calculated using p0340 = 1, 3. For induction motors, the result depends on the rotor time constant (r0384). If this time is excessively reduced, this can result in an inadequate magnetizing of the induction motor. This is the case if the current limit is reached while building up magnetizing. For induction motors, the parameter cannot be set to 0 s (internal limit: 0.1 * r0384). For permanent-magnet synchronous motors and vector control, the value depends on the stator time constant (r0386). Here, it defines the time to establish the current for encoderless operation immediately after the pulses have been enabled.		

p0347[0...n]	Motor de-excitation time / Mot t_de-excitat		
	Access level: 3	Calculated: p0340 = 1,3	Data type: FloatingPoint32
	Can be changed: C(3), U, T	Scaling: -	Dyn. index: MDS
	Units group: -	Unit selection: -	Func. diagram: -
	Min	Max	Factory setting
	0.000 [s]	20.000 [s]	0.000 [s]
Description:	Sets the de-magnetizing time (for induction motors) after the inverter pulses have been canceled. The inverter pulses cannot be switched in (enabled) within this delay time.		
Note:	The parameter is calculated using p0340 = 1, 3. For induction motors, the result depends on the rotor time constant (r0384). if this time is shortened too much, then this can result in an inadequate de-magnetizing of the induction motor and in an overcurrent condition when the pulses are subsequently enabled (only when the flying restart function is activated and the motor is rotating).		
p0350[0...n]	Motor stator resistance cold / Mot R_stator cold		
	Access level: 3	Calculated: p0340 = 1,2	Data type: FloatingPoint32
	Can be changed: C(3), U, T	Scaling: -	Dyn. index: MDS
	Units group: -	Unit selection: -	Func. diagram: -
	Min	Max	Factory setting
	0.00000 [ohm]	2000.00000 [ohm]	0.00000 [ohm]
Description:	Sets the stator resistance of the motor at ambient temperature p0625 (phase value).		
Dependency:	Refer to: p0625, r1912		
Notice:	When selecting a catalog motor (p0301), this parameter is automatically pre-assigned and is write protected. Information in p0300 should be carefully observed when removing write protection.		
Note:	The motor identification routine determines the stator resistance from the total stator resistance minus the cable resistance (p0352).		
p0352[0...n]	Cable resistance / R_cable		
	Access level: 3	Calculated: -	Data type: FloatingPoint32
	Can be changed: C(3), U, T	Scaling: -	Dyn. index: MDS
	Units group: -	Unit selection: -	Func. diagram: -
	Min	Max	Factory setting
	0.00000 [ohm]	120.00000 [ohm]	0.00000 [ohm]
Description:	Resistance of the power cable between the power unit and motor.		
Caution:	The cable resistance should be entered prior to motor data identification. If it is used subsequently, the difference by which p0352 was changed must be subtracted from the stator resistance p0350 or motor data identification must be repeated.		
			
Note:	The parameter influences the temperature adaptation of the stator resistance. The motor identification sets the cable resistance to 20% of the measured total resistance if p0352 is zero at the time that the measurement is made. If p0352 is not zero, then the value is subtracted from the measured total stator resistance to calculate stator resistance p0350. In this case, p0350 is a minimum of 10% of the measured value. The cable resistance is reset when quick commissioning is exited with p3900 > 0. If the stator resistance is available in a motor list, and if p0352 is still zero, then the cable resistance is generated from the difference between the measured value and list value.		
p0354[0...n]	Motor rotor resistance cold / Mot R_r cold		
	Access level: 3	Calculated: p0340 = 1,2	Data type: FloatingPoint32
	Can be changed: C(3), U, T	Scaling: -	Dyn. index: MDS
	Units group: -	Unit selection: -	Func. diagram: 6727
	Min	Max	Factory setting
	0.00000 [ohm]	300.00000 [ohm]	0.00000 [ohm]
Description:	Sets the rotor/secondary section resistance of the motor at the ambient temperature p0625. This parameter value is automatically calculated using the motor model (p0340 = 1, 2) or using the motor data identification routine (p1910).		

Dependency:	Refer to: p0625
Notice:	When selecting a catalog motor (p0301), this parameter is automatically pre-assigned and is write protected. Information in p0300 should be carefully observed when removing write protection.
Note:	The parameter is not used for synchronous motors (p0300 = 2).

p0356[0...n]	Motor stator leakage inductance / Mot L_stator leak.		
	Access level: 3	Calculated: p0340 = 1,2	Data type: FloatingPoint32
	Can be changed: C(3), U, T	Scaling: -	Dyn. index: MDS
	Units group: -	Unit selection: -	Func. diagram: -
	Min	Max	Factory setting
	0.00000 [mH]	1000.00000 [mH]	0.00000 [mH]
Description:	Induction machine: sets the stator leakage inductance of the motor. Synchronous motor: Sets the stator quadrature axis inductance of the motor. This parameter value is automatically calculated using the motor model (p0340 = 1, 2) or using the motor identification routine (p1910).		
Notice:	When selecting a catalog motor (p0301), this parameter is automatically pre-assigned and is write protected. Information in p0300 should be carefully observed when removing write protection.		
Note:	If the stator leakage inductance (p0356) for induction motors is changed outside the commissioning phase (p0010 > 0), the magnetizing inductance (p0360) is automatically adapted to the new EMF (r0337). You are then advised to repeat the measurement for the saturation characteristic (p1960). For permanent-magnet synchronous motors (p0300 = 2), this is the non-saturated value and is, therefore, ideal for a low current.		

p0357[0...n]	Motor stator inductance d axis / Mot L_stator d		
	Access level: 3	Calculated: p0340 = 1,2	Data type: FloatingPoint32
	Can be changed: C(3), U, T	Scaling: -	Dyn. index: MDS
	Units group: -	Unit selection: -	Func. diagram: -
	Min	Max	Factory setting
	0.00000 [mH]	1000.00000 [mH]	0.00000 [mH]
Description:	Sets the stator direct-axis inductance of the synchronous motor. This parameter value is automatically calculated using the motor model (p0340 = 1, 2) or using the motor identification routine (p1910).		
Note:	For permanent-magnet synchronous motors (p0300 = 2), this is the non-saturated value and is ideal for a low current.		

p0358[0...n]	Motor rotor leakage inductance / Mot L_rot leak		
	Access level: 3	Calculated: p0340 = 1,2	Data type: FloatingPoint32
	Can be changed: C(3), U, T	Scaling: -	Dyn. index: MDS
	Units group: -	Unit selection: -	Func. diagram: 6727
	Min	Max	Factory setting
	0.00000 [mH]	1000.00000 [mH]	0.00000 [mH]
Description:	Sets the rotor/secondary section leakage inductance of the motor. The value is automatically calculated using the motor model (p0340 = 1, 2) or using the motor identification routine (p1910).		
Notice:	When selecting a catalog motor (p0301), this parameter is automatically pre-assigned and is write protected. Information in p0300 should be carefully observed when removing write protection.		
Note:	If the rotor leakage inductance (p0358) for induction motors is changed outside the commissioning phase (p0010 > 0), then the magnetizing inductance (p0360) is automatically adapted to the new EMF (r0337). You are then advised to repeat the measurement for the saturation characteristic (p1960).		

p0360[0...n]	Motor magnetizing inductance / Mot Lh		
	Access level: 3	Calculated: p0340 = 1,2	Data type: FloatingPoint32
	Can be changed: C(3), U, T	Scaling: -	Dyn. index: MDS
	Units group: -	Unit selection: -	Func. diagram: 6727
	Min 0.00000 [mH]	Max 10000.00000 [mH]	Factory setting 0.00000 [mH]
Description:	Sets the magnetizing inductance of the motor. This parameter value is automatically calculated using the motor model (p0340 = 1, 2) or using the motor identification routine (p1910).		
Notice:	When selecting a catalog motor (p0301), this parameter is automatically pre-assigned and is write protected. Information in p0300 should be carefully observed when removing write protection.		
Note:	The parameter is not used for synchronous motors (p0300 = 2).		
p0362[0...n]	Motor saturation characteristic flux 1 / Mot saturat.flux 1		
	Access level: 4	Calculated: -	Data type: FloatingPoint32
	Can be changed: C(3), U, T	Scaling: -	Dyn. index: MDS
	Units group: -	Unit selection: -	Func. diagram: 6723, 6726
	Min 10.0 [%]	Max 800.0 [%]	Factory setting 60.0 [%]
Description:	The saturation characteristics (flux as a function of the magnetizing current) is defined using 4 points. This parameter specifies the y coordinate (flux) for the 1st value pair of the characteristic. Sets the first flux value of the saturation characteristic as a [%] referred to the rated motor flux (100 %).		
Dependency:	The following applies for the flux values: p0362 < p0363 < p0364 < p0365 Refer to: p0366		
Note:	For induction motors, p0362 = 100 % corresponds to the rated motor flux. When quick commissioning is exited with p3900 > 0, then the parameter is reset if a catalog motor has not been selected (p0300).		
p0363[0...n]	Motor saturation characteristic flux 2 / Mot saturat.flux 2		
	Access level: 4	Calculated: -	Data type: FloatingPoint32
	Can be changed: C(3), U, T	Scaling: -	Dyn. index: MDS
	Units group: -	Unit selection: -	Func. diagram: 6723, 6726
	Min 10.0 [%]	Max 800.0 [%]	Factory setting 85.0 [%]
Description:	The saturation characteristics (flux as a function of the magnetizing current) is defined using 4 points. This parameter specifies the y coordinate (flux) for the 2nd value pair of the characteristic. Sets the second flux value of the saturation characteristic as a [%] referred to the rated motor flux (100 %).		
Dependency:	The following applies for the flux values: p0362 < p0363 < p0364 < p0365 Refer to: p0367		
Note:	For induction motors, p0363 = 100 % corresponds to the rated motor flux. When quick commissioning is exited with p3900 > 0, then the parameter is reset if a catalog motor has not been selected (p0300).		

p0364[0...n]	Motor saturation characteristic flux 3 / Mot saturat.flux 3		
	Access level: 4	Calculated: -	Data type: FloatingPoint32
	Can be changed: C(3), U, T	Scaling: -	Dyn. index: MDS
	Units group: -	Unit selection: -	Func. diagram: 6723, 6726
	Min	Max	Factory setting
	10.0 [%]	800.0 [%]	115.0 [%]
Description:	The saturation characteristics (flux as a function of the magnetizing current) is defined using 4 points. This parameter specifies the y coordinate (flux) for the 3rd value pair of the characteristic. Sets the third flux value of the saturation characteristic as a [%] referred to the rated motor flux (100 %).		
Dependency:	The following applies for the flux values: p0362 < p0363 < p0364 < p0365 Refer to: p0368		
Note:	For induction motors, p0364 = 100 % corresponds to the rated motor flux. When quick commissioning is exited with p3900 > 0, then the parameter is reset if a catalog motor has not been selected (p0300).		
p0365[0...n]	Motor saturation characteristic flux 4 / Mot saturat.flux 4		
	Access level: 4	Calculated: -	Data type: FloatingPoint32
	Can be changed: C(3), U, T	Scaling: -	Dyn. index: MDS
	Units group: -	Unit selection: -	Func. diagram: 6723, 6726
	Min	Max	Factory setting
	10.0 [%]	800.0 [%]	125.0 [%]
Description:	The saturation characteristics (flux as a function of the magnetizing current) is defined using 4 points. This parameter specifies the y coordinate (flux) for the 4th value pair of the characteristic. Sets the fourth flux value of the saturation characteristic as a [%] referred to the rated motor flux (100 %).		
Dependency:	The following applies for the flux values: p0362 < p0363 < p0364 < p0365 Refer to: p0369		
Note:	For induction motors, p0365 = 100 % corresponds to the rated motor flux. When quick commissioning is exited with p3900 > 0, then the parameter is reset if a catalog motor has not been selected (p0300).		
p0366[0...n]	Motor saturation characteristic I_mag 1 / Mot sat. I_mag 1		
	Access level: 4	Calculated: -	Data type: FloatingPoint32
	Can be changed: C(3), U, T	Scaling: -	Dyn. index: MDS
	Units group: -	Unit selection: -	Func. diagram: 6723, 6726
	Min	Max	Factory setting
	5.0 [%]	800.0 [%]	50.0 [%]
Description:	The saturation characteristics (flux as a function of the magnetizing current) is defined using 4 points. This parameter specifies the x coordinate (magnetizing current) for the 1st value pair of the characteristic. Sets the first magnetization current of the saturation characteristic in [%] with reference to the rated magnetization current (r0331).		
Dependency:	The following applies for the magnetizing currents: p0366 < p0367 < p0368 < p0369 Refer to: p0362		
Note:	When quick commissioning is exited with p3900 > 0, then the parameter is reset if a catalog motor has not been selected (p0300).		

p0367[0...n]	Motor saturation characteristic I_mag 2 / Mot sat. I_mag 2		
	Access level: 4	Calculated: -	Data type: FloatingPoint32
	Can be changed: C(3), U, T	Scaling: -	Dyn. index: MDS
	Units group: -	Unit selection: -	Func. diagram: 6723, 6726
	Min	Max	Factory setting
	5.0 [%]	800.0 [%]	75.0 [%]
Description:	The saturation characteristics (flux as a function of the magnetizing current) is defined using 4 points. This parameter specifies the x coordinate (magnetizing current) for the 2nd value pair of the characteristic. Sets the second magnetization current of the saturation characteristic in [%] with reference to the rated magnetization current (r0331).		
Dependency:	The following applies for the magnetizing currents: p0366 < p0367 < p0368 < p0369 Refer to: p0363		
Note:	When quick commissioning is exited with p3900 > 0, then the parameter is reset if a catalog motor has not been selected (p0300).		
p0368[0...n]	Motor saturation characteristic I_mag 3 / Mot sat. I_mag 3		
	Access level: 4	Calculated: -	Data type: FloatingPoint32
	Can be changed: C(3), U, T	Scaling: -	Dyn. index: MDS
	Units group: -	Unit selection: -	Func. diagram: 6723, 6726
	Min	Max	Factory setting
	5.0 [%]	800.0 [%]	150.0 [%]
Description:	The saturation characteristics (flux as a function of the magnetizing current) is defined using 4 points. This parameter specifies the x coordinate (magnetizing current) for the 3rd value pair of the characteristic. Sets the third magnetization current of the saturation characteristic in [%] with reference to the rated magnetization current (r0331).		
Dependency:	The following applies for the magnetizing currents: p0366 < p0367 < p0368 < p0369 Refer to: p0364		
Note:	When quick commissioning is exited with p3900 > 0, then the parameter is reset if a catalog motor has not been selected (p0300).		
p0369[0...n]	Motor saturation characteristic I_mag 4 / Mot sat. I_mag 4		
	Access level: 4	Calculated: -	Data type: FloatingPoint32
	Can be changed: C(3), U, T	Scaling: -	Dyn. index: MDS
	Units group: -	Unit selection: -	Func. diagram: 6723, 6726
	Min	Max	Factory setting
	5.0 [%]	800.0 [%]	210.0 [%]
Description:	The saturation characteristics (flux as a function of the magnetizing current) is defined using 4 points. This parameter specifies the x coordinate (magnetizing current) for the 4th value pair of the characteristic. Sets the fourth magnetization current of the saturation characteristic in [%] with reference to the rated magnetization current (r0331).		
Dependency:	The following applies for the magnetizing currents: p0366 < p0367 < p0368 < p0369 Refer to: p0365		
Note:	When quick commissioning is exited with p3900 > 0, then the parameter is reset if a catalog motor has not been selected (p0300).		

r0370[0...n]	Motor stator resistance cold / Mot R_stator cold		
	Access level: 4	Calculated: -	Data type: FloatingPoint32
	Can be changed: -	Scaling: -	Dyn. index: MDS
	Units group: -	Unit selection: -	Func. diagram: -
	Min	Max	Factory setting
	- [ohm]	- [ohm]	- [ohm]
Description:	Displays the motor stator resistance at an ambient temperature (p0625). The value does not include the cable resistance.		
Dependency:	Refer to: p0625		
r0372[0...n]	Cable resistance / Mot R_cable		
	Access level: 4	Calculated: -	Data type: FloatingPoint32
	Can be changed: -	Scaling: -	Dyn. index: MDS
	Units group: -	Unit selection: -	Func. diagram: -
	Min	Max	Factory setting
	- [ohm]	- [ohm]	- [ohm]
Description:	Displays the total cable resistance between power unit and motor, as well as the internal converter resistance.		
Dependency:	Refer to: r0238, p0352		
r0373[0...n]	Motor rated stator resistance / Mot R_stator rated		
	Access level: 4	Calculated: -	Data type: FloatingPoint32
	Can be changed: -	Scaling: -	Dyn. index: MDS
	Units group: -	Unit selection: -	Func. diagram: -
	Min	Max	Factory setting
	- [ohm]	- [ohm]	- [ohm]
Description:	Displays the rated motor stator resistance at rated temperature (total of p0625 and p0627).		
Dependency:	Refer to: p0627		
Note:	The parameter is not used for synchronous motors (p0300 = 2xx).		
r0374[0...n]	Motor rotor resistance cold / Mot R_r cold		
	Access level: 4	Calculated: -	Data type: FloatingPoint32
	Can be changed: -	Scaling: -	Dyn. index: MDS
	Units group: -	Unit selection: -	Func. diagram: -
	Min	Max	Factory setting
	- [ohm]	- [ohm]	- [ohm]
Description:	Displays the motor rotor resistance at an ambient temperature p0625.		
Dependency:	Refer to: p0625		
Note:	The parameter is not used for synchronous motors (p0300 = 2xx).		
r0376[0...n]	Rated motor rotor resistance / Mot rated R_rotor		
	Access level: 4	Calculated: -	Data type: FloatingPoint32
	Can be changed: -	Scaling: -	Dyn. index: MDS
	Units group: -	Unit selection: -	Func. diagram: -
	Min	Max	Factory setting
	- [ohm]	- [ohm]	- [ohm]
Description:	Displays the nominal rotor resistance of the motor at the rated temperature. The rated temperature is the sum of p0625 and p0628.		
Dependency:	Refer to: p0628		
Note:	The parameter is not used for synchronous motors (p0300 = 2xx).		

r0377[0...n]	Motor leakage inductance total / Mot L_leak total		
	Access level: 4	Calculated: -	Data type: FloatingPoint32
	Can be changed: -	Scaling: -	Dyn. index: MDS
	Units group: -	Unit selection: -	Func. diagram: -
	Min	Max	Factory setting
	- [mH]	- [mH]	- [mH]
Description:	Displays the stator leakage inductance of the motor including the motor reactor (p0233).		
r0378[0...n]	Motor stator inductance d axis / Mot L_stator d		
	Access level: 4	Calculated: -	Data type: FloatingPoint32
	Can be changed: -	Scaling: -	Dyn. index: MDS
	Units group: -	Unit selection: -	Func. diagram: -
	Min	Max	Factory setting
	- [mH]	- [mH]	- [mH]
Description:	Displays the stator longitudinal inductance of the synchronous motor including the motor reactor (p0233).		
r0382[0...n]	Motor magnetizing inductance transformed / Mot L_magn transf		
	Access level: 4	Calculated: -	Data type: FloatingPoint32
	Can be changed: -	Scaling: -	Dyn. index: MDS
	Units group: -	Unit selection: -	Func. diagram: -
	Min	Max	Factory setting
	- [mH]	- [mH]	- [mH]
Description:	Displays the magnetizing inductance of the motor.		
Note:	The parameter is not used for synchronous motors (p0300 = 2xx).		
r0384[0...n]	Motor rotor time constant / damping time constant d axis / Mot T_rotor/T_Dd		
	Access level: 3	Calculated: -	Data type: FloatingPoint32
	Can be changed: -	Scaling: -	Dyn. index: MDS
	Units group: -	Unit selection: -	Func. diagram: 6722
	Min	Max	Factory setting
	- [ms]	- [ms]	- [ms]
Description:	Displays the rotor time constant.		
Note:	The parameter is not used for synchronous motors. The value is calculated from the total of the inductances on the rotor side (p0358, p0360) divided by the rotor resistance (p0354). The temperature adaptation of the rotor resistance for induction motors is not taken into account.		
r0386[0...n]	Motor stator leakage time constant / Mot T_stator leak		
	Access level: 4	Calculated: -	Data type: FloatingPoint32
	Can be changed: -	Scaling: -	Dyn. index: MDS
	Units group: -	Unit selection: -	Func. diagram: -
	Min	Max	Factory setting
	- [ms]	- [ms]	- [ms]
Description:	Displays the stator leakage time constant.		
Note:	The value is calculated from the total of all leakage inductances (p0233, p0356, p0358) divided by the total of all motor resistances (p0350, p0352, p0354). The temperature adaptation of the resistances is not taken into account.		

r0395[0...n]	Actual stator resistance / R_stator act		
	Access level: 3	Calculated: -	Data type: FloatingPoint32
	Can be changed: -	Scaling: -	Dyn. index: MDS
	Units group: -	Unit selection: -	Func. diagram: -
	Min	Max	Factory setting
	- [ohm]	- [ohm]	- [ohm]
Description:	Displays the actual stator resistance (phase value). The parameter value also contains the temperature-independent cable resistance.		
Dependency:	In the case of induction motors the parameter is also affected by the motor temperature model. Refer to: p0350, p0352, p0620		
Note:	In each case, only the stator resistance of the active Motor Data Set is included with the stator temperature of the thermal motor model.		
r0396[0...n]	Actual rotor resistance / R_rotor act		
	Access level: 3	Calculated: -	Data type: FloatingPoint32
	Can be changed: -	Scaling: -	Dyn. index: MDS
	Units group: -	Unit selection: -	Func. diagram: 6730
	Min	Max	Factory setting
	- [ohm]	- [ohm]	- [ohm]
Description:	Displays the actual rotor resistance (phase value). The parameter is affected by the motor temperature model.		
Dependency:	Refer to: p0354, p0620		
Note:	In each case, only the rotor resistance of the active Motor Data Set is included with the rotor temperature of the thermal motor model. This parameter is not used for synchronous motors (p0300 = 2xx).		
p0397[0...n]	Angle magnetic decoupling maximum angle / Magn decpl max_ang		
	Access level: 4	Calculated: p0340 = 1,2	Data type: FloatingPoint32
	Can be changed: U, T	Scaling: -	Dyn. index: MDS
	Units group: -	Unit selection: -	Func. diagram: -
	Min	Max	Factory setting
	0.0 [°]	90.0 [°]	90.0 [°]
Description:	Maximum angle when calculating the polynomial function to decouple the magnetic flux axes for permanent-magnet synchronous motors (see p0398, p0399).		
p0400[0...n]	Encoder type selection / Enc_typ sel		
	Access level: 1	Calculated: -	Data type: Integer16
	Can be changed: C(1, 4)	Scaling: -	Dyn. index: EDS, p0140
	Units group: -	Unit selection: -	Func. diagram: 4700, 4704
	Min	Max	Factory setting
	0	10100	0
Description:	Selects the encoder from the list of encoder types supported.		
Value:	0: No encoder 202: DRIVE-CLiQ encoder AS20, singleturn 204: DRIVE-CLiQ encoder AM20, multiturn 4096 242: DRIVE-CLiQ encoder AS24, singleturn 244: DRIVE-CLiQ encoder AM24, multiturn 4096 1001: Resolver 1 speed 1002: Resolver 2 speed 1003: Resolver 3 speed 1004: Resolver 4 speed 2001: 2048, 1 Vpp, A/B C/D R 2002: 2048, 1 Vpp, A/B R 2003: 256, 1 Vpp, A/B R 2004: 400, 1 Vpp, A/B R		

2005: 512, 1 Vpp, A/B R
 2006: 192, 1 Vpp, A/B R
 2007: 480, 1 Vpp, A/B R
 2008: 800, 1 Vpp, A/B R
 2010: 18000, 1 Vpp, A/B R distance-coded
 2012: 420, 1 Vpp, A/B R
 2013: 675, 1 Vpp, A/B R
 2051: 2048, 1 Vpp, A/B, EnDat, Multiturn 4096
 2052: 32, 1 Vpp, A/B, EnDat, Multiturn 4096
 2053: 512, 1 Vpp, A/B, EnDat, Multiturn 4096
 2054: 16, 1 Vpp, A/B, EnDat, Multiturn 4096
 2055: 2048, 1 Vpp, A/B, EnDat, Singleturn
 2081: 2048, 1 Vpp, A/B, SSI, Singleturn
 2082: 2048, 1 Vpp, A/B, SSI, Multiturn 4096
 2083: 2048, 1 Vpp, A/B, SSI, singleturn, error bit
 2084: 2048, 1 Vpp, A/B, SSI, multiturn 4096, error bit
 2110: 4000 nm, 1 Vpp, A/B R distance-coded
 2111: 20000 nm, 1 Vpp, A/B R distance-coded
 2112: 40000 nm, 1 Vpp, A/B R distance-coded
 2151: 16000 nm, 1 Vpp, A/B, EnDat, resolution 100 nm
 3001: 1024 HTL A/B R
 3002: 1024 TTL A/B R
 3003: 2048 HTL A/B R
 3005: 1024 HTL A/B
 3006: 1024 TTL A/B
 3007: 2048 HTL A/B
 3008: 2048 TTL A/B
 3009: 1024 HTL A/B unipolar
 3011: 2048 HTL A/B unipolar
 3020: 2048 TTL A/B R, with sense
 3081: SSI, Singleturn, 24 V
 3082: SSI, Multiturn 4096, 24 V
 3090: 4096, HTL, A/B, SSI, Singleturn
 3109: 2000 nm, TTL, A/B R distance-coded
 9999: User-defined
 10000: Identify encoder
 10050: Encoder with EnDat2.x interface identified
 10051: DRIVE-CLiQ encoder identified
 10058: Digital encoder (absolute) identified
 10059: Digital encoder (incremental) identified
 10100: Identify encoder (waiting)

Dependency:

Refer to: p0468

Notice:

An encoder type with p0400 < 9999 defines an encoder for which there is an encoder parameter list. When selecting a catalog encoder (p0400 < 9999) the parameters from the encoder parameter list cannot be changed (write protection). To remove write protection, the encoder type should be set to a third-party encoder (p0400 = 9999).

If the encoder interface p0468[x] is reconfigured, the encoder configuration is reset p0400[x] = 0.

Note:

The connected encoder can be identified by setting p0400 to 10000 or 10100. This assumes that the encoder supports this method, which is possible in the following cases: Motor with DRIVE-CLiQ, encoder with EnDat interface, DRIVE-CLiQ encoder, encoder with SSI interface (only 10100)..

The encoder data (e.g. pulse number p0408) can only be changed when p0400 = 9999.

When using an encoder with track A/B and zero pulse, as standard, fine synchronization is not set using a zero mark. If, for a synchronous motor, fine synchronization is to be realized using a zero mark, then the following must be executed:

- set p0400 to 9999

- set p0404.15 to 1

Prerequisite:

Coarse synchronization must be selected (e.g. pole position identification) and the zero pulse of the encoder must be either mechanically or electronically (p0431) adjusted to the pole position.

For p0400 = 10000 the following applies:

If an identification is not possible, then p0400 is set to 0.

For p0400 = 10100 the following applies:

If an identification is not possible, p0400 remains set to 10100 until it becomes possible.

p0402[0...n]		Gearbox type selection / Gearbox type sel		
	Access level: 1	Calculated: -	Data type: Integer16	
	Can be changed: C(1, 4)	Scaling: -	Dyn. index: EDS, p0140	
	Units group: -	Unit selection: -	Func. diagram: -	
	Min	Max	Factory setting	
	1	10100	9999	
Description:	Selects the gearbox type to pre-set the inversion and the gearbox factor. Measuring gear factor = motor or load revolutions / encoder revolutions.			
Value:	1: Gearbox 1:1 not inverted 2: Gearbox 2:7 inverted 3: Gearbox 4:17 inverted 4: Gearbox 2:10 inverted 9999: Gearbox user-defined 10000: Identify gearbox 10100: Identify gearbox			
Dependency:	Refer to: p0410, p0432, p0433			
Note:	Re p0402 = 1: Automatic setting of p0410 = 0000 bin, p0432 = 1, p0433 = 1. Re p0402 = 2: Automatic setting of p0410 = 0011 bin, p0432 = 7, p0433 = 2. Re p0402 = 3: Automatic setting of p0410 = 0011 bin, p0432 = 17, p0433 = 4. Re p0402 = 4: Automatic setting of p0410 = 0011 bin, p0432 = 10, p0433 = 2. Re p0402 = 9999: No automatic setting of p0410, p0432, p0433. The parameters should be manually set. Re p0402 = 10000: It is only possible to identify the gearbox type for a motor with DRIVE-CLiQ. Parameters p0410, p0432 and p0433 are set corresponding to the identified gearbox. If an identification is not possible, then p0402 is set to 9999.			

p0404[0...n]		Encoder configuration effective / Enc_config eff			
	Access level: 3	Calculated: -	Data type: Unsigned32		
	Can be changed: C(4)	Scaling: -	Dyn. index: EDS, p0140		
	Units group: -	Unit selection: -	Func. diagram: 4010, 4704		
	Min	Max	Factory setting		
	-	-	0000 0000 0000 0000 0000 0000 0000 0000 0000 bin		
Description:	Settings for the basic encoder properties.				
Bit field:	Bit	Signal name	1 signal	0 signal	FP
	00	Linear encoder	Yes	No	-
	01	Absolute encoder	Yes	No	-
	02	Multiturn encoder	Yes	No	-
	03	Track A/B sq-wave	Yes	No	-
	04	Track A/B sine	Yes	No	-
	05	Track C/D	Yes	No	-
	06	Hall sensor	Yes	No	-
	08	EnDat encoder	Yes	No	-
	09	SSI encoder	Yes	No	-
	10	DRIVE-CLiQ encoder	Yes	No	-
	11	Digital encoder	Yes	No	-
	12	Equidistant zero mark	Yes	No	-
	13	Irregular zero mark	Yes	No	-
	14	Distance-coded zero mark	Yes	No	-
	15	Commutation with zero mark (not ASM)	Yes	No	-
	16	Acceleration	Yes	No	-
	17	Track A/B analog	Yes	No	-
	20	Voltage level 5 V	Yes	No	-

2 Parameters

2.2 List of parameters

21	Voltage level 24 V	Yes	No	-
22	Remote sense (only SMC30)	Yes	No	-
23	Resolver excit	Yes	No	-

Notice: This parameter is automatically pre-set for encoders from the encoder list (p0400).
When selecting a catalog encoder, this parameter cannot be changed (write protection). Information in p0400 should be carefully observed when removing write protection.

Note: ZM: Zero mark
SMC: Sensor Module Cabinet

If a technique to determine the commutation information/data has not been selected (e.g. track C/D, Hall sensor), and the encoder pulse number is an integer multiple of the pole number, then the following applies:
The track A/B is adjusted to match the magnetic position of the motor.

Re bit 01, 02 (absolute encoder, multiturn encoder):
These bits can only be selected for EnDat encoders, SSI encoders or DRIVE-CLiQ encoders.

Re bit 10 (DRIVE-CLiQ encoder):
This bit is only used for the large-scale integrated DRIVE-CLiQ encoders that provide their encoder data directly in DRIVE-CLiQ format without converting this data. This bit is not, therefore, set for first-generation DRIVE-CLiQ encoders.

Re bit 12 (equidistant zero mark):
The zero marks occur at regular intervals (e.g. rotary encoder with 1 zero mark per revolution or linear encoder with constant zero mark distance).
The bit activates monitoring of the zero mark distance (p0424/p0425, linear/rotary) or in the case of the linear encoder with 1 zero mark and p0424 = 0 zero mark monitoring is activated.

Re bit 13 (irregular zero mark):
The zero marks occur at irregular intervals (e.g. a linear scale with only 1 zero mark in the traversing range). The zero mark distance is not monitored.

Re bit 14 (distance-coded zero mark):
The distance (clearance) between two or several consecutive zero marks allows the absolute position to be calculated.

Re bit 15 (commutation with zero mark):
Only applicable for synchronous motors.
The function can be de-selected by priority via p0430.23.
For distance-coded zero marks, the following applies:
The phase sequence of the C/D track (if available) must be the same as the phase sequence of the encoder (A/B track).
The phase sequence of the Hall signal (if available) must be the same as the phase sequence of the motor. Further, the position of the Hall sensor must be mechanically adjusted to the motor EMF.
The fine synchronization is only started after two zero marks have been passed.

p0405[0...n] Square-wave encoder track A/B / Sq-wave enc A/B

Access level: 3	Calculated: -	Data type: Unsigned32
Can be changed: C(4)	Scaling: -	Dyn. index: EDS, p0140
Units group: -	Unit selection: -	Func. diagram: 4704
Min	Max	Factory setting
-	-	0000 1111 bin

Description: Settings for the track A/B in a square-wave encoder.
For square-wave encoders, p0404.3 must also be 1.

Bit field:	Bit	Signal name	1 signal	0 signal	FP
	00	Signal	Bipolar	Unipolar	-
	01	Level	TTL	HTL	-
	02	Track monitoring	A/B <-> -A/B	None	-
	03	Zero pulse	Same as A/B track	24 V unipolar	-
	04	Switching threshold	High	Low	-
	05	Pulse/direction	Active	Inactive	-

Notice: This parameter is automatically pre-set for encoders from the encoder list (p0400).
When selecting a catalog encoder, this parameter cannot be changed (write protection). Information in p0400 should be carefully observed when removing write protection.

Note: Re bit 02:
When the function is activated, track monitoring can be de-activated by setting p0437.26.
Re bit 05:
When the function is activated, a frequency setpoint and a direction for traveling can be entered via an encoder interface.


p0407[0...n]	Linear encoder grid division / Enc grid div		
	Access level: 3	Calculated: -	Data type: Unsigned32
	Can be changed: C(4)	Scaling: -	Dyn. index: EDS, p0140
	Units group: -	Unit selection: -	Func. diagram: 4010, 4704
	Min	Max	Factory setting
	0 [nm]	250000000 [nm]	16000 [nm]
Description:	Sets the grid division for a linear encoder.		
Notice:	This parameter is automatically pre-set for encoders from the encoder list (p0400). When selecting a catalog encoder, this parameter cannot be changed (write protection). Information in p0400 should be carefully observed when removing write protection.		
Note:	The lowest permissible value is 250 nm.		

p0408[0...n]	Rotary encoder pulse number / Rot enc pulse No.		
	Access level: 3	Calculated: -	Data type: Unsigned32
	Can be changed: C(4)	Scaling: -	Dyn. index: EDS, p0140
	Units group: -	Unit selection: -	Func. diagram: 4010, 4704
	Min	Max	Factory setting
	0	16777215	2048
Description:	Sets the number of pulses for a rotary encoder.		
Notice:	This parameter is automatically pre-set for encoders from the encoder list (p0400). When selecting a catalog encoder, this parameter cannot be changed (write protection). Information in p0400 should be carefully observed when removing write protection.		
Note:	The number of pole pairs for a resolver is entered here. The smallest permissible value is 1 pulse.		

p0410[0...n]	Encoder inversion actual value / Enc inv act value				
	Access level: 3	Calculated: -	Data type: Unsigned16		
	Can be changed: C(4)	Scaling: -	Dyn. index: EDS, p0140		
	Units group: -	Unit selection: -	Func. diagram: 4704, 4710, 4711, 4715		
	Min	Max	Factory setting		
	-	-	0000 bin		
Description:	Setting to invert actual values.				
Bit field:	Bit	Signal name	1 signal	0 signal	FP
	00	Invert speed actual value	Yes	No	4710, 4711, 4715
	01	Invert position actual value	Yes	No	4704
Note:	The inversion influences the following parameters: Bit 00: r0061, r0063 (exception: encoderless control), r0094 Bit 01: r0482, r0483				

p0411[0...n]	Measuring gear configuration / Meas gear config				
	Access level: 1	Calculated: -	Data type: Unsigned32		
	Can be changed: C(4)	Scaling: -	Dyn. index: EDS, p0140		
	Units group: -	Unit selection: -	Func. diagram: 4704		
	Min	Max	Factory setting		
	-	-	0000 bin		
Description:	Sets the configuration for position tracking of a measuring gear.				
Bit field:	Bit	Signal name	1 signal	0 signal	FP
	00	Measuring gear activate position tracking	Yes	No	-
	01	Axis type	Linear axis	Rotary axis	-
	02	Measuring gear reset position	Yes	No	-
	03	Meas. gearbox, activate pos. tracking for incremental encoders	Yes	No	-
Notice:	For p0411.3 = 1 the following applies: If position tracking is activated for incremental encoders, only the position actual value is stored. Axis or encoder motion is not detected when de-activated! Any tolerance window entered in p0413 has no effect.				
Note:	For the following events, the non-volatile, saved position values are automatically reset: - when an encoder replacement has been identified. - when changing the configuration of the Encoder Data Set (EDS).				

p0412[0...n]	Measuring gear absolute encoder rotary revolutions virtual / Abs rot rev			
	Access level: 1	Calculated: -	Data type: Unsigned32	
	Can be changed: C(4)	Scaling: -	Dyn. index: EDS, p0140	
	Units group: -	Unit selection: -	Func. diagram: 4704	
	Min	Max	Factory setting	
	0	4194303	0	
Description:	Sets the number of rotations that can be resolved for a rotary encoder with activated position tracking of the measuring gear.			
Dependency:	This parameter is only of significance for an absolute encoder (p0404.1 = 1) with activated position tracking (p0411.0 = 1) and for an incremental encoder with activated position tracking (p0411.3 = 1).			
Note:	The resolution that is set must be able to be represented using r0483. For rotary axes/modulo axes, the following applies: p0411.0 = 1: This parameter is pre-set with p0421 and can be changed. p0411.3 = 1: The parameter value is pre-set to the highest possible value. The highest possible value depends on the pulse number (p0408) and the fine resolution (p0419). For linear axes, the following applies: p0411.0 = 1: This parameter is pre-assigned with p0421, expanded by 6 bits for multiturn information (maximum number of overflows) and cannot be changed. p0411.3 = 1: The parameter value is pre-set to the highest possible value. The highest possible value depends on the pulse number (p0408) and the fine resolution (p0419).			

p0413[0...n]	Measuring gear position tracking tolerance window / Pos track window		
	Access level: 3	Calculated: -	Data type: FloatingPoint32
	Can be changed: C(4)	Scaling: -	Dyn. index: EDS, p0140
	Units group: -	Unit selection: -	Func. diagram: -
	Min	Max	Factory setting
	0.00	4294967300.00	0.00
Description:	Sets a tolerance window for position tracking. After the system is powered up, the difference between the saved position and the actual position is determined, and depending on this, the following is initiated: Difference within the tolerance window --> The position is reproduced as a result of the encoder actual value. Difference outside the tolerance window --> An appropriate message is output. Rotation, e.g. through a complete encoder range is not detected.		
Caution:			
Note:	The value is entered in integer (complete) encoder pulses. For p0411.0 = 1, the value is automatically pre-assigned quarter of the encoder range. Example: Quarter of the encoder range = (p0408 * p0421) / 4 It is possible that the tolerance window may not be able to be precisely set due to the data type (floating point number with 23 bit mantissa).		

p0418[0...n]	Fine resolution Gx_XIST1 (in bits) / Enc fine Gx_XIST1		
	Access level: 3	Calculated: -	Data type: Unsigned8
	Can be changed: C(4)	Scaling: -	Dyn. index: EDS, p0140
	Units group: -	Unit selection: -	Func. diagram: 4010, 4704
	Min	Max	Factory setting
	2	18	11
Description:	Sets the fine resolution in bits of the incremental position actual values.		
Note:	The parameter applies for the following process data: - Gx_XIST1 - Gx_XIST2 for reference mark or flying measurement The fine resolution specifies the fraction between two encoder pulses. Depending on the physical measurement principle, an encoder pulse can be broken down into a different number of fractions (e.g. squarewave encoder: 2 bit = resolution 4, sin/cos encoder: Typical 11 bit = resolution 2048). For a squarewave encoder, with the factory setting, the least significant bits have the value zero, i.e. they do not supply any useful information. For especially high quality measuring systems, the fine resolution must be increased corresponding to the available accuracy.		

p0419[0...n]	Fine resolution absolute value Gx_XIST2 (in bits) / Enc fine Gx_XIST2		
	Access level: 3	Calculated: -	Data type: Unsigned8
	Can be changed: C(4)	Scaling: -	Dyn. index: EDS, p0140
	Units group: -	Unit selection: -	Func. diagram: 4704, 4710
	Min	Max	Factory setting
	2	18	9
Description:	Sets the fine resolution in bits of the absolute position actual values.		
Dependency:	Refer to: p0418		
Note:	This parameter applies to process data Gx_XIST2 when reading the absolute value.		

p0420[0...n]	Encoder connection / Enc_connection				
	Access level: 3	Calculated: -	Data type: Unsigned16		
	Can be changed: C(4)	Scaling: -	Dyn. index: EDS, p0140		
	Units group: -	Unit selection: -	Func. diagram: -		
	Min	Max	Factory setting		
	-	-	0000 bin		
Description:	Selecting the encoder connection.				
Bit field:	Bit	Signal name	1 signal	0 signal	FP
	00	SUB-D	Yes	No	-
	01	Terminal	Yes	No	-

p0421[0...n]	Absolute encoder rotary multiturn resolution / Enc abs multiturn			
	Access level: 3	Calculated: -	Data type: Unsigned32	
	Can be changed: C(4)	Scaling: -	Dyn. index: EDS, p0140	
	Units group: -	Unit selection: -	Func. diagram: 4704	
	Min	Max	Factory setting	
	0	4294967295	4096	
Description:	Sets the number of rotations that can be resolved for a rotary absolute encoder.			
Notice:	This parameter is automatically pre-set for encoders from the encoder list (p0400). When selecting a catalog encoder, this parameter cannot be changed (write protection). Information in p0400 should be carefully observed when removing write protection.			

p0422[0...n]	Absolute encoder linear measuring step resolution / Enc abs meas step			
	Access level: 3	Calculated: -	Data type: Unsigned32	
	Can be changed: C(4)	Scaling: -	Dyn. index: EDS, p0140	
	Units group: -	Unit selection: -	Func. diagram: 4704	
	Min	Max	Factory setting	
	0 [nm]	4294967295 [nm]	100 [nm]	
Description:	Sets the resolution of the absolute position for a linear absolute encoder.			
Notice:	This parameter is automatically pre-set for encoders from the encoder list (p0400). When selecting a catalog encoder, this parameter cannot be changed (write protection). Information in p0400 should be carefully observed when removing write protection.			
Note:	The serial protocol of an absolute encoder provides the position with a certain resolution , e.g. 100 nm. This value must be entered here.			

p0423[0...n]	Absolute encoder rotary singleturn resolution / Enc abs singleturn			
	Access level: 3	Calculated: -	Data type: Unsigned32	
	Can be changed: C(4)	Scaling: -	Dyn. index: EDS, p0140	
	Units group: -	Unit selection: -	Func. diagram: 4704	
	Min	Max	Factory setting	
	0	1073741823	8192	
Description:	Sets the number of measuring steps per revolution for a rotary absolute encoder. The resolution refers to the absolute position.			
Notice:	This parameter is automatically pre-set for encoders from the encoder list (p0400). When selecting a catalog encoder, this parameter cannot be changed (write protection). Information in p0400 should be carefully observed when removing write protection.			

p0424[0...n]	Encoder linear zero mark distance / Enc lin ZM_dist		
	Access level: 3	Calculated: -	Data type: Unsigned16
	Can be changed: C(4)	Scaling: -	Dyn. index: EDS, p0140
	Units group: -	Unit selection: -	Func. diagram: -
	Min	Max	Factory setting
	0 [mm]	65535 [mm]	20 [mm]
Description:	Sets the distance between two zero marks for a linear encoder. This information is used for zero mark monitoring.		
Notice:	This parameter is automatically pre-set for encoders from the encoder list (p0400). When selecting a catalog encoder, this parameter cannot be changed (write protection). Information in p0400 should be carefully observed when removing write protection.		
Note:	For distance-coded zero marks, this means the basic distance.		
p0425[0...n]	Encoder rotary zero mark distance / Enc rot dist ZM		
	Access level: 3	Calculated: -	Data type: Unsigned32
	Can be changed: C(4)	Scaling: -	Dyn. index: EDS, p0140
	Units group: -	Unit selection: -	Func. diagram: 4704, 8570
	Min	Max	Factory setting
	0	16777215	2048
Description:	Sets the distance in pulses between two zero marks for a rotary encoder. This information is used for zero mark monitoring.		
Notice:	This parameter is automatically pre-set for encoders from the encoder list (p0400). When selecting a catalog encoder, this parameter cannot be changed (write protection). Information in p0400 should be carefully observed when removing write protection.		
Note:	For distance-coded zero marks, this means the basic distance.		
p0426[0...n]	Encoder zero mark differential distance / Enc ZM Dif_dist		
	Access level: 3	Calculated: -	Data type: Unsigned16
	Can be changed: C(4)	Scaling: -	Dyn. index: EDS, p0140
	Units group: -	Unit selection: -	Func. diagram: -
	Min	Max	Factory setting
	1	65535	1
Description:	Sets the differential distance with distance-coded zero marks [signal periods]. The value corresponds to jump displacement of "zero mark with interference".		
Notice:	This parameter is automatically pre-set for encoders from the encoder list (p0400). When selecting a catalog encoder, this parameter cannot be changed (write protection). Information in p0400 should be carefully observed when removing write protection.		
p0427[0...n]	Encoder SSI baud rate / Enc SSI baud rate		
	Access level: 3	Calculated: -	Data type: FloatingPoint32
	Can be changed: C(4)	Scaling: -	Dyn. index: EDS, p0140
	Units group: -	Unit selection: -	Func. diagram: -
	Min	Max	Factory setting
	0 [kHz]	65535 [kHz]	100 [kHz]
Description:	Sets the baud rate for an SSI encoder.		
Notice:	This parameter is automatically pre-set for encoders from the encoder list (p0400). When selecting a catalog encoder, this parameter cannot be changed (write protection). Information in p0400 should be carefully observed when removing write protection.		
Note:	SSI: Synchronous Serial Interface		

p0428[0...n]	Encoder SSI monoflop time / Enc SSI t_monoflop		
	Access level: 3	Calculated: -	Data type: Unsigned16
	Can be changed: C(4)	Scaling: -	Dyn. index: EDS, p0140
	Units group: -	Unit selection: -	Func. diagram: -
	Min	Max	Factory setting
	0 [µs]	65535 [µs]	30 [µs]
Description:	Sets the minimum delay time between two data transfers of the absolute value for an SSI encoder.		
Notice:	This parameter is automatically pre-set for encoders from the encoder list (p0400). When selecting a catalog encoder, this parameter cannot be changed (write protection). Information in p0400 should be carefully observed when removing write protection.		

p0429[0...n]	Encoder SSI configuration / Enc SSI config				
	Access level: 3	Calculated: -	Data type: Unsigned16		
	Can be changed: C(4)	Scaling: -	Dyn. index: EDS, p0140		
	Units group: -	Unit selection: -	Func. diagram: -		
	Min	Max	Factory setting		
	-	-	0000 0000 bin		
Description:	Sets the configuration for an SSI encoder.				
Bit field:	Bit	Signal name	1 signal	0 signal	FP
	00	Transfer code	Binary code	Gray code	-
	02	Transfer absolute value twice	Yes	No	-
	06	Data line during the monoflop time	High level	Low level	-
Notice:	This parameter is automatically pre-set for encoders from the encoder list (p0400). When selecting a catalog encoder, this parameter cannot be changed (write protection). Information in p0400 should be carefully observed when removing write protection.				
Note:	Re bit 06: The quiescent signal level of the data line corresponds to the inverted, set level.				

p0430[0...n]	Sensor Module configuration / SM config				
	Access level: 3	Calculated: -	Data type: Unsigned32		
	Can be changed: C(4)	Scaling: -	Dyn. index: EDS, p0140		
	Units group: -	Unit selection: -	Func. diagram: -		
	Min	Max	Factory setting		
	-	-	1110 0000 0000 1000 0000 0000 0000 0000 bin		
Description:	Sets the configuration of the Sensor Module.				
Bit field:	Bit	Signal name	1 signal	0 signal	FP
	17	Burst oversampling	Yes	No	-
	18	Continuous oversampling (reserved)	Yes	No	-
	19	Safety position actual value sensing	Yes	No	-
	20	Speed calculation mode (only SMC30)	Incremental diff	Flank time meas	-
	21	Zero mark tolerance	Yes	No	-
	22	Rot pos adapt	Yes	No	-
	23	De-select commutation with zero mark	Yes	No	-
	24	Commutation with selected zero mark	Yes	No	-
	25	Switch off encoder voltage supply during parking	Yes	No	-
	27	Extrapolate position values	Yes	No	-
	28	Cubic correction	Yes	No	-
	29	Phase correction	Yes	No	-
	30	Amplitude correction	Yes	No	-
	31	Offset correction	Yes	No	-
Notice:	A bit-wise configuration is only possible if the corresponding property is also present in r0458.				
Note:	Re bit 17 (burst oversampling): - if bit = 1, burst oversampling is switched on.				

Re bit 18 (continuous oversampling):

- if bit = 1, continuous oversampling is switched on.

Re bit 19 (Safety position actual value sensing):

- if bit = 1, the Safety position actual value is transferred in the cyclic telegram.

Re bit 20 (speed calculation mode):

- if bit = 1, the speed is calculated via incremental difference without extrapolation.

- if bit = 0, the speed is calculated via edge time measurement with extrapolation. p0453 is effective in this mode.

Re bit 21 (zero mark tolerance):

- if bit = 1, a one-off zero mark distance error is tolerated. In the event of a defect, the fault F3x100/F3x101 does not appear, but alarm A3x400/A3x401 does.

Re bit 22 (rotor position adaptation):

- if bit = 1, the rotor position is corrected automatically. The correction speed is +/-1/4 encoder pulse per zero mark distance.

Re bit 23 (de-select commutation with zero mark):

- The bit should only be set for encoders that have not been adjusted.

Re bit 24 (commutation with selected zero mark):

- if bit = 1, the commutation position is corrected via a selected zero mark.

Re bit 25 (disconnect the encoder power supply on parking):

- if bit = 1, the encoder power supply is switched off on parking (0 V).

- if bit = 0, the encoder power supply is not switched off on parking, it is reduced from 24 V to 5 V.

Re bit 27 (extrapolate position values):

- if bit = 1, the extrapolation of the position values is activated.

Re bit 28 (cubic correction);

- if bit = 1, the cubic correction for track A/B sine is activated.

Re bit 29 (phase correction):

- if bit = 1, the phase correction for track A/B sine is activated.

Re bit 30 (amplitude correction):

- if bit = 1, the amplitude correction for track A/B sine is activated.

Re bit 31 (offset correction):

- if bit = 1, the offset correction for track A/B sine is activated.

p0431[0...n]

Angular commutation offset / Ang_com offset

Access level: 3

Calculated: -

Data type: FloatingPoint32

Can be changed: C(4)

Scaling: -

Dyn. index: EDS, p0140

Units group: -

Unit selection: -

Func. diagram: -

Min

Max

Factory setting

-180.00 [°]

180.00 [°]

0.00 [°]

Description:

Sets the angular commutation offset.

Dependency:

The value is taken into account in r0094.

Refer to: r0094, r1778

Notice:

When the firmware is upgraded from V2.3 to V2.4 or higher, the value must be reduced by 60° if all the following conditions are fulfilled:

- The motor is a synchronous motor (p0300 = 2, 2xx, 4, 4xx).

- The encoder is a resolver (p0404.23 = 1).

- The actual speed value is inverted (p0410.0 = 1).

The angular commutation offset cannot be generally taken from other drive systems. As a minimum - the sign of the offset determined for SIMODRIVE 611 digital and SIMODRIVE 611 universal must be reversed for SINAMICS (p0431 (SINAMICS) = -p1016 (SIMODRIVE)).

Note:

Angular commutation offset, angular difference between electrical position of encoder and flux position.

For p0404.5 = 1 (track C/D) the following applies:

The angular offset in p0431 acts on track A/B, the zero mark on track C/D.

For p0404.6 = 1 (Hall sensor) the following applies:

The angular offset in p0431 acts on track A/B and the zero mark.

p0432[0...n]	Gearbox factor encoder revolutions / Grbx_fact enc_rev		
	Access level: 3	Calculated: -	Data type: Integer16
	Can be changed: C(4)	Scaling: -	Dyn. index: EDS, p0140
	Units group: -	Unit selection: -	Func. diagram: -
	Min	Max	Factory setting
	1	10000	1
Description:	Sets the encoder revolutions for the gearbox factor of the encoder evaluation. The gearbox factor specifies the ratio between the encoder shaft and motor shaft (for motor encoders) or between the encoder shaft and the load.		
Dependency:	This parameter can only be set for p0402 = 9999. Refer to: p0402, p0410, p0433		
Note:	Negative gearbox factors should be implemented with p0410.		
p0433[0...n]	Gearbox factor motor/load revolutions / Grbx_fact mot_rev		
	Access level: 3	Calculated: -	Data type: Integer16
	Can be changed: C(4)	Scaling: -	Dyn. index: EDS, p0140
	Units group: -	Unit selection: -	Func. diagram: -
	Min	Max	Factory setting
	1	10000	1
Description:	Sets the motor and load revolutions for the gearbox factor of the encoder evaluation. The gearbox factor specifies the ratio between the encoder shaft and motor shaft (for motor encoders) or between the encoder shaft and the load.		
Dependency:	This parameter can only be set for p0402 = 9999. Refer to: p0402, p0410, p0432		
Note:	Negative gearbox factors should be implemented with p0410.		
p0434[0...n]	Encoder SSI error bit / Enc SSI error bit		
	Access level: 3	Calculated: -	Data type: Unsigned16
	Can be changed: C(4)	Scaling: -	Dyn. index: EDS, p0140
	Units group: -	Unit selection: -	Func. diagram: -
	Min	Max	Factory setting
	0	65535	0
Description:	Sets the position and level of the error bit in the SSI protocol.		
Notice:	The bit may only be positioned before (p0446) or after (p0448) the absolute value in the SSI protocol.		
Note:	Value = dcba ba: Position of the error bit in the protocol (0 ... 63). c: Level (0: Low level, 1: High level). d: Status of the evaluation (0: Off, 1: On with 1 error bit, 2: On with 2 error bits ... 9: On with 9 error bits). For several error error bits, the following applies: - the position specified under ba and the additional bits are assigned increasing consecutively. - the level set under c applies to all error bits. Example: p0434 = 1013 --> The evaluation is switched in and the error bit is at position 13 with a low level. p0434 = 1113 --> The evaluation is switched in and the error bit is at position 13 with a high level.		

p0435[0...n]	Encoder SSI alarm bit / Enc SSI alarm bit		
Access level: 3	Calculated: -	Data type: Unsigned16	
Can be changed: C(4)	Scaling: -	Dyn. index: EDS, p0140	
Units group: -	Unit selection: -	Func. diagram: -	
Min	Max	Factory setting	
0	65535	0	
Description:	Sets the position and level of the alarm bit in the SSI protocol.		
Notice:	The bit may only be positioned before (p0446) or after (p0448) the absolute value in the SSI protocol.		
Note:	Value = dcba ba: Position of the alarm bit in protocol (0 ... 63). c: Level (0: Low level, 1: High level). d: State of the evaluation (0: Off, 1: On). Example: p0435 = 1014 --> The evaluation is switched in and the alarm bit is at position 14 with a low level. p0435 = 1114 --> The evaluation is switched in and the alarm bit is at position 14 with a high level.		

p0436[0...n]	Encoder SSI parity bit / Enc SSI parity bit		
Access level: 3	Calculated: -	Data type: Unsigned16	
Can be changed: C(4)	Scaling: -	Dyn. index: EDS, p0140	
Units group: -	Unit selection: -	Func. diagram: -	
Min	Max	Factory setting	
0	65535	0	
Description:	Sets the position and parity of the parity bit in the SSI protocol.		
Notice:	The bit may only be positioned before (p0446) or after (p0448) the absolute value in the SSI protocol.		
Note:	Value = dcba ba: Position of the parity bit in the protocol (0 ... 63). c: Parity (0: even, 1: uneven). d: State of the evaluation (0: Off, 1: On). Example: p0436 = 1015 --> The evaluation is switched in and the parity bit is at position 15 with even parity. p0436 = 1115 --> The evaluation is switched in and the parity bit is at position 15 with uneven parity.		

p0437[0...n]	Sensor Module configuration extended / SM config ext			
Access level: 3	Calculated: -	Data type: Unsigned32		
Can be changed: C(4)	Scaling: -	Dyn. index: EDS, p0140		
Units group: -	Unit selection: -	Func. diagram: -		
Min	Max	Factory setting		
-	-	0011 0000 0000 0000 0000 1000 0000 0000 bin		
Description:	Sets the extended configuration of the Sensor Module.			
Bit field:	Bit	Signal name	1 signal	0 signal
	00	Data logger	Yes	No
	01	Zero mark edge detection	Yes	No
	02	Correction position actual value XIST1	Yes	No
	04	Edge evaluation bit 0	Yes	No
	05	Edge evaluation bit 1	Yes	No
	06	Freeze the speed actual value for dn/dt errors	Yes	No
	07	Accumulate uncorrected encoder pulses	Yes	No
	11	Fault handling after PROFIdrive	Yes	No
				FP
				-
				-
				-
				-
				-
				-
				-

2 Parameters

2.2 List of parameters

12	Activate additional messages	Yes	No	-
13	Support absolute position for incremental encoder	Yes	No	4750
25	Deselect monitoring multiturn representation in Gx_XIST2	Yes	No	-
26	Deselect track monitoring	Yes	No	-
28	EnDat linear encoder monitoring incremental/absolute	Yes	No	-
29	EnDat encoder initialization with high accuracy	Yes	No	-
31	Analog unipolar track monitoring	Yes	No	-

Dependency:

Refer to: p0430, r0459

Note:

A value of zero is displayed if an encoder is not present.

Re bit 00:

When the data logger (trace) is activated, in the case of a fault, data before and after the event are recorded (traced) and saved in files on the non-volatile memory medium. Experts can then evaluate this data.

Re bit 01:

If bit = 0, the zero mark is evaluated by ANDing tracks A and B and the zero mark.

For bit = 1, the zero mark is evaluated depending on the direction of rotation detected. For a positive direction of rotation, the positive edge of the zero mark is considered and for a negative direction of rotation, the negative edge of the zero mark.

Re bit 02:

If the bit is set, in the event of a deviation less than the tolerance window for the zero mark (p4681, p4682), the pulses per revolution are corrected. If the bit is not set, encoder fault F3x131 is triggered.

Re bits 05, 04:

The actual hardware only supports 1x or 4x signal evaluation.

Bit 5/4 = 0/0: Signal evaluation per period, 4x.

Bit 5/4 = 1/0: Illegal setting.

Bit 5/4 = 0/1: Signal evaluation per period, 1x.

Bit 5/4 = 1/1: Illegal setting.

Re bit 06:

If the function is active, when dn/dt monitoring responds, the speed actual value is internally frozen for a time equivalent to two current controller clock cycles. The rotor position continues to be integrated. The actual value is then re-enabled after this time has expired.

Re bit 07:

If the bit is set, the encoder pulses which have not been corrected are added to p4688 at the zero mark.

Re bit 11:

If the bit is set, the Sensor Module checks within a certain time grid whether the fault cause is still present. This enables the Sensor Module to switch from the fault state to the operating state and provide valid actual values automatically. The faults are displayed until the user acknowledges them.

Re bit 12:

Additional fault messages can be activated for extended fault diagnostics.

Re bit 13:

When the bit is set, for an incremental encoder with zero mark, the absolute value in Gn_XIST2 can be requested via Gn_STW.13.

Re bit 26:

Track monitoring is de-activated for the square-wave encoders when the bit is set, even if the monitoring function is selected in p0405.2.

Re bit 28:

Monitoring of the difference between incremental and absolute position in the case of linear encoders.

Re bit 29:

When the bit is set, the EnDat encoder is initialized under a certain speed and, therefore, with high accuracy. If initialization at a higher speed is requested, fault F31151, F32151, or F33151 is output.

Re bit 31:

When monitoring is active, the levels of the individual track signals and the corresponding inverted track signals are monitored separately.

p0438[0...n]	Squarewave encoder filter time / Enc t_filt		
	Access level: 3	Calculated: -	Data type: FloatingPoint32
	Can be changed: C(4)	Scaling: -	Dyn. index: EDS, p0140
	Units group: -	Unit selection: -	Func. diagram: -
	Min	Max	Factory setting
	0.00 [µs]	100.00 [µs]	0.64 [µs]
Description:	Sets the filter time for a squarewave encoder. The hardware of the squarewave encoder only supports the following values: 0: No filtering 0.04 µs 0.64 µs 2.56 µs 10.24 µs 20.48 µs		
Dependency:	Refer to: r0452		
Notice:	If the filter time is too long, the track signals A/B/R may be suppressed and the appropriate messages output.		
Note:	The most suitable filter time depends on the number of pulses and maximum speed of the square-wave encoder. The filter time is automatically corrected to the next value when entering a non-specified value. In this case, no message is output. The effective filter time is displayed in r0452.		
p0439[0...n]	Encoder ramp-up time / Enc ramp-up time		
	Access level: 3	Calculated: -	Data type: Unsigned16
	Can be changed: C(4)	Scaling: -	Dyn. index: EDS, p0140
	Units group: -	Unit selection: -	Func. diagram: -
	Min	Max	Factory setting
	0 [ms]	65535 [ms]	0 [ms]
Description:	Sets the ramp-up time for the encoder. The encoder supplies stable track signals once this time has elapsed.		
Note:	This parameter is automatically pre-set for encoders from the encoder list (p0400).		
p0440[0...n]	Copy encoder serial number / Copy enc ser_no		
	Access level: 3	Calculated: -	Data type: Integer16
	Can be changed: C(4)	Scaling: -	Dyn. index: EDS, p0140
	Units group: -	Unit selection: -	Func. diagram: -
	Min	Max	Factory setting
	0	1	0
Description:	Copies the actual serial number of the encoder belonging to this Encoder Data Set (EDS) to p0441 ... p0445. Example: For p0440[0] = 1, the serial number of the encoder belonging EDS0 is copied to p0441[0] ... p0445[0].		
Value:	0: No action 1: Transfer serial number		
Dependency:	Refer to: p0441, p0442, p0443, p0444, p0445, r0460, r0461, r0462, r0463, r0464		
Note:	For encoders with serial number, encoder replacement is monitored in order to request angular commutation calibration (adjustment) for motor encoders and absolute calibration for direct measuring systems with absolute value data. The serial number, which from then onwards is used for monitoring purposes, can be transferred using p0440. In the following cases, copying is automatically started in the following cases: 1.) When commissioning 1FT6, 1FK6, 1FK7 motors. 2.) When writing into p0431. 3.) For p1990 = 1. p0440 is automatically set to 0 when the copying has been completed. In order to permanently accept the copied values, it is necessary to save in a non-volatile fashion (p0977).		

p0441[0...n]	Encoder commissioning serial number part 1 / Enc comm ser_no 1		
	Access level: 4	Calculated: p0340 = 1	Data type: Unsigned32
	Can be changed: C(4)	Scaling: -	Dyn. index: EDS, p0140
	Units group: -	Unit selection: -	Func. diagram: -
	Min	Max	Factory setting
	0000 hex	FFFF FFFF hex	0000 hex
Description:	Serial number part 1 of the encoder for the commissioning.		
Dependency:	Refer to: p0440, p0442, p0443, p0444, p0445, r0460, r0461, r0462, r0463, r0464		
Note:	A value of zero is displayed if an encoder is not present.		

p0442[0...n]	Encoder commissioning serial number part 2 / Enc comm ser_no 2		
	Access level: 4	Calculated: p0340 = 1	Data type: Unsigned32
	Can be changed: C(4)	Scaling: -	Dyn. index: EDS, p0140
	Units group: -	Unit selection: -	Func. diagram: -
	Min	Max	Factory setting
	0000 hex	FFFF FFFF hex	0000 hex
Description:	Serial number part 2 of the encoder for the commissioning.		
Dependency:	Refer to: p0440, p0441, p0443, p0444, p0445, r0460, r0461, r0462, r0463, r0464		
Note:	A value of zero is displayed if an encoder is not present.		

p0443[0...n]	Encoder commissioning serial number part 3 / Enc comm ser_no 3		
	Access level: 4	Calculated: p0340 = 1	Data type: Unsigned32
	Can be changed: C(4)	Scaling: -	Dyn. index: EDS, p0140
	Units group: -	Unit selection: -	Func. diagram: -
	Min	Max	Factory setting
	0000 hex	FFFF FFFF hex	0000 hex
Description:	Serial number part 3 of the encoder for the commissioning.		
Dependency:	Refer to: p0440, p0441, p0442, p0444, p0445, r0460, r0461, r0462, r0463, r0464		
Note:	A value of zero is displayed if an encoder is not present.		

p0444[0...n]	Encoder commissioning serial number part 4 / Enc comm ser_no 4		
	Access level: 4	Calculated: p0340 = 1	Data type: Unsigned32
	Can be changed: C(4)	Scaling: -	Dyn. index: EDS, p0140
	Units group: -	Unit selection: -	Func. diagram: -
	Min	Max	Factory setting
	0000 hex	FFFF FFFF hex	0000 hex
Description:	Serial number part 4 of the encoder for the commissioning.		
Dependency:	Refer to: p0440, p0441, p0442, p0443, p0445, r0460, r0461, r0462, r0463, r0464		
Note:	A value of zero is displayed if an encoder is not present.		

p0445[0...n]	Encoder commissioning serial number part 5 / Enc comm ser_no 5		
	Access level: 4	Calculated: p0340 = 1	Data type: Unsigned32
	Can be changed: C(4)	Scaling: -	Dyn. index: EDS, p0140
	Units group: -	Unit selection: -	Func. diagram: -
	Min	Max	Factory setting
	0000 hex	FFFF FFFF hex	0000 hex
Description:	Serial number part 5 of the encoder for the commissioning.		
Dependency:	Refer to: p0440, p0441, p0442, p0443, p0444, r0460, r0461, r0462, r0463, r0464		
Note:	A value of zero is displayed if an encoder is not present.		

p0446[0...n]	Encoder SSI number of bits before the absolute value / Enc SSI bit before		
	Access level: 3	Calculated: -	Data type: Unsigned16
	Can be changed: C(4)	Scaling: -	Dyn. index: EDS, p0140
	Units group: -	Unit selection: -	Func. diagram: -
	Min	Max	Factory setting
	0	65535	0
Description:	Sets the number of bits before the absolute value in the SSI protocol.		
Notice:	When selecting a catalog encoder, this parameter cannot be changed (write protection). Information in p0400 should be carefully observed when removing write protection.		
Note:	This parameter is automatically pre-set for encoders from the encoder list (p0400). For example, error bit, alarm bit or parity bit can be positioned at these bits.		
p0447[0...n]	Encoder SSI number of bits absolute value / Enc SSI bit val		
	Access level: 3	Calculated: -	Data type: Unsigned16
	Can be changed: C(4)	Scaling: -	Dyn. index: EDS, p0140
	Units group: -	Unit selection: -	Func. diagram: -
	Min	Max	Factory setting
	0	65535	25
Description:	Sets the number of bits for the absolute value in the SSI protocol.		
Notice:	When selecting a catalog encoder, this parameter cannot be changed (write protection). Information in p0400 should be carefully observed when removing write protection.		
Note:	This parameter is automatically pre-set for encoders from the encoder list (p0400).		
p0448[0...n]	Encoder SSI number of bits after the absolute value / Enc SSI bit after		
	Access level: 3	Calculated: -	Data type: Unsigned16
	Can be changed: C(4)	Scaling: -	Dyn. index: EDS, p0140
	Units group: -	Unit selection: -	Func. diagram: -
	Min	Max	Factory setting
	0	65535	0
Description:	Sets the number of bits after the absolute value in the SSI protocol.		
Notice:	This parameter is automatically pre-set for encoders from the encoder list (p0400). When selecting a catalog encoder, this parameter cannot be changed (write protection). Information in p0400 should be carefully observed when removing write protection.		
Note:	For example, error bit, alarm bit or parity bit can be positioned at these bits.		
p0449[0...n]	Encoder SSI number of bits filler bits / Enc SSI fill bits		
	Access level: 3	Calculated: -	Data type: Unsigned16
	Can be changed: C(4)	Scaling: -	Dyn. index: EDS, p0140
	Units group: -	Unit selection: -	Func. diagram: -
	Min	Max	Factory setting
	0	65535	1
Description:	Sets the number of filler bits for double absolute value transfer in the SSI protocol.		
Dependency:	Refer to: p0429		
Notice:	This parameter is automatically pre-set for encoders from the encoder list (p0400). When selecting a catalog encoder, this parameter cannot be changed (write protection). Information in p0400 should be carefully observed when removing write protection.		
Note:	This parameter is only of significance for p0429.2 = 1.		

r0451[0...2]	Commutation angle factor / Enc commut_factor				
	Access level: 3	Calculated: -	Data type: Unsigned16		
	Can be changed: -	Scaling: -	Dyn. index: -		
	Units group: -	Unit selection: -	Func. diagram: 4710		
	Min	Max	Factory setting		
	-	-	-		
Description:	Displays the relationship between the electrical and mechanical pole positions.				
Index:	[0] = Encoder 1 [1] = Encoder 2 [2] = Reserved				
Note:	A value of zero is displayed if an encoder is not present.				
r0452[0...2]	Squarewave encoder filter time display / Enc t_filt displ				
	Access level: 3	Calculated: -	Data type: FloatingPoint32		
	Can be changed: -	Scaling: -	Dyn. index: -		
	Units group: -	Unit selection: -	Func. diagram: -		
	Min	Max	Factory setting		
	- [µs]	- [µs]	- [µs]		
Description:	Displays the effective filter time for a squarewave encoder. The filter time is set using p0438.				
Index:	[0] = Encoder 1 [1] = Encoder 2 [2] = Reserved				
Dependency:	Refer to: p0438				
Note:	A value of zero is displayed if an encoder is not present.				
p0453[0...n]	Pulse encoder evaluation zero speed measuring time / Enc_ev n_0 t_meas				
	Access level: 3	Calculated: -	Data type: FloatingPoint32		
	Can be changed: C(4)	Scaling: -	Dyn. index: EDS, p0140		
	Units group: -	Unit selection: -	Func. diagram: -		
	Min	Max	Factory setting		
	0.10 [ms]	10000.00 [ms]	1000.00 [ms]		
Description:	Sets the measuring time for evaluating zero speed. If no pulses are detected from track A/B during this time, a speed actual value of zero is output.				
Dependency:	Refer to: r0452				
Note:	This function is required for slow-running motors so that actual speeds close to zero can be output correctly.				
r0455[0...2]	Encoder configuration recognized / Enc config act				
	Access level: 3	Calculated: -	Data type: Unsigned32		
	Can be changed: -	Scaling: -	Dyn. index: -		
	Units group: -	Unit selection: -	Func. diagram: -		
	Min	Max	Factory setting		
	-	-	-		
Description:	Displays the detected encoder configuration. In this case, the encoder must automatically support the function (e.g. encoder with EnDat interface).				
Index:	[0] = Encoder 1 [1] = Encoder 2 [2] = Reserved				
Bit field:	Bit	Signal name	1 signal	0 signal	FP
	00	Linear encoder	Yes	No	-
	01	Absolute encoder	Yes	No	-
	02	Multiturn encoder	Yes	No	-
	03	Track A/B sq-wave	Yes	No	-
	04	Track A/B sine	Yes	No	-

05	Track C/D	Yes	No	-
06	Hall sensor	Yes	No	-
08	EnDat encoder	Yes	No	-
09	SSI encoder	Yes	No	-
10	DRIVE-CLiQ encoder	Yes	No	-
11	Digital encoder	Yes	No	-
12	Equidistant zero mark	Yes	No	-
13	Irregular zero mark	Yes	No	-
14	Distance-coded zero mark	Yes	No	-
15	Commutation with zero mark (not ASM)	Yes	No	-
16	Acceleration	Yes	No	-
17	Track A/B analog	Yes	No	-
20	Voltage level 5 V	Yes	No	-
21	Voltage level 24 V	Yes	No	-
22	Remote sense (only SMC30)	Yes	No	-
23	Resolver excit	Yes	No	-

Dependency:

Refer to: p0404

Note:

ZM: Zero mark

This parameter is only used for diagnostics.

A value of zero is displayed if an encoder is not present.

Re bit 20, 21 (voltage level 5 V, voltage level 24 V):

The voltage level cannot be detected. Therefore, these bits are always set to 0.

r0456[0...2] Encoder configuration supported / Enc_config supp

Access level: 3	Calculated: -	Data type: Unsigned32
Can be changed: -	Scaling: -	Dyn. index: -
Units group: -	Unit selection: -	Func. diagram: -
Min	Max	Factory setting
-	-	-

Description:

Displays the encoder configuration supported by the Sensor Module.

Index:

[0] = Encoder 1

[1] = Encoder 2

[2] = Reserved

Bit field:

Bit	Signal name	1 signal	0 signal	FP
00	Linear encoder	Yes	No	-
01	Absolute encoder	Yes	No	-
02	Multiturn encoder	Yes	No	-
03	Track A/B sq-wave	Yes	No	-
04	Track A/B sine	Yes	No	-
05	Track C/D	Yes	No	-
06	Hall sensor	Yes	No	-
08	EnDat encoder	Yes	No	-
09	SSI encoder	Yes	No	-
10	DRIVE-CLiQ encoder	Yes	No	-
11	Digital encoder	Yes	No	-
12	Equidistant zero mark	Yes	No	-
13	Irregular zero mark	Yes	No	-
14	Distance-coded zero mark	Yes	No	-
15	Commutation with zero mark (not ASM)	Yes	No	-
16	Acceleration	Yes	No	-
17	Track A/B analog	Yes	No	-
20	Voltage level 5 V	Yes	No	-
21	Voltage level 24 V	Yes	No	-
22	Remote sense (only SMC30)	Yes	No	-
23	Resolver excit	Yes	No	-

Dependency:

Refer to: p0404

Note:

ZM: Zero mark

This parameter is only used for diagnostics.

A value of zero is displayed if an encoder is not present.

r0458[0...2] Sensor Module properties / SM properties					
	Access level: 3	Calculated: -	Data type: Unsigned32		
	Can be changed: -	Scaling: -	Dyn. index: -		
	Units group: -	Unit selection: -	Func. diagram: 4704		
	Min	Max	Factory setting		
	-	-	-		
Description:	Sets the Sensor Module configuration.				
Index:	[0] = Encoder 1 [1] = Encoder 2 [2] = Reserved				
Bit field:	Bit	Signal name	1 signal	0 signal	FP
	00	Encoder data available	Yes	No	-
	01	Motor data available	Yes	No	-
	02	Temperature sensor connection available	Yes	No	-
	03	Connection for PTC for motor with DRIVE-CLiQ also available	Yes	No	-
	04	Module temperature available	Yes	No	-
	05	Absolute encoder p0408/p0421 no power of 2	Yes	No	-
	06	Sensor Module permits parking/unparking	Yes	No	-
	07	Hall sensor can be combined with actual value inversion	Yes	No	-
	08	Evaluation through several temperature channels possible	Yes	No	-
	09	Encoder fault and its associated information available	Yes	No	-
	10	Speed diagnostics in the Sensor Module	Yes	No	-
	11	Configuring without park state possible	Yes	No	-
	12	Extended functions available	Yes	No	-
	13	Extended encoder fault handling	Yes	No	-
	14	Extended singleturn/multiturn information available	Yes	No	-
	15	Evaluation function reserve	Yes	No	-
	16	Pole position identification	Yes	No	-
	17	Burst oversampling	Yes	No	-
	18	Continuous oversampling	Yes	No	-
	19	Safety position actual value sensing	Yes	No	-
	20	Extended speed calculation being used (only SMC30)	Yes	No	-
	21	Zero mark tolerance	Yes	No	-
	22	Rot pos adapt	Yes	No	-
	23	Commutation with zero mark can be de-selected	Yes	No	-
	24	Commutation with selected zero mark	Yes	No	-
	25	Disconnection of encoder power supply on parking supported	Yes	No	-
	26	Parking with temperature evaluation	Yes	No	-
	27	SSI position value extrapolation	Yes	No	-
	28	Cubic correction	Yes	No	-
	29	Phase correction	Yes	No	-
	30	Amplitude correction	Yes	No	-
	31	Offset correction	Yes	No	-
Dependency:	Refer to: p0437, p0600, p0601				
Note:	A value of zero is displayed if an encoder is not present.				
	Re bit 11: When the property is set, the following parameters can be changed without the actual value in the encoder interface becoming invalid (state r0481.14 = 1 "parking encoder active"): p0314, p0315, p0430, p0431, p0441, p0442, p0443, p0444, p0445				
	Re bit 12: The extended functions can be configured using p0437.				

Re bit 13:

Encoder faults can be acknowledged via Gn_STW.15.

Re bit 14:

Only for internal Siemens use.

Re bit 23:

When the property is set, commutation with zero mark can be de-selected using p0430.23.

Re bit 24:

If the property is set, commutation to the selected zero mark can be carried out.

r0459[0...2]**Sensor Module properties extended / SM prop ext**

Access level: 3	Calculated: -	Data type: Unsigned32
Can be changed: -	Scaling: -	Dyn. index: -
Units group: -	Unit selection: -	Func. diagram: -
Min	Max	Factory setting
-	-	-

Description:

Displays the extended properties supported by the Sensor Module.

Index:

[0] = Encoder 1
[1] = Encoder 2
[2] = Reserved

Bit field:

Bit	Signal name	1 signal	0 signal	FP
00	Data logger	Yes	No	-
01	Zero mark edge detection	Yes	No	-
02	Correction position actual value XIST1	Yes	No	-
04	Edge evaluation bit 0	Yes	No	-
05	Edge evaluation bit 1	Yes	No	-
06	Freeze the speed actual value for dn/dt errors	Yes	No	-
07	Accumulate uncorrected encoder pulses	Yes	No	-
09	Function p0426, p0439 supported	Yes	No	-
10	Pulse/direction interface	Yes	No	-
11	Fault handling after PROFIdrive	Yes	No	-
12	Activate additional messages	Yes	No	-
13	Absolute position for incremental encoder supported	Yes	No	-
14	Spindle functionality	Yes	No	-
15	Additional temperature sensor available	Yes	No	-
16	Internal encoder temperature available	Yes	No	-
17	Extended multiturn resolution	Yes	No	-
24	Multiturn via battery	Yes	No	-
25	Deselect monitoring multiturn representation in Gx_XIST2	Yes	No	-
26	Track monitoring de-selection	Yes	No	-
28	EnDat linear encoder monitoring incremental/absolute	Yes	No	-
29	EnDat encoder initialization with high accuracy	Yes	No	-
31	Analog unipolar track monitoring	Yes	No	-

Dependency:

Refer to: p0437

Note:

A value of zero is displayed if an encoder is not present.

Re bit 09:

Parameter p0426 or p0439 has been modified. These functions are not supported by the connected Sensor Module.

2 Parameters

2.2 List of parameters

r0460[0...2]	Encoder serial number part 1 / Enc ser_no 1		
	Access level: 3	Calculated: -	Data type: Unsigned32
	Can be changed: -	Scaling: -	Dyn. index: -
	Units group: -	Unit selection: -	Func. diagram: -
	Min	Max	Factory setting
	-	-	-
Description:	Displays the actual serial number part 1 of the appropriate encoder.		
Index:	[0] = Encoder 1 [1] = Encoder 2 [2] = Reserved		
Dependency:	Refer to: p0441, p0442, p0443, p0444, p0445, r0461, r0462, r0463, r0464		
<hr/>			
r0461[0...2]	Encoder serial number part 2 / Enc ser_no 2		
	Access level: 3	Calculated: -	Data type: Unsigned32
	Can be changed: -	Scaling: -	Dyn. index: -
	Units group: -	Unit selection: -	Func. diagram: -
	Min	Max	Factory setting
	-	-	-
Description:	Displays the actual serial number part 2 of the appropriate encoder.		
Index:	[0] = Encoder 1 [1] = Encoder 2 [2] = Reserved		
Dependency:	Refer to: p0441, p0442, p0443, p0444, p0445, r0460, r0462, r0463, r0464		
<hr/>			
r0462[0...2]	Encoder serial number part 3 / Enc ser_no 3		
	Access level: 3	Calculated: -	Data type: Unsigned32
	Can be changed: -	Scaling: -	Dyn. index: -
	Units group: -	Unit selection: -	Func. diagram: -
	Min	Max	Factory setting
	-	-	-
Description:	Displays the actual serial number part 3 of the appropriate encoder.		
Index:	[0] = Encoder 1 [1] = Encoder 2 [2] = Reserved		
Dependency:	Refer to: p0441, p0442, p0443, p0444, p0445, r0460, r0461, r0463, r0464		
<hr/>			
r0463[0...2]	Encoder serial number part 4 / Enc ser_no 4		
	Access level: 3	Calculated: -	Data type: Unsigned32
	Can be changed: -	Scaling: -	Dyn. index: -
	Units group: -	Unit selection: -	Func. diagram: -
	Min	Max	Factory setting
	-	-	-
Description:	Displays the actual serial number part 4 of the appropriate encoder.		
Index:	[0] = Encoder 1 [1] = Encoder 2 [2] = Reserved		
Dependency:	Refer to: p0441, p0442, p0443, p0444, p0445, r0460, r0461, r0462, r0464		

r0464[0...2]	Encoder serial number part 5 / Enc ser_no 5		
	Access level: 3	Calculated: -	Data type: Unsigned32
	Can be changed: -	Scaling: -	Dyn. index: -
	Units group: -	Unit selection: -	Func. diagram: -
	Min	Max	Factory setting
	-	-	-
Description:	Displays the actual serial number part 5 of the appropriate encoder.		
Index:	[0] = Encoder 1 [1] = Encoder 2 [2] = Reserved		
Dependency:	Refer to: p0441, p0442, p0443, p0444, p0445, r0460, r0461, r0462, r0463		
r0465[0...27]	Encoder 1 identification number/serial number / Enc1 ID_no/Ser_no		
	Access level: 3	Calculated: -	Data type: Unsigned8
	Can be changed: -	Scaling: -	Dyn. index: -
	Units group: -	Unit selection: -	Func. diagram: -
	Min	Max	Factory setting
	-	-	-
Description:	Displays the identification/serial number of encoder 1. Index 0 = first character of the identification number ... Index x = 20 hex (blank) --> separation between the identification number of serial number Index x + 1 = 2F hex (slash) --> separation between the identification number of serial number Index x + 2 = 20 hex (blank) --> separation between the identification number of serial number Index x + 3 = first character of the serial number ... Index y with contents = last character of the serial number		
Dependency:	Refer to: r0460, r0461, r0462, r0463, r0464		
Notice:	An ASCII table (excerpt) can be found, for example, in the appendix to the List Manual.		
Note:	The individual characters of the identification number/serial number are available coded as ASCII characters.		
r0466[0...27]	Encoder 2 identification number/serial number / Enc2 ID_no/Ser_no		
	Access level: 3	Calculated: -	Data type: Unsigned8
	Can be changed: -	Scaling: -	Dyn. index: -
	Units group: -	Unit selection: -	Func. diagram: -
	Min	Max	Factory setting
	-	-	-
Description:	Displays the identification/serial number of encoder 2. Index 0 = first character of the identification number ... Index x = 20 hex (blank) --> separation between the identification number of serial number Index x + 1 = 2F hex (slash) --> separation between the identification number of serial number Index x + 2 = 20 hex (blank) --> separation between the identification number of serial number Index x + 3 = first character of the serial number ... Index y with contents = last character of the serial number		
Dependency:	Refer to: r0460, r0461, r0462, r0463, r0464		
Notice:	An ASCII table (excerpt) can be found, for example, in the appendix to the List Manual.		
Note:	The individual characters of the identification number/serial number are available coded as ASCII characters.		

p0468[0...n]	Encoder interface / Encoder interface		
	Access level: 3	Calculated: -	Data type: Integer16
	Can be changed: C(1, 4)	Scaling: -	Dyn. index: EDS, p0140
	Units group: -	Unit selection: -	Func. diagram: -
	Min	Max	Factory setting
	0	3	[0] 1 [1] 2
Description:	Selecting the encoder interface.		
Value:	0: No encoder 1: Terminal interface 2: D-SUB interface 3: DRIVE-CLiQ interface		
Dependency:	Refer to: p0400		
Notice:	If the encoder interface p0468[x] is reconfigured, the encoder configuration is reset p0400[x] = 0.		
Note:	For quick commissioning, an encoder connected via the DRIVE-CLiQ interface is automatically used as motor encoder, and is set in p0468[0] = 3.		

r0477[0...2]	CO: Measuring gear position difference / Meas gear pos diff		
	Access level: 1	Calculated: -	Data type: Integer32
	Can be changed: -	Scaling: -	Dyn. index: -
	Units group: -	Unit selection: -	Func. diagram: -
	Min	Max	Factory setting
	-	-	-
Description:	Displays the position difference before the measuring gear between powering down and powering up.		
Index:	[0] = Encoder 1 [1] = Encoder 2 [2] = Reserved		
Note:	The increments are displayed in the format the same as r0483. The position difference should be read in encoder increments.		

r0479[0...2]	CO: Diagnostics encoder position actual value Gn_XIST1 / Diag Gn_XIST1		
	Access level: 3	Calculated: -	Data type: Integer32
	Can be changed: -	Scaling: -	Dyn. index: -
	Units group: -	Unit selection: -	Func. diagram: 4704
	Min	Max	Factory setting
	-	-	-
Description:	Display and connector output for the encoder actual position value Gn_XIST1 according to PROFIdrive for diagnostics. In contrast to r0482, the value is updated in each DRIVE-CLiQ basic clock cycle and displayed with sign.		
Index:	[0] = Encoder 1 [1] = Encoder 2 [2] = Reserved		
Caution:	Following ramping-up or after a data set changeover, the new value is present at connector inputs which are interconnected to connector output r0479 and under certain circumstances take 100 ms to become available. Reason: These interconnections are updated in the background, unlike interconnections involving other connector outputs (e.g. CO: r0482). The value is immediately available when non-cyclically reading r0479 (e.g. via the expert list).		



p0480[0...2]	CI: Encoder control word Gn_STW signal source / Enc Gn_STW S_src		
Access level: 3	Calculated: -	Data type: U32 / Integer16	
Can be changed: T	Scaling: -	Dyn. index: -	
Units group: -	Unit selection: -	Func. diagram: 4720, 4750	
Min	Max	Factory setting	
-	-	[0] 0	
		[1] 0	
		[2] 0	
Description:	Sets the signal source for the encoder control word Gn_STW according to PROFIdrive.		
Index:	[0] = Encoder 1 [1] = Encoder 2 [2] = Reserved		

p0480[0...2]	CI: Encoder control word Gn_STW signal source / Enc Gn_STW S_src		
CU250S_V (Pos ctrl)	Access level: 3	Calculated: -	Data type: U32 / Integer16
CU250S_V_CAN (Pos ctrl)	Can be changed: T	Scaling: -	Dyn. index: -
CU250S_V_DP (Pos ctrl)	Units group: -	Unit selection: -	Func. diagram: 4720, 4750
CU250S_V_PN (Pos ctrl)	Min	Max	Factory setting
	-	-	[0] 2520[0]
			[1] 2520[1]
			[2] 2520[2]
Description:	Sets the signal source for the encoder control word Gn_STW according to PROFIdrive.		
Index:	[0] = Encoder 1 [1] = Encoder 2 [2] = Reserved		

r0481[0...2]	CO: Encoder status word Gn_ZSW / Enc Gn_ZSW				
Access level: 3	Calculated: -	Data type: Unsigned16			
Can be changed: -	Scaling: -	Dyn. index: -			
Units group: -	Unit selection: -	Func. diagram: 4010, 4704, 4730, 4750			
Min	Max	Factory setting			
-	-	-			
Description:	Displays the encoder status word Gn_ZSW according to PROFIdrive.				
Index:	[0] = Encoder 1 [1] = Encoder 2 [2] = Reserved				
Bit field:	Bit	Signal name	1 signal	0 signal	FP
	00	Function 1 active	Yes	No	-
	01	Function 2 active	Yes	No	-
	02	Function 3 active	Yes	No	-
	03	Function 4 active	Yes	No	-
	04	Value 1	Displayed in r0483	Not present	-
	05	Value 2	Displayed in r0483	Not present	-
	06	Value 3	Displayed in r0483	Not present	-
	07	Value 4	Displayed in r0483	Not present	-
	08	Measuring probe 1 deflected	Yes	No	-
	09	Measuring probe 2 deflected	Yes	No	-
	11	Encoder fault acknowledge active	Yes	No	9676
	13	Absolute value cyclically	Displayed in r0483	No	-
	14	Parking encoder active	Yes	No	-
	15	Encoder fault	Displayed in r0483	None	-
Notice:	Information on Gn_STW/Gn_ZSW can, e.g. be found in the following literature: SINAMICS S120 Function Manual Drive Functions				

2 Parameters

2.2 List of parameters

Note: Re bit 14:
Displays the acknowledgement for "activate parking encoder" (Gn_STW.14 = 1) or encoder position actual value (Gn_XIST1) invalid.
Re bit 14, 15:
r0481.14 = 1 and r0481.15 = 0 can have one of the following causes:
- the encoder is parked.
- the encoder is de-activated.
- the encoder is being commissioned.
- no parameterized encoder available.
- encoder data set is being changed over.
r0481.14 = 1 and r0481.15 = 1 has the following significance:
An encoder error has occurred and the encoder position actual value (Gn_XIST1) is invalid.

r0482[0...2]	CO: Encoder actual position value Gn_XIST1 / Enc Gn_XIST1		
Access level: 3	Calculated: -	Data type: Unsigned32	
Can be changed: -	Scaling: -	Dyn. index: -	
Units group: -	Unit selection: -	Func. diagram: 4700, 4702, 4704, 4735, 4740, 4750	
Min	Max	Factory setting	
-	-	-	

Description: Display and connector output for the encoder actual position value Gn_XIST1 according to PROFIdrive.

Index:
[0] = Encoder 1
[1] = Encoder 2
[2] = Reserved

Note:
- this value is reset if necessary when the "parking encoder" (r0481.14) function is de-selected.
- in this value, the measuring gear (p0432, p0433) is only taken into account when the position tracking is activated (p0411.0 = 1).
- The update time for the position control (EPOS) corresponds to the position controller clock cycle.
- The update time in isochronous operation corresponds to the bus cycle time r2064[1].
- The update time in isochronous operation and with position control (EPOS) corresponds to the position controller clock cycle.
- The update time in non-isochronous operation or without position control (EPOS) comprises the following:
Update time = 4 * least common multiple (LCM) of all current controller clock cycles in the drive group (infeed + drives). The minimum update time is 1 ms.

r0483[0...2]	CO: Encoder actual position value Gn_XIST2 / Enc Gn_XIST2		
Access level: 3	Calculated: -	Data type: Unsigned32	
Can be changed: -	Scaling: -	Dyn. index: -	
Units group: -	Unit selection: -	Func. diagram: 4704, 4750	
Min	Max	Factory setting	
-	-	-	

Description: Displays the encoder actual position value Gn_XIST2 according to PROFIdrive.

Recommend.: Possible causes:
Re Error code = 4097, 4098: Defective Control Unit hardware.
Re Error codes = 4099, 4100: Too many measuring pulses have occurred.

Index:
[0] = Encoder 1
[1] = Encoder 2
[2] = Reserved

Notice: The encoder position actual value must be requested using the encoder control word Gn_STW.13.

Note:
- in this value, the measuring gear (p0432, p0433) is only taken into account when the position tracking is activated (p0411.0 = 1).
- if GxZSW.15 = 1 (r0481), then an error code with the following significance is located in Gx_XIST2 (r0483):
1: Encoder fault.
2: Possible position shift in Gx_XIST1.
3: Encoder parking not possible.

- 4: Cancellation, reference block search (e.g. reference mark not available or input terminal for external zero mark not set). Zero mark is requested, however according to p0404.12/13/14 there is no zero mark (alarm A07565).
- 5: Cancellation, fetch reference value (e.g. illegal change from reference mark search to flying measurement).
- 6: Cancellation, flying measurement (e.g. input terminal for probe not set).
- 7: Cancellation, fetch measured value (e.g. illegal change from flying measurement to reference mark search).
- 8: Abort, absolute value transfer.
- 3841: Function not supported.
- 4097: Abort, reference mark search due to an initialization error.
- 4098: Abort, flying measurement due to an initialization error.
- 4099: Abort, reference mark search due to a measuring error.
- 4100: Abort, flying measurement due to a measuring error.

r0485[0...2]	CO: Measuring gear encoder raw value incremental / Enc raw val incr		
	Access level: 1	Calculated: -	Data type: Unsigned32
	Can be changed: -	Scaling: -	Dyn. index: -
	Units group: -	Unit selection: -	Func. diagram: -
	Min	Max	Factory setting
	-	-	-
Description:	Displays the raw value of the incremental encoder actual value before the measuring gear.		
Index:	[0] = Encoder 1 [1] = Encoder 2 [2] = Reserved		

r0486[0...2]	CO: Measuring gear encoder raw value absolute / Enc raw val abs		
	Access level: 1	Calculated: -	Data type: Unsigned32
	Can be changed: -	Scaling: -	Dyn. index: -
	Units group: -	Unit selection: -	Func. diagram: -
	Min	Max	Factory setting
	-	-	-
Description:	Displays the raw value of the absolute encoder actual value before the measuring gear.		
Index:	[0] = Encoder 1 [1] = Encoder 2 [2] = Reserved		

r0487[0...2]	Diagnostic encoder control word Gn_STW / Enc Gn_STW				
	Access level: 3	Calculated: -	Data type: Unsigned16		
	Can be changed: -	Scaling: -	Dyn. index: -		
	Units group: -	Unit selection: -	Func. diagram: 1580, 4704, 4720, 4740		
	Min	Max	Factory setting		
	-	-	-		
Description:	Displays the encoder control word Gn_STW according to PROFIdrive for diagnostics.				
Index:	[0] = Encoder 1 [1] = Encoder 2 [2] = Reserved				
Bit field:	Bit	Signal name	1 signal	0 signal	FP
	00	Request function 1	Yes	No	-
	01	Request function 2	Yes	No	-
	02	Request function 3	Yes	No	-
	03	Request function 4	Yes	No	-
	04	Request command bit 0	Yes	No	-
	05	Request command bit 1	Yes	No	-
	06	Request command bit 2	Yes	No	-
	07	Flying measurement mode/search for reference mark	Flying measurement	Reference marks	-

2 Parameters

2.2 List of parameters

13	Request absolute value cyclic	Yes	No	-
14	Request parking encoder	Yes	No	-
15	Request acknowledge encoder fault	Yes	No	-


Notice: Information on Gn_STW/Gn_ZSW should be taken from the corresponding product documentation.

Note: The signal source for the encoder control word is set with p0480.

p0488[0...2]	Measuring probe 1 input terminal / Meas probe 1 inp		
	Access level: 3	Calculated: -	Data type: Integer16
	Can be changed: U, T	Scaling: -	Dyn. index: -
	Units group: -	Unit selection: -	Func. diagram: 4740
	Min	Max	Factory setting
	0	27	0
Description:	Sets the input terminal to connect probe 1.		
Value:	0: No meas probe 24: DI/DO 24 (X208-3) 25: DI/DO 25 (X208-4) 26: DI/DO 26 (X208-5) 27: DI/DO 27 (X208-6)		
Index:	[0] = Encoder 1 [1] = Encoder 2 [2] = Reserved		
Dependency:	Refer to: p0489, p0490, p0728		
Notice:	To the terminal designation: The first designation is valid for CU320, the second for CU310. To select the values: For CX32, NX10 and NX15, only DI/DO 8, 9, 10, 11 can be selected as fast inputs (refer to the Equipment Manual).		
Note:	DI/DO: Bidirectional Digital Input/Output The terminal must be set as input (p0728). Refer to the encoder interface for PROFIdrive. If parameterization is rejected, check whether the terminal is already being used in p0580, p0680, p2517 or p2518.		

p0489[0...2]	Measuring probe 2 input terminal / Meas probe 2 inp		
	Access level: 3	Calculated: -	Data type: Integer16
	Can be changed: U, T	Scaling: -	Dyn. index: -
	Units group: -	Unit selection: -	Func. diagram: -
	Min	Max	Factory setting
	0	27	0
Description:	Sets the input terminal to connect probe 2.		
Value:	0: No meas probe 24: DI/DO 24 (X208-3) 25: DI/DO 25 (X208-4) 26: DI/DO 26 (X208-5) 27: DI/DO 27 (X208-6)		
Index:	[0] = Encoder 1 [1] = Encoder 2 [2] = Reserved		
Dependency:	Refer to: p0488, p0490, p0728		
Note:	DI: Digital Input		

p0490	Invert measuring probe or equivalent zero mark / Pr or ZM_equiv inv			
	Access level: 3	Calculated: -	Data type: Unsigned32	
	Can be changed: U, T	Scaling: -	Dyn. index: -	
	Units group: -	Unit selection: -	Func. diagram: 4740	
	Min	Max	Factory setting	
	-	-	0000 0000 0000 0000 0000 0000 0000 0000 0000 bin	
Description:	Setting to invert the digital input signals to connect a measuring probe or an equivalent zero mark.			
Bit field:	Bit	Signal name	1 signal	0 signal
	24	Reserved	Inverted	Not inverted
	25	Reserved	Inverted	Not inverted
	26	Reserved	Inverted	Not inverted
	27	Reserved	Inverted	Not inverted
Dependency:	Refer to: p0488, p0489, p0493, p0728			
Notice:	To select the values: For CX32, NX10 and NX15, only DI/DO 8, 9, 10, 11 can be selected as fast inputs (refer to the Equipment Manual). To the terminal designation: The first designation is valid for CU320, the second for CU310.			
Note:	The terminal must be set as input. When the measuring probe or the equivalent zero mark is inverted, this has no effect on the status displays of the digital inputs (r0721, r0722, r0723). DI/DO: Bidirectional Digital Input/Output			

p0491	Motor encoder fault response ENCODER / Fault resp ENCODER			
	Access level: 3	Calculated: -	Data type: Integer16	
	Can be changed: T	Scaling: -	Dyn. index: -	
	Units group: -	Unit selection: -	Func. diagram: -	
	Min	Max	Factory setting	
	0	5	0	
Description:	Sets the behavior for the ENCODER fault response (motor encoder). This means, for example, if an encoder fault occurs, encoderless operation can be automatically selected with a shutdown behavior that can be selected.			
Value:	0: Encoder fault results in OFF2 1: Enc fault results in encoderless oper. and oper. continues 2: Encoder fault results in encoderless operation and OFF1 3: Encoder fault results in encoderless operation and OFF3 4: Encoder fault results in DC braking 5: Enc fault results in encoderless op, operation continues, alarm			
Dependency:	The following parameters are relevant for encoderless operation.			
Caution:	For a value = 1, 2, 3, 5 the following applies: - encoderless operation must have been started. For a value = 1, the following applies: - in spite of the motor encoder fault that has occurred, the motor continues to operate.			
				
Note:	For a value = 1, 2, 3, 5 the following applies: - Refer to the status signal "encoderless operation due to a fault" (BO: r1407.13). - If, with r1407.13 = 1, a different drive data set is selected (e.g. interconnection from p0820), then the open-loop or closed-loop control type p1300 of this data set must match that of the original data set (e.g. p1300 = 21). Encoderless closed-loop controlled operation is kept when changing over. For a value = 4, the following applies: - the value can only be set for all data sets when p1231 = 4 - DC braking must be commissioned (p1232, p1233, p1234). For a value = 5, the following applies: Same function as for value = 1. However, encoder faults are output as alarm and the message bit "Fault active" (r2139.3) is not set. The encoder fault has to be acknowledged via the encoder interface in order to resume operation with encoder.			

p0492	Maximum speed difference per sampling cycle / n_dif max/samp_cyc		
	Access level: 3	Calculated: p0340 = 1,3	Data type: FloatingPoint32
	Can be changed: U, T	Scaling: -	Dyn. index: -
	Units group: -	Unit selection: -	Func. diagram: -
	Min	Max	Factory setting
	0.00 [rpm]	210000.00 [rpm]	0.00 [rpm]
Description:	Sets the maximum permissible speed difference within the current controller sampling time.		
Dependency:	Refer to: r1408		
Note:	For a value of 0.0, the speed change monitoring is disabled. If the speed difference exceeds the threshold value p0492, depending on p0491, either encoderless closed-loop speed/torque control is selected or the drive is powered down with fault F3x118.		

p0493[0...n]	Zero mark selection input terminal / ZM_sel inp_term		
	Access level: 3	Calculated: -	Data type: Integer16
	Can be changed: U, T	Scaling: -	Dyn. index: EDS, p0140
	Units group: -	Unit selection: -	Func. diagram: -
	Min	Max	Factory setting
	0	27	0
Description:	Sets the input terminal for selecting the reference mark via BERO/switching signal when performing referencing with several zero marks. The encoder interface supplies the position of the reference mark, which was detected immediately after the positive edge of the BERO signal.		
Value:	0: No meas probe 24: DI/DO 24 (X208-3) 25: DI/DO 25 (X208-4) 26: DI/DO 26 (X208-5) 27: DI/DO 27 (X208-6)		
Dependency:	Refer to: p0490		
Note:	Refer to the encoder interface for PROFIdrive. The terminal must be set as input (p0728). For p0493 = 0 (factory setting) the following applies: - there is no logic operation between the reference mark search and an input signal. For p0493 > 0, the following applies: - the positive edge of the input signal is evaluated. If the negative edge is to be evaluated, signal inversion must be parameterized via p0490. - if a parameter change is rejected, a check should be performed as to whether the input terminal is already being used in p0580, p0680, p2517, or p2518.		

p0494[0...n]	Equivalent zero mark input terminal / ZM_equiv inp_term		
	Access level: 3	Calculated: -	Data type: Integer16
	Can be changed: U, T	Scaling: -	Dyn. index: EDS, p0140
	Units group: -	Unit selection: -	Func. diagram: -
	Min	Max	Factory setting
	0	27	0
Description:	Selects the input terminal for connecting an equivalent zero mark (external encoder zero mark).		
Value:	0: No meas probe 24: DI/DO 24 (X208-3) 25: DI/DO 25 (X208-4) 26: DI/DO 26 (X208-5) 27: DI/DO 27 (X208-6)		
Dependency:	Refer to: p0490		
Note:	Refer to the encoder interface for PROFIdrive. The terminal must be set as input.		

p0496[0...2]		Encoder diagnostic signal selection / Enc diag select	
Access level:	4	Calculated:	-
Can be changed:	U, T	Scaling:	-
Units group:	-	Unit selection:	-
Min	0	Max	86
		Factory setting	0
Description:	Selects the trace signal to be output in r0497, r0498 and r0499 for encoder diagnostics.		
Value:	0: Inactive 1: r0497: Mechanical revolution 10: r0498: Raw value track A, r0499: Raw value track B 11: r0498: Fine position X (-A/2), r0499: Fine position Y (-B/2) 12: r0498: Fine position Phi, r0499: - 13: r0498: Offset correction X, r0499: Offset correction Y 14: r0498: Phase correction X, r0499: Amplitude correction Y 15: r0498: Cubic correction X, r0499: Fine position X 16: r0498: oversampling channel A, r0499: oversampling channel B 17: r0498: fan-out amount, r0499: fan-out number 18: r0498: Oversampling angle, r0499: Oversampling amount 19: r0498: Fault counter AB, r0499: raw value track A 20: r0498: Raw value track C, r0499: Raw value track D 21: r0498: CD position X (-D/2), r0499: CD position Y (C/2) 22: r0498: CD position Phi, r0499: CD pos. Phi - mech. revolution 23: r0497: Zero mark status 24: r0498: Raw value track R, r0499: Zero mark status 25: r0498: Raw value track A, r0499: Raw value track R 30: r0497: Absolute position serial 31: r0497: Absolute position incremental 32: r0497: Zero mark position 33: r0497: Correction absolute position difference 40: r0498: Raw temperature, r0499: Temperature in 0.1 °C 41: r0498: Resistance in 0.1 Ohm, r0499: Temperature in 0.1 °C 42: r0497: Resistance 2500 Ohm 51: r0497: Absolute speed difference (dn/dt) 52: r0497: Xact1 corrected quadrants 60: Analog sensor: r0498: raw val chann. A, r0499: raw val chann. B 61: Analog sensor: r0498: fine pos chann. A, r0499: fine pos chann. B 62: Analog sensor: r0498: Fine pos before characteristic, r0499: - 70: Resolver: r0498: Transformation ratio, r0499: phase 80: Spindle: r0498: Sensor S1 (raw), r0499: Sensor S4 (raw) 81: Spindle: r0498: Sensor S5 (raw), r0499: - 85: Spindle: r0498: Sensor S1 (cal), r0499: Sensor S4 (cal) 86: Spindle: r0498: Sensor S5 (cal), r0499: -		
Index:	[0] = Encoder 1 [1] = Encoder 2 [2] = Reserved		
Dependency:	Refer to: r0497, r0498, r0499		
Notice:	The setting option depends on the following properties: Sensor Module type, hardware version, firmware version (Sensor Module and Control Units), order number (last digit). Not all combinations are supported.		
Note:	Re p0496 = 1: 360 ° <--> 2^32 Re p0496 = 10 (resolver): 2900 mV <--> 26214 dec Re p0496 = 10 (int. resolver): 1300 mV <--> 11750 dec Re p0496 = 10, 20 (sin/cos 1 Vpp, EnDat): 500 mV <--> 21299 dec Re p0496 = 11 (resolver): 2900 mV <--> 13107 dec, internal processor offset is corrected Re p0496 = 11 (int. resolver): 1300 mV <--> 5875 dec, internal processor offset is corrected Re p0496 = 11, 21 (sin/cos 1 Vpp, EnDat): 500 mV <--> 10650 dec, internal processor offset is corrected Re p0496 = 12: 180 ° fine position <--> 32768 dec Re p0496 = 13 (resolver): 2900 mV <--> 13107 dec Re p0496 = 13 (int. resolver): 1300 mV <--> 5875 dec		

2 Parameters

2.2 List of parameters

Re p0496 = 13 (sin/cos 1 Vpp, EnDat): 500 mV <--> 10650 dec
 Re p0496 = 14: 1 ° <--> 286 dec, 100% <--> 16384 dec
 Re p0496 = 15: 100 % <--> 16384 dec
 Re p0496 = 16 (resolver): channel A: 2900 mV <--> 26214 dec, channel B: 2900 mV <--> 26214 dec
 Re p0496 = 16 (int. resolver): channel A: 1300 mV <--> 11750 dec, channel B: 1300 mV <--> 11750 dec
 Re p0496 = 16 (sin/cos 1 Vpp, EnDat) channel A: 500 mV <--> 21299 dec, channel B: 500 mV <--> 21299 dec
 Re p0496 = 17 (resolver): absolute value: 2900 mV <--> 13107 dec, number: 1 ... 8
 Re p0496 = 17 (int. resolver): absolute value: 1300 mV <--> 5875 dec, number: 1 ... 8
 Re p0496 = 17 (sin/cos 1 Vpp, EnDat): absolute value 500 mV <--> 10650 dec, number: 1 ... 8
 Re p0496 = 18 (resolver): angle: signal period <--> 2¹⁶, absolute value: 2900 mV <--> 13107 dec
 Re p0496 = 18 (int. resolver): angle: signal period <--> 2¹⁶, absolute value: 1300 mV <--> 5875 dec
 Re p0496 = 18 (sin/cos 1 Vpp, EnDat): angle: signal period <--> 2¹⁶, absolute value: 500 mV <--> 10650 dec
 Re p0496 = 19 (resolver): counter: dec, channel A: 2900 mV <--> 26214 dec
 Re p0496 = 19 (resolver): counter: dec, channel A: 1300 mV <--> 11750 dec
 Re p0496 = 19 (sin/cos 1 Vpp, EnDat): counter: dec, channel A: 500 mV <--> 21299 dec
 Re p0496 = 22: 180 ° <--> 32768 dec
 Re p0496 = 23, 24: r0497.31 (r0499.15) set for at least 1 current controller cycle when encoder zero mark detected
 Re p0496 = 24, 25: 500 mV <--> 21299 dec
 Re p0496 = 30: Rotary: 1 singleturn measuring step <--> 1 dec, linear: 1 measuring step <--> 1 dec
 Re p0496 = 31: Absolute position, incremental in 1/4 encoder pulses
 Re p0496 = 32: Zero mark position in 1/4 encoder pulses
 Re p0496 = 33: counter offset absolute value in 1/4 encoder pulses
 Re p0496 = 40: r0498 <--> (R_KTY/1 kOhm - 0.9) * 32768
 Re p0496 = 42: 2500 Ohm <--> 2³²
 Re p0496 = 51: 1 rpm <--> 1000 dec
 Re p0496 = 52: ln 1/4 encoder pulses
 Re p0496 = 60: voltage, channel A in mV, voltage, channel B in mV
 Re p0496 = 61: Channel A: encoder periods <--> 2¹⁶, channel B: encoder periods <--> 2¹⁶
 Re p0496 = 62: encoder periods <--> 2¹⁶
 Re p0496 = 70: r: 100% <--> 10000 dec, phase: 180 ° <--> 18000 dec
 Re p0496 = 80, 81, 85, 86: 1V <--> 1000 inc

r0497[0...2]

CO: Encoder diagnostic signal double word / Enc diag DW

Access level: 4	Calculated: -	Data type: Unsigned32
Can be changed: -	Scaling: -	Dyn. index: -
Units group: -	Unit selection: -	Func. diagram: -
Min	Max	Factory setting
-	-	-

Description: Displays the trace signal for encoder diagnostics (double word).
The signal to be output is selected in p0496.

Index:
[0] = Encoder 1
[1] = Encoder 2
[2] = Reserved

Dependency: Refer to: p0496, r0498, r0499

r0498[0...2]

CO: Encoder diagnostic signal low word / Enc diag low word

Access level: 4	Calculated: -	Data type: Integer16
Can be changed: -	Scaling: -	Dyn. index: -
Units group: -	Unit selection: -	Func. diagram: -
Min	Max	Factory setting
-	-	-

Description: Displays the trace signal for encoder diagnostics (low component).
The signal to be output is selected in p0496.

Index: [0] = Encoder 1
[1] = Encoder 2
[2] = Reserved

Dependency: Refer to: p0496, r0497, r0499

r0499[0...2] CO: Encoder diagnostic signal high word / Enc diag high word

Access level: 4	Calculated: -	Data type: Integer16
Can be changed: -	Scaling: -	Dyn. index: -
Units group: -	Unit selection: -	Func. diagram: -
Min	Max	Factory setting
-	-	-

Description: Displays the trace signal for encoder diagnostics (high component).
The signal to be output is selected in p0496.

Index: [0] = Encoder 1
[1] = Encoder 2
[2] = Reserved

Dependency: Refer to: p0496, r0497, r0498

p0500 Technology application / Tec application

Access level: 2	Calculated: -	Data type: Integer16
Can be changed: C(1, 5), T	Scaling: -	Dyn. index: -
Units group: -	Unit selection: -	Func. diagram: -
Min	Max	Factory setting
0	3	0

Description: Sets the technology application.
The parameter influences the calculation of open-loop and closed-loop control parameters that is e.g. initiated using p0340 = 5.

Value: 0: Standard drive
1: Pumps and fans
2: Sensorless closed-loop control down to f = 0 (passive loads)
3: Pumps and fans, efficiency optimization

Notice: If the technological application is set to p0500 = 0 ... 3 during commissioning (p0010 = 1, 5, 30), the operating mode (p1300) is pre-set accordingly.

Note: The calculation of parameters dependent on the technology application can be called up as follows:

- when exiting quick commissioning using p3900 > 0
 - when writing p0340 = 1, 3, 5
- For p0500 = 0, 5 and when the calculation is initiated, the following parameters are set:
- p1574 = 10 V
 - p1611 = 80 % (only p0500 = 5)
 - p1750.2 = 0
 - p1802 = 4 (SVM/FLB without overcontrol) (PM240: p1802 = 0, PM260: p1802 = 2)
 - p1803 = 106 % (PM260: p1803 = 103 %)
- For p0500 = 1 and when the calculation is initiated, the following parameters are set:
- p1574 = 2 V
 - p1750.2 = 0
 - p1802 = 4 (SVM/FLB without overcontrol) (PM240: p1802 = 0)
 - p1803 = 106 % (PM260: p1803 = 103 %)
- For p0500 = 2 and when the calculation is initiated, the following parameters are set:
- p1574 = 2 V (separately-excited synchronous motor: 4 V)
 - p1750.2 = 1
 - p1802 = 4 (SVM/FLB without overcontrol) (PM240: p1802 = 0)
 - p1803 = 106 % (PM260: p1803 = 103 %)

2 Parameters

2.2 List of parameters

For p0500 = 3 and when the calculation is initiated, the following parameters are set:

- p1574 = 2 V
- p1750.2 = 1
- p1802 = 4 (SVM/FLB without overcontrol) (PM240: p1802 = 0)
- p1803 = 106 % (PM260: p1803 = 103 %)

Re p1750:

The setting of p1750 is only relevant for induction motors.

p1750.2 = 1: Encoderless control of the induction motor is effective down to zero frequency.

This operating mode is possible for passive loads. These include applications where the load does not generate regenerative torque when breaking away and the motor comes to a standstill (zero speed) itself when the pulses are inhibited.

Re p1802 / p1803:

p1802 and p1803 are only changed, in all cases, if a sine-wave output filter (p0230 = 3, 4) has not been selected.

p0505

Selecting the system of units / Unit sys select

Access level: 1	Calculated: -	Data type: Integer16
Can be changed: C(5)	Scaling: -	Dyn. index: -
Units group: -	Unit selection: -	Func. diagram: -
Min	Max	Factory setting
1	4	1

Description:

Sets the actual system of units.

Value:

- 1: SI system of units
- 2: System of units referred/SI
- 3: US system of units
- 4: System of units referred/US

Dependency:

The parameter can only be changed in an offline project using the commissioning software.

Caution:



If a per unit representation is selected and if the reference parameters (e.g. p2000) are subsequently changed, then the physical significance of several control parameters is also adapted at the same time. As a consequence, the control behavior can change (see p1576, p1621, p1744, p1752, p1755 and p1609, p1612, p1619, p1620).

Note:

Reference parameter for the unit system % are, for example, p2000 ... p2004. Depending on what has been selected, these are displayed using either SI or US units.

p0530[0...n]

Bearing version selection / Bearing vers sel

Access level: 3	Calculated: -	Data type: Unsigned16
Can be changed: C(1, 3)	Scaling: -	Dyn. index: MDS
Units group: -	Unit selection: -	Func. diagram: -
Min	Max	Factory setting
0	104	0

Description:

Sets the bearing version.

Corresponding to the bearing version entered, its code number (p0531) is automatically set.

- 0 = No selection
- 1 = Manual entry
- 101 = STANDARD
- 102 = PERFORMANCE
- 103 = HIGH PERFORMANCE
- 104 = ADVANCED LIFETIME

Dependency:

Refer to: p0301, p0531, p0532, p1082

Notice:

For p0530 = 101, 102, 103, 104, the maximum bearing speed (p0532) is write protected. Write protection is withdrawn with p0530 = 1.

If p0530 is changed during quick commissioning (p0010 = 1), then the maximum speed p1082, which is also associated with quick commissioning, is pre-assigned appropriately. This is not the case when commissioning the motor (p0010 = 3). The maximum speed of the bearing is factored into the limit for the maximum speed p1082.

Note:

For a motor with DRIVE-CLiQ, p0530 can only be set to 1.

p0531[0...n]	Bearing code number selection / Bearing codeNo sel		
	Access level: 3	Calculated: -	Data type: Unsigned16
	Can be changed: C(3)	Scaling: -	Dyn. index: MDS
	Units group: -	Unit selection: -	Func. diagram: -
	Min	Max	Factory setting
	0	65535	0
Description:	Display and setting the code number of the bearing. When setting p0301 and p0530 the code number is automatically preassigned and is write protected. The information in p0530 should be observed when removing write protection.		
Dependency:	Refer to: p0301, p0530, p0532, p1082		
Notice:	If p0531 is changed during quick commissioning (p0010 = 1), then the maximum speed p1082, which is also associated with quick commissioning, is pre-assigned appropriately. This is not the case when commissioning the motor (p0010 = 3). The maximum speed of the bearing is factored into the limit for the maximum speed p1082.		
Note:	p0531 cannot be changed on a motor with DRIVE-CLiQ.		
p0532[0...n]	Bearing maximum speed / Bearing n_max		
	Access level: 3	Calculated: -	Data type: FloatingPoint32
	Can be changed: C(1, 3)	Scaling: -	Dyn. index: MDS
	Units group: -	Unit selection: -	Func. diagram: -
	Min	Max	Factory setting
	0.0 [rpm]	210000.0 [rpm]	0.0 [rpm]
Description:	Sets the maximum speed of the bearing. The following applies when calculating the maximum speed (p1082): - for p0324 = 0 or p0532 = 0, p0322 is used. - for p0324 > 0 and p0532 > 0, the minimum value from the two parameters is used.		
Dependency:	Refer to: p0301, p0322, p0530, p1082		
Notice:	This parameter is pre-assigned in the case of motors from the motor list (p0301) if a bearing version (p0530) is selected. When selecting a catalog motor, this parameter cannot be changed (write protection). The information in p0530 should be observed when removing write protection. If p0532 is changed during quick commissioning (p0010 = 1), then the maximum speed p1082, which is also associated with quick commissioning, is pre-assigned appropriately. This is not the case when commissioning the motor (p0010 = 3).		
p0573	Inhibit automatic reference value calculation / Inhibit calc		
	Access level: 3	Calculated: -	Data type: Integer16
	Can be changed: U, T	Scaling: -	Dyn. index: -
	Units group: -	Unit selection: -	Func. diagram: -
	Min	Max	Factory setting
	0	1	0
Description:	Setting to inhibit the calculation of reference parameters (e.g. p2000) when automatically calculating the motor and closed-loop control parameters (p0340, p3900).		
Value:	0: No 1: Yes		
Notice:	The inhibit for the reference value calculation is canceled when new motor parameters (e.g. p0305) are entered and only one drive data set exists (p0180 = 1). This is the case during initial commissioning. Once the motor and control parameters have been calculated (p0340, p3900), the inhibit for the reference value calculation is automatically re-activated.		
Note:	If value = 0: The automatic calculation (p0340, p3900) overwrites the reference parameters. If value = 1: The automatic calculation (p0340, p3900) does not overwrite the reference parameters.		

p0580	Measuring probe input terminal / MT input terminal		
	Access level: 3	Calculated: -	Data type: Integer16
	Can be changed: U, T	Scaling: -	Dyn. index: -
	Units group: -	Unit selection: -	Func. diagram: -
	Min	Max	Factory setting
	0	27	0
Description:	Sets the input terminal for the measuring probe for speed actual value measurement.		
Value:	0: No meas probe 24: DI/DO 24 (X208-3) 25: DI/DO 25 (X208-4) 26: DI/DO 26 (X208-5) 27: DI/DO 27 (X208-6)		
Dependency:	Refer to: p0581, p0728		
Note:	DI/DO: Bidirectional Digital Input/Output		

p0581	Measuring probe edge / MT edge		
	Access level: 3	Calculated: -	Data type: Integer16
	Can be changed: U, T	Scaling: -	Dyn. index: -
	Units group: -	Unit selection: -	Func. diagram: -
	Min	Max	Factory setting
	0	1	0
Description:	Sets the edge to evaluate the measuring probe signal for speed actual value measurement. 0: 0/1 edge 1: 1/0 edge		
Dependency:	Refer to: p0580		

p0582	Measuring probe pulses per revolution / MT pulses per rev		
	Access level: 3	Calculated: -	Data type: Unsigned16
	Can be changed: U, T	Scaling: -	Dyn. index: -
	Units group: -	Unit selection: -	Func. diagram: -
	Min	Max	Factory setting
	1	12	1
Description:	Sets the number of pulses per revolution (e.g. for disks with holes).		

p0583	Measuring probe maximum measuring time / MT t_meas max		
	Access level: 3	Calculated: -	Data type: FloatingPoint32
	Can be changed: U, T	Scaling: -	Dyn. index: -
	Units group: -	Unit selection: -	Func. diagram: -
	Min	Max	Factory setting
	0.040 [s]	10.000 [s]	10.000 [s]
Description:	Sets the maximum measuring time for the measuring probe. If a new pulse is not received before the maximum measuring time has expired, then the speed actual value in r0586 is set to zero. This timer is re-started with the next pulse.		
Dependency:	Refer to: r0586		

p0585	Measuring probe gear factor / Probe gear factor		
	Access level: 3	Calculated: -	Data type: FloatingPoint32
	Can be changed: U, T	Scaling: -	Dyn. index: -
	Units group: -	Unit selection: -	Func. diagram: -
	Min	Max	Factory setting
	0.00000	1000.00000	1.00000
Description:	Sets the BERO gear factor. The measured speed is multiplied by the BERO gear factor and is displayed in r0586.		

r0586	CO: Measuring probe speed actual value / MT n_act		
	Access level: 3	Calculated: -	Data type: FloatingPoint32
	Can be changed: -	Scaling: p2000	Dyn. index: -
	Units group: 3_1	Unit selection: p0505	Func. diagram: -
	Min	Max	Factory setting
	- [rpm]	- [rpm]	- [rpm]
Description:	Displays the speed actual value measured using the BERO.		
Dependency:	Refer to: p0580, p0583		
Note:	For p0580 = 0 (no measuring probe), a value of zero is displayed here.		
r0587	CO: Measuring probe measuring time measured / MT t_meas measured		
	Access level: 3	Calculated: -	Data type: Unsigned32
	Can be changed: -	Scaling: -	Dyn. index: -
	Units group: -	Unit selection: -	Func. diagram: -
	Min	Max	Factory setting
	-	-	-
Description:	Displays the time between the last two BERO pulses. The measuring time is specified as 32-bit value with a resolution of 1/48 µs. If a new pulse is not received before the maximum measured time in p0583 expires, then r0587 is set to the maximum measuring time.		
Dependency:	Refer to: p0580		
Note:	For p0580 = 0 (no measuring probe), a value of zero is displayed here.		
r0588	CO: Measuring probe pulse counter / MT pulse counter		
	Access level: 3	Calculated: -	Data type: Unsigned32
	Can be changed: -	Scaling: -	Dyn. index: -
	Units group: -	Unit selection: -	Func. diagram: -
	Min	Max	Factory setting
	-	-	-
Description:	Displays the number of measuring pulses that have occurred (been received) up until now.		
Dependency:	Refer to: p0580		
Note:	After reaching 4294967295 ($2^{32} - 1$), the counter starts again at 0.		
r0589	Measuring probe delay time / MT t_delay		
	Access level: 3	Calculated: -	Data type: Unsigned32
	Can be changed: -	Scaling: -	Dyn. index: -
	Units group: -	Unit selection: -	Func. diagram: -
	Min	Max	Factory setting
	-	-	-
Description:	Displays the time since the last measuring pulse was detected. The delay time is specified as 32-bit value with a resolution of 1/48 µs. When a measuring pulse occurs (is received) the delay time is reset and is limited to the maximum measuring time in p0583.		
Dependency:	Refer to: p0580		
Note:	For p0580 = 0 (no measuring probe), a value of zero is displayed here.		

2 Parameters

2.2 List of parameters

p0595	Technological unit selection / Tech unit select		
CU250S_V (Tech_ctrl)	Access level: 1	Calculated: -	Data type: Integer16
CU250S_V_CAN (Tech_ctrl)	Can be changed: C(5)	Scaling: -	Dyn. index: -
CU250S_V_DP (Tech_ctrl)	Units group: -	Unit selection: -	Func. diagram: -
CU250S_V_PN (Tech_ctrl)	Min 1	Max 46	Factory setting 1

Description: Selects the units for the parameters of the technology controller.
For p0595 = 1, 2, the reference quantity set in p0596 is not active.


Value:


- 1: %
- 2: 1 referred no dimensions
- 3: bar
- 4: °C
- 5: Pa
- 6: ltr/s
- 7: m³/s
- 8: ltr/min
- 9: m³/min
- 10: ltr/h
- 11: m³/h
- 12: kg/s
- 13: kg/min
- 14: kg/h
- 15: t/min
- 16: t/h
- 17: N
- 18: kN
- 19: Nm
- 20: psi
- 21: °F
- 22: gallon/s
- 23: inch³/s
- 24: gallon/min
- 25: inch³/min
- 26: gallon/h
- 27: inch³/h
- 28: lb/s
- 29: lb/min
- 30: lb/h
- 31: lbf
- 32: lbf ft
- 33: K
- 34: rpm
- 35: parts/min
- 36: m/s
- 37: ft³/s
- 38: ft³/min
- 39: BTU/min
- 40: BTU/h
- 41: mbar
- 42: inch wg
- 43: ft wg
- 44: m wg
- 45: % r.h.
- 46: g/kg

Dependency: Only the unit of the technology controller parameters are switched over (unit group 9_1).
Refer to: p0596

Note: When switching over from % into another unit, the following sequence applies:
- set p0596
- set p0595 to the required unit

p0596	Technological unit reference quantity / Tech unit ref qty		
CU250S_V (Tech_ctrl)	Access level: 1	Calculated: -	Data type: FloatingPoint32
CU250S_V_CAN (Tech_ctrl)	Can be changed: T	Scaling: -	Dyn. index: -
CU250S_V_DP (Tech_ctrl)	Units group: -	Unit selection: -	Func. diagram: -
CU250S_V_PN (Tech_ctrl)	Min 0.01	Max 340.28235E36	Factory setting 1.00
Description:	Sets the reference quantity for the technological units. When changing over using changeover parameter p0595 to absolute units, all of the parameters involved refer to the reference quantity.		
Dependency:	Refer to: p0595		
Notice:	When changing over from one technological unit into another, or when changing the reference parameter, a changeover is not made.		

p0600[0...n]	Motor temperature sensor for monitoring / Mot temp_sensor		
	Access level: 2	Calculated: p0340 = 1	Data type: Integer16
	Can be changed: C(3), U, T	Scaling: -	Dyn. index: MDS
	Units group: -	Unit selection: -	Func. diagram: 8016
	Min 0	Max 12	Factory setting 11
Description:	Sets the sensor to monitor the motor temperature. The sensor type used is set in p0601.		
Value:	0: No sensor 1: Temperature sensor via encoder 1 11: Temperature sensor via Motor Module / CU terminals 12: Temperature sensor via CU-D-SUB		
Dependency:	Refer to: p0601		
Caution:	If, for a selected temperature sensor (p0600 > 0), the motor temperature sensor is not connected but another sensor, then the temperature adaptation of the motor resistances must be switched out. Otherwise, in controlled-loop operation, torque errors will occur that will mean that the drive will not be able to be stopped.		
			
Notice:	The parameter is calculated in the drive using p0340 and is inhibited for p0340 > 0.		
Note:	Re p0600 = 0: With induction motors, the motor temperature is calculated using the motor temperature model (see also p0612.1). Re p0600 = 1: Bimetallic switch (p0601 = 4) is not supported.		

p0601[0...n]	Motor temperature sensor type / Mot_temp_sens type		
	Access level: 2	Calculated: -	Data type: Integer16
	Can be changed: C(3), U, T	Scaling: -	Dyn. index: MDS
	Units group: -	Unit selection: -	Func. diagram: 8016
	Min 0	Max 4	Factory setting 0
Description:	Sets the sensor type for the motor temperature monitoring.		
Value:	0: No sensor 1: PTC alarm & timer 2: KTY84 4: Bimetallic NC contact alarm & timer		
Dependency:	A thermal motor model is calculated corresponding to p0612.		
Caution:	Re p0601 = 2: If the motor temperature sensor is not connected but another encoder, then the temperature adaptation of the motor resistances must be switched out (p0620 = 0). Otherwise, in controlled-loop operation, torque errors will occur that will mean that the motor will not be able to be stopped.		
			
Note:	Re p0601 = 1: Tripping resistance = 1650 Ohm. Wire breakage and short-circuit monitoring.		

p0604[0...n]	Mot_temp_mod 2/KTY alarm threshold / Mod 2/KTY A thresh		
	Access level: 2	Calculated: -	Data type: FloatingPoint32
	Can be changed: C(3), U, T	Scaling: -	Dyn. index: MDS
	Units group: 21_1	Unit selection: p0505	Func. diagram: 8016
	Min	Max	Factory setting
	0.0 [°C]	240.0 [°C]	130.0 [°C]
Description:	Sets the alarm threshold for monitoring the motor temperature for motor temperature model 2 or KTY. After the alarm threshold is exceeded, alarm A07910 is output and timer (p0606) is started. If the delay time has expired and the alarm threshold has, in the meantime, not been fallen below, then fault F07011 is output.		
Dependency:	Refer to: p0606, p0612		
Notice:	When selecting a catalog motor (p0301), this parameter is automatically pre-assigned and is write protected. Information in p0300 should be carefully observed when removing write protection.		
Note:	The hysteresis is 2 K. When quick commissioning is exited with p3900 > 0, then the parameter is reset if a catalog motor has not been selected (p0300).		
p0605[0...n]	Mot_temp_mod 1/2 threshold / Mod 1/2 threshold		
	Access level: 3	Calculated: -	Data type: FloatingPoint32
	Can be changed: C(3), U, T	Scaling: -	Dyn. index: MDS
	Units group: 21_1	Unit selection: p0505	Func. diagram: 8016, 8017
	Min	Max	Factory setting
	0.0 [°C]	240.0 [°C]	145.0 [°C]
Description:	Sets the threshold for monitoring the motor temperature for motor temperature model 1/2 or KTY. Motor temperature model 1 (p0612.0 = 1): alarm threshold - Alarm A07012 is output after the alarm threshold is exceeded. Motor temperature model 2 (p0612.1 = 1) or KTY: fault threshold - Fault F07011 is output after the fault threshold is exceeded.		
Dependency:	Refer to: p0606, p0611, p0612		
Notice:	When selecting a catalog motor (p0301), this parameter is automatically pre-assigned and is write protected. Information in p0300 should be carefully observed when removing write protection. Motor temperature model 1: p0605 also defines the target temperature of the model for r0034 = 100 %. Therefore, p0605 has no influence on the time up to alarm A07012 being issued. The time is only determined by time constant p0611, the actual current and the reference value p0305.		
Note:	The hysteresis is 2 K. When quick commissioning is exited with p3900 > 0, then the parameter is reset if a catalog motor has not been selected (p0300).		
p0606[0...n]	Mot_temp_mod 2/KTY timer / Mod 2/KTY t_timer		
	Access level: 4	Calculated: -	Data type: FloatingPoint32
	Can be changed: C(3), U, T	Scaling: -	Dyn. index: MDS
	Units group: -	Unit selection: -	Func. diagram: 8016
	Min	Max	Factory setting
	0.000 [s]	600.000 [s]	0.000 [s]
Description:	Sets the timer for monitoring the motor temperature for motor temperature model 2 or KTY. This timer is started when the temperature alarm threshold (p0604) is exceeded. If the timer has expired and the alarm threshold has, in the meantime, not been fallen below, then fault F07011 is output. If the temperature fault threshold (p0605) is prematurely exceeded before the timer has expired, then fault F07011 is immediately output.		
Dependency:	Refer to: p0604, p0605		

Note: With p0606 = 0 s, the timer is de-activated and only the fault threshold is effective.
 KTY sensor: When setting the minimum value, the timer is disabled and a fault is not output until p0605 is exceeded.
 PTC sensor, bimetallic NC contact: The timer minimum value has no special significance.

p0607[0...n]	Temperature sensor fault timer / Sensor fault time		
Access level: 4	Calculated: -	Data type: FloatingPoint32	
Can be changed: C(3), U, T	Scaling: -	Dyn. index: MDS	
Units group: -	Unit selection: -	Func. diagram: 8016	
Min	Max	Factory setting	
0.000 [s]	600.000 [s]	0.100 [s]	
Description:	Sets the timer between the output of alarm and fault for a temperature sensor fault. If there is a sensor fault, this timer is started. If the sensor fault is still present after the timer has expired, a corresponding fault is output.		
Notice:	The parameterized time is internally rounded-off to an integer multiple of 48 ms.		
Note:	If the motor is an induction motor, the timer is switched off when setting the minimum value and no alarm is output. Temperature monitoring is then based on the thermal model.		

p0610[0...n]	Motor overtemperature response / Mot temp response		
Access level: 2	Calculated: -	Data type: Integer16	
Can be changed: C(3), T	Scaling: -	Dyn. index: MDS	
Units group: -	Unit selection: -	Func. diagram: 8016, 8017	
Min	Max	Factory setting	
0	12	12	
Description:	Sets the system response when the motor temperature reaches the alarm threshold.		
Value:	0: No response only alarm no reduction of I_max 1: Messages, reduction of I_max 2: Messages, no reduction of I_max 12: Messages, no reduction of I_max, temperature storage		
Dependency:	Refer to: p0601, p0604, p0605, p0614, p0615		
Note:	The I_max reduction is not executed for PTC (p0601 = 1) or bimetallic NC contact (p0601 = 4). The I_max reduction results in a lower output frequency. If value = 0: An alarm is output and I_max is not reduced. If value = 1: An alarm is output and a timer is started. A fault is output if the alarm is still active after this timer has expired. - for KTY84, the following applies: I_max. is reduced - for PTC, the following is valid: I_max. is not reduced If value = 2: An alarm is output and a timer is started. A fault is output if the alarm is still active after this timer has expired. If value = 12: Behavior is always the same as for value 2. For motor temperature monitoring without temperature sensor, when switching off, the model temperature is saved in a non-volatile fashion. When switching on, the same value (reduced by p0614) is taken into account in the model calculation. As a consequence, the UL508C specification is fulfilled.		

p0611[0...n]	I2t motor model thermal time constant / I2t mot_mod T		
Access level: 3	Calculated: -	Data type: FloatingPoint32	
Can be changed: C(1, 3), U, T	Scaling: -	Dyn. index: MDS	
Units group: -	Unit selection: -	Func. diagram: 8017	
Min	Max	Factory setting	
0 [s]	20000 [s]	0 [s]	
Description:	Sets the winding time constant. The time constant specifies the warm-up time of the cold stator winding when loaded with the motor standstill current (rated motor current, if the motor standstill current is not parameterized) up until a temperature rise of 63 % of the continuously permissible winding temperature has been reached.		

2 Parameters

2.2 List of parameters

- Dependency:** This parameter is only used for synchronous motors (p0300 = 2xx, 4).
Refer to: r0034, p0612, p0615
- Notice:** This parameter is automatically pre-set from the motor database for motors from the motor list (p0301).
When selecting a catalog motor, this parameter cannot be changed (write protection). Information in p0300 should be carefully observed when removing write protection.
When exiting commissioning, p0612 is checked, and where relevant, is preassigned to a value that matches the motor power, if a temperature sensor was not parameterized (see p0601).
- Note:** When parameter p0611 is reset to 0, then this switches out the thermal I2t motor model (refer to p0612).
If no temperature sensor is parameterized, then the ambient temperature for the thermal motor model is referred to p0625.

p0612[0...n]	Mot_temp_mod activation / Mot_temp_mod act		
Access level: 3	Calculated: p0340 = 1	Data type: Unsigned16	
Can be changed: U, T	Scaling: -	Dyn. index: MDS	
Units group: -	Unit selection: -	Func. diagram: 8017	
Min	Max	Factory setting	
-	-	0000 0010 0000 0010 bin	

Description: Setting to activate the motor temperature model.

Bit field:	Bit	Signal name	1 signal	0 signal	FP
	00	Activating motor temperature model 1 (I2t)	Yes	No	-
	01	Activate motor temperature model 2	Yes	No	-
	02	Activate motor temperature model 3	Yes	No	-
	09	Activate motor temperature model 2 expansions	Yes	No	-

Dependency: For synchronous motors, when exiting commissioning, temperature model 1 is automatically activated if a time constant has been entered in p0611.

Refer to: r0034, p0604, p0605, p0611, p0615, p0625, p0626, p0627, p0628

Note: Mot_temp_mod: motor temperature model

Re bit 00:

This bit is used to activate/deactivate the motor temperature model for permanent-magnet synchronous motors.

Re bit 01:

This bit is used to activate/deactivate the motor temperature model for induction motors.

Re bit 02:

This bit is used to activate/deactivate the motor temperature model for 1FK7 motors without encoder.

Motor temperature model 3 cannot be simultaneously activated with another motor temperature model.

p0614[0...n]	Thermal resistance adaptation reduction factor / Therm R_adapt red		
Access level: 3	Calculated: -	Data type: FloatingPoint32	
Can be changed: U, T	Scaling: -	Dyn. index: MDS	
Units group: -	Unit selection: -	Func. diagram: -	
Min	Max	Factory setting	
0 [%]	100 [%]	30 [%]	

Description: Sets the reduction factor for the overtemperature of the thermal adaptation of the stator/rotor resistance.
The value is a starting value when switching on. Internally, after switch-on, the reduction factor has no effect corresponding to the thermal time constant.

Dependency: Refer to: p0610

Note: The reduction factor is only effective for p0610 = 12, and refers to the overtemperature.

p0615[0...n]	Mot_temp_mod 1 (I2t) fault threshold / I2t F thresh		
	Access level: 3	Calculated: -	Data type: FloatingPoint32
	Can be changed: C(3), U, T	Scaling: -	Dyn. index: MDS
	Units group: 21_1	Unit selection: p0505	Func. diagram: 8017
	Min 0.0 [°C]	Max 220.0 [°C]	Factory setting 180.0 [°C]
Description:	Sets the fault threshold for monitoring the motor temperature for motor temperature model 1 (I2t). - Fault F07011 is output after the fault threshold is exceeded. - fault threshold for r0034 = $100 \% * (p0615 - 40) / (p0605 - 40)$.		
Dependency:	The parameter is only used for permanent-magnet synchronous motors (p0300 = 2xx). Refer to: r0034, p0611, p0612		
Notice:	When selecting a catalog motor (p0301), this parameter is automatically pre-assigned and is write protected. Information in p0300 should be carefully observed when removing write protection.		
Note:	The hysteresis is 2 K.		
p0620[0...n]	Thermal adaptation, stator and rotor resistance / Mot therm_adapt R		
	Access level: 4	Calculated: p0340 = 1	Data type: Integer16
	Can be changed: C(3), U, T	Scaling: -	Dyn. index: MDS
	Units group: -	Unit selection: -	Func. diagram: -
	Min 0	Max 2	Factory setting 1
Description:	Sets the thermal adaptation of the stator/primary section resistance and rotor/secondary section resistance according to r0395 and r0396.		
Value:	0: No thermal adaptation of stator and rotor resistances 1: Resistances adapted to the temperatures of the thermal model 2: Resistances adapted to the measured stator winding temperature		
Note:	For p0620 = 1, the following applies: The stator resistance is adapted using the temperature in r0035 and the rotor resistance together with the model temperature in r0633. For p0620 = 2, the following applies: The stator resistance is adapted using the temperature in r0035. If applicable, the rotor temperature for adapting the rotor resistance is calculated from the stator temperature (r0035) as follows: $\theta_R = (r0628 + r0625) / (r0627 + r0625) * r0035$		
p0621[0...n]	Identification stator resistance after restart / Rst_ident Restart		
	Access level: 2	Calculated: -	Data type: Integer16
	Can be changed: C(3), T	Scaling: -	Dyn. index: MDS, p0130
	Units group: -	Unit selection: -	Func. diagram: -
	Min 0	Max 2	Factory setting 0
Description:	Selects the identification of the stator resistance after booting the Control Unit (only for vector control). The identification is used to measure the actual stator resistance and from the ratio of the result of motor data identification (p0350) to the matching ambient temperature (p0625) the actual mean temperature of the stator winding is calculated. The result is used to initialize the thermal motor model. p0621 = 1: Identification of the stator resistance only when the drive is powered up for the first time (pulse enable) after booting the Control Unit. p0621 = 2: Identification of the stator resistance every time the drive is powered up (pulse enable).		
Value:	0: No Rs identification 1: Rs identification after switching-on again 2: Rs identification after switching-on each time		
Dependency:	- perform motor data identification (see p1910) with cold motor. - enter ambient temperature at time of motor data identification in p0625. Refer to: p0622, r0623		

2 Parameters

2.2 List of parameters

Notice: The calculated stator temperature can only be compared with the measured value of a temperature sensor (KTY) to a certain extent, as the sensor is usually the warmest point of the stator winding, whereas the measured value of identification reflects the mean value of the stator winding.

Furthermore this is a short-time measurement with limited accuracy that is performed during the magnetizing phase of the induction motor.

Note: The measurement is carried out:

- For induction motors
- When vector control is active (see p1300)
- If a temperature sensor (KTY) has not been connected
- When the motor is at a standstill when switched on

When a flying restart is performed on a rotating motor, the temperatures of the thermal motor model are set to a third of the overtemperatures. This occurs only once, however, when the CU is booted (e.g. after a power failure).

If identification is activated, the magnetizing time is determined via p0622 and not via p0346. Quick magnetizing (p1401.6) is de-energized internally and alarm A07416 is displayed. The speed is enabled after completion of the measurement.

p0622[0...n]	Motor excitation time for Rs_ident after powering up again / t_excit Rs_id		
Access level: 3	Calculated: p0340 = 1,3	Data type: FloatingPoint32	
Can be changed: C(3), U, T	Scaling: -	Dyn. index: MDS, p0130	
Units group: -	Unit selection: -	Func. diagram: -	
Min	Max	Factory setting	
0.000 [s]	20.000 [s]	0.000 [s]	

Description: Sets the excitation time of the motor for the stator resistance identification after powering up again (restart).

Dependency: Refer to: p0621, r0623

Note: For p0622 < p0346 the following applies:

If identification is activated, the magnetizing time is influenced by p0622. The speed is enabled after measurement is complete, but not before the time in p0346 has elapsed (see r0056 bit 4). The time taken for measurement also depends on the settling time of the measured current.

For p0622 >= p0346 the following applies:

Parameter p0622 is internally limited to the magnetizing time p0346, so that p0346 represents the maximum possible magnetizing time during identification. The entire measurement period (magnetizing plus measurement settling time plus measuring time) will always be greater than p0346.

r0623	Rs identification stator resistance after switch on again / Rs-id Rs aft sw-on		
Access level: 4	Calculated: -	Data type: FloatingPoint32	
Can be changed: -	Scaling: -	Dyn. index: -	
Units group: -	Unit selection: -	Func. diagram: -	
Min	Max	Factory setting	
- [ohm]	- [ohm]	- [ohm]	

Description: Displays the stator resistance determined using the Rs identification after switching on again.

Dependency: Refer to: p0621, p0622

p0625[0...n]	Motor ambient temperature during commissioning / Mot T_ambient		
Access level: 3	Calculated: p0340 = 1,2	Data type: FloatingPoint32	
Can be changed: C(3), U, T	Scaling: -	Dyn. index: MDS	
Units group: 21_1	Unit selection: p0505	Func. diagram: 8017	
Min	Max	Factory setting	
-40 [°C]	80 [°C]	20 [°C]	

Description: Defines the ambient temperature of the motor for calculating the motor temperature model.

Dependency: Refer to: p0350, p0354

Note: The parameters for stator and rotor resistance (p0350, p0354) refer to this temperature.

If the thermal I2t motor model is activated for permanent-magnet synchronous motors (refer to p0611), p0625 is included in the model calculation if a temperature sensor is not being used (see p0601).

p0626[0...n]	Motor overtemperature, stator core / Mot T_over core		
	Access level: 4	Calculated: p0340 = 1,2	Data type: FloatingPoint32
	Can be changed: C(3), U, T	Scaling: -	Dyn. index: MDS
	Units group: 21_2	Unit selection: p0505	Func. diagram: 8017
	Min 10 [K]	Max 200 [K]	Factory setting 50 [K]
Description:	Defines the rated overtemperature of the stator core referred to the ambient temperature.		
Dependency:	For 1LA7 motors (p0300), the parameter is pre-set as a function of p0307 and p0311. Refer to: p0625		
Notice:	When selecting a standard induction motor listed in the catalog (p0300 > 100, p0301 > 10000), this parameter is automatically preassigned and is write protected. Information in p0300 should be carefully observed when removing write protection.		
Note:	When quick commissioning is exited with p3900 > 0, then the parameter is reset if a catalog motor has not been selected (p0300).		
p0627[0...n]	Motor overtemperature, stator winding / Mot T_over stator		
	Access level: 4	Calculated: p0340 = 1,2	Data type: FloatingPoint32
	Can be changed: C(3), U, T	Scaling: -	Dyn. index: MDS
	Units group: 21_2	Unit selection: p0505	Func. diagram: 8017
	Min 15 [K]	Max 200 [K]	Factory setting 80 [K]
Description:	Defines the rated overtemperature of the stator winding referred to the ambient temperature.		
Dependency:	For 1LA7 motors (p0300), the parameter is pre-set as a function of p0307 and p0311. Refer to: p0625		
Notice:	When selecting a standard induction motor listed in the catalog (p0300 > 100, p0301 > 10000), this parameter is automatically preassigned and is write protected. Information in p0300 should be carefully observed when removing write protection.		
Note:	When quick commissioning is exited with p3900 > 0, then the parameter is reset if a catalog motor has not been selected (p0300).		
p0628[0...n]	Motor overtemperature rotor winding / Mot T_over rotor		
	Access level: 4	Calculated: p0340 = 1,2	Data type: FloatingPoint32
	Can be changed: C(3), U, T	Scaling: -	Dyn. index: MDS
	Units group: 21_2	Unit selection: p0505	Func. diagram: 8017
	Min 20 [K]	Max 200 [K]	Factory setting 100 [K]
Description:	Defines the rated overtemperature of the squirrel cage rotor referred to ambient temperature.		
Dependency:	For 1LA7 motors (p0300), the parameter is pre-set as a function of p0307 and p0311. Refer to: p0625		
Notice:	When selecting a standard induction motor listed in the catalog (p0300 > 100, p0301 > 10000), this parameter is automatically preassigned and is write protected. Information in p0300 should be carefully observed when removing write protection.		
Note:	When quick commissioning is exited with p3900 > 0, then the parameter is reset if a catalog motor has not been selected (p0300).		
r0630[0...n]	Mot_temp_mod ambient temperature / Mod T_ambient		
	Access level: 4	Calculated: -	Data type: FloatingPoint32
	Can be changed: -	Scaling: p2006	Dyn. index: MDS
	Units group: 21_1	Unit selection: p0505	Func. diagram: 8017
	Min - [°C]	Max - [°C]	Factory setting - [°C]
Description:	Displays the ambient temperature of the motor temperature model (models 2 and 3).		

2 Parameters

2.2 List of parameters

r0631[0...n]	Mot_temp_mod stator iron temperature / Mod T_stator	
Access level: 4	Calculated: -	Data type: FloatingPoint32
Can be changed: -	Scaling: p2006	Dyn. index: MDS
Units group: 21_1	Unit selection: p0505	Func. diagram: 8017
Min - [°C]	Max - [°C]	Factory setting - [°C]
Description:	Displays the stator iron temperature of the motor temperature model (models 2 and 3).	

r0632[0...n]	Mot_temp_mod stator winding temperature / Mod T_winding	
Access level: 4	Calculated: -	Data type: FloatingPoint32
Can be changed: -	Scaling: p2006	Dyn. index: MDS
Units group: 21_1	Unit selection: p0505	Func. diagram: 8017
Min - [°C]	Max - [°C]	Factory setting - [°C]
Description:	Displays the stator winding temperature of the motor temperature model (models 2 and 3).	

r0633[0...n]	Mot_temp_mod rotor temperature / Mod rotor temp	
Access level: 4	Calculated: -	Data type: FloatingPoint32
Can be changed: -	Scaling: p2006	Dyn. index: MDS
Units group: 21_1	Unit selection: p0505	Func. diagram: 8017
Min - [°C]	Max - [°C]	Factory setting - [°C]
Description:	Displays the rotor temperature of the motor temperature model (model 2).	

p0634[0...n]	Q flux flux constant unsaturated / PSIQ KPSI UNSAT	
Access level: 3	Calculated: -	Data type: FloatingPoint32
Can be changed: C(3), U, T	Scaling: -	Dyn. index: MDS
Units group: -	Unit selection: -	Func. diagram: -
Min 0.000 [Vsrms]	Max 100.000 [Vsrms]	Factory setting 0.000 [Vsrms]
Description:	The non-linear and cross-coupled quadrature axis flux functions are defined using 4 coefficients. The parameter weights the unsaturated component of the quadrature axis flux function.	

p0635[0...n]	Q flux quadrature axis current constant unsaturated / PSIQ KIQ UNSAT	
Access level: 3	Calculated: -	Data type: FloatingPoint32
Can be changed: C(3), U, T	Scaling: -	Dyn. index: MDS
Units group: -	Unit selection: -	Func. diagram: -
Min 0.00 [Arms]	Max 10000.00 [Arms]	Factory setting 0.00 [Arms]
Description:	The non-linear and cross-coupled quadrature axis flux functions are defined using 4 coefficients. This parameter describes the interdependency of the unsaturated component of the quadrature axis current.	
Dependency:	Refer to: p0634	

p0636[0...n]	Q flux direct axis current constant unsaturated / PSIQ KID UNSAT	
Access level: 3	Calculated: -	Data type: FloatingPoint32
Can be changed: C(3), U, T	Scaling: -	Dyn. index: MDS
Units group: -	Unit selection: -	Func. diagram: -
Min 0.00 [Arms]	Max 10000.00 [Arms]	Factory setting 0.00 [Arms]
Description:	The non-linear and cross-coupled quadrature axis flux functions are defined using 4 coefficients. This parameter describes the interdependency of the unsaturated component of the direct axis current.	

Dependency: Refer to: p0634

p0637[0...n]	Q flux flux gradient saturated / PSIQ Grad SAT		
Access level: 3	Calculated: -	Data type: FloatingPoint32	
Can be changed: C(3), U, T	Scaling: -	Dyn. index: MDS	
Units group: -	Unit selection: -	Func. diagram: -	
Min	Max	Factory setting	
0.00 [mH]	10000.00 [mH]	0.00 [mH]	

Description: The non-linear and cross-coupled quadrature axis flux functions are defined using 4 coefficients. This parameter describes the gradients of the saturated component over the quadrature axis current.

Dependency: Refer to: p0634, p0635, p0636

p0640[0...n]	Current limit / Current limit		
Access level: 2	Calculated: p0340 = 1	Data type: FloatingPoint32	
Can be changed: C(1, 3), U, T	Scaling: -	Dyn. index: DDS, p0180	
Units group: -	Unit selection: -	Func. diagram: 5722, 6640	
Min	Max	Factory setting	
0.00 [Arms]	10000.00 [Arms]	0.00 [Arms]	

Description: Sets the current limit.

Dependency: Refer to: r0209, p0323

Note: The parameter is part of the quick commissioning (p0010 = 1); this means that it is appropriately pre-assigned when changing p0305. The current limit p0640 is limited to r0209.

The resulting current limit is displayed in r0067 and if required, r0067 is reduced by the thermal model of the power unit.

The torque and power limits (p1520, p1521, p1530, p1531) matching the current limit are automatically calculated when exiting the quick commissioning using p3900 > 0 or using the automatic parameterization with p0340 = 3, 5. p0640 is limited to 4.0 x p0305.

p0640 is pre-assigned for the automatic self commissioning routine (e.g. to 1.5 x p0305, with p0305 = r0207[1]).

p0640 must be entered when commissioning the system. This is the reason that p0640 is not calculated by the automatic parameterization when exiting the quick commissioning (p3900 > 0).

p0641[0...n]	CI: Current limit variable / Curr lim var		
Access level: 3	Calculated: -	Data type: U32 / FloatingPoint32	
Can be changed: T	Scaling: PERCENT	Dyn. index: CDS, p0170	
Units group: -	Unit selection: -	Func. diagram: 6640	
Min	Max	Factory setting	
-	-	1	

Description: Sets the signal source for the variable current limit. The value is referred to p0640.

p0650[0...n]	Actual motor operating hours / Mot t_oper act		
Access level: 3	Calculated: -	Data type: Unsigned32	
Can be changed: T	Scaling: -	Dyn. index: MDS	
Units group: -	Unit selection: -	Func. diagram: -	
Min	Max	Factory setting	
0 [h]	4294967295 [h]	0 [h]	

Description: Displays the operating hours for the corresponding motor. The motor operating time counter continues to run when the pulses are enabled. When the pulse enable is withdrawn, the counter is held and the value saved.

Dependency: Refer to: p0651

Note: The operating hours counter in p0650 can only be reset to 0.

The operating hours counter only runs with drive data set 0 and 1 (DDS).

p0651[0...n]	Motor operating hours maintenance interval / Mot t_op maint		
	Access level: 3	Calculated: -	Data type: Unsigned32
	Can be changed: T	Scaling: -	Dyn. index: MDS
	Units group: -	Unit selection: -	Func. diagram: -
	Min	Max	Factory setting
	0 [h]	150000 [h]	0 [h]
Description:	Sets the service/maintenance intervals in hours for the appropriate motor. An appropriate fault is output when the operating hours set here are reached.		
Dependency:	Refer to: p0650		
Note:	For p0651 = 0, the operating hours counter is disabled. When setting p0651 to 0, then p0650 is automatically set to 0. The operating hours counter only runs with drive data set 0 and 1 (DDS). If there is no temperature monitor, then interconnect to a fixed value. Re index 3: When the binector input is interconnected, pre-charging is switched-on independent of the magnitude of the pre-charging threshold.		

r0720[0...4]	CU number of inputs and outputs / CU I/O count		
	Access level: 3	Calculated: -	Data type: Unsigned16
	Can be changed: -	Scaling: -	Dyn. index: -
	Units group: -	Unit selection: -	Func. diagram: 2119
	Min	Max	Factory setting
	-	-	-
Description:	Displays the number of inputs and outputs		
Index:	[0] = Number of digital inputs [1] = Number of digital outputs [2] = Number of digital input/outputs bidirectional [3] = Number of analog inputs [4] = Number of analog outputs		

r0721	CU digital inputs terminal actual value / CU DI term act val		
	Access level: 2	Calculated: -	Data type: Unsigned32
	Can be changed: -	Scaling: -	Dyn. index: -
	Units group: -	Unit selection: -	Func. diagram: 2201, 2221, 2222, 2230, 2231
	Min	Max	Factory setting
	-	-	-

Description: Displays the actual value at the digital inputs.
This means that the actual input signal can be checked at terminal DI x or DI/DO x prior to switching from the simulation mode (p0795.x = 1) to terminal mode (p0795.x = 0).

Bit field:	Bit	Signal name	1 signal	0 signal	FP
	00	DI 0 (T. 5)	High	Low	-
	01	DI 1 (T. 6, 64)	High	Low	-
	02	DI 2 (T. 7)	High	Low	-
	03	DI 3 (T. 8, 65)	High	Low	-
	04	DI 4 (T. 16)	High	Low	-
	05	DI 5 (T. 17, 66)	High	Low	-
	06	DI 6 (T. 67)	High	Low	-
	11	DI 11 (T. 3, 4) AI 0	High	Low	-
	12	DI 12 (T. 10, 11) AI 1	High	Low	-
	16	DI 16 (T. 41)	High	Low	-
	17	DI 17 (T. 42)	High	Low	-
	18	DI 18 (T. 43)	High	Low	-
	19	DI 19 (T. 44)	High	Low	-
	24	DI/DO 24 (T. 51)	High	Low	-

25	DI/DO 25 (T. 52)	High	Low	-
26	DI/DO 26 (T. 53)	High	Low	-
27	DI/DO 27 (T. 54)	High	Low	-

Note: If a DI/DO is parameterized as output (p0728.x = 1), then r0721.x = 0 is displayed.
DI: Digital Input
DI/DO: Bidirectional Digital Input/Output

r0722.0...27 CO/BO: CU digital inputs status / CU DI status

Access level: 1	Calculated: -	Data type: Unsigned32
Can be changed: -	Scaling: -	Dyn. index: -
Units group: -	Unit selection: -	Func. diagram: 2020, 2030, 2031, 2100, 2119, 2120, 2130, 2131, 2132, 2133

Min	Max	Factory setting
-	-	-

Description: Displays the status of the digital inputs.

Bit field:	Bit	Signal name	1 signal	0 signal	FP
	00	DI 0 (T. 5)	High	Low	-
	01	DI 1 (T. 6, 64)	High	Low	-
	02	DI 2 (T. 7)	High	Low	-
	03	DI 3 (T. 8, 65)	High	Low	-
	04	DI 4 (T. 16)	High	Low	-
	05	DI 5 (T. 17, 66)	High	Low	-
	06	DI 6 (T. 67)	High	Low	-
	11	DI 11 (T. 3, 4) AI 0	High	Low	-
	12	DI 12 (T. 10, 11) AI 1	High	Low	-
	16	DI 16 (T. 41)	High	Low	-
	17	DI 17 (T. 42)	High	Low	-
	18	DI 18 (T. 43)	High	Low	-
	19	DI 19 (T. 44)	High	Low	-
	24	DI/DO 24 (T. 51)	High	Low	-
	25	DI/DO 25 (T. 52)	High	Low	-
	26	DI/DO 26 (T. 53)	High	Low	-
	27	DI/DO 27 (T. 54)	High	Low	-

Dependency: Refer to: r0723

Notice: To the terminal designation:

The first designation is valid for CU320, the second for CU310.

Note: DI: Digital Input

DI/DO: Bidirectional Digital Input/Output

r0723.0...27 CO/BO: CU digital inputs status inverted / CU DI status inv

Access level: 1	Calculated: -	Data type: Unsigned32
Can be changed: -	Scaling: -	Dyn. index: -
Units group: -	Unit selection: -	Func. diagram: 2020, 2030, 2031, 2100, 2119, 2120, 2130, 2131, 2132, 2133

Min	Max	Factory setting
-	-	-

Description: Displays the inverted status of the digital inputs.

Bit field:	Bit	Signal name	1 signal	0 signal	FP
	00	DI 0 (T. 5)	High	Low	-
	01	DI 1 (T. 6, 64)	High	Low	-
	02	DI 2 (T. 7)	High	Low	-
	03	DI 3 (T. 8, 65)	High	Low	-
	04	DI 4 (T. 16)	High	Low	-
	05	DI 5 (T. 17, 66)	High	Low	-
	06	DI 6 (T. 67)	High	Low	-
	11	DI 11 (T. 3, 4) AI 0	High	Low	-
	12	DI 12 (T. 10, 11) AI 1	High	Low	-

2 Parameters

2.2 List of parameters

16	DI 16 (T. 41)	High	Low	-
17	DI 17 (T. 42)	High	Low	-
18	DI 18 (T. 43)	High	Low	-
19	DI 19 (T. 44)	High	Low	-
24	DI/DO 24 (T. 51)	High	Low	-
25	DI/DO 25 (T. 52)	High	Low	-
26	DI/DO 26 (T. 53)	High	Low	-
27	DI/DO 27 (T. 54)	High	Low	-

Dependency: Refer to: r0722

Notice: To the terminal designation:

The first designation is valid for CU320, the second for CU310.

Note: DI: Digital Input

DI/DO: Bidirectional Digital Input/Output

p0724 CU digital inputs debounce time / CU DI t_debounce

Access level: 3	Calculated: -	Data type: FloatingPoint32
Can be changed: U, T	Scaling: -	Dyn. index: -
Units group: -	Unit selection: -	Func. diagram: -
Min	Max	Factory setting
0.000 [ms]	20.000 [ms]	4.000 [ms]

Description: Sets the debounce time for digital inputs.

Note: The digital inputs are read in cyclically every 2 ms (DI 11, DI 12 every 4 ms).

To debounce the signals, the set debounce time is converted into integer multiple debounce clock cycles T_p ($T_p = p0724 / 2$ ms).

DI: Digital Input

p0728 CU set input or output / CU DI or DO

Access level: 1	Calculated: -	Data type: Unsigned32
Can be changed: T	Scaling: -	Dyn. index: -
Units group: -	Unit selection: -	Func. diagram: 2230, 2231
Min	Max	Factory setting
-	-	0000 0000 0000 0000 0000 0000 0000 0000 0000 bin

Description: Sets the bidirectional digital inputs/outputs as an input or output.

Bit field:	Bit	Signal name	1 signal	0 signal	FP
	24	DI/DO 24 (T. 51)	Output	Input	-
	25	DI/DO 25 (T. 52)	Output	Input	-
	26	DI/DO 26 (T. 53)	Output	Input	-
	27	DI/DO 27 (T. 54)	Output	Input	-

Note: DI/DO: Bidirectional Digital Input/Output

r0729 CU digital outputs access authority / CU DO acc_auth

Access level: 1	Calculated: -	Data type: Unsigned32
Can be changed: -	Scaling: -	Dyn. index: -
Units group: -	Unit selection: -	Func. diagram: 2030, 2031
Min	Max	Factory setting
-	-	-

Description: Displays the access authority at the digital outputs.

Bit = 1:

The control has access authority to the digital output via PROFIBUS or direct access.

Bit = 0:

The drive has access authority to the digital output or the digital input/output is not set as digital output or is not available.

Bit field:	Bit	Signal name	1 signal	0 signal	FP
	00	DO 0 (NO: T. 19 / NC: T. 18)	High	Low	-
	01	DO 1 (NO: T. 21)	High	Low	-

02	DO 2 (NO: T. 24 / NC: T. 23)	High	Low	-
24	DI/DO 24 (T. 51)	High	Low	-
25	DI/DO 25 (T. 52)	High	Low	-
26	DI/DO 26 (T. 53)	High	Low	-
27	DI/DO 27 (T. 54)	High	Low	-

Dependency: Refer to: p0728, p0738, p0739, p0740, p0741, r0747, p0748

Note: The DI/DO must be connected as output (p0728).

DI/DO: Bidirectional Digital Input/Output

p0730

BI: CU signal source for terminal DO 0 / CU S_src DO 0

Access level: 1	Calculated: -	Data type: U32 / Binary
Can be changed: U, T	Scaling: -	Dyn. index: -
Units group: -	Unit selection: -	Func. diagram: 2119, 2030, 2130
Min	Max	Factory setting
-	-	52.3

Description: Sets the signal source for terminal DO 0 (NO: T. 19 / NC: T. 18).

Recommend.:

- r0052.0 Ready for switching on
- r0052.1 Ready for operation
- r0052.2 Operation enabled
- r0052.3 Fault present
- r0052.4 Coast down active (OFF2)
- r0052.5 Quick stop active (OFF3)
- r0052.6 Switching on inhibited active
- r0052.7 Alarm present
- r0052.9 Control request
- r0052.14 Motor rotates forwards
- r0053.0 DC braking active
- r0053.1 n_act > p2167 (n_off)
- r0053.2 n_act <= p1080 (n_min)
- r0053.3 l_act > p2170
- r0053.4 n_act > p2155
- r0053.5 n_act <= p2155
- r0053.6 n_act >= n_set
- r0053.10 Technology controller output at the lower limit
- r0053.11 Technology controller output at the upper limit

Notice: The parameter may be protected as a result of p0922 or p2079 and cannot be changed.

Note: DO: Digital Output
T: Terminal
Relay output: NO = normally open, NC = normally closed

p0731

BI: CU signal source for terminal DO 1 / CU S_src DO 1

Access level: 1	Calculated: -	Data type: U32 / Binary
Can be changed: U, T	Scaling: -	Dyn. index: -
Units group: -	Unit selection: -	Func. diagram: 2119, 2030, 2130
Min	Max	Factory setting
-	-	52.7

Description: Sets the signal source for terminal DO 1 (NO: T. 21).

Recommend.:

- r0052.0 Ready for switching on
- r0052.1 Ready for operation
- r0052.2 Operation enabled
- r0052.3 Fault present
- r0052.4 Coast down active (OFF2)
- r0052.5 Quick stop active (OFF3)
- r0052.6 Switching on inhibited active
- r0052.7 Alarm present

2 Parameters

2.2 List of parameters

r0052.9 Control request
r0052.14 Motor rotates forwards
r0053.0 DC braking active
r0053.1 n_act > p2167 (n_off)
r0053.2 n_act <= p1080 (n_min)
r0053.3 I_act > p2170
r0053.4 n_act > p2155
r0053.5 n_act <= p2155
r0053.6 n_act >= n_set
r0053.10 Technology controller output at the lower limit
r0053.11 Technology controller output at the upper limit

Notice: The parameter may be protected as a result of p0922 or p2079 and cannot be changed.

Note: DO: Digital Output

T: Terminal

Relay output: NO = normally open, NC = normally closed

p0732

BI: CU signal source for terminal DO 2 / CU S_src DO 2

Access level: 1

Calculated: -

Data type: U32 / Binary

Can be changed: U, T

Scaling: -

Dyn. index: -

Units group: -

Unit selection: -

Func. diagram: 2119, 2030, 2130

Min

Max

Factory setting

-

-

52.2

Description: Sets the signal source for terminal DO 2 (NO: T. 24 / NC: T. 23).

Recommend.:

r0052.0 Ready for switching on
r0052.1 Ready for operation
r0052.2 Operation enabled
r0052.3 Fault present
r0052.4 Coast down active (OFF2)
r0052.5 Quick stop active (OFF3)
r0052.6 Switching on inhibited active
r0052.7 Alarm present
r0052.9 Control request
r0052.14 Motor rotates forwards
r0053.0 DC braking active
r0053.1 n_act > p2167 (n_off)
r0053.2 n_act <= p1080 (n_min)
r0053.3 I_act > p2170
r0053.4 n_act > p2155
r0053.5 n_act <= p2155
r0053.6 n_act >= n_set
r0053.10 Technology controller output at the lower limit
r0053.11 Technology controller output at the upper limit

Notice: The parameter may be protected as a result of p0922 or p2079 and cannot be changed.

Note: DO: Digital Output

T: Terminal

Relay output: NO = normally open, NC = normally closed

p0738	BI: CU signal source for terminal DI/DO 24 / CU S_src DI/DO 24		
	Access level: 1	Calculated: -	Data type: U32 / Binary
	Can be changed: U, T	Scaling: -	Dyn. index: -
	Units group: -	Unit selection: -	Func. diagram: 2201, 2230
	Min	Max	Factory setting
	-	-	0

Description: Sets the signal source for terminal DI/DO 24.

Notice: The parameter may be protected as a result of p0922 or p2079 and cannot be changed.

Note: Prerequisite: The DI/DO must be set as an output (p0728.24 = 1).

DI/DO: Bidirectional Digital Input/Output

p0739	BI: CU signal source for terminal DI/DO 25 / CU S_src DI/DO 25		
	Access level: 1	Calculated: -	Data type: U32 / Binary
	Can be changed: U, T	Scaling: -	Dyn. index: -
	Units group: -	Unit selection: -	Func. diagram: 2230
	Min	Max	Factory setting
	-	-	0

Description: Sets the signal source for terminal DI/DO 25.

Notice: The parameter may be protected as a result of p0922 or p2079 and cannot be changed.

Note: Prerequisite: The DI/DO must be set as an output (p0728.25 = 1).

DI/DO: Bidirectional Digital Input/Output

p0740	BI: CU signal source for terminal DI/DO 26 / CU S_src DI/DO 26		
	Access level: 1	Calculated: -	Data type: U32 / Binary
	Can be changed: U, T	Scaling: -	Dyn. index: -
	Units group: -	Unit selection: -	Func. diagram: 2231
	Min	Max	Factory setting
	-	-	0

Description: Sets the signal source for terminal DI/DO 26.

Notice: The parameter may be protected as a result of p0922 or p2079 and cannot be changed.

Note: Prerequisite: The DI/DO must be set as an output (p0728.26 = 1).

DI/DO: Bidirectional Digital Input/Output

p0741	BI: CU signal source for terminal DI/DO 27 / CU S_src DI/DO 27		
	Access level: 1	Calculated: -	Data type: U32 / Binary
	Can be changed: U, T	Scaling: -	Dyn. index: -
	Units group: -	Unit selection: -	Func. diagram: 2201, 2231
	Min	Max	Factory setting
	-	-	0

Description: Sets the signal source for terminal DI/DO 27.

Notice: The parameter may be protected as a result of p0922 or p2079 and cannot be changed.

Note: Prerequisite: The DI/DO must be set as an output (p0728.27 = 1).

DI/DO: Bidirectional Digital Input/Output

r0747	CU digital outputs status / CU DO status		
	Access level: 1	Calculated: -	Data type: Unsigned32
	Can be changed: -	Scaling: -	Dyn. index: -
	Units group: -	Unit selection: -	Func. diagram: 2130, 2131, 2132, 2133
	Min	Max	Factory setting
	-	-	-

Description: Displays the status of digital outputs.

2 Parameters

2.2 List of parameters

Bit field:	Bit	Signal name	1 signal	0 signal	FP
	00	DO 0 (NO: T. 19 / NC: T. 18)	High	Low	-
	01	DO 1 (NO: T. 21)	High	Low	-
	02	DO 2 (NO: T. 24 / NC: T. 23)	High	Low	-
	24	DI/DO 24 (T. 51)	High	Low	-
	25	DI/DO 25 (T. 52)	High	Low	-
	26	DI/DO 26 (T. 53)	High	Low	-
	27	DI/DO 27 (T. 54)	High	Low	-

Notice: To the terminal designation:

The first designation is valid for CU320, the second for CU310.

Note: Inversion using p0748 has been taken into account.

DI/DO: Bidirectional Digital Input/Output

p0748

CU invert digital outputs / CU DO inv

Access level: 1

Calculated: -

Data type: Unsigned32

Can be changed: U, T

Scaling: -

Dyn. index: -

Units group: -

Unit selection: -

Func. diagram: -

Min

Max

Factory setting

-

-

0000 0000 0000 0000 0000 0000 0000 0000
0000 bin

Description: Setting to invert the signals at the digital outputs.

Bit field:	Bit	Signal name	1 signal	0 signal	FP
	00	DO 0 (NO: T. 19 / NC: T. 18)	High	Low	-
	01	DO 1 (NO: T. 21)	High	Low	-
	02	DO 2 (NO: T. 24 / NC: T. 23)	High	Low	-
	24	DI/DO 24 (T. 51)	High	Low	-
	25	DI/DO 25 (T. 52)	High	Low	-
	26	DI/DO 26 (T. 53)	High	Low	-
	27	DI/DO 27 (T. 54)	High	Low	-

Notice: If telegram 39x is set via p0922 in SINAMICS Integrated, the inversion of the output has no effect.

Note: DI/DO: Bidirectional Digital Input/Output

r0751.0...9

BO: CU analog inputs status word / CU AI status word

Access level: 3

Calculated: -

Data type: Unsigned16

Can be changed: -

Scaling: -

Dyn. index: -

Units group: -

Unit selection: -

Func. diagram: 2251

Min

Max

Factory setting

-

-

-

Description: Display and binector output for the status of the analog inputs.

Bit field:	Bit	Signal name	1 signal	0 signal	FP
	00	Analog input AI0 wire breakage	Yes	No	-
	01	Analog input AI1 wire breakage	Yes	No	-
	08	Analog input AI0 no wire breakage	Yes	No	-
	09	Analog input AI1 no wire breakage	Yes	No	-

Note: AI: Analog Input

r0752[0...1]

CO: CU analog inputs input voltage/current actual / CU AI U/I_inp act

Access level: 2

Calculated: -

Data type: FloatingPoint32

Can be changed: -

Scaling: -

Dyn. index: -

Units group: -

Unit selection: -

Func. diagram: 9566, 9568, 9576

Min

Max

Factory setting

-

-

-

Description: Displays the actual input voltage in V when set as voltage input.

Displays the actual input current in mA when set as current input and with the load resistor switched in.

Index: [0] = AI0 (T. 3/4)

[1] = AI1 (T. 10/11)

Dependency: The type of analog input AIx (voltage or current input) is set using p0756.

Refer to: p0756

Note: AI: Analog Input
T: Terminal

p0753[0...1] CU analog inputs smoothing time constant / CU AI T_smooth

Access level: 3	Calculated: -	Data type: FloatingPoint32
Can be changed: U, T	Scaling: -	Dyn. index: -
Units group: -	Unit selection: -	Func. diagram: 9566, 9568, 9576
Min	Max	Factory setting
0.0 [ms]	1000.0 [ms]	0.0 [ms]

Description: Sets the smoothing time constant of the 1st-order low pass filter for the analog inputs.

Index: [0] = AI0 (T. 3/4)
[1] = AI1 (T. 10/11)

Note: AI: Analog Input
T: Terminal

r0755[0...1] CO: CU analog inputs actual value in percent / CU AI value in %

Access level: 2	Calculated: -	Data type: FloatingPoint32
Can be changed: -	Scaling: PERCENT	Dyn. index: -
Units group: -	Unit selection: -	Func. diagram: 9566, 9568, 9576
Min	Max	Factory setting
- [%]	- [%]	- [%]

Description: Displays the currently referred input value of the analog inputs.

When interconnected, the signals are referred to the reference quantities p200x and p205x.

Index: [0] = AI0 (T. 3/4)
[1] = AI1 (T. 10/11)

Note: AI: Analog Input
T: Terminal

p0756[0...1] CU analog inputs type / CU AI type

Access level: 2	Calculated: -	Data type: Integer16
Can be changed: U, T	Scaling: -	Dyn. index: -
Units group: -	Unit selection: -	Func. diagram: 9566, 9568, 9576
Min	Max	Factory setting
0	4	[0] 4 [1] 4

Description: Sets the type of analog inputs.

p0756[0...1] = 0, 1, 4 corresponds to a voltage input (r0752, p0757, p0759 are displayed in V).

p0756[0...1] = 2, 3 corresponds to a current input (r0752, p0757, p0759 are displayed in mA).

In addition, the associated DIP switch must be set.

For the voltage input, DIP switch AI0/1 must be set to "U".

For the current input, DIP switch AI0/1 or AI2 must be set to "I".

Value:

- 0: Unipolar voltage input (0 V ... +10 V)
- 1: Unipolar voltage input monitored (+2 V ... +10 V)
- 2: Unipolar current input (0 mA ... +20 mA)
- 3: Unipolar current input monitored (+4 mA to +20 mA)
- 4: Bipolar voltage input (-10 V ... +10 V)

Index: [0] = AI0 (T. 3/4)
[1] = AI1 (T. 10/11)

Warning: The maximum voltage difference between analog input terminals AI+, AI-, and the ground must not exceed 35 V.
If the system is operated when the load resistor is switched on (DIP switch set to "I"), the voltage between differential inputs AI+ and AI- must not exceed 10 V or the injected 80 mA current otherwise the input will be damaged.



2 Parameters

2.2 List of parameters

Note: When changing p0756, the parameters of the scaling characteristic (p0757, p0758, p0759, p0760) are overwritten with the following default values:
For p0756 = 0, 4, p0757 is set to 0.0 V, p0758 = 0.0 %, p0759 = 10.0 V and p0760 = 100.0 %.
For p0756 = 1, p0757 is set to 2.0 V, p0758 = 0.0 %, p0759 = 10.0 V and p0760 = 100.0 %.
For p0756 = 2, p0757 is set to 0.0 mA, p0758 = 0.0 %, p0759 = 20.0 mA and p0760 = 100.0 %.
For p0756 = 3, p0757 is set to 4.0 mA, p0758 = 0.0 %, p0759 = 20.0 mA and p0760 = 100.0 %.

p0757[0...1]	CU analog inputs characteristic value x1 / CU AI char x1		
Access level: 2	Calculated: -	Data type: FloatingPoint32	
Can be changed: U, T	Scaling: -	Dyn. index: -	
Units group: -	Unit selection: -	Func. diagram: 9566, 9568, 9576	
Min	Max	Factory setting	
-50.000	160.000	0.000	

Description: Sets the scaling characteristic for the analog inputs.
The scaling characteristic for the analog inputs is defined using 2 points.
This parameter specifies the x coordinate (V, mA) of the 1st value pair of the characteristic.

Index: [0] = AI0 (T. 3/4)
[1] = AI1 (T. 10/11)

Note: The parameters for the characteristic do not have a limiting effect.

p0758[0...1]	CU analog inputs characteristic value y1 / CU AI char y1		
Access level: 2	Calculated: -	Data type: FloatingPoint32	
Can be changed: U, T	Scaling: -	Dyn. index: -	
Units group: -	Unit selection: -	Func. diagram: 9566, 9568, 9576	
Min	Max	Factory setting	
-1000.00 [%]	1000.00 [%]	0.00 [%]	

Description: Sets the scaling characteristic for the analog inputs.
The scaling characteristic for the analog inputs is defined using 2 points.
This parameter specifies the y coordinate (percentage) of the 1st value pair of the characteristic.

Index: [0] = AI0 (T. 3/4)
[1] = AI1 (T. 10/11)

Note: The parameters for the characteristic do not have a limiting effect.

p0759[0...1]	CU analog inputs characteristic value x2 / CU AI char x2		
Access level: 2	Calculated: -	Data type: FloatingPoint32	
Can be changed: U, T	Scaling: -	Dyn. index: -	
Units group: -	Unit selection: -	Func. diagram: 9566, 9568, 9576	
Min	Max	Factory setting	
-50.000	160.000	10.000	

Description: Sets the scaling characteristic for the analog inputs.
The scaling characteristic for the analog inputs is defined using 2 points.
This parameter specifies the x coordinate (V, mA) of the 2nd value pair of the characteristic.

Index: [0] = AI0 (T. 3/4)
[1] = AI1 (T. 10/11)

Note: The parameters for the characteristic do not have a limiting effect.

p0760[0...1]	CU analog inputs characteristic value y2 / CU AI char y2		
	Access level: 2	Calculated: -	Data type: FloatingPoint32
	Can be changed: U, T	Scaling: -	Dyn. index: -
	Units group: -	Unit selection: -	Func. diagram: 9566, 9568, 9576
	Min	Max	Factory setting
	-1000.00 [%]	1000.00 [%]	100.00 [%]

Description: Sets the scaling characteristic for the analog inputs.
The scaling characteristic for the analog inputs is defined using 2 points.
This parameter specifies the y coordinate (percentage) of the 2nd value pair of the characteristic.

Index:
[0] = AI0 (T. 3/4)
[1] = AI1 (T. 10/11)

Note: The parameters for the characteristic do not have a limiting effect.

p0761[0...1]	CU analog inputs wire breakage monitoring response threshold / CU WireBrkThresh		
	Access level: 2	Calculated: -	Data type: FloatingPoint32
	Can be changed: U, T	Scaling: -	Dyn. index: -
	Units group: -	Unit selection: -	Func. diagram: 9566, 9568
	Min	Max	Factory setting
	0.00	20.00	2.00

Description: Sets the response threshold for the wire breakage monitoring of the analog inputs.
The unit for the parameter value depends on the set analog input type.

Index:
[0] = AI0 (T. 3/4)
[1] = AI1 (T. 10/11)

Dependency: For the following analog input type, the wire breakage monitoring is active:
p0756[0...1] = 1 (unipolar voltage input monitored (+2 V ... +10 V)), unit [V]
p0756[0...1] = 3 (unipolar current input monitored (+4 mA ... +20 mA)), unit [mA]
Refer to: p0756

Note: AI: Analog Input
When p0761 = 0, wire breakage monitoring is not carried out.

p0762[0...1]	CU analog inputs wire breakage monitoring delay time / CU wire brk t_del		
	Access level: 3	Calculated: -	Data type: Unsigned16
	Can be changed: U, T	Scaling: -	Dyn. index: -
	Units group: -	Unit selection: -	Func. diagram: 9566, 9568
	Min	Max	Factory setting
	0 [ms]	1000 [ms]	100 [ms]

Description: Sets the delay time for the wire breakage monitoring of the analog inputs.

Index:
[0] = AI0 (T. 3/4)
[1] = AI1 (T. 10/11)

Note: AI: Analog Input

p0764[0...1]	CU analog inputs dead zone / CU AI dead zone		
	Access level: 2	Calculated: -	Data type: FloatingPoint32
	Can be changed: U, T	Scaling: -	Dyn. index: -
	Units group: -	Unit selection: -	Func. diagram: 2251
	Min	Max	Factory setting
	0.000 [V]	20.000 [V]	0.000 [V]

Description: Determines the width of the dead zone at the analog input.
Analog input type unipolar (e.g. 0 ... +10 V):
The dead zone starts with the characteristic value x1/y1 (p0757/p0758).
Analog input type bipolar (e.g. -10 V ... +10 V):
The dead zone is located at the symmetrical center between characteristic value x1/y1 (p0757/p0758) and x2/y2 (p0759/p0760). The set value doubles the dead zone.

2 Parameters

2.2 List of parameters

Index: [0] = AI0 (T. 3/4)
[1] = AI1 (T. 10/11)
Note: AI: Analog Input
T: Terminal

p0771[0...1] **CI: CU analog outputs signal source / CU AO S_src**

Access level: 2	Calculated: -	Data type: U32 / FloatingPoint32
Can be changed: U, T	Scaling: PERCENT	Dyn. index: -
Units group: -	Unit selection: -	Func. diagram: 2201, 2261
Min	Max	Factory setting
-	-	[0] 21[0] [1] 27[0]

Description: Sets the signal source for the analog outputs.

Index: [0] = AO0 (T 12/13)
[1] = AO1 (T 26/27)

Note: AO: Analog Output
T: Terminal

r0772[0...1] **CU analog outputs output value currently referred / CU AO outp act ref**

Access level: 3	Calculated: -	Data type: FloatingPoint32
Can be changed: -	Scaling: -	Dyn. index: -
Units group: -	Unit selection: -	Func. diagram: 9572
Min	Max	Factory setting
- [%]	- [%]	- [%]

Description: Displays the actual referred output value of the analog outputs.

Index: [0] = AO0 (T 12/13)
[1] = AO1 (T 26/27)

Note: AO: Analog Output
T: Terminal

p0773[0...1] **CU analog outputs smoothing time constant / CU AO T_smooth**

Access level: 2	Calculated: -	Data type: FloatingPoint32
Can be changed: U, T	Scaling: -	Dyn. index: -
Units group: -	Unit selection: -	Func. diagram: 9572
Min	Max	Factory setting
0.0 [ms]	1000.0 [ms]	0.0 [ms]

Description: Sets the smoothing time constant of the 1st-order low pass filter for the analog outputs.

Index: [0] = AO0 (T 12/13)
[1] = AO1 (T 26/27)

Note: AO: Analog Output
T: Terminal

r0774[0...1] **CU analog outputs output voltage/current actual / CU AO U/I_outp**

Access level: 2	Calculated: -	Data type: FloatingPoint32
Can be changed: -	Scaling: p2001	Dyn. index: -
Units group: -	Unit selection: -	Func. diagram: 9572
Min	Max	Factory setting
-	-	-

Description: Displays the actual output voltage or output current at the analog outputs.

Index: [0] = AO0 (T 12/13)
[1] = AO1 (T 26/27)

Dependency: Refer to: p0776

Note: AO: Analog Output
T: Terminal

p0775[0...1]	CU analog outputs activate absolute value generation / CU AO absVal act		
	Access level: 2	Calculated: -	Data type: Integer16
	Can be changed: T	Scaling: -	Dyn. index: -
	Units group: -	Unit selection: -	Func. diagram: 9572
	Min	Max	Factory setting
	0	1	0
Description:	Activates the absolute value generation for the analog outputs.		
Value:	0: No absolute value generation 1: Absolute value generation switched in		
Index:	[0] = AO0 (T 12/13) [1] = AO1 (T 26/27)		
Note:	AO: Analog Output T: Terminal		
p0776[0...1]	CU analog outputs type / CU AO type		
	Access level: 2	Calculated: -	Data type: Integer16
	Can be changed: U, T	Scaling: -	Dyn. index: -
	Units group: -	Unit selection: -	Func. diagram: 9572
	Min	Max	Factory setting
	0	2	0
Description:	Sets the analog output type. p0776[x] = 1 corresponds to a voltage output (p0774, p0778, p0780 are displayed in V). p0776[x] = 0, 2 corresponds to a current output (p0774, p0778, p0780 are displayed in mA).		
Value:	0: Current output (0 mA ... +20 mA) 1: Voltage output (0 V ... +10 V) 2: Current output (+4 mA ... +20 mA)		
Index:	[0] = AO0 (T 12/13) [1] = AO1 (T 26/27)		
Note:	When changing p0776, the parameters of the scaling characteristic (p0777, p0778, p0779, p0780) are overwritten with the following default values: For p0776 = 0, p0777 is set to 0.0 %, p0778 = 0.0 mA, p0779 = 100.0 % and p0780 to 20.0 mA. For p0776 = 1, p0777 is set to 0.0 %, p0778 = 0.0 V, p0779 = 100.0 % and p0780 to 10.0 V. For p0776 = 2, p0777 is set to 0.0 %, p0778 = 4.0 mA, p0779 = 100.0 % and p0780 to 20.0 mA.		
p0777[0...1]	CU analog outputs characteristic value x1 / CU AO char x1		
	Access level: 2	Calculated: -	Data type: FloatingPoint32
	Can be changed: U, T	Scaling: -	Dyn. index: -
	Units group: -	Unit selection: -	Func. diagram: 9572
	Min	Max	Factory setting
	-1000.00 [%]	1000.00 [%]	0.00 [%]
Description:	Sets the scaling characteristic for the analog outputs. The scaling characteristic for the analog outputs is defined using 2 points. This parameter specifies the x coordinate (percentage) of the 1st value pair of the characteristic.		
Index:	[0] = AO0 (T 12/13) [1] = AO1 (T 26/27)		
Dependency:	Refer to: p0776		
Notice:	This parameter is automatically overwritten when changing p0776 (type of analog outputs).		
Note:	The parameters for the characteristic do not have a limiting effect.		

p0778[0...1]	CU analog outputs characteristic value y1 / CU AO char y1		
	Access level: 2	Calculated: -	Data type: FloatingPoint32
	Can be changed: U, T	Scaling: -	Dyn. index: -
	Units group: -	Unit selection: -	Func. diagram: 9572
	Min	Max	Factory setting
	-20.000 [V]	20.000 [V]	0.000 [V]
Description:	Sets the scaling characteristic for the analog outputs. The scaling characteristic for the analog outputs is defined using 2 points. This parameter specifies the y coordinate (output voltage in V or output current in mA) of the 1st value pair of the characteristic.		
Index:	[0] = AO0 (T 12/13) [1] = AO1 (T 26/27)		
Dependency:	The unit of this parameter (V or mA) depends on the analog output type. Refer to: p0776		
Notice:	This parameter is automatically overwritten when changing p0776 (type of analog outputs).		
Note:	The parameters for the characteristic do not have a limiting effect.		
p0779[0...1]	CU analog outputs characteristic value x2 / CU AO char x2		
	Access level: 2	Calculated: -	Data type: FloatingPoint32
	Can be changed: U, T	Scaling: -	Dyn. index: -
	Units group: -	Unit selection: -	Func. diagram: 9572
	Min	Max	Factory setting
	-1000.00 [%]	1000.00 [%]	100.00 [%]
Description:	Sets the scaling characteristic for the analog outputs. The scaling characteristic for the analog outputs is defined using 2 points. This parameter specifies the x coordinate (percentage) of the 2nd value pair of the characteristic.		
Index:	[0] = AO0 (T 12/13) [1] = AO1 (T 26/27)		
Dependency:	Refer to: p0776		
Notice:	This parameter is automatically overwritten when changing p0776 (type of analog outputs).		
Note:	The parameters for the characteristic do not have a limiting effect.		
p0780[0...1]	CU analog outputs characteristic value y2 / CU AO char y2		
	Access level: 2	Calculated: -	Data type: FloatingPoint32
	Can be changed: U, T	Scaling: -	Dyn. index: -
	Units group: -	Unit selection: -	Func. diagram: 9572
	Min	Max	Factory setting
	-20.000 [V]	20.000 [V]	20.000 [V]
Description:	Sets the scaling characteristic for the analog outputs. The scaling characteristic for the analog outputs is defined using 2 points. This parameter specifies the y coordinate (output voltage in V or output current in mA) of the 2nd value pair of the characteristic.		
Index:	[0] = AO0 (T 12/13) [1] = AO1 (T 26/27)		
Dependency:	The unit of this parameter (V or mA) depends on the analog output type. Refer to: p0776		
Notice:	This parameter is automatically overwritten when changing p0776 (type of analog outputs).		
Note:	The parameters for the characteristic do not have a limiting effect.		

p0782[0...1]	BI: CU analog outputs invert signal source / CU AO inv S_src		
	Access level: 3	Calculated: -	Data type: U32 / Binary
	Can be changed: U, T	Scaling: -	Dyn. index: -
	Units group: -	Unit selection: -	Func. diagram: 9572
	Min	Max	Factory setting
	-	-	0
Description:	Sets the signal source to invert the analog output signals.		
Index:	[0] = AO0 (T 12/13) [1] = AO1 (T 26/27)		
Note:	AO: Analog Output T: Terminal		

r0785.0...1	BO: CU analog outputs status word / CU AO ZSW				
	Access level: 3	Calculated: -	Data type: Unsigned16		
	Can be changed: -	Scaling: -	Dyn. index: -		
	Units group: -	Unit selection: -	Func. diagram: 9572		
	Min	Max	Factory setting		
	-	-	-		
Description:	Displays the status of analog outputs.				
Bit field:	Bit	Signal name	1 signal	0 signal	FP
	00	AO 0 negative	Yes	No	-
	01	AO 1 negative	Yes	No	-
Note:	AO: Analog Output				

p0795	CU digital inputs simulation mode / CU DI simulation				
	Access level: 2	Calculated: -	Data type: Unsigned32		
	Can be changed: U, T	Scaling: -	Dyn. index: -		
	Units group: -	Unit selection: -	Func. diagram: 2020, 2030, 2031, 2100, 2119, 2120, 2130, 2131, 2132, 2133		
	Min	Max	Factory setting		
	-	-	0000 0000 0000 0000 0000 0000 0000 0000 bin		
Description:	Sets the simulation mode for digital inputs.				
Bit field:	Bit	Signal name	1 signal	0 signal	FP
	00	DI 0 (T. 5)	Simulation	Terminal control	-
	01	DI 1 (T. 6, 64)	Simulation	Terminal control	-
	02	DI 2 (T. 7)	Simulation	Terminal control	-
	03	DI 3 (T. 8, 65)	Simulation	Terminal control	-
	04	DI 4 (T. 16)	Simulation	Terminal control	-
	05	DI 5 (T. 17, 66)	Simulation	Terminal control	-
	06	DI 6 (T. 67)	Simulation	Terminal control	-
	11		Simulation	Terminal control	-
	12		Simulation	Terminal control	-
	16	DI 16 (T. 41)	Simulation	Terminal control	-
	17	DI 17 (T. 42)	Simulation	Terminal control	-
	18	DI 18 (T. 43)	Simulation	Terminal control	-
	19	DI 19 (T. 44)	Simulation	Terminal control	-
	24	DI/DO 24 (T. 51)	Simulation	Terminal control	-
	25	DI/DO 25 (T. 52)	Simulation	Terminal control	-
	26	DI/DO 26 (T. 53)	Simulation	Terminal control	-
	27	DI/DO 27 (T. 54)	Simulation	Terminal control	-
Dependency:	The setpoint for the input signals is specified using p0796. Refer to: p0796				
Notice:	If a digital input is used as signal source for the function "STO" (BI: p9620) then it is not permissible to select the simulation mode and this is rejected.				

2 Parameters

2.2 List of parameters

Note: This parameter is not saved when data is backed-up (p0971, p0977).
 DI: Digital Input
 DI/DO: Bidirectional Digital Input/Output

p0796	CU digital inputs simulation mode setpoint / CU DI simul setp		
Access level: 2	Calculated: -	Data type: Unsigned32	
Can be changed: U, T	Scaling: -	Dyn. index: -	
Units group: -	Unit selection: -	Func. diagram: 2201, 2221, 2222, 2230, 2231	
Min	Max	Factory setting	
-	-	0000 0000 0000 0000 0000 0000 0000 0000 0000 bin	

Description: Sets the setpoint for the input signals in the digital input simulation mode.

Bit field:	Bit	Signal name	1 signal	0 signal	FP
	00	DI 0 (T. 5)	High	Low	-
	01	DI 1 (T. 6, 64)	High	Low	-
	02	DI 2 (T. 7)	High	Low	-
	03	DI 3 (T. 8, 65)	High	Low	-
	04	DI 4 (T. 16)	High	Low	-
	05	DI 5 (T. 17, 66)	High	Low	-
	06	DI 6 (T. 67)	High	Low	-
	11	DI 11 (T. 3, 4) AI 0	High	Low	-
	12	DI 12 (T. 10, 11) AI 1	High	Low	-
	16	DI 16 (T. 41)	High	Low	-
	17	DI 17 (T. 42)	High	Low	-
	18	DI 18 (T. 43)	High	Low	-
	19	DI 19 (T. 44)	High	Low	-
	24	DI/DO 24 (T. 51)	High	Low	-
	25	DI/DO 25 (T. 52)	High	Low	-
	26	DI/DO 26 (T. 53)	High	Low	-
	27	DI/DO 27 (T. 54)	High	Low	-

Dependency: The simulation of a digital input is selected using p0795.
 Refer to: p0795

Notice: To the terminal designation:
 The first designation is valid for CU320, the second for CU310.

Note: This parameter is not saved when data is backed-up (p0971, p0977).
 DI: Digital Input
 DI/DO: Bidirectional Digital Input/Output

p0797[0...1]	CU analog inputs simulation mode / CU AI sim_mode		
Access level: 3	Calculated: -	Data type: Integer16	
Can be changed: U, T	Scaling: -	Dyn. index: -	
Units group: -	Unit selection: -	Func. diagram: -	
Min	Max	Factory setting	
0	1	0	

Description: Sets the simulation mode for the analog inputs.

Value: 0: Terminal evaluation for analog input x
 1: Simulation for analog input x

Index: [0] = AI0 (T. 3/4)
 [1] = AI1 (T. 10/11)

Dependency: The setpoint for the input voltage is specified via p0798.
 Refer to: p0798

Note: This parameter is not saved when data is backed up (p0971).
 AI: Analog Input

p0798[0...1]	CU analog inputs simulation mode setpoint / CU AI sim setp		
	Access level: 3	Calculated: -	Data type: FloatingPoint32
	Can be changed: U, T	Scaling: -	Dyn. index: -
	Units group: -	Unit selection: -	Func. diagram: -
	Min	Max	Factory setting
	-50.000	2000.000	0.000
Description:	Sets the setpoint for the input value in the simulation mode of the analog inputs.		
Index:	[0] = AI0 (T. 3/4) [1] = AI1 (T. 10/11)		
Dependency:	The simulation of an analog input is selected using p0797. If AI x is parameterized as a voltage input (p0756), the setpoint is a voltage in V. If AI x is parameterized as a current input (p0756), the setpoint is a current in mA. Refer to: p0756, p0797		
Note:	This parameter is not saved when data is backed up (p0971). AI: Analog Input		
p0802	Data transfer: memory card as source/target / mem_card src/targ		
	Access level: 3	Calculated: -	Data type: Integer16
	Can be changed: T	Scaling: -	Dyn. index: -
	Units group: -	Unit selection: -	Func. diagram: -
	Min	Max	Factory setting
	0	100	0
Description:	Sets the number for data transfer of a parameter backup from/to memory card. Transfer from memory card to device memory (p0804 = 1): - Sets the source of parameter backup (e.g. p0802 = 48 --> PS048xxx.ACX is the source). Transfer from non-volatile device memory to memory card (p0804 = 2): - Sets the target of parameter backup (e.g. p0802 = 23 --> PS023xxx.ACX is the target).		
Dependency:	Refer to: p0803, p0804		
Notice:	If the data between the volatile and non-volatile device memories differ, then it may be necessary to save the data on the memory card in a non-volatile fashion prior to the transfer (e.g. p0971 = 1).		
p0803	Data transfer: device memory as source/target / Dev_mem src/targ		
	Access level: 3	Calculated: -	Data type: Integer16
	Can be changed: T	Scaling: -	Dyn. index: -
	Units group: -	Unit selection: -	Func. diagram: -
	Min	Max	Factory setting
	0	12	0
Description:	Sets the number for data transfer of a parameter backup from/to device memory. Transfer from memory card to device memory (p0804 = 1): - Sets the target of the parameter backup (e.g. p0803 = 10 --> PS010xxx.ACX is the target). Transfer from non-volatile device memory to memory card (p0804 = 2): - Sets the source of the parameter backup (e.g. p0803 = 11 --> PS011xxx.ACX is the source).		
Value:	0: Source/target standard 10: Source/target with setting 10 11: Source/target with setting 11 12: Source/target with setting 12		
Dependency:	Refer to: p0802, p0804		
Notice:	If the data between the volatile and non-volatile device memories differ, then it may be necessary to save the data on the memory card in a non-volatile fashion prior to the transfer (e.g. p0971 = 1).		

p0804	Data transfer start / Data transf start		
CU250S_V_DP	Access level: 3	Calculated: -	Data type: Integer16
CU250S_V_PN	Can be changed: T	Scaling: -	Dyn. index: -
	Units group: -	Unit selection: -	Func. diagram: -
	Min	Max	Factory setting
	0	1100	0
Description:	<p>Sets the transfer direction and start of data transfer between the memory card and non-volatile device memory.</p> <p>Example 1:</p> <p>The parameter backup is to be transferred from the device memory to the memory card with setting 0. The parameter backup is to be stored on the memory card with setting 22.</p> <p>p0802 = 22 (parameter backup stored on memory card as target with setting 22)</p> <p>p0803 = 0 (parameter backup stored in device memory as source with setting 0)</p> <p>p0804 = 2 (start data transfer from device memory to memory card)</p> <p>--> PS000xxx.ACX is transferred from device memory to memory card and stored as PS022xxx.ACX.</p> <p>Example 2:</p> <p>The parameter backup is to be transferred from the memory card to the device memory with setting 22. The parameter backup is to be stored in the device memory as setting 0.</p> <p>p0802 = 22 (parameter backup stored on memory card as source with setting 22)</p> <p>p0803 = 0 (parameter backup stored in device memory as target with setting 0)</p> <p>p0804 = 1 (start data transfer from memory card to device memory)</p> <p>--> PS022xxx.ACX is transferred from memory card to device memory and stored as PS000xxx.ACX.</p> <p>Example 3 (only supported for PROFIBUS/PROFINET):</p> <p>The PROFIBUS or PROFINET device master data (GSD) should be transferred from the device memory to the memory card.</p> <p>p0802 = (not relevant)</p> <p>p0803 = (not relevant)</p> <p>p0804 = 12 (start transferring the GSD files to the memory card)</p> <p>--> The GSD files are transferred from the device memory to the memory card and stored in the /SIEMENS/SINAMICS/DATA/CFG directory.</p>		
Value:	<p>0: Inactive</p> <p>1: Memory card to device memory</p> <p>2: Device memory to memory card</p> <p>12: Device memory (GSD files) to memory card</p> <p>1001: File on memory card cannot be opened</p> <p>1002: File in device memory cannot be opened</p> <p>1003: Memory card not found</p> <p>1100: File cannot be transferred</p>		
Dependency:	Refer to: p0802, p0803		
Notice:	<p>The memory card must not be removed while data is being transferred.</p> <p>For p0014 = 1, the following applies:</p> <p>After the value has been modified, no further parameter modifications can be made and the status is shown in r3996. Modifications can be made again when r3996 = 0.</p>		
Note:	<p>If a parameter backup with setting 0 is detected on the memory card when the Control Unit is switched on (PS000xxx.ACX), this is transferred automatically to the device memory.</p> <p>When the memory card is inserted, a parameter backup with setting 0 (PS000xxx.ACX) is automatically written to the memory card when the parameters are saved in a non-volatile memory (e.g. by means of "Copy RAM to ROM").</p> <p>Once the data has been successfully transferred, this parameter is automatically reset to 0. If an error occurs, the parameter is set to a value > 1000. Possible fault causes:</p> <p>p0804 = 1001:</p> <p>The parameter backup set in p0802 as the source on the memory card does not exist or there is not sufficient memory space available on the memory card.</p> <p>p0804 = 1002:</p> <p>The parameter backup set in p0803 as the source in the device memory does not exist or there is not sufficient memory space available in the device memory.</p> <p>p0804 = 1003:</p> <p>No memory card has been inserted.</p>		

p0804	Data transfer start / Data transf start		
CU250S_V	Access level: 3	Calculated: -	Data type: Integer16
CU250S_V_CAN	Can be changed: T	Scaling: -	Dyn. index: -
	Units group: -	Unit selection: -	Func. diagram: -
	Min	Max	Factory setting
	0	1100	0
Description:	<p>Sets the transfer direction and start of data transfer between the memory card and non-volatile device memory.</p> <p>Example 1:</p> <p>The parameter backup is to be transferred from the device memory to the memory card with setting 0. The parameter backup is to be stored on the memory card with setting 22.</p> <p>p0802 = 22 (parameter backup stored on memory card as target with setting 22)</p> <p>p0803 = 0 (parameter backup stored in device memory as source with setting 0)</p> <p>p0804 = 2 (start data transfer from device memory to memory card)</p> <p>--> PS000xxx.ACX is transferred from device memory to memory card and stored as PS022xxx.ACX.</p> <p>Example 2:</p> <p>The parameter backup is to be transferred from the memory card to the device memory with setting 22. The parameter backup is to be stored in the device memory as setting 0.</p> <p>p0802 = 22 (parameter backup stored on memory card as source with setting 22)</p> <p>p0803 = 0 (parameter backup stored in device memory as target with setting 0)</p> <p>p0804 = 1 (start data transfer from memory card to device memory)</p> <p>--> PS022xxx.ACX is transferred from memory card to device memory and stored as PS000xxx.ACX.</p> <p>Example 3 (only supported for PROFIBUS/PROFINET):</p> <p>The PROFIBUS or PROFINET device master data (GSD) should be transferred from the device memory to the memory card.</p> <p>p0802 = (not relevant)</p> <p>p0803 = (not relevant)</p> <p>p0804 = 12 (start transferring the GSD files to the memory card)</p> <p>--> The GSD files are transferred from the device memory to the memory card and stored in the /SIEMENS/SINAMICS/DATA/CFG directory.</p>		
Value:	<p>0: Inactive</p> <p>1: Memory card to device memory</p> <p>2: Device memory to memory card</p> <p>1001: File on memory card cannot be opened</p> <p>1002: File in device memory cannot be opened</p> <p>1003: Memory card not found</p> <p>1100: File cannot be transferred</p>		
Dependency:	Refer to: p0802, p0803		
Notice:	<p>The memory card must not be removed while data is being transferred.</p> <p>For p0014 = 1, the following applies:</p> <p>After the value has been modified, no further parameter modifications can be made and the status is shown in r3996. Modifications can be made again when r3996 = 0.</p>		
Note:	<p>If a parameter backup with setting 0 is detected on the memory card when the Control Unit is switched on (PS000xxx.ACX), this is transferred automatically to the device memory.</p> <p>When the memory card is inserted, a parameter backup with setting 0 (PS000xxx.ACX) is automatically written to the memory card when the parameters are saved in a non-volatile memory (e.g. by means of "Copy RAM to ROM").</p> <p>Once the data has been successfully transferred, this parameter is automatically reset to 0. If an error occurs, the parameter is set to a value > 1000. Possible fault causes:</p> <p>p0804 = 1001:</p> <p>The parameter backup set in p0802 as the source on the memory card does not exist or there is not sufficient memory space available on the memory card.</p> <p>p0804 = 1002:</p> <p>The parameter backup set in p0803 as the source in the device memory does not exist or there is not sufficient memory space available in the device memory.</p> <p>p0804 = 1003:</p> <p>No memory card has been inserted.</p>		

p0806 **BI: Inhibit master control / PcCtrl inhibit**

Access level: 3	Calculated: -	Data type: U32 / Binary
Can be changed: T	Scaling: -	Dyn. index: -
Units group: -	Unit selection: -	Func. diagram: -
Min	Max	Factory setting
-	-	0

Description: Sets the signal source to block the master control.
Dependency: Refer to: r0807
Note: The commissioning software (drive control panel) uses the master control, for example.

r0807.0 **BO: Master control active / PcCtrl active**

Access level: 3	Calculated: -	Data type: Unsigned8
Can be changed: -	Scaling: -	Dyn. index: -
Units group: -	Unit selection: -	Func. diagram: -
Min	Max	Factory setting
-	-	-

Description: Displays what has the master control.
The drive can be controlled via the BICO interconnection or from external (e.g. the commissioning software).

Bit field:	Bit	Signal name	1 signal	0 signal	FP
	00	Master control active	Yes	No	3030, 6031

Dependency: Refer to: p0806
Notice: The master control only influences control word 1 and speed setpoint 1. Other control words/setpoints can be transferred from another automation device.
Note: Bit 0 = 0: BICO interconnection active
Bit 0 = 1: Master control for PC/AOP
The commissioning software (drive control panel) uses the master control, for example.

p0809[0...2] **Copy Command Data Set CDS / Copy CDS**

Access level: 2	Calculated: -	Data type: Unsigned8
Can be changed: T	Scaling: -	Dyn. index: -
Units group: -	Unit selection: -	Func. diagram: 8560
Min	Max	Factory setting
0	3	0

Description: Copies one Command Data Set (CDS) into another.
Index: [0] = Source Command Data Set
[1] = Target Command Data Set
[2] = Start copying procedure
Dependency: Refer to: r3996
Notice: When the command data sets are copied, short-term communication interruptions may occur.
Note: Procedure:
1. In Index 0, enter which command data set should be copied.
2. In Index 1, enter the command data set that is to be copied into.
3. Start copying: Set index 2 from 0 to 1.
p0809[2] is automatically set to 0 when copying is completed.

p0810	BI: Command data set selection CDS bit 0 / CDS select., bit 0		
CU250S_V_DP	Access level: 2	Calculated: -	Data type: U32 / Binary
CU250S_V_PN	Can be changed: T	Scaling: -	Dyn. index: -
	Units group: -	Unit selection: -	Func. diagram: 8560
	Min	Max	Factory setting
	-	-	722.3
Description:	Sets the signal source to select the Command Data Set bit 0 (CDS bit 0).		
Dependency:	Refer to: r0050, p0811, r0836		
Notice:	The parameter may be protected as a result of p0922 or p2079 and cannot be changed.		
Note:	The Command Data Set selected using the binector inputs is displayed in r0836. The currently effective command data set is displayed in r0050. A Command Data Set can be copied using p0809.		
p0810	BI: Command data set selection CDS bit 0 / CDS select., bit 0		
CU250S_V	Access level: 2	Calculated: -	Data type: U32 / Binary
CU250S_V_CAN	Can be changed: T	Scaling: -	Dyn. index: -
	Units group: -	Unit selection: -	Func. diagram: 8560
	Min	Max	Factory setting
	-	-	0
Description:	Sets the signal source to select the Command Data Set bit 0 (CDS bit 0).		
Dependency:	Refer to: r0050, p0811, r0836		
Notice:	The parameter may be protected as a result of p0922 or p2079 and cannot be changed.		
Note:	The Command Data Set selected using the binector inputs is displayed in r0836. The currently effective command data set is displayed in r0050. A Command Data Set can be copied using p0809.		
p0811	BI: Command data set selection CDS bit 1 / CDS select., bit 1		
	Access level: 2	Calculated: -	Data type: U32 / Binary
	Can be changed: T	Scaling: -	Dyn. index: -
	Units group: -	Unit selection: -	Func. diagram: 8560
	Min	Max	Factory setting
	-	-	0
Description:	Sets the signal source to select the Command Data Set bit 1 (CDS bit 1).		
Dependency:	Refer to: r0050, p0810, r0836		
Note:	The Command Data Set selected using the binector inputs is displayed in r0836. The currently effective command data set is displayed in r0050. A Command Data Set can be copied using p0809.		
p0819[0...2]	Copy Drive Data Set DDS / Copy DDS		
	Access level: 2	Calculated: -	Data type: Unsigned8
	Can be changed: C(15)	Scaling: -	Dyn. index: -
	Units group: -	Unit selection: -	Func. diagram: 8565
	Min	Max	Factory setting
	0	3	0
Description:	Copies one Drive Data Set (DDS) into another.		
Index:	[0] = Source Drive Data Set [1] = Target Drive Data Set [2] = Start copying procedure		
Dependency:	Refer to: r3996		
Notice:	When the drive data sets are copied, short-term communication interruptions may occur.		

2 Parameters

2.2 List of parameters

Note: Procedure:
 1. In Index 0, enter which drive data set is to be copied.
 2. In Index 1, enter the drive data set data that is to be copied into.
 3. Start copying: Set index 2 from 0 to 1.
 p0819[2] is automatically set to 0 when copying is completed.

p0820[0...n]	BI: Drive Data Set selection DDS bit 0 / DDS select., bit 0		
Access level: 3	Calculated: -	Data type: U32 / Binary	
Can be changed: C(15), T	Scaling: -	Dyn. index: CDS, p0170	
Units group: -	Unit selection: -	Func. diagram: 8565, 8575	
Min	Max	Factory setting	
-	-	0	

Description: Sets the signal source to select the Drive Data Set, bit 0 (DDS, bit 0).
Dependency: Refer to: r0051, r0837
Notice: The parameter may be protected as a result of p0922 or p2079 and cannot be changed.

p0821[0...n]	BI: Drive Data Set selection DDS bit 1 / DDS select., bit 1		
Access level: 3	Calculated: -	Data type: U32 / Binary	
Can be changed: C(15), T	Scaling: -	Dyn. index: CDS, p0170	
Units group: -	Unit selection: -	Func. diagram: 8565, 8570	
Min	Max	Factory setting	
-	-	0	

Description: Sets the signal source to select the Drive Data Set, bit 1 (DDS, bit 1).
Dependency: Refer to: r0051, r0837
Notice: The parameter may be protected as a result of p0922 or p2079 and cannot be changed.

p0826[0...n]	Motor changeover motor number / Mot_chng mot No.		
Access level: 3	Calculated: -	Data type: Unsigned16	
Can be changed: C(3), T	Scaling: -	Dyn. index: MDS	
Units group: -	Unit selection: -	Func. diagram: -	
Min	Max	Factory setting	
0	3	0	

Description: Sets the freely-assignable motor number for the drive data set changeover.
 If the same motor is driven by different drive data sets, the same motor number must also be entered in these data sets.
 If the motor is also switched with the drive data set, different motor numbers must be used. In this case, the data set can only be switched when the pulse inhibit is set.

Note: If the motor numbers are identical, the same thermal motor model is used for calculation after data set changeover. If different motor numbers are used, different models are also used for calculating (the inactive motor cools down in each case).
 For the same motor number, the correction values of the Rs, Lh or kT adaptation are applied for the data set changeover (refer to r1782, r1787, r1797).

r0835.2...8	CO/BO: Data set changeover status word / DDS_ZSW		
Access level: 2	Calculated: -	Data type: Unsigned16	
Can be changed: -	Scaling: -	Dyn. index: -	
Units group: -	Unit selection: -	Func. diagram: 8575	
Min	Max	Factory setting	
-	-	-	

Description: Displays the status word for the drive data set changeover.

Bit field:	Bit	Signal name	1 signal	0 signal	FP
	02	Internal parameter calculation active	Yes	No	-
	04	Armature short circuit active	Yes	No	-

05	Identification running	Yes	No	-
07	Rotating measurement running	Yes	No	-
08	Motor data identification running	Yes	No	-

Note:

Re bit 02:

A data set changeover is delayed by the time required for the internal parameter calculation.

Re bit 04:

A data set changeover is only carried out when the armature short circuit is not activated.

Re bit 05:

A data set changeover is only carried out when pole position identification is not running.

Re bit 07:

A data set changeover is only carried out when rotating measurement is not running.

Re bit 08:

A data set changeover is only carried out when motor data identification is not running.

r0836.0...1**CO/BO: Command Data Set CDS selected / CDS selected**

Access level: 3	Calculated: -	Data type: Unsigned8
Can be changed: -	Scaling: -	Dyn. index: -
Units group: -	Unit selection: -	Func. diagram: 8560
Min	Max	Factory setting
-	-	-

Description:

Displays the command data set (CDS) selected via the binector input.

Bit field:

Bit	Signal name	1 signal	0 signal	FP
00	CDS select. bit 0	ON	OFF	-
01	CDS select. bit 1	ON	OFF	-

Dependency:

Refer to: r0050, p0810, p0811

Note:

Command data sets are selected via binector input p0810 and following.
The currently effective command data set is displayed in r0050.

r0837.0...1**CO/BO: Drive Data Set DDS selected / DDS selected**

Access level: 3	Calculated: -	Data type: Unsigned8
Can be changed: -	Scaling: -	Dyn. index: -
Units group: -	Unit selection: -	Func. diagram: 8565
Min	Max	Factory setting
-	-	-

Description:

Displays the drive data set (DDS) selected via the binector input.

Bit field:

Bit	Signal name	1 signal	0 signal	FP
00	DDS select. bit 0	ON	OFF	-
01	DDS select. bit 1	ON	OFF	-

Dependency:


Refer to: r0051, p0820, p0821

Note:

Drive data sets are selected via binector input p0820 and following.
The currently effective drive data set is displayed in r0051.
If there is only one data set, then a value of 0 is displayed in this parameter and not the selection via binector inputs.

2 Parameters

2.2 List of parameters

p0840[0...n]	BI: ON / OFF (OFF1) / ON / OFF (OFF1)		
CU250S_V_DP	Access level: 3	Calculated: -	Data type: U32 / Binary
CU250S_V_PN	Can be changed: T	Scaling: -	Dyn. index: CDS, p0170
	Units group: -	Unit selection: -	Func. diagram: 2501, 2610, 8720, 8820, 8920
	Min	Max	Factory setting
	-	-	[0] 2090.0 [1] 0 [2] 0 [3] 0
Description:	Sets the signal source for the command "ON/OFF (OFF1)". For the PROFIdrive profile, this command corresponds to control word 1 bit 0 (STW1.0).		
Recommend.:	When the setting for this binector input is changed, the motor can only be switched on by means of an appropriate signal change of the source.		
Dependency:	Refer to: p1055, p1056		
Caution:	When "master control from PC" is activated, this binector input is ineffective.		
			
Notice:	For binector input p0840 = 0 signal, the motor can be moved, jogging using binector input p1055 or p1056. The command "ON/OFF (OFF1)" can be issued using binector input p0840 or p1055/p1056. For binector input p0840 = 0 signal, the switch-on inhibit is acknowledged. Only the signal source that originally powered up can also power down again. The parameter may be protected as a result of p0922 or p2079 and cannot be changed.		
Note:	For drives with closed-loop speed control (p1300 = 20, 21), the following applies: - BI: p0840 = 0 signal: OFF1 (braking with the ramp-function generator, then pulse suppression) For drives with closed-loop torque control (p1300 = 22, 23), the following applies: - BI: p0840 = 0 signal: immediate pulse suppression For drives with closed-loop torque control (activated using p1501), the following applies: - BI: p0840 = 0 signal: No dedicated braking response, but pulse cancelation when standstill is detected (p1226, p1227) For drives with closed-loop speed/torque control, the following applies: - BI: p0840 = 0/1 signal: ON (pulses can be enabled) For active infeeds (Active Line Module and Smart Line Module) the following applies: - BI: p0840 = 0 signal: OFF1 (reduce Vdc along the ramp, then pulse suppression and pre-charging contactor/line contactor open) - BI: p0840 = 0/1 signal: ON (pre-charging contactor/line contactor close, pulses can be enabled) For passive infeeds (Basic Line Module) the following applies: - BI: p0840 = 0 signal: OFF1 (pre-charging contactor/line contactor open) - BI: p0840 = 0/1 signal: ON (pre-charging contactor/line contactor close) r0863.1 of a drive can also be selected as signal source.		
p0840[0...n]	BI: ON / OFF (OFF1) / ON / OFF (OFF1)		
CU250S_V_DP (EPOS)	Access level: 3	Calculated: -	Data type: U32 / Binary
CU250S_V_PN (EPOS)	Can be changed: T	Scaling: -	Dyn. index: CDS, p0170
	Units group: -	Unit selection: -	Func. diagram: 2501, 2610, 8720, 8820, 8920
	Min	Max	Factory setting
	-	-	[0] 722.0 [1] 0 [2] 0 [3] 0
Description:	Sets the signal source for the command "ON/OFF (OFF1)". For the PROFIdrive profile, this command corresponds to control word 1 bit 0 (STW1.0).		
Recommend.:	When the setting for this binector input is changed, the motor can only be switched on by means of an appropriate signal change of the source.		

Dependency: Refer to: p1055, p1056

Caution: When "master control from PC" is activated, this binector input is ineffective.



Notice: For binector input p0840 = 0 signal, the motor can be moved, jogging using binector input p1055 or p1056. The command "ON/OFF (OFF1)" can be issued using binector input p0840 or p1055/p1056. For binector input p0840 = 0 signal, the switch-on inhibit is acknowledged. Only the signal source that originally powered up can also power down again. The parameter may be protected as a result of p0922 or p2079 and cannot be changed.

Note: For drives with closed-loop speed control (p1300 = 20, 21), the following applies:
 - BI: p0840 = 0 signal: OFF1 (braking with the ramp-function generator, then pulse suppression)
 For drives with closed-loop torque control (p1300 = 22, 23), the following applies:
 - BI: p0840 = 0 signal: immediate pulse suppression
 For drives with closed-loop torque control (activated using p1501), the following applies:
 - BI: p0840 = 0 signal: No dedicated braking response, but pulse cancelation when standstill is detected (p1226, p1227)
 For drives with closed-loop speed/torque control, the following applies:
 - BI: p0840 = 0/1 signal: ON (pulses can be enabled)
 For active infeeds (Active Line Module and Smart Line Module) the following applies:
 - BI: p0840 = 0 signal: OFF1 (reduce V_{dc} along the ramp, then pulse suppression and pre-charging contactor/line contactor open)
 - BI: p0840 = 0/1 signal: ON (pre-charging contactor/line contactor close, pulses can be enabled)
 For passive infeeds (Basic Line Module) the following applies:
 - BI: p0840 = 0 signal: OFF1 (pre-charging contactor/line contactor open)
 - BI: p0840 = 0/1 signal: ON (pre-charging contactor/line contactor close)
 r0863.1 of a drive can also be selected as signal source.

p0840[0...n]

BI: ON / OFF (OFF1) / ON / OFF (OFF1)

CU250S_V

Access level: 3

Calculated: -

Data type: U32 / Binary

CU250S_V_CAN

Can be changed: T

Scaling: -

Dyn. index: CDS, p0170

Units group: -

Unit selection: -

Func. diagram: 2501, 2610, 8720, 8820, 8920

Min

Max

Factory setting

-

-

[0] 722.0

[1] 0

[2] 0

[3] 0

Description: Sets the signal source for the command "ON/OFF (OFF1)".

For the PROFIdrive profile, this command corresponds to control word 1 bit 0 (STW1.0).

Recommend.: When the setting for this binector input is changed, the motor can only be switched on by means of an appropriate signal change of the source.

Dependency: Refer to: p1055, p1056

Caution: When "master control from PC" is activated, this binector input is ineffective.



Notice: For binector input p0840 = 0 signal, the motor can be moved, jogging using binector input p1055 or p1056. The command "ON/OFF (OFF1)" can be issued using binector input p0840 or p1055/p1056. For binector input p0840 = 0 signal, the switch-on inhibit is acknowledged. Only the signal source that originally powered up can also power down again. The parameter may be protected as a result of p0922 or p2079 and cannot be changed.

Note: For drives with closed-loop speed control (p1300 = 20, 21), the following applies:
 - BI: p0840 = 0 signal: OFF1 (braking with the ramp-function generator, then pulse suppression)
 For drives with closed-loop torque control (p1300 = 22, 23), the following applies:
 - BI: p0840 = 0 signal: immediate pulse suppression
 For drives with closed-loop torque control (activated using p1501), the following applies:
 - BI: p0840 = 0 signal: No dedicated braking response, but pulse cancelation when standstill is detected (p1226, p1227)

2 Parameters

2.2 List of parameters

For drives with closed-loop speed/torque control, the following applies:

- BI: p0840 = 0/1 signal: ON (pulses can be enabled)

For active infeeds (Active Line Module and Smart Line Module) the following applies:

- BI: p0840 = 0 signal: OFF1 (reduce Vdc along the ramp, then pulse suppression and pre-charging contactor/line contactor open)

- BI: p0840 = 0/1 signal: ON (pre-charging contactor/line contactor close, pulses can be enabled)

For passive infeeds (Basic Line Module) the following applies:

- BI: p0840 = 0 signal: OFF1 (pre-charging contactor/line contactor open)

- BI: p0840 = 0/1 signal: ON (pre-charging contactor/line contactor close)

r0863.1 of a drive can also be selected as signal source.

p0844[0...n]	BI: No coast-down / coast-down (OFF2) signal source 1 / OFF2 S_src 1		
CU250S_V_DP	Access level: 3	Calculated: -	Data type: U32 / Binary
CU250S_V_PN	Can be changed: T	Scaling: -	Dyn. index: CDS, p0170
	Units group: -	Unit selection: -	Func. diagram: 2501, 8720, 8820, 8920
	Min	Max	Factory setting
	-	-	[0] 2090.1
			[1] 1
			[2] 2090.1
			[3] 2090.1

Description:

Sets the first signal source for the command "No coast down/coast down (OFF2)".

The following signals are AND'ed:

- BI: p0844 "No coast-down / coast-down (OFF2) signal source 1"

- BI: p0845 "No coast-down / coast-down (OFF2) signal source 2"

For the PROFIdrive profile, the result of the AND logic operation corresponds to control word 1 bit 1 (STW1.1).

BI: p0844 = 0 signal or BI: p0845 = 0 signal

- OFF2 (immediate pulse suppression and switch on inhibit)

BI: p0844 = 1 signal and BI: p0845 = 1 signal

- No OFF2 (enable is possible)

Caution:

When "master control from PC" is activated, this binector input is ineffective.



Notice:

The parameter may be protected as a result of p0922 or p2079 and cannot be changed.

Note:

For Active Line Modules, Smart Line Modules and binector input p0844 = 0 signal or p0845 = 0 signal, the following applies:

- pre-charging contactor/line contactor is additionally opened.

p0844[0...n]	BI: No coast-down / coast-down (OFF2) signal source 1 / OFF2 S_src 1		
CU250S_V_DP (EPOS)	Access level: 3	Calculated: -	Data type: U32 / Binary
CU250S_V_PN (EPOS)	Can be changed: T	Scaling: -	Dyn. index: CDS, p0170
	Units group: -	Unit selection: -	Func. diagram: 2501, 8720, 8820, 8920
	Min	Max	Factory setting
	-	-	1

Description:

Sets the first signal source for the command "No coast down/coast down (OFF2)".

The following signals are AND'ed:

- BI: p0844 "No coast-down / coast-down (OFF2) signal source 1"

- BI: p0845 "No coast-down / coast-down (OFF2) signal source 2"

For the PROFIdrive profile, the result of the AND logic operation corresponds to control word 1 bit 1 (STW1.1).

BI: p0844 = 0 signal or BI: p0845 = 0 signal

- OFF2 (immediate pulse suppression and switch on inhibit)

BI: p0844 = 1 signal and BI: p0845 = 1 signal

- No OFF2 (enable is possible)

Caution: When "master control from PC" is activated, this binector input is ineffective.



Notice: The parameter may be protected as a result of p0922 or p2079 and cannot be changed.

Note: For Active Line Modules, Smart Line Modules and binector input p0844 = 0 signal or p0845 = 0 signal, the following applies:

- pre-charging contactor/line contactor is additionally opened.

p0844[0...n]	BI: No coast-down / coast-down (OFF2) signal source 1 / OFF2 S_src 1		
CU250S_V	Access level: 3	Calculated: -	Data type: U32 / Binary
CU250S_V_CAN	Can be changed: T	Scaling: -	Dyn. index: CDS, p0170
	Units group: -	Unit selection: -	Func. diagram: 2501, 8720, 8820, 8920
	Min	Max	Factory setting
	-	-	1

Description: Sets the first signal source for the command "No coast down/coast down (OFF2)".

The following signals are AND'ed:

- BI: p0844 "No coast-down / coast-down (OFF2) signal source 1"

- BI: p0845 "No coast-down / coast-down (OFF2) signal source 2"

For the PROFIdrive profile, the result of the AND logic operation corresponds to control word 1 bit 1 (STW1.1).

BI: p0844 = 0 signal or BI: p0845 = 0 signal

- OFF2 (immediate pulse suppression and switch on inhibit)

BI: p0844 = 1 signal and BI: p0845 = 1 signal

- No OFF2 (enable is possible)

Caution: When "master control from PC" is activated, this binector input is ineffective.



Notice: The parameter may be protected as a result of p0922 or p2079 and cannot be changed.

Note: For Active Line Modules, Smart Line Modules and binector input p0844 = 0 signal or p0845 = 0 signal, the following applies:

- pre-charging contactor/line contactor is additionally opened.

p0845[0...n]	BI: No coast-down / coast-down (OFF2) signal source 2 / OFF2 S_src 2		
	Access level: 3	Calculated: -	Data type: U32 / Binary
	Can be changed: T	Scaling: -	Dyn. index: CDS, p0170
	Units group: -	Unit selection: -	Func. diagram: 2501, 8720, 8820, 8920
	Min	Max	Factory setting
	-	-	1

Description: Sets the second signal source for the command "No coast down/coast down (OFF2)".

The following signals are AND'ed:

- BI: p0844 "No coast-down / coast-down (OFF2) signal source 1"

- BI: p0845 "No coast-down / coast-down (OFF2) signal source 2"

For the PROFIdrive profile, the result of the AND logic operation corresponds to control word 1 bit 1 (STW1.1).

BI: p0844 = 0 signal or BI: p0845 = 0 signal

- OFF2 (immediate pulse suppression and switch on inhibit)

BI: p0844 = 1 signal and BI: p0845 = 1 signal

- No OFF2 (enable is possible)

Caution: When "master control from PC" is activated, this binector input is effective.



p0848[0...n]	BI: No Quick Stop / Quick Stop (OFF3) signal source 1 / OFF3 S_src 1		
CU250S_V_DP	Access level: 3	Calculated: -	Data type: U32 / Binary
CU250S_V_PN	Can be changed: T	Scaling: -	Dyn. index: CDS, p0170
	Units group: -	Unit selection: -	Func. diagram: 2501
	Min	Max	Factory setting
	-	-	[0] 2090.2
			[1] 1
			[2] 2090.2
			[3] 2090.2

Description: Sets the first signal source for the command "No quick stop/quick stop (OFF3)".
 The following signals are AND'ed:
 - BI: p0848 "No quick stop / quick stop (OFF3) signal source 1"
 - BI: p0849 "No quick stop / quick stop (OFF3) signal source 2"
 For the PROFIdrive profile, the result of the AND logic operation corresponds to control word 1 bit 2 (STW1.2).
 BI: p0848 = 0 signal or BI: p0849 = 0 signal
 - OFF3 (braking along the OFF3 ramp (p1135), then pulse suppression and switch on inhibit)
 BI: p0848 = 1 signal and BI: p0849 = 1 signal
 - No OFF3 (enable is possible)

Caution: When "master control from PC" is activated, this binector input is ineffective.



Notice: The parameter may be protected as a result of p0922 or p2079 and cannot be changed.

Note: For drives with closed-loop torque control (activated using p1501), the following applies:
 BI: p0848 = 0 signal:
 - No dedicated braking response, but pulse suppression when standstill is detected (p1226, p1227).

p0848[0...n]	BI: No Quick Stop / Quick Stop (OFF3) signal source 1 / OFF3 S_src 1		
CU250S_V_DP (EPOS)	Access level: 3	Calculated: -	Data type: U32 / Binary
CU250S_V_PN (EPOS)	Can be changed: T	Scaling: -	Dyn. index: CDS, p0170
	Units group: -	Unit selection: -	Func. diagram: 2501
	Min	Max	Factory setting
	-	-	1

Description: Sets the first signal source for the command "No quick stop/quick stop (OFF3)".
 The following signals are AND'ed:
 - BI: p0848 "No quick stop / quick stop (OFF3) signal source 1"
 - BI: p0849 "No quick stop / quick stop (OFF3) signal source 2"
 For the PROFIdrive profile, the result of the AND logic operation corresponds to control word 1 bit 2 (STW1.2).
 BI: p0848 = 0 signal or BI: p0849 = 0 signal
 - OFF3 (braking along the OFF3 ramp (p1135), then pulse suppression and switch on inhibit)
 BI: p0848 = 1 signal and BI: p0849 = 1 signal
 - No OFF3 (enable is possible)

Caution: When "master control from PC" is activated, this binector input is ineffective.



Notice: The parameter may be protected as a result of p0922 or p2079 and cannot be changed.

Note: For drives with closed-loop torque control (activated using p1501), the following applies:
 BI: p0848 = 0 signal:
 - No dedicated braking response, but pulse suppression when standstill is detected (p1226, p1227).

p0848[0...n]	BI: No Quick Stop / Quick Stop (OFF3) signal source 1 / OFF3 S_src 1		
CU250S_V	Access level: 3	Calculated: -	Data type: U32 / Binary
CU250S_V_CAN	Can be changed: T	Scaling: -	Dyn. index: CDS, p0170
	Units group: -	Unit selection: -	Func. diagram: 2501
	Min	Max	Factory setting
	-	-	1

Description: Sets the first signal source for the command "No quick stop/quick stop (OFF3)".
The following signals are AND'ed:

- BI: p0848 "No quick stop / quick stop (OFF3) signal source 1"
- BI: p0849 "No quick stop / quick stop (OFF3) signal source 2"

For the PROFIdrive profile, the result of the AND logic operation corresponds to control word 1 bit 2 (STW1.2).
BI: p0848 = 0 signal or BI: p0849 = 0 signal

- OFF3 (braking along the OFF3 ramp (p1135), then pulse suppression and switch on inhibit)
- BI: p0848 = 1 signal and BI: p0849 = 1 signal
- No OFF3 (enable is possible)

Caution: When "master control from PC" is activated, this binector input is ineffective.



Notice: The parameter may be protected as a result of p0922 or p2079 and cannot be changed.

Note: For drives with closed-loop torque control (activated using p1501), the following applies:
BI: p0848 = 0 signal:
- No dedicated braking response, but pulse suppression when standstill is detected (p1226, p1227).

p0849[0...n]	BI: No Quick Stop / Quick Stop (OFF3) signal source 2 / OFF3 S_src 2		
	Access level: 3	Calculated: -	Data type: U32 / Binary
	Can be changed: T	Scaling: -	Dyn. index: CDS, p0170
	Units group: -	Unit selection: -	Func. diagram: 2501
	Min	Max	Factory setting
	-	-	1

Description: Sets the second signal source for the command "No quick stop/quick stop (OFF3)".
The following signals are AND'ed:

- BI: p0848 "No quick stop / quick stop (OFF3) signal source 1"
- BI: p0849 "No quick stop / quick stop (OFF3) signal source 2"

For the PROFIdrive profile, the result of the AND logic operation corresponds to control word 1 bit 2 (STW1.2).
BI: p0848 = 0 signal or BI: p0849 = 0 signal

- OFF3 (braking along the OFF3 ramp (p1135), then pulse suppression and switch on inhibit)
- BI: p0848 = 1 signal and BI: p0849 = 1 signal
- No OFF3 (enable is possible)

Caution: When "master control from PC" is activated, this binector input is effective.



Note: For drives with closed-loop torque control (activated using p1501), the following applies:
BI: p0849 = 0 signal:
- No dedicated braking response, but pulse suppression when standstill is detected (p1226, p1227).

p0852[0...n]	BI: Enable operation/inhibit operation / Operation enable		
CU250S_V_DP	Access level: 3	Calculated: -	Data type: U32 / Binary
CU250S_V_PN	Can be changed: T	Scaling: -	Dyn. index: CDS, p0170
	Units group: -	Unit selection: -	Func. diagram: 2501, 8820, 8920
	Min	Max	Factory setting
	-	-	[0] 2090.3
			[1] 1
			[2] 2090.3
			[3] 2090.3

Description: Sets the signal source for the command "enable operation/inhibit operation".
 For the PROFIdrive profile, this command corresponds to control word 1 bit 3 (STW1.3).
 BI: p0852 = 0 signal
 Inhibit operation (suppress pulses).
 BI: p0852 = 1 signal
 Enable operation (pulses can be enabled).

Caution: When "master control from PC" is activated, this binector input is ineffective.



Notice: The parameter may be protected as a result of p0922 or p2079 and cannot be changed.

p0852[0...n]	BI: Enable operation/inhibit operation / Operation enable		
CU250S_V_DP (EPOS)	Access level: 3	Calculated: -	Data type: U32 / Binary
CU250S_V_PN (EPOS)	Can be changed: T	Scaling: -	Dyn. index: CDS, p0170
	Units group: -	Unit selection: -	Func. diagram: 2501, 8820, 8920
	Min	Max	Factory setting
	-	-	1

Description: Sets the signal source for the command "enable operation/inhibit operation".
 For the PROFIdrive profile, this command corresponds to control word 1 bit 3 (STW1.3).
 BI: p0852 = 0 signal
 Inhibit operation (suppress pulses).
 BI: p0852 = 1 signal
 Enable operation (pulses can be enabled).

Caution: When "master control from PC" is activated, this binector input is ineffective.



Notice: The parameter may be protected as a result of p0922 or p2079 and cannot be changed.

p0852[0...n]	BI: Enable operation/inhibit operation / Operation enable		
CU250S_V	Access level: 3	Calculated: -	Data type: U32 / Binary
CU250S_V_CAN	Can be changed: T	Scaling: -	Dyn. index: CDS, p0170
	Units group: -	Unit selection: -	Func. diagram: 2501, 8820, 8920
	Min	Max	Factory setting
	-	-	1

Description: Sets the signal source for the command "enable operation/inhibit operation".
 For the PROFIdrive profile, this command corresponds to control word 1 bit 3 (STW1.3).
 BI: p0852 = 0 signal
 Inhibit operation (suppress pulses).
 BI: p0852 = 1 signal
 Enable operation (pulses can be enabled).

Caution: When "master control from PC" is activated, this binector input is ineffective.



Notice: The parameter may be protected as a result of p0922 or p2079 and cannot be changed.

p0854[0...n]	BI: Control by PLC/no control by PLC / Master ctrl by PLC		
CU250S_V_DP	Access level: 3	Calculated: -	Data type: U32 / Binary
CU250S_V_PN	Can be changed: T	Scaling: -	Dyn. index: CDS, p0170
	Units group: -	Unit selection: -	Func. diagram: 2501, 8720, 8820, 8920
	Min	Max	Factory setting
	-	-	[0] 2090.10
			[1] 1
			[2] 2090.10
			[3] 2090.10

Description: Sets the signal source for the command "control by PLC/no control by PLC".
For the PROFIdrive profile, this command corresponds to control word 1 bit 10 (STW1.10).
BI: p0854 = 0 signal
No control by PLC
BI: p0854 = 1 signal
Master control by PLC.

Caution: When "master control from PC" is activated, this binector input is ineffective.



Notice: The parameter may be protected as a result of p0922 or p2079 and cannot be changed.

Note: This bit is used to initiate a response for the drives when the control fails (F07220). If there is no control available, then binector input p0854 should be set to 1.

If a control is available, then STW1.10 must be set to 1 (PZD1) so that the received data is updated. This applies regardless of the setting in p0854 and even in the case of free telegram configuration (p0922 = 999).

p0854[0...n]	BI: Control by PLC/no control by PLC / Master ctrl by PLC		
CU250S_V_DP (EPOS)	Access level: 3	Calculated: -	Data type: U32 / Binary
CU250S_V_PN (EPOS)	Can be changed: T	Scaling: -	Dyn. index: CDS, p0170
	Units group: -	Unit selection: -	Func. diagram: 2501, 8720, 8820, 8920
	Min	Max	Factory setting
	-	-	1

Description: Sets the signal source for the command "control by PLC/no control by PLC".
For the PROFIdrive profile, this command corresponds to control word 1 bit 10 (STW1.10).
BI: p0854 = 0 signal
No control by PLC
BI: p0854 = 1 signal
Master control by PLC.


Caution: When "master control from PC" is activated, this binector input is ineffective.



Notice: The parameter may be protected as a result of p0922 or p2079 and cannot be changed.

Note: This bit is used to initiate a response for the drives when the control fails (F07220). If there is no control available, then binector input p0854 should be set to 1.

If a control is available, then STW1.10 must be set to 1 (PZD1) so that the received data is updated. This applies regardless of the setting in p0854 and even in the case of free telegram configuration (p0922 = 999).

p0854[0...n]	BI: Control by PLC/no control by PLC / Master ctrl by PLC		
CU250S_V	Access level: 3	Calculated: -	Data type: U32 / Binary
CU250S_V_CAN	Can be changed: T	Scaling: -	Dyn. index: CDS, p0170
	Units group: -	Unit selection: -	Func. diagram: 2501, 8720, 8820, 8920
	Min	Max	Factory setting
	-	-	1
Description:	Sets the signal source for the command "control by PLC/no control by PLC". For the PROFIdrive profile, this command corresponds to control word 1 bit 10 (STW1.10). BI: p0854 = 0 signal No control by PLC BI: p0854 = 1 signal Master control by PLC.		
Caution:	When "master control from PC" is activated, this binector input is ineffective.		
			
Notice:	The parameter may be protected as a result of p0922 or p2079 and cannot be changed.		
Note:	This bit is used to initiate a response for the drives when the control fails (F07220). If there is no control available, then binector input p0854 should be set to 1. If a control is available, then STW1.10 must be set to 1 (PZD1) so that the received data is updated. This applies regardless of the setting in p0854 and even in the case of free telegram configuration (p0922 = 999).		
p0855[0...n]	BI: Unconditionally release holding brake / Uncond open brake		
	Access level: 3	Calculated: -	Data type: U32 / Binary
	Can be changed: T	Scaling: -	Dyn. index: CDS, p0170
	Units group: -	Unit selection: -	Func. diagram: 2501, 2701
	Min	Max	Factory setting
	-	-	0
Description:	Sets the signal source for the command "unconditionally open holding brake".		
Dependency:	Refer to: p0858		
Notice:	The parameter may be protected as a result of p0922 or p2079 and cannot be changed.		
Note:	The signal via BI: p0858 (unconditionally close holding brake) has a higher priority than via BI: p0855 (unconditionally open holding brake).		
p0856[0...n]	BI: Speed controller enable / n_ctrl enable		
	Access level: 3	Calculated: -	Data type: U32 / Binary
	Can be changed: T	Scaling: -	Dyn. index: CDS, p0170
	Units group: -	Unit selection: -	Func. diagram: 2501, 2701
	Min	Max	Factory setting
	-	-	1
Description:	Sets the signal source for the command "enable speed controller" (r0898.12). 0 signal: Set the I component and speed controller output to zero. 1 signal: Enable speed controller.		
Dependency:	Refer to: r0898		
Note:	If "enable speed controller" is withdrawn, then an existing brake will be closed. If "speed controller enable" is withdrawn, the pulses are not suppressed.		

p0857	Power unit monitoring time / PU t_monit		
	Access level: 3	Calculated: -	Data type: FloatingPoint32
	Can be changed: T	Scaling: -	Dyn. index: -
	Units group: -	Unit selection: -	Func. diagram: 8760, 8864, 8964
	Min	Max	Factory setting
	100.0 [ms]	60000.0 [ms]	10000.0 [ms]
Description:	Sets the monitoring time for the power unit. The monitoring time is started after an 0/1 edge of the ON/OFF1 command. If the power unit does not return a READY signal within the monitoring time, fault F07802 is output.		
Notice:	The maximum time to pre-charge the DC link is monitored in the power unit and cannot be changed. The maximum pre-charging duration depends on the power unit. The monitoring time for the pre-charging is started after the ON command (BI: p0840 = 0/1 signal). Fault F30027 is output when the maximum pre-charging duration is exceeded.		
Note:	The factory setting for p0857 depends on the power unit. The monitoring time for the ready signal of the power unit includes the time to pre-charge the DC link and, if relevant, the de-bounce time of the contactors. If an excessively low value is entered into p0857, then after enable, this results in the corresponding fault.		
p0858[0...n]	BI: Unconditionally close holding brake / Uncond close brake		
	Access level: 3	Calculated: -	Data type: U32 / Binary
	Can be changed: T	Scaling: -	Dyn. index: CDS, p0170
	Units group: -	Unit selection: -	Func. diagram: 2501, 2701
	Min	Max	Factory setting
	-	-	0
Description:	Sets the signal source for the command "unconditionally close holding brake".		
Dependency:	Refer to: p0855		
Note:	The signal via BI: p0858 (unconditionally close holding brake) has a higher priority than via BI: p0855 (unconditionally open holding brake). For a 1 signal via BI: p0858, the command "unconditionally close the holding brake" is executed and internally a zero setpoint is entered.		
p0860	BI: Line contactor feedback signal / Line contact feedb		
	Access level: 3	Calculated: -	Data type: U32 / Binary
	Can be changed: T	Scaling: -	Dyn. index: -
	Units group: -	Unit selection: -	Func. diagram: -
	Min	Max	Factory setting
	-	-	863.1
Description:	Sets the signal source for the feedback signal from the line contactor.		
Recommend.:	When the monitoring is activated (BI: p0860 not equal to r0863.1), then to control the line contactor, signal BO: r0863.1 of its own drive object should be used.		
Dependency:	Refer to: p0861, r0863		
Notice:	The line contactor monitoring is de-activated if the control signal of the particular drive object is set as the signal source for the feedback signal of the line contactor (BI: p0860 = r0863.1).		
Note:	The state of the line contactor is monitored depending on signal BO: r0863.1. When the monitoring is activated (BI: p0860 not equal to r0863.1), fault F07300 is then also output if the contactor is closed before it is controlled using r0863.1.		

p0861	Line contactor monitoring time / LineContact t_mon		
	Access level: 3	Calculated: -	Data type: FloatingPoint32
	Can be changed: T	Scaling: -	Dyn. index: -
	Units group: -	Unit selection: -	Func. diagram: -
	Min	Max	Factory setting
	0 [ms]	5000 [ms]	100 [ms]
Description:	Sets the monitoring time of the line contactor. This time starts each time that the line contactor switches (r0863.1). If a feedback signal is not received from the line contactor within the time, a message is output.		
Dependency:	Refer to: p0860, r0863		
Note:	The monitoring function is disabled for the factory setting of p0860.		

r0863.1	CO/BO: Drive coupling status word/control word / CoupleZSW/STW				
	Access level: 3	Calculated: -	Data type: Unsigned16		
	Can be changed: -	Scaling: -	Dyn. index: -		
	Units group: -	Unit selection: -	Func. diagram: -		
	Min	Max	Factory setting		
	-	-	-		
Description:	Display and BICO output for the status word and control word of the drive coupling.				
Bit field:	Bit	Signal name	1 signal	0 signal	FP
	01	Energize contactor	Yes	No	-
Note:	Re bit 01: Bit 1 is used to control an external line contactor.				

p0867	Power unit main contactor holding time after OFF1 / PU t_MC after OFF1		
	Access level: 3	Calculated: -	Data type: FloatingPoint32
	Can be changed: T	Scaling: -	Dyn. index: -
	Units group: -	Unit selection: -	Func. diagram: -
	Min	Max	Factory setting
	0.0 [ms]	500.0 [ms]	50.0 [ms]
Description:	Sets the main contactor holding time after OFF1		
Dependency:	Refer to: p0869		
Note:	After withdrawing the OFF1 enable (source of p0840), the main contactor is opened after the main contactor holding time has elapsed. For p0869 = 1 (keep main contactor closed for STO), after withdrawing STO, the switch-on inhibit must be acknowledged via the source of p0840 = 0 (OFF1) – and before the main contactor holding time expires, should go back to 1, otherwise the main contactor will open. When operating a drive connected to SINUMERIK, which only closes the main contactor with the OFF1 command (blocksize, chassis), p0867 should be set as a minimum to 50 ms.		

p0869	Sequence control configuration / Seq_ctrl config				
	Access level: 3	Calculated: -	Data type: Unsigned16		
	Can be changed: T	Scaling: -	Dyn. index: -		
	Units group: -	Unit selection: -	Func. diagram: -		
	Min	Max	Factory setting		
	-	-	0000 bin		
Description:	Sets the configuration for the sequence control.				
Bit field:	Bit	Signal name	1 signal	0 signal	FP
	00	Keep main contactor closed for STO	Yes	No	-
Dependency:	Refer to: p0867				
Note:	Re bit 00: After withdrawing the OFF1 enable (source of p0840), the main contactor is opened after the main contactor holding time has elapsed.				

For p0869.0 = 1, after withdrawing STO, the switch-on inhibit must be acknowledged via the source of p0840 = 0 (OFF1) – and before the main contactor holding time expires (p0867), should go back to 1, otherwise the main contactor will open.

p0897	BI: Parking axis selection / Parking axis sel		
	Access level: 2	Calculated: -	Data type: U32 / Binary
	Can be changed: T	Scaling: -	Dyn. index: -
	Units group: -	Unit selection: -	Func. diagram: -
	Min	Max	Factory setting
	-	-	0
Description:	Sets the signal source to select the "parking axis" function.		
Dependency:	BI: p0897 = 0 signal The function "parking axis" is not selected. BI: p0897 = 1 signal The function "parking axis" is selected.		
Notice:	The parameter may be protected as a result of p0922 or p2079 and cannot be changed.		
Note:	After it has been selected the "parking axis" function only becomes active when the pulses are suppressed.		

r0898.0...14	CO/BO: Control word sequence control / STW seq_ctrl				
	Access level: 2	Calculated: -	Data type: Unsigned16		
	Can be changed: -	Scaling: -	Dyn. index: -		
	Units group: -	Unit selection: -	Func. diagram: 2501		
	Min	Max	Factory setting		
	-	-	-		
Description:	Display and connector output for the control word of the sequence control.				
Bit field:	Bit	Signal name	1 signal	0 signal	FP
	00	ON/OFF1	Yes	No	-
	01	OC / OFF2	Yes	No	-
	02	OC / OFF3	Yes	No	-
	03	Operation enable	Yes	No	-
	04	Ramp-function generator enable	Yes	No	-
	05	Continue ramp-function generator	Yes	No	-
	06	Speed setpoint enable	Yes	No	-
	07	Command open brake	Yes	No	-
	08	Jog 1	Yes	No	3001
	09	Jog 2	Yes	No	3001
	10	Master ctrl by PLC	Yes	No	-
	12	Speed controller enable	Yes	No	-
	14	Command close brake	Yes	No	-
Note:	OC: Operating condition				

r0899.0...15	CO/BO: Status word sequence control / ZSW seq_ctrl				
	Access level: 2	Calculated: -	Data type: Unsigned16		
	Can be changed: -	Scaling: -	Dyn. index: -		
	Units group: -	Unit selection: -	Func. diagram: 2503		
	Min	Max	Factory setting		
	-	-	-		
Description:	Display and BICO output for the status word of the sequence control.				
Bit field:	Bit	Signal name	1 signal	0 signal	FP
	00	Rdy for switch on	Yes	No	-
	01	Ready	Yes	No	-
	02	Operation enabled	Yes	No	-
	03	Jog active	Yes	No	-
	04	No coasting active	OFF2 inactive	OFF2 active	-
	05	No Quick Stop active	OFF3 inactive	OFF3 active	-
	06	Switching on inhibited active	Yes	No	-
	07	Drive ready	Yes	No	-

2 Parameters

2.2 List of parameters

08	Controller enable	Yes	No	-
09	Control request	Yes	No	-
11	Pulses enabled	Yes	No	-
12	Open holding brake	Yes	No	-
13	Command close holding brake	Yes	No	-
14	Pulse enable from the brake control	Yes	No	-
15	Setpoint enable from the brake control	Yes	No	-

Note: Re bits 00, 01, 02, 04, 05, 06, 09:
For PROFIdrive, these signals are used for status word 1.
Re bit 13:
When the "Safe Brake Control" (SBC) is activated and selected, the brake is no longer controlled using this signal.
Re bit 14, 15:
These signals are only of significance when the "extended brake control" function module is activated (r0108.14 = 1).

p0918	PROFIBUS address / PB address		
CU250S_V_DP	Access level: 2	Calculated: -	Data type: Unsigned16
	Can be changed: T	Scaling: -	Dyn. index: -
	Units group: -	Unit selection: -	Func. diagram: 2401, 2410
	Min	Max	Factory setting
	1	126	126

Description: Displays or sets the PROFIBUS address for PROFIBUS interface on the Control Unit.
The address can be set as follows:
1) Using the DIP switch on the Control Unit.
--> p0918 can then only be read and displays the selected address.
--> A change only becomes effective after a POWER ON.
2) Using p0918
--> Only if all of the DIP switches are set to ON or OFF.
--> The address is saved in a non-volatile fashion using the function "copy from RAM to ROM".
--> A change only becomes effective after a POWER ON.

Notice: For p0014 = 1, the following applies:
After the value has been modified, no further parameter modifications can be made and the status is shown in r3996. Modifications can be made again when r3996 = 0.
For p0014 = 0, the following applies:
Before a changed setting becomes permanently effective, a non-volatile RAM to ROM data save is required. To do this, set p0971 = 1 or p0014 = 1.

Note: Permissible PROFIBUS addresses: 1 ... 126
Address 126 is used for commissioning.
Every PROFIBUS address change only becomes effective after a POWER ON.

p0922	PROFIdrive PZD telegram selection / PZD telegr_sel		
CU250S_V_DP	Access level: 1	Calculated: -	Data type: Unsigned16
CU250S_V_PN	Can be changed: C(1), T	Scaling: -	Dyn. index: -
	Units group: -	Unit selection: -	Func. diagram: 2401, 2421, 2422
	Min	Max	Factory setting
	1	999	1

Description: Sets the send and receive telegram.
Value:
1: Standard telegram 1, PZD-2/2
2: Standard telegram 2, PZD-4/4
3: Standard telegram 3, PZD-5/9
4: Standard telegram 4, PZD-6/14
20: Standard telegram 20, PZD-2/6
350: SIEMENS telegram 350, PZD-4/4
352: SIEMENS telegram 352, PZD-6/6
353: SIEMENS telegram 353, PZD-2/2, PKW-4/4
354: SIEMENS telegram 354, PZD-6/6, PKW-4/4
999: Free telegram configuration with BICO

Note: For p0922 = 100 ... 199, p2038 is automatically set to 1 and p2038 can no longer be changed. This means that for these telegrams, the "SIMODRIVE 611 universal" interface mode is set and cannot be changed.
If a value is not equal to 999, a telegram is set and the automatically set interconnections in the telegram are inhibited.
The inhibited interconnections can only be changed again after setting value 999.

p0922 PROFIdrive PZD telegram selection / PZD telegr_sel

CU250S_V_DP (EPOS)	Access level: 1	Calculated: -	Data type: Unsigned16
CU250S_V_PN (EPOS)	Can be changed: C(1), T	Scaling: -	Dyn. index: -
	Units group: -	Unit selection: -	Func. diagram: 2401, 2421, 2422
	Min	Max	Factory setting
	7	999	999

Description: Sets the send and receive telegram.

Value:
7: Standard telegram 7, PZD-2/2
9: Standard telegram 9, PZD-10/5
110: SIEMENS telegram 110, PZD-12/7
111: SIEMENS telegram 111, PZD-12/12
999: Free telegram configuration with BICO

Note: For p0922 = 100 ... 199, p2038 is automatically set to 1 and p2038 can no longer be changed. This means that for these telegrams, the "SIMODRIVE 611 universal" interface mode is set and cannot be changed.
If a value is not equal to 999, a telegram is set and the automatically set interconnections in the telegram are inhibited.
The inhibited interconnections can only be changed again after setting value 999.

p0925 PROFIdrive clock synchronous sign-of-life tolerance / PD SoL_tol

Access level: 3	Calculated: -	Data type: Unsigned16
Can be changed: U, T	Scaling: -	Dyn. index: -
Units group: -	Unit selection: -	Func. diagram: 2410
Min	Max	Factory setting
0	65535	1

Description: Sets the number of tolerated consecutive sign-of-life errors of the clock-cycle synchronous master.
The sign-of-life signal is normally received in PZD4 (control word 2) from the master.

Dependency: Refer to: p2045, r2065

Note: The sign-of-life monitoring is disabled for p0925 = 65535.

r0930 PROFIdrive operating mode / PD operating mode

CU250S_V_DP	Access level: 3	Calculated: -	Data type: Unsigned16
CU250S_V_PN	Can be changed: -	Scaling: -	Dyn. index: -
	Units group: -	Unit selection: -	Func. diagram: -
	Min	Max	Factory setting
	-	-	-

Description: Displays the operating mode.
1: Closed-loop speed controlled operation with ramp-function generator
2: Closed-loop position controlled operation
3: Closed-loop speed controlled operation without ramp-function generator

r0944 CO: Counter for fault buffer changes / Fault buff change

Access level: 3	Calculated: -	Data type: Unsigned16
Can be changed: -	Scaling: -	Dyn. index: -
Units group: -	Unit selection: -	Func. diagram: 8060
Min	Max	Factory setting
-	-	-

Description: Displays fault buffer changes. This counter is incremented every time the fault buffer changes.

Recommend.: Used to check whether the fault buffer has been read out consistently.

Dependency: Refer to: r0945, r0947, r0948, r0949, r2109

r0945[0...63]	Fault code / Fault code		
	Access level: 3	Calculated: -	Data type: Unsigned16
	Can be changed: -	Scaling: -	Dyn. index: -
	Units group: -	Unit selection: -	Func. diagram: 8050, 8060
	Min	Max	Factory setting
	-	-	-
Description:	Displays the numbers of faults that have occurred.		
Dependency:	Refer to: r0947, r0948, r0949, r2109, r2130, r2133, r2136, r3120, r3122		
Notice:	The properties of the fault buffer should be taken from the corresponding product documentation.		
Note:	The buffer parameters are cyclically updated in the background (refer to status signal in r2139). Fault buffer structure (general principle): r0945[0], r0949[0], r0948[0], r2109[0] --> actual fault case, fault 1 ... r0945[7], r0949[7], r0948[7], r2109[7] --> actual fault case, fault 8 r0945[8], r0949[8], r0948[8], r2109[8] --> 1st acknowledged fault case, fault 1 ... r0945[15], r0949[15], r0948[15], r2109[15] --> 1st acknowledged fault case, fault 8 ... r0945[56], r0949[56], r0948[56], r2109[56] --> 7th acknowledged fault case, fault 1 ... r0945[63], r0949[63], r0948[63], r2109[63] --> 7th acknowledged fault case, fault 8		

r0946[0...65534]	Fault code list / Fault code list		
	Access level: 3	Calculated: -	Data type: Unsigned16
	Can be changed: -	Scaling: -	Dyn. index: -
	Units group: -	Unit selection: -	Func. diagram: 8060
	Min	Max	Factory setting
	-	-	-
Description:	Lists the fault codes stored in the drive unit. The indices can only be accessed with a valid fault code.		
Dependency:	The parameter assigned to the fault code is entered in r0951 under the same index.		

r0947[0...63]	Fault number / Fault number		
	Access level: 2	Calculated: -	Data type: Unsigned16
	Can be changed: -	Scaling: -	Dyn. index: -
	Units group: -	Unit selection: -	Func. diagram: 8050, 8060
	Min	Max	Factory setting
	-	-	-
Description:	This parameter is identical to r0945.		

r0948[0...63]	Fault time received in milliseconds / t_fault recv ms		
	Access level: 3	Calculated: -	Data type: Unsigned32
	Can be changed: -	Scaling: -	Dyn. index: -
	Units group: -	Unit selection: -	Func. diagram: 8050, 8060
	Min	Max	Factory setting
	- [ms]	- [ms]	- [ms]
Description:	Displays the system runtime in milliseconds when the fault occurred.		
Dependency:	Refer to: r0945, r0947, r0949, r2109, r2130, r2133, r2136		
Notice:	The time comprises r2130 (days) and r0948 (milliseconds).		
Note:	The buffer parameters are cyclically updated in the background (refer to status signal in r2139). The structure of the fault buffer and the assignment of the indices is shown in r0945. When the parameter is read via PROFIdrive, the TimeDifference data type applies.		

r0949[0...63]	Fault value / Fault value		
	Access level: 3	Calculated: -	Data type: Integer32
	Can be changed: -	Scaling: -	Dyn. index: -
	Units group: -	Unit selection: -	Func. diagram: 8050, 8060
	Min	Max	Factory setting
	-	-	-
Description:	Displays additional information about the fault that occurred (as integer number).		
Dependency:	Refer to: r0945, r0947, r0948, r2109, r2130, r2133, r2136, r3120, r3122		
Note:	The buffer parameters are cyclically updated in the background (refer to status signal in r2139). The structure of the fault buffer and the assignment of the indices is shown in r0945.		
p0952	Fault cases counter / Fault cases qty		
	Access level: 3	Calculated: -	Data type: Unsigned16
	Can be changed: U, T	Scaling: -	Dyn. index: -
	Units group: -	Unit selection: -	Func. diagram: 6700, 8060
	Min	Max	Factory setting
	0	65535	0
Description:	Number of fault situations that have occurred since the last reset.		
Dependency:	The fault buffer is deleted (cleared) by setting p0952 to 0. Refer to: r0945, r0947, r0948, r0949, r2109, r2130, r2133, r2136		
r0963	PROFIBUS baud rate / PB baud rate		
CU250S_V_DP	Access level: 3	Calculated: -	Data type: Unsigned16
	Can be changed: -	Scaling: -	Dyn. index: -
	Units group: -	Unit selection: -	Func. diagram: -
	Min	Max	Factory setting
	0	255	-
Description:	Displays the corresponding value for the PROFIBUS baud rate.		
Value:	0: 9.6 kbit/s 1: 19.2 kbit/s 2: 93.75 kbit/s 3: 187.5 kbit/s 4: 500 kbit/s 6: 1.5 Mbit/s 7: 3 Mbit/s 8: 6 Mbit/s 9: 12 Mbit/s 10: 31.25 kbit/s 11: 45.45 kbit/s 255: Unknown		
r0964[0...6]	Device identification / Device ident		
	Access level: 2	Calculated: -	Data type: Unsigned16
	Can be changed: -	Scaling: -	Dyn. index: -
	Units group: -	Unit selection: -	Func. diagram: -
	Min	Max	Factory setting
	-	-	-
Description:	Displays the device identification.		
Index:	[0] = Company (Siemens = 42) [1] = Device type [2] = Firmware version [3] = Firmware date (year) [4] = Firmware date (day/month) [5] = Number of drive objects [6] = Firmware patch/hot fix		

2 Parameters

2.2 List of parameters

Note: Example:
r0964[0] = 42 --> SIEMENS
r0964[1] = device type, see below
r0964[2] = 403 --> first part of the firmware version V04.03 (for second part, refer to index 6)
r0964[3] = 2010 --> year 2010
r0964[4] = 1705 --> 17th of May
r0964[5] = 2 --> 2 drive objects
r0964[6] = 200 --> second part, firmware version (complete version: V04.03.02.00)
Device type:
r0964[1] = 6363 --> SINAMICS G120 CU250S-2 VECTOR
r0964[1] = 6360 --> SINAMICS G120 CU250S-2_DP VECTOR
r0964[1] = 6361 --> SINAMICS G120 CU250S-2_PN VECTOR
r0964[1] = 6362 --> SINAMICS G120 CU250S-2_CAN VECTOR

r0965	PROFdrive profile number / PD profile number		
CU250S_V_DP	Access level: 3	Calculated: -	Data type: Unsigned16
CU250S_V_PN	Can be changed: -	Scaling: -	Dyn. index: -
	Units group: -	Unit selection: -	Func. diagram: -
	Min	Max	Factory setting
	-	-	-

Description: Displays the PROFdrive profile number and profile version.
Constant value = 0329 hex.
Byte 1: Profile number = 03 hex = PROFdrive profile
Byte 2: Profile version = 29 hex = Version 4.1

Note: When the parameter is read via PROFdrive, the Octet String 2 data type applies.

p0969	System runtime relative / t_System relative		
	Access level: 3	Calculated: -	Data type: Unsigned32
	Can be changed: T	Scaling: -	Dyn. index: -
	Units group: -	Unit selection: -	Func. diagram: 8050, 8060
	Min	Max	Factory setting
	0 [ms]	4294967295 [ms]	0 [ms]

Description: Displays the system runtime in ms since the last POWER ON.

Note: The value in p0969 can only be reset to 0.
The value overflows after approx. 49 days.
When the parameter is read via PROFdrive, the TimeDifference data type applies.

p0970	Reset drive parameters / Drive par reset		
	Access level: 1	Calculated: -	Data type: Unsigned16
	Can be changed: C(1, 30)	Scaling: -	Dyn. index: -
	Units group: -	Unit selection: -	Func. diagram: -
	Min	Max	Factory setting
	0	300	0

Description: The parameter is used to initiate the reset of the drive parameters.
Parameters p0100, p0205 are not reset.
The following motor parameters are defined in accordance with the power unit: p0300 ... p0311.
When downloading settings 10, 11, 12, the buffer memory mode is automatically deactivated (p0014 = 0).

Value:

- 0: Inactive
- 1: Start a parameter reset
- 3: Start download of volatile parameters from RAM
- 5: Starts a safety parameter reset
- 10: Start loading the parameters saved with p0971=10
- 11: Start loading the parameters saved with p0971=11
- 12: Start loading the parameters saved with p0971=12

100: Start a BICO interconnection reset
300: Only Siemens int

Notice: After the value has been modified, no further parameter modifications can be made and the status is shown in r3996. Modifications can be made again when r3996 = 0.

When the buffer memory is active (see p0014), the actual parameters are backed up from RAM to ROM when a parameter set is loaded (p0970 = 10, 11, 12).

Peculiarities of communication via PROFIBUS DP:

- Communication with Class 1 masters (e.g. S7 controllers) is interrupted.
- Communication with Class 2 masters (e.g. STARTER) is retained.

Note: A factory setting run can only be started if p0010 was first set to 30 (parameter reset).

At the end of the calculations, p0970 is automatically set to 0.

Parameter reset is completed with p0970 = 0 and r3996[0] = 0.

For p0970 = 5 the following applies:

The password for Safety Integrated must be set.

When Safety Integrated is enabled, this can result in messages, which then require an acceptance test to be performed.

Then save the parameters and carry out a POWER ON.

For p0970 = 1 the following applies:

If a Safety Integrated function is parameterized (p9601), then the safety parameters are not reset. In this case, a fault (F01659) is output with fault value 2.

The following generally applies:

One index of parameters p2100, p2101, p2118, p2119, p2126, p2127 is not reset, if a parameterized message is precisely active in this index.

p0971**Save parameters / Save par**

Access level: 1	Calculated: -	Data type: Unsigned16
Can be changed: U, T	Scaling: -	Dyn. index: -
Units group: -	Unit selection: -	Func. diagram: -
Min	Max	Factory setting
0	12	0

Description: Setting to save parameters in the non-volatile memory.

When saving, only the adjustable parameters intended to be saved are taken into account.

Value:

- 0: Inactive
- 1: Save drive object
- 10: Save in non-volatile memory as setting 10
- 11: Save in non-volatile memory as setting 11
- 12: Save in non-volatile memory as setting 12

Dependency: Refer to: p0970, p1960, r3996

Caution: If a memory card (optional) is inserted – and the USB interface is not used, the following applies:



The parameters are also saved on the card and therefore overwrite any existing data!

Notice: The Control Unit power supply may only be powered down after data has been saved (i.e. after data save has been started, wait until the parameter again has the value 0).

Writing to parameters is inhibited while saving.

The progress while saving is displayed in r3996.

Note: Parameters saved with p0971 = 10, 11, 12 can be loaded again with p0970 = 10, 11 or 12.

Identification and maintenance data (I&M data, p8806 and following) are only saved for p0971 = 1.

p0972**Drive unit reset / Drv_unit reset**

Access level: 3	Calculated: -	Data type: Unsigned16
Can be changed: U, T	Scaling: -	Dyn. index: -
Units group: -	Unit selection: -	Func. diagram: -
Min	Max	Factory setting
0	3	0

Description: Sets the required procedure to execute a hardware reset for the drive unit.

Value:

- 0: Inactive
- 1: Hardware-Reset immediate

Danger:



Note:

2: Hardware reset preparation
 3: Hardware reset after cyclic communication has failed
 It must be absolutely ensured that the system is in a safe condition.
 The memory card/device memory of the Control Unit must not be accessed.

If value = 1:
 Reset is immediately executed and communications interrupted.
 After communications have been established, check the reset operation (refer below).
 If value = 2:
 Help to check the reset operation.
 Firstly, set p0972 = 2 and then read back. Secondly, set p0972 = 1 (it is possible that this request is possibly no longer acknowledged). The communication is then interrupted.
 After communications have been established, check the reset operation (refer below).
 If value = 3:
 The reset is executed after interrupting cyclic communication. This setting is used to implement a synchronized reset by a control for several drive units.
 If cyclic communication is not active, then the reset is immediately executed.
 After communications have been established, check the reset operation (refer below).
 To check the reset operation:
 After the drive unit has been restarted and communications have been established, read p0972 and check the following:
 p0972 = 0? --> The reset was successfully executed.
 p0972 > 0? --> The reset was not executed.

r0979[0...30]		PROFIdrive encoder format / PD encoder format		
Access level:	3	Calculated:	-	Data type: Unsigned32
Can be changed:	-	Scaling:	-	Dyn. index: -
Units group:	-	Unit selection:	-	Func. diagram: 4704
Min	-	Max	-	Factory setting
	-		-	-
Description:	Displays the actual position encoder used according to PROFIdrive.			
Index:	[0] = Header [1] = Type encoder 1 [2] = Resolution enc 1 [3] = Shift factor G1_XIST1 [4] = Shift factor G1_XIST2 [5] = Distinguishable revolutions encoder 1 [6...10] = Reserved [11] = Type encoder 2 [12] = Resolution enc 2 [13] = Shift factor G2_XIST1 [14] = Shift factor G2_XIST2 [15] = Distinguishable revolutions encoder 2 [16...30] = Reserved			
Note:	Information about the individual indices can be taken from the following literature: PROFIdrive Profile Drive Technology			

r0979[0...30]		PROFIdrive encoder format / PD encoder format		
CU250S_V (Pos ctrl)	Access level: 3	Calculated:	-	Data type: Unsigned32
CU250S_V_CAN (Pos ctrl)	Can be changed: -	Scaling:	-	Dyn. index: -
CU250S_V_DP (Pos ctrl)	Units group: -	Unit selection:	-	Func. diagram: 4704
CU250S_V_PN (Pos ctrl)	Min	Max	-	Factory setting
	-		-	-
Description:	Displays the actual position encoder used according to PROFIdrive.			
Index:	[0] = Header [1] = Type encoder 1 [2] = Resolution enc 1			

[3] = Shift factor G1_XIST1
 [4] = Shift factor G1_XIST2
 [5] = Distinguishable revolutions encoder 1
 [6...10] = Reserved
 [11] = Type encoder 2
 [12] = Resolution enc 2
 [13] = Shift factor G2_XIST1
 [14] = Shift factor G2_XIST2
 [15] = Distinguishable revolutions encoder 2
 [16...30] = Reserved

Note: Information about the individual indices can be taken from the following literature:
 PROFIdrive Profile Drive Technology

r0980[0...299] List of existing parameters 1 / List avail par 1

Access level: 4	Calculated: -	Data type: Unsigned16
Can be changed: -	Scaling: -	Dyn. index: -
Units group: -	Unit selection: -	Func. diagram: -
Min	Max	Factory setting
-	-	-

Description: Displays the parameters that exist for this drive.

Dependency: Refer to: r0981, r0989

Note: The existing parameters are displayed in indices 0 to 298. If an index contains the value 0, then the list ends here. In a long list, index 299 contains the parameter number at which position the list continues.

This list consists solely of the following parameters:

r0980[0...299], r0981[0...299] ... r0989[0...299]

The parameters in this list are not displayed in the expert list of the commissioning software. However, they can be read from a higher-level control system (e.g. PROFIBUS master).

r0981[0...299] List of existing parameters 2 / List avail par 2

Access level: 4	Calculated: -	Data type: Unsigned16
Can be changed: -	Scaling: -	Dyn. index: -
Units group: -	Unit selection: -	Func. diagram: -
Min	Max	Factory setting
-	-	-

Description: Displays the parameters that exist for this drive.

Dependency: Refer to: r0980, r0989

Note: The existing parameters are displayed in indices 0 to 298. If an index contains the value 0, then the list ends here. In a long list, index 299 contains the parameter number at which position the list continues.

This list consists solely of the following parameters:

r0980[0...299], r0981[0...299] ... r0989[0...299]

The parameters in this list are not displayed in the expert list of the commissioning software. However, they can be read from a higher-level control system (e.g. PROFIBUS master).

r0989[0...299] List of existing parameters 10 / List avail par 10

Access level: 4	Calculated: -	Data type: Unsigned16
Can be changed: -	Scaling: -	Dyn. index: -
Units group: -	Unit selection: -	Func. diagram: -
Min	Max	Factory setting
-	-	-

Description: Displays the parameters that exist for this drive.

Dependency: Refer to: r0980, r0981

Note: The existing parameters are displayed in indices 0 to 298. If an index contains the value 0, then the list ends here.

This list consists solely of the following parameters:

r0980[0...299], r0981[0...299] ... r0989[0...299]

The parameters in this list are not displayed in the expert list of the commissioning software. However, they can be read from a higher-level control system (e.g. PROFIBUS master).

r0990[0...99]	List of modified parameters 1 / List chang par 1		
	Access level: 4	Calculated: -	Data type: Unsigned16
	Can be changed: -	Scaling: -	Dyn. index: -
	Units group: -	Unit selection: -	Func. diagram: -
	Min	Max	Factory setting
	-	-	-
Description:	Displays those parameters with a value other than the factory setting for this drive.		
Dependency:	Refer to: r0991, r0999		
Note:	Modified parameters are displayed in indices 0 to 98. If an index contains the value 0, then the list ends here. In a long list, index 99 contains the parameter number at which position the list continues. This list consists solely of the following parameters: r0990[0...99], r0991[0...99] ... r0999[0...99] The parameters in this list are not displayed in the expert list of the commissioning software. However, they can be read from a higher-level control system (e.g. PROFIBUS master).		

r0991[0...99]	List of modified parameters 2 / List chang par 2		
	Access level: 4	Calculated: -	Data type: Unsigned16
	Can be changed: -	Scaling: -	Dyn. index: -
	Units group: -	Unit selection: -	Func. diagram: -
	Min	Max	Factory setting
	-	-	-
Description:	Displays those parameters with a value other than the factory setting for this drive.		
Dependency:	Refer to: r0990, r0999		
Note:	Modified parameters are displayed in indices 0 to 98. If an index contains the value 0, then the list ends here. In a long list, index 99 contains the parameter number at which position the list continues. This list consists solely of the following parameters: r0990[0...99], r0991[0...99] ... r0999[0...99] The parameters in this list are not displayed in the expert list of the commissioning software. However, they can be read from a higher-level control system (e.g. PROFIBUS master).		

r0999[0...99]	List of modified parameters 10 / List chang par 10		
	Access level: 4	Calculated: -	Data type: Unsigned16
	Can be changed: -	Scaling: -	Dyn. index: -
	Units group: -	Unit selection: -	Func. diagram: -
	Min	Max	Factory setting
	-	-	-
Description:	Displays those parameters with a value other than the factory setting for this drive.		
Dependency:	Refer to: r0990, r0991		
Note:	Modified parameters are displayed in indices 0 to 98. If an index contains the value 0, then the list ends here. This list consists solely of the following parameters: r0990[0...99], r0991[0...99] ... r0999[0...99] The parameters in this list are not displayed in the expert list of the commissioning software. However, they can be read from a higher-level control system (e.g. PROFIBUS master).		

p1000[0...n]	Speed setpoint selection / n_set sel		
CU250S_V_DP	Access level: 1	Calculated: -	Data type: Integer16
CU250S_V_PN	Can be changed: T	Scaling: -	Dyn. index: CDS, p0170
	Units group: -	Unit selection: -	Func. diagram: -
	Min	Max	Factory setting
	0	200	[0] 6 [1] 0 [2] 0 [3] 0

Description: Sets the source for the speed setpoint.
 For single-digit values, the following applies:
 The value specifies the main setpoint.
 For double-digit values, the following applies:
 The left-hand digit specifies the supplementary setpoint, the right-hand digit the main setpoint.
 Example:
 Value = 26
 --> The analog setpoint (2) supplies the supplementary setpoint.
 --> The fieldbus (6) supplies the main setpoint.

Value:

- 0: No main setpoint
- 1: Motorized potentiometer
- 2: Analog setpoint
- 3: Fixed speed setpoint
- 6: Fieldbus
- 7: Analog setpoint 2
- 10: Motor potentiometer + no main setpoint
- 11: Motor potentiometer + motor potentiometer
- 12: Motor potentiometer + analog setpoint
- 13: Motor potentiometer + fixed speed setpoint
- 16: Motor potentiometer + fieldbus
- 17: Motor potentiometer + analog setpoint 2
- 20: Analog setpoint + no main setpoint
- 21: Analog setpoint + motor potentiometer
- 22: Analog setpoint + analog setpoint
- 23: Analog setpoint + fixed speed setpoint
- 26: Analog setpoint + fieldbus
- 27: Analog setpoint + analog setpoint 2
- 30: Fixed speed setpoint + no main setpoint
- 31: Fixed speed setpoint + motor potentiometer
- 32: Fixed speed setpoint + analog setpoint
- 33: Fixed speed setpoint + fixed speed setpoint
- 36: Fixed speed setpoint + fieldbus
- 37: Fixed speed setpoint + analog setpoint 2
- 60: Fieldbus + no main setpoint
- 61: Fieldbus + motor potentiometer
- 62: Fieldbus + analog setpoint
- 63: Fieldbus + fixed speed setpoint
- 66: Fieldbus+fieldbus
- 67: Fieldbus + analog setpoint 2
- 70: Analog setpoint 2 + no main setpoint
- 71: Analog setpoint 2 + motor potentiometer
- 72: Analog setpoint 2 + analog setpoint
- 73: Analog setpoint 2 + fixed speed setpoint
- 76: Analog setpoint 2 + fieldbus
- 77: Analog setpoint 2 + analog setpoint 2
- 200: Analog output connection

Dependency: When changing this parameter, the following settings are influenced:
 Refer to: p1070, p1071, p1075, p1076

Caution: If p1000 is selected as the main setpoint of the fieldbus, the following BICO interconnection is set automatically:
 p2051[1] = r0063



2 Parameters

2.2 List of parameters

Notice: The parameter is possibly protected as a result of p0922.
 For PROFIBUS/PROFINET Control Units, the following applies: The parameter can be freely set by setting p0922 = 999.
 When executing a specific macro, the corresponding programmed settings are made and become active.

p1000[0...n]	Speed setpoint selection / n_set sel		
CU250S_V	Access level: 1	Calculated: -	Data type: Integer16
CU250S_V_CAN	Can be changed: T	Scaling: -	Dyn. index: CDS, p0170
	Units group: -	Unit selection: -	Func. diagram: -
	Min	Max	Factory setting
	0	200	[0] 2 [1] 0 [2] 0 [3] 0

Description: Sets the source for the speed setpoint.
 For single-digit values, the following applies:
 The value specifies the main setpoint.
 For double-digit values, the following applies:
 The left-hand digit specifies the supplementary setpoint, the right-hand digit the main setpoint.
 Example:
 Value = 26
 --> The analog setpoint (2) supplies the supplementary setpoint.
 --> The fieldbus (6) supplies the main setpoint.

Value:

- 0: No main setpoint
- 1: Motorized potentiometer
- 2: Analog setpoint
- 3: Fixed speed setpoint
- 6: Fieldbus
- 7: Analog setpoint 2
- 10: Motor potentiometer + no main setpoint
- 11: Motor potentiometer + motor potentiometer
- 12: Motor potentiometer + analog setpoint
- 13: Motor potentiometer + fixed speed setpoint
- 16: Motor potentiometer + fieldbus
- 17: Motor potentiometer + analog setpoint 2
- 20: Analog setpoint + no main setpoint
- 21: Analog setpoint + motor potentiometer
- 22: Analog setpoint + analog setpoint
- 23: Analog setpoint + fixed speed setpoint
- 26: Analog setpoint + fieldbus
- 27: Analog setpoint + analog setpoint 2
- 30: Fixed speed setpoint + no main setpoint
- 31: Fixed speed setpoint + motor potentiometer
- 32: Fixed speed setpoint + analog setpoint
- 33: Fixed speed setpoint + fixed speed setpoint
- 36: Fixed speed setpoint + fieldbus
- 37: Fixed speed setpoint + analog setpoint 2
- 60: Fieldbus + no main setpoint
- 61: Fieldbus + motor potentiometer
- 62: Fieldbus + analog setpoint
- 63: Fieldbus + fixed speed setpoint
- 66: Fieldbus+fieldbus
- 67: Fieldbus + analog setpoint 2
- 70: Analog setpoint 2 + no main setpoint
- 71: Analog setpoint 2 + motor potentiometer
- 72: Analog setpoint 2 + analog setpoint
- 73: Analog setpoint 2 + fixed speed setpoint
- 76: Analog setpoint 2 + fieldbus
- 77: Analog setpoint 2 + analog setpoint 2
- 200: Analog output connection

Dependency: When changing this parameter, the following settings are influenced:

Refer to: p1070, p1071, p1075, p1076

Caution:

If p1000 is selected as the main setpoint of the fieldbus, the following BICO interconnection is set automatically:

p2051[1] = r0063



Notice:

The parameter is possibly protected as a result of p0922.

For PROFIBUS/PROFINET Control Units, the following applies: The parameter can be freely set by setting p0922 = 999.

When executing a specific macro, the corresponding programmed settings are made and become active.

p1001[0...n]	CO: Fixed speed setpoint 1 / n_set_fixed 1		
	Access level: 2	Calculated: -	Data type: FloatingPoint32
	Can be changed: U, T	Scaling: p2000	Dyn. index: DDS, p0180
	Units group: 3_1	Unit selection: p0505	Func. diagram: 3010
	Min	Max	Factory setting
	-210000.000 [rpm]	210000.000 [rpm]	0.000 [rpm]

Description: Setting and connector output for fixed speed setpoint 1.

Dependency: Refer to: p1020, p1021, p1022, p1023, r1024, r1197

Notice: A BICO interconnection to a parameter that belongs to a drive data set always acts on the effective data set.

p1002[0...n]	CO: Fixed speed setpoint 2 / n_set_fixed 2		
	Access level: 2	Calculated: -	Data type: FloatingPoint32
	Can be changed: U, T	Scaling: p2000	Dyn. index: DDS, p0180
	Units group: 3_1	Unit selection: p0505	Func. diagram: 3010
	Min	Max	Factory setting
	-210000.000 [rpm]	210000.000 [rpm]	0.000 [rpm]

Description: Setting and connector output for fixed speed setpoint 2.

Dependency: Refer to: p1020, p1021, p1022, p1023, r1024, r1197

Notice: A BICO interconnection to a parameter that belongs to a drive data set always acts on the effective data set.

p1003[0...n]	CO: Fixed speed setpoint 3 / n_set_fixed 3		
	Access level: 2	Calculated: -	Data type: FloatingPoint32
	Can be changed: U, T	Scaling: p2000	Dyn. index: DDS, p0180
	Units group: 3_1	Unit selection: p0505	Func. diagram: 3010
	Min	Max	Factory setting
	-210000.000 [rpm]	210000.000 [rpm]	0.000 [rpm]

Description: Setting and connector output for fixed speed setpoint 3.

Dependency: Refer to: p1020, p1021, p1022, p1023, r1024, r1197

Notice: A BICO interconnection to a parameter that belongs to a drive data set always acts on the effective data set.

p1004[0...n]	CO: Fixed speed setpoint 4 / n_set_fixed 4		
	Access level: 2	Calculated: -	Data type: FloatingPoint32
	Can be changed: U, T	Scaling: p2000	Dyn. index: DDS, p0180
	Units group: 3_1	Unit selection: p0505	Func. diagram: 3010
	Min	Max	Factory setting
	-210000.000 [rpm]	210000.000 [rpm]	0.000 [rpm]

Description: Setting and connector output for fixed speed setpoint 4.

Dependency: Refer to: p1020, p1021, p1022, p1023, r1024, r1197

Notice: A BICO interconnection to a parameter that belongs to a drive data set always acts on the effective data set.

p1005[0...n]	CO: Fixed speed setpoint 5 / n_set_fixed 5		
	Access level: 2	Calculated: -	Data type: FloatingPoint32
	Can be changed: U, T	Scaling: p2000	Dyn. index: DDS, p0180
	Units group: 3_1	Unit selection: p0505	Func. diagram: 3010
	Min	Max	Factory setting
	-210000.000 [rpm]	210000.000 [rpm]	0.000 [rpm]
Description:	Setting and connector output for fixed speed setpoint 5.		
Dependency:	Refer to: p1020, p1021, p1022, p1023, r1024, r1197		
Notice:	A BICO interconnection to a parameter that belongs to a drive data set always acts on the effective data set.		
p1006[0...n]	CO: Fixed speed setpoint 6 / n_set_fixed 6		
	Access level: 2	Calculated: -	Data type: FloatingPoint32
	Can be changed: U, T	Scaling: p2000	Dyn. index: DDS, p0180
	Units group: 3_1	Unit selection: p0505	Func. diagram: 3010
	Min	Max	Factory setting
	-210000.000 [rpm]	210000.000 [rpm]	0.000 [rpm]
Description:	Setting and connector output for fixed speed setpoint 6.		
Dependency:	Refer to: p1020, p1021, p1022, p1023, r1024, r1197		
Notice:	A BICO interconnection to a parameter that belongs to a drive data set always acts on the effective data set.		
p1007[0...n]	CO: Fixed speed setpoint 7 / n_set_fixed 7		
	Access level: 2	Calculated: -	Data type: FloatingPoint32
	Can be changed: U, T	Scaling: p2000	Dyn. index: DDS, p0180
	Units group: 3_1	Unit selection: p0505	Func. diagram: 3010
	Min	Max	Factory setting
	-210000.000 [rpm]	210000.000 [rpm]	0.000 [rpm]
Description:	Setting and connector output for fixed speed setpoint 7.		
Dependency:	Refer to: p1020, p1021, p1022, p1023, r1024, r1197		
Notice:	A BICO interconnection to a parameter that belongs to a drive data set always acts on the effective data set.		
p1008[0...n]	CO: Fixed speed setpoint 8 / n_set_fixed 8		
	Access level: 2	Calculated: -	Data type: FloatingPoint32
	Can be changed: U, T	Scaling: p2000	Dyn. index: DDS, p0180
	Units group: 3_1	Unit selection: p0505	Func. diagram: 3010
	Min	Max	Factory setting
	-210000.000 [rpm]	210000.000 [rpm]	0.000 [rpm]
Description:	Setting and connector output for fixed speed setpoint 8.		
Dependency:	Refer to: p1020, p1021, p1022, p1023, r1024, r1197		
Notice:	A BICO interconnection to a parameter that belongs to a drive data set always acts on the effective data set.		
p1009[0...n]	CO: Fixed speed setpoint 9 / n_set_fixed 9		
	Access level: 2	Calculated: -	Data type: FloatingPoint32
	Can be changed: U, T	Scaling: p2000	Dyn. index: DDS, p0180
	Units group: 3_1	Unit selection: p0505	Func. diagram: 3010
	Min	Max	Factory setting
	-210000.000 [rpm]	210000.000 [rpm]	0.000 [rpm]
Description:	Setting and connector output for fixed speed setpoint 9.		
Dependency:	Refer to: p1020, p1021, p1022, p1023, r1024, r1197		
Notice:	A BICO interconnection to a parameter that belongs to a drive data set always acts on the effective data set.		

p1010[0...n]	CO: Fixed speed setpoint 10 / n_set_fixed 10		
	Access level: 2	Calculated: -	Data type: FloatingPoint32
	Can be changed: U, T	Scaling: p2000	Dyn. index: DDS, p0180
	Units group: 3_1	Unit selection: p0505	Func. diagram: 3010
	Min	Max	Factory setting
	-210000.000 [rpm]	210000.000 [rpm]	0.000 [rpm]
Description:	Setting and connector output for fixed speed setpoint 10.		
Dependency:	Refer to: p1020, p1021, p1022, p1023, r1024, r1197		
Notice:	A BICO interconnection to a parameter that belongs to a drive data set always acts on the effective data set.		
p1011[0...n]	CO: Fixed speed setpoint 11 / n_set_fixed 11		
	Access level: 2	Calculated: -	Data type: FloatingPoint32
	Can be changed: U, T	Scaling: p2000	Dyn. index: DDS, p0180
	Units group: 3_1	Unit selection: p0505	Func. diagram: 3010
	Min	Max	Factory setting
	-210000.000 [rpm]	210000.000 [rpm]	0.000 [rpm]
Description:	Setting and connector output for fixed speed setpoint 11.		
Dependency:	Refer to: p1020, p1021, p1022, p1023, r1024, r1197		
Notice:	A BICO interconnection to a parameter that belongs to a drive data set always acts on the effective data set.		
p1012[0...n]	CO: Fixed speed setpoint 12 / n_set_fixed 12		
	Access level: 2	Calculated: -	Data type: FloatingPoint32
	Can be changed: U, T	Scaling: p2000	Dyn. index: DDS, p0180
	Units group: 3_1	Unit selection: p0505	Func. diagram: 3010
	Min	Max	Factory setting
	-210000.000 [rpm]	210000.000 [rpm]	0.000 [rpm]
Description:	Setting and connector output for fixed speed setpoint 12.		
Dependency:	Refer to: p1020, p1021, p1022, p1023, r1024, r1197		
Notice:	A BICO interconnection to a parameter that belongs to a drive data set always acts on the effective data set.		
p1013[0...n]	CO: Fixed speed setpoint 13 / n_set_fixed 13		
	Access level: 2	Calculated: -	Data type: FloatingPoint32
	Can be changed: U, T	Scaling: p2000	Dyn. index: DDS, p0180
	Units group: 3_1	Unit selection: p0505	Func. diagram: 3010
	Min	Max	Factory setting
	-210000.000 [rpm]	210000.000 [rpm]	0.000 [rpm]
Description:	Setting and connector output for fixed speed setpoint 13.		
Dependency:	Refer to: p1020, p1021, p1022, p1023, r1024, r1197		
Notice:	A BICO interconnection to a parameter that belongs to a drive data set always acts on the effective data set.		
p1014[0...n]	CO: Fixed speed setpoint 14 / n_set_fixed 14		
	Access level: 2	Calculated: -	Data type: FloatingPoint32
	Can be changed: U, T	Scaling: p2000	Dyn. index: DDS, p0180
	Units group: 3_1	Unit selection: p0505	Func. diagram: 3010
	Min	Max	Factory setting
	-210000.000 [rpm]	210000.000 [rpm]	0.000 [rpm]
Description:	Setting and connector output for fixed speed setpoint 14.		
Dependency:	Refer to: p1020, p1021, p1022, p1023, r1024, r1197		
Notice:	A BICO interconnection to a parameter that belongs to a drive data set always acts on the effective data set.		

p1015[0...n]	CO: Fixed speed setpoint 15 / n_set_fixed 15		
	Access level: 2	Calculated: -	Data type: FloatingPoint32
	Can be changed: U, T	Scaling: p2000	Dyn. index: DDS, p0180
	Units group: 3_1	Unit selection: p0505	Func. diagram: 3010
	Min	Max	Factory setting
	-210000.000 [rpm]	210000.000 [rpm]	0.000 [rpm]
Description:	Setting and connector output for fixed speed setpoint 15.		
Dependency:	Refer to: p1020, p1021, p1022, p1023, r1024, r1197		
Notice:	A BICO interconnection to a parameter that belongs to a drive data set always acts on the effective data set.		
p1016	Fixed speed setpoint select mode / n_set_fix select		
	Access level: 2	Calculated: -	Data type: Integer16
	Can be changed: T	Scaling: -	Dyn. index: -
	Units group: -	Unit selection: -	Func. diagram: 3010, 3011
	Min	Max	Factory setting
	1	2	1
Description:	Sets the mode to select the fixed speed setpoint.		
Value:	1: Direct 2: Binary		
Note:	Re p1016 = 1: In this mode, the setpoint is entered via the fixed speed setpoints p1001 ... p1004. Up to 16 different setpoints are obtained by adding the individual fixed speed setpoints. Re p1016 = 2: In this mode, the setpoint is entered via the fixed speed setpoints p1001 ... p1015.		
p1020[0...n]	BI: Fixed speed setpoint selection Bit 0 / n_set_fixed Bit 0		
	Access level: 3	Calculated: -	Data type: U32 / Binary
	Can be changed: T	Scaling: -	Dyn. index: CDS, p0170
	Units group: -	Unit selection: -	Func. diagram: 2505, 3010, 3011
	Min	Max	Factory setting
	-	-	0
Description:	Sets the signal source for selecting the fixed speed setpoint.		
Dependency:	Selects the required fixed speed setpoint using p1020 ... p1023. Displays the number of the actual fixed speed setpoint in r1197. Sets the values for the fixed speed setpoints 1 ... 15 using p1001 ... p1015. Refer to: p1021, p1022, p1023, r1197		
Note:	If a fixed speed setpoint has not been selected (p1020 ... p1023 = 0, r1197 = 0), then r1024 = 0 (setpoint = 0).		
p1021[0...n]	BI: Fixed speed setpoint selection Bit 1 / n_set_fixed Bit 1		
	Access level: 3	Calculated: -	Data type: U32 / Binary
	Can be changed: T	Scaling: -	Dyn. index: CDS, p0170
	Units group: -	Unit selection: -	Func. diagram: 2505, 3010, 3011
	Min	Max	Factory setting
	-	-	0
Description:	Sets the signal source for selecting the fixed speed setpoint.		
Dependency:	Selects the required fixed speed setpoint using p1020 ... p1023. Displays the number of the actual fixed speed setpoint in r1197. Sets the values for the fixed speed setpoints 1 ... 15 using p1001 ... p1015. Refer to: p1020, p1022, p1023, r1197		
Note:	If a fixed speed setpoint has not been selected (p1020 ... p1023 = 0, r1197 = 0), then r1024 = 0 (setpoint = 0).		

p1022[0...n]	BI: Fixed speed setpoint selection Bit 2 / n_set_fixed Bit 2			
	Access level: 3	Calculated: -	Data type: U32 / Binary	
	Can be changed: T	Scaling: -	Dyn. index: CDS, p0170	
	Units group: -	Unit selection: -	Func. diagram: 2505, 3010, 3011	
	Min	Max	Factory setting	
	-	-	0	
Description:	Sets the signal source for selecting the fixed speed setpoint.			
Dependency:	Selects the required fixed speed setpoint using p1020 ... p1023. Displays the number of the actual fixed speed setpoint in r1197. Sets the values for the fixed speed setpoints 1 ... 15 using p1001 ... p1015. Refer to: p1020, p1021, p1023, r1197			
Note:	If a fixed speed setpoint has not been selected (p1020 ... p1023 = 0, r1197 = 0), then r1024 = 0 (setpoint = 0).			
p1023[0...n]	BI: Fixed speed setpoint selection Bit 3 / n_set_fixed Bit 3			
	Access level: 3	Calculated: -	Data type: U32 / Binary	
	Can be changed: T	Scaling: -	Dyn. index: CDS, p0170	
	Units group: -	Unit selection: -	Func. diagram: 2505, 3010, 3011	
	Min	Max	Factory setting	
	-	-	0	
Description:	Sets the signal source for selecting the fixed speed setpoint.			
Dependency:	Selects the required fixed speed setpoint using p1020 ... p1023. Displays the number of the actual fixed speed setpoint in r1197. Sets the values for the fixed speed setpoints 1 ... 15 using p1001 ... p1015. Refer to: p1020, p1021, p1022, r1197			
Note:	If a fixed speed setpoint has not been selected (p1020 ... p1023 = 0, r1197 = 0), then r1024 = 0 (setpoint = 0).			
r1024	CO: Fixed speed setpoint effective / n_set_fixed eff			
	Access level: 3	Calculated: -	Data type: FloatingPoint32	
	Can be changed: -	Scaling: p2000	Dyn. index: -	
	Units group: 3_1	Unit selection: p0505	Func. diagram: 3001, 3010, 3011	
	Min	Max	Factory setting	
	- [rpm]	- [rpm]	- [rpm]	
Description:	Display and connector output for the selected and active fixed speed setpoint. This setpoint is the output value for the fixed speed setpoints and must be appropriately interconnected (e.g. with the main setpoint).			
Recommend.:	Interconnect the signal with the main setpoint (CI: p1070 = r1024).			
Dependency:	Selects the required fixed speed setpoint using p1020 ... p1023. Displays the number of the actual fixed speed setpoint in r1197. Sets the values for the fixed speed setpoints 1 ... 15 using p1001 ... p1015. Refer to: p1070, r1197			
Note:	If a fixed speed setpoint has not been selected (p1020 ... p1023 = 0, r1197 = 0), then r1024 = 0 (setpoint = 0).			
r1025.0	BO: Fixed speed setpoint status / n_setp_fix status			
	Access level: 3	Calculated: -	Data type: Unsigned8	
	Can be changed: -	Scaling: -	Dyn. index: -	
	Units group: -	Unit selection: -	Func. diagram: -	
	Min	Max	Factory setting	
	-	-	-	
Description:	Display and binector output for the status when selecting the fixed speed setpoints.			
Bit field:	Bit	Signal name	1 signal	0 signal
	00	Fixed speed setpoint selected	Yes	No
Dependency:	Refer to: p1016			

Note: Re bit 00:
When the fixed speed setpoints are directly selected (p1016 = 1), this bit is set if at least 1 fixed speed setpoint is selected.

p1030[0...n]	Motorized potentiometer configuration / Mop configuration		
Access level: 3	Calculated: -	Data type: Unsigned16	
Can be changed: U, T	Scaling: -	Dyn. index: DDS, p0180	
Units group: -	Unit selection: -	Func. diagram: 3020	
Min	Max	Factory setting	
-	-	0000 0110 bin	

Description: Sets the configuration for the motorized potentiometer.

Bit field:	Bit	Signal name	1 signal	0 signal	FP
	00	Data save active	Yes	No	-
	01	Automatic mode ramp-function generator active	Yes	No	-
	02	Initial rounding-off active	Yes	No	-
	03	Save in NVRAM active	Yes	No	-
	04	Ramp-function generator always active	Yes	No	-

Notice: For p0014 = 1, the following applies:
After the value has been modified, no further parameter modifications can be made and the status is shown in r3996. Modifications can be made again when r3996 = 0.

Note: Re bit 00:
0: The setpoint for the motorized potentiometer is not saved and after ON is entered using p1040.
1: The setpoint for the motorized potentiometer is saved after OFF and after ON set to the saved value. In order to save in a non-volatile fashion, bit 03 should be set to 1.

Re bit 01:
0: Without ramp-function generator in the automatic mode (ramp-up/ramp-down time = 0).
1: With ramp-function generator in the automatic mode.
For manual operation (0 signal via BI: p1041), the ramp-function generator is always active.

Re bit 02:
0: Without initial rounding-off
1: With initial rounding-off. The selected ramp-up/down time is correspondingly exceeded. The initial rounding-off is a sensitive way of specifying small changes (progressive reaction when keys are pressed).
The jerk for the initial rounding-off is independent of the ramp-up time and only depends on the selected maximum speed (p1082). It is calculated as follows:
 $r = 0.01 \% * p1082 [1/s] / 0.13^2 [s^2]$
The jerk acts up until the maximum acceleration is reached ($a_{max} = p1082 [1/s] / p1047 [s]$), and then the drive continues to run linearly with a constant rate of acceleration. The higher the maximum acceleration (the lower that p1047 is), the longer the ramp-up time increases with respect to the set ramp-up time.

Re bit 03:
0: Non-volatile data save de-activated.
1: The setpoint for the motorized potentiometer is saved in a non-volatile fashion (for bit 00 = 1).

Re bit 04:
When the bit is set, the ramp-function generator is computed independent of the pulse enable. The actual output value of the motorized potentiometer is always in r1050.

p1035[0...n]	BI: Motorized potentiometer setpoint raise / Mop raise		
	Access level: 3	Calculated: -	Data type: U32 / Binary
	Can be changed: T	Scaling: -	Dyn. index: CDS, p0170
	Units group: -	Unit selection: -	Func. diagram: 2505, 3020
	Min	Max	Factory setting
	-	-	[0] 2090.13
			[1] 0
			[2] 0
			[3] 0
Description:	Sets the signal source to continually increase the setpoint for the motorized potentiometer. The setpoint change (CO: r1050) depends on the set ramp-up time (p1047) and the duration of the signal that is present (BI: p1035).		
Dependency:	Refer to: p1036		
Notice:	The parameter may be protected as a result of p0922 or p2079 and cannot be changed.		
p1035[0...n]	BI: Motorized potentiometer setpoint raise / Mop raise		
CU250S_V (EPOS)	Access level: 3	Calculated: -	Data type: U32 / Binary
CU250S_V_CAN (EPOS)	Can be changed: T	Scaling: -	Dyn. index: CDS, p0170
CU250S_V_DP (EPOS)	Units group: -	Unit selection: -	Func. diagram: 2505, 3020
CU250S_V_PN (EPOS)	Min	Max	Factory setting
	-	-	0
Description:	Sets the signal source to continually increase the setpoint for the motorized potentiometer. The setpoint change (CO: r1050) depends on the set ramp-up time (p1047) and the duration of the signal that is present (BI: p1035).		
Dependency:	Refer to: p1036		
Notice:	The parameter may be protected as a result of p0922 or p2079 and cannot be changed.		
p1036[0...n]	BI: Motorized potentiometer lower setpoint / Mop lower		
	Access level: 3	Calculated: -	Data type: U32 / Binary
	Can be changed: T	Scaling: -	Dyn. index: CDS, p0170
	Units group: -	Unit selection: -	Func. diagram: 2505, 3020
	Min	Max	Factory setting
	-	-	[0] 2090.14
			[1] 0
			[2] 0
			[3] 0
Description:	Sets the signal source to continuously lower the setpoint for the motorized potentiometer. The setpoint change (CO: r1050) depends on the set ramp-down time (p1048) and the duration of the signal that is present (BI: p1036).		
Dependency:	Refer to: p1035		
Notice:	The parameter may be protected as a result of p0922 or p2079 and cannot be changed.		
p1036[0...n]	BI: Motorized potentiometer lower setpoint / Mop lower		
CU250S_V (EPOS)	Access level: 3	Calculated: -	Data type: U32 / Binary
CU250S_V_CAN (EPOS)	Can be changed: T	Scaling: -	Dyn. index: CDS, p0170
CU250S_V_DP (EPOS)	Units group: -	Unit selection: -	Func. diagram: 2505, 3020
CU250S_V_PN (EPOS)	Min	Max	Factory setting
	-	-	0
Description:	Sets the signal source to continuously lower the setpoint for the motorized potentiometer. The setpoint change (CO: r1050) depends on the set ramp-down time (p1048) and the duration of the signal that is present (BI: p1036).		

2 Parameters

2.2 List of parameters

Dependency: Refer to: p1035
Notice: The parameter may be protected as a result of p0922 or p2079 and cannot be changed.

p1037[0...n]	Motorized potentiometer maximum speed / MotP n_max		
Access level: 3	Calculated: p0340 = 1,3,5	Data type: FloatingPoint32	
Can be changed: U, T	Scaling: -	Dyn. index: DDS, p0180	
Units group: 3_1	Unit selection: p0505	Func. diagram: 3020	
Min	Max	Factory setting	
-210000.000 [rpm]	210000.000 [rpm]	0.000 [rpm]	

Description: Sets the maximum speed/velocity for the motorized potentiometer.
Note: This parameter is automatically pre-assigned in the commissioning phase.
The setpoint output from the motorized potentiometer is limited to this value (see function diagram 3020).

p1038[0...n]	Motorized potentiometer minimum speed / MotP n_min		
Access level: 3	Calculated: p0340 = 1,3,5	Data type: FloatingPoint32	
Can be changed: U, T	Scaling: -	Dyn. index: DDS, p0180	
Units group: 3_1	Unit selection: p0505	Func. diagram: 3020	
Min	Max	Factory setting	
-210000.000 [rpm]	210000.000 [rpm]	0.000 [rpm]	

Description: Sets the minimum speed/velocity for the motorized potentiometer.
Note: This parameter is automatically pre-assigned in the commissioning phase.
The setpoint output from the motorized potentiometer is limited to this value (see function diagram 3020).

p1039[0...n]	BI: Motorized potentiometer inversion / MotP inv		
Access level: 3	Calculated: -	Data type: U32 / Binary	
Can be changed: T	Scaling: -	Dyn. index: CDS, p0170	
Units group: -	Unit selection: -	Func. diagram: 3020	
Min	Max	Factory setting	
-	-	0	

Description: Sets the signal source to invert the minimum speed/velocity or the maximum speed/velocity for the motorized potentiometer.

Dependency: Refer to: p1037, p1038
Note: The inversion is only active during "motorized potentiometer raise" or "motorized potentiometer lower".

p1040[0...n]	Motorized potentiometer starting value / Mop start value		
Access level: 2	Calculated: -	Data type: FloatingPoint32	
Can be changed: U, T	Scaling: -	Dyn. index: DDS, p0180	
Units group: 3_1	Unit selection: p0505	Func. diagram: 3020	
Min	Max	Factory setting	
-210000.000 [rpm]	210000.000 [rpm]	0.000 [rpm]	

Description: Sets the starting value for the motorized potentiometer. This starting value becomes effective after the drive has been powered up.

Dependency: Only effective if p1030.0 = 0.
Refer to: p1030

p1041[0...n]	BI: Motorized potentiometer manual/automatic / Mop manual/auto		
	Access level: 3	Calculated: -	Data type: U32 / Binary
	Can be changed: T	Scaling: -	Dyn. index: CDS, p0170
	Units group: -	Unit selection: -	Func. diagram: 3020
	Min	Max	Factory setting
	-	-	0
Description:	Sets the signal source to change over from manual to automatic when using a motorized potentiometer. In the manual mode, the setpoint is changed using two signals - raise and lower. In the automatic mode, the setpoint must be interconnected via a connector input.		
Dependency:	Refer to: p1030, p1035, p1036, p1042		
Note:	The effectiveness of the internal ramp-function generator can be set in automatic mode.		
p1042[0...n]	CI: Motorized potentiometer automatic setpoint / Mop auto setpoint		
	Access level: 3	Calculated: -	Data type: U32 / FloatingPoint32
	Can be changed: T	Scaling: p2000	Dyn. index: CDS, p0170
	Units group: -	Unit selection: -	Func. diagram: 3020
	Min	Max	Factory setting
	-	-	0
Description:	Sets the signal source for the setpoint of the motorized potentiometer in the automatic mode.		
Dependency:	Refer to: p1041		
p1043[0...n]	BI: Motorized potentiometer accept setting value / MotP acc set val		
	Access level: 3	Calculated: -	Data type: U32 / Binary
	Can be changed: T	Scaling: -	Dyn. index: CDS, p0170
	Units group: -	Unit selection: -	Func. diagram: 3020
	Min	Max	Factory setting
	-	-	0
Description:	Sets the signal source to accept the setting value for the motorized potentiometer.		
Dependency:	Refer to: p1044		
Note:	The setting value (CI: p1044) becomes effective for a 0/1 edge of the setting command (BI: p1043).		
p1044[0...n]	CI: Motorized potentiometer setting value / Mop set val		
	Access level: 3	Calculated: -	Data type: U32 / FloatingPoint32
	Can be changed: T	Scaling: p2000	Dyn. index: CDS, p0170
	Units group: -	Unit selection: -	Func. diagram: 3020
	Min	Max	Factory setting
	-	-	0
Description:	Sets the signal source for the setting value for the motorized potentiometer.		
Dependency:	Refer to: p1043		
Note:	The setting value (CI: p1044) becomes effective for a 0/1 edge of the setting command (BI: p1043).		
r1045	CO: Mot. potentiometer speed setp. in front of ramp-fct. gen. / Mop n_set bef RFG		
	Access level: 3	Calculated: -	Data type: FloatingPoint32
	Can be changed: -	Scaling: p2000	Dyn. index: -
	Units group: 3_1	Unit selection: p0505	Func. diagram: 3020
	Min	Max	Factory setting
	- [rpm]	- [rpm]	- [rpm]
Description:	Sets the effective setpoint in front of the internal motorized potentiometer ramp-function generator.		

p1047[0...n]	Motorized potentiometer ramp-up time / Mop ramp-up time		
	Access level: 2	Calculated: -	Data type: FloatingPoint32
	Can be changed: U, T	Scaling: -	Dyn. index: DDS, p0180
	Units group: -	Unit selection: -	Func. diagram: 3020
	Min	Max	Factory setting
	0.000 [s]	1000.000 [s]	10.000 [s]
Description:	Sets the ramp-up time for the internal ramp-function generator for the motorized potentiometer. The setpoint is changed from zero up to the speed/velocity limit (p1082) within this time (if no initial rounding-off has been activated).		
Dependency:	Refer to: p1030, p1048, p1082		
Note:	When the initial rounding-off is activated (p1030.2) the ramp-up time is correspondingly extended.		
p1048[0...n]	Motorized potentiometer ramp-down time / Mop ramp-down time		
	Access level: 2	Calculated: -	Data type: FloatingPoint32
	Can be changed: U, T	Scaling: -	Dyn. index: DDS, p0180
	Units group: -	Unit selection: -	Func. diagram: 3020
	Min	Max	Factory setting
	0.000 [s]	1000.000 [s]	10.000 [s]
Description:	Sets the ramp-down time for the internal ramp-function generator for the motorized potentiometer. The setpoint is changed from the speed/velocity limit (p1082) to zero within this time (if no initial rounding-off has been activated).		
Dependency:	Refer to: p1030, p1047, p1082		
Note:	The deceleration time is extended corresponding to the activated initial rounding-off (p1030.2).		
r1050	CO: Motor. potentiometer setpoint after the ramp-function generator / Mop setp after RFG		
	Access level: 2	Calculated: -	Data type: FloatingPoint32
	Can be changed: -	Scaling: p2000	Dyn. index: -
	Units group: 3_1	Unit selection: p0505	Func. diagram: 3001, 3020
	Min	Max	Factory setting
	- [rpm]	- [rpm]	- [rpm]
Description:	Sets the effective setpoint after the internal motorized potentiometer ramp-function generator. This setpoint is the output value of the motorized potentiometer and must be appropriately interconnected onwards (e.g. with the main setpoint).		
Recommend.:	Interconnect the signal with main setpoint (p1070).		
Dependency:	Refer to: p1070		
Note:	For "With ramp-function generator", after an OFF1, OFF2, OFF3 or for a 0 signal via BI: p0852 (inhibit operation, suppress pulses) the ramp-function generator output (r1050) is set to the starting value (configuration via p1030.0).		
p1051[0...n]	CI: Speed limit RFG positive direction of rotation / n_limit RFG pos		
	Access level: 3	Calculated: -	Data type: U32 / FloatingPoint32
	Can be changed: T	Scaling: p2000	Dyn. index: CDS, p0170
	Units group: -	Unit selection: -	Func. diagram: 3050
	Min	Max	Factory setting
	-	-	9733[0]
Description:	Sets the signal source for the speed limit of the positive direction on the ramp-function generator input.		
Note:	The OFF3 ramp-down time (p1135) is effective when the limit is reduced.		

p1052[0...n]	Cl: Speed limit RFG negative direction of rotation / n_limit RFG neg		
	Access level: 3	Calculated: -	Data type: U32 / FloatingPoint32
	Can be changed: T	Scaling: p2000	Dyn. index: CDS, p0170
	Units group: -	Unit selection: -	Func. diagram: 3050
	Min	Max	Factory setting
	-	-	9733[1]
Description:	Sets the signal source for the speed limit of the negative direction on the ramp-function generator input.		
Note:	The OFF3 ramp-down time (p1135) is effective when the limit is reduced.		
p1055[0...n]	Bl: Jog bit 0 / Jog bit 0		
CU250S_V_DP	Access level: 3	Calculated: -	Data type: U32 / Binary
CU250S_V_PN	Can be changed: T	Scaling: -	Dyn. index: CDS, p0170
	Units group: -	Unit selection: -	Func. diagram: 2501, 3030
	Min	Max	Factory setting
	-	-	[0] 0
			[1] 722.0
			[2] 0
			[3] 0
Description:	Sets the signal source for jog 1.		
Recommend.:	When the setting for this binector input is changed, the motor can only be switched on by means of an appropriate signal change of the source.		
Dependency:	Refer to: p0840, p1058		
Notice:	The drive is enabled for jogging using Bl: p1055 or Bl: p1056. The command "ON/OFF1" can be issued using Bl: p0840 or using Bl: p1055/p1056. Only the signal source that was used to power up can also be used to power down again.		
p1055[0...n]	Bl: Jog bit 0 / Jog bit 0		
CU250S_V	Access level: 3	Calculated: -	Data type: U32 / Binary
CU250S_V_CAN	Can be changed: T	Scaling: -	Dyn. index: CDS, p0170
	Units group: -	Unit selection: -	Func. diagram: 2501, 3030
	Min	Max	Factory setting
	-	-	0
Description:	Sets the signal source for jog 1.		
Recommend.:	When the setting for this binector input is changed, the motor can only be switched on by means of an appropriate signal change of the source.		
Dependency:	Refer to: p0840, p1058		
Notice:	The drive is enabled for jogging using Bl: p1055 or Bl: p1056. The command "ON/OFF1" can be issued using Bl: p0840 or using Bl: p1055/p1056. Only the signal source that was used to power up can also be used to power down again.		
p1056[0...n]	Bl: Jog bit 1 / Jog bit 1		
CU250S_V_DP	Access level: 3	Calculated: -	Data type: U32 / Binary
CU250S_V_PN	Can be changed: T	Scaling: -	Dyn. index: CDS, p0170
	Units group: -	Unit selection: -	Func. diagram: 2501, 3030
	Min	Max	Factory setting
	-	-	[0] 0
			[1] 722.1
			[2] 0
			[3] 0
Description:	Sets the signal source for jog 2.		
Recommend.:	When the setting for this binector input is changed, the motor can only be switched on by means of an appropriate signal change of the source.		
Dependency:	Refer to: p0840, p1059		

2 Parameters

2.2 List of parameters

Notice: The drive is enabled for jogging using BI: p1055 or BI: p1056.
The command "ON/OFF1" can be issued using BI: p0840 or using BI: p1055/p1056.
Only the signal source that was used to power up can also be used to power down again.

p1056[0...n]	BI: Jog bit 1 / Jog bit 1		
CU250S_V	Access level: 3	Calculated: -	Data type: U32 / Binary
CU250S_V_CAN	Can be changed: T	Scaling: -	Dyn. index: CDS, p0170
	Units group: -	Unit selection: -	Func. diagram: 2501, 3030
	Min	Max	Factory setting
	-	-	0

Description: Sets the signal source for jog 2.

Recommend.: When the setting for this binector input is changed, the motor can only be switched on by means of an appropriate signal change of the source.

Dependency: Refer to: p0840, p1059

Notice: The drive is enabled for jogging using BI: p1055 or BI: p1056.
The command "ON/OFF1" can be issued using BI: p0840 or using BI: p1055/p1056.
Only the signal source that was used to power up can also be used to power down again.

p1058[0...n]	Jog 1 speed setpoint / Jog 1 n_set		
	Access level: 2	Calculated: -	Data type: FloatingPoint32
	Can be changed: T	Scaling: -	Dyn. index: DDS, p0180
	Units group: 3_1	Unit selection: p0505	Func. diagram: 3001, 3030
	Min	Max	Factory setting
	-210000.000 [rpm]	210000.000 [rpm]	150.000 [rpm]

Description: Sets the speed for jog 1.

Jogging (JOG) is level-triggered, and allows the motor to be incrementally traversed.

Dependency: Refer to: p1055, p1056

p1059[0...n]	Jog 2 speed setpoint / Jog 2 n_set		
	Access level: 2	Calculated: -	Data type: FloatingPoint32
	Can be changed: T	Scaling: -	Dyn. index: DDS, p0180
	Units group: 3_1	Unit selection: p0505	Func. diagram: 3001, 3030
	Min	Max	Factory setting
	-210000.000 [rpm]	210000.000 [rpm]	-150.000 [rpm]

Description: Sets the speed for jog 2.

Jogging (JOG) is level-triggered, and allows the motor to be incrementally traversed.

Dependency: Refer to: p1055, p1056

p1063[0...n]	Speed limit setpoint channel / n_limit setp		
	Access level: 3	Calculated: -	Data type: FloatingPoint32
	Can be changed: U, T	Scaling: -	Dyn. index: DDS, p0180
	Units group: 3_1	Unit selection: p0505	Func. diagram: 3040
	Min	Max	Factory setting
	0.000 [rpm]	210000.000 [rpm]	210000.000 [rpm]

Description: Sets the speed limit/velocity limit effective in the setpoint channel.

Dependency: Refer to: p1082, p1083, p1085, p1086, p1088

p1070[0...n]	CI: Main setpoint / Main setpoint		
CU250S_V_DP	Access level: 3	Calculated: -	Data type: U32 / FloatingPoint32
CU250S_V_PN	Can be changed: T	Scaling: p2000	Dyn. index: CDS, p0170
	Units group: -	Unit selection: -	Func. diagram: 3001, 3030
	Min	Max	Factory setting
	-	-	[0] 2050[1]
			[1] 0
			[2] 0
			[3] 0
Description:	Sets the signal source for the main setpoint. Examples: r1024: Fixed speed setpoint effective r1050: Motor. potentiometer setpoint after the ramp-function generator		
Dependency:	Refer to: p1071, r1073, r1078		
Notice:	The parameter may be protected as a result of p0922 or p2079 and cannot be changed.		

p1070[0...n]	CI: Main setpoint / Main setpoint		
CU250S_V	Access level: 3	Calculated: -	Data type: U32 / FloatingPoint32
CU250S_V_CAN	Can be changed: T	Scaling: p2000	Dyn. index: CDS, p0170
	Units group: -	Unit selection: -	Func. diagram: 3001, 3030
	Min	Max	Factory setting
	-	-	[0] 755[0]
			[1] 0
			[2] 0
			[3] 0
Description:	Sets the signal source for the main setpoint. Examples: r1024: Fixed speed setpoint effective r1050: Motor. potentiometer setpoint after the ramp-function generator		
Dependency:	Refer to: p1071, r1073, r1078		
Notice:	The parameter may be protected as a result of p0922 or p2079 and cannot be changed.		

p1070[0...n]	CI: Main setpoint / Main setpoint		
CU250S_V (EPOS)	Access level: 3	Calculated: -	Data type: U32 / FloatingPoint32
CU250S_V_CAN (EPOS)	Can be changed: T	Scaling: p2000	Dyn. index: CDS, p0170
CU250S_V_DP (EPOS)	Units group: -	Unit selection: -	Func. diagram: 3001, 3030
CU250S_V_PN (EPOS)	Min	Max	Factory setting
	-	-	0
Description:	Sets the signal source for the main setpoint. Examples: r1024: Fixed speed setpoint effective r1050: Motor. potentiometer setpoint after the ramp-function generator		
Dependency:	Refer to: p1071, r1073, r1078		
Notice:	The parameter may be protected as a result of p0922 or p2079 and cannot be changed.		

2 Parameters

2.2 List of parameters

p1071[0...n]	CI: Main setpoint scaling / Main setp scal		
	Access level: 3	Calculated: -	Data type: U32 / FloatingPoint32
	Can be changed: T	Scaling: PERCENT	Dyn. index: CDS, p0170
	Units group: -	Unit selection: -	Func. diagram: 3001, 3030
	Min	Max	Factory setting
	-	-	1
Description:	Sets the signal source for scaling the main setpoint.		

r1073	CO: Main setpoint effective / Main setpoint eff		
	Access level: 3	Calculated: -	Data type: FloatingPoint32
	Can be changed: -	Scaling: p2000	Dyn. index: -
	Units group: 3_1	Unit selection: p0505	Func. diagram: 3030
	Min	Max	Factory setting
	- [rpm]	- [rpm]	- [rpm]
Description:	Displays the effective main setpoint. The value shown is the main setpoint after scaling.		

p1075[0...n]	CI: Supplementary setpoint / Suppl setp		
	Access level: 3	Calculated: -	Data type: U32 / FloatingPoint32
	Can be changed: T	Scaling: p2000	Dyn. index: CDS, p0170
	Units group: -	Unit selection: -	Func. diagram: 3001, 3030
	Min	Max	Factory setting
	-	-	0
Description:	Sets the signal source for the supplementary setpoint.		
Dependency:	Refer to: p1076, r1077, r1078		

p1076[0...n]	CI: Supplementary setpoint scaling / Suppl setp scal		
	Access level: 3	Calculated: -	Data type: U32 / FloatingPoint32
	Can be changed: T	Scaling: PERCENT	Dyn. index: CDS, p0170
	Units group: -	Unit selection: -	Func. diagram: 3001, 3030
	Min	Max	Factory setting
	-	-	1
Description:	Sets the signal source for scaling the supplementary setpoint.		

r1077	CO: Supplementary setpoint effective / Suppl setpoint eff		
	Access level: 3	Calculated: -	Data type: FloatingPoint32
	Can be changed: -	Scaling: p2000	Dyn. index: -
	Units group: 3_1	Unit selection: p0505	Func. diagram: 3030
	Min	Max	Factory setting
	- [rpm]	- [rpm]	- [rpm]
Description:	Displays the effective supplementary setpoint. The value shown is the additional setpoint after scaling.		

r1078	CO: Total setpoint effective / Total setpoint eff		
	Access level: 3	Calculated: -	Data type: FloatingPoint32
	Can be changed: -	Scaling: p2000	Dyn. index: -
	Units group: 3_1	Unit selection: p0505	Func. diagram: 3030
	Min	Max	Factory setting
	- [rpm]	- [rpm]	- [rpm]
Description:	Displays the total effective setpoint. The value indicates the sum of the effective main setpoint and supplementary setpoint.		

p1080[0...n]	Minimum speed / n_min		
	Access level: 1	Calculated: -	Data type: FloatingPoint32
	Can be changed: C(1), T	Scaling: -	Dyn. index: DDS, p0180
	Units group: 3_1	Unit selection: p0505	Func. diagram: 3050, 8020
	Min	Max	Factory setting
	0.000 [rpm]	19500.000 [rpm]	0.000 [rpm]
Description:	Sets the lowest possible motor speed. This value is not undershot in operation.		
Dependency:	Refer to: p1106		
Notice:	The effective minimum speed is formed from p1080 and p1106.		
Note:	The parameter value applies for both motor directions. In exceptional cases, the motor can operate below this value (e.g. when reversing).		
p1080[0...n]	Minimum speed / n_min		
CU250S_V (Ext msg)	Access level: 1	Calculated: -	Data type: FloatingPoint32
CU250S_V_CAN (Ext msg)	Can be changed: C(1), T	Scaling: -	Dyn. index: DDS, p0180
CU250S_V_DP (Ext msg)	Units group: 3_1	Unit selection: p0505	Func. diagram: 3050, 8020
CU250S_V_PN (Ext msg)	Min	Max	Factory setting
	0.000 [rpm]	19500.000 [rpm]	0.000 [rpm]
Description:	Sets the lowest possible motor speed. This value is not undershot in operation.		
Dependency:	Refer to: p1106		
Notice:	The effective minimum speed is formed from p1080 and p1106.		
Note:	The parameter value applies for both motor directions. In exceptional cases, the motor can operate below this value (e.g. when reversing).		
p1081	Maximum speed scaling / n_max scal		
	Access level: 2	Calculated: -	Data type: FloatingPoint32
	Can be changed: U, T	Scaling: PERCENT	Dyn. index: -
	Units group: -	Unit selection: -	Func. diagram: 3050, 3095
	Min	Max	Factory setting
	100.00 [%]	105.00 [%]	100.00 [%]
Description:	Sets the scaling for the maximum speed (p1082). For a higher-level speed control, this scaling allows the maximum speed to be briefly exceeded.		
Dependency:	Refer to: p1082		
Notice:	Continuous operation above a scaling of 100 % is not permitted.		
p1082[0...n]	Maximum speed / n_max		
	Access level: 1	Calculated: p0340 = 1	Data type: FloatingPoint32
	Can be changed: C(1), T	Scaling: -	Dyn. index: DDS, p0180
	Units group: 3_1	Unit selection: p0505	Func. diagram: 3020, 3050, 3060, 3070
	Min	Max	Factory setting
	0.000 [rpm]	210000.000 [rpm]	1500.000 [rpm]
Description:	Sets the highest possible speed. Example: Induction motor p0310 = 50 / 60 Hz without output filter and Blocksize power unit p1082 <= 60 x 240 Hz / r0313 (vector control) p1082 <= 60 x 550 Hz / r0313 (U/f control)		
Dependency:	For vector control, the maximum speed is restricted to 60.0 / (8.333 x 500 μs x r0313). This can be identified by a reduction in r1084. p1082 is not changed in this process due to the fact that the operating mode p1300 can be changed over.		

2 Parameters

2.2 List of parameters

If a sine-wave filter (p0230 = 3) is parameterized as output filter, then the maximum speed is limited corresponding to the maximum permissible filter output frequency (refer to the filter data sheet). When using sine-wave filters (p0230 = 3, 4), the maximum speed r1084 is limited to 70% of the resonant frequency of the filter capacitance and the motor leakage inductance.

For reactors and dU/dt filters, it is limited to 120 Hz / r0313.

Refer to: p0230, r0313, p0322

Notice: After the value has been modified, no further parameter modifications can be made and the status is shown in r3996. Modifications can be made again when r3996 = 0.

Note: The parameter applies for both motor directions.

The parameter has a limiting effect and is the reference quantity for all ramp-up and ramp-down times (e.g. down ramps, ramp-function generator, motor potentiometer).

The parameter is part of the quick commissioning (p0010 = 1); this means that it is appropriately pre-assigned when changing p0310, p0311, p0322.

The following limits are always effective for p1082:

$p1082 \leq 60 \times \text{minimum} (15 \times r0310, 550 \text{ Hz}) / r0313$

$p1082 \leq 60 \times \text{maximum power unit pulse frequency} / (k \times r0313)$, with $k = 12$ (vector control), $k = 6.5$ (U/f control)

During automatic calculation (p0340 = 1, p3900 > 0), the parameter value is assigned the maximum motor speed (p0322). For p0322 = 0 the rated motor speed (p0311) is used as default (pre-assignment) value. For induction motors, the synchronous no-load speed is used as the default value (p0310 x 60 / r0313).

For synchronous motors, the following additionally applies:

During automatic calculation (p0340, p3900), p1082 is limited to speeds where the EMF does not exceed the DC link voltage.

p1082 is also available in the quick commissioning (p0010 = 1); this means that when exiting via p3900 > 0, the value is not changed.

p1083[0...n]	CO: Speed limit in positive direction of rotation / n_limit pos		
Access level: 3	Calculated: -	Data type: FloatingPoint32	
Can be changed: U, T	Scaling: p2000	Dyn. index: DDS, p0180	
Units group: 3_1	Unit selection: p0505	Func. diagram: 3050	
Min	Max	Factory setting	
0.000 [rpm]	210000.000 [rpm]	210000.000 [rpm]	
Description:	Sets the maximum speed for the positive direction.		
Notice:	A BICO interconnection to a parameter that belongs to a drive data set always acts on the effective data set.		

r1084	CO: Speed limit positive effective / n_limit pos eff		
Access level: 3	Calculated: -	Data type: FloatingPoint32	
Can be changed: -	Scaling: p2000	Dyn. index: -	
Units group: 3_1	Unit selection: p0505	Func. diagram: 3050, 7958	
Min	Max	Factory setting	
- [rpm]	- [rpm]	- [rpm]	
Description:	Display and connector output for the active positive speed limit.		
Dependency:	Refer to: p1082, p1083, p1085		

p1085[0...n]	CI: Speed limit in positive direction of rotation / n_limit pos		
Access level: 3	Calculated: -	Data type: U32 / FloatingPoint32	
Can be changed: T	Scaling: p2000	Dyn. index: CDS, p0170	
Units group: -	Unit selection: -	Func. diagram: 3050	
Min	Max	Factory setting	
-	-	1083[0]	
Description:	Sets the signal source for the speed limit of the positive direction.		

p1086[0...n]	CO: Speed limit in negative direction of rotation / n_limit neg		
	Access level: 3	Calculated: -	Data type: FloatingPoint32
	Can be changed: U, T	Scaling: p2000	Dyn. index: DDS, p0180
	Units group: 3_1	Unit selection: p0505	Func. diagram: 3050
	Min	Max	Factory setting
	-210000.000 [rpm]	0.000 [rpm]	-210000.000 [rpm]
Description:	Sets the speed limit for the negative direction.		
Notice:	A BICO interconnection to a parameter that belongs to a drive data set always acts on the effective data set.		
r1087	CO: Speed limit negative effective / n_limit neg eff		
	Access level: 3	Calculated: -	Data type: FloatingPoint32
	Can be changed: -	Scaling: p2000	Dyn. index: -
	Units group: 3_1	Unit selection: p0505	Func. diagram: 3050, 7958
	Min	Max	Factory setting
	- [rpm]	- [rpm]	- [rpm]
Description:	Display and connector output for the active negative speed limit.		
Dependency:	Refer to: p1082, p1086, p1088		
p1088[0...n]	CI: Speed limit in negative direction of rotation / n_limit neg		
	Access level: 3	Calculated: -	Data type: U32 / FloatingPoint32
	Can be changed: T	Scaling: p2000	Dyn. index: CDS, p0170
	Units group: -	Unit selection: -	Func. diagram: 3050
	Min	Max	Factory setting
	-	-	1086[0]
Description:	Sets the signal source for the speed/velocity limit of the negative direction.		
p1091[0...n]	Skip speed 1 / n_skip 1		
	Access level: 3	Calculated: -	Data type: FloatingPoint32
	Can be changed: U, T	Scaling: p2000	Dyn. index: DDS, p0180
	Units group: 3_1	Unit selection: p0505	Func. diagram: 3050
	Min	Max	Factory setting
	0.000 [rpm]	210000.000 [rpm]	0.000 [rpm]
Description:	Sets skip speed 1.		
Dependency:	Refer to: p1092, p1093, p1094, p1101		
Notice:	Skip bandwidths can also become ineffective as a result of the downstream limits in the setpoint channel.		
Note:	The skip (suppression) speeds can be used to prevent the effects of mechanical resonance.		
p1092[0...n]	Skip speed 2 / n_skip 2		
	Access level: 3	Calculated: -	Data type: FloatingPoint32
	Can be changed: U, T	Scaling: p2000	Dyn. index: DDS, p0180
	Units group: 3_1	Unit selection: p0505	Func. diagram: 3050
	Min	Max	Factory setting
	0.000 [rpm]	210000.000 [rpm]	0.000 [rpm]
Description:	Sets skip speed 2.		
Dependency:	Refer to: p1091, p1093, p1094, p1101		
Notice:	Skip bandwidths can also become ineffective as a result of the downstream limits in the setpoint channel.		

p1093[0...n]	Skip speed 3 / n_skip 3			
	Access level: 3	Calculated: -	Data type: FloatingPoint32	
	Can be changed: U, T	Scaling: p2000	Dyn. index: DDS, p0180	
	Units group: 3_1	Unit selection: p0505	Func. diagram: 3050	
	Min	Max	Factory setting	
	0.000 [rpm]	210000.000 [rpm]	0.000 [rpm]	
Description:	Sets skip speed 3.			
Dependency:	Refer to: p1091, p1092, p1094, p1101			
Notice:	Skip bandwidths can also become ineffective as a result of the downstream limits in the setpoint channel.			
p1094[0...n]	Skip speed 4 / n_skip 4			
	Access level: 3	Calculated: -	Data type: FloatingPoint32	
	Can be changed: U, T	Scaling: p2000	Dyn. index: DDS, p0180	
	Units group: 3_1	Unit selection: p0505	Func. diagram: 3050	
	Min	Max	Factory setting	
	0.000 [rpm]	210000.000 [rpm]	0.000 [rpm]	
Description:	Sets skip speed 4.			
Dependency:	Refer to: p1091, p1092, p1093, p1101			
Notice:	Skip bandwidths can also become ineffective as a result of the downstream limits in the setpoint channel.			
p1098[0...n]	CI: Skip speed scaling / n_skip scal			
	Access level: 3	Calculated: -	Data type: U32 / FloatingPoint32	
	Can be changed: T	Scaling: PERCENT	Dyn. index: CDS, p0170	
	Units group: -	Unit selection: -	Func. diagram: 3050	
	Min	Max	Factory setting	
	-	-	1	
Description:	Sets the signal source for scaling the skip speeds.			
Dependency:	Refer to: p1091, p1092, p1093, p1094			
r1099.0	CO/BO: Skip band status word / Skip band ZSW			
	Access level: 3	Calculated: -	Data type: Unsigned32	
	Can be changed: -	Scaling: -	Dyn. index: -	
	Units group: -	Unit selection: -	Func. diagram: -	
	Min	Max	Factory setting	
	-	-	-	
Description:	Display and BICO output for the skip bands.			
Bit field:	Bit	Signal name	1 signal	0 signal
	00	r1170 within the skip band	Yes	No
FP	3050			
Dependency:	Refer to: r1170			
Note:	Re bit 00: With the bit set, the setpoint speed is within the skip band after the ramp-function generator (r1170). The signal can be used to switch over the drive data set (DDS).			
p1101[0...n]	Skip speed bandwidth / n_skip bandwidth			
	Access level: 3	Calculated: -	Data type: FloatingPoint32	
	Can be changed: U, T	Scaling: p2000	Dyn. index: DDS, p0180	
	Units group: 3_1	Unit selection: p0505	Func. diagram: 3050	
	Min	Max	Factory setting	
	0.000 [rpm]	210000.000 [rpm]	0.000 [rpm]	
Description:	Sets the bandwidth for the skip speeds/velocities 1 to 4.			
Dependency:	Refer to: p1091, p1092, p1093, p1094			

Note: The setpoint (reference) speeds are skipped (suppressed) in the range of the skip speed +/-p1101. Steady-state operation is not possible in the skipped (suppressed) speed range. The skip (suppression) range is skipped.

Example:
 p1091 = 600 and p1101 = 20
 --> setpoint speeds between 580 and 620 [rpm] are skipped.

For the skip bandwidths, the following hysteresis behavior applies:
 For a setpoint speed coming from below, the following applies:
 r1170 < 580 [rpm] and 580 [rpm] <= r1114 <= 620 [rpm] --> r1119 = 580 [rpm]
 For a setpoint speed coming from above, the following applies:
 r1170 > 620 [rpm] and 580 [rpm] <= r1114 <= 620 [rpm] --> r1119 = 620 [rpm]

p1106[0...n] **CI: Minimum speed signal source / n_min s_src**

Access level: 3	Calculated: -	Data type: U32 / FloatingPoint32
Can be changed: T	Scaling: p2000	Dyn. index: CDS, p0170
Units group: -	Unit selection: -	Func. diagram: 3050
Min	Max	Factory setting
-	-	0

Description: Sets the signal source for lowest possible motor speed.
Dependency: Refer to: p1080
Notice: The effective minimum speed is formed from p1080 and p1106.

p1108[0...n] **BI: Total setpoint selection / Total setp sel**

Access level: 4	Calculated: -	Data type: U32 / Binary
Can be changed: T	Scaling: -	Dyn. index: CDS, p0170
Units group: -	Unit selection: -	Func. diagram: 3030
Min	Max	Factory setting
-	-	0

Description: Sets the signal source to select the total setpoint.
Dependency: The selection of the total speed setpoint is automatically interconnected to the status word of the technology controller (r2349.4) if the technology controller is selected (p2200 > 0) and operated in the mode p2251 = 0. If the energy-saving mode function is activated (p2398 = 1), an interconnection is made to r2399.7. Refer to: p1109

Caution: If the technology controller is to supply the total setpoint using p1109, then it is not permissible to disable the interconnection to its status word (r2349.4). If the energy-saving mode function is activated, then it is not permissible to disable the interconnection to status word r2399.

p1109[0...n] **CI: Total setpoint / Total setp**

Access level: 4	Calculated: -	Data type: U32 / FloatingPoint32
Can be changed: T	Scaling: p2000	Dyn. index: CDS, p0170
Units group: -	Unit selection: -	Func. diagram: 3030
Min	Max	Factory setting
-	-	0

Description: Sets the signal source for the total setpoint.
 For p1108 = 1 signal, the total setpoint is read in via p1109.
Dependency: The signal source of the total setpoint is automatically interconnected to the output of the technology controller (r2294) if the technology controller is selected (p2200 > 0) and operated in the mode p2251 = 0. If the energy-saving mode function is activated (p2398 = 1), an interconnection is made to r2397[0]. Refer to: p1108

Caution: If the technology controller is to supply the total setpoint using p1109, then it is not permissible to disable the interconnection to its output (r2294).
 If the energy-saving mode function is activated, then it is not permissible to withdraw the interconnection to setpoint r2398[0].

2 Parameters

2.2 List of parameters

p1110[0...n]	BI: Inhibit negative direction / Inhib neg dir		
	Access level: 3	Calculated: -	Data type: U32 / Binary
	Can be changed: T	Scaling: -	Dyn. index: CDS, p0170
	Units group: -	Unit selection: -	Func. diagram: 2505, 3040
	Min	Max	Factory setting
	-	-	0
Description:	Sets the signal source to disable the negative direction.		
Dependency:	Refer to: p1111		
p1111[0...n]	BI: Inhibit positive direction / Inhib pos dir		
	Access level: 3	Calculated: -	Data type: U32 / Binary
	Can be changed: T	Scaling: -	Dyn. index: CDS, p0170
	Units group: -	Unit selection: -	Func. diagram: 2505, 3040
	Min	Max	Factory setting
	-	-	0
Description:	Sets the signal source to disable the positive direction.		
Dependency:	Refer to: p1110		
r1112	CO: Speed setpoint after minimum limiting / n_set aft min_lim		
	Access level: 4	Calculated: -	Data type: FloatingPoint32
	Can be changed: -	Scaling: p2000	Dyn. index: -
	Units group: 3_1	Unit selection: p0505	Func. diagram: 3050
	Min	Max	Factory setting
	- [rpm]	- [rpm]	- [rpm]
Description:	Displays the speed setpoint after the minimum limiting.		
Dependency:	Refer to: p1091, p1092, p1093, p1094, p1101		
p1113[0...n]	BI: Setpoint inversion / Setp inv		
CU250S_V_DP	Access level: 3	Calculated: -	Data type: U32 / Binary
CU250S_V_PN	Can be changed: T	Scaling: -	Dyn. index: CDS, p0170
	Units group: -	Unit selection: -	Func. diagram: 2441, 2442, 2505, 3040
	Min	Max	Factory setting
	-	-	[0] 2090.11 [1] 0 [2] 0 [3] 0
Description:	Sets the signal source to invert the setpoint.		
Dependency:	Refer to: r1198		
Notice:	The parameter may be protected as a result of p0922 or p2079 and cannot be changed.		
p1113[0...n]	BI: Setpoint inversion / Setp inv		
CU250S_V	Access level: 3	Calculated: -	Data type: U32 / Binary
CU250S_V_CAN	Can be changed: T	Scaling: -	Dyn. index: CDS, p0170
	Units group: -	Unit selection: -	Func. diagram: 2441, 2442, 2505, 3040
	Min	Max	Factory setting
	-	-	[0] 722.1 [1] 0 [2] 0 [3] 0
Description:	Sets the signal source to invert the setpoint.		

Dependency: Refer to: r1198
Notice: The parameter may be protected as a result of p0922 or p2079 and cannot be changed.

p1113[0...n] BI: Setpoint inversion / Setp inv

CU250S_V (EPOS)	Access level: 3	Calculated: -	Data type: U32 / Binary
CU250S_V_CAN (EPOS)	Can be changed: T	Scaling: -	Dyn. index: CDS, p0170
CU250S_V_DP (EPOS)	Units group: -	Unit selection: -	Func. diagram: 2441, 2442, 2505, 3040
CU250S_V_PN (EPOS)	Min	Max	Factory setting
	-	-	0

Description: Sets the signal source to invert the setpoint.
Dependency: Refer to: r1198
Notice: The parameter may be protected as a result of p0922 or p2079 and cannot be changed.

r1114 CO: Setpoint after the direction limiting / Setp after limit

	Access level: 3	Calculated: -	Data type: FloatingPoint32
	Can be changed: -	Scaling: p2000	Dyn. index: -
	Units group: 3_1	Unit selection: p0505	Func. diagram: 3001, 3040, 3050
	Min	Max	Factory setting
	- [rpm]	- [rpm]	- [rpm]

Description: Displays the speed/velocity setpoint after the changeover and limiting the direction.

p1115 Ramp-function generator selection / RFG selection

	Access level: 3	Calculated: -	Data type: Integer16
	Can be changed: T	Scaling: -	Dyn. index: -
	Units group: -	Unit selection: -	Func. diagram: 3001, 3080
	Min	Max	Factory setting
	0	1	1

Description: Sets the ramp-function generator type.
Value: 0: Basic ramp-function generator
 1: Extended ramp-function generator
Note: Another ramp-function generator type can only be selected when the motor is at a standstill.

r1119 CO: Ramp-function generator setpoint at the input / RFG setp at inp

	Access level: 3	Calculated: -	Data type: FloatingPoint32
	Can be changed: -	Scaling: p2000	Dyn. index: -
	Units group: 3_1	Unit selection: p0505	Func. diagram: 3001, 3050, 3060, 3070, 6300
	Min	Max	Factory setting
	- [rpm]	- [rpm]	- [rpm]

Description: Displays the setpoint at the input of the ramp-function generator.
Notice: The parameter may be protected as a result of p0922 or p2079 and cannot be changed.
Note: The setpoint is influenced by other functions, e.g. skip (suppressed) speeds, minimum and maximum limits.

p1120[0...n] Ramp-function generator ramp-up time / RFG ramp-up time

	Access level: 1	Calculated: -	Data type: FloatingPoint32
	Can be changed: C(1), U, T	Scaling: -	Dyn. index: DDS, p0180
	Units group: -	Unit selection: -	Func. diagram: 3060, 3070
	Min	Max	Factory setting
	0.000 [s]	999999.000 [s]	10.000 [s]

Description: The ramp-function generator ramps-up the speed setpoint from standstill (setpoint = 0) up to the maximum speed (p1082) in this time.
Dependency: Refer to: p1082, p1123

2 Parameters

2.2 List of parameters

Note: The ramp-up time can be scaled via connector input p1138.
The parameter is adapted during the rotating measurement (p1960 > 0). This is the reason that during the rotating measurement, the motor can accelerate faster than was originally parameterized.
For U/f control and sensorless vector control (see p1300), a ramp-up time of 0 s is not expedient. The setting should be based on the startup times (r0345) of the motor.

p1121[0...n]	Ramp-function generator ramp-down time / RFG ramp-down time		
Access level: 1	Calculated: -	Data type: FloatingPoint32	
Can be changed: C(1), U, T	Scaling: -	Dyn. index: DDS, p0180	
Units group: -	Unit selection: -	Func. diagram: 3060, 3070	
Min	Max	Factory setting	
0.000 [s]	999999.000 [s]	10.000 [s]	

Description: Sets the ramp-down time for the ramp-function generator.
The ramp-function generator ramps-down the speed setpoint from the maximum speed (p1082) down to standstill (setpoint = 0) in this time.
Further, the ramp-down time is always effective for OFF1.


Dependency: Refer to: p1082, p1123

Note: For U/f control and sensorless vector control (see p1300), a ramp-down time of 0 s is not expedient. The setting should be based on the startup times (r0345) of the motor.

p1122[0...n]	BI: Bypass ramp-function generator / Bypass RFG		
Access level: 4	Calculated: -	Data type: U32 / Binary	
Can be changed: U, T	Scaling: -	Dyn. index: CDS, p0170	
Units group: -	Unit selection: -	Func. diagram: 2505	
Min	Max	Factory setting	
-	-	0	

Description: Sets the signal source for bypassing the ramp generator (ramp-up and ramp-down times = 0).

Caution: If the technology controller is operated in mode p2251 = 0 (technology controller as main speed setpoint), then it is not permissible to disable the interconnection to its status word (r2349).



Notice: The parameter may be protected as a result of p0922 or p2079 and cannot be changed.

Note: In the case of sensorless vector control, the ramp-function generator must not be bypassed, other than indirectly by means of interconnection with r2349.

p1123[0...n]	Ramp-function generator minimum ramp-up time / RFG t_RU min		
Access level: 4	Calculated: p0340 = 1	Data type: FloatingPoint32	
Can be changed: U, T	Scaling: -	Dyn. index: DDS, p0180	
Units group: -	Unit selection: -	Func. diagram: -	
Min	Max	Factory setting	
0.000 [s]	999999.000 [s]	0.000 [s]	

Description: Sets the minimum ramp-up time.
The ramp-up time (p1120) is limited internally to this minimum value.

Dependency: Refer to: p1082

Note: The setting should be based on the startup times (r0345) of the motor.
If the maximum speed p1082 changes, p1123 is re-calculated.

p1127[0...n]	Ramp-function generator minimum ramp-down time / RFG t_RD min		
PM240	Access level: 4	Calculated: p0340 = 1	Data type: FloatingPoint32
	Can be changed: U, T	Scaling: -	Dyn. index: DDS, p0180
	Units group: -	Unit selection: -	Func. diagram: -
	Min	Max	Factory setting
	0.000 [s]	999999.000 [s]	0.000 [s]

Description: Sets the minimum ramp-down time.
The ramp-down time (p1121) is limited internally to this minimum value.

Dependency: Refer to: p1082

Note: For U/f control and sensorless vector control (see p1300), a ramp-down time of 0 s is not expedient. The setting should be based on the startup times (r0345) of the motor.
If the maximum speed p1082 changes, p1127 is re-calculated.
If a braking resistor is connected to the DC link (p0219 > 0), then the minimum ramp-down time is automatically adapted using p1127.

p1127[0...n]	Ramp-function generator minimum ramp-down time / RFG t _{RD} min		
PM250	Access level: 4	Calculated: p0340 = 1	Data type: FloatingPoint32
PM260	Can be changed: U, T	Scaling: -	Dyn. index: DDS, p0180
	Units group: -	Unit selection: -	Func. diagram: -
	Min	Max	Factory setting
	0.000 [s]	999999.000 [s]	0.000 [s]
Description:	Sets the minimum ramp-down time. The ramp-down time (p1121) is limited internally to this minimum value.		
Dependency:	Refer to: p1082		
Note:	For U/f control and sensorless vector control (see p1300), a ramp-down time of 0 s is not expedient. The setting should be based on the startup times (r0345) of the motor. If the maximum speed p1082 changes, p1127 is re-calculated.		

p1130[0...n]	Ramp-function generator initial rounding-off time / RFG t _{start_round}		
	Access level: 2	Calculated: -	Data type: FloatingPoint32
	Can be changed: U, T	Scaling: -	Dyn. index: DDS, p0180
	Units group: -	Unit selection: -	Func. diagram: 3070
	Min	Max	Factory setting
	0.000 [s]	30.000 [s]	0.000 [s]
Description:	Sets the initial rounding-off time for the extended ramp generator. The value applies to ramp-up and ramp-down.		
Note:	Rounding-off times avoid an abrupt response and prevent damage to the mechanical system.		

p1131[0...n]	Ramp-function generator final rounding-off time / RFG t _{end_delay}		
	Access level: 2	Calculated: -	Data type: FloatingPoint32
	Can be changed: U, T	Scaling: -	Dyn. index: DDS, p0180
	Units group: -	Unit selection: -	Func. diagram: 3070
	Min	Max	Factory setting
	0.000 [s]	30.000 [s]	0.000 [s]
Description:	Sets the final rounding-off time for the extended ramp generator. The value applies to ramp-up and ramp-down.		
Note:	Rounding-off times avoid an abrupt response and prevent damage to the mechanical system.		

p1134[0...n]	Ramp-function generator rounding-off type / RFG round-off type		
	Access level: 2	Calculated: -	Data type: Integer16
	Can be changed: U, T	Scaling: -	Dyn. index: DDS, p0180
	Units group: -	Unit selection: -	Func. diagram: 3070
	Min	Max	Factory setting
	0	1	0
Description:	Sets the smoothed response to the OFF1 command or the reduced setpoint for the extended ramp-function generator.		
Value:	0: Cont smoothing 1: Discont smoothing		
Dependency:	No effect up to initial rounding-off time (p1130) > 0 s.		
Note:	p1134 = 0 (continuous smoothing) If the setpoint is reduced while ramping-up, initially a final rounding-off is carried out and then the ramp-up completed. During the final rounding-off, the output of the ramp-function generator continues to go in the direction of the previous setpoint (overshoot). After the final rounding-off has been completed, the output goes toward the new setpoint.		

2 Parameters

2.2 List of parameters

p1134 = 1 (discontinuous smoothing)

If the setpoint is reduced while ramping-up, then the output goes immediately in the direction of the new setpoint. For the setpoint change there is no rounding-off.

p1135[0...n]	OFF3 ramp-down time / OFF3 t_RD		
	Access level: 2	Calculated: -	Data type: FloatingPoint32
	Can be changed: C(1), U, T	Scaling: -	Dyn. index: DDS, p0180
	Units group: -	Unit selection: -	Func. diagram: 3060, 3070
	Min	Max	Factory setting
	0.000 [s]	5400.000 [s]	0.000 [s]
Description:	Sets the ramp-down time from the maximum speed down to zero speed for the OFF3 command.		
Note:	This time can be exceeded if the DC link voltage reaches its maximum value.		
p1136[0...n]	OFF3 initial rounding-off time / RFGOFF3 t_strt_rnd		
	Access level: 3	Calculated: -	Data type: FloatingPoint32
	Can be changed: U, T	Scaling: -	Dyn. index: DDS, p0180
	Units group: -	Unit selection: -	Func. diagram: 3070
	Min	Max	Factory setting
	0.000 [s]	30.000 [s]	0.000 [s]
Description:	Sets the initial rounding-off time for OFF3 for the extended ramp generator.		
p1137[0...n]	OFF3 final rounding-off time / RFG OFF3 t_end_del		
	Access level: 3	Calculated: -	Data type: FloatingPoint32
	Can be changed: U, T	Scaling: -	Dyn. index: DDS, p0180
	Units group: -	Unit selection: -	Func. diagram: 3070
	Min	Max	Factory setting
	0.000 [s]	30.000 [s]	0.000 [s]
Description:	Sets the final rounding-off time for OFF3 for the extended ramp generator.		
p1138[0...n]	CI: Ramp-function generator ramp-up time scaling / RFG t_RU scal		
	Access level: 3	Calculated: -	Data type: U32 / FloatingPoint32
	Can be changed: T	Scaling: PERCENT	Dyn. index: CDS, p0170
	Units group: -	Unit selection: -	Func. diagram: 3060, 3070
	Min	Max	Factory setting
	-	-	1
Description:	Sets the signal source for scaling the ramp-up time of the ramp-function generator.		
Dependency:	Refer to: p1120		
Note:	The ramp-up time is set in p1120.		
p1139[0...n]	CI: Ramp-function generator ramp-down time scaling / RFG t_RD scal		
	Access level: 3	Calculated: -	Data type: U32 / FloatingPoint32
	Can be changed: T	Scaling: PERCENT	Dyn. index: CDS, p0170
	Units group: -	Unit selection: -	Func. diagram: 3060, 3070
	Min	Max	Factory setting
	-	-	1
Description:	Sets the signal source for scaling the ramp-down time of the ramp-function generator.		
Dependency:	Refer to: p1121		
Note:	The ramp-down time is set in p1121.		

p1140[0...n] BI: Enable ramp-function generator/inhibit ramp-function generator / RFG enable

CU250S_V_DP	Access level: 3	Calculated: -	Data type: U32 / Binary
CU250S_V_PN	Can be changed: T	Scaling: -	Dyn. index: CDS, p0170
	Units group: -	Unit selection: -	Func. diagram: 2501
	Min	Max	Factory setting
	-	-	[0] 2090.4
			[1] 1
			[2] 2090.4
			[3] 2090.4

Description: Sets the signal source for the command "enable ramp-function generator/inhibit ramp-function generator". For the PROFIdrive profile, this command corresponds to control word 1 bit 4 (STW1.4).
 BI: p1140 = 0 signal:
 Inhibits the ramp-function generator (the ramp-function generator output is set to zero).
 BI: p1140 = 1 signal:
 Ramp-function generator enable.

Dependency: Refer to: r0054, p1141, p1142

Caution: When "master control from PC" is activated, this binector input is ineffective.



Notice: The parameter may be protected as a result of p0922 or p2079 and cannot be changed.

p1140[0...n] BI: Enable ramp-function generator/inhibit ramp-function generator / RFG enable

CU250S_V_DP (Pos ctrl)	Access level: 3	Calculated: -	Data type: U32 / Binary
CU250S_V_PN (Pos ctrl)	Can be changed: T	Scaling: -	Dyn. index: CDS, p0170
	Units group: -	Unit selection: -	Func. diagram: 2501
	Min	Max	Factory setting
	-	-	1

Description: Sets the signal source for the command "enable ramp-function generator/inhibit ramp-function generator". For the PROFIdrive profile, this command corresponds to control word 1 bit 4 (STW1.4).
 BI: p1140 = 0 signal:
 Inhibits the ramp-function generator (the ramp-function generator output is set to zero).
 BI: p1140 = 1 signal:
 Ramp-function generator enable.

Dependency: Refer to: r0054, p1141, p1142

Caution: When "master control from PC" is activated, this binector input is ineffective.



Notice: The parameter may be protected as a result of p0922 or p2079 and cannot be changed.

p1140[0...n] BI: Enable ramp-function generator/inhibit ramp-function generator / RFG enable

CU250S_V	Access level: 3	Calculated: -	Data type: U32 / Binary
CU250S_V_CAN	Can be changed: T	Scaling: -	Dyn. index: CDS, p0170
	Units group: -	Unit selection: -	Func. diagram: 2501
	Min	Max	Factory setting
	-	-	1

Description: Sets the signal source for the command "enable ramp-function generator/inhibit ramp-function generator". For the PROFIdrive profile, this command corresponds to control word 1 bit 4 (STW1.4).
 BI: p1140 = 0 signal:
 Inhibits the ramp-function generator (the ramp-function generator output is set to zero).
 BI: p1140 = 1 signal:
 Ramp-function generator enable.

Dependency: Refer to: r0054, p1141, p1142

2 Parameters

2.2 List of parameters

Caution: When "master control from PC" is activated, this binector input is ineffective.



Notice: The parameter may be protected as a result of p0922 or p2079 and cannot be changed.

p1141[0...n] BI: Continue ramp-function generator/freeze ramp-function generator / Continue RFG

CU250S_V_DP	Access level: 3	Calculated: -	Data type: U32 / Binary
CU250S_V_PN	Can be changed: T	Scaling: -	Dyn. index: CDS, p0170
	Units group: -	Unit selection: -	Func. diagram: 2501
	Min	Max	Factory setting
	-	-	[0] 2090.5
			[1] 1
			[2] 2090.5
			[3] 2090.5

Description: Sets the signal source for the command "continue ramp-function generator/freeze ramp-function generator".
For the PROFIdrive profile, this command corresponds to control word 1 bit 5 (STW1.5).

BI: p1141 = 0 signal:

Freezes the ramp-function generator.

BI: p1141 = 1 signal:

Continue ramp-function generator.

Dependency: Refer to: r0054, p1140, p1142

Caution: When "master control from PC" is activated, this binector input is ineffective.



Notice: The ramp-function generator is, independent of the state of the signal source, active in the following cases:

- OFF1/OFF3.
- ramp-function generator output within the suppression bandwidth.
- ramp-function generator output below the minimum speed.

p1141[0...n] BI: Continue ramp-function generator/freeze ramp-function generator / Continue RFG

CU250S_V_DP (EPOS)	Access level: 3	Calculated: -	Data type: U32 / Binary
CU250S_V_PN (EPOS)	Can be changed: T	Scaling: -	Dyn. index: CDS, p0170
	Units group: -	Unit selection: -	Func. diagram: 2501
	Min	Max	Factory setting
	-	-	1

Description: Sets the signal source for the command "continue ramp-function generator/freeze ramp-function generator".
For the PROFIdrive profile, this command corresponds to control word 1 bit 5 (STW1.5).

BI: p1141 = 0 signal:

Freezes the ramp-function generator.

BI: p1141 = 1 signal:

Continue ramp-function generator.



Dependency: Refer to: r0054, p1140, p1142

Caution: When "master control from PC" is activated, this binector input is ineffective.



Notice: The ramp-function generator is, independent of the state of the signal source, active in the following cases:

- OFF1/OFF3.
- ramp-function generator output within the suppression bandwidth.
- ramp-function generator output below the minimum speed.

p1141[0...n]	BI: Continue ramp-function generator/freeze ramp-function generator / Continue RFG		
CU250S_V	Access level: 3	Calculated: -	Data type: U32 / Binary
CU250S_V_CAN	Can be changed: T	Scaling: -	Dyn. index: CDS, p0170
	Units group: -	Unit selection: -	Func. diagram: 2501
	Min	Max	Factory setting
	-	-	1
Description:	Sets the signal source for the command "continue ramp-function generator/freeze ramp-function generator". For the PROFIdrive profile, this command corresponds to control word 1 bit 5 (STW1.5). BI: p1141 = 0 signal: Freezes the ramp-function generator. BI: p1141 = 1 signal: Continue ramp-function generator.		
Dependency:	Refer to: r0054, p1140, p1142		
Caution:	When "master control from PC" is activated, this binector input is ineffective.		
			
Notice:	The ramp-function generator is, independent of the state of the signal source, active in the following cases: - OFF1/OFF3. - ramp-function generator output within the suppression bandwidth. - ramp-function generator output below the minimum speed.		
p1142[0...n]	BI: Enable setpoint/inhibit setpoint / Setpoint enable		
CU250S_V_DP	Access level: 3	Calculated: -	Data type: U32 / Binary
CU250S_V_PN	Can be changed: T	Scaling: -	Dyn. index: CDS, p0170
	Units group: -	Unit selection: -	Func. diagram: 2501
	Min	Max	Factory setting
	-	-	[0] 2090.6
			[1] 1
			[2] 2090.6
			[3] 2090.6
Description:	Sets the signal source for the command "enable setpoint/inhibit setpoint". For the PROFIdrive profile, this command corresponds to control word 1 bit 6 (STW1.6). BI: p1142 = 0 signal Inhibits the setpoint (the ramp-function generator input is set to zero). BI: p1142 = 1 signal Setpoint enable.		
Dependency:	Refer to: p1140, p1141		
Caution:	When "master control from PC" is activated, this binector input is ineffective.		
			
Notice:	The parameter may be protected as a result of p0922 or p2079 and cannot be changed.		
Note:	When the function module "position control" (r0108.3 = 1) is activated, this binector input is interconnected as follows as standard: BI: p1142 = 0 signal		
p1142[0...n]	BI: Enable setpoint/inhibit setpoint / Setpoint enable		
CU250S_V	Access level: 3	Calculated: -	Data type: U32 / Binary
CU250S_V_CAN	Can be changed: T	Scaling: -	Dyn. index: CDS, p0170
	Units group: -	Unit selection: -	Func. diagram: 2501
	Min	Max	Factory setting
	-	-	1
Description:	Sets the signal source for the command "enable setpoint/inhibit setpoint". For the PROFIdrive profile, this command corresponds to control word 1 bit 6 (STW1.6).		

2 Parameters

2.2 List of parameters

BI: p1142 = 0 signal
 Inhibits the setpoint (the ramp-function generator input is set to zero).
 BI: p1142 = 1 signal
 Setpoint enable.

Dependency: Refer to: p1140, p1141

Caution: When "master control from PC" is activated, this binector input is ineffective.



Notice: The parameter may be protected as a result of p0922 or p2079 and cannot be changed.

Note: When the function module "position control" (r0108.3 = 1) is activated, this binector input is interconnected as follows as standard:

BI: p1142 = 0 signal

p1142[0...n] BI: Enable setpoint/inhibit setpoint / Setpoint enable

CU250S_V (Pos ctrl)	Access level: 3	Calculated: -	Data type: U32 / Binary
CU250S_V_CAN (Pos ctrl)	Can be changed: T	Scaling: -	Dyn. index: CDS, p0170
CU250S_V_DP (Pos ctrl)	Units group: -	Unit selection: -	Func. diagram: 2501
CU250S_V_PN (Pos ctrl)	Min	Max	Factory setting
	-	-	0

Description: Sets the signal source for the command "enable setpoint/inhibit setpoint".
 For the PROFIdrive profile, this command corresponds to control word 1 bit 6 (STW1.6).

BI: p1142 = 0 signal
 Inhibits the setpoint (the ramp-function generator input is set to zero).
 BI: p1142 = 1 signal
 Setpoint enable.

Dependency: Refer to: p1140, p1141

Caution: When "master control from PC" is activated, this binector input is ineffective.



Notice: The parameter may be protected as a result of p0922 or p2079 and cannot be changed.

Note: When the function module "position control" (r0108.3 = 1) is activated, this binector input is interconnected as follows as standard:

BI: p1142 = 0 signal

p1143[0...n] BI: Ramp-function generator, accept setting value / RFG accept set v

	Access level: 3	Calculated: -	Data type: U32 / Binary
	Can be changed: T	Scaling: -	Dyn. index: CDS, p0170
	Units group: -	Unit selection: -	Func. diagram: 3060, 3070
	Min	Max	Factory setting
	-	-	0

Description: Sets the signal source for accepting the setting value of the ramp-function generator.

Dependency: The signal source for the ramp-function generator setting value is set using parameters.

Refer to: p1144

Note: 0/1 signal:

The ramp-function generator output is immediately (without delay) set to the setting value of the ramp-function generator.

1 signal:

The setting value of the ramp-function generator is effective.


1/0 signal:

The input value of the ramp-function generator is effective. The ramp-function generator output is adapted to the input value using the ramp-up time or the ramp-down time.

0 signal:

The input value of the ramp-function generator is effective.

p1144[0...n]	CI: Ramp-function generator setting value / RFG setting value		
	Access level: 3	Calculated: -	Data type: U32 / FloatingPoint32
	Can be changed: U, T	Scaling: p2000	Dyn. index: CDS, p0170
	Units group: -	Unit selection: -	Func. diagram: 3060, 3070
	Min	Max	Factory setting
	-	-	0
Description:	Sets the signal source for the ramp-function generator setting value.		
Dependency:	The signal source for accepting the setting value is set using parameters. Refer to: p1143		
p1145[0...n]	Ramp-function generator tracking intensity. / RFG track intens		
	Access level: 4	Calculated: -	Data type: FloatingPoint32
	Can be changed: U, T	Scaling: -	Dyn. index: DDS, p0180
	Units group: -	Unit selection: -	Func. diagram: 3080
	Min	Max	Factory setting
	0.0	50.0	0.0
Description:	Sets the ramp-function generator tracking. The output value of the ramp-function generator is tracked (corrected) corresponding to the maximum possible drive acceleration. The reference value is the deviation at the speed/velocity controller input that is necessary to ensure that the motor accelerates at the torque/force limit.		
Recommend.:	If at least one speed setpoint filter/velocity setpoint filter is activated (p1414), then the ramp-function generator tracking should be deactivated (p1145 = 0.0). When the speed setpoint filter is activated, the output value of the ramp-function generator can no longer be tracked (corrected) corresponding to the maximum possible drive acceleration. Re p1145 = 0.0: This value de-activates the ramp-function generator tracking. Re p1145 = 0.0 ... 1.0: Generally, these values are not practical. They cause the motor to accelerate below its torque limit. The lower the selected value, the greater the margin between the controller and torque limit when accelerating. Re p1145 > 1.0: The greater the value, the higher the permissible deviation between the speed setpoint and speed actual value.		
Notice:	If ramp-function generator tracking is activated and the ramp time is set too short, this can cause unsteady acceleration. Remedy: - switch off ramp-function generator tracking (p1145 = 0). - increase the ramp-up/ramp-down time (p1120, p1121).		
Note:	In the U/f mode, ramp-function generator tracking is not active.		
p1148[0...n]	Ramp-function gen. tolerance for ramp-up and ramp-down active / RFG tol HL/RL act		
	Access level: 3	Calculated: -	Data type: FloatingPoint32
	Can be changed: U, T	Scaling: -	Dyn. index: DDS, p0180
	Units group: 3_1	Unit selection: p0505	Func. diagram: 3060, 3070
	Min	Max	Factory setting
	0.000 [rpm]	1000.000 [rpm]	19.800 [rpm]
Description:	Sets the tolerance value for the status of the ramp-function generator (ramp-up active, ramp-down active). If the input of the ramp-function generator does not change in comparison to the output by more than the entered tolerance time, then the status bits "ramp-up active" and "ramp-down active" are not influenced.		
Dependency:	Refer to: r1199		

r1149	CO: Ramp-function generator acceleration / RFG acceleration	Access level: 3 Can be changed: - Units group: 39_1 Min - [rev/s ²]	Calculated: - Scaling: p2007 Unit selection: p0505 Max - [rev/s ²]	Data type: FloatingPoint32 Dyn. index: - Func. diagram: 3060, 3070 Factory setting - [rev/s ²]
Description:	Displays the acceleration of the ramp-function generator.			
Dependency:	Refer to: p1145			
r1150	CO: Ramp-function generator speed setpoint at the output / RFG n_set at outp	Access level: 4 Can be changed: - Units group: 3_1 Min - [rpm]	Calculated: - Scaling: p2000 Unit selection: p0505 Max - [rpm]	Data type: FloatingPoint32 Dyn. index: - Func. diagram: 3001, 3080 Factory setting - [rpm]
Description:	Displays the setpoint at the output of the ramp-function generator.			
p1155[0...n]	CI: Speed controller speed setpoint 1 / n_ctrl n_set 1	Access level: 4 Can be changed: T Units group: - Min -	Calculated: - Scaling: p2000 Unit selection: - Max -	Data type: U32 / FloatingPoint32 Dyn. index: CDS, p0170 Func. diagram: 3001, 3080, 5030, 6031 Factory setting 0
Description:	Sets the signal source for speed setpoint 1 of the speed controller.			
Dependency:	The effectiveness of this setpoint depends on, e.g. STW1.4 and STW1.6. The signal source of the total setpoint is automatically interconnected to the output of the technology controller (r2294) if the technology controller is selected (p2200 > 0) and operated in the mode p2251 = 1. Refer to: r0002, p0840, p0844, p0848, p0852, p0854, r0898, p1140, p1142, p1160, r1170			
Caution:	If the technology controller is activated, then it is not permissible to withdraw the parameter interconnection.			
				
Notice:	The parameter may be protected as a result of p0922 or p2079 and cannot be changed.			
p1160[0...n]	CI: Speed controller speed setpoint 2 / n_ctrl n_set 2	Access level: 3 Can be changed: T Units group: - Min -	Calculated: - Scaling: p2000 Unit selection: - Max -	Data type: U32 / FloatingPoint32 Dyn. index: CDS, p0170 Func. diagram: 3001, 3080 Factory setting 0
Description:	Sets the signal source for speed setpoint 2 of the speed controller.			
Dependency:	Refer to: p1155, r1170			
Note:	For OFF1/OFF3, the ramp-function generator ramp is effective. The ramp-function generator is set (to the setpoint (r1170)) and stops the drive corresponding to the ramp-down time (p1121 or p1135). While stopping via the ramp-function generator, STW1.4 is effective (enable ramp-function generator).			

p1160[0...n]	CI: Speed controller speed setpoint 2 / n_ctrl n_set 2		
CU250S_V (Pos ctrl)	Access level: 3	Calculated: -	Data type: U32 / FloatingPoint32
CU250S_V_CAN (Pos ctrl)	Can be changed: T	Scaling: p2000	Dyn. index: CDS, p0170
CU250S_V_DP (Pos ctrl)	Units group: -	Unit selection: -	Func. diagram: 3001, 3080
CU250S_V_PN (Pos ctrl)	Min	Max	Factory setting
	-	-	2562[0]
Description:	Sets the signal source for speed setpoint 2 of the speed controller.		
Dependency:	Refer to: p1155, r1170		
Note:	For OFF1/OFF3, the ramp-function generator ramp is effective. The ramp-function generator is set (to the setpoint (r1170)) and stops the drive corresponding to the ramp-down time (p1121 or p1135). While stopping via the ramp-function generator, STW1.4 is effective (enable ramp-function generator). When the function module "position control" (r0108.3 = 1) is activated, this connector input is interconnected as follows as standard: CI: p1160 = r2562		
r1169	CO: Speed controller speed setpoints 1 and 2 / n_ctrl n_set 1/2		
	Access level: 4	Calculated: -	Data type: FloatingPoint32
	Can be changed: -	Scaling: p2000	Dyn. index: -
	Units group: 3_1	Unit selection: p0505	Func. diagram: 3080
	Min	Max	Factory setting
	- [rpm]	- [rpm]	- [rpm]
Description:	Displays the speed setpoint after the addition of the speed setpoint 1 (p1155) and speed setpoint 2 (p1160).		
Dependency:	Refer to: p1155, p1160		
Note:	The value is only correctly displayed at r0899.2 = 1 (operation enabled).		
r1170	CO: Speed controller setpoint sum / n_ctrl setp sum		
	Access level: 3	Calculated: -	Data type: FloatingPoint32
	Can be changed: -	Scaling: p2000	Dyn. index: -
	Units group: 3_1	Unit selection: p0505	Func. diagram: 3001, 3080, 6300
	Min	Max	Factory setting
	- [rpm]	- [rpm]	- [rpm]
Description:	Display and connector output for the speed setpoint after selecting the ramp-function generator. The value is the sum of speed setpoint 1 (p1155) and speed setpoint 2 (p1160).		
Dependency:	Refer to: r1150, p1155, p1160		
r1197	Fixed speed setpoint number actual / n_set_fixed No act		
	Access level: 4	Calculated: -	Data type: Unsigned32
	Can be changed: -	Scaling: -	Dyn. index: -
	Units group: -	Unit selection: -	Func. diagram: 3010
	Min	Max	Factory setting
	-	-	-
Description:	Displays the number of the selected fixed speed/velocity setpoint.		
Dependency:	Refer to: p1020, p1021, p1022, p1023		
Note:	If a fixed speed setpoint has not been selected (p1020 ... p1023 = 0, r1197 = 0), then r1024 = 0 (setpoint = 0).		

r1198.0...15	CO/BO: Control word setpoint channel / STW setpoint chan				
	Access level: 3	Calculated: -	Data type: Unsigned16		
	Can be changed: -	Scaling: -	Dyn. index: -		
	Units group: -	Unit selection: -	Func. diagram: 2505		
	Min	Max	Factory setting		
	-	-	-		
Description:	Display and BICO output for the control word of the setpoint channel.				
Bit field:	Bit	Signal name	1 signal	0 signal	FP
	00	Fixed setp bit 0	Yes	No	3010
	01	Fixed setp bit 1	Yes	No	3010
	02	Fixed setp bit 2	Yes	No	3010
	03	Fixed setp bit 3	Yes	No	3010
	05	Inhibit negative direction	Yes	No	3040
	06	Inhibit positive direction	Yes	No	3040
	11	Setpoint inversion	Yes	No	3040
	13	Motorized potentiometer raise	Yes	No	3020
	14	Motorized potentiometer lower	Yes	No	3020
	15	Bypass ramp-function generator	Yes	No	3060, 3070

r1199.0...8	CO/BO: Ramp-function generator status word / RFG ZSW				
	Access level: 4	Calculated: -	Data type: Unsigned16		
	Can be changed: -	Scaling: -	Dyn. index: -		
	Units group: -	Unit selection: -	Func. diagram: 3001, 3080		
	Min	Max	Factory setting		
	-	-	-		
Description:	Displays the status word for the ramp-function generator (RFG).				
Bit field:	Bit	Signal name	1 signal	0 signal	FP
	00	Ramp-up active	Yes	No	-
	01	Ramp-down active	Yes	No	-
	02	RFG active	Yes	No	-
	03	Ramp-function generator set	Yes	No	-
	04	Ramp-function generator held	Yes	No	-
	05	Ramp-function generator tracking active	Yes	No	-
	06	Maximum limit active	Yes	No	-
	07	Ramp-function generator acceleration positive	Yes	No	-
	08	Ramp-function generator acceleration negative	Yes	No	-
Note:	Re bit 02: The bit is the result of the OR logic operation - bit 00 and bit 01.				


p1200[0...n]	Flying restart operating mode / FlyRest op_mode			
	Access level: 2	Calculated: -	Data type: Integer16	
	Can be changed: U, T	Scaling: -	Dyn. index: DDS, p0180	
	Units group: -	Unit selection: -	Func. diagram: 6300	
	Min	Max	Factory setting	
	0	4	0	
Description:	Sets the operating mode for flying restart. The flying restart allows the drive converter to be powered up while the motor is still rotating. In so doing, the drive converter output frequency is changed until the actual motor speed/velocity is found. The motor then accelerates up to the setpoint at the ramp-function generator setting.			
Value:	0: Flying restart inactive 1: Flying restart always active (start in setpoint direction) 4: Flying restart always active (start only in setpoint direction)			


- Dependency:** A differentiation is made between flying restart for U/f control and for vector control (p1300).
Flying restart, U/f control: p1202, p1203, r1204
Flying restart, vector control: p1202, p1203, r1205
For synchronous motors, flying restart cannot be activated.
Refer to: p1201
- Notice:** The "flying restart" function must be used in cases where the motor may still be running (e.g. after a brief line supply interruption) or is being driven by the load. The system might otherwise shut down as a result of overcurrent.
- Note:** For p1200 = 1, 4, the following applies:
Flying restart is active after faults, OFF1, OFF2, OFF3.
For p1200 = 1, the following applies:
The search is made in both directions.
For p1200 = 4, the following applies:
The search is only made in the setpoint direction.
For U/f control (p1300 < 20), the following applies:
The speed can only be sensed for values above approx. 5 % of the rated motor speed. For lower speeds, it is assumed that the motor is at a standstill.
If p1200 is changed during commissioning (p0010 > 0), then it is possible that the old value will no longer be able to be set. The reason for this is that the dynamic limits of p1200 have been changed by a parameter that was set when the drive was commissioned (e.g. p0300).

p1201[0...n]	BI: Flying restart enable signal source / Fly_res enab S_src		
Access level: 3	Calculated: -	Data type: U32 / Binary	
Can be changed: T	Scaling: -	Dyn. index: CDS, p0170	
Units group: -	Unit selection: -	Func. diagram: -	
Min	Max	Factory setting	
-	-	1	

- Description:** Sets the signal source to enable the "flying restart" function.
- Dependency:** Refer to: p1200
- Note:** Withdrawing the enable signal has the same effect as setting p1200 = 0.

p1202[0...n]	Flying restart search current / FlyRest I_srch		
Access level: 3	Calculated: -	Data type: FloatingPoint32	
Can be changed: U, T	Scaling: -	Dyn. index: DDS, p0180	
Units group: -	Unit selection: -	Func. diagram: -	
Min	Max	Factory setting	
10 [%]	400 [%]	100 [%]	

- Description:** Sets the search current for the "flying restart" function.
The value is referred to the motor magnetizing current.
- Dependency:** Refer to: r0331
- Caution:** An unfavorable parameter value can result in the motor behaving in an uncontrollable fashion.
-  **Note:** In U/f control mode, the parameter serves as a threshold value for establishing the current at the beginning of the flying restart function. When the threshold value is reached, the prevailing search current is set dependent upon the frequency on the basis of voltage inputs.
Reducing the search current can also improve flying restart performance (if the system moment of inertia is not very high, for example).

p1203[0...n]	Flying restart search rate factor / FlyRst v_Srch Fact		
	Access level: 3	Calculated: -	Data type: FloatingPoint32
	Can be changed: U, T	Scaling: -	Dyn. index: DDS, p0180
	Units group: -	Unit selection: -	Func. diagram: -
	Min	Max	Factory setting
	10 [%]	4000 [%]	100 [%]
Description:	Sets the factor for the search speed for flying restart. The value influences the rate at which the output frequency is changed during a flying restart . A higher value results in a longer search time.		
Recommend.:	For encoderless vector control and motor cables longer than 200 m, set the factor p1203 >= 300 %.		
Caution:	An unfavorable parameter value can result in the motor behaving in an uncontrollable fashion.		
	For vector control, a value that is too low or too high can cause flying restart to become unstable.		
Note:	The parameter factory setting is selected so that standard induction motors that are rotating can be found and restarted as quickly as possible (fast flying restart). With this pre-setting, if the motor is not found (e.g. for motors that are accelerated as a result of active loads or with U/f control and low speeds), we recommend that the search rate is reduced (by increasing p1203).		


r1204.0...13	CO/BO: Flying restart U/f control status / FlyRest Uf st				
	Access level: 4	Calculated: -	Data type: Unsigned16		
	Can be changed: -	Scaling: -	Dyn. index: -		
	Units group: -	Unit selection: -	Func. diagram: -		
	Min	Max	Factory setting		
	-	-	-		
Description:	Displays the status for checking and monitoring flying restart states in the U/f control mode.				
Bit field:	Bit	Signal name	1 signal	0 signal	FP
	00	Current impressed	Yes	No	-
	01	No current flow	Yes	No	-
	02	Voltage input	Yes	No	-
	03	Voltage reduced	Yes	No	-
	04	Start ramp-function generator	Yes	No	-
	05	Wait for execution	Yes	No	-
	06	Slope filter act	Yes	No	-
	07	Positive gradient	Yes	No	-
	08	Current < thresh	Yes	No	-
	09	Current minimum	Yes	No	-
	10	Search in the positive direction	Yes	No	-
	11	Stop after positive direction	Yes	No	-
	12	Stop after negative direction	Yes	No	-
	13	No result	Yes	No	-

r1205.0...15	CO/BO: Flying restart vector control status / FlyRest vector st				
	Access level: 4	Calculated: -	Data type: Unsigned32		
	Can be changed: -	Scaling: -	Dyn. index: -		
	Units group: -	Unit selection: -	Func. diagram: -		
	Min	Max	Factory setting		
	-	-	-		
Description:	Display and connector output for the status for checking and monitoring flying restart states in the vector control mode.				
Bit field:	Bit	Signal name	1 signal	0 signal	FP
	00	Speed adaptation circuit record angle	Yes	No	-
	01	Speed adaptation circuit set gain to 0	Yes	No	-
	02	Isd channel enable	Yes	No	-
	03	Speed control switched out	Yes	No	-
	04	Quadrature arm switched in	Yes	No	-
	05	Special transformation active	Yes	No	-
	06	Speed adaptation circuit set I comp to 0	Yes	No	-

07	Current control on	Yes	No	-
08	Isd_set = 0 A	Yes	No	-
09	Frequency held	Yes	No	-
10	Search in the positive direction	Yes	No	-
11	Search Started	Yes	No	-
12	Current impressed	Yes	No	-
13	Search interrupted	Yes	No	-
14	Speed adaptation circuit deviation = 0	Yes	No	-
15	Speed control activated	Yes	No	-

Note: Re bit 00 ... 09:
Used to control internal sequences during the flying restart.
Depending on the motor type (p0300), the number of active bits differs.
Re bits 10 ... 15:
Are used to monitor the flying restart sequence.

p1206[0...9]	Faults without automatic restart / F w/out auto AR		
Access level: 3	Calculated: -	Data type: Unsigned16	
Can be changed: U, T	Scaling: -	Dyn. index: -	
Units group: -	Unit selection: -	Func. diagram: -	
Min	Max	Factory setting	
0	65535	0	
Description:	Sets faults for which automatic restart should not be effective.		
Dependency:	The setting is only effective for p1210 = 6, 16, 26. Refer to: p1210		

p1210	Automatic restart mode / AR mode		
Access level: 2	Calculated: -	Data type: Integer16	
Can be changed: U, T	Scaling: -	Dyn. index: -	
Units group: -	Unit selection: -	Func. diagram: -	
Min	Max	Factory setting	
0	26	0	
Description:	Sets the automatic restart mode (AR). The parameters must be saved in the non-volatile memory p0971 = 1 in order that the setting becomes effective.		
Value:	0: Inhibit automatic restart 1: Acknowledge all faults without restarting 4: Restart after line supply failure w/o additional start attempts 6: Restart after fault with additional start attempts 14: Restart after line supply failure following man. acknowledgment 16: Restart after fault following manual acknowledgment 26: Acknowledging all faults and reclosing for an ON command		
Recommend.:	For brief line supply failures, the motor shaft may still be rotating when restarting. The "flying restart" function (p1200) might need to be activated to restart while the motor shaft is still rotating.		
Dependency:	The automatic restart requires an active ON command (e.g., via a digital input). If, for p1210 > 1, there is no active ON command, then the automatic restart is interrupted. When using an Operator Panel in the LOCAL mode, then there is no automatic start. For p1210 = 14, 16, a manual acknowledgement is required for an automatic restart. Refer to: p0840, p0857		
Danger:	If the automatic restart is activated (p1210 > 1) if there is an ON command (refer to p0840), the drive is powered up as soon as any fault messages that are present can be acknowledged. This also occurs after the line supply returns or the Control Unit boots if the DC link voltage is present again. This automatic power-up sequence can only be interrupted by withdrawing the ON command.		
			
Notice:	A change is only accepted and made in the state "initialization" (r1214.0) and "wait for alarm" (r1214.1). When faults are present, therefore, the parameter cannot be changed. For p1210 > 1, the motor is automatically started.		
Note:	Re p1210 = 1: Faults that are present are automatically acknowledged. If new faults occur after a successful fault acknowledgment, then these are also automatically acknowledged again. p1211 has no influence on the number of acknowledgment attempts.		

Re p1210 = 4:

An automatic restart is only performed if fault F30003 has occurred on the power unit. If additional faults are present, then these faults are also acknowledged and when successful, starting continues. If, for external 24 V power supplies of the CU, additional faults subsequently occur, these are no longer interpreted as line faults and are therefore also not acknowledged.

Re p1210 = 6:

An automatic restart is carried out if any fault has occurred.

Re p1210 = 14:

As for p1210 = 4. However, faults that are present must be manually acknowledged.

Re p1210 = 16:

As for p1210 = 6. However, faults that are present must be manually acknowledged.

Re p1210 = 26:

The same as for p1210 = 6. For this mode, the switch-on command can be entered with a delay. The restart is interrupted with either OFF2 or OFF3. Alarm A07321 is only displayed if the cause of the fault has been removed and the drive is restarted by setting the switch-on command.

p1211

Automatic restart start attempts / AR start attempts

Access level: 3	Calculated: -	Data type: Unsigned16
Can be changed: U, T	Scaling: -	Dyn. index: -
Units group: -	Unit selection: -	Func. diagram: -
Min	Max	Factory setting
0	10	3

Description:

Sets the start attempts of the automatic restart function for p1210 = 4, 6, 14, 16, 26.

Dependency:

A change is only accepted and made in the state "initialization" (r1214.0) and "wait for alarm" (r1214.1). Refer to: p1210, r1214

Notice:

After fault F07320 occurs, the power-on command must be withdrawn and all of the faults acknowledged so that the automatic restart function is re-activated.

After a complete power failure the start counter always starts with the counter value that applied before the power failure, and decrements this start attempt by 1. If a further attempt to acknowledge is started by the automatic restart function prior to power failure, e.g. when the CU remains active on power failure longer than the time p1212 / 2, the fault counter will already have been decremented once. In this case, the start counter is thus decreased by the value 2.

Note:

A start attempt starts immediately when a fault occurs. The start attempt is considered to be completed if the motor was magnetized (r0056.4 = 1) and an additional delay time of 1 s has expired.

As long as a fault is present, an acknowledge command is generated in the time intervals of p1212 / 2. When successfully acknowledged, the start counter is decremented. If, after this, a fault re-occurs before a restart has been completed, then acknowledgement starts again from the beginning.

Fault F07320 is output if, after several faults occur, the number of parameterized start attempts has been reached. After a successful start attempt, i.e. a fault/error has no longer occurred up to the end of the magnetizing phase, the start counter is again reset to the parameter value after 1 s. If a fault re-occurs - the parameterized number of start attempts is again available.

At least one start attempt is always carried out.

After a line supply failure, acknowledgement is immediate and when the line supply returns, the system is powered up. If, between successfully acknowledging the line fault and the line supply returning, another fault occurs, then its acknowledgement also causes the start counter to be decremented.

Re p1210 = 26:

The start counter is decremented if after a successful fault acknowledgement, the on command is present.

p1212

Automatic restart delay time start attempts / AR t_wait start

Access level: 3	Calculated: -	Data type: FloatingPoint32
Can be changed: U, T	Scaling: -	Dyn. index: -
Units group: -	Unit selection: -	Func. diagram: -
Min	Max	Factory setting
0.1 [s]	1000.0 [s]	1.0 [s]

Description:

Sets the delay time up to restart.

Dependency:

This parameter setting is active for p1210 = 4, 6, 26.

For p1210 = 1, the following applies:

Faults are only automatically acknowledged in half of the waiting time, no restart.

Refer to: p1210, r1214

Notice:

A change is only accepted and made in the state "initialization" (r1214.0) and "wait for alarm" (r1214.1).

Note:

The faults are automatically acknowledged after half of the delay time has expired and the full delay time.

If the cause of a fault is not removed in the first half of the delay time, then it is no longer possible to acknowledge in the delay time.

p1213[0...1]**Automatic restart monitoring time / AR t_monit**

Access level: 3	Calculated: -	Data type: FloatingPoint32
Can be changed: U, T	Scaling: -	Dyn. index: -
Units group: -	Unit selection: -	Func. diagram: -
Min	Max	Factory setting
0.0 [s]	10000.0 [s]	[0] 60.0 [s] [1] 0.0 [s]

Description:

Sets the monitoring time of the automatic restart (AR).

Index:

[0] = Restart

[1] = Reset start counter

Dependency:

Refer to: p1210, r1214

Notice:

A change is only accepted and made in the state "initialization" (r1214.0) and "wait for alarm" (r1214.1).

After fault F07320 occurs, the power-on command must be withdrawn and all of the faults acknowledged so that the automatic restart function is re-activated.

Note:

Re index 0:

The monitoring time starts when the faults are detected. If the automatic acknowledgements are not successful, the monitoring time runs again. If, after the monitoring time has expired, the drive has still not successfully started again (flying restart and magnetizing of the motor must have been completed: r0056.4 = 1), then fault F07320 is output.

The monitoring is de-activated with p1213 = 0. If p1213 is set lower than the sum of p1212, the magnetizing time p0346 and the additional delay time due to the flying restart, then fault F07320 is generated at each restart. If, for p1210 = 1, the time in p1213 is set lower than in p1212, then fault F07320 is also generated at each restart.

The monitoring time must be extended if the faults that occur cannot be immediately and successfully acknowledged (e.g. for faults that are permanently present).

In the case of p1210 = 14, 16, the faults which are present must be acknowledged manually within the time in p1213[0]. Otherwise, fault F07320 is generated after the set time.

Re index 1:

The start counter (refer to r1214) is only set back to the starting value p1211 if, after successful restart, the time in p1213[1] has expired. The delay time is not effective for fault acknowledgement without automatic restart (p1210 = 1). After a power failure (blackout) the delay time only starts after the line supply returns and the Control Unit boots. The start counter is set to p1211, if F07320 occurred, the power-on command is withdrawn and the fault is acknowledged.

The start counter is immediately updated if the starting value p1211 or the mode p1210 is changed.

For p1210 = 26, the fault must have been successfully acknowledged and the switch-on command issued within the time in p1213[0]. Otherwise, fault F07320 is generated after the set time.

r1214.0...15**CO/BO: Automatic restart status / AR status**

Access level: 4	Calculated: -	Data type: Unsigned16
Can be changed: -	Scaling: -	Dyn. index: -
Units group: -	Unit selection: -	Func. diagram: -
Min	Max	Factory setting
-	-	-

Description:

Displays the status of the automatic restart (AR).

Bit field:

Bit	Signal name	1 signal	0 signal	FP
00	Initialization	Yes	No	-
01	Wait for alarm	Yes	No	-
02	Auto restart act	Yes	No	-
03	Setting the acknowledgement command	Yes	No	-
04	Acknowledge alarms	Yes	No	-
05	Restart	Yes	No	-

2 Parameters

2.2 List of parameters

06	Delay time running after automatic power-up	Yes	No	-
07	Fault	Yes	No	-
10	Effective fault	Yes	No	-
12	Start count. bit 0	ON	OFF	-
13	Start count. bit 1	ON	OFF	-
14	Start count. bit 2	ON	OFF	-
15	Start count. bit 3	ON	OFF	-

Note:

Re bit 00:

State to display the single initialization after POWER ON.

Re bit 01:

State in which the automatic restart function waits for faults (initial state).

Re bit 02:

General display that a fault has been identified and that the restart or acknowledgement has been initiated.

Re bit 03:

Displays the acknowledge command within the "acknowledge alarms" state (bit 4 = 1). For bit 5 = 1 or bit 6 = 1, the acknowledge command is continually displayed.

Re bit 04:

State in which the faults that are present are acknowledged. The state is exited again after successful acknowledgement. A change is only made into the next state if it is signaled that a fault is no longer present after an acknowledgement command (bit 3 = 1).

Re bit 05:

State in which the drive is automatically powered up (only for p1210 = 4, 6).

Re bit 06:

State in which the system waits after having been powered up, to the end of the start attempt (to the end of the magnetizing process).

For p1210 = 1, this signal is directly set after the faults have been successfully acknowledged.

Re bit 07:

State which is assumed after a fault occurs within the automatic restart function. This is only reset after acknowledging the fault and withdrawing the power-on command.

Re bit 10:

When the automatic restart function is active, r1214.7 is displayed, otherwise the active fault r2139.3.

Re bits 12 ... 15:

Actual state of the start counter (binary coded).

Re bit 04 in addition:

For p1210 = 26, the system waits in this state until the switch-on command is available.

p1215

Motor holding brake configuration / Brake config

Access level: 2	Calculated: -	Data type: Integer16
Can be changed: T	Scaling: -	Dyn. index: -
Units group: -	Unit selection: -	Func. diagram: 2701, 2707, 2711
Min	Max	Factory setting
0	3	0

Description:

Sets the holding brake configuration.

Value:

- 0: No motor holding brake available
- 1: Motor holding brake acc. to sequence control
- 2: Motor holding brake always open
- 3: Motor holding brake like sequence control connection via BICO

Dependency:

Refer to: p1216, p1217, p1226, p1227, p1228, p1278

Caution:

For the setting p1215 = 0, if a brake is used, it remains closed. If the motor moves, this will destroy the brake.



Notice:

If p1215 was set to 1 or if p1215 was set to 3, then when the pulses are suppressed, the brake is closed even if the motor is still rotating. Pulse suppression can either be caused by a 0 signal at p0844, p0845 or p0852 or as a result of a fault with OFF2 response. If this is not desirable (e.g. for a flying restart), then the brake can be kept open using a 1 signal at p0855.

Note: If the configuration is set to "no holding brake present" when booting, then the motor holding brake will be automatically identified. If a motor holding brake is detected, the configuration is set to "motor holding brake as for sequence control".

If a motor holding brake is used via the brake connection of the Power Module integrated in the drive, then it is not permissible that p1215 is set to 3.

if an external motor holding brake is being used, then p1215 should be set to 3 and r0899.12 should be interconnected as control signal.

The parameter can only be set to zero when the pulses are inhibited.

The parameterization "no motor holding brake available" and "Safe Brake Control" enabled (p1215 = 0, p9602 = 1, p9802 = 1) is not practical if there is no motor holding brake.

The parameterization "motor holding brake the same as sequence control, connection via BICO" and "Safe Brake Control" enabled (p1215 = 3, p9602 = 1, p9802 = 1) is not practical.

p1216	Motor holding brake opening time / Brake t_{open}		
	Access level: 2	Calculated: -	Data type: FloatingPoint32
	Can be changed: U, T	Scaling: -	Dyn. index: -
	Units group: -	Unit selection: -	Func. diagram: 2701
	Min	Max	Factory setting
	0 [ms]	10000 [ms]	100 [ms]
Description:	Sets the time to open the motor holding brake. After the holding brake has been controlled (opened), the speed setpoint remains at zero for this time. After this, the speed setpoint is enabled.		
Recommend.:	This time should be set longer than the actual opening time of the brake. This ensures that the drive cannot accelerate when the brake is applied.		
Dependency:	Refer to: p1215, p1217		
Note:	For a motor with DRIVE-CLiQ and integrated brake, for p0300 = 10000, this time is pre-assigned the value saved in the motor.		

p1217	Motor holding brake closing time / Brake t_{close}		
	Access level: 2	Calculated: -	Data type: FloatingPoint32
	Can be changed: U, T	Scaling: -	Dyn. index: -
	Units group: -	Unit selection: -	Func. diagram: 2701
	Min	Max	Factory setting
	0 [ms]	10000 [ms]	100 [ms]
Description:	Sets the time to apply the motor holding brake. After OFF1 or OFF3 and the controlling (closing) of the holding brake, the drive remains stationary under closed-loop control for this time with a speed setpoint of zero. The pulses are suppressed when the time expires.		
Recommend.:	This time should be set longer than the actual closing time of the brake. This ensures that the pulses are only suppressed after the brake has closed.		
Dependency:	Refer to: p1215, p1216		
Notice:	If the selected closing time is too short with respect to the actual closing time of the brake, then the load can sag. If the closing time is selected to be too long with respect to the actual closing time of the brake, the control works against the brake and therefore reduces its lifetime.		
Note:	For a motor with DRIVE-CLiQ and integrated brake, for p0300 = 10000, this time is pre-assigned the value saved in the motor.		

p1226[0...n]	Threshold for zero speed detection / n_{standst} n_{thresh}		
	Access level: 2	Calculated: -	Data type: FloatingPoint32
	Can be changed: U, T	Scaling: -	Dyn. index: DDS, p0180
	Units group: 3_1	Unit selection: p0505	Func. diagram: 2701, 8020
	Min	Max	Factory setting
	0.00 [rpm]	210000.00 [rpm]	20.00 [rpm]
Description:	Sets the speed threshold for the standstill identification. Acts on the actual value and setpoint monitoring. When braking with OFF1 or OFF3, when the threshold is undershot, standstill is identified.		
Dependency:	Refer to: p1227		

2 Parameters

2.2 List of parameters

Caution:

For closed-loop speed and torque control without encoder, the following applies:

If p1226 is set to values under approx. 1 % of the rated motor speed, then the model switchover limits of the vector control must be increased in order to guarantee reliable shutdown (see p1755, p1750 bit 7).

Note:

Standstill is identified in the following cases:

- the speed actual value falls below the speed threshold in p1226 and the time started after this in p1228 has expired.
- the speed setpoint falls below the speed threshold in p1226 and the time started after this in p1227 has expired.

The actual value sensing is subject to measuring noise. For this reason, standstill cannot be detected if the speed threshold is too low.

p1227**Zero speed detection monitoring time / n_standst t_monit**

Access level: 3	Calculated: -	Data type: FloatingPoint32
Can be changed: U, T	Scaling: -	Dyn. index: -
Units group: -	Unit selection: -	Func. diagram: 2701
Min	Max	Factory setting
0.000 [s]	300.000 [s]	300.000 [s]

Description:

Sets the monitoring time for the standstill identification.

When braking with OFF1 or OFF3, standstill is identified after this time has expired, after the setpoint speed has fallen below p1226 (also refer to p1145).

Dependency:

The parameter is pre-assigned depending on the size of the power unit.

Refer to: p1226

Notice:

For p1145 > 0.0 (RFG tracking) the setpoint is not equal to zero dependent on the selected value. This can therefore cause the monitoring time in p1227 to be exceeded. In this case, for a driven motor, the pulses are not suppressed.

Note:

Standstill is identified in the following cases:

- the speed actual value falls below the speed threshold in p1226 and the time started after this in p1228 has expired.
- the speed setpoint falls below the speed threshold in p1226 and the time started after this in p1227 has expired.

For p1227 = 300.000 s, the following applies:

Monitoring is de-activated.

For p1227 = 0.000 s, the following applies:

With OFF1 or OFF3 and a ramp-down time = 0, the pulses are immediately suppressed and the motor "coasts" down.

Once the Control Unit has been booted up for the first time or if the factory settings have been defined accordingly, the parameter is defined in accordance with the power unit.

p1228**Pulse suppression delay time / Pulse suppr t_del**

Access level: 3	Calculated: -	Data type: FloatingPoint32
Can be changed: U, T	Scaling: -	Dyn. index: -
Units group: -	Unit selection: -	Func. diagram: 2701, 8020
Min	Max	Factory setting
0.000 [s]	299.000 [s]	0.010 [s]

Description:

Sets the delay time for pulse suppression.

After OFF1 or OFF3, the pulses are canceled, if at least one of the following conditions is fulfilled:

- the speed actual value falls below the threshold in p1226 and the time started after this in p1228 has expired.
- the speed setpoint falls below the threshold in p1226 and the time started after this in p1227 has expired.

Dependency:

Refer to: p1226, p1227

Notice:

When the motor holding brake is activated, pulse cancellation is additionally delayed by the brake closing time (p1217).

p1230[0...n]**BI: DC braking activation / DC brake act**

Access level: 2	Calculated: -	Data type: U32 / Binary
Can be changed: U, T	Scaling: -	Dyn. index: CDS, p0170
Units group: -	Unit selection: -	Func. diagram: 7017
Min	Max	Factory setting
-	-	0

Description:

Sets the signal source to activate DC braking.

Dependency:

Refer to: p1231, p1232, p1233, p1234, r1239

Note: 1 signal: DC braking activated.
0 signal: DC braking de-activated.

p1231[0...n]	DC braking configuration / DCBRK config		
	Access level: 2	Calculated: -	Data type: Integer16
	Can be changed: U, T	Scaling: -	Dyn. index: MDS, p0130
	Units group: -	Unit selection: -	Func. diagram: 7014, 7016, 7017
	Min	Max	Factory setting
	0	14	0
Description:	Setting to activate DC braking.		
Value:	0: No function 4: DC braking 5: DC braking for OFF1/OFF3 14: DC braking below starting speed		
Dependency:	Refer to: p0300, p1232, p1233, p1234, r1239		
Note:	The function can only be used for induction motors (p0300 = 1). Re p1231 = 4: The function is activated as soon as the activation criterion is fulfilled. - the function can be superseded by an OFF2 response. Activation criterion (one of the following criteria is fulfilled): - binector input p1230 = 1 signal (DC braking activation, depending on the operating mode). - the drive is not in the state "S4: Operation" or in "S5x". - the internal pulse enable is missing (r0046.19 = 0). DC braking can only be withdrawn (p1231 = 0) if it is not being used as a fault response in p2101. Re p1231 = 5: DC braking is activated if the OFF1 or OFF3 command is present. Binector input p1230 is ineffective. If the drive speed still lies above the speed threshold p1234, then initially, the drive is ramped-down to this threshold, demagnetized (see p0347) and is then switched into DC braking for the time set in p1233. After this, the drive is switched-off. If, at OFF1, the drive speed is below p1234, then it is immediately demagnetized and switched into DC braking. A change is made into normal operation if the OFF1 command is withdrawn prematurely. Flying restart must be activated if the motor is still rotating. DC braking by means of fault response continues to be possible. Re p1231 = 14: In addition to the function for p1231 = 5, binector input p1230 is evaluated. DC braking is only automatically activated when the speed threshold p1234 is fallen below if binector input p1230 = 1 signal. This is also the case, if no OFF command is present. After demagnetization and after the time in p1233 has expired, the drive changes back into normal operation or is switched-off (for OFF1/OFF3). If a 0 signal is applied to binector input p1230, for OFF1 and OFF3 no DC braking is executed. Note: DCBRK: DC Braking		

p1232[0...n]	DC braking braking current / DCBRK I_brake		
	Access level: 2	Calculated: p0340 = 1	Data type: FloatingPoint32
	Can be changed: U, T	Scaling: -	Dyn. index: MDS, p0130
	Units group: -	Unit selection: -	Func. diagram: 7017
	Min	Max	Factory setting
	0.00 [Arms]	10000.00 [Arms]	0.00 [Arms]
Description:	Sets the braking current for DC braking.		
Dependency:	Refer to: p1230, p1231, p1233, p1234, r1239, p1345, p1346		
Note:	A change to the braking current becomes effective the next time that DC braking is switched on. The value for p1232 is specified as an rms value in the 3-phase system. The magnitude of the braking current is the same as that of an identical output current at frequency zero (see r0067, r0068, p0640). The braking current is internally limited to r0067. For the current controller, the settings of parameters p1345 and p1346 (I_max limiting controller) are used.		

p1233[0...n]	DC braking time / DCBRK time		
	Access level: 2	Calculated: -	Data type: FloatingPoint32
	Can be changed: U, T	Scaling: -	Dyn. index: MDS, p0130
	Units group: -	Unit selection: -	Func. diagram: 7017
	Min	Max	Factory setting
	0.0 [s]	3600.0 [s]	1.0 [s]
Description:	Sets the DC braking time (as fault response).		
Dependency:	Refer to: p1230, p1231, p1232, p1234, r1239		
Note:	If a speed encoder is being used, DC braking is ended as soon as the drive falls below the standstill threshold (p1226).		

p1234[0...n]	Speed at the start of DC braking / DCBRK n_start		
	Access level: 2	Calculated: -	Data type: FloatingPoint32
	Can be changed: U, T	Scaling: -	Dyn. index: MDS, p0130
	Units group: -	Unit selection: -	Func. diagram: 7017
	Min	Max	Factory setting
	0.00 [rpm]	210000.00 [rpm]	210000.00 [rpm]
Description:	Sets the starting speed for DC braking.		
	If the actual speed falls below this threshold, then DC braking is activated.		
Dependency:	Refer to: p1230, p1231, p1232, p1233, r1239		

r1239.8...13	CO/BO: DC braking status word / DCBRK ZSW				
	Access level: 2	Calculated: -	Data type: Unsigned32		
	Can be changed: -	Scaling: -	Dyn. index: -		
	Units group: -	Unit selection: -	Func. diagram: -		
	Min	Max	Factory setting		
	-	-	-		
Description:	Status word of the DC braking.				
Bit field:	Bit	Signal name	1 signal	0 signal	FP
	08	DC braking active	Yes	No	7017
	10	DC braking ready	Yes	No	7017
	11	DC braking selected	Yes	No	-
	12	DC braking selection internally inhibited	Yes	No	-
	13	DC braking for OFF1/OFF3	Yes	No	-
Dependency:	Refer to: p1231, p1232, p1233, p1234				
Note:	Re bit 12, 13: Only effective for p1231 = 14.				

p1240[0...n]	Vdc controller configuration (vector control) / Vdc ctr config vec		
PM240	Access level: 3	Calculated: -	Data type: Integer16
	Can be changed: U, T	Scaling: -	Dyn. index: DDS, p0180
	Units group: -	Unit selection: -	Func. diagram: 6220
	Min	Max	Factory setting
	0	3	1
Description:	Sets the controller configuration of the DC link voltage (Vdc controller) in the closed-loop control mode.		
	For U/f control: see p1280.		
Value:	0: Inhib Vdc ctrl 1: Enable Vdc_max controller 2: Enable Vdc_min controller (kinetic buffering) 3: Enable Vdc_min controller and Vdc_max controller		
Dependency:	Refer to: p1245		
Notice:	An excessively high value in p1245 can possibly negatively influence the normal operation of the drive.		
Note:	If a braking resistor is connected to the DC link (p0219 > 0), then the Vdc_max control is automatically deactivated.		

p1240 = 1, 3:

When the DC link voltage limit specified for the power unit is reached the following applies:

- the Vdc_max controller limits the regenerative energy in order that the DC link voltage is kept below the maximum DC link voltage when braking.
- the ramp-down times are automatically increased.

p1240 = 2, 3:

When the switch-in threshold of the Vdc_min controller is reached (p1245), the following applies:

- the Vdc_min controller limits the energy taken from the DC link in order to keep the DC link voltage above the minimum DC link voltage when accelerating.
- the motor is braked in order to use its kinetic energy to buffer the DC link.

r1242	Vdc_max controller switch-in level / Vdc_max on_level		
PM240	Access level: 3	Calculated: -	Data type: FloatingPoint32
	Can be changed: -	Scaling: p2001	Dyn. index: -
	Units group: -	Unit selection: -	Func. diagram: 6220
	Min	Max	Factory setting
	- [V]	- [V]	- [V]
Description:	Displays the switch-in level for the Vdc_max controller. If p1254 = 0 (automatic sensing of the switch-in level = off), then the following applies: r1242 = 1.15 * sqrt(2) * p0210 (supply voltage) PM230: r1242 is limited to Vdc_max - 50.0 V. If p1254 = 1 (automatic sensing of the switch-in level = on), then the following applies: r1242 = Vdc_max - 50.0 V (Vdc_max: Overvoltage threshold of the power unit) r1242 = Vdc_max - 25.0 V (for 230 V power units)		
Notice:	If the activation level of the Vdc_max controller is already exceeded in the deactivated state (pulse inhibit) by the DC link voltage, then the controller can be automatically deactivated (see F07401), so that the drive is not accelerated the next time that it is activated.		
Note:	The Vdc_max controller is not switched back off until the DC-link voltage falls below the threshold 0.95 * r1242 and the controller output is zero.		

p1243[0...n]	Vdc_max controller dynamic factor / Vdc_max dyn_factor		
PM240	Access level: 3	Calculated: p0340 = 1,3,4	Data type: FloatingPoint32
	Can be changed: U, T	Scaling: -	Dyn. index: DDS, p0180
	Units group: -	Unit selection: -	Func. diagram: 6220
	Min	Max	Factory setting
	1 [%]	10000 [%]	100 [%]
Description:	Sets the dynamic factor for the DC link voltage controller (Vdc_max controller). 100% means that p1250, p1251, and p1252 (gain, integral time, and rate time) are used corresponding to their basic settings and based on a theoretical controller optimization. If subsequent optimization is required, this can be carried out using the dynamic factor. In this case p1250, p1251, p1252 are weighted with the dynamic factor p1243.		

p1245[0...n]	Vdc_min controller switch-in level (kinetic buffering) / Vdc_min on_level		
PM240	Access level: 3	Calculated: -	Data type: FloatingPoint32
	Can be changed: U, T	Scaling: -	Dyn. index: DDS, p0180
	Units group: -	Unit selection: -	Func. diagram: -
	Min	Max	Factory setting
	65 [%]	150 [%]	76 [%]
Description:	Sets the switch-in level for the Vdc-min controller (kinetic buffering). The value is obtained as follows: r1246[V] = p1245[%] * sqrt(2) * p0210		
Dependency:	Refer to: p0210		
Warning:	An excessively high value may adversely affect normal drive operation.		



r1246	Vdc_min controller switch-in level (kinetic buffering) / Vdc_min on_level		
PM240	Access level: 3	Calculated: -	Data type: FloatingPoint32
	Can be changed: -	Scaling: p2001	Dyn. index: -
	Units group: -	Unit selection: -	Func. diagram: 6220
	Min	Max	Factory setting
	- [V]	- [V]	- [V]
Description:	Displays the switch-in level for the Vdc_min controller (kinetic buffering).		
Note:	The Vdc_min controller is not switched back off until the DC-link voltage rises above the threshold $1.05 * p1246$ and the controller output is zero.		
p1247[0...n]	Vdc_min controller dynamic factor (kinetic buffering) / Vdc_min dyn_factor		
PM240	Access level: 3	Calculated: p0340 = 1,3,4	Data type: FloatingPoint32
	Can be changed: U, T	Scaling: -	Dyn. index: DDS, p0180
	Units group: -	Unit selection: -	Func. diagram: 6220
	Min	Max	Factory setting
	1 [%]	10000 [%]	300 [%]
Description:	Sets the dynamic factor for the Vdc_min controller (kinetic buffering). 100% means that p1250, p1251, and p1252 (gain, integral time, and rate time) are used corresponding to their basic settings and based on a theoretical controller optimization. If subsequent optimization is required, this can be carried out using the dynamic factor. In this case p1250, p1251, p1252 are weighted with the dynamic factor p1247.		
p1249[0...n]	Vdc_max controller speed threshold / Vdc_max n_thresh		
PM240	Access level: 3	Calculated: p0340 = 1	Data type: FloatingPoint32
	Can be changed: U, T	Scaling: -	Dyn. index: DDS, p0180
	Units group: 3_1	Unit selection: p0505	Func. diagram: -
	Min	Max	Factory setting
	0.00 [rpm]	210000.00 [rpm]	10.00 [rpm]
Description:	Sets the lower speed threshold for the Vdc_max controller. When this speed threshold is undershot, the Vdc_max control is switched out and the speed is controlled using the ramp-function generator.		
Note:	For fast braking where the ramp-function generator tracking was active, it is possible to prevent the drive rotating in the opposite direction by increasing the speed threshold and setting a final rounding-off time in the ramp-function generator (p1131). This is supported using a dynamic setting of the speed controller.		
p1250[0...n]	Vdc controller proportional gain / Vdc_ctrl Kp		
PM240	Access level: 3	Calculated: -	Data type: FloatingPoint32
	Can be changed: U, T	Scaling: -	Dyn. index: DDS, p0180
	Units group: -	Unit selection: -	Func. diagram: -
	Min	Max	Factory setting
	0.00	100.00	1.00
Description:	Sets the proportional gain for the DC-link voltage controller (Vdc_min controller, Vdc_max controller).		
Dependency:	The effective proportional gain is obtained taking into account p1243 (Vdc_max controller dynamic factor) and the DC link capacitance of the power unit.		
p1251[0...n]	Vdc controller integral time / Vdc_ctrl Tn		
PM240	Access level: 3	Calculated: -	Data type: FloatingPoint32
	Can be changed: U, T	Scaling: -	Dyn. index: DDS, p0180
	Units group: -	Unit selection: -	Func. diagram: 6220
	Min	Max	Factory setting
	0 [ms]	10000 [ms]	0 [ms]
Description:	Sets the integral time for the DC-link voltage controller (Vdc_min controller, Vdc_max controller).		
Dependency:	The effective integral time is obtained taking into account p1243 (Vdc_max controller dynamic factor).		

Note: p1251 = 0: The integral component is de-activated.

p1252[0...n]	Vdc controller rate time / Vdc_ctrl t_rate		
PM240	Access level: 3	Calculated: -	Data type: FloatingPoint32
	Can be changed: U, T	Scaling: -	Dyn. index: DDS, p0180
	Units group: -	Unit selection: -	Func. diagram: 6220
	Min	Max	Factory setting
	0 [ms]	1000 [ms]	0 [ms]
Description:	Sets the rate time constant for the DC-link voltage controller (Vdc_min controller, Vdc_max controller).		
Dependency:	The effective rate time is obtained taking into account p1243 (Vdc_max controller dynamic factor).		

p1254	Vdc_max controller automatic ON level detection / Vdc_max SenseOnLev		
PM240	Access level: 3	Calculated: -	Data type: Integer16
	Can be changed: U, T	Scaling: -	Dyn. index: -
	Units group: -	Unit selection: -	Func. diagram: -
	Min	Max	Factory setting
	0	1	1
Description:	Activates/de-activates the automatic sensing of the switch-in level for the Vdc_max controller.		
Value:	0: Automatic detection inhibited 1: Automatic detection enabled		

p1255[0...n]	Vdc_min controller time threshold / Vdc_min t_thresh		
PM240	Access level: 3	Calculated: -	Data type: FloatingPoint32
	Can be changed: U, T	Scaling: -	Dyn. index: DDS, p0180
	Units group: -	Unit selection: -	Func. diagram: -
	Min	Max	Factory setting
	0.000 [s]	1800.000 [s]	0.000 [s]
Description:	Sets the time threshold for the Vdc_min controller (kinetic buffering). If this value is exceeded a fault is output; the required response can be parameterized. Prerequisite: p1256 = 1		
Notice:	If a time threshold has been parameterized, the Vdc_max controller should also be activated (p1240 = 3) so that the drive does not shut down with overvoltage when Vdc_min control is exited (due to the time violation) and in the event of fault response OFF3. It is also possible to increase the OFF3 ramp-down time p1135.		

p1256[0...n]	Vdc_min controller response (kinetic buffering) / Vdc_min response		
PM240	Access level: 3	Calculated: -	Data type: Integer16
	Can be changed: U, T	Scaling: -	Dyn. index: DDS, p0180
	Units group: -	Unit selection: -	Func. diagram: -
	Min	Max	Factory setting
	0	1	0
Description:	Sets the response for the Vdc_min controller (kinetic buffering).		
Value:	0: Buffer Vdc until undervoltage, n<p1257 -> F07405 1: Buff. Vdc until undervolt., n<p1257 -> F07405, t>p1255 -> F07406		

p1257[0...n]	Vdc_min controller speed threshold / Vdc_min n_thresh		
PM240	Access level: 3	Calculated: p0340 = 1	Data type: FloatingPoint32
	Can be changed: U, T	Scaling: -	Dyn. index: DDS, p0180
	Units group: 3_1	Unit selection: p0505	Func. diagram: -
	Min	Max	Factory setting
	0.00 [rpm]	210000.00 [rpm]	50.00 [rpm]
Description:	Sets the speed threshold for the Vdc-min controller (kinetic buffering). If this value is exceeded a fault is output; the required response can be parameterized . Kinetic buffering is not started below the speed threshold.		

2 Parameters

2.2 List of parameters

Note: Exiting the Vdc_min control before reaching motor standstill prevents the regenerative braking current from increasing significantly at low speeds, and after a pulse inhibit, means that the motor coasts down. However, the maximum braking torque can be set via the appropriate torque limiting.

r1258	CO: Vdc controller output / Vdc_ctrl output		
PM240	Access level: 3	Calculated: -	Data type: FloatingPoint32
	Can be changed: -	Scaling: p2002	Dyn. index: -
	Units group: 6_2	Unit selection: p0505	Func. diagram: 6220
	Min	Max	Factory setting
	- [Arms]	- [Arms]	- [Arms]

Description: Displays the actual output of the Vdc controller (DC link voltage controller)

Note: The regenerative power limit p1531 is used for vector control to pre-control the Vdc_max controller. The lower the power limit is set, the lower the correction signals of the controller when the voltage limit is reached.

p1271[0...n]	Flying restart maximum frequency for the inhibited direction / FlyRes f_max dir		
	Access level: 3	Calculated: -	Data type: FloatingPoint32
	Can be changed: U, T	Scaling: -	Dyn. index: DDS, p0180
	Units group: -	Unit selection: -	Func. diagram: -
	Min	Max	Factory setting
	0 [Hz]	650 [Hz]	0 [Hz]

Description: Sets the maximum search frequency for a flying restart in an inhibited setpoint direction (p1110, p1111).

Note: The parameter has no effect for an operating mode, which only searches in the setpoint direction (p1200 > 3).

p1278	Brake control diagnostics evaluation / Brake diagnostics		
	Access level: 2	Calculated: -	Data type: Integer16
	Can be changed: U, T	Scaling: -	Dyn. index: -
	Units group: -	Unit selection: -	Func. diagram: -
	Min	Max	Factory setting
	0	1	0

Description: Sets the brake control type (with or without diagnostics evaluation).

Example for brake control with diagnostics evaluation.

- brake control in the Motor Modules in booksize format
- Safe Brake Relay for AC Drive

Example for brake control without diagnostics evaluation.

- Brake Relay for AC Drive

Value: 0: Brake control with diagnostics evaluation

1: Brake control without diagnostics evaluation

Note: If the configuration of the motor holding brake (p1215) is set to "no holding brake present" when booting, then an automatic identification of the motor holding brake will be carried out. If a brake control is detected without diagnostics evaluation (e.g. Brake Relay for AC Drive), then the parameter is set to "brake control without diagnostics evaluation".

It is not permissible to parameterize "brake control without diagnostics evaluation" and also enable "safe brake control" (p1278 = 1, p9602 = 1, p9802 = 1).

p1280[0...n]	Vdc controller configuration (U/f) / Vdc_ctr config U/f		
PM240	Access level: 3	Calculated: -	Data type: Integer16
	Can be changed: U, T	Scaling: -	Dyn. index: DDS, p0180
	Units group: -	Unit selection: -	Func. diagram: 6300, 6320
	Min	Max	Factory setting
	0	3	1

Description: Sets the configuration of the controller for the DC link voltage (Vdc controller) in the U/f operating mode.

Value: 0: Inhib Vdc ctrl

1: Enable Vdc_max controller

2: Enable Vdc_min controller (kinetic buffering)

3: Enable Vdc_min controller and Vdc_max controller

Note: For high input voltages (p0210), the following settings can improve the degree of ruggedness of the Vdc_max controller:

- Set the input voltage as low as possible, and in so doing, avoid A07401 (p0210).
- set the rounding times (p1130, p1136).
- Increase the ramp-down times (p1121).
- Reduce the integral time of the controller (p1291), factor 0.5.
- Activate the Vdc correction in the current controller (p1810.1 = 1) or reduce the derivative action time of the controller (p1292, factor 0.5).

In this case, we generally recommend to use vector control (p1300 = 20) (Vdc controller, see p1240).
The following measures are suitable to improve the Vdc_min controller:

- Optimize the Vdc_min controller (see p1287).
- Activate the Vdc correction in the current controller (p1810.1 = 1).

If a braking resistor is connected to the DC link (p0219 > 0), then the Vdc_max control is automatically deactivated.


r1282	Vdc_max controller switch-in level (U/f) / Vdc_max on_level		
PM240	Access level: 3	Calculated: -	Data type: FloatingPoint32
	Can be changed: -	Scaling: p2001	Dyn. index: -
	Units group: -	Unit selection: -	Func. diagram: 6320
	Min	Max	Factory setting
	- [V]	- [V]	- [V]
Description:	Displays the switch-in level for the Vdc_max controller. If p1294 = 0 (automatic sensing of the switch-in level = off), then the following applies: r1282 = 1.15 * sqrt(2) * p0210 (supply voltage) If p1294 = 1 (automatic sensing of the switch-in level = on), then the following applies: r1282 = Vdc_max - 50.0 V (Vdc_max: Overvoltage threshold of the power unit) r1282 = Vdc_max - 25.0 V (for 230 V power units)		
Notice:	If the activation level of the Vdc_max controller is already exceeded in the deactivated state (pulse inhibit) by the DC link voltage, then the controller can be automatically deactivated (see F07401), so that the drive is not accelerated the next time that it is activated.		
Note:	The Vdc_max controller is not switched back off until the DC-link voltage falls below the threshold 0.95 * r1282 and the controller output is zero.		

p1283[0...n]	Vdc_max controller dynamic factor (U/f) / Vdc_max dyn_factor		
PM240	Access level: 3	Calculated: p0340 = 1,3,4	Data type: FloatingPoint32
	Can be changed: U, T	Scaling: -	Dyn. index: DDS, p0180
	Units group: -	Unit selection: -	Func. diagram: 6320
	Min	Max	Factory setting
	1 [%]	10000 [%]	100 [%]
Description:	Sets the dynamic factor for the DC link voltage controller (Vdc_max controller). 100% means that p1290, p1291, and p1292 (gain, integral time, and rate time) are used in accordance with their basic settings and on the basis of a theoretical controller optimization. If subsequent optimization is required, this can be carried out using the dynamic factor. In this case, p1290, p1291, and p1292 are weighted with the dynamic factor p1283.		

p1284[0...n]	Vdc_max controller time threshold (U/f) / Vdc_max t_thresh		
PM240	Access level: 3	Calculated: p0340 = 1	Data type: FloatingPoint32
	Can be changed: U, T	Scaling: -	Dyn. index: DDS, p0180
	Units group: -	Unit selection: -	Func. diagram: -
	Min	Max	Factory setting
	0.000 [s]	300.000 [s]	4.000 [s]
Description:	Sets the monitoring time for the Vdc_max controller. If the down ramp of the speed setpoint is held for longer than the time set in p1284, then fault F07404 is output.		

2 Parameters

2.2 List of parameters

p1285[0...n]	Vdc_min controller switch-in level (kinetic buffering) (U/f) / Vdc_min on_level		
PM240	Access level: 3	Calculated: -	Data type: FloatingPoint32
	Can be changed: U, T	Scaling: -	Dyn. index: DDS, p0180
	Units group: -	Unit selection: -	Func. diagram: -
	Min	Max	Factory setting
	65 [%]	150 [%]	76 [%]
Description:	Sets the switch-in level for the Vdc-min controller (kinetic buffering). The value is obtained as follows: $p1286[V] = p1285[\%] * \sqrt{2} * p0210$		
Warning:	An excessively high value may adversely affect normal drive operation.		
			
r1286	Vdc_min controller switch-in level (kinetic buffering) (U/f) / Vdc_min on_level		
PM240	Access level: 3	Calculated: -	Data type: FloatingPoint32
	Can be changed: -	Scaling: p2001	Dyn. index: -
	Units group: -	Unit selection: -	Func. diagram: 6320
	Min	Max	Factory setting
	- [V]	- [V]	- [V]
Description:	Displays the switch-in level for the Vdc_min controller (kinetic buffering).		
Note:	The Vdc_min controller is not switched back off until the DC-link voltage rises above the threshold $1.05 * p1286$ and the controller output is zero.		
p1287[0...n]	Vdc_min controller dynamic factor (kinetic buffering) (U/f) / Vdc_min dyn_factor		
PM240	Access level: 3	Calculated: p0340 = 1,3,4	Data type: FloatingPoint32
	Can be changed: U, T	Scaling: -	Dyn. index: DDS, p0180
	Units group: -	Unit selection: -	Func. diagram: 6320
	Min	Max	Factory setting
	1 [%]	10000 [%]	100 [%]
Description:	Sets the dynamic factor for the Vdc_min controller (kinetic buffering). 100% means that p1290, p1291, and p1292 (gain, integral time, and rate time) are used corresponding to their basic settings and based on a theoretical controller optimization. If subsequent optimization is required, this can be carried out using the dynamic factor. In this case, p1290, p1291, and p1292 are weighted with the dynamic factor p1287.		
p1288[0...n]	Vdc_max controller feedback coupling factor ramp-fct. gen. (U/f) / Vdc_max factor RFG		
	Access level: 4	Calculated: -	Data type: FloatingPoint32
	Can be changed: U, T	Scaling: -	Dyn. index: DDS, p0180
	Units group: -	Unit selection: -	Func. diagram: -
	Min	Max	Factory setting
	0.000	100.000	0.500
Description:	Sets the feedback factor for the ramp-function generator. Its ramp times are decelerated relative to the output signal of the Vdc_max controller.		
Note:	For values $p1288 = 0.0$ to 0.5 , the controller dynamics are automatically adapted internally.		

p1290[0...n]	Vdc controller proportional gain (U/f) / Vdc_ctrl Kp		
PM240	Access level: 3	Calculated: p0340 = 1,3,4	Data type: FloatingPoint32
	Can be changed: U, T	Scaling: -	Dyn. index: DDS, p0180
	Units group: -	Unit selection: -	Func. diagram: 6320
	Min	Max	Factory setting
	0.00	100.00	1.00
Description:	Sets the proportional gain for the Vdc controller (DC link voltage controller).		
Note:	The gain factor is proportional to the capacitance of the DC link. The parameter is pre-set to a value that is optimally adapted to the capacitance of the power unit.		
p1291[0...n]	Vdc controller integral time (U/f) / Vdc_ctrl Tn		
PM240	Access level: 3	Calculated: -	Data type: FloatingPoint32
	Can be changed: U, T	Scaling: -	Dyn. index: DDS, p0180
	Units group: -	Unit selection: -	Func. diagram: 6320
	Min	Max	Factory setting
	0 [ms]	10000 [ms]	40 [ms]
Description:	Sets the integral time for the Vdc controller (DC link voltage controller).		
p1292[0...n]	Vdc controller rate time (U/f) / Vdc_ctrl t_rate		
PM240	Access level: 3	Calculated: p0340 = 1,3,4	Data type: FloatingPoint32
	Can be changed: U, T	Scaling: -	Dyn. index: DDS, p0180
	Units group: -	Unit selection: -	Func. diagram: 6320
	Min	Max	Factory setting
	0 [ms]	1000 [ms]	10 [ms]
Description:	Sets the rate time constant for the Vdc controller (DC link voltage controller).		
p1293[0...n]	Vdc min controller output limit (U/f) / Vdc_min outp_lim		
PM240	Access level: 4	Calculated: p0340 = 1,3,4	Data type: FloatingPoint32
	Can be changed: U, T	Scaling: -	Dyn. index: DDS, p0180
	Units group: -	Unit selection: -	Func. diagram: 6320
	Min	Max	Factory setting
	0.00 [Hz]	600.00 [Hz]	600.00 [Hz]
Description:	Sets the output limit for the Vdc min controller (DC link undervoltage controller).		
p1294	Vdc_max controller automatic detection ON signal level (U/f) / Vdc_max SenseOnLev		
PM240	Access level: 3	Calculated: -	Data type: Integer16
	Can be changed: U, T	Scaling: -	Dyn. index: -
	Units group: -	Unit selection: -	Func. diagram: -
	Min	Max	Factory setting
	0	1	0
Description:	Activates/de-activates the automatic sensing of the switch-in level for the Vdc_max controller. When the sensing function is de-activated, the activation threshold r1282 for the Vdc_max controller is determined from the parameterized connection voltage p0210.		
Value:	0: Automatic detection inhibited 1: Automatic detection enabled		

2 Parameters

2.2 List of parameters

p1295[0...n]	Vdc_min controller time threshold (U/f) / Vdc_min t_thresh		
PM240	Access level: 3	Calculated: -	Data type: FloatingPoint32
	Can be changed: U, T	Scaling: -	Dyn. index: DDS, p0180
	Units group: -	Unit selection: -	Func. diagram: -
	Min	Max	Factory setting
	0.000 [s]	10000.000 [s]	0.000 [s]
Description:	Sets the time threshold for the Vdc_min controller (kinetic buffering). If this value is exceeded a fault is output; the required response can be parameterized. Prerequisite: p1296 = 1		
Notice:	If a time threshold has been parameterized, the Vdc_max controller should also be activated (p1280 = 3) so that the drive does not shut down with overvoltage when Vdc_min control is exited (due to the time violation) and in the event of fault response OFF3. It is also possible to increase the OFF3 ramp-down time p1135.		
p1296[0...n]	Vdc_min controller response (kinetic buffering) (U/f / Vdc_min response		
PM240	Access level: 3	Calculated: -	Data type: Integer16
	Can be changed: U, T	Scaling: -	Dyn. index: DDS, p0180
	Units group: -	Unit selection: -	Func. diagram: -
	Min	Max	Factory setting
	0	1	0
Description:	Sets the response for the Vdc_min controller (kinetic buffering).		
Value:	0: Buffer Vdc until undervoltage, n<p1297 -> F07405 1: Buff. Vdc until undervolt., n<p1297 -> F07405, t>p1295 -> F07406		
Note:	Re p1296 = 1: The quick stop ramp entered in p1135 must not be equal to zero, to prevent overcurrent shutdown if F07406 is triggered.		
p1297[0...n]	Vdc_min controller speed threshold (U/f) / Vdc_min n_thresh		
PM240	Access level: 3	Calculated: p0340 = 1	Data type: FloatingPoint32
	Can be changed: U, T	Scaling: -	Dyn. index: DDS, p0180
	Units group: 3_1	Unit selection: p0505	Func. diagram: -
	Min	Max	Factory setting
	0.00 [rpm]	210000.00 [rpm]	50.00 [rpm]
Description:	Sets the speed threshold for the Vdc-min controller (kinetic buffering). If this value is exceeded a fault is output; the required response can be parameterized .		
Note:	Exiting the Vdc_min control before reaching motor standstill prevents the regenerative braking current from increasing significantly at low speeds, and after a pulse inhibit, means that the motor coasts down.		
r1298	CO: Vdc controller output (U/f) / Vdc_ctrl output		
PM240	Access level: 3	Calculated: -	Data type: FloatingPoint32
	Can be changed: -	Scaling: p2000	Dyn. index: -
	Units group: 3_1	Unit selection: p0505	Func. diagram: 6320
	Min	Max	Factory setting
	- [rpm]	- [rpm]	- [rpm]
Description:	Displays the actual output of the Vdc controller (DC link voltage controller)		

p1300[0...n]	Open-loop/closed-loop control operating mode / Op/cl-lp ctrl_mode		
	Access level: 2	Calculated: -	Data type: Integer16
	Can be changed: C(1), T	Scaling: -	Dyn. index: DDS, p0180
	Units group: -	Unit selection: -	Func. diagram: 6300, 6301, 8012
	Min	Max	Factory setting
	0	23	0
Description:	Sets the open and closed-loop control mode of a drive.		
Value:	0: U/f control with linear characteristic 1: U/f control with linear characteristic and FCC 2: U/f control with parabolic characteristic 3: U/f control with parameterizable characteristic 4: U/f control with linear characteristic and ECO 5: U/f control for drives requiring a precise freq. (e.g. textiles) 6: U/f control for drives requiring a precise frequency and FCC 7: U/f control for a parabolic characteristic and ECO 19: U/f control with independent voltage setpoint 20: Speed control (encoderless) 21: Speed control (with encoder) 22: Torque control (encoderless) 23: Torque control (with encoder)		
Dependency:	Closed-loop speed or torque control (with encoder) cannot be selected if the encoder type is not entered (p0400). Operation with speed controller is not possible for permanent-magnet synchronous motors. Refer to: p0108, p0300, p0311, p0400, p1501		
Notice:	Active slip compensation is required in the U/f control types with Eco mode (p1300 = 4, 7). The scaling of the slip compensation (p1335) should be set so that the slip is completely compensated (generally 100%). The Eco mode is only effective in steady-state operation and when the ramp-function generator is not bypassed. In the case of analog setpoints, if required the tolerance for ramp-up and ramp-down should be actively increased for the ramp-function generator using p1148 in order to reliably signal a steady-state condition.		
Note:	The closed-loop torque control can only be changed over in operation (p1300 = 20, 21) by selecting the closed-loop speed control (p1501). At the changeover, the setting of p1300 does not change. In this case, the actual state is displayed in r1407, bit 2 and bit 3.		

p1302[0...n]	U/f control configuration / U/f config			
PM240	Access level: 3	Calculated: -	Data type: Unsigned16	
	Can be changed: T	Scaling: -	Dyn. index: DDS, p0180	
	Units group: -	Unit selection: -	Func. diagram: -	
	Min	Max	Factory setting	
	-	-	0000 bin	
Description:	Sets the configuration for the U/f control.			
Bit field:	Bit	Signal name	1 signal	0 signal
	03	Motor holding brake with constant stop frequency	Yes	No
Note:	Re bit 03: When the bit is set, when the drive stops, the starting frequency of the motor holding brake is also not fallen below when the actual slip frequency is less than the starting frequency. Re bit 04: Field orientation for the closed-loop control of the basis application. The field orientation is activated with the automatic calculation if p0096 is set = 1. Re bit 05 (only effective for p1302.4 = 1): The starting current when accelerating (p1311) generally results in an increase in the absolute current and flux. With p1302.5 = 1 the current is only increased in the direction of the load. This setting is recommended for drives with higher power ratings or drives with extremely fast rates of acceleration.			

2 Parameters

2.2 List of parameters

p1302[0...n]	U/f control configuration / U/f config			
PM250	Access level: 3	Calculated: -	Data type: Unsigned16	
PM260	Can be changed: T	Scaling: -	Dyn. index: DDS, p0180	
	Units group: -	Unit selection: -	Func. diagram: -	
	Min	Max	Factory setting	
	-	-	0000 bin	
Description:	Sets the configuration for the U/f control.			
Bit field:	Bit	Signal name	1 signal	0 signal
	03	Motor holding brake with constant stop frequency	Yes	No
				FP
				-
Note:	Re bit 03: When the bit is set, when the drive stops, the starting frequency of the motor holding brake is also not fallen below when the actual slip frequency is less than the starting frequency.			
p1310[0...n]	Starting current (voltage boost) permanent / I_start (Ua) perm			
	Access level: 2	Calculated: p0340 = 1	Data type: FloatingPoint32	
	Can be changed: U, T	Scaling: -	Dyn. index: DDS, p0180	
	Units group: -	Unit selection: -	Func. diagram: 6300, 6301	
	Min	Max	Factory setting	
	0.0 [%]	250.0 [%]	50.0 [%]	
Description:	Defines the voltage boost as a [%] referred to the rated motor current (p0305). The magnitude of the permanent voltage boost is reduced with increasing frequency so that at the rated motor frequency, the rated motor voltage is present. The magnitude of the boost in Volt at a frequency of zero is defined as follows: Voltage boost [V] = 1.732 x p0305 (rated motor current [A]) x r0395 (stator/primary section resistance [ohm]) x p1310 (permanent voltage boost [%]) / 100 % At low output frequencies, there is only a low output voltage in order to maintain the motor flux. However, the output voltage can be too low in order to achieve the following: - magnetize the induction motor. - hold the load. - compensate for losses in the system. This is the reason that the output voltage can be increased using p1310. The voltage boost can be used for both linear as well as square-law U/f characteristics.			
Dependency:	The starting current (voltage boost) is limited by the current limit p0640. The accuracy of the starting current depends on the setting of the stator and feeder cable resistance (p0350, p0352). Refer to: p1300, p1311, p1312, r1315			
Notice:	The starting current (voltage boost) increases the motor temperature (particularly at zero speed).			
Note:	The starting current as a result of the voltage boost is only effective for U/f control (p1300). The boost values are combined with one another if the permanent voltage boost (p1310) is used in conjunction with other boost parameters (acceleration boost (p1311), voltage boost for starting (p1312)). However, these parameters are assigned the following priorities: p1310 > p1311, p1312			
p1311[0...n]	Starting current (voltage boost) when accelerating / I_start accel			
	Access level: 2	Calculated: -	Data type: FloatingPoint32	
	Can be changed: U, T	Scaling: -	Dyn. index: DDS, p0180	
	Units group: -	Unit selection: -	Func. diagram: 6300, 6301	
	Min	Max	Factory setting	
	0.0 [%]	250.0 [%]	0.0 [%]	
Description:	p1311 only results in a voltage boost when accelerating and generates a supplementary torque to accelerate the load. The voltage boost becomes effective for a positive setpoint increase and disappears as soon as the setpoint has been reached. The build-up and withdrawal of the voltage boost are smoothed.			

The magnitude of the boost in Volt at a frequency of zero is defined as follows:

Voltage boost [V] = 1.732 * p0305 (rated motor current [A]) x r0395 (stator/primary section resistance [ohm]) x p1311 (voltage boost when accelerating [%]) / 100 %

Dependency:	The current limit p0640 limits the boost. Refer to: p1300, p1310, p1312, r1315
Notice:	The voltage boost results in a higher motor temperature increase.
Note:	The voltage boost when accelerating can improve the response to small, positive setpoint changes. Assigning priorities for the voltage boosts: refer to p1310

p1312[0...n]	Starting current (voltage boost) when starting / I_start start		
Access level: 2	Calculated: -	Data type: FloatingPoint32	
Can be changed: U, T	Scaling: -	Dyn. index: DDS, p0180	
Units group: -	Unit selection: -	Func. diagram: 6300, 6301	
Min	Max	Factory setting	
0.0 [%]	250.0 [%]	0.0 [%]	

Description: Setting for an additional voltage boost when powering-up, however, only for the first acceleration phase. The voltage boost becomes effective for a positive setpoint increase and disappears as soon as the setpoint has been reached. The build-up and withdrawal of the voltage boost are smoothed.

Dependency:	The current limit p0640 limits the boost. Refer to: p1300, p1310, p1311, r1315
Notice:	The voltage boost results in a higher motor temperature increase.
Note:	The voltage boost when accelerating can improve the response to small, positive setpoint changes. Assigning priorities for the voltage boosts: refer to p1310

r1315	Voltage boost total / U_boost total		
Access level: 3	Calculated: -	Data type: FloatingPoint32	
Can be changed: -	Scaling: p2001	Dyn. index: -	
Units group: -	Unit selection: -	Func. diagram: 6301	
Min	Max	Factory setting	
- [Vrms]	- [Vrms]	- [Vrms]	

Description: Displays the total resulting voltage boost in volt.
r1315 = p1310 + p1311 + p1312

Dependency: Refer to: p1310, p1311, p1312

p1320[0...n]	U/f control programmable characteristic frequency 1 / Uf char f1		
Access level: 3	Calculated: p0340 = 1	Data type: FloatingPoint32	
Can be changed: U, T	Scaling: -	Dyn. index: DDS, p0180	
Units group: -	Unit selection: -	Func. diagram: 6301	
Min	Max	Factory setting	
0.00 [Hz]	3000.00 [Hz]	0.00 [Hz]	


Description: The programmable characteristic for the U/f control is defined using 4 points and 0 Hz/p1310. This parameter specifies the voltage of the first point along the characteristic.

Dependency: Selects the freely programmable characteristic using p1300 = 3.
The following applies to the frequency values: p1320 <= p1322 <= p1324 <= p1326. Otherwise, a standard characteristic is used that contains the rated motor operating point.
Refer to: p1300, p1310, p1311, p1321, p1322, p1323, p1324, p1325, p1326, p1327

Note: Linear interpolation is carried out between the points 0 Hz/p1310, p1320/p1321 ... p1326/p1327.
The voltage boost when accelerating (p1311) is also applied to the freely programmable U/f characteristic.

p1321[0...n]	U/f control programmable characteristic voltage 1 / Uf char U1		
	Access level: 3	Calculated: p0340 = 1	Data type: FloatingPoint32
	Can be changed: U, T	Scaling: -	Dyn. index: DDS, p0180
	Units group: -	Unit selection: -	Func. diagram: 6301
	Min	Max	Factory setting
	0.0 [Vrms]	10000.0 [Vrms]	0.0 [Vrms]
Description:	The programmable characteristic for the U/f control is defined using 4 points and 0 Hz/p1310. This parameter specifies the voltage of the first point along the characteristic.		
Dependency:	Selects the freely programmable characteristic using p1300 = 3. Refer to: p1310, p1311, p1320, p1322, p1323, p1324, p1325, p1326, p1327		
Note:	Linear interpolation is carried out between the points 0 Hz/p1310, p1320/p1321 ... p1326/p1327. The voltage boost when accelerating (p1311) is also applied to the freely programmable U/f characteristic.		
p1322[0...n]	U/f control programmable characteristic frequency 2 / Uf char f2		
	Access level: 3	Calculated: p0340 = 1	Data type: FloatingPoint32
	Can be changed: U, T	Scaling: -	Dyn. index: DDS, p0180
	Units group: -	Unit selection: -	Func. diagram: 6301
	Min	Max	Factory setting
	0.00 [Hz]	3000.00 [Hz]	0.00 [Hz]
Description:	The programmable characteristic for the U/f control is defined using 4 points and 0 Hz/p1310. This parameter specifies the voltage of the second point along the characteristic.		
Dependency:	The following applies to the frequency values: p1320 <= p1322 <= p1324 <= p1326. Otherwise, a standard characteristic is used that contains the rated motor operating point. Refer to: p1310, p1311, p1320, p1321, p1323, p1324, p1325, p1326, p1327		
p1323[0...n]	U/f control programmable characteristic voltage 2 / Uf char U2		
	Access level: 3	Calculated: p0340 = 1	Data type: FloatingPoint32
	Can be changed: U, T	Scaling: -	Dyn. index: DDS, p0180
	Units group: -	Unit selection: -	Func. diagram: 6301
	Min	Max	Factory setting
	0.0 [Vrms]	10000.0 [Vrms]	0.0 [Vrms]
Description:	The programmable characteristic for the U/f control is defined using 4 points and 0 Hz/p1310. This parameter specifies the voltage of the second point along the characteristic.		
Dependency:	Refer to: p1310, p1311, p1320, p1321, p1322, p1324, p1325, p1326, p1327		
p1324[0...n]	U/f control programmable characteristic frequency 3 / Uf char f3		
	Access level: 3	Calculated: p0340 = 1	Data type: FloatingPoint32
	Can be changed: U, T	Scaling: -	Dyn. index: DDS, p0180
	Units group: -	Unit selection: -	Func. diagram: 6301
	Min	Max	Factory setting
	0.00 [Hz]	3000.00 [Hz]	0.00 [Hz]
Description:	The programmable characteristic for the U/f control is defined using 4 points and 0 Hz/p1310. This parameter specifies the voltage of the third point along the characteristic.		
Dependency:	The following applies to the frequency values: p1320 <= p1322 <= p1324 <= p1326. Otherwise, a standard characteristic is used that contains the rated motor operating point. Refer to: p1310, p1311, p1320, p1321, p1322, p1323, p1325, p1326, p1327		

p1325[0...n]	U/f control programmable characteristic voltage 3 / Uf char U3		
	Access level: 3	Calculated: p0340 = 1	Data type: FloatingPoint32
	Can be changed: U, T	Scaling: -	Dyn. index: DDS, p0180
	Units group: -	Unit selection: -	Func. diagram: 6301
	Min	Max	Factory setting
	0.0 [Vrms]	10000.0 [Vrms]	0.0 [Vrms]
Description:	The programmable characteristic for the U/f control is defined using 4 points and 0 Hz/p1310. This parameter specifies the voltage of the third point along the characteristic.		
Dependency:	Refer to: p1310, p1311, p1320, p1321, p1322, p1323, p1324, p1326, p1327		
p1326[0...n]	U/f control programmable characteristic frequency 4 / Uf char f4		
	Access level: 3	Calculated: p0340 = 1,3	Data type: FloatingPoint32
	Can be changed: U, T	Scaling: -	Dyn. index: DDS, p0180
	Units group: -	Unit selection: -	Func. diagram: 6301
	Min	Max	Factory setting
	0.00 [Hz]	10000.00 [Hz]	0.00 [Hz]
Description:	The programmable characteristic for the U/f control is defined using 4 points and 0 Hz/p1310. This parameter specifies the frequency of the fourth point along the characteristic.		
Dependency:	Selects the freely programmable characteristic using p1300 = 3. The following applies for the frequency values: p1320 <= p1322 <= p1324 <= p1326 Otherwise, a standard characteristic is used that contains the rated motor operating point. Refer to: p1310, p1311, p1320, p1321, p1322, p1323, p1324, p1325, p1327		
Note:	Linear interpolation is carried out between the points 0 Hz/p1310, p1320/p1321 ... p1326/p1327. For output frequencies above p1326, the characteristic is extrapolated with the gradient between the characteristic points p1324/p1325 and p1326/p1327. The voltage boost when accelerating (p1311) is also applied to the freely programmable U/f characteristic.		
p1327[0...n]	U/f control programmable characteristic voltage 4 / Uf char U4		
	Access level: 3	Calculated: p0340 = 1,3	Data type: FloatingPoint32
	Can be changed: U, T	Scaling: -	Dyn. index: DDS, p0180
	Units group: -	Unit selection: -	Func. diagram: 6301
	Min	Max	Factory setting
	0.0 [Vrms]	10000.0 [Vrms]	0.0 [Vrms]
Description:	The programmable characteristic for the U/f control is defined using 4 points and 0 Hz/p1310. This parameter specifies the voltage of the fourth point along the characteristic.		
Dependency:	Selects the freely programmable characteristic using p1300 = 3. Refer to: p1310, p1311, p1320, p1321, p1322, p1323, p1324, p1325, p1326		
Note:	Linear interpolation is carried out between the points 0 Hz/p1310, p1320/p1321 ... p1326/p1327. The voltage boost when accelerating (p1311) is also applied to the freely programmable U/f characteristic.		
p1330[0...n]	CI: U/f control independent voltage setpoint / Uf U_set independ.		
	Access level: 3	Calculated: -	Data type: U32 / FloatingPoint32
	Can be changed: T	Scaling: p2001	Dyn. index: CDS, p0170
	Units group: -	Unit selection: -	Func. diagram: 6301
	Min	Max	Factory setting
	-	-	0
Description:	Sets the signal source for the voltage setpoint for U/f control with an independent voltage setpoint (p1300 = 19).		
Dependency:	Selects the U/f control with independent voltage setpoint via p1300 = 19. Refer to: p1300		

p1331[0...n]	Voltage limiting / U_lim		
	Access level: 3	Calculated: -	Data type: FloatingPoint32
	Can be changed: U, T	Scaling: -	Dyn. index: DDS, p0180
	Units group: 5_1	Unit selection: p0505	Func. diagram: 6300
	Min 50.00 [Vrms]	Max 2000.00 [Vrms]	Factory setting 1000.00 [Vrms]
Description:	Limiting the voltage setpoint. This means that the output voltage can be reduced with respect to the calculated maximum voltage r0071 and the start of field weakening.		
Note:	The output voltage is only limited if, as a result of p1331, the maximum output voltage (r0071) is fallen below.		
p1333[0...n]	U/f control FCC starting frequency / U/f FCC f_start		
	Access level: 3	Calculated: p0340 = 1	Data type: FloatingPoint32
	Can be changed: U, T	Scaling: -	Dyn. index: DDS, p0180
	Units group: -	Unit selection: -	Func. diagram: 6301
	Min 0.00 [Hz]	Max 3000.00 [Hz]	Factory setting 0.00 [Hz]
Description:	Sets the starting frequency at which FCC (Flux Current Control) is activated.		
Dependency:	The correct operating mode must be set (p1300 = 1, 6).		
Warning:	An excessively low value can result in instability.		
			
Note:	For p1333 = 0 Hz, the FCC starting frequency is automatically set to 6 % of the rated motor frequency.		
p1334[0...n]	U/f control slip compensation starting frequency / Slip comp start		
	Access level: 3	Calculated: p0340 = 1	Data type: FloatingPoint32
	Can be changed: U, T	Scaling: -	Dyn. index: DDS, p0180
	Units group: -	Unit selection: -	Func. diagram: 6310
	Min 0.00 [Hz]	Max 3000.00 [Hz]	Factory setting 0.00 [Hz]
Description:	Sets the starting frequency of the slip compensation.		
Note:	For p1334 = 0, the starting frequency of the slip compensation is automatically set to 6 % of the rated motor frequency.		
p1335[0...n]	Slip compensation scaling / Slip comp scal		
	Access level: 3	Calculated: -	Data type: FloatingPoint32
	Can be changed: U, T	Scaling: -	Dyn. index: DDS, p0180
	Units group: -	Unit selection: -	Func. diagram: 6300, 6310
	Min 0.0 [%]	Max 600.0 [%]	Factory setting 0.0 [%]
Description:	Sets the setpoint for slip compensation in [%] referred to r0330 (motor rated slip). p1335 = 0.0 %: Slip compensation de-activated. p1335 = 100.0 %: The slip is completely compensated.		
Dependency:	Prerequisite for a precise slip compensation for p1335 = 100 % are the precise motor parameters (p0350 ... p0360). If the parameters are not precisely known, a precise compensation can be achieved by varying p1335. For U/f control types with Eco optimization (4 and 7), the slip compensation must be activated in order to guarantee correct operation.		
Note:	The purpose of slip compensation is to maintain a constant motor speed regardless of the applied load. The fact that the motor speed decreases with increasing load is a typical characteristic of induction motors. For synchronous motors, this effect does not occur and the parameter has no effect in this case. For the open-loop control modes p1300 = 5 and 6 (textile sector), the slip compensation is internally disabled in order to be able to precisely set the output frequency.		

If p1335 is changed during commissioning (p0010 > 0), then it is possible that the old value will no longer be able to be set. The reason for this is that the dynamic limits of p1335 have been changed by a parameter that was set when the drive was commissioned (e.g. p0300).

p1336[0...n]	Slip compensation limit value / Slip comp lim val		
	Access level: 3	Calculated: -	Data type: FloatingPoint32
	Can be changed: U, T	Scaling: -	Dyn. index: DDS, p0180
	Units group: -	Unit selection: -	Func. diagram: 6310
	Min	Max	Factory setting
	0.00 [%]	600.00 [%]	250.00 [%]
Description:	Sets the limit value for slip compensation in [%] referred to r0330 (motor rated slip).		
r1337	CO: Actual slip compensation / Slip comp act val		
	Access level: 3	Calculated: -	Data type: FloatingPoint32
	Can be changed: -	Scaling: PERCENT	Dyn. index: -
	Units group: -	Unit selection: -	Func. diagram: 6310
	Min	Max	Factory setting
	- [%]	- [%]	- [%]
Description:	Displays the actual compensated slip [%] referred to r0330 (rated motor slip).		
Dependency:	p1335 > 0 %: Slip compensation active. Refer to: p1335		
p1338[0...n]	U/f mode resonance damping gain / Uf Res_damp gain		
	Access level: 3	Calculated: p0340 = 1,3,4	Data type: FloatingPoint32
	Can be changed: U, T	Scaling: -	Dyn. index: DDS, p0180
	Units group: -	Unit selection: -	Func. diagram: 6300, 6310
	Min	Max	Factory setting
	0.00	100.00	0.00
Description:	Sets the gain for resonance damping for U/f control.		
Dependency:	Refer to: p1300, p1339, p1349		
Note:	The resonance damping function dampens active current oscillations that frequency occur under no-load conditions. The resonance damping is active in a range from approximately 6 % of the rated motor frequency (p0310). The shutoff frequency is determined by p1349. For the open-loop control modes p1300 = 5 and 6 (textile sectors), the resonance damping is internally disabled in order that the output frequency can be precisely set.		
p1339[0...n]	U/f mode resonance damping filter time constant / Uf Res_damp T		
	Access level: 4	Calculated: p0340 = 1,3,4	Data type: FloatingPoint32
	Can be changed: U, T	Scaling: -	Dyn. index: DDS, p0180
	Units group: -	Unit selection: -	Func. diagram: 6310
	Min	Max	Factory setting
	1.00 [ms]	1000.00 [ms]	20.00 [ms]
Description:	Sets the filter time constant for resonance damping for U/f control.		
Dependency:	Refer to: p1300, p1338, p1349		
p1340[0...n]	I_max frequency controller proportional gain / I_max_ctrl Kp		
	Access level: 3	Calculated: p0340 = 1,3,4	Data type: FloatingPoint32
	Can be changed: U, T	Scaling: -	Dyn. index: DDS, p0180
	Units group: -	Unit selection: -	Func. diagram: 6300
	Min	Max	Factory setting
	0.000	0.500	0.000
Description:	Sets the proportional gain of the I_max frequency controller. The I_max controller reduces the drive converter output current if the maximum current (r0067) is exceeded.		

2 Parameters

2.2 List of parameters

In the U/f operating modes (p1300) for the I_{max} control, one controller is used that acts on the output frequency and one controller that acts on the output voltage. The frequency controller reduces the current by decreasing the converter output frequency. The frequency is reduced down to a minimum value (equaling twice rated slip). If the overcurrent condition cannot be successfully resolved using this measure, then the drive converter output voltage is reduced using the I_{max} voltage controller. Once the overcurrent condition has been resolved, the drive is accelerated along the ramp set in p1120 (ramp-up time).

Dependency: In the U/f modes (p1300) for textile applications and for external voltage setpoints, only the I_{max} voltage controller is used.

Notice: When de-activating the I_{max} controller, the following must be carefully observed:

When the maximum current (r0067) is exceeded, the output current is no longer reduced. The drive is switched off when the overcurrent limits are exceeded.

Note: The I_{max} limiting controller becomes ineffective if the ramp-function generator is de-activated with p1122 = 1. p1341 = 0: I_{max} frequency controller de-activated and I_{max} voltage controller activated over the complete speed range.

p1341[0...n] I_{max} frequency controller integral time / I_{max_ctrl} Tn

Access level: 3	Calculated: p0340 = 1,3,4	Data type: FloatingPoint32
Can be changed: U, T	Scaling: -	Dyn. index: DDS, p0180
Units group: -	Unit selection: -	Func. diagram: 6300
Min	Max	Factory setting
0.000 [s]	50.000 [s]	0.300 [s]

Description: Sets the integral time for the I_{max} frequency controller.

Dependency: Refer to: p1340

Note: When p1341 = 0, the current limiting controller influencing the frequency is de-activated and only the current limiting controller influencing the output voltage remains active (p1345, p1346).

In the case of power units with regenerative feedback (PM250, PM260), current limitation control for a regenerative load is always implemented by influencing the frequency. This current limiting function is de-activated with p1340 = p1341 = 0.

r1343 CO: I_{max} controller frequency output / I_{max_ctrl} f_{outp}

Access level: 3	Calculated: -	Data type: FloatingPoint32
Can be changed: -	Scaling: p2000	Dyn. index: -
Units group: 3_1	Unit selection: p0505	Func. diagram: 6300
Min	Max	Factory setting
- [rpm]	- [rpm]	- [rpm]

Description: Displays the effective frequency limit.

Dependency: Refer to: p1340

r1344 I_{max} controller voltage output / I_{max_ctrl} U_{outp}

Access level: 3	Calculated: -	Data type: FloatingPoint32
Can be changed: -	Scaling: p2001	Dyn. index: -
Units group: 5_1	Unit selection: p0505	Func. diagram: 6300
Min	Max	Factory setting
- [Vrms]	- [Vrms]	- [Vrms]

Description: Displays the amount by which the converter output voltage is reduced.

Dependency: Refer to: p1340

p1345[0...n] I_{max} voltage controller proportional gain / I_{max_U_ctrl} Kp

Access level: 3	Calculated: p0340 = 1,3,4	Data type: FloatingPoint32
Can be changed: U, T	Scaling: -	Dyn. index: DDS, p0180
Units group: -	Unit selection: -	Func. diagram: 6300, 7017
Min	Max	Factory setting
0.000	100000.000	0.000

Description: Sets the proportional gain for the I_{max} voltage controller.

Dependency: Refer to: p1340

Note: The controller settings are also used in the current controller of the DC braking (refer to p1232).

p1346[0...n]	I_max voltage controller integral time / I_max_U_ctrl Tn		
Access level: 3	Calculated: p0340 = 1,3,4	Data type: FloatingPoint32	
Can be changed: U, T	Scaling: -	Dyn. index: DDS, p0180	
Units group: -	Unit selection: -	Func. diagram: 6300, 7017	
Min	Max	Factory setting	
0.000 [s]	50.000 [s]	0.030 [s]	

Description: Sets the integral time for the I_max voltage controller.

Dependency: Refer to: p1340

Note: The controller settings are also used in the current controller of the DC braking (refer to p1232).
For p1346 = 0, the following applies:
The integral time of the I_max voltage controller is de-activated.

r1348	CO: U/f control Eco factor actual value / U/f Eco fac act v		
Access level: 4	Calculated: -	Data type: FloatingPoint32	
Can be changed: -	Scaling: PERCENT	Dyn. index: -	
Units group: -	Unit selection: -	Func. diagram: 6300, 6301	
Min	Max	Factory setting	
- [%]	- [%]	- [%]	

Description: Displays the economic factor determined for optimizing motor consumption.

Dependency: Refer to: p1335

Note: The value is only determined for operating modes with Economic (p1300 = 4, 7).

p1349[0...n]	U/f mode resonance damping maximum frequency / Uf res_damp f_max		
Access level: 3	Calculated: p0340 = 1	Data type: FloatingPoint32	
Can be changed: U, T	Scaling: -	Dyn. index: DDS, p0180	
Units group: -	Unit selection: -	Func. diagram: 6310	
Min	Max	Factory setting	
0.00 [Hz]	3000.00 [Hz]	0.00 [Hz]	

Description: Sets the maximum output frequency for resonance damping for U/f control.
Resonance damping is inactive above this output frequency.

Dependency: Refer to: p1338, p1339

Note: For p1349 = 0, the changeover limit is automatically set to 95 % of the rated motor frequency - however, to a max. of 45 Hz.

p1350[0...n]	U/f control soft start / U/f soft start		
Access level: 3	Calculated: -	Data type: Integer16	
Can be changed: U, T	Scaling: -	Dyn. index: DDS, p0180	
Units group: -	Unit selection: -	Func. diagram: 6300	
Min	Max	Factory setting	
0	1	0	

Description: Sets whether the voltage is continuously increased during the magnetizing phase (p1350 = 1, On) or whether it jumps directly to the voltage boost (p1350 = 0, Off).

Value:
0: OFF
1: ON

Note: The settings for this parameter have the following advantages and disadvantages:
0 = off (jump directly to voltage boost)
Advantage: Flux is established quickly -> torque is quickly available
Disadvantage: The motor can move while it is being magnetized
1 = on (voltage is continually established)
Advantage: The motor is unlikely to rotate
Disadvantage: The flux is established slower -> torque is available later

p1351[0...n] CO: Motor holding brake starting frequency / Brake f_start

Access level: 3	Calculated: -	Data type: FloatingPoint32
Can be changed: U, T	Scaling: PERCENT	Dyn. index: DDS, p0180
Units group: -	Unit selection: -	Func. diagram: 6310
Min	Max	Factory setting
-300.00 [%]	300.00 [%]	0.00 [%]

Description: Sets the frequency setting value at the slip compensation output for starting up with motor holding brake.

Dependency: When setting p1351 > 0, then slip compensation is automatically activated (p1335 = 100 %).
Refer to: p1302, p1352

Notice: A BICO interconnection to a parameter that belongs to a drive data set always acts on the effective data set.

Note: Connected with p1352 a value of 100% corresponds to the motor rated slip (r0330).

p1352[0...n] CI: Motor holding brake starting frequency signal source / Brake f_start

Access level: 3	Calculated: -	Data type: U32 / FloatingPoint32
Can be changed: T	Scaling: PERCENT	Dyn. index: CDS, p0170
Units group: -	Unit selection: -	Func. diagram: 6310
Min	Max	Factory setting
-	-	1351[0]

Description: Sets the signal source for the frequency setting value at the slip compensation output for starting up with motor holding brake.

Dependency: Refer to: p1216

Note: A value of 100% corresponds to the motor rated slip (r0330).
The setting of the starting frequency begins after magnetizing (see p0346, r0056.4) and ends once the brake opening time (p1216) has elapsed and the starting frequency (p1334) has been reached.
A setting value of zero means that no setting procedure will take place.

p1400[0...n] Speed control configuration / n_ctrl config

Access level: 3	Calculated: -	Data type: Unsigned32
Can be changed: U, T	Scaling: -	Dyn. index: DDS, p0180
Units group: -	Unit selection: -	Func. diagram: 6490
Min	Max	Factory setting
-	-	0000 0000 0000 0000 1000 0000 0010 0001 bin

Description: Sets the configuration for the closed-loop speed control.

Bit field:

Bit	Signal name	1 signal	0 signal	FP
00	Automatic Kp/Tn adaptation active	Yes	No	6040
01	Sensorless vector control freeze I comp	Yes	No	6040
05	Kp/Tn adaptation active	Yes	No	6040
06	Free Tn adaptation active	Yes	No	6050
14	Torque pre-control	Always active	For n_ctrl enab	6060
15	Sensorless vector control speed pre-control	Yes	No	6030
18	Moment of inertia estimator active	Yes	No	6030
20	Acceleration model	ON	OFF	6031
22	Obtain moment of inertia estimator value for pulse inhibit	Yes	No	6030
23	Acceleration model (with speed encoder)	Yes	No	6030

Note: Re bit 01:
When the bit is set, the I component of the speed controller is kept when changing into the open-loop controlled mode.

Re bit 20:
The acceleration model for the speed setpoint is only active for encoderless vector control if p1496 is not zero.

p1401[0...n]		Flux control configuration / Flux ctrl config		
Access level:	4	Calculated:	-	
Can be changed:	U, T	Scaling:	-	
Units group:	-	Unit selection:	-	
Min	-	Max	-	
			Data type:	Unsigned16
			Dyn. index:	DDS, p0180
			Func. diagram:	6491
			Factory setting	0000 0110 bin
Description:	Sets the configuration for flux setpoint control			
Bit field:	Bit	Signal name	1 signal	0 signal
	00	Flux setpoint soft starting active	Yes	No
	01	Flux setpoint differentiation active	Yes	No
	02	Flux build-up control active	Yes	No
				6722, 6723
	06	Quick magnetizing	Yes	No
	07	Pre-control speed limitation	Yes	No
				6722, 6640
Note:	<p>Re bit 00 (not for permanent-magnet synchronous motors): Initially, the flux is only established with a low rate of rise when magnetizing the induction motor. The flux setpoint p1570 is reached again at the end of the magnetizing time p0346.</p> <p>Re bit 01 (not for permanent-magnet synchronous motors): Initially, the flux is only established with a low rate of rise when magnetizing the induction motor. The flux setpoint p1570 is reached again at the end of the magnetizing time p0346. When quick magnetizing (p1401.6 = 1) is selected, soft starting is internally de-activated and alarm A07416 is displayed.</p> <p>The flux differentiation can be switched out if a significant ripple occurs in the field-generating current setpoint (r0075) when entering the field weakening range. However, this is not suitable for fast acceleration operations because then, the flux decays more slowly and the voltage limiting responds.</p> <p>Re bit 02 (not for permanent-magnet synchronous motors): The flux build-up control operates during the magnetizing phase p0346 of the induction motor. If it is switched out, a constant current setpoint is injected and the flux is built up corresponding to the rotor time constant. When quick magnetizing (p1401.6 = 1) is selected and when flux build-up control is de-energized alarm A07416 is displayed.</p> <p>Re bit 06 (not for induction motors): Magnetizing is performed with maximum current ($0.9 \cdot r0067$). With active identification of the stator resistance (see p0621) quick magnetizing is internally de-activated and alarm A07416 is displayed. During a flying restart of a rotating motor (see p1200) no quick magnetizing takes place.</p> <p>Re bit 07: if the speed of the drive exceeds the effective speed limit of the speed limiting controller, the torque limit is reduced linearly to zero as the deviation becomes greater. This reduces the integral component of the speed controller and, in turn, the overshoot during load shedding (see also F07901 and p2162).</p>			
p1402[0...n]		Closed-loop current control and motor model configuration / I_ctrl config		
Access level:	4	Calculated:	p0340 = 1,3	
Can be changed:	U, T	Scaling:	-	
Units group:	-	Unit selection:	-	
Min	-	Max	-	
			Data type:	Unsigned16
			Dyn. index:	DDS, p0180
			Func. diagram:	-
			Factory setting	0000 bin
Description:	Sets the configuration for the closed-loop control and the motor model.			
Bit field:	Bit	Signal name	1 signal	0 signal
	02	Current controller adaptation active	Yes	No
				-
r1406.4...15		CO/BO: Control word speed controller / STW n_ctrl		
Access level:	3	Calculated:	-	
Can be changed:	-	Scaling:	-	
Units group:	-	Unit selection:	-	
Min	-	Max	-	
			Data type:	Unsigned16
			Dyn. index:	-
			Func. diagram:	2520
			Factory setting	-
Description:	Display and BICO output for the control word of the speed controller.			

2 Parameters

2.2 List of parameters

Bit field:	Bit	Signal name	1 signal	0 signal	FP
	04	Hold speed controller I component	Yes	No	6040
	05	Set speed controller I component	Yes	No	6040
	08	Travel to fixed stop	Yes	No	8012
	11	Droop enable	Yes	No	6030
	12	Torque control active	Yes	No	6060
	15	Set speed adaptation controller I component	Yes	No	-

r1407.0...26	CO/BO: Status word speed controller / ZSW n_ctrl	
Access level: 3	Calculated: -	Data type: Unsigned32
Can be changed: -	Scaling: -	Dyn. index: -
Units group: -	Unit selection: -	Func. diagram: 2522
Min	Max	Factory setting
-	-	-

Description: Display and BICO output for the status word of the speed controller.

Bit field:	Bit	Signal name	1 signal	0 signal	FP
	00	U/f control active	Yes	No	-
	01	Encoderless operation active	Yes	No	-
	02	Torque control active	Yes	No	6030, 6060, 8011
	03	Speed control active	Yes	No	6040
	05	Speed controller I component frozen	Yes	No	6040
	06	Speed controller I component set	Yes	No	6040
	07	Torque limit reached	Yes	No	6060
	08	Upper torque limit active	Yes	No	6060
	09	Lower torque limit active	Yes	No	6060
	10	Droop enabled	Yes	No	6030
	11	Speed setpoint limited	Yes	No	6030
	12	Ramp-function generator set	Yes	No	-
	13	Encoderless operation due to a fault	Yes	No	-
	14	I/f control active	Yes	No	-
	15	Torque limit reached (without pre-control)	Yes	No	6060
	16	Encoderless open-loop controlled operation not active	Yes	No	-
	17	Speed limiting control active	Yes	No	6640
	23	Acceleration model activated	Yes	No	-
	24	Moment of inertia estimator active	Yes	no	-
	25	Load estimate active	Yes	no	-
	26	Moment of inertia estimator stabilized	Yes	No	-

Note: Re bit 16 = 1:
Encoderless open-loop controlled operation not active.
Re bit 16 = 0:
Encoderless open-loop controlled operation active.

r1408.0...14	CO/BO: Status word current controller / ZSW I_ctrl	
Access level: 4	Calculated: -	Data type: Unsigned16
Can be changed: -	Scaling: -	Dyn. index: -
Units group: -	Unit selection: -	Func. diagram: 2530
Min	Max	Factory setting
-	-	-

Description: Display and BICO output for the status word of the current controller.

Bit field:	Bit	Signal name	1 signal	0 signal	FP
	00	Current controller act	Active	Not active	-
	01	Id control I component limiting	Active	Not active	6714
	03	Voltage limiting	Active	Not active	6714
	10	Speed adaptation limiting	Active	Not active	-
	11	Speed adaptation speed deviation	Out tolerance	In tolerance	6719

12	Motor stalled	Yes	No	-
13	Separately excited synchronous motor is excited	Yes	No	-
14	Current model FEM: magnetizing excitation current limited to 0	Yes	No	-

p1416[0...n] Speed setpoint filter 1 time constant / n_set_filt 1 T

Access level: 4	Calculated: -	Data type: FloatingPoint32
Can be changed: U, T	Scaling: -	Dyn. index: DDS, p0180
Units group: -	Unit selection: -	Func. diagram: 6020, 6030
Min	Max	Factory setting
0.00 [ms]	5000.00 [ms]	0.00 [ms]

Description: Sets the time constant for the speed setpoint filter 1 (PT1).

r1438 CO: Speed controller speed setpoint / n_ctrl n_set

Access level: 3	Calculated: -	Data type: FloatingPoint32
Can be changed: -	Scaling: p2000	Dyn. index: -
Units group: 3_1	Unit selection: p0505	Func. diagram: 3001, 6020, 6031
Min	Max	Factory setting
- [rpm]	- [rpm]	- [rpm]

Description: Display and connector output of the speed setpoint after setpoint limiting for the P component of the speed controller. For U/f operation, the value that is displayed is of no relevance.

Dependency: Refer to: r1439

Note: In the standard state (the reference model is de-activated), r1438 = r1439.

r1439 Speed setpoint I component / n_set I_comp

Access level: 4	Calculated: -	Data type: FloatingPoint32
Can be changed: -	Scaling: p2000	Dyn. index: -
Units group: 3_1	Unit selection: p0505	Func. diagram: 5030, 5040, 6031
Min	Max	Factory setting
- [rpm]	- [rpm]	- [rpm]

Description: Displays the speed setpoint for the I component of the speed controller (output of the reference model after the setpoint limiting).

Dependency: Refer to: r1438

Note: In the standard state (the reference model is de-activated), r1438 = r1439.

p1441[0...n] Actual speed smoothing time / n_act T_smooth

Access level: 3	Calculated: p0340 = 1,3,4	Data type: FloatingPoint32
Can be changed: U, T	Scaling: -	Dyn. index: DDS, p0180
Units group: -	Unit selection: -	Func. diagram: 4715
Min	Max	Factory setting
0.00 [ms]	50.00 [ms]	0.00 [ms]

Description: Sets the smoothing time constant (PT1) for the speed actual value.

Dependency: Refer to: r0063

Note: The speed actual value should be smoothed for encoders with a low pulse number or for resolvers. After this parameter has been changed, we recommend that the speed controller is adapted and/or the speed controller settings checked Kp (p1460) and Tn (p1462).

p1442[0...n]	Speed controller speed actual value smoothing time / n_ctr n_act T_smth		
	Access level: 2	Calculated: p0340 = 1	Data type: FloatingPoint32
	Can be changed: U, T	Scaling: -	Dyn. index: DDS, p0180
	Units group: -	Unit selection: -	Func. diagram: 6020, 6040
	Min	Max	Factory setting
	0.00 [ms]	32000.00 [ms]	4.00 [ms]
Description:	Sets the smoothing time for the actual speed value of the speed controller for closed-loop control with encoder.		
Note:	The smoothing must be increased if there is gear backlash. For longer smoothing times, the integral time of the speed controller must also be increased (e.g. using p0340 = 4).		
r1444	Speed controller speed setpoint steady-state (static) / n_ctrl n_set stat		
	Access level: 4	Calculated: -	Data type: FloatingPoint32
	Can be changed: -	Scaling: p2000	Dyn. index: -
	Units group: 3_1	Unit selection: p0505	Func. diagram: 5030
	Min	Max	Factory setting
	- [rpm]	- [rpm]	- [rpm]
Description:	Displays the sum of all speed setpoints that are present. The following sources are available for the displayed setpoint: - setpoint at the ramp-function generator input (r1119). - speed setpoint 1 (p1155). - speed setpoint 2 (p1160). - speed setpoint for the speed pre-control (p1430). - setpoint from DSC (for DSC active). - setpoint via PC (for master control active).		
Dependency:	Refer to: r1119, p1155, p1160		
r1445	CO: Actual speed smoothed / n_act smooth		
	Access level: 4	Calculated: -	Data type: FloatingPoint32
	Can be changed: -	Scaling: p2000	Dyn. index: -
	Units group: 3_1	Unit selection: p0505	Func. diagram: 6040
	Min	Max	Factory setting
	- [rpm]	- [rpm]	- [rpm]
Description:	Display and connector output for the actual smoothed speed actual value of the speed control.		
p1452[0...n]	Speed controller speed actual value smoothing time (sensorless) / n_C n_act T_s SL		
	Access level: 2	Calculated: -	Data type: FloatingPoint32
	Can be changed: U, T	Scaling: -	Dyn. index: DDS, p0180
	Units group: -	Unit selection: -	Func. diagram: 6020, 6040
	Min	Max	Factory setting
	0.00 [ms]	32000.00 [ms]	10.00 [ms]
Description:	Sets the smoothing time for the actual speed of the speed controller for encoderless closed-loop speed control.		
Note:	The smoothing must be increased if there is gear backlash. For longer smoothing times, the integral time of the speed controller must also be increased (e.g. using p0340 = 4).		
r1454	CO: Speed controller system deviation I component / n_ctrl sys dev Tn		
	Access level: 4	Calculated: -	Data type: FloatingPoint32
	Can be changed: -	Scaling: p2000	Dyn. index: -
	Units group: 3_1	Unit selection: p0505	Func. diagram: 6040
	Min	Max	Factory setting
	- [rpm]	- [rpm]	- [rpm]
Description:	Display and connector output for the system deviation of the I component of the speed controller.		

p1455[0...n]	CI: Speed controller P gain adaptation signal / n_ctr adapt_sig Kp		
	Access level: 4	Calculated: -	Data type: U32 / FloatingPoint32
	Can be changed: T	Scaling: PERCENT	Dyn. index: CDS, p0170
	Units group: -	Unit selection: -	Func. diagram: 6050
	Min	Max	Factory setting
	-	-	0
Description:	Sets the source for the adaptation signal to additionally adapt the P gain of the speed controller.		
Dependency:	Refer to: p1456, p1457, p1458, p1459		
p1456[0...n]	Speed controller P gain adaptation lower starting point / n_ctrl AdaptKpLow		
	Access level: 4	Calculated: -	Data type: FloatingPoint32
	Can be changed: U, T	Scaling: -	Dyn. index: DDS, p0180
	Units group: -	Unit selection: -	Func. diagram: 6050
	Min	Max	Factory setting
	0.00 [%]	400.00 [%]	0.00 [%]
Description:	Sets the lower starting point of the adaptation range for the additional adaptation of the P gain of the speed controller. The values are in % and refer to the set source of the adaptation signal.		
Dependency:	Refer to: p1455, p1457, p1458, p1459		
Note:	If the upper transition point p1457 of the speed controller adaptation is set to lower values than the lower transition p1456, then the controller gain below p1457 is adapted with p1459 and above p1456, with p1458.		
p1457[0...n]	Speed controller P gain adaptation upper starting point / n_ctrl AdaptKp up		
	Access level: 4	Calculated: -	Data type: FloatingPoint32
	Can be changed: U, T	Scaling: -	Dyn. index: DDS, p0180
	Units group: -	Unit selection: -	Func. diagram: 6050
	Min	Max	Factory setting
	0.00 [%]	400.00 [%]	0.00 [%]
Description:	Sets the upper starting point of the adaptation range for the additional adaptation of the P gain of the speed controller. The values are in % and refer to the set source of the adaptation signal.		
Dependency:	Refer to: p1455, p1456, p1458, p1459		
Note:	If the upper transition point p1457 of the speed controller adaptation is set to lower values than the lower transition p1456, then the controller gain below p1457 is adapted with p1459 and above p1456, with p1458.		
p1458[0...n]	Adaptation factor lower / Adapt_factor lower		
	Access level: 4	Calculated: -	Data type: FloatingPoint32
	Can be changed: U, T	Scaling: -	Dyn. index: DDS, p0180
	Units group: -	Unit selection: -	Func. diagram: 6050
	Min	Max	Factory setting
	0.0 [%]	200000.0 [%]	100.0 [%]
Description:	Sets the adaptation factor before the adaptation range (0 % ... p1456) to additionally adapt the P gain of the speed/velocity controller.		
Dependency:	Refer to: p1455, p1456, p1457, p1459		
Note:	If the upper transition point p1457 of the speed controller adaptation is set to lower values than the lower transition p1456, then the controller gain below p1457 is adapted with p1459 and above p1456, with p1458.		

p1459[0...n]	Adaptation factor upper / Adapt_factor upper		
	Access level: 4	Calculated: -	Data type: FloatingPoint32
	Can be changed: U, T	Scaling: -	Dyn. index: DDS, p0180
	Units group: -	Unit selection: -	Func. diagram: 6050
	Min	Max	Factory setting
	0.0 [%]	200000.0 [%]	100.0 [%]
Description:	Sets the adaptation factor after the adaptation range (> p1457) to additionally adapt the P gain of the speed/velocity controller.		
Dependency:	Refer to: p1455, p1456, p1457, p1458		
Note:	If the upper transition point p1457 of the speed controller adaptation is set to lower values than the lower transition p1456, then the controller gain below p1457 is adapted with p1459 and above p1456, with p1458.		
p1460[0...n]	Speed controller P gain adaptation speed lower / n_ctrl Kp n lower		
	Access level: 2	Calculated: p0340 = 1,3,4	Data type: FloatingPoint32
	Can be changed: U, T	Scaling: -	Dyn. index: DDS, p0180
	Units group: -	Unit selection: -	Func. diagram: 6020, 6040
	Min	Max	Factory setting
	0.000	999999.000	0.300
Description:	Sets the P gain of the speed controller before the adaptation speed range (0 ... p1464). This value corresponds to the basic setting of the P gain of the speed controller without adaptation (p1461 = 100 %).		
Dependency:	Refer to: p1461, p1464, p1465		
p1461[0...n]	Speed controller Kp adaptation speed upper scaling / n_ctr Kp n up scal		
	Access level: 3	Calculated: p0340 = 1,3,4	Data type: FloatingPoint32
	Can be changed: U, T	Scaling: -	Dyn. index: DDS, p0180
	Units group: -	Unit selection: -	Func. diagram: 6050
	Min	Max	Factory setting
	0.0 [%]	200000.0 [%]	100.0 [%]
Description:	Sets the P gain of the speed controller for the upper adaptation speed range (> p1465). The entry is made referred to the P gain for the lower adaptation speed range of the speed controller (% referred to p1470).		
Dependency:	Refer to: p1460, p1464, p1465		
Note:	If the upper transition point p1465 of the speed controller adaptation is set to lower values than the lower transition p1464, then the controller gain below p1465 is adapted with p1461. This means that an adaptation can be implemented for low speeds without having to change the controller parameters.		
p1462[0...n]	Speed controller integral time adaptation speed lower / n_ctrl Tn n lower		
	Access level: 2	Calculated: p0340 = 1,3,4	Data type: FloatingPoint32
	Can be changed: U, T	Scaling: -	Dyn. index: DDS, p0180
	Units group: -	Unit selection: -	Func. diagram: 6020, 6040
	Min	Max	Factory setting
	0.00 [ms]	100000.00 [ms]	20.00 [ms]
Description:	Sets the integration time of the speed controller before the adaptation speed range (0 ... p1464). This value corresponds to the basic setting of the integral time of the speed controller without adaptation (p1461 = 100 %).		
Dependency:	Refer to: p1463, p1464, p1465		
Note:	The integral component is stopped if the complete controller output or the sum of controller output and torque pre-control reach the torque limit.		

p1463[0...n]	Speed controller Tn adaptation speed upper scaling / n_ctr Tn n up scal		
	Access level: 3	Calculated: p0340 = 1,3,4	Data type: FloatingPoint32
	Can be changed: U, T	Scaling: -	Dyn. index: DDS, p0180
	Units group: -	Unit selection: -	Func. diagram: 6050
	Min	Max	Factory setting
	0.0 [%]	200000.0 [%]	100.0 [%]
Description:	Sets the integral time of the speed controller after the adaptation speed range (> p1465). The entry is made referred to the integral time for the lower adaptation speed range of the speed controller (% referred to p1472).		
Dependency:	Refer to: p1462, p1464, p1465		
Note:	If the upper transition point p1465 of the speed controller adaptation is set to lower values than the lower transition point p1464, then the controller integral time below p1465 is adapted with p1463. This means that an adaptation can be implemented for low speeds without having to change the controller parameters.		
p1464[0...n]	Speed controller adaptation speed lower / n_ctrl n lower		
	Access level: 3	Calculated: p0340 = 1,3,4	Data type: FloatingPoint32
	Can be changed: U, T	Scaling: -	Dyn. index: DDS, p0180
	Units group: 3_1	Unit selection: p0505	Func. diagram: 6050
	Min	Max	Factory setting
	0.00 [rpm]	210000.00 [rpm]	0.00 [rpm]
Description:	Sets the lower adaptation speed of the speed controller. No adaptation is effective below this speed.		
Dependency:	Refer to: p1460, p1461, p1462, p1463, p1465		
Note:	If the upper transition point p1465 of the speed controller adaptation is set to lower values than the lower transition point p1464, then the controller below p1465 is adapted with p1461 or p1463. This means that an adaptation can be implemented for low speeds without having to change the controller parameters.		
p1465[0...n]	Speed controller adaptation speed upper / n_ctrl n upper		
	Access level: 3	Calculated: p0340 = 1,3,4	Data type: FloatingPoint32
	Can be changed: U, T	Scaling: -	Dyn. index: DDS, p0180
	Units group: 3_1	Unit selection: p0505	Func. diagram: 6050
	Min	Max	Factory setting
	0.00 [rpm]	210000.00 [rpm]	210000.00 [rpm]
Description:	Sets the upper adaptation speed of the speed controller. No adaptation is effective above this speed. For the proportional gain, p1470 x p1461 is effective. For the integral time, p1472 x p1463 is effective.		
Dependency:	Refer to: p1460, p1461, p1462, p1463, p1464		
Note:	If the upper transition point p1465 of the speed controller adaptation is set to lower values than the lower transition point p1464, then the controller below p1465 is adapted with p1461 or p1463. This means that an adaptation can be implemented for low speeds without having to change the controller parameters.		
p1466[0...n]	CI: Speed controller P-gain scaling / n_ctrl Kp scal		
	Access level: 4	Calculated: -	Data type: U32 / FloatingPoint32
	Can be changed: T	Scaling: PERCENT	Dyn. index: CDS, p0170
	Units group: -	Unit selection: -	Func. diagram: 6050
	Min	Max	Factory setting
	-	-	1
Description:	Sets the signal source for the scaling of the P gain of the speed controller. This also makes the effective P gain (including adaptations) scalable.		

r1468	CO: Speed controller P-gain effective / n_ctr Kp eff	Access level: 4 Can be changed: - Units group: - Min -	Calculated: - Scaling: - Unit selection: - Max -	Data type: FloatingPoint32 Dyn. index: - Func. diagram: 6040 Factory setting -
Description:	Displays the effective P gain of the speed controller.			
Dependency:	The connector output signal r1468 is increased by a factor of 100 in order to improve the resolution.			
r1469	Speed controller integral time effective / n_ctr Tn eff	Access level: 4 Can be changed: - Units group: - Min - [ms]	Calculated: - Scaling: - Unit selection: - Max - [ms]	Data type: FloatingPoint32 Dyn. index: - Func. diagram: 5040, 5042, 6040 Factory setting - [ms]
Description:	Displays the effective integral time of the speed controller.			
p1470[0...n]	Speed controller encoderless operation P-gain / n_ctrl SL Kp	Access level: 2 Can be changed: U, T Units group: - Min 0.000	Calculated: p0340 = 1,3,4 Scaling: - Unit selection: - Max 999999.000	Data type: FloatingPoint32 Dyn. index: DDS, p0180 Func. diagram: 6040, 6050 Factory setting 0.300
Description:	Sets the P gain for encoderless operation for the speed controller.			
Note:	The product p0341 x p0342 is taken into account when automatically calculating the speed controller (p0340 = 1, 3, 4).			
p1472[0...n]	Speed controller encoderless operation integral time / n_ctrl SL Tn	Access level: 2 Can be changed: U, T Units group: - Min 0.0 [ms]	Calculated: p0340 = 1,3,4 Scaling: - Unit selection: - Max 100000.0 [ms]	Data type: FloatingPoint32 Dyn. index: DDS, p0180 Func. diagram: 6040, 6050 Factory setting 20.0 [ms]
Description:	Set the integral time for encoderless operation for the speed controller.			
Note:	The integral component is stopped if the complete controller output or the sum of controller output and torque pre-control reach the torque limit.			
p1475[0...n]	CI: Speed controller torque setting value for motor holding brake / n_ctrl M_sv MHB	Access level: 3 Can be changed: T Units group: - Min -	Calculated: - Scaling: p2003 Unit selection: - Max -	Data type: U32 / FloatingPoint32 Dyn. index: CDS, p0170 Func. diagram: 6040 Factory setting 0
Description:	Sets the signal source for the torque setting value when starting up with motor holding brake.			
Recommend.:	To hold the actual torque when stopping the motor, you are advised to set p1400 bit 1 = 1. As a result, the integral component of the speed controller is frozen when changing to the open-loop controlled operating range.			
Dependency:	The switching in of the torque setting value for the motor holding brake has a higher priority than the setting of the integrator value using p1477 and p1478.			
Note:	The setting of the integral output of the speed controller begins after magnetizing (see p0346, r0056 bit 4) and ends at the end of the brake control opening time p1216. A setting value of zero means that no setting procedure will take place. If p1351 is used as a signal source for the torque setting value, the percentage value is interpreted in relation to the rated torque (p2003).			

p1476[0...n]	BI: Speed controller hold integrator / n_ctrl integ stop		
	Access level: 4	Calculated: -	Data type: U32 / Binary
	Can be changed: T	Scaling: -	Dyn. index: CDS, p0170
	Units group: -	Unit selection: -	Func. diagram: 2520, 6040
	Min	Max	Factory setting
	-	-	0
Description:	Sets the signal source to hold the integrator for the speed controller.		
p1477[0...n]	BI: Speed controller set integrator value / n_ctrl integ set		
	Access level: 3	Calculated: -	Data type: U32 / Binary
	Can be changed: T	Scaling: -	Dyn. index: CDS, p0170
	Units group: -	Unit selection: -	Func. diagram: 2520, 6040
	Min	Max	Factory setting
	-	-	0
Description:	Sets the signal source to set the integrator setting value (p1478).		
Dependency:	Refer to: p1478, p1479		
Notice:	The parameter may be protected as a result of p0922 or p2079 and cannot be changed.		
p1478[0...n]	CI: Speed controller integrator setting value / n_ctr integ_setVal		
	Access level: 3	Calculated: -	Data type: U32 / FloatingPoint32
	Can be changed: T	Scaling: p2003	Dyn. index: CDS, p0170
	Units group: -	Unit selection: -	Func. diagram: 6040
	Min	Max	Factory setting
	-	-	0
Description:	Sets the signal source for the integrator setting value for the velocity controller. The signal to set this integrator setting value is interconnected via p1477.		
Dependency:	The setting value of the speed controller integrator is weighted with the scaling factor of the signal source in p1479. If p1478 is interconnected to the integral output of the speed controller (r1482), then after the magnetizing time (r0346) and if the speed controller is enabled, the integral component of the controller is set to the last value before the pulse inhibit. This value is set if no setting command (p1477) is interconnected or, at the instant that the pulses were inhibited, a setting command is available, which is not de-activated up to the next time that the pulses are inhibited. For sensorless vector control, in addition p1400.1 should be set to 1 so that when the drive is stopped, the integral component of the speed controller is not controlled down to zero. In order that when setting the integrator output, only the static torque is detected, we recommend that the accelerating torque is completely pre-controlled (e.g. p1496). If p1478 is interconnected to another output other than r1482, then after magnetizing and speed controller enable, the integral output is set once if the setting command is not interconnected (p1477 = 0). Refer to: p1477, p1479		
Notice:	The parameter may be protected as a result of p0922 or p2079 and cannot be changed.		
p1479[0...n]	CI: Speed controller integrator setting value scaling / n_ctrl I_val scal		
	Access level: 4	Calculated: -	Data type: U32 / FloatingPoint32
	Can be changed: T	Scaling: PERCENT	Dyn. index: CDS, p0170
	Units group: -	Unit selection: -	Func. diagram: 6040
	Min	Max	Factory setting
	-	-	1
Description:	Sets the signal source for scaling the integrator setting value (p1478) of the speed controller.		
Dependency:	Refer to: p1477, p1478		

r1482	CO: Speed controller I torque output / n_ctrl I-M_outp		
	Access level: 3	Calculated: -	Data type: FloatingPoint32
	Can be changed: -	Scaling: p2003	Dyn. index: -
	Units group: 7_1	Unit selection: p0505	Func. diagram: 5040, 5042, 5210, 6030, 6040
	Min	Max	Factory setting
	- [Nm]	- [Nm]	- [Nm]
Description:	Display and connector output for the torque setpoint at the output of the I speed controller.		

p1486[0...n]	CI: Droop compensation torque / Droop M_comp		
	Access level: 3	Calculated: -	Data type: U32 / FloatingPoint32
	Can be changed: T	Scaling: p2003	Dyn. index: CDS, p0170
	Units group: -	Unit selection: -	Func. diagram: 6030
	Min	Max	Factory setting
	-	-	0
Description:	Sets the signal source for the compensation torque to be output within the droop calculation. This parameter should be interconnected with the torque setpoint of the drive (corresponding to the selection p1488), with which load equalization should be performed.		

p1487[0...n]	Droop compensation torque scaling / Droop M_comp scal		
	Access level: 3	Calculated: -	Data type: FloatingPoint32
	Can be changed: U, T	Scaling: PERCENT	Dyn. index: DDS, p0180
	Units group: -	Unit selection: -	Func. diagram: 6030
	Min	Max	Factory setting
	-2000.0 [%]	2000.0 [%]	100.0 [%]
Description:	Sets the scaling for the compensation torque within the droop calculation.		

p1488[0...n]	Droop input source / Droop input source		
	Access level: 3	Calculated: -	Data type: Integer16
	Can be changed: U, T	Scaling: -	Dyn. index: DDS, p0180
	Units group: -	Unit selection: -	Func. diagram: 6030
	Min	Max	Factory setting
	0	3	0

Description: Sets the source for droop feedback.
With increasing torque, the speed setpoint is reduced (enabled using p1492), so that for mechanically coupled drives a load equalization (load compensation) is obtained.
A load difference compensation is also possible, if p1486 is interconnected with the torque setpoint of the other drive.

- Value:**
- 0: Droop feedback not connected
 - 1: Droop from torque setpoint
 - 2: Droop from speed controller output
 - 3: Droop from integral output speed controller

Dependency: Refer to: p1486, p1487, p1489, r1490, p1492

Caution: For active acceleration precontrol of the speed controller (refer to p1496), it is not recommended that p1488 is set to 1, as this could result in positive coupling effects. Instead of this, as source of the droop feedback, the output signal of the speed controller should be used, which generally sets the load torque.



p1489[0...n]	Droop feedback scaling / Droop scal		
	Access level: 3	Calculated: -	Data type: FloatingPoint32
	Can be changed: U, T	Scaling: -	Dyn. index: DDS, p0180
	Units group: -	Unit selection: -	Func. diagram: 6030
	Min 0.000	Max 0.500	Factory setting 0.050
Description:	Sets the scaling for the droop feedback		
Dependency:	Refer to: p1486, p1487, p1488, r1490, p1492		
Note:	Example: A value of 0.05 means that for a torque equal to the rated motor torque, the rated motor speed is reduced by 5 %.		
r1490	CO: Droop feedback speed reduction / Droop n_reduction		
	Access level: 3	Calculated: -	Data type: FloatingPoint32
	Can be changed: -	Scaling: p2000	Dyn. index: -
	Units group: 3_1	Unit selection: p0505	Func. diagram: 6030
	Min - [rpm]	Max - [rpm]	Factory setting - [rpm]
Description:	Displays the output signal of the droop calculation. The droop feedback result is subtracted from the speed setpoint when activated (p1492).		
Dependency:	Refer to: p1486, p1487, p1488, p1489, p1492		
p1492[0...n]	BI: Droop feedback enable / Droop enable		
	Access level: 3	Calculated: -	Data type: U32 / Binary
	Can be changed: U, T	Scaling: -	Dyn. index: CDS, p0170
	Units group: -	Unit selection: -	Func. diagram: 2520, 6030
	Min -	Max -	Factory setting 0
Description:	Enables the droop to be applied to the speed/velocity setpoint.		
Dependency:	Refer to: p1486, p1487, p1488, p1489, r1490		
Note:	Even when not enabled, the droop speed is calculated but not subtracted from the setpoint speed. This makes it possible to subtract the result of this calculation from the speed of another drive.		
r1493	CO: Moment of inertia total, scaled / M_mom inert tot_sc		
	Access level: 3	Calculated: -	Data type: FloatingPoint32
	Can be changed: -	Scaling: -	Dyn. index: -
	Units group: 25_1	Unit selection: p0100	Func. diagram: 6031
	Min - [kgm ²]	Max - [kgm ²]	Factory setting - [kgm ²]
Description:	Display and connector output for the parameterized total moment of inertia. The value is calculated with ((p0341 * p0342) * p1496).		
p1496[0...n]	Acceleration pre-control scaling / a_prectrl scal		
	Access level: 3	Calculated: -	Data type: FloatingPoint32
	Can be changed: U, T	Scaling: -	Dyn. index: DDS, p0180
	Units group: -	Unit selection: -	Func. diagram: 6020, 6031
	Min 0.0 [%]	Max 10000.0 [%]	Factory setting 0.0 [%]
Description:	Sets the scaling for the acceleration pre-control of the speed/velocity controller.		
Dependency:	Refer to: p0341, p0342		

2 Parameters

2.2 List of parameters

Warning:



The acceleration precontrol r1518 is kept at the old value if the ramp-function generator tracking (r1199.5) is active or the ramp-function generator output is set (r1199.3). This is used to avoid torque peaks. Depending on the application, it may therefore be necessary to disable the ramp-function generator tracking (p1145 = 0) or the acceleration precontrol (p1496 = 0).

The acceleration precontrol is set to zero, if the Vdc control is active (r0056.14/15).

Note:

The parameter is set to 100% by the rotating measurement (refer to p1960).

The acceleration pre-control may not be used if the speed setpoint manifests significant ripple (e.g. analog setpoint) and the rounding-off in the speed ramp-function generator is disabled.

We also recommend that the pre-control mode is not used if there is gearbox backlash.

p1498[0...n]

Load moment of inertia / Load M_inertia

Access level: 3	Calculated: -	Data type: FloatingPoint32
Can be changed: U, T	Scaling: -	Dyn. index: DDS, p0180
Units group: 25_1	Unit selection: p0100	Func. diagram: 5042, 5210
Min	Max	Factory setting
0.00000 [kgm ²]	100000.00000 [kgm ²]	0.00000 [kgm ²]

Description:

Sets the load moment of inertia.

Note:

(p0341 * p0342) + p1498 influence the speed/torque pre-control in encoderless operation.

p1499[0...n]

Accelerating for torque control scaling / a for M_ctrl scal

Access level: 3	Calculated: -	Data type: FloatingPoint32
Can be changed: U, T	Scaling: -	Dyn. index: DDS, p0180
Units group: -	Unit selection: -	Func. diagram: 6030
Min	Max	Factory setting
0.0 [%]	400.0 [%]	100.0 [%]

Description:

Sets the scaling for the acceleration integrator at low speeds (only for encoderless torque control).

Dependency:

Refer to: p0341, p0342

p1500[0...n]

Torque setpoint selection / M_set sel

CU250S_V

Access level: 2	Calculated: -	Data type: Integer16
Can be changed: C(1), T	Scaling: -	Dyn. index: CDS, p0170
Units group: -	Unit selection: -	Func. diagram: -
Min	Max	Factory setting
0	77	2

Description:

Sets the source for the torque setpoint.

For single-digit values, the following applies:

The value specifies the main setpoint.

For double-digit values, the following applies:

The left-hand digit specifies the supplementary setpoint, the right-hand digit the main setpoint.

Example:

Value = 26

--> The analog setpoint (2) supplies the supplementary setpoint.

--> The fieldbus (6) supplies the main setpoint.

Value:

0:	No main setpoint
2:	Analog setpoint
6:	Fieldbus
7:	Analog setpoint 2
20:	Analog setpoint + no main setpoint
22:	Analog setpoint + analog setpoint
26:	Analog setpoint + fieldbus
27:	Analog setpoint + analog setpoint 2
60:	Fieldbus + no main setpoint
62:	Fieldbus + analog setpoint
66:	Fieldbus+fieldbus
67:	Fieldbus + analog setpoint 2
70:	Analog setpoint 2 + no main setpoint
72:	Analog setpoint 2 + analog setpoint

76: Analog setpoint 2 + fieldbus
77: Analog setpoint 2 + analog setpoint 2

Dependency: When changing this parameter, the following settings are influenced:
Refer to: p1503, p1511

Notice: When executing a specific macro, the corresponding programmed settings are made and become active.

p1500[0...n]	Torque setpoint selection / M_set sel		
CU250S_V_CAN	Access level: 2	Calculated: -	Data type: Integer16
	Can be changed: C(1), T	Scaling: -	Dyn. index: CDS, p0170
	Units group: -	Unit selection: -	Func. diagram: -
	Min	Max	Factory setting
	0	77	0

Description: Sets the source for the torque setpoint.
For single-digit values, the following applies:
The value specifies the main setpoint.
For double-digit values, the following applies:
The left-hand digit specifies the supplementary setpoint, the right-hand digit the main setpoint.
Example:
Value = 26
--> The analog setpoint (2) supplies the supplementary setpoint.
--> The fieldbus (6) supplies the main setpoint.

Value:

- 0: No main setpoint
- 2: Analog setpoint
- 6: Fieldbus
- 7: Analog setpoint 2
- 20: Analog setpoint + no main setpoint
- 22: Analog setpoint + analog setpoint
- 26: Analog setpoint + fieldbus
- 27: Analog setpoint + analog setpoint 2
- 60: Fieldbus + no main setpoint
- 62: Fieldbus + analog setpoint
- 66: Fieldbus+fieldbus
- 67: Fieldbus + analog setpoint 2
- 70: Analog setpoint 2 + no main setpoint
- 72: Analog setpoint 2 + analog setpoint
- 76: Analog setpoint 2 + fieldbus
- 77: Analog setpoint 2 + analog setpoint 2

Dependency: When changing this parameter, the following settings are influenced:
Refer to: p1503, p1511

Notice: When executing a specific macro, the corresponding programmed settings are made and become active.

p1500[0...n]	Torque setpoint selection / M_set sel		
CU250S_V_DP	Access level: 2	Calculated: -	Data type: Integer16
CU250S_V_PN	Can be changed: C(1), T	Scaling: -	Dyn. index: CDS, p0170
	Units group: -	Unit selection: -	Func. diagram: -
	Min	Max	Factory setting
	0	77	6

Description: Sets the source for the torque setpoint.
For single-digit values, the following applies:
The value specifies the main setpoint.
For double-digit values, the following applies:
The left-hand digit specifies the supplementary setpoint, the right-hand digit the main setpoint.
Example:
Value = 26
--> The analog setpoint (2) supplies the supplementary setpoint.
--> The fieldbus (6) supplies the main setpoint.

2 Parameters

2.2 List of parameters

Value:	0:	No main setpoint
	2:	Analog setpoint
	6:	Fieldbus
	7:	Analog setpoint 2
	20:	Analog setpoint + no main setpoint
	22:	Analog setpoint + analog setpoint
	26:	Analog setpoint + fieldbus
	27:	Analog setpoint + analog setpoint 2
	60:	Fieldbus + no main setpoint
	62:	Fieldbus + analog setpoint
	66:	Fieldbus+fieldbus
	67:	Fieldbus + analog setpoint 2
	70:	Analog setpoint 2 + no main setpoint
	72:	Analog setpoint 2 + analog setpoint
	76:	Analog setpoint 2 + fieldbus
	77:	Analog setpoint 2 + analog setpoint 2

Dependency: When changing this parameter, the following settings are influenced:

Refer to: p1503, p1511

Notice: When executing a specific macro, the corresponding programmed settings are made and become active.

p1501[0...n] **BI: Change over between closed-loop speed/torque control / Changeov n/M_ctrl**

Access level: 3	Calculated: -	Data type: U32 / Binary
Can be changed: U, T	Scaling: -	Dyn. index: CDS, p0170
Units group: -	Unit selection: -	Func. diagram: 2520, 6020
Min	Max	Factory setting
-	-	0

Description: Sets the signal source for toggling between speed and torque control.

0 signal: Closed-loop speed control

1 signal: Closed-loop torque control

Dependency: The input connectors to enter the torque are provided using p1511, p1512 and p1513.

Refer to: p1300

Notice: If the closed-loop torque control is not activated (p1300) and a change is made to closed-loop torque control (p1501), OFF1 (p0840) does not have its own braking response but pulse suppression when standstill is detected (p1226, p1227).

Note: The parameter may be protected as a result of p0922 or p2079 and cannot be changed.

p1502[0...n] **BI: Freeze moment of inertia estimator / J_estim freeze**

Access level: 3	Calculated: -	Data type: U32 / Binary
Can be changed: U, T	Scaling: -	Dyn. index: CDS, p0170
Units group: -	Unit selection: -	Func. diagram: -
Min	Max	Factory setting
-	-	0

Description: Sets the signal source to freeze the estimated moment of inertia.

0 signal:

Moment of inertia estimator active


1 signal:




Determined moment of inertia frozen.

Dependency: Refer to: p1300

Note: Only active when the "moment of inertia estimator" function module is active (r0108.10 = 1) and p1400.18 = 1.
For operation with encoder, in addition, p1402.4 must be set to 1.

p1503[0...n]	CI: Torque setpoint / M_set		
	Access level: 3	Calculated: -	Data type: U32 / FloatingPoint32
	Can be changed: T	Scaling: p2003	Dyn. index: CDS, p0170
	Units group: -	Unit selection: -	Func. diagram: 6020, 6060
	Min	Max	Factory setting
	-	-	0
Description:	Sets the signal source for the torque setpoint for torque control.		
Note:	A change is made to closed-loop torque control if, in p1300, closed-loop torque control was selected or if the selection was made using the changeover source in p1501. it is also possible to change over in operation using p1501.		
r1508	CO: Torque setpoint before supplementary torque / M_set bef. M_suppl		
	Access level: 2	Calculated: -	Data type: FloatingPoint32
	Can be changed: -	Scaling: p2003	Dyn. index: -
	Units group: 7_1	Unit selection: p0505	Func. diagram: 6030, 6060, 6722
	Min	Max	Factory setting
	- [Nm]	- [Nm]	- [Nm]
Description:	Displays the torque setpoint before entering the supplementary torque. For closed-loop speed control, r1508 corresponds to the speed controller output; for closed-loop torque control, r1508 corresponds to the torque setpoint of the signal source assigned in p1503.		
p1511[0...n]	CI: Supplementary torque 1 / M_suppl 1		
	Access level: 3	Calculated: -	Data type: U32 / FloatingPoint32
	Can be changed: T	Scaling: p2003	Dyn. index: CDS, p0170
	Units group: -	Unit selection: -	Func. diagram: 6020, 6060
	Min	Max	Factory setting
	-	-	0
Description:	Sets the signal source for supplementary torque 1.		
p1512[0...n]	CI: Supplementary torque 1 scaling / M_suppl 1 scal		
	Access level: 3	Calculated: -	Data type: U32 / FloatingPoint32
	Can be changed: T	Scaling: PERCENT	Dyn. index: CDS, p0170
	Units group: -	Unit selection: -	Func. diagram: 5060, 6060
	Min	Max	Factory setting
	-	-	0
Description:	Sets the signal source for scaling the supplementary torque 1.		
p1513[0...n]	CI: Supplementary torque 2 / M_suppl 2		
	Access level: 3	Calculated: -	Data type: U32 / FloatingPoint32
	Can be changed: T	Scaling: p2003	Dyn. index: CDS, p0170
	Units group: -	Unit selection: -	Func. diagram: 6020, 6060
	Min	Max	Factory setting
	-	-	0
Description:	Sets the signal source for supplementary torque 2.		
p1514[0...n]	Supplementary torque 2 scaling / M_suppl 2 scal		
	Access level: 3	Calculated: -	Data type: FloatingPoint32
	Can be changed: U, T	Scaling: PERCENT	Dyn. index: DDS, p0180
	Units group: -	Unit selection: -	Func. diagram: 6020, 6060
	Min	Max	Factory setting
	-2000.0 [%]	2000.0 [%]	100.0 [%]
Description:	Sets the scaling for supplementary torque 2.		

r1515	Supplementary torque total / M_suppl total	Access level: 2 Can be changed: - Units group: 7_1 Min - [Nm]	Calculated: - Scaling: p2003 Unit selection: p0505 Max - [Nm]	Data type: FloatingPoint32 Dyn. index: - Func. diagram: 6020, 6060 Factory setting - [Nm]
Description:	Displays the total supplementary torque. The displayed value is the total of supplementary torque values 1 and 2 (p1511, p1512, p1513, p1514).			
r1516	CO: Supplementary torque and acceleration torque / M_suppl + M_accel	Access level: 2 Can be changed: - Units group: 7_1 Min - [Nm]	Calculated: - Scaling: p2003 Unit selection: p0505 Max - [Nm]	Data type: FloatingPoint32 Dyn. index: - Func. diagram: 6060 Factory setting - [Nm]
Description:	Displays the total supplementary torque and the accelerating torque. The displayed value is the total of the smoothed supplementary torque and the accelerating torque (p1516 = p1518[1] + r1515).			
p1517[0...n]	Accelerating torque smoothing time constant / M_accel T_smooth	Access level: 4 Can be changed: U, T Units group: - Min 0.00 [ms]	Calculated: - Scaling: - Unit selection: - Max 100.00 [ms]	Data type: FloatingPoint32 Dyn. index: DDS, p0180 Func. diagram: 6060 Factory setting 4.00 [ms]
Description:	Sets the smoothing time constant of the accelerating torque.			
Note:	The acceleration pre-control is inhibited if the smoothing is set to the maximum value.			
r1518[0...1]	CO: Accelerating torque / M_accel	Access level: 3 Can be changed: - Units group: 7_1 Min - [Nm]	Calculated: - Scaling: p2003 Unit selection: p0505 Max - [Nm]	Data type: FloatingPoint32 Dyn. index: - Func. diagram: 6060 Factory setting - [Nm]
Description:	Displays the accelerating torque for pre-control of the speed controller.			
Index:	[0] = Unsmoothed [1] = Smoothed			
Dependency:	Refer to: p0341, p0342, p1496			
p1520[0...n]	CO: Torque limit upper / M_max upper	Access level: 2 Can be changed: U, T Units group: 7_1 Min -1000000.00 [Nm]	Calculated: p0340 = 1,3,5 Scaling: p2003 Unit selection: p0505 Max 20000000.00 [Nm]	Data type: FloatingPoint32 Dyn. index: DDS, p0180 Func. diagram: 6020, 6630 Factory setting 0.00 [Nm]
Description:	Sets the fixed, upper torque limit.			
Dependency:	Refer to: p1521, p1522, p1523, r1538, r1539			
Danger:	Negative values when setting the upper torque limit (p1520 < 0) can result in the motor accelerating in an uncontrollable fashion.			
				
Notice:	A BICO interconnection to a parameter that belongs to a drive data set always acts on the effective data set.			
Note:	The torque limit is limited to 400% of the rated motor torque. When automatically calculating the motor/closed-loop control parameters (p0340), the torque limit is set to match the current limit (p0640).			

p1521[0...n]	CO: Torque limit lower / M_max lower		
	Access level: 2	Calculated: p0340 = 1,3,5	Data type: FloatingPoint32
	Can be changed: U, T	Scaling: p2003	Dyn. index: DDS, p0180
	Units group: 7_1	Unit selection: p0505	Func. diagram: 6020, 6630
	Min	Max	Factory setting
	-20000000.00 [Nm]	1000000.00 [Nm]	0.00 [Nm]
Description:	Sets the fixed, lower torque limit.		
Dependency:	Refer to: p1520, p1522, p1523		
Danger:	Positive values when setting the lower torque limit (p1521 > 0) can result in the motor accelerating in an uncontrollable fashion.		
			
Notice:	A BICO interconnection to a parameter that belongs to a drive data set always acts on the effective data set.		
Note:	The torque limit is limited to 400% of the rated motor torque. When automatically calculating the motor/closed-loop control parameters (p0340), the torque limit is set to match the current limit (p0640).		
p1522[0...n]	CI: Torque limit upper / M_max upper		
	Access level: 3	Calculated: -	Data type: U32 / FloatingPoint32
	Can be changed: T	Scaling: p2003	Dyn. index: CDS, p0170
	Units group: -	Unit selection: -	Func. diagram: 6630
	Min	Max	Factory setting
	-	-	1520[0]
Description:	Sets the signal source for the upper torque limit.		
Dependency:	Refer to: p1520, p1521, p1523		
Danger:	Negative values resulting from the signal source and scaling can cause the motor to accelerate in an uncontrolled manner.		
			
p1523[0...n]	CI: Torque limit lower / M_max lower		
	Access level: 3	Calculated: -	Data type: U32 / FloatingPoint32
	Can be changed: T	Scaling: p2003	Dyn. index: CDS, p0170
	Units group: -	Unit selection: -	Func. diagram: 6020, 6630
	Min	Max	Factory setting
	-	-	1521[0]
Description:	Sets the signal source for the lower torque limit.		
Dependency:	Refer to: p1520, p1521, p1522		
Danger:	Positive values resulting from the signal source and scaling can cause the motor to accelerate in an uncontrolled manner.		
			
p1524[0...n]	CO: Torque limit upper scaling / M_max upper scal		
	Access level: 3	Calculated: -	Data type: FloatingPoint32
	Can be changed: U, T	Scaling: PERCENT	Dyn. index: DDS, p0180
	Units group: -	Unit selection: -	Func. diagram: 6630
	Min	Max	Factory setting
	-2000.0 [%]	2000.0 [%]	100.0 [%]
Description:	Sets the scaling for the upper torque limit.		
Notice:	A BICO interconnection to a parameter that belongs to a drive data set always acts on the effective data set.		
Note:	This parameter can be freely interconnected. The value has the meaning stated above if it is interconnected from connector input p1528.		

p1525[0...n]	CO: Torque limit lower scaling / M_max lower scal		
	Access level: 3	Calculated: -	Data type: FloatingPoint32
	Can be changed: U, T	Scaling: PERCENT	Dyn. index: DDS, p0180
	Units group: -	Unit selection: -	Func. diagram: 6630
	Min	Max	Factory setting
	-2000.0 [%]	2000.0 [%]	100.0 [%]
Description:	Sets the scaling for the lower torque limit.		
Notice:	A BICO interconnection to a parameter that belongs to a drive data set always acts on the effective data set.		
Note:	This parameter can be freely interconnected. The value has the meaning stated above if it is interconnected from connector input p1528.		

r1526	CO: Torque limit upper without offset / M_max up w/o offs		
	Access level: 3	Calculated: -	Data type: FloatingPoint32
	Can be changed: -	Scaling: p2003	Dyn. index: -
	Units group: 7_1	Unit selection: p0505	Func. diagram: 6060, 6630, 6640
	Min	Max	Factory setting
	- [Nm]	- [Nm]	- [Nm]
Description:	Display and connector output for the upper torque limit of all torque limits without offset.		
Dependency:	Refer to: p1520, p1521, p1522, p1523, p1528, p1529		

r1527	CO: Torque limit lower without offset / M_max low w/o offs		
	Access level: 3	Calculated: -	Data type: FloatingPoint32
	Can be changed: -	Scaling: p2003	Dyn. index: -
	Units group: 7_1	Unit selection: p0505	Func. diagram: 6060, 6630, 6640
	Min	Max	Factory setting
	- [Nm]	- [Nm]	- [Nm]
Description:	Display and connector output for the lower torque limit of all torque limits without offset.		
Dependency:	Refer to: p1520, p1521, p1522, p1523, p1528, p1529		

p1528[0...n]	CI: Torque limit upper scaling / M_max upper scal		
	Access level: 4	Calculated: -	Data type: U32 / FloatingPoint32
	Can be changed: T	Scaling: PERCENT	Dyn. index: CDS, p0170
	Units group: -	Unit selection: -	Func. diagram: 6630
	Min	Max	Factory setting
	-	-	1524[0]
Description:	Sets the signal source for the scaling of the upper torque limit in p1522.		
Danger:	For p1400.4 = 0 (torque limiting, upper/lower) the following applies: Negative values resulting from the signal source and scaling can cause the motor to accelerate in an uncontrolled manner.		
Notice:	The parameter may be protected as a result of p0922 or p2079 and cannot be changed.		

p1528[0...n]	CI: Torque limit upper scaling / M_max upper scal		
CU250S_V (EPOS)	Access level: 4	Calculated: -	Data type: U32 / FloatingPoint32
CU250S_V_CAN (EPOS)	Can be changed: T	Scaling: PERCENT	Dyn. index: CDS, p0170
CU250S_V_DP (EPOS)	Units group: -	Unit selection: -	Func. diagram: 6630
CU250S_V_PN (EPOS)	Min	Max	Factory setting
	-	-	2686[0]
Description:	Sets the signal source for the scaling of the upper torque limit in p1522.		
Danger:	For p1400.4 = 0 (torque limiting, upper/lower) the following applies: Negative values resulting from the signal source and scaling can cause the motor to accelerate in an uncontrolled manner.		

Notice: The parameter may be protected as a result of p0922 or p2079 and cannot be changed.

p1529[0...n]	Cl: Torque limit lower scaling / M_max lower scal		
	Access level: 4	Calculated: -	Data type: U32 / FloatingPoint32
	Can be changed: T	Scaling: PERCENT	Dyn. index: CDS, p0170
	Units group: -	Unit selection: -	Func. diagram: 6630
	Min	Max	Factory setting
	-	-	1525[0]

Description: Sets the signal source for the scaling of the lower torque limit in p1523.

Danger: For p1400.4 = 0 (torque limiting, upper/lower) the following applies:



Positive values resulting from the signal source and scaling can cause the motor to accelerate in an uncontrolled manner.

Notice: The parameter may be protected as a result of p0922 or p2079 and cannot be changed.

p1529[0...n]	Cl: Torque limit lower scaling / M_max lower scal		
CU250S_V (EPOS)	Access level: 4	Calculated: -	Data type: U32 / FloatingPoint32
CU250S_V_CAN (EPOS)	Can be changed: T	Scaling: PERCENT	Dyn. index: CDS, p0170
CU250S_V_DP (EPOS)	Units group: -	Unit selection: -	Func. diagram: 6630
CU250S_V_PN (EPOS)	Min	Max	Factory setting
	-	-	2686[1]

Description: Sets the signal source for the scaling of the lower torque limit in p1523.

Danger: For p1400.4 = 0 (torque limiting, upper/lower) the following applies:



Positive values resulting from the signal source and scaling can cause the motor to accelerate in an uncontrolled manner.

Notice: The parameter may be protected as a result of p0922 or p2079 and cannot be changed.

p1530[0...n]	Power limit motoring / P_max mot		
	Access level: 2	Calculated: p0340 = 1,3,5	Data type: FloatingPoint32
	Can be changed: U, T	Scaling: -	Dyn. index: DDS, p0180
	Units group: 14_5	Unit selection: p0505	Func. diagram: 6640
	Min	Max	Factory setting
	0.00 [kW]	100000.00 [kW]	0.00 [kW]

Description: Sets the power limit when motoring.

Dependency: Refer to: p0500, p1531

Note: The power limit is limited to 300% of the rated motor power.

p1531[0...n]	Power limit regenerative / P_max gen		
	Access level: 2	Calculated: p0340 = 1,3,5	Data type: FloatingPoint32
	Can be changed: U, T	Scaling: -	Dyn. index: DDS, p0180
	Units group: 14_5	Unit selection: p0505	Func. diagram: 6640
	Min	Max	Factory setting
	-100000.00 [kW]	-0.01 [kW]	-0.01 [kW]

Description: Sets the regenerative power limit.

Dependency: Refer to: r0206, p0500, p1530

Note: The power limit is limited to 300% of the rated motor power.

For power units without energy recovery capability, the regenerative power limit is preset to 30 % of the power r0206[0]. For a braking resistor connected to the DC link (p0219 > 0), the power limit when generating is automatically adapted.

For power units with energy recovery, the parameter is limited to the negative value of r0206[2].

r1533	Current limit torque-generating total / Iq_max total		
	Access level: 3	Calculated: -	Data type: FloatingPoint32
	Can be changed: -	Scaling: p2002	Dyn. index: -
	Units group: 6_2	Unit selection: p0505	Func. diagram: 6640
	Min	Max	Factory setting
	- [Arms]	- [Arms]	- [Arms]
Description:	Displays the maximum torque/force generating current as a result if all current limits.		
r1536[0...1]	Current limit maximum torque-generating current / Isq_max		
	Access level: 4	Calculated: -	Data type: FloatingPoint32
	Can be changed: -	Scaling: p2002	Dyn. index: -
	Units group: 6_2	Unit selection: p0505	Func. diagram: 6640, 6710
	Min	Max	Factory setting
	- [Arms]	- [Arms]	- [Arms]
Description:	Displays the maximum limit for the torque-generating current component. Index 0 indicates the signal limited by the Vdc controller.		
Index:	[0] = Limited [1] = Unlimited		
r1537[0...1]	Current limit minimum torque-generating current / Isq_min		
	Access level: 4	Calculated: -	Data type: FloatingPoint32
	Can be changed: -	Scaling: p2002	Dyn. index: -
	Units group: 6_2	Unit selection: p0505	Func. diagram: 6640, 6710
	Min	Max	Factory setting
	- [Arms]	- [Arms]	- [Arms]
Description:	Displays the minimum limit for the torque-generating current component. Index 0 indicates the signal limited by the Vdc controller.		
Index:	[0] = Limited [1] = Unlimited		
r1538	CO: Upper effective torque limit / M_max upper eff		
	Access level: 2	Calculated: -	Data type: FloatingPoint32
	Can be changed: -	Scaling: p2003	Dyn. index: -
	Units group: 7_1	Unit selection: p0505	Func. diagram: 6020, 6640
	Min	Max	Factory setting
	- [Nm]	- [Nm]	- [Nm]
Description:	Display and connector output for the actual effective upper torque limit.		
Note:	The effective upper torque limit is reduced with respect to the selected upper torque limit p1520, if the current limit p0640 is reduced or the rated magnetizing current of the induction motor p0320 is increased. This may be the case for rotating measurements (see p1960). The torque limit p1520 can be re-calculated using p0340 = 1, 3 or 5.		
r1539	CO: Lower effective torque limit / M_max lower eff		
	Access level: 2	Calculated: -	Data type: FloatingPoint32
	Can be changed: -	Scaling: p2003	Dyn. index: -
	Units group: 7_1	Unit selection: p0505	Func. diagram: 6020, 6640
	Min	Max	Factory setting
	- [Nm]	- [Nm]	- [Nm]
Description:	Display and connector output for the actual effective lower torque limit.		
Note:	The effective lower torque limit is reduced with respect to the selected lower torque limit p1521, if the current limit p0640 is reduced or the rated magnetizing current of the induction motor p0320 is increased. This may be the case for rotating measurements (see p1960). The torque limit p1520 can be re-calculated using p0340 = 1, 3 or 5.		

p1545[0...n]	BI: Activates travel to a fixed stop / TfS activation		
	Access level: 3	Calculated: -	Data type: U32 / Binary
	Can be changed: T	Scaling: -	Dyn. index: CDS, p0170
	Units group: -	Unit selection: -	Func. diagram: 2520, 3617, 8012
	Min	Max	Factory setting
	-	-	0
Description:	Sets the signal source to activate/de-activate the "travel to fixed stop" function 1: Travel to fixed stop is active 0: Travel to fixed stop is inactive		
Notice:	The parameter may be protected as a result of p0922 or p2079 and cannot be changed.		
p1545[0...n]	BI: Activates travel to a fixed stop / TfS activation		
CU250S_V (EPOS)	Access level: 3	Calculated: -	Data type: U32 / Binary
CU250S_V_CAN (EPOS)	Can be changed: T	Scaling: -	Dyn. index: CDS, p0170
CU250S_V_DP (EPOS)	Units group: -	Unit selection: -	Func. diagram: 2520, 8012
CU250S_V_PN (EPOS)	Min	Max	Factory setting
	-	-	2683.14
Description:	Sets the signal source to activate/de-activate the "travel to fixed stop" function 1: Travel to fixed stop is active 0: Travel to fixed stop is inactive		
Notice:	The parameter may be protected as a result of p0922 or p2079 and cannot be changed.		
Note:	When traveling to fixed stop, the fault F07900 "motor blocked" is suppressed.		
r1547[0...1]	CO: Torque limit for speed controller output / M_max outp n_ctrl		
	Access level: 3	Calculated: -	Data type: FloatingPoint32
	Can be changed: -	Scaling: p2003	Dyn. index: -
	Units group: 7_1	Unit selection: p0505	Func. diagram: 6060
	Min	Max	Factory setting
	- [Nm]	- [Nm]	- [Nm]
Description:	Displays the torque limit to limit the speed controller output.		
Index:	[0] = Upper limit [1] = Lower limit		
r1548[0...1]	CO: Stall current limit torque-generating maximum / Isq_max stall		
	Access level: 4	Calculated: -	Data type: FloatingPoint32
	Can be changed: -	Scaling: p2002	Dyn. index: -
	Units group: 6_2	Unit selection: p0505	Func. diagram: -
	Min	Max	Factory setting
	- [Arms]	- [Arms]	- [Arms]
Description:	Displays the limit for the torque-generating current component using the stall calculation, the current limit of the power unit as well as the parameterization in p0640.		
Index:	[0] = Upper limit [1] = Lower limit		
p1552[0...n]	CI: Torque limit upper scaling without offset / M_max up w/o offs		
	Access level: 3	Calculated: -	Data type: U32 / FloatingPoint32
	Can be changed: T	Scaling: PERCENT	Dyn. index: CDS, p0170
	Units group: -	Unit selection: -	Func. diagram: 6060
	Min	Max	Factory setting
	-	-	1
Description:	Sets the signal source for the scaling of the upper torque limiting to limit the speed controller output without taking into account the current and power limits.		

p1553[0...n]	Stall limit scaling / Stall limit scal		
	Access level: 4	Calculated: -	Data type: FloatingPoint32
	Can be changed: U, T	Scaling: -	Dyn. index: DDS, p0180
	Units group: -	Unit selection: -	Func. diagram: -
	Min	Max	Factory setting
	80.0 [%]	130.0 [%]	100.0 [%]

Description:

Sets the scaling of the stall limit for the start of field weakening.

Danger:

If the stall current limit is increased, then the q current setpoint can exceed the stall limit; as a consequence, a hysteresis effect can occur when loading and unloading.



p1554[0...n]	CI: Torque limit lower scaling without offset / M_max low w/o offs		
	Access level: 3	Calculated: -	Data type: U32 / FloatingPoint32
	Can be changed: T	Scaling: PERCENT	Dyn. index: CDS, p0170
	Units group: -	Unit selection: -	Func. diagram: 6060
	Min	Max	Factory setting
	-	-	1

Description:

Sets the signal source for the scaling of the lower torque limiting to limit the speed controller output without taking into account the current and power limits.

p1560[0...n]	Moment of inertia estimator accelerating torque threshold value / J_est M thresh		
	Access level: 3	Calculated: -	Data type: FloatingPoint32
	Can be changed: C(3), U, T	Scaling: -	Dyn. index: DDS, p0180
	Units group: -	Unit selection: -	Func. diagram: -
	Min	Max	Factory setting
	0.10 [%]	100.00 [%]	10.00 [%]

Description:

Sets the threshold for the accelerating torque for the moment of inertia estimator.

The moment of inertia estimator is active above this threshold.

The value is referred to the rated torque (r0333).

Dependency:

Refer to: p1400, p1561, p1562

Note:

The moment of inertia estimation is inaccurate at very low accelerating torques/accelerating forces. As a consequence, below this threshold, the estimator does not provide any new values.

p1561[0...n]	Moment of inertia estimator change time moment of inertia / J_est t J		
	Access level: 3	Calculated: p0340 = 1,3,4	Data type: FloatingPoint32
	Can be changed: U, T	Scaling: -	Dyn. index: DDS, p0180
	Units group: -	Unit selection: -	Func. diagram: -
	Min	Max	Factory setting
	10.00 [ms]	5000.00 [ms]	500.00 [ms]

Description:

Sets the change time for the moment of inertia for the moment of inertia estimator.

Lower values mean that faster changes are possible.

For a higher value, this estimated value is smoothed more significantly.

Dependency:

Refer to: p1400, p1560, p1562

p1562[0...n]	Moment of inertia estimator change time load / J_est t load		
	Access level: 3	Calculated: p0340 = 1,3,4	Data type: FloatingPoint32
	Can be changed: U, T	Scaling: -	Dyn. index: DDS, p0180
	Units group: -	Unit selection: -	Func. diagram: -
	Min	Max	Factory setting
	5.00 [ms]	5000.00 [ms]	10.00 [ms]

Description:

Sets the change time for the load torque/load force for the moment of inertia estimator.

Lower values mean that faster changes are possible.

For a higher value, this estimated value is smoothed more significantly.

Dependency: Refer to: p1400, p1560, p1561

p1563[0...n] CO: Mom. of inertia estimator load torque direction of rotation pos. / J_est M pos

Access level: 3	Calculated: -	Data type: FloatingPoint32
Can be changed: U, T	Scaling: p2003	Dyn. index: DDS, p0180
Units group: -	Unit selection: -	Func. diagram: -
Min	Max	Factory setting
-340.28235E36 [Nm]	340.28235E36 [Nm]	0.00 [Nm]

Description: Display and connector output for the monitored load torque in the positive direction of rotation.
The moment of inertia estimator estimates the load torque drawn while the speed is constant.

Dependency: Refer to: p1400, p1560, p1561

p1564[0...n] CO: Mom. of inertia estimator load torque direction of rotation neg. / J_est M neg

Access level: 3	Calculated: -	Data type: FloatingPoint32
Can be changed: U, T	Scaling: p2003	Dyn. index: DDS, p0180
Units group: -	Unit selection: -	Func. diagram: -
Min	Max	Factory setting
-340.28235E36 [Nm]	340.28235E36 [Nm]	0.00 [Nm]

Description: Display and connector output for the monitored load torque in the negative direction of rotation.
The moment of inertia estimator estimates the load torque drawn while the speed is constant.

Dependency: Refer to: p1400, p1560, p1561

p1570[0...n] CO: Flux setpoint / Flex setp

Access level: 3	Calculated: -	Data type: FloatingPoint32
Can be changed: U, T	Scaling: PERCENT	Dyn. index: DDS, p0180
Units group: -	Unit selection: -	Func. diagram: 6722
Min	Max	Factory setting
50.0 [%]	200.0 [%]	100.0 [%]

Description: Sets the flux setpoint referred to rated motor flux.

Notice: A BICO interconnection to a parameter that belongs to a drive data set always acts on the effective data set.

Note: For p1570 > 100%, the flux setpoint increases as a function of the load from 100% (no-load operation) to the setting in p1570 (above rated motor torque), if p1580 > 0% has been set.

p1573[0...n] Flux threshold value magnetizing / Flux thresh magnet

Access level: 3	Calculated: -	Data type: FloatingPoint32
Can be changed: U, T	Scaling: PERCENT	Dyn. index: DDS, p0180
Units group: -	Unit selection: -	Func. diagram: 6722
Min	Max	Factory setting
10.0 [%]	200.0 [%]	100.0 [%]

Description: Sets the flux threshold value for enabling the speed setpoint and the end of magnetizing (r0056.4).

Note: The parameter only has an influence if the flux actual value reaches the threshold value p1573 more quickly during magnetizing than the time set in p0346. This is generally the case when selecting fast magnetization (p1401 bit 6).
The parameter has no influence for flying restart (see p1200) and after DC braking (see p1231).

p1574[0...n] Voltage reserve dynamic / U_reserve dyn

Access level: 3	Calculated: p0340 = 1,3,5	Data type: FloatingPoint32
Can be changed: U, T	Scaling: -	Dyn. index: DDS, p0180
Units group: 5_1	Unit selection: p0505	Func. diagram: 6723, 6724
Min	Max	Factory setting
0.0 [Vrms]	150.0 [Vrms]	10.0 [Vrms]

Description: Sets a dynamic voltage reserve.

Dependency: Refer to: p0500

2 Parameters

2.2 List of parameters

Note: In the field weakening range, it must be expected that the control dynamic performance is somewhat restricted due to the limited possibilities of controlling/adjusting the voltage. This can be improved by increasing the voltage reserve. Increasing the reserve reduces the steady-state maximum output voltage (r0071).

p1580[0...n]	Efficiency optimization / Efficiency opt.		
Access level: 3	Calculated: -	Data type: FloatingPoint32	
Can be changed: U, T	Scaling: -	Dyn. index: DDS, p0180	
Units group: -	Unit selection: -	Func. diagram: 6722	
Min	Max	Factory setting	
0 [%]	100 [%]	0 [%]	
Description:	Sets the efficiency optimization. When optimizing the efficiency, the flux setpoint of the closed-loop control is adapted as a function of the load. For p1580 = 100 %, under no-load operating conditions, the flux setpoint is reduced to 50 % of the rated motor flux.		
Note:	It only makes sense to activate this function if the dynamic response requirements of the speed controller are low. In order to avoid oscillations, if required, the speed controller parameters should be adapted (increase Tn, reduce Kp). Further, the smoothing time of the flux setpoint filter (p1582) should be increased.		

p1582[0...n]	Flux setpoint smoothing time / Flux setp T_smth		
Access level: 3	Calculated: p0340 = 1,3	Data type: FloatingPoint32	
Can be changed: U, T	Scaling: -	Dyn. index: DDS, p0180	
Units group: -	Unit selection: -	Func. diagram: 6722, 6724	
Min	Max	Factory setting	
4 [ms]	5000 [ms]	15 [ms]	
Description:	Sets the smoothing time for the flux setpoint.		

r1583	Flux setpoint smoothed / Flux setp smooth		
Access level: 4	Calculated: -	Data type: FloatingPoint32	
Can be changed: -	Scaling: PERCENT	Dyn. index: -	
Units group: -	Unit selection: -	Func. diagram: 6722, 6723, 6724	
Min	Max	Factory setting	
- [%]	- [%]	- [%]	
Description:	Displays the smoothed flux setpoint. The value is referred to the rated motor flux.		

p1584[0...n]	Field weakening operation flux setpoint smoothing time / Field weak T_smth		
Access level: 4	Calculated: p0340 = 1,3	Data type: FloatingPoint32	
Can be changed: U, T	Scaling: -	Dyn. index: DDS, p0180	
Units group: -	Unit selection: -	Func. diagram: 6722	
Min	Max	Factory setting	
0 [ms]	20000 [ms]	0 [ms]	
Description:	Sets the smoothing time for the flux setpoint in the field-weakening range		
Recommend.:	Smoothing should be especially used if there is no regenerative feedback into the line supply. This means that the DC link voltage can quickly increase in regenerative operation		
Note:	Only the flux setpoint rise is smoothed		

p1586[0...n]	Field weakening characteristic scaling / Field weak scal		
Access level: 4	Calculated: -	Data type: FloatingPoint32	
Can be changed: U, T	Scaling: -	Dyn. index: DDS, p0180	
Units group: -	Unit selection: -	Func. diagram: -	
Min	Max	Factory setting	
80.0 [%]	120.0 [%]	100.0 [%]	
Description:	Sets the scaling of the pre-control characteristic for the start of field weakening. For values above 100 % and for partial load situations, the field weakening starts at higher speeds.		

Note: If the start of field weakening is shifted to lower speeds, then the voltage reserve is increased for partial load situations.
If the start of field weakening is shifted to higher speeds, the voltage reserve is appropriately reduced so that for fast load changes, it can be expected that this will have a negative impact on the dynamic performance.

r1589	Field-weakening current pre-control value / I_FieldWeak prectr	Access level: 4	Calculated: -	Data type: FloatingPoint32
		Can be changed: -	Scaling: p2002	Dyn. index: -
		Units group: 6_2	Unit selection: p0505	Func. diagram: 6724
		Min	Max	Factory setting
		- [Arms]	- [Arms]	- [Arms]
Description:	Displays the pre-control value for the field weakening current.			
p1590[0...n]	Flux controller P gain / Flux controller Kp	Access level: 4	Calculated: p0340 = 1,3,4	Data type: FloatingPoint32
		Can be changed: U, T	Scaling: -	Dyn. index: DDS, p0180
		Units group: -	Unit selection: -	Func. diagram: 6723
		Min	Max	Factory setting
		0.0	999999.0	10.0
Description:	Sets the proportional gain for the flux controller.			
Note:	The value is automatically pre-assigned dependent on the motor when the drive system is first commissioned. When calculating controller parameters (p0340 = 4), this value is re-calculated.			
r1593[0...1]	CO: Field weakening controller / flux controller output / Field/FI_ctrl outp	Access level: 4	Calculated: -	Data type: FloatingPoint32
		Can be changed: -	Scaling: p2002	Dyn. index: -
		Units group: 6_2	Unit selection: p0505	Func. diagram: 6724
		Min	Max	Factory setting
		- [Arms]	- [Arms]	- [Arms]
Description:	Display and connector output for the output of the field weakening controller (synchronous motor).			
Index:	[0] = PI output [1] = I output			
p1594[0...n]	Field-weakening controller P gain / Field_ctrl Kp	Access level: 4	Calculated: -	Data type: FloatingPoint32
		Can be changed: U, T	Scaling: -	Dyn. index: DDS, p0180
		Units group: -	Unit selection: -	Func. diagram: 6724
		Min	Max	Factory setting
		0.00	1000.00	0.00
Description:	Sets the P gain of the field-weakening controller.			
p1596[0...n]	Field weakening controller integral-action time / Field_ctrl Tn	Access level: 3	Calculated: p0340 = 1,3,4	Data type: FloatingPoint32
		Can be changed: U, T	Scaling: -	Dyn. index: DDS, p0180
		Units group: -	Unit selection: -	Func. diagram: 6723, 6724
		Min	Max	Factory setting
		10 [ms]	10000 [ms]	300 [ms]
Description:	Sets the integral-action time of the field-weakening controller.			

r1597	CO: Field weakening controller output / Field_ctrl outp		
	Access level: 4	Calculated: -	Data type: FloatingPoint32
	Can be changed: -	Scaling: PERCENT	Dyn. index: -
	Units group: -	Unit selection: -	Func. diagram: 6723
	Min	Max	Factory setting
	- [%]	- [%]	- [%]
Description:	Displays the output of the field weakening controller. The value is referred to the rated motor flux.		
r1598	CO: Total flux setpoint / Flux setp total		
	Access level: 3	Calculated: -	Data type: FloatingPoint32
	Can be changed: -	Scaling: PERCENT	Dyn. index: -
	Units group: -	Unit selection: -	Func. diagram: 6714, 6723, 6724, 6725, 6726, 8018
	Min	Max	Factory setting
	- [%]	- [%]	- [%]
Description:	Displays the effective flux setpoint. The value is referred to the rated motor flux.		
p1610[0...n]	Torque setpoint static (sensorless) / M_set static		
	Access level: 2	Calculated: -	Data type: FloatingPoint32
	Can be changed: U, T	Scaling: -	Dyn. index: DDS, p0180
	Units group: -	Unit selection: -	Func. diagram: 6700, 6721, 6722, 6726
	Min	Max	Factory setting
	-200.0 [%]	200.0 [%]	50.0 [%]
Description:	Sets the static torque setpoint for sensorless vector control. This parameter is entered as a percentage referred to the rated motor torque (r0333). For sensorless vector control, when the motor model is shut down, an absolute current is impressed. p1610 represents the maximum load that occurs at a constant setpoint speed.		
Notice:	p1610 should always be set to at least 10 % higher than the maximum steady-state load that can occur.		
Note:	For p1610 = 0%, a current setpoint is calculated that corresponds to the no-load case (ASM: rated magnetizing current). For p1610 = 100 %, a current setpoint is calculated that corresponds to the rated motor torque. Negative values are converted into positive setpoints in the case of induction and permanent-magnet synchronous motors.		
p1611[0...n]	Additional acceleration torque (sensorless) / M_suppl_accel		
	Access level: 2	Calculated: p0340 = 1	Data type: FloatingPoint32
	Can be changed: U, T	Scaling: -	Dyn. index: DDS, p0180
	Units group: -	Unit selection: -	Func. diagram: 6700, 6721, 6722, 6726
	Min	Max	Factory setting
	0.0 [%]	200.0 [%]	30.0 [%]
Description:	Enters the dynamic torque setpoint for the low-speed range for sensorless vector control. This parameter is entered as a percentage referred to the rated motor torque (r0333).		
Note:	When accelerating and braking p1611 is added to p1610 and the resulting total torque is converted into an appropriate current setpoint and controlled. For pure accelerating torques, it is always favorable to use the torque pre-control of the speed controller (p1496).		

r1614	EMF maximum / EMF max		
	Access level: 4	Calculated: -	Data type: FloatingPoint32
	Can be changed: -	Scaling: p2001	Dyn. index: -
	Units group: 5_1	Unit selection: p0505	Func. diagram: 6725
	Min	Max	Factory setting
	- [Vrms]	- [Vrms]	- [Vrms]
Description:	Displays the actual maximum possible electromotive force (EMF) of the separately-excited synchronous motor.		
Dependency:	The value is the basis for the flux setpoint. The maximum possible EMF depends on the following factors: - Actual DC link voltage (r0070). - Maximum modulation depth (p1803). - Field-generating and torque-generating current setpoint.		
p1616[0...n]	Current setpoint smoothing time / I_set T_smooth		
	Access level: 3	Calculated: p0340 = 1,3	Data type: FloatingPoint32
	Can be changed: U, T	Scaling: -	Dyn. index: DDS, p0180
	Units group: -	Unit selection: -	Func. diagram: 6721, 6722
	Min	Max	Factory setting
	4 [ms]	10000 [ms]	40 [ms]
Description:	Sets the smoothing time for the current setpoint. The current setpoint is generated from p1610 and p1611.		
Note:	This parameter is only effective in the range where current is injected for sensorless vector control.		
r1623[0...1]	Field-generating current setpoint (steady-state) / Id_set stationary		
	Access level: 4	Calculated: -	Data type: FloatingPoint32
	Can be changed: -	Scaling: p2002	Dyn. index: -
	Units group: 6_2	Unit selection: p0505	Func. diagram: 6723, 6726, 6727
	Min	Max	Factory setting
	- [Arms]	- [Arms]	- [Arms]
Description:	Displays the steady-state field generating current setpoint (Id_set).		
Note:	Re index 1: Displays the stationary field-generating current on the stator side in the case of separately excited synchronous motors without the excitation current monitoring component (r1644).		
r1624	Field-generating current setpoint total / Id_setp total		
	Access level: 4	Calculated: -	Data type: FloatingPoint32
	Can be changed: -	Scaling: p2002	Dyn. index: -
	Units group: 6_2	Unit selection: p0505	Func. diagram: 6640, 6721, 6723, 6727
	Min	Max	Factory setting
	- [Arms]	- [Arms]	- [Arms]
Description:	Displays the limited field-generating current setpoint (Id_set). This value comprises the steady-state field-generating current setpoint r1623 and a dynamic component that is only set when changes are made to the flux setpoint.		
p1654[0...n]	Curr. setpoint torque-gen. smoothing time field weakening range / Isq_s T_smth FW		
	Access level: 4	Calculated: p0340 = 1	Data type: FloatingPoint32
	Can be changed: U, T	Scaling: -	Dyn. index: DDS, p0180
	Units group: -	Unit selection: -	Func. diagram: 6710
	Min	Max	Factory setting
	0.1 [ms]	50.0 [ms]	4.8 [ms]
Description:	Sets the smoothing time constant for the setpoint of the torque-generating current components.		

2 Parameters

2.2 List of parameters

Note: The smoothing time does not become effective until the field-weakening range is reached.

p1702[0...n]	Isd current controller pre-control scaling / Isd_ctr_prectrScal		
Access level: 4	Calculated: -	Data type: FloatingPoint32	
Can be changed: U, T	Scaling: -	Dyn. index: DDS, p0180	
Units group: -	Unit selection: -	Func. diagram: 6714	
Min 0.0 [%]	Max 200.0 [%]	Factory setting 70.0 [%]	
Description:	Sets the scaling of the dynamic current controller pre-control for the flux-generating current component Isd.		
Note:	The parameter is effective for permanent-magnet synchronous motors.		


p1703[0...n]	Isq current controller pre-control scaling / Isq_ctr_prectrScal		
Access level: 4	Calculated: p0340 = 1,3,4	Data type: FloatingPoint32	
Can be changed: U, T	Scaling: -	Dyn. index: DDS, p0180	
Units group: -	Unit selection: -	Func. diagram: 6714	
Min 0.0 [%]	Max 200.0 [%]	Factory setting 60.0 [%]	
Description:	Sets the scaling of the dynamic current controller pre-control for the torque/force-generating current component Isq.		

p1715[0...n]	Current controller P gain / I_ctrl Kp		
Access level: 4	Calculated: p0340 = 1,3,4	Data type: FloatingPoint32	
Can be changed: U, T	Scaling: -	Dyn. index: DDS, p0180	
Units group: -	Unit selection: -	Func. diagram: 6714	
Min 0.000	Max 100000.000	Factory setting 0.000	
Description:	Sets the proportional gain of the current controller. This value is automatically pre-set using p3900 or p0340 when commissioning has been completed.		

p1717[0...n]	Current controller integral-action time / I_ctrl Tn		
Access level: 4	Calculated: p0340 = 1,3,4	Data type: FloatingPoint32	
Can be changed: U, T	Scaling: -	Dyn. index: DDS, p0180	
Units group: -	Unit selection: -	Func. diagram: 5714, 6700, 6714, 7017	
Min 0.00 [ms]	Max 1000.00 [ms]	Factory setting 2.00 [ms]	
Description:	Sets the integral-action time of the current controller.		
Dependency:	Refer to: p1715		

r1718	CO: Isq controller output / Isq_ctrl outp		
Access level: 4	Calculated: -	Data type: FloatingPoint32	
Can be changed: -	Scaling: p2001	Dyn. index: -	
Units group: 5_1	Unit selection: p0505	Func. diagram: 6714	
Min - [Vrms]	Max - [Vrms]	Factory setting - [Vrms]	
Description:	Displays the actual output of the Isq current controller (torque/force generating current, PI controller). The value contains the proportional and integral components of the PI controller.		

r1719	Isq controller integral component / Isq_ctrl I_comp	Access level: 4 Can be changed: - Units group: 5_1 Min - [Vrms]	Calculated: - Scaling: p2001 Unit selection: p0505 Max - [Vrms]	Data type: FloatingPoint32 Dyn. index: - Func. diagram: 6714 Factory setting - [Vrms]
Description:	Displays the integral component of the Isq current controller (torque/force-generating current, PI controller).			
r1723	CO: Isd controller output / Isd_ctrl outp	Access level: 4 Can be changed: - Units group: 5_1 Min - [Vrms]	Calculated: - Scaling: p2001 Unit selection: p0505 Max - [Vrms]	Data type: FloatingPoint32 Dyn. index: - Func. diagram: 6714 Factory setting - [Vrms]
Description:	Displays the actual output of the Isd current controller (flux-generating current, PI controller). The value contains the proportional and integral components of the PI controller.			
r1724	Isd controller integral component / Isd_ctrl I_comp	Access level: 4 Can be changed: - Units group: 5_1 Min - [Vrms]	Calculated: - Scaling: p2001 Unit selection: p0505 Max - [Vrms]	Data type: FloatingPoint32 Dyn. index: - Func. diagram: 6714 Factory setting - [Vrms]
Description:	Displays the integral component of the Isd current controller (flux-generating current, PI controller).			
r1725	Isd controller integral component limit / Isd_ctrl I_limit	Access level: 4 Can be changed: - Units group: 5_1 Min - [Vrms]	Calculated: - Scaling: p2001 Unit selection: p0505 Max - [Vrms]	Data type: FloatingPoint32 Dyn. index: - Func. diagram: 6714 Factory setting - [Vrms]
Description:	Displays the limit value for the integral component of the Isd current controller.			
p1726[0...n]	Quadrature arm decoupling scaling / Transv_decpl scal	Access level: 4 Can be changed: U, T Units group: - Min 0.0 [%]	Calculated: p0340 = 1 Scaling: - Unit selection: - Max 200.0 [%]	Data type: FloatingPoint32 Dyn. index: DDS, p0180 Func. diagram: 6714 Factory setting 75.0 [%]
Description:	Sets the scaling of the quadrature arm decoupling			
Note:	This parameter is ineffective for sensorless vector control. In this case, p1727 is always used. If p1726 is set to 0, then the quadrature de-coupling is de-activated. The integral component of the Isd current controller remains effective in the complete speed control range. For the closed-loop control of synchronous motors, this parameter is used to scale the current controller de-coupling.			
p1727[0...n]	Quadrature arm decoupling at voltage limit scaling / TrnsvDecplVmaxScal	Access level: 4 Can be changed: U, T Units group: - Min 0.0 [%]	Calculated: - Scaling: - Unit selection: - Max 200.0 [%]	Data type: FloatingPoint32 Dyn. index: DDS, p0180 Func. diagram: 6714 Factory setting 50.0 [%]
Description:	Sets the scaling of quadrature arm decoupling when the voltage limit is reached.			

r1728	De-coupling voltage in-line axis / U_dir-axis_decoupl	Access level: 4 Can be changed: - Units group: 5_1 Min - [Vrms]	Calculated: - Scaling: p2001 Unit selection: p0505 Max - [Vrms]	Data type: FloatingPoint32 Dyn. index: - Func. diagram: - Factory setting - [Vrms]
Description:	Displays the actual output of the quadrature channel de-coupling for the d axis.			
r1729	De-coupling voltage quadrature axis / U_quad_decoupl	Access level: 4 Can be changed: - Units group: 5_1 Min - [Vrms]	Calculated: - Scaling: p2001 Unit selection: p0505 Max - [Vrms]	Data type: FloatingPoint32 Dyn. index: - Func. diagram: - Factory setting - [Vrms]
Description:	Displays the actual output of the quadrature channel de-coupling for the q axis.			
p1730[0...n]	Isd controller integral component shutdown threshold / Isd ctrl Tn shutd	Access level: 4 Can be changed: U, T Units group: - Min 30 [%]	Calculated: p0340 = 1,3,4 Scaling: - Unit selection: - Max 150 [%]	Data type: FloatingPoint32 Dyn. index: DDS, p0180 Func. diagram: - Factory setting 30 [%]
Description:	Sets the speed threshold for deactivating the integral component of the Isd controller. The d current controller is only effective as P controller for speeds greater than the threshold value. Instead of the integral component, the quadrature arm decoupling is effective.			
Warning:	For settings above 80%, the d current controller is active up to the field weakening limit. When operated at the voltage limit, this can result in an unstable behavior. In order to avoid this, the dynamic voltage reserve p1574 should be increased.			
				
Note:	The parameter value is referred to the synchronous rated motor speed.			
p1731[0...n]	Isd controller combination current time component / Isd ctr I_combi T1	Access level: 4 Can be changed: U, T Units group: - Min 0.00 [ms]	Calculated: p0340 = 1,3,4 Scaling: - Unit selection: - Max 10000.00 [ms]	Data type: FloatingPoint32 Dyn. index: DDS, p0180 Func. diagram: - Factory setting 0.00 [ms]
Description:	Sets the time constant to calculate the d current DC component difference (combination current) to add to the d current controller actual value.			
Note:	It is not added for p1731 = 0.			
r1732[0...1]	CO: Direct-axis voltage setpoint / Direct U set	Access level: 3 Can be changed: - Units group: 5_1 Min - [Vrms]	Calculated: - Scaling: p2001 Unit selection: p0505 Max - [Vrms]	Data type: FloatingPoint32 Dyn. index: - Func. diagram: 5700, 5714, 6714, 5718 Factory setting - [Vrms]
Description:	Display and connector output for the direct axis voltage setpoint Ud.			
Index:	[0] = Unsmoothed [1] = Smoothed with p0045			

r1733[0...1]	CO: Quadrature-axis voltage setpoint / Quad U set		
	Access level: 3	Calculated: -	Data type: FloatingPoint32
	Can be changed: -	Scaling: p2001	Dyn. index: -
	Units group: 5_1	Unit selection: p0505	Func. diagram: 5700, 5714, 5718, 6714, 6719
	Min	Max	Factory setting
	- [Vrms]	- [Vrms]	- [Vrms]
Description:	Display and connector output for the quadrature axis voltage setpoint Uq.		
Index:	[0] = Unsmoothed [1] = Smoothed with p0045		
p1740[0...n]	Gain resonance damping for encoderless closed-loop control / Gain res_damp		
	Access level: 3	Calculated: p0340 = 1,3,4	Data type: FloatingPoint32
	Can be changed: U, T	Scaling: -	Dyn. index: DDS, p0180
	Units group: -	Unit selection: -	Func. diagram: -
	Min	Max	Factory setting
	0.000	10.000	0.025
Description:	Defines the gain of the controller for resonance damping for operation with sensorless vector control in the range that current is injected.		
p1744[0...n]	Motor model speed threshold stall detection / MotMod n_thr stall		
	Access level: 4	Calculated: p0340 = 1,3	Data type: FloatingPoint32
	Can be changed: U, T	Scaling: -	Dyn. index: DDS, p0180
	Units group: 3_1	Unit selection: p0505	Func. diagram: -
	Min	Max	Factory setting
	0.00 [rpm]	210000.00 [rpm]	100.00 [rpm]
Description:	Sets the speed threshold value to detect a stalled motor. If the adaptation controller output exceeds the parameterized speed difference, then in status word r1408.11 is set = 1.		
Dependency:	If a stalled drive is detected (r1408.11 = 1), fault F07902 is output after the delay time set in p2178. Refer to: p2178		
Note:	Speed monitoring is only effective in operation with a speed encoder (refer to p1300). Stalling is also identified if steps/jumps occur in the speed signal, which exceed the value in p0492.		
p1745[0...n]	Motor model error threshold stall detection / MotMod ThreshStall		
	Access level: 3	Calculated: p0340 = 1,3	Data type: FloatingPoint32
	Can be changed: U, T	Scaling: -	Dyn. index: DDS, p0180
	Units group: -	Unit selection: -	Func. diagram: -
	Min	Max	Factory setting
	0.0 [%]	1000.0 [%]	5.0 [%]
Description:	Sets the fault threshold in order to detect a motor that has stalled. If the error signal (r1746) exceeds the parameterized error threshold, then status signal r1408.12 is set to 1.		
Dependency:	If a stalled drive is detected (r1408.12 = 1), fault F07902 is output after the delay time set in p2178. Refer to: p2178		
Note:	Monitoring is only effective in the low-speed range (below $p1755 * (100\% - p1756)$).		

r1746	Motor model error signal stall detection / MotMod sig stall		
	Access level: 3	Calculated: -	Data type: FloatingPoint32
	Can be changed: -	Scaling: -	Dyn. index: -
	Units group: -	Unit selection: -	Func. diagram: -
	Min	Max	Factory setting
	- [%]	- [%]	- [%]
Description:	Signal to initiate stall detection		
Note:	The signal is not calculated while magnetizing and only in the low speed range (below p1755 * (100 % - p1756)).		

p1749[0...n]	Motor model increase changeover speed encoderless operation / Incr n_chng no enc		
	Access level: 4	Calculated: p0340 = 1,3	Data type: FloatingPoint32
	Can be changed: U, T	Scaling: -	Dyn. index: DDS, p0180
	Units group: -	Unit selection: -	Func. diagram: -
	Min	Max	Factory setting
	0.0 [%]	99.0 [%]	50.0 [%]
Description:	Minimum operating frequency for rugged operation. If the minimum value is greater than the lower changeover limit parameterized with p1755 * (1 - 2 * p1756), then the difference is displayed using p1749 * p1755. The parameter value cannot be changed.		
Dependency:	Refer to: p1752, p1755, p1756		


p1750[0...n]	Motor model configuration / MotMod config		
	Access level: 3	Calculated: p0340 = 1,3,5	Data type: Unsigned8
	Can be changed: U, T	Scaling: -	Dyn. index: DDS, p0180
	Units group: -	Unit selection: -	Func. diagram: -
	Min	Max	Factory setting
	-	-	0000 0000 bin

Description: Sets the configuration for the motor model.
 Bit 0 = 1: Forces open-loop speed-controlled starting (ASM).
 Bit 1 = 1: Forces the system to pass through frequency zero, open-loop-controlled (ASM).
 Bit 2 = 1: Drive remains in full closed-loop control mode, even at zero frequency (ASM).
 Bit 3 = 1: Motor model evaluates the saturation characteristic (ASM).
 Bit 6 = 1: If the motor is blocked, sensorless vector control remains speed-controlled (ASM).
 Bit 7 = 1: Use rugged switchover limits to switchover the model (open-loop/closed-loop controlled) for regenerative operation (ASM).

Bit field:	Bit	Signal name	1 signal	0 signal	FP
	00	Controlled start	Yes	No	-
	01	Controlled through 0 Hz	Yes	No	-
	02	Closed-loop ctrl oper. down to zero freq. for passive loads	Yes	No	-
	03	Motor model Lh_pre = f(PsiEst)	Yes	No	-
	06	Closed-loop/open-loop controlled (PEM) for blocked motor	Yes	No	-
	07	Use rugged changeover limits	Yes	No	-

Dependency: Refer to: p0500

Caution: Do not use bit 6 = 1 if the motor can be slowly reversed by the load at the torque limit. Long delay times due to blocking (p2177 > p1758) can cause the motor to stall. In this case you should de-activate the function or use closed-loop control throughout the speed range (note the information re bit 2 = 1).

 **Note:** Bits 0 ... 2 only have an influence for encoderless vector control, bit 2 is pre-assigned depending on p0500.
 Re bit 2 = 1:
 The sensorless vector control is effective down to zero frequency. A change is not made into the open-loop speed controlled mode.
 This operating mode is possible for passive loads. These include applications where the load itself does not generate any active torque and therefore only acts reactively to the drive torque of the induction motor.

If bit 2 = 1, then bit 3 is automatically set to 1. Manual de-selection is possible and may be sensible if the saturation characteristic (p1960) was not measured for third-party motors. Generally, for standard SIEMENS motors, the already pre-assigned (default value) saturation characteristic is adequate.

When the bit is set, the selection of bits 0 and 1 is ignored.

Re bit 2 = 0:

Bit 3 is also automatically deactivated.

Re bit 6 = 1:

The following applies for encoderless vector control of induction motors:

For a blocked motor (see p2175, p2177) the time condition in p1758 is bypassed and a change is not made into open-loop controlled operation.

The following applies for encoderless vector control of synchronous motors:

For a blocked motor (see p2175, p2177), the speed ramp-function generator is held in open-loop speed controlled operation, and a change is not made into closed-loop controlled operation.

Re bit 7 = 1:

The following applies for encoderless vector control of induction motors:

If the changeover limits are parameterized too low (p1755, p1756), then they are automatically increased to rugged values by the absolute amount $p1749 * p1755$.

The effective time condition for changing over into open-controlled operation is given by $\text{Min}(p1758, 0.5 * r0384)$.

Activation can make sense for applications that demand a high torque at low frequencies and therefore low speed gradients.

Adequate parameterization must be ensured (p1610, p1611).

r1751**Motor model status / MotMod status**

Access level: 3	Calculated: -	Data type: Unsigned32
Can be changed: -	Scaling: -	Dyn. index: -
Units group: -	Unit selection: -	Func. diagram: -
Min	Max	Factory setting
-	-	-

Description:

Displays the status of the motor model.

Bit field:

Bit	Signal name	1 signal	0 signal	FP
00	Controlled operation	Active	Inactive	-
01	Set ramp-function generator	Active	Inactive	-
02	Stop RsLh adaptation	Yes	No	-
03	Feedback	Active	Inactive	-
04	Encoder operation	Active	Inactive	-
05	Holding angle	Yes	No	-
06	Acceleration criterion	Active	Inactive	-
07	Set angular integrator PEM	Yes	No	-
08	Stop Kt adaptation PEM	Yes	No	-
09	PollID active PEM sensorless	Yes	No	-
10	I injection PEM	Yes	No	-
11	Speed controller output cannot be set to zero	Yes	No	-
12	Rs adapt waits	Yes	No	-
13	Motor operation	Yes	No	-
14	Stator frequency sign	Positive	Negative	-
15	Torque sign	Motor mode	Regenerative mode	-
16	Pulse injection active PEM	Yes	No	-
17	Operation with rugged model feedback	Enabled	Inhibited	-
18	Operation of the current model with current feedback	Enabled	Inhibited	-
19	Current feedback in the current model	Active	Inactive	-
20	Rugged increase of the changeover limits	Active	Inactive	-
21	Motor blocked (RFG stop) PEM	No	Yes	-

Note:

Re bit 17:

Displays the status when enabling the rugged model feedback (p1784) for operation with and without encoder.

The feedback is used to increase the parameter ruggedness of the motor model and is effective in the operating range of the two-component closed loop current control.

2 Parameters

2.2 List of parameters

Re bit 18:

Displays the status when enabling the differential current feedback in the current model for operation with encoder. The function is automatically enabled with p1784 > 0 or p1731 > 0. The feedback is used for a rugged change between the current model and complete machine model with active rugged model feedback and combination current.

Re bit 19:

Displays the currently active stator circuit feedback in current model operation.

Re bit 20:

Displays the currently effective increase of the changeover limits by the value p1749 * p1755.

Re bit 21:

For a blocked synchronous motor, the speed ramp-function generator is held in the open-loop speed controlled operating range if the torque setpoint reaches the torque limit and the speed is less than the threshold value in p2175.

p1752[0...n] Motor model changeover speed operation with encoder / MotMod n_chgov enc

Access level: 3	Calculated: p0340 = 1,3	Data type: FloatingPoint32
Can be changed: U, T	Scaling: -	Dyn. index: DDS, p0180
Units group: 3_1	Unit selection: p0505	Func. diagram: -
Min	Max	Factory setting
0.00 [rpm]	210000.00 [rpm]	210000.00 [rpm]

Description: Sets the speed to change over the motor model for operation with encoder.

Dependency: Refer to: p1756

p1753[0...n] Motor model changeover speed hysteresis operation with encoder / MotMod n_chgovHysE

Access level: 3	Calculated: p0340 = 1,3	Data type: FloatingPoint32
Can be changed: U, T	Scaling: -	Dyn. index: DDS, p0180
Units group: -	Unit selection: -	Func. diagram: -
Min	Max	Factory setting
0.0 [%]	90.0 [%]	0.0 [%]

Description: Sets the hysteresis for the changeover speed of the motor model for operation with speed encoder.

Dependency: Refer to: p1752

Note: The value refers to p1752.

p1755[0...n] Motor model changeover speed encoderless operation / MotMod n_chgSnsorl

Access level: 3	Calculated: p0340 = 1,3	Data type: FloatingPoint32
Can be changed: U, T	Scaling: -	Dyn. index: DDS, p0180
Units group: 3_1	Unit selection: p0505	Func. diagram: -
Min	Max	Factory setting
0.00 [rpm]	210000.00 [rpm]	210000.00 [rpm]

Description: Sets the speed to change over the motor model to encoderless operation.

Dependency: Refer to: p1749, p1756

Notice: The changeover speed represents the steady-state minimum speed up to which the motor model can be used in sensorless steady-state operation.

If the stability is not adequate close to the changeover speed, it may make sense to increase the parameter value. On the other hand, very low changeover speeds can negatively impact the stability.

Note: The changeover speed applies for the changeover between open-loop and closed-loop control mode.

p1756	Motor model changeover speed hysteresis encoderless operation / MotMod n_chgov hys		
	Access level: 3	Calculated: p0340 = 1,3	Data type: FloatingPoint32
	Can be changed: U, T	Scaling: -	Dyn. index: -
	Units group: -	Unit selection: -	Func. diagram: 6730, 6731
	Min 0.0 [%]	Max 95.0 [%]	Factory setting 50.0 [%]
Description:	Sets the hysteresis for the changeover speed of the motor model for encoderless operation.		
Dependency:	Refer to: p1755		
Note:	The parameter value refers to p1755. Extremely small hystereses can have a negative impact on the stability in the changeover speed range, and very high hystereses in the standstill range.		
p1758[0...n]	Motor model changeover delay time closed/open-loop control / MotMod t_cl_op		
	Access level: 3	Calculated: -	Data type: FloatingPoint32
	Can be changed: U, T	Scaling: -	Dyn. index: DDS, p0180
	Units group: -	Unit selection: -	Func. diagram: -
	Min 100 [ms]	Max 10000 [ms]	Factory setting 500 [ms]
Description:	Sets the minimum time for falling below the changeover speed when changing from closed-loop controlled operation to open-loop controlled operation.		
Dependency:	The wait time has no significance if the setpoint speed before the ramp-function generator lies in the open-loop speed controlled operating range. In this case, the change is made without any delay. Refer to: p1755, p1756		
Note:	If p1758 is changed, commissioning must be selected in order to validate the value for the blocking monitoring.		
p1759[0...n]	Motor model changeover delay time open/closed-loop control / MotMod t_op_cl		
	Access level: 3	Calculated: -	Data type: FloatingPoint32
	Can be changed: U, T	Scaling: -	Dyn. index: DDS, p0180
	Units group: -	Unit selection: -	Func. diagram: -
	Min 0 [ms]	Max 2000 [ms]	Factory setting 0 [ms]
Description:	Sets the minimum time for a transition from open-loop controlled to closed-loop controlled operation after the lower changeover speed $p1755 * (1 - p1756 / 100 \%)$ has been exceeded.		
Dependency:	Refer to: p1755, p1756		
Note:	With $p1759 = 2000$ ms, the delay time becomes ineffective and the model changeover is determined by the output frequency only (changeover for p1755).		
p1760[0...n]	Motor model with encoder speed adaptation Kp / MotMod wE_n_ada Kp		
	Access level: 3	Calculated: p0340 = 1,3,4	Data type: FloatingPoint32
	Can be changed: U, T	Scaling: -	Dyn. index: DDS, p0180
	Units group: -	Unit selection: -	Func. diagram: -
	Min 0.000	Max 100000.000	Factory setting 1000.000
Description:	Sets the proportional gain of the controller for speed adaptation with encoder		
p1761[0...n]	Motor model with encoder speed adaptation Tn / MotMod wE_n_ada Tn		
	Access level: 3	Calculated: p0340 = 1,3,4	Data type: FloatingPoint32
	Can be changed: U, T	Scaling: -	Dyn. index: DDS, p0180
	Units group: -	Unit selection: -	Func. diagram: -
	Min 0 [ms]	Max 1000 [ms]	Factory setting 4 [ms]
Description:	Sets the integral-action time of the controller for speed adaptation with encoder		

r1762[0...1]	Motor model deviation component 1 / MotMod dev comp 1		
	Access level: 4	Calculated: -	Data type: FloatingPoint32
	Can be changed: -	Scaling: -	Dyn. index: -
	Units group: -	Unit selection: -	Func. diagram: 6721, 6730, 6731
	Min	Max	Factory setting
	-	-	-
Description:	Induction motor (ASM): Displays the referred imaginary system deviation for the adaptation circuit of the motor model. Permanent magnet synchronous motor (PEM): Displays the system deviation for speed adaptation. r1762[0]: Angular deviation [rad-el] of the estimated EMF. r1762[1]: Angular deviation [rad-el] of the low-level signal response for pulse technique.		
Index:	[0] = Deviation model 1 [1] = Deviation model 2		
r1763	Motor model deviation component 2 / MotMod dev comp 2		
	Access level: 4	Calculated: -	Data type: FloatingPoint32
	Can be changed: -	Scaling: -	Dyn. index: -
	Units group: -	Unit selection: -	Func. diagram: -
	Min	Max	Factory setting
	-	-	-
Description:	Induction motor (ASM): Displays the referred real system deviation for the adaptation circuit of the motor model. Permanent magnet synchronous motor (PEM): Not used.		
p1764[0...n]	Motor model without encoder speed adaptation Kp / MotMod woE n_adaKp		
	Access level: 4	Calculated: p0340 = 1,3,4	Data type: FloatingPoint32
	Can be changed: U, T	Scaling: -	Dyn. index: DDS, p0180
	Units group: -	Unit selection: -	Func. diagram: 6730
	Min	Max	Factory setting
	0.000	100000.000	1000.000
Description:	Sets the proportional gain of the controller for speed adaptation without encoder.		
r1765	Motor model speed adaptation Kp effective / MotM n_ada Kp act		
	Access level: 4	Calculated: -	Data type: FloatingPoint32
	Can be changed: -	Scaling: p2001	Dyn. index: -
	Units group: -	Unit selection: -	Func. diagram: -
	Min	Max	Factory setting
	-	-	-
Description:	Displays the effective proportional gain of the controller for the speed adaptation.		
p1767[0...n]	Motor model without encoder speed adaptation Tn / MotMod woE n_adaTn		
	Access level: 4	Calculated: p0340 = 1,3,4	Data type: FloatingPoint32
	Can be changed: U, T	Scaling: -	Dyn. index: DDS, p0180
	Units group: -	Unit selection: -	Func. diagram: 6730
	Min	Max	Factory setting
	1 [ms]	200 [ms]	4 [ms]
Description:	Sets the integral time of the controller for speed adaptation without encoder		

r1768	Motor model speed adaptation Vi effective / MotM n_ada Vi act		
	Access level: 4	Calculated: -	Data type: FloatingPoint32
	Can be changed: -	Scaling: p2001	Dyn. index: -
	Units group: -	Unit selection: -	Func. diagram: -
	Min	Max	Factory setting
	-	-	-
Description:	Displays the effective gain of the integral component of the controller for speed adaptation.		
r1770	CO: Motor model speed adaptation proportional component / MotMod n_adapt Kp		
	Access level: 4	Calculated: -	Data type: FloatingPoint32
	Can be changed: -	Scaling: p2000	Dyn. index: -
	Units group: 3_1	Unit selection: p0505	Func. diagram: 6730
	Min	Max	Factory setting
	- [rpm]	- [rpm]	- [rpm]
Description:	Displays the P component of the controller for speed adaptation.		
r1771	CO: Motor model speed adaptation I comp. / MotMod n_adapt Tn		
	Access level: 4	Calculated: -	Data type: FloatingPoint32
	Can be changed: -	Scaling: p2000	Dyn. index: -
	Units group: 3_1	Unit selection: p0505	Func. diagram: 6730
	Min	Max	Factory setting
	- [rpm]	- [rpm]	- [rpm]
Description:	Displays the I component of the controller for speed adaptation.		
r1773[0...1]	Motor model slip speed / MotMod slip		
	Access level: 4	Calculated: -	Data type: FloatingPoint32
	Can be changed: -	Scaling: -	Dyn. index: -
	Units group: 3_1	Unit selection: p0505	Func. diagram: -
	Min	Max	Factory setting
	- [rpm]	- [rpm]	- [rpm]
Description:	Displays estimated (speed) signals of the motor model. r1773[0]: Displays the estimated (mechanical) slip of the motor model. r1773[1]: Displays the estimated input speed of the motor model.		
Index:	[0] = Slip speed estimated [1] = Speed estimated		
p1774[0...n]	Motor model offset voltage compensation alpha / MotMod offs comp A		
	Access level: 4	Calculated: -	Data type: FloatingPoint32
	Can be changed: U, T	Scaling: -	Dyn. index: DDS, p0180
	Units group: -	Unit selection: -	Func. diagram: -
	Min	Max	Factory setting
	-5.000 [V]	5.000 [V]	0.000 [V]
Description:	Sets the offset voltage in the alpha direction; this compensates the offset voltages of the drive converter/inverter at low speeds. The value is valid for the rated (nominal) pulse frequency of the power unit.		
Note:	The value is pre-set during the rotating measurement.		

2 Parameters

2.2 List of parameters

p1775[0...n]	Motor model offset voltage compensation beta / MotMod offs comp B		
	Access level: 4	Calculated: -	Data type: FloatingPoint32
	Can be changed: U, T	Scaling: -	Dyn. index: DDS, p0180
	Units group: -	Unit selection: -	Func. diagram: -
	Min	Max	Factory setting
	-5.000 [V]	5.000 [V]	0.000 [V]
Description:	Sets the offset voltage in the beta direction; this compensates the offset voltages of the drive converter/inverter at low speeds. The value is valid for the rated (nominal) pulse frequency of the power unit.		
Note:	The value is pre-set during the rotating measurement.		

r1776[0...6]	Motor model status signals / MotMod status sig		
	Access level: 4	Calculated: -	Data type: FloatingPoint32
	Can be changed: -	Scaling: -	Dyn. index: -
	Units group: -	Unit selection: -	Func. diagram: -
	Min	Max	Factory setting
	-	-	-
Description:	Displays the internal status signals of the motor model: Index 0: Changeover ramp between current and voltage models Index 1: Changeover ramp for model tracking (encoderless induction motors only) Index 2: Changeover ramp for zero frequency range (encoderless induction motors only) Index 3: Transition ramp actual speed from speed setpoint to model value (encoderless FEM) Index 4: Speed controller enable (encoderless FEM) Index 5: Transition ramp between current and voltage models (encoderless FEM) Index 6: Transition ramp for EMF deviation at PLL input (encoderless PESM)		
Index:	[0] = Changeover ramp motor model [1] = Changeover ramp model tracking [2] = Changeover ramp zero frequency encoderless ASM [3] = Changeover ramp actual speed encoderless FEM [4] = Enable speed controller encoderless FEM [5] = Changeover ramp motor model encoderless FEM [6] = Changeover ramp motor model encoderless PESM		
Note:	Indices 3 through 5 are only relevant in the case of encoderless control of separately excited synchronous motors.		

r1778	Motor model flux angle difference / MotMod ang diff		
	Access level: 4	Calculated: -	Data type: FloatingPoint32
	Can be changed: -	Scaling: p2005	Dyn. index: -
	Units group: -	Unit selection: -	Func. diagram: -
	Min	Max	Factory setting
	- [°]	- [°]	- [°]
Description:	Displays the difference between the motor model flux angle and the transformation angle.		
Dependency:	A setting for smoothing the display can be made using p1754.		

p1780[0...n]	Motor model adaptation configuration / MotMod adapt conf				
	Access level: 3	Calculated: p0340 = 1,3,4	Data type: Unsigned16		
	Can be changed: U, T	Scaling: -	Dyn. index: DDS, p0180		
	Units group: -	Unit selection: -	Func. diagram: -		
	Min	Max	Factory setting		
	-	-	0000 0000 0111 1100 bin		
Description:	Sets the configuration for the adaptation circuit of the motor model. Induction motor (ASM): Rs, Lh, and offset compensation. Permanent magnet synchronous motor (PEM): kT				
Bit field:	Bit	Signal name	1 signal	0 signal	FP
	01	Select motor model ASM Rs adaptation	Yes	No	-
	02	Select motor model ASM Lh adaptation	Yes	No	-

03	Select motor model PEM kT adaptation	Yes	No	-
04	Select motor model offset adaptation	Yes	No	-
05	Select ASM Rr adaptation (only with encoder)	Yes	No	-
06	Select pole position identification PEM encoderless	Yes	No	-
07	Select T(valve) with Rs adaptation	Yes	No	-
10	Filter time combination current like current ctrl integral time	Yes	No	-
12	Start PEM sensorless with last angle	Yes	No	-
13	Fast pulsed pole position identification	Yes	No	-
14	Delay of the precontrol speed to the motor model	Yes	No	-
15	RESM: Linear Q flux model	active	not active	-

Dependency: In U/f characteristic operating mode only bit 7 is relevant.

For active motor model feedback (see p1784), the Lh adaptation is internally deactivated automatically.

Note: ASM: Induction motor

PEM: Permanent magnet synchronous motor

When selecting the compensation of the valve interlocking via Rs (bit 7), the compensation in the gating unit is deactivated and is instead taken into account in the motor model.

In order that the correction values of the Rs, Lh and kT adaptation (selected using Bit 0 ... Bit 2) are correctly accepted when changing over the drive data set, a dedicated motor number must be entered into p0826 for each different motor.

Re bit 12 (only for synchronous motors and bit 6 = 1):

The pole position identification is only carried out after power on and after the motor has coasted down. The switch-off speed p1226 should be as low as possible. If the power unit is switched off when the motor is stationary, then the next time that the power unit is switched on, the old angle is used. The precondition applies that while the power unit is switched off the motor does not rotate.

The duration of the pole position identification is shortened using bit 13. As a consequence, the pole wheel angle error can be slightly greater.

p1784[0...n]	Motor model feedback scaling / MotMod fdbk scal		
Access level: 4	Calculated: p0340 = 1,3,4	Data type: FloatingPoint32	
Can be changed: U, T	Scaling: -	Dyn. index: DDS, p0180	
Units group: -	Unit selection: -	Func. diagram: -	
Min	Max	Factory setting	
0.0 [%]	1000.0 [%]	0.0 [%]	

Description: Sets the scaling for model fault feedback.

Note: Feeding back the measured model fault to the model states increases the control stability and makes the motor model rugged against parameter errors.

When feedback is selected (p1784 > 0), Lh adaptation is not effective.

p1785[0...n]	Motor model Lh adaptation Kp / MotMod Lh Kp		
Access level: 4	Calculated: p0340 = 1,3,4	Data type: FloatingPoint32	
Can be changed: U, T	Scaling: -	Dyn. index: DDS, p0180	
Units group: -	Unit selection: -	Func. diagram: -	
Min	Max	Factory setting	
0.000	10.000	0.100	

Description: Sets the proportional gain for the Lh adaptation of the motor model for an induction motor (ASM).

p1786[0...n]	Motor model Lh adaptation integral time / MotMod Lh Tn		
Access level: 4	Calculated: p0340 = 1,3,4	Data type: FloatingPoint32	
Can be changed: U, T	Scaling: -	Dyn. index: DDS, p0180	
Units group: -	Unit selection: -	Func. diagram: -	
Min	Max	Factory setting	
10 [ms]	10000 [ms]	100 [ms]	

Description: Sets the integral time for the Lh adaptation of the motor model for an induction motor (ASM).

r1787[0...n]	Motor model Lh adaptation corrective value / MotMod Lh corr		
	Access level: 4	Calculated: -	Data type: FloatingPoint32
	Can be changed: -	Scaling: -	Dyn. index: DDS, p0180
	Units group: -	Unit selection: -	Func. diagram: -
	Min	Max	Factory setting
	- [mH]	- [mH]	- [mH]
Description:	Displays the corrective value for the Lh adaptation of the motor model for an induction motor (ASM).		
Dependency:	Refer to: p0826, p1780		
Note:	The adaptation result is reset if the magnetizing inductance of the induction motor is changed (p0360, r0382). This also happens when changing over the data set if a different motor is not being used (p0826). The display of the inactive data sets is only updated when changing over the data set.		
r1791	Motor model Lh adaptation power-on frequency / MotMod Lh f_on		
	Access level: 4	Calculated: -	Data type: FloatingPoint32
	Can be changed: -	Scaling: -	Dyn. index: -
	Units group: -	Unit selection: -	Func. diagram: -
	Min	Max	Factory setting
	- [Hz]	- [Hz]	- [Hz]
Description:	Displays the power-on stator frequency/ primary section frequency for the Lh adaptation for the induction motor (ASM).		
r1792	Motor model Lh adaptation power-on slip / MotMod Lh fslip		
	Access level: 4	Calculated: -	Data type: FloatingPoint32
	Can be changed: -	Scaling: -	Dyn. index: -
	Units group: -	Unit selection: -	Func. diagram: -
	Min	Max	Factory setting
	- [Hz]	- [Hz]	- [Hz]
Description:	Displays the power-on slip frequency for the Lh adaptation for the induction motor (ASM).		
p1795[0...n]	Motor model kT adaptation integral time / MotMod kT Tn		
	Access level: 4	Calculated: p0340 = 1,3,4	Data type: FloatingPoint32
	Can be changed: U, T	Scaling: -	Dyn. index: DDS, p0180
	Units group: -	Unit selection: -	Func. diagram: 6731
	Min	Max	Factory setting
	10 [ms]	10000 [ms]	100 [ms]
Description:	Sets the integral time of the kT adaptation of the motor model for a permanent-magnet synchronous motor (PEM).		
r1797[0...n]	Motor model kT adaptation corrective value / MotMod kT corr		
	Access level: 4	Calculated: -	Data type: FloatingPoint32
	Can be changed: -	Scaling: -	Dyn. index: DDS, p0180
	Units group: -	Unit selection: -	Func. diagram: 6731
	Min	Max	Factory setting
	- [Nm/A]	- [Nm/A]	- [Nm/A]
Description:	Displays the corrective value of the kT adaptation of the motor model for a permanent-magnet synchronous motor (PEM).		
Dependency:	Refer to: p0826, p1780		
Note:	The display of the inactive data sets is only updated when changing over the data set.		

p1800[0...n]	Pulse frequency setpoint / Pulse freq setp		
	Access level: 2	Calculated: -	Data type: FloatingPoint32
	Can be changed: U, T	Scaling: -	Dyn. index: DDS, p0180
	Units group: -	Unit selection: -	Func. diagram: 8014
	Min 2.000 [kHz]	Max 16.000 [kHz]	Factory setting 4.000 [kHz]
Description:	Sets the pulse frequency for the converter. This parameter is pre-set to the rated converter value when the drive is first commissioned.		
Dependency:	Refer to: p0230		
Note:	The maximum and minimum possible pulse frequency is also determined by the power unit being used (minimum pulse frequency: 2 kHz or 4 kHz). When the pulse frequency is increased, depending on the particular power unit, the maximum output current can be reduced (derating, refer to r0067). If a sine-wave filter is parameterized as output filter (p0230 = 3), then the pulse frequency cannot be set below the minimum value required for the filter. For operation with output reactors, the pulse frequency is limited to 4 kHz (see p0230). If p1800 is changed during commissioning (p0010 > 0), then it is possible that the old value will no longer be able to be set. The reason for this is that the dynamic limits of p1800 have been changed by a parameter that was set when the drive was commissioned (e.g. p1082).		
r1801[0...1]	CO: Pulse frequency / Pulse frequency		
	Access level: 2	Calculated: -	Data type: FloatingPoint32
	Can be changed: -	Scaling: p2000	Dyn. index: -
	Units group: -	Unit selection: -	Func. diagram: -
	Min - [kHz]	Max - [kHz]	Factory setting - [kHz]
Description:	Display and connector output for the actual converter switching frequency.		
Index:	[0] = Actual [1] = Modulator minimum value		
Note:	The selected pulse frequency (p1800) may be reduced if the drive converter has an overload condition (p0290).		
p1802[0...n]	Modulator mode / Modulator mode		
PM240	Access level: 3	Calculated: p0340 = 1,3,5	Data type: Integer16
	Can be changed: T	Scaling: -	Dyn. index: DDS, p0180
	Units group: -	Unit selection: -	Func. diagram: -
	Min 0	Max 10	Factory setting 0
Description:	Sets the modulator mode.		
Value:	0: Automatic changeover SVM/FLB 2: Space vector modulation (SVM) 3: SVM without overcontrol 4: SVM/FLB without overcontrol 10: SVM/FLB with modulation depth reduction		
Dependency:	If a sine-wave filter is parameterized as output filter (p0230 = 3, 4), then only space vector modulation without overcontrol can be selected as modulation type (p1802 = 3). This does not apply to power units PM260. p1802 = 10 can only be set for power units PM230 and PM240 and for r0204.15 = 0. Refer to: p0230, p0500		
Note:	When modulation modes are enabled that could lead to overmodulation (p1802 = 0, 2, 10), the modulation depth must be limited using p1803 (default, p1803 < 100 %). The higher the overmodulation, the greater the current ripple and torque ripple. When changing p1802[x], the values for all of the other existing indices are also changed.		

p1802[0...n]	Modulator mode / Modulator mode		
PM250	Access level: 3	Calculated: p0340 = 1,3,5	Data type: Integer16
PM260	Can be changed: T	Scaling: -	Dyn. index: DDS, p0180
	Units group: -	Unit selection: -	Func. diagram: -
	Min	Max	Factory setting
	0	4	4
Description:	Sets the modulator mode.		
Value:	0: Automatic changeover SVM/FLB 2: Space vector modulation (SVM) 3: SVM without overcontrol 4: SVM/FLB without overcontrol		
Dependency:	If a sine-wave filter is parameterized as output filter (p0230 = 3, 4), then only space vector modulation without overcontrol can be selected as modulation type (p1802 = 3). This does not apply to power units PM260. Refer to: p0230, p0500		
Note:	When modulation modes are enabled that could lead to overmodulation (p1802 = 0, 2, 10), the modulation depth must be limited using p1803 (default, p1803 < 100 %). The higher the overmodulation, the greater the current ripple and torque ripple. When changing p1802[x], the values for all of the other existing indices are also changed.		
p1803[0...n]	Maximum modulation depth / Modulat depth max		
PM240	Access level: 3	Calculated: p0340 = 1,3,5	Data type: FloatingPoint32
	Can be changed: U, T	Scaling: -	Dyn. index: DDS, p0180
	Units group: -	Unit selection: -	Func. diagram: 6723
	Min	Max	Factory setting
	20.0 [%]	150.0 [%]	106.0 [%]
Description:	Defines the maximum modulation depth.		
Dependency:	Refer to: p0500		
Note:	p1803 = 100% is the overcontrol limit for space vector modulation (for an ideal drive converter without any switching delay).		
p1803[0...n]	Maximum modulation depth / Modulat depth max		
PM250	Access level: 3	Calculated: p0340 = 1,3,5	Data type: FloatingPoint32
PM260	Can be changed: U, T	Scaling: -	Dyn. index: DDS, p0180
	Units group: -	Unit selection: -	Func. diagram: 6723
	Min	Max	Factory setting
	20.0 [%]	150.0 [%]	106.0 [%]
Description:	Defines the maximum modulation depth.		
Dependency:	Default setting PM260: 103 %. Refer to: p0500		
Note:	p1803 = 100% is the overcontrol limit for space vector modulation (for an ideal drive converter without any switching delay).		
p1806[0...n]	Filter time constant Vdc correction / T_filt Vdc_corr		
	Access level: 4	Calculated: p0340 = 1,3	Data type: FloatingPoint32
	Can be changed: U, T	Scaling: -	Dyn. index: DDS, p0180
	Units group: -	Unit selection: -	Func. diagram: -
	Min	Max	Factory setting
	0.0 [ms]	10000.0 [ms]	0.0 [ms]
Description:	Sets the filter time constant of the DC link voltage used to calculate the modulation depth.		

r1808	DC link voltage actual value for U_max calculation / Vdc act val U_max		
	Access level: 4	Calculated: -	Data type: FloatingPoint32
	Can be changed: -	Scaling: p2001	Dyn. index: -
	Units group: 5_2	Unit selection: p0505	Func. diagram: -
	Min - [V]	Max - [V]	Factory setting - [V]
Description:	DC link voltage used to determine the maximum possible output voltage.		

r1809	CO: Modulator mode actual / Modulator mode act		
	Access level: 4	Calculated: -	Data type: Integer16
	Can be changed: -	Scaling: -	Dyn. index: -
	Units group: -	Unit selection: -	Func. diagram: -
	Min 1	Max 9	Factory setting -
Description:	Displays the effective modulator mode.		
Value:	1: Flat top modulation (FLB) 2: Space vector modulation (SVM) 9: Optimized pulse pattern		

p1810	Modulator configuration / Modulator config				
	Access level: 3	Calculated: -	Data type: Unsigned16		
	Can be changed: U, T	Scaling: -	Dyn. index: -		
	Units group: -	Unit selection: -	Func. diagram: -		
	Min -	Max -	Factory setting 0000 bin		
Description:	Sets the configuration for the modulator.				
Bit field:	Bit	Signal name	1 signal	0 signal	FP
	00	Avg value filter for U_lim (only for Vdc_comp. in modulator)	Yes	No	-
	01	DC link voltage compensation in the current control	Yes	No	-
Notice:	Bit 1 = 1 can only be set under a pulse inhibit and for r0192.14 = 1.				
Note:	Re bit 00 = 0: Voltage limitation from the minimum of the DC link voltage (lower ripple in the output current, reduced output voltage). Re bit 00 = 1: Voltage limitation from averaged DC link voltage (higher output voltage with increased ripple in the output current). The selection is only valid if the DC link compensation is not performed in the Control Unit (bit 1 = 0). Re bit 01 = 0: DC link voltage compensation in the modulator. Re bit 01 = 1: DC link voltage compensation in the current control.				

p1820[0...n]	Reverse the output phase sequence / Outp_ph_seq rev		
	Access level: 2	Calculated: -	Data type: Integer16
	Can be changed: C(2), T	Scaling: -	Dyn. index: DDS, p0180
	Units group: -	Unit selection: -	Func. diagram: -
	Min 0	Max 1	Factory setting 0
Description:	Sets the phase sequence reversal for the motor without setpoint change. If the motor does not rotate in the required direction, then the output phase sequence can be reversed using this parameter. This means that the direction of the motor is reversed without the setpoint being changed.		
Value:	0: OFF 1: ON		

2 Parameters

2.2 List of parameters

Caution: For operation with encoder, if the output phase sequence is changed, under certain circumstances it may be necessary to change the direction of rotation for the encoder (see p0410).



The encoder polarity is also checked for the rotating measurement (see p1959).

Note: This setting can only be changed when the pulses are inhibited.

p1822	Power unit line phases monitoring tolerance time / PU ph monit t_tol		
Access level: 4	Calculated: -	Data type: Unsigned32	
Can be changed: T	Scaling: -	Dyn. index: -	
Units group: -	Unit selection: -	Func. diagram: -	
Min	Max	Factory setting	
500 [ms]	540000 [ms]	1000 [ms]	

Description: Sets the tolerance time for line phase monitoring for blocksize power units.
If a line phase fault is present for longer than this tolerance time, then a corresponding fault is output.

Notice: When operating with a failed line phase, depending on the active power, values higher than the default value can either immediately damage the power unit or damage it over the long term.

Note: For the setting p1822 = maximum value, line phase monitoring is deactivated.

p1825	Converter valve threshold voltage / Threshold voltage		
Access level: 4	Calculated: p0340 = 1	Data type: FloatingPoint32	
Can be changed: U, T	Scaling: -	Dyn. index: -	
Units group: -	Unit selection: -	Func. diagram: -	
Min	Max	Factory setting	
0.0 [Vrms]	100.0 [Vrms]	0.6 [Vrms]	

Description: Sets the threshold voltage drop of the valves (power semiconductor devices) to be compensated.

Note: The value is automatically calculated in the motor data identification routine.

p1828	Compensation valve lockout time phase U / Comp t_lock ph U		
Access level: 4	Calculated: p0340 = 1	Data type: FloatingPoint32	
Can be changed: U, T	Scaling: -	Dyn. index: -	
Units group: -	Unit selection: -	Func. diagram: -	
Min	Max	Factory setting	
0.00 [µs]	3.99 [µs]	0.00 [µs]	

Description: Sets the valve lockout time to compensate for phase U.

Note: The value is automatically calculated in the motor data identification routine.

p1829	Compensation valve lockout time phase V / Comp t_lock ph V		
Access level: 4	Calculated: p0340 = 1	Data type: FloatingPoint32	
Can be changed: U, T	Scaling: -	Dyn. index: -	
Units group: -	Unit selection: -	Func. diagram: -	
Min	Max	Factory setting	
0.00 [µs]	3.99 [µs]	0.00 [µs]	

Description: Sets the valve lockout time to compensate for phase V.

p1830	Compensation valve lockout time phase W / Comp t_lock ph W		
Access level: 4	Calculated: p0340 = 1	Data type: FloatingPoint32	
Can be changed: U, T	Scaling: -	Dyn. index: -	
Units group: -	Unit selection: -	Func. diagram: -	
Min	Max	Factory setting	
0.00 [µs]	3.99 [µs]	0.00 [µs]	

Description: Sets the valve lockout time to compensate for phase W.

p1832	Dead time compensation current level / t_dead_comp I_lev		
	Access level: 4	Calculated: p0340 = 1	Data type: FloatingPoint32
	Can be changed: U, T	Scaling: -	Dyn. index: -
	Units group: -	Unit selection: -	Func. diagram: -
	Min	Max	Factory setting
	0.0 [Arms]	10000.0 [Arms]	0.0 [Arms]
Description:	Sets the current level for the dead time compensation. Above the current level, the dead time - resulting from the converter switching delays - is compensated by a previously calculated constant value. If the relevant phase current setpoint falls below the absolute value defined by p1832, the corrective value for this phase is continuously reduced.		
Dependency:	The factory setting of p1832 is automatically set to 0.02 * rated drive converter current (r0207).		

r1838.0...15	CO/BO: Gating unit status word 1 / Gating unit ZSW1				
	Access level: 3	Calculated: -	Data type: Unsigned16		
	Can be changed: -	Scaling: -	Dyn. index: -		
	Units group: -	Unit selection: -	Func. diagram: -		
	Min	Max	Factory setting		
	-	-	-		
Description:	Displays status word 1 of the power unit.				
Bit field:	Bit	Signal name	1 signal	0 signal	FP
	00	Fault time-critical	ON	OFF	-
	01	Gating unit mode bit 0	ON	OFF	-
	02	Pulse enable	ON	OFF	-
	03	Upper shutdown path	Inactive	Active	-
	04	Lower shutdown path	Inactive	Active	-
	05	Gating unit mode bit 1	ON	OFF	-
	06	Gating unit mode bit 2	ON	OFF	-
	07	Brake state	ON	OFF	-
	08	Brake diagnostics	ON	OFF	-
	09	Armature short-circuit braking	Active	Not active	-
	10	Gating unit state bit 0	ON	OFF	-
	11	Gating unit state bit 1	ON	OFF	-
	12	Gating unit state bit 2	ON	OFF	-
	13	Alarm status bit 0	ON	OFF	-
	14	Alarm status bit 1	ON	OFF	-
	15	Diagnostics 24 V	ON	OFF	-

p1900	Motor data identification and rotating measurement / MotID and rot meas		
	Access level: 2	Calculated: -	Data type: Integer16
	Can be changed: C(1), T	Scaling: -	Dyn. index: -
	Units group: -	Unit selection: -	Func. diagram: -
	Min	Max	Factory setting
	0	3	0
Description:	Sets the motor data identification and speed controller optimization. The motor identification should first be performed with the motor stationary (p1900 = 1, 2; also refer to p1910). Based on this, additional motor and control parameters can be determined using the motor data identification with the motor rotating (p1900 = 1, 3; also refer to p1960; not for p1300 < 20). p1900 = 0: Function inhibited. p1900 = 1: Sets p1910 = 1 and p1960 = 0, 1 depending on p1300 When the drive enable signals are present, a motor data identification routine is carried out at standstill with the next power-on command. Current flows through the motor which means that it can align itself by up to a quarter of a revolution. With the following power-on command, a rotating motor data identification routine is carried out - and in addition, a speed controller optimization by making measurements at different motor speeds.		

2.2 List of parameters

p1900 = 2:

Sets p1910 = 1 and p1960 = 0

When the drive enable signals are present, a motor data identification routine is carried out at standstill with the next power-on command. Current flows through the motor which means that it can align itself by up to a quarter of a revolution.

p1900 = 3:

Sets p1960 = 0, 1 depending on p1300

This setting should only be selected if the motor data identification was already carried out at standstill.

When the drive enable signals are present, with the next power-on command, a rotating motor data identification routine is carried out - and in addition, speed controller optimization by taking measurements at different motor speeds.

Value:
 0: Inhibited
 1: Identifying motor data and optimizing speed control
 2: Identifying motor data (at standstill)
 3: Optimizing speed control (in the rotating mode)

Dependency: Refer to: p1300, p1910, p1960

Notice: p1900 = 3:
 This setting should only be selected if the motor data identification was already carried out at standstill.
 If there is a motor holding brake, it must be open (p1215 = 2).

To permanently accept the determined settings they must be saved in a non-volatile fashion (p0971).

During the rotating measurement it is not possible to save the parameter (p0971).

For p0014 = 1, the following applies:

After the value has been modified, no further parameter modifications can be made and the status is shown in r3996. Modifications can be made again when r3996 = 0.

Note: The motor and control parameters of the vector control are only optimally set when both measurements are carried out (initially at standstill, and then with the motor rotating). The measurement with rotating motor is not performed for p1300 < 20 (U/f controls).

An appropriate alarm is output when the parameter is set.

The power-on command must remain set during a measurement and after the measurement has been completed, the drive automatically resets it.

The duration of the measurements can lie between 0.3 s and several minutes. This time is, for example, influenced by the motor size and the mechanical conditions.

p1900 is automatically set to 0 after the motor data identification routine has been completed.

p1901

Test pulse evaluation configuration / Test puls config

Access level: 3	Calculated: p0340 = 1	Data type: Unsigned32
Can be changed: T	Scaling: -	Dyn. index: -
Units group: -	Unit selection: -	Func. diagram: -
Min	Max	Factory setting
-	-	0000 bin

Description: Sets the configuration for the test pulse evaluation.
 Bit 00: Check for conductor-to-conductor short circuit once/always when the pulses are enabled.
 Bit 01: Check for ground fault once/always when the pulses are enabled.
 Bit 02: Activation of the tests selected using bit 00 and/or bit 01 each time the pulses are enabled

Bit field:	Bit	Signal name	1 signal	0 signal	FP
	00	Phase short-circuit test pulse active	Yes	No	-
	01	Ground fault detection test pulse active	Yes	No	-
	02	Test pulse at each pulse enable	Yes	No	-

Dependency: Refer to: p0287

Note: If a conductor-to-conductor short-circuit is detected during the test, this is displayed in r1902.1.
 If a ground fault is detected during the test, this is displayed in r1902.2.
 Re bit 02 = 0:
 If the test was successful once after POWER ON (see r1902.0), it is not repeated.
 Re bit 02 = 1:
 The test is not only performed after POWER ON, but also each time the pulses are enabled.

r1902		Test pulse evaluation status / Test puls ev stat		
Access level:	4	Calculated:	-	Data type: Unsigned32
Can be changed:	-	Scaling:	-	Dyn. index: -
Units group:	-	Unit selection:	-	Func. diagram: -
Min	-	Max	-	Factory setting
	-		-	-
Description:	Displays the status of the test pulse evaluation.			
Bit field:	Bit	Signal name	1 signal	0 signal
	00	Short-circuit test successfully performed	Yes	No
	01	Phase short-circuit detected	Yes	No
	02	Ground fault test successfully performed	Yes	No
	03	Ground fault detected	Yes	No
	04	Identification pulse width greater than the minimum pulse width	Yes	No
Note:	If the ground fault test was selected, but not successfully performed, then sufficient current will not be able to be established during the test pulses. Re bit 04: A test pulse longer than one sampling time has occurred			

p1909[0...n]		Motor data identification control word / MotID STW		
Access level:	3	Calculated:	p0340 = 1	Data type: Unsigned32
Can be changed:	T	Scaling:	-	Dyn. index: MDS
Units group:	-	Unit selection:	-	Func. diagram: -
Min	-	Max	-	Factory setting
	-		-	0000 0000 0000 0000 0000 0000 0000 0000 0000 bin
Description:	Sets the configuration for the motor data identification.			
Bit field:	Bit	Signal name	1 signal	0 signal
	00	Stator inductance estimate no measurement	Yes	No
	02	Rotor time constant estimate no measurement	Yes	No
	03	Leakage inductance estimate no measurement	Yes	No
	05	Determine Tr and Lsig evaluation in the time range	Yes	No
	06	Activate vibration damping	Yes	No
	07	De-activate vibration detection	Yes	No
	11	De-activate pulse measurement Lq Ld	Yes	No
	12	De-activate rotor resistance Rr measurement	Yes	No
	14	De-activate valve interlocking time measurement	Yes	No
	15	Determine only stator resistance, valve voltage fault, dead time	Yes	No
	16	Short motor identification (lower quality)	Yes	No
	17	Measurement without control parameter calculation	Yes	No
	18	After motID direct transition into operation	Yes	No
	19	After MotID automatically save results	Yes	No
	20	Estimate cable resistance	Yes	No
Note:	The following applies to permanent-magnet synchronous motors: Without de-selection in bit 11, in the closed-loop control mode, the direct inductance LD and the quadrature inductance Lq are measured at a low current. When de-selecting with bit 11 or in the U/f mode, the stator inductance is measured at half the rated motor current. If the stator inductance is not measured but is to be estimated, then bit 0 should be set and bit 11 should be de-selected.			

Bit 19 = 1:

All parameters are automatically saved after a successful motor data identification.

If a speed controller optimization run is then selected, the parameters are only saved after this measurement has been completed.

p1910	Motor data identification selection / MotID selection		
	Access level: 3	Calculated: -	Data type: Integer16
	Can be changed: T	Scaling: -	Dyn. index: -
	Units group: -	Unit selection: -	Func. diagram: -
	Min	Max	Factory setting
	0	28	0
Description:	<p>Sets the motor data identification routine.</p> <p>The motor data identification routine is carried out after the next power-on command.</p> <p>p1910 = 1: All motor data and the drive converter characteristics are identified and then transferred to the following parameters: p0350, p0354, p0356, p0357, p0358, p0360, p1825, p1828, p1829, p1830 After this, the control parameter p0340 = 3 is automatically calculated.</p> <p>p1910 = 20: Only for internal SIEMENS use.</p>		
Value:	<p>0: Inhibited</p> <p>1: Complete identification (ID) and acceptance of motor data</p> <p>2: Complete identification (ID) of motor data without acceptance</p> <p>20: Voltage vector input</p> <p>21: Voltage vector input without filter</p> <p>22: Rectangular voltage vector input without filter</p> <p>23: Triangular voltage vector input without filter</p> <p>24: Rectangular voltage vector input with filter</p> <p>25: Triangular voltage vector input with filter</p> <p>26: Enter voltage vector with DTC correction</p> <p>27: Enter voltage vector with AVC</p> <p>28: Enter voltage vector with DTC + AVC correction</p>		
Dependency:	<p>"Quick commissioning" must be carried out (p0010 = 1, p3900 > 0) before executing the motor data identification routine!</p> <p>When selecting the motor data identification routine, the drive data set changeover is suppressed.</p> <p>Refer to: p1900</p>		
Notice:	<p>After the motor data identification (p1910 > 0) has been selected, alarm A07991 is output and a motor data identification routine is carried out as follows at the next power-on command:</p> <ul style="list-style-type: none"> - current flows through the motor and a voltage is present at the drive converter output terminals. - during the identification routine, the motor shaft can rotate through a maximum of half a revolution. - however, no torque torque is generated. 		
Note:	<p>If there is a motor holding brake, it must be open (p1215 = 2).</p> <p>To permanently accept the determined settings they must be saved in a non-volatile fashion (p0971).</p> <p>When setting p1910, the following should be observed:</p> <ol style="list-style-type: none"> 1. "With acceptance" means: The parameters specified in the description are overwritten with the identified values and therefore have an influence on the controller setting. 2. "Without acceptance" means: The identified parameters are only displayed in the range r1912 ... r1926 (service parameters). The controller settings remain unchanged. 3. For settings 27 and 28, the AVC configuration set using p1840 is active. <p>The power-on command must remain set during a measurement and after the measurement has been completed, the drive automatically resets it. The duration of the measurements can lie between 0.3 s and several minutes. This time is mainly influenced by the motor size. At the end of the motor data identification, p1910 is automatically set to 0, if only the stationary measurement is selected, then p1900 is also reset to 0, otherwise, the rotating measurement is activated.</p>		

p1911	Phases to be identified number / Ph to ident qty		
	Access level: 4	Calculated: -	Data type: Integer16
	Can be changed: T	Scaling: -	Dyn. index: -
	Units group: -	Unit selection: -	Func. diagram: -
	Min	Max	Factory setting
	1	3	1
Description:	Sets the number of phases to be identified.		
Value:	1: 1 phase U 2: 2 phases U, V 3: 3 phases U, V, W		
Note:	When identifying with several phases, the accuracy increases and also the time it takes to make the measurement.		
r1912[0...2]	Identified stator resistance / R_stator ident		
	Access level: 4	Calculated: -	Data type: FloatingPoint32
	Can be changed: -	Scaling: -	Dyn. index: -
	Units group: -	Unit selection: -	Func. diagram: -
	Min	Max	Factory setting
	- [ohm]	- [ohm]	- [ohm]
Description:	Displays the identified stator resistance.		
Index:	[0] = Phase U [1] = Phase V [2] = Phase W		
r1913[0...2]	Identified rotor time constant / T_rotor ident		
	Access level: 4	Calculated: -	Data type: FloatingPoint32
	Can be changed: -	Scaling: -	Dyn. index: -
	Units group: -	Unit selection: -	Func. diagram: -
	Min	Max	Factory setting
	- [ms]	- [ms]	- [ms]
Description:	Displays the identified rotor time constant.		
Index:	[0] = Phase U [1] = Phase V [2] = Phase W		
r1914[0...2]	Identified total leakage inductance / L_total_leak ident		
	Access level: 4	Calculated: -	Data type: FloatingPoint32
	Can be changed: -	Scaling: -	Dyn. index: -
	Units group: -	Unit selection: -	Func. diagram: -
	Min	Max	Factory setting
	- [mH]	- [mH]	- [mH]
Description:	Displays the identified total leakage inductance.		
Index:	[0] = Phase U [1] = Phase V [2] = Phase W		

r1915[0...2]	Identified nominal stator inductance / L_stator ident		
	Access level: 4	Calculated: -	Data type: FloatingPoint32
	Can be changed: -	Scaling: -	Dyn. index: -
	Units group: -	Unit selection: -	Func. diagram: -
	Min	Max	Factory setting
	- [mH]	- [mH]	- [mH]
Description:	Displays the nominal stator inductance identified.		
Index:	[0] = Phase U [1] = Phase V [2] = Phase W		
r1916[0...2]	Identified stator inductance 1 / L_stator 1 ident		
	Access level: 4	Calculated: -	Data type: FloatingPoint32
	Can be changed: -	Scaling: -	Dyn. index: -
	Units group: -	Unit selection: -	Func. diagram: -
	Min	Max	Factory setting
	- [mH]	- [mH]	- [mH]
Description:	Displays the nominal stator inductance identified for the 1st point of the saturation characteristic.		
Index:	[0] = Phase U [1] = Phase V [2] = Phase W		
r1917[0...2]	Identified stator inductance 2 / L_stator 2 ident		
	Access level: 4	Calculated: -	Data type: FloatingPoint32
	Can be changed: -	Scaling: -	Dyn. index: -
	Units group: -	Unit selection: -	Func. diagram: -
	Min	Max	Factory setting
	- [mH]	- [mH]	- [mH]
Description:	Displays the nominal stator inductance identified for the 2nd point of the saturation characteristic.		
Index:	[0] = Phase U [1] = Phase V [2] = Phase W		
r1918[0...2]	Identified stator inductance 3 / L_stator 3 ident		
	Access level: 4	Calculated: -	Data type: FloatingPoint32
	Can be changed: -	Scaling: -	Dyn. index: -
	Units group: -	Unit selection: -	Func. diagram: -
	Min	Max	Factory setting
	- [mH]	- [mH]	- [mH]
Description:	Displays the nominal stator inductance identified for the 3rd point of the saturation characteristic.		
Index:	[0] = Phase U [1] = Phase V [2] = Phase W		
r1919[0...2]	Identified stator inductance 4 / L_stator 4 ident		
	Access level: 4	Calculated: -	Data type: FloatingPoint32
	Can be changed: -	Scaling: -	Dyn. index: -
	Units group: -	Unit selection: -	Func. diagram: -
	Min	Max	Factory setting
	- [mH]	- [mH]	- [mH]
Description:	Displays the nominal stator inductance identified for the 4th point of the saturation characteristic.		
Index:	[0] = Phase U [1] = Phase V [2] = Phase W		

r1925[0...2]	Identified threshold voltage / U_threshold ident			
	Access level: 4	Calculated: -	Data type: FloatingPoint32	
	Can be changed: -	Scaling: -	Dyn. index: -	
	Units group: -	Unit selection: -	Func. diagram: -	
	Min	Max	Factory setting	
	- [Vrms]	- [Vrms]	- [Vrms]	
Description:	Displays the identified IGBT threshold voltage.			
Index:	[0] = Phase U [1] = Phase V [2] = Phase W			
r1926[0...2]	Identified effective valve lockout time / t_lock_valve id			
	Access level: 4	Calculated: -	Data type: FloatingPoint32	
	Can be changed: -	Scaling: -	Dyn. index: -	
	Units group: -	Unit selection: -	Func. diagram: -	
	Min	Max	Factory setting	
	- [µs]	- [µs]	- [µs]	
Description:	Displays the identified effective valve lockout time.			
Index:	[0] = Phase U [1] = Phase V [2] = Phase W			
r1927[0...2]	Identified rotor resistance / R_rotor ident			
	Access level: 4	Calculated: -	Data type: FloatingPoint32	
	Can be changed: -	Scaling: -	Dyn. index: -	
	Units group: -	Unit selection: -	Func. diagram: -	
	Min	Max	Factory setting	
	- [ohm]	- [ohm]	- [ohm]	
Description:	Displays identified rotor resistance (on separately excited synchronous motors: damping resistance).			
Index:	[0] = Phase U [1] = Phase V [2] = Phase W			
p1959[0...n]	Rotating measurement configuration / Rot meas config			
	Access level: 3	Calculated: p0340 = 1	Data type: Unsigned16	
	Can be changed: T	Scaling: -	Dyn. index: DDS, p0180	
	Units group: -	Unit selection: -	Func. diagram: -	
	Min	Max	Factory setting	
	-	-	0001 1111 bin	
Description:	Sets the configuration of the rotating measurement.			
Bit field:	Bit	Signal name	1 signal	0 signal
	00	Encoder test active	Yes	No
	01	Saturation characteristic identification	Yes	No
	02	Moment of inertia identification	Yes	No
	03	Re-calculates the speed controller parameters	Yes	No
	04	Speed controller optimization (vibration test)	Yes	No
Note:	The encoder is only tested if the rotating measurement with encoder is selected (p1960 = 2). The following parameters are influenced for the individual optimization steps: Bit 00: None Bit 01: p0320, p0360, p0362 ... p0369 Bit 02: p0341, p0342 Bit 03: p1400.0, p1458, p1459, p1460, p1462, p1463, p1470, p1472, p1496 Bit 04: Dependent on p1960 Bit 05: p0391, p0392, p0393, p1402.2 only for induction motors			

p1960 = 1, 3: p1458, p1459, p1470, p1472, p1496, p1400.0

p1960 = 2, 4: p1458, p1459, p1460, p1462, p1496, p1461, p1463

The identification of the q leakage inductance can only be carried out for unloaded motors or motors with a low load (load approx. 30% below the rated motor torque). Only then is a current controller adaptation (p0391 ... p0393) parameterized if the q-leakage inductance under no-load conditions is at least 30 % higher than the total leakage inductance (p0356, p0358).

p1960

Rotating measurement selection / Rot meas sel

Access level: 2	Calculated: -	Data type: Integer16
Can be changed: T	Scaling: -	Dyn. index: -
Units group: -	Unit selection: -	Func. diagram: -
Min	Max	Factory setting
0	4	0

Description:

Sets the rotating measurement.
 The rotating measurement is carried out after the next power-on command.
 The setting possibilities of the parameter depend on the open-loop/closed-loop control mode (p1300).
 p1300 < 20 (U/f open-loop control):
 It is not possible to select rotating measurement or speed controller optimization.
 p1300 = 20, 22 (encoderless operation):
 Only rotating measurement or speed controller optimization can be selected in the encoderless mode.
 p1300 = 21, 23 (operation with encoder):
 Both versions (encoderless and with encoder) of the rotating measurement and speed controller optimization can be selected.

Value:

- 0: Inhibited
- 1: Rotating measurement in encoderless operation
- 2: Rotating measurement with encoder
- 3: Speed controller optimization in encoderless operation
- 4: Speed controller optimization with encoder

Dependency:

Before the rotating measurement is carried out, the motor data identification routine (p1900, p1910, r3925) should have already been done.
 When selecting the rotating measurement, the drive data set changeover is suppressed.
 Refer to: p1300, p1900, p1959, p1967, r1968

Danger:



For drives with a mechanical system that limits the distance moved, it must be ensured that this is not reached during the rotating measurement. If this is not the case, then it is not permissible that the measurement is carried out.

Notice:

If there is a motor holding brake, it must be open (p1215 = 2).
 To permanently accept the determined settings they must be saved in a non-volatile fashion (p0971).
 During the rotating measurement it is not possible to save the parameter (p0971).

Note:

When the rotating measurement is activated, it is not possible to save the parameters (p0971).
 Parameter changes are automatically made for the rotating measurement (e.g. p1120); this is the reason that up to the end of the measurement, and if no faults are present, no manual changes should be made.
 The ramp-up and ramp-down times (p1120, p1121) are limited, for the rotating measurement, to 900 s.
 For speed controller optimization with encoder (p1960 = 2, 4), the speed controller for encoderless operation is also pre-assigned (p1470, p1472).
 Depending on whether the speed controller optimization is carried out with or without encoder, different Kp/Tn adaptations of the speed controller are set (p1464, p1465). If the drive should be controlled with as well as without speed encoder, then we recommend the use of two drive data sets (p0180). These can then be executed with different speed controller adaptations.

p1961

Saturation characteristic speed to determine / Sat_char n determ

Access level: 3	Calculated: -	Data type: FloatingPoint32
Can be changed: U, T	Scaling: -	Dyn. index: -
Units group: -	Unit selection: -	Func. diagram: -
Min	Max	Factory setting
26 [%]	75 [%]	40 [%]

Description:

Sets the speed to determine the saturation characteristic.
 The percentage value is referred to p0310 (rated motor frequency).

Dependency: Refer to: p0310, p1959
Note: The saturation characteristics should be determined at an operating point with the lowest possible load.

p1965	Speed_ctrl_opt speed / n_opt speed		
	Access level: 3	Calculated: -	Data type: FloatingPoint32
	Can be changed: U, T	Scaling: -	Dyn. index: -
	Units group: -	Unit selection: -	Func. diagram: -
	Min	Max	Factory setting
	10 [%]	75 [%]	40 [%]
Description:	Sets the speed for the identification of the moment of inertia and the vibration test. Induction motor: The percentage value is referred to p0310 (rated motor frequency). Synchronous motor: The percentage value is referred to the minimum from p0310 (rated motor frequency) and p1082 (maximum speed).		
Dependency:	Refer to: p0310, p1959		
Note:	In order to calculate the inertia, sudden speed changes are carried out - the specified value corresponds to the lower speed setpoint. This value is increased by 20 % for the upper speed value. The q leakage inductance (refer to p1959.5) is determined at zero speed and at 50 % of p1965 - however, with a maximum output frequency of 15 Hz and at a minimum of 10% of the rated motor speed.		

p1967	Speed_ctrl_opt dynamic factor / n_opt dyn_factor		
	Access level: 3	Calculated: p0340 = 1	Data type: FloatingPoint32
	Can be changed: U, T	Scaling: -	Dyn. index: -
	Units group: -	Unit selection: -	Func. diagram: -
	Min	Max	Factory setting
	1 [%]	400 [%]	100 [%]
Description:	Sets the dynamic response factor for speed controller optimization. After optimization, the dynamic response achieved is displayed in r1968.		
Dependency:	Refer to: p1959, r1968		
Note:	For a rotating measurement, this parameter can be used to optimize the speed controller. p1967 = 100 % --> speed controller optimization according to a symmetric optimum. p1967 > 100 % --> optimization with a higher dynamic response (Kp higher, Tn lower). If the actual dynamic response (see r1968) is significantly reduced with respect to the required dynamic response (p1967), then this can be as a result of mechanical load oscillations. If, in spite of this load behavior, a higher dynamic response is required, then the oscillation test (p1959.4 = 0) should be deactivated and the measurement repeated.		

r1968	Speed_ctrl_opt dynamic factor actual / n_opt dyn_fact act		
	Access level: 3	Calculated: -	Data type: FloatingPoint32
	Can be changed: -	Scaling: -	Dyn. index: -
	Units group: -	Unit selection: -	Func. diagram: -
	Min	Max	Factory setting
	- [%]	- [%]	- [%]
Description:	Displays the dynamic factor which is actually achieved for the vibration test		
Dependency:	Refer to: p1959, p1967		
Note:	This dynamic factor only refers to the control mode of the speed controller set in p1960.		

r1969	Speed_ctrl_opt moment of inertia determined / n_opt M_inert det		
	Access level: 4	Calculated: -	Data type: FloatingPoint32
	Can be changed: -	Scaling: -	Dyn. index: -
	Units group: 25_1	Unit selection: p0100	Func. diagram: -
	Min	Max	Factory setting
	- [kgm ²]	- [kgm ²]	- [kgm ²]
Description:	Displays the determined moment of inertia of the drive. After it has been determined, the value is transferred to p0341, p0342.		

2 Parameters

2.2 List of parameters

Dependency: IEC drives (p0100 = 0): unit kg m²
 NEMA drives (p0100 = 1): unit lb ft²
 Refer to: p0341, p0342, p1959

r1970[0...1] Speed_ctrl_opt vibration test vibration frequency determined / n_opt f_vib det

Access level: 4	Calculated: -	Data type: FloatingPoint32
Can be changed: -	Scaling: -	Dyn. index: -
Units group: -	Unit selection: -	Func. diagram: -
Min	Max	Factory setting
- [Hz]	- [Hz]	- [Hz]

Description: Displays the vibration frequencies determined by the vibration test.

Index: [0] = Frequency low
 [1] = Frequency high

Dependency: Refer to: p1959

r1973 Rotating measurement encoder test pulse number determined / n_opt puls no. det

Access level: 3	Calculated: -	Data type: Integer32
Can be changed: -	Scaling: -	Dyn. index: -
Units group: -	Unit selection: -	Func. diagram: -
Min	Max	Factory setting
-	-	-

Description: Displays the number of pulses determined during the vibration test.

Note: A negative signal indicates an incorrect polarity of the encoder signal.

p1974 Speed_ctrl_opt saturation characteristic rotor flux maximum / n_opt rot_fl max

Access level: 4	Calculated: p0340 = 1	Data type: FloatingPoint32
Can be changed: U, T	Scaling: -	Dyn. index: -
Units group: -	Unit selection: -	Func. diagram: -
Min	Max	Factory setting
104 [%]	120 [%]	120 [%]

Description: Sets the maximum flux setpoint to measure the saturation characteristic.


r1979.0...12 BO: Speed_ctrl_opt status / n_opt status

Access level: 4	Calculated: -	Data type: Unsigned16
Can be changed: -	Scaling: -	Dyn. index: -
Units group: -	Unit selection: -	Func. diagram: -
Min	Max	Factory setting
-	-	-

Description: Displays the status to check and monitor the states of speed controller optimization.

Bit field:	Bit	Signal name	1 signal	0 signal	FP
	00	Speed controller optimization activated	Yes	No	-
	01	Speed controller optimization completed	Yes	No	-
	02	Speed controller optimization interrupted	Yes	No	-
	04	Encoder test active	Yes	No	-
	05	Saturation char. identification active	Yes	No	-
	06	Moment of inertia identification active	Yes	No	-
	07	Recalc. speed controller parameters active	Yes	No	-
	08	Speed controller vibration test active	Yes	No	-
	09	Magnetizing inductance adapt. active	Yes	No	-
	10	Operation with encoder after encoderless operation	Yes	No	-
	11	q-leakage inductance identification	Yes	No	-
	12	Moment of inertia estimator inhibited	Yes	no	-

p1980[0...n]	PolID technique / PolID technique		
	Access level: 3	Calculated: p0340 = 1,3	Data type: Integer16
	Can be changed: U, T	Scaling: -	Dyn. index: MDS
	Units group: -	Unit selection: -	Func. diagram: -
	Min	Max	Factory setting
	1	10	4
Description:	Sets the pole position identification technique. p1980 = 1, 8: The current magnitude is set using p0329. p1980 = 4, 6: The current magnitude of the first measurement section is set using p0325, the second using p0329. p1980 = 10: The rated motor current is impressed to align. The current magnitudes are limited to the rated power unit values.		
Value:	1: Voltage pulsing 1st harmonics 4: Voltage pulsing 2-stage 6: Voltage pulsing 2-stage inverse 8: Voltage pulsing 2nd harmonic, inverse 10: DC current injection		
Dependency:	When commissioning a catalog motor, the technique is automatically selected depending on the motor type being used. Refer to: p0325, p0329, p1780		
Note:	Voltage pulse technique (p1980 = 1, 4) cannot be applied to operation with sine-wave output filters (p0230). For 1FK7 motors, the following applies: A two-stage technique may not be used (do not use p1980 = 4). The automatically set value in p0329 should not be changed.		
r1984	PolID angular difference / PolID ang diff		
	Access level: 4	Calculated: -	Data type: FloatingPoint32
	Can be changed: -	Scaling: -	Dyn. index: -
	Units group: -	Unit selection: -	Func. diagram: -
	Min	Max	Factory setting
	- [°]	- [°]	- [°]
Description:	Displays the angular difference between the actual electrical commutation angle and the angle determined by the pole position identification.		
Dependency:	Refer to: p0325, p0329, p1980, r1985, r1987		
Note:	When the pole position identification routine is executed several times, the spread of the measured values can be determined using this value. At the same position, the spread should be less than 2 degrees electrical.		
r1985	PolID saturation curve / PolID sat_char		
	Access level: 4	Calculated: -	Data type: FloatingPoint32
	Can be changed: -	Scaling: -	Dyn. index: -
	Units group: -	Unit selection: -	Func. diagram: -
	Min	Max	Factory setting
	- [Arms]	- [Arms]	- [Arms]
Description:	Displays the saturation characteristic of the pole position identification routine (saturation technique). Displays the current characteristic of the pole position identification routine (elasticity technique).		
Dependency:	Refer to: p0325, p0329, p1980, r1984, r1987		
Note:	PolID: Pole position identification Regarding the saturation technique: The values for the characteristic of the last saturation-based pole position identification routine are output every 1 ms in order to record signals (e.g. trace).		

r1987	PoIID trigger characteristic / PoIID trig_char		
	Access level: 4	Calculated: -	Data type: FloatingPoint32
	Can be changed: -	Scaling: -	Dyn. index: -
	Units group: -	Unit selection: -	Func. diagram: -
	Min	Max	Factory setting
	- [%]	- [%]	- [%]
Description:	Displays the trigger characteristic of the pole position identification routine. The values for the characteristic of the last pole position identification routine are output every 1 ms in order to record signals (e.g. trace). The values for trigger characteristic and saturation characteristic are always output in synchronism from a time perspective.		
Dependency:	Refer to: p0325, p0329, p1980, r1984, r1985		
Note:	PoIID: Pole position identification The following information and data can be taken from the trigger characteristic. - the value -100% marks the angle at the start of the measurement. - the value +100 % marks the commutation angle determined from the pole position identification routine.		
p1999[0...n]	Ang. commutation offset calibr. and PoIID scaling / Com_ang_offs scal		
	Access level: 4	Calculated: -	Data type: FloatingPoint32
	Can be changed: U, T	Scaling: -	Dyn. index: MDS, p0130
	Units group: -	Unit selection: -	Func. diagram: -
	Min	Max	Factory setting
	10 [%]	5000 [%]	100 [%]
Description:	Sets the scaling for the runtime of the pole position identification technique in which the current is injected.		
Dependency:	Refer to: p0341, p0342		
Caution:	For p1999 > 100 % (setting large moments of inertia) the following applies: There is no locked rotor monitoring (F07970 fault value 2).		
			
Note:	For high moments of inertia, it is practical to scale the runtime of the calibration higher.		
p2000	Reference speed reference frequency / n_ref f_ref		
	Access level: 2	Calculated: p0340 = 1	Data type: FloatingPoint32
	Can be changed: T	Scaling: -	Dyn. index: -
	Units group: -	Unit selection: -	Func. diagram: -
	Min	Max	Factory setting
	6.00 [rpm]	210000.00 [rpm]	1500.00 [rpm]
Description:	Sets the reference quantity for speed and frequency. All speeds or frequencies specified as relative value are referred to this reference quantity. The reference quantity corresponds to 100% or 4000 hex (word) or 4000 0000 hex (double word). The following applies: Reference frequency (in Hz) = reference speed (in ((rpm) / 60) x pole pair number)		
Dependency:	This parameter is only updated during the automatic calculation (p0340 = 1, p3900 > 0) if motor commissioning was carried out beforehand for drive data set zero. This means that the parameter is not locked against overwriting using p0573 = 1. Refer to: p2001, p2002, p2003, r2004, r3996		
Notice:	When the reference speed / reference frequency is changed, short-term communication interruptions may occur.		
Note:	If a BICO interconnection is established between different physical quantities, then the particular reference quantities are used as internal conversion factor. Example 1: The signal of an analog input (e.g. r0755[0]) is connected to a speed setpoint (e.g. p1070[0]). The actual percentage input value is cyclically converted into the absolute speed setpoint using the reference speed (p2000). Example 2: The setpoint from PROFIBUS (r2050[1]) is connected to a speed setpoint (e.g. p1070[0]). The actual input value is cyclically converted into a percentage value via the pre-specified scaling 4000 hex. This percentage value is converted to the absolute speed setpoint via reference speed (p2000).		

p2001	Reference voltage / Reference voltage		
	Access level: 3	Calculated: p0340 = 1	Data type: FloatingPoint32
	Can be changed: T	Scaling: -	Dyn. index: -
	Units group: -	Unit selection: -	Func. diagram: -
	Min	Max	Factory setting
	10 [Vrms]	100000 [Vrms]	1000 [Vrms]
Description:	Sets the reference quantity for voltages. All voltages specified as relative value are referred to this reference quantity. This also applies for direct voltage values (= rms value) like the DC-link voltage. The reference quantity corresponds to 100% or 4000 hex (word) or 4000 0000 hex (double word). Note: This reference quantity also applies to direct voltage values. It is not interpreted as rms value, but as DC voltage value.		
Dependency:	p2001 is only updated during automatic calculation (p0340 = 1, p3900 > 0) if motor commissioning has been carried out first for drive data set zero and as a result overwriting of the parameter has not been blocked by setting p0573 = 1. Refer to: r3996		
Notice:	When the reference voltage is changed, short-term communication interruptions may occur.		
Note:	If a BICO interconnection is established between different physical quantities, then the particular reference quantities are used as internal conversion factor. For infeed units, the parameterized device supply voltage (p0210) is pre-assigned as the reference quantity. Example: The actual value of the DC link voltage (r0070) is connected to a test socket (e.g. p0771[0]). The actual voltage value is cyclically converted into a percentage of the reference voltage (p2001) and output according to the parameterized scaling.		
p2002	Reference current / I_ref		
	Access level: 3	Calculated: p0340 = 1	Data type: FloatingPoint32
	Can be changed: T	Scaling: -	Dyn. index: -
	Units group: -	Unit selection: -	Func. diagram: -
	Min	Max	Factory setting
	0.10 [Arms]	100000.00 [Arms]	100.00 [Arms]
Description:	Sets the reference quantity for currents. All currents specified as relative value are referred to this reference quantity. The reference quantity corresponds to 100% or 4000 hex (word) or 4000 0000 hex (double word).		
Dependency:	This parameter is only updated during the automatic calculation (p0340 = 1, p3900 > 0) if motor commissioning was carried out beforehand for drive data set zero. This means that the parameter is not locked against overwriting using p0573 = 1. Refer to: r3996		
Notice:	If various DDS are used with different motor data, then the reference quantities remain the same as these are not changed over with the DDS. The resulting conversion factor must be taken into account. Example: p2002 = 100 A Reference quantity 100 A corresponds to 100 % p0305[0] = 100 A Rated motor current 100 A for MDS0 in DDS0 --> 100 % corresponds to 100 % of the rated motor current p0305[1] = 50 A Rated motor current 50 A for MDS1 in DDS1 --> 100 % corresponds to 200 % of the rated motor current When the reference current is changed, short-term communication interruptions may occur.		
Note:	Preassigned value is p0640. If a BICO interconnection is established between different physical quantities, then the particular reference quantities are used as internal conversion factor. For infeed units, the rated line current, which is obtained from the rated power and parameterized rated line supply voltage (p2002 = r0206 / p0210 / 1.73) is pre-assigned as the reference quantity.		

2 Parameters

2.2 List of parameters

Example:

The actual value of a phase current (r0069[0]) is connected to a test socket (e.g. p0771[0]). The actual current value is cyclically converted into a percentage of the reference current (p2002) and output according to the parameterized scaling.

p2003	Reference torque / M_ref		
	Access level: 3	Calculated: p0340 = 1	Data type: FloatingPoint32
	Can be changed: T	Scaling: -	Dyn. index: -
	Units group: 7_2	Unit selection: p0505	Func. diagram: -
	Min	Max	Factory setting
	0.01 [Nm]	20000000.00 [Nm]	1.00 [Nm]
Description:	Sets the reference quantity for torque. All torques specified as relative value are referred to this reference quantity. The reference quantity corresponds to 100% or 4000 hex (word) or 4000 0000 hex (double word).		
Dependency:	This parameter is only updated during the automatic calculation (p0340 = 1, p3900 > 0) if motor commissioning was carried out beforehand for drive data set zero. This means that the parameter is not locked against overwriting using p0573 = 1. Refer to: r3996		
Notice:	When the reference torque is changed, short-term communication interruptions may occur.		
Note:	Preassigned value is 2 * p0333. If a BICO interconnection is established between different physical quantities, then the particular reference quantities are used as internal conversion factor. Example: The actual value of the total torque (r0079) is connected to a test socket (e.g. p0771[0]). The actual torque is cyclically converted into a percentage of the reference torque (p2003) and output according to the parameterized scaling.		

r2004	Reference power / P_ref		
	Access level: 3	Calculated: -	Data type: FloatingPoint32
	Can be changed: -	Scaling: -	Dyn. index: -
	Units group: 14_10	Unit selection: p0505	Func. diagram: -
	Min	Max	Factory setting
	- [kW]	- [kW]	- [kW]
Description:	Displays the reference quantity for power. All power ratings specified as relative value are referred to this reference quantity. The reference quantity corresponds to 100% or 4000 hex (word) or 4000 0000 hex (double word).		
Dependency:	This value is calculated as follows: Infeed: Calculated from voltage times current. Closed-loop control: Calculated from torque times speed. Refer to: p2000, p2001, p2002, p2003		
Note:	If a BICO interconnection is established between different physical quantities, then the particular reference quantities are used as internal conversion factor. The reference power is calculated as follows: - 2 * Pi * reference speed / 60 * reference torque (motor) - reference voltage * reference current * root(3) (infeed)		

p2005	Reference angle / Reference angle		
	Access level: 4	Calculated: p0340 = 1	Data type: FloatingPoint32
	Can be changed: T	Scaling: -	Dyn. index: -
	Units group: -	Unit selection: -	Func. diagram: -
	Min	Max	Factory setting
	90.00 [°]	180.00 [°]	90.00 [°]
Description:	Sets the reference quantity for angle. All angles specified as relative value are referred to this reference quantity. The reference quantity corresponds to 100% or 4000 hex (word) or 4000 0000 hex (double word).		

Dependency: This parameter is only updated during the automatic calculation (p0340 = 1, p3900 > 0) if motor commissioning was carried out beforehand for drive data set zero. This means that the parameter is not locked against overwriting using p0573 = 1.

Note: If a BICO interconnection is established between different physical quantities, then the particular reference quantities are used as internal conversion factor.

p2006	Reference temp / Ref temp		
	Access level: 3	Calculated: p0340 = 1	Data type: FloatingPoint32
	Can be changed: T	Scaling: -	Dyn. index: -
	Units group: -	Unit selection: -	Func. diagram: -
	Min	Max	Factory setting
	50.00 [°C]	300.00 [°C]	100.00 [°C]

Description: Sets the reference quantity for temperature.
All temperatures specified as relative value are referred to this reference quantity.
The reference quantity corresponds to 100% or 4000 hex (word) or 4000 0000 hex (double word).

p2007	Reference acceleration / a_ref		
	Access level: 4	Calculated: p0340 = 1	Data type: FloatingPoint32
	Can be changed: T	Scaling: -	Dyn. index: -
	Units group: -	Unit selection: -	Func. diagram: -
	Min	Max	Factory setting
	0.01 [rev/s ²]	500000.00 [rev/s ²]	0.01 [rev/s ²]

Description: Sets the reference quantity for acceleration rates.
All acceleration rates specified as relative value are referred to this reference quantity.
The reference quantity corresponds to 100% or 4000 hex (word) or 4000 0000 hex (double word).

Dependency: This parameter is only updated during the automatic calculation (p0340 = 1, p3900 > 0) if motor commissioning was carried out beforehand for drive data set zero. This means that the parameter is not locked against overwriting using p0573 = 1.

Note: If a BICO interconnection is established between different physical quantities, then the particular reference quantities are used as internal conversion factor.
The reference acceleration is calculated as follows:
p2007 = p2000 / 1 [s]

p2010	Comm IF baud rate / Comm baud		
	Access level: 3	Calculated: -	Data type: Integer16
	Can be changed: T	Scaling: -	Dyn. index: -
	Units group: -	Unit selection: -	Func. diagram: -
	Min	Max	Factory setting
	6	12	12

Description: Sets the baud rate for the commissioning interface (USS, RS232).

Value:

6:	9600 baud
7:	19200 baud
8:	38400 baud
9:	57600 baud
10:	76800 baud
11:	93750 baud
12:	115200 baud

Note: COMM-IF: Commissioning interface
The parameter is not influenced by setting the factory setting.

2 Parameters

2.2 List of parameters

p2011	Comm IF address / Comm add		
	Access level: 3	Calculated: -	Data type: Unsigned16
	Can be changed: T	Scaling: -	Dyn. index: -
	Units group: -	Unit selection: -	Func. diagram: -
	Min	Max	Factory setting
	0	31	2
Description:	Sets the address for the commissioning interface (USS, RS232).		
Note:	The parameter is not influenced by setting the factory setting.		

p2016[0...3]	CI: Comm IF USS PZD send word / Comm USS send word		
	Access level: 3	Calculated: -	Data type: U32 / Integer16
	Can be changed: U, T	Scaling: 4000H	Dyn. index: -
	Units group: -	Unit selection: -	Func. diagram: -
	Min	Max	Factory setting
	-	-	0
Description:	Selects the PZD (actual values) to be sent via the commissioning interface USS. The actual values are displayed on an intelligent operator panel (IOP).		
Index:	[0] = PZD 1 [1] = PZD 2 [2] = PZD 3 [3] = PZD 4		

r2019[0...7]	Comm IF error statistics / Comm err		
	Access level: 4	Calculated: -	Data type: Unsigned32
	Can be changed: -	Scaling: -	Dyn. index: -
	Units group: -	Unit selection: -	Func. diagram: -
	Min	Max	Factory setting
	-	-	-
Description:	Displays the receive errors at the commissioning interface (USS, RS232).		
Index:	[0] = Number of error-free telegrams [1] = Number of rejected telegrams [2] = Number of framing errors [3] = Number of overrun errors [4] = Number of parity errors [5] = Number of starting character errors [6] = Number of checksum errors [7] = Number of length errors		

p2020	Field bus interface baud rate / Field bus baud		
CU250S_V	Access level: 2	Calculated: -	Data type: Integer16
	Can be changed: T	Scaling: -	Dyn. index: -
	Units group: -	Unit selection: -	Func. diagram: 9310
	Min	Max	Factory setting
	4	13	8
Description:	Sets the baud rate for the field bus interface (RS485).		
Value:	4: 2400 baud 5: 4800 baud 6: 9600 baud 7: 19200 baud 8: 38400 baud 9: 57600 baud 10: 76800 baud 11: 93750 baud 12: 115200 baud 13: 187500 baud		

- Notice:** For p0014 = 1, the following applies:
After the value has been modified, no further parameter modifications can be made and the status is shown in r3996. Modifications can be made again when r3996 = 0.
For p0014 = 0, the following applies:
Before a changed setting becomes permanently effective, a non-volatile RAM to ROM data save is required. To do this, set p0971 = 1 or p0014 = 1.
- Note:** Fieldbus IF: Fieldbus interface
Changes only become effective after POWER ON.
The parameter is not influenced by setting the factory setting.
The parameter is set to the factory setting when the protocol is reselected.
When p2030 = 1 (USS), the following applies:
Min./max./factory setting: 4/13/8
When p2030 = 2 (MODBUS), the following applies:
Min./max./factory setting: 5/13/7

p2021	Field bus interface address / Field bus address		
CU250S_V	Access level: 2	Calculated: -	Data type: Unsigned16
	Can be changed: T	Scaling: -	Dyn. index: -
	Units group: -	Unit selection: -	Func. diagram: 9310
	Min	Max	Factory setting
	0	247	0
Description:	Displays or sets the address for the fieldbus interface (RS485). The address can be set as follows: 1) Using the address switch on the Control Unit. --> p2021 displays the address setting. --> A change only becomes effective after a POWER ON. 2) Using p2021 --> Only if an address of 0 or an address that is invalid for the fieldbus selected in p2030 has been set using the address switch. --> The address is saved in a non-volatile fashion using the function "copy from RAM to ROM". --> A change only becomes effective after a POWER ON.		
Dependency:	Refer to: p2030		
Notice:	For p0014 = 1, the following applies: After the value has been modified, no further parameter modifications can be made and the status is shown in r3996. Modifications can be made again when r3996 = 0. For p0014 = 0, the following applies: Before a changed setting becomes permanently effective, a non-volatile RAM to ROM data save is required. To do this, set p0971 = 1 or p0014 = 1.		
Note:	Changes only become effective after POWER ON. The parameter is not influenced by setting the factory setting. The parameter is set to the factory setting when the protocol is reselected. When p2030 = 1 (USS), the following applies: Min./max./factory setting: 0/30/0 When p2030 = 2 (MODBUS), the following applies: Min./max./factory setting: 1/247/1		

p2022	Field bus int USS PZD no. / Field bus USS PZD		
CU250S_V	Access level: 2	Calculated: -	Data type: Unsigned16
	Can be changed: T	Scaling: -	Dyn. index: -
	Units group: -	Unit selection: -	Func. diagram: 9310
	Min	Max	Factory setting
	0	8	2
Description:	Sets the number of 16-bit words in the PZD part of the USS telegram for the field bus interface.		
Dependency:	Refer to: p2030		
Note:	The parameter is not influenced by setting the factory setting.		

2 Parameters

2.2 List of parameters

p2023	Field bus int USS PKW no. / Field bus USS PKW		
CU250S_V	Access level: 2	Calculated: -	Data type: Integer16
	Can be changed: T	Scaling: -	Dyn. index: -
	Units group: -	Unit selection: -	Func. diagram: 9310
	Min	Max	Factory setting
	0	127	127
Description:	Sets the number of 16-bit words in the PKW part of the USS telegram for the field bus interface.		
Value:	0: PKW 0 words 3: PKW 3 words 4: PKW 4 words 127: PKW variable		
Dependency:	Refer to: p2030		
Note:	The parameter is not influenced by setting the factory setting.		

p2024[0...2]	Fieldbus interface times / Fieldbus times		
CU250S_V	Access level: 3	Calculated: -	Data type: FloatingPoint32
	Can be changed: U, T	Scaling: -	Dyn. index: -
	Units group: -	Unit selection: -	Func. diagram: 9310
	Min	Max	Factory setting
	0 [ms]	10000 [ms]	[0] 1000 [ms] [1] 0 [ms] [2] 0 [ms]
Description:	Sets the time values for the fieldbus interface. The following applies for MODBUS: p2024[0]: Maximum permissible telegram processing time of the MODBUS slave in which a reply is sent back to the MODBUS master. p2024[1]: Not relevant. p2024[2]: Telegram pause time (pause time between two telegrams).		
Index:	[0] = Max. processing time [1] = Character delay time [2] = Telegram pause time		
Dependency:	Refer to: p2020, p2030		
Note:	Re p2024[2] (MODBUS): If the field bus baud rate is changed (p2020), the default time setting is restored. The default setting corresponds to a time of 3.5 characters (dependent on the baud rate that has been set).		

r2029[0...7]	Field bus int error statistics / Field bus error		
CU250S_V	Access level: 3	Calculated: -	Data type: Unsigned32
	Can be changed: -	Scaling: -	Dyn. index: -
	Units group: -	Unit selection: -	Func. diagram: 9310
	Min	Max	Factory setting
	-	-	-
Description:	Displays the receive errors on the field bus interface (RS485).		
Index:	[0] = Number of error-free telegrams [1] = Number of rejected telegrams [2] = Number of framing errors [3] = Number of overrun errors [4] = Number of parity errors [5] = Number of starting character errors [6] = Number of checksum errors [7] = Number of length errors		

p2030	Field bus int protocol selection / Field bus protocol		
CU250S_V	Access level: 1	Calculated: -	Data type: Integer16
	Can be changed: T	Scaling: -	Dyn. index: -
	Units group: -	Unit selection: -	Func. diagram: 9310
	Min	Max	Factory setting
	0	2	0
Description:	Sets the communication protocol for the field bus interface.		
Value:	0: No protocol 1: USS 2: MODBUS		
Notice:	For p0014 = 1, the following applies: After the value has been modified, no further parameter modifications can be made and the status is shown in r3996. Modifications can be made again when r3996 = 0.		
Note:	Changes only become effective after POWER ON. The parameter is not influenced by setting the factory setting.		

p2030	Field bus int protocol selection / Field bus protocol		
CU250S_V_CAN	Access level: 1	Calculated: -	Data type: Integer16
	Can be changed: T	Scaling: -	Dyn. index: -
	Units group: -	Unit selection: -	Func. diagram: 9310
	Min	Max	Factory setting
	0	4	4
Description:	Sets the communication protocol for the field bus interface.		
Value:	0: No protocol 4: CAN		
Notice:	For p0014 = 1, the following applies: After the value has been modified, no further parameter modifications can be made and the status is shown in r3996. Modifications can be made again when r3996 = 0.		
Note:	Changes only become effective after POWER ON. The parameter is not influenced by setting the factory setting.		

p2030	Field bus int protocol selection / Field bus protocol		
CU250S_V_DP	Access level: 1	Calculated: -	Data type: Integer16
	Can be changed: T	Scaling: -	Dyn. index: -
	Units group: -	Unit selection: -	Func. diagram: 9310
	Min	Max	Factory setting
	0	3	3
Description:	Sets the communication protocol for the field bus interface.		
Value:	0: No protocol 3: PROFIBUS		
Notice:	For p0014 = 1, the following applies: After the value has been modified, no further parameter modifications can be made and the status is shown in r3996. Modifications can be made again when r3996 = 0.		
Note:	Changes only become effective after POWER ON. The parameter is not influenced by setting the factory setting.		

p2030	Field bus int protocol selection / Field bus protocol		
CU250S_V_PN	Access level: 1	Calculated: -	Data type: Integer16
	Can be changed: T	Scaling: -	Dyn. index: -
	Units group: -	Unit selection: -	Func. diagram: 9310
	Min	Max	Factory setting
	0	10	7
Description:	Sets the communication protocol for the field bus interface.		
Value:	0: No protocol 7: PROFINET 10: Ethernet/IP		
Notice:	For p0014 = 1, the following applies: After the value has been modified, no further parameter modifications can be made and the status is shown in r3996. Modifications can be made again when r3996 = 0.		
Note:	Changes only become effective after POWER ON. The parameter is not influenced by setting the factory setting.		

r2032	Master control control word effective / PcCtrl STW eff				
	Access level: 3	Calculated: -	Data type: Unsigned16		
	Can be changed: -	Scaling: -	Dyn. index: -		
	Units group: -	Unit selection: -	Func. diagram: -		
	Min	Max	Factory setting		
	-	-	-		
Description:	Displays the effective control word 1 (STW1) of the drive for the master control.				
Bit field:	Bit	Signal name	1 signal	0 signal	FP
	00	ON/OFF1	Yes	No	-
	01	OC / OFF2	Yes	No	-
	02	OC / OFF3	Yes	No	-
	03	Operation enable	Yes	No	-
	04	Ramp-function generator enable	Yes	No	-
	05	Start ramp-function generator	Yes	No	-
	06	Speed setpoint enable	Yes	No	-
	07	Acknowledge fault	Yes	No	-
	08	Jog bit 0	Yes	No	3030
	09	Jog bit 1	Yes	No	3030
	10	Master ctrl by PLC	Yes	No	-
Notice:	The master control only influences control word 1 and speed setpoint 1. Other control words/setpoints can be transferred from another automation device.				
Note:	OC: Operating condition				

p2037	PROFIdrive STW1.10 = 0 mode / PD STW1.10=0		
CU250S_V_DP	Access level: 3	Calculated: -	Data type: Integer16
CU250S_V_PN	Can be changed: T	Scaling: -	Dyn. index: -
	Units group: -	Unit selection: -	Func. diagram: -
	Min	Max	Factory setting
	0	2	0
Description:	Sets the processing mode for PROFIdrive STW1.10 "master control by PLC". Generally, control word 1 is received with the first receive word (PZD1) (this is in conformance to the PROFIdrive profile). The behavior of STW1.10 = 0 corresponds to that of the PROFIdrive profile. For other applications that deviate from this, the behavior can be adapted using this particular parameter.		
Value:	0: Freeze setpoints and continue to process sign-of-life 1: Freeze setpoints and sign-of-life 2: Do not freeze setpoints		
Recommend.:	Do not change the setting p2037 = 0.		
Note:	If the STW1 is not transferred according to the PROFIdrive with PZD1 (with bit 10 "master control by PLC"), then p2037 should be set to 2.		

p2038	PROFIdrive STW/ZSW interface mode / PD STW/ZSW IF mode		
	Access level: 3	Calculated: -	Data type: Integer16
	Can be changed: T	Scaling: -	Dyn. index: -
	Units group: -	Unit selection: -	Func. diagram: -
	Min	Max	Factory setting
	0	2	0
Description:	Sets the interface mode of the PROFIdrive control words and status words. When selecting a telegram via p0922 (p2079), this parameter influences the device-specific assignment of the bits in the control and status words.		
Value:	0: SINAMICS 2: VIK-NAMUR		
Dependency:	Refer to: p0922, p2079		
Notice:	The parameter may be protected as a result of p0922 or p2079 and cannot be changed.		
Note:	- For p0922 (p2079) = 1, 350 ... 999, p2038 is automatically set to 0. - For p0922 (p2079) = 20, p2038 is automatically set to 2. It is not then possible to change p2038.		
p2039	Select debug monitor interface / Debug monit select		
	Access level: 4	Calculated: -	Data type: Unsigned16
	Can be changed: U, T	Scaling: -	Dyn. index: -
	Units group: -	Unit selection: -	Func. diagram: -
	Min	Max	Factory setting
	0	3	0
Description:	The serial interface for the debug monitor is COM1 (commissioning interface, RS232) or COM2 (fieldbus interface, RS485). Value = 0: De-activated Value = 1: COM1, commissioning protocol is de-activated Value = 2: COM2, field bus is de-activated Value = 3: Reserved		
Note:	Value = 2 is only possible for Control Units with RS485 as a field bus interface.		
p2040	Fieldbus interface monitoring time / Fieldbus t_monit		
CU250S_V	Access level: 3	Calculated: -	Data type: FloatingPoint32
CU250S_V_PN	Can be changed: U, T	Scaling: -	Dyn. index: -
	Units group: -	Unit selection: -	Func. diagram: 9310
	Min	Max	Factory setting
	0 [ms]	1999999 [ms]	100 [ms]
Description:	Sets the monitoring time to monitor the process data received via the fieldbus interface. If no process data is received within this time, then an appropriate message is output.		
Note:	p2040 = 0: Monitoring is de-activated.		
p2042	PROFIBUS Ident Number / PB Ident No.		
CU250S_V_DP	Access level: 3	Calculated: -	Data type: Integer16
	Can be changed: T	Scaling: -	Dyn. index: -
	Units group: -	Unit selection: -	Func. diagram: -
	Min	Max	Factory setting
	0	1	0
Description:	Sets the PROFIBUS Ident Number (PNO-ID). SINAMICS can be operated with various identities on PROFIBUS. This allows the use of a PROFIBUS GSD that is independent of the device (e.g. PROFIdrive VIK-NAMUR with Ident Number 3AA0 hex).		
Value:	0: SINAMICS 1: VIK-NAMUR		

2 Parameters

2.2 List of parameters

Notice: For p0014 = 1, the following applies:
After the value has been modified, no further parameter modifications can be made and the status is shown in r3996. Modifications can be made again when r3996 = 0.

Note: Every change only becomes effective after a POWER ON.

r2043.0...2	BO: PROFIdrive PZD state / PD PZD state		
CU250S_V_DP	Access level: 3	Calculated: -	Data type: Unsigned8
CU250S_V_PN	Can be changed: -	Scaling: -	Dyn. index: -
	Units group: -	Unit selection: -	Func. diagram: 2410
	Min	Max	Factory setting
	-	-	-

Description: Displays the PROFIdrive PZD state.

Bit field:	Bit	Signal name	1 signal	0 signal	FP
	00	Setpoint failure	Yes	No	-
	02	Fieldbus oper	Yes	No	-

Dependency: Refer to: p2044

Note: When using the "setpoint failure" signal, the bus can be monitored and an application-specific response triggered when the setpoint fails.

p2044	PROFIdrive fault delay / PD fault delay		
CU250S_V_DP	Access level: 3	Calculated: -	Data type: FloatingPoint32
CU250S_V_PN	Can be changed: U, T	Scaling: -	Dyn. index: -
	Units group: -	Unit selection: -	Func. diagram: 2410
	Min	Max	Factory setting
	0 [s]	100 [s]	0 [s]

Description: Sets the delay time to initiate fault F01910 after a setpoint failure.
The time until the fault is initiated can be used by the application. This means that it is possible to respond to the failure while the drive is still operational (e.g. emergency retraction).

Dependency: Refer to: r2043

p2045	CI: PB/PN clock synchronous controller sign-of-life signal source / PB/PN ctrSoL S_src		
	Access level: 3	Calculated: -	Data type: U32 / Integer16
	Can be changed: T	Scaling: -	Dyn. index: -
	Units group: -	Unit selection: -	Func. diagram: 2410
	Min	Max	Factory setting
	-	-	0

Description: Connector input for the sign-of-life of the clock synchronous PROFIBUS/PROFINET controller.
The sign-of-life is expected at bits 12 to 15. Bits 0 to 11 are not evaluated.
The sign-of-life signal is normally received in PZD4 (control word 2) from the controller.

Dependency: Refer to: p0925, r2065

Notice: The parameter may be protected as a result of p0922 or p2079 and cannot be changed.

p2047	PROFIBUS additional monitoring time / PB suppl t_monit		
CU250S_V_DP	Access level: 3	Calculated: -	Data type: FloatingPoint32
	Can be changed: U, T	Scaling: -	Dyn. index: -
	Units group: -	Unit selection: -	Func. diagram: 2410
	Min	Max	Factory setting
	0 [ms]	20000 [ms]	0 [ms]

Description: Sets the additional monitoring time to monitor the process data received via PROFIBUS.
Enables short bus faults to be compensated.

If no process data is received within this time, then an appropriate message is output.

Note: For controller STOP, the additional monitoring time is not effective.

r2050[0...11]	CO: PROFIBUS PZD receive word / PZD recv word		
	Access level: 3	Calculated: -	Data type: Integer16
	Can be changed: -	Scaling: 4000H	Dyn. index: -
	Units group: -	Unit selection: -	Func. diagram: 2440, 2468, 9360
	Min	Max	Factory setting
	-	-	-
Description:	Connector output to interconnect PZD (setpoints) with word format received from the fieldbus controller.		
Index:	[0] = PZD 1 [1] = PZD 2 [2] = PZD 3 [3] = PZD 4 [4] = PZD 5 [5] = PZD 6 [6] = PZD 7 [7] = PZD 8 [8] = PZD 9 [9] = PZD 10 [10] = PZD 11 [11] = PZD 12		
Notice:	Where there is a multiple interconnection of a connector output, all the connector inputs must either have Integer or FloatingPoint data types. A BICO interconnection for a single PZD can only take place either on r2050 or r2060.		
p2051[0...13]	CI: PROFIdrive PZD send word / PZD send word		
CU250S_V_DP	Access level: 3	Calculated: -	Data type: U32 / Integer16
CU250S_V_PN	Can be changed: U, T	Scaling: 4000H	Dyn. index: -
	Units group: -	Unit selection: -	Func. diagram: 2450, 2470
	Min	Max	Factory setting
	-	-	[0] 2089[0] [1] 63[0] [2...13] 0
Description:	Selects the PZD (actual values) with word format to be sent to the fieldbus controller.		
Index:	[0] = PZD 1 [1] = PZD 2 [2] = PZD 3 [3] = PZD 4 [4] = PZD 5 [5] = PZD 6 [6] = PZD 7 [7] = PZD 8 [8] = PZD 9 [9] = PZD 10 [10] = PZD 11 [11] = PZD 12 [12] = PZD 13 [13] = PZD 14		
Notice:	The parameter may be protected as a result of p0922 or p2079 and cannot be changed.		
p2051[0...13]	CI: PROFIdrive PZD send word / PZD send word		
CU250S_V_DP (EPOS)	Access level: 3	Calculated: -	Data type: U32 / Integer16
CU250S_V_PN (EPOS)	Can be changed: U, T	Scaling: 4000H	Dyn. index: -
	Units group: -	Unit selection: -	Func. diagram: 2450, 2470
	Min	Max	Factory setting
	-	-	0
Description:	Selects the PZD (actual values) with word format to be sent to the fieldbus controller.		
Index:	[0] = PZD 1 [1] = PZD 2 [2] = PZD 3		

2 Parameters

2.2 List of parameters

[3] = PZD 4
 [4] = PZD 5
 [5] = PZD 6
 [6] = PZD 7
 [7] = PZD 8
 [8] = PZD 9
 [9] = PZD 10
 [10] = PZD 11
 [11] = PZD 12
 [12] = PZD 13
 [13] = PZD 14

Notice: The parameter may be protected as a result of p0922 or p2079 and cannot be changed.

p2051[0...13] CI: PROFIdrive PZD send word / PZD send word

CU250S_V	Access level: 3	Calculated: -	Data type: U32 / Integer16
CU250S_V_CAN	Can be changed: U, T	Scaling: 4000H	Dyn. index: -
	Units group: -	Unit selection: -	Func. diagram: 2450, 2470
	Min	Max	Factory setting
	-	-	0

Description: Selects the PZD (actual values) with word format to be sent to the fieldbus controller.

Index: [0] = PZD 1
 [1] = PZD 2
 [2] = PZD 3
 [3] = PZD 4
 [4] = PZD 5
 [5] = PZD 6
 [6] = PZD 7
 [7] = PZD 8
 [8] = PZD 9
 [9] = PZD 10
 [10] = PZD 11
 [11] = PZD 12
 [12] = PZD 13
 [13] = PZD 14

Notice: The parameter may be protected as a result of p0922 or p2079 and cannot be changed.

r2053[0...13] PROFIdrive diagnostics send PZD word / Diag send word

	Access level: 3	Calculated: -	Data type: Unsigned16
	Can be changed: -	Scaling: -	Dyn. index: -
	Units group: -	Unit selection: -	Func. diagram: 2450, 2470, 9370
	Min	Max	Factory setting
	-	-	-

Description: Displays the PZD (actual values) with word format sent to the fieldbus controller.

Index: [0] = PZD 1
 [1] = PZD 2
 [2] = PZD 3
 [3] = PZD 4
 [4] = PZD 5
 [5] = PZD 6
 [6] = PZD 7
 [7] = PZD 8
 [8] = PZD 9
 [9] = PZD 10
 [10] = PZD 11
 [11] = PZD 12
 [12] = PZD 13
 [13] = PZD 14

Bit field:	Bit	Signal name	1 signal	0 signal	FP
	00	Bit 0	ON	OFF	-
	01	Bit 1	ON	OFF	-

02	Bit 2	ON	OFF	-
03	Bit 3	ON	OFF	-
04	Bit 4	ON	OFF	-
05	Bit 5	ON	OFF	-
06	Bit 6	ON	OFF	-
07	Bit 7	ON	OFF	-
08	Bit 8	ON	OFF	-
09	Bit 9	ON	OFF	-
10	Bit 10	ON	OFF	-
11	Bit 11	ON	OFF	-
12	Bit 12	ON	OFF	-
13	Bit 13	ON	OFF	-
14	Bit 14	ON	OFF	-
15	Bit 15	ON	OFF	-

r2054 PROFIBUS status / PB status

CU250S_V_DP	Access level: 3	Calculated: -	Data type: Integer16
	Can be changed: -	Scaling: -	Dyn. index: -
	Units group: -	Unit selection: -	Func. diagram: 2410
	Min	Max	Factory setting
	0	4	-

Description: Status display for the PROFIBUS interface.

Value:	0: OFF
	1: No connection (search for baud rate)
	2: Connection OK (baud rate found)
	3: Cyclic connection with master (data exchange)
	4: Cyclic data OK

r2055[0...2] PROFIBUS diagnostics standard / PB diag standard

CU250S_V_DP	Access level: 3	Calculated: -	Data type: Unsigned16
	Can be changed: -	Scaling: -	Dyn. index: -
	Units group: -	Unit selection: -	Func. diagram: 2410
	Min	Max	Factory setting
	-	-	-

Description: Diagnostics display for the PROFIBUS interface.

Index:	[0] = Master bus address
	[1] = Master input total length bytes
	[2] = Master output total length bytes

r2057 PROFIBUS address switch diagnostics / PB addr_sw diag

CU250S_V_DP	Access level: 3	Calculated: -	Data type: Unsigned16
	Can be changed: -	Scaling: -	Dyn. index: -
	Units group: -	Unit selection: -	Func. diagram: 2410
	Min	Max	Factory setting
	-	-	-

Description: Displays the setting of the PROFIBUS address switch "DP ADDRESS" on the Control Unit.**Dependency:** Refer to: p0918**Notice:** The display is updated after switching on, and not cyclically.

r2060[0...10]	CO: PROFIdrive PZD receive double word / PZD recv DW		
	Access level: 3	Calculated: -	Data type: Integer32
	Can be changed: -	Scaling: 4000H	Dyn. index: -
	Units group: -	Unit selection: -	Func. diagram: 2440, 2468
	Min	Max	Factory setting
	-	-	-
Description:	Connector output to interconnect PZD (setpoints) with double word format received from the fieldbus controller.		
Index:	[0] = PZD 1 + 2 [1] = PZD 2 + 3 [2] = PZD 3 + 4 [3] = PZD 4 + 5 [4] = PZD 5 + 6 [5] = PZD 6 + 7 [6] = PZD 7 + 8 [7] = PZD 8 + 9 [8] = PZD 9 + 10 [9] = PZD 10 + 11 [10] = PZD 11 + 12		
Dependency:	Refer to: r2050		
Notice:	Where there is a multiple interconnection of a connector output, all the connector inputs must either have Integer or FloatingPoint data types. A BICO interconnection for a single PZD can only take place either on r2050 or r2060.		

p2061[0...12]	CI: PROFIBUS PZD send double word / PZD send DW		
	Access level: 3	Calculated: -	Data type: U32 / Integer32
	Can be changed: U, T	Scaling: 4000H	Dyn. index: -
	Units group: -	Unit selection: -	Func. diagram: 2470
	Min	Max	Factory setting
	-	-	0
Description:	Selects the PZD (actual values) with double word format to be sent to the fieldbus controller.		
Index:	[0] = PZD 1 + 2 [1] = PZD 2 + 3 [2] = PZD 3 + 4 [3] = PZD 4 + 5 [4] = PZD 5 + 6 [5] = PZD 6 + 7 [6] = PZD 7 + 8 [7] = PZD 8 + 9 [8] = PZD 9 + 10 [9] = PZD 10 + 11 [10] = PZD 11 + 12 [11] = PZD 12 + 13 [12] = PZD 13 + 14		
Dependency:	Refer to: p2051		
Notice:	A BICO interconnection for a single PZD can only take place either on p2051 or p2061. The parameter may be protected as a result of p0922 or p2079 and cannot be changed.		

r2063[0...12]	PROFIdrive diagnostics PZD send double word / Diag send DW		
	Access level: 3	Calculated: -	Data type: Unsigned32
	Can be changed: -	Scaling: -	Dyn. index: -
	Units group: -	Unit selection: -	Func. diagram: 2450, 2470
	Min	Max	Factory setting
	-	-	-
Description:	Displays the PZD (actual values) with double word format sent to the fieldbus controller.		
Index:	[0] = PZD 1 + 2 [1] = PZD 2 + 3 [2] = PZD 3 + 4		

[3] = PZD 4 + 5
 [4] = PZD 5 + 6
 [5] = PZD 6 + 7
 [6] = PZD 7 + 8
 [7] = PZD 8 + 9
 [8] = PZD 9 + 10
 [9] = PZD 10 + 11
 [10] = PZD 11 + 12
 [11] = PZD 12 + 13
 [12] = PZD 13 + 14

Bit field:	Bit	Signal name	1 signal	0 signal	FP
	00	Bit 0	ON	OFF	-
	01	Bit 1	ON	OFF	-
	02	Bit 2	ON	OFF	-
	03	Bit 3	ON	OFF	-
	04	Bit 4	ON	OFF	-
	05	Bit 5	ON	OFF	-
	06	Bit 6	ON	OFF	-
	07	Bit 7	ON	OFF	-
	08	Bit 8	ON	OFF	-
	09	Bit 9	ON	OFF	-
	10	Bit 10	ON	OFF	-
	11	Bit 11	ON	OFF	-
	12	Bit 12	ON	OFF	-
	13	Bit 13	ON	OFF	-
	14	Bit 14	ON	OFF	-
	15	Bit 15	ON	OFF	-
	16	Bit 16	ON	OFF	-
	17	Bit 17	ON	OFF	-
	18	Bit 18	ON	OFF	-
	19	Bit 19	ON	OFF	-
	20	Bit 20	ON	OFF	-
	21	Bit 21	ON	OFF	-
	22	Bit 22	ON	OFF	-
	23	Bit 23	ON	OFF	-
	24	Bit 24	ON	OFF	-
	25	Bit 25	ON	OFF	-
	26	Bit 26	ON	OFF	-
	27	Bit 27	ON	OFF	-
	28	Bit 28	ON	OFF	-
	29	Bit 29	ON	OFF	-
	30	Bit 30	ON	OFF	-
	31	Bit 31	ON	OFF	-

Notice: A maximum of 4 indices of the "trace" function can be used.

r2065	PB/PN controller sign of life diagnostics / PB/PN ctr SoL diag		
Access level: 3	Calculated: -	Data type: Unsigned16	
Can be changed: -	Scaling: -	Dyn. index: -	
Units group: -	Unit selection: -	Func. diagram: 2410	
Min	Max	Factory setting	
-	-	-	

Description: Displays how often the sign-of-life from the clock synchronous PROFIBUS/PROFINET controller last failed. An appropriate fault is output when the tolerance, specified in p0925, is exceeded.

r2067[0...1]	PZD maximum interconnected / PZDmaxIntercon		
	Access level: 3	Calculated: -	Data type: Unsigned16
	Can be changed: -	Scaling: -	Dyn. index: -
	Units group: -	Unit selection: -	Func. diagram: -
	Min	Max	Factory setting
	-	-	-
Description:	Display for the maximum interconnected PZD in the receive/send direction Index 0: receive (r2050, r2060) Index 1: send (p2051, p2061)		
p2071	PROFdrive SIC/SCC start send / SIC/SCC start send		
CU250S_V_DP	Access level: 3	Calculated: -	Data type: Unsigned8
CU250S_V_PN	Can be changed: T	Scaling: -	Dyn. index: -
	Units group: -	Unit selection: -	Func. diagram: 2423
	Min	Max	Factory setting
	0	30	2
Description:	Sets the start for the SIC/SCC telegram (p60122) in the send words (p2051, p2061).		
Dependency:	Refer to: p0922, p2079, p60122		
Note:	For setting p0922/p2079, the value is preset to the end of the PZD telegram. For p0922 equal to 999 and p2079 not equal to 999, the preset value can be increased. The value must be set again after changing p0922/p2079.		
p2071	PROFdrive SIC/SCC start send / SIC/SCC start send		
CU250S_V_DP (EPOS)	Access level: 3	Calculated: -	Data type: Unsigned8
CU250S_V_PN (EPOS)	Can be changed: T	Scaling: -	Dyn. index: -
	Units group: -	Unit selection: -	Func. diagram: 2423
	Min	Max	Factory setting
	0	30	0
Description:	Sets the start for the SIC/SCC telegram (p60122) in the send words (p2051, p2061).		
Dependency:	Refer to: p0922, p2079, p60122		
Note:	For setting p0922/p2079, the value is preset to the end of the PZD telegram. For p0922 equal to 999 and p2079 not equal to 999, the preset value can be increased. The value must be set again after changing p0922/p2079.		
p2072	Response receive value after PZD failure / Resp aft PZD fail		
	Access level: 3	Calculated: -	Data type: Unsigned32
	Can be changed: T	Scaling: -	Dyn. index: -
	Units group: -	Unit selection: -	Func. diagram: -
	Min	Max	Factory setting
	-	-	0000 bin
Description:	Sets the response for the receive value (r2090) after PZD failure.		
Bit field:	Bit	Signal name	1 signal
	00	Unconditionally open holding brake (p0855)	Freeze value
			0 signal
			Zero the value
			FP
			-

r2074[0...11]	PROFIdrive diagnostics bus address PZD receive / Diag addr recv		
	Access level: 3	Calculated: -	Data type: Unsigned16
	Can be changed: -	Scaling: -	Dyn. index: -
	Units group: -	Unit selection: -	Func. diagram: -
	Min	Max	Factory setting
	-	-	-
Description:	Displays the PROFIBUS address of the sender from which the process data (PZD) is received.		
Index:	[0] = PZD 1 [1] = PZD 2 [2] = PZD 3 [3] = PZD 4 [4] = PZD 5 [5] = PZD 6 [6] = PZD 7 [7] = PZD 8 [8] = PZD 9 [9] = PZD 10 [10] = PZD 11 [11] = PZD 12		
Note:	Value range: 0 - 125: Bus address of the sender 65535: Not assigned		

r2075[0...11]	PROFIdrive diagnostics telegram offset PZD receive / Diag offs recv		
	Access level: 3	Calculated: -	Data type: Unsigned16
	Can be changed: -	Scaling: -	Dyn. index: -
	Units group: -	Unit selection: -	Func. diagram: 2410
	Min	Max	Factory setting
	-	-	-
Description:	Displays the PZD byte offset in the PROFIdrive receive telegram (controller output).		
Index:	[0] = PZD 1 [1] = PZD 2 [2] = PZD 3 [3] = PZD 4 [4] = PZD 5 [5] = PZD 6 [6] = PZD 7 [7] = PZD 8 [8] = PZD 9 [9] = PZD 10 [10] = PZD 11 [11] = PZD 12		
Note:	Value range: 0 - 242: Byte offset 65535: Not assigned		

r2076[0...13]	PROFIdrive diagnostics telegram offset PZD send / Diag offs send		
	Access level: 3	Calculated: -	Data type: Unsigned16
	Can be changed: -	Scaling: -	Dyn. index: -
	Units group: -	Unit selection: -	Func. diagram: 2410
	Min	Max	Factory setting
	-	-	-
Description:	Displays the PZD byte offset in the PROFIdrive send telegram (controller input).		
Index:	[0] = PZD 1 [1] = PZD 2 [2] = PZD 3 [3] = PZD 4		

2 Parameters

2.2 List of parameters

[4] = PZD 5
 [5] = PZD 6
 [6] = PZD 7
 [7] = PZD 8
 [8] = PZD 9
 [9] = PZD 10
 [10] = PZD 11
 [11] = PZD 12
 [12] = PZD 13
 [13] = PZD 14

Note: Value range:
 0 - 242: Byte offset
 65535: Not assigned

r2077[0...15]	PROFIBUS diagnostics peer-to-peer data transfer addresses / PB diag peer addr		
Access level: 3	Calculated: -	Data type: Unsigned8	
Can be changed: -	Scaling: -	Dyn. index: -	
Units group: -	Unit selection: -	Func. diagram: -	
Min	Max	Factory setting	
-	-	-	

Description: Displays the addresses of the slaves (peers) where peer-to-peer data transfer has been configured via PROFIBUS.

p2079	PROFIdrive PZD telegram selection extended / PZD telegr ext		
CU250S_V_DP	Access level: 3	Calculated: -	Data type: Integer16
CU250S_V_PN	Can be changed: T	Scaling: -	Dyn. index: -
	Units group: -	Unit selection: -	Func. diagram: -
	Min	Max	Factory setting
	1	999	1

Description: Sets the send and receive telegram.
 Contrary to p0922, a telegram can be selected using p2079 and subsequently expanded.

Value:

- 1: Standard telegram 1, PZD-2/2
- 2: Standard telegram 2, PZD-4/4
- 3: Standard telegram 3, PZD-5/9
- 4: Standard telegram 4, PZD-6/14
- 20: Standard telegram 20, PZD-2/6
- 350: SIEMENS telegram 350, PZD-4/4
- 352: SIEMENS telegram 352, PZD-6/6
- 353: SIEMENS telegram 353, PZD-2/2, PKW-4/4
- 354: SIEMENS telegram 354, PZD-6/6, PKW-4/4
- 999: Free telegram configuration with BICO

Dependency: Refer to: p0922

Note: For p0922 < 999 the following applies:
 p2079 has the same value and is inhibited. All of the interconnections and extensions contained in the telegram are inhibited.
 For p0922 = 999 the following applies:
 p2079 can be freely set. If p2079 is also set to 999, then all of the interconnections can be set.
 For p0922 = 999 and p2079 < 999 the following applies:
 The interconnections contained in the telegram are inhibited. However, the telegram can be extended.

p2079	PROFIdrive PZD telegram selection extended / PZD telegr ext		
CU250S_V_DP (EPOS)	Access level: 3	Calculated: -	Data type: Integer16
CU250S_V_PN (EPOS)	Can be changed: T	Scaling: -	Dyn. index: -
	Units group: -	Unit selection: -	Func. diagram: -
	Min	Max	Factory setting
	7	999	999

Description: Sets the send and receive telegram.
 Contrary to p0922, a telegram can be selected using p2079 and subsequently expanded.

Value:	7: Standard telegram 7, PZD-2/2 9: Standard telegram 9, PZD-10/5 110: SIEMENS telegram 110, PZD-12/7 111: SIEMENS telegram 111, PZD-12/12 999: Free telegram configuration with BICO
Dependency:	Refer to: p0922
Note:	For p0922 < 999 the following applies: p2079 has the same value and is inhibited. All of the interconnections and extensions contained in the telegram are inhibited. For p0922 = 999 the following applies: p2079 can be freely set. If p2079 is also set to 999, then all of the interconnections can be set. For p0922 = 999 and p2079 < 999 the following applies: The interconnections contained in the telegram are inhibited. However, the telegram can be extended.

p2080[0...15]	BI: Binector-connector converter status word 1 / Bin/con ZSW1		
CU250S_V_DP	Access level: 3	Calculated: -	Data type: U32 / Binary
CU250S_V_PN	Can be changed: U, T	Scaling: -	Dyn. index: -
	Units group: -	Unit selection: -	Func. diagram: 2472
	Min	Max	Factory setting
	-	-	[0] 899.0
			[1] 899.1
			[2] 899.2
			[3] 2139.3
			[4] 899.4
			[5] 899.5
			[6] 899.6
			[7] 2139.7
			[8] 2197.7
			[9] 899.9
			[10] 2199.1
			[11] 1407.7
			[12] 899.12
			[13] 2135.14
			[14] 2197.3
			[15] 2135.15

Description: Selects bits to be sent to the PROFIdrive controller.
The individual bits are combined to form status word 1.

Index: [0] = Bit 0
[1] = Bit 1
[2] = Bit 2
[3] = Bit 3
[4] = Bit 4
[5] = Bit 5
[6] = Bit 6
[7] = Bit 7
[8] = Bit 8
[9] = Bit 9
[10] = Bit 10
[11] = Bit 11
[12] = Bit 12
[13] = Bit 13
[14] = Bit 14
[15] = Bit 15

Dependency: Refer to: p2088, r2089

Notice: The parameter may be protected as a result of p0922 or p2079 and cannot be changed.

p2080[0...15]	BI: Binector-connector converter status word 1 / Bin/con ZSW1		
CU250S_V_DP (EPOS)	Access level: 3	Calculated: -	Data type: U32 / Binary
CU250S_V_PN (EPOS)	Can be changed: U, T	Scaling: -	Dyn. index: -
	Units group: -	Unit selection: -	Func. diagram: 2472
	Min	Max	Factory setting
	-	-	0
Description:	Selects bits to be sent to the PROFIdrive controller. The individual bits are combined to form status word 1.		
Index:	[0] = Bit 0 [1] = Bit 1 [2] = Bit 2 [3] = Bit 3 [4] = Bit 4 [5] = Bit 5 [6] = Bit 6 [7] = Bit 7 [8] = Bit 8 [9] = Bit 9 [10] = Bit 10 [11] = Bit 11 [12] = Bit 12 [13] = Bit 13 [14] = Bit 14 [15] = Bit 15		
Dependency:	Refer to: p2088, r2089		
Notice:	The parameter may be protected as a result of p0922 or p2079 and cannot be changed.		

p2080[0...15]	BI: Binector-connector converter status word 1 / Bin/con ZSW1		
CU250S_V	Access level: 3	Calculated: -	Data type: U32 / Binary
CU250S_V_CAN	Can be changed: U, T	Scaling: -	Dyn. index: -
	Units group: -	Unit selection: -	Func. diagram: 2472
	Min	Max	Factory setting
	-	-	0
Description:	Selects bits to be sent to the PROFIdrive controller. The individual bits are combined to form status word 1.		
Index:	[0] = Bit 0 [1] = Bit 1 [2] = Bit 2 [3] = Bit 3 [4] = Bit 4 [5] = Bit 5 [6] = Bit 6 [7] = Bit 7 [8] = Bit 8 [9] = Bit 9 [10] = Bit 10 [11] = Bit 11 [12] = Bit 12 [13] = Bit 13 [14] = Bit 14 [15] = Bit 15		
Dependency:	Refer to: p2088, r2089		
Notice:	The parameter may be protected as a result of p0922 or p2079 and cannot be changed.		

p2081[0...15]	BI: Binector-connector converter status word 2 / Bin/con ZSW2		
	Access level: 3	Calculated: -	Data type: U32 / Binary
	Can be changed: U, T	Scaling: -	Dyn. index: -
	Units group: -	Unit selection: -	Func. diagram: 2472
	Min	Max	Factory setting
	-	-	0
Description:	Selects bits to be sent to the PROFIdrive controller. The individual bits are combined to form status word 2.		
Index:	[0] = Bit 0 [1] = Bit 1 [2] = Bit 2 [3] = Bit 3 [4] = Bit 4 [5] = Bit 5 [6] = Bit 6 [7] = Bit 7 [8] = Bit 8 [9] = Bit 9 [10] = Bit 10 [11] = Bit 11 [12] = Bit 12 [13] = Bit 13 [14] = Bit 14 [15] = Bit 15		
Dependency:	Refer to: p2088, r2089		
Notice:	The parameter may be protected as a result of p0922 or p2079 and cannot be changed.		
Note:	For clock synchronous operation, bit 12 to 15 to transfer the sign-of-life are reserved in status word 2 - and may not be freely interconnected.		

p2082[0...15]	BI: Binector-connector converter status word 3 / Bin/con ZSW3		
	Access level: 3	Calculated: -	Data type: U32 / Binary
	Can be changed: U, T	Scaling: -	Dyn. index: -
	Units group: -	Unit selection: -	Func. diagram: 2472
	Min	Max	Factory setting
	-	-	0
Description:	Selects bits to be sent to the PROFIdrive controller. The individual bits are combined to form free status word 3.		
Index:	[0] = Bit 0 [1] = Bit 1 [2] = Bit 2 [3] = Bit 3 [4] = Bit 4 [5] = Bit 5 [6] = Bit 6 [7] = Bit 7 [8] = Bit 8 [9] = Bit 9 [10] = Bit 10 [11] = Bit 11 [12] = Bit 12 [13] = Bit 13 [14] = Bit 14 [15] = Bit 15		
Dependency:	Refer to: p2088, r2089		
Notice:	The parameter may be protected as a result of p0922 or p2079 and cannot be changed.		

p2083[0...15]	BI: Binector-connector converter status word 4 / Bin/con ZSW4		
	Access level: 3	Calculated: -	Data type: U32 / Binary
	Can be changed: U, T	Scaling: -	Dyn. index: -
	Units group: -	Unit selection: -	Func. diagram: 2472
	Min	Max	Factory setting
	-	-	0
Description:	Selects bits to be sent to the PROFIdrive controller. The individual bits are combined to form free status word 4.		
Index:	[0] = Bit 0 [1] = Bit 1 [2] = Bit 2 [3] = Bit 3 [4] = Bit 4 [5] = Bit 5 [6] = Bit 6 [7] = Bit 7 [8] = Bit 8 [9] = Bit 9 [10] = Bit 10 [11] = Bit 11 [12] = Bit 12 [13] = Bit 13 [14] = Bit 14 [15] = Bit 15		
Dependency:	Refer to: p2088, r2089		

p2084[0...15]	BI: Binector-connector converter status word 5 / Bin/con ZSW5		
	Access level: 3	Calculated: -	Data type: U32 / Binary
	Can be changed: U, T	Scaling: -	Dyn. index: -
	Units group: -	Unit selection: -	Func. diagram: 2472
	Min	Max	Factory setting
	-	-	0
Description:	Selects bits to be sent to the PROFIdrive controller. The individual bits are combined to form free status word 5.		
Index:	[0] = Bit 0 [1] = Bit 1 [2] = Bit 2 [3] = Bit 3 [4] = Bit 4 [5] = Bit 5 [6] = Bit 6 [7] = Bit 7 [8] = Bit 8 [9] = Bit 9 [10] = Bit 10 [11] = Bit 11 [12] = Bit 12 [13] = Bit 13 [14] = Bit 14 [15] = Bit 15		
Dependency:	Refer to: p2088, r2089		

p2088[0...4]		Invert binector-connector converter status word / Bin/con ZSW inv			
CU250S_V_DP	Access level: 3	Calculated: -	Data type: Unsigned16		
CU250S_V_PN	Can be changed: U, T	Scaling: -	Dyn. index: -		
	Units group: -	Unit selection: -	Func. diagram: 2472		
	Min	Max	Factory setting		
	-	-	[0] 1010 1000 0000 0000 bin		
			[1...4] 0000 0000 0000 0000 bin		
Description:	Setting to invert the individual binector inputs of the binector connector converter.				
Index:	[0] = Status word 1 [1] = Status word 2 [2] = Free status word 3 [3] = Free status word 4 [4] = Free status word 5				
Bit field:	Bit	Signal name	1 signal	0 signal	FP
	00	Bit 0	Inverted	Not inverted	-
	01	Bit 1	Inverted	Not inverted	-
	02	Bit 2	Inverted	Not inverted	-
	03	Bit 3	Inverted	Not inverted	-
	04	Bit 4	Inverted	Not inverted	-
	05	Bit 5	Inverted	Not inverted	-
	06	Bit 6	Inverted	Not inverted	-
	07	Bit 7	Inverted	Not inverted	-
	08	Bit 8	Inverted	Not inverted	-
	09	Bit 9	Inverted	Not inverted	-
	10	Bit 10	Inverted	Not inverted	-
	11	Bit 11	Inverted	Not inverted	-
	12	Bit 12	Inverted	Not inverted	-
	13	Bit 13	Inverted	Not inverted	-
	14	Bit 14	Inverted	Not inverted	-
	15	Bit 15	Inverted	Not inverted	-
Dependency:	Refer to: p2080, p2081, p2082, p2083, r2089				

p2088[0...4]		Invert binector-connector converter status word / Bin/con ZSW inv			
CU250S_V_DP (EPOS)	Access level: 3	Calculated: -	Data type: Unsigned16		
CU250S_V_PN (EPOS)	Can be changed: U, T	Scaling: -	Dyn. index: -		
	Units group: -	Unit selection: -	Func. diagram: 2472		
	Min	Max	Factory setting		
	-	-	0000 0000 0000 0000 bin		
Description:	Setting to invert the individual binector inputs of the binector connector converter.				
Index:	[0] = Status word 1 [1] = Status word 2 [2] = Free status word 3 [3] = Free status word 4 [4] = Free status word 5				
Bit field:	Bit	Signal name	1 signal	0 signal	FP
	00	Bit 0	Inverted	Not inverted	-
	01	Bit 1	Inverted	Not inverted	-
	02	Bit 2	Inverted	Not inverted	-
	03	Bit 3	Inverted	Not inverted	-
	04	Bit 4	Inverted	Not inverted	-
	05	Bit 5	Inverted	Not inverted	-
	06	Bit 6	Inverted	Not inverted	-
	07	Bit 7	Inverted	Not inverted	-
	08	Bit 8	Inverted	Not inverted	-
	09	Bit 9	Inverted	Not inverted	-
	10	Bit 10	Inverted	Not inverted	-
	11	Bit 11	Inverted	Not inverted	-
	12	Bit 12	Inverted	Not inverted	-

2 Parameters

2.2 List of parameters

13	Bit 13	Inverted	Not inverted	-
14	Bit 14	Inverted	Not inverted	-
15	Bit 15	Inverted	Not inverted	-

Dependency: Refer to: p2080, p2081, p2082, p2083, r2089

p2088[0...4]	Invert binector-connector converter status word / Bin/con ZSW inv			
CU250S_V	Access level: 3	Calculated: -	Data type: Unsigned16	
CU250S_V_CAN	Can be changed: U, T	Scaling: -	Dyn. index: -	
	Units group: -	Unit selection: -	Func. diagram: 2472	
	Min	Max	Factory setting	
	-	-	0000 0000 0000 0000 bin	

Description: Setting to invert the individual binector inputs of the binector connector converter.

Index:
 [0] = Status word 1
 [1] = Status word 2
 [2] = Free status word 3
 [3] = Free status word 4
 [4] = Free status word 5

Bit field:	Bit	Signal name	1 signal	0 signal	FP
	00	Bit 0	Inverted	Not inverted	-
	01	Bit 1	Inverted	Not inverted	-
	02	Bit 2	Inverted	Not inverted	-
	03	Bit 3	Inverted	Not inverted	-
	04	Bit 4	Inverted	Not inverted	-
	05	Bit 5	Inverted	Not inverted	-
	06	Bit 6	Inverted	Not inverted	-
	07	Bit 7	Inverted	Not inverted	-
	08	Bit 8	Inverted	Not inverted	-
	09	Bit 9	Inverted	Not inverted	-
	10	Bit 10	Inverted	Not inverted	-
	11	Bit 11	Inverted	Not inverted	-
	12	Bit 12	Inverted	Not inverted	-
	13	Bit 13	Inverted	Not inverted	-
	14	Bit 14	Inverted	Not inverted	-
	15	Bit 15	Inverted	Not inverted	-

Dependency: Refer to: p2080, p2081, p2082, p2083, r2089

r2089[0...4]	CO: Send binector-connector converter status word / Bin/con ZSW send			
	Access level: 3	Calculated: -	Data type: Unsigned16	
	Can be changed: -	Scaling: -	Dyn. index: -	
	Units group: -	Unit selection: -	Func. diagram: 2472	
	Min	Max	Factory setting	
	-	-	-	

Description: Connector output to interconnect the status words to a PZD send word.

Index:
 [0] = Status word 1
 [1] = Status word 2
 [2] = Free status word 3
 [3] = Free status word 4
 [4] = Free status word 5

Bit field:	Bit	Signal name	1 signal	0 signal	FP
	00	Bit 0	ON	OFF	-
	01	Bit 1	ON	OFF	-
	02	Bit 2	ON	OFF	-
	03	Bit 3	ON	OFF	-
	04	Bit 4	ON	OFF	-
	05	Bit 5	ON	OFF	-
	06	Bit 6	ON	OFF	-
	07	Bit 7	ON	OFF	-
	08	Bit 8	ON	OFF	-
	09	Bit 9	ON	OFF	-
	10	Bit 10	ON	OFF	-

11	Bit 11	ON	OFF	-
12	Bit 12	ON	OFF	-
13	Bit 13	ON	OFF	-
14	Bit 14	ON	OFF	-
15	Bit 15	ON	OFF	-

Dependency: Refer to: p2051, p2080, p2081, p2082, p2083

Note: r2089 together with p2080 to p2084 forms five binector-connector converters.

r2090.0...15 **BO: PROFIdrive PZD1 receive bit-serial / PZD1 recv bitw**

Access level: 3	Calculated: -	Data type: Unsigned16
Can be changed: -	Scaling: -	Dyn. index: -
Units group: -	Unit selection: -	Func. diagram: 2468, 9360
Min	Max	Factory setting
-	-	-

Description: Binector output for bit-serial interconnection of PZD1 (normally control word 1) received from the PROFIdrive controller.

Bit field:	Bit	Signal name	1 signal	0 signal	FP
	00	Bit 0	ON	OFF	-
	01	Bit 1	ON	OFF	-
	02	Bit 2	ON	OFF	-
	03	Bit 3	ON	OFF	-
	04	Bit 4	ON	OFF	-
	05	Bit 5	ON	OFF	-
	06	Bit 6	ON	OFF	-
	07	Bit 7	ON	OFF	-
	08	Bit 8	ON	OFF	-
	09	Bit 9	ON	OFF	-
	10	Bit 10	ON	OFF	-
	11	Bit 11	ON	OFF	-
	12	Bit 12	ON	OFF	-
	13	Bit 13	ON	OFF	-
	14	Bit 14	ON	OFF	-
	15	Bit 15	ON	OFF	-

r2091.0...15 **BO: PROFIdrive PZD2 receive bit-serial / PZD2 recv bitw**

Access level: 3	Calculated: -	Data type: Unsigned16
Can be changed: -	Scaling: -	Dyn. index: -
Units group: -	Unit selection: -	Func. diagram: 2468
Min	Max	Factory setting
-	-	-

Description: Binector output for bit-serial interconnection of PZD2 received from the PROFIdrive controller.

Bit field:	Bit	Signal name	1 signal	0 signal	FP
	00	Bit 0	ON	OFF	-
	01	Bit 1	ON	OFF	-
	02	Bit 2	ON	OFF	-
	03	Bit 3	ON	OFF	-
	04	Bit 4	ON	OFF	-
	05	Bit 5	ON	OFF	-
	06	Bit 6	ON	OFF	-
	07	Bit 7	ON	OFF	-
	08	Bit 8	ON	OFF	-
	09	Bit 9	ON	OFF	-
	10	Bit 10	ON	OFF	-
	11	Bit 11	ON	OFF	-
	12	Bit 12	ON	OFF	-
	13	Bit 13	ON	OFF	-
	14	Bit 14	ON	OFF	-
	15	Bit 15	ON	OFF	-

r2092.0...15

BO: PROFIdrive PZD3 receive bit-serial / PZD3 recv bitw

Access level: 3	Calculated: -	Data type: Unsigned16
Can be changed: -	Scaling: -	Dyn. index: -
Units group: -	Unit selection: -	Func. diagram: 2468
Min	Max	Factory setting
-	-	-

Description:

Binector output for bit-serial interconnection of PZD3 received from the PROFIdrive controller.

Bit field:

Bit	Signal name	1 signal	0 signal	FP
00	Bit 0	ON	OFF	-
01	Bit 1	ON	OFF	-
02	Bit 2	ON	OFF	-
03	Bit 3	ON	OFF	-
04	Bit 4	ON	OFF	-
05	Bit 5	ON	OFF	-
06	Bit 6	ON	OFF	-
07	Bit 7	ON	OFF	-
08	Bit 8	ON	OFF	-
09	Bit 9	ON	OFF	-
10	Bit 10	ON	OFF	-
11	Bit 11	ON	OFF	-
12	Bit 12	ON	OFF	-
13	Bit 13	ON	OFF	-
14	Bit 14	ON	OFF	-
15	Bit 15	ON	OFF	-

r2093.0...15

BO: PROFIdrive PZD4 receive bit-serial / PZD4 recv bitw

Access level: 3	Calculated: -	Data type: Unsigned16
Can be changed: -	Scaling: -	Dyn. index: -
Units group: -	Unit selection: -	Func. diagram: 2468
Min	Max	Factory setting
-	-	-

Description:

Binector output for bit-serial interconnection of PZD4 (normally control word 2) received from the PROFIdrive controller.

Bit field:

Bit	Signal name	1 signal	0 signal	FP
00	Bit 0	ON	OFF	-
01	Bit 1	ON	OFF	-
02	Bit 2	ON	OFF	-
03	Bit 3	ON	OFF	-
04	Bit 4	ON	OFF	-
05	Bit 5	ON	OFF	-
06	Bit 6	ON	OFF	-
07	Bit 7	ON	OFF	-
08	Bit 8	ON	OFF	-
09	Bit 9	ON	OFF	-
10	Bit 10	ON	OFF	-
11	Bit 11	ON	OFF	-
12	Bit 12	ON	OFF	-
13	Bit 13	ON	OFF	-
14	Bit 14	ON	OFF	-
15	Bit 15	ON	OFF	-

r2094.0...15	BO: Connector-binector converter binector output / Con/bin outp		
Access level: 3	Calculated: -	Data type: Unsigned16	
Can be changed: -	Scaling: -	Dyn. index: -	
Units group: -	Unit selection: -	Func. diagram: 2468, 9360	
Min	Max	Factory setting	
-	-	-	

Description: Binector output for bit-serial onward interconnection of a PZD word received from the PROFIdrive controller. The PZD is selected via p2099[0].

Bit field:	Bit	Signal name	1 signal	0 signal	FP
	00	Bit 0	ON	OFF	-
	01	Bit 1	ON	OFF	-
	02	Bit 2	ON	OFF	-
	03	Bit 3	ON	OFF	-
	04	Bit 4	ON	OFF	-
	05	Bit 5	ON	OFF	-
	06	Bit 6	ON	OFF	-
	07	Bit 7	ON	OFF	-
	08	Bit 8	ON	OFF	-
	09	Bit 9	ON	OFF	-
	10	Bit 10	ON	OFF	-
	11	Bit 11	ON	OFF	-
	12	Bit 12	ON	OFF	-
	13	Bit 13	ON	OFF	-
	14	Bit 14	ON	OFF	-
	15	Bit 15	ON	OFF	-

Dependency: Refer to: p2099

r2095.0...15	BO: Connector-binector converter binector output / Con/bin outp		
Access level: 3	Calculated: -	Data type: Unsigned16	
Can be changed: -	Scaling: -	Dyn. index: -	
Units group: -	Unit selection: -	Func. diagram: 2468, 9360	
Min	Max	Factory setting	
-	-	-	

Description: Binector output for bit-serial interconnection of a PZD word received from the PROFIdrive controller. The PZD is selected via p2099[1].

Bit field:	Bit	Signal name	1 signal	0 signal	FP
	00	Bit 0	ON	OFF	-
	01	Bit 1	ON	OFF	-
	02	Bit 2	ON	OFF	-
	03	Bit 3	ON	OFF	-
	04	Bit 4	ON	OFF	-
	05	Bit 5	ON	OFF	-
	06	Bit 6	ON	OFF	-
	07	Bit 7	ON	OFF	-
	08	Bit 8	ON	OFF	-
	09	Bit 9	ON	OFF	-
	10	Bit 10	ON	OFF	-
	11	Bit 11	ON	OFF	-
	12	Bit 12	ON	OFF	-
	13	Bit 13	ON	OFF	-
	14	Bit 14	ON	OFF	-
	15	Bit 15	ON	OFF	-

Dependency: Refer to: p2099

p2098[0...1]	Inverter connector-binector converter binector output / Con/bin outp inv				
	Access level: 3	Calculated: -	Data type: Unsigned16		
	Can be changed: U, T	Scaling: -	Dyn. index: -		
	Units group: -	Unit selection: -	Func. diagram: 2468, 9360		
	Min	Max	Factory setting		
	-	-	0000 0000 0000 0000 bin		
Description:	Setting to invert the individual binector outputs of the connector-binector converter. Using p2098[0], the signals of connector input p2099[0] are influenced. Using p2098[1], the signals of connector input p2099[1] are influenced.				
Bit field:	Bit	Signal name	1 signal	0 signal	FP
	00	Bit 0	Inverted	Not inverted	-
	01	Bit 1	Inverted	Not inverted	-
	02	Bit 2	Inverted	Not inverted	-
	03	Bit 3	Inverted	Not inverted	-
	04	Bit 4	Inverted	Not inverted	-
	05	Bit 5	Inverted	Not inverted	-
	06	Bit 6	Inverted	Not inverted	-
	07	Bit 7	Inverted	Not inverted	-
	08	Bit 8	Inverted	Not inverted	-
	09	Bit 9	Inverted	Not inverted	-
	10	Bit 10	Inverted	Not inverted	-
	11	Bit 11	Inverted	Not inverted	-
	12	Bit 12	Inverted	Not inverted	-
	13	Bit 13	Inverted	Not inverted	-
	14	Bit 14	Inverted	Not inverted	-
	15	Bit 15	Inverted	Not inverted	-
Dependency:	Refer to: r2094, r2095, p2099				

p2099[0...1]	CI: Connector-binector converter signal source / Con/bin S_src			
	Access level: 3	Calculated: -	Data type: U32 / Integer16	
	Can be changed: U, T	Scaling: -	Dyn. index: -	
	Units group: -	Unit selection: -	Func. diagram: 2468, 9360	
	Min	Max	Factory setting	
	-	-	0	
Description:	Sets the signal source for the connector-binector converter. A PZD receive word can be selected as signal source. The signals are available to be serially passed-on (interconnection).			
Dependency:	Refer to: r2094, r2095			
Note:	From the signal source set via the connector input, the corresponding lower 16 bits are converted. p2099[0...1] together with r2094.0...15 and r2095.0...15 forms two connector-binector converters: Connector input p2099[0] to binector output in r2094.0...15 Connector input p2099[1] to binector output in r2095.0...15			

p2100[0...19]	Change fault response fault number / Chng resp F_no			
	Access level: 3	Calculated: -	Data type: Unsigned16	
	Can be changed: U, T	Scaling: -	Dyn. index: -	
	Units group: -	Unit selection: -	Func. diagram: 8050, 8075	
	Min	Max	Factory setting	
	0	65535	0	
Description:	Selects the faults for which the fault response should be changed			
Dependency:	The fault is selected and the required response is set under the same index. Refer to: p2101			
Note:	Re-parameterization is also possible if a fault is present. The change only becomes effective after the fault has been resolved.			

p2101[0...19]	Change fault response response / Chng resp resp		
	Access level: 3	Calculated: -	Data type: Integer16
	Can be changed: U, T	Scaling: -	Dyn. index: -
	Units group: -	Unit selection: -	Func. diagram: 8050, 8075
	Min	Max	Factory setting
	0	6	0
Description:	Sets the fault response for the selected fault.		
Value:	0: NONE 1: OFF1 2: OFF2 3: OFF3 5: STOP2 6: Internal armature short-circuit / DC braking		
Dependency:	The fault is selected and the required response is set under the same index. Refer to: p2100		
Notice:	For the following cases, it is not possible to re-parameterize the fault response to a fault: - Fault number does not exist (exception value = 0). - Message type is not "fault" (F). - Fault response is not permissible for the set fault number.		
Note:	Re-parameterization is also possible if a fault is present. The change only becomes effective after the fault has been resolved. The fault response can only be changed for faults with the appropriate identification. Example: F12345 and fault response = NONE (OFF1, OFF2) --> The fault response NONE can be changed to OFF1 or OFF2. Re value = 1 (OFF1): Braking along the ramp-function generator down ramp followed by a pulse inhibit. Re value = 2 (OFF2): Internal/external pulse inhibit. Re value = 3 (OFF3): Braking along the OFF3 down ramp followed by a pulse inhibit. Re value = 5 (STOP2): n_set = 0 Re value = 6 (armature short-circuit, internal/DC braking): This value can only be set for all drive data sets when p1231 = 4. a) DC braking is not possible for synchronous motors. b) DC braking is possible for induction motors.		
p2103[0...n]	BI: 1. Acknowledge faults / 1. Acknowledge		
CU250S_V_DP	Access level: 3	Calculated: -	Data type: U32 / Binary
CU250S_V_PN	Can be changed: U, T	Scaling: -	Dyn. index: CDS, p0170
	Units group: -	Unit selection: -	Func. diagram: 2441, 2442, 2443, 2447, 2475, 2546, 9220, 9677, 9678
	Min	Max	Factory setting
	-	-	[0] 2090.7
			[1] 722.2
			[2] 2090.7
			[3] 2090.7
Description:	Sets the first signal source to acknowledge faults.		
Notice:	The parameter may be protected as a result of p0922 or p2079 and cannot be changed.		
Note:	A fault acknowledgement is triggered with a 0/1 signal.		

2 Parameters

2.2 List of parameters

p2103[0...n]	BI: 1. Acknowledge faults / 1. Acknowledge		
CU250S_V_DP (EPOS)	Access level: 3	Calculated: -	Data type: U32 / Binary
CU250S_V_PN (EPOS)	Can be changed: U, T	Scaling: -	Dyn. index: CDS, p0170
	Units group: -	Unit selection: -	Func. diagram: 2441, 2442, 2443, 2447, 2475, 2546, 9220, 9677, 9678
	Min	Max	Factory setting
	-	-	[0] 722.2 [1] 0 [2] 0 [3] 0
Description:	Sets the first signal source to acknowledge faults.		
Notice:	The parameter may be protected as a result of p0922 or p2079 and cannot be changed.		
Note:	A fault acknowledgement is triggered with a 0/1 signal.		

p2103[0...n]	BI: 1. Acknowledge faults / 1. Acknowledge		
CU250S_V	Access level: 3	Calculated: -	Data type: U32 / Binary
CU250S_V_CAN	Can be changed: U, T	Scaling: -	Dyn. index: CDS, p0170
	Units group: -	Unit selection: -	Func. diagram: 2441, 2442, 2443, 2447, 2475, 2546, 9220, 9677, 9678
	Min	Max	Factory setting
	-	-	[0] 722.2 [1] 0 [2] 0 [3] 0
Description:	Sets the first signal source to acknowledge faults.		
Notice:	The parameter may be protected as a result of p0922 or p2079 and cannot be changed.		
Note:	A fault acknowledgement is triggered with a 0/1 signal.		

p2104[0...n]	BI: 2. Acknowledge faults / 2. Acknowledge		
CU250S_V_DP	Access level: 3	Calculated: -	Data type: U32 / Binary
CU250S_V_PN	Can be changed: U, T	Scaling: -	Dyn. index: CDS, p0170
	Units group: -	Unit selection: -	Func. diagram: 2546, 8060
	Min	Max	Factory setting
	-	-	[0] 722.2 [1] 0 [2] 0 [3] 0
Description:	Sets the second signal source to acknowledge faults.		
Note:	A fault acknowledgement is triggered with a 0/1 signal.		

p2104[0...n]	BI: 2. Acknowledge faults / 2. Acknowledge		
CU250S_V	Access level: 3	Calculated: -	Data type: U32 / Binary
CU250S_V_CAN	Can be changed: U, T	Scaling: -	Dyn. index: CDS, p0170
	Units group: -	Unit selection: -	Func. diagram: 2546, 8060
	Min	Max	Factory setting
	-	-	0
Description:	Sets the second signal source to acknowledge faults.		
Note:	A fault acknowledgement is triggered with a 0/1 signal.		

p2105[0...n]	BI: 3. Acknowledge faults / 3. Acknowledge		
	Access level: 3	Calculated: -	Data type: U32 / Binary
	Can be changed: U, T	Scaling: -	Dyn. index: CDS, p0170
	Units group: -	Unit selection: -	Func. diagram: 2546, 8060
	Min	Max	Factory setting
	-	-	0
Description:	Sets the third signal source to acknowledge faults.		
Note:	A fault acknowledgement is triggered with a 0/1 signal.		

p2106[0...n]	BI: External fault 1 / External fault 1		
	Access level: 3	Calculated: -	Data type: U32 / Binary
	Can be changed: U, T	Scaling: -	Dyn. index: CDS, p0170
	Units group: -	Unit selection: -	Func. diagram: 2546
	Min	Max	Factory setting
	-	-	1
Description:	Sets the signal source for external fault 1.		
Note:	An external fault is triggered with a 1/0 signal.		

p2107[0...n]	BI: External fault 2 / External fault 2		
	Access level: 3	Calculated: -	Data type: U32 / Binary
	Can be changed: U, T	Scaling: -	Dyn. index: CDS, p0170
	Units group: -	Unit selection: -	Func. diagram: 2546
	Min	Max	Factory setting
	-	-	1
Description:	Sets the signal source for external fault 2.		
Note:	An external fault is triggered with a 1/0 signal.		

p2108[0...n]	BI: External fault 3 / External fault 3		
	Access level: 3	Calculated: -	Data type: U32 / Binary
	Can be changed: U, T	Scaling: -	Dyn. index: CDS, p0170
	Units group: -	Unit selection: -	Func. diagram: 2546
	Min	Max	Factory setting
	-	-	1
Description:	Sets the signal source for external fault 3. External fault 3 is initiated by the following AND logic operation:		
	- BI: p2108 negated		
	- BI: p3111		
	- BI: p3112 negated		
Dependency:	Refer to: p3110, p3111, p3112		
Note:	An external fault is triggered with a 1/0 signal.		

r2109[0...63]	Fault time removed in milliseconds / tflt resolved ms		
	Access level: 3	Calculated: -	Data type: Unsigned32
	Can be changed: -	Scaling: -	Dyn. index: -
	Units group: -	Unit selection: -	Func. diagram: 8050, 8060
	Min	Max	Factory setting
	- [ms]	- [ms]	- [ms]
Description:	Displays the system runtime in milliseconds when the fault was removed.		
Dependency:	Refer to: r0945, r0947, r0948, r0949, r2130, r2133, r2136		
Notice:	The time comprises r2136 (days) and r2109 (milliseconds).		
Note:	The buffer parameters are cyclically updated in the background (refer to status signal in r2139). The structure of the fault buffer and the assignment of the indices is shown in r0945.		

r2110[0...63]	Alarm number / Alarm number		
	Access level: 2	Calculated: -	Data type: Unsigned16
	Can be changed: -	Scaling: -	Dyn. index: -
	Units group: -	Unit selection: -	Func. diagram: 8065
	Min	Max	Factory setting
	-	-	-
Description:	This parameter is identical to r2122.		
p2111	Alarm counter / Alarm counter		
	Access level: 3	Calculated: -	Data type: Unsigned16
	Can be changed: U, T	Scaling: -	Dyn. index: -
	Units group: -	Unit selection: -	Func. diagram: 8050, 8065
	Min	Max	Factory setting
	0	65535	0
Description:	Number of alarms that have occurred after the last reset.		
Dependency:	When p2111 is set to 0, the following is initiated: - all of the alarms of the alarm buffer that have gone [0...7] are transferred into the alarm history [8...63]. - the alarm buffer [0...7] is deleted.		
Note:	Refer to: r2110, r2122, r2123, r2124, r2125 The parameter is reset to 0 at POWER ON.		
r2112[0...n]	BI: External alarm 1 / External alarm 1		
	Access level: 3	Calculated: -	Data type: U32 / Binary
	Can be changed: U, T	Scaling: -	Dyn. index: CDS, p0170
	Units group: -	Unit selection: -	Func. diagram: 2546
	Min	Max	Factory setting
	-	-	1
Description:	Sets the signal source for external alarm 1.		
Note:	An external alarm is triggered with a 1/0 signal.		
r2114[0...1]	System runtime total / Sys runtime tot		
	Access level: 3	Calculated: -	Data type: Unsigned32
	Can be changed: -	Scaling: -	Dyn. index: -
	Units group: -	Unit selection: -	Func. diagram: -
	Min	Max	Factory setting
	-	-	-
Description:	Displays the total system runtime for the drive unit. The time comprises r2114[0] (milliseconds) and r2114[1] (days). After r2114[0] has reached a value of 86.400.000 ms (24 hours) this value is reset and r2114[1] is incremented.		
Index:	[0] = Milliseconds [1] = Days		
Dependency:	Refer to: r0948, r2109, r2123, r2125, r2130, r2136, r2145, r2146		
Note:	When the electronic power supply is switched out, the counter values are saved. After the drive unit is powered up, the counter continues to run with the last value that was saved.		

p2116[0...n]	BI: External alarm 2 / External alarm 2		
	Access level: 3	Calculated: -	Data type: U32 / Binary
	Can be changed: U, T	Scaling: -	Dyn. index: CDS, p0170
	Units group: -	Unit selection: -	Func. diagram: 2546
	Min	Max	Factory setting
	-	-	1
Description:	Sets the signal source for external alarm 2.		
Note:	An external alarm is triggered with a 1/0 signal.		
p2117[0...n]	BI: External alarm 3 / External alarm 3		
	Access level: 3	Calculated: -	Data type: U32 / Binary
	Can be changed: U, T	Scaling: -	Dyn. index: CDS, p0170
	Units group: -	Unit selection: -	Func. diagram: 2546
	Min	Max	Factory setting
	-	-	1
Description:	Sets the signal source for external alarm 3.		
Note:	An external alarm is triggered with a 1/0 signal.		
p2118[0...19]	Change message type message number / Chng type msg_no		
	Access level: 3	Calculated: -	Data type: Unsigned16
	Can be changed: U, T	Scaling: -	Dyn. index: -
	Units group: -	Unit selection: -	Func. diagram: 8050, 8075
	Min	Max	Factory setting
	0	65535	0
Description:	Selects faults or alarms for which the message type should be changed.		
Dependency:	Selects the fault or alarm selection and sets the required type of message realized under the same index. Refer to: p2119		
Note:	Re-parameterization is also possible if a message is present. The change only becomes effective after the message has gone.		
p2119[0...19]	Change message type type / Change type type		
	Access level: 3	Calculated: -	Data type: Integer16
	Can be changed: U, T	Scaling: -	Dyn. index: -
	Units group: -	Unit selection: -	Func. diagram: 8050, 8075
	Min	Max	Factory setting
	1	3	1
Description:	Sets the message type for the selected fault or alarm.		
Value:	1: Fault (F) 2: Alarm (A) 3: No message (N)		
Dependency:	Selects the fault or alarm selection and sets the required type of message realized under the same index. Refer to: p2118		
Note:	Re-parameterization is also possible if a message is present. The change only becomes effective after the message has gone. The message type can only be changed for messages with the appropriate identification (exception, value = 0). Example: F12345(A) --> Fault F12345 can be changed to alarm A12345. In this case, the message number that may be possibly entered in p2100[0...19] and p2126[0...19] is automatically removed.		

r2120	CO: Sum of fault and alarm buffer changes / Sum buffer changed		
	Access level: 4	Calculated: -	Data type: Unsigned16
	Can be changed: -	Scaling: -	Dyn. index: -
	Units group: -	Unit selection: -	Func. diagram: 8065
	Min	Max	Factory setting
	-	-	-
Description:	Displays the sum of all of the fault and alarm buffer changes in the drive unit.		
Dependency:	Refer to: r0944, r2121		
r2121	CO: Counter alarm buffer changes / Alrm buff changed		
	Access level: 3	Calculated: -	Data type: Unsigned16
	Can be changed: -	Scaling: -	Dyn. index: -
	Units group: -	Unit selection: -	Func. diagram: 8065
	Min	Max	Factory setting
	-	-	-
Description:	This counter is incremented every time the alarm buffer changes.		
Dependency:	Refer to: r2110, r2122, r2123, r2124, r2125		
r2122[0...63]	Alarm code / Alarm code		
	Access level: 2	Calculated: -	Data type: Unsigned16
	Can be changed: -	Scaling: -	Dyn. index: -
	Units group: -	Unit selection: -	Func. diagram: 8050, 8065
	Min	Max	Factory setting
	-	-	-
Description:	Displays the number of alarms that have occurred.		
Dependency:	Refer to: r2110, r2123, r2124, r2125, r2134, r2145, r2146, r3121, r3123		
Notice:	The properties of the alarm buffer should be taken from the corresponding product documentation.		
Note:	The buffer parameters are cyclically updated in the background (refer to status signal in r2139). Alarm buffer structure (general principle): r2122[0], r2124[0], r2123[0], r2125[0] --> alarm 1 (the oldest) ... r2122[7], r2124[7], r2123[7], r2125[7] --> Alarm 8 (the latest) When the alarm buffer is full, the alarms that have gone into the alarm history: r2122[8], r2124[8], r2123[8], r2125[8] --> Alarm 1 (the latest) ... r2122[63], r2124[63], r2123[63], r2125[63] --> alarm 56 (the oldest)		
r2123[0...63]	Alarm time received in milliseconds / t_alarm rcv ms		
	Access level: 3	Calculated: -	Data type: Unsigned32
	Can be changed: -	Scaling: -	Dyn. index: -
	Units group: -	Unit selection: -	Func. diagram: 8050, 8065
	Min	Max	Factory setting
	- [ms]	- [ms]	- [ms]
Description:	Displays the system runtime in milliseconds when the alarm occurred.		
Dependency:	Refer to: r2110, r2122, r2124, r2125, r2134, r2145, r2146		
Notice:	The time comprises r2145 (days) and r2123 (milliseconds).		
Note:	The buffer parameters are cyclically updated in the background (refer to status signal in r2139). The structure of the alarm buffer and the assignment of the indices is shown in r2122.		

r2124[0...63]	Alarm value / Alarm value		
	Access level: 3	Calculated: -	Data type: Integer32
	Can be changed: -	Scaling: -	Dyn. index: -
	Units group: -	Unit selection: -	Func. diagram: 8050, 8065
	Min	Max	Factory setting
	-	-	-
Description:	Displays additional information about the active alarm (as integer number).		
Dependency:	Refer to: r2110, r2122, r2123, r2125, r2134, r2145, r2146, r3121, r3123		
Note:	The buffer parameters are cyclically updated in the background (refer to status signal in r2139). The structure of the alarm buffer and the assignment of the indices is shown in r2122.		
r2125[0...63]	Alarm time removed in milliseconds / t_alarm res ms		
	Access level: 3	Calculated: -	Data type: Unsigned32
	Can be changed: -	Scaling: -	Dyn. index: -
	Units group: -	Unit selection: -	Func. diagram: 8050, 8065
	Min	Max	Factory setting
	- [ms]	- [ms]	- [ms]
Description:	Displays the system runtime in milliseconds when the alarm was cleared.		
Dependency:	Refer to: r2110, r2122, r2123, r2124, r2134, r2145, r2146		
Notice:	The time comprises r2146 (days) and r2125 (milliseconds).		
Note:	The buffer parameters are cyclically updated in the background (refer to status signal in r2139). The structure of the alarm buffer and the assignment of the indices is shown in r2122.		
p2126[0...19]	Change acknowledge mode fault number / Chng ackn F_no		
	Access level: 3	Calculated: -	Data type: Unsigned16
	Can be changed: U, T	Scaling: -	Dyn. index: -
	Units group: -	Unit selection: -	Func. diagram: 8050, 8075
	Min	Max	Factory setting
	0	65535	0
Description:	Selects the faults for which the acknowledge mode is to be changed		
Dependency:	Selects the faults and sets the required acknowledge mode realized under the same index Refer to: p2127		
Note:	Re-parameterization is also possible if a fault is present. The change only becomes effective after the fault has been resolved.		
p2127[0...19]	Change acknowledge mode mode / Chng ackn mode		
	Access level: 3	Calculated: -	Data type: Integer16
	Can be changed: U, T	Scaling: -	Dyn. index: -
	Units group: -	Unit selection: -	Func. diagram: 8050, 8075
	Min	Max	Factory setting
	1	2	1
Description:	Sets the acknowledge mode for selected fault.		
Value:	1: Acknowledgment only using POWER ON 2: Ack IMMEDIATELY after the fault cause has been removed		
Dependency:	Selects the faults and sets the required acknowledge mode realized under the same index Refer to: p2126		
Notice:	It is not possible to re-parameterize the acknowledge mode for a fault in the following cases: - Fault number does not exist (exception value = 0). - Message type is not "fault" (F). - Acknowledge mode is not permissible for the set fault number.		
Note:	Re-parameterization is also possible if a fault is present. The change only becomes effective after the fault has been resolved. The acknowledge mode can only be changed for faults with the appropriate identification.		

2 Parameters

2.2 List of parameters

Example:

F12345 and acknowledge mode = IMMEDIATELY (POWER ON)

--> The acknowledge mode can be changed from IMMEDIATELY to POWER ON.

p2128[0...15]	Faults/alarms trigger selection / F/A trigger sel		
Access level: 3	Calculated: -	Data type: Unsigned16	
Can be changed: U, T	Scaling: -	Dyn. index: -	
Units group: -	Unit selection: -	Func. diagram: 8050, 8070	
Min	Max	Factory setting	
0	65535	0	

Description:

Sets the faults/alarms for which a trigger signal should be generated in r2129.0...15.

Dependency:

If the fault/alarm set in p2128[0...15] occurs, then the particular binector output r2129.0...15 is set.

Refer to: r2129

r2129.0...15	CO/BO: Faults/alarms trigger signal / F/A trigger signal		
Access level: 3	Calculated: -	Data type: Unsigned16	
Can be changed: -	Scaling: -	Dyn. index: -	
Units group: -	Unit selection: -	Func. diagram: 8070	
Min	Max	Factory setting	
-	-	-	

Description:

Display and BICO output for the trigger signals of the faults/alarms set in p2128[0...15].

Bit field:

Bit	Signal name	1 signal	0 signal	FP
00	Trigger signal p2128[0]	ON	OFF	-
01	Trigger signal p2128[1]	ON	OFF	-
02	Trigger signal p2128[2]	ON	OFF	-
03	Trigger signal p2128[3]	ON	OFF	-
04	Trigger signal p2128[4]	ON	OFF	-
05	Trigger signal p2128[5]	ON	OFF	-
06	Trigger signal p2128[6]	ON	OFF	-
07	Trigger signal p2128[7]	ON	OFF	-
08	Trigger signal p2128[8]	ON	OFF	-
09	Trigger signal p2128[9]	ON	OFF	-
10	Trigger signal p2128[10]	ON	OFF	-
11	Trigger signal p2128[11]	ON	OFF	-
12	Trigger signal p2128[12]	ON	OFF	-
13	Trigger signal p2128[13]	ON	OFF	-
14	Trigger signal p2128[14]	ON	OFF	-
15	Trigger signal p2128[15]	ON	OFF	-

Dependency:

If the fault/alarm set in p2128[0...15] occurs, then the particular binector output r2129.0...15 is set.

Refer to: p2128

Note:

CO: r2129 = 0 --> None of the selected messages has occurred.

CO: r2129 > 0 --> At least one of the selected messages has occurred.

r2130[0...63]	Fault time received in days / t_fault rcv days		
Access level: 3	Calculated: -	Data type: Unsigned16	
Can be changed: -	Scaling: -	Dyn. index: -	
Units group: -	Unit selection: -	Func. diagram: 8060	
Min	Max	Factory setting	
-	-	-	

Description:

Displays the system runtime in days when the fault occurred.

Dependency:

Refer to: r0945, r0947, r0948, r0949, r2109, r2133, r2136

Notice:

The time comprises r2130 (days) and r0948 (milliseconds).

The value displayed in p2130 refers to 01.01.1970.

Note:

The buffer parameters are cyclically updated in the background (refer to status signal in r2139).

r2131	CO: Actual fault code / Act fault code				
	Access level: 2	Calculated: -	Data type: Unsigned16		
	Can be changed: -	Scaling: -	Dyn. index: -		
	Units group: -	Unit selection: -	Func. diagram: 8060		
	Min	Max	Factory setting		
	-	-	-		
Description:	Displays the code of the oldest active fault.				
Dependency:	Refer to: r3131, r3132				
Note:	0: No fault present.				
r2132	CO: Actual alarm code / Actual alarm code				
	Access level: 2	Calculated: -	Data type: Unsigned16		
	Can be changed: -	Scaling: -	Dyn. index: -		
	Units group: -	Unit selection: -	Func. diagram: 8065		
	Min	Max	Factory setting		
	-	-	-		
Description:	Displays the code of the last alarm that occurred.				
Note:	0: No alarm present.				
r2133[0...63]	Fault value for float values / Fault val float				
	Access level: 3	Calculated: -	Data type: FloatingPoint32		
	Can be changed: -	Scaling: -	Dyn. index: -		
	Units group: -	Unit selection: -	Func. diagram: 8060		
	Min	Max	Factory setting		
	-	-	-		
Description:	Displays additional information about the fault that occurred for float values.				
Dependency:	Refer to: r0945, r0947, r0948, r0949, r2109, r2130, r2136				
Note:	The buffer parameters are cyclically updated in the background (refer to status signal in r2139).				
r2134[0...63]	Alarm value for float values / Alarm value float				
	Access level: 3	Calculated: -	Data type: FloatingPoint32		
	Can be changed: -	Scaling: -	Dyn. index: -		
	Units group: -	Unit selection: -	Func. diagram: 8065		
	Min	Max	Factory setting		
	-	-	-		
Description:	Displays additional information about the active alarm for float values.				
Dependency:	Refer to: r2110, r2122, r2123, r2124, r2125, r2145, r2146, r3121, r3123				
Note:	The buffer parameters are cyclically updated in the background (refer to status signal in r2139).				
r2135.12...15	CO/BO: Status word faults/alarms 2 / ZSW fault/alarm 2				
	Access level: 2	Calculated: -	Data type: Unsigned16		
	Can be changed: -	Scaling: -	Dyn. index: -		
	Units group: -	Unit selection: -	Func. diagram: 2548		
	Min	Max	Factory setting		
	-	-	-		
Description:	Display and BICO output for the second status word of faults and alarms.				
Bit field:	Bit	Signal name	1 signal	0 signal	FP
	12	Fault motor overtemperature	Yes	No	8016
	13	Fault power unit thermal overload	Yes	No	8014
	14	Alarm motor overtemperature	Yes	No	8016
	15	Alarm power unit thermal overload	Yes	No	8014

2 Parameters

2.2 List of parameters

r2136[0...63]	Fault time removed in days / t_fit resolv days		
Access level: 3	Calculated: -	Data type: Unsigned16	
Can be changed: -	Scaling: -	Dyn. index: -	
Units group: -	Unit selection: -	Func. diagram: 8060	
Min	Max	Factory setting	
-	-	-	
Description:	Displays the system runtime in days when the fault was removed.		
Dependency:	Refer to: r0945, r0947, r0948, r0949, r2109, r2130, r2133		
Notice:	The time comprises r2136 (days) and r2109 (milliseconds).		
Note:	The buffer parameters are cyclically updated in the background (refer to status signal in r2139).		

r2138.7...15	CO/BO: Control word faults/alarms / STW fault/alarm			
Access level: 2	Calculated: -	Data type: Unsigned16		
Can be changed: -	Scaling: -	Dyn. index: -		
Units group: -	Unit selection: -	Func. diagram: 2546		
Min	Max	Factory setting		
-	-	-		
Description:	Display and BICO output for the control word of faults and alarms.			
Bit field:	Bit	Signal name	1 signal	0 signal
	07	Acknowledge fault	Yes	No
	10	External alarm 1 (A07850) effective	Yes	No
	11	External alarm 2 (A07851) effective	Yes	No
	12	External alarm 3 (A07852) effective	Yes	No
	13	External fault 1 (F07860) effective	Yes	No
	14	External fault 2 (F07861) effective	Yes	No
	15	External fault 3 (F07862) effective	Yes	No
				FP
				8060
				8065
				8065
				8065
				8060
				8060
				8060
Dependency:	Refer to: p2103, p2104, p2105, p2106, p2107, p2108, p2112, p2116, p2117, p3110, p3111, p3112			

r2139.0...15	CO/BO: Status word faults/alarms 1 / ZSW fault/alarm 1			
Access level: 2	Calculated: -	Data type: Unsigned16		
Can be changed: -	Scaling: -	Dyn. index: -		
Units group: -	Unit selection: -	Func. diagram: 2548		
Min	Max	Factory setting		
-	-	-		
Description:	Display and BICO output for status word 1 of faults and alarms.			
Bit field:	Bit	Signal name	1 signal	0 signal
	00	Being acknowledged	Yes	No
	01	Acknowledgment required	Yes	No
	03	Fault present	Yes	No
	06	Internal message 1 present	Yes	No
	07	Alarm present	Yes	No
	08	Internal message 2 present	Yes	No
	11	Alarm class bit 0	High	Low
	12	Alarm class bit 1	High	Low
	13	Maintenance required	Yes	No
	14	Maintenance urgently required	Yes	No
	15	Fault gone/can be acknowledged	Yes	No
				FP
				-
				-
				8060
				-
				8065
				-
				-
				-
				-
Note:	Re bit 03, 07: These bits are set if at least one fault/alarm occurs. Data is entered into the fault/alarm buffer with delay. This is the reason that the fault/alarm buffer should only be read if, after "fault present" or "alarm present" has occurred, a change in the buffer was also detected (r0944, r9744, r2121).			
	Re bit 06, 08: These status bits are used for internal diagnostic purposes only.			
	Re bit 11, 12: These status bits are used for the classification of internal alarm classes and are intended for diagnostic purposes only on certain automation systems with integrated SINAMICS functionality.			

p2140[0...n]	Hysteresis speed 2 / n_hysteresis 2		
	Access level: 3	Calculated: p0340 = 1,3,5	Data type: FloatingPoint32
	Can be changed: U, T	Scaling: -	Dyn. index: DDS, p0180
	Units group: 3_1	Unit selection: p0505	Func. diagram: 8010
	Min 0.00 [rpm]	Max 300.00 [rpm]	Factory setting 90.00 [rpm]
Description:	Sets the hysteresis speed (bandwidth) for the following signals: " n_act <= speed threshold value 2" (BO: r2197.1) " n_act > speed threshold value 2" (BO: r2197.2)		
Dependency:	Refer to: p2155, r2197		
p2141[0...n]	Speed threshold 1 / n_thresh val 1		
	Access level: 3	Calculated: p0340 = 1,3,5	Data type: FloatingPoint32
	Can be changed: U, T	Scaling: -	Dyn. index: DDS, p0180
	Units group: 3_1	Unit selection: p0505	Func. diagram: 8010
	Min 0.00 [rpm]	Max 210000.00 [rpm]	Factory setting 5.00 [rpm]
Description:	Sets the speed threshold value for the signal "f or n comparison value reached or exceeded" (BO: r2199.1).		
Dependency:	Refer to: p2142, r2199		
p2142[0...n]	Hysteresis speed 1 / n_hysteresis 1		
	Access level: 3	Calculated: p0340 = 1,3,5	Data type: FloatingPoint32
	Can be changed: U, T	Scaling: -	Dyn. index: DDS, p0180
	Units group: 3_1	Unit selection: p0505	Func. diagram: 8010
	Min 0.00 [rpm]	Max 300.00 [rpm]	Factory setting 2.00 [rpm]
Description:	Sets the hysteresis speed (bandwidth) for the signal "f or n / v comparison value reached or exceeded" (BO: r2199.1).		
Dependency:	Refer to: p2141, r2199		
p2144[0...n]	BI: Motor stall monitoring enable (negated) / Mot stall enab neg		
	Access level: 4	Calculated: -	Data type: U32 / Binary
	Can be changed: U, T	Scaling: -	Dyn. index: CDS, p0170
	Units group: -	Unit selection: -	Func. diagram: 8012
	Min -	Max -	Factory setting 0
Description:	Sets the signal source for the negated enable (0 = enable) of the motor stall monitoring.		
Dependency:	Refer to: p2163, p2164, p2166, r2197, r2198		
Note:	When interconnecting the enable signal with r2197.7 then the stall signal is suppressed if there is no speed setpoint - actual value deviation.		
r2145[0...63]	Alarm time received in days / t_alarm recv days		
	Access level: 3	Calculated: -	Data type: Unsigned16
	Can be changed: -	Scaling: -	Dyn. index: -
	Units group: -	Unit selection: -	Func. diagram: 8065
	Min -	Max -	Factory setting -
Description:	Displays the system runtime in days when the alarm occurred.		
Dependency:	Refer to: r2110, r2122, r2123, r2124, r2125, r2134, r2146		
Notice:	The time comprises r2145 (days) and r2123 (milliseconds).		
Note:	The buffer parameters are cyclically updated in the background (refer to status signal in r2139).		

r2146[0...63]	Alarm time removed in days / t_alarm res days		
	Access level: 3	Calculated: -	Data type: Unsigned16
	Can be changed: -	Scaling: -	Dyn. index: -
	Units group: -	Unit selection: -	Func. diagram: 8065
	Min	Max	Factory setting
	-	-	-
Description:	Displays the system runtime in days when the alarm was cleared.		
Dependency:	Refer to: r2110, r2122, r2123, r2124, r2125, r2134, r2145		
Notice:	The time comprises r2146 (days) and r2125 (milliseconds).		
Note:	The buffer parameters are cyclically updated in the background (refer to status signal in r2139).		

p2148[0...n]	BI: RFG active / RFG active		
	Access level: 3	Calculated: p0340 = 1,3,5	Data type: U32 / Binary
	Can be changed: U, T	Scaling: -	Dyn. index: CDS, p0170
	Units group: -	Unit selection: -	Func. diagram: 8011
	Min	Max	Factory setting
	-	-	0
Description:	Sets the signal source for the signal "ramp-function generator active" for the following signals/messages: "Speed setpoint - actual value deviation within tolerance t_on" (BO: r2199.4) "Ramp-up/ramp-down completed" (BO: r2199.5)		
Notice:	The parameter may be protected as a result of p0922 or p2079 and cannot be changed.		
Note:	The binector input is automatically interconnected to r1199.2 as a default setting.		

p2149[0...n]	Monitoring configuration / Monit config				
	Access level: 3	Calculated: -	Data type: Unsigned16		
	Can be changed: U, T	Scaling: -	Dyn. index: DDS, p0180		
	Units group: -	Unit selection: -	Func. diagram: -		
	Min	Max	Factory setting		
	-	-	0000 1001 bin		
Description:	Sets the configuration for messages and monitoring functions.				
Bit field:	Bit	Signal name	1 signal	0 signal	FP
	00	Enable alarm A07903	Yes	No	8011
	01	Load monitoring only in the 1st quadrant	Yes	No	8013
	03	n_act > p2155 own hysteresis	Yes	No	8010
	05	Stall monitoring for encoderless speed control	Yes	No	-
Dependency:	Refer to: r2197				
Note:	Re bit 00: Alarm A07903 is output when the bit is set with r2197.7 = 0 (n_set <> n_act).				
	Re bit 01: When the bit is set, load monitoring is only carried out in the 1st quadrant as a result of the positive characteristic parameters (p2182 ... p2190).				
	Re bit 03: When the bit is set, r2197.1 and r2197.2 are determined using separate hysteresis functions.				
	Re bit 05: When this bit is set, a change to open-loop speed controlled operation is only possible when the motor is stationary.				

p2150[0...n]	Hysteresis speed 3 / n_hysteresis 3		
	Access level: 3	Calculated: p0340 = 1,3,5	Data type: FloatingPoint32
	Can be changed: U, T	Scaling: -	Dyn. index: DDS, p0180
	Units group: 3_1	Unit selection: p0505	Func. diagram: 8010, 8011, 8020
	Min 0.00 [rpm]	Max 300.00 [rpm]	Factory setting 2.00 [rpm]
Description:	Sets the hysteresis speed (bandwidth) for the following signals: " n_act < speed threshold value 3" (BO: r2199.0) "n_set >= 0" (BO: r2198.5) "n_act >= 0" (BO: r2197.3)		
Dependency:	Refer to: p2161, r2197, r2199		
p2151[0...n]	Cl: Speed setpoint for messages/signals / n_set for msg		
	Access level: 3	Calculated: -	Data type: U32 / FloatingPoint32
	Can be changed: T	Scaling: p2000	Dyn. index: CDS, p0170
	Units group: -	Unit selection: -	Func. diagram: 8011
	Min -	Max -	Factory setting 1170[0]
Description:	Sets the signal source for the speed setpoint for the following messages: "Speed setpoint - actual value deviation within tolerance t_off" (BO: r2197.7) "Ramp-up/ramp-down completed" (BO: r2199.5) " n_set < p2161" (BO: r2198.4) "n_set > 0" (BO: r2198.5)		
Dependency:	Refer to: r2197, r2198, r2199		
p2152[0...n]	Delay for comparison n > n_max / Del n > n_max		
CU250S_V (Ext msg)	Access level: 3	Calculated: -	Data type: Unsigned16
CU250S_V_CAN (Ext msg)	Can be changed: U, T	Scaling: -	Dyn. index: DDS, p0180
CU250S_V_DP (Ext msg)	Units group: -	Unit selection: -	Func. diagram: -
CU250S_V_PN (Ext msg)	Min 0 [ms]	Max 10000 [ms]	Factory setting 200 [ms]
Description:	Delay time for the comparison of the speed with the maximum speed.		
Dependency:	Refer to: p1082, r1084, r1087, p2162		
p2153[0...n]	Speed actual value filter time constant / n_act_filt T		
	Access level: 3	Calculated: -	Data type: FloatingPoint32
	Can be changed: U, T	Scaling: -	Dyn. index: DDS, p0180
	Units group: -	Unit selection: -	Func. diagram: 8010
	Min 0 [ms]	Max 1000000 [ms]	Factory setting 0 [ms]
Description:	Sets the time constant of the PT1 element to smooth the speed / velocity actual value. The smoothed actual speed/velocity is compared with the threshold values and is only used for messages and signals.		
Dependency:	Refer to: r2169		

2 Parameters

2.2 List of parameters

p2155[0...n]	Speed threshold 2 / n_thresh val 2		
	Access level: 3	Calculated: p0340 = 1,3,5	Data type: FloatingPoint32
	Can be changed: U, T	Scaling: -	Dyn. index: DDS, p0180
	Units group: 3_1	Unit selection: p0505	Func. diagram: 8010
	Min	Max	Factory setting
	0.00 [rpm]	210000.00 [rpm]	900.00 [rpm]
Description:	Sets the speed threshold value for the following messages: " n_act <= speed threshold value 2" (BO: r2197.1) " n_act > speed threshold value 2" (BO: r2197.2)		
Dependency:	Refer to: p2140, r2197		
<hr/>			
p2156[0...n]	On delay comparison value reached / t_on cmpr val rchd		
	Access level: 3	Calculated: -	Data type: FloatingPoint32
	Can be changed: U, T	Scaling: -	Dyn. index: DDS, p0180
	Units group: -	Unit selection: -	Func. diagram: 8010
	Min	Max	Factory setting
	0.0 [ms]	10000.0 [ms]	0.0 [ms]
Description:	Sets the switch-in delay time for the signal "comparison value reached" (BO: r2199.1).		
Dependency:	Refer to: p2141, p2142, r2199		
<hr/>			
p2157[0...n]	Speed threshold 5 / n_thresh val 5		
CU250S_V (Ext msg)	Access level: 3	Calculated: p0340 = 1,3,5	Data type: FloatingPoint32
CU250S_V_CAN (Ext msg)	Can be changed: U, T	Scaling: -	Dyn. index: DDS, p0180
CU250S_V_DP (Ext msg)	Units group: 3_1	Unit selection: p0505	Func. diagram: -
CU250S_V_PN (Ext msg)	Min	Max	Factory setting
	0.00 [rpm]	210000.00 [rpm]	900.00 [rpm]
Description:	Sets the speed threshold value for the following messages: " n_act <= speed threshold value 5" (BO: r2198.0) " n_act > speed threshold value 5" (BO: r2198.1)		
Dependency:	Refer to: p2150, p2158		
<hr/>			
p2158[0...n]	Delay for n_act comparison with speed threshold value 5 / Del compar n_5		
CU250S_V (Ext msg)	Access level: 3	Calculated: -	Data type: Unsigned16
CU250S_V_CAN (Ext msg)	Can be changed: U, T	Scaling: -	Dyn. index: DDS, p0180
CU250S_V_DP (Ext msg)	Units group: -	Unit selection: -	Func. diagram: -
CU250S_V_PN (Ext msg)	Min	Max	Factory setting
	0 [ms]	10000 [ms]	10 [ms]
Description:	Delay time for the comparison of the speed with the speed threshold value 5 (P2157).		
Dependency:	Refer to: p2150, p2157		

p2159[0...n]	Speed threshold 6 / n_thresh val 6		
CU250S_V (Ext msg)	Access level: 3	Calculated: p0340 = 1,3,5	Data type: FloatingPoint32
CU250S_V_CAN (Ext msg)	Can be changed: U, T	Scaling: -	Dyn. index: DDS, p0180
CU250S_V_DP (Ext msg)	Units group: 3_1	Unit selection: p0505	Func. diagram: -
CU250S_V_PN (Ext msg)	Min	Max	Factory setting
	0.00 [rpm]	210000.00 [rpm]	900.00 [rpm]
Description:	Sets the speed threshold value for the following messages: " n_act <= speed threshold value 6" (BO: r2198.2) " n_act > speed threshold value 6" (BO: r2198.3)		
Dependency:	Refer to: p2150, p2160		
p2160[0...n]	Delay for n_act comparison with speed threshold value 6 / Del compar n_6		
CU250S_V (Ext msg)	Access level: 3	Calculated: -	Data type: Unsigned16
CU250S_V_CAN (Ext msg)	Can be changed: U, T	Scaling: -	Dyn. index: DDS, p0180
CU250S_V_DP (Ext msg)	Units group: -	Unit selection: -	Func. diagram: -
CU250S_V_PN (Ext msg)	Min	Max	Factory setting
	0 [ms]	10000 [ms]	10 [ms]
Description:	Sets the delay time for the comparison of the speed with the speed threshold value 6 (p2159).		
Dependency:	Refer to: p2150, p2159		
p2161[0...n]	Speed threshold 3 / n_thresh val 3		
	Access level: 3	Calculated: p0340 = 1,3,5	Data type: FloatingPoint32
	Can be changed: U, T	Scaling: -	Dyn. index: DDS, p0180
	Units group: 3_1	Unit selection: p0505	Func. diagram: 8010, 8011
	Min	Max	Factory setting
	0.00 [rpm]	210000.00 [rpm]	5.00 [rpm]
Description:	Sets the speed threshold value for the signal " n_act < speed threshold value 3" (BO: r2199.0).		
Dependency:	Refer to: p2150, r2199		
p2162[0...n]	Hysteresis speed n_act > n_max / Hyst n_act>n_max		
	Access level: 3	Calculated: p0340 = 1,3,5	Data type: FloatingPoint32
	Can be changed: U, T	Scaling: -	Dyn. index: DDS, p0180
	Units group: 3_1	Unit selection: p0505	Func. diagram: 8010
	Min	Max	Factory setting
	0.00 [rpm]	60000.00 [rpm]	0.00 [rpm]
Description:	Sets the hysteresis speed (bandwidth) for the signal "n_act > n_max" (BO: r2197.6).		
Dependency:	Refer to: r1084, r1087, r2197		
Notice:	For p0322 = 0, the following applies: p2162 <= 0.1 * p0311 For p0322 > 0, the following applies: p2162 <= 1.02 * p0322 - p1082 If one of the conditions is violated, p2162 is appropriately and automatically reduced when exiting the commissioning mode.		
Note:	For a negative speed limit (r1087) the hysteresis is effective below the limit value and for a positive speed limit (r1084) above the limit value. If significant overshoot occurs in the maximum speed range (e.g. due to load shedding), you are advised to increase the dynamic response of the speed controller (if possible). If this is insufficient, the hysteresis p2162 can only be increased by more than 10% of the rated speed when the maximum speed (p0322) of the motor is sufficiently greater than the speed limit p1082.		

p2163[0...n]	Speed threshold 4 / n_thresh val 4		
	Access level: 3	Calculated: p0340 = 1,3,5	Data type: FloatingPoint32
	Can be changed: U, T	Scaling: -	Dyn. index: DDS, p0180
	Units group: 3_1	Unit selection: p0505	Func. diagram: 8011
	Min	Max	Factory setting
	0.00 [rpm]	210000.00 [rpm]	90.00 [rpm]
Description:	Sets the speed threshold value for the "speed setpoint - actual value deviation in tolerance t_off" signal/message (BO: r2197.7).		
Dependency:	Refer to: p2164, p2166, r2197		
p2164[0...n]	Hysteresis speed 4 / n_hysteresis 4		
	Access level: 3	Calculated: p0340 = 1,3,5	Data type: FloatingPoint32
	Can be changed: U, T	Scaling: -	Dyn. index: DDS, p0180
	Units group: 3_1	Unit selection: p0505	Func. diagram: 8011
	Min	Max	Factory setting
	0.00 [rpm]	200.00 [rpm]	2.00 [rpm]
Description:	Sets the hysteresis speed (bandwidth) for the "speed setpoint - actual value deviation in tolerance t_off" signal/message (BO: r2197.7).		
Dependency:	Refer to: p2163, p2166, r2197		
p2166[0...n]	Off delay n_act = n_set / t_del_off n_i=n_so		
	Access level: 3	Calculated: -	Data type: FloatingPoint32
	Can be changed: U, T	Scaling: -	Dyn. index: DDS, p0180
	Units group: -	Unit selection: -	Func. diagram: 8011
	Min	Max	Factory setting
	0.0 [ms]	10000.0 [ms]	200.0 [ms]
Description:	Sets the switch-off delay time for the "speed setpoint - actual value deviation in tolerance t_off" signal/message (BO: r2197.7).		
Dependency:	Refer to: p2163, p2164, r2197		
p2167[0...n]	Switch-on delay n_act = n_set / t_on n_act=n_set		
	Access level: 3	Calculated: -	Data type: FloatingPoint32
	Can be changed: U, T	Scaling: -	Dyn. index: DDS, p0180
	Units group: -	Unit selection: -	Func. diagram: 8011
	Min	Max	Factory setting
	0.0 [ms]	10000.0 [ms]	200.0 [ms]
Description:	Sets the switch-on delay for the "speed setpoint - actual value deviation in tolerance t_on" signal/message (BO: r2199.4).		
r2169	CO: Actual speed smoothed signals / n_act smth message		
	Access level: 2	Calculated: -	Data type: FloatingPoint32
	Can be changed: -	Scaling: p2000	Dyn. index: -
	Units group: 3_1	Unit selection: p0505	Func. diagram: 8010
	Min	Max	Factory setting
	- [rpm]	- [rpm]	- [rpm]
Description:	Display and connector output of the smoothed speed actual value for messages.		
Dependency:	Refer to: p2153		

p2170[0...n]	Current threshold value / I_thres		
CU250S_V (Ext msg)	Access level: 3	Calculated: p0340 = 1,3,5	Data type: FloatingPoint32
CU250S_V_CAN (Ext msg)	Can be changed: U, T	Scaling: p2002	Dyn. index: DDS, p0180
CU250S_V_DP (Ext msg)	Units group: 6_2	Unit selection: p0505	Func. diagram: 8020
CU250S_V_PN (Ext msg)	Min 0.00 [Arms]	Max 10000.00 [Arms]	Factory setting 0.00 [Arms]
Description:	Sets the absolute current threshold for the messages. "I_act >= I_threshold p2170" (BO: r2197.8) "I_act < I_threshold p2170" (BO: r2198.8)		
Dependency:	Refer to: p2171		
p2171[0...n]	Current threshold value reached delay time / I_thresh rch t_del		
CU250S_V (Ext msg)	Access level: 3	Calculated: -	Data type: Unsigned16
CU250S_V_CAN (Ext msg)	Can be changed: U, T	Scaling: -	Dyn. index: DDS, p0180
CU250S_V_DP (Ext msg)	Units group: -	Unit selection: -	Func. diagram: 8020
CU250S_V_PN (Ext msg)	Min 0 [ms]	Max 10000 [ms]	Factory setting 10 [ms]
Description:	Sets the delay time for the comparison of the current actual value (r0068) with the current threshold value (p2170).		
Dependency:	Refer to: p2170		
p2172[0...n]	DC link voltage threshold value / Vdc thresh val		
CU250S_V (Ext msg)	Access level: 3	Calculated: -	Data type: FloatingPoint32
CU250S_V_CAN (Ext msg)	Can be changed: U, T	Scaling: p2001	Dyn. index: DDS, p0180
CU250S_V_DP (Ext msg)	Units group: 5_2	Unit selection: p0505	Func. diagram: -
CU250S_V_PN (Ext msg)	Min 0 [V]	Max 2000 [V]	Factory setting 800 [V]
Description:	Sets the DC link voltage threshold value for the following messages: "Vdc_act <= Vdc_threshold p2172" (BO: r2197.9) "Vdc_act > Vdc_threshold p2172" (BO: r2197.10)		
Dependency:	Refer to: p2173		
p2173[0...n]	DC link voltage comparison delay time / t_del Vdc		
CU250S_V (Ext msg)	Access level: 3	Calculated: -	Data type: Unsigned16
CU250S_V_CAN (Ext msg)	Can be changed: U, T	Scaling: -	Dyn. index: DDS, p0180
CU250S_V_DP (Ext msg)	Units group: -	Unit selection: -	Func. diagram: -
CU250S_V_PN (Ext msg)	Min 0 [ms]	Max 10000 [ms]	Factory setting 10 [ms]
Description:	Sets the delay time for the comparison of the DC link voltage r0070 with the threshold value p2172.		
Dependency:	Refer to: p2172		

p2174[0...n]	Torque threshold value 1 / M_thresh val 1		
	Access level: 3	Calculated: -	Data type: FloatingPoint32
	Can be changed: U, T	Scaling: -	Dyn. index: DDS, p0180
	Units group: 7_1	Unit selection: p0505	Func. diagram: 8012
	Min	Max	Factory setting
	0.00 [Nm]	20000000.00 [Nm]	5.13 [Nm]
Description:	Sets the torque threshold value for the messages: "Torque setpoint < torque threshold value 1 and n_set reached" (BO: r2198.9) "Torque setpoint < torque threshold value 1" (BO: r2198.10) "Torque setpoint > torque threshold value 1" (BO: r2198.13)		
Dependency:	Refer to: p2195, r2198		
p2175[0...n]	Motor blocked speed threshold / Mot lock n_thresh		
	Access level: 3	Calculated: p0340 = 1,3,5	Data type: FloatingPoint32
	Can be changed: U, T	Scaling: -	Dyn. index: DDS, p0180
	Units group: 3_1	Unit selection: p0505	Func. diagram: 8012
	Min	Max	Factory setting
	0.00 [rpm]	210000.00 [rpm]	120.00 [rpm]
Description:	Sets the speed threshold for the message "Motor blocked" (BO: r2198.6).		
Dependency:	Refer to: p0500, p2177, r2198		
Note:	The following applies for encoderless vector control for induction motors: At low speeds in open-loop speed controlled operation (see p1755, p1756), a blocked motor cannot be detected. The following applies for encoderless vector control for permanent magnet synchronous motors: At low speeds in open-loop speed controlled operation (see p1755, p1756), a blocked motor can only be detected if p2175 = p1755, and p1750.6 is set to 1.		
p2176[0...n]	Torque threshold value comparison delay time / M_thrsh comp T_del		
CU250S_V (Ext msg)	Access level: 3	Calculated: -	Data type: Unsigned16
CU250S_V_CAN (Ext msg)	Can be changed: U, T	Scaling: -	Dyn. index: DDS, p0180
CU250S_V_DP (Ext msg)	Units group: -	Unit selection: -	Func. diagram: -
CU250S_V_PN (Ext msg)	Min	Max	Factory setting
	0 [ms]	10000 [ms]	200 [ms]
Description:	Sets the delay time for the comparison of the torque actual value (r0080) with torque threshold value 1 (p2174).		
Dependency:	Refer to: p2174		
p2177[0...n]	Motor blocked delay time / Mot lock t_del		
	Access level: 3	Calculated: p0340 = 1,3,5	Data type: FloatingPoint32
	Can be changed: U, T	Scaling: -	Dyn. index: DDS, p0180
	Units group: -	Unit selection: -	Func. diagram: 8012
	Min	Max	Factory setting
	0.000 [s]	65.000 [s]	3.000 [s]
Description:	Sets the delay time for the message "Motor blocked" (BO: r2198.6).		
Dependency:	Refer to: p0500, p2175, r2198		
Note:	The following applies for sensorless vector control: At low speeds a locked motor can only be detected if no change is made to open-loop speed controlled operation. If this is the case, the value in p2177 must be reduced accordingly (p2177 < p1758) before time p2177 has elapsed in order to detect the locked state reliably. As countermeasure, it is generally also possible to set p1750.6. This is only not permitted if the drive is slowly reversed by the load at the torque limit (speed below p1755 for longer than p1758).		

p2178[0...n]	Motor stalled delay time / Mot stall t_{del}		
	Access level: 3	Calculated: p0340 = 1,3	Data type: FloatingPoint32
	Can be changed: U, T	Scaling: -	Dyn. index: DDS, p0180
	Units group: -	Unit selection: -	Func. diagram: 8012
	Min	Max	Factory setting
	0.000 [s]	10.000 [s]	0.010 [s]
Description:	Sets the delay time for the message "Motor stalled" (BO: r2198.7).		
Dependency:	Refer to: r2198		
Note:	In the open-loop speed controlled operating range (see p1755, p1756), vector control stall monitoring depends on threshold p1745. At higher speeds, the difference between flux setpoint r0083 and flux actual value r0084 is monitored.		
p2179[0...n]	Output load identification current limit / Outp_Id iden I_{lim}		
CU250S_V (Ext msg)	Access level: 3	Calculated: p0340 = 1,3,5	Data type: FloatingPoint32
CU250S_V_CAN (Ext msg)	Can be changed: U, T	Scaling: p2002	Dyn. index: DDS, p0180
CU250S_V_DP (Ext msg)	Units group: 6_2	Unit selection: p0505	Func. diagram: 8020
CU250S_V_PN (Ext msg)	Min	Max	Factory setting
	0.00 [Arms]	1000.00 [Arms]	0.00 [Arms]
Description:	Sets the current limit for output load identification. A missing output load is displayed using the "Output load not available" message (r2197.11 = 1). This message is output with a delay time (p2180).		
Dependency:	Refer to: p2180		
Notice:	For synchronous motors the output current can be almost zero under no load conditions.		
Note:	Missing output load is signaled in the following cases: - the motor is not connected. - a phase failure has occurred.		
p2180[0...n]	Output load detection delay time / Out_load det t_{del}		
CU250S_V (Ext msg)	Access level: 3	Calculated: -	Data type: Unsigned16
CU250S_V_CAN (Ext msg)	Can be changed: U, T	Scaling: -	Dyn. index: DDS, p0180
CU250S_V_DP (Ext msg)	Units group: -	Unit selection: -	Func. diagram: 8020
CU250S_V_PN (Ext msg)	Min	Max	Factory setting
	0 [ms]	10000 [ms]	2000 [ms]
Description:	Sets the delay time for the message "output load not available" (r2197.11 = 1).		
Dependency:	Refer to: p2179		
p2181[0...n]	Load monitoring response / Load monit resp		
CU250S_V (Ext msg)	Access level: 3	Calculated: -	Data type: Integer16
CU250S_V_CAN (Ext msg)	Can be changed: U, T	Scaling: -	Dyn. index: DDS, p0180
CU250S_V_DP (Ext msg)	Units group: -	Unit selection: -	Func. diagram: 8013
CU250S_V_PN (Ext msg)	Min	Max	Factory setting
	0	6	0
Description:	Sets the response when evaluating the load monitoring.		
Value:	0: Load monitoring disabled 1: A07920 for torque/speed too low 2: A07921 for torque/speed too high 3: A07922 for torque/speed out of tolerance 4: F07923 for torque/speed too low 5: F07924 for torque/speed too high 6: F07925 for torque/speed out of tolerance		

2 Parameters

2.2 List of parameters

Dependency: Refer to: p2182, p2183, p2184, p2185, p2186, p2187, p2188, p2189, p2190, p2192, p2193, r2198, p3230, p3231
Note: The response to the faults F07923 ... F07925 can be set.
This parameter setting has no effect on the production of fault F07936.

p2182[0...n] Load monitoring speed threshold value 1 / n_thresh 1

CU250S_V (Ext msg)	Access level: 3	Calculated: -	Data type: FloatingPoint32
CU250S_V_CAN (Ext msg)	Can be changed: U, T	Scaling: -	Dyn. index: DDS, p0180
CU250S_V_DP (Ext msg)	Units group: 3_1	Unit selection: p0505	Func. diagram: 8013
CU250S_V_PN (Ext msg)	Min 0.00 [rpm]	Max 210000.00 [rpm]	Factory setting 150.00 [rpm]

Description: Sets the speed/torque envelope curve for load monitoring.
The envelope curve (upper and lower envelope curve) is defined as follows based on 3 speed thresholds:
p2182 (n_threshold 1) --> p2185 (M_threshold 1, upper), p2186 (M_threshold 1, lower)
p2183 (n_threshold 2) --> p2187 (M_threshold 2, upper), p2188 (M_threshold 2, lower)
p2184 (n_threshold 3) --> p2189 (M_threshold 3, upper), p2190 (M_threshold 3, lower)

Dependency: The following applies: p2182 < p2183 < p2184
Refer to: p2183, p2184, p2185, p2186

Note: In order that the load monitoring can reliably respond, the speed threshold p2182 should always be set lower than the minimum motor speed to be monitored.

p2183[0...n] Load monitoring speed threshold value 2 / n_thresh 2

CU250S_V (Ext msg)	Access level: 3	Calculated: -	Data type: FloatingPoint32
CU250S_V_CAN (Ext msg)	Can be changed: U, T	Scaling: -	Dyn. index: DDS, p0180
CU250S_V_DP (Ext msg)	Units group: 3_1	Unit selection: p0505	Func. diagram: 8013
CU250S_V_PN (Ext msg)	Min 0.00 [rpm]	Max 210000.00 [rpm]	Factory setting 900.00 [rpm]

Description: Sets the speed/torque envelope curve for load monitoring.
The envelope curve (upper and lower envelope curve) is defined as follows based on 3 speed thresholds:
p2182 (n_threshold 1) --> p2185 (M_threshold 1, upper), p2186 (M_threshold 1, lower)
p2183 (n_threshold 2) --> p2187 (M_threshold 2, upper), p2188 (M_threshold 2, lower)
p2184 (n_threshold 3) --> p2189 (M_threshold 3, upper), p2190 (M_threshold 3, lower)

Dependency: The following applies: p2182 < p2183 < p2184
Refer to: p2182, p2184, p2187, p2188

p2184[0...n] Load monitoring speed threshold value 3 / n_thresh 3

CU250S_V (Ext msg)	Access level: 3	Calculated: -	Data type: FloatingPoint32
CU250S_V_CAN (Ext msg)	Can be changed: U, T	Scaling: -	Dyn. index: DDS, p0180
CU250S_V_DP (Ext msg)	Units group: 3_1	Unit selection: p0505	Func. diagram: 8013
CU250S_V_PN (Ext msg)	Min 0.00 [rpm]	Max 210000.00 [rpm]	Factory setting 1500.00 [rpm]

Description: Sets the speed/torque envelope curve for load monitoring.
The envelope curve (upper and lower envelope curve) is defined as follows based on 3 speed thresholds:
p2182 (n_threshold 1) --> p2185 (M_threshold 1, upper), p2186 (M_threshold 1, lower)
p2183 (n_threshold 2) --> p2187 (M_threshold 2, upper), p2188 (M_threshold 2, lower)
p2184 (n_threshold 3) --> p2189 (M_threshold 3, upper), p2190 (M_threshold 3, lower)

Dependency: The following applies: p2182 < p2183 < p2184
Refer to: p2182, p2183, p2189, p2190

Note: In order that the load monitoring can reliably respond, the speed threshold p2184 should always be set higher than the maximum motor speed to be monitored.

p2185[0...n] Load monitoring torque threshold 1 upper / M_thresh 1 upper			
CU250S_V (Ext msg)	Access level: 3	Calculated: -	Data type: FloatingPoint32
CU250S_V_CAN (Ext msg)	Can be changed: U, T	Scaling: -	Dyn. index: DDS, p0180
CU250S_V_DP (Ext msg)	Units group: 7_1	Unit selection: p0505	Func. diagram: 8013
CU250S_V_PN (Ext msg)	Min 0.00 [Nm]	Max 20000000.00 [Nm]	Factory setting 10000000.00 [Nm]
Description:	Sets the speed/torque envelope curve for load monitoring.		
Dependency:	The following applies: p2185 > p2186 Refer to: p2182, p2186		
Note:	The upper envelope curve is defined by p2185, p2187 and p2189.		
p2186[0...n] Load monitoring torque threshold 1 lower / M_thresh 1 lower			
CU250S_V (Ext msg)	Access level: 3	Calculated: -	Data type: FloatingPoint32
CU250S_V_CAN (Ext msg)	Can be changed: U, T	Scaling: -	Dyn. index: DDS, p0180
CU250S_V_DP (Ext msg)	Units group: 7_1	Unit selection: p0505	Func. diagram: 8013
CU250S_V_PN (Ext msg)	Min 0.00 [Nm]	Max 20000000.00 [Nm]	Factory setting 0.00 [Nm]
Description:	Sets the speed/torque envelope curve for load monitoring.		
Dependency:	The following applies: p2186 < p2185 Refer to: p2182, p2185		
Note:	The lower envelope curve is defined by p2186, p2188 and p2190.		
p2187[0...n] Load monitoring torque threshold 2 upper / M_thresh 2 upper			
CU250S_V (Ext msg)	Access level: 3	Calculated: -	Data type: FloatingPoint32
CU250S_V_CAN (Ext msg)	Can be changed: U, T	Scaling: -	Dyn. index: DDS, p0180
CU250S_V_DP (Ext msg)	Units group: 7_1	Unit selection: p0505	Func. diagram: 8013
CU250S_V_PN (Ext msg)	Min 0.00 [Nm]	Max 20000000.00 [Nm]	Factory setting 10000000.00 [Nm]
Description:	Sets the speed/torque envelope curve for load monitoring.		
Dependency:	The following applies: p2187 > p2188 Refer to: p2183, p2188		
Note:	The upper envelope curve is defined by p2185, p2187 and p2189.		
p2188[0...n] Load monitoring torque threshold 2 lower / M_thresh 2 lower			
CU250S_V (Ext msg)	Access level: 3	Calculated: -	Data type: FloatingPoint32
CU250S_V_CAN (Ext msg)	Can be changed: U, T	Scaling: -	Dyn. index: DDS, p0180
CU250S_V_DP (Ext msg)	Units group: 7_1	Unit selection: p0505	Func. diagram: 8013
CU250S_V_PN (Ext msg)	Min 0.00 [Nm]	Max 20000000.00 [Nm]	Factory setting 0.00 [Nm]
Description:	Sets the speed/torque envelope curve for load monitoring.		
Dependency:	The following applies: p2188 < p2187 Refer to: p2183, p2187		
Note:	The lower envelope curve is defined by p2186, p2188 and p2190.		

2 Parameters

2.2 List of parameters

p2189[0...n]	Load monitoring torque threshold 3 upper / M_thresh 3 upper		
CU250S_V (Ext msg)	Access level: 3	Calculated: -	Data type: FloatingPoint32
CU250S_V_CAN (Ext msg)	Can be changed: U, T	Scaling: -	Dyn. index: DDS, p0180
CU250S_V_DP (Ext msg)	Units group: 7_1	Unit selection: p0505	Func. diagram: 8013
CU250S_V_PN (Ext msg)	Min 0.00 [Nm]	Max 20000000.00 [Nm]	Factory setting 10000000.00 [Nm]
Description:	Sets the speed/torque envelope curve for load monitoring.		
Dependency:	The following applies: p2189 > p2190 Refer to: p2184, p2190		
Note:	The upper envelope curve is defined by p2185, p2187 and p2189.		
<hr/>			
p2190[0...n]	Load monitoring torque threshold 3 lower / M_thresh 3 lower		
CU250S_V (Ext msg)	Access level: 3	Calculated: -	Data type: FloatingPoint32
CU250S_V_CAN (Ext msg)	Can be changed: U, T	Scaling: -	Dyn. index: DDS, p0180
CU250S_V_DP (Ext msg)	Units group: 7_1	Unit selection: p0505	Func. diagram: 8013
CU250S_V_PN (Ext msg)	Min 0.00 [Nm]	Max 20000000.00 [Nm]	Factory setting 0.00 [Nm]
Description:	Sets the speed/torque envelope curve for load monitoring.		
Dependency:	The following applies: p2190 < p2189 Refer to: p2184, p2189		
Note:	The lower envelope curve is defined by p2186, p2188 and p2190.		
<hr/>			
p2192[0...n]	Load monitoring delay time / Load monit t_del		
CU250S_V (Ext msg)	Access level: 3	Calculated: -	Data type: FloatingPoint32
CU250S_V_CAN (Ext msg)	Can be changed: U, T	Scaling: -	Dyn. index: DDS, p0180
CU250S_V_DP (Ext msg)	Units group: -	Unit selection: -	Func. diagram: 8013
CU250S_V_PN (Ext msg)	Min 0.00 [s]	Max 65.00 [s]	Factory setting 10.00 [s]
Description:	Sets the delay time to evaluate the load monitoring.		
<hr/>			
p2193[0...n]	Load monitoring configuration / Load monit config		
CU250S_V (Ext msg)	Access level: 3	Calculated: -	Data type: Integer16
CU250S_V_CAN (Ext msg)	Can be changed: U, T	Scaling: -	Dyn. index: DDS, p0180
CU250S_V_DP (Ext msg)	Units group: -	Unit selection: -	Func. diagram: 8013
CU250S_V_PN (Ext msg)	Min 0	Max 3	Factory setting 1
Description:	Sets the load monitoring configuration.		
Value:	0: Monitoring switched out 1: Monitoring torque and load drop 2: Monitoring speed and load drop 3: Monitoring load drop		
Dependency:	Refer to: p2182, p2183, p2184, p2185, p2186, p2187, p2188, p2189, p2190, p2192, r2198, p3230, p3231, p3232		

p2194[0...n]	Torque threshold value 2 / M_thresh val 2				
	Access level: 3	Calculated: p0340 = 1,3,5	Data type: FloatingPoint32		
	Can be changed: U, T	Scaling: -	Dyn. index: DDS, p0180		
	Units group: -	Unit selection: -	Func. diagram: 8012		
	Min	Max	Factory setting		
	0.00 [%]	100.00 [%]	90.00 [%]		
Description:	Sets the torque threshold value for the message "Torque utilization < torque threshold value 2" (BO: r2199.11). The message "torque setpoint < p2174" (BO: r2198.10) and "torque utilization < p2194" (BO: r2199.11) are only evaluated after the run-up and the delay time has expired.				
Dependency:	Refer to: r0033, p2195, r2199				
p2195[0...n]	Torque utilization switch-off delay / M_util t_off				
	Access level: 3	Calculated: -	Data type: FloatingPoint32		
	Can be changed: U, T	Scaling: -	Dyn. index: DDS, p0180		
	Units group: -	Unit selection: -	Func. diagram: 8012		
	Min	Max	Factory setting		
	0.0 [ms]	1000.0 [ms]	800.0 [ms]		
Description:	Sets the switch-off delay time for the negated signal "run-up completed". The message "torque setpoint < p2174" (BO: r2198.10) and "torque utilization < p2194" (BO: r2199.11) are only evaluated after the run-up and the delay time has expired.				
Dependency:	Refer to: p2174, p2194				
p2196[0...n]	Torque utilization scaling / M_util scal				
	Access level: 1	Calculated: -	Data type: FloatingPoint32		
	Can be changed: C(1, 3), U, T	Scaling: -	Dyn. index: DDS, p0180		
	Units group: -	Unit selection: -	Func. diagram: -		
	Min	Max	Factory setting		
	0.00 [%]	1000.00 [%]	100.00 [%]		
Description:	Sets the scaling factor for torque utilization (r0033).				
r2197.0...13	CO/BO: Status word monitoring 1 / ZSW monitor 1				
	Access level: 3	Calculated: -	Data type: Unsigned16		
	Can be changed: -	Scaling: -	Dyn. index: -		
	Units group: -	Unit selection: -	Func. diagram: 2534		
	Min	Max	Factory setting		
	-	-	-		
Description:	Display and BICO output for the first status word of the monitoring functions.				
Bit field:	Bit	Signal name	1 signal	0 signal	FP
	00	n_act <= n_min p1080	Yes	No	8020
	01	n_act <= speed threshold value 2 p2155	Yes	No	8010
	02	n_act > speed threshold value 2 p2155	Yes	No	8010
	03	n_act >= 0	Yes	No	8011
	04	n_act >= n_set	Yes	No	8020
	05	n_act <= n_standstill p1226	Yes	No	8020
	06	n_act > n_max	Yes	No	8010
	07	Speed setp - act val deviation in tolerance t_off	Yes	No	8011
	08	I_act >= I_threshold value p2170	Yes	No	8020
	09	Vdc_act <= Vdc_threshold value p2172	Yes	No	8020
	10	Vdc_act > Vdc_threshold value p2172	Yes	No	8020
	11	Output load is not present	Yes	No	8020
	12	n_act > n_max (delayed)	Yes	No	8021
	13	n_act > n_max (F07901)	Yes	No	-

2 Parameters

2.2 List of parameters

- Notice:** Re bit 06:
When the overspeed is reached, this bit is set and F07901 output immediately following this. The bit is canceled again as soon as the next pulse inhibit is present.
- Note:** Re bit 00:
The threshold value is set in p1080 and the hysteresis in p2150.
Re bit 01, 02:
The threshold value is set in p2155 and the hysteresis in p2140.
Re bit 03:
1 signal direction of rotation positive.
0 signal: direction of rotation negative.
The hysteresis is set in p2150.
Re bit 04:
The threshold value is set in r1119 and the hysteresis in p2150.
Re bit 05:
The threshold value is set in p1266 and the delay time in p1228.
Re bit 06:
The hysteresis is set in p2162.
Re bit 07:
The threshold value is set in p2163 and the hysteresis is set in p2164.
Re bit 08:
The threshold value is set in p2170 and the delay time in p2171.
Re bit 09, 10:
The threshold value is set in p2172 and the delay time in p2173.
Re bit 11:
The threshold value is set in p2179 and the delay time in p2180.
Re bit 12:
The threshold value is set in p2182, the hysteresis in p2162, and the delay time (for canceling the signal) in p2152.
Re bit 13:
Only for internal Siemens use.

r2198.0...13

CO/BO: Status word monitoring 2 / ZSW monitor 2

Access level: 3	Calculated: -	Data type: Unsigned16
Can be changed: -	Scaling: -	Dyn. index: -
Units group: -	Unit selection: -	Func. diagram: 2536
Min	Max	Factory setting
-	-	-

Description: Display and BICO output for the second status word of the monitoring functions.

Bit field:	Bit	Signal name	1 signal	0 signal	FP
	00	n_act <= speed threshold value 5	Yes	No	8021
	01	n_act > speed threshold value 5	Yes	No	8021
	02	n_act <= speed threshold value 6	Yes	No	8021
	03	n_act > speed threshold value 6	Yes	No	8021
	04	n_set < p2161	Yes	No	8011
	05	n_set > 0	Yes	No	8011
	06	Motor blocked	Yes	No	8012
	07	Motor stalled	Yes	No	8012
	08	I_act < I_threshold value p2170	Yes	No	8020
	09	M_act > torque threshold value 1 and n_set reached	Yes	No	8021
	10	M_set < torque threshold value 1	Yes	No	8012
	11	Load monitoring signals an alarm	Yes	No	8013
	12	Load monitoring signals a fault condition	Yes	No	8013
	13	M_act > torque threshold value 1	Yes	No	8021

- Note:** Re bit 10:
The torque threshold value 1 is set in p2174.
Re bit 12:
This bit is reset after the fault cause disappears, even if the fault itself is still present.

r2199.0...11		CO/BO: Status word monitoring 3 / ZSW monitor 3		
Access level:	3	Calculated:	-	Data type: Unsigned16
Can be changed:	-	Scaling:	-	Dyn. index: -
Units group:	-	Unit selection:	-	Func. diagram: 2537
Min	-	Max	-	Factory setting
				-
Description:	Display and BICO output for the third status word of the monitoring functions.			
Bit field:	Bit	Signal name	1 signal	0 signal
	00	n_act < speed threshold value 3	Yes	No
	01	f or n comparison value reached or exceeded	Yes	No
	04	Speed setp - act val deviation in tolerance t_on	Yes	No
	05	Ramp-up/ramp-down completed	Yes	No
	11	Torque utilization < torque threshold value 2	Yes	No
				FP
				8010
				8010
				8011
				8011
				8012
Note:	Re bit 00: The speed threshold value 3 is set in p2161.			
	Re bit 01: The comparison value is set in p2141. We recommend setting the hysteresis (p2142) for canceling the bit to a value lower than that in p2141. Otherwise, the bit is not reset.			
	Re bit 11: The torque threshold value 2 is set in p2194.			

p2200[0...n]		BI: Technology controller enable / Tec_ctrl enable		
Access level:	2	Calculated:	-	Data type: U32 / Binary
Can be changed:	T	Scaling:	-	Dyn. index: CDS, p0170
Units group:	-	Unit selection:	-	Func. diagram: 7958
Min	-	Max	-	Factory setting
				0
Description:	Sets the signal source to switch in/switch out the technology controller. The technology controller is switched in with a 1 signal.			

p2201[0...n]		CO: Technology controller fixed value 1 / Tec_ctrl fix val1		
CU250S_V (Tech_ctrl)	Access level: 2	Calculated:	-	Data type: FloatingPoint32
CU250S_V_CAN (Tech_ctrl)	Can be changed: U, T	Scaling:	PERCENT	Dyn. index: DDS, p0180
CU250S_V_DP (Tech_ctrl)	Units group: 9_1	Unit selection:	p0595	Func. diagram: 7950, 7951
CU250S_V_PN (Tech_ctrl)	Min	Max		Factory setting
	-200.00 [%]	200.00 [%]		10.00 [%]
Description:	Sets the value for fixed value 1 of the technology controller.			
Dependency:	Refer to: p2220, p2221, p2222, p2223, r2224, r2229			
Notice:	A BICO interconnection to a parameter that belongs to a drive data set always acts on the effective data set.			

p2202[0...n]		CO: Technology controller fixed value 2 / Tec_ctr fix val 2		
CU250S_V (Tech_ctrl)	Access level: 2	Calculated:	-	Data type: FloatingPoint32
CU250S_V_CAN (Tech_ctrl)	Can be changed: U, T	Scaling:	PERCENT	Dyn. index: DDS, p0180
CU250S_V_DP (Tech_ctrl)	Units group: 9_1	Unit selection:	p0595	Func. diagram: 7950, 7951
CU250S_V_PN (Tech_ctrl)	Min	Max		Factory setting
	-200.00 [%]	200.00 [%]		20.00 [%]
Description:	Sets the value for fixed value 2 of the technology controller.			
Dependency:	Refer to: p2220, p2221, p2222, p2223, r2224, r2229			
Notice:	A BICO interconnection to a parameter that belongs to a drive data set always acts on the effective data set.			

2 Parameters

2.2 List of parameters

p2203[0...n] CO: Technology controller fixed value 3 / Tec_ctr fix val 3

CU250S_V (Tech_ctrl)	Access level: 2	Calculated: -	Data type: FloatingPoint32
CU250S_V_CAN (Tech_ctrl)	Can be changed: U, T	Scaling: PERCENT	Dyn. index: DDS, p0180
CU250S_V_DP (Tech_ctrl)	Units group: 9_1	Unit selection: p0595	Func. diagram: 7950, 7951
CU250S_V_PN (Tech_ctrl)	Min -200.00 [%]	Max 200.00 [%]	Factory setting 30.00 [%]

Description: Sets the value for fixed value 3 of the technology controller.

Dependency: Refer to: p2220, p2221, p2222, p2223, r2224, r2229

Notice: A BICO interconnection to a parameter that belongs to a drive data set always acts on the effective data set.

p2204[0...n] CO: Technology controller fixed value 4 / Tec_ctr fix val 4

CU250S_V (Tech_ctrl)	Access level: 2	Calculated: -	Data type: FloatingPoint32
CU250S_V_CAN (Tech_ctrl)	Can be changed: U, T	Scaling: PERCENT	Dyn. index: DDS, p0180
CU250S_V_DP (Tech_ctrl)	Units group: 9_1	Unit selection: p0595	Func. diagram: 7950, 7951
CU250S_V_PN (Tech_ctrl)	Min -200.00 [%]	Max 200.00 [%]	Factory setting 40.00 [%]

Description: Sets the value for fixed value 4 of the technology controller.

Dependency: Refer to: p2220, p2221, p2222, p2223, r2224, r2229

Notice: A BICO interconnection to a parameter that belongs to a drive data set always acts on the effective data set.

p2205[0...n] CO: Technology controller fixed value 5 / Tec_ctr fix val 5

CU250S_V (Tech_ctrl)	Access level: 2	Calculated: -	Data type: FloatingPoint32
CU250S_V_CAN (Tech_ctrl)	Can be changed: U, T	Scaling: PERCENT	Dyn. index: DDS, p0180
CU250S_V_DP (Tech_ctrl)	Units group: 9_1	Unit selection: p0595	Func. diagram: 7950
CU250S_V_PN (Tech_ctrl)	Min -200.00 [%]	Max 200.00 [%]	Factory setting 50.00 [%]

Description: Sets the value for fixed value 5 of the technology controller.

Dependency: Refer to: p2220, p2221, p2222, p2223, r2224, r2229

Notice: A BICO interconnection to a parameter that belongs to a drive data set always acts on the effective data set.

p2206[0...n] CO: Technology controller fixed value 6 / Tec_ctr fix val 6

CU250S_V (Tech_ctrl)	Access level: 2	Calculated: -	Data type: FloatingPoint32
CU250S_V_CAN (Tech_ctrl)	Can be changed: U, T	Scaling: PERCENT	Dyn. index: DDS, p0180
CU250S_V_DP (Tech_ctrl)	Units group: 9_1	Unit selection: p0595	Func. diagram: 7950
CU250S_V_PN (Tech_ctrl)	Min -200.00 [%]	Max 200.00 [%]	Factory setting 60.00 [%]

Description: Sets the value for fixed value 6 of the technology controller.

Dependency: Refer to: p2220, p2221, p2222, p2223, r2224, r2229

Notice: A BICO interconnection to a parameter that belongs to a drive data set always acts on the effective data set.

p2207[0...n]	CO: Technology controller fixed value 7 / Tec_ctr fix val 7		
CU250S_V (Tech_ctrl)	Access level: 2	Calculated: -	Data type: FloatingPoint32
CU250S_V_CAN (Tech_ctrl)	Can be changed: U, T	Scaling: PERCENT	Dyn. index: DDS, p0180
CU250S_V_DP (Tech_ctrl)	Units group: 9_1	Unit selection: p0595	Func. diagram: 7950
CU250S_V_PN (Tech_ctrl)	Min -200.00 [%]	Max 200.00 [%]	Factory setting 70.00 [%]
Description:	Sets the value for fixed value 7 of the technology controller.		
Dependency:	Refer to: p2220, p2221, p2222, p2223, r2224, r2229		
Notice:	A BICO interconnection to a parameter that belongs to a drive data set always acts on the effective data set.		
p2208[0...n]	CO: Technology controller fixed value 8 / Tec_ctr fix val 8		
CU250S_V (Tech_ctrl)	Access level: 2	Calculated: -	Data type: FloatingPoint32
CU250S_V_CAN (Tech_ctrl)	Can be changed: U, T	Scaling: PERCENT	Dyn. index: DDS, p0180
CU250S_V_DP (Tech_ctrl)	Units group: 9_1	Unit selection: p0595	Func. diagram: 7950
CU250S_V_PN (Tech_ctrl)	Min -200.00 [%]	Max 200.00 [%]	Factory setting 80.00 [%]
Description:	Sets the value for fixed value 8 of the technology controller.		
Dependency:	Refer to: p2220, p2221, p2222, p2223, r2224, r2229		
Notice:	A BICO interconnection to a parameter that belongs to a drive data set always acts on the effective data set.		
p2209[0...n]	CO: Technology controller fixed value 9 / Tec_ctr fix val 9		
CU250S_V (Tech_ctrl)	Access level: 2	Calculated: -	Data type: FloatingPoint32
CU250S_V_CAN (Tech_ctrl)	Can be changed: U, T	Scaling: PERCENT	Dyn. index: DDS, p0180
CU250S_V_DP (Tech_ctrl)	Units group: 9_1	Unit selection: p0595	Func. diagram: 7950
CU250S_V_PN (Tech_ctrl)	Min -200.00 [%]	Max 200.00 [%]	Factory setting 90.00 [%]
Description:	Sets the value for fixed value 9 of the technology controller.		
Dependency:	Refer to: p2220, p2221, p2222, p2223, r2224, r2229		
Notice:	A BICO interconnection to a parameter that belongs to a drive data set always acts on the effective data set.		
p2210[0...n]	CO: Technology controller fixed value 10 / Tec_ctr fix val 10		
CU250S_V (Tech_ctrl)	Access level: 2	Calculated: -	Data type: FloatingPoint32
CU250S_V_CAN (Tech_ctrl)	Can be changed: U, T	Scaling: PERCENT	Dyn. index: DDS, p0180
CU250S_V_DP (Tech_ctrl)	Units group: 9_1	Unit selection: p0595	Func. diagram: 7950
CU250S_V_PN (Tech_ctrl)	Min -200.00 [%]	Max 200.00 [%]	Factory setting 100.00 [%]
Description:	Sets the value for fixed value 10 of the technology controller.		
Dependency:	Refer to: p2220, p2221, p2222, p2223, r2224, r2229		
Notice:	A BICO interconnection to a parameter that belongs to a drive data set always acts on the effective data set.		

2 Parameters

2.2 List of parameters

p2211[0...n]	CO: Technology controller fixed value 11 / Tec_ctr fix val 11		
CU250S_V (Tech_ctrl)	Access level: 2	Calculated: -	Data type: FloatingPoint32
CU250S_V_CAN (Tech_ctrl)	Can be changed: U, T	Scaling: PERCENT	Dyn. index: DDS, p0180
CU250S_V_DP (Tech_ctrl)	Units group: 9_1	Unit selection: p0595	Func. diagram: 7950
CU250S_V_PN (Tech_ctrl)	Min -200.00 [%]	Max 200.00 [%]	Factory setting 110.00 [%]
Description:	Sets the value for fixed value 11 of the technology controller.		
Dependency:	Refer to: p2220, p2221, p2222, p2223, r2224, r2229		
Notice:	A BICO interconnection to a parameter that belongs to a drive data set always acts on the effective data set.		

p2212[0...n]	CO: Technology controller fixed value 12 / Tec_ctr fix val 12		
CU250S_V (Tech_ctrl)	Access level: 2	Calculated: -	Data type: FloatingPoint32
CU250S_V_CAN (Tech_ctrl)	Can be changed: U, T	Scaling: PERCENT	Dyn. index: DDS, p0180
CU250S_V_DP (Tech_ctrl)	Units group: 9_1	Unit selection: p0595	Func. diagram: 7950
CU250S_V_PN (Tech_ctrl)	Min -200.00 [%]	Max 200.00 [%]	Factory setting 120.00 [%]
Description:	Sets the value for fixed value 12 of the technology controller.		
Dependency:	Refer to: p2220, p2221, p2222, p2223, r2224, r2229		
Notice:	A BICO interconnection to a parameter that belongs to a drive data set always acts on the effective data set.		

p2213[0...n]	CO: Technology controller fixed value 13 / Tec_ctr fix val 13		
CU250S_V (Tech_ctrl)	Access level: 2	Calculated: -	Data type: FloatingPoint32
CU250S_V_CAN (Tech_ctrl)	Can be changed: U, T	Scaling: PERCENT	Dyn. index: DDS, p0180
CU250S_V_DP (Tech_ctrl)	Units group: 9_1	Unit selection: p0595	Func. diagram: 7950
CU250S_V_PN (Tech_ctrl)	Min -200.00 [%]	Max 200.00 [%]	Factory setting 130.00 [%]
Description:	Sets the value for fixed value 13 of the technology controller.		
Dependency:	Refer to: p2220, p2221, p2222, p2223, r2224, r2229		
Notice:	A BICO interconnection to a parameter that belongs to a drive data set always acts on the effective data set.		

p2214[0...n]	CO: Technology controller fixed value 14 / Tec_ctr fix val 14		
CU250S_V (Tech_ctrl)	Access level: 2	Calculated: -	Data type: FloatingPoint32
CU250S_V_CAN (Tech_ctrl)	Can be changed: U, T	Scaling: PERCENT	Dyn. index: DDS, p0180
CU250S_V_DP (Tech_ctrl)	Units group: 9_1	Unit selection: p0595	Func. diagram: 7950
CU250S_V_PN (Tech_ctrl)	Min -200.00 [%]	Max 200.00 [%]	Factory setting 140.00 [%]
Description:	Sets the value for fixed value 14 of the technology controller.		
Dependency:	Refer to: p2220, p2221, p2222, p2223, r2224, r2229		
Notice:	A BICO interconnection to a parameter that belongs to a drive data set always acts on the effective data set.		

p2215[0...n]	CO: Technology controller fixed value 15 / Tec_ctr fix val 15		
CU250S_V (Tech_ctrl)	Access level: 2	Calculated: -	Data type: FloatingPoint32
CU250S_V_CAN (Tech_ctrl)	Can be changed: U, T	Scaling: PERCENT	Dyn. index: DDS, p0180
CU250S_V_DP (Tech_ctrl)	Units group: 9_1	Unit selection: p0595	Func. diagram: 7950
CU250S_V_PN (Tech_ctrl)	Min -200.00 [%]	Max 200.00 [%]	Factory setting 150.00 [%]
Description:	Sets the value for fixed value 15 of the technology controller.		
Dependency:	Refer to: p2220, p2221, p2222, p2223, r2224, r2229		
Notice:	A BICO interconnection to a parameter that belongs to a drive data set always acts on the effective data set.		
p2216[0...n]	Technology controller fixed value selection method / Tec_ctr FixVal sel		
CU250S_V (Tech_ctrl)	Access level: 2	Calculated: -	Data type: Integer16
CU250S_V_CAN (Tech_ctrl)	Can be changed: T	Scaling: -	Dyn. index: DDS, p0180
CU250S_V_DP (Tech_ctrl)	Units group: -	Unit selection: -	Func. diagram: 7950, 7951
CU250S_V_PN (Tech_ctrl)	Min 1	Max 2	Factory setting 1
Description:	Sets the method to select the fixed setpoints.		
Value:	1: Direct selection 2: Binary selection		
p2220[0...n]	BI: Technology controller fixed value selection bit 0 / Tec_ctrl sel bit 0		
	Access level: 3	Calculated: -	Data type: U32 / Binary
	Can be changed: T	Scaling: -	Dyn. index: CDS, p0170
	Units group: -	Unit selection: -	Func. diagram: 7950, 7951
	Min -	Max -	Factory setting 0
Description:	Sets the signal source to select a fixed value of the technology controller.		
Dependency:	Refer to: p2221, p2222, p2223		
p2221[0...n]	BI: Technology controller fixed value selection bit 1 / Tec_ctrl sel bit 1		
	Access level: 3	Calculated: -	Data type: U32 / Binary
	Can be changed: T	Scaling: -	Dyn. index: CDS, p0170
	Units group: -	Unit selection: -	Func. diagram: 7950, 7951
	Min -	Max -	Factory setting 0
Description:	Sets the signal source to select a fixed value of the technology controller.		
Dependency:	Refer to: p2220, p2222, p2223		
p2222[0...n]	BI: Technology controller fixed value selection bit 2 / Tec_ctrl sel bit 2		
	Access level: 3	Calculated: -	Data type: U32 / Binary
	Can be changed: T	Scaling: -	Dyn. index: CDS, p0170
	Units group: -	Unit selection: -	Func. diagram: 7950, 7951
	Min -	Max -	Factory setting 0
Description:	Sets the signal source to select a fixed value of the technology controller.		
Dependency:	Refer to: p2220, p2221, p2223		

2 Parameters

2.2 List of parameters

p2223[0...n]	BI: Technology controller fixed value selection bit 3 / Tec_ctrl sel bit 3			
	Access level: 3	Calculated: -	Data type: U32 / Binary	
	Can be changed: T	Scaling: -	Dyn. index: CDS, p0170	
	Units group: -	Unit selection: -	Func. diagram: 7950, 7951	
	Min	Max	Factory setting	
	-	-	0	
Description:	Sets the signal source to select a fixed value of the technology controller.			
Dependency:	Refer to: p2220, p2221, p2222			
r2224	CO: Technology controller fixed value effective / Tec_ctr FixVal eff			
CU250S_V (Tech_ctrl)	Access level: 3	Calculated: -	Data type: FloatingPoint32	
CU250S_V_CAN (Tech_ctrl)	Can be changed: -	Scaling: PERCENT	Dyn. index: -	
CU250S_V_DP (Tech_ctrl)	Units group: 9_1	Unit selection: p0595	Func. diagram: 7950, 7951	
CU250S_V_PN (Tech_ctrl)	Min	Max	Factory setting	
	- [%]	- [%]	- [%]	
Description:	Display and connector output for the selected and active fixed value of the technology controller.			
Dependency:	Refer to: r2229			
r2225.0	CO/BO: Technology controller fixed value selection status word / Tec_ctr FixVal ZSW			
CU250S_V (Tech_ctrl)	Access level: 3	Calculated: -	Data type: Unsigned16	
CU250S_V_CAN (Tech_ctrl)	Can be changed: -	Scaling: -	Dyn. index: -	
CU250S_V_DP (Tech_ctrl)	Units group: -	Unit selection: -	Func. diagram: -	
CU250S_V_PN (Tech_ctrl)	Min	Max	Factory setting	
	-	-	-	
Description:	Display and BICO output for the status word of the fixed value selection of the technology controller.			
Bit field:	Bit	Signal name	1 signal	0 signal
	00	Technology controller fixed value selected	Yes	No
				FP 7950, 7951
r2229	Technology controller number actual / Tec_ctrl No. act			
CU250S_V (Tech_ctrl)	Access level: 3	Calculated: -	Data type: Unsigned32	
CU250S_V_CAN (Tech_ctrl)	Can be changed: -	Scaling: -	Dyn. index: -	
CU250S_V_DP (Tech_ctrl)	Units group: -	Unit selection: -	Func. diagram: 7950	
CU250S_V_PN (Tech_ctrl)	Min	Max	Factory setting	
	-	-	-	
Description:	Displays the number of the selected fixed setpoint of the technology controller.			
Dependency:	Refer to: r2224			
p2230[0...n]	Technology controller motorized potentiometer configuration / Tec_ctr mop config			
CU250S_V (Tech_ctrl)	Access level: 3	Calculated: -	Data type: Unsigned32	
CU250S_V_CAN (Tech_ctrl)	Can be changed: U, T	Scaling: -	Dyn. index: DDS, p0180	
CU250S_V_DP (Tech_ctrl)	Units group: -	Unit selection: -	Func. diagram: 7954	
CU250S_V_PN (Tech_ctrl)	Min	Max	Factory setting	
	-	-	0000 0100 bin	
Description:	Sets the configuration for the motorized potentiometer of the technology controller.			

Bit field:	Bit	Signal name	1 signal	0 signal	FP
	00	Data save active	Yes	No	-
	02	Initial rounding-off active	Yes	No	-
	03	Non-volatile data save active for p2230.0 = 1	Yes	No	-
	04	Ramp-function generator always active	Yes	No	-
Dependency:	Refer to: r2231, p2240				
Notice:	For p0014 = 1, the following applies: After the value has been modified, no further parameter modifications can be made and the status is shown in r3996. Modifications can be made again when r3996 = 0.				
Note:	Re bit 00: 0: The setpoint for the motorized potentiometer is not saved and after ON is entered using p2240. 1: The setpoint for the motorized potentiometer is saved and after ON is entered using r2231. In order to save in a non-volatile fashion, bit 03 should be set to 1. Re bit 02: 0: Without initial rounding-off 1: With initial rounding-off. The selected ramp-up/down time is correspondingly exceeded. The initial rounding-off is a sensitive way of specifying small changes (progressive reaction when keys are pressed). The jerk for initial rounding is independent of the ramp-up time and only depends on the selected maximum value (p2237). It is calculated as follows: $r = 0.0001 \times \max(p2237, p2238) [\%] / 0.13^2 [s^2]$ The jerk is effective until the maximum acceleration is reached ($a_{max} = p2237 [\%] / p2247 [s]$ or $a_{max} = p2238 [\%] / p2248 [s]$), after which the drive continues to run linearly with constant acceleration. The higher the maximum acceleration (the lower that p2247 is), the longer the ramp-up time increases with respect to the set ramp-up time. Re bit 03: 0: Non-volatile data save de-activated. 1: The setpoint for the motorized potentiometer is saved in a non-volatile fashion (for p2230.0 = 1). Re bit 04: When the bit is set, the ramp-function generator is computed independent of the pulse enable. The actual output value of the motorized potentiometer is always in r2250.				

r2231 Technology controller motorized potentiometer setpoint memory / Tec_ctrl mop mem

CU250S_V (Tech_ctrl)	Access level: 3	Calculated: -	Data type: FloatingPoint32
CU250S_V_CAN (Tech_ctrl)	Can be changed: -	Scaling: -	Dyn. index: -
CU250S_V_DP (Tech_ctrl)	Units group: 9_1	Unit selection: p0595	Func. diagram: 7954
CU250S_V_PN (Tech_ctrl)	Min - [%]	Max - [%]	Factory setting - [%]

Description: Displays the setpoint memory for the motorized potentiometer of the technology controller.

For p2230.0 = 1, the last setpoint that was saved is entered after ON.

Dependency: Refer to: p2230

p2235[0...n] BI: Technology controller motorized potentiometer raise setpoint / Tec_ctrl mop raise

CU250S_V (Tech_ctrl)	Access level: 3	Calculated: -	Data type: U32 / Binary
CU250S_V_CAN (Tech_ctrl)	Can be changed: T	Scaling: -	Dyn. index: CDS, p0170
CU250S_V_DP (Tech_ctrl)	Units group: -	Unit selection: -	Func. diagram: 7954
CU250S_V_PN (Tech_ctrl)	Min -	Max -	Factory setting 0

Description: Sets the signal source to continually increase the setpoint for the motorized potentiometer of the technology controller.

The setpoint change (CO: r2250) depends on the set ramp-up time (p2247) and the duration of the signal that is present (BI: p2235).

Dependency: Refer to: p2236

2 Parameters

2.2 List of parameters

p2236[0...n]	BI: Technology controller motorized potentiometer lower setpoint / Tec_ctrl mop lower		
CU250S_V (Tech_ctrl)	Access level: 3	Calculated: -	Data type: U32 / Binary
CU250S_V_CAN (Tech_ctrl)	Can be changed: T	Scaling: -	Dyn. index: CDS, p0170
CU250S_V_DP (Tech_ctrl)	Units group: -	Unit selection: -	Func. diagram: 7954
CU250S_V_PN (Tech_ctrl)	Min	Max	Factory setting
	-	-	0
Description:	Sets the signal source to continually reduce the setpoint for the motorized potentiometer of the technology controller. The setpoint change (CO: r2250) depends on the set ramp-down time (p2248) and the duration of the signal that is present (BI: p2236).		
Dependency:	Refer to: p2235		
p2237[0...n]	Technology controller motorized potentiometer maximum value / Tec_ctrl mop max		
CU250S_V (Tech_ctrl)	Access level: 3	Calculated: -	Data type: FloatingPoint32
CU250S_V_CAN (Tech_ctrl)	Can be changed: U, T	Scaling: -	Dyn. index: DDS, p0180
CU250S_V_DP (Tech_ctrl)	Units group: 9_1	Unit selection: p0595	Func. diagram: 7954
CU250S_V_PN (Tech_ctrl)	Min	Max	Factory setting
	-200.00 [%]	200.00 [%]	100.00 [%]
Description:	Sets the maximum value for the motorized potentiometer of the technology controller.		
Dependency:	Refer to: p2238		
p2238[0...n]	Technology controller motorized potentiometer minimum value / Tec_ctrl mop min		
CU250S_V (Tech_ctrl)	Access level: 2	Calculated: -	Data type: FloatingPoint32
CU250S_V_CAN (Tech_ctrl)	Can be changed: U, T	Scaling: -	Dyn. index: DDS, p0180
CU250S_V_DP (Tech_ctrl)	Units group: 9_1	Unit selection: p0595	Func. diagram: 7954
CU250S_V_PN (Tech_ctrl)	Min	Max	Factory setting
	-200.00 [%]	200.00 [%]	-100.00 [%]
Description:	Sets the minimum value for the motorized potentiometer of the technology controller.		
Dependency:	Refer to: p2237		
p2240[0...n]	Technology controller motorized potentiometer starting value / Tec_ctrl mop start		
CU250S_V (Tech_ctrl)	Access level: 2	Calculated: -	Data type: FloatingPoint32
CU250S_V_CAN (Tech_ctrl)	Can be changed: U, T	Scaling: -	Dyn. index: DDS, p0180
CU250S_V_DP (Tech_ctrl)	Units group: 9_1	Unit selection: p0595	Func. diagram: 7954
CU250S_V_PN (Tech_ctrl)	Min	Max	Factory setting
	-200.00 [%]	200.00 [%]	0.00 [%]
Description:	Sets the starting value for the motorized potentiometer of the technology controller. For p2230.0 = 0, this setpoint is entered after ON.		
Dependency:	Refer to: p2230		

r2245	CO: Technology controller mot. potentiometer setpoint before RFG / Tec_ctr mop befRFG		
CU250S_V (Tech_ctrl)	Access level: 2	Calculated: -	Data type: FloatingPoint32
CU250S_V_CAN (Tech_ctrl)	Can be changed: -	Scaling: PERCENT	Dyn. index: -
CU250S_V_DP (Tech_ctrl)	Units group: 9_1	Unit selection: p0595	Func. diagram: 7954
CU250S_V_PN (Tech_ctrl)	Min - [%]	Max - [%]	Factory setting - [%]
Description:	Sets the effective setpoint in front of the internal motorized potentiometer ramp-function generator of the technology controller.		
Dependency:	Refer to: r2250		
p2247[0...n]	Technology controller motorized potentiometer ramp-up time / Tec_ctr mop t_r-up		
CU250S_V (Tech_ctrl)	Access level: 2	Calculated: -	Data type: FloatingPoint32
CU250S_V_CAN (Tech_ctrl)	Can be changed: U, T	Scaling: -	Dyn. index: DDS, p0180
CU250S_V_DP (Tech_ctrl)	Units group: -	Unit selection: -	Func. diagram: 7954
CU250S_V_PN (Tech_ctrl)	Min 0.0 [s]	Max 1000.0 [s]	Factory setting 10.0 [s]
Description:	Sets the ramp-up time for the internal ramp-function generator for the motorized potentiometer of the technology controller.		
Dependency:	Refer to: p2248		
Note:	The time is referred to 100 %. When the initial rounding-off is activated (p2230.2 = 1) the ramp-up is correspondingly extended.		
p2248[0...n]	Technology controller motorized potentiometer ramp-down time / Tec_ctrMop t_rdown		
CU250S_V (Tech_ctrl)	Access level: 2	Calculated: -	Data type: FloatingPoint32
CU250S_V_CAN (Tech_ctrl)	Can be changed: U, T	Scaling: -	Dyn. index: DDS, p0180
CU250S_V_DP (Tech_ctrl)	Units group: -	Unit selection: -	Func. diagram: 7954
CU250S_V_PN (Tech_ctrl)	Min 0.0 [s]	Max 1000.0 [s]	Factory setting 10.0 [s]
Description:	Sets the ramp-down time for the internal ramp-function generator for the motorized potentiometer of the technology controller.		
Dependency:	Refer to: p2247		
Note:	The time is referred to 100 %. When the initial rounding-off is activated (p2230.2 = 1) the ramp-down is correspondingly extended.		
r2250	CO: Technology controller motorized potentiometer setpoint after RFG / Tec_ctr mop aftRFG		
CU250S_V (Tech_ctrl)	Access level: 2	Calculated: -	Data type: FloatingPoint32
CU250S_V_CAN (Tech_ctrl)	Can be changed: -	Scaling: PERCENT	Dyn. index: -
CU250S_V_DP (Tech_ctrl)	Units group: 9_1	Unit selection: p0595	Func. diagram: 7954
CU250S_V_PN (Tech_ctrl)	Min - [%]	Max - [%]	Factory setting - [%]
Description:	Displays the effective setpoint after the internal ramp-function generator for the motorized potentiometer of the technology controller.		
Dependency:	Refer to: r2245		

2 Parameters

2.2 List of parameters

p2251 Technology controller mode / Tec_ctrl mode

CU250S_V (Tech_ctrl)	Access level: 3	Calculated: -	Data type: Integer16
CU250S_V_CAN (Tech_ctrl)	Can be changed: T	Scaling: -	Dyn. index: -
CU250S_V_DP (Tech_ctrl)	Units group: -	Unit selection: -	Func. diagram: 7958
CU250S_V_PN (Tech_ctrl)	Min 0	Max 1	Factory setting 0

Description: Sets the mode for using the technology controller output.

Value:
0: Technology controller as main speed setpoint
1: Technology controller as supplementary speed setpoint

Dependency: p2251 = 0, 1 is only effective if the enable signal of the technology controller is interconnected (p2200 > 0).

p2253[0...n] CI: Technology controller setpoint 1 / Tec_ctrl setp 1

CU250S_V (Tech_ctrl)	Access level: 2	Calculated: -	Data type: U32 / FloatingPoint32
CU250S_V_CAN (Tech_ctrl)	Can be changed: U, T	Scaling: PERCENT	Dyn. index: CDS, p0170
CU250S_V_DP (Tech_ctrl)	Units group: -	Unit selection: -	Func. diagram: 7958
CU250S_V_PN (Tech_ctrl)	Min -	Max -	Factory setting 0

Description: Sets the signal source for the setpoint 1 of the technology controller.

Dependency: Refer to: p2254, p2255

p2254[0...n] CI: Technology controller setpoint 2 / Tec_ctrl setp 2

CU250S_V (Tech_ctrl)	Access level: 3	Calculated: -	Data type: U32 / FloatingPoint32
CU250S_V_CAN (Tech_ctrl)	Can be changed: U, T	Scaling: PERCENT	Dyn. index: CDS, p0170
CU250S_V_DP (Tech_ctrl)	Units group: -	Unit selection: -	Func. diagram: 7958
CU250S_V_PN (Tech_ctrl)	Min -	Max -	Factory setting 0

Description: Sets the signal source for the setpoint 2 of the technology controller.

Dependency: Refer to: p2253, p2256

p2255 Technology controller setpoint 1 scaling / Tec_ctrl set1 scal

CU250S_V (Tech_ctrl)	Access level: 3	Calculated: -	Data type: FloatingPoint32
CU250S_V_CAN (Tech_ctrl)	Can be changed: U, T	Scaling: -	Dyn. index: -
CU250S_V_DP (Tech_ctrl)	Units group: -	Unit selection: -	Func. diagram: 7958
CU250S_V_PN (Tech_ctrl)	Min 0.00 [%]	Max 100.00 [%]	Factory setting 100.00 [%]

Description: Sets the scaling for the setpoint 1 of the technology controller.

Dependency: Refer to: p2253

p2256 Technology controller setpoint 2 scaling / Tec_ctrl set2 scal

CU250S_V (Tech_ctrl)	Access level: 3	Calculated: -	Data type: FloatingPoint32
CU250S_V_CAN (Tech_ctrl)	Can be changed: U, T	Scaling: -	Dyn. index: -
CU250S_V_DP (Tech_ctrl)	Units group: -	Unit selection: -	Func. diagram: 7958
CU250S_V_PN (Tech_ctrl)	Min 0.00 [%]	Max 100.00 [%]	Factory setting 100.00 [%]

Description: Sets the scaling for the setpoint 2 of the technology controller.


Dependency: Refer to: p2254

p2257	Technology controller ramp-up time / Tec_ctrl t_ramp-up		
CU250S_V (Tech_ctrl)	Access level: 2	Calculated: -	Data type: FloatingPoint32
CU250S_V_CAN (Tech_ctrl)	Can be changed: U, T	Scaling: -	Dyn. index: -
CU250S_V_DP (Tech_ctrl)	Units group: -	Unit selection: -	Func. diagram: 7958
CU250S_V_PN (Tech_ctrl)	Min 0.00 [s]	Max 650.00 [s]	Factory setting 1.00 [s]
Description:	Sets the ramp-up time of the technology controller.		
Dependency:	Refer to: p2258		
Note:	The ramp-up time is referred to 100 %.		
p2258	Technology controller ramp-down time / Tec_ctrl t_ramp-dn		
CU250S_V (Tech_ctrl)	Access level: 2	Calculated: -	Data type: FloatingPoint32
CU250S_V_CAN (Tech_ctrl)	Can be changed: U, T	Scaling: -	Dyn. index: -
CU250S_V_DP (Tech_ctrl)	Units group: -	Unit selection: -	Func. diagram: 7958
CU250S_V_PN (Tech_ctrl)	Min 0.00 [s]	Max 650.00 [s]	Factory setting 1.00 [s]
Description:	Sets the ramp-down time of the technology controller.		
Dependency:	Refer to: p2257		
Note:	The ramp-down time is referred to 100 %.		
r2260	CO: Technology controller setpoint after ramp-function generator / Tec_ctr set aftRFG		
CU250S_V (Tech_ctrl)	Access level: 2	Calculated: -	Data type: FloatingPoint32
CU250S_V_CAN (Tech_ctrl)	Can be changed: -	Scaling: PERCENT	Dyn. index: -
CU250S_V_DP (Tech_ctrl)	Units group: 9_1	Unit selection: p0595	Func. diagram: 7958
CU250S_V_PN (Tech_ctrl)	Min - [%]	Max - [%]	Factory setting - [%]
Description:	Sets the setpoint after the ramp-function generator of the technology controller.		
p2261	Technology controller setpoint filter time constant / Tec_ctrl set T		
CU250S_V (Tech_ctrl)	Access level: 3	Calculated: -	Data type: FloatingPoint32
CU250S_V_CAN (Tech_ctrl)	Can be changed: U, T	Scaling: -	Dyn. index: -
CU250S_V_DP (Tech_ctrl)	Units group: -	Unit selection: -	Func. diagram: 7958
CU250S_V_PN (Tech_ctrl)	Min 0.000 [s]	Max 60.000 [s]	Factory setting 0.000 [s]
Description:	Sets the time constant for the setpoint filter (PT1) of the technology controller.		
r2262	CO: Technology controller setpoint after filter / Tec_ctr set aftFit		
CU250S_V (Tech_ctrl)	Access level: 4	Calculated: -	Data type: FloatingPoint32
CU250S_V_CAN (Tech_ctrl)	Can be changed: -	Scaling: PERCENT	Dyn. index: -
CU250S_V_DP (Tech_ctrl)	Units group: 9_1	Unit selection: p0595	Func. diagram: 7958
CU250S_V_PN (Tech_ctrl)	Min - [%]	Max - [%]	Factory setting - [%]
Description:	Display and connector output for the smoothed setpoint after the setpoint filter (PT1) of the technology controller.		

2 Parameters

2.2 List of parameters

p2263	Technology controller type / Tec_ctrl type		
CU250S_V (Tech_ctrl)	Access level: 3	Calculated: -	Data type: Integer16
CU250S_V_CAN (Tech_ctrl)	Can be changed: T	Scaling: -	Dyn. index: -
CU250S_V_DP (Tech_ctrl)	Units group: -	Unit selection: -	Func. diagram: 7958
CU250S_V_PN (Tech_ctrl)	Min 0	Max 1	Factory setting 0
Description:	Sets the type of technology controller.		
Value:	0: D component in the actual value signal 1: D component in the fault signal		
p2264[0...n]	CI: Technology controller actual value / Tec_ctrl act val		
CU250S_V (Tech_ctrl)	Access level: 2	Calculated: -	Data type: U32 / FloatingPoint32
CU250S_V_CAN (Tech_ctrl)	Can be changed: U, T	Scaling: PERCENT	Dyn. index: CDS, p0170
CU250S_V_DP (Tech_ctrl)	Units group: -	Unit selection: -	Func. diagram: 7958
CU250S_V_PN (Tech_ctrl)	Min -	Max -	Factory setting 0
Description:	Sets the signal source for the actual value of the technology controller.		
p2265	Technology controller actual value filter time constant / Tec_ctrl act T		
CU250S_V (Tech_ctrl)	Access level: 2	Calculated: -	Data type: FloatingPoint32
CU250S_V_CAN (Tech_ctrl)	Can be changed: U, T	Scaling: -	Dyn. index: -
CU250S_V_DP (Tech_ctrl)	Units group: -	Unit selection: -	Func. diagram: 7958
CU250S_V_PN (Tech_ctrl)	Min 0.000 [s]	Max 60.000 [s]	Factory setting 0.000 [s]
Description:	Sets the time constant for the actual value filter (PT1) of the technology controller.		
r2266	CO: Technology controller actual value after filter / Tec_ctr act aftFlt		
CU250S_V (Tech_ctrl)	Access level: 3	Calculated: -	Data type: FloatingPoint32
CU250S_V_CAN (Tech_ctrl)	Can be changed: -	Scaling: PERCENT	Dyn. index: -
CU250S_V_DP (Tech_ctrl)	Units group: 9_1	Unit selection: p0595	Func. diagram: 7958
CU250S_V_PN (Tech_ctrl)	Min - [%]	Max - [%]	Factory setting - [%]
Description:	Display and connector output for the smoothed actual value after the filter (PT1) of the technology controller.		
p2267	Technology controller upper limit actual value / Tec_ctrl u_lim act		
CU250S_V (Tech_ctrl)	Access level: 3	Calculated: -	Data type: FloatingPoint32
CU250S_V_CAN (Tech_ctrl)	Can be changed: U, T	Scaling: PERCENT	Dyn. index: -
CU250S_V_DP (Tech_ctrl)	Units group: 9_1	Unit selection: p0595	Func. diagram: 7958
CU250S_V_PN (Tech_ctrl)	Min -200.00 [%]	Max 200.00 [%]	Factory setting 100.00 [%]
Description:	Sets the upper limit for the actual value signal of the technology controller.		
Dependency:	Refer to: p2264, p2265, p2271		
Notice:	If the actual value exceeds this upper limit, this results in fault F07426.		

p2268	Technology controller lower limit actual value / Tec_ctrl l_lim act		
CU250S_V (Tech_ctrl)	Access level: 3	Calculated: -	Data type: FloatingPoint32
CU250S_V_CAN (Tech_ctrl)	Can be changed: U, T	Scaling: PERCENT	Dyn. index: -
CU250S_V_DP (Tech_ctrl)	Units group: 9_1	Unit selection: p0595	Func. diagram: 7958
CU250S_V_PN (Tech_ctrl)	Min -200.00 [%]	Max 200.00 [%]	Factory setting -100.00 [%]
Description:	Sets the lower limit for the actual value signal of the technology controller.		
Dependency:	Refer to: p2264, p2265, p2271		
Notice:	If the actual value falls below this lower limit, this results in fault F07426.		
p2269	Technology controller gain actual value / Tech_ctrl gain act		
CU250S_V (Tech_ctrl)	Access level: 3	Calculated: -	Data type: FloatingPoint32
CU250S_V_CAN (Tech_ctrl)	Can be changed: U, T	Scaling: -	Dyn. index: -
CU250S_V_DP (Tech_ctrl)	Units group: -	Unit selection: -	Func. diagram: 7958
CU250S_V_PN (Tech_ctrl)	Min 0.00 [%]	Max 500.00 [%]	Factory setting 100.00 [%]
Description:	Sets the scaling factor for the actual value of the technology controller.		
Dependency:	Refer to: p2264, p2265, p2267, p2268, p2271		
Note:	For 100%, the actual value is not changed.		
p2270	Technology controller actual value function / Tec_ctr ActVal fct		
CU250S_V (Tech_ctrl)	Access level: 3	Calculated: -	Data type: Integer16
CU250S_V_CAN (Tech_ctrl)	Can be changed: U, T	Scaling: -	Dyn. index: -
CU250S_V_DP (Tech_ctrl)	Units group: -	Unit selection: -	Func. diagram: 7958
CU250S_V_PN (Tech_ctrl)	Min 0	Max 3	Factory setting 0
Description:	Setting to use an arithmetic function for the actual value signal of the technology controller.		
Value:	0: No function 1: Root function (root from x) 2: Square function (x * x) 3: Cube function (x * x * x)		
Dependency:	Refer to: p2264, p2265, p2267, p2268, p2269, p2271		
p2271	Technology controller actual value inversion (sensor type) / Tech_ctrl act inv		
CU250S_V (Tech_ctrl)	Access level: 3	Calculated: -	Data type: Integer16
CU250S_V_CAN (Tech_ctrl)	Can be changed: T	Scaling: -	Dyn. index: -
CU250S_V_DP (Tech_ctrl)	Units group: -	Unit selection: -	Func. diagram: 7958
CU250S_V_PN (Tech_ctrl)	Min 0	Max 1	Factory setting 0
Description:	Setting to invert the actual value signal of the technology controller. The inversion depends on the sensor type for the actual value signal.		
Value:	0: No inversion 1: Inversion actual value signal		
Caution:	If the actual value inversion is incorrectly selected, then the closed-loop control with the technology controller can become unstable and can oscillate!		
			

2 Parameters

2.2 List of parameters

Note: The correct setting can be determined as follows:


- inhibit the technology controller (p2200 = 0).
- increase the motor speed and in so doing, measure the actual value signal of the technology controller.
- > If the actual value increases as the motor speed increases, then p2271 should be set to 0 (no inversion).
- > If the actual value decreases as the motor speed increases, then p2271 should be set to 1 (the actual value signal is inverted).

r2272	CO: Technology controller actual value scaled / Tech_ctrl act scal		
CU250S_V (Tech_ctrl)	Access level: 2	Calculated: -	Data type: FloatingPoint32
CU250S_V_CAN (Tech_ctrl)	Can be changed: -	Scaling: PERCENT	Dyn. index: -
CU250S_V_DP (Tech_ctrl)	Units group: 9_1	Unit selection: p0595	Func. diagram: 7958
CU250S_V_PN (Tech_ctrl)	Min	Max	Factory setting
	- [%]	- [%]	- [%]
Description:	Display and connector output for the scaled actual value signal of the technology controller.		
Dependency:	Refer to: p2264, p2265, r2266, p2267, p2268, p2269, p2270, p2271		

r2273	CO: Technology controller error / Tec_ctrl error		
CU250S_V (Tech_ctrl)	Access level: 2	Calculated: -	Data type: FloatingPoint32
CU250S_V_CAN (Tech_ctrl)	Can be changed: -	Scaling: PERCENT	Dyn. index: -
CU250S_V_DP (Tech_ctrl)	Units group: 9_1	Unit selection: p0595	Func. diagram: 7958
CU250S_V_PN (Tech_ctrl)	Min	Max	Factory setting
	- [%]	- [%]	- [%]
Description:	Displays the error (system deviation) between the setpoint and actual value of the technology controller.		
Dependency:	Refer to: p2263		

p2274	Technology controller differentiation time constant / Tec_ctrl D comp T		
CU250S_V (Tech_ctrl)	Access level: 2	Calculated: -	Data type: FloatingPoint32
CU250S_V_CAN (Tech_ctrl)	Can be changed: U, T	Scaling: -	Dyn. index: -
CU250S_V_DP (Tech_ctrl)	Units group: -	Unit selection: -	Func. diagram: 7958
CU250S_V_PN (Tech_ctrl)	Min	Max	Factory setting
	0.000 [s]	60.000 [s]	0.000 [s]
Description:	Sets the time constant for the differentiation (D component) of the technology controller.		
Note:	p2274 = 0: Differentiation is disabled.		

p2280	Technology controller proportional gain / Tec_ctrl Kp		
CU250S_V (Tech_ctrl)	Access level: 2	Calculated: -	Data type: FloatingPoint32
CU250S_V_CAN (Tech_ctrl)	Can be changed: U, T	Scaling: -	Dyn. index: -
CU250S_V_DP (Tech_ctrl)	Units group: -	Unit selection: -	Func. diagram: 7958
CU250S_V_PN (Tech_ctrl)	Min	Max	Factory setting
	0.000	1000.000	1.000
Description:	Sets the proportional gain (P component) of the technology controller.		
Note:	p2280 = 0: The proportional gain is disabled.		

p2285		Technology controller integral time / Tec_ctrl Tn	
CU250S_V (Tech_ctrl)	Access level: 2	Calculated: -	Data type: FloatingPoint32
CU250S_V_CAN (Tech_ctrl)	Can be changed: U, T	Scaling: -	Dyn. index: -
CU250S_V_DP (Tech_ctrl)	Units group: -	Unit selection: -	Func. diagram: 7958
CU250S_V_PN (Tech_ctrl)	Min 0.000 [s]	Max 10000.000 [s]	Factory setting 30.000 [s]
Description: Sets the integral time (I component, integrating time constant) of the technology controller.			
Notice: The following applies for p2251 = 0: If the output of the technology controller lies within the range of a suppression (skip) bandwidth (p1091 ... p1094, p1101) or below the minimum speed (p1080), the integral component of the controller is held so that the controller temporarily works as a P controller. This is necessary in order to prevent the controller from behaving in an unstable manner, as the ramp-function generator switches to the parameterized up and down ramps (p1120, p1121) at the same time in order to avoid setpoint steps. This state can be exited or avoided by changing the controller setpoint or by using the start speed (= minimum speed).			
Note: When the controller output reaches the limit, the I component of the controller is held. p2285 = 0: The integral time is disabled and the I component of the controller is reset.			
p2286[0...n]		BI: Hold technology controller integrator / Tec_ctr integ hold	
CU250S_V (Tech_ctrl)	Access level: 3	Calculated: -	Data type: U32 / Binary
CU250S_V_CAN (Tech_ctrl)	Can be changed: T	Scaling: -	Dyn. index: CDS, p0170
CU250S_V_DP (Tech_ctrl)	Units group: -	Unit selection: -	Func. diagram: 7958
CU250S_V_PN (Tech_ctrl)	Min -	Max -	Factory setting 56.13
Description: Sets the signal source to hold the integrator for the technology controller.			
p2289[0...n]		CI: Technology controller pre-control signal / Tec_ctr prectr_sig	
CU250S_V (Tech_ctrl)	Access level: 3	Calculated: -	Data type: U32 / FloatingPoint32
CU250S_V_CAN (Tech_ctrl)	Can be changed: U, T	Scaling: PERCENT	Dyn. index: CDS, p0170
CU250S_V_DP (Tech_ctrl)	Units group: -	Unit selection: -	Func. diagram: 7958
CU250S_V_PN (Tech_ctrl)	Min -	Max -	Factory setting 0
Description: Sets the signal source for the pre-control signal of the technology controller.			
p2291		CO: Technology controller maximum limiting / Tec_ctrl max_lim	
CU250S_V (Tech_ctrl)	Access level: 3	Calculated: -	Data type: FloatingPoint32
CU250S_V_CAN (Tech_ctrl)	Can be changed: U, T	Scaling: PERCENT	Dyn. index: -
CU250S_V_DP (Tech_ctrl)	Units group: -	Unit selection: -	Func. diagram: 7958
CU250S_V_PN (Tech_ctrl)	Min -200.00 [%]	Max 200.00 [%]	Factory setting 100.00 [%]
Description: Sets the maximum limit of the technology controller.			
Dependency: Refer to: p2292			
Caution: The maximum limit must always be greater than the minimum limit (p2291 > p2292).			
			

2 Parameters

2.2 List of parameters

p2292	CO: Technology controller minimum limiting / Tec_ctrl min_lim		
CU250S_V (Tech_ctrl)	Access level: 3	Calculated: -	Data type: FloatingPoint32
CU250S_V_CAN (Tech_ctrl)	Can be changed: U, T	Scaling: PERCENT	Dyn. index: -
CU250S_V_DP (Tech_ctrl)	Units group: -	Unit selection: -	Func. diagram: 7958
CU250S_V_PN (Tech_ctrl)	Min -200.00 [%]	Max 200.00 [%]	Factory setting 0.00 [%]
Description:	Sets the minimum limit of the technology controller.		
Dependency:	Refer to: p2291		
Caution:	The maximum limit must always be greater than the minimum limit (p2291 > p2292).		



p2293	Technology controller ramp-up/ramp-down time / Tec_ctr t_RU/RD		
CU250S_V (Tech_ctrl)	Access level: 3	Calculated: -	Data type: FloatingPoint32
CU250S_V_CAN (Tech_ctrl)	Can be changed: U, T	Scaling: -	Dyn. index: -
CU250S_V_DP (Tech_ctrl)	Units group: -	Unit selection: -	Func. diagram: 7958
CU250S_V_PN (Tech_ctrl)	Min 0.00 [s]	Max 100.00 [s]	Factory setting 1.00 [s]
Description:	Sets the ramping time for the output signal of the technology controller.		
Dependency:	Refer to: p2291, p2292		
Note:	The time refers to the set maximum and minimum limits (p2291, p2292).		

r2294	CO: Technology controller output signal / Tec_ctrl outp_sig		
CU250S_V (Tech_ctrl)	Access level: 2	Calculated: -	Data type: FloatingPoint32
CU250S_V_CAN (Tech_ctrl)	Can be changed: -	Scaling: PERCENT	Dyn. index: -
CU250S_V_DP (Tech_ctrl)	Units group: -	Unit selection: -	Func. diagram: 7958
CU250S_V_PN (Tech_ctrl)	Min - [%]	Max - [%]	Factory setting - [%]
Description:	Display and connector output for the output signal of the technology controller.		
Dependency:	Refer to: p2295		

p2295	CO: Technology controller output scaling / Tec_ctrl outp_scal		
CU250S_V (Tech_ctrl)	Access level: 3	Calculated: -	Data type: FloatingPoint32
CU250S_V_CAN (Tech_ctrl)	Can be changed: U, T	Scaling: PERCENT	Dyn. index: -
CU250S_V_DP (Tech_ctrl)	Units group: -	Unit selection: -	Func. diagram: 7958
CU250S_V_PN (Tech_ctrl)	Min -100.00 [%]	Max 100.00 [%]	Factory setting 100.00 [%]
Description:	Sets the scaling for the output signal of the technology controller.		


p2296[0...n]	CI: Technology controller output scaling / Tec_ctrl outp_scal		
CU250S_V (Tech_ctrl)	Access level: 3	Calculated: -	Data type: U32 / FloatingPoint32
CU250S_V_CAN (Tech_ctrl)	Can be changed: U, T	Scaling: PERCENT	Dyn. index: CDS, p0170
CU250S_V_DP (Tech_ctrl)	Units group: -	Unit selection: -	Func. diagram: 7958
CU250S_V_PN (Tech_ctrl)	Min -	Max -	Factory setting 2295[0]
Description:	Sets the signal source for the scaling value of the technology controller.		
Dependency:	Refer to: p2295		

p2297[0...n]	CI: Technology controller maximum limit signal source / Tec_ctrMaxLimS_src		
CU250S_V (Tech_ctrl)	Access level: 3	Calculated: -	Data type: U32 / FloatingPoint32
CU250S_V_CAN (Tech_ctrl)	Can be changed: U, T	Scaling: PERCENT	Dyn. index: CDS, p0170
CU250S_V_DP (Tech_ctrl)	Units group: -	Unit selection: -	Func. diagram: 7958
CU250S_V_PN (Tech_ctrl)	Min	Max	Factory setting
	-	-	1084[0]
Description:	Sets the signal source for the maximum limiting of the technology controller.		
Dependency:	Refer to: p2291		
Note:	In order that the output of the technology controller does not exceed the maximum speed limit, its upper limit p2297 should be connected to the actual maximum speed r1084. In mode p2251 = 1, p2299 must also be connected to the output of the ramp-function generator r1150.		
p2298[0...n]	CI: Technology controller minimum limit signal source / Tec_ctrl min_l s_s		
CU250S_V (Tech_ctrl)	Access level: 3	Calculated: -	Data type: U32 / FloatingPoint32
CU250S_V_CAN (Tech_ctrl)	Can be changed: U, T	Scaling: PERCENT	Dyn. index: CDS, p0170
CU250S_V_DP (Tech_ctrl)	Units group: -	Unit selection: -	Func. diagram: 7958
CU250S_V_PN (Tech_ctrl)	Min	Max	Factory setting
	-	-	1087[0]
Description:	Sets the signal source for the minimum limiting of the technology controller.		
Dependency:	Refer to: p2292		
Note:	If the technology controller is rotated in a negative direction in mode p2251 = 0, its lower limit p2298 should be connected to the actual minimum speed r1087. In mode p2251 = 1, p2299 must also be connected to the output of the ramp-function generator r1150.		
p2299[0...n]	CI: Technology controller limit offset / Tech_ctrl lim offs		
CU250S_V (Tech_ctrl)	Access level: 3	Calculated: -	Data type: U32 / FloatingPoint32
CU250S_V_CAN (Tech_ctrl)	Can be changed: U, T	Scaling: PERCENT	Dyn. index: CDS, p0170
CU250S_V_DP (Tech_ctrl)	Units group: -	Unit selection: -	Func. diagram: 7958
CU250S_V_PN (Tech_ctrl)	Min	Max	Factory setting
	-	-	0
Description:	Sets the signal source for the offset of the output limiting of the technology controller.		
Note:	In mode p2251 = 1, p2299 must be connected to the output of ramp-function generator r1150 so that the technology controller stops when the speed limits are reached (see also p2297, p2298).		
p2302	Technology controller output signal starting value / Tec_ctr start val		
CU250S_V (Tech_ctrl)	Access level: 3	Calculated: -	Data type: FloatingPoint32
CU250S_V_CAN (Tech_ctrl)	Can be changed: U, T	Scaling: -	Dyn. index: -
CU250S_V_DP (Tech_ctrl)	Units group: -	Unit selection: -	Func. diagram: 7958
CU250S_V_PN (Tech_ctrl)	Min	Max	Factory setting
	0.00 [%]	200.00 [%]	0.00 [%]
Description:	Sets the start value for the output of the technology controller. If the drive is switched on and the technology controller is already enabled (see p2200, r0056.3), then its output signal r2294 first goes to the start value p2302, before the controller starts to operate.		
Dependency:	The starting value is only effective in the mode "technology controller as main speed setpoint" (p2251 = 0). If the technology controller is first enabled when the drive is switched on, a start speed remains ineffective, and the controller output starts with the actual setpoint speed of the ramp-function generator.		

2 Parameters

2.2 List of parameters

Note: If the technology controller operates on the speed/setpoint channel (p2251 = 0), then the starting value is interpreted as the starting speed and when operation is enabled, is connected to the output of the technology controller (r2294). If fault F07426 "technology controller actual value limited" occurs while ramping up to the starting value and if the associated reaction has been set to "NONE" (see p2100, p2101), the starting value is kept as the speed setpoint instead of a switch to closed-loop control operation.

p2306 Technology controller fault signal inversion / Tec_ctrl fault inv			
CU250S_V (Tech_ctrl)	Access level: 3	Calculated: -	Data type: Integer16
CU250S_V_CAN (Tech_ctrl)	Can be changed: T	Scaling: -	Dyn. index: -
CU250S_V_DP (Tech_ctrl)	Units group: -	Unit selection: -	Func. diagram: 7958
CU250S_V_PN (Tech_ctrl)	Min	Max	Factory setting
	0	1	0
Description:	Setting to invert the fault signal of the technology controller. The setting depends on the type of control loop.		
Value:	0: No inversion 1: Inversion		
Caution:	If the actual value inversion is incorrectly selected, then the closed-loop control with the technology controller can become unstable and can oscillate!		
			
Note:	The correct setting can be determined as follows: - inhibit the technology controller (p2200 = 0). - increase the motor speed and in so doing, measure the actual value signal (of the technology controller). - if the actual value increases with increasing motor speed, then the inversion should be switched out. - if the actual value decreases with increasing motor speed, then the inversion should be set. If value = 0: The drive reduces the output speed when the actual value rises (e.g. for heating fans, intake pump, compressor). If value = 1: The drive increases the output speed when the actual value increases (e.g. for cooling fans, discharge pumps).		

r2344 CO: Technology controller last speed setpoint (smoothed) / Tec_ctrl n_setp_sm			
CU250S_V (Tech_ctrl)	Access level: 3	Calculated: -	Data type: FloatingPoint32
CU250S_V_CAN (Tech_ctrl)	Can be changed: -	Scaling: PERCENT	Dyn. index: -
CU250S_V_DP (Tech_ctrl)	Units group: -	Unit selection: -	Func. diagram: 7958
CU250S_V_PN (Tech_ctrl)	Min	Max	Factory setting
	- [%]	- [%]	- [%]
Description:	Displays the smoothed speed setpoint of the technology controller prior to switching to operation with fault response (see p2345).		
Dependency:	Refer to: p2345		
Note:	Smoothing time = 10 s		

p2345 Technology controller fault response / Tech_ctrl flt resp			
CU250S_V (Tech_ctrl)	Access level: 3	Calculated: -	Data type: Integer16
CU250S_V_CAN (Tech_ctrl)	Can be changed: U, T	Scaling: -	Dyn. index: -
CU250S_V_DP (Tech_ctrl)	Units group: -	Unit selection: -	Func. diagram: 7958
CU250S_V_PN (Tech_ctrl)	Min	Max	Factory setting
	0	2	0
Description:	Sets the response of the technology controller to the occurrence of fault F07426 (technology controller actual value limited). The fault response is executed if status bit 8 or 9 in the technology controller status word r2349 is set. If both status bits are zero, a switch back to technology controller operation will follow.		

Value:	0: Function inhibited 1: On fault: Changeover to r2344 (or p2302) 2: On fault: Changeover to p2215
Dependency:	The parameterized fault response is only effective if the technology controller mode is set to p2251 = 0 (technology controller as main setpoint). Refer to: p2267, p2268, r2344
Notice:	Dependent upon the application, the changing over of the setpoint when fault F07426 occurs can lead to the fault condition disappearing and the re-activation of the technology controller. This can repeat itself and cause limit oscillations. In this case, a different fault response or a different fixed setpoint 15 for the fault response p2345 = 2 should be selected.
Note:	The parameterized fault response can only be achieved if the default fault response of the technology controller fault F07426 is set to "NONE" (see p2100, p2101). If a fault response other than "NONE" is entered in p2101 for F07426, p2345 must be set to zero. If the fault occurs during ramping up to the starting setpoint p2302, this starting setpoint is retained as the final value (there is no changeover to the fault response setpoint).

r2349.0...12 CO/BO: Technology controller status word / Tec_ctrl status

CU250S_V (Tech_ctrl)	Access level: 3	Calculated: -	Data type: Unsigned32
CU250S_V_CAN (Tech_ctrl)	Can be changed: -	Scaling: -	Dyn. index: -
CU250S_V_DP (Tech_ctrl)	Units group: -	Unit selection: -	Func. diagram: 7958
CU250S_V_PN (Tech_ctrl)	Min	Max	Factory setting
	-	-	-

Description: Displays the status word of the technology controller.

Bit field:	Bit	Signal name	1 signal	0 signal	FP
	00	Technology controller de-activated	Yes	No	-
	01	Technology controller limited	Yes	No	-
	02	Technology controller motorized potentiometer limited max	Yes	No	-
	03	Technology controller motorized potentiometer limited min	Yes	No	-
	04	Technology controller speed setpoint total in setpoint channel	Yes	No	-
	05	Technology controller RFG bypassed in the setpoint channel	Yes	No	-
	06	Technology controller starting value at the current limit	No	Yes	-
	08	Technology controller actual value at the minimum	Yes	No	-
	09	Technology controller actual value at the maximum	Yes	No	-
	10	Technology controller output at the minimum	Yes	No	-
	11	Technology controller output at the maximum	Yes	No	-
	12	Fault response active	Yes	No	-

p2502[0...n] LR encoder assignment / Encoder assignment

CU250S_V (Pos ctrl)	Access level: 1	Calculated: -	Data type: Integer16
CU250S_V_CAN (Pos ctrl)	Can be changed: C(25)	Scaling: -	Dyn. index: DDS, p0180
CU250S_V_DP (Pos ctrl)	Units group: -	Unit selection: -	Func. diagram: 4010, 8570
CU250S_V_PN (Pos ctrl)	Min	Max	Factory setting
	0	2	1

Description: Setting to assign the encoder.

The actual value preprocessing and the closed-loop position control are carried out using the assigned encoder.

Value:	0: No encoder 1: Encoder 1 2: Encoder 2
---------------	---

2 Parameters

2.2 List of parameters

Dependency: Refer to: p0187, p0188
Notice: For the setting p2502 = 0 (no encoder), closed-loop position control is not possible. This setting is only practical as supportive measure to implement encoderless closed-loop speed control (e.g. if the motor encoder is defective).
Note: The assigned encoder (p2502 = 1, 2) must be allocated an encoder data set (p0187, p0188).

p2503[0...n] LR length unit LU per 10 mm / LU per 10 mm

CU250S_V (Pos ctrl)	Access level: 1	Calculated: -	Data type: Unsigned32
CU250S_V_CAN (Pos ctrl)	Can be changed: C(25)	Scaling: -	Dyn. index: DDS, p0180
CU250S_V_DP (Pos ctrl)	Units group: -	Unit selection: -	Func. diagram: 4010
CU250S_V_PN (Pos ctrl)	Min 1 [LU]	Max 2147483647 [LU]	Factory setting 10000 [LU]

Description: Sets the neutral length units LU per 10 mm.
Therefore, for a linear scale, a reference is established between the physical arrangement and the neutral length units LU used in the drive.
Example:
Linear scale, 10 mm should be broken down to units of μm (i.e. 1 LU = 1 μm).
--> p2503 = 10000

Note: The assignment to the grid spacing can be achieved using this for a rotary axis with linear encoder.
LU: Length Unit

p2504[0...n] LR motor/load motor revolutions / Mot/load motor rev

CU250S_V (Pos ctrl)	Access level: 1	Calculated: -	Data type: Unsigned32
CU250S_V_CAN (Pos ctrl)	Can be changed: C(25)	Scaling: -	Dyn. index: DDS, p0180
CU250S_V_DP (Pos ctrl)	Units group: -	Unit selection: -	Func. diagram: 4010, 4704, 4711
CU250S_V_PN (Pos ctrl)	Min 1	Max 1048576	Factory setting 1

Description: Sets the motor revolutions for the gearbox factor between the motor shaft and load shaft.
Gearbox factor = motor revolutions (p2504) / load revolutions (p2505)

Dependency: Refer to: p0432, p0433, p2505

Note: The gearbox factor between the encoder shaft and the motor shaft is set using p0432 and p0433.

p2505[0...n] LR motor/load load revolutions / Mot/load load rev

CU250S_V (Pos ctrl)	Access level: 1	Calculated: -	Data type: Integer32
CU250S_V_CAN (Pos ctrl)	Can be changed: C(25)	Scaling: -	Dyn. index: DDS, p0180
CU250S_V_DP (Pos ctrl)	Units group: -	Unit selection: -	Func. diagram: 4010, 4704, 4711
CU250S_V_PN (Pos ctrl)	Min -1048576	Max 1048576	Factory setting 1

Description: Sets the load revolutions for the gearbox factor between the motor shaft and load shaft.
Gearbox factor = motor revolutions (p2504) / load revolutions (p2505)

Dependency: Refer to: p0432, p0433, p2504

Note: The gearbox factor between the encoder shaft and the motor shaft is set using p0432 and p0433.

p2506[0...n]	LR length unit LU per load revolution / LU per load rev		
CU250S_V (Pos ctrl)	Access level: 1	Calculated: -	Data type: Unsigned32
CU250S_V_CAN (Pos ctrl)	Can be changed: C(25)	Scaling: -	Dyn. index: DDS, p0180
CU250S_V_DP (Pos ctrl)	Units group: -	Unit selection: -	Func. diagram: 4010
CU250S_V_PN (Pos ctrl)	Min 1 [LU]	Max 2147483647 [LU]	Factory setting 10000 [LU]
Description:	Sets the neutral length units LU per load revolution. Therefore, for a rotary encoder, a reference is established between the physical arrangement and the neutral length units LU used in the drive. Example: Rotary encoder, ballscrew with 10 mm/revolution, 10 mm should be broken down to units of μm (i.e. 1 LU = 1 μm). --> One load revolution corresponds to 10000 LU --> p2506 = 10000		
Note:	The position controller can only process position setpoints in the interpolator clock cycle (IPO clock cycle) in integer length units (LU, Length Unit). This is the reason that speed setpoints that are not a multiple integer of 1 LU per IPO clock cycle can only be realized as an average. The result speed setpoint steps are especially noticeable for a high loop gain or when the pre-control is active. Increasing p2506 counteracts this behavior.		

p2507[0...n]	LR absolute encoder adjustment status / Abs_enc_adj stat		
CU250S_V (Pos ctrl)	Access level: 1	Calculated: -	Data type: Integer16
CU250S_V_CAN (Pos ctrl)	Can be changed: U, T	Scaling: -	Dyn. index: EDS, p0140
CU250S_V_DP (Pos ctrl)	Units group: -	Unit selection: -	Func. diagram: 4010
CU250S_V_PN (Pos ctrl)	Min 0	Max 3	Factory setting 1
Description:	Activating the adjustment and display of the status of the adjustment for absolute encoders.		
Value:	0: Error occurred while adjusting 1: Absolute encoder not adjusted 2: Absolute encoder not adjusted and encoder adjustment initiated 3: Absolute encoder adjusted		
Dependency:	Refer to: p2525, p2598, p2599, p2733		
Caution:	For rotating absolute encoders, when adjusting, a range is set up symmetrically around zero with half of the encoder range, within which the position must be re-established after powering down/powering up. In this range, it is only permissible that the encoder overflows. After the adjustment has been completed, it must be guaranteed that the range is not exited. The reason for this is that outside the range, there is no clear reference any longer between the encoder actual value and mechanical system. If the reference point (CI: p2598) lies in this range, then the position actual value is set when adjusting to the reference point. Otherwise, adjustment is canceled with F07443. There is no overflow for linear absolute encoders. This means that after the adjustment, the position can be re-established in the complete traversing range after powering down/powering up. When adjusting, the position actual value is set to the reference point.		
Note:	The encoder adjustment is initiated with p2507 = 2. The status is displayed using the other values. In order to permanently save the determined position offset (p2525) and the DDS number (p2733), they must be saved in a non-volatile fashion (p0971, p0977). This adjustment can only be initiated for an absolute encoder.		

p2508[0...3]	BI: LR activate reference mark search / Ref_mark act		
CU250S_V (Pos ctrl)	Access level: 1	Calculated: -	Data type: U32 / Binary
CU250S_V_CAN (Pos ctrl)	Can be changed: T	Scaling: -	Dyn. index: -
CU250S_V_DP (Pos ctrl)	Units group: -	Unit selection: -	Func. diagram: 4010
CU250S_V_PN (Pos ctrl)	Min	Max	Factory setting
	-	-	[0] 2684.0
			[1] 0
			[2] 0
			[3] 0
Description:	Sets the signal source for the function "activate reference mark search".		
Index:	[0] = CI-loop pos ctrl [1] = Encoder 1 [2] = Encoder 2 [3] = Reserved		
Dependency:	Refer to: p0490, p2502, p2509, r2684		
Notice:	When activating the function "set position actual value" while the function "reference mark search" is activated, then the function "reference mark search" is automatically de-activated.		
Note:	The function can only be activated using a 0/1 signal if no reference function is active (r2526.2). If "reference mark search" and "measuring probe evaluation" are simultaneously activated, then no function is activated and the actual function is interrupted.		

p2509[0...3]	BI: LR activating measuring probe evaluation / MT_eval act		
CU250S_V (Pos ctrl)	Access level: 1	Calculated: -	Data type: U32 / Binary
CU250S_V_CAN (Pos ctrl)	Can be changed: T	Scaling: -	Dyn. index: -
CU250S_V_DP (Pos ctrl)	Units group: -	Unit selection: -	Func. diagram: 4010
CU250S_V_PN (Pos ctrl)	Min	Max	Factory setting
	-	-	[0] 2684.1
			[1] 0
			[2] 0
			[3] 0
Description:	Sets the signal source for the function "activating the measuring probe evaluation". 0/1 signal: The function "activate measuring probe evaluation" is started.		
Index:	[0] = CI-loop pos ctrl [1] = Encoder 1 [2] = Encoder 2 [3] = Reserved		
Dependency:	Refer to: p0488, p0489, p0490, p2502, p2508, p2510, p2511, p2517, p2518		
Notice:	When the "set position actual value" is activated while the function "measuring probe evaluation" is activated, then the function "measuring probe evaluation" is automatically de-activated.		
Note:	The function can only be activated using a 0/1 signal if no reference function is active (r2526.2). If "reference mark search" and "measuring probe evaluation" are simultaneously activated, then no function is activated and the actual function is interrupted.		

p2510[0...3]	BI: LR selecting measuring probe evaluation / MT_eval select		
CU250S_V (Pos ctrl)	Access level: 1	Calculated: -	Data type: U32 / Binary
CU250S_V_CAN (Pos ctrl)	Can be changed: T	Scaling: -	Dyn. index: -
CU250S_V_DP (Pos ctrl)	Units group: -	Unit selection: -	Func. diagram: 3615, 4010
CU250S_V_PN (Pos ctrl)	Min	Max	Factory setting
	-	-	0
Description:	Sets the signal source to select the measuring probe. 1 signal = measuring probe 2 is activated for BI: p2509 = 0/1 edge. 0 signal = measuring probe 1 is activated for BI: p2509 = 0/1 edge.		

Index: [0] = CI-loop pos ctrl
[1] = Encoder 1
[2] = Encoder 2
[3] = Reserved

Dependency: Refer to: p2502, p2509, p2511

Note: The following BICO interconnection is established as standard:

BI: p2509[0] = r2684.1

The measuring probe is selected at the 0/1 signal transition at r2684.1 (flying referencing active).

p2511[0...3] BI: LR measuring probe evaluation edge / MT_eval edge

CU250S_V (Pos ctrl)	Access level: 1	Calculated: -	Data type: U32 / Binary
CU250S_V_CAN (Pos ctrl)	Can be changed: T	Scaling: -	Dyn. index: -
CU250S_V_DP (Pos ctrl)	Units group: -	Unit selection: -	Func. diagram: 3615, 4010
CU250S_V_PN (Pos ctrl)	Min	Max	Factory setting
	-	-	0

Description: Sets the signal source for the edge evaluation of the measuring probe.
1 signal = falling edge of the measuring probe (p2510) is activated for BI: p2509 = 0/1 edge.
0 signal = rising edge of the measuring probe (p2510) is activated for BI: p2509 = 0/1 edge.

Index: [0] = CI-loop pos ctrl
[1] = Encoder 1
[2] = Encoder 2
[3] = Reserved

Dependency: Refer to: p2502, p2509, p2510

p2512[0...3] BI: LR pos. actual value preprocessing activate corr. value (edge) / ActVal_prepCorrAct

CU250S_V (Pos ctrl)	Access level: 1	Calculated: -	Data type: U32 / Binary
CU250S_V_CAN (Pos ctrl)	Can be changed: T	Scaling: -	Dyn. index: -
CU250S_V_DP (Pos ctrl)	Units group: -	Unit selection: -	Func. diagram: 4010, 4015
CU250S_V_PN (Pos ctrl)	Min	Max	Factory setting
	-	-	[0] 2684.7
			[1] 0
			[2] 0
			[3] 0

Description: Sets the signal source for the function "activate position actual value preprocessing, corrective value (edge)".
0/1 signal:


The correction value available via CI: p2513 is activated.

Index: [0] = CI-loop pos ctrl
[1] = Encoder 1
[2] = Encoder 2
[3] = Reserved

Dependency: Refer to: p2502, p2513, r2684

2 Parameters

2.2 List of parameters

p2513[0...3]		CI: LR Position actual value preprocessing corrective value / Act val_prep corr	
CU250S_V (Pos ctrl)	Access level: 1	Calculated: -	Data type: U32 / Integer32
CU250S_V_CAN (Pos ctrl)	Can be changed: T	Scaling: -	Dyn. index: -
CU250S_V_DP (Pos ctrl)	Units group: -	Unit selection: -	Func. diagram: 4010, 4015
CU250S_V_PN (Pos ctrl)	Min	Max	Factory setting
	-	-	[0] 2685[0] [1] 0 [2] 0 [3] 0
Description:	Sets the signal source for the corrective value for position actual value preprocessing.		
Index:	[0] = CI-loop pos ctrl [1] = Encoder 1 [2] = Encoder 2 [3] = Reserved		
Dependency:	Refer to: p2502, p2512, r2521, r2685		
Note:	For BI: p2512[0] = 0/1 signal, the position actual value (CO: r2521[0]) is corrected corresponding to the value via CI: p2513[0]. In so doing, the sign of the corrective value present is taken into account.		
p2514[0...3]		BI: LR activate position actual value setting / s_act setting act	
CU250S_V (Pos ctrl)	Access level: 1	Calculated: -	Data type: U32 / Binary
CU250S_V_CAN (Pos ctrl)	Can be changed: T	Scaling: -	Dyn. index: -
CU250S_V_DP (Pos ctrl)	Units group: -	Unit selection: -	Func. diagram: 4010
CU250S_V_PN (Pos ctrl)	Min	Max	Factory setting
	-	-	0
Description:	Sets the signal source to activate the function "set position actual value".		
Index:	[0] = CI-loop pos ctrl [1] = Encoder 1 [2] = Encoder 2 [3] = Reserved		
Dependency:	Refer to: p2502, p2515		
Warning:	As long as the position actual value is set, encoder increments that are received are not evaluated. In this state, any position difference cannot be corrected!		
			
Notice:	When the function "set position actual value" is activated while the function "reference mark search" or "measuring probe evaluation" is activated, then the corresponding function is de-activated.		
Note:	BI: p2514 = 1 signal: The position actual value is set to the setting value in CI: p2515. Alarm A07497 "position setting value activated" is output. Encoder increments that are received in the meantime, are not taken into account. BI: p2514 = 1/0 signal: The position actual value preprocessing is activated and is based on the setting value.		
p2515[0...3]		CI: LR position actual setting setting value / s_act set setVal	
CU250S_V (Pos ctrl)	Access level: 1	Calculated: -	Data type: U32 / Integer32
CU250S_V_CAN (Pos ctrl)	Can be changed: T	Scaling: -	Dyn. index: -
CU250S_V_DP (Pos ctrl)	Units group: -	Unit selection: -	Func. diagram: 4010
CU250S_V_PN (Pos ctrl)	Min	Max	Factory setting
	-	-	0
Description:	Sets the signal source for the setting value of the function "setting position actual value".		
Index:	[0] = CI-loop pos ctrl [1] = Encoder 1 [2] = Encoder 2 [3] = Reserved		
Dependency:	Refer to: p2502, p2514		

p2516[0...3]		CI: LR position offset / Position offset	
CU250S_V (Pos ctrl)	Access level: 1	Calculated: -	Data type: U32 / Integer32
CU250S_V_CAN (Pos ctrl)	Can be changed: T	Scaling: -	Dyn. index: -
CU250S_V_DP (Pos ctrl)	Units group: -	Unit selection: -	Func. diagram: 4010
CU250S_V_PN (Pos ctrl)	Min	Max	Factory setting
	-	-	[0] 2667[0]
			[1] 0
			[2] 0
			[3] 0
Description:	Sets the signal source for the position offset.		
Index:	[0] = CI-loop pos ctrl [1] = Encoder 1 [2] = Encoder 2 [3] = Reserved		
Dependency:	Refer to: p2502, r2667		

p2517[0...2]		LR direct measuring probe 1 / Direct MT 1	
CU250S_V (Pos ctrl)	Access level: 3	Calculated: -	Data type: Integer16
CU250S_V_CAN (Pos ctrl)	Can be changed: U, T	Scaling: -	Dyn. index: -
CU250S_V_DP (Pos ctrl)	Units group: -	Unit selection: -	Func. diagram: 4010
CU250S_V_PN (Pos ctrl)	Min	Max	Factory setting
	0	27	0
Description:	Sets the input terminal for direct measuring probe 1. After it has been activated via binector input: p2509 = 0/1 signal, the direct measuring probe measures once and can be used with EPOS. In order to process signals faster, the direct measuring probe bypasses the handshake technique via the encoder control word and encoder status word.		
Value:	0: No meas probe 24: DI/DO 24 (X208-3) 25: DI/DO 25 (X208-4) 26: DI/DO 26 (X208-5) 27: DI/DO 27 (X208-6)		
Index:	[0] = Encoder 1 [1] = Encoder 2 [2] = Reserved		
Dependency:	Refer to: p0490, p2509, p2510, p2511		
Note:	DI: Digital Input If parameter change is rejected, it should be checked whether the input terminal is not already being used in p0488, p0489, p0493, p0494 or p0580. Direct measurement via p2517 has a higher priority than measurements via p0488.		

p2518[0...2]		LR direct measuring probe 2 / Direct MT 2	
CU250S_V (Pos ctrl)	Access level: 3	Calculated: -	Data type: Integer16
CU250S_V_CAN (Pos ctrl)	Can be changed: U, T	Scaling: -	Dyn. index: -
CU250S_V_DP (Pos ctrl)	Units group: -	Unit selection: -	Func. diagram: 4010
CU250S_V_PN (Pos ctrl)	Min	Max	Factory setting
	0	27	0
Description:	Sets the input terminal for direct measuring probe 2. After it has been activated via binector input: p2509 = 0/1 signal, the direct measuring probe measures once and can be used with EPOS. In order to process signals faster, the direct measuring probe bypasses the handshake technique via the encoder control word and encoder status word.		

2 Parameters

2.2 List of parameters

Value:	0: No meas probe 24: DI/DO 24 (X208-3) 25: DI/DO 25 (X208-4) 26: DI/DO 26 (X208-5) 27: DI/DO 27 (X208-6)
Index:	[0] = Encoder 1 [1] = Encoder 2 [2] = Reserved
Dependency:	Refer to: p0490, p2509, p2510, p2511
Note:	DI: Digital Input If parameter change is rejected, it should be checked whether the input terminal is not already being used in p0488, p0489, p0493, p0494 or p0580. Direct measurement via p2518 has a higher priority than measurements via p0489.

p2519[0...n] LR position actual value preprocessing config. DDS changeover / s_act config DDS

CU250S_V (Pos ctrl)	Access level: 4	Calculated: -	Data type: Integer16
CU250S_V_CAN (Pos ctrl)	Can be changed: U, T	Scaling: -	Dyn. index: DDS, p0180
CU250S_V_DP (Pos ctrl)	Units group: -	Unit selection: -	Func. diagram: -
CU250S_V_PN (Pos ctrl)	Min	Max	Factory setting
	0	5	1

Description:	Sets the behavior of the position actual value preprocessing for the position controller for a DDS changeover. Re p2519 = 1: In the following cases, for a DDS changeover, the actual position actual value becomes invalid and the reference point is reset: - the EDS effective for the closed-loop position control changes. - the encoder assignment changes (p2502). - the mechanical relationships change (p2503 ... p2506). - the direction of rotation changes (p1821). For absolute encoders, the status of the adjustment (p2507) is also reset if the same absolute encoder remains selected for the closed-loop position control, but the mechanical relationships or the direction of rotation have changed. In the operation state, in addition, a fault (F07494) is generated.
Notice:	The remaining setting values are intended for expanded functionality.
Note:	The behavior for a DDS changeover is determined using the value of p2519 in the target data set.

r2520[0...2] CO: LR Position actual value preprocessing encoder control word / ActVal_prep STW

CU250S_V (Pos ctrl)	Access level: 1	Calculated: -	Data type: Unsigned16
CU250S_V_CAN (Pos ctrl)	Can be changed: -	Scaling: -	Dyn. index: -
CU250S_V_DP (Pos ctrl)	Units group: -	Unit selection: -	Func. diagram: 4010
CU250S_V_PN (Pos ctrl)	Min	Max	Factory setting
	-	-	-

Description:	Display and connector output for the encoder control word generated by the position actual value preprocessing.
Index:	[0] = Encoder 1 [1] = Encoder 2 [2] = Reserved

Bit field:	Bit	Signal name	1 signal	0 signal	FP
	00	Request function 1	Yes	No	-
	01	Request function 2	Yes	No	-
	02	Request function 3	Yes	No	-
	03	Request function 4	Yes	No	-
	04	Request command bit 0	Yes	No	-
	05	Request command bit 1	Yes	No	-
	06	Request command bit 2	Yes	No	-
	07	Flying measurement mode/search for reference mark	Flying measurement	Reference marks	-

13	Request absolute value cyclic	Yes	No	-
14	Request parking encoder	Yes	No	-
15	Request acknowledge encoder fault	Yes	No	-

Dependency: Refer to: p0480

r2521[0...3] CO: LR position actual value / s_act

CU250S_V (Pos ctrl)	Access level: 1	Calculated: -	Data type: Integer32
CU250S_V_CAN (Pos ctrl)	Can be changed: -	Scaling: -	Dyn. index: -
CU250S_V_DP (Pos ctrl)	Units group: -	Unit selection: -	Func. diagram: 4010
CU250S_V_PN (Pos ctrl)	Min	Max	Factory setting
	- [LU]	- [LU]	- [LU]

Description: Display and connector output for the actual position actual value determined by the position actual value preprocessing.

Index:
 [0] = CI-loop pos ctrl
 [1] = Encoder 1
 [2] = Encoder 2
 [3] = Reserved

Dependency: Refer to: p2502, r2526

Note:
 r2526.0 = 1 --> The position actual value in r2521[0] for the position control is valid.
 r2527.0 = 1 --> The position actual value in r2521[1] for encoder 1 is valid.
 r2528.0 = 1 --> The position actual value in r2521[2] for encoder 2 is valid.

r2522[0...3] CO: LR velocity actual value / v_act

CU250S_V (Pos ctrl)	Access level: 1	Calculated: -	Data type: Integer32
CU250S_V_CAN (Pos ctrl)	Can be changed: -	Scaling: -	Dyn. index: -
CU250S_V_DP (Pos ctrl)	Units group: -	Unit selection: -	Func. diagram: 4010
CU250S_V_PN (Pos ctrl)	Min	Max	Factory setting
	- [1000 LU/min]	- [1000 LU/min]	- [1000 LU/min]

Description: Display and connector output for the actual position actual value determined by the velocity actual value preprocessing.

Index:
 [0] = CI-loop pos ctrl
 [1] = Encoder 1
 [2] = Encoder 2
 [3] = Reserved

Dependency: Refer to: p2502, r2526

Note:
 r2526.0 = 1 --> The velocity actual value in r2522[0] for the position control is valid.
 r2527.0 = 1 --> The velocity actual value in r2522[1] for encoder 1 is valid.
 r2528.0 = 1 --> The velocity actual value in r2522[2] for encoder 2 is valid.

r2523[0...3] CO: LR measured value / Measured value

CU250S_V (Pos ctrl)	Access level: 1	Calculated: -	Data type: Integer32
CU250S_V_CAN (Pos ctrl)	Can be changed: -	Scaling: -	Dyn. index: -
CU250S_V_DP (Pos ctrl)	Units group: -	Unit selection: -	Func. diagram: 4010
CU250S_V_PN (Pos ctrl)	Min	Max	Factory setting
	- [LU]	- [LU]	- [LU]

Description: Display and connector output for the value determined by the function "reference mark search" and "measuring probe evaluation".

Index:
 [0] = CI-loop pos ctrl
 [1] = Encoder 1
 [2] = Encoder 2
 [3] = Reserved

Dependency: Refer to: p2502, r2526

2 Parameters

2.2 List of parameters

Note: r2526.2 = 1 --> The measured value in r2523[0] for the position control is valid.
 r2527.2 = 1 --> The measured value in r2523[1] for encoder 1 is valid.
 r2528.2 = 1 --> The measured value in r2523[2] for encoder 2 is valid.

r2524		CO: LR LU/revolution / LU/revolution		
CU250S_V (Pos ctrl)	Access level: 1	Calculated: -	Data type: FloatingPoint32	
CU250S_V_CAN (Pos ctrl)	Can be changed: -	Scaling: -	Dyn. index: -	
CU250S_V_DP (Pos ctrl)	Units group: -	Unit selection: -	Func. diagram: 3630, 4010	
CU250S_V_PN (Pos ctrl)	Min - [LU]	Max - [LU]	Factory setting - [LU]	
Description:	Display and connector output for the internal length units LU/motor revolution.			
Dependency:	Refer to: p0404			

p2525[0...n]		CO: LR encoder adjustment offset / Enc_adj offset		
CU250S_V (Pos ctrl)	Access level: 4	Calculated: -	Data type: Unsigned32	
CU250S_V_CAN (Pos ctrl)	Can be changed: T	Scaling: -	Dyn. index: EDS, p0140	
CU250S_V_DP (Pos ctrl)	Units group: -	Unit selection: -	Func. diagram: 4010	
CU250S_V_PN (Pos ctrl)	Min 0 [LU]	Max 4294967295 [LU]	Factory setting 0 [LU]	
Description:	Position offset when adjusting the absolute encoder.			
Dependency:	Refer to: p0404, p2507, p2733			
Note:	The position offset is only relevant for absolute encoders. The drive determines the value when adjusting the absolute encoder and the user should not change it.			

r2526.0...9		CO/BO: LR status word / ZSW			
CU250S_V (Pos ctrl)	Access level: 1	Calculated: -	Data type: Unsigned16		
CU250S_V_CAN (Pos ctrl)	Can be changed: -	Scaling: -	Dyn. index: -		
CU250S_V_DP (Pos ctrl)	Units group: -	Unit selection: -	Func. diagram: -		
CU250S_V_PN (Pos ctrl)	Min -	Max -	Factory setting -		
Description:	Display and BICO output for the status word of the position controller.				
Bit field:	Bit	Signal name	1 signal	0 signal	FP
	00	Position actual value valid	Yes	No	4010, 4015
	01	Referencing active	Yes	No	4010
	02	Measured value valid	Yes	No	3615, 4010
	03	Closed-loop position control active	Yes	No	4015
	04	Fixed stop reached	Yes	No	3617, 4025
	05	Fixed stop outside window	Yes	No	3617, 4025
	06	Position controller output limited	Yes	No	4015
	07	Request tracking mode	Yes	No	-
	08	Clamping active when traveling to fixed stop	Yes	No	4025
	09	Setting value for adjustment valid	Yes	No	-
Dependency:	Refer to: r2521, r2522, r2523				
Note:	Re bit 04: The signal is influenced via p2634. Re bit 05: The signal is influenced via p2635.				

r2527.0...2 CO/BO: LR actual value sensing status word encoder 1 / ActValSensZSW enc1

CU250S_V (Pos ctrl)	Access level: 1	Calculated: -	Data type: Unsigned16
CU250S_V_CAN (Pos ctrl)	Can be changed: -	Scaling: -	Dyn. index: -
CU250S_V_DP (Pos ctrl)	Units group: -	Unit selection: -	Func. diagram: -
CU250S_V_PN (Pos ctrl)	Min	Max	Factory setting
	-	-	-

Description: Display and BICO output for the status word of the position actual value sensing from encoder 1.

Bit field:	Bit	Signal name	1 signal	0 signal	FP
	00	Position actual value valid	Yes	No	-
	01	Referencing active	Yes	No	-
	02	Measured value valid	Yes	No	-

r2528.0...2 CO/BO: LR actual value sensing status word encoder 2 / ActValSensZSW enc2

CU250S_V (Pos ctrl)	Access level: 1	Calculated: -	Data type: Unsigned16
CU250S_V_CAN (Pos ctrl)	Can be changed: -	Scaling: -	Dyn. index: -
CU250S_V_DP (Pos ctrl)	Units group: -	Unit selection: -	Func. diagram: -
CU250S_V_PN (Pos ctrl)	Min	Max	Factory setting
	-	-	-

Description: Display and BICO output for the status word of the position actual value sensing from encoder 2.

Bit field:	Bit	Signal name	1 signal	0 signal	FP
	00	Position actual value valid	Yes	No	-
	01	Referencing active	Yes	No	-
	02	Measured value valid	Yes	No	-

p2530 CI: LR position setpoint / s_set

CU250S_V (Pos ctrl)	Access level: 1	Calculated: -	Data type: U32 / Integer32
CU250S_V_CAN (Pos ctrl)	Can be changed: T	Scaling: -	Dyn. index: -
CU250S_V_DP (Pos ctrl)	Units group: -	Unit selection: -	Func. diagram: 4015, 4020
CU250S_V_PN (Pos ctrl)	Min	Max	Factory setting
	-	-	2665[0]

Description: Sets the signal source for the position setpoint of the position controller.

Dependency: Refer to: r2665

p2531 CI: LR velocity setpoint / v_set

CU250S_V (Pos ctrl)	Access level: 1	Calculated: -	Data type: U32 / Integer32
CU250S_V_CAN (Pos ctrl)	Can be changed: T	Scaling: -	Dyn. index: -
CU250S_V_DP (Pos ctrl)	Units group: -	Unit selection: -	Func. diagram: 4015
CU250S_V_PN (Pos ctrl)	Min	Max	Factory setting
	-	-	2666[0]

Description: Sets the signal source for the velocity setpoint of the position controller.

Dependency: Refer to: r2666

2 Parameters

2.2 List of parameters

p2532	CI: LR position actual value / s_act		
CU250S_V (Pos ctrl)	Access level: 3	Calculated: -	Data type: U32 / Integer32
CU250S_V_CAN (Pos ctrl)	Can be changed: T	Scaling: -	Dyn. index: -
CU250S_V_DP (Pos ctrl)	Units group: -	Unit selection: -	Func. diagram: 4015, 4020, 4025
CU250S_V_PN (Pos ctrl)	Min	Max	Factory setting
	-	-	2521[0]
Description:	Sets the signal source for the position actual value of the position controller.		
Dependency:	Refer to: r2521		
p2533[0...n]	LR position setpoint filter time constant / s_set_filt T		
CU250S_V (Pos ctrl)	Access level: 1	Calculated: -	Data type: FloatingPoint32
CU250S_V_CAN (Pos ctrl)	Can be changed: U, T	Scaling: -	Dyn. index: DDS, p0180
CU250S_V_DP (Pos ctrl)	Units group: -	Unit selection: -	Func. diagram: 4015
CU250S_V_PN (Pos ctrl)	Min	Max	Factory setting
	0.00 [ms]	1000.00 [ms]	0.00 [ms]
Description:	Sets the time constant for the position setpoint filter (PT1).		
Note:	The effective Kv factor (position loop gain) is reduced with the filter. This allows a softer control behavior with improved tolerance with respect to noise/disturbances.		
	Applications:		
	- reduces the pre-control dynamic response.		
	- jerk limiting.		
p2534[0...n]	LR speed pre-control factor / n_prectrl fact		
CU250S_V (Pos ctrl)	Access level: 1	Calculated: -	Data type: FloatingPoint32
CU250S_V_CAN (Pos ctrl)	Can be changed: U, T	Scaling: -	Dyn. index: DDS, p0180
CU250S_V_DP (Pos ctrl)	Units group: -	Unit selection: -	Func. diagram: 4015, 4025
CU250S_V_PN (Pos ctrl)	Min	Max	Factory setting
	0.00 [%]	200.00 [%]	0.00 [%]
Description:	Setting to activate and weight the speed pre-control value. Value = 0 % --> The pre-control is de-activated.		
Dependency:	Refer to: p2535, p2536, r2563		
Note:	When the axis control loop is optimally set as well as a precisely determined equivalent time constant of the speed control loop, the pre-control factor is 100%.		
p2535[0...n]	LR speed pre-control balancing filter dead time / n_prectrFlt t_dead		
CU250S_V (Pos ctrl)	Access level: 1	Calculated: -	Data type: FloatingPoint32
CU250S_V_CAN (Pos ctrl)	Can be changed: U, T	Scaling: -	Dyn. index: DDS, p0180
CU250S_V_DP (Pos ctrl)	Units group: -	Unit selection: -	Func. diagram: 4015
CU250S_V_PN (Pos ctrl)	Min	Max	Factory setting
	0.00	2.00	0.00
Description:	Sets the "fractional" dead time to emulate the timing behavior of the speed control loop. The multiplier that has been set refers to the position controller sampling time. VECTOR: dead time = p2535 * 8000		
Dependency:	Refer to: p2536		
Notice:	When speed pre-control is active (p2534 > 0 %), the following applies: In addition to the set dead time (p2535), internally two position controller clock cycles are effective. When speed pre-control is inactive (p2534 = 0 %), the following applies: No dead time is effective (p2535 and internal).		

Note: Together with p2536, the timing behavior of the closed-loop control loop can be emulated.

p2536[0...n]	LR speed pre-control symmetrizing filter PT1 / n_prectrl filt PT1		
CU250S_V (Pos ctrl)	Access level: 1	Calculated: -	Data type: FloatingPoint32
CU250S_V_CAN (Pos ctrl)	Can be changed: U, T	Scaling: -	Dyn. index: DDS, p0180
CU250S_V_DP (Pos ctrl)	Units group: -	Unit selection: -	Func. diagram: 4015
CU250S_V_PN (Pos ctrl)	Min 0.00 [ms]	Max 100.00 [ms]	Factory setting 0.00 [ms]

Description: Sets a PT1 filter to emulate the timing behavior of the closed-speed control loop.

Dependency: Refer to: p2535

Notice: When speed pre-control is inactive (p2534 = 0 %), the following applies:
If a PT1 filter has been set, it is not effective.

Note: Together with p2535, the timing behavior of the closed-loop control loop can be emulated.

p2537	CI: LR position controller adaptation / Adaptation		
CU250S_V (Pos ctrl)	Access level: 1	Calculated: -	Data type: U32 / FloatingPoint32
CU250S_V_CAN (Pos ctrl)	Can be changed: T	Scaling: PERCENT	Dyn. index: -
CU250S_V_DP (Pos ctrl)	Units group: -	Unit selection: -	Func. diagram: 4015
CU250S_V_PN (Pos ctrl)	Min -	Max -	Factory setting 1

Description: Sets the signal source for the adaptation of the proportional gain of the position controller.

Dependency: Refer to: p2538

p2538[0...n]	LR proportional gain / Kp		
CU250S_V (Pos ctrl)	Access level: 1	Calculated: -	Data type: FloatingPoint32
CU250S_V_CAN (Pos ctrl)	Can be changed: U, T	Scaling: -	Dyn. index: DDS, p0180
CU250S_V_DP (Pos ctrl)	Units group: -	Unit selection: -	Func. diagram: 4015
CU250S_V_PN (Pos ctrl)	Min 0.000 [1000/min]	Max 300.000 [1000/min]	Factory setting 1.000 [1000/min]

Description: Sets the proportional gain (P gain, position loop gain, Kv factor) of the position controller.

Dependency: Refer to: p2537, p2539, p2555, r2557, r2558

Note: The proportional gain is used define at which traversing velocity which following error is obtained (without pre-control)
Low proportional gain:
Slow response to a setpoint - actual value difference, the following error becomes large.
High proportional gain:
Fast response to the setpoint - actual value difference, the following error becomes small.

p2539[0...n]	LR integral time / Tn		
CU250S_V (Pos ctrl)	Access level: 1	Calculated: -	Data type: FloatingPoint32
CU250S_V_CAN (Pos ctrl)	Can be changed: U, T	Scaling: -	Dyn. index: DDS, p0180
CU250S_V_DP (Pos ctrl)	Units group: -	Unit selection: -	Func. diagram: 4015
CU250S_V_PN (Pos ctrl)	Min 0.00 [ms]	Max 100000.00 [ms]	Factory setting 0.00 [ms]

Description: Setting to activate the integral time of the position controller.

Value = 0 ms --> The I component of the position controller is de-activated.

Dependency: Refer to: p2538, r2559

2 Parameters

2.2 List of parameters

p2540	CO: LR position controller output speed limit / LR_outp n_lim		
CU250S_V (Pos ctrl)	Access level: 3	Calculated: -	Data type: FloatingPoint32
CU250S_V_CAN (Pos ctrl)	Can be changed: U, T	Scaling: p2000	Dyn. index: -
CU250S_V_DP (Pos ctrl)	Units group: 3_1	Unit selection: p0505	Func. diagram: 4015
CU250S_V_PN (Pos ctrl)	Min 0.000 [rpm]	Max 210000.000 [rpm]	Factory setting 210000.000 [rpm]
Description:	Setting and connector output for the speed limit of the position controller output.		
Dependency:	Refer to: p2541		

p2541	CI: LR position controller output speed limit signal source / LR_out n_lim S_src		
CU250S_V (Pos ctrl)	Access level: 1	Calculated: -	Data type: U32 / FloatingPoint32
CU250S_V_CAN (Pos ctrl)	Can be changed: T	Scaling: p2000	Dyn. index: -
CU250S_V_DP (Pos ctrl)	Units group: -	Unit selection: -	Func. diagram: 4015
CU250S_V_PN (Pos ctrl)	Min -	Max -	Factory setting 2540[0]
Description:	Sets the signal source for the position controller output limit.		
Dependency:	Refer to: p2540		

p2542	LR standstill window / Standstill window		
CU250S_V (Pos ctrl)	Access level: 1	Calculated: -	Data type: Unsigned32
CU250S_V_CAN (Pos ctrl)	Can be changed: U, T	Scaling: -	Dyn. index: -
CU250S_V_DP (Pos ctrl)	Units group: -	Unit selection: -	Func. diagram: 4020
CU250S_V_PN (Pos ctrl)	Min 0 [LU]	Max 2147483647 [LU]	Factory setting 200 [LU]
Description:	Sets the standstill window for the standstill monitoring function. After the standstill monitoring time expires, it is cyclically checked whether the difference between the setpoint and actual position is located within the standstill window and, if required, an appropriate fault is output. Value = 0 --> The standstill monitoring is de-activated.		
Dependency:	Refer to: p2543, p2544		
Note:	The following applies for the setting of the standstill and positioning window: Standstill window (p2542) >= positioning window (p2544)		

p2543	LR standstill monitoring time / t_standstill monit		
CU250S_V (Pos ctrl)	Access level: 1	Calculated: -	Data type: FloatingPoint32
CU250S_V_CAN (Pos ctrl)	Can be changed: U, T	Scaling: -	Dyn. index: -
CU250S_V_DP (Pos ctrl)	Units group: -	Unit selection: -	Func. diagram: 4020
CU250S_V_PN (Pos ctrl)	Min 0.00 [ms]	Max 100000.00 [ms]	Factory setting 200.00 [ms]
Description:	Sets the standstill monitoring time for the standstill monitoring function. After the standstill monitoring time expires, it is cyclically checked whether the difference between the setpoint and actual position is located within the standstill window and, if required, an appropriate fault is output.		
Dependency:	Refer to: p2542, p2545		
Note:	The following applies for the setting of the standstill and positioning monitoring time: Standstill monitoring time (p2543) <= positioning monitoring time (p2545)		

p2544	LR positioning window / Pos_window		
CU250S_V (Pos ctrl)	Access level: 1	Calculated: -	Data type: Unsigned32
CU250S_V_CAN (Pos ctrl)	Can be changed: U, T	Scaling: -	Dyn. index: -
CU250S_V_DP (Pos ctrl)	Units group: -	Unit selection: -	Func. diagram: 4020
CU250S_V_PN (Pos ctrl)	Min 0 [LU]	Max 2147483647 [LU]	Factory setting 40 [LU]
Description:	Sets the positioning window for the positioning monitoring function. After the positioning monitoring time expires, it is checked once as to whether the difference between the setpoint and actual position lies within the positioning window and if required an appropriate fault is output. Value = 0 --> The positioning monitoring function is de-activated.		
Dependency:	Refer to: p2542, p2545, r2684		
Note:	The following applies for the setting of the standstill and positioning window: Standstill window (p2542) >= positioning window (p2544)		

p2545	LR positioning monitoring time / t_pos_monit		
CU250S_V (Pos ctrl)	Access level: 1	Calculated: -	Data type: FloatingPoint32
CU250S_V_CAN (Pos ctrl)	Can be changed: U, T	Scaling: -	Dyn. index: -
CU250S_V_DP (Pos ctrl)	Units group: -	Unit selection: -	Func. diagram: 4020
CU250S_V_PN (Pos ctrl)	Min 0.00 [ms]	Max 100000.00 [ms]	Factory setting 1000.00 [ms]
Description:	Sets the positioning monitoring time for the positioning monitoring. After the positioning monitoring time expires, it is checked once as to whether the difference between the setpoint and actual position lies within the positioning window and if required an appropriate fault is output.		
Dependency:	Refer to: p2543, p2544, r2684		
Note:	The following applies for the setting of the standstill and positioning monitoring time: Standstill monitoring time (p2543) <= positioning monitoring time (p2545)		

p2546[0...n]	LR dynamic following error monitoring tolerance / s_delta_monit tol		
CU250S_V (Pos ctrl)	Access level: 1	Calculated: -	Data type: Unsigned32
CU250S_V_CAN (Pos ctrl)	Can be changed: U, T	Scaling: -	Dyn. index: DDS, p0180
CU250S_V_DP (Pos ctrl)	Units group: -	Unit selection: -	Func. diagram: 4025
CU250S_V_PN (Pos ctrl)	Min 0 [LU]	Max 2147483647 [LU]	Factory setting 1000 [LU]
Description:	Sets the tolerance for the dynamic following error monitoring. If the dynamic following error (r2563) exceeds the selected tolerance, then an appropriate fault is output. Value = 0 --> The dynamic following error monitoring is de-activated.		
Dependency:	Refer to: r2563, r2684		
Note:	The tolerance bandwidth is intended to prevent the dynamic following error monitoring incorrectly responding due to operational control sequences (e.g. during load surges).		

p2547	LR cam switching position 1 / Cam position 1		
CU250S_V (Pos ctrl)	Access level: 1	Calculated: -	Data type: Integer32
CU250S_V_CAN (Pos ctrl)	Can be changed: U, T	Scaling: -	Dyn. index: -
CU250S_V_DP (Pos ctrl)	Units group: -	Unit selection: -	Func. diagram: 4025
CU250S_V_PN (Pos ctrl)	Min -2147483648 [LU]	Max 2147483647 [LU]	Factory setting 0 [LU]
Description:	Sets the cam switching position 1.		
Dependency:	Refer to: p2548, r2683		

2 Parameters

2.2 List of parameters

Caution: Only after the axis has been referenced can it be guaranteed that the cam switching signals when output have a "true" position reference.



Note: Position actual value <= cam switching position 1 --> r2683.8 = 1 signal
Position actual value > cam switching position 1 --> r2683.8 = 0 signal

p2548 LR cam switching position 2 / Cam position 2

CU250S_V (Pos ctrl)	Access level: 1	Calculated: -	Data type: Integer32
CU250S_V_CAN (Pos ctrl)	Can be changed: U, T	Scaling: -	Dyn. index: -
CU250S_V_DP (Pos ctrl)	Units group: -	Unit selection: -	Func. diagram: 4025
CU250S_V_PN (Pos ctrl)	Min	Max	Factory setting
	-2147483648 [LU]	2147483647 [LU]	0 [LU]

Description: Sets the cam switching position 2.

Dependency: Refer to: p2547, r2683

Caution: Only after the axis has been referenced can it be guaranteed that the cam switching signals when output have a "true" position reference.



Note: Position actual value <= cam switching position 2 --> r2683.9 = 1 signal
Position actual value > cam switching position 2 --> r2683.9 = 0 signal

p2549 BI: LR enable 1 / Enable 1

CU250S_V (Pos ctrl)	Access level: 1	Calculated: -	Data type: U32 / Binary
CU250S_V_CAN (Pos ctrl)	Can be changed: T	Scaling: -	Dyn. index: -
CU250S_V_DP (Pos ctrl)	Units group: -	Unit selection: -	Func. diagram: 4015
CU250S_V_PN (Pos ctrl)	Min	Max	Factory setting
	-	-	899.2

Description: Sets the signal source for the position controller enable 1.

Dependency: Refer to: r0899, p2550

Note: The position controller is enabled by the following AND logic operation:

- BI: p2549

- BI: p2550

p2550 BI: LR enable 2 / Enable 2

CU250S_V (Pos ctrl)	Access level: 1	Calculated: -	Data type: U32 / Binary
CU250S_V_CAN (Pos ctrl)	Can be changed: T	Scaling: -	Dyn. index: -
CU250S_V_DP (Pos ctrl)	Units group: -	Unit selection: -	Func. diagram: 4015
CU250S_V_PN (Pos ctrl)	Min	Max	Factory setting
	-	-	1

Description: Sets the signal source for the position controller enable 2.

Dependency: Refer to: p2549

Note: The position controller is enabled by the following AND logic operation:

- BI: p2549

- BI: p2550

p2551	BI: LR setpoint signal fixed / Mess setp fixed		
CU250S_V (Pos ctrl)	Access level: 1	Calculated: -	Data type: U32 / Binary
CU250S_V_CAN (Pos ctrl)	Can be changed: T	Scaling: -	Dyn. index: -
CU250S_V_DP (Pos ctrl)	Units group: -	Unit selection: -	Func. diagram: 4020
CU250S_V_PN (Pos ctrl)	Min	Max	Factory setting
	-	-	2683.2
Description:	Sets the signal source for the "setpoint fixed" signal. BI: p2551 = 1 signal: The end of the positioning operation on the setpoint side is signaled and the positioning and standstill monitoring activated. BI: p2551 = 0 signal: The start of a positioning operation or tracking mode on the setpoint side is signaled and the positioning and standstill monitoring de-activated.		
Dependency:	Refer to: p2554, r2683		
p2552	BI: LR signal travel to fixed stop active / Signal TfS act		
CU250S_V (Pos ctrl)	Access level: 1	Calculated: -	Data type: U32 / Binary
CU250S_V_CAN (Pos ctrl)	Can be changed: T	Scaling: -	Dyn. index: -
CU250S_V_DP (Pos ctrl)	Units group: -	Unit selection: -	Func. diagram: 4025
CU250S_V_PN (Pos ctrl)	Min	Max	Factory setting
	-	-	2683.14
Description:	Sets the signal source for the signal "travel to fixed stop active". BI: p2552 = 1 signal: The activity associated with travel to fixed stop is signaled and the detection of the fixed stop is started via the maximum following error (p2634).		
Dependency:	Refer to: r2683		
p2553	BI: LR signal fixed stop reached / Signal fixed stop		
CU250S_V (Pos ctrl)	Access level: 1	Calculated: -	Data type: U32 / Binary
CU250S_V_CAN (Pos ctrl)	Can be changed: T	Scaling: -	Dyn. index: -
CU250S_V_DP (Pos ctrl)	Units group: -	Unit selection: -	Func. diagram: 4025
CU250S_V_PN (Pos ctrl)	Min	Max	Factory setting
	-	-	2683.12
Description:	Sets the signal source for the signal "fixed stop reached". BI: p2553 = 1 signal: When the fixed stop is reached, this is signaled and the fixed stop monitoring window is activated.		
Dependency:	Refer to: r2683		
p2554	BI: LR signal traversing command active / Sig trav_cmnd act		
CU250S_V (Pos ctrl)	Access level: 1	Calculated: -	Data type: U32 / Binary
CU250S_V_CAN (Pos ctrl)	Can be changed: T	Scaling: -	Dyn. index: -
CU250S_V_DP (Pos ctrl)	Units group: -	Unit selection: -	Func. diagram: 4020
CU250S_V_PN (Pos ctrl)	Min	Max	Factory setting
	-	-	2684.15
Description:	Sets the signal source for the signal "traversing command active". BI: p2554 = 1 signal: It is signaled that positioning is active and therefore the positioning monitoring is not activated with the signal "setpoint fixed" (p2551).		

2 Parameters

2.2 List of parameters

Dependency: Refer to: p2551, r2684

p2555	CI: LR LU/revolution LU/mm / LU/rev LU/mm		
CU250S_V (Pos ctrl)	Access level: 3	Calculated: -	Data type: U32 / FloatingPoint32
CU250S_V_CAN (Pos ctrl)	Can be changed: T	Scaling: -	Dyn. index: -
CU250S_V_DP (Pos ctrl)	Units group: -	Unit selection: -	Func. diagram: 4015
CU250S_V_PN (Pos ctrl)	Min	Max	Factory setting
	-	-	2524[0]

Description: Sets the signal source for the reference of the internal length units LU to motor revolution for rotary encoders and to mm for linear encoders.

Dependency: Refer to: p0404, r2524

Note: The signal value is used to convert the length unit to the speed or velocity setpoint.

r2556	CO: LR position setpoint after setpoint smoothing / s_set after interp		
CU250S_V (Pos ctrl)	Access level: 1	Calculated: -	Data type: Integer32
CU250S_V_CAN (Pos ctrl)	Can be changed: -	Scaling: -	Dyn. index: -
CU250S_V_DP (Pos ctrl)	Units group: -	Unit selection: -	Func. diagram: 4015
CU250S_V_PN (Pos ctrl)	Min	Max	Factory setting
	- [LU]	- [LU]	- [LU]

Description: Display and connector output for the position setpoint after setpoint smoothing.

r2557	CO: LR position controller input system deviation / LR_inp sys dev		
CU250S_V (Pos ctrl)	Access level: 1	Calculated: -	Data type: Integer32
CU250S_V_CAN (Pos ctrl)	Can be changed: -	Scaling: -	Dyn. index: -
CU250S_V_DP (Pos ctrl)	Units group: -	Unit selection: -	Func. diagram: 4015
CU250S_V_PN (Pos ctrl)	Min	Max	Factory setting
	- [LU]	- [LU]	- [LU]

Description: Display and connector output for the difference between the position setpoint and the position actual value at the position controller input.

r2558	CO: LR position controller output P component / LR_outp P comp		
CU250S_V (Pos ctrl)	Access level: 1	Calculated: -	Data type: FloatingPoint32
CU250S_V_CAN (Pos ctrl)	Can be changed: -	Scaling: p2000	Dyn. index: -
CU250S_V_DP (Pos ctrl)	Units group: 3_1	Unit selection: p0505	Func. diagram: 4015
CU250S_V_PN (Pos ctrl)	Min	Max	Factory setting
	- [rpm]	- [rpm]	- [rpm]

Description: Display and connector output for the P component at the output of the position controller (speed setpoint).

r2559	CO: LR position controller output I component / LR_outp I comp		
CU250S_V (Pos ctrl)	Access level: 1	Calculated: -	Data type: FloatingPoint32
CU250S_V_CAN (Pos ctrl)	Can be changed: -	Scaling: p2000	Dyn. index: -
CU250S_V_DP (Pos ctrl)	Units group: 3_1	Unit selection: p0505	Func. diagram: 4015
CU250S_V_PN (Pos ctrl)	Min	Max	Factory setting
	- [rpm]	- [rpm]	- [rpm]

Description: Display and connector output for the I component at the output of the position controller (speed setpoint).

r2560	CO: LR speed setpoint / n_set		
CU250S_V (Pos ctrl)	Access level: 1	Calculated: -	Data type: FloatingPoint32
CU250S_V_CAN (Pos ctrl)	Can be changed: -	Scaling: p2000	Dyn. index: -
CU250S_V_DP (Pos ctrl)	Units group: 3_1	Unit selection: p0505	Func. diagram: 4015
CU250S_V_PN (Pos ctrl)	Min - [rpm]	Max - [rpm]	Factory setting - [rpm]
Description:	Display and connector output for the speed setpoint after limiting (CI: p2541).		
r2561	CO: LR speed pre-control value / n_prectrl val		
CU250S_V (Pos ctrl)	Access level: 1	Calculated: -	Data type: FloatingPoint32
CU250S_V_CAN (Pos ctrl)	Can be changed: -	Scaling: p2000	Dyn. index: -
CU250S_V_DP (Pos ctrl)	Units group: 3_1	Unit selection: p0505	Func. diagram: 4015
CU250S_V_PN (Pos ctrl)	Min - [rpm]	Max - [rpm]	Factory setting - [rpm]
Description:	Display and connector output for the speed setpoint as a result of precontrol.		
r2562	CO: LR total speed setpoint / n_set total		
CU250S_V (Pos ctrl)	Access level: 1	Calculated: -	Data type: FloatingPoint32
CU250S_V_CAN (Pos ctrl)	Can be changed: -	Scaling: p2000	Dyn. index: -
CU250S_V_DP (Pos ctrl)	Units group: 3_1	Unit selection: p0505	Func. diagram: 4015
CU250S_V_PN (Pos ctrl)	Min - [rpm]	Max - [rpm]	Factory setting - [rpm]
Description:	Display and connector output for the total speed setpoint. This value is obtained from the sum of the speed pre-control and position controller output.		
Dependency:	Refer to: r2560, r2561		
r2563	CO: LR following error dynamic model / Follow error dyn		
CU250S_V (Pos ctrl)	Access level: 1	Calculated: -	Data type: Integer32
CU250S_V_CAN (Pos ctrl)	Can be changed: -	Scaling: -	Dyn. index: -
CU250S_V_DP (Pos ctrl)	Units group: -	Unit selection: -	Func. diagram: 4025
CU250S_V_PN (Pos ctrl)	Min - [LU]	Max - [LU]	Factory setting - [LU]
Description:	Display and connector output for the dynamic following error. This value is the deviation, corrected by the velocity-dependent component, between the position setpoint and the position actual value.		
Note:	For p2534 >= 100 % (pre-control activated) the following applies: The dynamic following error (r2563) corresponds to the system deviation (r2557) at the position controller input. For 0 % < p2534 < 100 % (pre-control activated) or p2534 = 0 % (pre-control de-activated) the following applies: The dynamic following error (r2563) is the deviation between the measured position actual value and a value that is calculated from the position setpoint via a PT1 model. This compensates the system-related velocity-dependent system deviation for a P controller.		

2 Parameters


2.2 List of parameters

r2564	CO: LR torque pre-control value / M_prectrl val		
CU250S_V (Pos ctrl)	Access level: 1	Calculated: -	Data type: FloatingPoint32
CU250S_V_CAN (Pos ctrl)	Can be changed: -	Scaling: p2003	Dyn. index: -
CU250S_V_DP (Pos ctrl)	Units group: 7_1	Unit selection: p0505	Func. diagram: 4015
CU250S_V_PN (Pos ctrl)	Min - [Nm]	Max - [Nm]	Factory setting - [Nm]
Description:	Display and connector output for the torque precontrol value.		
Dependency:	Refer to: p1511, p1512		
Note:	The torque pre-control value is the derivation over time of the speed pre-control value and is referred to a moment of inertia of 1 kgm ² /2 PI. When using the pre-control, then this should be evaluated corresponding to the actual moment of inertia.		

r2565	CO: LR following error actual / Following err act		
CU250S_V (Pos ctrl)	Access level: 1	Calculated: -	Data type: Integer32
CU250S_V_CAN (Pos ctrl)	Can be changed: -	Scaling: -	Dyn. index: -
CU250S_V_DP (Pos ctrl)	Units group: -	Unit selection: -	Func. diagram: 4015
CU250S_V_PN (Pos ctrl)	Min - [LU]	Max - [LU]	Factory setting - [LU]
Description:	Display and connector output for the actual following error. This value is the deviation between the position setpoint - after fine interpolation - and the position actual value.		
Notice:	When speed pre-control is active (p2534 > 0 %), the following applies: To calculate this value, the position setpoint is delayed by two position controller clock cycles. When speed pre-control is inactive (p2534 = 0 %), the following applies: To calculate this value, the position setpoint is delayed by two position controller clock cycles.		

r2566	LR speed input pre-control / n inp prectrl		
CU250S_V (Pos ctrl)	Access level: 1	Calculated: -	Data type: FloatingPoint32
CU250S_V_CAN (Pos ctrl)	Can be changed: -	Scaling: p2000	Dyn. index: -
CU250S_V_DP (Pos ctrl)	Units group: 3_1	Unit selection: p0505	Func. diagram: 4015
CU250S_V_PN (Pos ctrl)	Min - [rpm]	Max - [rpm]	Factory setting - [rpm]
Description:	Displays the speed at the input of the pre-control channel.		
Note:	This display parameter is used for diagnostics even when the pre-control is inactive (p2534 = 0%).		

p2567[0...n]	LR torque pre-control moment of inertia / M_prectrl M_inertia		
CU250S_V (Pos ctrl)	Access level: 3	Calculated: -	Data type: FloatingPoint32
CU250S_V_CAN (Pos ctrl)	Can be changed: U, T	Scaling: -	Dyn. index: DDS, p0180
CU250S_V_DP (Pos ctrl)	Units group: 25_1	Unit selection: p0100	Func. diagram: 4015
CU250S_V_PN (Pos ctrl)	Min 0.000000 [kgm ²]	Max 100000.000000 [kgm ²]	Factory setting 0.159155 [kgm ²]
Description:	Sets the moment of inertia for the torque pre-control.		
Dependency:	Refer to: p2534, r2564		
Note:	When calculating the torque pre-control value (r2654), the time derivation of the speed pre-control value is multiplied by 2 PI * p2567. For reasons associated with the compatibility to earlier firmware versions, the factory setting for p2567 = 1 kgm ² /2 PI. This means that CO: r2564 remains as standard the derivation over time of the speed pre-control value and is referred, as before, to a moment of inertia of 1 kgm ² /2 PI. For torque pre-control, the moment of inertia can now be directly entered into p2567 (instead of subsequently evaluating the pre-control value).		

p2568	BI: EPOS STOP cam activation / STOP cam act		
CU250S_V (EPOS)	Access level: 1	Calculated: -	Data type: U32 / Binary
CU250S_V_CAN (EPOS)	Can be changed: T	Scaling: -	Dyn. index: -
CU250S_V_DP (EPOS)	Units group: -	Unit selection: -	Func. diagram: 3630
CU250S_V_PN (EPOS)	Min	Max	Factory setting
	-	-	0
Description:	Sets the signal source to activate the function "STOP cam". BI: p2568 = 1 signal --> The evaluation of the STOP cam minus (BI: p2569) and STOP cam plus (BI: p2570) is active.		
Dependency:	Refer to: p2569, p2570		
Note:	The traversing range can also be limited using software limit switches.		
p2569	BI: EPOS STOP cam minus / STOP cam minus		
CU250S_V (EPOS)	Access level: 1	Calculated: -	Data type: U32 / Binary
CU250S_V_CAN (EPOS)	Can be changed: T	Scaling: -	Dyn. index: -
CU250S_V_DP (EPOS)	Units group: -	Unit selection: -	Func. diagram: 3630
CU250S_V_PN (EPOS)	Min	Max	Factory setting
	-	-	1
Description:	Sets the signal source for the STOP cam in the negative direction of travel.		
Recommend.:	Set the OFF3 ramp-down time (p1135), so that the axis, after reaching the STOP cam at the maximum velocity, does not move through a higher braking travel than is actually available. Sets message 07491 as alarm (A07491): Set the maximum deceleration (p2573), so that the axis, after reaching the STOP cam at the maximum velocity, does not move through a higher braking travel than is actually available.		
Dependency:	Refer to: p1135, p2568, p2570, p2573, r2684		
Caution:	The STOP cams are low active.		
	Sets message 07491 as fault (F07491): For a 0 signal, the axis is stopped with the OFF3 ramp-down time (p1135), status signal r2684.13 is set to 1, saved and the appropriate fault is output. After the fault has been acknowledged, only motion moving away from the STOP cam is permitted. For a 0/1 signal and valid travel direction, when the STOP cam is exited, this is detected and the status signal r2684.13 is set to 0. Sets message 07491 as alarm (A07491): For a 0 signal, the axis is stopped with the maximum deceleration (p2573), status signal r2684.13 is set to 1, saved and the appropriate alarm is output. Only motion away from the STOP cam is permitted. For a 0/1 signal and valid travel direction, when the STOP cam is exited, this is detected and the status signal r2684.13 is set to 0 and the alarm is deleted.		
p2570	BI: EPOS STOP cam plus / STOP cam plus		
CU250S_V (EPOS)	Access level: 1	Calculated: -	Data type: U32 / Binary
CU250S_V_CAN (EPOS)	Can be changed: T	Scaling: -	Dyn. index: -
CU250S_V_DP (EPOS)	Units group: -	Unit selection: -	Func. diagram: 3630
CU250S_V_PN (EPOS)	Min	Max	Factory setting
	-	-	1
Description:	Sets the signal source for the STOP cam in the positive direction of travel.		
Recommend.:	Set the OFF3 ramp-down time (p1135), so that the axis, after reaching the STOP cam at the maximum velocity, does not move through a higher braking travel than is actually available. Sets message 07492 as alarm (A07492): Set the maximum deceleration (p2573), so that the axis, after reaching the STOP cam at the maximum velocity, does not move through a higher braking travel than is actually available.		
Dependency:	Refer to: p1135, p2568, p2569, p2573, r2684		

2 Parameters

2.2 List of parameters

Caution:



The STOP cams are low active.

Sets message 07492 as fault (F07492):

For a 0 signal, the axis is stopped with the OFF3 ramp-down time (p1135), status signal r2684.14 is set to 1, saved and the appropriate fault is output. After the fault has been acknowledged, only motion moving away from the STOP cam is permitted.

For a 0/1 signal and valid travel direction, when the STOP cam is exited, this is detected and the status signal r2684.14 is set to 0.

Sets message 07492 as alarm (A07492):

For a 0 signal, the axis is stopped with the maximum deceleration (p2573), status signal r2684.14 is set to 1, saved and the appropriate alarm is output. Only motion away from the STOP cam is permitted.

For a 0/1 signal and valid travel direction, when the STOP cam is exited, this is detected and the status signal r2684.14 is set to 0 and the alarm is deleted.

p2571

EPOS maximum velocity / v_max

CU250S_V (EPOS)	Access level: 1	Calculated: -	Data type: Unsigned32
CU250S_V_CAN (EPOS)	Can be changed: U, T	Scaling: -	Dyn. index: -
CU250S_V_DP (EPOS)	Units group: -	Unit selection: -	Func. diagram: 3630
CU250S_V_PN (EPOS)	Min 1 [1000 LU/min]	Max 4000000 [1000 LU/min]	Factory setting 30000 [1000 LU/min]

Description:

Sets the maximum velocity for the "basic positioner" function (EPOS).

Dependency:

Refer to: r1084, r1087, p2503, p2504, p2505, p2506

Note:

The maximum velocity is active in all of the operating modes of the basic positioner.

The maximum velocity for the basic positioner should be aligned with the maximum speed/velocity of the speed/velocity controller:

Rotary encoders:

$$p2571[1000 \text{ LU/min}] = \min(|r1084|, |r1087|)[\text{rpm}] \times p2505/p2504 \times p2506/1000$$

Linear encoders:

$$p2571[1000 \text{ LU/min}] = \min(|r1084|, |r1087|)[\text{m/min}] \times p2503/10[\text{m}]$$

p2572

EPOS maximum acceleration / a_max

CU250S_V (EPOS)	Access level: 1	Calculated: -	Data type: Unsigned32
CU250S_V_CAN (EPOS)	Can be changed: T	Scaling: -	Dyn. index: -
CU250S_V_DP (EPOS)	Units group: -	Unit selection: -	Func. diagram: 3630
CU250S_V_PN (EPOS)	Min 1 [1000 LU/s ²]	Max 2000000 [1000 LU/s ²]	Factory setting 100 [1000 LU/s ²]

Description:

Sets the maximum acceleration for the "basic positioner" function (EPOS).

Dependency:

Refer to: p2619, p2644

Note:

The maximum acceleration appears to exhibit jumps (without jerk).

"Traversing blocks" operating mode:

The programmed acceleration override (p2619) acts on the maximum acceleration.

"Direct setpoint input/MDI" mode:

The acceleration override is effective (p2644, 4000 hex = 100 %).

"Jog" and "search for reference" modes

No acceleration override is active. The axis starts with the maximum acceleration.

p2573	EPOS maximum deceleration / -a_max		
CU250S_V (EPOS)	Access level: 1	Calculated: -	Data type: Unsigned32
CU250S_V_CAN (EPOS)	Can be changed: T	Scaling: -	Dyn. index: -
CU250S_V_DP (EPOS)	Units group: -	Unit selection: -	Func. diagram: 3630
CU250S_V_PN (EPOS)	Min 1 [1000 LU/s ²]	Max 2000000 [1000 LU/s ²]	Factory setting 100 [1000 LU/s ²]
Description:	Sets the maximum deceleration for the "basic positioner" function (EPOS).		
Dependency:	Refer to: p2620, p2645		
Note:	The maximum deceleration appears to exhibit jumps (without jerk). "Traversing blocks" operating mode: The programmed deceleration override (p2620) acts on the maximum deceleration. "Direct setpoint input/MDI" mode: The deceleration override is effective (p2645, 4000 hex = 100 %). "Jog" and "search for reference" modes No deceleration override is effective. The axis breaks with the maximum deceleration.		

p2574	EPOS jerk limiting / Jerk lim		
CU250S_V (EPOS)	Access level: 1	Calculated: -	Data type: Unsigned32
CU250S_V_CAN (EPOS)	Can be changed: U, T	Scaling: -	Dyn. index: -
CU250S_V_DP (EPOS)	Units group: -	Unit selection: -	Func. diagram: 3635
CU250S_V_PN (EPOS)	Min 1 [1000 LU/s ³]	Max 100000000 [1000 LU/s ³]	Factory setting 10000 [1000 LU/s ³]
Description:	Sets the jerk limiting		
Dependency:	Refer to: p2572, p2573, p2575		
Note:	The jerk limiting is internally converted into a jerk time as follows: Jerk time $T_r = \max(p2572, p2573) / p2574$ The jerk time is internally limited to 1000 ms and is rounded-off to an integer multiple of the sampling time positioning (VECTOR: 8000). The jerk time is valid for the acceleration and deceleration phases also for unequal maximum acceleration (p2572) and maximum deceleration (p2573). For unequal maximum acceleration and maximum deceleration, the motion is not optimal from a time perspective as the jerk limit cannot be used for the lower of the two values. If, in the traversing profile, the acceleration time without jerk limiting is less than the jerk time T_r , then the motion with jerk limiting is not optimum from a time perspective. For traversing motion with a direct transition between acceleration and deceleration (i.e. jerk time is greater than the constant velocity phase), jerk can increase up to twice the parameterized jerk. CONTINUE_FLYING with direction reversal acts internally just like a CONTINUE_WITH_STOP without the "position reached" being set. Without jerk limiting, this behavior can hardly be noticed as, when reversing, the position setpoint is only kept at zero for one interpolator clock cycle. For block change enable CONTINUE_WITH_STOP, jerk limiting results in a longer delay time.		

2 Parameters

2.2 List of parameters

p2575	BI: EPOS jerk limiting activation / Jerk limit act		
CU250S_V (EPOS)	Access level: 1	Calculated: -	Data type: U32 / Binary
CU250S_V_CAN (EPOS)	Can be changed: T	Scaling: -	Dyn. index: -
CU250S_V_DP (EPOS)	Units group: -	Unit selection: -	Func. diagram: 3635
CU250S_V_PN (EPOS)	Min -	Max -	Factory setting 0
Description:	Sets the signal source to activate the jerk limiting. Activating/de-activating: - using BI: p2575 = 1 signal or 0 signal. - using the command JERK in the traversing block (only for BI: p2575 = 0 signal).		
Dependency:	Refer to: p2574		
Note:	A change of the signal state at the binector input is only accepted at zero speed.		

p2576	EPOS modulo correction modulo range / Modulo corr range		
CU250S_V (EPOS)	Access level: 1	Calculated: -	Data type: Unsigned32
CU250S_V_CAN (EPOS)	Can be changed: T	Scaling: -	Dyn. index: -
CU250S_V_DP (EPOS)	Units group: -	Unit selection: -	Func. diagram: 3635
CU250S_V_PN (EPOS)	Min 1 [LU]	Max 2147482647 [LU]	Factory setting 360000 [LU]
Description:	Sets the modulo range for axes with modulo correction.		
Dependency:	Refer to: p2577		

p2577	BI: EPOS modulo correction activation / Modulo corr act		
CU250S_V (EPOS)	Access level: 1	Calculated: -	Data type: U32 / Binary
CU250S_V_CAN (EPOS)	Can be changed: T	Scaling: -	Dyn. index: -
CU250S_V_DP (EPOS)	Units group: -	Unit selection: -	Func. diagram: 3630, 3635
CU250S_V_PN (EPOS)	Min -	Max -	Factory setting 0
Description:	Sets the signal source to activate modulo correction.		
Dependency:	Refer to: p2576		
Note:	When the signal state changes at the binector input, this only becomes effective in the "ready for switching on" state. Selecting modulo correction: The actual position setpoint in the modulo range is corrected. The position actual value differs from the position setpoint by the following error and can also leave the modulo range. De-selecting modulo correction: It is based on the actual position actual value.		

p2578	CI: EPOS software limit switch minus signal source / SW limSw Min S_src		
CU250S_V (EPOS)	Access level: 1	Calculated: -	Data type: U32 / Integer32
CU250S_V_CAN (EPOS)	Can be changed: T	Scaling: -	Dyn. index: -
CU250S_V_DP (EPOS)	Units group: -	Unit selection: -	Func. diagram: 3630
CU250S_V_PN (EPOS)	Min -	Max -	Factory setting 2580[0]
Description:	Sets the signal source for the software limit switch minus.		
Dependency:	Refer to: p2579, p2580, p2581, p2582		
Notice:	A change to the software limit switch becomes immediately effective. If the software limit switch is changed, then this results in the positions in the traversing blocks being checked.		

Note: The following applies for the setting of the software limit switch:
Software limit switch minus < software limit switch plus

p2579	CI: EPOS software limit switch plus signal source / SW limSwPlus S_src		
CU250S_V (EPOS)	Access level: 1	Calculated: -	Data type: U32 / Integer32
CU250S_V_CAN (EPOS)	Can be changed: T	Scaling: -	Dyn. index: -
CU250S_V_DP (EPOS)	Units group: -	Unit selection: -	Func. diagram: 3630
CU250S_V_PN (EPOS)	Min	Max	Factory setting
	-	-	2581[0]

Description: Sets the signal source for the software limit switch plus.
Dependency: Refer to: p2578, p2580, p2581, p2582
Notice: A change to the software limit switch becomes immediately effective.
 If the software limit switch is changed, then this results in the positions in the traversing blocks being checked.

Note: The following applies for the setting of the software limit switch:
Software limit switch minus < software limit switch plus

p2580	CO: EPOS software limit switch minus / SW limSwitch minus		
CU250S_V (EPOS)	Access level: 1	Calculated: -	Data type: Integer32
CU250S_V_CAN (EPOS)	Can be changed: U, T	Scaling: -	Dyn. index: -
CU250S_V_DP (EPOS)	Units group: -	Unit selection: -	Func. diagram: 3630
CU250S_V_PN (EPOS)	Min	Max	Factory setting
	-2147482648 [LU]	2147482647 [LU]	-2147482648 [LU]

Description: Sets the software limit switch in the negative direction of travel.
Dependency: Refer to: p2578, p2579, p2581, p2582

p2581	CO: EPOS software limit switch plus / SW lim switch plus		
CU250S_V (EPOS)	Access level: 1	Calculated: -	Data type: Integer32
CU250S_V_CAN (EPOS)	Can be changed: U, T	Scaling: -	Dyn. index: -
CU250S_V_DP (EPOS)	Units group: -	Unit selection: -	Func. diagram: 3630
CU250S_V_PN (EPOS)	Min	Max	Factory setting
	-2147482648 [LU]	2147482647 [LU]	2147482647 [LU]

Description: Sets the software limit switch in the positive direction of travel.
Dependency: Refer to: p2578, p2579, p2580, p2582

p2582	BI: EPOS software limit switch activation / SW lim sw act		
CU250S_V (EPOS)	Access level: 1	Calculated: -	Data type: U32 / Binary
CU250S_V_CAN (EPOS)	Can be changed: T	Scaling: -	Dyn. index: -
CU250S_V_DP (EPOS)	Units group: -	Unit selection: -	Func. diagram: 3630
CU250S_V_PN (EPOS)	Min	Max	Factory setting
	-	-	0

Description: Sets the signal source to activate the "software limit switch".
Dependency: Refer to: p2578, p2579, p2580, p2581
Caution: Software limit switch effective:
 - axis is referenced (r2684.11 = 1) and BI: p2582 = 1 signal.
 Software limit switch ineffective:
 - modulo correction active (BI: p2577 = 1 signal).
 - search for reference is executed.

2 Parameters

2.2 List of parameters

Notice: Target position for relative positioning outside software limit switch:
The traversing block is started and the axis comes to a standstill at the software limit switch. An appropriate alarm is output and the traversing block is interrupted. Traversing blocks with valid position can be activated.
Target position for absolute positioning outside software limit switch:
In the "traversing blocks" mode, the traversing block is not started and an appropriate fault is output.
Axis outside the valid traversing range:
If the axis is already outside the valid traversing range, then an appropriate fault is output. The fault can be acknowledged at standstill. Traversing blocks with valid position can be activated.

Note: The traversing range can also be limited using STOP cams.

p2583	EPOS backlash compensation / Backlash comp		
CU250S_V (EPOS)	Access level: 1	Calculated: -	Data type: Integer32
CU250S_V_CAN (EPOS)	Can be changed: U, T	Scaling: -	Dyn. index: -
CU250S_V_DP (EPOS)	Units group: -	Unit selection: -	Func. diagram: 3635
CU250S_V_PN (EPOS)	Min -200000 [LU]	Max 200000 [LU]	Factory setting 0 [LU]

Description: Sets the amount of play (backlash) for positive or negative play.
0: The backlash compensation is de-activated.
> 0: Positive backlash (normal case)
When the direction is reversed, the encoder actual value leads the actual value.
< 0: Negative backlash
When the direction is reversed, the actual value leads the encoder actual value.

Dependency: If a stationary axis is referenced by setting the reference point, or an adjusted with absolute encoder is powered up, then the setting of p2604 is relevant for entering the compensation value.
p2604 = 1:
Traveling in the positive direction -> A compensation value is immediately entered.
Traveling in the negative direction -> A compensation value is not entered
p2604 = 0:
Traveling in the positive direction -> A compensation value is not entered
Traveling in the negative direction -> A compensation value is immediately entered.
When again setting the reference point (a referenced axis) or for "flying referencing", p2604 is not relevant but instead the history of the axis.
Refer to: p2604, r2667

p2585	EPOS jog 1 setpoint velocity / Jog 1 v_set		
CU250S_V (EPOS)	Access level: 1	Calculated: -	Data type: Integer32
CU250S_V_CAN (EPOS)	Can be changed: U, T	Scaling: -	Dyn. index: -
CU250S_V_DP (EPOS)	Units group: -	Unit selection: -	Func. diagram: 3610
CU250S_V_PN (EPOS)	Min -40000000 [1000 LU/min]	Max 40000000 [1000 LU/min]	Factory setting -300 [1000 LU/min]

Description: Sets the setpoint velocity for jog 1.
Dependency: Refer to: p2587, p2589, p2591

p2586	EPOS jog 2 setpoint velocity / Jog 2 v_set		
CU250S_V (EPOS)	Access level: 1	Calculated: -	Data type: Integer32
CU250S_V_CAN (EPOS)	Can be changed: U, T	Scaling: -	Dyn. index: -
CU250S_V_DP (EPOS)	Units group: -	Unit selection: -	Func. diagram: 3610
CU250S_V_PN (EPOS)	Min -40000000 [1000 LU/min]	Max 40000000 [1000 LU/min]	Factory setting 300 [1000 LU/min]

Description: Sets the setpoint velocity for jog 2.
Dependency: Refer to: p2588, p2590, p2591

p2587	EPOS jog 1 traversing distance / Jog 1 distance		
CU250S_V (EPOS)	Access level: 1	Calculated: -	Data type: Unsigned32
CU250S_V_CAN (EPOS)	Can be changed: U, T	Scaling: -	Dyn. index: -
CU250S_V_DP (EPOS)	Units group: -	Unit selection: -	Func. diagram: 3610
CU250S_V_PN (EPOS)	Min 0 [LU]	Max 2147482647 [LU]	Factory setting 1000 [LU]
Description:	Sets the traversing distance for incremental jog 1.		
Dependency:	Refer to: p2585, p2589, p2591		
Note:	Incremental jog 1 is started with BI: p2591 = 1 signal and BI: p2589 = 0/1 signal. With BI: p2589 = 0 signal, incremental jog is interrupted.		
p2588	EPOS jog 2 traversing distance / Jog 2 distance		
CU250S_V (EPOS)	Access level: 1	Calculated: -	Data type: Unsigned32
CU250S_V_CAN (EPOS)	Can be changed: U, T	Scaling: -	Dyn. index: -
CU250S_V_DP (EPOS)	Units group: -	Unit selection: -	Func. diagram: 3610
CU250S_V_PN (EPOS)	Min 0 [LU]	Max 2147482647 [LU]	Factory setting 1000 [LU]
Description:	Sets the traversing distance for incremental jog 2.		
Dependency:	Refer to: p2586, p2590, p2591		
Note:	Incremental jog 2 is started with BI: p2591 = 1 signal and BI: p2590 = 0/1 signal. With BI: p2590 = 0 signal, incremental jogging is interrupted.		
p2589	BI: EPOS jog 1 signal source / Jog 1 S_src		
	Access level: 1	Calculated: -	Data type: U32 / Binary
	Can be changed: T	Scaling: -	Dyn. index: -
	Units group: -	Unit selection: -	Func. diagram: 3610, 3625
	Min -	Max -	Factory setting 0
Description:	Sets the signal source for jog 1.		
Dependency:	When jogging, the axis is accelerated or braked with the maximum acceleration/deceleration (p2572/p2573). BI: p2591 = 0 signal The axis endlessly moves with the setpoint velocity, jog 1 (p2585). BI: p2591 = 1 signal The axis traverses through a parameterized distance (p2585) with the setpoint velocity, jog 1 (p2587). Refer to: p2572, p2573, p2585, p2587, p2591		
Notice:	The parameter may be protected as a result of p0922 or p2079 and cannot be changed.		
p2589	BI: EPOS jog 1 signal source / Jog 1 S_src		
CU250S_V (EPOS)	Access level: 1	Calculated: -	Data type: U32 / Binary
CU250S_V_CAN (EPOS)	Can be changed: T	Scaling: -	Dyn. index: -
CU250S_V_DP (EPOS)	Units group: -	Unit selection: -	Func. diagram: 3610, 3625
CU250S_V_PN (EPOS)	Min -	Max -	Factory setting 722.3
Description:	Sets the signal source for jog 1.		
Dependency:	When jogging, the axis is accelerated or braked with the maximum acceleration/deceleration (p2572/p2573). BI: p2591 = 0 signal The axis endlessly moves with the setpoint velocity, jog 1 (p2585). BI: p2591 = 1 signal The axis traverses through a parameterized distance (p2585) with the setpoint velocity, jog 1 (p2587).		

2 Parameters

2.2 List of parameters

Refer to: p2572, p2573, p2585, p2587, p2591

Notice: The parameter may be protected as a result of p0922 or p2079 and cannot be changed.

p2590	BI: EPOS jog 2 signal source / Jog 2 S_src		
	Access level: 1	Calculated: -	Data type: U32 / Binary
	Can be changed: T	Scaling: -	Dyn. index: -
	Units group: -	Unit selection: -	Func. diagram: 3610, 3625
	Min	Max	Factory setting
	-	-	0

Description: Sets the signal source for jog 2.

Dependency: When jogging, the axis is accelerated or braked with the maximum acceleration/deceleration (p2572/p2573).

BI: p2591 = 0 signal

The axis endlessly moves with the setpoint velocity, jog 2 (p2586).

BI: p2591 = 1 signal

The axis traverses through a parameterized distance (p2586) with the setpoint velocity, jog 2 (p2588).

Refer to: p2572, p2573, p2586, p2588, p2591

Notice: The parameter may be protected as a result of p0922 or p2079 and cannot be changed.

p2590	BI: EPOS jog 2 signal source / Jog 2 S_src		
CU250S_V (EPOS)	Access level: 1	Calculated: -	Data type: U32 / Binary
CU250S_V_CAN (EPOS)	Can be changed: T	Scaling: -	Dyn. index: -
CU250S_V_DP (EPOS)	Units group: -	Unit selection: -	Func. diagram: 3610, 3625
CU250S_V_PN (EPOS)	Min	Max	Factory setting
	-	-	722.4

Description: Sets the signal source for jog 2.

Dependency: When jogging, the axis is accelerated or braked with the maximum acceleration/deceleration (p2572/p2573).

BI: p2591 = 0 signal

The axis endlessly moves with the setpoint velocity, jog 2 (p2586).

BI: p2591 = 1 signal

The axis traverses through a parameterized distance (p2586) with the setpoint velocity, jog 2 (p2588).

Refer to: p2572, p2573, p2586, p2588, p2591

Notice: The parameter may be protected as a result of p0922 or p2079 and cannot be changed.

p2591	BI: EPOS jogging incremental / Jog incr		
	Access level: 1	Calculated: -	Data type: U32 / Binary
	Can be changed: T	Scaling: -	Dyn. index: -
	Units group: -	Unit selection: -	Func. diagram: 3610
	Min	Max	Factory setting
	-	-	0

Description: Sets the signal source for jogging incremental.


Dependency: Refer to: p2585, p2586, p2587, p2588, p2589, p2590

p2591	BI: EPOS jogging incremental / Jog incr		
CU250S_V (EPOS)	Access level: 1	Calculated: -	Data type: U32 / Binary
CU250S_V_CAN (EPOS)	Can be changed: T	Scaling: -	Dyn. index: -
CU250S_V_DP (EPOS)	Units group: -	Unit selection: -	Func. diagram: 3610
CU250S_V_PN (EPOS)	Min	Max	Factory setting
	-	-	722.5

Description: Sets the signal source for jogging incremental.

Dependency: Refer to: p2585, p2586, p2587, p2588, p2589, p2590

p2593		CI: EPOS LU/revolution LU/mm / LU/rev LU/mm	
CU250S_V (EPOS)	Access level: 3	Calculated: -	Data type: U32 / FloatingPoint32
CU250S_V_CAN (EPOS)	Can be changed: T	Scaling: -	Dyn. index: -
CU250S_V_DP (EPOS)	Units group: -	Unit selection: -	Func. diagram: 3630
CU250S_V_PN (EPOS)	Min	Max	Factory setting
	-	-	2524[0]
Description:	Sets the signal source for the reference of the internal length units LU to motor revolution for rotary encoders and to mm for linear encoders.		
Dependency:	Refer to: p0404, r2524, p2594		
Note:	The signal value is used to convert the length unit to the speed or velocity setpoint.		

p2594[0...2]		CI: EPOS Maximum velocity externally limited / v_Max ext lim	
CU250S_V (EPOS)	Access level: 3	Calculated: -	Data type: U32 / FloatingPoint32
CU250S_V_CAN (EPOS)	Can be changed: T	Scaling: p2000	Dyn. index: -
CU250S_V_DP (EPOS)	Units group: -	Unit selection: -	Func. diagram: 3630
CU250S_V_PN (EPOS)	Min	Max	Factory setting
	-	-	0
Description:	Sets the signal source for the externally limited maximum velocity.		
Index:	[0] = Setpoint limit absolute [1] = Setpoint limiting positive [2] = Setpoint limiting negative		
Dependency:	Refer to: r2524, p2571, p2593		
Warning:	In order that the externally limited velocity can be effective for the EPOS operating modes, connector input p2593 must be correctly interconnected.		
			

p2595		BI: EPOS referencing start / Ref start	
CU250S_V (EPOS)	Access level: 1	Calculated: -	Data type: U32 / Binary
CU250S_V_CAN (EPOS)	Can be changed: T	Scaling: -	Dyn. index: -
CU250S_V_DP (EPOS)	Units group: -	Unit selection: -	Func. diagram: 3612, 3625, 3614
CU250S_V_PN (EPOS)	Min	Max	Factory setting
	-	-	0
Description:	Sets the signal source to start the "search for reference" or "flying referencing". BI: p2595 = 0/1 signal Referencing is started. BI: p2595 = 1/0 signal Referencing is interrupted.		
Dependency:	Refer to: p2597, p2598, p2599, r2684		
Notice:	The parameter may be protected as a result of p0922 or p2079 and cannot be changed.		
Note:	Search for reference (BI: p2597 = 0 signal): The reference point approach can only be activated (0/1 edge) after traversing motion that is being processed has been completed. With the start, where relevant, the state signal "reference point set" (r2684.11) is reset. Flying referencing (BI: p2597 = 1 signal): With the start, the state signal "reference point set" (r2684.11) is not reset.		

2 Parameters

2.2 List of parameters

p2596

BI: EPOS set reference point / Set ref_pt

CU250S_V (EPOS)	Access level: 1	Calculated: -	Data type: U32 / Binary
CU250S_V_CAN (EPOS)	Can be changed: T	Scaling: -	Dyn. index: -
CU250S_V_DP (EPOS)	Units group: -	Unit selection: -	Func. diagram: 3612
CU250S_V_PN (EPOS)	Min	Max	Factory setting
	-	-	0

Description: Sets the signal source for the "set reference point".

Dependency: Refer to: p2598, p2599, r2684

Notice: The parameter may be protected as a result of p0922 or p2079 and cannot be changed.

Note: Reference point setting is effective in the following operating states:

- in the basic state.
- for FIXED STOP with progress condition END (corresponds to the initial state).
- for traversing block interrupted via BI: p2640 = 0 signal (intermediate stop).
- for EPOS not enabled (BI: p2656 = 0 signal) and position actual value valid (BI: p2658 = 1 signal).

p2597

BI: EPOS referencing type selection / Ref_typ select

CU250S_V (EPOS)	Access level: 1	Calculated: -	Data type: U32 / Binary
CU250S_V_CAN (EPOS)	Can be changed: T	Scaling: -	Dyn. index: -
CU250S_V_DP (EPOS)	Units group: -	Unit selection: -	Func. diagram: 3612, 3614, 3625
CU250S_V_PN (EPOS)	Min	Max	Factory setting
	-	-	0

Description: Sets the signal source to select referencing type.

1 signal: Flying referencing

0 signal: Search for reference

Dependency: Refer to: p2595

Note: Referencing is activated as follows:

- Select the referencing type (BI: p2597)
- Start referencing (BI: p2595 = 0/1 signal)

p2598[0...3]	CI: EPOS reference point coordinate signal source / Ref_pt coord S_src		
CU250S_V (Pos ctrl)	Access level: 1	Calculated: -	Data type: U32 / Integer32
CU250S_V (Pos ctrl EPOS)	Can be changed: T	Scaling: -	Dyn. index: -
CU250S_V (EPOS)	Units group: -	Unit selection: -	Func. diagram: 3612, 3614
CU250S_V_CAN (Pos ctrl)	Min	Max	Factory setting
CU250S_V_CAN (Pos ctrl EPOS)	-	-	[0] 2599[0]
CU250S_V_CAN (EPOS)			[1] 0
CU250S_V_DP (Pos ctrl)			[2] 0
CU250S_V_DP (Pos ctrl EPOS)			[3] 0
CU250S_V_DP (EPOS)			
CU250S_V_PN (Pos ctrl)			
CU250S_V_PN (Pos ctrl EPOS)			
CU250S_V_PN (EPOS)			

Description: Sets the signal source for the reference point coordinate.
This value is used as reference for the following referencing operations:

- search for reference
- set reference point
- flying referencing
- absolute value adjustment

Index: [0] = CI-loop pos ctrl
[1] = Encoder 1
[2] = Encoder 2
[3] = Reserved

Dependency: Refer to: p2502, p2507, p2595, p2596, p2597, p2599

Note: Incremental measuring system:
After the reference point is reached, the drive accepts the actual axis position from the position received via the connector input p2598[0].
Absolute encoder:
When adjusting the encoder, the position received via the connector input is set as the actual axis position. The position offset to the actual encoder value is displayed in p2525.

p2599	CO: EPOS reference point coordinate value / Ref_pt coord val		
CU250S_V (Pos ctrl)	Access level: 1	Calculated: -	Data type: Integer32
CU250S_V_CAN (Pos ctrl)	Can be changed: U, T	Scaling: -	Dyn. index: -
CU250S_V_DP (Pos ctrl)	Units group: -	Unit selection: -	Func. diagram: 3612
CU250S_V_PN (Pos ctrl)	Min	Max	Factory setting
CU250S_V_PN (Pos ctrl)	-2147482648 [LU]	2147482647 [LU]	0 [LU]

Description: Sets the position value for the reference point coordinate.
This value is set as the actual axis position after referencing or adjustment.

Dependency: Refer to: p2507, p2525, p2595, p2596, p2597, p2598

2 Parameters

2.2 List of parameters

p2600	EPOS search for reference reference point offset / Ref_pt offset		
CU250S_V (EPOS)	Access level: 1	Calculated: -	Data type: Integer32
CU250S_V_CAN (EPOS)	Can be changed: U, T	Scaling: -	Dyn. index: -
CU250S_V_DP (EPOS)	Units group: -	Unit selection: -	Func. diagram: 3612
CU250S_V_PN (EPOS)	Min -2147482648 [LU]	Max 2147482647 [LU]	Factory setting 0 [LU]
Description:	Sets the reference point offset for search for reference.		
Dependency:	Refer to: p2598		


p2601	EPOS flying referencing inner window / Inner window		
CU250S_V (EPOS)	Access level: 1	Calculated: -	Data type: Integer32
CU250S_V_CAN (EPOS)	Can be changed: U, T	Scaling: -	Dyn. index: -
CU250S_V_DP (EPOS)	Units group: -	Unit selection: -	Func. diagram: 3614
CU250S_V_PN (EPOS)	Min 0 [LU]	Max 2147482647 [LU]	Factory setting 0 [LU]
Description:	Sets the inner window for flying referencing. Value = 0: The evaluation of the inner window is de-activated.		
Dependency:	Refer to: p2597, p2602, r2684		
Notice:	The inner window must be set so that it is smaller than the outer window.		
Note:	If the difference between the reference point coordinate and detected actual position is less than the inner window, then no correction is executed for a referenced axis. If the difference between the reference point coordinate and detected actual position is greater than the inner window and less than the outer window (p2602), then a correction is executed for a referenced axis.		

p2602	EPOS flying referencing outer window / Outer window		
CU250S_V (EPOS)	Access level: 1	Calculated: -	Data type: Integer32
CU250S_V_CAN (EPOS)	Can be changed: U, T	Scaling: -	Dyn. index: -
CU250S_V_DP (EPOS)	Units group: -	Unit selection: -	Func. diagram: 3614
CU250S_V_PN (EPOS)	Min 0 [LU]	Max 2147482647 [LU]	Factory setting 0 [LU]
Description:	Sets the outer window for flying referencing. Value = 0: The evaluation of the outer window is de-activated.		
Dependency:	Refer to: p2597, r2684		
Notice:	The inner window must be set so that it is smaller than the outer window.		
Note:	If the difference between the reference point coordinate and detected actual position is greater than the outer window, then no correction is executed for the referenced axis. Further, an appropriate message is output and r2684.3 is set to 1.		

p2603	EPOS flying referencing, positioning mode relative / Pos_mode relative		
CU250S_V (EPOS)	Access level: 1	Calculated: -	Data type: Integer32
CU250S_V_CAN (EPOS)	Can be changed: U, T	Scaling: -	Dyn. index: -
CU250S_V_DP (EPOS)	Units group: -	Unit selection: -	Func. diagram: 3635
CU250S_V_PN (EPOS)	Min 0	Max 1	Factory setting 1
Description:	Sets the relative positioning mode for flying referencing. Value = 1: The corrected setpoint is not calculated into the traversing distance. Value = 0: The corrected setpoint is calculated into the traversing distance.		
Dependency:	Refer to: p2597, p2623, p2648		
Notice:	For p2603 = 0 the direction can change.		
p2604	BI: EPOS search for reference start direction / Srch for ref dir		
CU250S_V (EPOS)	Access level: 1	Calculated: -	Data type: U32 / Binary
CU250S_V_CAN (EPOS)	Can be changed: T	Scaling: -	Dyn. index: -
CU250S_V_DP (EPOS)	Units group: -	Unit selection: -	Func. diagram: 3612
CU250S_V_PN (EPOS)	Min -	Max -	Factory setting 0
Description:	Sets the signal sources for the start direction of the search for reference. 1 signal: Start in the negative direction. 0 signal: Start in the positive direction.		
Dependency:	Refer to: p2583, p2595, p2597		
p2605	EPOS search for reference approach velocity reference cam / v_appr ref_cam		
CU250S_V (EPOS)	Access level: 1	Calculated: -	Data type: Unsigned32
CU250S_V_CAN (EPOS)	Can be changed: U, T	Scaling: -	Dyn. index: -
CU250S_V_DP (EPOS)	Units group: -	Unit selection: -	Func. diagram: 3612
CU250S_V_PN (EPOS)	Min 1 [1000 LU/min]	Max 4000000 [1000 LU/min]	Factory setting 5000 [1000 LU/min]
Description:	Sets the approach velocity to the reference cam for the search for reference.		
Dependency:	The search for reference only starts with the approach velocity to the reference cam when there is a reference cam (p2607 = 1). Refer to: p2595, p2597, p2604, p2606, p2607		
Note:	When traversing to the reference cam, the velocity override is effective. If, at the start of the search for reference, the axis is already at the reference cam, then the axis immediately starts to traverse to the zero mark.		
p2606	EPOS search for reference reference cam maximum distance / Ref_cam max s		
CU250S_V (EPOS)	Access level: 1	Calculated: -	Data type: Unsigned32
CU250S_V_CAN (EPOS)	Can be changed: U, T	Scaling: -	Dyn. index: -
CU250S_V_DP (EPOS)	Units group: -	Unit selection: -	Func. diagram: 3612
CU250S_V_PN (EPOS)	Min 0 [LU]	Max 2147482647 [LU]	Factory setting 2147482647 [LU]
Description:	Sets the maximum distance after the start of the search for reference when traversing to the reference cam.		
Dependency:	Refer to: p2595, p2597, p2604, p2605, p2607		
Note:	When using a reversing cam, the maximum distance must be set appropriately long.		

2 Parameters

2.2 List of parameters

p2607	EPOS search for reference reference cam present / Ref_cam pres		
CU250S_V (EPOS)	Access level: 1	Calculated: -	Data type: Unsigned8
CU250S_V_CAN (EPOS)	Can be changed: U, T	Scaling: -	Dyn. index: -
CU250S_V_DP (EPOS)	Units group: -	Unit selection: -	Func. diagram: 3612
CU250S_V_PN (EPOS)	Min 0	Max 1	Factory setting 1
Description:	Sets whether or not a reference cam is present for the search for reference. Value = 1: Reference cam present. Value = 0: No reference cam present.		
Dependency:	Refer to: p2595, p2597, p2604, p2605, p2606		
p2608	EPOS search for reference approach velocity zero mark / v_appr ref_ZM		
CU250S_V (EPOS)	Access level: 1	Calculated: -	Data type: Unsigned32
CU250S_V_CAN (EPOS)	Can be changed: U, T	Scaling: -	Dyn. index: -
CU250S_V_DP (EPOS)	Units group: -	Unit selection: -	Func. diagram: 3612
CU250S_V_PN (EPOS)	Min 1 [1000 LU/min]	Max 40000000 [1000 LU/min]	Factory setting 300 [1000 LU/min]
Description:	Sets the approach velocity after detecting the reference cam to search for the zero mark for the search for reference.		
Dependency:	If there is no reference cam (p2607 = 0), the search for reference immediately starts with the axis traversing to the zero mark. Refer to: p2595, p2597, p2604, p2607, p2609, p2610		
Caution:	If the reference cam is not adjusted so that at each search for reference the same zero mark for synchronization is detected, then an "incorrect" axis reference point is obtained. After the reference cam has been left, the search for the zero mark is activated with a time delay due to internal factors. This is the reason that the reference cam should be adjusted in this center between two zero marks and the approach velocity should be adapted to the distance between two zero marks.		
			
Note:	The velocity override is not effective when traversing to the zero mark.		
p2609	EPOS search for reference max distance ref cam and zero mark / Max s ref_cam ZM		
CU250S_V (EPOS)	Access level: 1	Calculated: -	Data type: Unsigned32
CU250S_V_CAN (EPOS)	Can be changed: U, T	Scaling: -	Dyn. index: -
CU250S_V_DP (EPOS)	Units group: -	Unit selection: -	Func. diagram: 3612
CU250S_V_PN (EPOS)	Min 0 [LU]	Max 2147482647 [LU]	Factory setting 20000 [LU]
Description:	Sets the maximum distance after leaving the reference cam when traversing to the zero mark.		
Dependency:	Refer to: p2595, p2597, p2604, p2607, p2608, p2610		
p2610	EPOS search for ref. tol. bandwidth for distance to zero mark / Tol_band to ZM		
CU250S_V (EPOS)	Access level: 1	Calculated: -	Data type: Unsigned32
CU250S_V_CAN (EPOS)	Can be changed: U, T	Scaling: -	Dyn. index: -
CU250S_V_DP (EPOS)	Units group: -	Unit selection: -	Func. diagram: 3612
CU250S_V_PN (EPOS)	Min 0 [LU]	Max 2147482647 [LU]	Factory setting 2147482647 [LU]
Description:	Sets the tolerance bandwidth for the distance to the zero mark The zero mark is evaluated within the maximum distance between the reference cam and zero mark (p2609) minus the tolerance bandwidth for the distance to the zero mark (p2610).		
Dependency:	Refer to: p2609		

p2611	EPOS search for reference approach velocity reference point / v_appr ref_pt		
CU250S_V (EPOS)	Access level: 1	Calculated: -	Data type: Unsigned32
CU250S_V_CAN (EPOS)	Can be changed: U, T	Scaling: -	Dyn. index: -
CU250S_V_DP (EPOS)	Units group: -	Unit selection: -	Func. diagram: 3612
CU250S_V_PN (EPOS)	Min 1 [1000 LU/min]	Max 40000000 [1000 LU/min]	Factory setting 300 [1000 LU/min]
Description:	Sets the approach velocity after detecting the zero mark to approach the reference point.		
Dependency:	Refer to: p2595, p2597, p2604, p2607, p2609, p2610		
Note:	When traversing to the reference point, the velocity override is not effective.		
p2612	BI: EPOS search for reference reference cam / Ref_cam		
CU250S_V (EPOS)	Access level: 1	Calculated: -	Data type: U32 / Binary
CU250S_V_CAN (EPOS)	Can be changed: T	Scaling: -	Dyn. index: -
CU250S_V_DP (EPOS)	Units group: -	Unit selection: -	Func. diagram: 3612
CU250S_V_PN (EPOS)	Min -	Max -	Factory setting 0
Description:	Sets the signal source for the reference cam.		
Dependency:	Refer to: p2607		
Notice:	The parameter may be protected as a result of p0922 or p2079 and cannot be changed.		
p2613	BI: EPOS search for reference reversing cam minus / Rev minus		
CU250S_V (EPOS)	Access level: 1	Calculated: -	Data type: U32 / Binary
CU250S_V_CAN (EPOS)	Can be changed: T	Scaling: -	Dyn. index: -
CU250S_V_DP (EPOS)	Units group: -	Unit selection: -	Func. diagram: 3612
CU250S_V_PN (EPOS)	Min -	Max -	Factory setting 1
Description:	Sets the signal source for the reversing cam in the negative direction of travel. 1 signal: Reversing cam not reached. 0 signal: Reversing cam reached.		
Dependency:	Refer to: p2614		
Note:	If, during the search for reference from the reversing cam minus and plus, a 0 signal is detected, then the axis remains stationary (at standstill).		
p2614	BI: EPOS search for reference reversing cam plus / Rev plus		
CU250S_V (EPOS)	Access level: 1	Calculated: -	Data type: U32 / Binary
CU250S_V_CAN (EPOS)	Can be changed: T	Scaling: -	Dyn. index: -
CU250S_V_DP (EPOS)	Units group: -	Unit selection: -	Func. diagram: 3612
CU250S_V_PN (EPOS)	Min -	Max -	Factory setting 1
Description:	Sets the signal source for the reversing cam in the negative direction of travel. 1 signal: Reversing cam not reached. 0 signal: Reversing cam reached.		
Dependency:	Refer to: p2613		
Note:	If, during the search for reference from the reversing cam minus and plus, a 0 signal is detected, then the axis remains stationary (at standstill).		

2 Parameters

2.2 List of parameters

p2615	EPOS maximum number of traversing blocks / Trav_block qty max		
CU250S_V (EPOS)	Access level: 1	Calculated: -	Data type: Unsigned8
CU250S_V_CAN (EPOS)	Can be changed: C(17)	Scaling: -	Dyn. index: -
CU250S_V_DP (EPOS)	Units group: -	Unit selection: -	Func. diagram: 3616
CU250S_V_PN (EPOS)	Min 1	Max 16	Factory setting 16
Description:	Sets the maximum number of traversing blocks that are available.		
Dependency:	Refer to: p2616, p2617, p2618, p2619, p2620, p2621, p2622, p2623, p2624		

p2616[0...n]	EPOS traversing block block number / Trav_blk, blkNo.		
CU250S_V (EPOS)	Access level: 1	Calculated: -	Data type: Integer16
CU250S_V_CAN (EPOS)	Can be changed: U, T	Scaling: -	Dyn. index: p2615
CU250S_V_DP (EPOS)	Units group: -	Unit selection: -	Func. diagram: 3616
CU250S_V_PN (EPOS)	Min -1	Max 15	Factory setting -1
Description:	Sets a block number. -1: Invalid block number. These blocks are not taken into account. 0 ... 15: Valid block number.		
Dependency:	The number of indices depends on p2615. Refer to: p2615, p2617, p2618, p2619, p2620, p2621, p2622, p2623, p2624		

p2617[0...n]	EPOS traversing block position / Trav_block pos		
CU250S_V (EPOS)	Access level: 1	Calculated: -	Data type: Integer32
CU250S_V_CAN (EPOS)	Can be changed: U, T	Scaling: -	Dyn. index: p2615
CU250S_V_DP (EPOS)	Units group: -	Unit selection: -	Func. diagram: 3616
CU250S_V_PN (EPOS)	Min -2147482648 [LU]	Max 2147482647 [LU]	Factory setting 0 [LU]
Description:	Sets the target position for the traversing block.		
Dependency:	The number of indices depends on p2615. Refer to: p2615, p2616, p2618, p2619, p2620, p2621, p2622, p2623, p2624		
Note:	The target position is approached in either relative or absolute terms depending on p2623.		

p2618[0...n]	EPOS traversing block velocity / Trav_block v		
CU250S_V (EPOS)	Access level: 1	Calculated: -	Data type: Integer32
CU250S_V_CAN (EPOS)	Can be changed: U, T	Scaling: -	Dyn. index: p2615
CU250S_V_DP (EPOS)	Units group: -	Unit selection: -	Func. diagram: 3616
CU250S_V_PN (EPOS)	Min 1 [1000 LU/min]	Max 40000000 [1000 LU/min]	Factory setting 600 [1000 LU/min]
Description:	Sets the velocity for the traversing block.		
Dependency:	The number of indices depends on p2615. Refer to: p2615, p2616, p2617, p2619, p2620, p2621, p2622, p2623, p2624, p2646		
Note:	The velocity can be influenced using the velocity override (p2646).		

p2619[0...n]		EPOS traversing block acceleration override / Trav_block a_over		
CU250S_V (EPOS)	Access level: 1	Calculated: -	Data type: FloatingPoint32	
CU250S_V_CAN (EPOS)	Can be changed: U, T	Scaling: -	Dyn. index: p2615	
CU250S_V_DP (EPOS)	Units group: -	Unit selection: -	Func. diagram: 3616	
CU250S_V_PN (EPOS)	Min 1.0 [%]	Max 100.0 [%]	Factory setting 100.0 [%]	
Description:	Sets the acceleration override for the traversing block. The override refers to the maximum acceleration (p2572).			
Dependency:	The number of indices depends on p2615. Refer to: p2572, p2615, p2616, p2617, p2618, p2620, p2621, p2622, p2623, p2624			
p2620[0...n]		EPOS traversing deceleration override / Trav_block -a_over		
CU250S_V (EPOS)	Access level: 1	Calculated: -	Data type: FloatingPoint32	
CU250S_V_CAN (EPOS)	Can be changed: U, T	Scaling: -	Dyn. index: p2615	
CU250S_V_DP (EPOS)	Units group: -	Unit selection: -	Func. diagram: 3616	
CU250S_V_PN (EPOS)	Min 1.0 [%]	Max 100.0 [%]	Factory setting 100.0 [%]	
Description:	Sets the deceleration override for the traversing block. The override refers to the maximum deceleration (p2573).			
Dependency:	The number of indices depends on p2615. Refer to: p2573, p2615, p2616, p2617, p2618, p2619, p2621, p2622, p2623, p2624			
Notice:	If, when calculating the traversing profile, it is identified that the target position of the next block with the programmed deceleration override will not be reached without direction reversal (flying block change), then the old (actual) deceleration override remains effective.			
p2621[0...n]		EPOS traversing block task / Trav_block task		
CU250S_V (EPOS)	Access level: 1	Calculated: -	Data type: Integer16	
CU250S_V_CAN (EPOS)	Can be changed: U, T	Scaling: -	Dyn. index: p2615	
CU250S_V_DP (EPOS)	Units group: -	Unit selection: -	Func. diagram: 3616	
CU250S_V_PN (EPOS)	Min 1	Max 9	Factory setting 1	
Description:	Sets the required task for the traversing block.			
Value:	1: POSITIONING 2: FIXED STOP 3: ENDLESS_POS 4: ENDLESS_NEG 5: WAITING 6: GOTO 7: SET_O 8: RESET_O 9: JERK			
Dependency:	The number of indices depends on p2615. Refer to: p2615, p2616, p2617, p2618, p2619, p2620, p2622, p2623, p2624			

2 Parameters

2.2 List of parameters

p2622[0...n]	EPOS traversing block task parameter / Trav_blk task_par		
CU250S_V (EPOS)	Access level: 1	Calculated: -	Data type: Integer32
CU250S_V_CAN (EPOS)	Can be changed: U, T	Scaling: -	Dyn. index: p2615
CU250S_V_DP (EPOS)	Units group: -	Unit selection: -	Func. diagram: 3616
CU250S_V_PN (EPOS)	Min -2147483648	Max 2147483647	Factory setting 0
Description:	Sets additional information/data of the appropriate task for the traversing block.		
Dependency:	The number of indices depends on p2615. Refer to: p2615, p2616, p2617, p2618, p2619, p2620, p2621, p2623, p2624		
Note:	The following should be set depending on the task: FIXED STOP: Clamping torque and clamping force (rotary 0...65536 [0.01 Nm], linear 0...65536 [N]) WAIT: Delay time [ms] GOTO: Block number SET_O: 1, 2 or 3 - set direct output 1, 2 or 3 (both) RESET_O: 1, 2 or 3 - reset direct output 1, 2 or 3 (both) JERK: 0 - de-activate, 1 - activate		

p2623[0...n]	EPOS traversing block task mode / Trav_block mode		
CU250S_V (EPOS)	Access level: 1	Calculated: -	Data type: Unsigned16
CU250S_V_CAN (EPOS)	Can be changed: U, T	Scaling: -	Dyn. index: p2615
CU250S_V_DP (EPOS)	Units group: -	Unit selection: -	Func. diagram: 3515, 3616
CU250S_V_PN (EPOS)	Min 0	Max 65535	Factory setting 0
Description:	Sets the influence of the task for the traversing block. Value = 0000 cccc bbbb aaaa cccc: Positioning mode cccc = 0000 --> ABSOLUTE cccc = 0001 --> RELATIVE cccc = 0010 --> ABS_POS (only for a rotary axis with modulo correction) cccc = 0011 --> ABS_NEG (only for a rotary axis with modulo correction) bbbb: Progression condition bbbb = 0000 --> END bbbb = 0001 --> CONTINUE WITH STOP bbbb = 0010 --> CONTINUE FLYING bbbb = 0011 --> CONTINUE EXTERNAL bbbb = 0100 --> CONTINUE EXTERNAL WAIT bbbb = 0101 --> CONTINUE EXTERNAL ALARM aaaa: IDs aaaa = 000x --> show/hide block (x = 0: show, x = 1: hide)		
Dependency:	The number of indices depends on p2615. Refer to: p2615, p2616, p2617, p2618, p2619, p2620, p2621, p2622, p2624		

p2624	EPOS traversing block sorting / Trav_block sort		
CU250S_V (EPOS)	Access level: 1	Calculated: -	Data type: Unsigned16
CU250S_V_CAN (EPOS)	Can be changed: U, T	Scaling: -	Dyn. index: -
CU250S_V_DP (EPOS)	Units group: -	Unit selection: -	Func. diagram: 3616
CU250S_V_PN (EPOS)	Min 0	Max 1	Factory setting 0
Description:	Sets the traversing blocks for sorting corresponding to their block number. Procedure: Set p2624 = 0 --> 1. Sorting is started and the parameters are automatically reset to zero once the operation has been completed.		
Dependency:	Refer to: p2615, p2616, p2617, p2618, p2619, p2620, p2621, p2622, p2623		
Note:	After sorting, the traversing blocks are written at the beginning of the memory in increasing sequence without any gaps.		
p2625	BI: EPOS traversing block selection bit 0 / Trav_blk sel bit 0		
CU250S_V (EPOS)	Access level: 1	Calculated: -	Data type: U32 / Binary
CU250S_V_CAN (EPOS)	Can be changed: T	Scaling: -	Dyn. index: -
CU250S_V_DP (EPOS)	Units group: -	Unit selection: -	Func. diagram: 3616, 3640
CU250S_V_PN (EPOS)	Min -	Max -	Factory setting 0
Description:	Sets the signal source to select the traversing block, bit 0.		
Dependency:	Binector inputs p2625, p2626, p2627 and p2628 are used to select one of the maximum of 16 traversing blocks. Refer to: p2626, p2627, p2628		
p2626	BI: EPOS traversing block selection bit 1 / Trav_blk sel bit 1		
CU250S_V (EPOS)	Access level: 1	Calculated: -	Data type: U32 / Binary
CU250S_V_CAN (EPOS)	Can be changed: T	Scaling: -	Dyn. index: -
CU250S_V_DP (EPOS)	Units group: -	Unit selection: -	Func. diagram: 3616, 3640
CU250S_V_PN (EPOS)	Min -	Max -	Factory setting 0
Description:	Sets the signal source to select the traversing block, bit 1.		
Dependency:	Binector inputs p2625, p2626, p2627 and p2628 are used to select one of the maximum of 16 traversing blocks. Refer to: p2625, p2627, p2628		
p2627	BI: EPOS traversing block selection bit 2 / Trav_blk sel bit 2		
CU250S_V (EPOS)	Access level: 1	Calculated: -	Data type: U32 / Binary
CU250S_V_CAN (EPOS)	Can be changed: T	Scaling: -	Dyn. index: -
CU250S_V_DP (EPOS)	Units group: -	Unit selection: -	Func. diagram: 3616, 3640
CU250S_V_PN (EPOS)	Min -	Max -	Factory setting 0
Description:	Sets the signal source to select the traversing block, bit 2.		
Dependency:	Binector inputs p2625, p2626, p2627 and p2628 are used to select one of the maximum of 16 traversing blocks. Refer to: p2625, p2626, p2628		

2 Parameters

2.2 List of parameters

p2628	BI: EPOS traversing block selection bit 3 / Trav_blk sel bit 3		
CU250S_V (EPOS)	Access level: 1	Calculated: -	Data type: U32 / Binary
CU250S_V_CAN (EPOS)	Can be changed: T	Scaling: -	Dyn. index: -
CU250S_V_DP (EPOS)	Units group: -	Unit selection: -	Func. diagram: 3616, 3640
CU250S_V_PN (EPOS)	Min	Max	Factory setting
	-	-	0
Description:	Sets the signal source to select the traversing block, bit 3.		
Dependency:	Binector inputs p2625, p2626, p2627 and p2628 are used to select one of the maximum of 16 traversing blocks. Refer to: p2625, p2626, p2627		

p2631	BI: EPOS activate traversing task (0 -> 1) / Trav_task act		
CU250S_V (EPOS)	Access level: 1	Calculated: -	Data type: U32 / Binary
CU250S_V_CAN (EPOS)	Can be changed: T	Scaling: -	Dyn. index: -
CU250S_V_DP (EPOS)	Units group: -	Unit selection: -	Func. diagram: 3616, 3625
CU250S_V_PN (EPOS)	Min	Max	Factory setting
	-	-	0
Description:	Sets the signal source for "activating traversing task". BI: p2631 = 0/1 signal The traversing task, selected using BI: p2625 ... p2630, is started.		
Dependency:	Refer to: p2625, p2626, p2627, p2628, p2640, p2641		
Notice:	The parameter may be protected as a result of p0922 or p2079 and cannot be changed.		
Note:	To start a traversing block, the axis must be referenced (r2684.11 = 1). The status signal r2684.12 = 0/1 signal is used for acknowledgement. A traversing task can be influenced using the following signals: - intermediate stop via BI: p2640. - reject traversing task via BI: p2641.		

p2632	EPOS external block change evaluation / Ext BlckChg eval		
CU250S_V (EPOS)	Access level: 1	Calculated: -	Data type: Integer16
CU250S_V_CAN (EPOS)	Can be changed: T	Scaling: -	Dyn. index: -
CU250S_V_DP (EPOS)	Units group: -	Unit selection: -	Func. diagram: 3615, 3616
CU250S_V_PN (EPOS)	Min	Max	Factory setting
	0	1	0
Description:	Sets the mode to evaluate "external block change".		
Value:	0: External block change via the measuring probe 1: External block change via BI: p2633		
Dependency:	Refer to: p2623, p2633, r2677, r2678		
Note:	In the mode "external block change via measuring probe (p2632 = 0), the following applies: When starting a traversing block with the block change enable CONTINUE_EXTERNAL, CONTINUE_EXTERNAL_WAIT and CONTINUE_EXTERNAL_ALARM an activated "flying referencing" is interrupted. After ending the block, "flying referencing" must be re-activated via BI: p2595 = 0/1 signal.		

p2633		BI: EPOS external block change (0 -> 1) / Ext BlckChg (0->1)	
CU250S_V (EPOS)	Access level: 1	Calculated: -	Data type: U32 / Binary
CU250S_V_CAN (EPOS)	Can be changed: T	Scaling: -	Dyn. index: -
CU250S_V_DP (EPOS)	Units group: -	Unit selection: -	Func. diagram: 3615
CU250S_V_PN (EPOS)	Min	Max	Factory setting
	-	-	0
Description:	Sets the signal source for "external block change". BI: p2633 = 0/1 signal		
Dependency:	The evaluation of the signal is only active p2632 = 1. Refer to: p2623, p2632, p2640, p2641, r2677, r2678		
Notice:	The parameter may be protected as a result of p0922 or p2079 and cannot be changed.		
Note:	A 0/1 edge initiates a flying block change in the subsequent traversing block. When the external block change is identified, the actual position is saved in r2678. A traversing task can be influenced using the following signals: - intermediate stop via BI: p2640. - reject traversing task via BI: p2641.		
p2634[0...n]		EPOS fixed stop maximum following error / Following err max	
CU250S_V (Pos ctrl)	Access level: 1	Calculated: -	Data type: Unsigned32
CU250S_V_CAN (Pos ctrl)	Can be changed: U, T	Scaling: -	Dyn. index: DDS, p0180
CU250S_V_DP (Pos ctrl)	Units group: -	Unit selection: -	Func. diagram: 3617, 4025
CU250S_V_PN (Pos ctrl)	Min	Max	Factory setting
	0 [LU]	2147482647 [LU]	1000 [LU]
Description:	Sets the following error to detect the "fixed stop reached" state (r2526.4).		
Dependency:	Refer to: r2526, p2621, r2675		
Note:	The state "fixed stop reached" is detected if the following error exceeds the theoretically calculated following error value by p2634.		
p2635		EPOS fixed stop monitoring window / Fixed stop monit	
CU250S_V (Pos ctrl)	Access level: 1	Calculated: -	Data type: Unsigned32
CU250S_V_CAN (Pos ctrl)	Can be changed: U, T	Scaling: -	Dyn. index: -
CU250S_V_DP (Pos ctrl)	Units group: -	Unit selection: -	Func. diagram: 3617, 4025
CU250S_V_PN (Pos ctrl)	Min	Max	Factory setting
	0 [LU]	2147482647 [LU]	100 [LU]
Description:	Sets the monitoring window of the actual position after the fixed stop is reached.		
Dependency:	Refer to: r2526, r2683		
Note:	If, after the fixed stop is reached, the end stop shifts in either the positive or negative direction by more than the value set here, then BO: r2526.5 is set to 1 and an appropriate message is output.		

2 Parameters

2.2 List of parameters

p2637	BI: EPOS fixed stop reached / Fixed stop reached		
CU250S_V (EPOS)	Access level: 1	Calculated: -	Data type: U32 / Binary
CU250S_V_CAN (EPOS)	Can be changed: T	Scaling: -	Dyn. index: -
CU250S_V_DP (EPOS)	Units group: -	Unit selection: -	Func. diagram: 3616, 3617
CU250S_V_PN (EPOS)	Min	Max	Factory setting
	-	-	2526.4
Description:	Sets the signal source for the feedback signal "fixed stop reached". BI: p2637 = 1 signal Fixed stop is reached. BI: p2637 = 0 signal Fixed stop is not reached.		
Dependency:	Refer to: r2526, p2634		
Notice:	The parameter may be protected as a result of p0922 or p2079 and cannot be changed.		
Note:	The identification of "fixed stop reached" is, for the factory setting, dependent on the signal BO: r2526.4 (fixed stop reached). This signal is influenced via p2634 (EPOS fixed stop, maximum following error).		

p2638	BI: EPOS fixed stop outside the monitoring window / Fixed stop outside		
CU250S_V (EPOS)	Access level: 3	Calculated: -	Data type: U32 / Binary
CU250S_V_CAN (EPOS)	Can be changed: T	Scaling: -	Dyn. index: -
CU250S_V_DP (EPOS)	Units group: -	Unit selection: -	Func. diagram: 3616, 3617
CU250S_V_PN (EPOS)	Min	Max	Factory setting
	-	-	2526.5
Description:	Sets the signal source for the feedback signal "fixed stop outside the monitoring window". BI: p2638 = 1 signal Fixed stop is located outside the monitoring window. BI: p2638 = 0 signal Fixed stop is inside the monitoring window.		
Dependency:	Refer to: r2526, p2635		
Note:	The identification of "fixed stop outside the monitoring window" is, for the factory setting, dependent on signal BO: r2526.5 (fixed stop outside window). This signal is influenced via p2635 (EPOS fixed stop monitoring window).		

p2639	BI: EPOS torque limit reached / M_limit reached		
CU250S_V (EPOS)	Access level: 3	Calculated: -	Data type: U32 / Binary
CU250S_V_CAN (EPOS)	Can be changed: T	Scaling: -	Dyn. index: -
CU250S_V_DP (EPOS)	Units group: -	Unit selection: -	Func. diagram: 3616
CU250S_V_PN (EPOS)	Min	Max	Factory setting
	-	-	1407.7
Description:	Sets the signal source for the feedback signal "torque limit reached" when traversing to fixed stop. BI: p2639 = 1 signal Torque limit is reached. BI: p2639 = 0 signal Torque limit is not reached.		
Dependency:	Refer to: r1407		
Note:	The feedback signal from "torque limit reached" is, for the factory setting, dependent on the signal BO: r1407.7 (torque limit reached).		

p2640	BI: EPOS intermediate stop (0 signal) / Intermediate stop		
CU250S_V (EPOS)	Access level: 1	Calculated: -	Data type: U32 / Binary
CU250S_V_CAN (EPOS)	Can be changed: T	Scaling: -	Dyn. index: -
CU250S_V_DP (EPOS)	Units group: -	Unit selection: -	Func. diagram: 3616, 3620, 3625
CU250S_V_PN (EPOS)	Min	Max	Factory setting
	-	-	0

Description: Sets the signal source for the "no intermediate stop/intermediate stop".

BI: p2640 = 1 signal

No intermediate stop.

BI: p2640 = 0 signal

Intermediate stop.

Dependency: Refer to: p2631, p2641, p2647, p2649

Caution: For BI: p2649 = 1 signal, the following applies:



Motion starts without any explicit control signal.

Notice: The parameter may be protected as a result of p0922 or p2079 and cannot be changed.

Note: This signal is only effective in the modes "traversing blocks" and "direct setpoint input/MDI".

When activating the intermediate stop, the axis brakes with the parameterized deceleration (p2620 or p2645).

p2641	BI: EPOS reject traversing task (0 signal) / Trav_task reject		
CU250S_V (EPOS)	Access level: 1	Calculated: -	Data type: U32 / Binary
CU250S_V_CAN (EPOS)	Can be changed: T	Scaling: -	Dyn. index: -
CU250S_V_DP (EPOS)	Units group: -	Unit selection: -	Func. diagram: 3616, 3620, 3625
CU250S_V_PN (EPOS)	Min	Max	Factory setting
	-	-	0

Description: Sets the signal source for "do not reject traversing task/reject traversing task".

BI: p2641 = 1 signal

Do not reject traversing task.

BI: p2641 = 0 signal

Reject traversing task.

Dependency: Refer to: p2631, p2640, p2647, p2649

Caution: For BI: p2649 = 1 signal, the following applies:



Motion starts without any explicit control signal.

Notice: The parameter may be protected as a result of p0922 or p2079 and cannot be changed.

Note: This signal is only effective in the modes "traversing blocks" and "direct setpoint input/MDI".

When activating reject traversing tasks, then the axis brakes with the maximum deceleration (p2573).

p2642	CI: EPOS direct setpoint input/MDI position setpoint / MDI s_set		
CU250S_V (EPOS)	Access level: 1	Calculated: -	Data type: U32 / Integer32
CU250S_V_CAN (EPOS)	Can be changed: T	Scaling: -	Dyn. index: -
CU250S_V_DP (EPOS)	Units group: -	Unit selection: -	Func. diagram: 3618
CU250S_V_PN (EPOS)	Min	Max	Factory setting
	-	-	2690[0]

Description: Sets the signal source for the position setpoint in the mode "direct setpoint input/MDI".

Dependency: Refer to: p2648, p2649, p2650, p2690

Notice: The parameter may be protected as a result of p0922 or p2079 and cannot be changed.

Note: Depending on p2649, the position setpoint is either transferred continuously or edge-triggered.

The position setpoint input is interpreted as length unit [LU].

2 Parameters

2.2 List of parameters

p2643	CI: EPOS direct setpoint input/MDI velocity setpoint / MDI v_set
CU250S_V (EPOS)	Access level: 1 Calculated: - Data type: U32 / Integer32
CU250S_V_CAN (EPOS)	Can be changed: T Scaling: - Dyn. index: -
CU250S_V_DP (EPOS)	Units group: - Unit selection: - Func. diagram: 3618
CU250S_V_PN (EPOS)	Min Max Factory setting
	- - 2691[0]
Description:	Sets the signal source for the velocity setpoint in the "direct setpoint input/MDI mode".
Dependency:	Refer to: p2649, p2650, p2691
Notice:	The parameter may be protected as a result of p0922 or p2079 and cannot be changed.
Note:	Depending on p2649, the velocity setpoint is either transferred continuously or edge-triggered. The velocity setpoint input is interpreted as [1000 LU/min].

p2644	CI: EPOS direct setpoint input/MDI acceleration override / MDI a_over
CU250S_V (EPOS)	Access level: 1 Calculated: - Data type: U32 / FloatingPoint32
CU250S_V_CAN (EPOS)	Can be changed: T Scaling: PERCENT Dyn. index: -
CU250S_V_DP (EPOS)	Units group: - Unit selection: - Func. diagram: 3618
CU250S_V_PN (EPOS)	Min Max Factory setting
	- - 2692[0]
Description:	Sets the signal source for the acceleration override in the operating mode "direct setpoint input/MDI".
Dependency:	Refer to: p2649, p2650, p2692
Notice:	The parameter may be protected as a result of p0922 or p2079 and cannot be changed.
Note:	Depending on p2649, the acceleration override is either transferred continuously or edge-triggered. The signal value 4000 hex (16384 dec) corresponds to 100 %.

p2645	CI: EPOS direct setpoint input/MDI deceleration override / MDI -a_over
CU250S_V (EPOS)	Access level: 1 Calculated: - Data type: U32 / FloatingPoint32
CU250S_V_CAN (EPOS)	Can be changed: T Scaling: PERCENT Dyn. index: -
CU250S_V_DP (EPOS)	Units group: - Unit selection: - Func. diagram: 3618
CU250S_V_PN (EPOS)	Min Max Factory setting
	- - 2693[0]
Description:	Sets the signal source for the deceleration override in the operating mode "direct setpoint input/MDI".
Dependency:	Refer to: p2649, p2650, p2693
Notice:	If, when calculating the traversing profile, it is identified that the target position with the programmed deceleration override cannot be reached without reversing the direction, then when accepting the dynamic values, the larger deceleration override is accepted and becomes effective. The parameter may be protected as a result of p0922 or p2079 and cannot be changed.
Note:	Depending on p2649, the deceleration override is either transferred continuously or edge-triggered. The signal value 4000 hex (16384 dec) corresponds to 100 %.

p2646	CI: EPOS velocity override / v_over
CU250S_V (EPOS)	Access level: 1 Calculated: - Data type: U32 / FloatingPoint32
CU250S_V_CAN (EPOS)	Can be changed: T Scaling: PERCENT Dyn. index: -
CU250S_V_DP (EPOS)	Units group: - Unit selection: - Func. diagram: 3630
CU250S_V_PN (EPOS)	Min Max Factory setting
	- - 1
Description:	Sets the signal source for the velocity override. This velocity override is effective in the following operating modes "direct setpoint input/MDI", "traversing blocks", "jogging" and "search for reference" (when approaching the reference cam).

Dependency: Refer to: p2571, p2585, p2586, p2605, p2618, p2643, r2681
Notice: The parameter may be protected as a result of p0922 or p2079 and cannot be changed.
Note: The effective override (r2681) can differ from the specified override due to limits (e.g. maximum velocity).

p2647		BI: EPOS direct setpoint input/MDI selection / MDI selection		
CU250S_V (EPOS)	Access level: 1	Calculated: -	Data type: U32 / Binary	
CU250S_V_CAN (EPOS)	Can be changed: T	Scaling: -	Dyn. index: -	
CU250S_V_DP (EPOS)	Units group: -	Unit selection: -	Func. diagram: 3620, 3625, 3640	
CU250S_V_PN (EPOS)	Min	Max	Factory setting	
	-	-	0	

Description: Sets the signal source for selecting the operating mode "direct setpoint input/MDI".
Dependency: Refer to: p2640, p2641, p2642, p2643, p2644, p2645, p2646, p2648, p2649, p2650, p2651, p2652, p2653
Note: In this mode, using BI: p2653 it is possible to make a flying changeover between setting-up and positioning. In this mode, even if the axis is not referenced (r2684.11 = 0) relative positioning is possible.

p2648		BI: EPOS direct setpoint input/MDI positioning type / MDI pos_type		
CU250S_V (EPOS)	Access level: 1	Calculated: -	Data type: U32 / Binary	
CU250S_V_CAN (EPOS)	Can be changed: T	Scaling: -	Dyn. index: -	
CU250S_V_DP (EPOS)	Units group: -	Unit selection: -	Func. diagram: 3620	
CU250S_V_PN (EPOS)	Min	Max	Factory setting	
	-	-	0	

Description: Sets the signal source for the positioning type in the mode "direct setpoint input/MDI".
 BI: p2648 = 1 signal
 Absolute positioning is selected.
 BI: p2648 = 0 signal
 Relative positioning is selected.

Dependency: Refer to: p2649, p2650, p2654

Notice: Absolute positioning:
 To traverse, the reference point must be set (r2684.11 = 1).
 Relative positioning:
 To traverse, it is not necessary that the reference point is set.

Note: Depending on p2649, the positioning type is either transferred continuously or edge-triggered.
 Binector input p2648 is only evaluated when connector input p2654 = 0. If p2654 is a value other than 0, the positioning type is evaluated by means of the set signal source.

p2649		BI: EPOS direct setpoint input/MDI transfer type selection / MDI trans_type sel		
CU250S_V (EPOS)	Access level: 1	Calculated: -	Data type: U32 / Binary	
CU250S_V_CAN (EPOS)	Can be changed: T	Scaling: -	Dyn. index: -	
CU250S_V_DP (EPOS)	Units group: -	Unit selection: -	Func. diagram: 3620	
CU250S_V_PN (EPOS)	Min	Max	Factory setting	
	-	-	0	

Description: Sets the signal source to define how values are transferred in the operating mode "direct setpoint input/MDI".
 BI: p2649 = 1 signal
 Values are continually transferred (refer to parameter under dependency).
 BI: p2649 = 0 signal
 The values are transferred for BI: p2650 = 0/1 signal.

Dependency: Refer to: p2642, p2643, p2644, p2645, p2648, p2650, p2651, p2652

Caution: For BI: p2649 = 1 signal, the following applies:
 Motion starts without any explicit control signal.

Note: Parameter p2649 can only be changed when p0922 (p2079) = 999.



2 Parameters

2.2 List of parameters

p2650		BI: EPOS direct setpoint input/MDI setpoint acceptance edge / MDI setp_accept		
CU250S_V (EPOS)	Access level: 1	Calculated: -	Data type: U32 / Binary	
CU250S_V_CAN (EPOS)	Can be changed: T	Scaling: -	Dyn. index: -	
CU250S_V_DP (EPOS)	Units group: -	Unit selection: -	Func. diagram: 3620	
CU250S_V_PN (EPOS)	Min	Max	Factory setting	
	-	-	0	
Description:	Sets the signal source to accept the values for edge-triggered selection (BI: p2649 = 0 signal) in the operating mode "direct setpoint input/MDI". BI: p2650 = 0/1 signal and BI: p2649 = 0 signal Values are accepted, edge-triggered (refer to parameter under dependency).			
Dependency:	Refer to: p2640, p2641, p2642, p2643, p2644, p2645, p2648, p2649, p2651, p2652, r2684			
Notice:	The parameter may be protected as a result of p0922 or p2079 and cannot be changed.			
Note:	The status signal r2684.12 = 0/1 signal is used for acknowledgement. The operating mode "direct setpoint input/MDI" can be influenced via the following signals: - intermediate stop via BI: p2640. - reject traversing task via BI: p2641.			

p2651		BI: EPOS direct setpoint input/MDI direction selection, positive / MDI dir_sel pos		
CU250S_V (EPOS)	Access level: 1	Calculated: -	Data type: U32 / Binary	
CU250S_V_CAN (EPOS)	Can be changed: T	Scaling: -	Dyn. index: -	
CU250S_V_DP (EPOS)	Units group: -	Unit selection: -	Func. diagram: 3620	
CU250S_V_PN (EPOS)	Min	Max	Factory setting	
	-	-	0	
Description:	Sets the signal source for the positive direction selection in the operating mode "direct setpoint input/MDI".			
Dependency:	Refer to: p2576, p2648, p2649, p2650, p2652, p2653, p2654			
Note:	The following applies for "setting-up": - the traversing direction can be entered using this binector input. - if both directions (p2651, p2652) are selected, then the axis remains stationary (zero speed). - if both directions (p2651, p2652) are de-selected, then the axis remains stationary (zero speed). The following applies for "positioning": Using binector inputs p2651 and p2652, when the modulo correction (BI: p2577 = 1 signal) is activated and for absolute positioning (BI: p2648 = 1 signal), the traversing direction is specified as follows: BI: p2651 / BI: p2652 0 signal / 0 signal: Absolute positioning through the shortest distance. 1 signal / 0 signal: Absolute positioning in the positive direction. 0 signal / 1 signal: Absolute positioning in the negative direction. 1 signal / 1 signal: Absolute positioning through the shortest distance.			

p2652		BI: EPOS direct setpoint input/MDI direction selection negative / MDI dir_sel neg		
CU250S_V (EPOS)	Access level: 1	Calculated: -	Data type: U32 / Binary	
CU250S_V_CAN (EPOS)	Can be changed: T	Scaling: -	Dyn. index: -	
CU250S_V_DP (EPOS)	Units group: -	Unit selection: -	Func. diagram: 3620	
CU250S_V_PN (EPOS)	Min	Max	Factory setting	
	-	-	0	
Description:	Sets the signal source for the negative direction selection in the operating mode "direct setpoint input/MDI".			
Dependency:	Refer to: p2576, p2648, p2649, p2650, p2651, p2653, p2654			
Note:	The following applies for "setting-up": - the traversing direction can be entered using this binector input. - if both directions (p2651, p2652) are selected, then the axis remains stationary (zero speed). - if both directions (p2651, p2652) are de-selected, then the axis remains stationary (zero speed).			

The following applies for "positioning":

Using binector inputs p2651 and p2652, when the modulo correction (BI: p2577 = 1 signal) is activated and for absolute positioning (BI: p2648 = 1 signal), the traversing direction is specified as follows:

BI: p2651 / BI: p2652

0 signal / 0 signal: Absolute positioning through the shortest distance.

1 signal / 0 signal: Absolute positioning in the positive direction.

0 signal / 1 signal: Absolute positioning in the negative direction.

1 signal / 1 signal: Absolute positioning through the shortest distance.

p2653	BI: EPOS direct setpoint input/MDI setting-up selection / MDI setting-up sel		
CU250S_V (EPOS)	Access level: 1	Calculated: -	Data type: U32 / Binary
CU250S_V_CAN (EPOS)	Can be changed: T	Scaling: -	Dyn. index: -
CU250S_V_DP (EPOS)	Units group: -	Unit selection: -	Func. diagram: 3620
CU250S_V_PN (EPOS)	Min	Max	Factory setting
	-	-	0
Description:	Sets the signal source for setting-up in the operating mode "direct setpoint input/MDI". BI: p2653 = 1 signal Setting-up selected. BI: p2653 = 0 signal Positioning selected.		
Dependency:	Refer to: p2651, p2652		
Note:	In the operating mode "direct setpoint input/MDI", it is possible to make a flying changeover between setting-up and positioning. For "setup" (BI: p2653 = 1 signal), the following applies: A traversing direction must be selected via binector inputs p2651 and p2652.		

p2654	CI: EPOS direct setpoint input/MDI mode adaptation / MDI mode adapt		
CU250S_V (EPOS)	Access level: 1	Calculated: -	Data type: U32 / Integer16
CU250S_V_CAN (EPOS)	Can be changed: T	Scaling: -	Dyn. index: -
CU250S_V_DP (EPOS)	Units group: -	Unit selection: -	Func. diagram: 3620
CU250S_V_PN (EPOS)	Min	Max	Factory setting
	-	-	0
Description:	Sets the signal source to interconnect the MDI mode to the operating mode "direct setpoint input MDI" via PROFIBUS telegram 110. CI: p2654 = 0 The binector inputs listed below are evaluated. CI: p2654 > 0 The following binector inputs are not evaluated: - BI: p2648 (positioning type) - BI: p2651 (direction selection, positive) - BI: p2652 (direction selection, negative) In this case, the following definitions apply: Signal via CI: p2654 = xx0x hex -> absolute Signal via CI: p2654 = xx1x hex -> relative Signal via CI: p2654 = xx2x hex -> abs_pos (only for modulo correction) Signal via CI: p2654 = xx3x hex -> abs_neg (only for modulo correction)		
Dependency:	Refer to: p2648, p2651, p2652		

2 Parameters

2.2 List of parameters

p2655[0...1]

BI: EPOS select tracking mode / Sel tracking mode

CU250S_V (EPOS)	Access level: 1	Calculated: -	Data type: U32 / Binary
CU250S_V_CAN (EPOS)	Can be changed: T	Scaling: -	Dyn. index: -
CU250S_V_DP (EPOS)	Units group: -	Unit selection: -	Func. diagram: 3635
CU250S_V_PN (EPOS)	Min	Max	Factory setting
	-	-	[0] 1
			[1] 2526.7

Description:

Sets the signal source to select tracking mode.
BI: p2655[0] or BI: p2655[1] = 1 signal
Tracking mode after withdrawing the enable signal from EPOS (BI: p2656 = 0 signal).
BI: p2655[0] and BI: p2655[1] = 0 signal
No tracking mode after withdrawing the enable signal from EPOS (BI: p2656 = 0 signal).

Dependency:

Refer to: p2656

Notice:

The parameter may be protected as a result of p0922 or p2079 and cannot be changed.

Note:

For the following events, independent of the signal that is present, tracking mode is selected:
- after booting.
- after a 0/1 signal at BI: p2658 (EPOS position actual value, valid feedback signal).
- while a fault is present.

p2656

BI: EPOS enable basic positioner / EPOS enable

CU250S_V (EPOS)	Access level: 3	Calculated: -	Data type: U32 / Binary
CU250S_V_CAN (EPOS)	Can be changed: T	Scaling: -	Dyn. index: -
CU250S_V_DP (EPOS)	Units group: -	Unit selection: -	Func. diagram: 3635
CU250S_V_PN (EPOS)	Min	Max	Factory setting
	-	-	2526.3

Description:

Sets the signal source to enable the basic positioner.
BI: p2656 = 1 signal
The basic positioner is enabled.
BI: p2656 = 0 signal
The basic positioner is not enabled.

Dependency:

Refer to: r2526, p2655

p2657

CI: EPOS position actual value/position setting value / Pos act/set value

CU250S_V (EPOS)	Access level: 3	Calculated: -	Data type: U32 / Integer32
CU250S_V_CAN (EPOS)	Can be changed: T	Scaling: -	Dyn. index: -
CU250S_V_DP (EPOS)	Units group: -	Unit selection: -	Func. diagram: 3610, 3616, 3620, 3635
CU250S_V_PN (EPOS)	Min	Max	Factory setting
	-	-	2521[0]

Description:

Sets the signal source for the position actual value/position setting value.

Dependency:

Refer to: r2521, p2658

Note:

In the tracking mode, the position setpoint is taken from this connector input.

p2658	BI: EPOS pos. actual value valid feedback signal / Pos valid feedback		
CU250S_V (EPOS)	Access level: 3	Calculated: -	Data type: U32 / Binary
CU250S_V_CAN (EPOS)	Can be changed: T	Scaling: -	Dyn. index: -
CU250S_V_DP (EPOS)	Units group: -	Unit selection: -	Func. diagram: 3635
CU250S_V_PN (EPOS)	Min	Max	Factory setting
	-	-	2526.0
Description:	Sets the signal source for the feedback signal "position actual value is valid". BI: p2658 = 1 signal The position actual value received via CI: p2657 is valid. BI: p2658 = 0 signal The position actual value received via CI: p2657 is invalid.		
Dependency:	Refer to: r2526, p2657		
Note:	While a 0 signal is present, the position setpoint (p2665) is held at the value of 0.		
p2659	BI: EPOS referencing active feedback signal / Ref act fdbk		
CU250S_V (EPOS)	Access level: 3	Calculated: -	Data type: U32 / Binary
CU250S_V_CAN (EPOS)	Can be changed: T	Scaling: -	Dyn. index: -
CU250S_V_DP (EPOS)	Units group: -	Unit selection: -	Func. diagram: 3612
CU250S_V_PN (EPOS)	Min	Max	Factory setting
	-	-	2526.1
Description:	Sets the signal source for the feedback signal "referencing active". BI: p2659 = 1 signal Referencing is active. BI: p2659 = 0 signal Referencing is not active.		
Dependency:	Refer to: r2526		
p2660	CI: EPOS measured value referencing / Meas val ref		
CU250S_V (EPOS)	Access level: 3	Calculated: -	Data type: U32 / Integer32
CU250S_V_CAN (EPOS)	Can be changed: T	Scaling: -	Dyn. index: -
CU250S_V_DP (EPOS)	Units group: -	Unit selection: -	Func. diagram: 3612, 3614
CU250S_V_PN (EPOS)	Min	Max	Factory setting
	-	-	2523[0]
Description:	Sets the signal source for the measured value for the function "referencing".		
Dependency:	Refer to: r2523		
p2661	BI: EPOS measured value valid feedback signal / MeasVal valid fdbk		
CU250S_V (EPOS)	Access level: 3	Calculated: -	Data type: U32 / Binary
CU250S_V_CAN (EPOS)	Can be changed: T	Scaling: -	Dyn. index: -
CU250S_V_DP (EPOS)	Units group: -	Unit selection: -	Func. diagram: 3612, 3614, 3615
CU250S_V_PN (EPOS)	Min	Max	Factory setting
	-	-	2526.2
Description:	Sets the signal source for the feedback signal "measured value valid". BI: p2661 = 1 signal The measured value received via CI: p2660 is valid. BI: p2661 = 0 signal The measured value received via CI: p2660 is invalid.		
Dependency:	Refer to: r2526, p2660		

2 Parameters

2.2 List of parameters

p2662	BI: EPOS adjustment value valid feedback signal / Adj val valid FS		
CU250S_V (EPOS)	Access level: 3	Calculated: -	Data type: U32 / Binary
CU250S_V_CAN (EPOS)	Can be changed: T	Scaling: -	Dyn. index: -
CU250S_V_DP (EPOS)	Units group: -	Unit selection: -	Func. diagram: -
CU250S_V_PN (EPOS)	Min	Max	Factory setting
	-	-	2526.9
Description:	Sets the signal source for the feedback signal "adjustment value valid". BI: p2662 = 1 signal The adjustment value received via CI: p2660 is valid. BI: p2662 = 0 signal The adjustment value received via CI: p2660 is not valid.		
Dependency:	Refer to: r2526, p2660		
<hr/>			
p2663	BI: EPOS clamping active feedback signal / Clamping active FS		
CU250S_V (EPOS)	Access level: 3	Calculated: -	Data type: U32 / Binary
CU250S_V_CAN (EPOS)	Can be changed: T	Scaling: -	Dyn. index: -
CU250S_V_DP (EPOS)	Units group: -	Unit selection: -	Func. diagram: 3616
CU250S_V_PN (EPOS)	Min	Max	Factory setting
	-	-	2526.8
Description:	Sets the signal source for the feedback signal "clamping active for travel to fixed stop". BI: p2663 = 1 signal Clamping is active BI: p2663 = 0 signal Clamping is not active.		
Dependency:	Refer to: r2526		
Note:	The feedback signal from "terminals active" is, for the factory setting, dependent on the signal BO: r2526.8 (terminals active when moving to a fixed stop).		
<hr/>			
r2665	CO: EPOS position setpoint / s_set		
CU250S_V (EPOS)	Access level: 1	Calculated: -	Data type: Integer32
CU250S_V_CAN (EPOS)	Can be changed: -	Scaling: -	Dyn. index: -
CU250S_V_DP (EPOS)	Units group: -	Unit selection: -	Func. diagram: 3635
CU250S_V_PN (EPOS)	Min	Max	Factory setting
	- [LU]	- [LU]	- [LU]
Description:	Displays the actual absolute position setpoint.		
Dependency:	Refer to: p2530		
Note:	As standard, the following BICO interconnection is established: CI: p2530 = r2665		
<hr/>			
r2666	CO: EPOS velocity setpoint / v_set		
CU250S_V (EPOS)	Access level: 1	Calculated: -	Data type: Integer32
CU250S_V_CAN (EPOS)	Can be changed: -	Scaling: -	Dyn. index: -
CU250S_V_DP (EPOS)	Units group: -	Unit selection: -	Func. diagram: 3635
CU250S_V_PN (EPOS)	Min	Max	Factory setting
	- [1000 LU/min]	- [1000 LU/min]	- [1000 LU/min]
Description:	Displays the actual velocity setpoint.		
Dependency:	Refer to: p2531		
Note:	As standard, the following BICO interconnection is established: CI: p2531 = r2666		

r2667	CO: EPOS backlash compensation value / Backlash value		
CU250S_V (EPOS)	Access level: 1	Calculated: -	Data type: Integer32
CU250S_V_CAN (EPOS)	Can be changed: -	Scaling: -	Dyn. index: -
CU250S_V_DP (EPOS)	Units group: -	Unit selection: -	Func. diagram: 3635
CU250S_V_PN (EPOS)	Min - [LU]	Max - [LU]	Factory setting - [LU]
Description:	Displays the actual effective value for backlash compensation.		
Dependency:	Refer to: p2516		
Note:	As standard, the following BICO interconnection is established: CI: p2516 = r2667		

r2669	CO: EPOS actual operating mode / Op mode act		
CU250S_V (EPOS)	Access level: 1	Calculated: -	Data type: Integer32
CU250S_V_CAN (EPOS)	Can be changed: -	Scaling: -	Dyn. index: -
CU250S_V_DP (EPOS)	Units group: -	Unit selection: -	Func. diagram: 3625, 3630
CU250S_V_PN (EPOS)	Min -	Max -	Factory setting -
Description:	Displays the actual active operating mode. Value = 00 hex -> no operating mode active Value = 01 hex -> jogging active Value = 02 hex -> search for reference active Value = 04 hex -> traversing blocks active Value = 08 hex -> Positioning for direct setpoint input/MDI active Value = 10 hex -> Setting-up for direct setpoint input/MDI active Value = 20 hex -> flying referencing active		
Dependency:	Refer to: p2589, p2590, p2595, p2631, p2647, p2653		

r2670.0...15	CO/BO: EPOS status word active traversing block / ZSW act trav_block				
CU250S_V (EPOS)	Access level: 1	Calculated: -	Data type: Unsigned32		
CU250S_V_CAN (EPOS)	Can be changed: -	Scaling: -	Dyn. index: -		
CU250S_V_DP (EPOS)	Units group: -	Unit selection: -	Func. diagram: 3615, 3625, 3650		
CU250S_V_PN (EPOS)	Min -	Max -	Factory setting -		
Description:	Displays the status word for the active traversing block. r2670.0: Active traversing block, bit 0 ... r2670.5: Active traversing block, bit 5 r2670.15: MDI active				
Bit field:	Bit	Signal name	1 signal	0 signal	FP
	00	Active traversing block bit 0	Active	Not active	-
	01	Active traversing block bit 1	Active	Not active	-
	02	Active traversing block bit 2	Active	Not active	-
	03	Active traversing block bit 3	Active	Not active	-
	15	MDI active	Active	Not active	-
Dependency:	Refer to: p2631, p2647				
Note:	Re bit 00 ... 05: Displays the active traversing block in the traversing blocks operating mode. Re bit 15: For a 1 signal, the operating mode - direct setpoint input/MDI - is active				

2 Parameters

2.2 List of parameters

r2671	CO: EPOS actual position setpoint / s_set act		
CU250S_V (EPOS)	Access level: 1	Calculated: -	Data type: Integer32
CU250S_V_CAN (EPOS)	Can be changed: -	Scaling: -	Dyn. index: -
CU250S_V_DP (EPOS)	Units group: -	Unit selection: -	Func. diagram: 3610, 3616, 3620
CU250S_V_PN (EPOS)	Min - [LU]	Max - [LU]	Factory setting - [LU]
Description:	Displays the position setpoint presently being processed.		
Note:	A position of 0 is displayed for non position-related tasks (e.g. ENDLESS_POS, ENDLESS_NEG).		
r2672	CO: EPOS actual velocity setpoint / v_set act		
CU250S_V (EPOS)	Access level: 1	Calculated: -	Data type: Integer32
CU250S_V_CAN (EPOS)	Can be changed: -	Scaling: -	Dyn. index: -
CU250S_V_DP (EPOS)	Units group: -	Unit selection: -	Func. diagram: 3610, 3612, 3616, 3620
CU250S_V_PN (EPOS)	Min - [1000 LU/min]	Max - [1000 LU/min]	Factory setting - [1000 LU/min]
Description:	Displays the velocity setpoint presently being processed.		
r2673	CO: EPOS actual acceleration override / a_over act		
CU250S_V (EPOS)	Access level: 1	Calculated: -	Data type: FloatingPoint32
CU250S_V_CAN (EPOS)	Can be changed: -	Scaling: -	Dyn. index: -
CU250S_V_DP (EPOS)	Units group: -	Unit selection: -	Func. diagram: 3610, 3612, 3616, 3620
CU250S_V_PN (EPOS)	Min - [%]	Max - [%]	Factory setting - [%]
Description:	Displays the acceleration override presently being processed.		
Note:	An override of 100% is effective in the "jogging" and "search for reference" operating modes.		
r2674	CO: EPOS actual deceleration override / -a_over act		
CU250S_V (EPOS)	Access level: 1	Calculated: -	Data type: FloatingPoint32
CU250S_V_CAN (EPOS)	Can be changed: -	Scaling: -	Dyn. index: -
CU250S_V_DP (EPOS)	Units group: -	Unit selection: -	Func. diagram: 3610, 3612, 3616, 3620
CU250S_V_PN (EPOS)	Min - [%]	Max - [%]	Factory setting - [%]
Description:	Displays the deceleration override presently being processed.		
Note:	An override of 100% is effective in the "jogging" and "search for reference" operating modes.		
r2675	CO: EPOS actual task / Task act		
CU250S_V (EPOS)	Access level: 1	Calculated: -	Data type: Integer16
CU250S_V_CAN (EPOS)	Can be changed: -	Scaling: -	Dyn. index: -
CU250S_V_DP (EPOS)	Units group: -	Unit selection: -	Func. diagram: 3616
CU250S_V_PN (EPOS)	Min 0	Max 9	Factory setting -
Description:	Displays the task that is presently being processed.		
Value:	0: Inactive 1: POSITIONING 2: FIXED STOP 3: ENDLESS_POS 4: ENDLESS_NEG		

5: WAITING
 6: GOTO
 7: SET_O
 8: RESET_O
 9: JERK

Dependency: Refer to: p2621

r2676 CO: EPOS actual task parameter / Task para act

CU250S_V (EPOS)	Access level: 1	Calculated: -	Data type: Integer32
CU250S_V_CAN (EPOS)	Can be changed: -	Scaling: -	Dyn. index: -
CU250S_V_DP (EPOS)	Units group: -	Unit selection: -	Func. diagram: 3616
CU250S_V_PN (EPOS)	Min	Max	Factory setting
	-	-	-

Description: Displays the task parameter presently being processed in the "traversing blocks" operating mode.

Dependency: Refer to: p2622

Note: The following is displayed depending on the task:
 FIXED STOP: Clamping torque (0 ... 65536 [0.01 Nm]) or clamping force (0 ... 65536 [N])
 WAIT: Delay time [ms]
 GOTO: Block number
 SET_O: 1, 2, 3 --> direct output 1, 2 or 3 (both) is set
 RESET_O: 1, 2, 3 --> direct output 1, 2 or 3 (both) is reset
 JERK: 0 --> de-activate, 1 --> activate

r2677 CO: EPOS actual task mode / Task mode act

CU250S_V (EPOS)	Access level: 1	Calculated: -	Data type: Unsigned16
CU250S_V_CAN (EPOS)	Can be changed: -	Scaling: -	Dyn. index: -
CU250S_V_DP (EPOS)	Units group: -	Unit selection: -	Func. diagram: 3616
CU250S_V_PN (EPOS)	Min	Max	Factory setting
	-	-	-

Description: Displays the task mode presently being processed.

Dependency: Refer to: p2623

r2678 CO: EPOS external block change actual position / Ext BlckChg s_act

CU250S_V (EPOS)	Access level: 1	Calculated: -	Data type: Integer32
CU250S_V_CAN (EPOS)	Can be changed: -	Scaling: -	Dyn. index: -
CU250S_V_DP (EPOS)	Units group: -	Unit selection: -	Func. diagram: 3615, 3616, 3620
CU250S_V_PN (EPOS)	Min	Max	Factory setting
	- [LU]	- [LU]	- [LU]

Description: Displays the actual position for the following events:
 - external block change via measuring probe (p2632 = 0, BI: p2661 = 0/1 signal).
 - external block change via BI: p2633 (p2632 = 1, BI: p2633 = 0/1 signal).
 - activate traversing task (BI: p2631 = 0/1 signal).

Dependency: Refer to: p2631, p2632, p2633, p2661

2 Parameters

2.2 List of parameters

r2680	CO: EPOS clearance reference cam and zero mark / Clearance cam/ZM				
CU250S_V (EPOS)	Access level: 1	Calculated: -	Data type: Integer32		
CU250S_V_CAN (EPOS)	Can be changed: -	Scaling: -	Dyn. index: -		
CU250S_V_DP (EPOS)	Units group: -	Unit selection: -	Func. diagram: 3612		
CU250S_V_PN (EPOS)	Min - [LU]	Max - [LU]	Factory setting - [LU]		
Description:	Displays the clearance determined between the reference cam and zero mark in the search for reference.				
r2681	CO: EPOS velocity override effective / v_over effective				
CU250S_V (EPOS)	Access level: 1	Calculated: -	Data type: FloatingPoint32		
CU250S_V_CAN (EPOS)	Can be changed: -	Scaling: -	Dyn. index: -		
CU250S_V_DP (EPOS)	Units group: -	Unit selection: -	Func. diagram: 3630		
CU250S_V_PN (EPOS)	Min - [%]	Max - [%]	Factory setting - [%]		
Description:	Displays the actual effective velocity override.				
Dependency:	Refer to: p2571, p2646				
Note:	The effective override can differ from the specified override due to limits (e.g. p2571, maximum velocity).				
r2682	CO: EPOS residual distance to go / Residual distance				
CU250S_V (EPOS)	Access level: 1	Calculated: -	Data type: Integer32		
CU250S_V_CAN (EPOS)	Can be changed: -	Scaling: -	Dyn. index: -		
CU250S_V_DP (EPOS)	Units group: -	Unit selection: -	Func. diagram: 3635		
CU250S_V_PN (EPOS)	Min - [LU]	Max - [LU]	Factory setting - [LU]		
Description:	Displays the current residual distance. The remaining distance is the distance to still to be moved through up to the end of the actual positioning task.				
Dependency:	Refer to: r2665, r2671, r2678				
r2683.0...14	CO/BO: EPOS status word 1 / POS_ZSW1				
CU250S_V (Pos ctrl)	Access level: 1	Calculated: -	Data type: Unsigned16		
CU250S_V_CAN (Pos ctrl)	Can be changed: -	Scaling: -	Dyn. index: -		
CU250S_V_DP (Pos ctrl)	Units group: -	Unit selection: -	Func. diagram: 3645		
CU250S_V_PN (Pos ctrl)	Min -	Max -	Factory setting -		
Description:	Displays status word 1 for the basic positioner (EPOS).				
Bit field:	Bit	Signal name	1 signal	0 signal	FP
	00	Tracking mode active	Yes	No	3635, 4020
	01	Velocity limiting active	Yes	No	3630
	02	Setpoint fixed	Yes	No	3635
	03	Set position reached	Yes	No	3635
	04	Axis moves forward	Yes	No	3635
	05	Axis moves backward	Yes	No	3635
	06	Software limit switch minus reached	Yes	No	3635
	07	Software limit switch plus reached	Yes	No	3635
	08	Position actual value <= cam switching position 1	Yes	No	4025
	09	Position actual value <= cam switching position 2	Yes	No	4025
	10	Direct output 1 via traversing block	Yes	No	3616

11	Direct output 2 via traversing block	Yes	No	3616
12	Fixed stop reached	Yes	No	3616, 3617
13	Fixed stop clamping torque reached	Yes	No	3616, 3617
14	Travel to fixed stop active	Yes	No	3616, 3617

Dependency: Refer to: r2684

Note: Re bit 02, 04, 05, 06, 07:

This signals designate the state after jerk limiting.

Re bit 08, 09:

These signals are generated in the "closed-loop position control" function module.

r2684.0...15 CO/BO: EPOS status word 2 / POS_ZSW2

CU250S_V (Pos ctrl)	Access level: 1	Calculated: -	Data type: Unsigned16
CU250S_V_CAN (Pos ctrl)	Can be changed: -	Scaling: -	Dyn. index: -
CU250S_V_DP (Pos ctrl)	Units group: -	Unit selection: -	Func. diagram: 3646
CU250S_V_PN (Pos ctrl)	Min	Max	Factory setting
	-	-	-

Description: Displays status word 2 for the basic positioner (EPOS).

Bit field:	Bit	Signal name	1 signal	0 signal	FP
	00	Search for reference active	Active	Not active	3612
	01	Flying referencing active	Active	Not active	3614
	02	Referencing active	Active	Not active	-
	03	Printing mark outside outer window	Yes	No	3614
	04	Axis accelerating	Yes	No	3635
	05	Axis decelerating	Yes	No	3635
	06	Jerk limiting active	Yes	No	3635
	07	Activate correction	Yes	No	3635
	08	Following error in tolerance	Yes	No	4025
	09	Modulo correction active	Yes	No	-
	10	Target position reached	Yes	No	4020
	11	Reference point set	Yes	No	3612, 3614, 3630
	12	Acknowledgement traversing block activated	Yes	No	3616, 3620
	13	STOP cam minus active	Yes	No	3630
	14	STOP cam plus active	Yes	No	3630
	15	Traversing command active	Yes	No	3635

Note: Re bit 02:

The "referencing active" signal is an OR logic operation of "search for reference active" and "flying referencing active".

Re bit 00 ... 07 and 11 ... 14:

These signals are generated in the function module "basic positioner".

Re bit 08:

The signal is generated in the "closed-loop position control" function module.

r2685 CO: EPOS corrective value / Corrective value

CU250S_V (EPOS)	Access level: 1	Calculated: -	Data type: Integer32
CU250S_V_CAN (EPOS)	Can be changed: -	Scaling: -	Dyn. index: -
CU250S_V_DP (EPOS)	Units group: -	Unit selection: -	Func. diagram: 3635
CU250S_V_PN (EPOS)	Min	Max	Factory setting
	- [LU]	- [LU]	- [LU]

Description: Displays the corrective value for the position actual value.

Dependency: Refer to: r2684

2 Parameters

2.2 List of parameters

Note: As standard, the following BICO interconnection is established: CI: p2513 = r2685
Using this value, e.g. modulo corrections are carried out.

r2686[0...1]	CO: EPOS torque limiting effective / M_limit eff		
CU250S_V (EPOS)	Access level: 3	Calculated: -	Data type: FloatingPoint32
CU250S_V_CAN (EPOS)	Can be changed: -	Scaling: -	Dyn. index: -
CU250S_V_DP (EPOS)	Units group: -	Unit selection: -	Func. diagram: 3616, 3617
CU250S_V_PN (EPOS)	Min - [%]	Max - [%]	Factory setting - [%]
Description:	Displays the effective torque limiting. r2686[0]: Displays the effective upper torque limiting when traversing to fixed stop (referred to CI: p1522, CI: p1523). r2686[1]: Displays the effective lower torque limiting when traversing to fixed stop (referred to CI: p1522, CI: p1523).		
Index:	[0] = Upper [1] = Lower		
Dependency:	Refer to: p1520, p1521, p1522, p1523, r2676		
Note:	As standard, the following BICO interconnections are established: CI: p1528 = r2686[0] CI: p1529 = r2686[1]		

r2687	CO: EPOS torque setpoint / M_set		
CU250S_V (EPOS)	Access level: 3	Calculated: -	Data type: FloatingPoint32
CU250S_V_CAN (EPOS)	Can be changed: -	Scaling: -	Dyn. index: -
CU250S_V_DP (EPOS)	Units group: -	Unit selection: -	Func. diagram: 3616, 3617
CU250S_V_PN (EPOS)	Min - [Nm]	Max - [Nm]	Factory setting - [Nm]
Description:	Displays the effective torque setpoint when reaching the fixed stop (referred to CI: p1522, CI: p1523).		
Dependency:	Refer to: p1520, p1521, p1522, p1523, r2676		

p2690	CO: EPOS position fixed setpoint / Pos fixed value		
CU250S_V (EPOS)	Access level: 1	Calculated: -	Data type: Integer32
CU250S_V_CAN (EPOS)	Can be changed: U, T	Scaling: -	Dyn. index: -
CU250S_V_DP (EPOS)	Units group: -	Unit selection: -	Func. diagram: 3618
CU250S_V_PN (EPOS)	Min -2147482648 [LU]	Max 2147482647 [LU]	Factory setting 0 [LU]
Description:	Sets a fixed setpoint for the position.		
Dependency:	Refer to: p2642, p2648		
Note:	As standard, the following BICO interconnection is established: CI: p2642 = r2690		

p2691	CO: EPOS velocity fixed setpoint / v fixed value		
CU250S_V (EPOS)	Access level: 1	Calculated: -	Data type: Unsigned32
CU250S_V_CAN (EPOS)	Can be changed: U, T	Scaling: -	Dyn. index: -
CU250S_V_DP (EPOS)	Units group: -	Unit selection: -	Func. diagram: 3618
CU250S_V_PN (EPOS)	Min 1 [1000 LU/min]	Max 40000000 [1000 LU/min]	Factory setting 600 [1000 LU/min]
Description:	Sets a fixed setpoint for the velocity.		
Dependency:	Refer to: p2643		
Note:	As standard, the following BICO interconnection is established: CI: p2643 = r2691		

p2692	CO: EPOS acceleration override, fixed setpoint / a_over fixed val		
CU250S_V (EPOS)	Access level: 1	Calculated: -	Data type: FloatingPoint32
CU250S_V_CAN (EPOS)	Can be changed: U, T	Scaling: -	Dyn. index: -
CU250S_V_DP (EPOS)	Units group: -	Unit selection: -	Func. diagram: 3618
CU250S_V_PN (EPOS)	Min 0.100 [%]	Max 100.000 [%]	Factory setting 100.000 [%]
Description:	Sets a fixed setpoint for the acceleration override.		
Dependency:	Refer to: p2572, p2644		
Note:	As standard, the following BICO interconnection is established: Cl: p2644 = r2692 The percentage value refers to the maximum acceleration (p2572).		

p2693	CO: EPOS deceleration override, fixed setpoint / -a_over fixed val		
CU250S_V (EPOS)	Access level: 1	Calculated: -	Data type: FloatingPoint32
CU250S_V_CAN (EPOS)	Can be changed: U, T	Scaling: -	Dyn. index: -
CU250S_V_DP (EPOS)	Units group: -	Unit selection: -	Func. diagram: 3618
CU250S_V_PN (EPOS)	Min 0.100 [%]	Max 100.000 [%]	Factory setting 100.000 [%]
Description:	Sets a fixed setpoint for the deceleration override.		
Dependency:	Refer to: p2573, p2645		
Note:	As standard, the following BICO interconnection is established: Cl: p2645 = r2693 The percentage value refers to the maximum deceleration (p2573).		

p2720[0...n]	Load gear configuration / Load gear config				
	Access level: 1	Calculated: -	Data type: Unsigned32		
	Can be changed: C(1, 4)	Scaling: -	Dyn. index: DDS, p0180		
	Units group: -	Unit selection: -	Func. diagram: -		
	Min -	Max -	Factory setting 0000 bin		
Description:	Sets the configuration for position tracking of a load gear.				
Bit field:	Bit	Signal name	1 signal	0 signal	FP
	00	Load gear activate position tracking	Yes	No	-
	01	Axis type	Linear axis	Rotary axis	-
	02	Load gear reset position	Yes	No	-
Note:	For the following events, the non-volatile, saved position values are automatically reset: - when an encoder replacement has been identified. - when changing the configuration of the Encoder Data Set (EDS). - when adjusting the absolute encoder again				


p2721[0...n]	Load gear rotary absolute encoder revolutions virtual / Abs rot rev		
	Access level: 1	Calculated: -	Data type: Unsigned32
	Can be changed: C(1, 4)	Scaling: -	Dyn. index: DDS, p0180
	Units group: -	Unit selection: -	Func. diagram: -
	Min 0	Max 4194303	Factory setting 0
Description:	Sets the number of rotations that can be resolved for a rotary absolute encoder with activated position tracking of the load gear.		
Dependency:	This parameter is only of significance for an absolute encoder (p0404.1 = 1) with activated position tracking of the load gear (p2720.0 = 1).		
Note:	The resolution that is set must be able to be represented using r2723. For rotary axes/modulo axes, the following applies: This parameter is pre-set with p0421 when activating position tracking and can be changed.		

2 Parameters

2.2 List of parameters

For linear axes, the following applies:

This parameter is pre-assigned with p0421 when activating position tracking, expanded by 6 bits for multiturn information (maximum number of overflows) and cannot be changed.

p2722[0...n]	Load gear position tracking tolerance window / Pos track tol		
Access level: 3	Calculated: -	Data type: FloatingPoint32	
Can be changed: C(1, 4)	Scaling: -	Dyn. index: DDS, p0180	
Units group: -	Unit selection: -	Func. diagram: -	
Min	Max	Factory setting	
0.00	4294967300.00	0.00	
Description:	Sets a tolerance window for position tracking. After the system is powered up, the difference between the saved position and the actual position is determined, and depending on this, the following is initiated: Difference within the tolerance window --> The position is reproduced as a result of the encoder actual value. Difference outside the tolerance window --> An appropriate message is output. Rotation, e.g. through a complete encoder range is not detected.		
Caution:			
			
Note:	The value is entered in integer (complete) encoder pulses. For p2720.0 = 1, the value is automatically pre-assigned quarter of the encoder range. Example: Quarter of the encoder range = (p0408 * p0421) / 4 It is possible that the tolerance window may not be able to be precisely set due to the data type (floating point number with 23 bit mantissa).		

r2723[0...n]	CO: Load gear absolute value / Load gear abs_val		
Access level: 1	Calculated: -	Data type: Unsigned32	
Can be changed: -	Scaling: -	Dyn. index: DDS, p0180	
Units group: -	Unit selection: -	Func. diagram: 4010, 4704	
Min	Max	Factory setting	
-	-	-	
Description:	Displays the absolute value after the load gear.		
Notice:	The encoder position actual value must be requested using the encoder control word Gn_STW.13.		
Note:	The increments are displayed in the format the same as r0483.		

r2724[0...n]	CO: Load gear position difference / Load gear pos diff		
Access level: 1	Calculated: -	Data type: Integer32	
Can be changed: -	Scaling: -	Dyn. index: DDS, p0180	
Units group: -	Unit selection: -	Func. diagram: -	
Min	Max	Factory setting	
-	-	-	
Description:	Displays the position difference before the load gear between powering down and powering up.		
Note:	The increments are displayed in the same format as for r0483/r2723. If the measuring gear of the motor encoder is not activated, the position difference should be read in encoder increments. If the measuring gear of the motor encoder is activated, the position difference is converted using the measuring gear factor.		

p2730[0...3] BI: LR pos. actual value preprocessing activate neg. corr. (edge) / ActV_prep neg corr

CU250S_V (Pos ctrl)	Access level: 1	Calculated: -	Data type: U32 / Binary
CU250S_V_CAN (Pos ctrl)	Can be changed: T	Scaling: -	Dyn. index: -
CU250S_V_DP (Pos ctrl)	Units group: -	Unit selection: -	Func. diagram: 4010, 4015
CU250S_V_PN (Pos ctrl)	Min	Max	Factory setting
	-	-	0

Description: Sets the signal source for the function "activate position actual value preprocessing, negative corrective value (edge)".

0/1 signal:

The correction value available via CI: p2513 is negated and activated.

Index:

[0] = CI-loop pos ctrl

[1] = Encoder 1

[2] = Encoder 2

[3] = Reserved

Dependency:

Refer to: p2502, p2513, r2684

p2731 BI: LR reduce I component / Reduce I comp

CU250S_V (Pos ctrl)	Access level: 1	Calculated: -	Data type: U32 / Binary
CU250S_V_CAN (Pos ctrl)	Can be changed: T	Scaling: -	Dyn. index: -
CU250S_V_DP (Pos ctrl)	Units group: -	Unit selection: -	Func. diagram: 4015
CU250S_V_PN (Pos ctrl)	Min	Max	Factory setting
	-	-	1407.16

Description: Sets the signal source for reducing the I component to zero in the position controller.

BI: p2731 = 1 signal:

The integrator input is set to zero and the integrator content is decreased to zero according to PT1. The PT1 time constant corresponds to the integral time (p2539).

BI: p2731 = 0 signal:

The I component acts according to the set integral time (p2539).

Dependency:

Refer to: p2539, r2559

p2733[0...n] CO: LR encoder adjustment DDS / Enc_adjust DDS

CU250S_V (Pos ctrl)	Access level: 4	Calculated: -	Data type: Unsigned8
CU250S_V_CAN (Pos ctrl)	Can be changed: T	Scaling: -	Dyn. index: EDS, p0140
CU250S_V_DP (Pos ctrl)	Units group: -	Unit selection: -	Func. diagram: 4010
CU250S_V_PN (Pos ctrl)	Min	Max	Factory setting
	0	255	0

Description: Number of the drive data set when adjusting the absolute encoder.

Dependency:

Refer to: p0404, p2507, p2525

Note:

This DDS number is only relevant for absolute encoders.

The drive determines the value when adjusting the absolute encoder and the user should not change it.

DDS: Drive Data Set

p2900[0...n] CO: Fixed value 1 [%] / Fixed value 1 [%]

Access level: 3	Calculated: -	Data type: FloatingPoint32
Can be changed: U, T	Scaling: PERCENT	Dyn. index: DDS, p0180
Units group: -	Unit selection: -	Func. diagram: 1021
Min	Max	Factory setting
-10000.00 [%]	10000.00 [%]	0.00 [%]

Description: Setting and connector output for a fixed percentage value.

Dependency:

Refer to: p2901, r2902, p2930

2 Parameters

2.2 List of parameters

Notice: A BICO interconnection to a parameter that belongs to a drive data set always acts on the effective data set.

Note: The value can be used to interconnect a scaling function (e.g. scaling of the main setpoint)

p2901[0...n]	CO: Fixed value 2 [%] / Fixed value 2 [%]		
Access level: 3	Calculated: -	Data type: FloatingPoint32	
Can be changed: U, T	Scaling: PERCENT	Dyn. index: DDS, p0180	
Units group: -	Unit selection: -	Func. diagram: 1021	
Min	Max	Factory setting	
-10000.00 [%]	10000.00 [%]	0.00 [%]	

Description: Setting and connector output for a fixed percentage value.

Dependency: Refer to: p2900, p2930

Notice: A BICO interconnection to a parameter that belongs to a drive data set always acts on the effective data set.

Note: The value can be used to interconnect a scaling function (e.g. scaling of the supplementary setpoint)

r2902[0...14]	CO: Fixed values [%] / Fixed values [%]		
Access level: 3	Calculated: -	Data type: FloatingPoint32	
Can be changed: -	Scaling: PERCENT	Dyn. index: -	
Units group: -	Unit selection: -	Func. diagram: 1021	
Min	Max	Factory setting	
- [%]	- [%]	- [%]	

Description: Display and connector output for frequently used percentage values.

Index:
[0] = Fixed value +0 %
[1] = Fixed value +5 %
[2] = Fixed value +10 %
[3] = Fixed value +20 %
[4] = Fixed value +50 %
[5] = Fixed value +100 %
[6] = Fixed value +150 %
[7] = Fixed value +200 %
[8] = Fixed value -5 %
[9] = Fixed value -10 %
[10] = Fixed value -20 %
[11] = Fixed value -50 %
[12] = Fixed value -100 %
[13] = Fixed value -150 %
[14] = Fixed value -200 %

Dependency: Refer to: p2900, p2901, p2930

Note: The signal sources can, for example, be used to interconnect scalings.

p2930[0...n]	CO: Fixed value M [Nm] / Fixed value M [Nm]		
Access level: 3	Calculated: -	Data type: FloatingPoint32	
Can be changed: U, T	Scaling: p2003	Dyn. index: DDS, p0180	
Units group: -	Unit selection: -	Func. diagram: 1021	
Min	Max	Factory setting	
-100000.00 [Nm]	100000.00 [Nm]	0.00 [Nm]	

Description: Setting and connector output for a fixed torque value.

Dependency: Refer to: p2900, p2901, r2902

Notice: A BICO interconnection to a parameter that belongs to a drive data set always acts on the effective data set.

Note: The value can, for example, be used to interconnect a supplementary torque.

r2969[0...6]	Direct axis flux model display / Mot Psid trace		
	Access level: 3	Calculated: -	Data type: FloatingPoint32
	Can be changed: -	Scaling: -	Dyn. index: -
	Units group: -	Unit selection: -	Func. diagram: -
	Min	Max	Factory setting
	-	-	-
Description:	Display of the direct axis flux model of the closed-loop controlled reluctance motor for diagnostic purposes:		
	Display of the entered direct axis current id:		
	idx0: current in Arms		
	Display of the saturation curves of the direct axis flux psid(id, iq):		
	idx1: flux in Vs rms with respect to the direct axis current for iq = 0		
	idx2: flux in Vs rms with respect to the direct axis current for iq = 0.5 * p2950		
	idx3: flux in Vs rms with respect to the direct axis current for iq = p2950		
	Displays the relative error of the current inversion(id(psid, iq) - id) / p2950:		
	idx4: error with respect to direct axis current for iq = 0		
	idx5: error with respect to direct axis current for iq = 0.5 * p2950		
	idx6: error with respect to direct axis current for iq = p2950		
Index:	[0] = d-current		
	[1] = d-flux iq0		
	[2] = d-flux iq1		
	[3] = d-flux iq2		
	[4] = d-current error iq0		
	[5] = d-current error iq1		
	[6] = d-current error iq2		
Note:	The display is only generated when the pulses are inhibited.		
p3110	External fault 3 power-up delay / Ext fault 3 t_on		
	Access level: 3	Calculated: -	Data type: Unsigned16
	Can be changed: U, T	Scaling: -	Dyn. index: -
	Units group: -	Unit selection: -	Func. diagram: 2546
	Min	Max	Factory setting
	0 [ms]	1000 [ms]	0 [ms]
Description:	Sets the delay time for external fault 3.		
Dependency:	Refer to: p2108, p3111, p3112		
p3111[0...n]	BI: External fault 3 enable / Ext fault 3 enab		
	Access level: 3	Calculated: -	Data type: U32 / Binary
	Can be changed: U, T	Scaling: -	Dyn. index: CDS, p0170
	Units group: -	Unit selection: -	Func. diagram: -
	Min	Max	Factory setting
	-	-	1
Description:	Sets the signal source for the enable signal of external fault 3.		
	External fault 3 is initiated by the following AND logic operation:		
	- BI: p2108 negated		
	- BI: p3111		
	- BI: p3112 negated		
Dependency:	Refer to: p2108, p3110, p3112		

p3112[0...n]	BI: External fault 3 enable negated / Ext flt 3 enab neg		
	Access level: 3	Calculated: -	Data type: U32 / Binary
	Can be changed: U, T	Scaling: -	Dyn. index: CDS, p0170
	Units group: -	Unit selection: -	Func. diagram: -
	Min	Max	Factory setting
	-	-	0
Description:	Sets the signal source for the negated enable signal of external fault 3. External fault 3 is initiated by the following AND logic operation: - BI: p2108 negated - BI: p3111 - BI: p3112 negated		
Dependency:	Refer to: p2108, p3110, p3111		

r3113.0...15	CO/BO: NAMUR message bit bar / NAMUR bit bar		
	Access level: 3	Calculated: -	Data type: Unsigned16
	Can be changed: -	Scaling: -	Dyn. index: -
	Units group: -	Unit selection: -	Func. diagram: -
	Min	Max	Factory setting
	-	-	-

Description: Display and BICO output for the status of the NAMUR message bit bar.
The faults and alarms are assigned to the appropriate signaling/message classes and influence a specific message bit.

Bit field:	Bit	Signal name	1 signal	0 signal	FP
	00	Fault converter information electronics/software error	Yes	No	-
	01	Network fault	Yes	No	-
	02	DC link overvoltage	Yes	No	-
	03	Fault drive converter power electronics	Yes	No	-
	04	Drive converter overtemperature	Yes	No	-
	05	Ground fault	Yes	No	-
	06	Motor overload	Yes	No	-
	07	Bus error	Yes	No	-
	08	External safety-relevant shutdown	Yes	No	-
	09	Mot encoder fault	Yes	No	-
	10	Error communication internal	Yes	No	-
	11	Fault infeed	Yes	No	-
	15	Other faults	Yes	No	-

Note:

Re bit 00:
Hardware or software malfunction was identified. Carry out a POWER ON of the component involved. If it occurs again, contact the hotline.

Re bit 01:
A line supply fault has occurred (phase failure, voltage level, ...). Check the line supply / fuses. Check the supply voltage. Check the wiring.

Re bit 02:
The DC link voltage has assumed an inadmissibly high value. Check the dimensioning of the system (line supply, reactor, voltages). Check the infeed settings.

Re bit 03:
An inadmissible operating state of the power electronics was identified (overcurrent, overtemperature, IGBT failure, ...). Check that the permissible load cycles are maintained. Check the ambient temperatures (fan).

Re bit 04:
The temperature in the component has exceeded the highest permissible limit. Check the ambient temperature / control cabinet cooling.

Re bit 05:
A ground fault / inter-phase short-circuit was detected in the power cables or in the motor windings. Check the power cable (connection). Check the motor.

Re bit 06:

The motor was operated outside the permissible limits (temperature, current, torque, ...). Check the load cycles and limits that have been set. Check the ambient temperature / motor cooling.

Re bit 07:

The communication to the higher-level control system (internal coupling, PROFIBUS, PROFINET, ...) is faulted or interrupted. Check the state of the higher-level control system. Check the communication connection/wiring. Check the bus configuration / clock cycles.

Re bit 08:

A safety operation monitoring function (Safety) has detected an error.

Re bit 09:

When evaluating the encoder signals (track signals, zero marks, absolute values, ...) an illegal signal state was detected. Check the encoder / state of the encoder signals. Observe the maximum frequencies.

Re bit 10:

The internal communication between the SINAMICS components is faulted or interrupted. Check the DRIVE-CLiQ wiring. Ensure an EMC-compliant design. Observe the maximum permissible quantity structure / clock cycles.

Re bit 11:

The infeed is faulted or has failed. Check the infeed and the surroundings (line supply, filter, reactors, fuses, ...). Check the closed-loop infeed control.

Re bit 15:

Group fault. Determine the precise cause of the fault using the commissioning tool.

r3120[0...63]

Component fault / Comp fault

Access level: 3	Calculated: -	Data type: Integer16
Can be changed: -	Scaling: -	Dyn. index: -
Units group: -	Unit selection: -	Func. diagram: 8060
Min	Max	Factory setting
0	9	-

Description:

Displays the component of the fault which has occurred.

Value:

- 0: No assignment
- 1: Control Unit
- 2: Power Module
- 3: Motor
- 4: Encoder evaluation (terminal)
- 5: Encoder at terminal
- 6: Encoder evaluation (SUB-D)
- 7: Encoder at SUB-D
- 8: Sensor Module (DRIVE-CLiQ)
- 9: Encoder at Sensor Module

Dependency:

Refer to: r0945, r0947, r0948, r0949, r2109, r2130, r2133, r2136, r3122

Note:

The buffer parameters are cyclically updated in the background (refer to status signal in r2139).
The structure of the fault buffer and the assignment of the indices is shown in r0945.

r3121[0...63]

Component alarm / Comp alarm

Access level: 3	Calculated: -	Data type: Integer16
Can be changed: -	Scaling: -	Dyn. index: -
Units group: -	Unit selection: -	Func. diagram: 8065
Min	Max	Factory setting
0	9	-

Description:

Displays the component of the alarm which has occurred.

Value:

- 0: No assignment
- 1: Control Unit
- 2: Power Module
- 3: Motor
- 4: Encoder evaluation (terminal)
- 5: Encoder at terminal
- 6: Encoder evaluation (SUB-D)
- 7: Encoder at SUB-D

2 Parameters

2.2 List of parameters

8: Sensor Module (DRIVE-CLiQ)

9: Encoder at Sensor Module

Dependency: Refer to: r2110, r2122, r2123, r2124, r2125, r2134, r2145, r2146, r3123

Note: The buffer parameters are cyclically updated in the background (refer to status signal in r2139).

The structure of the alarm buffer and the assignment of the indices is shown in r2122.

r3122[0...63]

Diagnostic attribute fault / Diag_attr fault

Access level: 3	Calculated: -	Data type: Unsigned32
Can be changed: -	Scaling: -	Dyn. index: -
Units group: -	Unit selection: -	Func. diagram: 8060
Min	Max	Factory setting
-	-	-

Description: Displays the diagnostic attribute of the fault which has occurred.

Bit field:	Bit	Signal name	1 signal	0 signal	FP
	00	Hardware replacement recommended	Yes	No	-
	15	Message has gone	Yes	No	-
	16	PROFIdrive fault class bit 0	High	Low	-
	17	PROFIdrive fault class bit 1	High	Low	-
	18	PROFIdrive fault class bit 2	High	Low	-
	19	PROFIdrive fault class bit 3	High	Low	-
	20	PROFIdrive fault class bit 4	High	Low	-

Dependency: Refer to: r0945, r0947, r0948, r0949, r2109, r2130, r2133, r2136, r3120

Note: The buffer parameters are cyclically updated in the background (refer to status signal in r2139).

The structure of the fault buffer and the assignment of the indices is shown in r0945.

Re bits 20 ... 16:

Bits 20, 19, 18, 17, 16 = 0, 0, 0, 0, 0 --> PROFIdrive message class 0: not assigned

Bits 20, 19, 18, 17, 16 = 0, 0, 0, 0, 1 --> PROFIdrive message class 1: hardware fault/software error

Bits 20, 19, 18, 17, 16 = 0, 0, 0, 1, 0 --> PROFIdrive message class 2: line fault

Bits 20, 19, 18, 17, 16 = 0, 0, 0, 1, 1 --> PROFIdrive message class 3: supply voltage fault

Bits 20, 19, 18, 17, 16 = 0, 0, 1, 0, 0 --> PROFIdrive message class 4: DC link fault

Bits 20, 19, 18, 17, 16 = 0, 0, 1, 0, 1 --> PROFIdrive message class 5: power electronics faulted

Bits 20, 19, 18, 17, 16 = 0, 0, 1, 1, 0 --> PROFIdrive message class 6: overtemperature electronic components

Bits 20, 19, 18, 17, 16 = 0, 0, 1, 1, 1 --> PROFIdrive message class 7: ground fault/phase fault detected

Bits 20, 19, 18, 17, 16 = 0, 1, 0, 0, 0 --> PROFIdrive message class 8: motor overload

Bits 20, 19, 18, 17, 16 = 0, 1, 0, 0, 1 --> PROFIdrive message class 9: communication error to the higher-level control

Bits 20, 19, 18, 17, 16 = 0, 1, 0, 1, 0 --> PROFIdrive message class 10: safe monitoring channel has identified an error

Bits 20, 19, 18, 17, 16 = 0, 1, 0, 1, 1 --> PROFIdrive message class 11: incorrect position actual value/speed actual value or not available

Bits 20, 19, 18, 17, 16 = 0, 1, 1, 0, 0 --> PROFIdrive message class 12: internal (DRIVE-CLiQ) communication error

Bits 20, 19, 18, 17, 16 = 0, 1, 1, 0, 1 --> PROFIdrive message class 13: infeed unit faulted

Bits 20, 19, 18, 17, 16 = 0, 1, 1, 1, 0 --> PROFIdrive message class 14: braking controller/Braking Module faulted

Bits 20, 19, 18, 17, 16 = 0, 1, 1, 1, 1 --> PROFIdrive message class 15: line filter faulted

Bits 20, 19, 18, 17, 16 = 1, 0, 0, 0, 0 --> PROFIdrive message class 16: external measured value/signal state outside the permissible range

Bits 20, 19, 18, 17, 16 = 1, 0, 0, 0, 1 --> PROFIdrive message class 17: application/technology function faulted

Bits 20, 19, 18, 17, 16 = 1, 0, 0, 1, 0 --> PROFIdrive message class 18: error in the parameterization/configuration/commissioning sequence

Bits 20, 19, 18, 17, 16 = 1, 0, 0, 1, 1 --> PROFIdrive message class 19: general drive fault

r3123[0...63]	Diagnostic attribute alarm / Diag_attr alarm				
	Access level: 3	Calculated: -	Data type: Unsigned32		
	Can be changed: -	Scaling: -	Dyn. index: -		
	Units group: -	Unit selection: -	Func. diagram: 8065		
	Min	Max	Factory setting		
	-	-	-		
Description:	Displays the diagnostic attribute of the alarm which has occurred.				
Bit field:	Bit	Signal name	1 signal	0 signal	FP
	00	Hardware replacement recommended	Yes	No	-
	11	Alarm class bit 0	High	Low	-
	12	Alarm class bit 1	High	Low	-
	13	Maintenance required	Yes	No	-
	14	Maintenance urgently required	Yes	No	-
	15	Message has gone	Yes	No	-
	16	PROFIdrive fault class bit 0	High	Low	-
	17	PROFIdrive fault class bit 1	High	Low	-
	18	PROFIdrive fault class bit 2	High	Low	-
	19	PROFIdrive fault class bit 3	High	Low	-
	20	PROFIdrive fault class bit 4	High	Low	-
Dependency:	Refer to: r2110, r2122, r2123, r2124, r2125, r2134, r2145, r2146, r3121				
Note:	The buffer parameters are cyclically updated in the background (refer to status signal in r2139). The structure of the alarm buffer and the assignment of the indices is shown in r2122. Re bit 12, 11: These status bits are used for the classification of internal alarm classes and are intended for diagnostic purposes only on certain automation systems with integrated SINAMICS functionality. Re bits 20 ... 16: Bits 20, 19, 18, 17, 16 = 0, 0, 0, 0, 0 --> PROFIdrive message class 0: not assigned Bits 20, 19, 18, 17, 16 = 0, 0, 0, 0, 1 --> PROFIdrive message class 1: hardware fault/software error Bits 20, 19, 18, 17, 16 = 0, 0, 0, 1, 0 --> PROFIdrive message class 2: line fault Bits 20, 19, 18, 17, 16 = 0, 0, 0, 1, 1 --> PROFIdrive message class 3: supply voltage fault Bits 20, 19, 18, 17, 16 = 0, 0, 1, 0, 0 --> PROFIdrive message class 4: DC link fault Bits 20, 19, 18, 17, 16 = 0, 0, 1, 0, 1 --> PROFIdrive message class 5: power electronics faulted Bits 20, 19, 18, 17, 16 = 0, 0, 1, 1, 0 --> PROFIdrive message class 6: overtemperature electronic components Bits 20, 19, 18, 17, 16 = 0, 0, 1, 1, 1 --> PROFIdrive message class 7: ground fault/phase fault detected Bits 20, 19, 18, 17, 16 = 0, 1, 0, 0, 0 --> PROFIdrive message class 8: motor overload Bits 20, 19, 18, 17, 16 = 0, 1, 0, 0, 1 --> PROFIdrive message class 9: communication error to the higher-level control Bits 20, 19, 18, 17, 16 = 0, 1, 0, 1, 0 --> PROFIdrive message class 10: safe monitoring channel has identified an error Bits 20, 19, 18, 17, 16 = 0, 1, 0, 1, 1 --> PROFIdrive message class 11: incorrect position actual value/speed actual value or not available Bits 20, 19, 18, 17, 16 = 0, 1, 1, 0, 0 --> PROFIdrive message class 12: internal (DRIVE-CLiQ) communication error Bits 20, 19, 18, 17, 16 = 0, 1, 1, 0, 1 --> PROFIdrive message class 13: infeed unit faulted Bits 20, 19, 18, 17, 16 = 0, 1, 1, 1, 0 --> PROFIdrive message class 14: braking controller/Braking Module faulted Bits 20, 19, 18, 17, 16 = 0, 1, 1, 1, 1 --> PROFIdrive message class 15: line filter faulted Bits 20, 19, 18, 17, 16 = 1, 0, 0, 0, 0 --> PROFIdrive message class 16: external measured value/signal state outside the permissible range Bits 20, 19, 18, 17, 16 = 1, 0, 0, 0, 1 --> PROFIdrive message class 17: application/technology function faulted Bits 20, 19, 18, 17, 16 = 1, 0, 0, 1, 0 --> PROFIdrive message class 18: error in the parameterization/configuration/commissioning sequence Bits 20, 19, 18, 17, 16 = 1, 0, 0, 1, 1 --> PROFIdrive message class 19: general drive fault				

2 Parameters

2.2 List of parameters

r3131	CO: Actual fault value / Act fault val		
	Access level: 3	Calculated: -	Data type: Integer32
	Can be changed: -	Scaling: -	Dyn. index: -
	Units group: -	Unit selection: -	Func. diagram: 8060
	Min	Max	Factory setting
	-	-	-
Description:	Displays the fault value of the oldest active fault.		
Dependency:	Refer to: r2131, r3132		
r3132	CO: Actual component number / Comp_no act		
	Access level: 3	Calculated: -	Data type: Integer32
	Can be changed: -	Scaling: -	Dyn. index: -
	Units group: -	Unit selection: -	Func. diagram: 8060
	Min	Max	Factory setting
	-	-	-
Description:	Displays the component number of the oldest fault that is still active.		
Dependency:	Refer to: r2131, r3131		
p3230[0...n]	CI: Load monitoring speed actual value / Load monit n_act		
	Access level: 3	Calculated: -	Data type: U32 / FloatingPoint32
	Can be changed: T	Scaling: p2000	Dyn. index: CDS, p0170
	Units group: -	Unit selection: -	Func. diagram: 8012, 8013
	Min	Max	Factory setting
	-	-	0
Description:	Sets the signal source for the speed actual value of the load monitoring.		
Dependency:	Refer to: r2169, p2181, p2192, p2193, p3231		
Note:	The parameter is only effective for p2193 = 2.		
p3231[0...n]	Load monitoring speed deviation / Load monit n_dev		
CU250S_V (Ext msg)	Access level: 3	Calculated: -	Data type: FloatingPoint32
CU250S_V_CAN (Ext msg)	Can be changed: U, T	Scaling: -	Dyn. index: DDS, p0180
CU250S_V_DP (Ext msg)	Units group: 3_1	Unit selection: p0505	Func. diagram: 8013
CU250S_V_PN (Ext msg)	Min	Max	Factory setting
	0.00 [rpm]	210000.00 [rpm]	150.00 [rpm]
Description:	Sets the permissible speed deviation during load monitoring (for p2193 = 2).		
Dependency:	Refer to: r2169, p2181, p2193, p3230		
p3232[0...n]	BI: Load monitoring failure detection / Load_moni fail_det		
	Access level: 3	Calculated: -	Data type: U32 / Binary
	Can be changed: U, T	Scaling: -	Dyn. index: CDS, p0170
	Units group: -	Unit selection: -	Func. diagram: 8013
	Min	Max	Factory setting
	-	-	1
Description:	Sets the signal source for detecting a failure.		
Dependency:	Refer to: p2192, p2193		
Note:	Monitoring is triggered with a 0 signal, as soon as the time in p2192 has expired.		

p3233[0...n]	Torque actual value filter time constant / M_act_filt T		
CU250S_V (Ext msg)	Access level: 3	Calculated: -	Data type: FloatingPoint32
CU250S_V_CAN (Ext msg)	Can be changed: U, T	Scaling: -	Dyn. index: DDS, p0180
CU250S_V_DP (Ext msg)	Units group: -	Unit selection: -	Func. diagram: 8013
CU250S_V_PN (Ext msg)	Min	Max	Factory setting
	0 [ms]	1000000 [ms]	100 [ms]

Description: Sets the time constant for the PT1 element to smooth the torque actual value.
The smoothed torque actual value is compared with the threshold values and is only used for messages and signals.

p3235	Phase failure signal motor monitoring time / Ph_fail t_monit		
	Access level: 4	Calculated: -	Data type: FloatingPoint32
	Can be changed: U, T	Scaling: -	Dyn. index: -
	Units group: -	Unit selection: -	Func. diagram: -
	Min	Max	Factory setting
	0 [ms]	2000 [ms]	320 [ms]

Description: Sets the monitoring time for phase failure detection of the motor.
Notice: After the value has been modified, no further parameter modifications can be made and the status is shown in r3996. Modifications can be made again when r3996 = 0.
Note: For p3235 = 0 the function is deactivated.
The monitoring is automatically de-activated during the flying restart operation for a motor that is still rotating. 3-phase phase failures cannot be detected and are indicated by other messages (e.g. F07902).

p3320[0...n]	Fluid flow machine power point 1 / Fluid_mach P1		
	Access level: 2	Calculated: -	Data type: FloatingPoint32
	Can be changed: U, T	Scaling: -	Dyn. index: DDS, p0180
	Units group: -	Unit selection: -	Func. diagram: -
	Min	Max	Factory setting
	0.00	100.00	25.00

Description: For the energy-saving display of a fluid-flow machine, a typical flow characteristic $P = f(n)$ with 5 points along the characteristic is required.
This parameter specifies the power (P) of point 1 as a [%].
The characteristic comprises the following value pairs:
Power (P) / speed (n)
p3320 / p3321 --> point 1 (P1 / n1)
p3322 / p3323 --> point 2 (P2 / n2)
p3324 / p3325 --> point 3 (P3 / n3)
p3326 / p3327 --> point 4 (P4 / n4)
p3328 / p3329 --> point 5 (P5 / n5)
Dependency: Refer to: r0041, p3321, p3322, p3323, p3324, p3325, p3326, p3327, p3328, p3329
Note: The reference value for power and speed is the rated power/rated speed.
The energy saved is displayed in r0041.

p3321[0...n]	Fluid flow machine speed point 1 / Fluid_mach n1		
	Access level: 2	Calculated: -	Data type: FloatingPoint32
	Can be changed: U, T	Scaling: -	Dyn. index: DDS, p0180
	Units group: -	Unit selection: -	Func. diagram: -
	Min	Max	Factory setting
	0.00	100.00	0.00

Description: For the energy-saving display of a fluid-flow machine, a typical flow characteristic $P = f(n)$ with 5 points along the characteristic is required.
This parameter specifies the speed (n) of point 1 as a [%].

2 Parameters

2.2 List of parameters

The characteristic comprises the following value pairs:

Power (P) / speed (n)

p3320 / p3321 --> point 1 (P1 / n1)

p3322 / p3323 --> point 2 (P2 / n2)

p3324 / p3325 --> point 3 (P3 / n3)

p3326 / p3327 --> point 4 (P4 / n4)

p3328 / p3329 --> point 5 (P5 / n5)

Dependency: Refer to: r0041, p3320, p3322, p3323, p3324, p3325, p3326, p3327, p3328, p3329

Note: The reference value for power and speed is the rated power/rated speed.

The energy saved is displayed in r0041.

p3322[0...n]

Fluid flow machine power point 2 / Fluid_mach P2

Access level: 2

Calculated: -

Data type: FloatingPoint32

Can be changed: U, T

Scaling: -

Dyn. index: DDS, p0180

Units group: -

Unit selection: -

Func. diagram: -

Min

Max

Factory setting

0.00

100.00

50.00

Description: For the energy-saving display of a fluid-flow machine, a typical flow characteristic $P = f(n)$ with 5 points along the characteristic is required.

This parameter specifies the power (P) of point 2 as a [%].

Dependency: Refer to: r0041, p3320, p3321, p3323, p3324, p3325, p3326, p3327, p3328, p3329

Note: The reference value for power and speed is the rated power/rated speed.

The energy saved is displayed in r0041.

p3323[0...n]

Fluid flow machine speed point 2 / Fluid_mach n2

Access level: 2

Calculated: -

Data type: FloatingPoint32

Can be changed: U, T

Scaling: -

Dyn. index: DDS, p0180

Units group: -

Unit selection: -

Func. diagram: -

Min

Max

Factory setting

0.00

100.00

25.00

Description: For the energy-saving display of a fluid-flow machine, a typical flow characteristic $P = f(n)$ with 5 points along the characteristic is required.

This parameter specifies the speed (n) of point 2 as a [%].

Dependency: Refer to: r0041, p3320, p3321, p3322, p3324, p3325, p3326, p3327, p3328, p3329

Note: The reference value for power and speed is the rated power/rated speed.

The energy saved is displayed in r0041.

p3324[0...n]

Fluid flow machine power point 3 / Fluid_mach P3

Access level: 2

Calculated: -

Data type: FloatingPoint32

Can be changed: U, T

Scaling: -

Dyn. index: DDS, p0180

Units group: -

Unit selection: -

Func. diagram: -

Min

Max

Factory setting

0.00

100.00

77.00

Description: For the energy-saving display of a fluid-flow machine, a typical flow characteristic $P = f(n)$ with 5 points along the characteristic is required.

This parameter specifies the power (P) of point 3 as a [%].

Dependency: Refer to: r0041, p3320, p3321, p3322, p3323, p3325, p3326, p3327, p3328, p3329

Note: The reference value for power and speed is the rated power/rated speed.

The energy saved is displayed in r0041.

p3325[0...n]	Fluid flow machine speed point 3 / Fluid_mach n3		
	Access level: 2	Calculated: -	Data type: FloatingPoint32
	Can be changed: U, T	Scaling: -	Dyn. index: DDS, p0180
	Units group: -	Unit selection: -	Func. diagram: -
	Min	Max	Factory setting
	0.00	100.00	50.00
Description:	For the energy-saving display of a fluid-flow machine, a typical flow characteristic $P = f(n)$ with 5 points along the characteristic is required. This parameter specifies the speed (n) of point 3 as a [%].		
Dependency:	Refer to: r0041, p3320, p3321, p3322, p3323, p3324, p3326, p3327, p3328, p3329		
Note:	The reference value for power and speed is the rated power/rated speed. The energy saved is displayed in r0041.		
p3326[0...n]	Fluid flow machine power point 4 / Fluid_mach P4		
	Access level: 2	Calculated: -	Data type: FloatingPoint32
	Can be changed: U, T	Scaling: -	Dyn. index: DDS, p0180
	Units group: -	Unit selection: -	Func. diagram: -
	Min	Max	Factory setting
	0.00	100.00	92.00
Description:	For the energy-saving display of a fluid-flow machine, a typical flow characteristic $P = f(n)$ with 5 points along the characteristic is required. This parameter specifies the power (P) of point 4 as a [%].		
Dependency:	Refer to: r0041, p3320, p3321, p3322, p3323, p3324, p3325, p3327, p3328, p3329		
Note:	The reference value for power and speed is the rated power/rated speed. The energy saved is displayed in r0041.		
p3327[0...n]	Fluid flow machine speed point 4 / Fluid_mach n4		
	Access level: 2	Calculated: -	Data type: FloatingPoint32
	Can be changed: U, T	Scaling: -	Dyn. index: DDS, p0180
	Units group: -	Unit selection: -	Func. diagram: -
	Min	Max	Factory setting
	0.00	100.00	75.00
Description:	For the energy-saving display of a fluid-flow machine, a typical flow characteristic $P = f(n)$ with 5 points along the characteristic is required. This parameter specifies the speed (n) of point 4 as a [%].		
Dependency:	Refer to: r0041, p3320, p3321, p3322, p3323, p3324, p3325, p3326, p3328, p3329		
Note:	The reference value for power and speed is the rated power/rated speed. The energy saved is displayed in r0041.		
p3328[0...n]	Fluid flow machine power point 5 / Fluid_mach P5		
	Access level: 2	Calculated: -	Data type: FloatingPoint32
	Can be changed: U, T	Scaling: -	Dyn. index: DDS, p0180
	Units group: -	Unit selection: -	Func. diagram: -
	Min	Max	Factory setting
	0.00	100.00	100.00
Description:	For the energy-saving display of a fluid-flow machine, a typical flow characteristic $P = f(n)$ with 5 points along the characteristic is required. This parameter specifies the power (P) of point 5 as a [%].		
Dependency:	Refer to: r0041, p3320, p3321, p3322, p3323, p3324, p3325, p3326, p3327, p3329		
Note:	The reference value for power and speed is the rated power/rated speed. The energy saved is displayed in r0041.		

2 Parameters

2.2 List of parameters

p3329[0...n]	Fluid flow machine speed point 5 / Fluid_mach n5		
Access level: 2	Calculated: -	Data type: FloatingPoint32	
Can be changed: U, T	Scaling: -	Dyn. index: DDS, p0180	
Units group: -	Unit selection: -	Func. diagram: -	
Min	Max	Factory setting	
0.00	100.00	100.00	
Description:	For the energy-saving display of a fluid-flow machine, a typical flow characteristic $P = f(n)$ with 5 points along the characteristic is required. This parameter specifies the speed (n) of point 5 as a [%].		
Dependency:	Refer to: r0041, p3320, p3321, p3322, p3323, p3324, p3325, p3326, p3327, p3328		
Note:	The reference value for power and speed is the rated power/rated speed. The energy saved is displayed in r0041.		

p3330[0...n]	BI: 2/3 wire control command 1 / 2/3 wire cmd 1		
Access level: 3	Calculated: -	Data type: U32 / Binary	
Can be changed: U, T	Scaling: -	Dyn. index: CDS, p0170	
Units group: -	Unit selection: -	Func. diagram: 2272, 2273	
Min	Max	Factory setting	
-	-	0	
Description:	Sets the signal source for command 1 for the two-wire control/three-wire control.		
Dependency:	Refer to: p0015, p3331, p3332, r3333, p3334		
Note:	The mode of operation of this binector input is dependent on the wire control set in p0015.		

p3331[0...n]	BI: 2/3 wire control command 2 / 2/3 wire cmd 2		
Access level: 3	Calculated: -	Data type: U32 / Binary	
Can be changed: U, T	Scaling: -	Dyn. index: CDS, p0170	
Units group: -	Unit selection: -	Func. diagram: 2272, 2273	
Min	Max	Factory setting	
-	-	0	
Description:	Sets the signal source for command 2 for the two-wire control/three-wire control.		
Dependency:	Refer to: p0015, p3330, p3332, r3333, p3334		
Note:	The mode of operation of this binector input is dependent on the wire control set in p0015.		

p3332[0...n]	BI: 2/3 wire control command 3 / 2/3 wire cmd 3		
Access level: 3	Calculated: -	Data type: U32 / Binary	
Can be changed: U, T	Scaling: -	Dyn. index: CDS, p0170	
Units group: -	Unit selection: -	Func. diagram: 2273	
Min	Max	Factory setting	
-	-	0	
Description:	Sets the signal source for command 3 for the two-wire control/three-wire control.		
Dependency:	Refer to: p0015, p3330, p3331, r3333, p3334		
Note:	The mode of operation of this binector input is dependent on the wire control set in p0015.		

r3333.0...3	CO/BO: 2/3 wire control control word / 2/3 wire STW		
Access level: 3	Calculated: -	Data type: Unsigned32	
Can be changed: -	Scaling: -	Dyn. index: -	
Units group: -	Unit selection: -	Func. diagram: 2272, 2273	
Min	Max	Factory setting	
-	-	-	
Description:	Displays the control word for the two wire control/three wire control. The control signals are dependent on the wire control set in p0015 and the signal states at the digital inputs.		

Bit field:	Bit	Signal name	1 signal	0 signal	FP
	00	ON	Yes	No	-
	01	Reversing	Yes	No	-
	02	ON inverted	Yes	No	-
	03	Reversing inverted	Yes	No	-

Dependency: Refer to: p0015, p3330, p3331, p3332, p3334

p3334 2/3 wire control selection / 2/3 wire select

Access level: 4	Calculated: -	Data type: Integer16
Can be changed: U, T	Scaling: -	Dyn. index: -
Units group: -	Unit selection: -	Func. diagram: 2272, 2273
Min	Max	Factory setting
0	4	0

Description: Sets the two wire control/three wire control.

Value:

- 0: No wire control
- 1: Two wire control clockwise/counterclockwise 1
- 2: Two wire control clockwise/counterclockwise 2
- 3: Three wire control enable clockwise/counterclockwise
- 4: Three wire control enable ON/reversing

Dependency: Refer to: p0015, p3330, p3331, p3332, r3333

Note: This value depends on the wire control set in p0015.

p3856[0...n] Compound braking current / Compound I_brake

PM240	Access level: 3	Calculated: -	Data type: FloatingPoint32
	Can be changed: U, T	Scaling: PERCENT	Dyn. index: DDS, p0180
	Units group: -	Unit selection: -	Func. diagram: -
	Min	Max	Factory setting
	0.00 [%]	250.00 [%]	0.00 [%]

Description: Compound braking current is used to define the amount of DC current that is produced on stopping the motor during U/f operation to further increase the DC brake function.

Compound braking is a superimposition of the DC brake function with regenerative braking (net braking along the ramp) after OFF1 or OFF3. This permits braking with controlled motor frequency and minimum power input into the motor.

Effective braking without using additional hardware components is obtained by optimizing the ramp down time and compound braking.

Dependency: The compound braking current is only activated if the DC link voltage exceeds the threshold value in r1282.

Compound braking does not operate in the following cases:

- DC braking activated (p1230, r1239).
- motor is still not magnetized (e.g. for flying restart).
- vector control parameterized (p1300 >= 20).
- synchronous motor used (p0300 = 2xx).

Notice: Generally, increasing the braking current improves the braking effect when stopping the motor. However, if the value is set too high, then the drive can be tripped (shut down) as a result of overcurrent or ground fault.

Recommendation: $p3856 < 100 \% \times (r0209 - r0331) / p0305 / 2$

Compound braking generates a current in the motor with a ripple manifesting the rotational frequency. The higher the braking current is set, the higher the resulting ripple, especially when the Vdc_max control is simultaneously active (refer to p1280).

Note: The parameter value is entered relative to the rated motor current (p0305).

Compound braking is deactivated with p3856 = 0%.

r3859.0	CO/BO: Compound braking/DC quantity control status word / Comp-br/DC_ctr ZSW				
PM240	Access level: 3	Calculated: -	Data type: Unsigned32		
	Can be changed: -	Scaling: -	Dyn. index: -		
	Units group: -	Unit selection: -	Func. diagram: 6797		
	Min	Max	Factory setting		
	-	-	-		
Description:	Display and connector output for the status word of the compound braking and DC quantity control.				
Bit field:	Bit	Signal name	1 signal	0 signal	FP
	00	Compound braking active	Yes	No	-
Dependency:	Refer to: p3856				

p3870	Long stator configuration / Long stator config				
	Access level: 3	Calculated: -	Data type: Unsigned16		
	Can be changed: U, T	Scaling: -	Dyn. index: -		
	Units group: -	Unit selection: -	Func. diagram: -		
	Min	Max	Factory setting		
	-	-	0000 bin		
Description:	Sets the configuration when operating a long stator motor.				
Bit field:	Bit	Signal name	1 signal	0 signal	FP
	00	Activate long stator help functions	Active	Inactive	-
	01	Suppress Gx_ZSW.14	Active	Inactive	-
Notice:	The following restrictions apply to this function: - it is not permissible to change over the drive data set. - the encoder/drive may not be parked using a PROFIBUS telegram. - a maximum of 4 drives may be connected to the Control Unit. - it is not permissible to commutate with the zero mark (p0404).				
Note:	Re bit 00: All of the help functions for long stator motors can be enabled/disabled using this bit. Re bit 01: When the bit is set, bit 14 (parking encoder active) is set to 0 in the encoder status word GX_ZSW independent of whether the encoder is parked or not.				

p3900	Completion of quick commissioning / Compl quick_comm			
	Access level: 1	Calculated: -	Data type: Integer16	
	Can be changed: C(1)	Scaling: -	Dyn. index: -	
	Units group: -	Unit selection: -	Func. diagram: -	
	Min	Max	Factory setting	
	0	3	0	
Description:	Exits quick commissioning (p0010 = 1) with automatic calculation of all parameters of all existing drive data sets that depend on the entries made during quick commissioning. p3900 = 1 initially includes a parameter reset (factory setting, the same as p0970 = 1) for all parameters of the drive object; however, without overwriting the entries made during the quick commissioning. The interconnections of PROFIBUS PZD telegram selection (p0922) and the interconnections via p15 and p1500 are re-established and all of the dependent motor, open-loop and control-loop control parameters are calculated (corresponding to p0340 = 1). p3900 = 2 includes the restoration of the interconnections of PROFIBUS PZD telegram selection (p0922) and the interconnections via p15 and p1500 and the calculations corresponding to p0340 = 1. p3900 = 3 only includes the calculations associated with the motor, open-loop and closed-loop control parameters corresponding to p0340 = 1.			
Value:	0: No quick parameterization 1: Quick parameterization after parameter reset 2: Quick parameterization (only) for BICO and motor parameters 3: Quick parameterization for motor parameters (only)			
Notice:	After the value has been modified, no further parameter modifications can be made and the status is shown in r3996. Modifications can be made again when r3996 = 0.			

Note: When the calculations have been completed, p3900 and p0010 are automatically reset to a value of zero.
 When calculating motor, open-loop and closed-loop control parameters (such as for p0340 = 1) parameters associated with a selected Siemens catalog motor are not overwritten.
 If a catalog motor has not been selected (p0300), then the following parameters are reset with p3900 > 0 in order to restore the situation that applied when commissioning the drive for the first time:
 induction motor: p0320, p0352, p0362 ... p0369, p0604, p0605, p0626 ... p0628
 synchronous motor: p0326, p0327, p0352, p0604, p0605

r3925[0...n] Identification final display / Ident final_disp

Access level: 3	Calculated: p0340 = 1	Data type: Unsigned32
Can be changed: -	Scaling: -	Dyn. index: DDS, p0180
Units group: -	Unit selection: -	Func. diagram: -
Min	Max	Factory setting
-	-	-

Description: Displays the commissioning steps that have been carried out.

Bit field:	Bit	Signal name	1 signal	0 signal	FP
	00	Motor/control parameters calculated (p0340 = 1, p3900 > 0)	Yes	No	-
	02	Motor data identification carried out at standstill (p1910 = 1)	Yes	No	-
	03	Rotating measurement carried out (p1960 = 1, 2)	Yes	No	-
	08	Motor identification data have been automatically backed up	Yes	No	-
	15	Motor equivalent circuit diagram parameters changed	Yes	No	-

Note: The individual bits are only set if the appropriate action has been initiated and successfully completed.
 When motor rating plate parameters are changed, the final display is reset.

r3926[0...n] Voltage generation alternating base voltage amplitude / U_gen altern base

Access level: 4	Calculated: -	Data type: FloatingPoint32
Can be changed: -	Scaling: -	Dyn. index: MDS
Units group: -	Unit selection: -	Func. diagram: -
Min	Max	Factory setting
- [V]	- [V]	- [V]

Description: Displays the base voltage for the alternating voltage in the context of motor data identification.
 0:
 No alternating voltages. The function is de-activated.
 <0:
 Automatic determination of the base voltage and wobulation / self-setting based on the converter and the connected motor.
 Otherwise:
 Base voltage for alternating current generation in volts (wobulation active).

r3927[0...n] Motor data identification control word / MotID STW

Access level: 3	Calculated: p0340 = 1	Data type: Unsigned32
Can be changed: -	Scaling: -	Dyn. index: DDS, p0180
Units group: -	Unit selection: -	Func. diagram: -
Min	Max	Factory setting
-	-	-

Description: Successfully completed component of the last motor data identification carried out.

Bit field:	Bit	Signal name	1 signal	0 signal	FP
	00	Stator inductance estimate no measurement	Yes	No	-
	02	Rotor time constant estimate no measurement	Yes	No	-

2 Parameters

2.2 List of parameters

03	Leakage inductance estimate no measurement	Yes	No	-
05	Determine Tr and Lsig evaluation in the time range	Yes	No	-
06	Activate vibration damping	Yes	No	-
07	De-activate vibration detection	Yes	No	-
11	De-activate pulse measurement Lq Ld	Yes	No	-
12	De-activate rotor resistance Rr measurement	Yes	No	-
14	De-activate valve interlocking time measurement	Yes	No	-
15	Determine only stator resistance, valve voltage fault, dead time	Yes	No	-
16	Short motor identification (lower quality)	Yes	No	-
17	Measurement without control parameter calculation	Yes	No	-
18	After motID direct transition into operation	Yes	No	-
19	After MotID automatically save results	Yes	No	-
20	Estimate cable resistance	Yes	No	-
21	Calibrating the output voltage measurement	Yes	No	-

Dependency: Refer to: r3925

Note: The parameter is a copy of p1909.

r3928[0...n] Rotating measurement configuration / Rot meas config

Access level: 3	Calculated: p0340 = 1	Data type: Unsigned16
Can be changed: -	Scaling: -	Dyn. index: DDS, p0180
Units group: -	Unit selection: -	Func. diagram: -
Min	Max	Factory setting
-	-	-

Description: Successfully completed component of the last rotating measurement carried out.

Bit field:	Bit	Signal name	1 signal	0 signal	FP
	01	Saturation characteristic identification	Yes	No	-
	02	Moment of inertia identification	Yes	No	-
	03	Re-calculates the speed controller parameters	Yes	No	-
	04	Speed controller optimization (vibration test)	Yes	No	-
	05	q leakage inductance ident. (for current controller adaptation)	Yes	No	-
	11	Do not change the controller parameters during the measurement	Yes	No	-
	12	Measurement shortened	Yes	No	-
	13	After measurement direct transition into operation	Yes	No	-

Dependency: Refer to: r3925

Note: The parameter is a copy of p1959.

r3929[0...n] Motor data identification modulated voltage generation / MotID U_gen mod

Access level: 4	Calculated: p0340 = 1	Data type: Unsigned32
Can be changed: -	Scaling: -	Dyn. index: DDS, p0180
Units group: -	Unit selection: -	Func. diagram: -
Min	Max	Factory setting
-	-	-

Description: Configuration of voltage generation for the various MotID sections in the case of the most recent successful MotID.

Bit field:	Bit	Signal name	1 signal	0 signal	FP
	00	Wobble U_generate to determine dead-time correction	Yes	No	-
	01	Wobble U_generate to determine stator resistance	Yes	No	-
	02	Wobble U_generation to determine rotor time constant	Yes	No	-

03	Wobble U_generation to determine leakage inductance	Yes	No	-
04	Wobble U_generation to determine dynamic leakage inductance	Yes	No	-
05	Wobble U_generation to determine magnetizing inductance	Yes	No	-
08	Alternating U_generate to determine dead-time correction	Yes	No	-
09	Alternating U_generate to determine stator resistance	Yes	No	-
10	Alternating U_generate to determine rotor time constant	Yes	No	-
11	Alternating U_generate to determine leakage inductance	Yes	No	-
12	Alternating U_generate to determine dyn. leakage inductance	Yes	No	-
13	Alternating U_generate to determine magnetizing inductance	Yes	No	-

r3930[0...4] Power unit EEPROM characteristics / PU characteristics

Access level: 3	Calculated: -	Data type: Unsigned16
Can be changed: -	Scaling: -	Dyn. index: -
Units group: -	Unit selection: -	Func. diagram: -
Min	Max	Factory setting
-	-	-

Description: Displays the characteristics (A5E number and versions) of the power unit.
 [0]: A5E number xxxx (A5Exxxxxyyy)
 [1]: A5E number yyyy (A5Exxxxxyyy)
 [2]: File version (logistic)
 [3]: File version (fixed data)
 [4]: File version (calib data)

p3950 Service parameter / Serv par

Access level: 3	Calculated: -	Data type: Unsigned16
Can be changed: C, U, T	Scaling: -	Dyn. index: -
Units group: -	Unit selection: -	Func. diagram: -
Min	Max	Factory setting
-	-	-

Description: For service personnel only.

r3960[0...1] Control Unit temperature measured / CU temp measured

Access level: 3	Calculated: -	Data type: FloatingPoint32
Can be changed: -	Scaling: p2006	Dyn. index: -
Units group: -	Unit selection: -	Func. diagram: -
Min	Max	Factory setting
- [°C]	- [°C]	- [°C]

Description: Displays the measured Control Unit temperature.
 An appropriate message is output when 87 °C is exceeded.


Index: [0] = Actual measured value
 [1] = Maximum measured value

Note: The value of -200 indicates that there is no measuring signal.
 Re r3960[0]: Displays the currently measured Control Unit temperature.
 Re r3960[1]: Displays the highest measured Control Unit temperature. This value is saved on the module in a non-volatile fashion.

r3974	Drive unit status word / Drv_unit ZSW				
	Access level: 1	Calculated: -	Data type: Unsigned32		
	Can be changed: -	Scaling: -	Dyn. index: -		
	Units group: -	Unit selection: -	Func. diagram: -		
	Min	Max	Factory setting		
	-	-	-		
Description:	Displays the status word for the drive unit.				
Bit field:	Bit	Signal name	1 signal	0 signal	FP
	00	Software reset active	Yes	No	-
	01	Writing of parameters disabled as parameter save in progress	Yes	No	-
	02	Writing of parameters disabled as macro is running	Yes	No	-

r3978	BICO CounterDevice / BICO CounterDevice			
	Access level: 4	Calculated: -	Data type: Unsigned32	
	Can be changed: -	Scaling: -	Dyn. index: -	
	Units group: -	Unit selection: -	Func. diagram: -	
	Min	Max	Factory setting	
	-	-	-	
Description:	Displays the counter reading for modified BICO interconnections on this device. The counter is incremented by one for each modified BICO interconnection.			

p3981	Faults acknowledge drive object / Faults ackn DO			
	Access level: 3	Calculated: -	Data type: Unsigned8	
	Can be changed: U, T	Scaling: -	Dyn. index: -	
	Units group: -	Unit selection: -	Func. diagram: 8060	
	Min	Max	Factory setting	
	0	1	0	
Description:	Setting to acknowledge all active faults of a drive object.			
Notice:	Safety messages cannot be acknowledged using this parameter.			
Note:	Parameter should be set from 0 to 1 to acknowledge. After acknowledgement, the parameter is automatically reset to 0.			

p3985	Master control mode selection / PcCtrl mode select			
	Access level: 3	Calculated: -	Data type: Integer16	
	Can be changed: U, T	Scaling: -	Dyn. index: -	
	Units group: -	Unit selection: -	Func. diagram: -	
	Min	Max	Factory setting	
	0	1	0	
Description:	Sets the mode to change over the master control / LOCAL mode.			
Value:	0: Change master control for STW1.0 = 0 1: Change master control in operation			
Danger:	When changing the master control in operation, the drive can manifest undesirable behavior - e.g. it can accelerate up to another setpoint.			
				

r3986	Parameter count / Parameter No.		
	Access level: 3	Calculated: -	Data type: Unsigned16
	Can be changed: -	Scaling: -	Dyn. index: -
	Units group: -	Unit selection: -	Func. diagram: -
	Min	Max	Factory setting
	-	-	-
Description:	Displays the number of parameters for this drive unit. The number comprises the device-specific and the drive-specific parameters.		
Dependency:	Refer to: r0980, r0981, r0989		

r3988[0...1]	Boot state / Boot_state		
	Access level: 4	Calculated: -	Data type: Integer16
	Can be changed: -	Scaling: -	Dyn. index: -
	Units group: -	Unit selection: -	Func. diagram: -
	Min	Max	Factory setting
	0	10800	-
Description:	Index 0: Displays the boot state. Index 1: Displays the partial boot state		
Value:	0: Not active 1: Fatal fault 10: Fault 20: Reset all parameters 30: Drive object modified 40: Download using commissioning software 50: Parameter download using commissioning software 90: Reset Control Unit 100: Start initialization 101: Only for internal Siemens use 110: Instantiate Control Unit basis 111: Insert drive object 112: Only for internal Siemens use 113: Only for internal Siemens use 114: Only for internal Siemens use 115: Parameter download using commissioning software 117: Only for internal Siemens use 150: Wait until Power Module is determined 160: Evaluate Power Module 170: Instantiate Control Unit reset 180: Only for internal Siemens use 200: First commissioning 210: Create drive packages 250: Wait for fault acknowledge 325: Wait for input of drive type 350: Determine drive type 360: Only for internal Siemens use 370: Wait until p0010 is set to 0 380: Only for internal Siemens use 550: Call conversion functions for parameter 625: Wait for non-cyclic start 650: Start cyclic operation 660: Evaluate drive commissioning status 670: Only for internal Siemens use 680: Only for internal Siemens use 690: Wait for non-cyclic start 700: Save parameters 725: Wait for cyclic 740: Check the ability to operate 745: Start cyclic calculations		

2 Parameters

2.2 List of parameters

750: Interrupt enable
 800: Initialization finished
 10050: Wait for synchronization
 10100: Wait for CU LINK slaves
 10150: Wait until actual topology determined
 10200: Evaluation component status
 10250: Call conversion functions for parameter
 10300: Preparation cyclic operation
 10350: Autom. FW update DRIVE-CLiQ components
 10400: Wait for slave properties
 10450: Check CX/NX status
 10500: Wait until DRIVE-CLiQ cyclic
 10550: Carry out warm start
 10600: Evaluate, encoder status
 10800: Partial boot completed

Index: [0] = System
 [1] = Partial boot

r3996[0...1]	Parameter write inhibit status / Par_write inhib st		
Access level: 3	Calculated: -	Data type: Unsigned8	
Can be changed: -	Scaling: -	Dyn. index: -	
Units group: -	Unit selection: -	Func. diagram: -	
Min	Max	Factory setting	
-	-	-	

Description: Displays whether writing to parameters is inhibited.
 r3996[0] = 0:
 Parameter write not inhibited.
 0 < r3996[0] < 100:
 Parameter write inhibited. The value shows how the calculations are progressing.

Index: [0] = Progress calculations
 [1] = Cause

Note: Re index 1:
 Only for internal Siemens troubleshooting.

r4640[0...95]	Encoder diagnostics state machine / Enc diag stat_ma		
Access level: 4	Calculated: -	Data type: Unsigned32	
Can be changed: -	Scaling: -	Dyn. index: -	
Units group: -	Unit selection: -	Func. diagram: -	
Min	Max	Factory setting	
-	-	-	

Description: Displays the encoder diagnostics for the PROFIdrive interface.

p4641[0...2]	OEM encoder diagnostic signal selection / OEM enc diag sel		
Access level: 3	Calculated: -	Data type: Unsigned16	
Can be changed: U, T	Scaling: -	Dyn. index: -	
Units group: -	Unit selection: -	Func. diagram: -	
Min	Max	Factory setting	
0	65535	0	

Description: Trace functionality for OEM encoder manufacturers.

Index: [0] = Encoder 1
 [1] = Encoder 2
 [2] = Encoder 3

p4650	Encoder functional reserve component number / Enc fct_res num		
	Access level: 3	Calculated: -	Data type: Unsigned16
	Can be changed: U, T	Scaling: -	Dyn. index: -
	Units group: -	Unit selection: -	Func. diagram: -
	Min	Max	Factory setting
	0	399	0
Description:	Sets the component number (p0141) of the encoder whose functional reserve is to be displayed (r4651).		
Dependency:	Refer to: r4651		
r4651[0...3]	Encoder functional reserve / Enc fct_reserve		
	Access level: 3	Calculated: -	Data type: FloatingPoint32
	Can be changed: -	Scaling: -	Dyn. index: -
	Units group: -	Unit selection: -	Func. diagram: -
	Min	Max	Factory setting
	- [%]	- [%]	- [%]
Description:	Displays the functional reserve of the encoder selected via p4650. 0 ... 25 %: The function limit has been reached. A service is recommended. 26 ... 100 %: The encoder is working in the specified range.		
Index:	[0] = Function reserve 1 [1] = Function reserve 2 [2] = Function reserve 3 [3] = Function reserve 4		
Dependency:	Refer to: p4650		
Note:	Value = 999 means: - the component specified in p4650 is not connected - the encoder does not support the display of the functional reserve		
p4652[0...2]	XIST1_ERW reset mode / XIST1_ERW res mode		
	Access level: 3	Calculated: -	Data type: Integer16
	Can be changed: -	Scaling: -	Dyn. index: -
	Units group: -	Unit selection: -	Func. diagram: 4750
	Min	Max	Factory setting
	0	3	0
Description:	Sets the mode to reset the actual value in XIST_ERW (CO: r4653).		
Value:	0: Inactive 1: Reset with zero mark 2: Reset with BICO 3: Reset with selected zero mark		
Index:	[0] = Encoder 1 [1] = Encoder 2 [2] = Reserved		
Dependency:	Refer to: r4653, r4654, p4655		
Note:	If value = 1: The value in XIST1_ERW is reset when passing every zero mark. If value = 2: The value in XIST1_ERW is reset with a 0/1 edge via binector input p4655. If value = 3: The value in XIST1_ERW is reset after a 0/1 edge via binector input p4655 when passing the next zero mark.		

r4653[0...2]	CO: XIST1_ERW actual value / XIST1_ERW actual			
	Access level: 3	Calculated: -	Data type: Unsigned32	
	Can be changed: -	Scaling: -	Dyn. index: -	
	Units group: -	Unit selection: -	Func. diagram: 4750	
	Min	Max	Factory setting	
	-	-	-	
Description:	Display and connector output for the actual value XIST1_ERW.			
Index:	[0] = Encoder 1 [1] = Encoder 2 [2] = Reserved			
Dependency:	Refer to: p4652, r4654, p4655			
r4654.0...8	CO/BO: XIST1_ERW status / XIST1_ERW stat			
	Access level: 3	Calculated: -	Data type: Unsigned32	
	Can be changed: -	Scaling: -	Dyn. index: -	
	Units group: -	Unit selection: -	Func. diagram: 4750	
	Min	Max	Factory setting	
	-	-	-	
Description:	Display and binector output to reset XIST1_ERW.			
Bit field:	Bit	Signal name	1 signal	0 signal
	00	Encoder 1 XIST1_ERW reset	High	Low
	08	Encoder 2 XIST1_ERW reset	High	Low
				FP
				-
				-
Dependency:	Refer to: p4652, r4653, p4655			
Note:	The reset of XIST1_ERW is initiated via binector input p4655. Binector output r4654 is reset with a 0 signal from binector input p4655.			
p4655[0...2]	BI: XIST1_ERW reset signal source / XIST1_ERW resS_src			
	Access level: 3	Calculated: -	Data type: U32 / Binary	
	Can be changed: T	Scaling: -	Dyn. index: -	
	Units group: -	Unit selection: -	Func. diagram: 4750	
	Min	Max	Factory setting	
	-	-	0	
Description:	Sets the signal source to reset XIST1_ERW (CO: r4653).			
Index:	[0] = Encoder 1 [1] = Encoder 2 [2] = Reserved			
Dependency:	Refer to: p4652, r4653, r4654			
Note:	The reset of XIST1_ERW depends on the selected mode (p4652).			
p4660[0...2]	Sensor Module filter bandwidth / SM Filt_bandw			
	Access level: 3	Calculated: -	Data type: FloatingPoint32	
	Can be changed: C(4)	Scaling: -	Dyn. index: -	
	Units group: -	Unit selection: -	Func. diagram: -	
	Min	Max	Factory setting	
	0.00 [kHz]	20000.00 [kHz]	0.00 [kHz]	
Description:	Sets the filter bandwidth for Sensor Module SMx10 (resolver) and SMx20 (sin/cos). The value set on the Sensor Module is displayed in r4661. The Sensor Module hardware only supports the following values: - 0: The Sensor Module's default is used. - 50 kHz - 170 kHz - 500 kHz - Unlimited: Only the bandwidth of the operational amplifier is effective.			

Index: [0] = Encoder 1
[1] = Encoder 2
[2] = Reserved

Dependency: Refer to: r4661

Note: A value of zero is displayed if an encoder is not present.

r4661[0...2] Sensor Module filter bandwidth display / SM Filt_bandw disp

Access level: 3	Calculated: -	Data type: FloatingPoint32
Can be changed: -	Scaling: -	Dyn. index: -
Units group: -	Unit selection: -	Func. diagram: -
Min	Max	Factory setting
- [kHz]	- [kHz]	- [kHz]

Description: Display of the effective filter bandwidth for Sensor Module SMx10 (resolver) and SMx20 (sin/cos).
The bandwidth of the filter is set using p4660.

Index: [0] = Encoder 1
[1] = Encoder 2
[2] = Reserved

Dependency: Refer to: p4660

Note: A value of zero is displayed if an encoder is not present.

p4662[0...n] Encoder characteristic type / Enc char_type

Access level: 4	Calculated: -	Data type: Integer16
Can be changed: C(4)	Scaling: -	Dyn. index: EDS, p0140
Units group: -	Unit selection: -	Func. diagram: -
Min	Max	Factory setting
0	1	0

Description: Sets the characteristic type.
For non-linear sensors, the interrelationship between the signal voltage and the position can be defined using a third degree polynomial.

Value: 0: Characteristic inactive
1: Characteristic polynomial third degree

Dependency: Refer to: p4663, p4664, p4665, p4666

Note: If value = 1:
A third degree polynomial is defined as follows:
 $F(x) = K3 * x^3 + K2 * x^2 + K1 * x + K0$
Coefficients K0 ... K3 should be defined and entered into p4663 ... p4666.
The sensor range is emulated to $x = -0.5 \dots +0.5$.

p4663[0...n] Encoder characteristic K0 / Enc char K0

Access level: 4	Calculated: -	Data type: FloatingPoint32
Can be changed: U, T	Scaling: -	Dyn. index: EDS, p0140
Units group: -	Unit selection: -	Func. diagram: -
Min	Max	Factory setting
-	-	-

Description: Setting for coefficient K0 to calculate the characteristic (p4662).

Dependency: Refer to: p4662, p4664, p4665, p4666

2 Parameters

2.2 List of parameters

p4664[0...n]	Encoder characteristic K1 / Enc char K1			
	Access level: 4	Calculated: -	Data type: FloatingPoint32	
	Can be changed: U, T	Scaling: -	Dyn. index: EDS, p0140	
	Units group: -	Unit selection: -	Func. diagram: -	
	Min	Max	Factory setting	
	-	-	-	
Description:	Setting for coefficient K1 to calculate the characteristic (p4662).			
Dependency:	Refer to: p4662, p4663, p4665, p4666			
p4665[0...n]	Encoder characteristic K2 / Enc char K2			
	Access level: 4	Calculated: -	Data type: FloatingPoint32	
	Can be changed: U, T	Scaling: -	Dyn. index: EDS, p0140	
	Units group: -	Unit selection: -	Func. diagram: -	
	Min	Max	Factory setting	
	-	-	-	
Description:	Setting for coefficient K2 to calculate the characteristic (p4662).			
Dependency:	Refer to: p4662, p4663, p4664, p4666			
p4666[0...n]	Encoder characteristic K3 / Enc char K3			
	Access level: 4	Calculated: -	Data type: FloatingPoint32	
	Can be changed: U, T	Scaling: -	Dyn. index: EDS, p0140	
	Units group: -	Unit selection: -	Func. diagram: -	
	Min	Max	Factory setting	
	-	-	-	
Description:	Setting for coefficient K3 to calculate the characteristic (p4662).			
Dependency:	Refer to: p4662, p4663, p4664, p4665			
p4670[0...n]	Analog sensor configuration / Ana_sens config			
	Access level: 4	Calculated: -	Data type: Unsigned32	
	Can be changed: U, T	Scaling: -	Dyn. index: EDS, p0140	
	Units group: -	Unit selection: -	Func. diagram: -	
	Min	Max	Factory setting	
	-	-	0000 0000 0000 0000 0000 0000 0000 0000 0000 bin	
Description:	Sets the configuration for evaluation on the analog sensor.			
Bit field:	Bit	Signal name	1 signal	0 signal
	06	Set velocity to 0	Yes	No
	08	Pos val range	0.0 / 1.0 pulse	-0.5 / +0.5 pulse
	09	Fault/alarm messages	Alarm	Fault
	10	Channel B act	Yes	No
	11	Channel A act	Yes	No
	13	Commutation angle constant	Yes	No
	14	Suppress faults	Yes	No
	31	Extrapolation	ON	OFF
Notice:	Re bit 06: Setting the bit sets the velocity actual value (r0061) permanently to 0.			
	Re bit 13: Setting the bit sets the commutation angle permanently to the commutation angle offset (p0431).			
Note:	Re bit 09: A setting of bit = 0 will trigger a fault for the relevant channel if the actual value is invalid. A setting of bit = 1 will trigger an alarm for the relevant channel if the actual value is invalid.			
	Re bit 10, 11: If both channels are activated, the actual value is generated from the mean value of both channels. If a channel fails (actual value invalid), it is not included when the mean value is generated.			

Re bit 14:

The bit is only evaluated for encoder 1. Otherwise no effect.

p4671[0...n]	Analog sensor input / Ana_sens inp		
	Access level: 4	Calculated: -	Data type: Integer16
	Can be changed: C(4)	Scaling: -	Dyn. index: EDS, p0140
	Units group: -	Unit selection: -	Func. diagram: -
	Min	Max	Factory setting
	0	3	0
Description:	Sets the input circuit for the analog sensor.		
Value:	0: Differential 1: Single-ended A, B 2: Single-ended A*, B* 3: Single-ended A, B sensitive		
Note:	p4671 = 0: The two signals on a track are evaluated differentially. p4671 = 1: Only the non-inverted signal on a track is evaluated. p4671 = 2: Only the inverted signal on a track is evaluated. p4671 = 3: Only the non-inverted signal on a track (high resolution) is evaluated.		

p4672[0...n]	Analog sensor channel A voltage at actual value zero / Ana_sens A U at 0		
	Access level: 4	Calculated: -	Data type: FloatingPoint32
	Can be changed: U, T	Scaling: -	Dyn. index: EDS, p0140
	Units group: -	Unit selection: -	Func. diagram: -
	Min	Max	Factory setting
	-10.0000 [V]	10.0000 [V]	0.0000 [V]
Description:	Sets the voltage when the connected sensor is at actual value zero. At this voltage channel A supplies an actual value of zero.		

p4673[0...n]	Analog sensor channel A voltage per encoder period / Ana_sens A U/per		
	Access level: 4	Calculated: -	Data type: FloatingPoint32
	Can be changed: U, T	Scaling: -	Dyn. index: EDS, p0140
	Units group: -	Unit selection: -	Func. diagram: -
	Min	Max	Factory setting
	-10.0000 [V]	10.0000 [V]	6.0000 [V]
Description:	Sets the output voltage range to be mapped for the connected analog sensor. The voltage range is determined by the following parameters: - p4672 (voltage at actual value 0) - p4673 (voltage per encoder period)		
Note:	The minimum actual value which can be mapped is equal to p4672 - p4673/2. The maximum actual value which can be mapped is equal to p4672 + p4673/2.		

p4674[0...n]	Analog sensor channel B voltage at actual value zero / Ana_sens B U at 0		
	Access level: 4	Calculated: -	Data type: FloatingPoint32
	Can be changed: U, T	Scaling: -	Dyn. index: EDS, p0140
	Units group: -	Unit selection: -	Func. diagram: -
	Min	Max	Factory setting
	-10.0000 [V]	10.0000 [V]	0.0000 [V]
Description:	Sets the voltage when the connected sensor is at actual value zero. At this voltage channel B supplies an actual value of zero.		

p4675[0...n]	Analog sensor channel B voltage per encoder period / Ana_sens B U/per				
	Access level: 4	Calculated: -	Data type: FloatingPoint32		
	Can be changed: U, T	Scaling: -	Dyn. index: EDS, p0140		
	Units group: -	Unit selection: -	Func. diagram: -		
	Min	Max	Factory setting		
	-10.0000 [V]	10.0000 [V]	6.0000 [V]		
Description:	Sets the output voltage range to be mapped for the connected analog sensor. The voltage range is determined by the following parameters: - p4674 (voltage at actual value 0) - p4675 (voltage per encoder period)				
Note:	The minimum actual value which can be mapped is equal to p4674 - p4675/2. The maximum actual value which can be mapped is equal to p4674 + p4675/2.				
p4676[0...n]	Analog sensor range limit threshold / Ana_sens lim thr				
	Access level: 4	Calculated: -	Data type: FloatingPoint32		
	Can be changed: U, T	Scaling: -	Dyn. index: EDS, p0140		
	Units group: -	Unit selection: -	Func. diagram: -		
	Min	Max	Factory setting		
	0.0 [%]	100.0 [%]	100.0 [%]		
Description:	Sets the threshold for limit monitoring of the absolute actual value on the analog sensor. If this threshold is overshoot by the actual value of a channel, a corresponding fault/alarm (p4670.9) is output.				
Dependency:	Refer to: p4673, p4675				
p4677[0...n]	Analog sensor LVDT configuration / Ana_sens LVDT conf				
	Access level: 4	Calculated: -	Data type: Unsigned32		
	Can be changed: C(4)	Scaling: -	Dyn. index: EDS, p0140		
	Units group: -	Unit selection: -	Func. diagram: -		
	Min	Max	Factory setting		
	-	-	0000 bin		
Description:	Sets the configuration for LVDT mode on the analog sensor.				
Bit field:	Bit	Signal name	1 signal	0 signal	FP
	00	LVDT ON	Yes	No	-
	01	Track B excitation	Yes	No	-
	02	Fixed value amplitude	Yes	No	-
	03	Fixed value amplitude and phase	Yes	No	-
p4678[0...n]	Analog sensor LVDT ratio / An_sens LVDT ratio				
	Access level: 4	Calculated: -	Data type: FloatingPoint32		
	Can be changed: C(4)	Scaling: -	Dyn. index: EDS, p0140		
	Units group: -	Unit selection: -	Func. diagram: -		
	Min	Max	Factory setting		
	0.00 [%]	200.00 [%]	50.00 [%]		
Description:	Sets the ratio for the LVDT sensor.				
p4679[0...n]	Analog sensor LVDT phase / An_sens LVDT ph				
	Access level: 4	Calculated: -	Data type: FloatingPoint32		
	Can be changed: C(4), T	Scaling: -	Dyn. index: EDS, p0140		
	Units group: -	Unit selection: -	Func. diagram: -		
	Min	Max	Factory setting		
	-360.00 [°]	360.00 [°]	0.00 [°]		
Description:	Sets the phase for the LVDT sensor.				

p4680[0...n]	Zero mark monitoring tolerance permissible / ZM_monit tol perm		
	Access level: 3	Calculated: -	Data type: Unsigned32
	Can be changed: C(4)	Scaling: -	Dyn. index: EDS, p0140
	Units group: -	Unit selection: -	Func. diagram: -
	Min	Max	Factory setting
	0	1000	4
Description:	Sets the permissible tolerance in encoder pulses for the zero mark distance in the context of zero mark monitoring. Causes fault F3x100 to appear less frequently.		
p4681[0...n]	Zero mark monitoring tolerance window limit 1 positive / ZM tol lim 1 pos		
	Access level: 3	Calculated: -	Data type: Unsigned32
	Can be changed: C(4)	Scaling: -	Dyn. index: EDS, p0140
	Units group: -	Unit selection: -	Func. diagram: -
	Min	Max	Factory setting
	0	1000	2
Description:	Sets the positive tolerance window in encoder pulses for limit 1 for the zero mark monitoring. If the deviation is less than this limit, then the pulse number is not corrected. If it is higher than this limit, fault F3x131 is triggered. If fault F3x131 is re-parameterized to alarm (A) or no message (N), the encoder pulses which have not been corrected are added to the accumulator (p4688). The accumulator can be de-activated using p0437.7.		
Dependency:	Refer to: p0437, p4688		
Note:	This monitoring is activated by setting p0437.2 = 1 (position actual value correction). The positive limit describes additional pulses due to EMC.		
p4682[0...n]	Zero mark monitoring tolerance window limit 1 negative / ZM tol lim 1 neg		
	Access level: 3	Calculated: -	Data type: Integer32
	Can be changed: C(4)	Scaling: -	Dyn. index: EDS, p0140
	Units group: -	Unit selection: -	Func. diagram: -
	Min	Max	Factory setting
	-1001	0	-1001
Description:	Sets the negative tolerance window in encoder pulses for limit 1 for the zero mark monitoring. If the deviation is less than this limit, the PPR is not corrected. If it is higher than this limit, fault F3x131 is triggered. If fault F3x131 is re-parameterized to alarm (A) or no message (N), the encoder pulses which have not been corrected are added to the accumulator (p4688). The accumulator can be de-activated using p0437.7.		
Dependency:	Refer to: p0437, p4681, p4688		
Note:	This monitoring is activated by setting p0437.2 = 1 (position actual value correction). For a set value = -1001, the negated value of p4681 is effective. The negative limit describes the pulses lost due to a covered glass panel in the incremental encoder.		
p4683[0...n]	Zero mark monitoring tolerance window alarm threshold positive / ZM tol A_thr pos		
	Access level: 3	Calculated: -	Data type: Unsigned32
	Can be changed: C(4)	Scaling: -	Dyn. index: EDS, p0140
	Units group: -	Unit selection: -	Func. diagram: -
	Min	Max	Factory setting
	0	100000	0
Description:	Sets the positive tolerance window in encoder pulses for limit 2 for the zero mark monitoring. If the zero mark deviation is higher than the tolerance set in p4681 and p4682 and fault F3x131 is re-parameterized to alarm (A) or no message (N), the accumulator p4688 is compared with this parameter and, if applicable, alarm A3x422 is output for 5 seconds.		
Dependency:	Refer to: p0437, p4681, p4682, p4688		
Note:	Zero mark monitoring is activated by setting p0437.2 = 1 (position actual value correction).		

2 Parameters

2.2 List of parameters

p4684[0...n]	Zero mark monitoring tolerance window alarm threshold negative / ZM tol A_thr neg		
	Access level: 3	Calculated: -	Data type: Integer32
	Can be changed: C(4)	Scaling: -	Dyn. index: EDS, p0140
	Units group: -	Unit selection: -	Func. diagram: -
	Min	Max	Factory setting
	-100001	0	-100001
Description:	Sets the negative tolerance window in encoder pulses for limit 2 for the zero mark monitoring. If the zero mark deviation is higher than the tolerance set in p4681 and p4682 and fault F3x131 is re-parameterized to alarm (A) or no message (N), the accumulator p4688 is compared with this parameter and, if applicable, alarm A3x422 is output for 5 seconds.		
Dependency:	Refer to: p0437, p4683, p4688		
Note:	Zero mark monitoring is activated by setting p0437.2 = 1 (position actual value correction). For a set value = -100001, the negated value of p4683 is effective.		

p4685[0...n]	Speed actual value mean value generation / n_act mean val		
	Access level: 3	Calculated: -	Data type: Unsigned32
	Can be changed: C(4)	Scaling: -	Dyn. index: EDS, p0140
	Units group: -	Unit selection: -	Func. diagram: -
	Min	Max	Factory setting
	0	20	0
Description:	Sets the number of current controller clock cycles for mean value generation of the speed actual value.		
Note:	Value = 0, 1: No mean value generation. Higher values also mean higher dead times for the speed actual value.		

p4686[0...n]	Zero mark minimum length / ZM min length		
	Access level: 3	Calculated: -	Data type: Unsigned32
	Can be changed: C(4)	Scaling: -	Dyn. index: EDS, p0140
	Units group: -	Unit selection: -	Func. diagram: -
	Min	Max	Factory setting
	0	10	1
Description:	Sets the minimum length for the zero mark in 1/4 encoder pulses.		
Dependency:	Refer to: p0425, p0437		
Note:	The value for the minimum length of the zero mark must be set less than p0425. The parameter is activated using p0437.1 = 1 (zero mark edge detection).		

p4688[0...2]	CO: Zero mark monitoring differential pulse count / ZM diff_pulse qty		
	Access level: 3	Calculated: -	Data type: Integer32
	Can be changed: T	Scaling: -	Dyn. index: -
	Units group: -	Unit selection: -	Func. diagram: -
	Min	Max	Factory setting
	-2147483648	2147483647	0
Description:	Displays the number of differential pulses for the zero mark monitoring that have accumulated. If fault F3x131 is re-parameterized to alarm (A) or no message (N), the encoder pulses which have not been corrected are added to the accumulator (p4688).		
Index:	[0] = Encoder 1 [1] = Encoder 2 [2] = Reserved		
Dependency:	Refer to: p4681, p4682, p4683, p4684		
Note:	The display can only be reset to zero.		

r4689[0...2]	CO: Squarewave encoder diagnostics / Sq-wave enc diag		
	Access level: 4	Calculated: -	Data type: Unsigned32
	Can be changed: -	Scaling: -	Dyn. index: -
	Units group: -	Unit selection: -	Func. diagram: -
	Min	Max	Factory setting
	-	-	-
Description:	Displays the encoder status according to PROFIdrive for a squarewave encoder.		
Index:	[0] = Encoder 1 [1] = Encoder 2 [2] = Reserved		
Note:	After alarm A3x422 is output, this parameter is set for 100 ms.		
p4690	SMI spare part component number / SMI comp_no		
	Access level: 1	Calculated: -	Data type: Unsigned16
	Can be changed: T	Scaling: -	Dyn. index: -
	Units group: -	Unit selection: -	Func. diagram: -
	Min	Max	Factory setting
	0	399	0
Description:	Sets the component number for the SMI/DQI for which motor and/or encoder data should be saved, deleted or downloaded.		
Dependency:	Refer to: p4691, p4692, p4693		
Note:	DQI: DRIVE-CLiQ Sensor Integrated SMI: SINAMICS Sensor Module Integrated		
p4691	SMI spare part save/download data / Save/DL SMI data		
	Access level: 1	Calculated: -	Data type: Integer16
	Can be changed: T	Scaling: -	Dyn. index: -
	Units group: -	Unit selection: -	Func. diagram: -
	Min	Max	Factory setting
	0	39	0
Description:	Setting for the saving/downloading/deletion of motor and/or encoder data for the component specified in p4690 (SMI/DQI). A backup of this data can be saved to non-volatile memory. The backup procedure is performed automatically as part of the function for saving to non-volatile memory (p0977 = 1 or "Copy RAM to ROM"). If a part is replaced, the saved data can be reloaded. Procedure: p4690 = set component number p4691 = 1, 2, 30: Set the required procedure (save/download/delete). p4691 = 9, 10, 36: Feedback signal on successful completion of the procedure. p4691 = 11... 22, 37, 38: Error values if the procedure could not be executed successfully.		
Value:	0: Inactive 1: Save SMI data 2: Download SMI data 9: SMI data downloaded and POWER ON required for component 10: SMI data backup complete 11: SMI data backup for selected component not found 12: Selected component not available or not connected 13: Insufficient memory space for backup 14: Format of saved data is incompatible 15: Transfer fault during data download 16: Transfer fault during data backup 17: Data backup does not match parameterized encoder/motor 18: Data backup directory not permissible 19: Component already contains data 20: Component does not contain any data 21: Component is not an SMI or a DQI		

- 22: SMI data cannot be downloaded for component
- 30: Delete SMI data
- 35: Confirmation of SMI data delete required
- 36: SMI data deleted and POWER ON required for component
- 37: Access level not sufficient for delete
- 38: Delete SMI data not permitted for component
- 39: SMI data for component cannot be deleted

Dependency:

Refer to: p4690, p4692, p4693

Notice:

Once SMI/DQI data has been deleted or downloaded successfully, the component has to be powered up.

Note:

SMI: SINAMICS Sensor Module Integrated

DQI: DRIVE-CLiQ Sensor Integrated

Help for error value = 11:

- Save the data for the original SMI on the memory card.
- Use an SMI with a suitable hardware version.

Help for error value = 12:

- Set the correct component number or connect the component.

Help for error value = 13:

- Use a memory card with more memory space.

Help for error value = 14:

- Create a data backup on the memory card corresponding to the SMI type.

Help for error value = 15:

- Check the DRIVE-CLiQ wiring for the component.

Help for error value = 16:

- Check the DRIVE-CLiQ wiring for the component.

Help for error value = 17:

- Save the data for the original SMI on the memory card.

Help for error value = 18:

- Set parameter p4693 to an appropriate value.

Help for error value = 19:

- Perform an SMI delete or use a blank SMI.

Help for error value = 20:

- Use an SMI that is not blank.

Help for error value = 21:

- Set the correct component number (p4690).

Note for error value = 22:

- Data cannot be downloaded for component.

Help for error value = 35:

- Reset parameter p4691 to 30.

Help for error value = 37:

- Set the access level to Expert or higher.

Help for error value = 38:

- Insert the SMI/DQI into the actual topology as an additional component (component number >= 200).
- Set the component number from the actual topology (p4690 >= 200).
- Set the correct component number (p4690 >= 200).

Note for error value = 39:

- SMI already deleted or too old. Delete not possible.

p4692

SMI spare part save data of all SMIs / Save SMI data

Access level: 1	Calculated: -	Data type: Integer16
Can be changed: T	Scaling: -	Dyn. index: -
Units group: -	Unit selection: -	Func. diagram: -
Min	Max	Factory setting
0	29	0

Description:

Setting to back up the data of all SMIs and DQIs featured in the target topology.

Value:

- 0: Inactive
- 1: Save data of all SMIs and DQIs

- 10: Save all data successful
- 13: Insufficient memory space for backup
- 16: Transfer fault during data backup
- 20: Component does not contain any data
- 29: Not all components from target topology saved

Note:

SMI: SINAMICS Sensor Module Integrated

p4692 = 10: Automatic on successful completion of backup procedure.

p4692 = 13, 16, 20, 29: Error values if the procedure could not be executed successfully.

The procedure must be repeated if the data save operation was interrupted (e.g. if the power supply voltage failed).

Help for error value = 13:

- Use a memory card with more memory space.

Help for error value = 16:

- check the DRIVE-CLiQ wiring.

Help for error value = 20:

- Use an SMI that is not blank.

Help for error value = 29:

- Check and correct the target and actual topologies for the SMIs.

- Repeat the save procedure.

p4693[0...1]**SMI spare part data backup directory / SMI dat_bkup dir**

Access level: 3

Calculated: -

Data type: Unsigned16

Can be changed: T

Scaling: -

Dyn. index: -

Units group: -

Unit selection: -

Func. diagram: -

Min

Max

Factory setting

0

399

0

Description:

Sets the directory for downloading and saving data.

Example:

The SMI has the component number 5 and the SMI data (motor/encoder data) is to be stored in subdirectory C205.

--> p4690 = 5, p4693[0] = 205, p4691 = 1

Index:

[0] = Subdirectory selection

[1] = Reserved

Dependency:

Refer to: p4691, r4694

Notice:

If p4693[0] is not equal to 0 and p4693[0] is not equal to p4690, the following applies:

- Only a number ≥ 200 may be selected for the subdirectory when saving.

- In the case of downloads, a selection for the subdirectory may only be made for an SMI/DQI with a component number ≥ 200 (preliminary component number) (p4690 ≥ 200).

Note:

DQI: DRIVE-CLiQ Sensor Integrated

SMI: SINAMICS Sensor Module Integrated

Re index 0:

This index is used to select the subdirectory for saving and downloading data. The motor order number (MLFB) of the corresponding data backup is displayed in r4694.

For p4693[0] = 0, the following applies:

The directory is determined by the setting of p4690.

r4694[0...19]**SMI spare part data backup motor order number / SMI dat_bkup MLFB**

Access level: 3

Calculated: -

Data type: Unsigned8

Can be changed: -

Scaling: -

Dyn. index: -

Units group: -

Unit selection: -

Func. diagram: -

Min

Max

Factory setting

-

-

-

Description:

Displays the motor order number (MLFB) of the data backup selected with p4693.

Dependency:

Refer to: p4691, p4692

Caution:



If the selected subdirectory contains a number of data sets, "More Datasets" is displayed in r4694[0...19].
 If there is no SMI data (motor/encoder data) in the selected subdirectory or if the selected subdirectory does not exist, the following applies:
 - The number of the next subdirectory located is displayed.
 - This subdirectory is not checked for valid SMI data.
 - If another subdirectory cannot be located, nothing is displayed in r4694[0...19].

Note:

SMI: SINAMICS Sensor Module Integrated

p5300[0...n]

Autotuning selection / Autotuning select

Access level: 2	Calculated: -	Data type: Integer16
Can be changed: T	Scaling: -	Dyn. index: DDS, p0180
Units group: -	Unit selection: -	Func. diagram: 5045
Min	Max	Factory setting
-1	2	0

Description:

Sets activation/de-activation of the "auto tuning" function.
 To permanently save the values that have been set, the parameters must be saved in a non-volatile memory (p0977 = 1).
 The individual measuring steps can be configured in the following parameters:
 p5301 for "One Button Tuning" (p5300=1) - this function is being prepared
 p5302 for "Online Tuning" (p5300=2)

Sets activation/de-activation of the "onlinetuning" function. The following parameters are written to when online tuning is activated: p430, p1160, p1400, p1413 - p1426, p1428, p1429, p1433 - p1435, p1441, p1460 - p1465, p1498, p1513, p1656 - p1676, p2533 - p2539, p2567, p2572, p2573, p5280

Value:

- 1: Reset (restore default values)
- 0: Inactive
- 1: One Button Tuning
- 2: Online Tuning

Dependency:

The prerequisite for the "auto tuning" function is that the "Moment of inertia estimator" function module is activated (r0108.10).

Refer to: p5301, p5302

Warning:



Only the motor measuring system is taken into account when optimizing the position controller. If an external measuring system is used for the position control, then this can result in an unstable controller setting.

Caution:



For some drive trains, the "onlinetuning" function can result in unstable settings. (motor makes a whistling sound). This is especially the case for high load moments of inertia, which are coupled to the motor through a low-frequency connection/coupling. This case, parameter p5272 or p5273 must be reduced.

Note:

If p5300 = -1:

Autotuning is deactivated, and p5300 is automatically set to 0. In addition, the default setting values for the speed and position controller are restored.

If p5300 = 0:

Online tuning is inactive. To permanently save the values determined for the speed and position controllers, the parameters must be saved in a non-volatile memory (p0977 = 1).

The results of the moment of inertia estimator can be reset using p5300 = 0. The moment of inertia and the tuning parameters must be redetermined after p5300 > 0.


If p5300 = 1:

One Button Tuning is active. The moment of inertia is determined once using a test signal. The controller parameters and current setpoint filters are additionally determined once using a noise signal as excitation source.

If p5300 = 2:

Onlinetuning is active. The moment of inertia is estimated. The controller parameters are recalculated if the moment of inertia noticeably changes.

p5301[0...n]	One Button Tuning configuration / OBT config			
Access level: 3	Calculated: -	Data type: Unsigned32		
Can be changed: U, T	Scaling: -	Dyn. index: DDS, p0180		
Units group: -	Unit selection: -	Func. diagram: -		
Min	Max	Factory setting		
-	-	0000 0111 bin		
Description:	Setting the functions for One Button Tuning (p5300 = 1). As long as autotuning is still active (p5300 <> 0), it is not possible to change the configuration. A test signal is required for some measuring steps. Parameters p5307 to p5309 must be observed for this purpose.			
Bit field:	Bit	Signal name	1 signal	0 signal
	00	Setting Kp	Yes	No
	01	Setting current setpoint filter	Yes	No
	02	Moment of inertia estimator	Yes	No
	07	Synchronized axes	Yes	No
Dependency:	Refer to: p5300			
Note:	Re bit 00: The speed controller gain is determined and set using a noise signal.			
	Re bit 01: Possibly required current setpoint filters are determined and set using a noise signal. As a consequence, a higher dynamic performance can be achieved in the speed control loop.			
	Re bit 02: Using this bit, the moment of inertia is determined using a test signal. If this bit is not set, then the load moment of inertia must be manually parameterized in parameter p1498. The test signal must have been previously set using parameters p5308 and p5309.			
	Re bit 07: With this function, these axes are adapted to the dynamic response set in p5275. This is necessary for interpolating axes. The time in p5275 should be set according to the axis with the lowest dynamic response.			

p5302[0...n]	Online tuning configuration / OT config			
Access level: 3	Calculated: -	Data type: Unsigned32		
Can be changed: U, T	Scaling: -	Dyn. index: DDS, p0180		
Units group: -	Unit selection: -	Func. diagram: -		
Min	Max	Factory setting		
-	-	0000 1100 bin		
Description:	Setting the functions for online tuning (p5300 = 2). As long as autotuning is still active (p5300 <> 0), it is not possible to change the configuration. A noise signal is required for some measuring steps.			
Bit field:	Bit	Signal name	1 signal	0 signal
	00	Setting Kp	Yes	No
	01	Setting current setpoint filter	Yes	No
	02	Moment of inertia estimator	Yes	No
	03	Moment of inertia estimator	Cyclic	Once
	06	Current setpoint filter adaptation	Yes	No
	07	Synchronized axes	Yes	No
Dependency:	This parameter can only be changed if p5300=0 has been parameterized. Refer to: p5300			
Caution:	Please note the general conditions of the moment of inertia estimator, online tuning and adaptive resonance filter. See Function Manual FH1.			
				
Note:	Re bit 00: being prepared The speed controller gain is determined and set using a noise signal.			

Re bit 01: being prepared

Possibly required current setpoint filters are determined and set using a noise signal.

As a consequence, a higher dynamic performance can be achieved in the speed control loop.

Re bit 02:

Using this bit, the moment of inertia is determined while traversing (moment of inertia estimator). If this bit is not set, then the load moment of inertia must be manually parameterized in parameter p1498.

Re bit 03:

If "once" has been parameterized, then after successfully determining the moment of inertia p1498 the moment of inertia estimator is deactivated.

If "Cyclic" has been parameterized, then the moment of inertia is continually determined and the controller parameters adapted. After the moment of inertia has been successfully determined (r1407.26=1), we recommend that the parameter is saved. This means that after power on, the controller does not have to re-stabilize.

Re bit 06:

The adaptation of a current setpoint filter can be set here. See p5280-p5285.

This adaptation may be necessary if a mechanical resonance frequency changes in operation. It can also be used to dampen a fixed resonance frequency. Once the control loop has stabilized, this bit should be deactivated and the determined parameters saved in a non-volatile fashion.

Re bit 07:

With this function, these axes are adapted to the dynamic response set in p5275. This is necessary for interpolating axes. The time in p5275 should be set according to the axis with the lowest dynamic response.

r5397	Mot_temp_mod 3 ambient temperature image p0613 / AmbTmp image p0613		
	Access level: 2	Calculated: -	Data type: FloatingPoint32
	Can be changed: -	Scaling: -	Dyn. index: -
	Units group: 21_1	Unit selection: p0505	Func. diagram: 8017
	Min	Max	Factory setting
	- [°C]	- [°C]	- [°C]
Description:	Displays the ambient temperature for motor temperature model 3. This value is used to calculate the utilization display (p0034). The parameter value is an image of p0613.		
Dependency:	Refer to: r0034		
Note:	Users cannot see and change parameter p0613 (only Siemens internal).		
r5398[0...n]	Mot_temp_mod 3 alarm threshold image p5390 / A thr image p5390		
	Access level: 2	Calculated: -	Data type: FloatingPoint32
	Can be changed: -	Scaling: -	Dyn. index: MDS
	Units group: 21_1	Unit selection: p0505	Func. diagram: 8017
	Min	Max	Factory setting
	- [°C]	- [°C]	- [°C]
Description:	Displays the alarm threshold for monitoring the motor temperature for motor temperature model 3. This value is used to calculate the utilization display (p0034). The parameter value is an image of p5390.		
Note:	Users cannot see and change parameter p5390 (only Siemens internal).		
r5399[0...n]	Mot_temp_mod 3 fault threshold image p5391 / F thr image p5391		
	Access level: 2	Calculated: -	Data type: FloatingPoint32
	Can be changed: -	Scaling: -	Dyn. index: MDS
	Units group: 21_1	Unit selection: p0505	Func. diagram: 8017
	Min	Max	Factory setting
	- [°C]	- [°C]	- [°C]
Description:	Sets the fault threshold for monitoring the motor temperature for motor temperature model 3. Fault F07011 is output after the fault threshold is exceeded. The parameter value is an image of p5391.		
Note:	Users cannot see and change parameter p5391 (only Siemens internal).		

r5600	Pe energy saving mode ID / Pe mode ID				
CU250S_V_PN	Access level: 3	Calculated: -	Data type: Integer16		
	Can be changed: -	Scaling: -	Dyn. index: -		
	Units group: -	Unit selection: -	Func. diagram: -		
	Min	Max	Factory setting		
	0	255	-		
Description:	Displays the PROFenergy mode ID of the effective energy saving mode.				
Value:	0: POWER OFF 2: Energy-saving mode 2 255: Ready				
Note:	Pe: PROFenergy profiles				
p5602[0...1]	Pe energy-saving mode pause time minimal / Pe mod t_pause min				
CU250S_V_PN	Access level: 3	Calculated: -	Data type: Unsigned32		
	Can be changed: T	Scaling: -	Dyn. index: -		
	Units group: -	Unit selection: -	Func. diagram: 2381		
	Min	Max	Factory setting		
	300000 [ms]	4294967295 [ms]	[0] 300000 [ms] [1] 480000 [ms]		
Description:	Sets the minimum possible pause time for the energy-saving mode. The value is the sum of the following times: - Energy-saving mode transition time - Operating state transition time regular - Energy-saving mode, dwell time minimal				
Index:	[0] = Reserved [1] = Mode 2				
Note:	It is not permissible that the value is less than the sum of the "energy-saving mode transition time" and the "operating state transition time" (system properties). Pe: PROFenergy profiles				
p5606[0...1]	Pe energy-saving mode dwell time maximum / Pe t_dwell max				
CU250S_V_PN	Access level: 3	Calculated: -	Data type: Unsigned32		
	Can be changed: T	Scaling: -	Dyn. index: -		
	Units group: -	Unit selection: -	Func. diagram: -		
	Min	Max	Factory setting		
	0 [ms]	4294967295 [ms]	4294967295 [ms]		
Description:	Sets the maximum dwell time for the energy-saving mode.				
Index:	[0] = Reserved [1] = Mode 2				
Note:	Pe: PROFenergy profiles				
p5611	Pe energy-saving properties general / Pe properties gen				
CU250S_V_PN	Access level: 3	Calculated: -	Data type: Unsigned32		
	Can be changed: T	Scaling: -	Dyn. index: -		
	Units group: -	Unit selection: -	Func. diagram: -		
	Min	Max	Factory setting		
	-	-	0000 bin		
Description:	Sets the general properties for energy-saving.				
Bit field:	Bit	Signal name	1 signal	0 signal	FP
	00	Inhibit PROFenergy control commands	Yes	No	-
	01	Drive initiates OFF1 when transitioning to energy-saving mode	Yes	No	-
	02	Trans into energy-saving mode from PROFdrive state S4 poss	Yes	No	-

2 Parameters

2.2 List of parameters

Note: Pe: PROFenergy profiles
PROFdrive state S4: operation

p5612[0...1]	Pe energy-saving properties mode-dependent / Pe properties mod		
CU250S_V_PN	Access level: 3	Calculated: -	Data type: Unsigned32
	Can be changed: T	Scaling: -	Dyn. index: -
	Units group: -	Unit selection: -	Func. diagram: -
	Min	Max	Factory setting
	-	-	[0] 0110 bin [1] 0000 bin

Description: Sets the mode-dependent properties for energy-saving.

Index: [0] = Reserved
[1] = Mode 2

Bit field:	Bit	Signal name	1 signal	0 signal	FP
	00	Reserved	Yes	No	-

Note: Pe: PROFenergy profiles

r5613.0...1	CO/BO: Pe energy-saving active/inactive / Pe save act/inact		
CU250S_V_PN	Access level: 3	Calculated: -	Data type: Unsigned8
	Can be changed: -	Scaling: -	Dyn. index: -
	Units group: -	Unit selection: -	Func. diagram: -
	Min	Max	Factory setting
	-	-	-

Description: Display and binector output for the state display PROFenergy energy saving active or inactive.

Bit field:	Bit	Signal name	1 signal	0 signal	FP
	00	Pe active	Yes	No	-
	01	Pe inactive	Yes	No	-

Note: Bit 0 and bit 1 are inverse of one another.
Pe: PROFenergy profiles

p5614	BI: Pe set switch-on inhibit signal source / Pe sw on_inh s_src		
CU250S_V_PN	Access level: 3	Calculated: -	Data type: U32 / Binary
	Can be changed: T	Scaling: -	Dyn. index: -
	Units group: -	Unit selection: -	Func. diagram: -
	Min	Max	Factory setting
	-	-	0

Description: Sets the signal source to set in the PROFdrive state S1 "switching-on inhibit".

Dependency: Refer to: r5613

Note: Pe: PROFenergy profiles

p6397	Motor module phase shift second system / MM ph_sh 2nd sys		
	Access level: 3	Calculated: -	Data type: Integer16
	Can be changed: T	Scaling: -	Dyn. index: -
	Units group: -	Unit selection: -	Func. diagram: -
	Min	Max	Factory setting
	0	8	0

Description: Sets the phase shift of the second system with respect to the first system for the motor module for a 12-pulse gating unit.

Value:

0:	Shift by +30 °
1:	Shift by -30 °
2:	Shift by 0 °
3:	Shift by +90 °
4:	Shift by -90 °
5:	Shift by +120 °
6:	Shift by -120 °

7: Shift by +150 °

8: Shift by -150 °

Notice: The parameter is only evaluated if p7003 = 2.**Note:** For p6397 = 0 the following applies: The second systems leads for a positive direction of rotation.

For p6397 = 1 the following applies: The second systems lags for a positive direction of rotation.

r7758[0...19]	KHP Control Unit serial number / KHP CU ser_no		
Access level: 3	Calculated: -	Data type: Unsigned8	
Can be changed: -	Scaling: -	Dyn. index: -	
Units group: -	Unit selection: -	Func. diagram: -	
Min	Max	Factory setting	
-	-	-	

Description: Displays the actual serial number of the Control Unit.
The individual characters of the serial number are displayed in the ASCII code in the indices.
For the commissioning software, the ASCII characters are displayed uncoded.

Dependency: Refer to: p7765, p7766, p7767, p7768**Notice:** An ASCII table (excerpt) can be found, for example, in the appendix to the List Manual.**Note:** KHP: Know-How Protection

p7759[0...19]	KHP Control Unit reference serial number / KHP CU ref ser_no		
Access level: 3	Calculated: -	Data type: Unsigned8	
Can be changed: T	Scaling: -	Dyn. index: -	
Units group: -	Unit selection: -	Func. diagram: -	
Min	Max	Factory setting	
-	-	-	

Description: Sets the reference serial number for the Control Unit.
Using this parameter, if a Control Unit and/or a memory card is replaced at the end customer, the OEM can again adapt the project to the modified hardware.

Dependency: Refer to: p7765, p7766, p7767, p7768**Note:** KHP: Know-How Protection

- The OEM may only change this parameter for the use case "Sending encrypted SINAMICS data".

- SINAMICS only evaluates this parameter when powering up from the encrypted "Load into file system..." output or when powering up from the encrypted PS files. The evaluation is only made when know-how protection and memory card copy protection have been activated.

r7760	Write protection/know-how protection status / Wr_prot/KHP stat		
Access level: 3	Calculated: -	Data type: Unsigned16	
Can be changed: -	Scaling: -	Dyn. index: -	
Units group: -	Unit selection: -	Func. diagram: -	
Min	Max	Factory setting	
-	-	-	

Description: Displays the status for the write protection and know-how protection.

Bit field:	Bit	Signal name	1 signal	0 signal	FP
	00	Write protection active	Yes	No	-
	01	Know-how protection active	Yes	No	-
	02	Know-how protection temporarily withdrawn	Yes	No	-
	03	Know-how protection cannot be deactivated	Yes	No	-
	04	Extended copy protection is active	Yes	No	-
	05	Basic copy protection is active	Yes	No	-
	06	Trace and measuring functions for diagnostic purposes active	Yes	No	-

Dependency: Refer to: p7761, p7765, p7766, p7767, p7768**Note:** KHP: Know-How Protection

Re bit 00:

Write protection can be activated/deactivated via p7761 on the Control Unit.

2 Parameters

2.2 List of parameters

Re bit 01:

The know-how protection can be activated by entering a password (p7766 ... p7768).

Re bit 02:

If it has already been activated, know-how protection can be temporarily deactivated by entering the valid password in p7766. In this case, bit 1 = 0 and bit 2 = 1 offset.

Re bit 03:

Know-how protection cannot be deactivated, as p7766 is not entered in the OEM exception list (only the factory setting is possible). This bit is only set if know-how protection is active (bit 1 = 1) and p7766 has not been entered in the OEM exception list.

Re bit 04:

When know-how protection has been activated, the contents of the memory card (parameter and DCC data) can be additionally protected against being used with other memory cards/Control Units. This bit is only set if know-how protection is active and p7765 bit 00 is set.

Re bit 05:

When know-how protection has been activated, the contents of the memory card (parameter and DCC data) can be additionally protected against being used with other memory cards. This bit is only set if know-how protection is active and in p7765 bit 01 is set and not bit 00.

Re bit 06:

When know-how protection is activated, the drive data can be traced using the device trace function. This bit is only set if know-how protection is active and in p7765.2 is set.

p7761	Write protection / Write protection		
	Access level: 3	Calculated: -	Data type: Integer16
	Can be changed: U, T	Scaling: -	Dyn. index: -
	Units group: -	Unit selection: -	Func. diagram: -
	Min	Max	Factory setting
	0	1	0
Description:	Setting for activating/de-activating the write protection for adjustable parameters.		
Value:	0: Deactivate write protection 1: Activate write protection		
Dependency:	Refer to: r7760		
Notice:	While write protection is active, a download is prevented; however, it is still possible to restore the factory settings.		
Note:	Parameters with the "WRITE_NO_LOCK" attributes are excluded from the write protection. A product-specific list of these parameters is also available in the corresponding List Manual.		

p7762	Write protection multi-master fieldbus system access behavior / Fieldbus acc_behav		
	Access level: 3	Calculated: -	Data type: Integer16
	Can be changed: U, T	Scaling: -	Dyn. index: -
	Units group: -	Unit selection: -	Func. diagram: -
	Min	Max	Factory setting
	0	1	0
Description:	Sets the behavior for write protection when accessing via multi-master fieldbus systems (e.g. CAN, BACnet).		
Value:	0: Write access independent of p7761 1: Write access dependent on p7761		
Dependency:	Refer to: r7760, p7761		

p7763	KHP OEM exception list number of indices for p7764 / KHP OEM qty p7764		
	Access level: 3	Calculated: -	Data type: Unsigned16
	Can be changed: U, T	Scaling: -	Dyn. index: -
	Units group: -	Unit selection: -	Func. diagram: -
	Min	Max	Factory setting
	1	500	1
Description:	Sets the number of parameters for the OEM exception list (p7764[0...n]). p7764[0...n], with n = p7763 - 1		
Dependency:	Refer to: p7764		

Note: KHP: Know-How Protection
Even if know-how protection is set, parameters in this list can be read and written to.

p7764[0...n]	KHP OEM exception list / KHP OEM excep list		
	Access level: 3	Calculated: -	Data type: Unsigned16
	Can be changed: U, T	Scaling: -	Dyn. index: p7763
	Units group: -	Unit selection: -	Func. diagram: -
	Min	Max	Factory setting
	0	65535	[0] 7766 [1...499] 0

Description: OEM exception list (p7764[0...n]) for setting parameters that should be excluded from know-how protection. p7764[0...n], with n = p7763 - 1

Dependency: The number of indices depends on p7763.
Refer to: p7763

Note: KHP: Know-How Protection
Even if know-how protection is set, parameters in this list can be read and written to.

p7765	KHP configuration / KHP config		
	Access level: 3	Calculated: -	Data type: Unsigned16
	Can be changed: U, T	Scaling: -	Dyn. index: -
	Units group: -	Unit selection: -	Func. diagram: -
	Min	Max	Factory setting
	-	-	0000 bin

Description: Configuration settings for know-how protection.
Re bit 00, 01:
When KHP is activated, this means that the OEM can define whether the parameters and DCC data encrypted on the memory card should be protected before using on other memory cards/Control Units.
Re bit 02:
This means that the OEM can define whether it is possible or not to trace the drive data using the device trace function although KHP is activated.

Bit field:	Bit	Signal name	1 signal	0 signal	FP
	00	Extended copy protection - linked to the memory card and CU	Yes	No	-
	01	Basic copy protection - linked to the memory card	Yes	No	-
	02	Permit trace and measuring functions for diagnostic purposes	Yes	No	-

Dependency: Refer to: p7766, p7767, p7768

Note: KHP: Know-How Protection
For copy protection, the serial numbers of the memory card and/or Control Unit are checked.
The memory card copy protection and preventing data to be traced are only effective when the know-how protection has been activated.
Re bit 00, 01:
If both bits are inadvertently set to 1 (e.g. at the BOP), then the setting of bit 0 applies.
There is no copy protection if both bits are set to 0.

p7766[0...29]	KHP password input / KHP passw input		
	Access level: 3	Calculated: -	Data type: Unsigned16
	Can be changed: U, T	Scaling: -	Dyn. index: -
	Units group: -	Unit selection: -	Func. diagram: -
	Min	Max	Factory setting
	-	-	-
Description:	Sets the password for know-how protection. Example of a password: 123aBc = 49 50 51 97 66 99 dec (ASCII characters) [0] = character 1 (e.g. 49 dec) [1] = character 2 (e.g. 50 dec) ... [5] = character 6 (e.g. 99 dec) [29] = 0 dec (completes the entry)		
Dependency:	Refer to: p7767, p7768		
Notice:	An ASCII table (excerpt) can be found, for example, in the appendix to the List Manual. When using the STARTER commissioning software, the password should be entered using the associated dialogs. The following rules apply when entering the password: - Password entry must start with p7766[0]. - No gaps are permissible in the password. - Entering a password is completed when writing to p7766[29] (p7766[29] = 0 for passwords less than 30 characters).		
Note:	KHP: Know-How Protection When reading, p7766[0...29] = 42 dec (ASCII character = "***") is displayed. Parameters with the "KHP_WRITE_NO_LOCK" attribute are not involved in the know-how protection. Parameters with the "KHP_ACTIVE_READ" attribute can be read even when know-how protection is activated. A product-specific list of these parameters is also available in the corresponding List Manual.		
p7767[0...29]	KHP password new / KHP passw new		
	Access level: 3	Calculated: -	Data type: Unsigned16
	Can be changed: U, T	Scaling: -	Dyn. index: -
	Units group: -	Unit selection: -	Func. diagram: -
	Min	Max	Factory setting
	-	-	-
Description:	Sets the new password for know-how protection.		
Dependency:	Refer to: p7766, p7768		
Note:	KHP: Know-How Protection When reading, p7767[0...29] = 42 dec (ASCII character = "***") is displayed.		
p7768[0...29]	KHP password confirmation / KHP passw confirm		
	Access level: 3	Calculated: -	Data type: Unsigned16
	Can be changed: U, T	Scaling: -	Dyn. index: -
	Units group: -	Unit selection: -	Func. diagram: -
	Min	Max	Factory setting
	-	-	-
Description:	Confirms the new password for know-how protection.		
Dependency:	Refer to: p7766, p7767		
Note:	KHP: Know-How Protection When reading, p7768[0...29] = 42 dec (ASCII character = "***") is displayed.		

p7769[0...20]	KHP memory card reference serial number / KHP mem ref ser_no		
	Access level: 3	Calculated: -	Data type: Unsigned8
	Can be changed: T	Scaling: -	Dyn. index: -
	Units group: -	Unit selection: -	Func. diagram: -
	Min	Max	Factory setting
	-	-	-
Description:	Sets the reference serial number for the memory card. Using this parameter, if a Control Unit and/or a memory card is replaced at the end customer, the OEM can again adapt the project to the modified hardware.		
Dependency:	Refer to: p7765, p7766, p7767, p7768		
Note:	KHP: Know-How Protection - The OEM may only change this parameter for the use case "Sending encrypted SINAMICS data". - SINAMICS only evaluates this parameter when powering up from the encrypted "Load into file system..." output or when powering up from the encrypted PS files. The evaluation is only made when know-how protection and memory card copy protection have been activated.		
p7775	NVRAM data backup/import/delete / NVRAM backup		
	Access level: 3	Calculated: -	Data type: Integer16
	Can be changed: C, U, T	Scaling: -	Dyn. index: -
	Units group: -	Unit selection: -	Func. diagram: -
	Min	Max	Factory setting
	0	17	0
Description:	Setting to backup/import/delete NVRAM data. NVRAM data are non-volatile data in the device (e.g. fault buffer). For NVRAM data actions, the following data are excluded: - Crash diagnostics - CU operating hours counter - CU temperature - Safety logbook		
Value:	0: Inactive 1: NVRAM data backup to memory card 2: Import NVRAM data from the memory card 3: Delete NVRAM data in the device 10: Error when clearing 11: Error when backing up, memory card not available 12: Error when backing up, insufficient memory space 13: Error when backing up 14: Error when importing, memory card not available 15: Error when importing, checksum error 16: Error when importing, no NVRAM data available 17: Error when importing		
Notice:	Re value = 2, 3: These actions are only possible when pulses are inhibited.		
Note:	After the action has been successfully completed, the parameter is automatically set to zero. The actions importing and deleting NVRAM data immediately initiate a warm restart. If the procedure was not successfully completed, then an appropriate fault value is displayed (p7775 >= 10).		
p7820	DRIVE-CLiQ component component number / DQ compo_no		
	Access level: 4	Calculated: -	Data type: Unsigned16
	Can be changed: U, T	Scaling: -	Dyn. index: -
	Units group: -	Unit selection: -	Func. diagram: -
	Min	Max	Factory setting
	0	65535	0
Description:	Sets the component number of the DRIVE-CLiQ component whose parameters are to be accessed.		
Dependency:	Refer to: p7821, p7822, r7823		

2 Parameters

2.2 List of parameters

p7821	DRIVE-CLiQ component parameter number / DQ para_no		
	Access level: 4	Calculated: -	Data type: Unsigned16
	Can be changed: U, T	Scaling: -	Dyn. index: -
	Units group: -	Unit selection: -	Func. diagram: -
	Min	Max	Factory setting
	0	65535	0
Description:	Sets the parameter number to access a parameter of a DRIVE-CLiQ component.		
Dependency:	Refer to: p7820, p7822, r7823		
p7822	DRIVE-CLiQ component parameter index / DQ para_index		
	Access level: 4	Calculated: -	Data type: Unsigned16
	Can be changed: U, T	Scaling: -	Dyn. index: -
	Units group: -	Unit selection: -	Func. diagram: -
	Min	Max	Factory setting
	0	65535	0
Description:	Sets the parameter index to access a parameter of a DRIVE-CLiQ component.		
Dependency:	Refer to: p7820, p7821, r7823		
r7823	DRIVE-CLiQ component read parameter value / Read DQ value		
	Access level: 4	Calculated: -	Data type: Unsigned32
	Can be changed: -	Scaling: -	Dyn. index: -
	Units group: -	Unit selection: -	Func. diagram: -
	Min	Max	Factory setting
	-	-	-
Description:	Displays the parameter value read from the DRIVE-CLiQ component.		
Dependency:	Refer to: p7820, p7821, p7822		
r7825[0...6]	DRIVE-CLiQ component versions / DQ comp version		
	Access level: 3	Calculated: -	Data type: Unsigned32
	Can be changed: -	Scaling: -	Dyn. index: -
	Units group: -	Unit selection: -	Func. diagram: -
	Min	Max	Factory setting
	-	-	-
Description:	Displays the firmware and EEPROM versions of the DRIVE-CLiQ component selected using p7828[1].		
Index:	[0] = Reference firmware version [1] = Actual firmware version [2] = EEPROM0 version [3] = EEPROM1 version [4] = EEPROM2 version [5] = EEPROM3 version [6] = EEPROM4 version		
Note:	Re index 0: Firmware version on the memory card/device memory. Re index 1: Actual firmware version of the DRIVE-CLiQ component. Re index 2 ... 6: Actual EEPROM version of the DRIVE-CLiQ component.		

r7827	Firmware update progress display / FW update progress	Access level: 3	Calculated: -	Data type: FloatingPoint32
		Can be changed: -	Scaling: -	Dyn. index: -
		Units group: -	Unit selection: -	Func. diagram: -
		Min	Max	Factory setting
		- [%]	- [%]	- [%]
Description:	Displays the progress when updating the firmware of the DRIVE-CLiQ components.			
p7830	Telegram diagnostics selection / Telegr diag sel	Access level: 4	Calculated: -	Data type: Integer16
		Can be changed: T	Scaling: -	Dyn. index: -
		Units group: -	Unit selection: -	Func. diagram: -
		Min	Max	Factory setting
		0	3	0
Description:	Selects a telegram whose contents should be shown in r7831 ... r7836.			
Value:	0: Reserved 1: First cyclic receive telegram sensor 1 2: First cyclic receive telegram sensor 2 3: First cyclic receive telegram sensor 3			
Dependency:	Refer to: r7831, r7832, r7833, r7834, r7835, r7836			
r7831[0...23]	Telegram diagnostics signals / Telegr diag sig	Access level: 4	Calculated: -	Data type: Integer16
		Can be changed: -	Scaling: -	Dyn. index: -
		Units group: -	Unit selection: -	Func. diagram: -
		Min	Max	Factory setting
		0	15157	-
Description:	Displays the signals contained in the selected telegram (p7830).			
Value:	0: UNUSED 1: UNKNOWN 102: SAPAR_ID_DSA_ALARM 110: SAPAR_ALARMBITS_FLOAT_0 111: SAPAR_ALARMBITS_FLOAT_1 112: SAPAR_ALARMBITS_FLOAT_2 113: SAPAR_ALARMBITS_FLOAT_3 114: SAPAR_ALARMBITS_FLOAT_4 115: SAPAR_ALARMBITS_FLOAT_5 10500: ENC_ID_TIME_PRETRIGGER 10501: ENC_ID_TIME_SEND_TELEG_1 10502: ENC_ID_TIME_CYCLE_FINISHED 10503: ENC_ID_TIME_DELTA_FUNMAN 10504: ENC_ID_SUBTRACE_CALCTIMES 10505: ENC_ID_SYNO_PERIOD 10516: ENC_ID_ADC_TRACK_A 10517: ENC_ID_ADC_TRACK_B 10518: ENC_ID_ADC_TRACK_C 10519: ENC_ID_ADC_TRACK_D 10520: ENC_ID_ADC_TRACK_A_SAFETY 10521: ENC_ID_ADC_TRACK_B_SAFETY 10523: ENC_ID_ADC_TEMP_1 10524: ENC_ID_SUBTRACE_TRACK_A 10525: ENC_ID_SUBTRACE_TRACK_B 10526: ENC_ID_ADC_TRACK_R 10532: ENC_ID_TRACK_AB_X 10533: ENC_ID_TRACK_AB_Y 10534: ENC_ID_OFFSET_CORR_AB_X 10535: ENC_ID_OFFSET_CORR_AB_Y 10536: ENC_ID_AB_ABS_VALUE			

10537: ENC_ID_TRACK_CD_X
10538: ENC_ID_TRACK_CD_Y
10539: ENC_ID_TRACK_CD_ABS
10542: ENC_ID_AB_RAND_X
10543: ENC_ID_AB_RAND_Y
10544: ENC_ID_AB_RAND_ABS_VALUE
10545: ENC_ID_SUBTRACE_ABS_ARRAY
10546: ENC_ID_PROC_OFFSET_0
10547: ENC_ID_PROC_OFFSET_4
10550: ENC_ID_SUBTRACE_AMPL
10563: ENC_ID_ENCODER_TEMP
10564: ENC_SELFTEMP_ACT
10565: ENC_ID_MOTOR_TEMP_TOP
10566: ENC_ID_MOTOR_TEMP_1
10567: ENC_ID_MOTOR_TEMP_1_COD
10569: ENC_ID_MOTOR_TEMP_2_COD
10571: ENC_ID_MOTOR_TEMP_3_COD
10580: ENC_ID_RESISTANCE_1
10590: ENC_ID_ANA_CHAN_A
10591: ENC_ID_ANA_CHAN_B
10592: ENC_ID_ANA_CHAN_X
10593: ENC_ID_ANA_CHAN_Y
10596: ENC_ID_AB_ANGLE
10597: ENC_ID_CD_ANGLE
10598: ENC_ID_MECH_ANGLE_HI
10599: ENC_ID_RM_POS_PHI_COMMU
10600: ENC_ID_PHI_COMMU
10601: ENC_ID_SUBTRACE_ANGLE
10612: ENC_ID_DIFF_CD_INC
10613: ENC_ID_RM_POS_PHI_COMMU_RFG
10628: ENC_ID_MECH_ANGLE
10629: ENC_ID_MECH_RM_POS
10644: ENC_ID_INIT_VECTOR
10645: FEAT_INIT_VECTOR
10660: ENC_ID_SENSOR_STATE
10661: ENC_ID_BASIC_SYSTEM
10662: ENC_ID_REFMARK_STATUS
10663: ENC_ID_DSA_STATUS1_SENSOR
10664: ENC_ID_DSA_RMSTAT_HANDSHAKE
10665: ENC_ID_DSA_CONTROL1_SENSOR
10667: ENC_ID_SAFETY
10669: ENC_ID_SUB_STATE
10676: ENC_ID_COUNTCORR_SAW_VALUE
10677: ENC_ID_COUNTCORR_ABS_VALUE
10678: ENC_ID_SAWTOOTH_CORR
10680: ENC_ID_SM_XIST1_CORRECTED_QUADRANTS
10692: ENC_ID_RESISTANCE_CALIB_INSTANT
10693: ENC_ID_SERPROT_POS
10700: ENC_ID_AB_VIOL_COUNT
10723: ENC_ID_ACT_STATEMACHINE_FUNCTION
10724: ENC_ID_ACT_FUNMAN_FUNCTION
10725: ENC_ID_SAFETY_COUNTER_CRC
10728: ENC_ID_SUBTRACE_AREA
10740: ENC_ID_POS_ABSOLUTE
10741: ENC_ID_POS_REFMARK
10742: ENC_ID_SAWTOOTH
10743: ENC_ID_SAFETY_PULSE_COUNTER
10745: ENC_ID_EIU_ZERCTRL
10756: ENC_ID_DSA_ACTUAL_SPEED
10757: ENC_ID_SPEED_DEV_ABS
10772: ENC_ID_DSA_POS_XIST1
10788: ENC_ID_AB_CROSS_CORR
10789: ENC_ID_AB_GAIN_Y_CORR
10790: ENC_ID_AB_PEAK_CORR
11825: ENC_ID_RES_TRANSITION_RATIO
11826: ENC_ID_RES_PHASE_SHIFT

15150: ENC_ID_SPINDLE_S1_RAW
 15151: ENC_ID_SPINDLE_S4_RAW
 15152: ENC_ID_SPINDLE_S5_RAW
 15155: ENC_ID_SPINDLE_S1_CAL
 15156: ENC_ID_SPINDLE_S4_CAL
 15157: ENC_ID_SPINDLE_S5_CAL

r7832[0...23]	Telegram diagnostics numerical format / Telegr diag format		
Access level: 4	Calculated: -	Data type: Integer16	
Can be changed: -	Scaling: -	Dyn. index: -	
Units group: -	Unit selection: -	Func. diagram: -	
Min	Max	Factory setting	
-1	14	-	

Description: Displays the original numerical format of the signals contained in the telegram.
 The associated signal number is represented in the appropriate index of r7831.

Value:

- 1: Unknown
- 0: Boolean
- 1: Signed 1 byte
- 2: Signed 2 byte
- 3: Signed 4 byte
- 4: Signed 8 byte
- 5: Unsigned 1 byte
- 6: Unsigned 2 byte
- 7: Unsigned 4 byte
- 8: Unsigned 8 byte
- 9: Float 4 byte
- 10: Double 8 byte
- 11: mm dd yy HH MM SS MS DOW
- 12: ASCII string
- 13: SINUMERIK frame type
- 14: SINUMERIK axis type

Dependency: Refer to: r7831

r7833[0...23]	Telegram diagnostics unsigned / Telegr diag unsign		
Access level: 4	Calculated: -	Data type: Unsigned32	
Can be changed: -	Scaling: -	Dyn. index: -	
Units group: -	Unit selection: -	Func. diagram: -	
Min	Max	Factory setting	
-	-	-	

Description: Parameter to display a DSA signal in the unsigned-integer format.
 The associated signal number is represented at the appropriate index in r7831.

r7834[0...23]	Telegram diagnostics signed / Telegr diag sign		
Access level: 4	Calculated: -	Data type: Integer32	
Can be changed: -	Scaling: -	Dyn. index: -	
Units group: -	Unit selection: -	Func. diagram: -	
Min	Max	Factory setting	
-	-	-	

Description: Parameter to display a DSA signal in the signed-integer format.
 The associated signal number is represented at the appropriate index in r7831.

2 Parameters

2.2 List of parameters

r7835[0...23]	Telegram diagnostics real / Telegr diag real		
	Access level: 4	Calculated: -	Data type: FloatingPoint32
	Can be changed: -	Scaling: -	Dyn. index: -
	Units group: -	Unit selection: -	Func. diagram: -
	Min	Max	Factory setting
	-	-	-
Description:	Parameter to display a DSA signal in the float format. The associated signal number is represented at the appropriate index in r7831.		

r7836[0...23]	Telegram diagnostics unit / Telegr diag unit		
	Access level: 4	Calculated: -	Data type: Integer16
	Can be changed: -	Scaling: -	Dyn. index: -
	Units group: -	Unit selection: -	Func. diagram: -
	Min	Max	Factory setting
	-1	147	-

Description: Displays the units of a DSA signal.
The associated signal number is represented at the appropriate index in r7831.

Value:

-1:	Unknown
0:	None
1:	Millimeter or degrees
2:	Millimeter
3:	Degrees
4:	mm/min or RPM
5:	Millimeter / min
6:	Revolutions / min
7:	m/sec ² or U/sec ²
8:	m/sec ²
9:	U/sec ²
10:	m/sec ³ or U/sec ³
11:	m/sec ³
12:	U/sec ³
13:	sec
14:	16.667 / sec
15:	mm/revolution
16:	ACX_UNIT_COMPENSATION_CORR
18:	Newton
19:	Kilogram
20:	Kilogram meter ²
21:	Percent
22:	Hertz
23:	Volt peak-to-peak
24:	Amps peak-to-peak
25:	Degrees Celsius
26:	Degrees
28:	Millimeter or degrees
29:	Meters / minute
30:	Meters / second
31:	ohm
32:	Millihenry
33:	Newton meter
34:	Newton meter/Ampere
35:	Volt/Ampere
36:	Newton meter second / rad
38:	31.25 microseconds
39:	Microseconds
40:	Milliseconds
42:	Kilowatt
43:	Micro amps peak-to-peak
44:	Volt seconds
45:	Microvolt seconds

46:	Micro newton meters
47:	Amps / volt seconds
48:	Per mille
49:	Hertz / second
53:	Micrometer or millidegrees
54:	Micrometer
55:	Millidegrees
59:	Nanometer
61:	Newton/Amps
62:	Volt seconds/meter
63:	Newton seconds/meter
64:	Micronewton
65:	Liters / minute
66:	Bar
67:	Cubic centimeters
68:	Millimeter / volt minute
69:	Newton/Volt
80:	Millivolts peak-to-peak
81:	Volt rms
82:	Millivolts rms
83:	Amps rms
84:	Micro amps rms
85:	Micrometers / revolution
90:	Tenths of a second
91:	Hundredths of a second
92:	10 microseconds
93:	Pulses
94:	256 pulses
95:	Tenths of a pulse
96:	Revolutions
97:	100 revolutions / minute
98:	10 revolutions / minute
99:	0.1 revolutions / minute
100:	Thousandth revolution / minute
101:	Pulses / second
102:	100 pulses / second
103:	10 revolutions / (minute x seconds)
104:	10000 pulses/second ²
105:	0.1 Hertz
106:	0.01 Hertz
107:	0.1 / seconds
108:	Factor 0.1
109:	Factor 0.01
110:	Factor 0.001
111:	Factor 0.0001
112:	0.1 Volt peak-to-peak
113:	0.1 Volt peak-to-peak
114:	0.1 amps peak-to-peak
115:	Watt
116:	100 Watt
117:	10 Watt
118:	0.01 percent
119:	1/second ³
120:	0.01 percent/millisecond
121:	Pulses / revolution
122:	Microfarads
123:	Milliohm
124:	0.01 Newton meter
125:	Kilogram millimeter ²
126:	Rad / (seconds newton meter)
127:	Henry
128:	Kelvin
129:	Hours
130:	Kilohertz
131:	Milliamperes peak-to-peak
132:	Millifarads

- 133: Meter
- 135: Kilowatt hours
- 136: Percent
- 137: Amps / Volt
- 138: Volt
- 139: Millivolts
- 140: Microvolts
- 141: Amps
- 142: Milliampere
- 143: Micro amp
- 144: Milliampere rms
- 145: Millimeter
- 146: Nanometer
- 147: Joules

r7841[0...15]

Power Module serial number / PM serial no.

Access level: 4	Calculated: -	Data type: Unsigned8
Can be changed: -	Scaling: -	Dyn. index: -
Units group: -	Unit selection: -	Func. diagram: -
Min	Max	Factory setting
-	-	-

Description:

Displays the actual serial number of the Power Module.
The individual characters of the serial number are displayed in the ASCII code in the indices.

Notice:

An ASCII table (excerpt) can be found, for example, in the appendix to the List Manual.

r7843[0...20]

Memory card serial number / Mem_card ser.no

Access level: 1	Calculated: -	Data type: Unsigned8
Can be changed: -	Scaling: -	Dyn. index: -
Units group: -	Unit selection: -	Func. diagram: -
Min	Max	Factory setting
-	-	-

Description:

Displays the actual serial number of the memory card.
The individual characters of the serial number are displayed in the ASCII code in the indices.

Dependency:

Refer to: p9920, p9921

Notice:

An ASCII table (excerpt) can be found, for example, in the appendix to the List Manual.

Note:

Example: displaying the serial number for a memory card:
r7843[0] = 49 dec --> ASCII characters = "1" --> serial number, character 1
r7843[1] = 49 dec --> ASCII characters = "1" --> serial number, character 2
r7843[2] = 49 dec --> ASCII characters = "1" --> serial number, character 3
r7843[3] = 57 dec --> ASCII characters = "9" --> serial number, character 4
r7843[4] = 50 dec --> ASCII characters = "2" --> serial number, character 5
r7843[5] = 51 dec --> ASCII characters = "3" --> serial number, character 6
r7843[6] = 69 dec --> ASCII characters = "E" --> serial number, character 7
r7843[7] = 0 dec --> ASCII characters = " " --> serial number, character 8
...
r7843[19] = 0 dec --> ASCII characters = " " --> serial number, character 20
r7843[20] = 0 dec
Serial number = 111923E

r7850[0...n]	Drive object operational/not operational / DO ready for oper		
	Access level: 4	Calculated: -	Data type: Integer16
	Can be changed: -	Scaling: -	Dyn. index: -
	Units group: -	Unit selection: -	Func. diagram: -
	Min	Max	Factory setting
	-32786	32767	-
Description:	Displays whether, for an activated drive object, all activated topology components are available or not (or whether these can be addressed). 0: Drive object not ready for operation 1: Drive object ready for operation		
r7901[0...81]	Sampling times / t_sample		
	Access level: 4	Calculated: -	Data type: FloatingPoint32
	Can be changed: -	Scaling: -	Dyn. index: -
	Units group: -	Unit selection: -	Func. diagram: -
	Min	Max	Factory setting
	- [µs]	- [µs]	- [µs]
Description:	Displays the sampling times currently present on the drive unit. r7901[0...63]: sampling times of hardware time slices. r7901[64...82]: sampling times of software time slices. r7901[x] = 0 means that in the associated time slice, no methods have been registered.		
Note:	The basis for the software time slices is T_NRK = p7901[13].		
r7903	Hardware sampling times still assignable / HW t_samp free		
	Access level: 3	Calculated: -	Data type: Unsigned16
	Can be changed: -	Scaling: -	Dyn. index: -
	Units group: -	Unit selection: -	Func. diagram: -
	Min	Max	Factory setting
	-	-	-
Description:	Displays the number of hardware sampling times that can still be assigned. These free sampling times can be used by OA applications such as DCC or FBLOCKS.		
Note:	OA: Open Architecture		
r8570[0...39]	Macro drive object / Macro DO		
	Access level: 1	Calculated: -	Data type: Unsigned32
	Can be changed: -	Scaling: -	Dyn. index: -
	Units group: -	Unit selection: -	Func. diagram: -
	Min	Max	Factory setting
	-	-	-
Description:	Displays the macro file saved in the appropriate directory on the memory card/device memory.		
Dependency:	Refer to: p0015		
Note:	For a value = 9999999, the following applies: The read operation is still running.		
r8571[0...39]	Macro Binector Input (BI) / Macro BI		
	Access level: 4	Calculated: -	Data type: Unsigned32
	Can be changed: -	Scaling: -	Dyn. index: -
	Units group: -	Unit selection: -	Func. diagram: -
	Min	Max	Factory setting
	-	-	-
Description:	Displays the ACX file saved in the appropriate directory in the non-volatile memory.		
Note:	For a value = 9999999, the following applies: The read operation is still running.		

r8572[0...39]	Macro Connector Inputs (CI) for speed setpoints / Macro CI n_set		
	Access level: 4	Calculated: -	Data type: Unsigned32
	Can be changed: -	Scaling: -	Dyn. index: -
	Units group: -	Unit selection: -	Func. diagram: -
	Min	Max	Factory setting
	-	-	-
Description:	Displays the ACX file saved in the appropriate directory in the non-volatile memory.		
Dependency:	Refer to: p1000		
Note:	For a value = 9999999, the following applies: The read operation is still running.		
r8573[0...39]	Macro Connector Inputs (CI) for torque setpoints / Macro CI M_set		
	Access level: 4	Calculated: -	Data type: Unsigned32
	Can be changed: -	Scaling: -	Dyn. index: -
	Units group: -	Unit selection: -	Func. diagram: -
	Min	Max	Factory setting
	-	-	-
Description:	Displays the ACX file saved in the appropriate directory in the non-volatile memory.		
Dependency:	Refer to: p1500		
Note:	For a value = 9999999, the following applies: The read operation is still running.		
r8585	Macro execution actual / Macro executed		
	Access level: 3	Calculated: -	Data type: Unsigned16
	Can be changed: -	Scaling: -	Dyn. index: -
	Units group: -	Unit selection: -	Func. diagram: -
	Min	Max	Factory setting
	-	-	-
Description:	Displays the macro currently being executed on the drive object.		
Dependency:	Refer to: p0015, p1000, p1500, r8570, r8571, r8572, r8573		
r8600	CAN device type / Device type		
CU250S_V_CAN	Access level: 3	Calculated: -	Data type: Unsigned32
	Can be changed: -	Scaling: -	Dyn. index: -
	Units group: -	Unit selection: -	Func. diagram: -
	Min	Max	Factory setting
	-	-	-
Description:	Displays all of the devices connected to the CAN bus after run-up. r8600 = 00000000 hex: No drive recognized. = 02010192 hex: 1 Vector drive		
Note:	Corresponds to the CANopen object 1000 hex. For each detected drive, the device type is displayed in object 67FF hex.		
r8601	CAN error register / Error register		
CU250S_V_CAN	Access level: 3	Calculated: -	Data type: Unsigned8
	Can be changed: -	Scaling: -	Dyn. index: -
	Units group: -	Unit selection: -	Func. diagram: -
	Min	Max	Factory setting
	-	-	-
Description:	Displays the error register for CANopen. Bit 0: Generic error. 0 signal: No error present. 1 signal: Generic error present.		

Bit 1 ... 3: Not supported (always a 0 signal).
 Bit 4: Communications error.
 0 signal: There is no message in the range 8700 ... 8799.
 1 signal: There is at least one message (fault or alarm) in the range 8700 ... 8799.
 Bit 5 ... 6: Not supported (always a 0 signal).
 Bit 7: Fault outside the range 8700 ... 8799.
 0 signal: There is no fault outside the range 8700 ... 8799.
 1 signal: There is at least one fault outside the range 8700 ... 8799.

Note: Corresponds to the CANopen object 1001 hex.

p8602	CAN SYNC object / SYNC object		
CU250S_V_CAN	Access level: 3	Calculated: -	Data type: Unsigned32
	Can be changed: T	Scaling: -	Dyn. index: -
	Units group: -	Unit selection: -	Func. diagram: -
	Min	Max	Factory setting
	0000 hex	FFFF FFFF hex	0080 hex
Description:	Sets the SYNC object parameter for the following CANopen objects: - 1005 hex: COB-ID		
Note:	SINAMICS operates as SYNC load. COB-ID: CAN object identification		

p8603	CAN COB-ID Emergency Message / COB-ID EMCY Msg		
CU250S_V_CAN	Access level: 3	Calculated: -	Data type: Unsigned32
	Can be changed: T	Scaling: -	Dyn. index: -
	Units group: -	Unit selection: -	Func. diagram: -
	Min	Max	Factory setting
	0000 hex	FFFF FFFF hex	0000 hex
Description:	Sets the COB-ID for the emergency message (error telegram). It corresponds to the CANopen objects: - 1014 hex: COB-ID		
Note:	If, when downloading, the pre-set value 0 is downloaded, then the CANopen pre-set value 80 hex + Node-ID is automatically set. Online, the value 0 is rejected as, according to the CANopen Standard, COB-ID 0 is not permitted here. The changeover of the node ID using the hardware switch at the Control Unit or per software has no effect on the COB-ID EMCY. The saved value remains effective.		

p8604[0...1]	CAN life guarding / Life guarding		
CU250S_V_CAN	Access level: 3	Calculated: -	Data type: Unsigned16
	Can be changed: T	Scaling: -	Dyn. index: -
	Units group: -	Unit selection: -	Func. diagram: -
	Min	Max	Factory setting
	0	65535	0
Description:	Sets the life guarding parameter for the following CANopen objects: - 100C hex: Guard Time - 100D hex: Life Time Factor The life time is derived by multiplying guard time by the life time factor.		
Index:	[0] = Time interval [ms] for the life time [1] = Factor for the lifetime		
Dependency:	Refer to: p8606		
Note:	For p8604[0] = 0 and/or p8604[1] = 0, the life guarding event service (monitoring the node guarding, fault F08700 with fault value = 2) is deactivated. The node guarding protocol is active without the life guarding event service, if the heartbeat protocol is deactivated (p8606 = 0).		

2 Parameters

2.2 List of parameters

p8606	CAN Producer Heartbeat Time / Prod Heartb Time		
CU250S_V_CAN	Access level: 3	Calculated: -	Data type: Unsigned16
	Can be changed: T	Scaling: -	Dyn. index: -
	Units group: -	Unit selection: -	Func. diagram: -
	Min	Max	Factory setting
	0 [ms]	65535 [ms]	0 [ms]
Description:	Sets the time [ms] to cyclically send heartbeat telegrams. The smallest cycle is 100 ms. For p8606 = 0, heartbeat telegrams are not sent.		
Dependency:	Refer to: p8604		
Note:	Corresponds to the CANopen object 1017 hex. Activating the heartbeat protocol automatically deactivates the node guarding.		

r8607[0...3]	CAN Identity Object / Identity object		
CU250S_V_CAN	Access level: 3	Calculated: -	Data type: Unsigned32
	Can be changed: -	Scaling: -	Dyn. index: -
	Units group: -	Unit selection: -	Func. diagram: -
	Min	Max	Factory setting
	-	-	-
Description:	General device information display.		
Index:	[0] = Vendor ID [1] = Product code [2] = Revision number [3] = Serial number		
Note:	Corresponds to the CANopen object 1018 hex. Re index 3: The SINAMICS serial number comprises 60 bits. Of these bits, the following are displayed in this index: Bits 0 ... 19: Consecutive number Bits 20 ... 23: Production ID - 0 hex: Development - 1 hex: P1 unique number - 2 hex: P2 unique number - 3 hex: WA unique number - 9 hex: Pattern - F hex: All others Bits 24 ... 27: Month of manufacture (0 means January, B means December) Bits 28 ... 31: Year of manufacture (0 means 2002)		

p8608[0...1]	CAN Clear Bus Off Error / Clear bus off err		
CU250S_V_CAN	Access level: 3	Calculated: -	Data type: Integer16
	Can be changed: U, T	Scaling: -	Dyn. index: -
	Units group: -	Unit selection: -	Func. diagram: -
	Min	Max	Factory setting
	0	1	0
Description:	As a result of a Bus Off error, the CAN controller is set into the initialization state. Index 0: The CAN controller is manually started after resolving the cause of the error with p8608[0] = 1. Index 1: The automatic CAN bus start function is activated using p8608[1] = 1. At 2 second intervals, the CAN controller is automatically restarted until the cause of the error has been resolved and a CAN connection has been established.		
Value:	0: Inactive 1: Start CAN controller		

Index: [0] = Manual controller start function
[1] = Activating the automatic controller start function

Note: Re index 0:
This parameter is automatically reset to 0 after start.

p8609[0...1]	CAN Error Behavior / Error behavior		
CU250S_V_CAN	Access level: 3	Calculated: -	Data type: Integer16
	Can be changed: T	Scaling: -	Dyn. index: -
	Units group: -	Unit selection: -	Func. diagram: -
	Min	Max	Factory setting
	0	2	1
Description:	Sets the behavior of the CAN node referred to the communications error or equipment fault.		
Value:	0: Pre-operational 1: No change 2: Stopped		
Index:	[0] = Behavior for communication errors [1] = Behavior for device faults		
Note:	Corresponds to the CANopen object 1029 hex.		

r8610[0...1]	CAN First Server SDO / First server SDO		
CU250S_V_CAN	Access level: 3	Calculated: -	Data type: Unsigned32
	Can be changed: -	Scaling: -	Dyn. index: -
	Units group: -	Unit selection: -	Func. diagram: -
	Min	Max	Factory setting
	-	-	-
Description:	Displays the identifier (client/server and server/client) of the SDO channel.		
Index:	[0] = COB-ID from the client to the server [1] = COB-ID from the server to the client		
Note:	Corresponds to the CANopen object 1200 hex. SDO: Service Data Object		

p8611[0...82]	CAN Pre-defined Error Field / Pre_def err field		
CU250S_V_CAN	Access level: 3	Calculated: -	Data type: Unsigned32
	Can be changed: U, T	Scaling: -	Dyn. index: -
	Units group: -	Unit selection: -	Func. diagram: -
	Min	Max	Factory setting
	0000 hex	FFFF 1000 hex	0000 hex
Description:	Displays the Pre-defined Error Field of the CAN node. It includes the number of all errors that have occurred, the number of errors that have occurred for each drive and the errors according to their history. The first 16 bits represent the CANopen error code and the second 16 bits the SINAMICS error code. Index 1 has the same structure - however, the drive object ID is in the second 16 bits instead of the SINAMICS error code. CANopen error code: 0000 hex: No error present. 8110 hex: Alarm A08751 present. 8120 hex: Alarm A08752 present. 8130 hex: Alarm A08700(F) with alarm value = 2 present. 1000 hex: Generic error 1 present (there is at least one fault outside the range 8700 ... 8799) 1001 hex: Generic error 2 present (there is at least one alarm in the range 8700 ... 8799 with the exception of A08751, A08752, A08700) All drive objects are acknowledged by writing the value 0 to index 0. As soon as a fault has been acknowledged or an alarm cleared, then it is also cleared from the fault list.		
Index:	[0] = Number of all faults in the drive unit [1] = Most recent drive number / fault number [2] = Number of faults drive 1		

2 Parameters

2.2 List of parameters

[3] = Fault 1/ drive 1
[4] = Fault 2/ drive 1
[5] = Fault 3/ drive 1
[6] = Fault 4/ drive 1
[7] = Fault 5/ drive 1
[8] = Fault 6/ drive 1

Note: Corresponds to the CANopen object 1003 hex.

p8620	CAN Node-ID / Node ID		
CU250S_V_CAN	Access level: 2	Calculated: -	Data type: Unsigned8
	Can be changed: T	Scaling: -	Dyn. index: -
	Units group: -	Unit selection: -	Func. diagram: -
	Min	Max	Factory setting
	1	127	126
Description:	Display or setting of the CANopen Node ID. The Node ID can be set as follows: 1) Using the address switch on the Control Unit. --> p8620 can then only be read and displays the selected Node ID. --> A change only becomes effective after a POWER ON. --> CANopen Node ID and PROFIBUS address are identical. 2) Using p8620 --> Only if address 0 is set using the address switch. --> the Node ID is set as standard to 126. --> A change only becomes effective after save and POWER ON.		
Dependency:	Refer to: r8621		
Notice:	For p0014 = 1, the following applies: After the value has been modified, no further parameter modifications can be made and the status is shown in r3996. Modifications can be made again when r3996 = 0. For p0014 = 0, the following applies: Before a changed setting becomes permanently effective, a non-volatile RAM to ROM data save is required. To do this, set p0971 = 1 or p0014 = 1.		
Note:	Every node ID change only becomes effective after a POWER ON. The active node ID is displayed in r8621. The parameter is not influenced by setting the factory setting. It is only possible to independently set CANopen Node ID and the PROFIBUS address using p0918 and p8620 (prerequisite: the address 0 is set for the address switch).		

r8621	CAN Node-ID active / Node ID active		
CU250S_V_CAN	Access level: 3	Calculated: -	Data type: Unsigned8
	Can be changed: -	Scaling: -	Dyn. index: -
	Units group: -	Unit selection: -	Func. diagram: -
	Min	Max	Factory setting
	-	-	-
Description:	Displays the active CANopen Node ID.		
Dependency:	Refer to: p8620		

p8622	CAN bit rate / Bit rate		
CU250S_V_CAN	Access level: 3	Calculated: -	Data type: Integer16
	Can be changed: T	Scaling: -	Dyn. index: -
	Units group: -	Unit selection: -	Func. diagram: -
	Min	Max	Factory setting
	0	7	6
Description:	Setting the bit rate for the CAN bus. The appropriate bit timings are selected that are defined in p8623 in the associated sub-index.		

Example:

Bit rate = 20 kbit/s --> p8622 = 6 --> associated bit timing is in p8623[6].

Value:

0: 1 Mbit/s
 1: 800 kbit/s
 2: 500 kbit/s
 3: 250 kbit/s
 4: 125 kbit/s
 5: 50 kbit/s
 6: 20 kbit/s
 7: 10 kbit/s

Dependency:

Refer to: p8623

Notice:

For p0014 = 1, the following applies:

After the value has been modified, no further parameter modifications can be made and the status is shown in r3996. Modifications can be made again when r3996 = 0.

For p0014 = 0, the following applies:

Before a changed setting becomes permanently effective, a non-volatile RAM to ROM data save is required. To do this, set p0971 = 1 or p0014 = 1.

Note:

The parameter is not influenced by setting the factory setting.

p8623[0...7]**CAN Bit Timing selection / Bit timing select**

CU250S_V_CAN

Access level: 3

Calculated: -

Data type: Unsigned32

Can be changed: T

Scaling: -

Dyn. index: -

Units group: -

Unit selection: -

Func. diagram: -

Min

Max

Factory setting

0000 hex

000F 7FFF hex

[0] 1405 hex

[1] 1605 hex

[2] 1C05 hex

[3] 1C0B hex

[4] 1C17 hex

[5] 1C3B hex

[6] 0002 1C15 hex

[7] 0004 1C2B hex

Description:

Sets the bit timing for the C_CAN controller to the associated and selected bit rate (p8622).

Bits are distributed to the following parameters of the C_CAN controller in p8623[0...7]:

Bit 0 ... 5: BRP (Baud Rate Prescaler)

Bit 6 ... 7: SJW (Synchronization Jump Width)

Bit 8 ... 11: TSEG1 (Time Segment 1, before the sampling point)

Bit 12 ... 14: TSEG2 (Time Segment 2, after the sampling point)

Bit 15: Reserved

Bit 16 ... 19: BRPE (Baud Rate Prescaler Extension)

Bit 20 ... 31: Reserved

Example:

Bit rate = 20 kbit/s --> p8622 = 6 --> associated bit timing is in p8623[6] --> 0001 2FB6

Recommend.:

Use the factory setting when setting the bit timing.

Index:

[0] = 1 Mbit/s

[1] = 800 kbit/s

[2] = 500 kbit/s

[3] = 250 kbit/s

[4] = 125 kbit/s

[5] = 50 kbit/s

[6] = 20 kbit/s

[7] = 10 kbit/s

Dependency:

Refer to: p8622

Note:

The parameter is not influenced by setting the factory setting.

p8630[0...2]	CAN virtual objects / Virtual objects		
CU250S_V_CAN	Access level: 3	Calculated: -	Data type: Unsigned16
	Can be changed: U, T	Scaling: -	Dyn. index: -
	Units group: -	Unit selection: -	Func. diagram: -
	Min	Max	Factory setting
	0	65535	0
Description:	Activating access to parameters via manufacturer-specific CANopen objects and setting for the subindex area (index 1) and the parameter area (index 2) when using virtual objects. This means that it is possible to access all SINAMICS parameters via CAN. Index 0: 0: Not possible to access virtual CANopen objects 1: Possible to access virtual CANopen objects Index 1 (sub-index area): 0: 0 ... 255 1: 256 ... 511 2: 512 ... 767 3: 768 ... 1023 Index 2 (parameter area): 0: 1 ... 9999 1: 10000 ... 19999 2: 20000 ... 29999 3: 30000 ... 39999		
Index:	[0] = Drive object number [1] = Sub-index range [2] = Parameter range		

p8641	CAN Abort Connection Option Code / Abort con opt code		
CU250S_V_CAN	Access level: 3	Calculated: -	Data type: Integer16
	Can be changed: T	Scaling: -	Dyn. index: -
	Units group: -	Unit selection: -	Func. diagram: -
	Min	Max	Factory setting
	0	3	3
Description:	Sets the drive behavior if a CAN communication error occurs.		
Value:	0: No response 1: OFF1 2: OFF2 3: OFF3		

r8680[0...36]	CAN Diagnosis Hardware / Diagnostics HW		
CU250S_V_CAN	Access level: 3	Calculated: -	Data type: Unsigned16
	Can be changed: -	Scaling: -	Dyn. index: -
	Units group: -	Unit selection: -	Func. diagram: -
	Min	Max	Factory setting
	-	-	-
Description:	Displays the register of the CAN controller C_CAN: Register, Message Interface Register and Message Handler Register - referred to the CAN protocol.		
Index:	[0] = Control register [1] = Status register [2] = Error counter [3] = Bit timing register [4] = Interrupt register [5] = Test register [6] = Baud rate prescaler extension register [7] = Interface 1 command request register [8] = Interface 1 command mask register		

Note: A description of the individual registers of the C_CAN controller can be taken from "C_CAN User's Manual".

p8684	CAN NMT state after booting / NMT state aft boot		
CU250S_V_CAN	Access level: 3	Calculated: -	Data type: Integer16
	Can be changed: T	Scaling: -	Dyn. index: -
	Units group: -	Unit selection: -	Func. diagram: -
	Min	Max	Factory setting
	4	127	127

Description: Sets the CANopen NMT state that is effective after booting.

Value: 4: Stopped
5: Operational
127: Pre-operational

Dependency: Refer to: p8685

Note: Booting in the NMT state pre-operational corresponds to the CANopen standard

p8685	CAN NMT states / NMT states		
CU250S_V_CAN	Access level: 3	Calculated: -	Data type: Integer16
	Can be changed: U, T	Scaling: -	Dyn. index: -
	Units group: -	Unit selection: -	Func. diagram: -
	Min	Max	Factory setting
	0	129	127

Description: Sets and displays the CANopen NMT state.

Value: 0: Initialization
4: Stopped
5: Operational
127: Pre-operational
128: Reset node
129: Reset Communication

Note: The value 0 (initialization) is only displayed and cannot be set.

p8699	CAN: RPDO monitoring time / RPDO t_monit		
CU250S_V_CAN	Access level: 3	Calculated: -	Data type: FloatingPoint32
	Can be changed: U, T	Scaling: -	Dyn. index: -
	Units group: -	Unit selection: -	Func. diagram: -
	Min	Max	Factory setting
	0 [ms]	65535000 [ms]	0 [ms]

Description: Sets the monitoring time for the process data received via the CAN bus.
A value that is not a multiple integer of the CANopen sampling time is rounded-off.
If no process data is received within this time, then fault F08702 is output.

Note: Value = 0: Monitoring is de-activated.
p2048: CANopen sampling time

p8700[0...1]	CAN Receive PDO 1 / Receive PDO 1		
CU250S_V_CAN	Access level: 3	Calculated: -	Data type: Unsigned32
	Can be changed: C(3), T	Scaling: -	Dyn. index: -
	Units group: -	Unit selection: -	Func. diagram: 9204, 9206
	Min	Max	Factory setting
	0000 hex	8000 06DF hex	[0] 8000 06DF hex [1] 00FE hex

Description: Sets the communication parameters for CANopen Receive Process Data Object 1 (RPDO 1).

Index: [0] = PDO COB-ID
[1] = PDO transmission type

Dependency: A valid COB-ID can only be set for the available (existing) channel.

2 Parameters

2.2 List of parameters

Note: Corresponds to the CANopen object 1400 hex.
Transmission types 0, 1, FE and FF can be set.
PDO: Process Data Object

p8701[0...1]	CAN Receive PDO 2 / Receive PDO 2		
CU250S_V_CAN	Access level: 3	Calculated: -	Data type: Unsigned32
	Can be changed: C(3), T	Scaling: -	Dyn. index: -
	Units group: -	Unit selection: -	Func. diagram: 9204, 9206
	Min	Max	Factory setting
	0000 hex	8000 06DF hex	[0] 8000 06DF hex [1] 00FE hex

Description: Sets the communication parameters for CANopen Receive Process Data Object 2 (RPDO 2).

Index: [0] = PDO COB-ID
[1] = PDO transmission type

Dependency: A valid COB-ID can only be set for the available (existing) channel.

Note: Corresponds to the CANopen object 1401 hex.
Transmission types 0, 1, FE and FF can be set.
PDO: Process Data Object

p8702[0...1]	CAN Receive PDO 3 / Receive PDO 3		
CU250S_V_CAN	Access level: 3	Calculated: -	Data type: Unsigned32
	Can be changed: C(3), T	Scaling: -	Dyn. index: -
	Units group: -	Unit selection: -	Func. diagram: 9204, 9206
	Min	Max	Factory setting
	0000 hex	8000 06DF hex	[0] 8000 06DF hex [1] 00FE hex

Description: Sets the communication parameters for CANopen Receive Process Data Object 3 (RPDO 3).

Index: [0] = PDO COB-ID
[1] = PDO transmission type

Dependency: A valid COB-ID can only be set for the available (existing) channel.

Note: Corresponds to the CANopen object 1402 hex.
Transmission types 0, 1, FE and FF can be set.
PDO: Process Data Object

p8703[0...1]	CAN Receive PDO 4 / Receive PDO 4		
CU250S_V_CAN	Access level: 3	Calculated: -	Data type: Unsigned32
	Can be changed: C(3), T	Scaling: -	Dyn. index: -
	Units group: -	Unit selection: -	Func. diagram: 9204, 9206
	Min	Max	Factory setting
	0000 hex	8000 06DF hex	[0] 8000 06DF hex [1] 00FE hex

Description: Sets the communication parameters for CANopen Receive Process Data Object 4 (RPDO 4).

Index: [0] = PDO COB-ID
[1] = PDO transmission type

Dependency: A valid COB-ID can only be set for the available (existing) channel.

Note: Corresponds to the CANopen object 1403 hex.
Transmission types 0, 1, FE and FF can be set.
PDO: Process Data Object

p8704[0...1]	CAN Receive PDO 5 / Receive PDO 5		
CU250S_V_CAN	Access level: 3	Calculated: -	Data type: Unsigned32
	Can be changed: C(3), T	Scaling: -	Dyn. index: -
	Units group: -	Unit selection: -	Func. diagram: 9204
	Min	Max	Factory setting
	0000 hex	8000 06DF hex	[0] 8000 06DF hex [1] 00FE hex
Description:	Sets the communication parameters for CANopen Receive Process Data Object 5 (RPDO 5).		
Index:	[0] = PDO COB-ID [1] = PDO transmission type		
Dependency:	A valid COB-ID can only be set for the available (existing) channel.		
Note:	Corresponds to the CANopen object 1404 hex. Transmission types 0, 1, FE and FF can be set. PDO: Process Data Object		

p8705[0...1]	CAN Receive PDO 6 / Receive PDO 6		
CU250S_V_CAN	Access level: 3	Calculated: -	Data type: Unsigned32
	Can be changed: C(3), T	Scaling: -	Dyn. index: -
	Units group: -	Unit selection: -	Func. diagram: 9204
	Min	Max	Factory setting
	0000 hex	8000 06DF hex	[0] 8000 06DF hex [1] 00FE hex
Description:	Sets the communication parameters for CANopen Receive Process Data Object 6 (RPDO 6).		
Index:	[0] = PDO COB-ID [1] = PDO transmission type		
Dependency:	A valid COB-ID can only be set for the available (existing) channel.		
Note:	Corresponds to the CANopen object 1405 hex. Transmission types 0, 1, FE and FF can be set. PDO: Process Data Object		

p8706[0...1]	CAN Receive PDO 7 / Receive PDO 7		
CU250S_V_CAN	Access level: 3	Calculated: -	Data type: Unsigned32
	Can be changed: C(3), T	Scaling: -	Dyn. index: -
	Units group: -	Unit selection: -	Func. diagram: 9204
	Min	Max	Factory setting
	0000 hex	8000 06DF hex	[0] 8000 06DF hex [1] 00FE hex
Description:	Sets the communication parameters for CANopen Receive Process Data Object 7 (RPDO 7).		
Index:	[0] = PDO COB-ID [1] = PDO transmission type		
Dependency:	A valid COB-ID can only be set for the available (existing) channel.		
Note:	Corresponds to the CANopen object 1406 hex. Transmission types 0, 1, FE and FF can be set. PDO: Process Data Object		

2 Parameters

2.2 List of parameters

p8707[0...1]	CAN Receive PDO 8 / Receive PDO 8		
CU250S_V_CAN	Access level: 3	Calculated: -	Data type: Unsigned32
	Can be changed: C(3), T	Scaling: -	Dyn. index: -
	Units group: -	Unit selection: -	Func. diagram: 9204
	Min	Max	Factory setting
	0000 hex	8000 06DF hex	[0] 8000 06DF hex [1] 00FE hex
Description:	Sets the communication parameters for CANopen Receive Process Data Object 8 (RPDO 8).		
Index:	[0] = PDO COB-ID [1] = PDO transmission type		
Dependency:	A valid COB-ID can only be set for the available (existing) channel.		
Note:	Corresponds to the CANopen object 1407 hex. Transmission types 0, 1, FE and FF can be set. PDO: Process Data Object		

p8710[0...3]	CAN Receive Mapping for RPDO 1 / Mapping RPDO 1		
CU250S_V_CAN	Access level: 3	Calculated: -	Data type: Unsigned32
	Can be changed: C(3), T	Scaling: -	Dyn. index: -
	Units group: -	Unit selection: -	Func. diagram: 9204, 9206
	Min	Max	Factory setting
	0000 hex	FFFF FFFF hex	0000 hex
Description:	Sets the mapping parameters for CANopen Receive Process Data Object 1 (RPDO 1).		
Index:	[0] = Mapped object 1 [1] = Mapped object 2 [2] = Mapped object 3 [3] = Mapped object 4		
Note:	Corresponds to the CANopen object 1600 hex. Dummy mapping not supported. The parameter can only be written online when the associated COB ID in p870x is set as invalid.		

p8711[0...3]	CAN Receive Mapping for RPDO 2 / Mapping RPDO 2		
CU250S_V_CAN	Access level: 3	Calculated: -	Data type: Unsigned32
	Can be changed: C(3), T	Scaling: -	Dyn. index: -
	Units group: -	Unit selection: -	Func. diagram: 9204, 9206
	Min	Max	Factory setting
	0000 hex	FFFF FFFF hex	0000 hex
Description:	Sets the mapping parameters for CANopen Receive Process Data Object 2 (RPDO 2).		
Index:	[0] = Mapped object 1 [1] = Mapped object 2 [2] = Mapped object 3 [3] = Mapped object 4		
Note:	Corresponds to the CANopen object 1601 hex. Dummy mapping not supported. The parameter can only be written online when the associated COB ID in p870x is set as invalid.		

p8712[0...3]	CAN Receive Mapping for RPDO 3 / Mapping RPDO 3		
CU250S_V_CAN	Access level: 3	Calculated: -	Data type: Unsigned32
	Can be changed: C(3), T	Scaling: -	Dyn. index: -
	Units group: -	Unit selection: -	Func. diagram: 9204, 9206
	Min	Max	Factory setting
	0000 hex	FFFF FFFF hex	0000 hex
Description:	Sets the mapping parameters for CANopen Receive Process Data Object 3 (RPDO 3).		
Index:	[0] = Mapped object 1 [1] = Mapped object 2		

[2] = Mapped object 3

[3] = Mapped object 4

Note:

Corresponds to the CANopen object 1602 hex.

Dummy mapping not supported.

The parameter can only be written online when the associated COB ID in p870x is set as invalid.

p8713[0...3]**CAN Receive Mapping for RPDO 4 / Mapping RPDO 4**

CU250S_V_CAN

Access level: 3**Calculated:** -**Data type:** Unsigned32**Can be changed:** C(3), T**Scaling:** -**Dyn. index:** -**Units group:** -**Unit selection:** -**Func. diagram:** 9204, 9206**Min****Max****Factory setting**

0000 hex

FFFF FFFF hex

0000 hex

Description:

Sets the mapping parameters for CANopen Receive Process Data Object 4 (RPDO 4).

Index:

[0] = Mapped object 1

[1] = Mapped object 2

[2] = Mapped object 3

[3] = Mapped object 4

Note:

Corresponds to the CANopen object 1603 hex.

Dummy mapping not supported.

The parameter can only be written online when the associated COB ID in p870x is set as invalid.

p8714[0...3]**CAN Receive Mapping for RPDO 5 / Mapping RPDO 5**

CU250S_V_CAN

Access level: 3**Calculated:** -**Data type:** Unsigned32**Can be changed:** C(3), T**Scaling:** -**Dyn. index:** -**Units group:** -**Unit selection:** -**Func. diagram:** 9204**Min****Max****Factory setting**

0000 hex

FFFF FFFF hex

0000 hex

Description:

Sets the mapping parameters for CANopen Receive Process Data Object 5 (RPDO 5).

Index:

[0] = Mapped object 1

[1] = Mapped object 2

[2] = Mapped object 3

[3] = Mapped object 4

Note:

Corresponds to the CANopen object 1604 hex.

Dummy mapping not supported.

The parameter can only be written online when the associated COB ID in p870x is set as invalid.

p8715[0...3]**CAN Receive Mapping for RPDO 6 / Mapping RPDO 6**

CU250S_V_CAN

Access level: 3**Calculated:** -**Data type:** Unsigned32**Can be changed:** C(3), T**Scaling:** -**Dyn. index:** -**Units group:** -**Unit selection:** -**Func. diagram:** 9204**Min****Max****Factory setting**

0000 hex

FFFF FFFF hex

0000 hex

Description:

Sets the mapping parameters for CANopen Receive Process Data Object 6 (RPDO 6).

Index:

[0] = Mapped object 1

[1] = Mapped object 2

[2] = Mapped object 3

[3] = Mapped object 4

Note:

Corresponds to the CANopen object 1605 hex.

Dummy mapping not supported.

The parameter can only be written online when the associated COB ID in p870x is set as invalid.

p8716[0...3]	CAN Receive Mapping for RPDO 7 / Mapping RPDO 7		
CU250S_V_CAN	Access level: 3	Calculated: -	Data type: Unsigned32
	Can be changed: C(3), T	Scaling: -	Dyn. index: -
	Units group: -	Unit selection: -	Func. diagram: 9204
	Min	Max	Factory setting
	0000 hex	FFFF FFFF hex	0000 hex
Description:	Sets the mapping parameters for CANopen Receive Process Data Object 7 (RPDO 7).		
Index:	[0] = Mapped object 1 [1] = Mapped object 2 [2] = Mapped object 3 [3] = Mapped object 4		
Note:	Corresponds to the CANopen object 1606 hex. Dummy mapping not supported. The parameter can only be written online when the associated COB ID in p870x is set as invalid.		
p8717[0...3]	CAN Receive Mapping for RPDO 8 / Mapping RPDO 8		
CU250S_V_CAN	Access level: 3	Calculated: -	Data type: Unsigned32
	Can be changed: C(3), T	Scaling: -	Dyn. index: -
	Units group: -	Unit selection: -	Func. diagram: 9204
	Min	Max	Factory setting
	0000 hex	FFFF FFFF hex	0000 hex
Description:	Sets the mapping parameters for CANopen Receive Process Data Object 8 (RPDO 8).		
Index:	[0] = Mapped object 1 [1] = Mapped object 2 [2] = Mapped object 3 [3] = Mapped object 4		
Note:	Corresponds to the CANopen object 1607 hex. Dummy mapping not supported. The parameter can only be written online when the associated COB ID in p870x is set as invalid.		
p8720[0...4]	CAN Transmit PDO 1 / Transmit PDO 1		
CU250S_V_CAN	Access level: 3	Calculated: -	Data type: Unsigned32
	Can be changed: C(3), T	Scaling: -	Dyn. index: -
	Units group: -	Unit selection: -	Func. diagram: 9208, 9210
	Min	Max	Factory setting
	0000 hex	C000 06DF hex	[0] C000 06DF hex [1] 00FE hex [2] 0000 hex [3] 0000 hex [4] 0000 hex
Description:	Sets the communication parameters for CANopen Transmit Process Data Object 1 (TPDO 1).		
Index:	[0] = PDO COB-ID [1] = PDO transmission type [2] = Inhibit time (in 100 µs) [3] = Reserved [4] = Event timer (in ms)		
Dependency:	A valid COB-ID can only be set for the available (existing) channel.		
Notice:	For inhibit time and event timer, the following apply: A value that is not a multiple integer of the CANopen sampling time is rounded-off.		
Note:	Corresponds to the CANopen object 1800 hex. Transmission types 0, 1 ... F0, FE and FF can be set. p2048: CANopen sampling time PDO: Process Data Object		

p8721[0...4]	CAN Transmit PDO 2 / Transmit PDO 2		
CU250S_V_CAN	Access level: 3	Calculated: -	Data type: Unsigned32
	Can be changed: C(3), T	Scaling: -	Dyn. index: -
	Units group: -	Unit selection: -	Func. diagram: 9208, 9210
	Min	Max	Factory setting
	0000 hex	C000 06DF hex	[0] C000 06DF hex
			[1] 00FE hex
			[2] 0000 hex
			[3] 0000 hex
			[4] 0000 hex
Description:	Sets the communication parameters for CANopen Transmit Process Data Object 2 (TPDO 2).		
Index:	[0] = PDO COB-ID [1] = PDO transmission type [2] = Inhibit time (in 100 µs) [3] = Reserved [4] = Event timer (in ms)		
Dependency:	A valid COB-ID can only be set for the available (existing) channel.		
Notice:	For inhibit time and event timer, the following apply: A value that is not a multiple integer of the CANopen sampling time is rounded-off.		
Note:	Corresponds to the CANopen object 1801 hex. Transmission types 0, 1 ... F0, FE and FF can be set. p2048: CANopen sampling time PDO: Process Data Object		

p8722[0...4]	CAN Transmit PDO 3 / Transmit PDO 3		
CU250S_V_CAN	Access level: 3	Calculated: -	Data type: Unsigned32
	Can be changed: C(3), T	Scaling: -	Dyn. index: -
	Units group: -	Unit selection: -	Func. diagram: 9208, 9210
	Min	Max	Factory setting
	0000 hex	C000 06DF hex	[0] C000 06DF hex
			[1] 00FE hex
			[2] 0000 hex
			[3] 0000 hex
			[4] 0000 hex
Description:	Sets the communication parameters for CANopen Transmit Process Data Object 3 (TPDO 3).		
Index:	[0] = PDO COB-ID [1] = PDO transmission type [2] = Inhibit time (in 100 µs) [3] = Reserved [4] = Event timer (in ms)		
Dependency:	A valid COB-ID can only be set for the available (existing) channel.		
Notice:	For inhibit time and event timer, the following apply: A value that is not a multiple integer of the CANopen sampling time is rounded-off.		
Note:	Corresponds to the CANopen object 1802 hex. Transmission types 0, 1 ... F0, FE and FF can be set. p2048: CANopen sampling time PDO: Process Data Object		

p8723[0...4]	CAN Transmit PDO 4 / Transmit PDO 4		
CU250S_V_CAN	Access level: 3	Calculated: -	Data type: Unsigned32
	Can be changed: C(3), T	Scaling: -	Dyn. index: -
	Units group: -	Unit selection: -	Func. diagram: 9208, 9210
	Min	Max	Factory setting
	0000 hex	C000 06DF hex	[0] C000 06DF hex [1] 00FE hex [2] 0000 hex [3] 0000 hex [4] 0000 hex
Description:	Sets the communication parameters for CANopen Transmit Process Data Object 4 (TPDO 4).		
Index:	[0] = PDO COB-ID [1] = PDO transmission type [2] = Inhibit time (in 100 µs) [3] = Reserved [4] = Event timer (in ms)		
Dependency:	A valid COB-ID can only be set for the available (existing) channel.		
Notice:	For inhibit time and event timer, the following apply: A value that is not a multiple integer of the CANopen sampling time is rounded-off.		
Note:	Corresponds to the CANopen object 1803 hex. Transmission types 0, 1 ... F0, FE and FF can be set. p2048: CANopen sampling time PDO: Process Data Object		

p8724[0...4]	CAN Transmit PDO 5 / Transmit PDO 5		
CU250S_V_CAN	Access level: 3	Calculated: -	Data type: Unsigned32
	Can be changed: C(3), T	Scaling: -	Dyn. index: -
	Units group: -	Unit selection: -	Func. diagram: 9208
	Min	Max	Factory setting
	0000 hex	C000 06DF hex	[0] C000 06DF hex [1] 00FE hex [2] 0000 hex [3] 0000 hex [4] 0000 hex
Description:	Sets the communication parameters for CANopen Transmit Process Data Object 5 (TPDO 5).		
Index:	[0] = PDO COB-ID [1] = PDO transmission type [2] = Inhibit time (in 100 µs) [3] = Reserved [4] = Event timer (in ms)		
Dependency:	A valid COB-ID can only be set for the available (existing) channel.		
Notice:	For inhibit time and event timer, the following apply: A value that is not a multiple integer of the CANopen sampling time is rounded-off.		
Note:	Corresponds to the CANopen object 1804 hex. Transmission types 0, 1 ... F0, FE and FF can be set. p2048: CANopen sampling time PDO: Process Data Object		

p8725[0...4]	CAN Transmit PDO 6 / Transmit PDO 6		
CU250S_V_CAN	Access level: 3	Calculated: -	Data type: Unsigned32
	Can be changed: C(3), T	Scaling: -	Dyn. index: -
	Units group: -	Unit selection: -	Func. diagram: 9208
	Min	Max	Factory setting
	0000 hex	C000 06DF hex	[0] C000 06DF hex
			[1] 00FE hex
			[2] 0000 hex
			[3] 0000 hex
			[4] 0000 hex
Description:	Sets the communication parameters for CANopen Transmit Process Data Object 6 (TPDO 6).		
Index:	[0] = PDO COB-ID [1] = PDO transmission type [2] = Inhibit time (in 100 µs) [3] = Reserved [4] = Event timer (in ms)		
Dependency:	A valid COB-ID can only be set for the available (existing) channel.		
Notice:	For inhibit time and event timer, the following apply: A value that is not a multiple integer of the CANopen sampling time is rounded-off.		
Note:	Corresponds to the CANopen object 1805 hex + 40 hex * x (x: Drive number 0 ... 7). Transmission types 0, 1 ... F0, FE and FF can be set. p8848: CANopen sampling time PDO: Process Data Object		

p8726[0...4]	CAN Transmit PDO 7 / Transmit PDO 7		
CU250S_V_CAN	Access level: 3	Calculated: -	Data type: Unsigned32
	Can be changed: C(3), T	Scaling: -	Dyn. index: -
	Units group: -	Unit selection: -	Func. diagram: 9208
	Min	Max	Factory setting
	0000 hex	C000 06DF hex	[0] C000 06DF hex
			[1] 00FE hex
			[2] 0000 hex
			[3] 0000 hex
			[4] 0000 hex
Description:	Sets the communication parameters for CANopen Transmit Process Data Object 7 (TPDO 7).		
Index:	[0] = PDO COB-ID [1] = PDO transmission type [2] = Inhibit time (in 100 µs) [3] = Reserved [4] = Event timer (in ms)		
Dependency:	A valid COB-ID can only be set for the available (existing) channel.		
Notice:	For inhibit time and event timer, the following apply: A value that is not a multiple integer of the CANopen sampling time is rounded-off.		
Note:	Corresponds to the CANopen object 1806 hex + 40 hex * x (x: Drive number 0 ... 7). Transmission types 0, 1 ... F0, FE and FF can be set. p8848: CANopen sampling time PDO: Process Data Object		

p8727[0...4]	CAN Transmit PDO 8 / Transmit PDO 8		
CU250S_V_CAN	Access level: 3	Calculated: -	Data type: Unsigned32
	Can be changed: C(3), T	Scaling: -	Dyn. index: -
	Units group: -	Unit selection: -	Func. diagram: 9208
	Min	Max	Factory setting
	0000 hex	C000 06DF hex	[0] C000 06DF hex [1] 00FE hex [2] 0000 hex [3] 0000 hex [4] 0000 hex
Description:	Sets the communication parameters for CANopen Transmit Process Data Object 8 (TPDO 8).		
Index:	[0] = PDO COB-ID [1] = PDO transmission type [2] = Inhibit time (in 100 µs) [3] = Reserved [4] = Event timer (in ms)		
Dependency:	A valid COB-ID can only be set for the available (existing) channel.		
Notice:	For inhibit time and event timer, the following apply: A value that is not a multiple integer of the CANopen sampling time is rounded-off.		
Note:	Corresponds to the CANopen object 1807 hex. Transmission types 0, 1 ... F0, FE and FF can be set. p2048: CANopen sampling time PDO: Process Data Object		
p8730[0...3]	CAN Transmit Mapping for TPDO 1 / Mapping TPDO 1		
CU250S_V_CAN	Access level: 3	Calculated: -	Data type: Unsigned32
	Can be changed: C(3), T	Scaling: -	Dyn. index: -
	Units group: -	Unit selection: -	Func. diagram: 9208, 9210
	Min	Max	Factory setting
	0000 hex	FFFF FFFF hex	0000 hex
Description:	Sets the mapping parameters for CANopen Transmit Process Data Object 1 (TPDO 1).		
Index:	[0] = Mapped object 1 [1] = Mapped object 2 [2] = Mapped object 3 [3] = Mapped object 4		
Note:	Corresponds to the CANopen object 1A00 hex. The parameter can only be written online when the associated COB ID in p872x is set as invalid.		
p8731[0...3]	CAN Transmit Mapping for TPDO 2 / Mapping TPDO 2		
CU250S_V_CAN	Access level: 3	Calculated: -	Data type: Unsigned32
	Can be changed: C(3), T	Scaling: -	Dyn. index: -
	Units group: -	Unit selection: -	Func. diagram: 9208, 9210
	Min	Max	Factory setting
	0000 hex	FFFF FFFF hex	0000 hex
Description:	Sets the mapping parameters for CANopen Transmit Process Data Object 2 (TPDO 2).		
Index:	[0] = Mapped object 1 [1] = Mapped object 2 [2] = Mapped object 3 [3] = Mapped object 4		
Note:	Corresponds to the CANopen object 1A01 hex. The parameter can only be written online when the associated COB ID in p872x is set as invalid.		

p8732[0...3]	CAN Transmit Mapping for TPDO 3 / Mapping TPDO 3		
CU250S_V_CAN	Access level: 3	Calculated: -	Data type: Unsigned32
	Can be changed: C(3), T	Scaling: -	Dyn. index: -
	Units group: -	Unit selection: -	Func. diagram: 9208, 9210
	Min	Max	Factory setting
	0000 hex	FFFF FFFF hex	0000 hex
Description:	Sets the mapping parameters for CANopen Transmit Process Data Object 3 (TPDO 3).		
Index:	[0] = Mapped object 1 [1] = Mapped object 2 [2] = Mapped object 3 [3] = Mapped object 4		
Note:	Corresponds to the CANopen object 1A02 hex. The parameter can only be written online when the associated COB ID in p872x is set as invalid.		

p8733[0...3]	CAN Transmit Mapping for TPDO 4 / Mapping TPDO 4		
CU250S_V_CAN	Access level: 3	Calculated: -	Data type: Unsigned32
	Can be changed: C(3), T	Scaling: -	Dyn. index: -
	Units group: -	Unit selection: -	Func. diagram: 9208, 9210
	Min	Max	Factory setting
	0000 hex	FFFF FFFF hex	0000 hex
Description:	Sets the mapping parameters for CANopen Transmit Process Data Object 4 (TPDO 4).		
Index:	[0] = Mapped object 1 [1] = Mapped object 2 [2] = Mapped object 3 [3] = Mapped object 4		
Note:	Corresponds to the CANopen object 1A03 hex. The parameter can only be written online when the associated COB ID in p872x is set as invalid.		

p8734[0...3]	CAN Transmit Mapping for TPDO 5 / Mapping TPDO 5		
CU250S_V_CAN	Access level: 3	Calculated: -	Data type: Unsigned32
	Can be changed: C(3), T	Scaling: -	Dyn. index: -
	Units group: -	Unit selection: -	Func. diagram: 9208
	Min	Max	Factory setting
	0000 hex	FFFF FFFF hex	0000 hex
Description:	Sets the mapping parameters for CANopen Transmit Process Data Object 5 (TPDO 5).		
Index:	[0] = Mapped object 1 [1] = Mapped object 2 [2] = Mapped object 3 [3] = Mapped object 4		
Note:	Corresponds to the CANopen object 1A04 hex. The parameter can only be written online when the associated COB ID in p872x is set as invalid.		

p8735[0...3]	CAN Transmit Mapping for TPDO 6 / Mapping TPDO 6		
CU250S_V_CAN	Access level: 3	Calculated: -	Data type: Unsigned32
	Can be changed: C(3), T	Scaling: -	Dyn. index: -
	Units group: -	Unit selection: -	Func. diagram: 9208
	Min	Max	Factory setting
	0000 hex	FFFF FFFF hex	0000 hex
Description:	Sets the mapping parameters for CANopen Transmit Process Data Object 6 (TPDO 6).		
Index:	[0] = Mapped object 1 [1] = Mapped object 2 [2] = Mapped object 3 [3] = Mapped object 4		

2 Parameters

2.2 List of parameters

Note: Corresponds to the CANopen object 1A05 hex.
The parameter can only be written online when the associated COB ID in p872x is set as invalid.

p8736[0...3]	CAN Transmit Mapping for TPDO 7 / Mapping TPDO 7		
CU250S_V_CAN	Access level: 3	Calculated: -	Data type: Unsigned32
	Can be changed: C(3), T	Scaling: -	Dyn. index: -
	Units group: -	Unit selection: -	Func. diagram: 9208
	Min	Max	Factory setting
	0000 hex	FFFF FFFF hex	0000 hex
Description:	Sets the mapping parameters for CANopen Transmit Process Data Object 7 (TPDO 7).		
Index:	[0] = Mapped object 1 [1] = Mapped object 2 [2] = Mapped object 3 [3] = Mapped object 4		
Note:	Corresponds to the CANopen object 1A06 hex. The parameter can only be written online when the associated COB ID in p872x is set as invalid.		

p8737[0...3]	CAN Transmit Mapping for TPDO 8 / Mapping TPDO 8		
CU250S_V_CAN	Access level: 3	Calculated: -	Data type: Unsigned32
	Can be changed: C(3), T	Scaling: -	Dyn. index: -
	Units group: -	Unit selection: -	Func. diagram: 9208
	Min	Max	Factory setting
	0000 hex	FFFF FFFF hex	0000 hex
Description:	Sets the mapping parameters for CANopen Transmit Process Data Object 8 (TPDO 8).		
Index:	[0] = Mapped object 1 [1] = Mapped object 2 [2] = Mapped object 3 [3] = Mapped object 4		
Note:	Corresponds to the CANopen object 1A07 hex. The parameter can only be written online when the associated COB ID in p872x is set as invalid.		

p8744	CAN PDO mapping configuration / PDO Mapping config		
CU250S_V_CAN	Access level: 2	Calculated: -	Data type: Integer16
	Can be changed: C, T	Scaling: -	Dyn. index: -
	Units group: -	Unit selection: -	Func. diagram: 9204, 9206, 9208, 9210
	Min	Max	Factory setting
	1	2	2
Description:	Selector switch for the PDO mapping.		
Value:	1: Predefined Connection Set 2: Free PDO Mapping		

r8745[0...15]	CO: CAN free PZD receive objects 16 bit / Free PZD recv 16		
CU250S_V_CAN	Access level: 3	Calculated: -	Data type: Integer16
	Can be changed: -	Scaling: 4000H	Dyn. index: -
	Units group: -	Unit selection: -	Func. diagram: -
	Min	Max	Factory setting
	-	-	-
Description:	Access to free PZD receive objects 16 bit using the SDO transfer. An index can only be used, if the corresponding object has not been mapped in a PDO.		
Index:	[0] = PZD object 0 [1] = PZD object 1 [2] = PZD object 2 [3] = PZD object 3 [4] = PZD object 4 [5] = PZD object 5		

[6] = PZD object 6
 [7] = PZD object 7
 [8] = PZD object 8
 [9] = PZD object 9
 [10] = PZD object 10
 [11] = PZD object 11
 [12] = PZD object 12
 [13] = PZD object 13
 [14] = PZD object 14
 [15] = PZD object 15

Note: Index 0 corresponds to the CANopen object 5800 hex
 Index 1 corresponds to the CANopen object 5801 hex
 Index 2 corresponds to the CANopen object 5802 hex
 Index 3 corresponds to the CANopen object 5803 hex
 Index 4 corresponds to the CANopen object 5804 hex
 Index 5 corresponds to the CANopen object 5805 hex
 Index 6 corresponds to the CANopen object 5806 hex
 Index 7 corresponds to the CANopen object 5807 hex
 Index 8 corresponds to the CANopen object 5808 hex
 Index 9 corresponds to the CANopen object 5809 hex
 Index 10 corresponds to the CANopen object 580A hex
 Index 11 corresponds to the CANopen object 580B hex
 Index 12 corresponds to the CANopen object 580C hex
 Index 13 corresponds to the CANopen object 580D hex
 Index 14 corresponds to the CANopen object 580E hex
 Index 15 corresponds to the CANopen object 580F hex

p8746[0...15] **CI: CAN free PZD send objects 16 bit / Free PZD send 16**

CU250S_V_CAN	Access level: 3	Calculated: -	Data type: U32 / Integer16
	Can be changed: U, T	Scaling: 4000H	Dyn. index: -
	Units group: -	Unit selection: -	Func. diagram: -
	Min	Max	Factory setting
	-	-	0

Description: Sets the signal source for free PZD send objects 16 bit for SDO transfer.

An index can only be used, if the corresponding object has not been mapped in a PDO.

Index: [0] = PZD object 0
 [1] = PZD object 1
 [2] = PZD object 2
 [3] = PZD object 3
 [4] = PZD object 4
 [5] = PZD object 5
 [6] = PZD object 6
 [7] = PZD object 7
 [8] = PZD object 8
 [9] = PZD object 9
 [10] = PZD object 10
 [11] = PZD object 11
 [12] = PZD object 12
 [13] = PZD object 13
 [14] = PZD object 14
 [15] = PZD object 15

Note: Index 0 corresponds to the CANopen object 5810 hex
 Index 1 corresponds to the CANopen object 5811 hex
 Index 2 corresponds to the CANopen object 5812 hex
 Index 3 corresponds to the CANopen object 5813 hex
 Index 4 corresponds to the CANopen object 5814 hex
 Index 5 corresponds to the CANopen object 5815 hex
 Index 6 corresponds to the CANopen object 5816 hex
 Index 7 corresponds to the CANopen object 5817 hex

2 Parameters

2.2 List of parameters

Index 8 corresponds to the CANopen object 5818 hex
 Index 9 corresponds to the CANopen object 5819 hex
 Index 10 corresponds to the CANopen object 581A hex
 Index 11 corresponds to the CANopen object 581B hex
 Index 12 corresponds to the CANopen object 581C hex
 Index 13 corresponds to the CANopen object 581D hex
 Index 14 corresponds to the CANopen object 581E hex
 Index 15 corresponds to the CANopen object 581F hex

r8747[0...7]	CO: CAN free PZD receive objects 32 bit / Free PZD recv 32		
CU250S_V_CAN	Access level: 3	Calculated: -	Data type: Integer32
	Can be changed: -	Scaling: 4000H	Dyn. index: -
	Units group: -	Unit selection: -	Func. diagram: -
	Min	Max	Factory setting
	-	-	-
Description:	Access to free PZD receive objects 32 bit using the SDO transfer. An index can only be used, if the corresponding object has not been mapped in a PDO.		
Index:	[0] = PZD object 0 [1] = PZD object 1 [2] = PZD object 2 [3] = PZD object 3 [4] = PZD object 4 [5] = PZD object 5 [6] = PZD object 6 [7] = PZD object 7		
Note:	Index 0 corresponds to the CANopen object 5820 hex Index 1 corresponds to the CANopen object 5821 hex Index 2 corresponds to the CANopen object 5822 hex Index 3 corresponds to the CANopen object 5823 hex Index 4 corresponds to the CANopen object 5824 hex Index 5 corresponds to the CANopen object 5825 hex Index 6 corresponds to the CANopen object 5826 hex Index 7 corresponds to the CANopen object 5827 hex		

p8748[0...7]	CI: CAN free PZD send objects 32 bit / Free PZD send 32		
CU250S_V_CAN	Access level: 3	Calculated: -	Data type: U32 / Integer32
	Can be changed: U, T	Scaling: 4000H	Dyn. index: -
	Units group: -	Unit selection: -	Func. diagram: -
	Min	Max	Factory setting
	-	-	0
Description:	Sets the signal source for free PZD send objects 32 bit for SDO transfer. An index can only be used, if the corresponding object has not been mapped in a PDO.		
Index:	[0] = PZD object 0 [1] = PZD object 1 [2] = PZD object 2 [3] = PZD object 3 [4] = PZD object 4 [5] = PZD object 5 [6] = PZD object 6 [7] = PZD object 7		
Note:	Index 0 corresponds to the CANopen object 5830 hex Index 1 corresponds to the CANopen object 5831 hex Index 2 corresponds to the CANopen object 5832 hex Index 3 corresponds to the CANopen object 5833 hex Index 4 corresponds to the CANopen object 5834 hex Index 5 corresponds to the CANopen object 5835 hex		

Index 6 corresponds to the CANopen object 5836 hex

Index 7 corresponds to the CANopen object 5837 hex

r8750[0...15] CAN mapped 16-bit receive objects / RPDO 16 mapped			
CU250S_V_CAN	Access level: 3	Calculated: -	Data type: Unsigned16
	Can be changed: -	Scaling: -	Dyn. index: -
	Units group: -	Unit selection: -	Func. diagram: -
	Min	Max	Factory setting
	-	-	-
Description:	Displays the mapped 16-bit receive CANopen objects in the process data buffer. Example: If, e.g. the control word is mapped in an RPDO, then r8750 indicates the position of the control word in the process data buffer.		
Index:	[0] = PZD 1 [1] = PZD 2 [2] = PZD 3 [3] = PZD 4 [4] = PZD 5 [5] = PZD 6 [6] = PZD 7 [7] = PZD 8 [8] = PZD 9 [9] = PZD 10 [10] = PZD 11 [11] = PZD 12 [12...15] = Reserved		
r8751[0...15] CAN mapped 16-bit transmit objects / TPDO 16 mapped			
CU250S_V_CAN	Access level: 3	Calculated: -	Data type: Unsigned16
	Can be changed: -	Scaling: -	Dyn. index: -
	Units group: -	Unit selection: -	Func. diagram: -
	Min	Max	Factory setting
	-	-	-
Description:	Displays mapped 16-bit transmit CANopen objects in the process data buffer.		
Index:	[0] = PZD 1 [1] = PZD 2 [2] = PZD 3 [3] = PZD 4 [4] = PZD 5 [5] = PZD 6 [6] = PZD 7 [7] = PZD 8 [8] = PZD 9 [9] = PZD 10 [10] = PZD 11 [11] = PZD 12 [12...15] = Reserved		
Dependency:	Refer to: r8750		
r8760[0...14] CAN mapped 32-bit receive objects / RPDO 32 mapped			
CU250S_V_CAN	Access level: 3	Calculated: -	Data type: Unsigned16
	Can be changed: -	Scaling: -	Dyn. index: -
	Units group: -	Unit selection: -	Func. diagram: -
	Min	Max	Factory setting
	-	-	-
Description:	Displays the mapped 32-bit receive CANopen objects in the process data buffer.		
Index:	[0] = PZD 1 + 2 [1] = PZD 2 + 3		

2 Parameters

2.2 List of parameters

[2] = PZD 3 + 4
 [3] = PZD 4 + 5
 [4] = PZD 5 + 6
 [5] = PZD 6 + 7
 [6] = PZD 7 + 8
 [7] = PZD 8 + 9
 [8] = PZD 9 + 10
 [9] = PZD 10 + 11
 [10] = PZD 11 + 12
 [11...14] = Reserved

r8761[0...14] CAN mapped 32-bit transmit objects / TPDO 32 mapped

CU250S_V_CAN	Access level: 3	Calculated: -	Data type: Unsigned16
	Can be changed: -	Scaling: -	Dyn. index: -
	Units group: -	Unit selection: -	Func. diagram: -
	Min	Max	Factory setting
	-	-	-

Description: Displays mapped 32-bit transmit CANopen objects in the process data buffer.

Index:
 [0] = PZD 1 + 2
 [1] = PZD 2 + 3
 [2] = PZD 3 + 4
 [3] = PZD 4 + 5
 [4] = PZD 5 + 6
 [5] = PZD 6 + 7
 [6] = PZD 7 + 8
 [7] = PZD 8 + 9
 [8] = PZD 9 + 10
 [9] = PZD 10 + 11
 [10] = PZD 11 + 12
 [11...14] = Reserved

r8762 CO: CAN operating mode display / Op mode display

CU250S_V_CAN	Access level: 3	Calculated: -	Data type: Integer16
	Can be changed: -	Scaling: -	Dyn. index: -
	Units group: -	Unit selection: -	Func. diagram: -
	Min	Max	Factory setting
	-	-	-

Description: Displays the currently effective CANopen operating mode.

To send the CANopen object 0x6061 mapped in a TPDO, this parameter can be correspondingly interconnected in the PZD interface.

r8784 CO: CAN status word / Status word

CU250S_V_CAN	Access level: 3	Calculated: -	Data type: Unsigned16
	Can be changed: -	Scaling: -	Dyn. index: -
	Units group: -	Unit selection: -	Func. diagram: 9226
	Min	Max	Factory setting
	-	-	-

Description: Display and connector output for the CANopen status word

Bit field:	Bit	Signal name	1 signal	0 signal	FP
	00	Rdy for switch on	Yes	No	-
	01	Ready	Yes	No	-
	02	Operation enabled	Yes	No	-
	03	Fault present	Yes	No	-
	04	No coasting active	Yes	No	-
	05	No Quick Stop active	Yes	No	-
	06	Switching on inhibited active	Yes	No	-
	07	Alarm present	Yes	No	-
	08	Can be freely interconnected (BI: p8785)	Yes	No	-
	09	Control request	Yes	No	-

10	Target reached	Yes	No	-
11	Torque limit reached	Yes	No	-
12	Velocity equal to zero	Yes	No	-
14	Can be freely interconnected (BI: p8786)	Yes	No	-
15	Can be freely interconnected (BI: p8787)	Yes	No	-

Note:

Corresponds to CANopen object 6041 hex.

Re bit 10:

When the ramp-function generator is activated, the interconnection from CI: p2151 = r1119 can be changed, so that to evaluate bit 10, the setpoint can be retrieved (taken) from in front of the ramp-function generator.

Re bit 10, 12:

When braking, the two bits must indicate the same state. This is the reason that the following parameters must be set the same:

p2161 (speed threshold value 3, for r2199.0) = p2163 (speed threshold value 4, for r2197.7)

p2150 (hysteresis speed 3, for r2199.0) = p2164 (hysteresis speed 4, for r2197.7)

p8785**BI: CAN status word bit 8 / Status word bit 8**

CU250S_V_CAN

Access level: 3**Calculated:** -**Data type:** U32 / Binary**Can be changed:** T**Scaling:** -**Dyn. index:** -**Units group:** -**Unit selection:** -**Func. diagram:** 9226**Min****Max****Factory setting**

-

-

0

Description:

Sets the signal source for bit 8 of the CANopen status word.

Dependency:

Refer to: r8784

p8786**BI: CAN status word bit 14 / Status word bit 14**

CU250S_V_CAN

Access level: 3**Calculated:** -**Data type:** U32 / Binary**Can be changed:** T**Scaling:** -**Dyn. index:** -**Units group:** -**Unit selection:** -**Func. diagram:** 9226**Min****Max****Factory setting**

-

-

0

Description:

Sets the signal source for bit 14 of the CANopen status word.

Dependency:

Refer to: r8784

p8787**BI: CAN status word bit 15 / Status word bit 15**

CU250S_V_CAN

Access level: 3**Calculated:** -**Data type:** U32 / Binary**Can be changed:** T**Scaling:** -**Dyn. index:** -**Units group:** -**Unit selection:** -**Func. diagram:** 9226**Min****Max****Factory setting**

-

-

0

Description:

Sets the signal source for bit 15 of the CANopen status word.

Dependency:

Refer to: r8784

p8790**CAN control word - auto interconnection / STW interc auto**

CU250S_V_CAN

Access level: 3**Calculated:** -**Data type:** Integer16**Can be changed:** C(3), T**Scaling:** -**Dyn. index:** -**Units group:** -**Unit selection:** -**Func. diagram:** -**Min****Max****Factory setting**

0

1

0

Description:

Sets the automatic BICO interconnection of the CANopen control word.

Value:

0: No interconn

1: Interconnection

Dependency:

Refer to: r2050, r2090, r2091, r2092, r2093, r8750, r8795

Note:

The following BICO interconnections are automatically established if the CANopen control word is mapped at one of the locations x = 0 ... 3 in the receive process data buffer.

2 Parameters

2.2 List of parameters

BI: p0840.0 = r209x.0

BI: p0844.0 = r209x.1

BI: p0848.0 = r209x.2

BI: p0852.0 = r209x.3

BI: p2103.0 = r209x.7

The write access is rejected if a CANopen control word is not mapped at one of these locations.

This also causes the project download of the commissioning software to be canceled.

p8791		CAN stop option code / Stop opt_code		
CU250S_V_CAN	Access level: 3	Calculated: -	Data type: Integer16	
	Can be changed: C(3), T	Scaling: -	Dyn. index: -	
	Units group: -	Unit selection: -	Func. diagram: -	
	Min	Max	Factory setting	
	-1	3	-1	
Description:	Setting for the CANopen control word bit 8 "Stop" (CANopen STW.8).			
Value:	-1: No interconn 1: Interconnection CANopen STW.8 with p1142 3: Interconnection CANopen STW.8 with p1140			
Dependency:	Refer to: r2050, r8750, r8795			
Note:	Corresponds to CANopen object 605D hex. The BICO interconnection is established, if the CANopen control word is mapped at one of the locations x = 0 ... 3 in the receive process data buffer.			

r8792[0]		CO: CAN velocity mode I16 setpoint / Vel mod I16 set		
CU250S_V_CAN	Access level: 3	Calculated: -	Data type: Integer16	
	Can be changed: -	Scaling: 4000H	Dyn. index: -	
	Units group: -	Unit selection: -	Func. diagram: -	
	Min	Max	Factory setting	
	-	-	-	
Description:	Display and connector output to interconnect standardized I16 setpoint CANopen objects of the velocity mode for SDO transfer. An index can only be used, if the corresponding object has not been mapped in a PDO.			
Index:	[0] = VL Target Velocity			
Note:	Re index 0: Corresponds to the CANopen object 6042 hex. The displayed parameter value is scaled via the reference speed p2000: 4000 hex corresponds to p2000			

r8795.0...15		CO/BO: CAN control word / Control word			
CU250S_V_CAN	Access level: 3	Calculated: -	Data type: Unsigned16		
	Can be changed: -	Scaling: -	Dyn. index: -		
	Units group: -	Unit selection: -	Func. diagram: -		
	Min	Max	Factory setting		
	-	-	-		
Description:	Access to the CANopen control word using SDO transfer.				
Bit field:	Bit	Signal name	1 signal	0 signal	FP
	00	ON/OFF1	Yes	No	-
	01	Do not activate coast down	Yes	No	-
	02	Do not activate a Quick Stop	Yes	No	-
	03	Operation enable	Yes	No	-
	04	Ramp-function generator enable	Yes	No	-
	05	Continue ramp-function generator	Yes	No (freeze)	-
	06	Speed setpoint enable	Yes	No	-
	07	Acknowledge fault	Yes	No	-
	08	Stop	Yes	No	-
	11	Freely interconn	Yes	No	-

12	Freely interconn	Yes	No	-
13	Freely interconn	Yes	No	-
14	Freely interconn	Yes	No	-
15	Freely interconn	Yes	No	-

Dependency:

Refer to: p8790

Note:

Corresponds to the CANopen object 6040 hex.

r8796[0]**CO: CAN profile velocity mode I32 setpoints / Pr vel mo I32 set**

CU250S_V_CAN	Access level: 3	Calculated: -	Data type: Integer32
	Can be changed: -	Scaling: 4000H	Dyn. index: -
	Units group: -	Unit selection: -	Func. diagram: -
	Min	Max	Factory setting
	-	-	-

Description:

Display and connector output to interconnect standardized I32 setpoint CANopen objects of the profile velocity mode for SDO transfer.

An index can only be used, if the corresponding object has not been mapped in a PDO.

Index:

[0] = Target velocity

Note:

Re index 0:

Corresponds to the CANopen object 60FF hex.

The displayed parameter value is scaled via the reference speed p2000:

4000 0000 hex corresponds to p2000

r8797[0]**CO: CAN profile torque mode I16 setpoints / Pr Tq mod I16 set**

CU250S_V_CAN	Access level: 3	Calculated: -	Data type: Integer16
	Can be changed: -	Scaling: 4000H	Dyn. index: -
	Units group: -	Unit selection: -	Func. diagram: -
	Min	Max	Factory setting
	-	-	-

Description:

Display and connector output to interconnect standardized I16 setpoint CANopen objects of the profile torque mode for SDO transfer.

An index can only be used, if the corresponding object has not been mapped in a PDO.

Index:

[0] = Target torque

Note:

Re index 0:

Corresponds to the CANopen object 6071 hex.

The displayed parameter value is scaled via the reference torque p2003:

4000 hex corresponds to p2003

p8798[0...1]**CAN speed conversion factor / n_conv_factor**

CU250S_V_CAN	Access level: 3	Calculated: -	Data type: Unsigned32
	Can be changed: T	Scaling: -	Dyn. index: -
	Units group: -	Unit selection: -	Func. diagram: -
	Min	Max	Factory setting
	1	4294967295	1

Description:

The factor converts the required velocity units into the internal velocity units (U/s).

With the factory setting, for CANopen, the velocity units are increments/second.

The parameter corresponds to the CANopen object 6094 hex.

The internal velocity is calculated as follows:

$$n_set_internal = object\ 6094.1 / object\ 6094.2 * 1/(p0408 * 2^{p0418}) * n_set_bus$$
Index:

[0] = Counter

[1] = Denominator

p8805	Identification and maintenance 4 configuration / I&M 4 config		
CU250S_V_PN	Access level: 3	Calculated: -	Data type: Integer16
	Can be changed: U, T	Scaling: -	Dyn. index: -
	Units group: -	Unit selection: -	Func. diagram: -
	Min	Max	Factory setting
	0	1	0
Description:	Sets the configuration for the content of identification and maintenance 4 (I&M 4, p8809).		
Value:	0: Standard value for I&M 4 (p8809) 1: User value for I&M 4 (p8809)		
Dependency:	For p8805 = 0, if the user writes at least one value in p8809[0...53], then p8805 is automatically set to = 1. When p8805 is reset = 0, then the content of the factory setting is set in p8809.		
Note:	Re p8805 = 0: PROFINET I&M 4 (p8809) contains the information for the SI change tracking. Re p8805 = 1: PROFINET I&M 4 (p8809) contains the values written by the user.		

p8806[0...53]	Identification and Maintenance 1 / I&M 1		
CU250S_V_PN	Access level: 3	Calculated: -	Data type: Unsigned8
	Can be changed: U, T	Scaling: -	Dyn. index: -
	Units group: -	Unit selection: -	Func. diagram: -
	Min	Max	Factory setting
	-	-	
Description:	Parameters for the PROFINET data set "Identification and Maintenance 1" (I&M 1). This information is known as "System identifier" and "Location identifier".		
Dependency:	Refer to: p8807, p8808		
Notice:	Only characters belonging to the standard ASCII character set may be used (32 dec to 126 dec).		
Note:	An ASCII table (excerpt) can be found, for example, in the appendix to the List Manual. Re p8806[0...31]: System identifier. Re p8806[32...53]: Location identifier.		

p8807[0...15]	Identification and Maintenance 2 / I&M 2		
CU250S_V_PN	Access level: 3	Calculated: -	Data type: Unsigned8
	Can be changed: U, T	Scaling: -	Dyn. index: -
	Units group: -	Unit selection: -	Func. diagram: -
	Min	Max	Factory setting
	-	-	
Description:	Parameters for the PROFINET data set "Identification and Maintenance 2" (I&M 2). This information is known as "Installation date".		
Dependency:	Refer to: p8806, p8808		
Note:	An ASCII table (excerpt) can be found, for example, in the appendix to the List Manual. Re p8807[0...15]: Dates of installation or first commissioning of the (ASCII) device with the following format options. YYYY-MM-DD or YYYY-MM-DD hh:mm - YYYY: year - MM: month 01 ... 12 - DD: day 01 ... 31 - hh: hours 00 ... 23 - mm: minutes 00 ... 59 Separators must be placed between the individual data, i.e. a hyphen '-', space ' ' and colon ':'.		

p8808[0...53]	Identification and Maintenance 3 / I&M 3		
CU250S_V_PN	Access level: 3	Calculated: -	Data type: Unsigned8
	Can be changed: U, T	Scaling: -	Dyn. index: -
	Units group: -	Unit selection: -	Func. diagram: -
	Min	Max	Factory setting
	-	-	-
Description:	Parameters for the PROFINET data set "Identification and Maintenance 3" (I&M 3). This information is known as "Supplementary information".		
Dependency:	Refer to: p8806, p8807		
Notice:	Only characters belonging to the standard ASCII character set may be used (32 dec to 126 dec).		
Note:	An ASCII table (excerpt) can be found, for example, in the appendix to the List Manual. Re p8808[0...53]: Any supplementary information and comments (ASCII).		
p8809[0...53]	Identification and Maintenance 4 / I&M 4		
CU250S_V_PN	Access level: 3	Calculated: -	Data type: Unsigned8
	Can be changed: U, T	Scaling: -	Dyn. index: -
	Units group: -	Unit selection: -	Func. diagram: -
	Min	Max	Factory setting
	0000 bin	1111 1111 bin	0000 bin
Description:	Parameters for the PROFINET data set "Identification and Maintenance 4" (I&M 4). This information is known as "Signature".		
Dependency:	This parameter is preassigned as standard (see note). After writing information to p8809, p8805 is automatically set to = 1. Refer to: p8805		
Note:	For p8805 = 0 (factory setting) the following applies: Parameter p8809 contains the information described below. Re p8809[0...3]: Contains the value from r9781[0] "SI change tracking checksum functional". Re p8809[4...7]: Contains the value from r9782[0] "SI change tracking time stamp checksum functional". Re p8809[8...53]: Reserved.		
r8854	PROFINET state / PN state		
CU250S_V_PN	Access level: 4	Calculated: -	Data type: Integer16
	Can be changed: -	Scaling: -	Dyn. index: -
	Units group: -	Unit selection: -	Func. diagram: -
	Min	Max	Factory setting
	0	255	-
Description:	State display for PROFINET.		
Value:	0: No initialization 1: Fatal fault 2: Initialization 3: Send configuration 4: Receive configuration 5: Non-cyclic communication 6: Cyclic communications but no setpoints (stop/no clock cycle) 255: Cyclic communication		

2 Parameters

2.2 List of parameters

r8858[0...39]	PROFINET read diagnostics channel / PN diag_chan read		
CU250S_V_PN	Access level: 4	Calculated: -	Data type: Unsigned16
	Can be changed: -	Scaling: -	Dyn. index: -
	Units group: -	Unit selection: -	Func. diagram: -
	Min	Max	Factory setting
	-	-	-
Description:	Displays the PROFINET diagnostics data.		
Note:	Only for internal Siemens diagnostics.		

r8859[0...7]	PROFINET identification data / PN ident data		
CU250S_V_PN	Access level: 4	Calculated: -	Data type: Unsigned16
	Can be changed: -	Scaling: -	Dyn. index: -
	Units group: -	Unit selection: -	Func. diagram: -
	Min	Max	Factory setting
	-	-	-
Description:	Displays the PROFINET identification data		
Index:	[0] = Version interface structure [1] = Version interface driver [2] = Company (Siemens = 42) [3] = CB type [4] = Firmware version [5] = Firmware date (year) [6] = Firmware date (day/month) [7] = Firmware patch/hot fix		
Note:	Example: r8859[0] = 100 --> version of the interface structure V1.00 r8859[1] = 111 --> version of the interface driver V1.11 r8859[2] = 42 --> SIEMENS r8859[3] = 0 r8859[4] = 1300 --> first part, firmware version V13.00 (second part, see index 7) r8859[5] = 2011 --> year 2011 r8859[6] = 2306 --> 23rd June r8859[7] = 1700 --> second part, firmware version (complete version: V13.00.17.00)		

r8909	PN device ID / PN device ID		
CU250S_V_PN	Access level: 3	Calculated: -	Data type: Unsigned16
	Can be changed: -	Scaling: -	Dyn. index: -
	Units group: -	Unit selection: -	Func. diagram: -
	Min	Max	Factory setting
	-	-	-
Description:	Displays the PROFINET Device ID. Every SINAMICS device type has its own PROFINET Device ID and its own PROFINET GSD.		
Note:	List of the SINAMICS Device IDs: 0501 hex: S120/S150 0504 hex: G130/G150 050A hex: DC MASTER 050C hex: MV 050F hex: G120P 0510 hex: G120C 0511 hex: G120 CU240E-2 0512 hex: G120D 0513 hex: G120 CU250S-2 Vector 0514 hex: G110M		

p8920[0...239]	PN Name of Station / PN Name Stat		
CU250S_V_PN	Access level: 3	Calculated: -	Data type: Unsigned8
	Can be changed: U, T	Scaling: -	Dyn. index: -
	Units group: -	Unit selection: -	Func. diagram: -
	Min	Max	Factory setting
	-	-	-
Description:	Sets the station name for the onboard PROFINET interface on the Control Unit. The active station name is displayed in r8930.		
Note:	An ASCII table (excerpt) can be found, for example, in the appendix to the List Manual. The interface configuration (p8920 and following) is activated with p8925. The parameter is not influenced by setting the factory setting. PN: PROFINET		
p8921[0...3]	PN IP address of station / PN IP of stat		
CU250S_V_PN	Access level: 3	Calculated: -	Data type: Unsigned8
	Can be changed: U, T	Scaling: -	Dyn. index: -
	Units group: -	Unit selection: -	Func. diagram: -
	Min	Max	Factory setting
	0	255	0
Description:	Sets the IP address for the onboard PROFINET interface on the Control Unit. The active IP address is displayed in r8931.		
Note:	The interface configuration (p8920 and following) is activated with p8925. The parameter is not influenced by setting the factory setting.		
p8922[0...3]	PN Default Gateway of Station / PN Def Gateway		
CU250S_V_PN	Access level: 3	Calculated: -	Data type: Unsigned8
	Can be changed: U, T	Scaling: -	Dyn. index: -
	Units group: -	Unit selection: -	Func. diagram: -
	Min	Max	Factory setting
	0	255	0
Description:	Sets the default gateway for the onboard PROFINET interface on the Control Unit. The active default gateway is displayed in r8932.		
Note:	The interface configuration (p8920 and following) is activated with p8925. The parameter is not influenced by setting the factory setting.		
p8923[0...3]	PN Subnet Mask of Station / PN Subnet Mask		
CU250S_V_PN	Access level: 3	Calculated: -	Data type: Unsigned8
	Can be changed: U, T	Scaling: -	Dyn. index: -
	Units group: -	Unit selection: -	Func. diagram: -
	Min	Max	Factory setting
	0	255	0
Description:	Sets the subnet mask for the onboard PROFINET interface on the Control Unit. The active subnet mask is displayed in r8933.		
Note:	The interface configuration (p8920 and following) is activated with p8925. The parameter is not influenced by setting the factory setting.		

p8924	PN DHCP Mode / PN DHCP Mode		
CU250S_V_PN	Access level: 3	Calculated: -	Data type: Unsigned8
	Can be changed: U, T	Scaling: -	Dyn. index: -
	Units group: -	Unit selection: -	Func. diagram: -
	Min	Max	Factory setting
	0	3	0
Description:	Sets the DHCP mode for the onboard PROFINET interface on the Control Unit. The active DHCP mode is displayed in r8934.		
Notice:	When the DHCP mode is active (p8924 > 0), then PROFINET communication via this interface is no longer possible! However, the interface can be used by the STARTER/SCOUT commissioning tool.		
Note:	The interface configuration (p8920 and following) is activated with p8925. The active DHCP mode is displayed in parameter r8934. The parameter is not influenced by setting the factory setting. If value = 0: DHCP deactivated. If value = 1: Reserved. If value = 2: DHCP activated. The MAC address of this interface is used for client identification. If value = 3: DHCP activated. The station name of this interface is used for client identification.		

p8925	PN interface configuration / PN IF config		
CU250S_V_PN	Access level: 3	Calculated: -	Data type: Integer16
	Can be changed: U, T	Scaling: -	Dyn. index: -
	Units group: -	Unit selection: -	Func. diagram: -
	Min	Max	Factory setting
	0	3	0
Description:	Setting to activate the interface configuration for the onboard PROFINET interface on the Control Unit. p8925 is automatically set to 0 at the end of the operation.		
Value:	0: No function 1: Reserved 2: Save and activate configuration 3: Delete configuration		
Notice:	When the DHCP mode is active (p8924 > 0), then PROFINET communication via this interface is no longer possible! However, the interface can be used by the STARTER/SCOUT commissioning tool.		
Note:	Re p8925 = 2: The interface configuration (p8920 and following) is saved and activated after the next POWER ON. Re p8925 = 3: The factory setting of the interface configuration is loaded after the next POWER ON.		

p8929	PN remote controller number / PN rem ctrl num		
CU250S_V_PN	Access level: 3	Calculated: -	Data type: Integer16
	Can be changed: C	Scaling: -	Dyn. index: -
	Units group: -	Unit selection: -	Func. diagram: -
	Min	Max	Factory setting
	1	2	1
Description:	Sets the number of remote controllers expected for PROFINET onboard. The "Shared Device" functionality is activated with a value = 2. The drive is being accessed by two PROFINET controllers simultaneously: - automation controller (SIMOTION or SIMATIC A-CPU). - safety controller (SIMATIC F-CPU).		
Value:	1: Automation or Safety 2: Automation and Safety		

Notice: The F CPU may only use PROFIsafe telegrams.
Note: A change only becomes effective after POWER ON, reset or download.

r8930[0...239]	PN Name of Station active / PN Name Stat act		
CU250S_V_PN	Access level: 3	Calculated: -	Data type: Unsigned8
	Can be changed: -	Scaling: -	Dyn. index: -
	Units group: -	Unit selection: -	Func. diagram: -
	Min	Max	Factory setting
	-	-	-

Description: Displays the active station name for the onboard PROFINET interface on the Control Unit.

r8931[0...3]	PN IP Address of Station active / PN IP of Stat act		
CU250S_V_PN	Access level: 3	Calculated: -	Data type: Unsigned8
	Can be changed: -	Scaling: -	Dyn. index: -
	Units group: -	Unit selection: -	Func. diagram: -
	Min	Max	Factory setting
	0	255	-

Description: Displays the active IP address for the onboard PROFINET interface on the Control Unit.

r8932[0...3]	PN Default Gateway of Station active / PN Def Gateway act		
CU250S_V_PN	Access level: 3	Calculated: -	Data type: Unsigned8
	Can be changed: -	Scaling: -	Dyn. index: -
	Units group: -	Unit selection: -	Func. diagram: -
	Min	Max	Factory setting
	0	255	-

Description: Displays the active default gateway for the onboard PROFINET interface on the Control Unit.

r8933[0...3]	PN Subnet Mask of Station active / PN Subnet Mask act		
CU250S_V_PN	Access level: 3	Calculated: -	Data type: Unsigned8
	Can be changed: -	Scaling: -	Dyn. index: -
	Units group: -	Unit selection: -	Func. diagram: -
	Min	Max	Factory setting
	0	255	-

Description: Displays the active subnet mask for the onboard PROFINET interface on the Control Unit.

r8934	PN DHCP Mode active / PN DHCP Mode act		
CU250S_V_PN	Access level: 3	Calculated: -	Data type: Unsigned8
	Can be changed: -	Scaling: -	Dyn. index: -
	Units group: -	Unit selection: -	Func. diagram: -
	Min	Max	Factory setting
	0	255	-

Description: Displays the active DHCP mode for the onboard PROFINET interface on the Control Unit.

Notice: When the DHCP mode is active (parameter value greater than 0), PROFINET communication via this interface is no longer possible! However, the interface can be used for commissioning tool such as STARTER or SCOUT.

Note: If value = 0:
 DHCP deactivated.
 If value = 2:
 DHCP activated. The MAC address of this interface is used for client identification.
 If value = 3:
 DHCP activated. The station name of this interface is used for client identification.

2 Parameters

2.2 List of parameters

r8935[0...5]	PN MAC Address of Station / PN MAC of Station		
CU250S_V_PN	Access level: 3	Calculated: -	Data type: Unsigned8
	Can be changed: -	Scaling: -	Dyn. index: -
	Units group: -	Unit selection: -	Func. diagram: -
	Min	Max	Factory setting
	0000 hex	00FF hex	-
Description:	Displays the MAC address for the onboard PROFINET interface on the Control Unit.		
r8939	PN DAP ID / PN DAP ID		
CU250S_V_PN	Access level: 3	Calculated: -	Data type: Unsigned32
	Can be changed: -	Scaling: -	Dyn. index: -
	Units group: -	Unit selection: -	Func. diagram: -
	Min	Max	Factory setting
	-	-	-
Description:	Displays the PROFINET Device Access Point ID (DAP ID) for the onboard PROFINET interface. The combination of device ID (r8909) and DAP ID uniquely identifies a PROFINET access point.		
Note:	List of the SINAMICS DAP IDs: 20007 hex: CBE20 V4.5 20008 hex: CBE20 V4.6 20107 hex: CU310-2 PN V4.5 20108 hex: CU310-2 PN V4.6 20307 hex: CU320-2 PN V4.5 20308 hex: CU320-2 PN V4.6 20407 hex: CU230P-2 PN /CU240x-2 PN V4.5 20408 hex: CU230P-2 PN /CU240x-2 PN /CU250S-2 PN /G110M PN V4.6 20507 hex: CU250D-2 PN V4.5 20508 hex: CU250D-2 PN V4.6		
r8960[0...2]	PN subslot controller assignment / PN subslot assign		
CU250S_V_PN	Access level: 3	Calculated: -	Data type: Unsigned8
	Can be changed: -	Scaling: -	Dyn. index: -
	Units group: -	Unit selection: -	Func. diagram: -
	Min	Max	Factory setting
	0	8	-
Description:	Displays the controller assignment of a PROFINET subslot on the actual drive object.		
Index:	[0] = Subslot 2 PROFIsafe [1] = Subslot 3 PZD telegram [2] = Subslot 4 PZD supplementary data		
Dependency:	Refer to: r8961, r8962		
Note:	Example: If the parameter contains the value 2 in index [1], then this means that subslot 3 is assigned to controller 2.		
r8961[0...3]	PN IP Address Remote Controller 1 / IP Addr Rem Ctrl1		
CU250S_V_PN	Access level: 3	Calculated: -	Data type: Unsigned8
	Can be changed: -	Scaling: -	Dyn. index: -
	Units group: -	Unit selection: -	Func. diagram: -
	Min	Max	Factory setting
	0	255	-
Description:	Displays the IP address of the first PROFINET controller connected with the device via PN onboard.		

r8962[0...3]	PN IP Address Remote Controller 2 / IP Addr Rem Ctrl2		
CU250S_V_PN	Access level: 3	Calculated: -	Data type: Unsigned8
	Can be changed: -	Scaling: -	Dyn. index: -
	Units group: -	Unit selection: -	Func. diagram: -
	Min	Max	Factory setting
	0	255	-

Description: Displays the IP address of the second PROFINET controller connected with the device via PN onboard.

p8980	Ethernet/IPprofile / Eth/IP profile		
CU250S_V_PN	Access level: 3	Calculated: -	Data type: Integer16
	Can be changed: T	Scaling: -	Dyn. index: -
	Units group: -	Unit selection: -	Func. diagram: -
	Min	Max	Factory setting
	0	1	0

Description: Sets the profile for Ethernet/IP.

Value:
 0: SINAMICS
 1: ODVA AC/DC

Note: Changes only become effective after POWER ON.
 The parameter is not influenced by setting the factory setting.
 ODVA: Open DeviceNet Vendor Association

p8981	Ethernet/IP ODVA STOP mode / Eth/IP ODVA STOP		
CU250S_V_PN	Access level: 3	Calculated: -	Data type: Integer16
	Can be changed: T	Scaling: -	Dyn. index: -
	Units group: -	Unit selection: -	Func. diagram: -
	Min	Max	Factory setting
	0	1	0

Description: Sets the STOP mode for the Ethernet/IP ODVA profile (p8980 = 1).

Value:
 0: OFF1
 1: OFF2

Dependency: Refer to: p8980

Note: Changes only become effective after POWER ON.
 The parameter is not influenced by setting the factory setting.

p8982	Ethernet/IP ODVA speed scaling / Eth/IP ODVA n scal		
CU250S_V_PN	Access level: 3	Calculated: -	Data type: Integer16
	Can be changed: T	Scaling: -	Dyn. index: -
	Units group: -	Unit selection: -	Func. diagram: -
	Min	Max	Factory setting
	123	133	128

Description: Sets the scaling for the speed for Ethernet/IP ODVA profile (p8980 = 1).

Value:
 123: 32
 124: 16
 125: 8
 126: 4
 127: 2
 128: 1
 129: 0.5
 130: 0.25
 131: 0.125
 132: 0.0625
 133: 0.03125

Dependency: Refer to: p8980

2 Parameters

2.2 List of parameters

Note: Changes only become effective after POWER ON.
The parameter is not influenced by setting the factory setting.

p8983	Ethernet/IP ODVA torque scaling / Eth/IP ODVA M scal		
CU250S_V_PN	Access level: 3	Calculated: -	Data type: Integer16
	Can be changed: T	Scaling: -	Dyn. index: -
	Units group: -	Unit selection: -	Func. diagram: -
	Min	Max	Factory setting
	123	133	128
Description:	Sets the scaling for the torque for Ethernet/IP ODVA profile (p8980 = 1).		
Value:	123: 32 124: 16 125: 8 126: 4 127: 2 128: 1 129: 0.5 130: 0.25 131: 0.125 132: 0.0625 133: 0.03125		
Dependency:	Refer to: p8980		
Note:	Changes only become effective after POWER ON. The parameter is not influenced by setting the factory setting.		

p8991	USB memory access / USB mem acc		
	Access level: 3	Calculated: -	Data type: Integer16
	Can be changed: T	Scaling: -	Dyn. index: -
	Units group: -	Unit selection: -	Func. diagram: -
	Min	Max	Factory setting
	1	2	1
Description:	Selects the storage medium for access via the USB mass storage.		
Value:	1: Memory card 2: Flash r/w internal		
Note:	A change only becomes effective after a POWER ON. The parameter is not influenced by setting the factory setting.		

p8999	USB functionality / USB Fct		
	Access level: 4	Calculated: -	Data type: Integer16
	Can be changed: T	Scaling: -	Dyn. index: -
	Units group: -	Unit selection: -	Func. diagram: -
	Min	Max	Factory setting
	1	3	3
Description:	Setting the USB functionality.		
Value:	1: USS commissioning via the virtual COM port 2: Only memory access 3: USB commissioning and memory access		
Note:	COMM: Commissioning. A change only becomes effective after a POWER ON. The parameter is not influenced by setting the factory setting.		

p9210	Flashing component number / Flash comp_no		
	Access level: 3	Calculated: -	Data type: Unsigned16
	Can be changed: U, T	Scaling: -	Dyn. index: -
	Units group: -	Unit selection: -	Func. diagram: -
	Min	Max	Factory setting
	0	499	0
Description:	Sets the component number for a component to get its status LED to flash.		
Dependency:	Refer to: p9211		

p9211	Flash function / Flash fct.		
	Access level: 3	Calculated: -	Data type: Integer16
	Can be changed: U, T	Scaling: -	Dyn. index: -
	Units group: -	Unit selection: -	Func. diagram: -
	Min	Max	Factory setting
	-1	1	-1
Description:	Sets the function for the component selected in p9210. After initiating a function, the parameter is automatically reset again. Example: - Set the component number (p9210). - Select the "flashing on" function (set p9211 = 1).		
Value:	-1: Select function 0: Flashing off 1: Flashing on		
Dependency:	Refer to: p9210		
Notice:	If a task cannot be executed (e.g. the component number in p9210 does not exist), the following applies: - There is no negative feedback signal. - The value is reset anyway.		

p9301	SI Motion enable safety functions (processor 2) / SI Mtn enable P2				
CU250S_V_DP	Access level: 3	Calculated: -	Data type: Unsigned32		
CU250S_V_PN	Can be changed: C(95)	Scaling: -	Dyn. index: -		
	Units group: -	Unit selection: -	Func. diagram: -		
	Min	Max	Factory setting		
	-	-	0000 0000 0000 0000 0000 0000 0000 0000 0000 bin		
Description:	Sets the enable signals for the safe motion monitoring.				
Bit field:	Bit	Signal name	1 signal	0 signal	FP
	00	Enable SI Motion	Enable	Inhibit	-
	16	Enable SSM hysteresis and filtering	Enable	Inhibit	2823
	17	Enable SDI	Enable	Inhibit	2824
	30	Enable F-DI in PROFIsafe telegram 900	Enable	Inhibit	-
Dependency:	Refer to: p9501				
Notice:	This parameter is overwritten by the copy function of the safety functions integrated in the drive.				
Note:	A change only becomes effective after a POWER ON. For bit 30 = 1, PROFIsafe telegram 900 must be configured in the F host. SDI: Safe Direction (safe motion direction) SLS: Safely-Limited Speed SSM: Safe Speed Monitor (safety-relevant feedback signal from the velocity monitoring)				

p9301 SI Motion enable safety functions (processor 2) / SI Mtn enable P2

CU250S_V **Access level:** 3 **Calculated:** - **Data type:** Unsigned32
 CU250S_V_CAN **Can be changed:** C(95) **Scaling:** - **Dyn. index:** -
 Units group: - **Unit selection:** - **Func. diagram:** -
 Min **Max** **Factory setting**
 - - 0000 0000 0000 0000 0000 0000 0000
 0000 bin

Description: Sets the enable signals for the safe motion monitoring.

Bit field:

Bit	Signal name	1 signal	0 signal	FP
00	Enable SI Motion	Enable	Inhibit	-
16	Enable SSM hysteresis and filtering	Enable	Inhibit	2823
17	Enable SDI	Enable	Inhibit	2824

Dependency: Refer to: p9501

Notice: This parameter is overwritten by the copy function of the safety functions integrated in the drive.

Note: A change only becomes effective after a POWER ON.
 For bit 30 = 1, PROFIsafe telegram 900 must be configured in the F host.
 SDI: Safe Direction (safe motion direction)
 SLS: Safely-Limited Speed
 SSM: Safe Speed Monitor (safety-relevant feedback signal from the velocity monitoring)

p9306 SI Motion function specification (processor 2) / SI Mtn fct spec P2

Access level: 3 **Calculated:** - **Data type:** Integer16
Can be changed: C(95) **Scaling:** - **Dyn. index:** -
Units group: - **Unit selection:** - **Func. diagram:** -
Min **Max** **Factory setting**
 1 3 1

Description: Sets the function specification for the safe motion monitoring.

Value: 1: Safety without encoder and braking ramp(SBR)
 3: Safety without encoder with accel_monitoring(SAM) / delay time

Notice: This parameter is overwritten by the copy function of the safety functions integrated in the drive.

p9307 SI Motion function configuration (processor 2) / SI Mtn config P2

Access level: 3 **Calculated:** - **Data type:** Unsigned32
Can be changed: C(95) **Scaling:** - **Dyn. index:** -
Units group: - **Unit selection:** - **Func. diagram:** -
Min **Max** **Factory setting**
 - - 0011 bin

Description: Sets the function configuration for safe motion monitoring.

Bit field:

Bit	Signal name	1 signal	0 signal	FP
00	Extended message acknowledgement	Yes	No	-
01	Setpoint velocity limit for STOP F	No	Yes	-


Notice: This parameter is overwritten by the copy function of the safety functions integrated in the drive.

Note: Re bit 00:
 When the function is activated, a safety-relevant acknowledgement (internal event acknowledge) can be performed by selecting/deselecting STO.
 Re bit 01:
 When the function is activated, the active setpoint velocity limit (CO: r9733) is set to zero when STOP F is active.

p9309		SI Motion behavior during pulse suppression (processor 2) / SI Mtn behav IL P2			
Access level:	3	Calculated:	-		
Can be changed:	C(95)	Scaling:	-		
Units group:	-	Unit selection:	-		
Min	-	Max	-		
		Factory setting	0000 0000 1111 1111 bin		
Description:	Sets the behavior of safety functions and their feedback during pulse suppression in encoderless operation.				
Bit field:	Bit	Signal name	1 signal	0 signal	FP
	00	SSM during pulse suppression and sensorless	Becomes inactive	Remains active	-
	08	SDI during pulse suppression and sensorless	Becomes inactive	Remains active	-
Notice:	This parameter is overwritten by the copy function of the safety functions integrated in the drive. Re bit 00: If the OFF1 or the OFF3 ramp-down time is too low, or there is an insufficient clearance between the SSM limit speed, and the shutdown speed, then it is possible that the "speed under limit value" signal does not change to 1, because no speed actual value below the SSM limit was able to be identified before pulse cancellation. In this case, the OFF1 or the OFF3 ramp-down time or the clearance between the SSM limit speed and shutdown speed must be increased.				
Note:	SDI: Safe Direction (safe motion direction) SSM: Safe Speed Monitor (safety-relevant feedback signal from the velocity monitoring) Re bit 00: For bit = 1 and with the SSM safety function activated, the following applies: - During pulse suppression, monitoring is switched off and the feedback signal has a 0 signal level. For bit = 0 and with the SSM safety function activated, the following applies: - Monitoring continues during pulse suppression. The feedback signal last displayed before pulse suppression is kept and the system goes into the STO state. Re bit 08: For bit = 1 and with the SDI safety function activated, the following applies: - During pulse suppression, monitoring is switched off and the status signal indicates inactive. For bit = 0 and with the SDI safety function activated, the following applies: - Monitoring continues during pulse suppression. The status signal indicates active and the system goes into the STO state.				
p9321[0...7]		SI Motion gearbox motor/load denominator (processor 2) / SI Mtn gear den P2			
Access level:	3	Calculated:	-		
Can be changed:	C(95)	Scaling:	-		
Units group:	-	Unit selection:	-		
Min	1	Max	2147000000		
		Factory setting	1		
Description:	Sets the denominator for the gearbox between the motor and the load.				
Index:	[0] = Gearbox 1 [1] = Gearbox 2 [2] = Gearbox 3 [3] = Gearbox 4 [4] = Gearbox 5 [5] = Gearbox 6 [6] = Gearbox 7 [7] = Gearbox 8				
Dependency:	Refer to: p9322				
Notice:	It is not possible to change over the gearbox stages. Gearbox 1 (index 0) is always active.				

p9322[0...7]	SI Motion gearbox motor/load numerator (processor 2) / SI Mtn gear num P2		
	Access level: 3	Calculated: -	Data type: Unsigned32
	Can be changed: C(95)	Scaling: -	Dyn. index: -
	Units group: -	Unit selection: -	Func. diagram: -
	Min	Max	Factory setting
	1	2147000000	1
Description:	Sets the numerator for the gearbox between the motor and the load.		
Index:	[0] = Gearbox 1 [1] = Gearbox 2 [2] = Gearbox 3 [3] = Gearbox 4 [4] = Gearbox 5 [5] = Gearbox 6 [6] = Gearbox 7 [7] = Gearbox 8		
Dependency:	Refer to: p9321		
Notice:	It is not possible to change over the gearbox stages. Gearbox 1 (index 0) is always active.		
Note:	In the case of encoderless monitoring functions, the pole pair number must be multiplied by the numerator of the gearbox ratio. Example: Gearbox ratio 1:4, pole pair number (r0313) = 2 --> p9321 = 1, p9322 = 8 (4 x 2)		
p9331[0...3]	SI Motion SLS limit values (processor 2) / SI Mtn SLS lim P2		
	Access level: 3	Calculated: -	Data type: FloatingPoint32
	Can be changed: C(95)	Scaling: -	Dyn. index: -
	Units group: -	Unit selection: -	Func. diagram: -
	Min	Max	Factory setting
	0.01 [rpm]	100000.00 [rpm]	2000.00 [rpm]
Description:	Sets the limit values for the function "Safely-Limited Speed" (SLS).		
Index:	[0] = Limit value SLS1 [1] = Limit value SLS2 [2] = Limit value SLS3 [3] = Limit value SLS4		
Dependency:	Refer to: p9363, p9531		
Notice:	This parameter is overwritten by the copy function of the safety functions integrated in the drive.		
Note:	SLS: Safely-Limited Speed		
p9342	SI Motion act. val. comparison tolerance (crossw.) (processor 2) / SI Mtn actV tol P2		
	Access level: 3	Calculated: -	Data type: FloatingPoint32
	Can be changed: C(95)	Scaling: -	Dyn. index: -
	Units group: -	Unit selection: -	Func. diagram: -
	Min	Max	Factory setting
	0.0010 [°]	360.0000 [°]	12.0000 [°]
Description:	Sets the tolerance for the crosswise data comparison of the actual position between processors 1 and 2.		
Dependency:	Refer to: p9542		
Notice:	This parameter is overwritten by the copy function of the safety functions integrated in the drive.		
Note:	For a linear axis, the tolerance is internally limited to 10 mm. For a "linear axis with rotating motor" and factory setting of p9320, p9321 and p9322, the factory setting of p9342 corresponds to a position tolerance of 36 ° on the motor side.		

p9345	SI Motion SSM filter time (processor 2) / SI Mtn SSM filt P2		
	Access level: 3	Calculated: -	Data type: FloatingPoint32
	Can be changed: C(95)	Scaling: -	Dyn. index: -
	Units group: -	Unit selection: -	Func. diagram: 2823
	Min	Max	Factory setting
	0.00 [µs]	100000.00 [µs]	0.00 [µs]
Description:	Sets the filter time for the SSM feedback signal to detect standstill.		
Notice:	This parameter is overwritten by the copy function of the safety functions integrated in the drive.		
Note:	The filter time is effective only if the function is enabled (p9301.16 = p9501.16 = 1). The set time is rounded internally to an integer multiple of the monitoring clock (p9500/p9300) cycle. The parameter is included in the crosswise data comparison of the two monitoring channels. SSM: Safe Speed Monitor (safety-relevant feedback signal from the velocity monitoring)		

p9346	SI Motion SSM velocity limit (processor 2) / SI Mtn SSM v_limP2		
	Access level: 3	Calculated: -	Data type: FloatingPoint32
	Can be changed: C(95)	Scaling: -	Dyn. index: -
	Units group: -	Unit selection: -	Func. diagram: 2823
	Min	Max	Factory setting
	0.00 [rpm]	100000.00 [rpm]	20.00 [rpm]
Description:	Sets the velocity limit for the SSM feedback signal to detect standstill (n < nx). When this limit value is undershot, the signal "SSM feedback signal active" is set.		
Dependency:	Refer to: p9546		
Caution:	The following applies for p9306 = 3: The "SAM" function is switched out if the selected threshold value is undershot.		
			
Notice:	This parameter is overwritten by the copy function of the safety functions integrated in the drive.		
Note:	SAM: Safe Acceleration Monitor (safe acceleration monitoring) SSM: Safe Speed Monitor (safety-relevant feedback signal from the velocity monitoring)		

p9347	SI Motion SSM velocity hysteresis (processor 2) / SI Mtn SSM Hyst P2		
	Access level: 3	Calculated: -	Data type: FloatingPoint32
	Can be changed: C(95)	Scaling: -	Dyn. index: -
	Units group: -	Unit selection: -	Func. diagram: 2823
	Min	Max	Factory setting
	0.0010 [rpm]	500.0000 [rpm]	10.0000 [rpm]
Description:	Sets the velocity hysteresis for the SSM feedback signal to detect standstill (n < nx).		
Notice:	This parameter is overwritten by the copy function of the safety functions integrated in the drive.		
Note:	The velocity hysteresis is effective only if the function is enabled (p9301.16 = p9501.16 = 1). The parameter is included in the crosswise data comparison of the two monitoring channels. SSM: Safe Speed Monitor (safety-relevant feedback signal from the velocity monitoring)		

p9348	SI Motion SAM actual velocity tolerance (processor 2) / SI mtn SAM tol P2		
	Access level: 3	Calculated: -	Data type: FloatingPoint32
	Can be changed: C(95)	Scaling: -	Dyn. index: -
	Units group: -	Unit selection: -	Func. diagram: -
	Min	Max	Factory setting
	0.00 [rpm]	120000.00 [rpm]	300.00 [rpm]
Description:	Sets the velocity tolerance for the "SAM" function.		
Dependency:	Refer to: p9548		
Notice:	This parameter is overwritten by the copy function of the safety functions integrated in the drive.		
Note:	SAM: Safe Acceleration Monitor (safe acceleration monitoring)		

p9351	SI Motion SLS changeover delay time (processor 2) / SI Mtn SLS t P2		
	Access level: 3	Calculated: -	Data type: FloatingPoint32
	Can be changed: C(95)	Scaling: -	Dyn. index: -
	Units group: -	Unit selection: -	Func. diagram: 2819, 2820
	Min	Max	Factory setting
	0.00 [µs]	600000000.00 [µs]	100000.00 [µs]
Description:	Sets the delay time for the SLS changeover for the function "safely limited speed" (SLS). When transitioning from a higher to a lower safely-limited velocity/speed stage, within this delay time, the "old" velocity stage remains active. Even if SLS is activated from the state "SLS in active", then this delay is still applied.		
Dependency:	Refer to: p9551		
Notice:	This parameter is overwritten by the copy function of the safety functions integrated in the drive.		
Note:	SLS: Safely-Limited Speed		
p9356	SI Motion pulse suppression delay time (processor 2) / SI Mtn IL t_del P2		
	Access level: 3	Calculated: -	Data type: FloatingPoint32
	Can be changed: C(95)	Scaling: -	Dyn. index: -
	Units group: -	Unit selection: -	Func. diagram: 2819
	Min	Max	Factory setting
	0.00 [µs]	3600000000.00 [µs]	600000000.00 [µs]
Description:	Sets the delay time for STOP A after STOP B / SS1.		
Dependency:	Refer to: p9360, p9556		
Notice:	This parameter is overwritten by the copy function of the safety functions integrated in the drive.		
Note:	The set time is rounded internally to an integer multiple of the monitoring clock (p9500/p9300) cycle. SS1: Safe Stop 1		
p9358	SI Motion acceptance test mode time limit (processor 2) / SI Mtn acc t P2		
	Access level: 3	Calculated: -	Data type: FloatingPoint32
	Can be changed: C(95)	Scaling: -	Dyn. index: -
	Units group: -	Unit selection: -	Func. diagram: -
	Min	Max	Factory setting
	5000000.00 [µs]	100000000.00 [µs]	40000000.00 [µs]
Description:	Sets the maximum time for the acceptance test mode. If the acceptance test mode takes longer than the selected time limit, then the mode is automatically terminated.		
Dependency:	Refer to: p9558		
Notice:	This parameter is overwritten by the copy function of the safety functions integrated in the drive.		
Note:	The set time is rounded internally to an integer multiple of the monitoring clock (p9500/p9300) cycle.		
p9360	SI Motion pulse suppression shutdown speed (processor 2) / SI Mtn IL n_sh P2		
	Access level: 3	Calculated: -	Data type: FloatingPoint32
	Can be changed: C(95)	Scaling: -	Dyn. index: -
	Units group: -	Unit selection: -	Func. diagram: -
	Min	Max	Factory setting
	10.00 [rpm]	6000.00 [rpm]	10.00 [rpm]
Description:	Sets the shutdown speed for the pulse suppression. Below this speed "standstill" is assumed and for STOP B / SS1, the pulses are suppressed (by changing to STOP A).		
Dependency:	Refer to: p9356, p9560		
Notice:	This parameter is overwritten by the copy function of the safety functions integrated in the drive.		
Note:	The shutdown speed has no effect for a value = 0. SS1: Safe Stop 1		

p9363[0...3]	SI Motion SLS stop response (processor 2) / SI Mtn SLS stop P2		
	Access level: 3	Calculated: -	Data type: Integer16
	Can be changed: C(95)	Scaling: -	Dyn. index: -
	Units group: -	Unit selection: -	Func. diagram: -
	Min	Max	Factory setting
	0	1	0
Description:	Sets the stop response for the function "Safely-Limited Speed" (SLS). These settings apply to the individual limit values for SLS.		
Value:	0: STOP A 1: STOP B		
Index:	[0] = Limit value SLS1 [1] = Limit value SLS2 [2] = Limit value SLS3 [3] = Limit value SLS4		
Dependency:	Refer to: p9331, p9563		
Notice:	This parameter is overwritten by the copy function of the safety functions integrated in the drive.		
Note:	SLS: Safely-Limited Speed		
p9364	SI Motion SDI tolerance (processor 2) / SI Mtn SDI tol P2		
	Access level: 3	Calculated: -	Data type: FloatingPoint32
	Can be changed: C(95)	Scaling: -	Dyn. index: -
	Units group: -	Unit selection: -	Func. diagram: 2824
	Min	Max	Factory setting
	0.001 [°]	360.000 [°]	12.000 [°]
Description:	Sets the tolerance for the function "Safe motion direction" (SDI). This motion in the monitored direction is still permissible before safety message C30716 is initiated.		
Dependency:	Refer to: p9365, p9366		
Notice:	This parameter is overwritten by the copy function of the safety functions integrated in the drive.		
Note:	SDI: Safe Direction (safe motion direction)		
p9365	SI Motion SDI delay time (processor 2) / SI Mtn SDI t P2		
	Access level: 3	Calculated: -	Data type: FloatingPoint32
	Can be changed: C(95)	Scaling: -	Dyn. index: -
	Units group: -	Unit selection: -	Func. diagram: 2824
	Min	Max	Factory setting
	0.00 [µs]	600000000.00 [µs]	100000.00 [µs]
Description:	Sets the delay time for the function "Safe motion direction" (SDI). After selecting the SDI function, then for a maximum of this time, motion in the monitored direction is permissible. This time can therefore be used for braking any motion.		
Dependency:	Refer to: p9364, p9366		
Notice:	This parameter is overwritten by the copy function of the safety functions integrated in the drive.		
Note:	The set time is rounded internally to an integer multiple of the monitoring clock (p9500/p9300) cycle. SDI: Safe Direction (safe motion direction)		
p9366	SI Motion SDI stop response (processor 2) / SI Mtn SDI Stop P2		
	Access level: 3	Calculated: -	Data type: Integer16
	Can be changed: C(95)	Scaling: -	Dyn. index: -
	Units group: -	Unit selection: -	Func. diagram: 2824
	Min	Max	Factory setting
	0	1	1
Description:	Sets the stop response for the function "Safe motion direction" (SDI). This setting applies to both directions of motion. In the case of encoderless motion monitoring (p9306 = 1), only a value of 0 or 1 is permitted.		

2 Parameters

2.2 List of parameters

Value: 0: STOP A
1: STOP B

Dependency: Refer to: p9364, p9365

Note: SDI: Safe Direction (safe motion direction)

p9368	SI Motion SAM velocity limit (processor 2) / SI Mtn SAM v_limP2	
Access level: 3	Calculated: -	Data type: FloatingPoint32
Can be changed: C(95)	Scaling: -	Dyn. index: -
Units group: -	Unit selection: -	Func. diagram: -
Min	Max	Factory setting
0.00 [rpm]	1000.00 [rpm]	0.00 [rpm]

Description: Sets the velocity tolerance limit for the "SAM" function.

SAM is de-activated once the set velocity limit has been undershot.

Notice: This parameter is overwritten by the copy function of the safety functions integrated in the drive.

Note: SAM: Safe Acceleration Monitor (safe acceleration monitoring)

SSM: Safe Speed Monitor (safety-relevant feedback signal from the velocity monitoring)

For p9568 = p9368 = 0, the following applies:

The value in p9546/p9346 (SSM) is applied as the velocity limit for SAM.

p9370	SI Motion acceptance test mode (processor 2) / SI Mtn acc_mod P2	
Access level: 3	Calculated: -	Data type: Integer16
Can be changed: U, T	Scaling: -	Dyn. index: -
Units group: -	Unit selection: -	Func. diagram: -
Min	Max	Factory setting
0000 hex	00AC hex	0000 hex

Description: Setting to select and de-select the acceptance test mode.

Value: 0: [00 hex] De-select the acceptance test mode

172: [AC hex] Select the acceptance test mode

Dependency: Refer to: p9358, r9371

Note: Acceptance test mode can only be selected if the motion monitoring functions, which are integrated in the drives, are enabled (p9601.2/p9801.2).

r9371	SI Motion acceptance test status (processor 2) / SI Mtn acc_stat P2	
Access level: 3	Calculated: -	Data type: Integer16
Can be changed: -	Scaling: -	Dyn. index: -
Units group: -	Unit selection: -	Func. diagram: -
Min	Max	Factory setting
0000 hex	00AC hex	-

Description: Displays the status of the acceptance test mode.

Value: 0: [00 hex] Acc_mode inactive

12: [0C hex] Acc_mode not possible due to POWER ON fault

13: [0D hex] Acc_mode not possible due to incorrect ID in p9370

15: [0F hex] Acc_mode not possible due to expired Acc_timer

172: [AC hex] Acc_mode active

Dependency: Refer to: p9358, p9370

p9381	SI Motion brake ramp reference value (processor 2) / SI Mtn ramp ref P2	
Access level: 3	Calculated: -	Data type: FloatingPoint32
Can be changed: C(95)	Scaling: -	Dyn. index: -
Units group: -	Unit selection: -	Func. diagram: -
Min	Max	Factory setting
600.0000 [rpm]	240000.0000 [rpm]	1500.0000 [rpm]

Description: Sets the reference value to define the brake ramp.

The rate of rise of the brake ramp depends upon p9381 (reference value) and p9383 (monitoring time).

Dependency: Refer to: p9382, p9383
Notice: This parameter is overwritten by the copy function of the safety functions integrated in the drive.

p9382	SI Motion brake ramp delay time (processor 2) / SI Mtn rp t_del P2		
	Access level: 3	Calculated: -	Data type: FloatingPoint32
	Can be changed: C(95)	Scaling: -	Dyn. index: -
	Units group: -	Unit selection: -	Func. diagram: -
	Min	Max	Factory setting
	10000.00 [µs]	99000000.00 [µs]	250000.00 [µs]

Description: Sets the delay time for monitoring the brake ramp.
 Monitoring of the brake ramp starts once the delay time has elapsed.

Dependency: Refer to: p9381, p9383
Notice: This parameter is overwritten by the copy function of the safety functions integrated in the drive.
Note: The set time is rounded internally to an integer multiple of the monitoring clock (p9500/p9300) cycle.
 Internally, the set time is limited downwards to 2 safety monitoring clock cycles (2 * 12 ms).

p9383	SI Motion brake ramp monitoring time (processor 2) / SI Mtn rp t_mon P2		
	Access level: 3	Calculated: -	Data type: FloatingPoint32
	Can be changed: C(95)	Scaling: -	Dyn. index: -
	Units group: -	Unit selection: -	Func. diagram: -
	Min	Max	Factory setting
	500.00 [ms]	3600000.00 [ms]	10000.00 [ms]


Description: Sets the monitoring time to define the brake ramp.
 The rate of rise of the brake ramp depends upon p9381 (reference value) and p9383 (monitoring time).

Dependency: Refer to: p9381, p9382
Notice: This parameter is overwritten by the copy function of the safety functions integrated in the drive.
Note: The set time is rounded internally to an integer multiple of the monitoring clock (p9500/p9300) cycle.

p9385	SI Motion actual value sensing sensorless fault tolerance (MM) / ActVal si tol MM		
	Access level: 3	Calculated: -	Data type: Integer32
	Can be changed: C(95)	Scaling: -	Dyn. index: -
	Units group: -	Unit selection: -	Func. diagram: -
	Min	Max	Factory setting
	-1	4	-1

Description: Sets the tolerance of the plausibility monitoring of the current and voltage angle.
 A higher value results in a higher degree of ruggedness when reversing at low speeds, as well as in the field weakening range for load steps.
 An increase is advantageous, if the current or voltage at the motor become small.

Dependency: Refer to: p9507
Notice: This parameter is overwritten by the copy function of the safety functions integrated in the drive.
 Reducing this value can adversely affect the actual value sensing and the plausibility check.
 When the value is increased, this results in a longer evaluation delay and a higher velocity deviation (r9787).
Note: This parameter is only effective for encoderless actual value sensing (p9506/p9306 = 1, 3).
 For synchronous motors, the value 4 must be set.
 If value = -1:
 - for synchronous motors, the calculation is automatically made with the value 4.
 - for induction motors, the calculation is automatically made with a value of 0 (if the code number of the power unit p0201[0] < 14000, otherwise with a value of 2).

p9386	SI Motion actual value sensing sensorless delay time (P2) / ActVal sl t_del P2		
	Access level: 3	Calculated: -	Data type: FloatingPoint32
	Can be changed: C(95)	Scaling: -	Dyn. index: -
	Units group: -	Unit selection: -	Func. diagram: -
	Min	Max	Factory setting
	5.00 [ms]	1000.00 [ms]	100.00 [ms]
Description:	Sets the delay time to evaluate the encoderless actual value sensing after the pulses have been enabled. The value must be greater than or equal to the motor magnetizing time (p0346).		
Caution:	The safety functionality is only completely guaranteed after this time has expired.		
			
Notice:	This parameter is overwritten by the copy function of the safety functions integrated in the drive. If this value is reduced, this can have a negative impact on the actual value acquisition and plausibility check – and result in Safety message C30711 with the message value 1041 or 1042.		
Note:	This parameter is only effective for encoderless actual value sensing (p9506/p9306 = 1, 3). The set time is rounded internally to an integer multiple of the monitoring clock (p9500/p9300) cycle.		
p9387	SI Motion actual value sensing sensorless filter time (P2) / Actv sl t_filt P2		
	Access level: 4	Calculated: -	Data type: FloatingPoint32
	Can be changed: C(95)	Scaling: -	Dyn. index: -
	Units group: -	Unit selection: -	Func. diagram: -
	Min	Max	Factory setting
	0.00 [µs]	100000.00 [µs]	25000.00 [µs]
Description:	Sets the filter time for smoothing the actual value with sensorless actual value sensing.		
Notice:	This parameter is overwritten by the copy function of the safety functions integrated in the drive. A longer filter time results in a longer response time.		
p9388	SI Motion actual value sensing minimum current (P2) / ActVal sl I_min P2		
	Access level: 3	Calculated: -	Data type: FloatingPoint32
	Can be changed: C(95)	Scaling: -	Dyn. index: -
	Units group: -	Unit selection: -	Func. diagram: -
	Min	Max	Factory setting
	0.00 [%]	1000.00 [%]	10.00 [%]
Description:	Sets the minimum current for encoderless actual value sensing referred to 1 A (i.e. 1 % = 10 mA). - The value must be increased if C30711 has occurred with message value 1042. - The value must be decreased if C30711 has occurred with message value 1041. For synchronous motors, the following condition must be fulfilled: $ p0305 \times p9783 \geq p9388 \times 1.2$		
Recommend.:	If required, the correct value of the motor minimum current should be determined by making the appropriate measurements.		
Dependency:	Refer to: r9785		
Notice:	This parameter is overwritten by the copy function of the safety functions integrated in the drive. If this percentage value is reduced excessively, then this can result in a safety message and an inaccurate actual value.		

p9389	SI Motion actual value sensing sensorless accel. limit (P2) / ActVal sl a_lim P2		
	Access level: 3	Calculated: -	Data type: FloatingPoint32
	Can be changed: C(95)	Scaling: -	Dyn. index: -
	Units group: -	Unit selection: -	Func. diagram: -
	Min 10.00 [%]	Max 3300.00 [%]	Factory setting 100.00 [%]
Description:	Sets the acceleration limit to filter velocity fluctuations. If this percentage value is increased, when accelerating, velocity peaks that do not reflect the real velocity characteristic can occur. If this value is decreased, and this dampens the velocity peaks when accelerating. - The value must be increased if C30711 with message value 1043 has occurred. - The value must be lowered if acceleration procedures have led to an excessive Safety actual velocity.		
Recommend.:	The setting of this parameter depends on the motor and closed-loop control, and must be newly determined for each configuration. To do this, a measurement should be performed while the actual value jumps, and the limit in r9785[0] must be set so low using p9389, so that it is exceeded by the value in r9785[1] a maximum of four times per second. The actual value correction filter intervenes at this instant in time. The step is no longer so drastic.		
Dependency:	Refer to: r9784		
Notice:	This parameter is overwritten by the copy function of the safety functions integrated in the drive.		
r9398[0...1]	SI Motion actual checksum SI parameters (processor 2) / SI Mtn act CRC P2		
	Access level: 3	Calculated: -	Data type: Unsigned32
	Can be changed: -	Scaling: -	Dyn. index: -
	Units group: -	Unit selection: -	Func. diagram: -
	Min -	Max -	Factory setting -
Description:	Displays the checksum over the checked Safety Integrated parameters of the motion monitoring functions (actual checksum) on processor 2.		
Index:	[0] = Checksum over SI parameters for motion monitoring [1] = Checksum over SI parameters with hardware reference		
Dependency:	Refer to: p9399		
p9399[0...1]	SI Motion setpoint checksum SI parameters (processor 2) / SI Mtn setp CRC P2		
	Access level: 3	Calculated: -	Data type: Unsigned32
	Can be changed: C(95)	Scaling: -	Dyn. index: -
	Units group: -	Unit selection: -	Func. diagram: -
	Min 0000 hex	Max FFFF FFFF hex	Factory setting 0000 hex
Description:	Sets the checksum over the checked Safety Integrated parameters of the motion monitoring functions (actual checksum) on processor 2.		
Index:	[0] = Checksum over SI parameters for motion monitoring [1] = Checksum over SI parameters with hardware reference		
Dependency:	Refer to: r9398		
p9400	Safely remove memory card / Mem_card rem		
	Access level: 2	Calculated: -	Data type: Integer16
	Can be changed: T	Scaling: -	Dyn. index: -
	Units group: -	Unit selection: -	Func. diagram: -
	Min 0	Max 100	Factory setting 0
Description:	Setting and display when memory card is "removed safely". Procedure: Setting p9400 = 2 results in a value of 3 --> The memory card can be removed safely. After removal the value sets itself to 0 automatically.		

2 Parameters

2.2 List of parameters

Setting p9400 = 2 results in a value of 100

--> The memory card cannot be removed safely. Removal may destroy the file system on the memory card. It may be necessary to set p9400 = 2 again.

Value:
 0: No memory card inserted
 1: Memory card inserted
 2: Request "safe removal" of the memory card
 3: "Safe removal" possible
 100: "Safe removal" not possible due to access

Dependency: Refer to: r9401

Notice: Removing the memory card without a request (p9400 = 2) and confirmation (p9400 = 3) may destroy the file system on the memory card. The memory card will then no longer work properly and must be replaced.

Note: The status when the memory card is being "removed safely" is shown in r9401.

Re value = 0, 1, 3, 100:

These values can only be displayed, not set.

r9401

Safely remove memory card status / Mem_card rem stat

Access level: 2	Calculated: -	Data type: Unsigned16
Can be changed: -	Scaling: -	Dyn. index: -
Units group: -	Unit selection: -	Func. diagram: -
Min	Max	Factory setting
-	-	-

Description: Displays the status of the memory card.

Bit field:	Bit	Signal name	1 signal	0 signal	FP
	00	Memory card inserted	Yes	No	-
	01	Memory card activated	Yes	No	-
	02	SIEMENS memory card	Yes	No	-
	03	Memory card as USB data storage medium from the PC used	Yes	No	-

Dependency: Refer to: p9400

Note: Re bit 01, 00:

Bit 1/0 = 0/0: No memory card inserted (corresponds to p9400 = 0).

Bit 1/0 = 0/1: "Safe removal" possible (corresponds to p9400 = 3).

Bit 1/0 = 1/0: Status not possible.

Bit 1/0 = 1/1: Memory card inserted (corresponds to p9400 = 1, 2, 100).

Re bit 02, 00:

Bit 2/0 = 0/0: No memory card inserted.

Bit 2/0 = 0/1: Memory card inserted, but not a SIEMENS memory card.

Bit 2/0 = 1/0: Status not possible.

Bit 2/0 = 1/1: SIEMENS memory card inserted.

r9406[0...19]

PS file parameter number parameter not transferred / PS par_no n transf

Access level: 4	Calculated: -	Data type: Unsigned16
Can be changed: -	Scaling: -	Dyn. index: -
Units group: -	Unit selection: -	Func. diagram: -
Min	Max	Factory setting
-	-	-

Description: Displays the parameters that were not able to be transferred when reading the parameter back-up files (PS files) from the non-volatile memory (e.g. memory card).

r9406[0] = 0

--> All of the parameter values were able to be transferred error-free.

r9406[0...x] > 0

--> indicates the parameter number in the following cases:

- parameter, whose value was not able to be completely accepted.

- indexed parameter, where at least 1 index was not able to be accepted. The first index that is not transferred is displayed in r9407.

Dependency: Refer to: r9407, r9408

Note: All indices from r9406 to r9408 designate the same parameter.
 r9406[x] parameter number, parameter not accepted
 r9407[x] parameter index, parameter not accepted
 r9408[x] fault code, parameter not accepted

r9407[0...19]	PS file parameter index parameter not transferred / PS parameter index		
Access level: 4	Calculated: -	Data type: Unsigned16	
Can be changed: -	Scaling: -	Dyn. index: -	
Units group: -	Unit selection: -	Func. diagram: -	
Min	Max	Factory setting	
-	-	-	

Description: Displays the first index of the parameters that could not be transferred when the parameter backup files (PS files) were read from the non-volatile memory (e.g. memory card).
 If, from an indexed parameter, at least one index was not able to be transferred, then the parameter number is displayed in r9406[n] and the first index that was not transferred is displayed in r9407[n].
 r9406[0] = 0
 --> All of the parameter values were able to be transferred error-free.
 r9406[n] > 0
 --> Displays r9407[n] the first index of the parameter number r9406[n] that was not transferred.

Dependency: Refer to: r9406, r9408

Note: All indices from r9406 to r9408 designate the same parameter.
 r9406[x] parameter number, parameter not accepted
 r9407[x] parameter index, parameter not accepted
 r9408[x] fault code, parameter not accepted

r9408[0...19]	PS file fault code parameter not transferred / PS fault code		
Access level: 4	Calculated: -	Data type: Unsigned16	
Can be changed: -	Scaling: -	Dyn. index: -	
Units group: -	Unit selection: -	Func. diagram: -	
Min	Max	Factory setting	
-	-	-	

Description: Only for internal Siemens service purposes.

Dependency: Refer to: r9406, r9407

Note: All indices from r9406 to r9408 designate the same parameter.
 r9406[x] parameter number, parameter not accepted
 r9407[x] parameter index, parameter not accepted
 r9408[x] fault code, parameter not accepted

r9409	Number of parameters to be saved / Qty par to save		
Access level: 4	Calculated: -	Data type: Unsigned16	
Can be changed: -	Scaling: -	Dyn. index: -	
Units group: -	Unit selection: -	Func. diagram: -	
Min	Max	Factory setting	
-	-	-	

Description: Displays the number of modified parameters and those that have still not be saved for this drive object.

Dependency: Refer to: p0971

Notice: Inherent to the system, the list of the parameters to be backed up is empty after the following actions:
 - Download
 - Warm restart
 - Factory setting

In these cases, a new parameter backup must be initiated, which is then the starting point for the list of modified parameters.

Note: The modified parameters that still need to be saved are internally listed in r9410 ... r9419.

r9451[0...29]	Units changeover adapted parameters / Unit_chngov par		
	Access level: 4	Calculated: -	Data type: Unsigned32
	Can be changed: -	Scaling: -	Dyn. index: -
	Units group: -	Unit selection: -	Func. diagram: -
	Min	Max	Factory setting
	-	-	-
Description:	Displays the parameters whose parameter would have to be changed during a units changeover.		
r9463	Actual macro / Actual macro		
	Access level: 3	Calculated: -	Data type: Unsigned32
	Can be changed: -	Scaling: -	Dyn. index: -
	Units group: -	Unit selection: -	Func. diagram: -
	Min	Max	Factory setting
	0	999999	-
Description:	Displays the set valid macro.		
Note:	A value of 0 is displayed if a parameter set by a macro is changed.		
p9484	BICO interconnections search signal source / BICO S_src srch		
	Access level: 3	Calculated: -	Data type: Unsigned32
	Can be changed: U, T	Scaling: -	Dyn. index: -
	Units group: -	Unit selection: -	Func. diagram: -
	Min	Max	Factory setting
	0	4294967295	0
Description:	Sets the signal source (BO/CO parameter, BICO coded) to search in the signal sinks. The signal source to be searched for is set in p9484 (BICO-coded) and the search result is specified using the number (r9485) and the first index (r9486).		
Dependency:	Refer to: r9485, r9486		
r9485	BICO interconnections signal source search count / BICO S_src srchQty		
	Access level: 3	Calculated: -	Data type: Unsigned16
	Can be changed: -	Scaling: -	Dyn. index: -
	Units group: -	Unit selection: -	Func. diagram: -
	Min	Max	Factory setting
	-	-	-
Description:	Displays the number of BICO interconnections to the signal sink being searched for.		
Dependency:	Refer to: p9484, r9486		
Note:	The signal source to be searched is set in p9484 (BICO-coded). The search result is contained in r9482 and r9483 and is specified by the count (r9485) and the first index (r9486).		
r9486	BICO interconnections signal source search first index / BICO S_src srchIdx		
	Access level: 3	Calculated: -	Data type: Unsigned16
	Can be changed: -	Scaling: -	Dyn. index: -
	Units group: -	Unit selection: -	Func. diagram: -
	Min	Max	Factory setting
	-	-	-
Description:	Displays the first index of the signal source being searched for. The signal source to be searched for is set in p9484 (BICO-coded) and the search result is specified using the number (r9485) and the first index (r9486).		
Dependency:	Refer to: p9484, r9485		
Note:	The signal source to be searched is set in p9484 (BICO-coded). The search result is contained in r9482 and r9483 and is specified by the count (r9485) and the first index (r9486).		

p9495	BICO behavior for de-activated drive objects / Behav for deact DO		
	Access level: 3	Calculated: -	Data type: Integer16
	Can be changed: T	Scaling: -	Dyn. index: -
	Units group: -	Unit selection: -	Func. diagram: -
	Min	Max	Factory setting
	0	2	0
Description:	Sets the behavior for BICO interconnections to drive objects that are either not capable of operation or have been deactivated. BO/CO parameters are on the drive object that is either not capable of operation or has been deactivated (signal source).		
Value:	0: Inactive 1: Save interconnections 2: Save interconnections and establish the factory setting		
Dependency:	Refer to: p9496, p9497, p9498, p9499		
Note:	For p9495 = 0, the following applies: - the number of interconnections is zero (p9497 = 0). For p9495 not equal to 0, the following applies: - the BI/CI parameters involved are listed in p9498[0...29] (signal sink). - the associated BO/CO parameters are listed in p9499[0...29] (signal source).		
p9496	BICO behavior when activating drive objects / Behav when act DO		
	Access level: 3	Calculated: -	Data type: Integer16
	Can be changed: T	Scaling: -	Dyn. index: -
	Units group: -	Unit selection: -	Func. diagram: -
	Min	Max	Factory setting
	0	2	0
Description:	Sets the behavior when activating BICO interconnections to drive objects that are either not capable of operation or have been deactivated.		
Value:	0: Inactive 1: Restore the interconnections from the list 2: Delete the interconnections from the list		
Dependency:	Refer to: p9495, p9497, p9498, p9499		
Note:	The BI/CI parameters involved are listed in p9498[0...29] (signal sink). The associated BO/CO parameters are listed in p9499[0...29] (signal source). After p9496 = 1, 2 the following applies: - p9497 = 0 - p9496 = 0		
p9497	BICO interconnections to de-activated drive objects number / Interconn obj qty		
	Access level: 3	Calculated: -	Data type: Unsigned16
	Can be changed: T	Scaling: -	Dyn. index: -
	Units group: -	Unit selection: -	Func. diagram: -
	Min	Max	Factory setting
	0	65535	0
Description:	Displays the number of saved BICO interconnections to drive objects that are either not capable of operation or have been deactivated. BO/CO parameters are on the drive object that is either not capable of operation or has been deactivated (signal source).		
Dependency:	Refer to: p9495, p9496, p9498, p9499		

p9498[0...29]	BICO BI/CI parameters to de-activated drive objects / BI/CI to deact obj		
	Access level: 3	Calculated: -	Data type: Unsigned32
	Can be changed: T	Scaling: -	Dyn. index: -
	Units group: -	Unit selection: -	Func. diagram: -
	Min	Max	Factory setting
	-	-	0
Description:	Displays the saved BI/CI parameters (signal sink), whose source is located on drive objects that are either not capable of operation or have been deactivated.		
Dependency:	Refer to: p9495, p9496, p9497, p9499		
Note:	A BICO interconnection (signal sink, signal source) is displayed in the same index of p9498 and p9499.		

p9499[0...29]	BICO BO/CO parameters to de-activated drive objects / BO/CO to deact obj		
	Access level: 3	Calculated: -	Data type: Unsigned32
	Can be changed: T	Scaling: -	Dyn. index: -
	Units group: -	Unit selection: -	Func. diagram: -
	Min	Max	Factory setting
	-	-	0
Description:	Displays the saved BO/CO parameters (signal source), which are located on drive objects that are either not capable of operation or have been deactivated.		
Dependency:	Refer to: p9495, p9496, p9497, p9498		
Note:	A BICO interconnection (signal sink, signal source) is displayed in the same index of p9498 and p9499.		

p9501	SI Motion enable safety functions (processor 1) / SI Mtn enable P1			
CU250S_V_DP	Access level: 3	Calculated: -	Data type: Unsigned32	
CU250S_V_PN	Can be changed: C(95)	Scaling: -	Dyn. index: -	
	Units group: -	Unit selection: -	Func. diagram: -	
	Min	Max	Factory setting	
	-	-	0000 0000 0000 0000 0000 0000 0000 0000 0000 bin	
Description:	Sets the enable signals for the safe motion monitoring.			
Bit field:	Bit	Signal name	1 signal	0 signal
	00	Enable SI Motion	Enable	Inhibit
	16	Enable SSM hysteresis and filtering	Enable	Inhibit
	17	Enable SDI	Enable	Inhibit
	30	Enable F-DI in PROFIsafe telegram	Enable	Inhibit
Note:	A change only becomes effective after a POWER ON. For bit 30 = 1, PROFIsafe telegram 900 must be configured in the F host. SDI: Safe Direction (safe motion direction) SLS: Safely-Limited Speed SSM: Safe Speed Monitor (safety-relevant feedback signal from the velocity monitoring)			

p9501	SI Motion enable safety functions (processor 1) / SI Mtn enable P1			
CU250S_V	Access level: 3	Calculated: -	Data type: Unsigned32	
CU250S_V_CAN	Can be changed: C(95)	Scaling: -	Dyn. index: -	
	Units group: -	Unit selection: -	Func. diagram: -	
	Min	Max	Factory setting	
	-	-	0000 0000 0000 0000 0000 0000 0000 0000 0000 bin	
Description:	Sets the enable signals for the safe motion monitoring.			
Bit field:	Bit	Signal name	1 signal	0 signal
	00	Enable SI Motion	Enable	Inhibit
	16	Enable SSM hysteresis and filtering	Enable	Inhibit
	17	Enable SDI	Enable	Inhibit

Note: A change only becomes effective after a POWER ON.
 For bit 30 = 1, PROFIsafe telegram 900 must be configured in the F host.
 SDI: Safe Direction (safe motion direction)
 SLS: Safely-Limited Speed
 SSM: Safe Speed Monitor (safety-relevant feedback signal from the velocity monitoring)

p9506	SI Motion function specification (processor 1) / SI Mtn fct_spc P1		
Access level: 3	Calculated: -	Data type: Integer16	
Can be changed: C(95)	Scaling: -	Dyn. index: -	
Units group: -	Unit selection: -	Func. diagram: -	
Min	Max	Factory setting	
1	3	1	

Description: Sets the function specification for the safe motion monitoring.

Value:
 1: Safety without encoder with braking ramp (SBR)
 3: Safety without encoder with accel_monitoring(SAM) / delay time

p9507	SI Motion function configuration (processor 1) / SI Mtn config P1		
Access level: 3	Calculated: -	Data type: Unsigned32	
Can be changed: C(95)	Scaling: -	Dyn. index: -	
Units group: -	Unit selection: -	Func. diagram: -	
Min	Max	Factory setting	
-	-	0011 bin	

Description: Sets the function configuration for safe motion monitoring.

Bit field:	Bit	Signal name	1 signal	0 signal	FP
	00	Extended message acknowledgement	Yes	No	-
	01	Setpoint velocity limit for STOP F	No	Yes	-

Note:
 Re bit 00:
 When the function is activated, a safety-relevant acknowledgement (internal event acknowledge) can be performed by selecting/deselecting STO.
 Re bit 01:
 When the function is activated, the active setpoint velocity limit (CO: r9733) is set to zero when STOP F is active.

p9509	SI Motion behavior during pulse suppression (processor 1) / SI Mtn behav IL P1		
Access level: 3	Calculated: -	Data type: Unsigned32	
Can be changed: C(95)	Scaling: -	Dyn. index: -	
Units group: -	Unit selection: -	Func. diagram: -	
Min	Max	Factory setting	
-	-	0000 0000 1111 1111 bin	

Description: Sets the behavior of safety functions and their feedback during pulse suppression in encoderless operation.

Bit field:	Bit	Signal name	1 signal	0 signal	FP
	00	SSM during pulse suppression and sensorless	Becomes inactive	Remains active	-
	08	SDI during pulse suppression and sensorless	Becomes inactive	Remains active	-

Notice:
 Re bit 00:
 If the OFF1 or the OFF3 ramp-down time is too low, or there is an insufficient clearance between the SSM limit speed, and the shutdown speed, then it is possible that the "speed under limit value" signal does not change to 1, because no speed actual value below the SSM limit was able to be identified before pulse cancellation. In this case, the OFF1 or the OFF3 ramp-down time or the clearance between the SSM limit speed and shutdown speed must be increased.

Note:
 SDI: Safe Direction (safe motion direction)
 SSM: Safe Speed Monitor (safety-relevant feedback signal from the velocity monitoring)
 Re bit 00:
 For bit = 1 and with the SSM safety function activated, the following applies:
 - During pulse suppression, monitoring is switched off and the feedback signal has a 0 signal level.

2 Parameters

2.2 List of parameters

For bit = 0 and with the SSM safety function activated, the following applies:

- Monitoring continues during pulse suppression. The feedback signal last displayed before pulse suppression is kept and the system goes into the STO state.

Re bit 08:

For bit = 1 and with the SDI safety function activated, the following applies:

- During pulse suppression, monitoring is switched off and the status signal indicates inactive.


For bit = 0 and with the SDI safety function activated, the following applies:

- Monitoring continues during pulse suppression. The status signal indicates active and the system goes into the STO state.

p9521[0...7]	SI Motion gearbox motor/load denominator (processor 1) / SI Mtn gear den P1		
	Access level: 3	Calculated: -	Data type: Unsigned32
	Can be changed: C(95)	Scaling: -	Dyn. index: -
	Units group: -	Unit selection: -	Func. diagram: -
	Min	Max	Factory setting
	1	2147000000	1
Description:	Sets the denominator for the gearbox between the motor and the load.		
Index:	[0] = Gearbox 1 [1] = Gearbox 2 [2] = Gearbox 3 [3] = Gearbox 4 [4] = Gearbox 5 [5] = Gearbox 6 [6] = Gearbox 7 [7] = Gearbox 8		
Dependency:	Refer to: p9522		
Notice:	It is not possible to change over the gearbox stages. Gearbox 1 (index 0) is always active.		
<hr/>			
p9522[0...7]	SI Motion gearbox motor/load numerator (processor 1) / SI Mtn gear num P1		
	Access level: 3	Calculated: -	Data type: Unsigned32
	Can be changed: C(95)	Scaling: -	Dyn. index: -
	Units group: -	Unit selection: -	Func. diagram: -
	Min	Max	Factory setting
	1	2147000000	1
Description:	Sets the numerator for the gearbox between the motor and the load.		
Index:	[0] = Gearbox 1 [1] = Gearbox 2 [2] = Gearbox 3 [3] = Gearbox 4 [4] = Gearbox 5 [5] = Gearbox 6 [6] = Gearbox 7 [7] = Gearbox 8		
Dependency:	Refer to: p9521		
Notice:	It is not possible to change over the gearbox stages. Gearbox 1 (index 0) is always active.		
Note:	In the case of encoderless monitoring functions, the pole pair number must be multiplied by the numerator of the gearbox ratio. Example: Gearbox ratio 1:4, pole pair number (r0313) = 2 --> p9521 = 1, p9522 = 8 (4 x 2)		

p9531[0...3]	SI Motion SLS limit values (processor 1) / SI Mtn SLS lim P1		
	Access level: 3	Calculated: -	Data type: FloatingPoint32
	Can be changed: C(95)	Scaling: -	Dyn. index: -
	Units group: -	Unit selection: -	Func. diagram: -
	Min	Max	Factory setting
	0.01 [rpm]	100000.00 [rpm]	2000.00 [rpm]
Description:	Sets the limit values for the function "Safely-Limited Speed" (SLS).		
Index:	[0] = Limit value SLS1 [1] = Limit value SLS2 [2] = Limit value SLS3 [3] = Limit value SLS4		
Dependency:	Refer to: p9563		
Note:	SLS: Safely-Limited Speed		
p9533	SI Motion SLS setpoint speed limit (processor 1) / SI Mtn SLS set_lim		
	Access level: 3	Calculated: -	Data type: FloatingPoint32
	Can be changed: U, T	Scaling: -	Dyn. index: -
	Units group: -	Unit selection: -	Func. diagram: -
	Min	Max	Factory setting
	0.000 [%]	100.000 [%]	80.000 [%]
Description:	This is an evaluation factor to define the setpoint limit from the selected actual speed limit. The active SLS limit value is evaluated with this factor and is made available as setpoint limit in r9733.		
Dependency:	This parameter only has to be parameterized for the motion monitoring functions integrated in the drive (p9601.2 = 1) r9733[0] = p9531[x] x p9533 (converted from the load side to the motor side) r9733[1] = - p9531[x] x p9533 (converted from the load side to the motor side) [x] = Selected SLS stage Conversion factor from the motor side to the load side: - motor type = rotary and axis type = linear: p9522 / (p9521 x p9520) - otherwise: p9522 / p9521 Refer to: p9501, p9531, p9601		
Note:	The active actual speed limit is selected via PROFIsafe. With STOP A, B, setpoint 0 is specified in r9733. For p9533 = 0, the setpoint speed limit is de-activated and r9733[0] is set to p1082 and r9733[1] is set to -p1082. SLS: Safely-Limited Speed		
p9542	SI Motion act. val. comparison tolerance (crossw.) (processor 1) / SI Mtn act tol P1		
	Access level: 3	Calculated: -	Data type: FloatingPoint32
	Can be changed: C(95)	Scaling: -	Dyn. index: -
	Units group: -	Unit selection: -	Func. diagram: -
	Min	Max	Factory setting
	0.0010 [°]	360.0000 [°]	12.0000 [°]
Description:	Sets the tolerance for the crosswise data comparison of the actual position between processors 1 and 2.		
Note:	For a linear axis, the tolerance is internally limited to 10 mm. For a "linear axis with rotating motor" and factory setting of p9520, p9521 and p9522, the factory setting of p9542 corresponds to a position tolerance of 36 ° on the motor side.		

p9545	SI Motion SSM filter time (processor 1) / SI Mtn SSM filt P1		
	Access level: 3	Calculated: -	Data type: FloatingPoint32
	Can be changed: C(95)	Scaling: -	Dyn. index: -
	Units group: -	Unit selection: -	Func. diagram: 2823
	Min	Max	Factory setting
	0.00 [ms]	100.00 [ms]	0.00 [ms]
Description:	Sets the filter time for the SSM feedback signal to detect standstill.		
Note:	The filter time is effective only if the function is enabled (p9501.16 = 1). The parameter is included in the crosswise data comparison of the two monitoring channels. The set time is rounded internally to an integer multiple of the monitoring clock (p9500/p9300) cycle. SSM: Safe Speed Monitor (safety-relevant feedback signal from the velocity monitoring)		

p9546	SI Motion SSM velocity limit (processor 1) / SI Mtn SSM v_limP1		
	Access level: 3	Calculated: -	Data type: FloatingPoint32
	Can be changed: C(95)	Scaling: -	Dyn. index: -
	Units group: -	Unit selection: -	Func. diagram: 2823
	Min	Max	Factory setting
	0.00 [rpm]	100000.00 [rpm]	20.00 [rpm]
Description:	Sets the velocity limit for the SSM feedback signal to detect standstill ($n < nx$). When this limit value is undershot, the signal "SSM feedback signal active" is set.		
Caution:	The following applies for p9506 = 3: The "SAM" function is switched out if the selected threshold value is undershot.		
			
Note:	SAM: Safe Acceleration Monitor (safe acceleration monitoring) SSM: Safe Speed Monitor (safety-relevant feedback signal from the velocity monitoring)		

p9547	SI Motion SSM velocity hysteresis (processor 1) / SI Mtn SSM hyst P1		
	Access level: 3	Calculated: -	Data type: FloatingPoint32
	Can be changed: C(95)	Scaling: -	Dyn. index: -
	Units group: -	Unit selection: -	Func. diagram: 2823
	Min	Max	Factory setting
	0.0010 [rpm]	500.0000 [rpm]	10.0000 [rpm]
Description:	Sets the velocity hysteresis for the SSM feedback signal to detect standstill ($n < nx$).		
Note:	The velocity hysteresis is effective only if the function is enabled (p9501.16 = 1). The parameter is included in the crosswise data comparison of the two monitoring channels. SSM: Safe Speed Monitor (safety-relevant feedback signal from the velocity monitoring)		


p9548	SI Motion SAM actual velocity tolerance (processor 1) / SI mtn SAM tol P1		
	Access level: 3	Calculated: -	Data type: FloatingPoint32
	Can be changed: C(95)	Scaling: -	Dyn. index: -
	Units group: -	Unit selection: -	Func. diagram: -
	Min	Max	Factory setting
	0.00 [rpm]	120000.00 [rpm]	300.00 [rpm]
Description:	Sets the velocity tolerance for the "SAM" function.		
Note:	SAM: Safe Acceleration Monitor (safe acceleration monitoring)		

p9551	SI Motion SLS changeover delay time (processor 1) / SI Mtn SLS t P1		
	Access level: 3	Calculated: -	Data type: FloatingPoint32
	Can be changed: C(95)	Scaling: -	Dyn. index: -
	Units group: -	Unit selection: -	Func. diagram: 2819, 2820
	Min	Max	Factory setting
	0.00 [ms]	600000.00 [ms]	100.00 [ms]
Description:	Sets the delay time for the SLS changeover for the function "safely limited speed" (SLS). When transitioning from a higher to a lower safely-limited velocity/speed stage, within this delay time, the "old" velocity stage remains active. Even if SLS is activated from the state "SLS in active", then this delay is still applied.		
Note:	SLS: Safely-Limited Speed		
p9556	SI Motion pulse suppression delay time (processor 1) / SI Mtn IL t_del P1		
	Access level: 3	Calculated: -	Data type: FloatingPoint32
	Can be changed: C(95)	Scaling: -	Dyn. index: -
	Units group: -	Unit selection: -	Func. diagram: 2819
	Min	Max	Factory setting
	0.00 [ms]	3600000.00 [ms]	600000.00 [ms]
Description:	Sets the delay time for STOP A after STOP B.		
Dependency:	Refer to: p9560		
Note:	The set time is rounded internally to an integer multiple of the monitoring clock (p9500/p9300) cycle.		
p9558	SI Motion acceptance test mode time limit (processor 1) / SI Mtn acc t P1		
	Access level: 3	Calculated: -	Data type: FloatingPoint32
	Can be changed: C(95)	Scaling: -	Dyn. index: -
	Units group: -	Unit selection: -	Func. diagram: -
	Min	Max	Factory setting
	5000.00 [ms]	100000.00 [ms]	40000.00 [ms]
Description:	Sets the maximum time for the acceptance test mode. If the acceptance test mode takes longer than the selected time limit, then the mode is automatically terminated.		
Note:	The set time is rounded internally to an integer multiple of the monitoring clock (p9500/p9300) cycle.		
p9559	SI Motion forced checking procedure timer (processor 1) / SI Mtn dyn timer		
	Access level: 3	Calculated: -	Data type: FloatingPoint32
	Can be changed: C(95)	Scaling: -	Dyn. index: -
	Units group: -	Unit selection: -	Func. diagram: -
	Min	Max	Factory setting
	0.00 [h]	9000.00 [h]	8.00 [h]
Description:	Sets the time interval for carrying out the forced checking procedure and testing the safety motion monitoring functions integrated in the drives. Within the parameterized time, the safety functions must have been tested at least once (including de-selection of the "STO" function). This monitoring time is reset each time the test is carried out. The signal source to initiate the forced checking procedure is set in p9705.		
Dependency:	Refer to: p9705		
Note:	STO: Safe Torque Off		

p9560	SI Motion pulse suppression shutdown speed (processor 1) / SI Mtn IL v_sh P1		
	Access level: 3	Calculated: -	Data type: FloatingPoint32
	Can be changed: C(95)	Scaling: -	Dyn. index: -
	Units group: -	Unit selection: -	Func. diagram: -
	Min	Max	Factory setting
	10.00 [rpm]	6000.00 [rpm]	10.00 [rpm]
Description:	Sets the shutdown speed for the pulse suppression. Below this speed "standstill" is assumed and for STOP B / SS1, the pulses are suppressed (by changing to STOP A).		
Dependency:	Refer to: p9556		
Note:	The shutdown speed has no effect for a value = 0. SS1: Safe Stop 1		
p9563[0...3]	SI Motion SLS-specific stop response (processor 1) / SI Mtn SLS stop P1		
	Access level: 3	Calculated: -	Data type: Integer16
	Can be changed: C(95)	Scaling: -	Dyn. index: -
	Units group: -	Unit selection: -	Func. diagram: -
	Min	Max	Factory setting
	0	1	0
Description:	Sets the SLS-specific stop response for the function "Safely-Limited Speed" (SLS). These settings apply to the individual limit values for SLS.		
Value:	0: STOP A 1: STOP B		
Index:	[0] = Limit value SLS1 [1] = Limit value SLS2 [2] = Limit value SLS3 [3] = Limit value SLS4		
Dependency:	Refer to: p9531		
Note:	SLS: Safely-Limited Speed		
p9564	SI Motion SDI tolerance (processor 1) / SI Mtn SDI tol P1		
	Access level: 3	Calculated: -	Data type: FloatingPoint32
	Can be changed: C(95)	Scaling: -	Dyn. index: -
	Units group: -	Unit selection: -	Func. diagram: 2824
	Min	Max	Factory setting
	0.001 [°]	360.000 [°]	12.000 [°]
Description:	Sets the tolerance for the function "Safe motion direction" (SDI). This motion in the monitored direction is still permissible before safety message C01716 is initiated.		
Dependency:	Refer to: p9565, p9566		
Note:	SDI: Safe Direction (safe motion direction)		
p9565	SI Motion SDI delay time (processor 1) / SI Mtn SDI t P1		
	Access level: 3	Calculated: -	Data type: FloatingPoint32
	Can be changed: C(95)	Scaling: -	Dyn. index: -
	Units group: -	Unit selection: -	Func. diagram: 2824
	Min	Max	Factory setting
	0.00 [ms]	600000.00 [ms]	100.00 [ms]
Description:	Sets the delay time for the function "Safe motion direction" (SDI). After selecting the SDI function, then for a maximum of this time, motion in the monitored direction is permissible. This time can therefore be used for braking any motion.		
Dependency:	Refer to: p9564, p9566		
Note:	The set time is rounded internally to an integer multiple of the monitoring clock (p9500/p9300) cycle. SDI: Safe Direction (safe motion direction)		

p9566	SI Motion SDI stop response (processor 1) / SI Mtn SDI Stop P1		
	Access level: 3	Calculated: -	Data type: Integer16
	Can be changed: C(95)	Scaling: -	Dyn. index: -
	Units group: -	Unit selection: -	Func. diagram: 2824
	Min	Max	Factory setting
	0	1	1
Description:	Sets the stop response for the function "Safe motion direction" (SDI). This setting applies to both directions of motion.		
Value:	0: STOP A 1: STOP B		
Dependency:	Refer to: p9564, p9565		
Note:	SDI: Safe Direction (safe motion direction)		
p9568	SI Motion SAM velocity limit (processor 1) / SI Mtn SAM v_limP1		
	Access level: 3	Calculated: -	Data type: FloatingPoint32
	Can be changed: C(95)	Scaling: -	Dyn. index: -
	Units group: -	Unit selection: -	Func. diagram: -
	Min	Max	Factory setting
	0.00 [rpm]	1000.00 [rpm]	0.00 [rpm]
Description:	Sets the velocity tolerance limit for the "SAM" function. SAM is de-activated once the set velocity limit has been undershot.		
Note:	SAM: Safe Acceleration Monitor (safe acceleration monitoring) SSM: Safe Speed Monitor (safety-relevant feedback signal from the velocity monitoring) For p9568 = p9368 = 0, the following applies: The value in p9546/p9346 (SSM) is applied as the velocity limit for SAM.		
p9570	SI Motion acceptance test mode (processor 1) / SI Mtn acc_mod P1		
	Access level: 3	Calculated: -	Data type: Integer16
	Can be changed: U, T	Scaling: -	Dyn. index: -
	Units group: -	Unit selection: -	Func. diagram: -
	Min	Max	Factory setting
	0000 hex	00AC hex	0000 hex
Description:	Setting to select and de-select the acceptance test mode.		
Value:	0: [00 hex] De-select the acceptance test mode 172: [AC hex] Select the acceptance test mode		
Dependency:	Refer to: p9558, r9571, p9601		
Note:	Acceptance test mode can only be selected if the motion monitoring functions, which are integrated in the drives, are enabled (p9601.2/p9801.2).		
r9571	SI Motion acceptance test status (processor 1) / SI Mtn acc_status		
	Access level: 3	Calculated: -	Data type: Integer16
	Can be changed: -	Scaling: -	Dyn. index: -
	Units group: -	Unit selection: -	Func. diagram: -
	Min	Max	Factory setting
	0000 hex	00AC hex	-
Description:	Displays the status of the acceptance test mode.		
Value:	0: [00 hex] Acc_mode inactive 12: [0C hex] Acc_mode not possible due to POWER ON fault 13: [0D hex] Acc_mode not possible due to incorrect ID in p9570 15: [0F hex] Acc_mode not possible due to expired Acc_timer 172: [AC hex] Acc_mode active		
Dependency:	Refer to: p9558, p9570		

p9581	SI Motion brake ramp reference value (processor 1) / SI Mtn ramp ref P1		
	Access level: 3	Calculated: -	Data type: FloatingPoint32
	Can be changed: C(95)	Scaling: -	Dyn. index: -
	Units group: -	Unit selection: -	Func. diagram: -
	Min	Max	Factory setting
	600.0000 [rpm]	240000.0000 [rpm]	1500.0000 [rpm]
Description:	Sets the reference value to define the brake ramp. The rate of rise of the brake ramp depends upon p9581 (reference value) and p9583 (monitoring time).		
Dependency:	Refer to: p9582, p9583		
p9582	SI Motion brake ramp delay time (processor 1) / SI Mtn ramp t P1		
	Access level: 3	Calculated: -	Data type: FloatingPoint32
	Can be changed: C(95)	Scaling: -	Dyn. index: -
	Units group: -	Unit selection: -	Func. diagram: -
	Min	Max	Factory setting
	10.00 [ms]	99000.00 [ms]	250.00 [ms]
Description:	Sets the delay time for monitoring the brake ramp. Monitoring of the brake ramp starts once the delay time has elapsed.		
Dependency:	Refer to: p9581, p9583		
Note:	The set time is rounded internally to an integer multiple of the monitoring clock (p9500/p9300) cycle. Internally, the set time is limited downwards to 2 safety monitoring clock cycles (2 * 12 ms).		
p9583	SI Motion brake ramp monitoring time (processor 1) / SI Mtn rp t_mon P1		
	Access level: 3	Calculated: -	Data type: FloatingPoint32
	Can be changed: C(95)	Scaling: -	Dyn. index: -
	Units group: -	Unit selection: -	Func. diagram: -
	Min	Max	Factory setting
	0.50 [s]	3600.00 [s]	10.00 [s]
Description:	Sets the monitoring time to define the brake ramp. The rate of rise of the brake ramp depends upon p9581 (reference value) and p9583 (monitoring time).		
Dependency:	Refer to: p9581, p9582		
Note:	The set time is rounded internally to an integer multiple of the monitoring clock (p9500/p9300) cycle.		
p9585	SI Motion actual value sensing sensorless fault tolerance (CU) / ActVal sl tol CU		
	Access level: 3	Calculated: -	Data type: Integer32
	Can be changed: C(95)	Scaling: -	Dyn. index: -
	Units group: -	Unit selection: -	Func. diagram: -
	Min	Max	Factory setting
	-1	4	-1
Description:	Sets the tolerance of the plausibility monitoring of the current and voltage angle. A higher value results in a higher degree of ruggedness when reversing at low speeds, as well as in the field weakening range for load steps. An increase is advantageous, if the current or voltage at the motor become small.		
Dependency:	Refer to: r9787		
Notice:	Reducing this value can adversely affect the actual value sensing and the plausibility check. When the value is increased, this results in a longer evaluation delay and a higher velocity deviation (r9787).		
Note:	This parameter is only effective for encoderless actual value sensing (p9506/p9306 = 1, 3). For synchronous motors, the value 4 must be set. If value = -1: - for synchronous motors, the calculation is automatically made with the value 4. - for induction motors, the calculation is automatically made with a value of 0 (if the code number of the power unit p0201[0] < 14000, otherwise with a value of 2).		

p9586	SI Motion actual value sensing sensorless delay time (P1) / ActVal sl t_del P1		
	Access level: 3	Calculated: -	Data type: FloatingPoint32
	Can be changed: C(95)	Scaling: -	Dyn. index: -
	Units group: -	Unit selection: -	Func. diagram: -
	Min	Max	Factory setting
	5.00 [ms]	1000.00 [ms]	100.00 [ms]
Description:	Sets the delay time to evaluate the encoderless actual value sensing after the pulses have been enabled. The value must be greater than or equal to the motor magnetizing time (p0346).		
Caution:	The safety functionality is only completely guaranteed after this time has expired.		
			
Notice:	If this value is reduced, this can have a negative impact on the actual value acquisition and plausibility check – and result in Safety message C01711 with the message value 1041 or 1042.		
Note:	This parameter is only effective for encoderless actual value sensing (p9506/p9306 = 1, 3). The set time is rounded internally to an integer multiple of the monitoring clock (p9500/p9300) cycle.		

p9587	SI Motion actual value sensing sensorless filter time (P1) / Actv sl t_filt P1		
	Access level: 4	Calculated: -	Data type: FloatingPoint32
	Can be changed: C(95)	Scaling: -	Dyn. index: -
	Units group: -	Unit selection: -	Func. diagram: -
	Min	Max	Factory setting
	0.00 [ms]	100.00 [ms]	25.00 [ms]
Description:	Sets the filter time for smoothing the actual value with sensorless actual value sensing.		
Notice:	A longer filter time results in a longer response time.		

p9588	SI Motion actual value sensing sensorless minimum current (P1) / ActVal sl I_min P1		
	Access level: 3	Calculated: -	Data type: FloatingPoint32
	Can be changed: C(95)	Scaling: -	Dyn. index: -
	Units group: -	Unit selection: -	Func. diagram: -
	Min	Max	Factory setting
	0.00 [%]	1000.00 [%]	10.00 [%]
Description:	Sets the minimum current for encoderless actual value sensing referred to 1 A (i.e. 1 % = 10 mA). - The value must be increased if C01711 has occurred with message value 1042. - The value must be decreased if C01711 has occurred with message value 1041. For synchronous motors, the following condition must be fulfilled: $ p0305 \times p9783 \geq p9588 \times 1.2$		
Recommend.:	If required, the correct value of the motor minimum current should be determined by making the appropriate measurements.		
Dependency:	Refer to: r9785		
Notice:	If this percentage value is reduced excessively, then this can result in a safety message and an inaccurate actual value.		

p9589	SI Motion actual value sensing sensorless accel. limit (P1) / ActVal sl a_lim P1		
	Access level: 3	Calculated: -	Data type: FloatingPoint32
	Can be changed: C(95)	Scaling: -	Dyn. index: -
	Units group: -	Unit selection: -	Func. diagram: -
	Min	Max	Factory setting
	10.00 [%]	3300.00 [%]	100.00 [%]
Description:	Sets the acceleration limit to filter velocity fluctuations. If this percentage value is increased, when accelerating, velocity peaks that do not reflect the real velocity characteristic can occur. If this value is decreased, and this dampens the velocity peaks when accelerating. - The value must be increased if C01711 with message value 1043 has occurred. - The value must be lowered if acceleration procedures have led to an excessive Safety actual velocity.		

2 Parameters

2.2 List of parameters

Recommend.: The setting of this parameter depends on the motor and closed-loop control, and must be newly determined for each configuration.

To do this, a measurement should be performed while the actual value jumps, and the limit in r9785[0] must be set so low using p9589, so that it is exceeded by the value in r9785[1] a maximum of four times per second. The actual value correction filter intervenes at this instant in time. The step is no longer so drastic.

Dependency: Refer to: r9784

r9590[0...3] SI Motion version safety motion monitoring (processor 1) / SI Mtn version P1

Access level: 3	Calculated: -	Data type: Unsigned16
Can be changed: -	Scaling: -	Dyn. index: -
Units group: -	Unit selection: -	Func. diagram: -
Min	Max	Factory setting
-	-	-

Description: Displays the Safety Integrated version for the safe monitoring functions.

Index:
 [0] = Safety Version (major release)
 [1] = Safety Version (minor release)
 [2] = Safety Version (baselevel or patch)
 [3] = Safety Version (hotfix)

Dependency: Refer to: r9770

Note: Example:
 r9590[0] = 2, r9590[1] = 60, r9590[2] = 1, r9590[3] = 0 --> SI Motion version V02.60.01.00

p9601 SI enable functions integrated in the drive (processor 1) / SI enable fct P1

CU250S_V_DP	Access level: 3	Calculated: -	Data type: Unsigned32
CU250S_V_PN	Can be changed: C(95)	Scaling: -	Dyn. index: -
	Units group: -	Unit selection: -	Func. diagram: -
	Min	Max	Factory setting
	-	-	0000 bin

Description: Sets the enable signals for the safety functions integrated in the drive and the type of selection on processor 1.

Not all of the settings listed below will be permissible, depending on the Control Unit and Power Module being used:

0000 hex:

Safety functions integrated in the drive inhibited (no safety function).

0001 hex:

Basic functions are enabled via onboard terminals (permissible for r9771.0 = 1).

0004 hex:

Extended functions are enabled via onboard terminals (permissible for r9771.5 = 1).

0008 hex:

Basic functions are enabled via PROFIsafe (permissible for r9771.6 = 1).

0009 hex:

Basic functions are enabled via PROFIsafe onboard terminals (permissible for r9771.6 = 1).

000C hex:

Extended functions are enabled via PROFIsafe (permissible for r9771.4 = 1).

000D hex:

Extended functions are enabled via PROFIsafe and basic functions via onboard terminals (permissible for r9771.4 = 1).

Bit field:	Bit	Signal name	1 signal	0 signal	FP
	00	Enable STO via terminals (processor 1)	Enable	Inhibit	2810
	02	Enable drive_integr motion_monitoring functions (processor 1)	Enable	Inhibit	-
	03	Enable PROFIsafe (processor 1)	Enable	Inhibit	-

Dependency: Refer to: r9771, p9801

Note: A change only becomes effective after a POWER ON.
 STO: Safe Torque Off

p9601		SI enable functions integrated in the drive (processor 1) / SI enable fct P1		
CU250S_V	Access level: 3	Calculated: -	Data type: Unsigned32	
CU250S_V_CAN	Can be changed: C(95)	Scaling: -	Dyn. index: -	
	Units group: -	Unit selection: -	Func. diagram: -	
	Min	Max	Factory setting	
	-	-	0000 bin	
Description:	Sets the enable signals for the safety functions integrated in the drive and the type of selection on processor 1. Not all of the settings listed below will be permissible, depending on the Control Unit and Power Module being used: 0000 hex: Safety functions integrated in the drive inhibited (no safety function). 0001 hex: Basic functions are enabled via onboard terminals (permissible for r9771.0 = 1). 0004 hex: Extended functions are enabled via onboard terminals (permissible for r9771.5 = 1). 0008 hex: Basic functions are enabled via PROFIsafe (permissible for r9771.6 = 1). 0009 hex: Basic functions are enabled via PROFIsafe onboard terminals (permissible for r9771.6 = 1). 000C hex: Extended functions are enabled via PROFIsafe (permissible for r9771.4 = 1). 000D hex: Extended functions are enabled via PROFIsafe and basic functions via onboard terminals (permissible for r9771.4 = 1).			
Bit field:	Bit	Signal name	1 signal	0 signal
	00	Enable STO via terminals (processor 1)	Enable	Inhibit
	02	Enable drive_integr motion_monitoring functions (processor 1)	Enable	Inhibit
				FP
				2810
				-
Dependency:	Refer to: r9771, p9801			
Note:	A change only becomes effective after a POWER ON. STO: Safe Torque Off			

p9602		SI enable Safe Brake Control (processor 1) / SI enable SBC P1		
	Access level: 3	Calculated: -	Data type: Integer16	
	Can be changed: C(95)	Scaling: -	Dyn. index: -	
	Units group: -	Unit selection: -	Func. diagram: 2814	
	Min	Max	Factory setting	
	0	1	0	
Description:	Sets the enable signal for the "Safe Brake Control" (SBC) function on processor 1.			
Value:	0: Inhibit SBC 1: Enable SBC			
Dependency:	Refer to: p9802			
Note:	The "Safe Brake Control" function is not activated until at least one safety monitoring function has been enabled (i.e. p9501 not equal to 0 and/or p9601 not equal to 0). It does not make sense to parameterize "no motor holding brake available" and enable "Safe Brake Control" (p1215 = 0, p9602 = p9802 = 1) if there is no motor holding brake. It does not make sense to parameterize "motor holding brake the same as sequence control, connection via BICO" and enable "Safe Brake Control" (p1215 = 3, p9602 = p9802 = 1). It is not permissible to parameterize "motor holding brake without feedback signals" and enable "Safe Brake Control" (p1278 = 1, p9602 = p9802 = 1). SBC: Safe Brake Control			

p9610	SI PROFIsafe address (processor 1) / SI PROFIsafe P1		
CU250S_V_DP	Access level: 3	Calculated: -	Data type: Unsigned16
CU250S_V_PN	Can be changed: C(95)	Scaling: -	Dyn. index: -
	Units group: -	Unit selection: -	Func. diagram: -
	Min	Max	Factory setting
	0000 hex	FFFE hex	0000 hex
Description:	Sets the PROFIsafe address for processor 1.		
Dependency:	Refer to: p9810		
p9650	SI F-DI changeover discrepancy time (processor 1) / SI F-DI chg t P1		
	Access level: 3	Calculated: -	Data type: FloatingPoint32
	Can be changed: C(95)	Scaling: -	Dyn. index: -
	Units group: -	Unit selection: -	Func. diagram: 2810
	Min	Max	Factory setting
	0.00 [ms]	2000.00 [ms]	500.00 [ms]
Description:	Sets the discrepancy time for the changeover of the failsafe digital input for STO on processor 1. An F-DI changeover is not effective simultaneously due to the different runtimes in the two monitoring channels. After an F-DI changeover, dynamic data is not subject to a crosswise data comparison during this discrepancy time.		
Dependency:	Refer to: p9850		
Note:	For a crosswise data comparison between p9650 and p9850, a difference of one Safety monitoring clock cycle is tolerated. The parameterized time is rounded internally to an integer multiple of the monitoring clock cycle. F-DI: Failsafe Digital Input		
p9651	SI STO/SBC/SS1 debounce time (processor 1) / SI STO t_debou P1		
	Access level: 3	Calculated: -	Data type: FloatingPoint32
	Can be changed: C(95)	Scaling: -	Dyn. index: -
	Units group: -	Unit selection: -	Func. diagram: -
	Min	Max	Factory setting
	0.00 [ms]	100.00 [ms]	1.00 [ms]
Description:	Sets the debounce time for the fail-safe digital input used to control STO/SBC/SS1. The debounce time is rounded to whole milliseconds.		
Note:	The debounce time is rounded to whole milliseconds. It specifies the maximum duration of a fault pulse at the fail-safe digital inputs with no reaction/influence on the selection or deselection of the Safety Basic Functions. Example: Debounce time = 1 ms: Fault pulses of 1 ms are filtered; only pulses longer than 2 ms are processed. Debounce time = 3 ms: Fault pulses of 3 ms are filtered; only pulses longer than 4 ms are processed.		
p9652	SI Safe Stop 1 delay time (processor 1) / SI Stop 1 t_del P1		
	Access level: 3	Calculated: -	Data type: FloatingPoint32
	Can be changed: C(95)	Scaling: -	Dyn. index: -
	Units group: -	Unit selection: -	Func. diagram: -
	Min	Max	Factory setting
	0.00 [s]	300.00 [s]	0.00 [s]
Description:	Sets the delay time of the pulse suppression for the "Safe Stop 1" (SS1) function on processor 1 to brake along the OFF3 down ramp (p1135).		
Recommend.:	In order that the drive can completely ramp-down along the OFF3 ramp and a motor holding brake that is possibly available can close, then the delay time should be set as follows: Motor holding brake parameterized: delay time \geq p1135 + p1228 + p1217 Motor holding brake not parameterized: delay time \geq p1135 + p1228		
Dependency:	Refer to: p1135, p9852		

Note: For a crosswise data comparison between p9652 and p9852, a difference of one Safety monitoring clock cycle is tolerated.
The set time is rounded internally to an integer multiple of the monitoring clock (r9780/r9880) cycle.
SS1: Safe Stop 1 (corresponds to Stop Category 1 acc. to EN60204)

p9659	SI forced checking procedure timer / SI FCP Timer		
	Access level: 3	Calculated: -	Data type: FloatingPoint32
	Can be changed: C(95)	Scaling: -	Dyn. index: -
	Units group: -	Unit selection: -	Func. diagram: 2810
	Min	Max	Factory setting
	0.00 [h]	9000.00 [h]	8.00 [h]

Description: Sets the time interval for carrying out the forced checking procedure and testing the Safety shutdown paths. Within the parameterized time, STO must have been de-selected at least once. The monitoring time is reset each time that STO is de-selected.

Note: STO: Safe Torque Off

r9660	SI forced checking procedure remaining time / SI frc chk remain		
	Access level: 3	Calculated: -	Data type: FloatingPoint32
	Can be changed: -	Scaling: -	Dyn. index: -
	Units group: -	Unit selection: -	Func. diagram: -
	Min	Max	Factory setting
	- [h]	- [h]	- [h]

Description: Displays the time remaining before dynamization and testing of the safety shutdown paths (forced checking procedure).

r9670	SI module identification Control Unit / Module ID CU		
	Access level: 3	Calculated: -	Data type: Unsigned32
	Can be changed: -	Scaling: -	Dyn. index: -
	Units group: -	Unit selection: -	Func. diagram: -
	Min	Max	Factory setting
	0	4294967295	-

Description: CRC via Node Identifier of the Control Unit.

Note: CU: Control Unit

r9672	SI module identifier Power Module / Module ID PM		
	Access level: 3	Calculated: -	Data type: Unsigned32
	Can be changed: -	Scaling: -	Dyn. index: -
	Units group: -	Unit selection: -	Func. diagram: -
	Min	Max	Factory setting
	0	4294967295	-

Description: CRC via the Node Identifier of a Power Module.

Note: PM: Power Module

p9700	SI copy function / SI copy function		
	Access level: 3	Calculated: -	Data type: Integer16
	Can be changed: C(95), U, T	Scaling: -	Dyn. index: -
	Units group: -	Unit selection: -	Func. diagram: -
	Min	Max	Factory setting
	0000 hex	00D0 hex	0000 hex

Description: Setting to start the required copy function.
After starting, the corresponding parameters are copied from processor 1 to processor 2.
Once copying is complete, the parameter is automatically reset to zero.

Value:
0: [00 hex] Copy function ended
29: [1D hex] Start copy function node identifier

2 Parameters

2.2 List of parameters

87: [57 hex] Start copy function SI parameters
208: [D0 hex] Start copy function SI basic parameters

Dependency: Refer to: r3996

Notice: When the parameters are copied, short-term communication interruptions may occur.

Note: Re value = 57 hex and D0 hex:

The value can only be set if the safety commissioning mode is set and the Safety Integrated password was entered.

Re value = D0 hex:

The following parameters are copied after starting the copy function:

p9601 --> p9801, p9610 --> 9810, p9650 --> p9850, p9651 --> p9851

p9701

Acknowledge SI data change / Ackn SI data

Access level: 3	Calculated: -	Data type: Integer16
Can be changed: C(95), U, T	Scaling: -	Dyn. index: -
Units group: -	Unit selection: -	Func. diagram: -
Min	Max	Factory setting
0000 hex	00EC hex	0000 hex

Description: Setting to transfer the reference checksums from the associated actual checksums after changes (SI parameters, hardware).

After transferring the reference checksums, parameters are automatically reset to zero.

Value:
0: [00 hex] Data unchanged
172: [AC hex] Acknowledge data change complete
220: [DC hex] Acknowledge SI basic parameter change
236: [EC hex] Acknowledge hardware CRC

Dependency: Refer to: r9398, p9399, r9728, p9729, r9798, p9799, r9898, p9899

Note: Re value = AC and DC hex:

These values can only be set if the safety commissioning mode is set and the Safety Integrated password was entered.

p9705

BI: SI Motion: Test stop signal source / SI Mtn test stop

Access level: 3	Calculated: -	Data type: U32 / Binary
Can be changed: C(95)	Scaling: -	Dyn. index: -
Units group: -	Unit selection: -	Func. diagram: 2837
Min	Max	Factory setting
-	-	0

Description: Sets the signal source for the test stop of the safety-relevant motion monitoring functions.

r9708[0...5]

SI Motion diagnostics safe position / SI mtn safe pos

Access level: 3	Calculated: -	Data type: FloatingPoint32
Can be changed: -	Scaling: -	Dyn. index: -
Units group: -	Unit selection: -	Func. diagram: 2822, 2836
Min	Max	Factory setting
- [°]	- [°]	- [°]

Description: Displays the actual load-side actual values of both monitoring channels and their difference.

Index:
[0] = Load-side actual value on the CU
[1] = Load-side actual value on the second channel
[2] = Load-side actual value difference CU - second channel
[3] = Load-side max. actual value difference CU - second channel
[4] = Load-side actual value as safe position via PROFIsafe
[5] = Load-side additional actual value difference CU - second channel

Dependency: Refer to: r9713

Note: Re index 0:

The display of the load-side position actual value on processor 1 is updated in the monitoring clock cycle.

Re index 1:

The display of the load-side position actual value on processor 2 is updated in the CDC clock cycle (r9724) and delayed by one CDC clock cycle.

Re index 2:

The difference between the load-side position actual value on processor 1 and load-side position actual value on processor 2 is updated in the CDC clock cycle (r9724) and delayed by one CDC clock cycle.

Re index 3:

The maximum difference between the load-side position actual value on processor 1 and the load-side position actual value on processor 2.

Re index 4:

The content corresponds to the value in index 0.

CDC: Crosswise Data Comparison

r9710[0...1]**SI Motion diagnostics result list 1 / SI Mtn res_list 1**

Access level: 3	Calculated: -	Data type: Unsigned32
Can be changed: -	Scaling: -	Dyn. index: -
Units group: -	Unit selection: -	Func. diagram: -
Min	Max	Factory setting
-	-	-

Description: Displays result list 1 that, for the crosswise data comparison between the monitoring channels, led to the fault.

Index: [0] = Result list processor 2
[1] = Result list processor 1

Bit field:	Bit	Signal name	1 signal	0 signal	FP
	06	Actual value > upper limit SLS1	Yes	No	-
	07	Actual value > lower limit SLS1	Yes	No	-
	08	Actual value > upper limit SLS2	Yes	No	-
	09	Actual value > lower limit SLS2	Yes	No	-
	10	Actual value > upper limit SLS3	Yes	No	-
	11	Actual value > lower limit SLS3	Yes	No	-
	12	Actual value > upper limit SLS4	Yes	No	-
	13	Actual value > lower limit SLS4	Yes	No	-
	16	Actual value > upper limit SAM/SBR	Yes	No	-
	17	Actual value > lower limit SAM/SBR	Yes	No	-
	18	Actual value > upper limit SDI positive	Yes	No	-
	19	Actual value > lower limit SDI positive	Yes	No	-
	20	Actual value > upper limit SDI negative	Yes	No	-
	21	Actual value > lower limit SDI negative	Yes	No	-

Note: SAM: Safe Acceleration Monitor (safe acceleration monitoring)
SBR: Safe Brake Ramp (safe brake ramp monitoring)
SLS: Safely-Limited Speed

r9712**CO: SI Motion diagnostics pos. act. val. motor side (processor 1) / SI Mtn s_act motP1**

Access level: 3	Calculated: -	Data type: Unsigned32
Can be changed: -	Scaling: -	Dyn. index: -
Units group: -	Unit selection: -	Func. diagram: -
Min	Max	Factory setting
-	-	-

Description: Displays the actual motor-side position actual value for the motion monitoring functions on processor 1.

Note: The display is updated in the safety monitoring clock cycle.

r9713[0...5]**CO: SI Motion diagnostics position actual value load side / SI Mtn s_act load**

Access level: 3	Calculated: -	Data type: Integer32
Can be changed: -	Scaling: -	Dyn. index: -
Units group: -	Unit selection: -	Func. diagram: -
Min	Max	Factory setting
-	-	-

Description: Displays the actual load-side actual values of both monitoring channels and their difference.

Index: [0] = Load-side actual value on processor 1 (P1)
[1] = Load-side actual value on processor 2 (P2)
[2] = Load-side actual value difference P1 - P2

2 Parameters

2.2 List of parameters

[3] = Load-side maximum actual value difference P1 - P2
 [4] = Load-side actual value as safe position via PROFIsafe
 [5] = Load-side additional actual value difference CU - second channel

Dependency:

Refer to: r9708, r9724

Note:

The value of this parameter is displayed in r9708 with units (mm or degrees).

The display is updated in the safety monitoring clock cycle.

Re index 0:

The display of the load-side position actual value on processor 1 is updated in the monitoring clock cycle.

Re index 1:

The display of the load-side position actual value on processor 2 is updated in the CDC clock cycle (r9724) and delayed by one CDC clock cycle.

Re index 2:

The difference between the load-side position actual value on processor 1 and load-side position actual value on processor 2 is updated in the CDC clock cycle (r9724) and delayed by one CDC clock cycle.

Re index 3:

The maximum difference between the load-side position actual value on processor 1 and the load-side position actual value on processor 2.

Re index 4:

The content corresponds to the value in index 0.

CDC: Crosswise Data Comparison

r9714[0...2]

CO: SI Motion diagnostics velocity (processor 1) / SI Mtn diag v P1

Access level: 3	Calculated: -	Data type: FloatingPoint32
Can be changed: -	Scaling: -	Dyn. index: -
Units group: -	Unit selection: -	Func. diagram: -
Min	Max	Factory setting
- [rpm]	- [rpm]	- [rpm]

Description:

Displays the actual velocity values for the motion monitoring functions on processor 1.

Index:

[0] = Load-side velocity actual value on processor 1
 [1] = Actual SAM/SBR velocity limit on processor 1
 [2] = Actual SLS velocity limit on the processor 1

Dependency:

Refer to: r9732

Notice:

Re index 2:

This SLS velocity limit can, as a result of conversion into the internal monitoring format, deviate from the specified SLS velocity limit (see r9732).

Note:

The display is updated in the safety monitoring clock cycle.

r9720.0...13

CO/BO: SI Motion control signals integrated in the drive / SI Mtn integ STW

Access level: 3	Calculated: -	Data type: Unsigned32
Can be changed: -	Scaling: -	Dyn. index: -
Units group: -	Unit selection: -	Func. diagram: 2840, 2855
Min	Max	Factory setting
-	-	-

Description:

Control signals for safety-relevant motion monitoring functions integrated in the drive.

Bit field:

Bit	Signal name	1 signal	0 signal	FP
00	De-select STO	Yes	No	-
01	De-select SS1	Yes	No	-
04	De-select SLS	Yes	No	-
07	Acknowledgement	Signal edge active	No	-
09	Select SLS bit 0	Set	Not set	-
10	Select SLS bit 1	Set	Not set	-
12	Deselect SDI positive	Yes	No	2824
13	Deselect SDI negative	Yes	No	2824

Note:

This parameter is only supplied with actual values if SI Motion functions are active. For Safety Integrated Basic Functions (STO), the value is equal to zero.

r9722.0...15 CO/BO: SI Motion drive-integrated status signals (processor 1) / SI Mtn int stat P1

Access level: 3	Calculated: -	Data type: Unsigned32
Can be changed: -	Scaling: -	Dyn. index: -
Units group: -	Unit selection: -	Func. diagram: 2840, 2855
Min	Max	Factory setting
-	-	-

Description: Status signal for safety-relevant motion monitoring functions integrated in the drive on monitoring channel 1.

Bit field:	Bit	Signal name	1 signal	0 signal	FP
	00	STO or safe pulse cancellation active	Yes	No	-
	01	SS1 active	Yes	No	-
	04	SLS active	Yes	No	-
	07	Internal event	No	Yes	-
	09	Active SLS stage bit 0	Set	Not set	-
	10	Active SLS stage bit 1	Set	Not set	-
	12	SDI pos active	Yes	No	2824
	13	SDI neg active	Yes	No	2824
	15	SSM (speed below limit value)	Yes	No	2823

Notice: Re bit 07:

An internal event is displayed if a STOP A ... F is active.

The signal state behaves in an opposite way to the PROFIsafe Standard.

Note: This parameter is only supplied with actual values if SI Motion functions are active. For Safety Integrated Basic Functions (STO), the value is equal to zero.

r9723.0...16 CO/BO: SI Motion diagnostic signals integrated in the drive / SI Mtn integ diag

Access level: 3	Calculated: -	Data type: Unsigned32
Can be changed: -	Scaling: -	Dyn. index: -
Units group: -	Unit selection: -	Func. diagram: -
Min	Max	Factory setting
-	-	-

Description: Displays the diagnostic signals for safety-relevant motion monitoring functions integrated in the drive.

Bit field:	Bit	Signal name	1 signal	0 signal	FP
	00	Forced checking procedure required	Yes	No	-
	01	STOP F and then STOP B active	Yes	No	2819
	02	Communication failure	Yes	No	-
	03	Actual value sensing supplies valid value	Yes	No	2821
	04	Encoderless act val sensing acc to technique for U/f control	Yes	No	-
	09	Safe pulse cancellation active	Yes	No	-
	12	Test stop active	Yes	No	-
	16	SAM/SBR active	Yes	No	2820

Note: Re bit 01:

This bit can be used to execute a control-based ESR.

ESR: Extended Stop and Retract

SAM: Safe Acceleration Monitor (safe acceleration monitoring)

SBR: Safe Brake Ramp (safe brake ramp monitoring)

r9724 SI Motion crosswise comparison clock cycle / SI Mtn CDC clk cyc

Access level: 3	Calculated: -	Data type: FloatingPoint32
Can be changed: -	Scaling: -	Dyn. index: -
Units group: -	Unit selection: -	Func. diagram: -
Min	Max	Factory setting
- [ms]	- [ms]	- [ms]

Description: Displays the crosswise comparison clock cycle.

The value indicates the clock cycle time with which each individual CDC value is compared between the two monitoring channels.

Note: CDC: Crosswise Data Comparison

r9725[0...2]	SI Motion diagnostics STOP F / SI Mtn Diag STOP F		
	Access level: 3	Calculated: -	Data type: Unsigned32
	Can be changed: -	Scaling: -	Dyn. index: -
	Units group: -	Unit selection: -	Func. diagram: -
	Min	Max	Factory setting
	-	-	-
Description:	Re index 0: Displays the message value that resulted in the STOP F on the drive. Value = 0: Processor 1 signaled a STOP F. Value = 1 ... 999: Number of the incorrect date in the crosswise data comparison between the monitoring channels. Value >= 1000: Additional diagnostic values of the drive. Re index 1: Displays the value from processor 1 that resulted in the STOP F. Re index 2: Displays the value from processor 2 that resulted in the STOP F.		
Index:	[0] = Message value for CDC [1] = Processor 1 CDC actual value [2] = Processor 2 CDC actual value		
Note:	The significance of the individual message values is described in message C01711. CDC: Crosswise Data Comparison Re Index 1, 2: When Safety message C01711 with message value >= 1000 occurs, these indices are not supplied with values.		
r9728[0...2]	SI Motion actual checksum SI parameters (processor 1) / SI Mtn act CRC P1		
	Access level: 3	Calculated: -	Data type: Unsigned32
	Can be changed: -	Scaling: -	Dyn. index: -
	Units group: -	Unit selection: -	Func. diagram: -
	Min	Max	Factory setting
	-	-	-
Description:	Displays the checksum over the checked Safety Integrated parameters of the motion monitoring functions (actual checksum).		
Index:	[0] = Checksum over SI parameters for motion monitoring [1] = Checksum over SI parameters for actual values [2] = Checksum over SI parameters for hardware		
Dependency:	Refer to: p9729		
p9729[0...2]	SI Motion setpoint checksum SI parameters (processor 1) / SI Mtn setp CRC P1		
	Access level: 3	Calculated: -	Data type: Unsigned32
	Can be changed: C(95)	Scaling: -	Dyn. index: -
	Units group: -	Unit selection: -	Func. diagram: -
	Min	Max	Factory setting
	0000 hex	FFFF FFFF hex	0000 hex
Description:	Sets the checksum using the checksum-tested Safety Integrated parameters for motion monitoring functions (reference checksum).		
Index:	[0] = Checksum over SI parameters for motion monitoring [1] = Checksum over SI parameters for actual values [2] = Checksum over SI parameters for hardware		
Dependency:	Refer to: r9728		

r9732[0...1]	SI Motion velocity resolution / SI Mtn v_res		
	Access level: 3	Calculated: -	Data type: FloatingPoint32
	Can be changed: -	Scaling: -	Dyn. index: -
	Units group: -	Unit selection: -	Func. diagram: -
	Min	Max	Factory setting
	- [rpm]	- [rpm]	- [rpm]
Description:	Displays the velocity resolution for safety-relevant motion monitoring functions. Re index 0: Displays the safe velocity resolution (load side). Setpoints for velocity limits or parameter changes for velocities below this threshold have no effect. Re index 1: Displays the safe velocity accuracy based on the safe encoder accuracy		
Index:	[0] = Actual velocity resolution [1] = Minimum velocity resolution		
Note:	Index 0: This parameter does not provide any information about the actual accuracy of the velocity sensing. This depends on the type of actual value sensing, the gear factors as well as the quality of the encoder being used. Index 1: For a two-encoder system, with just non-safety capable encoders, this means the poorer value of the two encoders. Index[1] takes into account the coarse resolution of the encoder only		
r9733[0...2]	CO: SI Motion setpoint speed limit effective / SI Mtn setp_lim		
	Access level: 3	Calculated: -	Data type: FloatingPoint32
	Can be changed: -	Scaling: p2000	Dyn. index: -
	Units group: 3_1	Unit selection: p0505	Func. diagram: 2820, 2824, 3630
	Min	Max	Factory setting
	- [rpm]	- [rpm]	- [rpm]
Description:	Displays the necessary setpoint speed limit as a result of the selected motion monitoring functions. Contrary to the parameterization of the SI limit values, this parameter specifies the motor-side limit value and not the load-side limit value.		
Recommend.:	For the ramp-function generator, by appropriately interconnecting the speed limits p1051 and p1052 with r9733[0, 1], a drive-based setpoint velocity limiting can be realized. - CI: p1051 = r9733[0] - CI: p1052 = r9733[1] Additional limiting can also be activated using connector input p1085 and p1088.		
Index:	[0] = Setpoint limiting positive [1] = Setpoint limiting negative [2] = Setpoint limit absolute		
Dependency:	For SLS: r9733[0] = p9531[x] x p9533 (converted from the load side to the motor side) For SDI negative: r9733[0] = 0 For SLS: r9733[1] = - p9531[x] x p9533 (converted from the load side to the motor side) For SDI positive: r9733[1] = 0 [x] = Selected SLS stage Conversion factor from the motor side to the load side: - motor type = rotary and axis type = linear: p9522 / (p9521 x p9520) - otherwise: p9522 / p9521 Refer to: p9531, p9533		
Notice:	If p1051 = r9733[0] is interconnected, p1052 = r9733[1] must also be interconnected and vice versa. If only the absolute value of the setpoint velocity limiting is required, r9733[2] must be interconnected.		
Note:	If the "SLS" function is not selected, r9733[0] shows p1082 and r9733[1] shows -p1082. The display in r9733 can be delayed by up to one Safety monitoring clock cycle as compared to the display in r9720 and r9722.		

r9734.0...14 **CO/BO: SI Safety Info Channel status word S_ZSW1B / SIC S_ZSW1B**

CU250S_V_DP **Access level:** 3 **Calculated:** - **Data type:** Unsigned16
 CU250S_V_PN **Can be changed:** - **Scaling:** - **Dyn. index:** -
 Units group: - **Unit selection:** - **Func. diagram:** -
 Min **Max** **Factory setting**
 - - -

Description: Display and BICO output for status word S_ZSW1B of the safety information channel.

Bit field:	Bit	Signal name	1 signal	0 signal	FP
	00	STO active	Yes	No	-
	01	SS1 active	Yes	No	-
	04	SLS active	Yes	No	-
	06	SLS selected	Yes	No	-
	07	Internal event	Yes	No	-
	09	Select SLS bit0	Yes	No	-
	10	Select SLS bit1	Yes	No	-
	12	SDI positive selected	Yes	No	-
	13	SDI neg selected	Yes	No	-
	14	ESR retract requested	Yes	No	-

Note: SIC: Safety Info Channel
 Re bit 07:
 An internal event is displayed if a STOP A ... F is active.

r9742.0...15 **CO/BO: SI Motion drive-integrated status signals (processor 2) / SI Mtn int stat P2**

Access level: 4 **Calculated:** - **Data type:** Unsigned32
 Can be changed: - **Scaling:** - **Dyn. index:** -
 Units group: - **Unit selection:** - **Func. diagram:** 2840, 2855
 Min **Max** **Factory setting**
 - - -

Description: Status signal for safety-relevant motion monitoring functions integrated in the drive.

Bit field:	Bit	Signal name	1 signal	0 signal	FP
	00	STO or safe pulse cancellation active	Yes	No	-
	01	SS1 active	Yes	No	-
	04	SLS active	Yes	No	-
	07	Internal event	No	Yes	-
	09	Active SLS stage bit 0	Set	Not set	-
	10	Active SLS stage bit 1	Set	Not set	-
	12	SDI pos active	Yes	No	2824
	13	SDI neg active	Yes	No	2824
	15	SSM (speed below limit value)	Yes	No	2823

Notice: Re bit 07:
 An internal event is displayed if a STOP A ... F is active.
 The signal state behaves in an opposite way to the PROFIsafe Standard.

Note: This parameter is only supplied with actual values if SI Motion functions are active. For Safety Integrated Basic Functions (STO), the value is equal to zero.

r9745[0...63] **SI components / SI comp**

Access level: 3 **Calculated:** - **Data type:** Integer16
 Can be changed: - **Scaling:** - **Dyn. index:** -
 Units group: - **Unit selection:** - **Func. diagram:** -
 Min **Max** **Factory setting**
 0 9 -

Description: Displays the component of the safety message that has occurred.

Value: 0: No assignment
 1: Control Unit
 2: Power Module
 3: Motor

- 4: Encoder evaluation (terminal)
- 5: Encoder at terminal
- 6: Encoder evaluation (SUB-D)
- 7: Encoder at SUB-D
- 8: Sensor Module (DRIVE-CLiQ)
- 9: Encoder at Sensor Module

p9761	SI password input / SI password inp		
	Access level: 3	Calculated: -	Data type: Unsigned32
	Can be changed: C, T	Scaling: -	Dyn. index: -
	Units group: -	Unit selection: -	Func. diagram: 2800
	Min	Max	Factory setting
	0000 hex	FFFF FFFF hex	0000 hex
Description:	Enters the Safety Integrated password.		
Note:	It is not possible to change Safety Integrated parameters until the Safety Integrated password has been entered.		

p9762	SI password new / SI password new		
	Access level: 3	Calculated: -	Data type: Unsigned32
	Can be changed: C(95)	Scaling: -	Dyn. index: -
	Units group: -	Unit selection: -	Func. diagram: 2800
	Min	Max	Factory setting
	0000 hex	FFFF FFFF hex	0000 hex
Description:	Enters a new Safety Integrated password.		
Dependency:	A change made to the Safety Integrated password must be acknowledged in the following parameter: Refer to: p9763		

p9763	SI password acknowledgement / SI ackn password		
	Access level: 3	Calculated: -	Data type: Unsigned32
	Can be changed: C(95)	Scaling: -	Dyn. index: -
	Units group: -	Unit selection: -	Func. diagram: 2800
	Min	Max	Factory setting
	0000 hex	FFFF FFFF hex	0000 hex
Description:	Acknowledges the new Safety Integrated password.		
Dependency:	Refer to: p9762		
Note:	The new password entered into p9762 must be re-entered in order to acknowledge. p9762 = p9763 = 0 is automatically set after the new Safety Integrated password has been successfully acknowledged.		

r9765	SI Motion forced checking procedure remaining time (processor 1) / SI Mtn dyn rem P1		
	Access level: 3	Calculated: -	Data type: FloatingPoint32
	Can be changed: -	Scaling: -	Dyn. index: -
	Units group: -	Unit selection: -	Func. diagram: -
	Min	Max	Factory setting
	- [h]	- [h]	- [h]
Description:	Displays the time remaining until the next dynamization and testing of the safety motion monitoring functions integrated in the drives. The signal source to initiate the forced checking procedure is parameterized in p9705.		
Dependency:	Refer to: p9705		

r9768[0...7]	SI PROFIsafe receive control words (processor 1) / SI Ps PZD recv P1		
CU250S_V_DP	Access level: 3	Calculated: -	Data type: Unsigned16
CU250S_V_PN	Can be changed: -	Scaling: -	Dyn. index: -
	Units group: -	Unit selection: -	Func. diagram: -
	Min	Max	Factory setting
	-	-	-
Description:	Displays the received PROFIsafe telegram on processor 1.		
Index:	[0] = PZD 1 [1] = PZD 2 [2] = PZD 3 [3] = PZD 4 [4] = PZD 5 [5] = PZD 6 [6] = PZD 7 [7] = PZD 8		
Dependency:	Refer to: r9769		
Note:	The PROFIsafe trailer at the end of the telegram is also displayed (2 words).		
r9769[0...7]	SI PROFIsafe send status words (processor 1) / SI Ps PZD send P1		
CU250S_V_DP	Access level: 3	Calculated: -	Data type: Unsigned16
CU250S_V_PN	Can be changed: -	Scaling: -	Dyn. index: -
	Units group: -	Unit selection: -	Func. diagram: -
	Min	Max	Factory setting
	-	-	-
Description:	Displays the PROFIsafe telegram to be sent on processor 1.		
Index:	[0] = PZD 1 [1] = PZD 2 [2] = PZD 3 [3] = PZD 4 [4] = PZD 5 [5] = PZD 6 [6] = PZD 7 [7] = PZD 8		
Dependency:	Refer to: r9768		
Note:	The PROFIsafe trailer at the end of the telegram is also displayed (2 words).		
r9770[0...3]	SI version drive-integrated safety function (processor 1) / SI version Drv P1		
	Access level: 3	Calculated: -	Data type: Unsigned16
	Can be changed: -	Scaling: -	Dyn. index: -
	Units group: -	Unit selection: -	Func. diagram: 2802
	Min	Max	Factory setting
	-	-	-
Description:	Displays the Safety Integrated version for the drive-integrated safety functions on processor 1.		
Index:	[0] = Safety Version (major release) [1] = Safety Version (minor release) [2] = Safety Version (baselevel or patch) [3] = Safety Version (hotfix)		
Note:	Example: r9770[0] = 2, r9770[1] = 60, r9770[2] = 1, r9770[3] = 0 --> Safety version V02.60.01.00		

r9771		SI common functions (processor 1) / SI general fct P1		
Access level:	3	Calculated:	-	Data type: Unsigned32
Can be changed:	-	Scaling:	-	Dyn. index: -
Units group:	-	Unit selection:	-	Func. diagram: 2804
Min	-	Max	-	Factory setting
Description:	Displays the Safety Integrated monitoring functions supported on the Control Unit and Motor Module. Processor 1 determines this display.			
Bit field:	Bit	Signal name	1 signal	0 signal
	00	STO supported via terminals	Yes	No
	01	SBC supported	Yes	No
	02	Extended Functions supported (p9501 > 0)	Yes	No
	03	SS1 supported	Yes	No
	04	Extended Functions PROFIsafe supported	Yes	No
	05	Extended Functions integrated in drive supported (p9601.2 = 1)	Yes	No
	06	Basic Functions PROFIsafe supported	Yes	No
	07	Extended Functions encoderless supported	Yes	No
	11	Extended Functions SDI supported	Yes	No
	12	Extended Functions SSM encoderless supported	Yes	No
Dependency:	Refer to: r9871			
Note:	CU: Control Unit SBC: Safe Brake Control SDI: Safe Direction (safe motion direction) SLP: Safely-Limited Position SI: Safety Integrated SP: Safe Position SS1: Safe Stop 1 STO: Safe Torque Off / SH: Safe standstill SSM: Safe Speed Monitor (safety-relevant feedback signal from the velocity monitoring) / SGA n < nx: Safety-related output n < nx			

r9772.0...23		CO/BO: SI status (processor 1) / SI status P1		
Access level:	2	Calculated:	-	Data type: Unsigned32
Can be changed:	-	Scaling:	-	Dyn. index: -
Units group:	-	Unit selection:	-	Func. diagram: 2804
Min	-	Max	-	Factory setting
Description:	Displays the Safety Integrated status on processor 1.			
Bit field:	Bit	Signal name	1 signal	0 signal
	00	STO selected on processor 1	Yes	No
	01	STO active on processor 1	Yes	No
	02	SS1 delay time active on processor 1	Yes	No
	04	SBC requested	Yes	No
	05	SS1 selected on processor 1 (Basic Functions)	Yes	No
	06	SS1 active on processor 1 (Basic Functions)	Yes	No
	07	STO terminal state on processor 1 (Basic Functions)	High	Low
	09	STOP A cannot be acknowledged active	Yes	No
	10	STOP A active	Yes	No
	15	STOP F active	Yes	No
	16	STO cause: Safety comm. mode	Yes	No
	17	STO cause selection via terminal (Basic Functions)	Yes	No

2 Parameters

2.2 List of parameters

18	STO cause selection via Safe Motion Monitoring (SMM)	Yes	No	-
19	STO cause actual value missing	Yes	No	-
20	STO cause selection PROFIsafe or TM54F (Basic Functions)	Yes	No	-
21	STO cause selection on the other monitoring channel	Yes	No	-
22	SS1 cause selection terminal (Basic Functions)	Yes	No	-
23	SS1 cause selection PROFIsafe or TM54F (Basic Functions)	Yes	No	-

Dependency:

Refer to: r9872

Note:

Re bit 00:

When STO is selected, the cause is displayed in bits 16 ... 21.

Re bit 05:

When SS1 is selected, the cause is displayed in bits 22 and 23.

Re bit 18:

When the bit is set, STO is selected via PROFIsafe or via F-DI.

Re bit 19:

With SMM encoderless no actual value sensing is possible on account of OFF2.

SMM: Safe Motion Monitoring

Re bit 22, 23:

These bits show via which path the SS1 was triggered, i.e. what has started the SS1 delay time.

If the SS1 delay time is not started (e.g. because an STO is triggered at the same time), neither of the two bits is set.

r9772.0...22

CO/BO: SI status (processor 1) / SI status P1

CU250S_V

Access level: 2

Calculated: -

Data type: Unsigned32

CU250S_V_CAN

Can be changed: -

Scaling: -

Dyn. index: -

Units group: -

Unit selection: -

Func. diagram: 2804

Min

Max

Factory setting

-

-

-

Description:

Displays the Safety Integrated status on processor 1.

Bit field:

Bit	Signal name	1 signal	0 signal	FP
00	STO selected on processor 1	Yes	No	2810
01	STO active on processor 1	Yes	No	2810
02	SS1 delay time active on processor 1	Yes	No	2810
04	SBC requested	Yes	No	2814
05	SS1 selected on processor 1 (Basic Functions)	Yes	No	-
06	SS1 active on processor 1 (Basic Functions)	Yes	No	-
07	STO terminal state on processor 1 (Basic Functions)	High	Low	-
09	STOP A cannot be acknowledged active	Yes	No	2802
10	STOP A active	Yes	No	2802
15	STOP F active	Yes	No	2802
16	STO cause: Safety comm. mode	Yes	No	-
17	STO cause selection via terminal (Basic Functions)	Yes	No	-
18	STO cause selection via Safe Motion Monitoring (SMM)	Yes	No	-
19	STO cause actual value missing	Yes	No	-
21	STO cause selection on the other monitoring channel	Yes	No	-
22	SS1 cause selection terminal (Basic Functions)	Yes	No	-

Dependency:

Refer to: r9872

Note:

Re bit 00:

When STO is selected, the cause is displayed in bits 16 ... 21.

Re bit 05:

When SS1 is selected, the cause is displayed in bits 22 and 23.

Re bit 18:

When the bit is set, STO is selected via PROFIsafe or via F-DI.

Re bit 19:

With SMM encoderless no actual value sensing is possible on account of OFF2.

SMM: Safe Motion Monitoring

Re bit 22, 23:

These bits show via which path the SS1 was triggered, i.e. what has started the SS1 delay time.

If the SS1 delay time is not started (e.g. because an STO is triggered at the same time), neither of the two bits is set.

r9773.0...31

CO/BO: SI status (processor 1 + processor 2) / SI status P1+P2

Access level: 2	Calculated: -	Data type: Unsigned32
Can be changed: -	Scaling: -	Dyn. index: -
Units group: -	Unit selection: -	Func. diagram: 2804
Min	Max	Factory setting
-	-	-

Description:

Displays the Safety Integrated status on the drive (processor 1 + processor 2).

Bit field:

Bit	Signal name	1 signal	0 signal	FP
00	STO selected in drive	Yes	No	2804
01	STO active in drive	Yes	No	2804
02	SS1 delay time active in the drive	Yes	No	2804
04	SBC requested	Yes	No	2804
05	SS1 selected in the drive (Basic Functions)	Yes	No	-
06	SS1 active in the drive (Basic Functions)	Yes	No	-
31	Shutdown paths must be tested	Yes	No	2810

Note:

This status is formed from the AND operation of the relevant status of the two monitoring channels.

r9776

SI diagnostics / SI diag

Access level: 3	Calculated: -	Data type: Unsigned32
Can be changed: -	Scaling: -	Dyn. index: -
Units group: -	Unit selection: -	Func. diagram: -
Min	Max	Factory setting
-	-	-

Description:

The parameter is used for diagnostics.

Bit field:

Bit	Signal name	1 signal	0 signal	FP
00	Safety parameter changed POWER ON required	Yes	No	-
01	Safety functions enabled	Yes	No	-
02	Safety component replaced and data save required	Yes	No	-
03	Safety component replaced and acknowledge/save required	Yes	No	-

Note:

Re bit 00 = 1:

At least one Safety parameter has been changed that will only take effect after a POWER ON.

Re bit 01 = 1:

Safety functions (basic functions or extended functions) have been enabled and are active.

Re bit 02 = 1:

A safety-relevant component has been replaced. Data save required (p0977 = 1 or p0971 = 1 or "copy RAM to ROM").

Re bit 03 = 1:

A safety-relevant component has been replaced. Acknowledge (p9702 = 29) and save (p0977 = 1 or p0971 = 1 or "Copy RAM to ROM") required.

r9780	SI monitoring clock cycle (processor 1) / SI mon_clk cyc P1		
	Access level: 3	Calculated: -	Data type: FloatingPoint32
	Can be changed: -	Scaling: -	Dyn. index: -
	Units group: -	Unit selection: -	Func. diagram: 2802
	Min	Max	Factory setting
	- [ms]	- [ms]	- [ms]
Description:	Displays the clock cycle time for the Safety Integrated Basic Functions on processor 1.		
Note:	Information regarding the relationship between monitoring clock cycle and response times can be found in the following references: - SINAMICS G120 Function Manual Safety Integrated - technical documentation for the particular product		
r9781[0...1]	SI checksum to check changes (processor 1) / SI chg chksm P1		
	Access level: 3	Calculated: -	Data type: Unsigned32
	Can be changed: -	Scaling: -	Dyn. index: -
	Units group: -	Unit selection: -	Func. diagram: -
	Min	Max	Factory setting
	-	-	-
Description:	Displays the checksum for tracking changes for Safety Integrated. These are additional checksums that are created to track changes (fingerprint for the "safety logbook" functionality) to safety parameters (that are relevant for checksums).		
Index:	[0] = SI checksum to track functional changes [1] = SI checksum to track hardware-specific changes		
Dependency:	Refer to: p9601, p9729, p9799		
r9782[0...1]	SI time stamp to check changes (processor 1) / SI chg t P1		
	Access level: 3	Calculated: -	Data type: FloatingPoint32
	Can be changed: -	Scaling: -	Dyn. index: -
	Units group: -	Unit selection: -	Func. diagram: -
	Min	Max	Factory setting
	- [h]	- [h]	- [h]
Description:	Displays the time stamps for the checksums for tracking changes for Safety Integrated. The time stamps for the checksums for tracking changes (fingerprint for the "safety logbook" functionality) made to safety parameters are saved in parameters p9781[0] and p9781[1].		
Index:	[0] = SI time stamp for checksum to track functional changes [1] = SI time stamp for checksum to track hardware-specific changes		
Dependency:	Refer to: p9601, p9729, p9799		
r9784[0...1]	SI Motion diagnostics sensorless acceleration / Diag sl a		
	Access level: 3	Calculated: -	Data type: FloatingPoint32
	Can be changed: -	Scaling: -	Dyn. index: -
	Units group: -	Unit selection: -	Func. diagram: -
	Min	Max	Factory setting
	- [rev/s ²]	- [rev/s ²]	- [rev/s ²]
Description:	Display to diagnose acceleration values of the encoderless actual values sensing.		
Index:	[0] = Setpoint acceleration value [1] = Actual acceleration value		
Dependency:	Refer to: p9589		
Note:	Re index 0: Shows the parameterized acceleration value of p9589. Re index 1: Shows the actually measured acceleration values of the encoderless actual value sensing		

r9785[0...1]	SI Motion diagnostics sensorless minimum current / Diag sl I_min		
	Access level: 3	Calculated: -	Data type: FloatingPoint32
	Can be changed: -	Scaling: -	Dyn. index: -
	Units group: 6_3	Unit selection: p0505	Func. diagram: -
	Min	Max	Factory setting
	- [mA]	- [mA]	- [mA]
Description:	Display to diagnose currents of the encoderless actual value sensing.		
Index:	[0] = Minimum current parameterized [1] = Minimum current measured		
Dependency:	Refer to: p9588		
Note:	Re index 0: Displays the parameterized minimum current of p9588. Re index 1: Displays the currently measured current of the encoderless actual value sensing		

r9786[0...2]	SI Motion diagnostics sensorless angle / Diag sl angle		
	Access level: 3	Calculated: -	Data type: FloatingPoint32
	Can be changed: -	Scaling: -	Dyn. index: -
	Units group: -	Unit selection: -	Func. diagram: -
	Min	Max	Factory setting
	- [°]	- [°]	- [°]
Description:	Display to diagnose the angle for sensorless actual value sensing.		
Index:	[0] = Plausibility angle actual value [1] = Voltage angle actual value [2] = Current angle actual value		
Dependency:	Refer to: p9585		
Note:	Re index 0: Displays the actual plausibility angle. Re index 1: Displays the actual voltage angle. Re index 2: Displays the actual current angle.		

r9787	SI Motion diagnostics sensorless velocity deviation / Diag sl v_dev		
	Access level: 3	Calculated: -	Data type: FloatingPoint32
	Can be changed: -	Scaling: -	Dyn. index: -
	Units group: -	Unit selection: -	Func. diagram: -
	Min	Max	Factory setting
	- [rpm]	- [rpm]	- [rpm]
Description:	Displays the actual velocity deviation for sensorless actual value sensing. This value is calculated when setting p9585/p9385. The actual velocity has a deviation of +/- r9787 for 6 ms * p9585/p9385 within a monitoring time of 1 s.		
Dependency:	Refer to: p9585		
Note:	For linear axes, the following unit applies: millimeters per minute For rotary axes, the following unit applies: revolutions per minute		

r9794[0...19]	SI crosswise comparison list (processor 1) / SI CDC_list P1		
	Access level: 3	Calculated: -	Data type: Unsigned16
	Can be changed: -	Scaling: -	Dyn. index: -
	Units group: -	Unit selection: -	Func. diagram: 2802
	Min	Max	Factory setting
	-	-	-
Description:	Displays the numbers of the data items that are currently being compared crosswise on processor 1. The content of the list of crosswise-compared data is dependent upon the particular application.		
Note:	Example: r9794[0] = 1 (monitoring clock cycle) r9794[1] = 2 (enable safety functions) r9794[2] = 3 (F-DI changeover, tolerance time) ... A complete list of numbers for crosswise-compared data items appears in fault F01611.		
r9795	SI diagnostics STOP F (processor 1) / SI diag STOP F P1		
	Access level: 2	Calculated: -	Data type: Unsigned32
	Can be changed: -	Scaling: -	Dyn. index: -
	Units group: -	Unit selection: -	Func. diagram: 2802
	Min	Max	Factory setting
	-	-	-
Description:	Displays the number of the cross-compared data item which caused STOP F on processor 1.		
Note:	A complete list of numbers for crosswise-compared data items appears in fault F01611.		
r9798	SI actual checksum SI parameters (processor 1) / SI act chksm P1		
	Access level: 3	Calculated: -	Data type: Unsigned32
	Can be changed: -	Scaling: -	Dyn. index: -
	Units group: -	Unit selection: -	Func. diagram: 2800
	Min	Max	Factory setting
	-	-	-
Description:	Displays the checksum for the Safety Integrated parameters checked using checksums on processor 1 (actual checksum).		
Dependency:	Refer to: p9799, r9898		
p9799	SI setpoint checksum SI parameters (processor 1) / SI setp_chksm P1		
	Access level: 3	Calculated: -	Data type: Unsigned32
	Can be changed: C(95)	Scaling: -	Dyn. index: -
	Units group: -	Unit selection: -	Func. diagram: 2800
	Min	Max	Factory setting
	0000 hex	FFFF FFFF hex	0000 hex
Description:	Sets the checksum for the Safety Integrated parameters checked using checksums on processor 1 (setpoint checksum).		
Dependency:	Refer to: r9798, p9899		

p9801		SI enable functions integrated in the drive (processor 2) / SI enable fct P2		
CU250S_V_DP	Access level: 3	Calculated: -	Data type: Unsigned16	
CU250S_V_PN	Can be changed: C(95)	Scaling: -	Dyn. index: -	
	Units group: -	Unit selection: -	Func. diagram: -	
	Min	Max	Factory setting	
	-	-	0000 bin	
Description:	Sets the enable signals for the safety functions integrated in the drive and the type of selection on processor 1. Not all of the settings listed below will be permissible, depending on the Control Unit and Power Module being used: 0000 hex: Safety functions integrated in the drive inhibited (no safety function). 0001 hex: Basic functions are enabled via onboard terminals (permissible for r9771.0 = 1). 0004 hex: Extended functions are enabled via onboard terminals (permissible for r9771.5 = 1). 0008 hex: Basic functions are enabled via PROFIsafe (permissible for r9771.6 = 1). 0009 hex: Basic functions are enabled via PROFIsafe onboard terminals (permissible for r9771.6 = 1). 000C hex: Extended functions are enabled via PROFIsafe (permissible for r9771.4 = 1). 000D hex: Extended functions are enabled via PROFIsafe and basic functions via onboard terminals (permissible for r9771.4 = 1).			
Bit field:	Bit	Signal name	1 signal	0 signal
	00	Enable STO via terminals (processor 2)	Enable	Inhibit
	02	Enable drive_integr motion_monitoring functions (processor 2)	Enable	Inhibit
	03	Enable PROFIsafe (processor 2)	Enable	Inhibit
Dependency:	Refer to: p9601, r9871			
Notice:	This parameter is overwritten by the copy function of the safety functions integrated in the drive.			
Note:	A change only becomes effective after a POWER ON. STO: Safe Torque Off			

p9801		SI enable functions integrated in the drive (processor 2) / SI enable fct P2		
CU250S_V	Access level: 3	Calculated: -	Data type: Unsigned16	
CU250S_V_CAN	Can be changed: C(95)	Scaling: -	Dyn. index: -	
	Units group: -	Unit selection: -	Func. diagram: -	
	Min	Max	Factory setting	
	-	-	0000 bin	
Description:	Sets the enable signals for the safety functions integrated in the drive and the type of selection on processor 1. Not all of the settings listed below will be permissible, depending on the Control Unit and Power Module being used: 0000 hex: Safety functions integrated in the drive inhibited (no safety function). 0001 hex: Basic functions are enabled via onboard terminals (permissible for r9771.0 = 1). 0004 hex: Extended functions are enabled via onboard terminals (permissible for r9771.5 = 1). 0008 hex: Basic functions are enabled via PROFIsafe (permissible for r9771.6 = 1). 0009 hex: Basic functions are enabled via PROFIsafe onboard terminals (permissible for r9771.6 = 1). 000C hex: Extended functions are enabled via PROFIsafe (permissible for r9771.4 = 1).			

2 Parameters

2.2 List of parameters

000D hex:

Extended functions are enabled via PROFIsafe and basic functions via onboard terminals (permissible for r9771.4 = 1).

Bit field:	Bit	Signal name	1 signal	0 signal	FP
	00	Enable STO via terminals (processor 2)	Enable	Inhibit	2810
	02	Enable drive_integr motion_monitoring functions (processor 2)	Enable	Inhibit	-

Dependency: Refer to: p9601, r9871

Notice: This parameter is overwritten by the copy function of the safety functions integrated in the drive.

Note: A change only becomes effective after a POWER ON.

STO: Safe Torque Off

p9802 SI enable Safe Brake Control (processor 2) / SI enable SBC P2

Access level: 3	Calculated: -	Data type: Integer32
Can be changed: C(95)	Scaling: -	Dyn. index: -
Units group: -	Unit selection: -	Func. diagram: 2814
Min	Max	Factory setting
0	1	0

Description: Sets the enable signal for the "Safe Brake Control" (SBC) function on processor 2.

0: Inhibit SBC

1: Enable SBC

Dependency: Refer to: p9602

Notice: This parameter is overwritten by the copy function of the safety functions integrated in the drive.

Note: The "Safe Brake Control" function is not activated until at least one safety monitoring function has been enabled (i.e. p9501 not equal to 0 and/or p9801 not equal to 0).

It does not make sense to parameterize "no motor holding brake available" and enable "Safe Brake Control" (p1215 = 0, p9602 = p9802 = 1) if there is no motor holding brake.

It does not make sense to parameterize "motor holding brake the same as sequence control, connection via BICO" and enable "Safe Brake Control" (p1215 = 3, p9602 = p9802 = 1).

It is not permissible to parameterize "motor holding brake without feedback signals" and enable "Safe Brake Control" (p1278 = 1, p9602 = p9802 = 1).

SBC: Safe Brake Control

p9810 SI PROFIsafe address (processor 2) / SI PROFIsafe P2

CU250S_V_DP	Access level: 3	Calculated: -	Data type: Unsigned16
CU250S_V_PN	Can be changed: C(95)	Scaling: -	Dyn. index: -
	Units group: -	Unit selection: -	Func. diagram: -
	Min	Max	Factory setting
	0000 hex	FFFE hex	0000 hex

Description: Sets the PROFIsafe address on processor 2.

Notice: This parameter is overwritten by the copy function of the safety functions integrated in the drive.

p9850 SI F-DI changeover discrepancy time (processor 2) / SI F-DI chg t P2

Access level: 3	Calculated: -	Data type: FloatingPoint32
Can be changed: C(95)	Scaling: -	Dyn. index: -
Units group: -	Unit selection: -	Func. diagram: 2810
Min	Max	Factory setting
0.00 [µs]	2000000.00 [µs]	500000.00 [µs]

Description: Sets the discrepancy time for the changeover of the failsafe digital input for STO on processor 2.

An F-DI changeover is not effective simultaneously due to the different runtimes in the two monitoring channels. After an F-DI changeover, dynamic data is not subject to a crosswise data comparison during this discrepancy time.

Dependency: Refer to: p9650

Notice: This parameter is overwritten by the copy function of the safety functions integrated in the drive.

Note: For a crosswise data comparison between p9650 and p9850, a difference of one Safety monitoring clock cycle is tolerated.
The parameterized time is rounded internally to an integer multiple of the monitoring clock cycle.
F-DI: Failsafe Digital Input

p9851	SI STO/SBC/SS1 debounce time (processor 2) / SI STO t_debou P2		
	Access level: 3	Calculated: -	Data type: FloatingPoint32
	Can be changed: C(95)	Scaling: -	Dyn. index: -
	Units group: -	Unit selection: -	Func. diagram: -
	Min	Max	Factory setting
	0.00 [µs]	100000.00 [µs]	1000.00 [µs]
Description:	Sets the debounce time for the digital input used to control STO/SBC/SS1. The debounce time is rounded to whole milliseconds.		
Notice:	This parameter is overwritten by the copy function of the safety functions integrated in the drive.		
Note:	Rounding effects can occur in the last decimal place of the parameterized time. The debounce time is rounded to whole milliseconds. It specifies the maximum duration of a fault pulse at the fail-safe digital inputs with no reaction/influence on the selection or deselection of the Safety Basic Functions. Example: Debounce time = 1 ms: Fault pulses of 1 ms are filtered; only pulses longer than 2 ms are processed. Debounce time = 3 ms: Fault pulses of 3 ms are filtered; only pulses longer than 4 ms are processed.		

p9852	SI Safe Stop 1 delay time (Motor Module) / SI Stop 1 t_del MM		
	Access level: 3	Calculated: -	Data type: FloatingPoint32
	Can be changed: C(95)	Scaling: -	Dyn. index: -
	Units group: -	Unit selection: -	Func. diagram: -
	Min	Max	Factory setting
	0.00 [ms]	300000.00 [ms]	0.00 [ms]
Description:	Sets the delay time of the pulse suppression for the "Safe Stop 1" (SS1) function on processor 2 to brake along the OFF3 down ramp (p1135).		
Recommend.:	In order that the drive can completely ramp-down along the OFF3 ramp and a motor holding brake that is possibly available can close, then the delay time should be set as follows: Motor holding brake parameterized: delay time \geq p1135 + p1228 + p1217 Motor holding brake not parameterized: delay time \geq p1135 + p1228		
Dependency:	Refer to: p1135, p9652		
Notice:	This parameter is overwritten by the copy function of the safety functions integrated in the drive.		
Note:	For a crosswise data comparison between p9652 and p9852, a difference of one Safety monitoring clock cycle is tolerated. Rounding effects can occur in the last decimal place of the parameterized time. The set time is rounded internally to an integer multiple of the monitoring clock (r9780/r9880) cycle. SS1: Safe Stop 1 (corresponds to Stop Category 1 acc. to EN60204)		

r9871	SI common functions (processor 2) / SI common fct P2				
	Access level: 3	Calculated: -	Data type: Unsigned32		
	Can be changed: -	Scaling: -	Dyn. index: -		
	Units group: -	Unit selection: -	Func. diagram: 2804		
	Min	Max	Factory setting		
	-	-	-		
Description:	Displays the supported Safety Integrated monitoring functions. Processor 2 determines this display.				
Bit field:	Bit	Signal name	1 signal	0 signal	FP
	00	STO supported via terminals	Yes	No	2804
	01	SBC supported	Yes	No	2804
	02	Extended Functions supported (p9501 > 0)	Yes	No	2804
	03	SS1 supported	Yes	No	2804
	04	Extended Functions PROFIsafe supported	Yes	No	-

2 Parameters

2.2 List of parameters

05	Extended Functions integrated in drive supported (p9601.2 = 1)	Yes	No	-
06	Basic Functions PROFIsafe supported	Yes	No	-
07	Extended Functions encoderless supported	Yes	No	-
11	Extended Functions SDI supported	Yes	No	-
12	Extended Functions SSM encoderless supported	Yes	No	-

Dependency:

Refer to: r9771

Note:

SBC: Safe Brake Control

SDI: Safe Direction (safe motion direction)

SI: Safety Integrated

SS1: Safe Stop 1

STO: Safe Torque Off / SH: Safe standstill

SSM: Safe Speed Monitor (safety-relevant feedback signal from the velocity monitoring)

r9872.0...23

CO/BO: SI status (processor 2) / SI Status P2

CU250S_V_DP

Access level: 2

Calculated: -

Data type: Unsigned32

CU250S_V_PN

Can be changed: -

Scaling: -

Dyn. index: -

Units group: -

Unit selection: -

Func. diagram: 2804

Min

Max

Factory setting

-

-

-

Description:

Displays the Safety Integrated status on processor 2.

Bit field:

Bit	Signal name	1 signal	0 signal	FP
00	STO selected on processor 2	Yes	No	2810
01	STO active on processor 2	Yes	No	2810
02	SS1 delay time active on processor 2	Yes	No	2810
04	SBC requested	Yes	No	2814
05	SS1 selected on processor 2 (Basic Functions)	Yes	No	-
06	SS1 active on processor 2 (Basic Functions)	Yes	No	-
07	STO terminal state on processor 2 (Basic Functions)	High	Low	-
09	STOP A cannot be acknowledged active	Yes	No	2802
10	STOP A active	Yes	No	2802
15	STOP F active	Yes	No	2802
16	STO cause: Safety comm. mode	Yes	No	-
17	STO cause selection via terminal (Basic Functions)	Yes	No	-
18	STO cause: selection via SMM	Yes	No	-
20	STO cause selection PROFIsafe or TM54F (Basic Functions)	Yes	No	-
21	STO cause selection on the other monitoring channel	Yes	No	-
22	SS1 cause selection terminal (Basic Functions)	Yes	No	-
23	SS1 cause selection PROFIsafe or TM54F (Basic Functions)	Yes	No	-

Dependency:

Refer to: r9772

Note:

Re bit 00:

When STO is selected, the cause is displayed in bits 16 ... 21.

Re bit 05:

When SS1 is selected, the cause is displayed in bits 22 and 23.

Re bit 18:

When the bit is set, STO is selected via PROFIsafe or via F-DI.

SMM: Safe Motion Monitoring

Re bit 22, 23:

These bits show via which path the SS1 was triggered, i.e. what has started the SS1 delay time.

If the SS1 delay time is not started (e.g. because an STO is triggered at the same time), neither of the two bits is set.

r9872.0...22		CO/BO: SI status (processor 2) / SI Status P2			
CU250S_V	Access level: 2	Calculated: -	Data type: Unsigned32		
CU250S_V_CAN	Can be changed: -	Scaling: -	Dyn. index: -		
	Units group: -	Unit selection: -	Func. diagram: 2804		
	Min	Max	Factory setting		
	-	-	-		
Description:	Displays the Safety Integrated status on processor 2.				
Bit field:	Bit	Signal name	1 signal	0 signal	FP
	00	STO selected on processor 2	Yes	No	2810
	01	STO active on processor 2	Yes	No	2810
	02	SS1 delay time active on processor 2	Yes	No	2810
	04	SBC requested	Yes	No	2814
	05	SS1 selected on processor 2 (Basic Functions)	Yes	No	-
	06	SS1 active on processor 2 (Basic Functions)	Yes	No	-
	07	STO terminal state on processor 2 (Basic Functions)	High	Low	-
	09	STOP A cannot be acknowledged active	Yes	No	2802
	10	STOP A active	Yes	No	2802
	15	STOP F active	Yes	No	2802
	16	STO cause: Safety comm. mode	Yes	No	-
	17	STO cause selection via terminal (Basic Functions)	Yes	No	-
	18	STO cause: selection via SMM	Yes	No	-
	21	STO cause selection on the other monitoring channel	Yes	No	-
	22	SS1 cause selection terminal (Basic Functions)	Yes	No	-
Dependency:	Refer to: r9772				
Note:	Re bit 00: When STO is selected, the cause is displayed in bits 16 ... 21.				
	Re bit 05: When SS1 is selected, the cause is displayed in bits 22 and 23.				
	Re bit 18: When the bit is set, STO is selected via PROFIsafe or via F-DI.				
	SMM: Safe Motion Monitoring				
	Re bit 22, 23: These bits show via which path the SS1 was triggered, i.e. what has started the SS1 delay time. If the SS1 delay time is not started (e.g. because an STO is triggered at the same time), neither of the two bits is set.				

r9898		SI actual checksum SI parameters (processor 2) / SI act_chksm P2		
	Access level: 3	Calculated: -	Data type: Unsigned32	
	Can be changed: -	Scaling: -	Dyn. index: -	
	Units group: -	Unit selection: -	Func. diagram: 2800	
	Min	Max	Factory setting	
	-	-	-	
Description:	Displays the checksum for the Safety Integrated parameters checked using checksums on processor 2 (actual checksum).			
Dependency:	Refer to: r9798, p9899			

p9899	SI setpoint checksum SI parameters (processor 2) / SI setp_chksm P2		
	Access level: 3	Calculated: -	Data type: Unsigned32
	Can be changed: C(95)	Scaling: -	Dyn. index: -
	Units group: -	Unit selection: -	Func. diagram: 2800
	Min 0000 hex	Max FFFF FFFF hex	Factory setting 0000 hex
Description:	Sets the checksum for the Safety Integrated parameters checked using checksums on processor 2 (setpoint checksum).		
Dependency:	Refer to: p9799, r9898		

r9900	Actual topology number of indices / Act topo indices		
	Access level: 3	Calculated: -	Data type: Unsigned16
	Can be changed: -	Scaling: -	Dyn. index: -
	Units group: -	Unit selection: -	Func. diagram: -
	Min -	Max -	Factory setting -
Description:	Displays the number of indices of the actual topology.		
Note:	Only for internal Siemens use. The parameter is not displayed for the STARTER commissioning software.		

p9902	Target topology number of indices / TargetTopo indices		
	Access level: 3	Calculated: -	Data type: Unsigned16
	Can be changed: -	Scaling: -	Dyn. index: -
	Units group: -	Unit selection: -	Func. diagram: -
	Min 1	Max 65535	Factory setting 1
Description:	Sets the number of target topology indices.		
Dependency:	Refer to: p9903		
Note:	Only for internal Siemens use. The parameter is not displayed for the STARTER commissioning software.		

p9903[0...n]	Target topology / Target topo		
	Access level: 3	Calculated: -	Data type: Unsigned16
	Can be changed: -	Scaling: -	Dyn. index: p9902
	Units group: -	Unit selection: -	Func. diagram: -
	Min 0000 hex	Max FFFF hex	Factory setting 0000 hex
Description:	Sets the target topology of the drive unit. The target topology is sub-divided into several sections. Each of the following data is saved under an index. General data on the topology: - version - attribute to compare the actual topology and target topology - number of components Data on a component: - type component of the Node Identifier of the component - number of DRIVE-CLiQ sockets in the Node Identifier - manufacturer and version of the Node Identifier - serial number of the Node Identifier (4 indices) - index of the component - order number (8 indices) - attribute to compare the actual topology and target topology of the component - component number		

- number of port types
 - port type
 - number of ports of the port type
 - component number of the associated/linked component
 - number of the associated/linked port
 - component number of the associated/linked component
 - number of the associated port, etc.
- Data on the next component:
- etc.

Dependency:

Refer to: p9902

Note:

The target topology can only be modified using the commissioning software.

The parameter is not displayed for the STARTER commissioning software.

Changes only become effective when the state of p0009 = 101 changes to 0 or 111.

p9904**Topology comparison acknowledge differences / Topo_compare ackn**

Access level: 3	Calculated: -	Data type: Unsigned32
Can be changed: -	Scaling: -	Dyn. index: -
Units group: -	Unit selection: -	Func. diagram: -
Min	Max	Factory setting
0000 hex	FFFF FFFF hex	0000 hex

Description:

If, when comparing the actual topology and target topology, only error has occurred, that can be acknowledged, then using this parameter, a new comparison can be started - acknowledging the error in the target topology.

Differences that can be acknowledged:

- topology comparison, component shifted
- topology comparison, serial number of a component has been detected to be different (byte 3 = 1)
- topology comparison shows one component that is connected differently

The following parameter values are available:

p9904 = 1 --> the procedure is started.

p9904 = 0 after starting --> the procedure has been successfully completed.

p9904 = 1 after starting --> the procedure has not been successfully completed.

The possible causes for an unsuccessful procedure are located in bytes 4, 3, 2.

Byte 2:

Number of structural differences.

Byte 3:

Number of differences that can be acknowledged (p9904).

Byte 4:

Number of differences. These differences can be resolved as follows:

- sets the topology comparison (p9906 or p9907/p9908).
- change over the actual topology.

The appropriate action should be selected corresponding to the message that is displayed/output.

Note:

In order to permanently accept the acknowledgement of the fault that can be resolved, then it must be saved in a non-volatile fashion (p0977).

p9905**Device specialization / Specialization**

Access level: 3	Calculated: -	Data type: Unsigned16
Can be changed: -	Scaling: -	Dyn. index: -
Units group: -	Unit selection: -	Func. diagram: -
Min	Max	Factory setting
0	2	0

Description:

With p9905 = 1, the serial numbers and the hardware versions of all of the components are transferred from the actual topology into the target topology and a new comparison is started.

For this device specialization, the components of the target topology may only differ from those of the actual topology by the serial numbers.

With p9905 = 2, the serial numbers, the hardware versions and the order numbers of all of the components are transferred from the actual topology into the target topology and a new comparison is started.

2 Parameters

2.2 List of parameters

For this device specialization, the components of the target topology may only differ from those of the actual topology by the serial numbers and order numbers.

Note: p9905 is automatically set to 0 at the end of the operation.

In order to permanently accept the data, it is necessary to save in a non-volatile fashion (p0977).

p9910	Target topology accept additional components / Add comp accept		
	Access level: 1	Calculated: -	Data type: Integer16
	Can be changed: -	Scaling: -	Dyn. index: -
	Units group: -	Unit selection: -	Func. diagram: -
	Min	Max	Factory setting
	0	6	0
Description:	Accept additional inserted DRIVE-CLiQ components into the target topology. The corresponding drive objects are added to the project.		
Value:	0: No selection 1: Reserved 2: Reserved 3: Reserved 4: Reserved 5: Reserved 6: Reserved		

p9915	DRIVE-CLiQ data transfer error shutdown threshold master / DQ fault master		
	Access level: 4	Calculated: -	Data type: Unsigned32
	Can be changed: C(1)	Scaling: -	Dyn. index: -
	Units group: -	Unit selection: -	Func. diagram: -
	Min	Max	Factory setting
	0000 hex	0007 07FF hex	0007 02FF hex
Description:	Only for internal Siemens service purposes.		

p9916	DRIVE-CLiQ data transfer error shutdown threshold slave / DQ fault slave		
	Access level: 4	Calculated: -	Data type: Unsigned32
	Can be changed: C(1)	Scaling: -	Dyn. index: -
	Units group: -	Unit selection: -	Func. diagram: -
	Min	Max	Factory setting
	0000 hex	0007 07FF hex	0007 02FF hex
Description:	Only for internal Siemens service purposes.		

p9920[0...99]	Licensing enter license key / Enter license key		
	Access level: 2	Calculated: -	Data type: Unsigned8
	Can be changed: U, T	Scaling: -	Dyn. index: -
	Units group: -	Unit selection: -	Func. diagram: -
	Min	Max	Factory setting
	-	-	-
Description:	Enters the license key for this drive unit. Example of the license key: EACZ-QBCA = 69 65 67 90 45 81 66 67 65 dec (ASCII characters) Index 0 = license key character 1 (e.g. 69 dec) Index 1 = license key character 2 (e.g. 65 dec) ... Index 8 = license key character 9 (e.g. 65 dec) Index 9 = license key character 10 (e.g. 0 dec) ...		
Dependency:	Refer to: r7843, p9921		

- Notice:** An ASCII table (excerpt) can be found, for example, in the appendix to the List Manual.
With the STARTER commissioning software, ASCII characters are not entered coded, i.e. the characters of the license key can be entered as printed in the Certificate of License. In this case, STARTER codes the characters.
- Note:** For an invalid license key, all the indices have the value 0 dec.
Only the ASCII characters contained in a license key can be entered ("1" to "9", "A" to "H", "K" to "N", "P" to "Z" as well as "-").
When manually changing p9920[x] to the value 0 dec, all the values of all the following indices are also set to 0 dec.
After entering the license key, the license key must be activated (p9921).
If the licensing is not adequate, then the following alarm is displayed together with LED:
- A13000 --> licensing not sufficient
- LED READY --> flashes green/red with 0.5 Hz

p9921	Licensing activate license key / Act license key		
	Access level: 2	Calculated: -	Data type: Integer16
	Can be changed: U, T	Scaling: -	Dyn. index: -
	Units group: -	Unit selection: -	Func. diagram: -
	Min	Max	Factory setting
	0	1	0
Description:	Activates the entered license key. The following is executed when activating the license key. - the checksum of the entered license key is checked. - the entered license key is saved in a non-volatile fashion on the memory card. - re-enter the license key.		
Value:	0: Inactive 1: Activate start license key		
Dependency:	Refer to: p9920		
Note:	Before activation, the license key entered using parameter p9920 is checked. If this check identifies an error, activation is rejected. In this case, writing a 1 to p9921 is rejected. When the license key has been activated, p9921 is automatically set to 0.		

r9925[0...99]	Firmware file incorrect / FW file incorr		
	Access level: 3	Calculated: -	Data type: Unsigned8
	Can be changed: -	Scaling: -	Dyn. index: -
	Units group: -	Unit selection: -	Func. diagram: -
	Min	Max	Factory setting
	-	-	-
Description:	Displays the directory and name of the file whose status as shipped from the factory was identified as impermissible.		
Dependency:	Refer to: r9926		
Note:	The directory and name of the file is displayed in the ASCII code.		

r9926	Firmware check status / FW check status		
	Access level: 3	Calculated: -	Data type: Unsigned8
	Can be changed: -	Scaling: -	Dyn. index: -
	Units group: -	Unit selection: -	Func. diagram: -
	Min	Max	Factory setting
	-	-	-
Description:	Displays the status when the firmware is checked when the system is booted. 0: Firmware not yet checked. 1: Check running. 2: Check successfully completed. 3: Check indicates an error.		
Dependency:	Refer to: r9925		

p9930[0...8]	System logbook activation / SYSLOG activation		
	Access level: 4	Calculated: -	Data type: Unsigned8
	Can be changed: U, T	Scaling: -	Dyn. index: -
	Units group: -	Unit selection: -	Func. diagram: -
	Min	Max	Factory setting
	0	255	0
Description:	Only for service purposes.		
Index:	[0] = System logbook stage (0: Not active) [1] = COM2/COM1 (0: COM2, 1: COM1) [2] = Activate file write (0: Not active) [3] = Display time stamp (0: Not displayed) [4...7] = Reserved [8] = System logbook file size (stages, each 10 kB)		
Notice:	Before powering down the Control Unit, ensure that the system logbook is switched out (p9930[0] = 0). If writing to the file is activated (p9930[2] = 1), writing to the file must be de-activated again before switching off the Control Unit (p9930[2] = 0) in order to ensure that the system logbook has been completely written to the file.		

p9931[0...179]	System logbook module selection / SYSLOG mod select.		
	Access level: 4	Calculated: -	Data type: Unsigned32
	Can be changed: U, T	Scaling: -	Dyn. index: -
	Units group: -	Unit selection: -	Func. diagram: -
	Min	Max	Factory setting
	0000 hex	FFFF FFFF hex	0000 hex
Description:	Only for service purposes.		

p9932	Save system logbook EEPROM / SYSLOG EEPROM save		
	Access level: 4	Calculated: -	Data type: Unsigned8
	Can be changed: U, T	Scaling: -	Dyn. index: -
	Units group: -	Unit selection: -	Func. diagram: -
	Min	Max	Factory setting
	0	255	0
Description:	Only for service purposes.		

r9935.0	BO: POWER ON delay signal / POWER ON t_delay				
	Access level: 4	Calculated: -	Data type: Unsigned8		
	Can be changed: -	Scaling: -	Dyn. index: -		
	Units group: -	Unit selection: -	Func. diagram: -		
	Min	Max	Factory setting		
	-	-	-		
Description:	Display and binector output for a delay after POWER ON. After power-on, binector output r9935.0 is set with the start of the first sampling time and is again reset after approx. 100 ms.				
Bit field:	Bit	Signal name	1 signal	0 signal	FP
	00	POWER ON delay signal	High	Low	-

r9936[0...199]	DRIVE-CLiQ diagnostic error counter connection / DQdiag err counter		
	Access level: 4	Calculated: -	Data type: Integer32
	Can be changed: -	Scaling: -	Dyn. index: -
	Units group: -	Unit selection: -	Func. diagram: -
	Min	Max	Factory setting
	-	-	-
Description:	Displays the error counter for the individual DRIVE-CLiQ connections/cables. r9936[0]: sum of the error counter for all connections		

r9936[1]: not used
 r9936[2]: error counter for the feeder cable to DRIVE-CLiQ components with component number 2
 ...
 r9936[199]: error counter for the feeder cable to DRIVE-CLiQ components with component number 199
 The feeder cable is the DRIVE-CLiQ cable that is connected to a component in the direction of the Control Unit.
Dependency: Refer to: p9937, p9938

p9937**DRIVE-CLiQ diagnostic configuration / DQ diag config**

Access level: 4	Calculated: -	Data type: Unsigned16
Can be changed: U, T	Scaling: -	Dyn. index: -
Units group: -	Unit selection: -	Func. diagram: -
Min	Max	Factory setting
-	-	0000 0000 0000 0000 bin

Description:

Sets the configuration for the DRIVE-CLiQ diagnostics (error counter r9936).
 Using this function, connections and cables of DRIVE-CLiQ connections can be checked for transfer errors. The error counter is evaluated in the PHY blocks involved.

Bit field:

Bit	Signal name	1 signal	0 signal	FP
00	Alarm for connection error	Yes	No	-
08	Reset error counter	Yes	No	-

Dependency:

Refer to: r9936, p9938

Note:

Re bit 00:
 To activate this function, p9938 must be set to 0 (inactive).
 After changing the error counter (r9936), an appropriate alarm is output.
 The alarm automatically disappears after 5 seconds.

Re bit 08:
 With p9937.8 = 1, the error counters are reset (r9936[0...199]).
 After the reset, p9937.8 is automatically set to 0.

p9938**DRIVE-CLiQ detailed diagnostics configuration / DQ diag config**

Access level: 4	Calculated: -	Data type: Integer16
Can be changed: U, T	Scaling: -	Dyn. index: -
Units group: -	Unit selection: -	Func. diagram: -
Min	Max	Factory setting
0	6	0

Description:

Sets the configuration for the DRIVE-CLiQ detailed diagnostics (r9943).
 Using the detailed diagnostics, it is possible to investigate data transfer errors on an individual connection, selected using p9942.

Value:

0: Inactive
 1: Sum send and receive errors
 2: Only send errors
 3: Only receive errors
 4: Siemens internal
 5: Siemens internal
 6: Siemens internal

Dependency:

The functions in p9938 can only be set for p9937.0 = 0.
 Refer to: r9936, p9937, p9939, p9942

Notice:

If value = 0:
 - detailed diagnostics is inactive.
 - the error counter is active (r9936).

If value > 0:
 - the error counter is inactive (r9936).
 - the detailed diagnostics as configured is active (r9943).

p9939	DRIVE-CLiQ detailed diagnostics time interval / DQ detail t_interv		
	Access level: 4	Calculated: -	Data type: FloatingPoint32
	Can be changed: U, T	Scaling: -	Dyn. index: -
	Units group: -	Unit selection: -	Func. diagram: -
	Min	Max	Factory setting
	1 [s]	3600 [s]	1 [s]
Description:	Sets the time interval for recording the error counter in r9943.		
Dependency:	Refer to: r9936, p9938, p9942, r9943		
p9942	DRIVE-CLiQ detailed diagnostics select individual connection / DQ detail conn		
	Access level: 4	Calculated: -	Data type: Unsigned16
	Can be changed: U, T	Scaling: -	Dyn. index: -
	Units group: -	Unit selection: -	Func. diagram: -
	Min	Max	Factory setting
	0	199	0
Description:	Sets the component, whose feeder cable is monitored for data transfer errors. The feeder cable is the DRIVE-CLiQ cable that is connected to a component in the direction of the Control Unit. Errors that have occurred in the selected time interval (p9939) can be read-out from r9943.		
Dependency:	Refer to: r9936, p9938, p9939, r9943		
r9943	DRIVE-CLiQ detailed diagn. individual connection error counter / DQ det err counter		
	Access level: 4	Calculated: -	Data type: Integer32
	Can be changed: -	Scaling: -	Dyn. index: -
	Units group: -	Unit selection: -	Func. diagram: -
	Min	Max	Factory setting
	-	-	-
Description:	Displays the connection errors of the individual connection that have occurred within the time interval (p9939). The detailed diagnostics for the individual connection is activated via p9938 > 0 and is selected via p9942.		
Dependency:	Refer to: r9936, p9938, p9939, p9942		
r9975[0...7]	System utilization measured / Sys util meas		
	Access level: 4	Calculated: -	Data type: FloatingPoint32
	Can be changed: -	Scaling: -	Dyn. index: -
	Units group: -	Unit selection: -	Func. diagram: -
	Min	Max	Factory setting
	- [%]	- [%]	- [%]
Description:	Displays the measured system utilization. The higher the value displayed, the higher the system utilization.		
Index:	[0] = Computing time utilization (min) [1] = Computing time utilization (averaged) [2] = Computing time utilization (max) [3] = Largest total utilization (min) [4] = Largest total utilization (averaged) [5] = Largest total utilization (max) [6] = Reserved [7] = Reserved		
Dependency:	Refer to: r9976		
Note:	Re index 3 ... 5: The total utilizations are determined using all sampling times used. The largest total utilizations are mapped here. The sampling time with the largest total utilization is displayed in r9979. Total utilization: Computing time load of sampling time involved including load from higher-priority sampling times (interrupts).		

r9976[0...7]	System utilization / Sys util		
	Access level: 3	Calculated: -	Data type: FloatingPoint32
	Can be changed: -	Scaling: -	Dyn. index: -
	Units group: -	Unit selection: -	Func. diagram: -
	Min	Max	Factory setting
	- [%]	- [%]	- [%]
Description:	Displays the system utilization. If the utilization is greater than 100%, fault F01054 is output.		
Index:	[0] = Reserved [1] = Computing time utilization [2] = Reserved [3] = Reserved [4] = Reserved [5] = Largest total utilization [6] = Reserved [7] = Reserved		
Note:	Re index 1: The value shows the total computing time load of the system. Re index 5: The total utilization is determined using all sampling times used. The largest total utilization is mapped here. The sampling time with the largest total utilization is displayed in r9979. Total utilization: Computing time load of sampling time involved including load from higher-priority sampling times (interrupts).		
r9999[0...99]	Software error internal supplementary diagnostics / SW_err int diag		
	Access level: 4	Calculated: -	Data type: Unsigned32
	Can be changed: -	Scaling: -	Dyn. index: -
	Units group: -	Unit selection: -	Func. diagram: -
	Min	Max	Factory setting
	-	-	-
Description:	Diagnostics parameter to display additional information for internal software errors.		
Note:	Only for internal Siemens troubleshooting.		
p10001	SI Motion delay time for test stop at DO (processor 1) / SI t_delay DO P1		
	Access level: 3	Calculated: -	Data type: FloatingPoint32
	Can be changed: C(95)	Scaling: -	Dyn. index: -
	Units group: -	Unit selection: -	Func. diagram: -
	Min	Max	Factory setting
	4.00 [ms]	2000.00 [ms]	500.00 [ms]
Description:	Sets the delay time for testing the digital output. Within this time, for a forced checking procedure of the digital output, the signal must have been detected via the corresponding readback input (p10047).		
Dependency:	Refer to: p10003, p10007, p10017, p10046		
Note:	The delay time must be set to a value greater than the debounce time (p10017). The set time is rounded internally to an integer multiple of the TM54F sampling time (r10015). Regardless of p10001, the forced checking procedure will pause for at least two safety monitoring clock cycles between each stage of the test. The test stop is only performed if the safety output is being used (see p10042).		

p10002	SI Motion F-DI changeover discrepancy time (processor 1) / SI Mtn DI chg t P1		
	Access level: 3	Calculated: -	Data type: FloatingPoint32
	Can be changed: C(95)	Scaling: -	Dyn. index: -
	Units group: -	Unit selection: -	Func. diagram: -
	Min	Max	Factory setting
	1.00 [ms]	2000.00 [ms]	500.00 [ms]
Description:	Sets the discrepancy time for digital inputs. The signal states at the two associated digital inputs (F-DI) must assume the same state within this discrepancy time.		
Dependency:	Refer to: p10102		
p10003	SI motion forced checking procedure timer / SI Mtn dyn t		
	Access level: 3	Calculated: -	Data type: FloatingPoint32
	Can be changed: C(95)	Scaling: -	Dyn. index: -
	Units group: -	Unit selection: -	Func. diagram: -
	Min	Max	Factory setting
	0.00 [h]	8760.00 [h]	8.00 [h]
Description:	Sets the time to carry out the forced checking procedure (test stop). Within the parameterized time, the digital inputs/outputs must have been subject to a forced checking procedure at least once. The forced checking procedure is started with binector input p10007 = 0/1 signal.		
Dependency:	Refer to: p10002, p10007, p10046		
p10006	SI Motion acknowledgement internal event F-DI (processor 1) / SI Mtn ackn int P1		
	Access level: 3	Calculated: -	Data type: Integer16
	Can be changed: C(95)	Scaling: -	Dyn. index: -
	Units group: -	Unit selection: -	Func. diagram: -
	Min	Max	Factory setting
	0	255	0
Description:	Select a fail-safe digital input for the signal "acknowledge internal event" (internal fault). The falling edge at this input resets the status "internal event" in the drives. The rising edge at this input acknowledges any existing discrepancy errors.		
Value:	0: Statically active 1: F-DI 0 2: F-DI 1 3: F-DI 2 255: Statically inact		
Dependency:	Refer to: p10106		
Note:	The values "static active" and "static inactive" result in an inactive function of the safe acknowledgment. F-DI: Failsafe Digital Input		
p10007	BI: SI Motion forced checking procedure F-DO signal source / SI dynF-DI/DOs_src		
	Access level: 3	Calculated: -	Data type: U32 / Binary
	Can be changed: C(95)	Scaling: -	Dyn. index: -
	Units group: -	Unit selection: -	Func. diagram: 2848
	Min	Max	Factory setting
	-	-	0
Description:	Selects an input terminal to start the test stop. The test stop is started with a 0/1 signal at the input terminal and is then only possible if the drive is not in commissioning mode.		
Dependency:	Refer to: p10001, p10002, p10003, p10046		

p10017	SI Motion digital inputs debounce time (processor 1) / SI DI t_debounceP1		
	Access level: 3	Calculated: -	Data type: FloatingPoint32
	Can be changed: C(95)	Scaling: -	Dyn. index: -
	Units group: -	Unit selection: -	Func. diagram: -
	Min	Max	Factory setting
	0.00 [ms]	100.00 [ms]	1.00 [ms]
Description:	Sets the debounce time for digital inputs. The debounce time is accepted rounded off to whole milliseconds. The debounce time acts on the following digital inputs: - Fail-safe digital inputs (F-DI). - Single-channel digital inputs (DI). - Single-channel digital input 5 (DI 5, read back input for the forced checking procedure).		
Dependency:	Refer to: p10117		
Note:	Example: Debounce time = 1 ms: Fault pulses of 1 ms are filtered; only pulses longer than 2 ms are processed. Debounce time = 3 ms: Fault pulses of 3 ms are filtered; only pulses longer than 4 ms are processed. The debounce result can be read in r10051.		
p10022	SI Motion STO input terminal (processor 1) / SI Mtn STO F-DI P1		
	Access level: 3	Calculated: -	Data type: Integer16
	Can be changed: C(95)	Scaling: -	Dyn. index: -
	Units group: -	Unit selection: -	Func. diagram: -
	Min	Max	Factory setting
	0	255	0
Description:	Sets the fail-safe digital input (F-DI) for the "STO" function.		
Value:	0: Statically active 1: F-DI 0 2: F-DI 1 3: F-DI 2 255: Statically inactive		
Dependency:	Refer to: p10122		
Note:	If value = 0: No terminal assigned, safety function always active. If value = 255: No terminal assigned, safety function always inactive. F-DI: Failsafe Digital Input STO: Safe Torque Off		
p10023	SI Motion SS1 input terminal (processor 1) / SI Mtn SS1 F-DI P1		
	Access level: 3	Calculated: -	Data type: Integer16
	Can be changed: C(95)	Scaling: -	Dyn. index: -
	Units group: -	Unit selection: -	Func. diagram: -
	Min	Max	Factory setting
	0	255	0
Description:	Sets the fail-safe digital input (F-DI) for the "SS1" function.		
Value:	0: Statically active 1: F-DI 0 2: F-DI 1 3: F-DI 2 255: Statically inactive		
Dependency:	Refer to: p10123		
Note:	If value = 0: No terminal assigned, safety function always active.		

2 Parameters

2.2 List of parameters

If value = 255:
No terminal assigned, safety function always inactive.
F-DI: Failsafe Digital Input
SS1: Safe Stop 1

p10026

SI Motion SLS input terminal (processor 1) / SI Mtn SLS F-DI P1

Access level: 3	Calculated: -	Data type: Integer16
Can be changed: C(95)	Scaling: -	Dyn. index: -
Units group: -	Unit selection: -	Func. diagram: -
Min	Max	Factory setting
0	255	0

Description: Sets the fail-safe digital input (F-DI) for the "SLS" function.

Value:
0: Statically active
1: F-DI 0
2: F-DI 1
3: F-DI 2
255: Statically inactive

Dependency: Refer to: p10126

Note:
If value = 0:
No terminal assigned, safety function always active.
If value = 255:
No terminal assigned, safety function always inactive.
F-DI: Failsafe Digital Input
SLS: Safely-Limited Speed

p10030

SI Motion SDI positive input terminal (processor 1) / SI SDI pos F-DI P1

Access level: 3	Calculated: -	Data type: Integer16
Can be changed: C(95)	Scaling: -	Dyn. index: -
Units group: -	Unit selection: -	Func. diagram: -
Min	Max	Factory setting
0	255	0

Description: Sets the fail-safe digital input (F-DI) for the "SDI positive" function.

Value:
0: Statically active
1: F-DI 0
2: F-DI 1
3: F-DI 2
255: Statically inactive

Note:
If value = 0:
No terminal assigned, safety function always active.
If value = 255:
No terminal assigned, safety function always inactive.
F-DI: Failsafe Digital Input
SDI: Safe Direction (safe motion direction)

p10031

SI Motion SDI negative input terminal (processor 1) / SI SDI neg F-DI P1

Access level: 3	Calculated: -	Data type: Integer16
Can be changed: C(95)	Scaling: -	Dyn. index: -
Units group: -	Unit selection: -	Func. diagram: -
Min	Max	Factory setting
0	255	0

Description: Sets the fail-safe digital input (F-DI) for the "SDI negative" function.

Value:
0: Statically active
1: F-DI 0
2: F-DI 1
3: F-DI 2
255: Statically inactive

Note: If value = 0:
No terminal assigned, safety function always active.
If value = 255:
No terminal assigned, safety function always inactive.
F-DI: Failsafe Digital Input
SDI: Safe Direction (safe motion direction)

p10039 **SI Motion Safe State signal selection (processor 1) / SI Safe State P1**

Access level: 3	Calculated: -	Data type: Unsigned32
Can be changed: C(95)	Scaling: -	Dyn. index: -
Units group: -	Unit selection: -	Func. diagram: 2856
Min	Max	Factory setting
-	-	0000 0001 bin

Description: Selects the individual signals that should be logically combined to create "Safe State"

Bit field:	Bit	Signal name	1 signal	0 signal	FP
	00	Power_removed	Selected	Not selected	-
	01	SS1_active	Selected	Not selected	-
	04	SLS_active	Selected	Not selected	-
	05	SDI_pos_active	Selected	Not selected	-
	06	SDI_neg_active	Selected	Not selected	-

p10042[0...5] **SI Motion F-DO signal sources (processor 1) / SI Mtn F-DOs_srcP1**

Access level: 3	Calculated: -	Data type: Integer16
Can be changed: C(95)	Scaling: -	Dyn. index: -
Units group: -	Unit selection: -	Func. diagram: 2877
Min	Max	Factory setting
0	13	0

Description: Sets the signal sources for F-DO 0 (X131.5).

The 6 signal sources in p10042[0...5] are AND'ed and the result is output at F-DO 0.

Value:

- 0: No function
- 1: STO active
- 2: SS1 active
- 5: SLS active
- 6: SSM feedback signal active
- 7: Safe state
- 9: Internal event
- 12: SDI positive active
- 13: SDI negative active

Index:

- [0] = AND logic operation input 1
- [1] = AND logic operation input 2
- [2] = AND logic operation input 3
- [3] = AND logic operation input 4
- [4] = AND logic operation input 5
- [5] = AND logic operation input 6

Note: F-DO: Failsafe Digital Output

p10046 **SI Motion F-DO feedback signal input activation / SI F-DO FS act**

Access level: 3	Calculated: -	Data type: Unsigned32
Can be changed: C(95)	Scaling: -	Dyn. index: -
Units group: -	Unit selection: -	Func. diagram: -
Min	Max	Factory setting
-	-	0000 bin

Description: Activates the readback input for the safety digital output (F-DO)

The test mode for the particular safety digital output is set in p10047.

Bit field:	Bit	Signal name	1 signal	0 signal	FP
	00	Test F-DO 0	Test active	No test	-

2 Parameters

2.2 List of parameters

Dependency: Refer to: p10001, p10003, p10007, p10047
Note: The test stop is only performed if the safety output of the Control Unit is being used (see p10042).

p10047 **SI Motion F-DO test stop mode (processor 1) / SI F-DO testmodeP1**

Access level: 3	Calculated: -	Data type: Integer16
Can be changed: C(95)	Scaling: -	Dyn. index: -
Units group: -	Unit selection: -	Func. diagram: -
Min	Max	Factory setting
1	3	2

Description: Sets the test stop mode for the safety digital output (F-DO)
Value: 1: Test mode 1 evaluation of int. diagnostic signal (passive load)
 2: Test mode 2 read back F-DO in DI (relay circuit)
 3: Test mode 3 read back F-DO in DI (actuator with feedback signal)

Dependency: Refer to: p10001, p10003, p10007, p10046
Note: The test stop is only performed if the safety output is being used (see p10042).

r10049 **SI Motion F-DI monitoring status (processor 1) / SI F-DI status P1**

Access level: 3	Calculated: -	Data type: Unsigned32
Can be changed: -	Scaling: -	Dyn. index: -
Units group: -	Unit selection: -	Func. diagram: -
Min	Max	Factory setting
-	-	-

Description: Displays the monitoring status of the fail-safe digital inputs (F-DI).
 The F-DIs that are being used by the Safety Integrated functions are displayed.
 If the module used has fewer than 3 F-DIs, "Freely available" is displayed for the F-DIs which are not in use.

Bit field:	Bit	Signal name	1 signal	0 signal	FP
	00	F-DI 0	Safety monitored	Freely available	-
	01	F-DI 1	Safety monitored	Freely available	-
	02	F-DI 2	Safety monitored	Freely available	-

Dependency: p10006 / p10106
 p10022 / p10122
 p10023 / p10123
 p10026 / p10126
 p10030 / p10130
 p10031 / p10131
 Refer to: r10149

p10050 **SI Motion PROFIsafe F-DI transfer (processor 1) / SI Ps F-DI tran P1**

Access level: 3	Calculated: -	Data type: Unsigned32
Can be changed: C(95)	Scaling: -	Dyn. index: -
Units group: -	Unit selection: -	Func. diagram: -
Min	Max	Factory setting
-	-	0000 bin

Description: Setting for the transfer and evaluation of failsafe digital inputs (F-DI) via PROFIsafe.
 The safe state of the selected F-DIs is transferred to the F-control via PROFIsafe. The F-DIs are monitored for discrepancies. Discrepancy faults can be acknowledged via PROFIsafe.

Bit field:	Bit	Signal name	1 signal	0 signal	FP
	00	F-DI 0 processor 1	Transfer	No transfer	-
	01	F-DI 1 processor 1	Transfer	No transfer	-
	02	F-DI 2 processor 1	Transfer	No transfer	-

Dependency: Refer to: p10150
Note: F-DI: Failsafe Digital Input

r10051.0...2	CO/BO: SI Motion digital inputs status (processor 1) / SI DI status P1				
	Access level: 3	Calculated: -	Data type: Unsigned32		
	Can be changed: -	Scaling: -	Dyn. index: -		
	Units group: -	Unit selection: -	Func. diagram: -		
	Min	Max	Factory setting		
	-	-	-		
Description:	Display and BICO output for the single-channel, logical and debounced status of the fail-safe digital inputs (F-DI). The parameter is updated in the SI Motion monitoring clock cycle.				
Bit field:	Bit	Signal name	1 signal	0 signal	FP
	00	F-DI 0 processor 1	High	Low	-
	01	F-DI 1 processor 1	High	Low	-
	02	F-DI 2 processor 1	High	Low	-
Dependency:	Refer to: p9501, p9601, p10017, p10050, r10151				
Note:	If a safety function is assigned to an input (e.g. via p10022), then the following applies:				
	- logical "0": Safety function is selected				
	- logical "1": Safety function is de-selected				
	The interrelationship between the logical level and the external voltage level at the input depends on the parameterization (refer to p10040) of the input as either NC or NO contact and is aligned to the use of a safety function:				
	With 24 V at the input, NC contacts have a logical "1" level, for 0 V at the input, a logical "0" level.				
	This means that an NC/NC contact parameterization of 0 V at both inputs of the F-DI selects the safety function, for 24 V at both inputs, de-selects the safety function.				
	With 24 V at the input, NO contacts have a logical "0" level, for 0 V at the input, a logical "1" level.				
	This means that for an NC/NO contact parameterization, the level 0 V/24 V selects the safety function, the level 24 V/0 V de-selects the safety function.				
	F-DI: Failsafe Digital Input				
	The state of parameter r10151 is delayed by one monitoring clock cycle in relation to r10051.				
	The parameter is only updated in the following cases:				
	- If the Safety Extended Functions are enabled by means of activation via F-DI.				
	- If transfer of the F-DIs via PROFIsafe is enabled (see p9501).				
	In this case only the F-DIs transferred for PROFIsafe are displayed and updated (see p10050/p10150). All F-DIs which have not been transferred have a static zero value.				

r10052.0	CO/BO: SI Motion digital outputs status (processor 1) / SI DO status P1				
	Access level: 3	Calculated: -	Data type: Unsigned32		
	Can be changed: -	Scaling: -	Dyn. index: -		
	Units group: -	Unit selection: -	Func. diagram: -		
	Min	Max	Factory setting		
	-	-	-		
Description:	Displays the status of the digital output of processor 1.				
Bit field:	Bit	Signal name	1 signal	0 signal	FP
	00	F-DO 0 processor 1	High	Low	2853
Note:	F-DO: Failsafe Digital Output				

p10101	SI Motion delay time for test stop at DO (processor 2) / SI t_delay DO P2			
	Access level: 3	Calculated: -	Data type: FloatingPoint32	
	Can be changed: C(95)	Scaling: -	Dyn. index: -	
	Units group: -	Unit selection: -	Func. diagram: -	
	Min	Max	Factory setting	
	4.00 [ms]	2000.00 [ms]	500.00 [ms]	
Description:	Sets the delay time for testing the digital output.			
	Within this time, for a forced checking procedure of the digital output, the signal must have been detected via the corresponding readback input (p10047).			
Dependency:	Refer to: p10003, p10007, p10046			

2 Parameters

2.2 List of parameters

Note: The delay time must be set to a value greater than the debounce time (p10017).
Regardless of p10001, the forced checking procedure will pause for at least two safety monitoring clock cycles between each stage of the test.
The test stop is only performed if the safety output is being used (p10142). The set time is rounded internally to an integer multiple of the TM54F sampling time (r10015).

p10102	SI Motion F-DI changeover discrepancy time (processor 2) / SI Mtn F-DI t P2	
Access level: 3	Calculated: -	Data type: FloatingPoint32
Can be changed: C(95)	Scaling: -	Dyn. index: -
Units group: -	Unit selection: -	Func. diagram: 2850, 2851
Min	Max	Factory setting
1.00 [ms]	2000.00 [ms]	500.00 [ms]

Description: Sets the discrepancy time for digital inputs.
The signal states at the two associated digital inputs (F-DI) must assume the same state within this discrepancy time.

Dependency: Refer to: p10002

Note: F-DI: Failsafe Digital Input

p10106	SI Motion acknowledgement internal event F-DI (processor 2) / SI ackn int evt P2	
Access level: 3	Calculated: -	Data type: Integer16
Can be changed: C(95)	Scaling: -	Dyn. index: -
Units group: -	Unit selection: -	Func. diagram: -
Min	Max	Factory setting
0	255	0

Description: Select a fail-safe digital input for the signal "acknowledge internal event" (internal fault).
The falling edge at this input resets the status "internal event" in the drives.

Value: 0: Statically active
1: F-DI 0
2: F-DI 1
3: F-DI 2
255: Statically inactive

Dependency: Refer to: p10006

Note: The values "static active" and "static inactive" result in an inactive function of the safe acknowledgment.
F-DI: Failsafe Digital Input

p10117	SI Motion digital inputs debounce time (processor 2) / SI DI t_debounceP2	
Access level: 3	Calculated: -	Data type: FloatingPoint32
Can be changed: C(95)	Scaling: -	Dyn. index: -
Units group: -	Unit selection: -	Func. diagram: -
Min	Max	Factory setting
0.00 [ms]	100.00 [ms]	1.00 [ms]

Description: Sets the debounce time for digital inputs.
The debounce time acts on the following digital inputs:
- Fail-safe digital inputs (F-DI).
- Single-channel digital input 2 (DI 2, read back input for the forced checking procedure).
The debounce time is accepted rounded off to whole milliseconds.

Dependency: Refer to: p10017

Note: Example:
Debounce time = 1 ms: Fault pulses of 1 ms are filtered; only pulses longer than 2 ms are processed.
Debounce time = 3 ms: Fault pulses of 3 ms are filtered; only pulses longer than 4 ms are processed.
The debounce result can be read in r10151.

p10122	SI Motion STO input terminal (processor 2) / SI STO F-DI P2		
	Access level: 3	Calculated: -	Data type: Integer16
	Can be changed: C(95)	Scaling: -	Dyn. index: -
	Units group: -	Unit selection: -	Func. diagram: -
	Min	Max	Factory setting
	0	255	0
Description:	Sets the fail-safe digital input (F-DI) for the "STO" function.		
Value:	0: Statically active 1: F-DI 0 2: F-DI 1 3: F-DI 2 255: Statically inactive		
Dependency:	Refer to: p10022		
Note:	If value = 0: No terminal assigned, safety function always active. If value = 255: No terminal assigned, safety function always inactive. F-DI: Failsafe Digital Input STO: Safe Torque Off		

p10123	SI Motion SS1 input terminal (processor 2) / SI SS1 F-DI P2		
	Access level: 3	Calculated: -	Data type: Integer16
	Can be changed: C(95)	Scaling: -	Dyn. index: -
	Units group: -	Unit selection: -	Func. diagram: -
	Min	Max	Factory setting
	0	255	0
Description:	Sets the fail-safe digital input (F-DI) for the "SS1" function.		
Value:	0: Statically active 1: F-DI 0 2: F-DI 1 3: F-DI 2 255: Statically inactive		
Dependency:	Refer to: p10023		
Note:	If value = 0: No terminal assigned, safety function always active. If value = 255: No terminal assigned, safety function always inactive. F-DI: Failsafe Digital Input SS1: Safe Stop 1		

p10126	SI Motion SLS input terminal (processor 2) / SI SLS F-DI P2		
	Access level: 3	Calculated: -	Data type: Integer16
	Can be changed: C(95)	Scaling: -	Dyn. index: -
	Units group: -	Unit selection: -	Func. diagram: -
	Min	Max	Factory setting
	0	255	0
Description:	Sets the fail-safe digital input (F-DI) for the "SLS" function.		
Value:	0: Statically active 1: F-DI 0 2: F-DI 1 3: F-DI 2 255: Statically inactive		
Dependency:	Refer to: p10026		
Note:	If value = 0: No terminal assigned, safety function always active.		

If value = 255:
 No terminal assigned, safety function always inactive.
 F-DI: Failsafe Digital Input
 SLS: Safely-Limited Speed

p10130	SI Motion SDI positive input terminal (processor 2) / SI SDI pos F-DI P2		
	Access level: 3	Calculated: -	Data type: Integer16
	Can be changed: C(95)	Scaling: -	Dyn. index: -
	Units group: -	Unit selection: -	Func. diagram: -
	Min	Max	Factory setting
	0	255	0
Description:	Sets the fail-safe digital input (F-DI) for the "SDI positive" function.		
Value:	0: Statically active 1: F-DI 0 2: F-DI 1 3: F-DI 2 255: Statically inactive		
Note:	If value = 0: No terminal assigned, safety function always active. If value = 255: No terminal assigned, safety function always inactive. F-DI: Failsafe Digital Input SDI: Safe Direction (safe motion direction)		

p10131	SI Motion SDI negative input terminal (processor 2) / SI SDI neg F-DI P2		
	Access level: 3	Calculated: -	Data type: Integer16
	Can be changed: C(95)	Scaling: -	Dyn. index: -
	Units group: -	Unit selection: -	Func. diagram: -
	Min	Max	Factory setting
	0	255	0
Description:	Sets the fail-safe digital input (F-DI) for the "SDI negative" function.		
Value:	0: Statically active 1: F-DI 0 2: F-DI 1 3: F-DI 2 255: Statically inactive		
Note:	If value = 0: No terminal assigned, safety function always active. If value = 255: No terminal assigned, safety function always inactive. F-DI: Failsafe Digital Input SDI: Safe Direction (safe motion direction)		

p10139	SI Motion Safe State signal selection (processor 2) / SI Safe State P2				
	Access level: 3	Calculated: -	Data type: Unsigned32		
	Can be changed: C(95)	Scaling: -	Dyn. index: -		
	Units group: -	Unit selection: -	Func. diagram: 2856		
	Min	Max	Factory setting		
	-	-	0000 0001 bin		
Description:	Selects the individual signals that should be logically combined to create "Safe State".				
Bit field:	Bit	Signal name	1 signal	0 signal	FP
	00	Power_removed	Selected	Not selected	-
	01	SS1_active	Selected	Not selected	-
	04	SLS_active	Selected	Not selected	-
	05	SDI_pos_active	Selected	Not selected	-
	06	SDI_neg_active	Selected	Not selected	-

p10142[0...5]	SI Motion F-DO signal sources (processor 2) / SI F-DO S_src P2		
	Access level: 3	Calculated: -	Data type: Integer16
	Can be changed: C(95)	Scaling: -	Dyn. index: -
	Units group: -	Unit selection: -	Func. diagram: 2857
	Min	Max	Factory setting
	0	13	0

Description: Sets the signal sources for F-DO 0
The 6 signal sources in p10142[0...5] are AND'ed and the result is output at F-DO 0.

Value:

- 0: No function
- 1: STO active
- 2: SS1 active
- 5: SLS active
- 6: SSM feedback signal active
- 7: Safe state
- 9: Internal event
- 12: SDI positive active
- 13: SDI negative active

Index:

- [0] = AND logic operation input 1
- [1] = AND logic operation input 2
- [2] = AND logic operation input 3
- [3] = AND logic operation input 4
- [4] = AND logic operation input 5
- [5] = AND logic operation input 6

Note: F-DO: Failsafe Digital Output

p10146	SI Motion test sensor feedback signal (processor 2) / SI test sens FS P2		
	Access level: 3	Calculated: -	Data type: Unsigned32
	Can be changed: C(95)	Scaling: -	Dyn. index: -
	Units group: -	Unit selection: -	Func. diagram: 2848
	Min	Max	Factory setting
	-	-	0000 bin

Description: Sets the test of the feedback line for forced checking procedure.

Bit field:	Bit	Signal name	1 signal	0 signal	FP
	00	Test F-DO 0	Test active	No test	-

Note: F-DO: Failsafe Digital Output

p10147	SI Motion F-DO test stop mode (processor 2) / SI F-DO testmodeP2		
	Access level: 3	Calculated: -	Data type: Integer16
	Can be changed: C(95)	Scaling: -	Dyn. index: -
	Units group: -	Unit selection: -	Func. diagram: -
	Min	Max	Factory setting
	1	3	2

Description: Sets the test stop mode for the safety digital output (F-DO)

Value:

- 1: Test mode 1 evaluation of int. diagnostic signal (passive load)
- 2: Test mode 2 read back F-DO in DI (relay circuit)
- 3: Test mode 3 read back F-DO in DI (actuator with feedback signal)

Dependency: Refer to: p10001, p10003, p10007, p10046

r10149	SI Motion F-DI monitoring status (processor 2) / SI F-DI status P2				
	Access level: 3	Calculated: -	Data type: Unsigned32		
	Can be changed: -	Scaling: -	Dyn. index: -		
	Units group: -	Unit selection: -	Func. diagram: -		
	Min	Max	Factory setting		
	-	-	-		
Description:	<p>Displays the monitoring status of the fail-safe digital inputs (F-DI). The F-DIs that are being used by the Safety Integrated functions are displayed. If the module used has fewer than 3 F-DIs, "Freely available" is displayed for the F-DIs which are not in use.</p>				
Bit field:	Bit	Signal name	1 signal	0 signal	FP
	00	F-DI 0	Safety monitored	Freely available	-
	01	F-DI 1	Safety monitored	Freely available	-
	02	F-DI 2	Safety monitored	Freely available	-
Dependency:	p10006 / p10106 p10022 / p10122 p10023 / p10123 p10026 / p10126 p10030 / p10130 p10031 / p10131 p10050 / p10150 Refer to: r10049				

p10150	SI Motion PROFIsafe F-DI transfer (processor 2) / SI Ps F-DI tran P2				
	Access level: 3	Calculated: -	Data type: Unsigned32		
	Can be changed: C(95)	Scaling: -	Dyn. index: -		
	Units group: -	Unit selection: -	Func. diagram: -		
	Min	Max	Factory setting		
	-	-	0000 bin		
Description:	<p>Setting for the transfer and evaluation of failsafe digital inputs (F-DI) via PROFIsafe. The safe state of the selected F-DIs is transferred to the F-control via PROFIsafe. The F-DIs are monitored for discrepancies. Discrepancy faults can be acknowledged via PROFIsafe.</p>				
Bit field:	Bit	Signal name	1 signal	0 signal	FP
	00	F-DI 0 processor 2	Transfer	No transfer	-
	01	F-DI 1 processor 2	Transfer	No transfer	-
	02	F-DI 2 processor 2	Transfer	No transfer	-
Dependency:	Refer to: p10050				
Note:	F-DI: Failsafe Digital Input				

r10151.0...2	CO/BO: SI Motion digital inputs status (processor 2) / SI DI status P2				
	Access level: 3	Calculated: -	Data type: Unsigned32		
	Can be changed: -	Scaling: -	Dyn. index: -		
	Units group: -	Unit selection: -	Func. diagram: -		
	Min	Max	Factory setting		
	-	-	-		
Description:	<p>Display and BICO output for the single-channel, logical and debounced status of the fail-safe digital inputs (F-DI). The parameter is updated in the SI Motion monitoring clock cycle.</p>				
Bit field:	Bit	Signal name	1 signal	0 signal	FP
	00	F-DI 0 processor 2	High	Low	-
	01	F-DI 1 processor 2	High	Low	-
	02	F-DI 2 processor 2	High	Low	-
Dependency:	Refer to: p9501, p9601, p10117, p10150				
Note:	If a safety function is assigned to an input (e.g. via p10122), then the following applies: - logical "0": Safety function is selected - logical "1": Safety function is de-selected				

The interrelationship between the logical level and the external voltage level at the input depends on the parameterization (refer to p10140) of the input as either NC or NO contact and is aligned to the use of a safety function:

With 24 V at the input, NC contacts have a logical "1" level, for 0 V at the input, a logical "0" level.

This means that an NC/NC contact parameterization of 0 V at both inputs of the F-DI selects the safety function, for 24 V at both inputs, de-selects the safety function.

With 24 V at the input, NO contacts have a logical "0" level, for 0 V at the input, a logical "1" level.

This means that for an NC/NO contact parameterization, the level 0 V/24 V selects the safety function, the level 24 V/0 V de-selects the safety function.

The state of parameter r10151 is delayed by one monitoring clock cycle in relation to r10051.

The parameter is only updated in the following cases:

- If the Safety Extended Functions are enabled by means of activation via F-DI.
- If transfer of the F-DIs via PROFIsafe is enabled (see p9501).

In this case only the F-DIs transferred for PROFIsafe are displayed and updated (see p10050/p10150). All F-DIs which have not been transferred have a static zero value.

F-DI: Failsafe Digital Input

r10152.0**CO/BO: SI Motion digital outputs status (processor 2) / SI DO status P2**

Access level: 3	Calculated: -	Data type: Unsigned32
Can be changed: -	Scaling: -	Dyn. index: -
Units group: -	Unit selection: -	Func. diagram: -
Min	Max	Factory setting
-	-	-

Description: Displays the status of the digital output of processor 2.

Bit field:	Bit	Signal name	1 signal	0 signal	FP
	00	F-DO 0 processor 2	High	Low	2853

Note: F-DO: Failsafe Digital Output

r20001[0...9]**Run-time group sampling time / RTG sampling time**

CU250S_V (FBLOCKS)	Access level: 3	Calculated: -	Data type: FloatingPoint32
CU250S_V_CAN (FBLOCKS)	Can be changed: -	Scaling: -	Dyn. index: -
CU250S_V_DP (FBLOCKS)	Units group: -	Unit selection: -	Func. diagram: -
CU250S_V_PN (FBLOCKS)	Min	Max	Factory setting
	- [ms]	- [ms]	- [ms]

Description: Displays the current sampling time of the run-time group 0 to 9.

Index:

[0]	= Run-time group 0
[1]	= Run-time group 1
[2]	= Run-time group 2
[3]	= Run-time group 3
[4]	= Run-time group 4
[5]	= Run-time group 5
[6]	= Run-time group 6
[7]	= Run-time group 7
[8]	= Run-time group 8
[9]	= Run-time group 9

2 Parameters

2.2 List of parameters

p20030[0...3]	BI: AND 0 inputs / AND 0 inputs		
CU250S_V (FBLOCKS)	Access level: 3	Calculated: -	Data type: U32 / Binary
CU250S_V_CAN (FBLOCKS)	Can be changed: T	Scaling: -	Dyn. index: -
CU250S_V_DP (FBLOCKS)	Units group: -	Unit selection: -	Func. diagram: 7210
CU250S_V_PN (FBLOCKS)	Min	Max	Factory setting
	-	-	0
Description:	Sets the signal source of input quantities I0, I1, I2, I3 of instance AND 0 of the AND function block.		
Index:	[0] = Input I0 [1] = Input I1 [2] = Input I2 [3] = Input I3		
r20031	BO: AND 0 output Q / AND 0 output Q		
CU250S_V (FBLOCKS)	Access level: 3	Calculated: -	Data type: Unsigned32
CU250S_V_CAN (FBLOCKS)	Can be changed: -	Scaling: -	Dyn. index: -
CU250S_V_DP (FBLOCKS)	Units group: -	Unit selection: -	Func. diagram: 7210
CU250S_V_PN (FBLOCKS)	Min	Max	Factory setting
	-	-	-
Description:	Display parameter for binary quantity Q = I0 & I1 & I2 & I3 of instance AND 0 of the AND function block.		
p20032	AND 0 run-time group / AND 0 RTG		
CU250S_V (FBLOCKS)	Access level: 3	Calculated: -	Data type: Integer16
CU250S_V_CAN (FBLOCKS)	Can be changed: T	Scaling: -	Dyn. index: -
CU250S_V_DP (FBLOCKS)	Units group: -	Unit selection: -	Func. diagram: 7210
CU250S_V_PN (FBLOCKS)	Min	Max	Factory setting
	1	9999	9999
Description:	Setting parameter for the run-time group in which the instance AND 0 of the AND function block is to be called.		
Value:	1: Run-time group 1 2: Run-time group 2 3: Run-time group 3 4: Run-time group 4 5: Run-time group 5 6: Run-time group 6 9999: Do not calculate		
p20033	AND 0 run sequence / AND 0 RunSeq		
CU250S_V (FBLOCKS)	Access level: 3	Calculated: -	Data type: Unsigned16
CU250S_V_CAN (FBLOCKS)	Can be changed: T	Scaling: -	Dyn. index: -
CU250S_V_DP (FBLOCKS)	Units group: -	Unit selection: -	Func. diagram: 7210
CU250S_V_PN (FBLOCKS)	Min	Max	Factory setting
	0	32000	10
Description:	Setting parameter for the run sequence of instance AND 0 within the run-time group set in p20032.		
Note:	The function blocks with a lower run sequence value are calculated before function blocks with a higher run sequence value.		

p20034[0...3]	BI: AND 1 inputs / AND 1 inputs		
CU250S_V (FBLOCKS)	Access level: 3	Calculated: -	Data type: U32 / Binary
CU250S_V_CAN (FBLOCKS)	Can be changed: T	Scaling: -	Dyn. index: -
CU250S_V_DP (FBLOCKS)	Units group: -	Unit selection: -	Func. diagram: 7210
CU250S_V_PN (FBLOCKS)	Min	Max	Factory setting
	-	-	0
Description:	Sets the signal source of input quantities I0, I1, I2, I3 of instance AND 1 of the AND function block.		
Index:	[0] = Input I0 [1] = Input I1 [2] = Input I2 [3] = Input I3		
r20035	BO: AND 1 output Q / AND 1 output Q		
CU250S_V (FBLOCKS)	Access level: 3	Calculated: -	Data type: Unsigned32
CU250S_V_CAN (FBLOCKS)	Can be changed: -	Scaling: -	Dyn. index: -
CU250S_V_DP (FBLOCKS)	Units group: -	Unit selection: -	Func. diagram: 7210
CU250S_V_PN (FBLOCKS)	Min	Max	Factory setting
	-	-	-
Description:	Display parameter for binary quantity Q = I0 & I1 & I2 & I3 of instance AND 1 of the AND function block.		
p20036	AND 1 run-time group / AND 1 RTG		
CU250S_V (FBLOCKS)	Access level: 3	Calculated: -	Data type: Integer16
CU250S_V_CAN (FBLOCKS)	Can be changed: T	Scaling: -	Dyn. index: -
CU250S_V_DP (FBLOCKS)	Units group: -	Unit selection: -	Func. diagram: 7210
CU250S_V_PN (FBLOCKS)	Min	Max	Factory setting
	1	9999	9999
Description:	Setting parameter for the run-time group in which the instance AND 1 of the AND function block is to be called.		
Value:	1: Run-time group 1 2: Run-time group 2 3: Run-time group 3 4: Run-time group 4 5: Run-time group 5 6: Run-time group 6 9999: Do not calculate		
p20037	AND 1 run sequence / AND 1 RunSeq		
CU250S_V (FBLOCKS)	Access level: 3	Calculated: -	Data type: Unsigned16
CU250S_V_CAN (FBLOCKS)	Can be changed: T	Scaling: -	Dyn. index: -
CU250S_V_DP (FBLOCKS)	Units group: -	Unit selection: -	Func. diagram: 7210
CU250S_V_PN (FBLOCKS)	Min	Max	Factory setting
	0	32000	20
Description:	Setting parameter for the run sequence of instance AND 1 within the run-time group set in p20036.		
Note:	The function blocks with a lower run sequence value are calculated before function blocks with a higher run sequence value.		

2 Parameters

2.2 List of parameters

p20038[0...3]	BI: AND 2 inputs / AND 2 inputs		
CU250S_V (FBLOCKS)	Access level: 3	Calculated: -	Data type: U32 / Binary
CU250S_V_CAN (FBLOCKS)	Can be changed: T	Scaling: -	Dyn. index: -
CU250S_V_DP (FBLOCKS)	Units group: -	Unit selection: -	Func. diagram: 7210
CU250S_V_PN (FBLOCKS)	Min	Max	Factory setting
	-	-	0
Description:	Sets the signal source of input quantities I0, I1, I2, I3 of instance AND 2 of the AND function block.		
Index:	[0] = Input I0 [1] = Input I1 [2] = Input I2 [3] = Input I3		
r20039	BO: AND 2 output Q / AND 2 output Q		
CU250S_V (FBLOCKS)	Access level: 3	Calculated: -	Data type: Unsigned32
CU250S_V_CAN (FBLOCKS)	Can be changed: -	Scaling: -	Dyn. index: -
CU250S_V_DP (FBLOCKS)	Units group: -	Unit selection: -	Func. diagram: 7210
CU250S_V_PN (FBLOCKS)	Min	Max	Factory setting
	-	-	-
Description:	Display parameter for binary quantity Q = I0 & I1 & I2 & I3 of instance AND 2 of the AND function block.		
p20040	AND 2 run-time group / AND 2 RTG		
CU250S_V (FBLOCKS)	Access level: 3	Calculated: -	Data type: Integer16
CU250S_V_CAN (FBLOCKS)	Can be changed: T	Scaling: -	Dyn. index: -
CU250S_V_DP (FBLOCKS)	Units group: -	Unit selection: -	Func. diagram: 7210
CU250S_V_PN (FBLOCKS)	Min	Max	Factory setting
	1	9999	9999
Description:	Setting parameter for the run-time group in which the instance AND 2 of the AND function block is to be called.		
Value:	1: Run-time group 1 2: Run-time group 2 3: Run-time group 3 4: Run-time group 4 5: Run-time group 5 6: Run-time group 6 9999: Do not calculate		
p20041	AND 2 run sequence / AND 2 RunSeq		
CU250S_V (FBLOCKS)	Access level: 3	Calculated: -	Data type: Unsigned16
CU250S_V_CAN (FBLOCKS)	Can be changed: T	Scaling: -	Dyn. index: -
CU250S_V_DP (FBLOCKS)	Units group: -	Unit selection: -	Func. diagram: 2710
CU250S_V_PN (FBLOCKS)	Min	Max	Factory setting
	0	32000	30
Description:	Setting parameter for the run sequence of instance AND 2 within the run-time group set in p20040.		
Note:	The function blocks with a lower run sequence value are calculated before function blocks with a higher run sequence value.		

p20042[0...3]	BI: AND 3 inputs / AND 3 inputs		
CU250S_V (FBLOCKS)	Access level: 3	Calculated: -	Data type: U32 / Binary
CU250S_V_CAN (FBLOCKS)	Can be changed: T	Scaling: -	Dyn. index: -
CU250S_V_DP (FBLOCKS)	Units group: -	Unit selection: -	Func. diagram: 7210
CU250S_V_PN (FBLOCKS)	Min	Max	Factory setting
	-	-	0
Description:	Sets the signal source of input quantities I0, I1, I2, I3 of instance AND 3 of the AND function block.		
Index:	[0] = Input I0 [1] = Input I1 [2] = Input I2 [3] = Input I3		
r20043	BO: AND 3 output Q / AND 3 output Q		
CU250S_V (FBLOCKS)	Access level: 3	Calculated: -	Data type: Unsigned32
CU250S_V_CAN (FBLOCKS)	Can be changed: -	Scaling: -	Dyn. index: -
CU250S_V_DP (FBLOCKS)	Units group: -	Unit selection: -	Func. diagram: 7210
CU250S_V_PN (FBLOCKS)	Min	Max	Factory setting
	-	-	-
Description:	Display parameter for binary quantity Q = I0 & I1 & I2 & I3 of instance AND 3 of the AND function block.		
p20044	AND 3 run-time group / AND 3 RTG		
CU250S_V (FBLOCKS)	Access level: 3	Calculated: -	Data type: Integer16
CU250S_V_CAN (FBLOCKS)	Can be changed: T	Scaling: -	Dyn. index: -
CU250S_V_DP (FBLOCKS)	Units group: -	Unit selection: -	Func. diagram: 7210
CU250S_V_PN (FBLOCKS)	Min	Max	Factory setting
	1	9999	9999
Description:	Setting parameter for the run-time group in which the instance AND 3 of the AND function block is to be called.		
Value:	1: Run-time group 1 2: Run-time group 2 3: Run-time group 3 4: Run-time group 4 5: Run-time group 5 6: Run-time group 6 9999: Do not calculate		
p20045	AND 3 run sequence / AND 3 RunSeq		
CU250S_V (FBLOCKS)	Access level: 3	Calculated: -	Data type: Unsigned16
CU250S_V_CAN (FBLOCKS)	Can be changed: T	Scaling: -	Dyn. index: -
CU250S_V_DP (FBLOCKS)	Units group: -	Unit selection: -	Func. diagram: 7210
CU250S_V_PN (FBLOCKS)	Min	Max	Factory setting
	0	32000	40
Description:	Setting parameter for the run sequence of instance AND 3 within the run-time group set in p20044.		
Note:	The function blocks with a lower run sequence value are calculated before function blocks with a higher run sequence value.		

2 Parameters

2.2 List of parameters

p20046[0...3]	BI: OR 0 inputs / OR 0 inputs		
CU250S_V (FBLOCKS)	Access level: 3	Calculated: -	Data type: U32 / Binary
CU250S_V_CAN (FBLOCKS)	Can be changed: T	Scaling: -	Dyn. index: -
CU250S_V_DP (FBLOCKS)	Units group: -	Unit selection: -	Func. diagram: 7212
CU250S_V_PN (FBLOCKS)	Min	Max	Factory setting
	-	-	0
Description:	Sets the signal source of input quantities I0, I1, I2, I3 of instance OR 0 of the OR function block.		
Index:	[0] = Input I0 [1] = Input I1 [2] = Input I2 [3] = Input I3		
r20047	BO: OR 0 output Q / OR 0 output Q		
CU250S_V (FBLOCKS)	Access level: 3	Calculated: -	Data type: Unsigned32
CU250S_V_CAN (FBLOCKS)	Can be changed: -	Scaling: -	Dyn. index: -
CU250S_V_DP (FBLOCKS)	Units group: -	Unit selection: -	Func. diagram: 7212
CU250S_V_PN (FBLOCKS)	Min	Max	Factory setting
	-	-	-
Description:	Display parameter for binary quantity Q = I0 I1 I2 I3 of instance OR 0 of the OR function block.		
p20048	OR 0 run-time group / OR 0 RTG		
CU250S_V (FBLOCKS)	Access level: 3	Calculated: -	Data type: Integer16
CU250S_V_CAN (FBLOCKS)	Can be changed: T	Scaling: -	Dyn. index: -
CU250S_V_DP (FBLOCKS)	Units group: -	Unit selection: -	Func. diagram: 7212
CU250S_V_PN (FBLOCKS)	Min	Max	Factory setting
	1	9999	9999
Description:	Setting parameter for the run-time group in which the instance OR 0 of the OR function block is to be called.		
Value:	1: Run-time group 1 2: Run-time group 2 3: Run-time group 3 4: Run-time group 4 5: Run-time group 5 6: Run-time group 6 9999: Do not calculate		
p20049	OR 0 run sequence / OR 0 RunSeq		
CU250S_V (FBLOCKS)	Access level: 3	Calculated: -	Data type: Unsigned16
CU250S_V_CAN (FBLOCKS)	Can be changed: T	Scaling: -	Dyn. index: -
CU250S_V_DP (FBLOCKS)	Units group: -	Unit selection: -	Func. diagram: 7212
CU250S_V_PN (FBLOCKS)	Min	Max	Factory setting
	0	32000	60
Description:	Setting parameter for the run sequence of instance OR 0 within the run-time group set in p20048.		
Note:	The function blocks with a lower run sequence value are calculated before function blocks with a higher run sequence value.		

p20050[0...3]	BI: OR 1 inputs / OR 1 inputs		
CU250S_V (FBLOCKS)	Access level: 3	Calculated: -	Data type: U32 / Binary
CU250S_V_CAN (FBLOCKS)	Can be changed: T	Scaling: -	Dyn. index: -
CU250S_V_DP (FBLOCKS)	Units group: -	Unit selection: -	Func. diagram: 7212
CU250S_V_PN (FBLOCKS)	Min	Max	Factory setting
	-	-	0
Description:	Sets the signal source of input quantities I0, I1, I2, I3 of instance OR 1 of the OR function block.		
Index:	[0] = Input I0 [1] = Input I1 [2] = Input I2 [3] = Input I3		
r20051	BO: OR 1 output Q / OR 1 output Q		
CU250S_V (FBLOCKS)	Access level: 3	Calculated: -	Data type: Unsigned32
CU250S_V_CAN (FBLOCKS)	Can be changed: -	Scaling: -	Dyn. index: -
CU250S_V_DP (FBLOCKS)	Units group: -	Unit selection: -	Func. diagram: 7212
CU250S_V_PN (FBLOCKS)	Min	Max	Factory setting
	-	-	-
Description:	Display parameter for binary quantity Q = I0 I1 I2 I3 of instance OR 1 of the OR function block.		
p20052	OR 1 run-time group / OR 1 RTG		
CU250S_V (FBLOCKS)	Access level: 3	Calculated: -	Data type: Integer16
CU250S_V_CAN (FBLOCKS)	Can be changed: T	Scaling: -	Dyn. index: -
CU250S_V_DP (FBLOCKS)	Units group: -	Unit selection: -	Func. diagram: 7212
CU250S_V_PN (FBLOCKS)	Min	Max	Factory setting
	1	9999	9999
Description:	Setting parameter for the run-time group in which the instance OR 1 of the OR function block is to be called.		
Value:	1: Run-time group 1 2: Run-time group 2 3: Run-time group 3 4: Run-time group 4 5: Run-time group 5 6: Run-time group 6 9999: Do not calculate		
p20053	OR 1 run sequence / OR 1 RunSeq		
CU250S_V (FBLOCKS)	Access level: 3	Calculated: -	Data type: Unsigned16
CU250S_V_CAN (FBLOCKS)	Can be changed: T	Scaling: -	Dyn. index: -
CU250S_V_DP (FBLOCKS)	Units group: -	Unit selection: -	Func. diagram: 7212
CU250S_V_PN (FBLOCKS)	Min	Max	Factory setting
	0	32000	70
Description:	Setting parameter for the run sequence of instance OR 1 within the run-time group set in p20052.		
Note:	The function blocks with a lower run sequence value are calculated before function blocks with a higher run sequence value.		

2 Parameters

2.2 List of parameters

p20054[0...3]	BI: OR 2 inputs / OR 2 inputs		
CU250S_V (FBLOCKS)	Access level: 3	Calculated: -	Data type: U32 / Binary
CU250S_V_CAN (FBLOCKS)	Can be changed: T	Scaling: -	Dyn. index: -
CU250S_V_DP (FBLOCKS)	Units group: -	Unit selection: -	Func. diagram: 7212
CU250S_V_PN (FBLOCKS)	Min	Max	Factory setting
	-	-	0
Description:	Sets the signal source of input quantities I0, I1, I2, I3 of instance OR 2 of the OR function block.		
Index:	[0] = Input I0 [1] = Input I1 [2] = Input I2 [3] = Input I3		

r20055	BO: OR 2 output Q / OR 2 output Q		
CU250S_V (FBLOCKS)	Access level: 3	Calculated: -	Data type: Unsigned32
CU250S_V_CAN (FBLOCKS)	Can be changed: -	Scaling: -	Dyn. index: -
CU250S_V_DP (FBLOCKS)	Units group: -	Unit selection: -	Func. diagram: 7212
CU250S_V_PN (FBLOCKS)	Min	Max	Factory setting
	-	-	-
Description:	Display parameter for binary quantity Q = I0 I1 I2 I3 of instance OR 2 of the OR function block.		

p20056	OR 2 run-time group / OR 2 RTG		
CU250S_V (FBLOCKS)	Access level: 3	Calculated: -	Data type: Integer16
CU250S_V_CAN (FBLOCKS)	Can be changed: T	Scaling: -	Dyn. index: -
CU250S_V_DP (FBLOCKS)	Units group: -	Unit selection: -	Func. diagram: 7212
CU250S_V_PN (FBLOCKS)	Min	Max	Factory setting
	1	9999	9999
Description:	Setting parameter for the run-time group in which the instance OR 2 of the OR function block is to be called.		
Value:	1: Run-time group 1 2: Run-time group 2 3: Run-time group 3 4: Run-time group 4 5: Run-time group 5 6: Run-time group 6 9999: Do not calculate		

p20057	OR 2 run sequence / OR 2 RunSeq		
CU250S_V (FBLOCKS)	Access level: 3	Calculated: -	Data type: Unsigned16
CU250S_V_CAN (FBLOCKS)	Can be changed: T	Scaling: -	Dyn. index: -
CU250S_V_DP (FBLOCKS)	Units group: -	Unit selection: -	Func. diagram: 7212
CU250S_V_PN (FBLOCKS)	Min	Max	Factory setting
	0	32000	80
Description:	Setting parameter for the run sequence of instance OR 2 within the run-time group set in p20056.		
Note:	The function blocks with a lower run sequence value are calculated before function blocks with a higher run sequence value.		

p20058[0...3]	BI: OR 3 inputs / OR 3 inputs		
CU250S_V (FBLOCKS)	Access level: 3	Calculated: -	Data type: U32 / Binary
CU250S_V_CAN (FBLOCKS)	Can be changed: T	Scaling: -	Dyn. index: -
CU250S_V_DP (FBLOCKS)	Units group: -	Unit selection: -	Func. diagram: 7212
CU250S_V_PN (FBLOCKS)	Min	Max	Factory setting
	-	-	0
Description:	Sets the signal source of input quantities I0, I1, I2, I3 of instance OR 3 of the OR function block.		
Index:	[0] = Input I0 [1] = Input I1 [2] = Input I2 [3] = Input I3		
r20059	BO: OR 3 output Q / OR 3 output Q		
CU250S_V (FBLOCKS)	Access level: 3	Calculated: -	Data type: Unsigned32
CU250S_V_CAN (FBLOCKS)	Can be changed: -	Scaling: -	Dyn. index: -
CU250S_V_DP (FBLOCKS)	Units group: -	Unit selection: -	Func. diagram: 7212
CU250S_V_PN (FBLOCKS)	Min	Max	Factory setting
	-	-	-
Description:	Display parameter for binary quantity Q = I0 I1 I2 I3 of instance OR 3 of the OR function block.		
p20060	OR 3 run-time group / OR 3 RTG		
CU250S_V (FBLOCKS)	Access level: 3	Calculated: -	Data type: Integer16
CU250S_V_CAN (FBLOCKS)	Can be changed: T	Scaling: -	Dyn. index: -
CU250S_V_DP (FBLOCKS)	Units group: -	Unit selection: -	Func. diagram: 7212
CU250S_V_PN (FBLOCKS)	Min	Max	Factory setting
	1	9999	9999
Description:	Setting parameter for the run-time group in which the instance OR 3 of the OR function block is to be called.		
Value:	1: Run-time group 1 2: Run-time group 2 3: Run-time group 3 4: Run-time group 4 5: Run-time group 5 6: Run-time group 6 9999: Do not calculate		
p20061	OR 3 run sequence / OR 3 RunSeq		
CU250S_V (FBLOCKS)	Access level: 3	Calculated: -	Data type: Unsigned16
CU250S_V_CAN (FBLOCKS)	Can be changed: T	Scaling: -	Dyn. index: -
CU250S_V_DP (FBLOCKS)	Units group: -	Unit selection: -	Func. diagram: 7212
CU250S_V_PN (FBLOCKS)	Min	Max	Factory setting
	0	32000	90
Description:	Setting parameter for the run sequence of instance OR 3 within the run-time group set in p20060.		
Note:	The function blocks with a lower run sequence value are calculated before function blocks with a higher run sequence value.		

2 Parameters

2.2 List of parameters

p20062[0...3]	BI: XOR 0 inputs / XOR 0 inputs		
CU250S_V (FBLOCKS)	Access level: 3	Calculated: -	Data type: U32 / Binary
CU250S_V_CAN (FBLOCKS)	Can be changed: T	Scaling: -	Dyn. index: -
CU250S_V_DP (FBLOCKS)	Units group: -	Unit selection: -	Func. diagram: 7214
CU250S_V_PN (FBLOCKS)	Min	Max	Factory setting
	-	-	0
Description:	Sets the signal source of input quantities I0, I1, I2, I3 of instance XOR 0 of the XOR function block.		
Index:	[0] = Input I0 [1] = Input I1 [2] = Input I2 [3] = Input I3		
r20063	BO: XOR 0 output Q / XOR 0 output Q		
CU250S_V (FBLOCKS)	Access level: 3	Calculated: -	Data type: Unsigned32
CU250S_V_CAN (FBLOCKS)	Can be changed: -	Scaling: -	Dyn. index: -
CU250S_V_DP (FBLOCKS)	Units group: -	Unit selection: -	Func. diagram: 7214
CU250S_V_PN (FBLOCKS)	Min	Max	Factory setting
	-	-	-
Description:	Display parameter for binary quantity Q of instance XOR 0 of the XOR function block.		
p20064	XOR 0 run-time group / XOR 0 RTG		
CU250S_V (FBLOCKS)	Access level: 3	Calculated: -	Data type: Integer16
CU250S_V_CAN (FBLOCKS)	Can be changed: T	Scaling: -	Dyn. index: -
CU250S_V_DP (FBLOCKS)	Units group: -	Unit selection: -	Func. diagram: 7214
CU250S_V_PN (FBLOCKS)	Min	Max	Factory setting
	1	9999	9999
Description:	Setting parameter for the run-time group in which the instance XOR 0 of the XOR function block is to be called.		
Value:	1: Run-time group 1 2: Run-time group 2 3: Run-time group 3 4: Run-time group 4 5: Run-time group 5 6: Run-time group 6 9999: Do not calculate		
p20065	XOR 0 run sequence / XOR 0 RunSeq		
CU250S_V (FBLOCKS)	Access level: 3	Calculated: -	Data type: Unsigned16
CU250S_V_CAN (FBLOCKS)	Can be changed: T	Scaling: -	Dyn. index: -
CU250S_V_DP (FBLOCKS)	Units group: -	Unit selection: -	Func. diagram: 7214
CU250S_V_PN (FBLOCKS)	Min	Max	Factory setting
	0	32000	110
Description:	Setting parameter for the run sequence of instance XOR 0 within the run-time group set in p20064.		
Note:	The function blocks with a lower run sequence value are calculated before function blocks with a higher run sequence value.		

p20066[0...3]	BI: XOR 1 inputs / XOR 1 inputs		
CU250S_V (FBLOCKS)	Access level: 3	Calculated: -	Data type: U32 / Binary
CU250S_V_CAN (FBLOCKS)	Can be changed: T	Scaling: -	Dyn. index: -
CU250S_V_DP (FBLOCKS)	Units group: -	Unit selection: -	Func. diagram: 7214
CU250S_V_PN (FBLOCKS)	Min	Max	Factory setting
	-	-	0
Description:	Sets the signal source of input quantities I0, I1, I2, I3 of instance XOR 1 of the XOR function block.		
Index:	[0] = Input I0 [1] = Input I1 [2] = Input I2 [3] = Input I3		
r20067	BO: XOR 1 output Q / XOR 1 output Q		
CU250S_V (FBLOCKS)	Access level: 3	Calculated: -	Data type: Unsigned32
CU250S_V_CAN (FBLOCKS)	Can be changed: -	Scaling: -	Dyn. index: -
CU250S_V_DP (FBLOCKS)	Units group: -	Unit selection: -	Func. diagram: 7214
CU250S_V_PN (FBLOCKS)	Min	Max	Factory setting
	-	-	-
Description:	Display parameter for binary quantity Q of instance XOR 1 of the XOR function block.		
p20068	XOR 1 run-time group / XOR 1 RTG		
CU250S_V (FBLOCKS)	Access level: 3	Calculated: -	Data type: Integer16
CU250S_V_CAN (FBLOCKS)	Can be changed: T	Scaling: -	Dyn. index: -
CU250S_V_DP (FBLOCKS)	Units group: -	Unit selection: -	Func. diagram: 7214
CU250S_V_PN (FBLOCKS)	Min	Max	Factory setting
	1	9999	9999
Description:	Setting parameter for the run-time group in which the instance XOR 1 of the XOR function block is to be called.		
Value:	1: Run-time group 1 2: Run-time group 2 3: Run-time group 3 4: Run-time group 4 5: Run-time group 5 6: Run-time group 6 9999: Do not calculate		
p20069	XOR 1 run sequence / XOR 1 RunSeq		
CU250S_V (FBLOCKS)	Access level: 3	Calculated: -	Data type: Unsigned16
CU250S_V_CAN (FBLOCKS)	Can be changed: T	Scaling: -	Dyn. index: -
CU250S_V_DP (FBLOCKS)	Units group: -	Unit selection: -	Func. diagram: 7214
CU250S_V_PN (FBLOCKS)	Min	Max	Factory setting
	0	32000	120
Description:	Setting parameter for the run sequence of instance XOR 1 within the run-time group set in p20068.		
Note:	The function blocks with a lower run sequence value are calculated before function blocks with a higher run sequence value.		

2 Parameters

2.2 List of parameters

p20070[0...3]	BI: XOR 2 inputs / XOR 2 inputs		
CU250S_V (FBLOCKS)	Access level: 3	Calculated: -	Data type: U32 / Binary
CU250S_V_CAN (FBLOCKS)	Can be changed: T	Scaling: -	Dyn. index: -
CU250S_V_DP (FBLOCKS)	Units group: -	Unit selection: -	Func. diagram: 7214
CU250S_V_PN (FBLOCKS)	Min	Max	Factory setting
	-	-	0
Description:	Sets the signal source of input quantities I0, I1, I2, I3 of instance XOR 2 of the XOR function block.		
Index:	[0] = Input I0 [1] = Input I1 [2] = Input I2 [3] = Input I3		
r20071	BO: XOR 2 output Q / XOR 2 output Q		
CU250S_V (FBLOCKS)	Access level: 3	Calculated: -	Data type: Unsigned32
CU250S_V_CAN (FBLOCKS)	Can be changed: -	Scaling: -	Dyn. index: -
CU250S_V_DP (FBLOCKS)	Units group: -	Unit selection: -	Func. diagram: 7214
CU250S_V_PN (FBLOCKS)	Min	Max	Factory setting
	-	-	-
Description:	Display parameter for binary quantity Q of instance XOR 2 of the XOR function block.		
p20072	XOR 2 run-time group / XOR 2 RTG		
CU250S_V (FBLOCKS)	Access level: 3	Calculated: -	Data type: Integer16
CU250S_V_CAN (FBLOCKS)	Can be changed: T	Scaling: -	Dyn. index: -
CU250S_V_DP (FBLOCKS)	Units group: -	Unit selection: -	Func. diagram: 7214
CU250S_V_PN (FBLOCKS)	Min	Max	Factory setting
	1	9999	9999
Description:	Setting parameter for the run-time group in which the instance XOR 2 of the XOR function block is to be called.		
Value:	1: Run-time group 1 2: Run-time group 2 3: Run-time group 3 4: Run-time group 4 5: Run-time group 5 6: Run-time group 6 9999: Do not calculate		
p20073	XOR 2 run sequence / XOR 2 RunSeq		
CU250S_V (FBLOCKS)	Access level: 3	Calculated: -	Data type: Unsigned16
CU250S_V_CAN (FBLOCKS)	Can be changed: T	Scaling: -	Dyn. index: -
CU250S_V_DP (FBLOCKS)	Units group: -	Unit selection: -	Func. diagram: 7214
CU250S_V_PN (FBLOCKS)	Min	Max	Factory setting
	0	32000	130
Description:	Setting parameter for the run sequence of instance XOR 2 within the run-time group set in p20072.		
Note:	The function blocks with a lower run sequence value are calculated before function blocks with a higher run sequence value.		

p20074[0...3]	BI: XOR 3 inputs / XOR 3 inputs		
CU250S_V (FBLOCKS)	Access level: 3	Calculated: -	Data type: U32 / Binary
CU250S_V_CAN (FBLOCKS)	Can be changed: T	Scaling: -	Dyn. index: -
CU250S_V_DP (FBLOCKS)	Units group: -	Unit selection: -	Func. diagram: 7214
CU250S_V_PN (FBLOCKS)	Min	Max	Factory setting
	-	-	0
Description:	Sets the signal source of input quantities I0, I1, I2, I3 of instance XOR 3 of the XOR function block.		
Index:	[0] = Input I0 [1] = Input I1 [2] = Input I2 [3] = Input I3		
r20075	BO: XOR 3 output Q / XOR 3 output Q		
CU250S_V (FBLOCKS)	Access level: 3	Calculated: -	Data type: Unsigned32
CU250S_V_CAN (FBLOCKS)	Can be changed: -	Scaling: -	Dyn. index: -
CU250S_V_DP (FBLOCKS)	Units group: -	Unit selection: -	Func. diagram: 7214
CU250S_V_PN (FBLOCKS)	Min	Max	Factory setting
	-	-	-
Description:	Display parameter for binary quantity Q of instance XOR 3 of the XOR function block.		
p20076	XOR 3 run-time group / XOR 3 RTG		
CU250S_V (FBLOCKS)	Access level: 3	Calculated: -	Data type: Integer16
CU250S_V_CAN (FBLOCKS)	Can be changed: T	Scaling: -	Dyn. index: -
CU250S_V_DP (FBLOCKS)	Units group: -	Unit selection: -	Func. diagram: 7214
CU250S_V_PN (FBLOCKS)	Min	Max	Factory setting
	1	9999	9999
Description:	Setting parameter for the run-time group in which the instance XOR 3 of the XOR function block is to be called.		
Value:	1: Run-time group 1 2: Run-time group 2 3: Run-time group 3 4: Run-time group 4 5: Run-time group 5 6: Run-time group 6 9999: Do not calculate		
p20077	XOR 3 run sequence / XOR 3 RunSeq		
CU250S_V (FBLOCKS)	Access level: 3	Calculated: -	Data type: Unsigned16
CU250S_V_CAN (FBLOCKS)	Can be changed: T	Scaling: -	Dyn. index: -
CU250S_V_DP (FBLOCKS)	Units group: -	Unit selection: -	Func. diagram: 7214
CU250S_V_PN (FBLOCKS)	Min	Max	Factory setting
	0	32000	140
Description:	Setting parameter for the run sequence of instance XOR 3 within the run-time group set in p20076.		
Note:	The function blocks with a lower run sequence value are calculated before function blocks with a higher run sequence value.		

2 Parameters

2.2 List of parameters

p20078

BI: NOT 0 input I / NOT 0 input I

CU250S_V (FBLOCKS)	Access level: 3	Calculated: -	Data type: U32 / Binary
CU250S_V_CAN (FBLOCKS)	Can be changed: T	Scaling: -	Dyn. index: -
CU250S_V_DP (FBLOCKS)	Units group: -	Unit selection: -	Func. diagram: 7216
CU250S_V_PN (FBLOCKS)	Min	Max	Factory setting
	-	-	0

Description: Sets the signal source of input quantity I of instance NOT 0 of the inverter.

r20079

BO: NOT 0 inverted output / NOT 0 inv output

CU250S_V (FBLOCKS)	Access level: 3	Calculated: -	Data type: Unsigned32
CU250S_V_CAN (FBLOCKS)	Can be changed: -	Scaling: -	Dyn. index: -
CU250S_V_DP (FBLOCKS)	Units group: -	Unit selection: -	Func. diagram: 7216
CU250S_V_PN (FBLOCKS)	Min	Max	Factory setting
	-	-	-

Description: Display parameter for the inverted output of instance NOT 0 of the inverter.

p20080

NOT 0 run-time group / NOT 0 RTG

CU250S_V (FBLOCKS)	Access level: 3	Calculated: -	Data type: Integer16
CU250S_V_CAN (FBLOCKS)	Can be changed: T	Scaling: -	Dyn. index: -
CU250S_V_DP (FBLOCKS)	Units group: -	Unit selection: -	Func. diagram: 7216
CU250S_V_PN (FBLOCKS)	Min	Max	Factory setting
	1	9999	9999

Description: Setting parameter for the run-time group in which the instance NOT 0 of the inverter is to be called.

Value:

- 1: Run-time group 1
- 2: Run-time group 2
- 3: Run-time group 3
- 4: Run-time group 4
- 5: Run-time group 5
- 6: Run-time group 6
- 9999: Do not calculate

p20081

NOT 0 run sequence / NOT 0 RunSeq

CU250S_V (FBLOCKS)	Access level: 3	Calculated: -	Data type: Unsigned16
CU250S_V_CAN (FBLOCKS)	Can be changed: T	Scaling: -	Dyn. index: -
CU250S_V_DP (FBLOCKS)	Units group: -	Unit selection: -	Func. diagram: 7216
CU250S_V_PN (FBLOCKS)	Min	Max	Factory setting
	0	32000	160

Description: Setting parameter for the run sequence of instance NOT 0 within the run-time group set in p20080.

Note: The function blocks with a lower run sequence value are calculated before function blocks with a higher run sequence value.

p20082	BI: NOT 1 input I / NOT 1 input I		
CU250S_V (FBLOCKS)	Access level: 3	Calculated: -	Data type: U32 / Binary
CU250S_V_CAN (FBLOCKS)	Can be changed: T	Scaling: -	Dyn. index: -
CU250S_V_DP (FBLOCKS)	Units group: -	Unit selection: -	Func. diagram: 7216
CU250S_V_PN (FBLOCKS)	Min	Max	Factory setting
	-	-	0
Description:	Sets the signal source of input quantity I of instance NOT 1 of the inverter.		
r20083	BO: NOT 1 inverted output / NOT 1 inv output		
CU250S_V (FBLOCKS)	Access level: 3	Calculated: -	Data type: Unsigned32
CU250S_V_CAN (FBLOCKS)	Can be changed: -	Scaling: -	Dyn. index: -
CU250S_V_DP (FBLOCKS)	Units group: -	Unit selection: -	Func. diagram: 7216
CU250S_V_PN (FBLOCKS)	Min	Max	Factory setting
	-	-	-
Description:	Display parameter for the inverted output of instance NOT 1 of the inverter.		
p20084	NOT 1 run-time group / NOT 1 RTG		
CU250S_V (FBLOCKS)	Access level: 3	Calculated: -	Data type: Integer16
CU250S_V_CAN (FBLOCKS)	Can be changed: T	Scaling: -	Dyn. index: -
CU250S_V_DP (FBLOCKS)	Units group: -	Unit selection: -	Func. diagram: 7216
CU250S_V_PN (FBLOCKS)	Min	Max	Factory setting
	1	9999	9999
Description:	Setting parameter for the run-time group in which the instance NOT 1 of the inverter is to be called.		
Value:	1: Run-time group 1 2: Run-time group 2 3: Run-time group 3 4: Run-time group 4 5: Run-time group 5 6: Run-time group 6 9999: Do not calculate		
p20085	NOT 1 run sequence / NOT 1 RunSeq		
CU250S_V (FBLOCKS)	Access level: 3	Calculated: -	Data type: Unsigned16
CU250S_V_CAN (FBLOCKS)	Can be changed: T	Scaling: -	Dyn. index: -
CU250S_V_DP (FBLOCKS)	Units group: -	Unit selection: -	Func. diagram: 7216
CU250S_V_PN (FBLOCKS)	Min	Max	Factory setting
	0	32000	170
Description:	Setting parameter for the run sequence of instance NOT 1 within the run-time group set in p20084.		
Note:	The function blocks with a lower run sequence value are calculated before function blocks with a higher run sequence value.		

2 Parameters

2.2 List of parameters

p20086

BI: NOT 2 input I / NOT 2 input I

CU250S_V (FBLOCKS)	Access level: 3	Calculated: -	Data type: U32 / Binary
CU250S_V_CAN (FBLOCKS)	Can be changed: T	Scaling: -	Dyn. index: -
CU250S_V_DP (FBLOCKS)	Units group: -	Unit selection: -	Func. diagram: 7216
CU250S_V_PN (FBLOCKS)	Min	Max	Factory setting
	-	-	0

Description: Sets the signal source of input quantity I of instance NOT 2 of the inverter.

r20087

BO: NOT 2 inverted output / NOT 2 inv output

CU250S_V (FBLOCKS)	Access level: 3	Calculated: -	Data type: Unsigned32
CU250S_V_CAN (FBLOCKS)	Can be changed: -	Scaling: -	Dyn. index: -
CU250S_V_DP (FBLOCKS)	Units group: -	Unit selection: -	Func. diagram: 7216
CU250S_V_PN (FBLOCKS)	Min	Max	Factory setting
	-	-	-

Description: Display parameter for the inverted output of instance NOT 2 of the inverter.

p20088

NOT 2 run-time group / NOT 2 RTG

CU250S_V (FBLOCKS)	Access level: 3	Calculated: -	Data type: Integer16
CU250S_V_CAN (FBLOCKS)	Can be changed: T	Scaling: -	Dyn. index: -
CU250S_V_DP (FBLOCKS)	Units group: -	Unit selection: -	Func. diagram: 7216
CU250S_V_PN (FBLOCKS)	Min	Max	Factory setting
	1	9999	9999

Description: Setting parameter for the run-time group in which the instance NOT 2 of the inverter is to be called.

Value:

- 1: Run-time group 1
- 2: Run-time group 2
- 3: Run-time group 3
- 4: Run-time group 4
- 5: Run-time group 5
- 6: Run-time group 6
- 9999: Do not calculate

p20089

NOT 2 run sequence / NOT 2 RunSeq

CU250S_V (FBLOCKS)	Access level: 3	Calculated: -	Data type: Unsigned16
CU250S_V_CAN (FBLOCKS)	Can be changed: T	Scaling: -	Dyn. index: -
CU250S_V_DP (FBLOCKS)	Units group: -	Unit selection: -	Func. diagram: 7216
CU250S_V_PN (FBLOCKS)	Min	Max	Factory setting
	0	32000	180

Description: Setting parameter for the run sequence of instance NOT 2 within the run-time group set in p20088.

Note: The function blocks with a lower run sequence value are calculated before function blocks with a higher run sequence value.

p20090	BI: NOT 3 input I / NOT 3 input I		
CU250S_V (FBLOCKS)	Access level: 3	Calculated: -	Data type: U32 / Binary
CU250S_V_CAN (FBLOCKS)	Can be changed: T	Scaling: -	Dyn. index: -
CU250S_V_DP (FBLOCKS)	Units group: -	Unit selection: -	Func. diagram: 7216
CU250S_V_PN (FBLOCKS)	Min	Max	Factory setting
	-	-	0
Description:	Sets the signal source of input quantity I of instance NOT 3 of the inverter.		
r20091	BO: NOT 3 inverted output / NOT 3 inv output		
CU250S_V (FBLOCKS)	Access level: 3	Calculated: -	Data type: Unsigned32
CU250S_V_CAN (FBLOCKS)	Can be changed: -	Scaling: -	Dyn. index: -
CU250S_V_DP (FBLOCKS)	Units group: -	Unit selection: -	Func. diagram: 7216
CU250S_V_PN (FBLOCKS)	Min	Max	Factory setting
	-	-	-
Description:	Display parameter for the inverted output of instance NOT 3 of the inverter.		
p20092	NOT 3 run-time group / NOT 3 RTG		
CU250S_V (FBLOCKS)	Access level: 3	Calculated: -	Data type: Integer16
CU250S_V_CAN (FBLOCKS)	Can be changed: T	Scaling: -	Dyn. index: -
CU250S_V_DP (FBLOCKS)	Units group: -	Unit selection: -	Func. diagram: 7216
CU250S_V_PN (FBLOCKS)	Min	Max	Factory setting
	1	9999	9999
Description:	Setting parameter for the run-time group in which the instance NOT 3 of the inverter is to be called.		
Value:	1: Run-time group 1 2: Run-time group 2 3: Run-time group 3 4: Run-time group 4 5: Run-time group 5 6: Run-time group 6 9999: Do not calculate		
p20093	NOT 3 run sequence / NOT 3 RunSeq		
CU250S_V (FBLOCKS)	Access level: 3	Calculated: -	Data type: Unsigned16
CU250S_V_CAN (FBLOCKS)	Can be changed: T	Scaling: -	Dyn. index: -
CU250S_V_DP (FBLOCKS)	Units group: -	Unit selection: -	Func. diagram: 7216
CU250S_V_PN (FBLOCKS)	Min	Max	Factory setting
	0	32000	190
Description:	Setting parameter for the run sequence of instance NOT 3 within the run-time group set in p20092.		
Note:	The function blocks with a lower run sequence value are calculated before function blocks with a higher run sequence value.		

2 Parameters

2.2 List of parameters

p20094[0...3]	CI: ADD 0 inputs / ADD 0 inputs		
CU250S_V (FBLOCKS)	Access level: 3	Calculated: -	Data type: U32 / FloatingPoint32
CU250S_V_CAN (FBLOCKS)	Can be changed: T	Scaling: PERCENT	Dyn. index: -
CU250S_V_DP (FBLOCKS)	Units group: -	Unit selection: -	Func. diagram: 7220
CU250S_V_PN (FBLOCKS)	Min	Max	Factory setting
	-	-	0
Description:	Sets the signal source of input quantities X0, X1, X2, X3 of instance ADD 0 of the adder.		
Index:	[0] = Input X0 [1] = Input X1 [2] = Input X2 [3] = Input X3		
r20095	CO: ADD 0 output Y / ADD 0 output Y		
CU250S_V (FBLOCKS)	Access level: 3	Calculated: -	Data type: FloatingPoint32
CU250S_V_CAN (FBLOCKS)	Can be changed: -	Scaling: PERCENT	Dyn. index: -
CU250S_V_DP (FBLOCKS)	Units group: -	Unit selection: -	Func. diagram: 7220
CU250S_V_PN (FBLOCKS)	Min	Max	Factory setting
	-	-	-
Description:	Display parameter for the output quantity $Y = X0 + X1 + X2 + X3$ of instance ADD 0 of the adder.		
p20096	ADD 0 run-time group / ADD 0 RTG		
CU250S_V (FBLOCKS)	Access level: 3	Calculated: -	Data type: Integer16
CU250S_V_CAN (FBLOCKS)	Can be changed: T	Scaling: -	Dyn. index: -
CU250S_V_DP (FBLOCKS)	Units group: -	Unit selection: -	Func. diagram: 7220
CU250S_V_PN (FBLOCKS)	Min	Max	Factory setting
	5	9999	9999
Description:	Setting parameter for the run-time group in which the instance ADD 0 of the adder is to be called.		
Value:	5: Run-time group 5 6: Run-time group 6 9999: Do not calculate		
p20097	ADD 0 run sequence / ADD 0 RunSeq		
CU250S_V (FBLOCKS)	Access level: 3	Calculated: -	Data type: Unsigned16
CU250S_V_CAN (FBLOCKS)	Can be changed: T	Scaling: -	Dyn. index: -
CU250S_V_DP (FBLOCKS)	Units group: -	Unit selection: -	Func. diagram: 7220
CU250S_V_PN (FBLOCKS)	Min	Max	Factory setting
	0	32000	210
Description:	Setting parameter for the run sequence of instance ADD 0 within the run-time group set in p20096.		
Note:	The function blocks with a lower run sequence value are calculated before function blocks with a higher run sequence value.		

p20098[0...3]	CI: ADD 1 inputs / ADD 1 inputs		
CU250S_V (FBLOCKS)	Access level: 3	Calculated: -	Data type: U32 / FloatingPoint32
CU250S_V_CAN (FBLOCKS)	Can be changed: T	Scaling: PERCENT	Dyn. index: -
CU250S_V_DP (FBLOCKS)	Units group: -	Unit selection: -	Func. diagram: 7220
CU250S_V_PN (FBLOCKS)	Min	Max	Factory setting
	-	-	0

Description: Sets the signal source of input quantities X0, X1, X2, X3 of instance ADD 1 of the adder.

Index:
 [0] = Input X0
 [1] = Input X1
 [2] = Input X2
 [3] = Input X3

r20099	CO: ADD 1 output Y / ADD 1 output Y		
CU250S_V (FBLOCKS)	Access level: 3	Calculated: -	Data type: FloatingPoint32
CU250S_V_CAN (FBLOCKS)	Can be changed: -	Scaling: PERCENT	Dyn. index: -
CU250S_V_DP (FBLOCKS)	Units group: -	Unit selection: -	Func. diagram: 7220
CU250S_V_PN (FBLOCKS)	Min	Max	Factory setting
	-	-	-

Description: Display parameter for the output quantity $Y = X0 + X1 + X2 + X3$ of instance ADD 1 of the adder.

p20100	ADD 1 run-time group / ADD 1 RTG		
CU250S_V (FBLOCKS)	Access level: 3	Calculated: -	Data type: Integer16
CU250S_V_CAN (FBLOCKS)	Can be changed: T	Scaling: -	Dyn. index: -
CU250S_V_DP (FBLOCKS)	Units group: -	Unit selection: -	Func. diagram: 7220
CU250S_V_PN (FBLOCKS)	Min	Max	Factory setting
	5	9999	9999

Description: Setting parameter for the run-time group in which the instance ADD 1 of the adder is to be called.

Value:
 5: Run-time group 5
 6: Run-time group 6
 9999: Do not calculate

p20101	ADD 1 run sequence / ADD 1 RunSeq		
CU250S_V (FBLOCKS)	Access level: 3	Calculated: -	Data type: Unsigned16
CU250S_V_CAN (FBLOCKS)	Can be changed: T	Scaling: -	Dyn. index: -
CU250S_V_DP (FBLOCKS)	Units group: -	Unit selection: -	Func. diagram: 7220
CU250S_V_PN (FBLOCKS)	Min	Max	Factory setting
	0	32000	220

Description: Setting parameter for the run sequence of instance ADD 1 within the run-time group set in p20100.

Note: The function blocks with a lower run sequence value are calculated before function blocks with a higher run sequence value.

2 Parameters

2.2 List of parameters

p20102[0...1]	CI: SUB 0 inputs / SUB 0 inputs		
CU250S_V (FBLOCKS)	Access level: 3	Calculated: -	Data type: U32 / FloatingPoint32
CU250S_V_CAN (FBLOCKS)	Can be changed: T	Scaling: PERCENT	Dyn. index: -
CU250S_V_DP (FBLOCKS)	Units group: -	Unit selection: -	Func. diagram: 7220
CU250S_V_PN (FBLOCKS)	Min	Max	Factory setting
	-	-	0
Description:	Sets the signal source of minuend X1 and subtrahend X2 of instance SUB 0 of the subtractor.		
Index:	[0] = Minuend X1 [1] = Subtrahend X2		

r20103	CO: SUB 0 difference Y / SUB 0 difference Y		
CU250S_V (FBLOCKS)	Access level: 3	Calculated: -	Data type: FloatingPoint32
CU250S_V_CAN (FBLOCKS)	Can be changed: -	Scaling: PERCENT	Dyn. index: -
CU250S_V_DP (FBLOCKS)	Units group: -	Unit selection: -	Func. diagram: 7220
CU250S_V_PN (FBLOCKS)	Min	Max	Factory setting
	-	-	-
Description:	Display parameter for the difference $Y = X1 - X2$ of instance SUB 0 of the subtractor.		

p20104	SUB 0 run-time group / SUB 0 RTG		
CU250S_V (FBLOCKS)	Access level: 3	Calculated: -	Data type: Integer16
CU250S_V_CAN (FBLOCKS)	Can be changed: T	Scaling: -	Dyn. index: -
CU250S_V_DP (FBLOCKS)	Units group: -	Unit selection: -	Func. diagram: 7220
CU250S_V_PN (FBLOCKS)	Min	Max	Factory setting
	5	9999	9999
Description:	Setting parameter for the run-time group in which instance SUB 0 of the subtractor is to be called.		
Value:	5: Run-time group 5 6: Run-time group 6 9999: Do not calculate		

p20105	SUB 0 run sequence / SUB 0 RunSeq		
CU250S_V (FBLOCKS)	Access level: 3	Calculated: -	Data type: Unsigned16
CU250S_V_CAN (FBLOCKS)	Can be changed: T	Scaling: -	Dyn. index: -
CU250S_V_DP (FBLOCKS)	Units group: -	Unit selection: -	Func. diagram: 7220
CU250S_V_PN (FBLOCKS)	Min	Max	Factory setting
	0	32000	240
Description:	Setting parameter for the run sequence of instance SUB 0 within the run-time group set in p20104.		
Note:	The function blocks with a lower run sequence value are calculated before function blocks with a higher run sequence value.		

p20106[0...1]	CI: SUB 1 inputs / SUB 1 inputs		
CU250S_V (FBLOCKS)	Access level: 3	Calculated: -	Data type: U32 / FloatingPoint32
CU250S_V_CAN (FBLOCKS)	Can be changed: T	Scaling: PERCENT	Dyn. index: -
CU250S_V_DP (FBLOCKS)	Units group: -	Unit selection: -	Func. diagram: 7220
CU250S_V_PN (FBLOCKS)	Min	Max	Factory setting
	-	-	0
Description:	Sets the signal source of minuend X1 and subtrahend X2 of instance SUB 1 of the subtractor.		
Index:	[0] = Minuend X1 [1] = Subtrahend X2		

r20107	CO: SUB 1 difference Y / SUB 1 difference Y		
CU250S_V (FBLOCKS)	Access level: 3	Calculated: -	Data type: FloatingPoint32
CU250S_V_CAN (FBLOCKS)	Can be changed: -	Scaling: PERCENT	Dyn. index: -
CU250S_V_DP (FBLOCKS)	Units group: -	Unit selection: -	Func. diagram: 7220
CU250S_V_PN (FBLOCKS)	Min	Max	Factory setting
	-	-	-
Description:	Display parameter for the difference $Y = X1 - X2$ of instance SUB 1 of the subtractor.		

p20108	SUB 1 run-time group / SUB 1 RTG		
CU250S_V (FBLOCKS)	Access level: 3	Calculated: -	Data type: Integer16
CU250S_V_CAN (FBLOCKS)	Can be changed: T	Scaling: -	Dyn. index: -
CU250S_V_DP (FBLOCKS)	Units group: -	Unit selection: -	Func. diagram: 7220
CU250S_V_PN (FBLOCKS)	Min	Max	Factory setting
	5	9999	9999
Description:	Setting parameter for the run-time group in which instance SUB 1 of the subtractor is to be called.		
Value:	5: Run-time group 5 6: Run-time group 6 9999: Do not calculate		

p20109	SUB 1 run sequence / SUB 1 RunSeq		
CU250S_V (FBLOCKS)	Access level: 3	Calculated: -	Data type: Unsigned16
CU250S_V_CAN (FBLOCKS)	Can be changed: T	Scaling: -	Dyn. index: -
CU250S_V_DP (FBLOCKS)	Units group: -	Unit selection: -	Func. diagram: 7220
CU250S_V_PN (FBLOCKS)	Min	Max	Factory setting
	0	32000	250
Description:	Setting parameter for the run sequence of instance SUB 1 within the run-time group set in p20108.		
Note:	The function blocks with a lower run sequence value are calculated before function blocks with a higher run sequence value.		

2 Parameters

2.2 List of parameters

p20110[0...3]	CI: MUL 0 inputs / MUL 0 inputs		
CU250S_V (FBLOCKS)	Access level: 3	Calculated: -	Data type: U32 / FloatingPoint32
CU250S_V_CAN (FBLOCKS)	Can be changed: T	Scaling: PERCENT	Dyn. index: -
CU250S_V_DP (FBLOCKS)	Units group: -	Unit selection: -	Func. diagram: 7222
CU250S_V_PN (FBLOCKS)	Min	Max	Factory setting
	-	-	0
Description:	Sets the signal source of the factors X0, X1, X2, X3 of instance MUL 0 of the multiplier.		
Index:	[0] = Factor X0 [1] = Factor X1 [2] = Factor X2 [3] = Factor X3		
r20111	CO: MUL 0 product Y / MUL 0 product Y		
CU250S_V (FBLOCKS)	Access level: 3	Calculated: -	Data type: FloatingPoint32
CU250S_V_CAN (FBLOCKS)	Can be changed: -	Scaling: PERCENT	Dyn. index: -
CU250S_V_DP (FBLOCKS)	Units group: -	Unit selection: -	Func. diagram: 7222
CU250S_V_PN (FBLOCKS)	Min	Max	Factory setting
	-	-	-
Description:	Display parameter for the product $Y = X0 * X1 * X2 * X3$ of instance MUL 0 of the multiplier.		
p20112	MUL 0 run-time group / MUL 0 RTG		
CU250S_V (FBLOCKS)	Access level: 3	Calculated: -	Data type: Integer16
CU250S_V_CAN (FBLOCKS)	Can be changed: T	Scaling: -	Dyn. index: -
CU250S_V_DP (FBLOCKS)	Units group: -	Unit selection: -	Func. diagram: 7222
CU250S_V_PN (FBLOCKS)	Min	Max	Factory setting
	5	9999	9999
Description:	Setting parameter for the run-time group in which instance MUL 0 of the multiplier is to be called.		
Value:	5: Run-time group 5 6: Run-time group 6 9999: Do not calculate		
p20113	MUL 0 run sequence / MUL 0 RunSeq		
CU250S_V (FBLOCKS)	Access level: 3	Calculated: -	Data type: Unsigned16
CU250S_V_CAN (FBLOCKS)	Can be changed: T	Scaling: -	Dyn. index: -
CU250S_V_DP (FBLOCKS)	Units group: -	Unit selection: -	Func. diagram: 7222
CU250S_V_PN (FBLOCKS)	Min	Max	Factory setting
	0	32000	270
Description:	Setting parameter for the run sequence of instance MUL 0 within the run-time group set in p20112.		
Note:	The function blocks with a lower run sequence value are calculated before function blocks with a higher run sequence value.		

p20114[0...3]	CI: MUL 1 inputs / MUL 1 inputs		
CU250S_V (FBLOCKS)	Access level: 3	Calculated: -	Data type: U32 / FloatingPoint32
CU250S_V_CAN (FBLOCKS)	Can be changed: T	Scaling: PERCENT	Dyn. index: -
CU250S_V_DP (FBLOCKS)	Units group: -	Unit selection: -	Func. diagram: 7222
CU250S_V_PN (FBLOCKS)	Min	Max	Factory setting
	-	-	0
Description:	Sets the signal source of the factors X0, X1, X2, X3 of instance MUL 1 of the multiplier.		
Index:	[0] = Factor X0 [1] = Factor X1 [2] = Factor X2 [3] = Factor X3		

r20115	CO: MUL 1 product Y / MUL 1 product Y		
CU250S_V (FBLOCKS)	Access level: 3	Calculated: -	Data type: FloatingPoint32
CU250S_V_CAN (FBLOCKS)	Can be changed: -	Scaling: PERCENT	Dyn. index: -
CU250S_V_DP (FBLOCKS)	Units group: -	Unit selection: -	Func. diagram: 7222
CU250S_V_PN (FBLOCKS)	Min	Max	Factory setting
	-	-	-
Description:	Display parameter for the product $Y = X0 * X1 * X2 * X3$ of instance MUL 1 of the multiplier.		

p20116	MUL 1 run-time group / MUL 1 RTG		
CU250S_V (FBLOCKS)	Access level: 3	Calculated: -	Data type: Integer16
CU250S_V_CAN (FBLOCKS)	Can be changed: T	Scaling: -	Dyn. index: -
CU250S_V_DP (FBLOCKS)	Units group: -	Unit selection: -	Func. diagram: 7222
CU250S_V_PN (FBLOCKS)	Min	Max	Factory setting
	5	9999	9999
Description:	Setting parameter for the run-time group in which instance MUL 1 of the multiplier is to be called.		
Value:	5: Run-time group 5 6: Run-time group 6 9999: Do not calculate		

p20117	MUL 1 run sequence / MUL 1 RunSeq		
CU250S_V (FBLOCKS)	Access level: 3	Calculated: -	Data type: Unsigned16
CU250S_V_CAN (FBLOCKS)	Can be changed: T	Scaling: -	Dyn. index: -
CU250S_V_DP (FBLOCKS)	Units group: -	Unit selection: -	Func. diagram: 7222
CU250S_V_PN (FBLOCKS)	Min	Max	Factory setting
	0	32000	280
Description:	Setting parameter for the run sequence of instance MUL 1 within the run-time group set in p20116.		
Note:	The function blocks with a lower run sequence value are calculated before function blocks with a higher run sequence value.		

2 Parameters

2.2 List of parameters

p20118[0...1]	CI: DIV 0 inputs / DIV 0 inputs		
CU250S_V (FBLOCKS)	Access level: 3	Calculated: -	Data type: U32 / FloatingPoint32
CU250S_V_CAN (FBLOCKS)	Can be changed: T	Scaling: PERCENT	Dyn. index: -
CU250S_V_DP (FBLOCKS)	Units group: -	Unit selection: -	Func. diagram: 7222
CU250S_V_PN (FBLOCKS)	Min	Max	Factory setting
	-	-	0
Description:	Sets the signal source of dividend X1 and divisor X2 of instance DIV 0 of the divider.		
Index:	[0] = Dividend X0 [1] = Divisor X1		
<hr/>			
r20119[0...2]	CO: DIV 0 quotient / DIV 0 quotient		
CU250S_V (FBLOCKS)	Access level: 3	Calculated: -	Data type: FloatingPoint32
CU250S_V_CAN (FBLOCKS)	Can be changed: -	Scaling: PERCENT	Dyn. index: -
CU250S_V_DP (FBLOCKS)	Units group: -	Unit selection: -	Func. diagram: 7222
CU250S_V_PN (FBLOCKS)	Min	Max	Factory setting
	-	-	-
Description:	Display parameter for quotients $Y = X1/X2$, integer number quotients YIN, and division remainder $MOD = (Y - YIN) \times X2$ of instance DIV 0 of the divider.		
Index:	[0] = Quotient Y [1] = Integer number quotient YIN [2] = Div remainder MOD		
<hr/>			
r20120	BO: DIV 0 divisor is zero QF / DIV 0 divisor=0 QF		
CU250S_V (FBLOCKS)	Access level: 3	Calculated: -	Data type: Unsigned32
CU250S_V_CAN (FBLOCKS)	Can be changed: -	Scaling: -	Dyn. index: -
CU250S_V_DP (FBLOCKS)	Units group: -	Unit selection: -	Func. diagram: 7222
CU250S_V_PN (FBLOCKS)	Min	Max	Factory setting
	-	-	-
Description:	Display parameter for the signal QF that the divisor X2 of instance DIV 0 of the divider is zero. $X2 = 0.0 \Rightarrow QF = 1$		
<hr/>			
p20121	DIV 0 run-time group / DIV 0 RTG		
CU250S_V (FBLOCKS)	Access level: 3	Calculated: -	Data type: Integer16
CU250S_V_CAN (FBLOCKS)	Can be changed: T	Scaling: -	Dyn. index: -
CU250S_V_DP (FBLOCKS)	Units group: -	Unit selection: -	Func. diagram: 7222
CU250S_V_PN (FBLOCKS)	Min	Max	Factory setting
	5	9999	9999
Description:	Setting parameter for the run-time group in which instance DIV 0 of the divider is to be called.		
Value:	5: Run-time group 5 6: Run-time group 6 9999: Do not calculate		

p20122	DIV 0 run sequence / DIV 0 RunSeq		
CU250S_V (FBLOCKS)	Access level: 3	Calculated: -	Data type: Unsigned16
CU250S_V_CAN (FBLOCKS)	Can be changed: T	Scaling: -	Dyn. index: -
CU250S_V_DP (FBLOCKS)	Units group: -	Unit selection: -	Func. diagram: 7222
CU250S_V_PN (FBLOCKS)	Min	Max	Factory setting
	0	32000	300
Description:	Setting parameter for the run sequence of instance DIV 0 within the run-time group set in p20121.		
Note:	The function blocks with a lower run sequence value are calculated before function blocks with a higher run sequence value.		
p20123[0...1]	CI: DIV 1 inputs / DIV 1 inputs		
CU250S_V (FBLOCKS)	Access level: 3	Calculated: -	Data type: U32 / FloatingPoint32
CU250S_V_CAN (FBLOCKS)	Can be changed: T	Scaling: PERCENT	Dyn. index: -
CU250S_V_DP (FBLOCKS)	Units group: -	Unit selection: -	Func. diagram: 7222
CU250S_V_PN (FBLOCKS)	Min	Max	Factory setting
	-	-	0
Description:	Sets the signal source of dividend X1 and divisor X2 of instance DIV 1 of the divider.		
Index:	[0] = Dividend X0 [1] = Divisor X1		
r20124[0...2]	CO: DIV 1 quotient / DIV 1 quotient		
CU250S_V (FBLOCKS)	Access level: 3	Calculated: -	Data type: FloatingPoint32
CU250S_V_CAN (FBLOCKS)	Can be changed: -	Scaling: PERCENT	Dyn. index: -
CU250S_V_DP (FBLOCKS)	Units group: -	Unit selection: -	Func. diagram: 7222
CU250S_V_PN (FBLOCKS)	Min	Max	Factory setting
	-	-	-
Description:	Display parameter for quotients $Y = X1/X2$, integer number quotients YIN, and division remainder $MOD = (Y - YIN) \times X2$ of instance DIV 1 of the divider.		
Index:	[0] = Quotient Y [1] = Integer number quotient YIN [2] = Div remainder MOD		
r20125	BO: DIV 1 divisor is zero QF / DIV 1 divisor=0 QF		
CU250S_V (FBLOCKS)	Access level: 3	Calculated: -	Data type: Unsigned32
CU250S_V_CAN (FBLOCKS)	Can be changed: -	Scaling: -	Dyn. index: -
CU250S_V_DP (FBLOCKS)	Units group: -	Unit selection: -	Func. diagram: 7222
CU250S_V_PN (FBLOCKS)	Min	Max	Factory setting
	-	-	-
Description:	Display parameter for the signal QF that the divisor X2 of instance DIV 1 of the divider is zero. $X2 = 0.0 \Rightarrow QF = 1$		

2 Parameters

2.2 List of parameters

p20126

DIV 1 run-time group / DIV 1 RTG

CU250S_V (FBLOCKS)	Access level: 3	Calculated: -	Data type: Integer16
CU250S_V_CAN (FBLOCKS)	Can be changed: T	Scaling: -	Dyn. index: -
CU250S_V_DP (FBLOCKS)	Units group: -	Unit selection: -	Func. diagram: 7222
CU250S_V_PN (FBLOCKS)	Min	Max	Factory setting
	5	9999	9999

Description:

Setting parameter for the run-time group in which instance DIV 1 of the divider is to be called.

Value:

5: Run-time group 5
6: Run-time group 6
9999: Do not calculate

p20127

DIV 1 run sequence / DIV 1 RunSeq

CU250S_V (FBLOCKS)	Access level: 3	Calculated: -	Data type: Unsigned16
CU250S_V_CAN (FBLOCKS)	Can be changed: T	Scaling: -	Dyn. index: -
CU250S_V_DP (FBLOCKS)	Units group: -	Unit selection: -	Func. diagram: 7222
CU250S_V_PN (FBLOCKS)	Min	Max	Factory setting
	0	32000	310

Description:

Setting parameter for the run sequence of instance DIV 1 within the run-time group set in p20126.

Note:

The function blocks with a lower run sequence value are calculated before function blocks with a higher run sequence value.

p20128

CI: AVA 0 input X / AVA 0 input X

CU250S_V (FBLOCKS)	Access level: 3	Calculated: -	Data type: U32 / FloatingPoint32
CU250S_V_CAN (FBLOCKS)	Can be changed: T	Scaling: PERCENT	Dyn. index: -
CU250S_V_DP (FBLOCKS)	Units group: -	Unit selection: -	Func. diagram: 7224
CU250S_V_PN (FBLOCKS)	Min	Max	Factory setting
	-	-	0

Description:

Sets the signal source of the input quantity X of instance AVA 0 of the absolute value generator with sign evaluation.

r20129

CO: AVA 0 output Y / AVA 0 output Y

CU250S_V (FBLOCKS)	Access level: 3	Calculated: -	Data type: FloatingPoint32
CU250S_V_CAN (FBLOCKS)	Can be changed: -	Scaling: PERCENT	Dyn. index: -
CU250S_V_DP (FBLOCKS)	Units group: -	Unit selection: -	Func. diagram: 7224
CU250S_V_PN (FBLOCKS)	Min	Max	Factory setting
	-	-	-

Description:

Display parameter for output quantity Y of instance AVA 0 of the absolute value generator with sign evaluation.

r20130	BO: AVA 0 input negative SN / AVA 0 input neg SN		
CU250S_V (FBLOCKS)	Access level: 3	Calculated: -	Data type: Unsigned32
CU250S_V_CAN (FBLOCKS)	Can be changed: -	Scaling: -	Dyn. index: -
CU250S_V_DP (FBLOCKS)	Units group: -	Unit selection: -	Func. diagram: 7224
CU250S_V_PN (FBLOCKS)	Min	Max	Factory setting
	-	-	-
Description:	Display parameter for signal SN that the input quantity X of instance AVA 0 of the absolute value generator with sign evaluation is negative. X < 0.0 => SN = 1		

p20131	AVA 0 run-time group / AVA 0 RTG		
CU250S_V (FBLOCKS)	Access level: 3	Calculated: -	Data type: Integer16
CU250S_V_CAN (FBLOCKS)	Can be changed: T	Scaling: -	Dyn. index: -
CU250S_V_DP (FBLOCKS)	Units group: -	Unit selection: -	Func. diagram: 7224
CU250S_V_PN (FBLOCKS)	Min	Max	Factory setting
	5	9999	9999
Description:	Setting parameter for the run-time group in which instance AVA 0 of the absolute value generator with sign evaluation is to be called.		
Value:	5: Run-time group 5 6: Run-time group 6 9999: Do not calculate		

p20132	AVA 0 run sequence / AVA 0 RunSeq		
CU250S_V (FBLOCKS)	Access level: 3	Calculated: -	Data type: Unsigned16
CU250S_V_CAN (FBLOCKS)	Can be changed: T	Scaling: -	Dyn. index: -
CU250S_V_DP (FBLOCKS)	Units group: -	Unit selection: -	Func. diagram: 7224
CU250S_V_PN (FBLOCKS)	Min	Max	Factory setting
	0	32000	340
Description:	Setting parameter for the run sequence of instance AVA 0 within the run-time group set in p20131.		
Note:	The function blocks with a lower run sequence value are calculated before function blocks with a higher run sequence value.		

p20133	CI: AVA 1 input X / AVA 1 input X		
CU250S_V (FBLOCKS)	Access level: 3	Calculated: -	Data type: U32 / FloatingPoint32
CU250S_V_CAN (FBLOCKS)	Can be changed: T	Scaling: PERCENT	Dyn. index: -
CU250S_V_DP (FBLOCKS)	Units group: -	Unit selection: -	Func. diagram: 7224
CU250S_V_PN (FBLOCKS)	Min	Max	Factory setting
	-	-	0
Description:	Sets the signal source of the input quantity X of instance AVA 1 of the absolute value generator with sign evaluation.		

2 Parameters

2.2 List of parameters

r20134	CO: AVA 1 output Y / AVA 1 output Y		
CU250S_V (FBLOCKS)	Access level: 3	Calculated: -	Data type: FloatingPoint32
CU250S_V_CAN (FBLOCKS)	Can be changed: -	Scaling: PERCENT	Dyn. index: -
CU250S_V_DP (FBLOCKS)	Units group: -	Unit selection: -	Func. diagram: 7224
CU250S_V_PN (FBLOCKS)	Min	Max	Factory setting
	-	-	-
Description:	Display parameter for output quantity Y of instance AVA 1 of the absolute value generator with sign evaluation.		
<hr/>			
r20135	BO: AVA 1 input negative SN / AVA 1 input neg SN		
CU250S_V (FBLOCKS)	Access level: 3	Calculated: -	Data type: Unsigned32
CU250S_V_CAN (FBLOCKS)	Can be changed: -	Scaling: -	Dyn. index: -
CU250S_V_DP (FBLOCKS)	Units group: -	Unit selection: -	Func. diagram: 7224
CU250S_V_PN (FBLOCKS)	Min	Max	Factory setting
	-	-	-
Description:	Display parameter for signal SN that the input quantity X of instance AVA 1 of the absolute value generator with sign evaluation is negative. X < 0.0 => SN = 1		
<hr/>			
p20136	AVA 1 run-time group / AVA 1 RTG		
CU250S_V (FBLOCKS)	Access level: 3	Calculated: -	Data type: Integer16
CU250S_V_CAN (FBLOCKS)	Can be changed: T	Scaling: -	Dyn. index: -
CU250S_V_DP (FBLOCKS)	Units group: -	Unit selection: -	Func. diagram: 7224
CU250S_V_PN (FBLOCKS)	Min	Max	Factory setting
	5	9999	9999
Description:	Setting parameter for the run-time group in which instance AVA 1 of the absolute value generator with sign evaluation is to be called.		
Value:	5: Run-time group 5 6: Run-time group 6 9999: Do not calculate		
<hr/>			
p20137	AVA 1 run sequence / AVA 1 RunSeq		
CU250S_V (FBLOCKS)	Access level: 3	Calculated: -	Data type: Unsigned16
CU250S_V_CAN (FBLOCKS)	Can be changed: T	Scaling: -	Dyn. index: -
CU250S_V_DP (FBLOCKS)	Units group: -	Unit selection: -	Func. diagram: 7224
CU250S_V_PN (FBLOCKS)	Min	Max	Factory setting
	0	32000	350
Description:	Setting parameter for the run sequence of instance AVA 1 within the run-time group set in p20136.		
Note:	The function blocks with a lower run sequence value are calculated before function blocks with a higher run sequence value.		

p20138	BI: MFP 0 input pulse I / MFP 0 inp_pulse I		
CU250S_V (FBLOCKS)	Access level: 3	Calculated: -	Data type: U32 / Binary
CU250S_V_CAN (FBLOCKS)	Can be changed: T	Scaling: -	Dyn. index: -
CU250S_V_DP (FBLOCKS)	Units group: -	Unit selection: -	Func. diagram: 7230
CU250S_V_PN (FBLOCKS)	Min	Max	Factory setting
	-	-	0
Description:	Sets the signal source for the input pulse I of instance MFP 0 of the pulse generator.		
p20139	MFP 0 pulse duration in ms / MFP 0 pulse_dur ms		
CU250S_V (FBLOCKS)	Access level: 3	Calculated: -	Data type: FloatingPoint32
CU250S_V_CAN (FBLOCKS)	Can be changed: T	Scaling: -	Dyn. index: -
CU250S_V_DP (FBLOCKS)	Units group: -	Unit selection: -	Func. diagram: 7230
CU250S_V_PN (FBLOCKS)	Min	Max	Factory setting
	0.00	5400000.00	0.00
Description:	Setting parameter for pulse duration T in milliseconds of instance MFP 0 of the pulse generator.		
r20140	BO: MFP 0 output Q / MFP 0 output Q		
CU250S_V (FBLOCKS)	Access level: 3	Calculated: -	Data type: Unsigned32
CU250S_V_CAN (FBLOCKS)	Can be changed: -	Scaling: -	Dyn. index: -
CU250S_V_DP (FBLOCKS)	Units group: -	Unit selection: -	Func. diagram: 7230
CU250S_V_PN (FBLOCKS)	Min	Max	Factory setting
	-	-	-
Description:	Display parameter for output pulse Q of instance MFP 0 of the pulse generator.		
p20141	MFP 0 run-time group / MFP 0 RTG		
CU250S_V (FBLOCKS)	Access level: 3	Calculated: -	Data type: Integer16
CU250S_V_CAN (FBLOCKS)	Can be changed: T	Scaling: -	Dyn. index: -
CU250S_V_DP (FBLOCKS)	Units group: -	Unit selection: -	Func. diagram: 7230
CU250S_V_PN (FBLOCKS)	Min	Max	Factory setting
	5	9999	9999
Description:	Setting parameter for the run-time group in which the instance MFP 0 of the pulse generator is to be called.		
Value:	5: Run-time group 5 6: Run-time group 6 9999: Do not calculate		

2 Parameters

2.2 List of parameters

p20142	MFP 0 run sequence / MFP 0 RunSeq		
CU250S_V (FBLOCKS)	Access level: 3	Calculated: -	Data type: Unsigned16
CU250S_V_CAN (FBLOCKS)	Can be changed: T	Scaling: -	Dyn. index: -
CU250S_V_DP (FBLOCKS)	Units group: -	Unit selection: -	Func. diagram: 7230
CU250S_V_PN (FBLOCKS)	Min	Max	Factory setting
	0	32000	370
Description:	Setting parameter for the run sequence of instance MFP 0 within the run-time group set in p20141.		
Note:	The function blocks with a lower run sequence value are calculated before function blocks with a higher run sequence value.		
p20143	BI: MFP 1 input pulse I / MFP 1 inp_pulse I		
CU250S_V (FBLOCKS)	Access level: 3	Calculated: -	Data type: U32 / Binary
CU250S_V_CAN (FBLOCKS)	Can be changed: T	Scaling: -	Dyn. index: -
CU250S_V_DP (FBLOCKS)	Units group: -	Unit selection: -	Func. diagram: 7230
CU250S_V_PN (FBLOCKS)	Min	Max	Factory setting
	-	-	0
Description:	Sets the signal source for the input pulse I of instance MFP 1 of the pulse generator.		
p20144	MFP 1 pulse duration in ms / MFP 1 pulse_dur ms		
CU250S_V (FBLOCKS)	Access level: 3	Calculated: -	Data type: FloatingPoint32
CU250S_V_CAN (FBLOCKS)	Can be changed: T	Scaling: -	Dyn. index: -
CU250S_V_DP (FBLOCKS)	Units group: -	Unit selection: -	Func. diagram: 7230
CU250S_V_PN (FBLOCKS)	Min	Max	Factory setting
	0.00	5400000.00	0.00
Description:	Setting parameter for pulse duration T in milliseconds of instance MFP 1 of the pulse generator.		
r20145	BO: MFP 1 output Q / MFP 1 output Q		
CU250S_V (FBLOCKS)	Access level: 3	Calculated: -	Data type: Unsigned32
CU250S_V_CAN (FBLOCKS)	Can be changed: -	Scaling: -	Dyn. index: -
CU250S_V_DP (FBLOCKS)	Units group: -	Unit selection: -	Func. diagram: 7230
CU250S_V_PN (FBLOCKS)	Min	Max	Factory setting
	-	-	-
Description:	Display parameter for output pulse Q of instance MFP 1 of the pulse generator.		

p20146	MFP 1 run-time group / MFP 1 RTG		
CU250S_V (FBLOCKS)	Access level: 3	Calculated: -	Data type: Integer16
CU250S_V_CAN (FBLOCKS)	Can be changed: T	Scaling: -	Dyn. index: -
CU250S_V_DP (FBLOCKS)	Units group: -	Unit selection: -	Func. diagram: 7230
CU250S_V_PN (FBLOCKS)	Min	Max	Factory setting
	5	9999	9999
Description:	Setting parameter for the run-time group in which the instance MFP 1 of the pulse generator is to be called.		
Value:	5: Run-time group 5 6: Run-time group 6 9999: Do not calculate		
p20147	MFP 1 run sequence / MFP 1 RunSeq		
CU250S_V (FBLOCKS)	Access level: 3	Calculated: -	Data type: Unsigned16
CU250S_V_CAN (FBLOCKS)	Can be changed: T	Scaling: -	Dyn. index: -
CU250S_V_DP (FBLOCKS)	Units group: -	Unit selection: -	Func. diagram: 7230
CU250S_V_PN (FBLOCKS)	Min	Max	Factory setting
	0	32000	380
Description:	Setting parameter for the run sequence of instance MFP 1 within the run-time group set in p20146.		
Note:	The function blocks with a lower run sequence value are calculated before function blocks with a higher run sequence value.		
p20148	BI: PCL 0 input pulse I / PCL 0 inp_pulse I		
CU250S_V (FBLOCKS)	Access level: 3	Calculated: -	Data type: U32 / Binary
CU250S_V_CAN (FBLOCKS)	Can be changed: T	Scaling: -	Dyn. index: -
CU250S_V_DP (FBLOCKS)	Units group: -	Unit selection: -	Func. diagram: 7230
CU250S_V_PN (FBLOCKS)	Min	Max	Factory setting
	-	-	0
Description:	Sets the signal source for the input pulse I of instance PCL 0 of the pulse shortener.		
p20149	PCL 0 pulse duration in ms / PCL 0 pulse_dur ms		
CU250S_V (FBLOCKS)	Access level: 3	Calculated: -	Data type: FloatingPoint32
CU250S_V_CAN (FBLOCKS)	Can be changed: T	Scaling: -	Dyn. index: -
CU250S_V_DP (FBLOCKS)	Units group: -	Unit selection: -	Func. diagram: 7230
CU250S_V_PN (FBLOCKS)	Min	Max	Factory setting
	0.00	5400000.00	0.00
Description:	Setting parameter for pulse duration T in milliseconds of instance PCL 0 of the pulse shortener.		

2 Parameters

2.2 List of parameters

r20150	BO: PCL 0 output Q / PCL 0 output Q		
CU250S_V (FBLOCKS)	Access level: 3	Calculated: -	Data type: Unsigned32
CU250S_V_CAN (FBLOCKS)	Can be changed: -	Scaling: -	Dyn. index: -
CU250S_V_DP (FBLOCKS)	Units group: -	Unit selection: -	Func. diagram: 7230
CU250S_V_PN (FBLOCKS)	Min	Max	Factory setting
	-	-	-
Description:	Display parameter for output pulse Q of instance PCL 0 of the pulse shortener.		

p20151	PCL 0 run-time group / PCL 0 RTG		
CU250S_V (FBLOCKS)	Access level: 3	Calculated: -	Data type: Integer16
CU250S_V_CAN (FBLOCKS)	Can be changed: T	Scaling: -	Dyn. index: -
CU250S_V_DP (FBLOCKS)	Units group: -	Unit selection: -	Func. diagram: 7230
CU250S_V_PN (FBLOCKS)	Min	Max	Factory setting
	5	9999	9999
Description:	Setting parameter for the run-time group in which the instance PCL 0 of the pulse shortener is to be called.		
Value:	5: Run-time group 5 6: Run-time group 6 9999: Do not calculate		

p20152	PCL 0 run sequence / PCL 0 RunSeq		
CU250S_V (FBLOCKS)	Access level: 3	Calculated: -	Data type: Unsigned16
CU250S_V_CAN (FBLOCKS)	Can be changed: T	Scaling: -	Dyn. index: -
CU250S_V_DP (FBLOCKS)	Units group: -	Unit selection: -	Func. diagram: 7230
CU250S_V_PN (FBLOCKS)	Min	Max	Factory setting
	0	32000	400
Description:	Setting parameter for the run sequence of instance PCL 0 within the run-time group set in p20151.		
Note:	The function blocks with a lower run sequence value are calculated before function blocks with a higher run sequence value.		

p20153	BI: PCL 1 input pulse I / PCL 1 inp_pulse I		
CU250S_V (FBLOCKS)	Access level: 3	Calculated: -	Data type: U32 / Binary
CU250S_V_CAN (FBLOCKS)	Can be changed: T	Scaling: -	Dyn. index: -
CU250S_V_DP (FBLOCKS)	Units group: -	Unit selection: -	Func. diagram: 7230
CU250S_V_PN (FBLOCKS)	Min	Max	Factory setting
	-	-	0
Description:	Sets the signal source for the input pulse I of instance PCL 1 of the pulse shortener.		

p20154	PCL 1 pulse duration in ms / PCL 1 pulse_dur ms		
CU250S_V (FBLOCKS)	Access level: 3	Calculated: -	Data type: FloatingPoint32
CU250S_V_CAN (FBLOCKS)	Can be changed: T	Scaling: -	Dyn. index: -
CU250S_V_DP (FBLOCKS)	Units group: -	Unit selection: -	Func. diagram: 7230
CU250S_V_PN (FBLOCKS)	Min	Max	Factory setting
	0.00	5400000.00	0.00
Description:	Setting parameter for pulse duration T in milliseconds of instance PCL 1 of the pulse shortener.		
r20155	BO: PCL 1 output Q / PCL 1 output Q		
CU250S_V (FBLOCKS)	Access level: 3	Calculated: -	Data type: Unsigned32
CU250S_V_CAN (FBLOCKS)	Can be changed: -	Scaling: -	Dyn. index: -
CU250S_V_DP (FBLOCKS)	Units group: -	Unit selection: -	Func. diagram: 7230
CU250S_V_PN (FBLOCKS)	Min	Max	Factory setting
	-	-	-
Description:	Display parameter for output pulse Q of instance PCL 1 of the pulse shortener.		
p20156	PCL 1 run-time group / PCL 1 RTG		
CU250S_V (FBLOCKS)	Access level: 3	Calculated: -	Data type: Integer16
CU250S_V_CAN (FBLOCKS)	Can be changed: T	Scaling: -	Dyn. index: -
CU250S_V_DP (FBLOCKS)	Units group: -	Unit selection: -	Func. diagram: 7230
CU250S_V_PN (FBLOCKS)	Min	Max	Factory setting
	5	9999	9999
Description:	Setting parameter for the run-time group in which the instance PCL 1 of the pulse shortener is to be called.		
Value:	5: Run-time group 5 6: Run-time group 6 9999: Do not calculate		
p20157	PCL 1 run sequence / PCL 1 RunSeq		
CU250S_V (FBLOCKS)	Access level: 3	Calculated: -	Data type: Unsigned16
CU250S_V_CAN (FBLOCKS)	Can be changed: T	Scaling: -	Dyn. index: -
CU250S_V_DP (FBLOCKS)	Units group: -	Unit selection: -	Func. diagram: 7230
CU250S_V_PN (FBLOCKS)	Min	Max	Factory setting
	0	32000	410
Description:	Setting parameter for the run sequence of instance PCL 1 within the run-time group set in p20156.		
Note:	The function blocks with a lower run sequence value are calculated before function blocks with a higher run sequence value.		

2 Parameters

2.2 List of parameters

p20158	BI: PDE 0 input pulse I / PDE 0 inp_pulse I		
CU250S_V (FBLOCKS)	Access level: 3	Calculated: -	Data type: U32 / Binary
CU250S_V_CAN (FBLOCKS)	Can be changed: T	Scaling: -	Dyn. index: -
CU250S_V_DP (FBLOCKS)	Units group: -	Unit selection: -	Func. diagram: 7232
CU250S_V_PN (FBLOCKS)	Min	Max	Factory setting
	-	-	0

Description: Sets the signal source for the input pulse I of instance PDE 0 of the closing delay device.

p20159	PDE 0 pulse delay time in ms / PDE 0 t_del ms		
CU250S_V (FBLOCKS)	Access level: 3	Calculated: -	Data type: FloatingPoint32
CU250S_V_CAN (FBLOCKS)	Can be changed: T	Scaling: -	Dyn. index: -
CU250S_V_DP (FBLOCKS)	Units group: -	Unit selection: -	Func. diagram: 7232
CU250S_V_PN (FBLOCKS)	Min	Max	Factory setting
	0.00	5400000.00	0.00

Description: Setting parameter for pulse delay time T in milliseconds of instance PDE 0 of the closing delay device.

r20160	BO: PDE 0 output Q / PDE 0 output Q		
CU250S_V (FBLOCKS)	Access level: 3	Calculated: -	Data type: Unsigned32
CU250S_V_CAN (FBLOCKS)	Can be changed: -	Scaling: -	Dyn. index: -
CU250S_V_DP (FBLOCKS)	Units group: -	Unit selection: -	Func. diagram: 7232
CU250S_V_PN (FBLOCKS)	Min	Max	Factory setting
	-	-	-

Description: Display parameter for output pulse Q of instance PDE 0 of the closing delay device.

p20161	PDE 0 run-time group / PDE 0 RTG		
CU250S_V (FBLOCKS)	Access level: 3	Calculated: -	Data type: Integer16
CU250S_V_CAN (FBLOCKS)	Can be changed: T	Scaling: -	Dyn. index: -
CU250S_V_DP (FBLOCKS)	Units group: -	Unit selection: -	Func. diagram: 7232
CU250S_V_PN (FBLOCKS)	Min	Max	Factory setting
	5	9999	9999

Description: Setting parameter for the run-time group in which instance PDE 0 of the closing delay device is to be called.

Value:
 5: Run-time group 5
 6: Run-time group 6
 9999: Do not calculate

p20162	PDE 0 run sequence / PDE 0 RunSeq		
CU250S_V (FBLOCKS)	Access level: 3	Calculated: -	Data type: Unsigned16
CU250S_V_CAN (FBLOCKS)	Can be changed: T	Scaling: -	Dyn. index: -
CU250S_V_DP (FBLOCKS)	Units group: -	Unit selection: -	Func. diagram: 7232
CU250S_V_PN (FBLOCKS)	Min	Max	Factory setting
	0	32000	430
Description:	Setting parameter for the run sequence of instance PDE 0 within the run-time group set in p20161.		
Note:	The function blocks with a lower run sequence value are calculated before function blocks with a higher run sequence value.		
p20163	BI: PDE 1 input pulse I / PDE 1 inp_pulse I		
CU250S_V (FBLOCKS)	Access level: 3	Calculated: -	Data type: U32 / Binary
CU250S_V_CAN (FBLOCKS)	Can be changed: T	Scaling: -	Dyn. index: -
CU250S_V_DP (FBLOCKS)	Units group: -	Unit selection: -	Func. diagram: 7232
CU250S_V_PN (FBLOCKS)	Min	Max	Factory setting
	-	-	0
Description:	Sets the signal source for the input pulse I of instance PDE 1 of the closing delay device.		
p20164	PDE 1 pulse delay time in ms / PDE 1 t_del ms		
CU250S_V (FBLOCKS)	Access level: 3	Calculated: -	Data type: FloatingPoint32
CU250S_V_CAN (FBLOCKS)	Can be changed: T	Scaling: -	Dyn. index: -
CU250S_V_DP (FBLOCKS)	Units group: -	Unit selection: -	Func. diagram: 7232
CU250S_V_PN (FBLOCKS)	Min	Max	Factory setting
	0.00	5400000.00	0.00
Description:	Setting parameter for pulse delay time T in milliseconds of instance PDE 1 of the closing delay device.		
r20165	BO: PDE 1 output Q / PDE 1 output Q		
CU250S_V (FBLOCKS)	Access level: 3	Calculated: -	Data type: Unsigned32
CU250S_V_CAN (FBLOCKS)	Can be changed: -	Scaling: -	Dyn. index: -
CU250S_V_DP (FBLOCKS)	Units group: -	Unit selection: -	Func. diagram: 7232
CU250S_V_PN (FBLOCKS)	Min	Max	Factory setting
	-	-	-
Description:	Display parameter for output pulse Q of instance PDE 1 of the closing delay device.		

2 Parameters

2.2 List of parameters

p20166	PDE 1 run-time group / PDE 1 RTG		
CU250S_V (FBLOCKS)	Access level: 3	Calculated: -	Data type: Integer16
CU250S_V_CAN (FBLOCKS)	Can be changed: T	Scaling: -	Dyn. index: -
CU250S_V_DP (FBLOCKS)	Units group: -	Unit selection: -	Func. diagram: 7232
CU250S_V_PN (FBLOCKS)	Min	Max	Factory setting
	5	9999	9999
Description:	Setting parameter for the run-time group in which instance PDE 1 of the closing delay device is to be called.		
Value:	5: Run-time group 5 6: Run-time group 6 9999: Do not calculate		

p20167	PDE 1 run sequence / PDE 1 RunSeq		
CU250S_V (FBLOCKS)	Access level: 3	Calculated: -	Data type: Unsigned16
CU250S_V_CAN (FBLOCKS)	Can be changed: T	Scaling: -	Dyn. index: -
CU250S_V_DP (FBLOCKS)	Units group: -	Unit selection: -	Func. diagram: 7232
CU250S_V_PN (FBLOCKS)	Min	Max	Factory setting
	0	32000	440
Description:	Setting parameter for the run sequence of instance PDE 1 within the run-time group set in p20166.		
Note:	The function blocks with a lower run sequence value are calculated before function blocks with a higher run sequence value.		

p20168	BI: PDF 0 input pulse I / PDF 0 inp_pulse I		
CU250S_V (FBLOCKS)	Access level: 3	Calculated: -	Data type: U32 / Binary
CU250S_V_CAN (FBLOCKS)	Can be changed: T	Scaling: -	Dyn. index: -
CU250S_V_DP (FBLOCKS)	Units group: -	Unit selection: -	Func. diagram: 7233
CU250S_V_PN (FBLOCKS)	Min	Max	Factory setting
	-	-	0
Description:	Sets the signal source for the input pulse I of instance PDF 0 of the breaking delay device.		

p20169	PDF 0 pulse extension time in ms / PDF 0 t_ext ms		
CU250S_V (FBLOCKS)	Access level: 3	Calculated: -	Data type: FloatingPoint32
CU250S_V_CAN (FBLOCKS)	Can be changed: T	Scaling: -	Dyn. index: -
CU250S_V_DP (FBLOCKS)	Units group: -	Unit selection: -	Func. diagram: 7233
CU250S_V_PN (FBLOCKS)	Min	Max	Factory setting
	0.00	5400000.00	0.00
Description:	Setting parameter for pulse extension time T in milliseconds of instance PDF 0 of the breaking delay device.		

r20170	BO: PDF 0 output Q / PDF 0 output Q		
CU250S_V (FBLOCKS)	Access level: 3	Calculated: -	Data type: Unsigned32
CU250S_V_CAN (FBLOCKS)	Can be changed: -	Scaling: -	Dyn. index: -
CU250S_V_DP (FBLOCKS)	Units group: -	Unit selection: -	Func. diagram: 7233
CU250S_V_PN (FBLOCKS)	Min	Max	Factory setting
	-	-	-
Description:	Display parameter for output pulse Q of instance PDF 0 of the breaking delay device.		
p20171	PDF 0 run-time group / PDF 0 RTG		
CU250S_V (FBLOCKS)	Access level: 3	Calculated: -	Data type: Integer16
CU250S_V_CAN (FBLOCKS)	Can be changed: T	Scaling: -	Dyn. index: -
CU250S_V_DP (FBLOCKS)	Units group: -	Unit selection: -	Func. diagram: 7233
CU250S_V_PN (FBLOCKS)	Min	Max	Factory setting
	5	9999	9999
Description:	Setting parameter for the run-time group in which the instance PDF 0 of the breaking delay device is to be called.		
Value:	5: Run-time group 5 6: Run-time group 6 9999: Do not calculate		
p20172	PDF 0 run sequence / PDF 0 RunSeq		
CU250S_V (FBLOCKS)	Access level: 3	Calculated: -	Data type: Unsigned16
CU250S_V_CAN (FBLOCKS)	Can be changed: T	Scaling: -	Dyn. index: -
CU250S_V_DP (FBLOCKS)	Units group: -	Unit selection: -	Func. diagram: 7233
CU250S_V_PN (FBLOCKS)	Min	Max	Factory setting
	0	32000	460
Description:	Setting parameter for the run sequence of instance PDF 0 within the run-time group set in p20171.		
Note:	The function blocks with a lower run sequence value are calculated before function blocks with a higher run sequence value.		
p20173	BI: PDF 1 input pulse I / PDF 1 inp_pulse I		
CU250S_V (FBLOCKS)	Access level: 3	Calculated: -	Data type: U32 / Binary
CU250S_V_CAN (FBLOCKS)	Can be changed: T	Scaling: -	Dyn. index: -
CU250S_V_DP (FBLOCKS)	Units group: -	Unit selection: -	Func. diagram: 7233
CU250S_V_PN (FBLOCKS)	Min	Max	Factory setting
	-	-	0
Description:	Sets the signal source for the input pulse I of instance PDF 1 of the breaking delay device.		

2 Parameters

2.2 List of parameters

p20174	PDF 1 pulse extension time in ms / PDF 1 t_ext ms		
CU250S_V (FBLOCKS)	Access level: 3	Calculated: -	Data type: FloatingPoint32
CU250S_V_CAN (FBLOCKS)	Can be changed: T	Scaling: -	Dyn. index: -
CU250S_V_DP (FBLOCKS)	Units group: -	Unit selection: -	Func. diagram: 7233
CU250S_V_PN (FBLOCKS)	Min	Max	Factory setting
	0.00	5400000.00	0.00
Description:	Setting parameter for pulse extension time T in milliseconds of instance PDF 1 of the breaking delay device.		
<hr/>			
r20175	BO: PDF 1 output Q / PDF 1 output Q		
CU250S_V (FBLOCKS)	Access level: 3	Calculated: -	Data type: Unsigned32
CU250S_V_CAN (FBLOCKS)	Can be changed: -	Scaling: -	Dyn. index: -
CU250S_V_DP (FBLOCKS)	Units group: -	Unit selection: -	Func. diagram: 7233
CU250S_V_PN (FBLOCKS)	Min	Max	Factory setting
	-	-	-
Description:	Display parameter for output pulse Q of instance PDF 1 of the breaking delay device.		
<hr/>			
p20176	PDF 1 run-time group / PDF 1 RTG		
CU250S_V (FBLOCKS)	Access level: 3	Calculated: -	Data type: Integer16
CU250S_V_CAN (FBLOCKS)	Can be changed: T	Scaling: -	Dyn. index: -
CU250S_V_DP (FBLOCKS)	Units group: -	Unit selection: -	Func. diagram: 7233
CU250S_V_PN (FBLOCKS)	Min	Max	Factory setting
	5	9999	9999
Description:	Setting parameter for the run-time group in which the instance PDF 1 of the breaking delay device is to be called.		
Value:	5: Run-time group 5 6: Run-time group 6 9999: Do not calculate		
<hr/>			
p20177	PDF 1 run sequence / PDF 1 RunSeq		
CU250S_V (FBLOCKS)	Access level: 3	Calculated: -	Data type: Unsigned16
CU250S_V_CAN (FBLOCKS)	Can be changed: T	Scaling: -	Dyn. index: -
CU250S_V_DP (FBLOCKS)	Units group: -	Unit selection: -	Func. diagram: 7233
CU250S_V_PN (FBLOCKS)	Min	Max	Factory setting
	0	32000	470
Description:	Setting parameter for the run sequence of instance PDF 1 within the run-time group set in p20176.		
Note:	The function blocks with a lower run sequence value are calculated before function blocks with a higher run sequence value.		

p20178[0...1]	BI: PST 0 inputs / PST 0 inputs		
CU250S_V (FBLOCKS)	Access level: 3	Calculated: -	Data type: U32 / Binary
CU250S_V_CAN (FBLOCKS)	Can be changed: T	Scaling: -	Dyn. index: -
CU250S_V_DP (FBLOCKS)	Units group: -	Unit selection: -	Func. diagram: 7234
CU250S_V_PN (FBLOCKS)	Min	Max	Factory setting
	-	-	0
Description:	Sets the signal source for input pulse I and the reset input R of instance PST 0 of the pulse extension element.		
Index:	[0] = Input pulse I [1] = Reset input R		
p20179	PST 0 pulse duration in ms / PST 0 pulse_dur ms		
CU250S_V (FBLOCKS)	Access level: 3	Calculated: -	Data type: FloatingPoint32
CU250S_V_CAN (FBLOCKS)	Can be changed: T	Scaling: -	Dyn. index: -
CU250S_V_DP (FBLOCKS)	Units group: -	Unit selection: -	Func. diagram: 7234
CU250S_V_PN (FBLOCKS)	Min	Max	Factory setting
	0.00	5400000.00	0.00
Description:	Setting parameter for pulse duration T in milliseconds of instance PST 0 of the pulse extension element.		
r20180	BO: PST 0 output Q / PST 0 output Q		
CU250S_V (FBLOCKS)	Access level: 3	Calculated: -	Data type: Unsigned32
CU250S_V_CAN (FBLOCKS)	Can be changed: -	Scaling: -	Dyn. index: -
CU250S_V_DP (FBLOCKS)	Units group: -	Unit selection: -	Func. diagram: 7234
CU250S_V_PN (FBLOCKS)	Min	Max	Factory setting
	-	-	-
Description:	Display parameter for output pulse Q of instance PST 0 of the pulse extension element.		
p20181	PST 0 run-time group / PST 0 RTG		
CU250S_V (FBLOCKS)	Access level: 3	Calculated: -	Data type: Integer16
CU250S_V_CAN (FBLOCKS)	Can be changed: T	Scaling: -	Dyn. index: -
CU250S_V_DP (FBLOCKS)	Units group: -	Unit selection: -	Func. diagram: 7234
CU250S_V_PN (FBLOCKS)	Min	Max	Factory setting
	5	9999	9999
Description:	Setting parameter for the run-time group in which the instance PST 0 of the pulse extension element is to be called.		
Value:	5: Run-time group 5 6: Run-time group 6 9999: Do not calculate		

2 Parameters

2.2 List of parameters

p20182	PST 0 run sequence / PST 0 RunSeq		
CU250S_V (FBLOCKS)	Access level: 3	Calculated: -	Data type: Unsigned16
CU250S_V_CAN (FBLOCKS)	Can be changed: T	Scaling: -	Dyn. index: -
CU250S_V_DP (FBLOCKS)	Units group: -	Unit selection: -	Func. diagram: 7234
CU250S_V_PN (FBLOCKS)	Min	Max	Factory setting
	0	7999	490
Description:	Setting parameter for the run sequence of instance PST 0 within the run-time group set in p20181.		
Note:	The function blocks with a lower run sequence value are calculated before function blocks with a higher run sequence value.		
p20183[0...1]	BI: PST 1 inputs / PST 1 inputs		
CU250S_V (FBLOCKS)	Access level: 3	Calculated: -	Data type: U32 / Binary
CU250S_V_CAN (FBLOCKS)	Can be changed: T	Scaling: -	Dyn. index: -
CU250S_V_DP (FBLOCKS)	Units group: -	Unit selection: -	Func. diagram: 7234
CU250S_V_PN (FBLOCKS)	Min	Max	Factory setting
	-	-	0
Description:	Sets the signal source for input pulse I and the reset input R of instance PST 1 of the pulse extension element.		
Index:	[0] = Input pulse I [1] = Reset input R		
p20184	PST 1 pulse duration in ms / PST 1 pulse_dur ms		
CU250S_V (FBLOCKS)	Access level: 3	Calculated: -	Data type: FloatingPoint32
CU250S_V_CAN (FBLOCKS)	Can be changed: T	Scaling: -	Dyn. index: -
CU250S_V_DP (FBLOCKS)	Units group: -	Unit selection: -	Func. diagram: 7234
CU250S_V_PN (FBLOCKS)	Min	Max	Factory setting
	0.00	5400000.00	0.00
Description:	Setting parameter for pulse duration T in milliseconds of instance PST 1 of the pulse extension element.		
r20185	BO: PST 1 output Q / PST 1 output Q		
CU250S_V (FBLOCKS)	Access level: 3	Calculated: -	Data type: Unsigned32
CU250S_V_CAN (FBLOCKS)	Can be changed: -	Scaling: -	Dyn. index: -
CU250S_V_DP (FBLOCKS)	Units group: -	Unit selection: -	Func. diagram: 7234
CU250S_V_PN (FBLOCKS)	Min	Max	Factory setting
	-	-	-
Description:	Display parameter for output pulse Q of instance PST 1 of the pulse extension element.		

p20186	PST 1 run-time group / PST 1 RTG		
CU250S_V (FBLOCKS)	Access level: 3	Calculated: -	Data type: Integer16
CU250S_V_CAN (FBLOCKS)	Can be changed: T	Scaling: -	Dyn. index: -
CU250S_V_DP (FBLOCKS)	Units group: -	Unit selection: -	Func. diagram: 7234
CU250S_V_PN (FBLOCKS)	Min	Max	Factory setting
	5	9999	9999
Description:	Setting parameter for the run-time group in which the instance PST 1 of the pulse extension element is to be called.		
Value:	5: Run-time group 5 6: Run-time group 6 9999: Do not calculate		
p20187	PST 1 run sequence / PST 1 RunSeq		
CU250S_V (FBLOCKS)	Access level: 3	Calculated: -	Data type: Unsigned16
CU250S_V_CAN (FBLOCKS)	Can be changed: T	Scaling: -	Dyn. index: -
CU250S_V_DP (FBLOCKS)	Units group: -	Unit selection: -	Func. diagram: 7234
CU250S_V_PN (FBLOCKS)	Min	Max	Factory setting
	0	7999	500
Description:	Setting parameter for the run sequence of instance PST 1 within the run-time group set in p20186.		
Note:	The function blocks with a lower run sequence value are calculated before function blocks with a higher run sequence value.		
p20188[0...1]	BI: RSR 0 inputs / RSR 0 inputs		
CU250S_V (FBLOCKS)	Access level: 3	Calculated: -	Data type: U32 / Binary
CU250S_V_CAN (FBLOCKS)	Can be changed: T	Scaling: -	Dyn. index: -
CU250S_V_DP (FBLOCKS)	Units group: -	Unit selection: -	Func. diagram: 7240
CU250S_V_PN (FBLOCKS)	Min	Max	Factory setting
	-	-	0
Description:	Sets the signal source for set input S and reset input R of instance RSR 0 of the RS flipflop.		
Index:	[0] = Set S [1] = Reset R		
r20189	BO: RSR 0 output Q / RSR 0 output Q		
CU250S_V (FBLOCKS)	Access level: 3	Calculated: -	Data type: Unsigned32
CU250S_V_CAN (FBLOCKS)	Can be changed: -	Scaling: -	Dyn. index: -
CU250S_V_DP (FBLOCKS)	Units group: -	Unit selection: -	Func. diagram: 7240
CU250S_V_PN (FBLOCKS)	Min	Max	Factory setting
	-	-	-
Description:	Display parameter for output Q of instance RSR 0 of the RS flipflop		

2 Parameters

2.2 List of parameters

r20190	BO: RSR 0 inverted output QN / RSR 0 inv outp QN		
CU250S_V (FBLOCKS)	Access level: 3	Calculated: -	Data type: Unsigned32
CU250S_V_CAN (FBLOCKS)	Can be changed: -	Scaling: -	Dyn. index: -
CU250S_V_DP (FBLOCKS)	Units group: -	Unit selection: -	Func. diagram: 7240
CU250S_V_PN (FBLOCKS)	Min	Max	Factory setting
	-	-	-
Description:	Display parameter for inverted output QN of instance RSR 0 of the RS flipflop.		
p20191	RSR 0 run-time group / RSR 0 RTG		
CU250S_V (FBLOCKS)	Access level: 3	Calculated: -	Data type: Integer16
CU250S_V_CAN (FBLOCKS)	Can be changed: T	Scaling: -	Dyn. index: -
CU250S_V_DP (FBLOCKS)	Units group: -	Unit selection: -	Func. diagram: 7240
CU250S_V_PN (FBLOCKS)	Min	Max	Factory setting
	1	9999	9999
Description:	Setting parameter for the run-time group in which instance RSR 0 of the RS flipflop is to be called.		
Value:	1: Run-time group 1 2: Run-time group 2 3: Run-time group 3 4: Run-time group 4 5: Run-time group 5 6: Run-time group 6 9999: Do not calculate		
p20192	RSR 0 run sequence / RSR 0 RunSeq		
CU250S_V (FBLOCKS)	Access level: 3	Calculated: -	Data type: Unsigned16
CU250S_V_CAN (FBLOCKS)	Can be changed: T	Scaling: -	Dyn. index: -
CU250S_V_DP (FBLOCKS)	Units group: -	Unit selection: -	Func. diagram: 7240
CU250S_V_PN (FBLOCKS)	Min	Max	Factory setting
	0	7999	520
Description:	Setting parameter for the run sequence of instance RSR 0 within the run-time group set in p20191.		
Note:	The function blocks with a lower run sequence value are calculated before function blocks with a higher run sequence value.		
p20193[0...1]	BI: RSR 1 inputs / RSR 1 inputs		
CU250S_V (FBLOCKS)	Access level: 3	Calculated: -	Data type: U32 / Binary
CU250S_V_CAN (FBLOCKS)	Can be changed: T	Scaling: -	Dyn. index: -
CU250S_V_DP (FBLOCKS)	Units group: -	Unit selection: -	Func. diagram: 7240
CU250S_V_PN (FBLOCKS)	Min	Max	Factory setting
	-	-	0
Description:	Sets the signal source for set input S and reset input R of instance RSR 1 of the RS flipflop.		
Index:	[0] = Set S [1] = Reset R		

r20194	BO: RSR 1 output Q / RSR 1 output Q		
CU250S_V (FBLOCKS)	Access level: 3	Calculated: -	Data type: Unsigned32
CU250S_V_CAN (FBLOCKS)	Can be changed: -	Scaling: -	Dyn. index: -
CU250S_V_DP (FBLOCKS)	Units group: -	Unit selection: -	Func. diagram: 7240
CU250S_V_PN (FBLOCKS)	Min	Max	Factory setting
	-	-	-
Description:	Display parameter for output Q of instance RSR 1 of the RS flipflop		
r20195	BO: RSR 1 inverted output QN / RSR 1 inv outp QN		
CU250S_V (FBLOCKS)	Access level: 3	Calculated: -	Data type: Unsigned32
CU250S_V_CAN (FBLOCKS)	Can be changed: -	Scaling: -	Dyn. index: -
CU250S_V_DP (FBLOCKS)	Units group: -	Unit selection: -	Func. diagram: 7240
CU250S_V_PN (FBLOCKS)	Min	Max	Factory setting
	-	-	-
Description:	Display parameter for inverted output QN of instance RSR 1 of the RS flipflop.		
p20196	RSR 1 run-time group / RSR 1 RTG		
CU250S_V (FBLOCKS)	Access level: 3	Calculated: -	Data type: Integer16
CU250S_V_CAN (FBLOCKS)	Can be changed: T	Scaling: -	Dyn. index: -
CU250S_V_DP (FBLOCKS)	Units group: -	Unit selection: -	Func. diagram: 7240
CU250S_V_PN (FBLOCKS)	Min	Max	Factory setting
	1	9999	9999
Description:	Setting parameter for the run-time group in which instance RSR 1 of the RS flipflop is to be called.		
Value:	1: Run-time group 1 2: Run-time group 2 3: Run-time group 3 4: Run-time group 4 5: Run-time group 5 6: Run-time group 6 9999: Do not calculate		
p20197	RSR 1 run sequence / RSR 1 RunSeq		
CU250S_V (FBLOCKS)	Access level: 3	Calculated: -	Data type: Unsigned16
CU250S_V_CAN (FBLOCKS)	Can be changed: T	Scaling: -	Dyn. index: -
CU250S_V_DP (FBLOCKS)	Units group: -	Unit selection: -	Func. diagram: 7240
CU250S_V_PN (FBLOCKS)	Min	Max	Factory setting
	0	7999	530
Description:	Setting parameter for the run sequence of instance RSR 1 within the run-time group set in p20196.		
Note:	The function blocks with a lower run sequence value are calculated before function blocks with a higher run sequence value.		

2 Parameters

2.2 List of parameters

p20198[0...3]	BI: DFR 0 inputs / DFR 0 inputs		
CU250S_V (FBLOCKS)	Access level: 3	Calculated: -	Data type: U32 / Binary
CU250S_V_CAN (FBLOCKS)	Can be changed: T	Scaling: -	Dyn. index: -
CU250S_V_DP (FBLOCKS)	Units group: -	Unit selection: -	Func. diagram: 7240
CU250S_V_PN (FBLOCKS)	Min	Max	Factory setting
	-	-	0
Description:	Sets the signal source for trigger input I, D input D, set input S, and reset input R of instance DFR 0 of the D flipflop.		
Index:	[0] = Trigger input I [1] = D input D [2] = Set S [3] = Reset R		
<hr/>			
r20199	BO: DFR 0 output Q / DFR 0 output Q		
CU250S_V (FBLOCKS)	Access level: 3	Calculated: -	Data type: Unsigned32
CU250S_V_CAN (FBLOCKS)	Can be changed: -	Scaling: -	Dyn. index: -
CU250S_V_DP (FBLOCKS)	Units group: -	Unit selection: -	Func. diagram: 7240
CU250S_V_PN (FBLOCKS)	Min	Max	Factory setting
	-	-	-
Description:	Display parameter for output Q of instance DFR 0 of the D flipflop.		
<hr/>			
r20200	BO: DFR 0 inverted output QN / DFR 0 inv outp QN		
CU250S_V (FBLOCKS)	Access level: 3	Calculated: -	Data type: Unsigned32
CU250S_V_CAN (FBLOCKS)	Can be changed: -	Scaling: -	Dyn. index: -
CU250S_V_DP (FBLOCKS)	Units group: -	Unit selection: -	Func. diagram: 7240
CU250S_V_PN (FBLOCKS)	Min	Max	Factory setting
	-	-	-
Description:	Display parameter for the inverted output QN of instance DFR 0 of the D flipflop.		
<hr/>			
p20201	DFR 0 run-time group / DFR 0 RTG		
CU250S_V (FBLOCKS)	Access level: 3	Calculated: -	Data type: Integer16
CU250S_V_CAN (FBLOCKS)	Can be changed: T	Scaling: -	Dyn. index: -
CU250S_V_DP (FBLOCKS)	Units group: -	Unit selection: -	Func. diagram: 7240
CU250S_V_PN (FBLOCKS)	Min	Max	Factory setting
	1	9999	9999
Description:	Setting parameter for the run-time group in which instance DFR 0 of the D flipflop is to be called.		
Value:	1: Run-time group 1 2: Run-time group 2 3: Run-time group 3 4: Run-time group 4 5: Run-time group 5 6: Run-time group 6 9999: Do not calculate		

p20202	DFR 0 run sequence / DFR 0 RunSeq		
CU250S_V (FBLOCKS)	Access level: 3	Calculated: -	Data type: Unsigned16
CU250S_V_CAN (FBLOCKS)	Can be changed: T	Scaling: -	Dyn. index: -
CU250S_V_DP (FBLOCKS)	Units group: -	Unit selection: -	Func. diagram: 7240
CU250S_V_PN (FBLOCKS)	Min	Max	Factory setting
	0	32000	550
Description:	Setting parameter for the run sequence of instance DFR 0 within the run-time group set in p20201.		
Note:	The function blocks with a lower run sequence value are calculated before function blocks with a higher run sequence value.		
p20203[0...3]	BI: DFR 1 inputs / DFR 1 inputs		
CU250S_V (FBLOCKS)	Access level: 3	Calculated: -	Data type: U32 / Binary
CU250S_V_CAN (FBLOCKS)	Can be changed: T	Scaling: -	Dyn. index: -
CU250S_V_DP (FBLOCKS)	Units group: -	Unit selection: -	Func. diagram: 7240
CU250S_V_PN (FBLOCKS)	Min	Max	Factory setting
	-	-	0
Description:	Sets the signal source for trigger input I, D input D, set input S, and reset input R of instance DFR 1 of the D flipflop.		
Index:	[0] = Trigger input I [1] = D input D [2] = Set S [3] = Reset R		
r20204	BO: DFR 1 output Q / DFR 1 output Q		
CU250S_V (FBLOCKS)	Access level: 3	Calculated: -	Data type: Unsigned32
CU250S_V_CAN (FBLOCKS)	Can be changed: -	Scaling: -	Dyn. index: -
CU250S_V_DP (FBLOCKS)	Units group: -	Unit selection: -	Func. diagram: 7240
CU250S_V_PN (FBLOCKS)	Min	Max	Factory setting
	-	-	-
Description:	Display parameter for output Q of instance DFR 1 of the D flipflop.		
r20205	BO: DFR 1 inverted output QN / DFR 1 inv outp QN		
CU250S_V (FBLOCKS)	Access level: 3	Calculated: -	Data type: Unsigned32
CU250S_V_CAN (FBLOCKS)	Can be changed: -	Scaling: -	Dyn. index: -
CU250S_V_DP (FBLOCKS)	Units group: -	Unit selection: -	Func. diagram: 7240
CU250S_V_PN (FBLOCKS)	Min	Max	Factory setting
	-	-	-
Description:	Display parameter for the inverted output QN of instance DFR 1 of the D flipflop.		

2 Parameters

2.2 List of parameters

p20206	DFR 1 run-time group / DFR 1 RTG		
CU250S_V (FBLOCKS)	Access level: 3	Calculated: -	Data type: Integer16
CU250S_V_CAN (FBLOCKS)	Can be changed: T	Scaling: -	Dyn. index: -
CU250S_V_DP (FBLOCKS)	Units group: -	Unit selection: -	Func. diagram: 7240
CU250S_V_PN (FBLOCKS)	Min	Max	Factory setting
	1	9999	9999
Description:	Setting parameter for the run-time group in which instance DFR 1 of the D flipflop is to be called.		
Value:	1: Run-time group 1 2: Run-time group 2 3: Run-time group 3 4: Run-time group 4 5: Run-time group 5 6: Run-time group 6 9999: Do not calculate		

p20207	DFR 1 run sequence / DFR 1 RunSeq		
CU250S_V (FBLOCKS)	Access level: 3	Calculated: -	Data type: Unsigned16
CU250S_V_CAN (FBLOCKS)	Can be changed: T	Scaling: -	Dyn. index: -
CU250S_V_DP (FBLOCKS)	Units group: -	Unit selection: -	Func. diagram: 7240
CU250S_V_PN (FBLOCKS)	Min	Max	Factory setting
	0	32000	560
Description:	Setting parameter for the run-time group of instance DFR 1 within the run-time group set in p20206.		
Note:	The function blocks with a lower run sequence value are calculated before function blocks with a higher run sequence value.		

p20208[0...1]	BI: BSW 0 inputs / BSW 0 inputs		
CU250S_V (FBLOCKS)	Access level: 3	Calculated: -	Data type: U32 / Binary
CU250S_V_CAN (FBLOCKS)	Can be changed: T	Scaling: -	Dyn. index: -
CU250S_V_DP (FBLOCKS)	Units group: -	Unit selection: -	Func. diagram: 7250
CU250S_V_PN (FBLOCKS)	Min	Max	Factory setting
	-	-	0
Description:	Sets the signal source of input quantities I0 and I1 of instance BSW 0 of the binary changeover switch.		
Index:	[0] = Input I0 [1] = Input I1		

p20209	BI: BSW 0 switch setting I / BSW 0 sw_setting		
CU250S_V (FBLOCKS)	Access level: 3	Calculated: -	Data type: U32 / Binary
CU250S_V_CAN (FBLOCKS)	Can be changed: T	Scaling: -	Dyn. index: -
CU250S_V_DP (FBLOCKS)	Units group: -	Unit selection: -	Func. diagram: 7250
CU250S_V_PN (FBLOCKS)	Min	Max	Factory setting
	-	-	0
Description:	Sets the signal source of the switch setting I of instance BSW 0 of the binary changeover switch.		

r20210	BO: BSW 0 output Q / BSW 0 output Q		
CU250S_V (FBLOCKS)	Access level: 3	Calculated: -	Data type: Unsigned32
CU250S_V_CAN (FBLOCKS)	Can be changed: -	Scaling: -	Dyn. index: -
CU250S_V_DP (FBLOCKS)	Units group: -	Unit selection: -	Func. diagram: 7250
CU250S_V_PN (FBLOCKS)	Min	Max	Factory setting
	-	-	-
Description:	Display parameter for output quantity Q of instance BSW 0 of the binary changeover switch.		
p20211	BSW 0 run-time group / BSW 0 RTG		
CU250S_V (FBLOCKS)	Access level: 3	Calculated: -	Data type: Integer16
CU250S_V_CAN (FBLOCKS)	Can be changed: T	Scaling: -	Dyn. index: -
CU250S_V_DP (FBLOCKS)	Units group: -	Unit selection: -	Func. diagram: 7250
CU250S_V_PN (FBLOCKS)	Min	Max	Factory setting
	1	9999	9999
Description:	Setting parameter for the run-time group in which the instance BSW 0 of the binary changeover switch is to be called.		
Value:	1: Run-time group 1 2: Run-time group 2 3: Run-time group 3 4: Run-time group 4 5: Run-time group 5 6: Run-time group 6 9999: Do not calculate		
p20212	BSW 0 run sequence / BSW 0 RunSeq		
CU250S_V (FBLOCKS)	Access level: 3	Calculated: -	Data type: Unsigned16
CU250S_V_CAN (FBLOCKS)	Can be changed: T	Scaling: -	Dyn. index: -
CU250S_V_DP (FBLOCKS)	Units group: -	Unit selection: -	Func. diagram: 7250
CU250S_V_PN (FBLOCKS)	Min	Max	Factory setting
	0	7999	580
Description:	Setting parameter for the run sequence of instance BSW 0 within the run-time group set in p20211.		
Note:	The function blocks with a lower run sequence value are calculated before function blocks with a higher run sequence value.		
p20213[0...1]	BI: BSW 1 inputs / BSW 1 inputs		
CU250S_V (FBLOCKS)	Access level: 3	Calculated: -	Data type: U32 / Binary
CU250S_V_CAN (FBLOCKS)	Can be changed: T	Scaling: -	Dyn. index: -
CU250S_V_DP (FBLOCKS)	Units group: -	Unit selection: -	Func. diagram: 7250
CU250S_V_PN (FBLOCKS)	Min	Max	Factory setting
	-	-	0
Description:	Sets the signal source of input quantities I0 and I1 of instance BSW 1 of the binary changeover switch.		
Index:	[0] = Input I0 [1] = Input I1		

2 Parameters

2.2 List of parameters

p20214	BI: BSW 1 switch setting I / BSW 1 sw_setting		
CU250S_V (FBLOCKS)	Access level: 3	Calculated: -	Data type: U32 / Binary
CU250S_V_CAN (FBLOCKS)	Can be changed: T	Scaling: -	Dyn. index: -
CU250S_V_DP (FBLOCKS)	Units group: -	Unit selection: -	Func. diagram: 7250
CU250S_V_PN (FBLOCKS)	Min	Max	Factory setting
	-	-	0
Description:	Sets the signal source of the switch setting I of instance BSW 1 of the binary changeover switch.		
<hr/>			
r20215	BO: BSW 1 output Q / BSW 1 output Q		
CU250S_V (FBLOCKS)	Access level: 3	Calculated: -	Data type: Unsigned32
CU250S_V_CAN (FBLOCKS)	Can be changed: -	Scaling: -	Dyn. index: -
CU250S_V_DP (FBLOCKS)	Units group: -	Unit selection: -	Func. diagram: 7250
CU250S_V_PN (FBLOCKS)	Min	Max	Factory setting
	-	-	-
Description:	Display parameter for output quantity Q of instance BSW 1 of the binary changeover switch.		
<hr/>			
p20216	BSW 1 run-time group / BSW 1 RTG		
CU250S_V (FBLOCKS)	Access level: 3	Calculated: -	Data type: Integer16
CU250S_V_CAN (FBLOCKS)	Can be changed: T	Scaling: -	Dyn. index: -
CU250S_V_DP (FBLOCKS)	Units group: -	Unit selection: -	Func. diagram: 7250
CU250S_V_PN (FBLOCKS)	Min	Max	Factory setting
	1	9999	9999
Description:	Setting parameter for the run-time group in which the instance BSW 1 of the binary changeover switch is to be called.		
Value:	1: Run-time group 1 2: Run-time group 2 3: Run-time group 3 4: Run-time group 4 5: Run-time group 5 6: Run-time group 6 9999: Do not calculate		
<hr/>			
p20217	BSW 1 run sequence / BSW 1 RunSeq		
CU250S_V (FBLOCKS)	Access level: 3	Calculated: -	Data type: Unsigned16
CU250S_V_CAN (FBLOCKS)	Can be changed: T	Scaling: -	Dyn. index: -
CU250S_V_DP (FBLOCKS)	Units group: -	Unit selection: -	Func. diagram: 7250
CU250S_V_PN (FBLOCKS)	Min	Max	Factory setting
	0	7999	590
Description:	Setting parameter for the run sequence of instance BSW 1 within the run-time group set in p20216.		
Note:	The function blocks with a lower run sequence value are calculated before function blocks with a higher run sequence value.		

p20218[0...1]	CI: NSW 0 inputs / NSW 0 inputs		
CU250S_V (FBLOCKS)	Access level: 3	Calculated: -	Data type: U32 / FloatingPoint32
CU250S_V_CAN (FBLOCKS)	Can be changed: T	Scaling: PERCENT	Dyn. index: -
CU250S_V_DP (FBLOCKS)	Units group: -	Unit selection: -	Func. diagram: 7250
CU250S_V_PN (FBLOCKS)	Min	Max	Factory setting
	-	-	0
Description:	Sets the signal source of input quantities X0 and X1 of instance NSW 0 of the numeric changeover switch.		
Index:	[0] = Input X0 [1] = Input X1		

p20219	BI: NSW 0 switch setting I / NSW 0 sw_setting		
CU250S_V (FBLOCKS)	Access level: 3	Calculated: -	Data type: U32 / Binary
CU250S_V_CAN (FBLOCKS)	Can be changed: T	Scaling: -	Dyn. index: -
CU250S_V_DP (FBLOCKS)	Units group: -	Unit selection: -	Func. diagram: 7250
CU250S_V_PN (FBLOCKS)	Min	Max	Factory setting
	-	-	0
Description:	Sets the signal source of the switch setting I of instance NSW 0 of the numeric changeover switch.		

r20220	CO: NSW 0 output Y / NSW 0 output Y		
CU250S_V (FBLOCKS)	Access level: 3	Calculated: -	Data type: FloatingPoint32
CU250S_V_CAN (FBLOCKS)	Can be changed: -	Scaling: PERCENT	Dyn. index: -
CU250S_V_DP (FBLOCKS)	Units group: -	Unit selection: -	Func. diagram: 7250
CU250S_V_PN (FBLOCKS)	Min	Max	Factory setting
	-	-	-
Description:	Display parameter for output quantity Y of instance NSW 0 of the numeric changeover switch.		

p20221	NSW 0 run-time group / NSW 0 RTG		
CU250S_V (FBLOCKS)	Access level: 3	Calculated: -	Data type: Integer16
CU250S_V_CAN (FBLOCKS)	Can be changed: T	Scaling: -	Dyn. index: -
CU250S_V_DP (FBLOCKS)	Units group: -	Unit selection: -	Func. diagram: 7250
CU250S_V_PN (FBLOCKS)	Min	Max	Factory setting
	5	9999	9999
Description:	Setting parameter for the run-time group in which the instance NSW 0 of the numeric changeover switch is to be called.		
Value:	5: Run-time group 5 6: Run-time group 6 9999: Do not calculate		

2 Parameters

2.2 List of parameters

p20222	NSW 0 run sequence / NSW 0 RunSeq		
CU250S_V (FBLOCKS)	Access level: 3	Calculated: -	Data type: Unsigned16
CU250S_V_CAN (FBLOCKS)	Can be changed: T	Scaling: -	Dyn. index: -
CU250S_V_DP (FBLOCKS)	Units group: -	Unit selection: -	Func. diagram: 7250
CU250S_V_PN (FBLOCKS)	Min	Max	Factory setting
	0	32000	610
Description:	Setting parameter for the run sequence of instance NSW 0 within the run-time group set in p20221.		
Note:	The function blocks with a lower run sequence value are calculated before function blocks with a higher run sequence value.		
p20223[0...1]	CI: NSW 1 inputs / NSW 1 inputs		
CU250S_V (FBLOCKS)	Access level: 3	Calculated: -	Data type: U32 / FloatingPoint32
CU250S_V_CAN (FBLOCKS)	Can be changed: T	Scaling: PERCENT	Dyn. index: -
CU250S_V_DP (FBLOCKS)	Units group: -	Unit selection: -	Func. diagram: 7250
CU250S_V_PN (FBLOCKS)	Min	Max	Factory setting
	-	-	0
Description:	Sets the signal source of input quantities X0 and X1 of instance NSW 1 of the numeric changeover switch.		
Index:	[0] = Input X0 [1] = Input X1		
p20224	BI: NSW 1 switch setting I / NSW 1 sw_setting		
CU250S_V (FBLOCKS)	Access level: 3	Calculated: -	Data type: U32 / Binary
CU250S_V_CAN (FBLOCKS)	Can be changed: T	Scaling: -	Dyn. index: -
CU250S_V_DP (FBLOCKS)	Units group: -	Unit selection: -	Func. diagram: 7250
CU250S_V_PN (FBLOCKS)	Min	Max	Factory setting
	-	-	0
Description:	Sets the signal source of the switch setting I of instance NSW 1 of the numeric changeover switch.		
r20225	CO: NSW 1 output Y / NSW 1 output Y		
CU250S_V (FBLOCKS)	Access level: 3	Calculated: -	Data type: FloatingPoint32
CU250S_V_CAN (FBLOCKS)	Can be changed: -	Scaling: PERCENT	Dyn. index: -
CU250S_V_DP (FBLOCKS)	Units group: -	Unit selection: -	Func. diagram: 7250
CU250S_V_PN (FBLOCKS)	Min	Max	Factory setting
	-	-	-
Description:	Display parameter for output quantity Y of instance NSW 1 of the numeric changeover switch.		

p20226	NSW 1 run-time group / NSW 1 RTG		
CU250S_V (FBLOCKS)	Access level: 3	Calculated: -	Data type: Integer16
CU250S_V_CAN (FBLOCKS)	Can be changed: T	Scaling: -	Dyn. index: -
CU250S_V_DP (FBLOCKS)	Units group: -	Unit selection: -	Func. diagram: 7250
CU250S_V_PN (FBLOCKS)	Min	Max	Factory setting
	5	9999	9999
Description:	Setting parameter for the run-time group in which the instance NSW 1 of the numeric changeover switch is to be called.		
Value:	5: Run-time group 5 6: Run-time group 6 9999: Do not calculate		
p20227	NSW 1 run sequence / NSW 1 RunSeq		
CU250S_V (FBLOCKS)	Access level: 3	Calculated: -	Data type: Unsigned16
CU250S_V_CAN (FBLOCKS)	Can be changed: T	Scaling: -	Dyn. index: -
CU250S_V_DP (FBLOCKS)	Units group: -	Unit selection: -	Func. diagram: 7250
CU250S_V_PN (FBLOCKS)	Min	Max	Factory setting
	0	32000	620
Description:	Setting parameter for the run sequence of instance NSW 1 within the run-time group set in p20226.		
Note:	The function blocks with a lower run sequence value are calculated before function blocks with a higher run sequence value.		
p20228	CI: LIM 0 input X / LIM 0 input X		
CU250S_V (FBLOCKS)	Access level: 3	Calculated: -	Data type: U32 / FloatingPoint32
CU250S_V_CAN (FBLOCKS)	Can be changed: T	Scaling: PERCENT	Dyn. index: -
CU250S_V_DP (FBLOCKS)	Units group: -	Unit selection: -	Func. diagram: 7260
CU250S_V_PN (FBLOCKS)	Min	Max	Factory setting
	-	-	0
Description:	Sets the signal source of input quantity X of instance LIM 0 of the limiter.		
p20229	LIM 0 upper limit value LU / LIM 0 upper lim LU		
CU250S_V (FBLOCKS)	Access level: 3	Calculated: -	Data type: FloatingPoint32
CU250S_V_CAN (FBLOCKS)	Can be changed: T	Scaling: -	Dyn. index: -
CU250S_V_DP (FBLOCKS)	Units group: -	Unit selection: -	Func. diagram: 7260
CU250S_V_PN (FBLOCKS)	Min	Max	Factory setting
	-340.28235E36	340.28235E36	0.0000
Description:	Setting parameter for the upper limit value LU of instance LIM 0 of the limiter.		

2 Parameters

2.2 List of parameters

p20230	LIM 0 lower limit value LL / LIM 0 lower lim LL		
CU250S_V (FBLOCKS)	Access level: 3	Calculated: -	Data type: FloatingPoint32
CU250S_V_CAN (FBLOCKS)	Can be changed: T	Scaling: -	Dyn. index: -
CU250S_V_DP (FBLOCKS)	Units group: -	Unit selection: -	Func. diagram: 7260
CU250S_V_PN (FBLOCKS)	Min	Max	Factory setting
	-340.28235E36	340.28235E36	0.0000
Description:	Setting parameter for the lower limit value LL of instance LIM 0 of the limiter.		
r20231	CO: LIM 0 output Y / LIM 0 output Y		
CU250S_V (FBLOCKS)	Access level: 3	Calculated: -	Data type: FloatingPoint32
CU250S_V_CAN (FBLOCKS)	Can be changed: -	Scaling: PERCENT	Dyn. index: -
CU250S_V_DP (FBLOCKS)	Units group: -	Unit selection: -	Func. diagram: 7260
CU250S_V_PN (FBLOCKS)	Min	Max	Factory setting
	-	-	-
Description:	Display parameter for the limited output quantity Y of instance LIM 0 of the limiter.		
r20232	BO: LIM 0 input quantity at the upper limit QU / LIM 0 QU		
CU250S_V (FBLOCKS)	Access level: 3	Calculated: -	Data type: Unsigned32
CU250S_V_CAN (FBLOCKS)	Can be changed: -	Scaling: -	Dyn. index: -
CU250S_V_DP (FBLOCKS)	Units group: -	Unit selection: -	Func. diagram: 7260
CU250S_V_PN (FBLOCKS)	Min	Max	Factory setting
	-	-	-
Description:	Display parameter of instance LIM 0 of limiter QU (upper limit reached), i.e. QU = 1 for X >= LU.		
r20233	BO: LIM 0 input quantity at the lower limit QL / LIM 0 QL		
CU250S_V (FBLOCKS)	Access level: 3	Calculated: -	Data type: Unsigned32
CU250S_V_CAN (FBLOCKS)	Can be changed: -	Scaling: -	Dyn. index: -
CU250S_V_DP (FBLOCKS)	Units group: -	Unit selection: -	Func. diagram: 7260
CU250S_V_PN (FBLOCKS)	Min	Max	Factory setting
	-	-	-
Description:	Display parameter of instance LIM 0 of limiter QL (lower limit reached), i.e. QL = 1 for X <= LL.		
p20234	LIM 0 run-time group / LIM 0 RTG		
CU250S_V (FBLOCKS)	Access level: 3	Calculated: -	Data type: Integer16
CU250S_V_CAN (FBLOCKS)	Can be changed: T	Scaling: -	Dyn. index: -
CU250S_V_DP (FBLOCKS)	Units group: -	Unit selection: -	Func. diagram: 7260
CU250S_V_PN (FBLOCKS)	Min	Max	Factory setting
	5	9999	9999
Description:	Setting parameter for the run-time group in which instance LIM 0 of the limiter is to be called.		
Value:	5: Run-time group 5 6: Run-time group 6 9999: Do not calculate		

p20235	LIM 0 run sequence / LIM 0 RunSeq		
CU250S_V (FBLOCKS)	Access level: 3	Calculated: -	Data type: Unsigned16
CU250S_V_CAN (FBLOCKS)	Can be changed: T	Scaling: -	Dyn. index: -
CU250S_V_DP (FBLOCKS)	Units group: -	Unit selection: -	Func. diagram: 7260
CU250S_V_PN (FBLOCKS)	Min	Max	Factory setting
	0	32000	640
Description:	Setting parameter for the run sequence of instance LIM 0 within the run-time group set in p20234.		
Note:	The function blocks with a lower run sequence value are calculated before function blocks with a higher run sequence value.		
p20236	CI: LIM 1 input X / LIM 1 input X		
CU250S_V (FBLOCKS)	Access level: 3	Calculated: -	Data type: U32 / FloatingPoint32
CU250S_V_CAN (FBLOCKS)	Can be changed: T	Scaling: PERCENT	Dyn. index: -
CU250S_V_DP (FBLOCKS)	Units group: -	Unit selection: -	Func. diagram: 7260
CU250S_V_PN (FBLOCKS)	Min	Max	Factory setting
	-	-	0
Description:	Sets the signal source of input quantity X of instance LIM 1 of the limiter.		
p20237	LIM 1 upper limit value LU / LIM 1 upper lim LU		
CU250S_V (FBLOCKS)	Access level: 3	Calculated: -	Data type: FloatingPoint32
CU250S_V_CAN (FBLOCKS)	Can be changed: T	Scaling: -	Dyn. index: -
CU250S_V_DP (FBLOCKS)	Units group: -	Unit selection: -	Func. diagram: 7260
CU250S_V_PN (FBLOCKS)	Min	Max	Factory setting
	-340.28235E36	340.28235E36	0.0000
Description:	Setting parameter for the upper limit value LU of instance LIM 1 of the limiter.		
p20238	LIM 1 lower limit value LL / LIM 1 lower lim LL		
CU250S_V (FBLOCKS)	Access level: 3	Calculated: -	Data type: FloatingPoint32
CU250S_V_CAN (FBLOCKS)	Can be changed: T	Scaling: -	Dyn. index: -
CU250S_V_DP (FBLOCKS)	Units group: -	Unit selection: -	Func. diagram: 7260
CU250S_V_PN (FBLOCKS)	Min	Max	Factory setting
	-340.28235E36	340.28235E36	0.0000
Description:	Setting parameter for the lower limit value LL of instance LIM 1 of the limiter.		
r20239	CO: LIM 1 output Y / LIM 1 output Y		
CU250S_V (FBLOCKS)	Access level: 3	Calculated: -	Data type: FloatingPoint32
CU250S_V_CAN (FBLOCKS)	Can be changed: -	Scaling: PERCENT	Dyn. index: -
CU250S_V_DP (FBLOCKS)	Units group: -	Unit selection: -	Func. diagram: 7260
CU250S_V_PN (FBLOCKS)	Min	Max	Factory setting
	-	-	-
Description:	Display parameter for the limited output quantity Y of instance LIM 1 of the limiter.		

2 Parameters

2.2 List of parameters

r20240

BO: LIM 1 input quantity at the upper limit QU / LIM 1 QU

CU250S_V (FBLOCKS)	Access level: 3	Calculated: -	Data type: Unsigned32
CU250S_V_CAN (FBLOCKS)	Can be changed: -	Scaling: -	Dyn. index: -
CU250S_V_DP (FBLOCKS)	Units group: -	Unit selection: -	Func. diagram: 7260
CU250S_V_PN (FBLOCKS)	Min	Max	Factory setting
	-	-	-

Description: Display parameter of instance LIM 1 of limiter QU (upper limit reached), i.e. QU = 1 for X >= LU.

r20241

BO: LIM 1 input quantity at the lower limit QL / LIM 1 QL

CU250S_V (FBLOCKS)	Access level: 3	Calculated: -	Data type: Unsigned32
CU250S_V_CAN (FBLOCKS)	Can be changed: -	Scaling: -	Dyn. index: -
CU250S_V_DP (FBLOCKS)	Units group: -	Unit selection: -	Func. diagram: 7260
CU250S_V_PN (FBLOCKS)	Min	Max	Factory setting
	-	-	-

Description: Display parameter of instance LIM 1 of limiter QL (lower limit reached), i.e. QL = 1 for X <= LL.

p20242

LIM 1 run-time group / LIM 1 RTG

CU250S_V (FBLOCKS)	Access level: 3	Calculated: -	Data type: Integer16
CU250S_V_CAN (FBLOCKS)	Can be changed: T	Scaling: -	Dyn. index: -
CU250S_V_DP (FBLOCKS)	Units group: -	Unit selection: -	Func. diagram: 7260
CU250S_V_PN (FBLOCKS)	Min	Max	Factory setting
	5	9999	9999

Description: Setting parameter for the run-time group in which instance LIM 1 of the limiter is to be called.

Value:
 5: Run-time group 5
 6: Run-time group 6
 9999: Do not calculate

p20243

LIM 1 run sequence / LIM 1 RunSeq

CU250S_V (FBLOCKS)	Access level: 3	Calculated: -	Data type: Unsigned16
CU250S_V_CAN (FBLOCKS)	Can be changed: T	Scaling: -	Dyn. index: -
CU250S_V_DP (FBLOCKS)	Units group: -	Unit selection: -	Func. diagram: 7260
CU250S_V_PN (FBLOCKS)	Min	Max	Factory setting
	0	32000	650

Description: Setting parameter for the run sequence of instance LIM 1 within the run-time group set in p20242.

Note: The function blocks with a lower sequence value are calculated before function blocks with a higher run sequence value.

p20244[0...1]	CI: PT1 0 inputs / PT1 0 inputs		
CU250S_V (FBLOCKS)	Access level: 3	Calculated: -	Data type: U32 / FloatingPoint32
CU250S_V_CAN (FBLOCKS)	Can be changed: T	Scaling: PERCENT	Dyn. index: -
CU250S_V_DP (FBLOCKS)	Units group: -	Unit selection: -	Func. diagram: 7262
CU250S_V_PN (FBLOCKS)	Min	Max	Factory setting
	-	-	0
Description:	Sets the signal source of input quantity X and of setting value SV of instance PT1 0 of the smoothing element.		
Index:	[0] = Input X [1] = Setting value SV		

p20245	BI: PT1 0 accept setting value S / PT1 0 acc set val		
CU250S_V (FBLOCKS)	Access level: 3	Calculated: -	Data type: U32 / Binary
CU250S_V_CAN (FBLOCKS)	Can be changed: T	Scaling: -	Dyn. index: -
CU250S_V_DP (FBLOCKS)	Units group: -	Unit selection: -	Func. diagram: 7262
CU250S_V_PN (FBLOCKS)	Min	Max	Factory setting
	-	-	0
Description:	Sets the signal source for the "accept setting value" signal of instant PT1 0 of the smoothing element.		

p20246	PT1 0 smoothing time constant in ms / PT1 0 T_smooth ms		
CU250S_V (FBLOCKS)	Access level: 3	Calculated: -	Data type: FloatingPoint32
CU250S_V_CAN (FBLOCKS)	Can be changed: T	Scaling: -	Dyn. index: -
CU250S_V_DP (FBLOCKS)	Units group: -	Unit selection: -	Func. diagram: 7262
CU250S_V_PN (FBLOCKS)	Min	Max	Factory setting
	0.00	340.28235E36	0.00
Description:	Sets the smoothing time constant T in milliseconds of instance PT1 0 of the smoothing element.		

r20247	CO: PT1 0 output Y / PT1 0 output Y		
CU250S_V (FBLOCKS)	Access level: 3	Calculated: -	Data type: FloatingPoint32
CU250S_V_CAN (FBLOCKS)	Can be changed: -	Scaling: PERCENT	Dyn. index: -
CU250S_V_DP (FBLOCKS)	Units group: -	Unit selection: -	Func. diagram: 7262
CU250S_V_PN (FBLOCKS)	Min	Max	Factory setting
	-	-	-
Description:	Display parameter for the smoothed output quantity Y of instance PT1 0 of the smoothing element.		

2 Parameters

2.2 List of parameters

p20248

PT1 0 run-time group / PT1 0 RTG

CU250S_V (FBLOCKS)	Access level: 3	Calculated: -	Data type: Integer16
CU250S_V_CAN (FBLOCKS)	Can be changed: T	Scaling: -	Dyn. index: -
CU250S_V_DP (FBLOCKS)	Units group: -	Unit selection: -	Func. diagram: 7262
CU250S_V_PN (FBLOCKS)	Min	Max	Factory setting
	5	9999	9999

Description: Setting parameter for the run-time group in which instance PT1 0 of the smoothing element is to be called.
Value: 5: Run-time group 5
6: Run-time group 6
9999: Do not calculate

p20249

PT1 0 run sequence / PT1 0 RunSeq

CU250S_V (FBLOCKS)	Access level: 3	Calculated: -	Data type: Unsigned16
CU250S_V_CAN (FBLOCKS)	Can be changed: T	Scaling: -	Dyn. index: -
CU250S_V_DP (FBLOCKS)	Units group: -	Unit selection: -	Func. diagram: 7262
CU250S_V_PN (FBLOCKS)	Min	Max	Factory setting
	0	32000	670

Description: Setting parameter for the run sequence of instance PT1 0 within the run-time group set in p20248.
Note: The function blocks with a lower run sequence value are calculated before function blocks with a higher run sequence value.

p20250[0...1]

CI: PT1 1 inputs / PT1 1 inputs

CU250S_V (FBLOCKS)	Access level: 3	Calculated: -	Data type: U32 / FloatingPoint32
CU250S_V_CAN (FBLOCKS)	Can be changed: T	Scaling: PERCENT	Dyn. index: -
CU250S_V_DP (FBLOCKS)	Units group: -	Unit selection: -	Func. diagram: 7262
CU250S_V_PN (FBLOCKS)	Min	Max	Factory setting
	-	-	0

Description: Sets the signal source of input quantity X and of setting value SV of instance PT1 1 of the smoothing element.
Index: [0] = Input X
[1] = Setting value SV

p20251

BI: PT1 1 accept setting value S / PT1 1 acc set val

CU250S_V (FBLOCKS)	Access level: 3	Calculated: -	Data type: U32 / Binary
CU250S_V_CAN (FBLOCKS)	Can be changed: T	Scaling: -	Dyn. index: -
CU250S_V_DP (FBLOCKS)	Units group: -	Unit selection: -	Func. diagram: 7262
CU250S_V_PN (FBLOCKS)	Min	Max	Factory setting
	-	-	0

Description: Sets the signal source for the "accept setting value" signal of instant PT1 1 of the smoothing element.

p20252	PT1 1 smoothing time constant in ms / PT1 1 T_smooth ms		
CU250S_V (FBLOCKS)	Access level: 3	Calculated: -	Data type: FloatingPoint32
CU250S_V_CAN (FBLOCKS)	Can be changed: T	Scaling: -	Dyn. index: -
CU250S_V_DP (FBLOCKS)	Units group: -	Unit selection: -	Func. diagram: 7262
CU250S_V_PN (FBLOCKS)	Min 0.00	Max 340.28235E36	Factory setting 0.00
Description:	Sets the smoothing time constant T in milliseconds of instance PT1 1 of the smoothing element.		
r20253	CO: PT1 1 output Y / PT1 1 output Y		
CU250S_V (FBLOCKS)	Access level: 3	Calculated: -	Data type: FloatingPoint32
CU250S_V_CAN (FBLOCKS)	Can be changed: -	Scaling: PERCENT	Dyn. index: -
CU250S_V_DP (FBLOCKS)	Units group: -	Unit selection: -	Func. diagram: 7262
CU250S_V_PN (FBLOCKS)	Min -	Max -	Factory setting -
Description:	Display parameter for the smoothed output quantity Y of instance PT1 1 of the smoothing element.		
p20254	PT1 1 run-time group / PT1 1 RTG		
CU250S_V (FBLOCKS)	Access level: 3	Calculated: -	Data type: Integer16
CU250S_V_CAN (FBLOCKS)	Can be changed: T	Scaling: -	Dyn. index: -
CU250S_V_DP (FBLOCKS)	Units group: -	Unit selection: -	Func. diagram: 7262
CU250S_V_PN (FBLOCKS)	Min 5	Max 9999	Factory setting 9999
Description:	Setting parameter for the run-time group in which instance PT1 1 of the smoothing element is to be called.		
Value:	5: Run-time group 5 6: Run-time group 6 9999: Do not calculate		
p20255	PT1 1 run sequence / PT1 1 RunSeq		
CU250S_V (FBLOCKS)	Access level: 3	Calculated: -	Data type: Unsigned16
CU250S_V_CAN (FBLOCKS)	Can be changed: T	Scaling: -	Dyn. index: -
CU250S_V_DP (FBLOCKS)	Units group: -	Unit selection: -	Func. diagram: 7262
CU250S_V_PN (FBLOCKS)	Min 0	Max 32000	Factory setting 680
Description:	Setting parameter for the run sequence of instance PT1 1 within the run-time group set in p20254.		
Note:	The function blocks with a lower run sequence value are calculated before function blocks with a higher run sequence value.		

2 Parameters

2.2 List of parameters

p20256[0...1]	CI: INT 0 inputs / INT 0 inputs		
CU250S_V (FBLOCKS)	Access level: 3	Calculated: -	Data type: U32 / FloatingPoint32
CU250S_V_CAN (FBLOCKS)	Can be changed: T	Scaling: PERCENT	Dyn. index: -
CU250S_V_DP (FBLOCKS)	Units group: -	Unit selection: -	Func. diagram: 7264
CU250S_V_PN (FBLOCKS)	Min	Max	Factory setting
	-	-	0
Description:	Sets the signal source of input quantity X and of setting value SV of instance INT 0 of the integrator.		
Index:	[0] = Input X [1] = Setting value SV		

p20257	INT 0 upper limit value LU / INT 0 upper lim LU		
CU250S_V (FBLOCKS)	Access level: 3	Calculated: -	Data type: FloatingPoint32
CU250S_V_CAN (FBLOCKS)	Can be changed: T	Scaling: -	Dyn. index: -
CU250S_V_DP (FBLOCKS)	Units group: -	Unit selection: -	Func. diagram: 7264
CU250S_V_PN (FBLOCKS)	Min	Max	Factory setting
	-340.28235E36	340.28235E36	0.0000
Description:	Sets the upper limit value LU of instance INT 0 of the integrator.		

p20258	INT 0 lower limit value LL / INT 0 lower lim LL		
CU250S_V (FBLOCKS)	Access level: 3	Calculated: -	Data type: FloatingPoint32
CU250S_V_CAN (FBLOCKS)	Can be changed: T	Scaling: -	Dyn. index: -
CU250S_V_DP (FBLOCKS)	Units group: -	Unit selection: -	Func. diagram: 7264
CU250S_V_PN (FBLOCKS)	Min	Max	Factory setting
	-340.28235E36	340.28235E36	0.0000
Description:	Sets the lower limit value LL of instance INT 0 of the integrator.		

p20259	INT 0 integrating time constant in ms / INT 0 T_Integr ms		
CU250S_V (FBLOCKS)	Access level: 3	Calculated: -	Data type: FloatingPoint32
CU250S_V_CAN (FBLOCKS)	Can be changed: T	Scaling: -	Dyn. index: -
CU250S_V_DP (FBLOCKS)	Units group: -	Unit selection: -	Func. diagram: 7264
CU250S_V_PN (FBLOCKS)	Min	Max	Factory setting
	0.00	340.28235E36	0.00
Description:	Sets the integrating time constant Ti in milliseconds of instance INT 0 of the integrator.		

p20260	BI: INT 0 accept setting value S / INT 0 acc set val		
CU250S_V (FBLOCKS)	Access level: 3	Calculated: -	Data type: U32 / Binary
CU250S_V_CAN (FBLOCKS)	Can be changed: T	Scaling: -	Dyn. index: -
CU250S_V_DP (FBLOCKS)	Units group: -	Unit selection: -	Func. diagram: 7264
CU250S_V_PN (FBLOCKS)	Min	Max	Factory setting
	-	-	0
Description:	Sets the signal source for the "accept setting value" signal of instant INT 0 of the integrator.		

r20261	CO: INT 0 output Y / INT 0 output Y		
CU250S_V (FBLOCKS)	Access level: 3	Calculated: -	Data type: FloatingPoint32
CU250S_V_CAN (FBLOCKS)	Can be changed: -	Scaling: PERCENT	Dyn. index: -
CU250S_V_DP (FBLOCKS)	Units group: -	Unit selection: -	Func. diagram: 7264
CU250S_V_PN (FBLOCKS)	Min	Max	Factory setting
	-	-	-
Description:	Display parameter for output quantity Y of instance INT 0 of the integrator. If LL>= LU, then the output quantity Y = LU.		
r20262	BO: INT 0 integrator at the upper limit QU / INT 0 QU		
CU250S_V (FBLOCKS)	Access level: 3	Calculated: -	Data type: Unsigned32
CU250S_V_CAN (FBLOCKS)	Can be changed: -	Scaling: -	Dyn. index: -
CU250S_V_DP (FBLOCKS)	Units group: -	Unit selection: -	Func. diagram: 7264
CU250S_V_PN (FBLOCKS)	Min	Max	Factory setting
	-	-	-
Description:	Display parameter for the signal QU that output quantity Y of instance INT 0 of the integrator has reached the upper limit value LU.		
r20263	BO: INT 0 integrator at the lower limit QL / INT 0 QL		
CU250S_V (FBLOCKS)	Access level: 3	Calculated: -	Data type: Unsigned32
CU250S_V_CAN (FBLOCKS)	Can be changed: -	Scaling: -	Dyn. index: -
CU250S_V_DP (FBLOCKS)	Units group: -	Unit selection: -	Func. diagram: 7264
CU250S_V_PN (FBLOCKS)	Min	Max	Factory setting
	-	-	-
Description:	Display parameter for the signal QL that output quantity Y of instance INT 0 of the integrator has reached the lower limit value LL.		
p20264	INT 0 run-time group / INT 0 RTG		
CU250S_V (FBLOCKS)	Access level: 3	Calculated: -	Data type: Integer16
CU250S_V_CAN (FBLOCKS)	Can be changed: T	Scaling: -	Dyn. index: -
CU250S_V_DP (FBLOCKS)	Units group: -	Unit selection: -	Func. diagram: 7264
CU250S_V_PN (FBLOCKS)	Min	Max	Factory setting
	5	9999	9999
Description:	Setting parameter for the run-time group in which instance INT 0 of the integrator is to be called.		
Value:	5: Run-time group 5 6: Run-time group 6 9999: Do not calculate		

2 Parameters

2.2 List of parameters

p20265

INT 0 run sequence / INT 0 RunSeq

CU250S_V (FBLOCKS)	Access level: 3	Calculated: -	Data type: Unsigned16
CU250S_V_CAN (FBLOCKS)	Can be changed: T	Scaling: -	Dyn. index: -
CU250S_V_DP (FBLOCKS)	Units group: -	Unit selection: -	Func. diagram: 7264
CU250S_V_PN (FBLOCKS)	Min	Max	Factory setting
	0	32000	700

Description:

Setting parameter for the run sequence of instance INT 0 within the run-time group set in p20264.

Note:

The function blocks with a lower run sequence value are calculated before function blocks with a higher run sequence value.

p20266

CI: LVM 0 input X / LVM 0 input X

CU250S_V (FBLOCKS)	Access level: 3	Calculated: -	Data type: U32 / FloatingPoint32
CU250S_V_CAN (FBLOCKS)	Can be changed: T	Scaling: PERCENT	Dyn. index: -
CU250S_V_DP (FBLOCKS)	Units group: -	Unit selection: -	Func. diagram: 7270
CU250S_V_PN (FBLOCKS)	Min	Max	Factory setting
	-	-	0

Description:

Sets the signal source of input quantity X of instance LVM 0 of the double-sided limiter.

p20267

LVM 0 interval average value M / LVM 0 avg value M

CU250S_V (FBLOCKS)	Access level: 3	Calculated: -	Data type: FloatingPoint32
CU250S_V_CAN (FBLOCKS)	Can be changed: T	Scaling: -	Dyn. index: -
CU250S_V_DP (FBLOCKS)	Units group: -	Unit selection: -	Func. diagram: 7270
CU250S_V_PN (FBLOCKS)	Min	Max	Factory setting
	-340.28235E36	340.28235E36	0.0000

Description:

Setting parameter for the interval average M of instance LVM 0 of the double-sided limiter.

p20268

LVM 0 interval limit L / LVM 0 limit L

CU250S_V (FBLOCKS)	Access level: 3	Calculated: -	Data type: FloatingPoint32
CU250S_V_CAN (FBLOCKS)	Can be changed: T	Scaling: -	Dyn. index: -
CU250S_V_DP (FBLOCKS)	Units group: -	Unit selection: -	Func. diagram: 7270
CU250S_V_PN (FBLOCKS)	Min	Max	Factory setting
	-340.28235E36	340.28235E36	0.0000

Description:

Setting parameter for the interval limit L of instance LVM 0 of the double-sided limiter.

p20269

LVM 0 hyst HY / LVM 0 hyst HY

CU250S_V (FBLOCKS)	Access level: 3	Calculated: -	Data type: FloatingPoint32
CU250S_V_CAN (FBLOCKS)	Can be changed: T	Scaling: -	Dyn. index: -
CU250S_V_DP (FBLOCKS)	Units group: -	Unit selection: -	Func. diagram: 7270
CU250S_V_PN (FBLOCKS)	Min	Max	Factory setting
	-340.28235E36	340.28235E36	0.0000

Description:

Setting parameter for hysteresis HY of instance LVM 0 of the double-sided limiter.

r20270	BO: LVM 0 input quantity above interval QU / LVM 0 X above QU		
CU250S_V (FBLOCKS)	Access level: 3	Calculated: -	Data type: Unsigned32
CU250S_V_CAN (FBLOCKS)	Can be changed: -	Scaling: -	Dyn. index: -
CU250S_V_DP (FBLOCKS)	Units group: -	Unit selection: -	Func. diagram: 7270
CU250S_V_PN (FBLOCKS)	Min	Max	Factory setting
	-	-	-
Description:	Display parameter of instance LVM 0 of the double-sided limiter that input quantity X was at least once $X > M + L$ and X is $\geq M + L - HY$.		
r20271	BO: LVM 0 input quantity within interval QM / LVM 0 X within QM		
CU250S_V (FBLOCKS)	Access level: 3	Calculated: -	Data type: Unsigned32
CU250S_V_CAN (FBLOCKS)	Can be changed: -	Scaling: -	Dyn. index: -
CU250S_V_DP (FBLOCKS)	Units group: -	Unit selection: -	Func. diagram: 7270
CU250S_V_PN (FBLOCKS)	Min	Max	Factory setting
	-	-	-
Description:	Display parameter of instance LVM 0 of the double-sided limiter that the input quantity X lies within the interval.		
r20272	BO: LVM 0 input quantity below interval QL / LVM 0 X below QL		
CU250S_V (FBLOCKS)	Access level: 3	Calculated: -	Data type: Unsigned32
CU250S_V_CAN (FBLOCKS)	Can be changed: -	Scaling: -	Dyn. index: -
CU250S_V_DP (FBLOCKS)	Units group: -	Unit selection: -	Func. diagram: 7270
CU250S_V_PN (FBLOCKS)	Min	Max	Factory setting
	-	-	-
Description:	Display parameter of instance LVM 0 of the double-sided limiter that input quantity X was at least once $X < M - L$ and X is $\leq M - L + HY$.		
p20273	LVM 0 run-time group / LVM 0 RTG		
CU250S_V (FBLOCKS)	Access level: 3	Calculated: -	Data type: Integer16
CU250S_V_CAN (FBLOCKS)	Can be changed: T	Scaling: -	Dyn. index: -
CU250S_V_DP (FBLOCKS)	Units group: -	Unit selection: -	Func. diagram: 7270
CU250S_V_PN (FBLOCKS)	Min	Max	Factory setting
	5	9999	9999
Description:	Setting parameter for the run-time group in which instance LVM 0 of the double-sided limiter is to be called.		
Value:	5: Run-time group 5 6: Run-time group 6 9999: Do not calculate		

2 Parameters

2.2 List of parameters

p20274	LVM 0 run sequence / LVM 0 RunSeq		
CU250S_V (FBLOCKS)	Access level: 3	Calculated: -	Data type: Unsigned16
CU250S_V_CAN (FBLOCKS)	Can be changed: T	Scaling: -	Dyn. index: -
CU250S_V_DP (FBLOCKS)	Units group: -	Unit selection: -	Func. diagram: 7270
CU250S_V_PN (FBLOCKS)	Min 0	Max 7999	Factory setting 720
Description:	Setting parameter for the run sequence of instance LVM 0 within the run-time group set in p20273.		
Note:	The function blocks with a lower run sequence value are calculated before function blocks with a higher run sequence value.		

p20275	CI: LVM 1 input X / LVM 1 input X		
CU250S_V (FBLOCKS)	Access level: 3	Calculated: -	Data type: U32 / FloatingPoint32
CU250S_V_CAN (FBLOCKS)	Can be changed: T	Scaling: PERCENT	Dyn. index: -
CU250S_V_DP (FBLOCKS)	Units group: -	Unit selection: -	Func. diagram: 7270
CU250S_V_PN (FBLOCKS)	Min -	Max -	Factory setting 0
Description:	Sets the signal source of input quantity X of instance LVM 1 of the double-sided limiter.		

p20276	LVM 1 interval average value M / LVM 1 avg value M		
CU250S_V (FBLOCKS)	Access level: 3	Calculated: -	Data type: FloatingPoint32
CU250S_V_CAN (FBLOCKS)	Can be changed: T	Scaling: -	Dyn. index: -
CU250S_V_DP (FBLOCKS)	Units group: -	Unit selection: -	Func. diagram: 7270
CU250S_V_PN (FBLOCKS)	Min -340.28235E36	Max 340.28235E36	Factory setting 0.0000
Description:	Setting parameter for the interval average M of instance LVM 1 of the double-sided limiter.		

p20277	LVM 1 interval limit L / LVM 1 limit L		
CU250S_V (FBLOCKS)	Access level: 3	Calculated: -	Data type: FloatingPoint32
CU250S_V_CAN (FBLOCKS)	Can be changed: T	Scaling: -	Dyn. index: -
CU250S_V_DP (FBLOCKS)	Units group: -	Unit selection: -	Func. diagram: 7270
CU250S_V_PN (FBLOCKS)	Min -340.28235E36	Max 340.28235E36	Factory setting 0.0000
Description:	Setting parameter for the interval limit L of instance LVM 1 of the double-sided limiter.		

p20278	LVM 1 hyst HY / LVM 1 hyst HY		
CU250S_V (FBLOCKS)	Access level: 3	Calculated: -	Data type: FloatingPoint32
CU250S_V_CAN (FBLOCKS)	Can be changed: T	Scaling: -	Dyn. index: -
CU250S_V_DP (FBLOCKS)	Units group: -	Unit selection: -	Func. diagram: 7270
CU250S_V_PN (FBLOCKS)	Min -340.28235E36	Max 340.28235E36	Factory setting 0.0000
Description:	Setting parameter for hysteresis HY of instance LVM 1 of the double-sided limiter.		

r20279	BO: LVM 1 input quantity above interval QU / LVM 1 X above QU		
CU250S_V (FBLOCKS)	Access level: 3	Calculated: -	Data type: Unsigned32
CU250S_V_CAN (FBLOCKS)	Can be changed: -	Scaling: -	Dyn. index: -
CU250S_V_DP (FBLOCKS)	Units group: -	Unit selection: -	Func. diagram: 7270
CU250S_V_PN (FBLOCKS)	Min	Max	Factory setting
	-	-	-
Description:	Display parameter of instance LVM 1 of the double-sided limiter that input quantity X was at least once $X > M + L$ and X is $\geq M + L - HY$.		
r20280	BO: LVM 1 input quantity within interval QM / LVM 1 X within QM		
CU250S_V (FBLOCKS)	Access level: 3	Calculated: -	Data type: Unsigned32
CU250S_V_CAN (FBLOCKS)	Can be changed: -	Scaling: -	Dyn. index: -
CU250S_V_DP (FBLOCKS)	Units group: -	Unit selection: -	Func. diagram: 7270
CU250S_V_PN (FBLOCKS)	Min	Max	Factory setting
	-	-	-
Description:	Display parameter of instance LVM 1 of the double-sided limiter that the input quantity X lies within the interval.		
r20281	BO: LVM 1 input quantity below interval QL / LVM 1 X below QL		
CU250S_V (FBLOCKS)	Access level: 3	Calculated: -	Data type: Unsigned32
CU250S_V_CAN (FBLOCKS)	Can be changed: -	Scaling: -	Dyn. index: -
CU250S_V_DP (FBLOCKS)	Units group: -	Unit selection: -	Func. diagram: 7270
CU250S_V_PN (FBLOCKS)	Min	Max	Factory setting
	-	-	-
Description:	Display parameter of instance LVM 1 of the double-sided limiter that input quantity X was at least once $X < M - L$ and X is $\leq M - L + HY$.		
p20282	LVM 1 run-time group / LVM 1 RTG		
CU250S_V (FBLOCKS)	Access level: 3	Calculated: -	Data type: Integer16
CU250S_V_CAN (FBLOCKS)	Can be changed: T	Scaling: -	Dyn. index: -
CU250S_V_DP (FBLOCKS)	Units group: -	Unit selection: -	Func. diagram: 7270
CU250S_V_PN (FBLOCKS)	Min	Max	Factory setting
	5	9999	9999
Description:	Setting parameter for the run-time group in which instance LVM 1 of the double-sided limiter is to be called.		
Value:	5: Run-time group 5 6: Run-time group 6 9999: Do not calculate		

2 Parameters

2.2 List of parameters

p20283

LVM 1 run sequence / LVM 1 RunSeq

CU250S_V (FBLOCKS)	Access level: 3	Calculated: -	Data type: Unsigned16
CU250S_V_CAN (FBLOCKS)	Can be changed: T	Scaling: -	Dyn. index: -
CU250S_V_DP (FBLOCKS)	Units group: -	Unit selection: -	Func. diagram: 7270
CU250S_V_PN (FBLOCKS)	Min	Max	Factory setting
	0	7999	730

Description:

Setting parameter for the run sequence of instance LVM 1 within the run-time group set in p20282.

Note:

The function blocks with a lower run sequence value are calculated before function blocks with a higher run sequence value.

p20284

CI: DIF 0 input X / DIF 0 input X

CU250S_V (FBLOCKS)	Access level: 3	Calculated: -	Data type: U32 / FloatingPoint32
CU250S_V_CAN (FBLOCKS)	Can be changed: T	Scaling: PERCENT	Dyn. index: -
CU250S_V_DP (FBLOCKS)	Units group: -	Unit selection: -	Func. diagram: 7264
CU250S_V_PN (FBLOCKS)	Min	Max	Factory setting
	-	-	0

Description:

Sets the signal source of input quantity X of instance DIF 0 of the differentiating element.

p20285

DIF 0 differentiating time constant in ms / DIF 0 T_diff ms

CU250S_V (FBLOCKS)	Access level: 3	Calculated: -	Data type: FloatingPoint32
CU250S_V_CAN (FBLOCKS)	Can be changed: T	Scaling: -	Dyn. index: -
CU250S_V_DP (FBLOCKS)	Units group: -	Unit selection: -	Func. diagram: 7264
CU250S_V_PN (FBLOCKS)	Min	Max	Factory setting
	0.00	340.28235E36	0.00

Description:

Sets the differentiating time constant Td in milliseconds of instance DIF 0 of the differentiating element.

r20286

CO: DIF 0 output Y / DIF 0 output Y

CU250S_V (FBLOCKS)	Access level: 3	Calculated: -	Data type: FloatingPoint32
CU250S_V_CAN (FBLOCKS)	Can be changed: -	Scaling: PERCENT	Dyn. index: -
CU250S_V_DP (FBLOCKS)	Units group: -	Unit selection: -	Func. diagram: 7264
CU250S_V_PN (FBLOCKS)	Min	Max	Factory setting
	-	-	-

Description:

Display parameter for output quantity Y of instance DIF 0 of the differentiating element.

p20287

DIF 0 run-time group / DIF 0 RTG

CU250S_V (FBLOCKS)	Access level: 3	Calculated: -	Data type: Integer16
CU250S_V_CAN (FBLOCKS)	Can be changed: T	Scaling: -	Dyn. index: -
CU250S_V_DP (FBLOCKS)	Units group: -	Unit selection: -	Func. diagram: 7264
CU250S_V_PN (FBLOCKS)	Min	Max	Factory setting
	5	9999	9999

Description:

Setting parameter for the run-time group in which instance DIF 0 of the differentiating element is to be called.

Value:
 5: Run-time group 5
 6: Run-time group 6
 9999: Do not calculate

p20288	DIF 0 run sequence / DIF 0 RunSeq		
CU250S_V (FBLOCKS)	Access level: 3	Calculated: -	Data type: Unsigned16
CU250S_V_CAN (FBLOCKS)	Can be changed: T	Scaling: -	Dyn. index: -
CU250S_V_DP (FBLOCKS)	Units group: -	Unit selection: -	Func. diagram: 7264
CU250S_V_PN (FBLOCKS)	Min	Max	Factory setting
	0	32000	750

Description: Setting parameter for the run sequence of instance DIF 0 within the run-time group set in p20287.

Note: The function blocks with a lower run sequence value are calculated before function blocks with a higher run sequence value.

p20300	BI: NOT 4 input I / NOT 4 input I		
CU250S_V (FBLOCKS)	Access level: 3	Calculated: -	Data type: U32 / Binary
CU250S_V_CAN (FBLOCKS)	Can be changed: T	Scaling: -	Dyn. index: -
CU250S_V_DP (FBLOCKS)	Units group: -	Unit selection: -	Func. diagram: 7216
CU250S_V_PN (FBLOCKS)	Min	Max	Factory setting
	-	-	0

Description: Sets the signal source of input quantity I of instance NOT 4 of the inverter.

r20301	BO: NOT 4 inverted output / NOT 4 inv output		
CU250S_V (FBLOCKS)	Access level: 3	Calculated: -	Data type: Unsigned32
CU250S_V_CAN (FBLOCKS)	Can be changed: -	Scaling: -	Dyn. index: -
CU250S_V_DP (FBLOCKS)	Units group: -	Unit selection: -	Func. diagram: 7216
CU250S_V_PN (FBLOCKS)	Min	Max	Factory setting
	-	-	-

Description: Display parameter for the inverted output of instance NOT 4 of the inverter.

p20302	NOT 4 run-time group / NOT 4 RTG		
CU250S_V (FBLOCKS)	Access level: 3	Calculated: -	Data type: Integer16
CU250S_V_CAN (FBLOCKS)	Can be changed: T	Scaling: -	Dyn. index: -
CU250S_V_DP (FBLOCKS)	Units group: -	Unit selection: -	Func. diagram: 7216
CU250S_V_PN (FBLOCKS)	Min	Max	Factory setting
	1	9999	9999

Description: Setting parameter for the run-time group in which the instance NOT 4 of the inverter is to be called.

Value:
 1: Run-time group 1
 2: Run-time group 2
 3: Run-time group 3
 4: Run-time group 4
 5: Run-time group 5
 6: Run-time group 6
 9999: Do not calculate

2 Parameters

2.2 List of parameters

p20303

NOT 4 run sequence / NOT 4 RunSeq

CU250S_V (FBLOCKS)	Access level: 3	Calculated: -	Data type: Unsigned16
CU250S_V_CAN (FBLOCKS)	Can be changed: T	Scaling: -	Dyn. index: -
CU250S_V_DP (FBLOCKS)	Units group: -	Unit selection: -	Func. diagram: 7216
CU250S_V_PN (FBLOCKS)	Min	Max	Factory setting
	0	32000	770

Description:

Setting parameter for the run sequence of instance NOT 4 within the run-time group set in p20302.

Note:

The function blocks with a lower run sequence value are calculated before function blocks with a higher run sequence value.

p20304

BI: NOT 5 input I / NOT 5 input I

CU250S_V (FBLOCKS)	Access level: 3	Calculated: -	Data type: U32 / Binary
CU250S_V_CAN (FBLOCKS)	Can be changed: T	Scaling: -	Dyn. index: -
CU250S_V_DP (FBLOCKS)	Units group: -	Unit selection: -	Func. diagram: 7216
CU250S_V_PN (FBLOCKS)	Min	Max	Factory setting
	-	-	0

Description:

Sets the signal source of input quantity I of instance NOT 5 of the inverter.

r20305

BO: NOT 5 inverted output / NOT 5 inv output

CU250S_V (FBLOCKS)	Access level: 3	Calculated: -	Data type: Unsigned32
CU250S_V_CAN (FBLOCKS)	Can be changed: -	Scaling: -	Dyn. index: -
CU250S_V_DP (FBLOCKS)	Units group: -	Unit selection: -	Func. diagram: 7216
CU250S_V_PN (FBLOCKS)	Min	Max	Factory setting
	-	-	-

Description:

Display parameter for the inverted output of instance NOT 5 of the inverter.

p20306

NOT 5 run-time group / NOT 5 RTG

CU250S_V (FBLOCKS)	Access level: 3	Calculated: -	Data type: Integer16
CU250S_V_CAN (FBLOCKS)	Can be changed: T	Scaling: -	Dyn. index: -
CU250S_V_DP (FBLOCKS)	Units group: -	Unit selection: -	Func. diagram: 7216
CU250S_V_PN (FBLOCKS)	Min	Max	Factory setting
	1	9999	9999

Description:

Setting parameter for the run-time group in which the instance NOT 5 of the inverter is to be called.

Value:

- 1: Run-time group 1
- 2: Run-time group 2
- 3: Run-time group 3
- 4: Run-time group 4
- 5: Run-time group 5
- 6: Run-time group 6
- 9999: Do not calculate

p20307	NOT 5 run sequence / NOT 5 RunSeq		
CU250S_V (FBLOCKS)	Access level: 3	Calculated: -	Data type: Unsigned16
CU250S_V_CAN (FBLOCKS)	Can be changed: T	Scaling: -	Dyn. index: -
CU250S_V_DP (FBLOCKS)	Units group: -	Unit selection: -	Func. diagram: 7216
CU250S_V_PN (FBLOCKS)	Min	Max	Factory setting
	0	32000	780
Description:	Setting parameter for the run sequence of instance NOT 5 within the run-time group set in p20306.		
Note:	The function blocks with a lower run sequence value are calculated before function blocks with a higher run sequence value.		
p20308[0...3]	CI: ADD 2 inputs / ADD 2 inputs		
CU250S_V (FBLOCKS)	Access level: 3	Calculated: -	Data type: U32 / FloatingPoint32
CU250S_V_CAN (FBLOCKS)	Can be changed: T	Scaling: PERCENT	Dyn. index: -
CU250S_V_DP (FBLOCKS)	Units group: -	Unit selection: -	Func. diagram: 7220
CU250S_V_PN (FBLOCKS)	Min	Max	Factory setting
	-	-	0
Description:	Sets the signal source of input quantities X0, X1, X2, X3 of instance ADD 2 of the adder.		
Index:	[0] = Input X0 [1] = Input X1 [2] = Input X2 [3] = Input X3		
r20309	CO: ADD 2 output Y / ADD 2 output Y		
CU250S_V (FBLOCKS)	Access level: 3	Calculated: -	Data type: FloatingPoint32
CU250S_V_CAN (FBLOCKS)	Can be changed: -	Scaling: PERCENT	Dyn. index: -
CU250S_V_DP (FBLOCKS)	Units group: -	Unit selection: -	Func. diagram: 7220
CU250S_V_PN (FBLOCKS)	Min	Max	Factory setting
	-	-	-
Description:	Display parameter for the output quantity $Y = X0 + X1 + X2 + X3$ of instance ADD 2 of the adder.		
p20310	ADD 2 run-time group / ADD 2 RTG		
CU250S_V (FBLOCKS)	Access level: 3	Calculated: -	Data type: Integer16
CU250S_V_CAN (FBLOCKS)	Can be changed: T	Scaling: -	Dyn. index: -
CU250S_V_DP (FBLOCKS)	Units group: -	Unit selection: -	Func. diagram: 7220
CU250S_V_PN (FBLOCKS)	Min	Max	Factory setting
	5	9999	9999
Description:	Setting parameter for the run-time group in which the instance ADD 2 of the adder is to be called.		
Value:	5: Run-time group 5 6: Run-time group 6 9999: Do not calculate		

2 Parameters

2.2 List of parameters

p20311	ADD 2 run sequence / ADD 2 RunSeq		
CU250S_V (FBLOCKS)	Access level: 3	Calculated: -	Data type: Unsigned16
CU250S_V_CAN (FBLOCKS)	Can be changed: T	Scaling: -	Dyn. index: -
CU250S_V_DP (FBLOCKS)	Units group: -	Unit selection: -	Func. diagram: 7220
CU250S_V_PN (FBLOCKS)	Min	Max	Factory setting
	0	32000	800
Description:	Setting parameter for the run sequence of instance ADD 2 within the run-time group set in p20310.		
Note:	The function blocks with a lower run sequence value are calculated before function blocks with a higher run sequence value.		

p20312[0...1]	CI: NCM 0 inputs / NCM 0 inputs		
CU250S_V (FBLOCKS)	Access level: 3	Calculated: -	Data type: U32 / FloatingPoint32
CU250S_V_CAN (FBLOCKS)	Can be changed: T	Scaling: PERCENT	Dyn. index: -
CU250S_V_DP (FBLOCKS)	Units group: -	Unit selection: -	Func. diagram: 7225
CU250S_V_PN (FBLOCKS)	Min	Max	Factory setting
	-	-	0
Description:	Sets the signal source of input quantities X0 and X1 of instance NCM 0 of the numeric comparator.		
Index:	[0] = Input X0 [1] = Input X1		

r20313	BO: NCM 0 output QU / NCM 0 output QU		
CU250S_V (FBLOCKS)	Access level: 3	Calculated: -	Data type: Unsigned32
CU250S_V_CAN (FBLOCKS)	Can be changed: -	Scaling: -	Dyn. index: -
CU250S_V_DP (FBLOCKS)	Units group: -	Unit selection: -	Func. diagram: 7225
CU250S_V_PN (FBLOCKS)	Min	Max	Factory setting
	-	-	-
Description:	Display parameter for binary quantity QU of instance NCM 0 of the numeric comparator. QU is only set if X0 > X1.		

r20314	BO: NCM 0 output QE / NCM 0 output QE		
CU250S_V (FBLOCKS)	Access level: 3	Calculated: -	Data type: Unsigned32
CU250S_V_CAN (FBLOCKS)	Can be changed: -	Scaling: -	Dyn. index: -
CU250S_V_DP (FBLOCKS)	Units group: -	Unit selection: -	Func. diagram: 7225
CU250S_V_PN (FBLOCKS)	Min	Max	Factory setting
	-	-	-
Description:	Display parameter for binary quantity QE of instance NCM 0 of the numeric comparator. QE is only set if X0 = X1.		

r20315	BO: NCM 0 output QL / NCM 0 output QL		
CU250S_V (FBLOCKS)	Access level: 3	Calculated: -	Data type: Unsigned32
CU250S_V_CAN (FBLOCKS)	Can be changed: -	Scaling: -	Dyn. index: -
CU250S_V_DP (FBLOCKS)	Units group: -	Unit selection: -	Func. diagram: 7225
CU250S_V_PN (FBLOCKS)	Min	Max	Factory setting
	-	-	-
Description:	Display parameter for binary quantity QL of instance NCM 0 of the numeric comparator. QL is only set if X0 < X1.		

p20316	NCM 0 run-time group / NCM 0 RTG		
CU250S_V (FBLOCKS)	Access level: 3	Calculated: -	Data type: Integer16
CU250S_V_CAN (FBLOCKS)	Can be changed: T	Scaling: -	Dyn. index: -
CU250S_V_DP (FBLOCKS)	Units group: -	Unit selection: -	Func. diagram: 7225
CU250S_V_PN (FBLOCKS)	Min	Max	Factory setting
	5	9999	9999
Description:	Setting parameter for the run-time group in which the instance NCM 0 of the numeric comparator is to be called.		
Value:	5: Run-time group 5 6: Run-time group 6 9999: Do not calculate		

p20317	NCM 0 run sequence / NCM 0 RunSeq		
CU250S_V (FBLOCKS)	Access level: 3	Calculated: -	Data type: Unsigned16
CU250S_V_CAN (FBLOCKS)	Can be changed: T	Scaling: -	Dyn. index: -
CU250S_V_DP (FBLOCKS)	Units group: -	Unit selection: -	Func. diagram: 7225
CU250S_V_PN (FBLOCKS)	Min	Max	Factory setting
	0	32000	820
Description:	Setting parameter for the run sequence of instance NCM 0 within the run-time group set in p20316.		
Note:	The function blocks with a lower run sequence value are calculated before function blocks with a higher run sequence value.		

p20318[0...1]	CI: NCM 1 inputs / NCM 1 inputs		
CU250S_V (FBLOCKS)	Access level: 3	Calculated: -	Data type: U32 / FloatingPoint32
CU250S_V_CAN (FBLOCKS)	Can be changed: T	Scaling: PERCENT	Dyn. index: -
CU250S_V_DP (FBLOCKS)	Units group: -	Unit selection: -	Func. diagram: 7225
CU250S_V_PN (FBLOCKS)	Min	Max	Factory setting
	-	-	0
Description:	Sets the signal source of input quantities X0 and X1 of instance NCM 1 of the numeric comparator.		
Index:	[0] = Input X0 [1] = Input X1		

2 Parameters

2.2 List of parameters

r20319	BO: NCM 1 output QU / NCM 1 output QU		
CU250S_V (FBLOCKS)	Access level: 3	Calculated: -	Data type: Unsigned32
CU250S_V_CAN (FBLOCKS)	Can be changed: -	Scaling: -	Dyn. index: -
CU250S_V_DP (FBLOCKS)	Units group: -	Unit selection: -	Func. diagram: 7225
CU250S_V_PN (FBLOCKS)	Min	Max	Factory setting
	-	-	-
Description:	Display parameter for binary quantity QU of instance NCM 1 of the numeric comparator. QU is only set if $X0 > X1$.		
<hr/>			
r20320	BO: NCM 1 output QE / NCM 1 output QE		
CU250S_V (FBLOCKS)	Access level: 3	Calculated: -	Data type: Unsigned32
CU250S_V_CAN (FBLOCKS)	Can be changed: -	Scaling: -	Dyn. index: -
CU250S_V_DP (FBLOCKS)	Units group: -	Unit selection: -	Func. diagram: 7225
CU250S_V_PN (FBLOCKS)	Min	Max	Factory setting
	-	-	-
Description:	Display parameter for binary quantity QE of instance NCM 1 of the numeric comparator. QE is only set if $X0 = X1$.		
<hr/>			
r20321	BO: NCM 1 output QL / NCM 1 output QL		
CU250S_V (FBLOCKS)	Access level: 3	Calculated: -	Data type: Unsigned32
CU250S_V_CAN (FBLOCKS)	Can be changed: -	Scaling: -	Dyn. index: -
CU250S_V_DP (FBLOCKS)	Units group: -	Unit selection: -	Func. diagram: 7225
CU250S_V_PN (FBLOCKS)	Min	Max	Factory setting
	-	-	-
Description:	Display parameter for binary quantity QL of instance NCM 1 of the numeric comparator. QL is only set if $X0 < X1$.		
<hr/>			
p20322	NCM 1 run-time group / NCM 1 RTG		
CU250S_V (FBLOCKS)	Access level: 3	Calculated: -	Data type: Integer16
CU250S_V_CAN (FBLOCKS)	Can be changed: T	Scaling: -	Dyn. index: -
CU250S_V_DP (FBLOCKS)	Units group: -	Unit selection: -	Func. diagram: 7225
CU250S_V_PN (FBLOCKS)	Min	Max	Factory setting
	5	9999	9999
Description:	Setting parameter for the run-time group in which the instance NCM 1 of the numeric comparator is to be called.		
Value:	5: Run-time group 5 6: Run-time group 6 9999: Do not calculate		

p20323	NCM 1 run sequence / NCM 1 RunSeq		
CU250S_V (FBLOCKS)	Access level: 3	Calculated: -	Data type: Unsigned16
CU250S_V_CAN (FBLOCKS)	Can be changed: T	Scaling: -	Dyn. index: -
CU250S_V_DP (FBLOCKS)	Units group: -	Unit selection: -	Func. diagram: 7225
CU250S_V_PN (FBLOCKS)	Min	Max	Factory setting
	0	32000	830
Description:	Setting parameter for the run sequence of instance NCM 1 within the run-time group set in p20322.		
Note:	The function blocks with a lower run sequence value are calculated before function blocks with a higher run sequence value.		
p20324[0...1]	BI: RSR 2 inputs / RSR 2 inputs		
CU250S_V (FBLOCKS)	Access level: 3	Calculated: -	Data type: U32 / Binary
CU250S_V_CAN (FBLOCKS)	Can be changed: T	Scaling: -	Dyn. index: -
CU250S_V_DP (FBLOCKS)	Units group: -	Unit selection: -	Func. diagram: 7240
CU250S_V_PN (FBLOCKS)	Min	Max	Factory setting
	-	-	0
Description:	Sets the signal source for set input S and reset input R of instance RSR 2 of the RS flipflop.		
Index:	[0] = Set S [1] = Reset R		
r20325	BO: RSR 2 output Q / RSR 2 output Q		
CU250S_V (FBLOCKS)	Access level: 3	Calculated: -	Data type: Unsigned32
CU250S_V_CAN (FBLOCKS)	Can be changed: -	Scaling: -	Dyn. index: -
CU250S_V_DP (FBLOCKS)	Units group: -	Unit selection: -	Func. diagram: 7240
CU250S_V_PN (FBLOCKS)	Min	Max	Factory setting
	-	-	-
Description:	Display parameter for output Q of instance RSR 2 of the RS flipflop		
r20326	BO: RSR 2 inverted output QN / RSR 2 inv outp QN		
CU250S_V (FBLOCKS)	Access level: 3	Calculated: -	Data type: Unsigned32
CU250S_V_CAN (FBLOCKS)	Can be changed: -	Scaling: -	Dyn. index: -
CU250S_V_DP (FBLOCKS)	Units group: -	Unit selection: -	Func. diagram: 7240
CU250S_V_PN (FBLOCKS)	Min	Max	Factory setting
	-	-	-
Description:	Display parameter for inverted output QN of instance RSR 2 of the RS flipflop.		

2 Parameters

2.2 List of parameters

p20327	RSR 2 run-time group / RSR 2 RTG		
CU250S_V (FBLOCKS)	Access level: 3	Calculated: -	Data type: Integer16
CU250S_V_CAN (FBLOCKS)	Can be changed: T	Scaling: -	Dyn. index: -
CU250S_V_DP (FBLOCKS)	Units group: -	Unit selection: -	Func. diagram: 7240
CU250S_V_PN (FBLOCKS)	Min	Max	Factory setting
	1	9999	9999
Description:	Setting parameter for the run-time group in which instance RSR 2 of the RS flipflop is to be called.		
Value:	1: Run-time group 1 2: Run-time group 2 3: Run-time group 3 4: Run-time group 4 5: Run-time group 5 6: Run-time group 6 9999: Do not calculate		

p20328	RSR 2 run sequence / RSR 2 RunSeq		
CU250S_V (FBLOCKS)	Access level: 3	Calculated: -	Data type: Unsigned16
CU250S_V_CAN (FBLOCKS)	Can be changed: T	Scaling: -	Dyn. index: -
CU250S_V_DP (FBLOCKS)	Units group: -	Unit selection: -	Func. diagram: 7240
CU250S_V_PN (FBLOCKS)	Min	Max	Factory setting
	0	7999	850
Description:	Setting parameter for the run sequence of instance RSR 2 within the run-time group set in p20327.		
Note:	The function blocks with a lower run sequence value are calculated before function blocks with a higher run sequence value.		

p20329[0...3]	BI: DFR 2 inputs / DFR 2 inputs		
CU250S_V (FBLOCKS)	Access level: 3	Calculated: -	Data type: U32 / Binary
CU250S_V_CAN (FBLOCKS)	Can be changed: T	Scaling: -	Dyn. index: -
CU250S_V_DP (FBLOCKS)	Units group: -	Unit selection: -	Func. diagram: 7240
CU250S_V_PN (FBLOCKS)	Min	Max	Factory setting
	-	-	0
Description:	Sets the signal source for trigger input I, D input D, set input S, and reset input R of instance DFR 2 of the D flipflop.		
Index:	[0] = Trigger input I [1] = D input D [2] = Set S [3] = Reset R		

r20330	BO: DFR 2 output Q / DFR 2 output Q		
CU250S_V (FBLOCKS)	Access level: 3	Calculated: -	Data type: Unsigned32
CU250S_V_CAN (FBLOCKS)	Can be changed: -	Scaling: -	Dyn. index: -
CU250S_V_DP (FBLOCKS)	Units group: -	Unit selection: -	Func. diagram: 7240
CU250S_V_PN (FBLOCKS)	Min	Max	Factory setting
	-	-	-
Description:	Display parameter for output Q of instance DFR 2 of the D flipflop.		

r20331	BO: DFR 2 inverted output QN / DFR 2 inv outp QN		
CU250S_V (FBLOCKS)	Access level: 3	Calculated: -	Data type: Unsigned32
CU250S_V_CAN (FBLOCKS)	Can be changed: -	Scaling: -	Dyn. index: -
CU250S_V_DP (FBLOCKS)	Units group: -	Unit selection: -	Func. diagram: 7240
CU250S_V_PN (FBLOCKS)	Min	Max	Factory setting
	-	-	-
Description:	Display parameter for the inverted output QN of instance DFR 2 of the D flipflop.		
p20332	DFR 2 run-time group / DFR 2 RTG		
CU250S_V (FBLOCKS)	Access level: 3	Calculated: -	Data type: Integer16
CU250S_V_CAN (FBLOCKS)	Can be changed: T	Scaling: -	Dyn. index: -
CU250S_V_DP (FBLOCKS)	Units group: -	Unit selection: -	Func. diagram: 7240
CU250S_V_PN (FBLOCKS)	Min	Max	Factory setting
	1	9999	9999
Description:	Setting parameter for the run-time group in which instance DFR 2 of the D flipflop is to be called.		
Value:	1: Run-time group 1 2: Run-time group 2 3: Run-time group 3 4: Run-time group 4 5: Run-time group 5 6: Run-time group 6 9999: Do not calculate		
p20333	DFR 2 run sequence / DFR 2 RunSeq		
CU250S_V (FBLOCKS)	Access level: 3	Calculated: -	Data type: Unsigned16
CU250S_V_CAN (FBLOCKS)	Can be changed: T	Scaling: -	Dyn. index: -
CU250S_V_DP (FBLOCKS)	Units group: -	Unit selection: -	Func. diagram: 7240
CU250S_V_PN (FBLOCKS)	Min	Max	Factory setting
	0	32000	870
Description:	Setting parameter for the run-time group of instance DFR 2 within the run-time group set in p20332.		
Note:	The function blocks with a lower run sequence value are calculated before function blocks with a higher run sequence value.		
p20334	BI: PDE 2 input pulse I / PDE 2 inp_pulse I		
CU250S_V (FBLOCKS)	Access level: 3	Calculated: -	Data type: U32 / Binary
CU250S_V_CAN (FBLOCKS)	Can be changed: T	Scaling: -	Dyn. index: -
CU250S_V_DP (FBLOCKS)	Units group: -	Unit selection: -	Func. diagram: 7232
CU250S_V_PN (FBLOCKS)	Min	Max	Factory setting
	-	-	0
Description:	Sets the signal source for the input pulse I of instance PDE 2 of the closing delay device.		

2 Parameters

2.2 List of parameters

p20335	PDE 2 pulse delay time in ms / PDE 2 t_{del} ms		
CU250S_V (FBLOCKS)	Access level: 3	Calculated: -	Data type: FloatingPoint32
CU250S_V_CAN (FBLOCKS)	Can be changed: T	Scaling: -	Dyn. index: -
CU250S_V_DP (FBLOCKS)	Units group: -	Unit selection: -	Func. diagram: 7232
CU250S_V_PN (FBLOCKS)	Min	Max	Factory setting
	0.00	5400000.00	0.00
Description:	Setting parameter for pulse delay time T in milliseconds of instance PDE 2 of the closing delay device.		
r20336	BO: PDE 2 output Q / PDE 2 output Q		
CU250S_V (FBLOCKS)	Access level: 3	Calculated: -	Data type: Unsigned32
CU250S_V_CAN (FBLOCKS)	Can be changed: -	Scaling: -	Dyn. index: -
CU250S_V_DP (FBLOCKS)	Units group: -	Unit selection: -	Func. diagram: 7232
CU250S_V_PN (FBLOCKS)	Min	Max	Factory setting
	-	-	-
Description:	Display parameter for output pulse Q of instance PDE 2 of the closing delay device.		
p20337	PDE 2 run-time group / PDE 2 RTG		
CU250S_V (FBLOCKS)	Access level: 3	Calculated: -	Data type: Integer16
CU250S_V_CAN (FBLOCKS)	Can be changed: T	Scaling: -	Dyn. index: -
CU250S_V_DP (FBLOCKS)	Units group: -	Unit selection: -	Func. diagram: 7232
CU250S_V_PN (FBLOCKS)	Min	Max	Factory setting
	5	9999	9999
Description:	Setting parameter for the run-time group in which instance PDE 2 of the closing delay device is to be called.		
Value:	5: Run-time group 5 6: Run-time group 6 9999: Do not calculate		
p20338	PDE 2 run sequence / PDE 2 RunSeq		
CU250S_V (FBLOCKS)	Access level: 3	Calculated: -	Data type: Unsigned16
CU250S_V_CAN (FBLOCKS)	Can be changed: T	Scaling: -	Dyn. index: -
CU250S_V_DP (FBLOCKS)	Units group: -	Unit selection: -	Func. diagram: 7232
CU250S_V_PN (FBLOCKS)	Min	Max	Factory setting
	0	32000	890
Description:	Setting parameter for the run sequence of instance PDE 2 within the run-time group set in p20337.		
Note:	The function blocks with a lower run sequence value are calculated before function blocks with a higher run sequence value.		

p20339	BI: PDE 3 input pulse I / PDE 3 inp_pulse I		
CU250S_V (FBLOCKS)	Access level: 3	Calculated: -	Data type: U32 / Binary
CU250S_V_CAN (FBLOCKS)	Can be changed: T	Scaling: -	Dyn. index: -
CU250S_V_DP (FBLOCKS)	Units group: -	Unit selection: -	Func. diagram: 7232
CU250S_V_PN (FBLOCKS)	Min	Max	Factory setting
	-	-	0
Description:	Sets the signal source for the input pulse I of instance PDE 3 of the closing delay device.		
p20340	PDE 3 pulse delay time in ms / PDE 3 t_del ms		
CU250S_V (FBLOCKS)	Access level: 3	Calculated: -	Data type: FloatingPoint32
CU250S_V_CAN (FBLOCKS)	Can be changed: T	Scaling: -	Dyn. index: -
CU250S_V_DP (FBLOCKS)	Units group: -	Unit selection: -	Func. diagram: 7232
CU250S_V_PN (FBLOCKS)	Min	Max	Factory setting
	0.00	5400000.00	0.00
Description:	Setting parameter for pulse delay time T in milliseconds of instance PDE 3 of the closing delay device.		
r20341	BO: PDE 3 output Q / PDE 3 output Q		
CU250S_V (FBLOCKS)	Access level: 3	Calculated: -	Data type: Unsigned32
CU250S_V_CAN (FBLOCKS)	Can be changed: -	Scaling: -	Dyn. index: -
CU250S_V_DP (FBLOCKS)	Units group: -	Unit selection: -	Func. diagram: 7232
CU250S_V_PN (FBLOCKS)	Min	Max	Factory setting
	-	-	-
Description:	Display parameter for output pulse Q of instance PDE 3 of the closing delay device.		
p20342	PDE 3 run-time group / PDE 3 RTG		
CU250S_V (FBLOCKS)	Access level: 3	Calculated: -	Data type: Integer16
CU250S_V_CAN (FBLOCKS)	Can be changed: T	Scaling: -	Dyn. index: -
CU250S_V_DP (FBLOCKS)	Units group: -	Unit selection: -	Func. diagram: 7232
CU250S_V_PN (FBLOCKS)	Min	Max	Factory setting
	5	9999	9999
Description:	Setting parameter for the run-time group in which instance PDE 3 of the closing delay device is to be called.		
Value:	5: Run-time group 5 6: Run-time group 6 9999: Do not calculate		

2 Parameters

2.2 List of parameters

p20343	PDE 3 run sequence / PDE 3 RunSeq		
CU250S_V (FBLOCKS)	Access level: 3	Calculated: -	Data type: Unsigned16
CU250S_V_CAN (FBLOCKS)	Can be changed: T	Scaling: -	Dyn. index: -
CU250S_V_DP (FBLOCKS)	Units group: -	Unit selection: -	Func. diagram: 7232
CU250S_V_PN (FBLOCKS)	Min	Max	Factory setting
	0	32000	900
Description:	Setting parameter for the run sequence of instance PDE 3 within the run-time group set in p20342.		
Note:	The function blocks with a lower run sequence value are calculated before function blocks with a higher run sequence value.		

p20344	BI: PDF 2 input pulse I / PDF 2 inp_pulse I		
CU250S_V (FBLOCKS)	Access level: 3	Calculated: -	Data type: U32 / Binary
CU250S_V_CAN (FBLOCKS)	Can be changed: T	Scaling: -	Dyn. index: -
CU250S_V_DP (FBLOCKS)	Units group: -	Unit selection: -	Func. diagram: 7233
CU250S_V_PN (FBLOCKS)	Min	Max	Factory setting
	-	-	0
Description:	Sets the signal source for the input pulse I of instance PDF 2 of the breaking delay device.		

p20345	PDF 2 pulse extension time in ms / PDF 2 t_ext ms		
CU250S_V (FBLOCKS)	Access level: 3	Calculated: -	Data type: FloatingPoint32
CU250S_V_CAN (FBLOCKS)	Can be changed: T	Scaling: -	Dyn. index: -
CU250S_V_DP (FBLOCKS)	Units group: -	Unit selection: -	Func. diagram: 7233
CU250S_V_PN (FBLOCKS)	Min	Max	Factory setting
	0.00	5400000.00	0.00
Description:	Setting parameter for pulse extension time T in milliseconds of instance PDF 2 of the breaking delay device.		

r20346	BO: PDF 2 output Q / PDF 2 output Q		
CU250S_V (FBLOCKS)	Access level: 3	Calculated: -	Data type: Unsigned32
CU250S_V_CAN (FBLOCKS)	Can be changed: -	Scaling: -	Dyn. index: -
CU250S_V_DP (FBLOCKS)	Units group: -	Unit selection: -	Func. diagram: 7233
CU250S_V_PN (FBLOCKS)	Min	Max	Factory setting
	-	-	-
Description:	Display parameter for output pulse Q of instance PDF 2 of the breaking delay device.		

p20347	PDF 2 run-time group / PDF 2 RTG		
CU250S_V (FBLOCKS)	Access level: 3	Calculated: -	Data type: Integer16
CU250S_V_CAN (FBLOCKS)	Can be changed: T	Scaling: -	Dyn. index: -
CU250S_V_DP (FBLOCKS)	Units group: -	Unit selection: -	Func. diagram: 7233
CU250S_V_PN (FBLOCKS)	Min	Max	Factory setting
	5	9999	9999
Description:	Setting parameter for the run-time group in which the instance PDF 2 of the breaking delay device is to be called.		
Value:	5: Run-time group 5 6: Run-time group 6 9999: Do not calculate		
p20348	PDF 2 run sequence / PDF 2 RunSeq		
CU250S_V (FBLOCKS)	Access level: 3	Calculated: -	Data type: Unsigned16
CU250S_V_CAN (FBLOCKS)	Can be changed: T	Scaling: -	Dyn. index: -
CU250S_V_DP (FBLOCKS)	Units group: -	Unit selection: -	Func. diagram: 7233
CU250S_V_PN (FBLOCKS)	Min	Max	Factory setting
	0	32000	920
Description:	Setting parameter for the run sequence of instance PDE 2 within the run-time group set in p20347.		
Note:	The function blocks with a lower run sequence value are calculated before function blocks with a higher run sequence value.		
p20349	BI: PDF 3 input pulse I / PDF 3 inp_pulse I		
CU250S_V (FBLOCKS)	Access level: 3	Calculated: -	Data type: U32 / Binary
CU250S_V_CAN (FBLOCKS)	Can be changed: T	Scaling: -	Dyn. index: -
CU250S_V_DP (FBLOCKS)	Units group: -	Unit selection: -	Func. diagram: 7233
CU250S_V_PN (FBLOCKS)	Min	Max	Factory setting
	-	-	0
Description:	Sets the signal source for the input pulse I of instance PDF 3 of the breaking delay device.		
p20350	PDF 3 pulse extension time in ms / PDF 3 t_ext ms		
CU250S_V (FBLOCKS)	Access level: 3	Calculated: -	Data type: FloatingPoint32
CU250S_V_CAN (FBLOCKS)	Can be changed: T	Scaling: -	Dyn. index: -
CU250S_V_DP (FBLOCKS)	Units group: -	Unit selection: -	Func. diagram: 7233
CU250S_V_PN (FBLOCKS)	Min	Max	Factory setting
	0.00	5400000.00	0.00
Description:	Setting parameter for pulse extension time T in milliseconds of instance PDF 3 of the breaking delay device.		

2 Parameters

2.2 List of parameters

r20351	BO: PDF 3 output Q / PDF 3 output Q		
CU250S_V (FBLOCKS)	Access level: 3	Calculated: -	Data type: Unsigned32
CU250S_V_CAN (FBLOCKS)	Can be changed: -	Scaling: -	Dyn. index: -
CU250S_V_DP (FBLOCKS)	Units group: -	Unit selection: -	Func. diagram: 7233
CU250S_V_PN (FBLOCKS)	Min	Max	Factory setting
	-	-	-
Description:	Display parameter for output pulse Q of instance PDF 3 of the breaking delay device.		
p20352	PDF 3 run-time group / PDF 3 RTG		
CU250S_V (FBLOCKS)	Access level: 3	Calculated: -	Data type: Integer16
CU250S_V_CAN (FBLOCKS)	Can be changed: T	Scaling: -	Dyn. index: -
CU250S_V_DP (FBLOCKS)	Units group: -	Unit selection: -	Func. diagram: 7233
CU250S_V_PN (FBLOCKS)	Min	Max	Factory setting
	5	9999	9999
Description:	Setting parameter for the run-time group in which the instance PDF 3 of the breaking delay device is to be called.		
Value:	5: Run-time group 5 6: Run-time group 6 9999: Do not calculate		
p20353	PDF 3 run sequence / PDF 3 RunSeq		
CU250S_V (FBLOCKS)	Access level: 3	Calculated: -	Data type: Unsigned16
CU250S_V_CAN (FBLOCKS)	Can be changed: T	Scaling: -	Dyn. index: -
CU250S_V_DP (FBLOCKS)	Units group: -	Unit selection: -	Func. diagram: 7233
CU250S_V_PN (FBLOCKS)	Min	Max	Factory setting
	0	32000	930
Description:	Setting parameter for the run sequence of instance PDE 3 within the run-time group set in p20352.		
Note:	The function blocks with a lower run sequence value are calculated before function blocks with a higher run sequence value.		
p20354	BI: MFP 2 input pulse I / MFP 2 inp_pulse I		
CU250S_V (FBLOCKS)	Access level: 3	Calculated: -	Data type: U32 / Binary
CU250S_V_CAN (FBLOCKS)	Can be changed: T	Scaling: -	Dyn. index: -
CU250S_V_DP (FBLOCKS)	Units group: -	Unit selection: -	Func. diagram: 7230
CU250S_V_PN (FBLOCKS)	Min	Max	Factory setting
	-	-	0
Description:	Sets the signal source for the input pulse I of instance MFP 2 of the pulse generator.		

p20355		MFP 2 pulse duration in ms / MFP 2 pulse_dur ms	
CU250S_V (FBLOCKS)	Access level: 3	Calculated: -	Data type: FloatingPoint32
CU250S_V_CAN (FBLOCKS)	Can be changed: T	Scaling: -	Dyn. index: -
CU250S_V_DP (FBLOCKS)	Units group: -	Unit selection: -	Func. diagram: 7230
CU250S_V_PN (FBLOCKS)	Min	Max	Factory setting
	0.00	5400000.00	0.00
Description:		Setting parameter for pulse duration T in milliseconds of instance MFP 2 of the pulse generator.	
r20356		BO: MFP 2 output Q / MFP 2 output Q	
CU250S_V (FBLOCKS)	Access level: 3	Calculated: -	Data type: Unsigned32
CU250S_V_CAN (FBLOCKS)	Can be changed: -	Scaling: -	Dyn. index: -
CU250S_V_DP (FBLOCKS)	Units group: -	Unit selection: -	Func. diagram: 7230
CU250S_V_PN (FBLOCKS)	Min	Max	Factory setting
	-	-	-
Description:		Display parameter for output pulse Q of instance MFP 2 of the pulse generator.	
p20357		MFP 2 run-time group / MFP 2 RTG	
CU250S_V (FBLOCKS)	Access level: 3	Calculated: -	Data type: Integer16
CU250S_V_CAN (FBLOCKS)	Can be changed: T	Scaling: -	Dyn. index: -
CU250S_V_DP (FBLOCKS)	Units group: -	Unit selection: -	Func. diagram: 7230
CU250S_V_PN (FBLOCKS)	Min	Max	Factory setting
	5	9999	9999
Description:		Setting parameter for the run-time group in which the instance MFP 2 of the pulse generator is to be called.	
Value:		5: Run-time group 5 6: Run-time group 6 9999: Do not calculate	
p20358		MFP 2 run sequence / MFP 2 RunSeq	
CU250S_V (FBLOCKS)	Access level: 3	Calculated: -	Data type: Unsigned16
CU250S_V_CAN (FBLOCKS)	Can be changed: T	Scaling: -	Dyn. index: -
CU250S_V_DP (FBLOCKS)	Units group: -	Unit selection: -	Func. diagram: 7230
CU250S_V_PN (FBLOCKS)	Min	Max	Factory setting
	0	32000	950
Description:		Setting parameter for the run sequence of instance MFP 2 within the run-time group set in p20357.	
Note:		The function blocks with a lower sequence value are calculated before function blocks with a higher run sequence value.	

2 Parameters

2.2 List of parameters

p20359	BI: MFP 3 input pulse I / MFP 3 inp_pulse I		
CU250S_V (FBLOCKS)	Access level: 3	Calculated: -	Data type: U32 / Binary
CU250S_V_CAN (FBLOCKS)	Can be changed: T	Scaling: -	Dyn. index: -
CU250S_V_DP (FBLOCKS)	Units group: -	Unit selection: -	Func. diagram: 7230
CU250S_V_PN (FBLOCKS)	Min	Max	Factory setting
	-	-	0
Description:	Sets the signal source for the input pulse I of instance MFP 3 of the pulse generator.		
<hr/>			
p20360	MFP 3 pulse duration in ms / MFP 3 pulse_dur ms		
CU250S_V (FBLOCKS)	Access level: 3	Calculated: -	Data type: FloatingPoint32
CU250S_V_CAN (FBLOCKS)	Can be changed: T	Scaling: -	Dyn. index: -
CU250S_V_DP (FBLOCKS)	Units group: -	Unit selection: -	Func. diagram: 7230
CU250S_V_PN (FBLOCKS)	Min	Max	Factory setting
	0.00	5400000.00	0.00
Description:	Setting parameter for pulse duration T in milliseconds of instance MFP 3 of the pulse generator.		
<hr/>			
r20361	BO: MFP 3 output Q / MFP 3 output Q		
CU250S_V (FBLOCKS)	Access level: 3	Calculated: -	Data type: Unsigned32
CU250S_V_CAN (FBLOCKS)	Can be changed: -	Scaling: -	Dyn. index: -
CU250S_V_DP (FBLOCKS)	Units group: -	Unit selection: -	Func. diagram: 7230
CU250S_V_PN (FBLOCKS)	Min	Max	Factory setting
	-	-	-
Description:	Display parameter for output pulse Q of instance MFP 3 of the pulse generator.		
<hr/>			
p20362	MFP 3 run-time group / MFP 3 RTG		
CU250S_V (FBLOCKS)	Access level: 3	Calculated: -	Data type: Integer16
CU250S_V_CAN (FBLOCKS)	Can be changed: T	Scaling: -	Dyn. index: -
CU250S_V_DP (FBLOCKS)	Units group: -	Unit selection: -	Func. diagram: 7230
CU250S_V_PN (FBLOCKS)	Min	Max	Factory setting
	5	9999	9999
Description:	Setting parameter for the run-time group in which the instance MFP 3 of the pulse generator is to be called.		
Value:	5: Run-time group 5 6: Run-time group 6 9999: Do not calculate		

p20363	MFP 3 run sequence / MFP 3 RunSeq		
CU250S_V (FBLOCKS)	Access level: 3	Calculated: -	Data type: Unsigned16
CU250S_V_CAN (FBLOCKS)	Can be changed: T	Scaling: -	Dyn. index: -
CU250S_V_DP (FBLOCKS)	Units group: -	Unit selection: -	Func. diagram: 7230
CU250S_V_PN (FBLOCKS)	Min 0	Max 32000	Factory setting 960
Description:	Setting parameter for the run sequence of instance MFP 3 within the run-time group set in p20362.		
Note:	The function blocks with a lower run sequence value are calculated before function blocks with a higher run sequence value.		
p20372	CI: PLI 0 input X / PLI 0 input X		
CU250S_V (FBLOCKS)	Access level: 3	Calculated: -	Data type: U32 / FloatingPoint32
CU250S_V_CAN (FBLOCKS)	Can be changed: T	Scaling: PERCENT	Dyn. index: -
CU250S_V_DP (FBLOCKS)	Units group: -	Unit selection: -	Func. diagram: 7226
CU250S_V_PN (FBLOCKS)	Min -	Max -	Factory setting 0
Description:	Sets the signal source for input X of the polyline (20 breakpoints) of instance PLI 0.		
r20373	CO: PLI 0 output Y / PLI 0 output Y		
CU250S_V (FBLOCKS)	Access level: 3	Calculated: -	Data type: FloatingPoint32
CU250S_V_CAN (FBLOCKS)	Can be changed: -	Scaling: PERCENT	Dyn. index: -
CU250S_V_DP (FBLOCKS)	Units group: -	Unit selection: -	Func. diagram: 7226
CU250S_V_PN (FBLOCKS)	Min -	Max -	Factory setting -
Description:	Display parameter for the output quantity Y of the polyline (20 breakpoints) of instance PLI 0		
p20374[0...19]	PLI 0 X-coordinate, A breakpoint / PLI 0 X-coordinate		
CU250S_V (FBLOCKS)	Access level: 3	Calculated: -	Data type: FloatingPoint32
CU250S_V_CAN (FBLOCKS)	Can be changed: T	Scaling: PERCENT	Dyn. index: -
CU250S_V_DP (FBLOCKS)	Units group: -	Unit selection: -	Func. diagram: 7226
CU250S_V_PN (FBLOCKS)	Min -340.28235E36	Max 340.28235E36	Factory setting 0.0000
Description:	Sets the x-coordinates for the breakpoints (A0...A19) of the polyline (20 breakpoints) of instance PLI 0.		
Index:	[0] = Breakpoint 0 [1] = Breakpoint 1 [2] = Breakpoint 2 [3] = Breakpoint 3 [4] = Breakpoint 4 [5] = Breakpoint 5 [6] = Breakpoint 6 [7] = Breakpoint 7 [8] = Breakpoint 8 [9] = Breakpoint 9 [10] = Breakpoint 10 [11] = Breakpoint 11 [12] = Breakpoint 12 [13] = Breakpoint 13		

2 Parameters

2.2 List of parameters

[14] = Breakpoint 14
 [15] = Breakpoint 15
 [16] = Breakpoint 16
 [17] = Breakpoint 17
 [18] = Breakpoint 18
 [19] = Breakpoint 19

p20375[0...19]	PLI 0 Y-coordinate, B breakpoint / PLI 0 Y-coordinate		
CU250S_V (FBLOCKS)	Access level: 3	Calculated: -	Data type: FloatingPoint32
CU250S_V_CAN (FBLOCKS)	Can be changed: T	Scaling: PERCENT	Dyn. index: -
CU250S_V_DP (FBLOCKS)	Units group: -	Unit selection: -	Func. diagram: 7226
CU250S_V_PN (FBLOCKS)	Min	Max	Factory setting
	-340.28235E36	340.28235E36	0.0000

Description: Sets the y-coordinates for the breakpoints (B0...B19) of the polyline (20 breakpoints) of instance PLI 0.

Index:
 [0] = Breakpoint 0
 [1] = Breakpoint 1
 [2] = Breakpoint 2
 [3] = Breakpoint 3
 [4] = Breakpoint 4
 [5] = Breakpoint 5
 [6] = Breakpoint 6
 [7] = Breakpoint 7
 [8] = Breakpoint 8
 [9] = Breakpoint 9
 [10] = Breakpoint 10
 [11] = Breakpoint 11
 [12] = Breakpoint 12
 [13] = Breakpoint 13
 [14] = Breakpoint 14
 [15] = Breakpoint 15
 [16] = Breakpoint 16
 [17] = Breakpoint 17
 [18] = Breakpoint 18
 [19] = Breakpoint 19

p20376	PLI 0 run-time group / PLI 0 RTG		
CU250S_V (FBLOCKS)	Access level: 3	Calculated: -	Data type: Integer16
CU250S_V_CAN (FBLOCKS)	Can be changed: T	Scaling: -	Dyn. index: -
CU250S_V_DP (FBLOCKS)	Units group: -	Unit selection: -	Func. diagram: 7226
CU250S_V_PN (FBLOCKS)	Min	Max	Factory setting
	5	9999	9999

Description: Setting parameter for the run-time group in which instance PLI 0 of the polyline is to be called

Value:
 5: Run-time group 5
 6: Run-time group 6
 9999: Do not calculate

p20377	PLI 0 run sequence / PLI 0 RunSeq		
CU250S_V (FBLOCKS)	Access level: 3	Calculated: -	Data type: Unsigned16
CU250S_V_CAN (FBLOCKS)	Can be changed: T	Scaling: -	Dyn. index: -
CU250S_V_DP (FBLOCKS)	Units group: -	Unit selection: -	Func. diagram: 7226
CU250S_V_PN (FBLOCKS)	Min	Max	Factory setting
	0	32000	980
Description:	Setting parameter for the run sequence of instance PLI 0 within the run-time group set in p20376.		
Note:	The function blocks with a lower run sequence value are calculated before function blocks with a higher run sequence value.		
p20378	CI: PLI 1 input X / PLI 1 input X		
CU250S_V (FBLOCKS)	Access level: 3	Calculated: -	Data type: U32 / FloatingPoint32
CU250S_V_CAN (FBLOCKS)	Can be changed: T	Scaling: PERCENT	Dyn. index: -
CU250S_V_DP (FBLOCKS)	Units group: -	Unit selection: -	Func. diagram: 7226
CU250S_V_PN (FBLOCKS)	Min	Max	Factory setting
	-	-	0
Description:	Sets the signal source for input X of the polyline (20 breakpoints) of instance PLI 1.		
r20379	CO: PLI 1 output Y / PLI 1 output Y		
CU250S_V (FBLOCKS)	Access level: 3	Calculated: -	Data type: FloatingPoint32
CU250S_V_CAN (FBLOCKS)	Can be changed: -	Scaling: PERCENT	Dyn. index: -
CU250S_V_DP (FBLOCKS)	Units group: -	Unit selection: -	Func. diagram: 7226
CU250S_V_PN (FBLOCKS)	Min	Max	Factory setting
	-	-	-
Description:	Display parameter for the output quantity Y of the polyline (20 breakpoints) of instance PLI 1		
p20380[0...19]	PLI 1 X-coordinate, A breakpoint / PLI 1 X-coordinate		
CU250S_V (FBLOCKS)	Access level: 3	Calculated: -	Data type: FloatingPoint32
CU250S_V_CAN (FBLOCKS)	Can be changed: T	Scaling: PERCENT	Dyn. index: -
CU250S_V_DP (FBLOCKS)	Units group: -	Unit selection: -	Func. diagram: 7226
CU250S_V_PN (FBLOCKS)	Min	Max	Factory setting
	-340.28235E36	340.28235E36	0.0000
Description:	Sets the x-coordinates for the breakpoints (A0...A19) of the polyline (20 breakpoints) of instance PLI 1.		
Index:	[0] = Breakpoint 0 [1] = Breakpoint 1 [2] = Breakpoint 2 [3] = Breakpoint 3 [4] = Breakpoint 4 [5] = Breakpoint 5 [6] = Breakpoint 6 [7] = Breakpoint 7 [8] = Breakpoint 8 [9] = Breakpoint 9 [10] = Breakpoint 10 [11] = Breakpoint 11 [12] = Breakpoint 12 [13] = Breakpoint 13		

2 Parameters

2.2 List of parameters

[14] = Breakpoint 14
 [15] = Breakpoint 15
 [16] = Breakpoint 16
 [17] = Breakpoint 17
 [18] = Breakpoint 18
 [19] = Breakpoint 19

p20381[0...19]	PLI 1 Y-coordinate, B breakpoint / PLI 1 Y-coordinate		
CU250S_V (FBLOCKS)	Access level: 3	Calculated: -	Data type: FloatingPoint32
CU250S_V_CAN (FBLOCKS)	Can be changed: T	Scaling: PERCENT	Dyn. index: -
CU250S_V_DP (FBLOCKS)	Units group: -	Unit selection: -	Func. diagram: 7226
CU250S_V_PN (FBLOCKS)	Min	Max	Factory setting
	-340.28235E36	340.28235E36	0.0000

Description: Sets the y-coordinates for the breakpoints (B0...B19) of the polyline (20 breakpoints) of instance PLI 1.

Index:
 [0] = Breakpoint 0
 [1] = Breakpoint 1
 [2] = Breakpoint 2
 [3] = Breakpoint 3
 [4] = Breakpoint 4
 [5] = Breakpoint 5
 [6] = Breakpoint 6
 [7] = Breakpoint 7
 [8] = Breakpoint 8
 [9] = Breakpoint 9
 [10] = Breakpoint 10
 [11] = Breakpoint 11
 [12] = Breakpoint 12
 [13] = Breakpoint 13
 [14] = Breakpoint 14
 [15] = Breakpoint 15
 [16] = Breakpoint 16
 [17] = Breakpoint 17
 [18] = Breakpoint 18
 [19] = Breakpoint 19

p20382	PLI 1 run-time group / PLI 1 RTG		
CU250S_V (FBLOCKS)	Access level: 3	Calculated: -	Data type: Integer16
CU250S_V_CAN (FBLOCKS)	Can be changed: T	Scaling: -	Dyn. index: -
CU250S_V_DP (FBLOCKS)	Units group: -	Unit selection: -	Func. diagram: 7226
CU250S_V_PN (FBLOCKS)	Min	Max	Factory setting
	5	9999	9999

Description: Setting parameter for the run-time group in which instance PLI 1 of the polyline is to be called

Value:
 5: Run-time group 5
 6: Run-time group 6
 9999: Do not calculate

p20383	PLI 1 run sequence / PLI 1 RunSeq		
CU250S_V (FBLOCKS)	Access level: 3	Calculated: -	Data type: Unsigned16
CU250S_V_CAN (FBLOCKS)	Can be changed: T	Scaling: -	Dyn. index: -
CU250S_V_DP (FBLOCKS)	Units group: -	Unit selection: -	Func. diagram: 7226
CU250S_V_PN (FBLOCKS)	Min	Max	Factory setting
	0	32000	990

Description: Setting parameter for the run sequence of instance PLI 1 within the run-time group set in p20382.

Note: The function blocks with a lower run sequence value are calculated before function blocks with a higher run sequence value.

p60022	PROFIsafe telegram selection / Ps telegram_sel		
CU250S_V_DP	Access level: 3	Calculated: -	Data type: Unsigned16
CU250S_V_PN	Can be changed: T	Scaling: -	Dyn. index: -
	Units group: -	Unit selection: -	Func. diagram: -
	Min	Max	Factory setting
	0	998	998

Description: Sets the telegram number for PROFIsafe.

Value:
 0: No PROFIsafe telegram selected
 30: PROFIsafe standard telegram 30, PZD-1/1
 900: PROFIsafe SIEMENS telegram 900, PZD-2/2
 998: Compatibility mode (as for firmware version < 4.6)

Note: For p9601.3 = p9801.3 = 1 (PROFIsafe enabled), the following variants exist when parameterizing PROFIsafe telegram 30:

- p9611 = p9811 = 998 and p60022 = 0
- p9611 = p9811 = 998 and p60022 = 30
- p9611 = p9811 = 30 and p60022 = 30

p60122	PROFIdrive SIC telegram selection / Pd SIC telegr		
CU250S_V_DP	Access level: 3	Calculated: -	Data type: Integer16
CU250S_V_PN	Can be changed: T	Scaling: -	Dyn. index: -
	Units group: -	Unit selection: -	Func. diagram: 2423
	Min	Max	Factory setting
	700	999	999

Description: Sets the telegram for the Safety Info Channel (SIC).

The SIC telegram p60122 is attached directly to the PZD telegram p0922/p2079.

Value:
 700: Supplementary telegram 700, PZD-0/3
 999: Free telegram configuration with BICO

Dependency: Refer to: p0922, p2071, p2079

Note: The clearance to the PZD telegram can be increased using p2071.

After changing p0922/p2079 or p2071, then p60122 must be set again.

The telegram interconnections can only be changed if p60122 and p0922 are both set to 999.

r61000[0...239]	PROFINET Name of Station / PN Name of Station		
CU250S_V_PN	Access level: 3	Calculated: -	Data type: Unsigned8
	Can be changed: -	Scaling: -	Dyn. index: -
	Units group: -	Unit selection: -	Func. diagram: 2410
	Min	Max	Factory setting
	-	-	-

Description: Displays PROFINET Name of Station.

Notice: An ASCII table (excerpt) can be found, for example, in the appendix to the List Manual.

r61001[0...3]	PROFINET IP of Station / PN IP of Station		
CU250S_V_PN	Access level: 3	Calculated: -	Data type: Unsigned8
	Can be changed: -	Scaling: -	Dyn. index: -
	Units group: -	Unit selection: -	Func. diagram: 2410
	Min	Max	Factory setting
	-	-	-

Description: Displays PROFINET IP of Station.

2.3 Command and drive data sets - overview

2.3.1 Command data sets (CDS)

Product: SINAMICS G120S, Version: 4702900, Language: eng, Type: CDS

p0641[0...n]	Cl: Current limit variable / Curr lim var
p0820[0...n]	Bl: Drive Data Set selection DDS bit 0 / DDS select., bit 0
p0821[0...n]	Bl: Drive Data Set selection DDS bit 1 / DDS select., bit 1
p0840[0...n]	Bl: ON / OFF (OFF1) / ON / OFF (OFF1)
p0844[0...n]	Bl: No coast-down / coast-down (OFF2) signal source 1 / OFF2 S_src 1
p0845[0...n]	Bl: No coast-down / coast-down (OFF2) signal source 2 / OFF2 S_src 2
p0848[0...n]	Bl: No Quick Stop / Quick Stop (OFF3) signal source 1 / OFF3 S_src 1
p0849[0...n]	Bl: No Quick Stop / Quick Stop (OFF3) signal source 2 / OFF3 S_src 2
p0852[0...n]	Bl: Enable operation/inhibit operation / Operation enable
p0854[0...n]	Bl: Control by PLC/no control by PLC / Master ctrl by PLC
p0855[0...n]	Bl: Unconditionally release holding brake / Uncond open brake
p0856[0...n]	Bl: Speed controller enable / n_ctrl enable
p0858[0...n]	Bl: Unconditionally close holding brake / Uncond close brake
p1000[0...n]	Speed setpoint selection / n_set sel
p1020[0...n]	Bl: Fixed speed setpoint selection Bit 0 / n_set_fixed Bit 0
p1021[0...n]	Bl: Fixed speed setpoint selection Bit 1 / n_set_fixed Bit 1
p1022[0...n]	Bl: Fixed speed setpoint selection Bit 2 / n_set_fixed Bit 2
p1023[0...n]	Bl: Fixed speed setpoint selection Bit 3 / n_set_fixed Bit 3
p1035[0...n]	Bl: Motorized potentiometer setpoint raise / Mop raise
p1036[0...n]	Bl: Motorized potentiometer lower setpoint / Mop lower
p1039[0...n]	Bl: Motorized potentiometer inversion / MotP inv
p1041[0...n]	Bl: Motorized potentiometer manual/automatic / Mop manual/auto
p1042[0...n]	Cl: Motorized potentiometer automatic setpoint / Mop auto setpoint
p1043[0...n]	Bl: Motorized potentiometer accept setting value / MotP acc set val
p1044[0...n]	Cl: Motorized potentiometer setting value / Mop set val
p1051[0...n]	Cl: Speed limit RFG positive direction of rotation / n_limit RFG pos
p1052[0...n]	Cl: Speed limit RFG negative direction of rotation / n_limit RFG neg
p1055[0...n]	Bl: Jog bit 0 / Jog bit 0
p1056[0...n]	Bl: Jog bit 1 / Jog bit 1
p1070[0...n]	Cl: Main setpoint / Main setpoint
p1071[0...n]	Cl: Main setpoint scaling / Main setp scal
p1075[0...n]	Cl: Supplementary setpoint / Suppl setp
p1076[0...n]	Cl: Supplementary setpoint scaling / Suppl setp scal
p1085[0...n]	Cl: Speed limit in positive direction of rotation / n_limit pos
p1088[0...n]	Cl: Speed limit in negative direction of rotation / n_limit neg
p1098[0...n]	Cl: Skip speed scaling / n_skip scal
p1106[0...n]	Cl: Minimum speed signal source / n_min s_src
p1108[0...n]	Bl: Total setpoint selection / Total setp sel
p1109[0...n]	Cl: Total setpoint / Total setp
p1110[0...n]	Bl: Inhibit negative direction / Inhib neg dir
p1111[0...n]	Bl: Inhibit positive direction / Inhib pos dir
p1113[0...n]	Bl: Setpoint inversion / Setp inv
p1122[0...n]	Bl: Bypass ramp-function generator / Bypass RFG
p1138[0...n]	Cl: Ramp-function generator ramp-up time scaling / RFG t_RU scal
p1139[0...n]	Cl: Ramp-function generator ramp-down time scaling / RFG t_RD scal
p1140[0...n]	Bl: Enable ramp-function generator/inhibit ramp-function generator / RFG enable
p1141[0...n]	Bl: Continue ramp-function generator/freeze ramp-function generator / Continue RFG
p1142[0...n]	Bl: Enable setpoint/inhibit setpoint / Setpoint enable

p1143[0...n]	BI: Ramp-function generator, accept setting value / RFG accept set v
p1144[0...n]	CI: Ramp-function generator setting value / RFG setting value
p1155[0...n]	CI: Speed controller speed setpoint 1 / n_ctrl n_set 1
p1160[0...n]	CI: Speed controller speed setpoint 2 / n_ctrl n_set 2
p1201[0...n]	BI: Flying restart enable signal source / Fly_res enab S_src
p1230[0...n]	BI: DC braking activation / DC brake act
p1330[0...n]	CI: U/f control independent voltage setpoint / Uf U_set independ.
p1352[0...n]	CI: Motor holding brake starting frequency signal source / Brake f_start
p1455[0...n]	CI: Speed controller P gain adaptation signal / n_ctr adapt_sig Kp
p1466[0...n]	CI: Speed controller P-gain scaling / n_ctrl Kp scal
p1475[0...n]	CI: Speed controller torque setting value for motor holding brake / n_ctrl M_sv MHB
p1476[0...n]	BI: Speed controller hold integrator / n_ctrl integ stop
p1477[0...n]	BI: Speed controller set integrator value / n_ctrl integ set
p1478[0...n]	CI: Speed controller integrator setting value / n_ctr integ_setVal
p1479[0...n]	CI: Speed controller integrator setting value scaling / n_ctrl I_val scal
p1486[0...n]	CI: Droop compensation torque / Droop M_comp
p1492[0...n]	BI: Droop feedback enable / Droop enable
p1500[0...n]	Torque setpoint selection / M_set sel
p1501[0...n]	BI: Change over between closed-loop speed/torque control / Changeov n/M_ctrl
p1502[0...n]	BI: Freeze moment of inertia estimator / J_estim freeze
p1503[0...n]	CI: Torque setpoint / M_set
p1511[0...n]	CI: Supplementary torque 1 / M_suppl 1
p1512[0...n]	CI: Supplementary torque 1 scaling / M_suppl 1 scal
p1513[0...n]	CI: Supplementary torque 2 / M_suppl 2
p1522[0...n]	CI: Torque limit upper / M_max upper
p1523[0...n]	CI: Torque limit lower / M_max lower
p1528[0...n]	CI: Torque limit upper scaling / M_max upper scal
p1529[0...n]	CI: Torque limit lower scaling / M_max lower scal
p1545[0...n]	BI: Activates travel to a fixed stop / TfS activation
p1552[0...n]	CI: Torque limit upper scaling without offset / M_max up w/o offs
p1554[0...n]	CI: Torque limit lower scaling without offset / M_max low w/o offs
p2103[0...n]	BI: 1. Acknowledge faults / 1. Acknowledge
p2104[0...n]	BI: 2. Acknowledge faults / 2. Acknowledge
p2105[0...n]	BI: 3. Acknowledge faults / 3. Acknowledge
p2106[0...n]	BI: External fault 1 / External fault 1
p2107[0...n]	BI: External fault 2 / External fault 2
p2108[0...n]	BI: External fault 3 / External fault 3
p2112[0...n]	BI: External alarm 1 / External alarm 1
p2116[0...n]	BI: External alarm 2 / External alarm 2
p2117[0...n]	BI: External alarm 3 / External alarm 3
p2144[0...n]	BI: Motor stall monitoring enable (negated) / Mot stall enab neg
p2148[0...n]	BI: RFG active / RFG active
p2151[0...n]	CI: Speed setpoint for messages/signals / n_set for msg
p2200[0...n]	BI: Technology controller enable / Tec_ctrl enable
p2220[0...n]	BI: Technology controller fixed value selection bit 0 / Tec_ctrl sel bit 0
p2221[0...n]	BI: Technology controller fixed value selection bit 1 / Tec_ctrl sel bit 1
p2222[0...n]	BI: Technology controller fixed value selection bit 2 / Tec_ctrl sel bit 2
p2223[0...n]	BI: Technology controller fixed value selection bit 3 / Tec_ctrl sel bit 3
p2235[0...n]	BI: Technology controller motorized potentiometer raise setpoint / Tec_ctrl mop raise
p2236[0...n]	BI: Technology controller motorized potentiometer lower setpoint / Tec_ctrl mop lower
p2253[0...n]	CI: Technology controller setpoint 1 / Tec_ctrl setp 1
p2254[0...n]	CI: Technology controller setpoint 2 / Tec_ctrl setp 2
p2264[0...n]	CI: Technology controller actual value / Tec_ctrl act val
p2286[0...n]	BI: Hold technology controller integrator / Tec_ctr integ hold
p2289[0...n]	CI: Technology controller pre-control signal / Tec_ctr prectr_sig

p2296[0...n]	Cl: Technology controller output scaling / Tec_ctrl outp scal
p2297[0...n]	Cl: Technology controller maximum limit signal source / Tec_ctrMaxLimS_src
p2298[0...n]	Cl: Technology controller minimum limit signal source / Tec_ctrl min_l s_s
p2299[0...n]	Cl: Technology controller limit offset / Tech_ctrl lim offs
p3111[0...n]	Bl: External fault 3 enable / Ext fault 3 enab
p3112[0...n]	Bl: External fault 3 enable negated / Ext fit 3 enab neg
p3230[0...n]	Cl: Load monitoring speed actual value / Load monit n_act
p3232[0...n]	Bl: Load monitoring failure detection / Load_moni fail_det
p3330[0...n]	Bl: 2/3 wire control command 1 / 2/3 wire cmd 1
p3331[0...n]	Bl: 2/3 wire control command 2 / 2/3 wire cmd 2
p3332[0...n]	Bl: 2/3 wire control command 3 / 2/3 wire cmd 3

2.3.2 Drive data sets (DDS)

Product: SINAMICS G120S, Version: 4702900, Language: eng, Type: DDS

p0187[0...n]	Encoder 1 encoder data set number / Enc 1 EDS number
p0188[0...n]	Encoder 2 encoder data set number / Enc 2 EDS number
p0340[0...n]	Automatic calculation motor/control parameters / Calc auto par
p0640[0...n]	Current limit / Current limit
p1001[0...n]	CO: Fixed speed setpoint 1 / n_set_fixed 1
p1002[0...n]	CO: Fixed speed setpoint 2 / n_set_fixed 2
p1003[0...n]	CO: Fixed speed setpoint 3 / n_set_fixed 3
p1004[0...n]	CO: Fixed speed setpoint 4 / n_set_fixed 4
p1005[0...n]	CO: Fixed speed setpoint 5 / n_set_fixed 5
p1006[0...n]	CO: Fixed speed setpoint 6 / n_set_fixed 6
p1007[0...n]	CO: Fixed speed setpoint 7 / n_set_fixed 7
p1008[0...n]	CO: Fixed speed setpoint 8 / n_set_fixed 8
p1009[0...n]	CO: Fixed speed setpoint 9 / n_set_fixed 9
p1010[0...n]	CO: Fixed speed setpoint 10 / n_set_fixed 10
p1011[0...n]	CO: Fixed speed setpoint 11 / n_set_fixed 11
p1012[0...n]	CO: Fixed speed setpoint 12 / n_set_fixed 12
p1013[0...n]	CO: Fixed speed setpoint 13 / n_set_fixed 13
p1014[0...n]	CO: Fixed speed setpoint 14 / n_set_fixed 14
p1015[0...n]	CO: Fixed speed setpoint 15 / n_set_fixed 15
p1030[0...n]	Motorized potentiometer configuration / Mop configuration
p1037[0...n]	Motorized potentiometer maximum speed / MotP n_max
p1038[0...n]	Motorized potentiometer minimum speed / MotP n_min
p1040[0...n]	Motorized potentiometer starting value / Mop start value
p1047[0...n]	Motorized potentiometer ramp-up time / Mop ramp-up time
p1048[0...n]	Motorized potentiometer ramp-down time / Mop ramp-down time
p1058[0...n]	Jog 1 speed setpoint / Jog 1 n_set
p1059[0...n]	Jog 2 speed setpoint / Jog 2 n_set
p1063[0...n]	Speed limit setpoint channel / n_limit setp
p1080[0...n]	Minimum speed / n_min
p1082[0...n]	Maximum speed / n_max
p1083[0...n]	CO: Speed limit in positive direction of rotation / n_limit pos
p1086[0...n]	CO: Speed limit in negative direction of rotation / n_limit neg
p1091[0...n]	Skip speed 1 / n_skip 1
p1092[0...n]	Skip speed 2 / n_skip 2
p1093[0...n]	Skip speed 3 / n_skip 3
p1094[0...n]	Skip speed 4 / n_skip 4
p1101[0...n]	Skip speed bandwidth / n_skip bandwidth
p1120[0...n]	Ramp-function generator ramp-up time / RFG ramp-up time
p1121[0...n]	Ramp-function generator ramp-down time / RFG ramp-down time

p1123[0...n]	Ramp-function generator minimum ramp-up time / RFG t_{RU} min
p1127[0...n]	Ramp-function generator minimum ramp-down time / RFG t_{RD} min
p1130[0...n]	Ramp-function generator initial rounding-off time / RFG t_{start_round}
p1131[0...n]	Ramp-function generator final rounding-off time / RFG t_{end_delay}
p1134[0...n]	Ramp-function generator rounding-off type / RFG round-off type
p1135[0...n]	OFF3 ramp-down time / OFF3 t_{RD}
p1136[0...n]	OFF3 initial rounding-off time / RFGOFF3 t_{strt_rnd}
p1137[0...n]	OFF3 final rounding-off time / RFG OFF3 t_{end_del}
p1145[0...n]	Ramp-function generator tracking intensity. / RFG track intens
p1148[0...n]	Ramp-function gen. tolerance for ramp-up and ramp-down active / RFG tol HL/RL act
p1200[0...n]	Flying restart operating mode / FlyRest op_mode
p1202[0...n]	Flying restart search current / FlyRest I_{srch}
p1203[0...n]	Flying restart search rate factor / FlyRst v_{Srch} Fact
p1226[0...n]	Threshold for zero speed detection / $n_{standst}$ n_{thresh}
p1240[0...n]	Vdc controller configuration (vector control) / Vdc ctr config vec
p1243[0...n]	Vdc_max controller dynamic factor / Vdc_max dyn_factor
p1245[0...n]	Vdc_min controller switch-in level (kinetic buffering) / Vdc_min on_level
p1247[0...n]	Vdc_min controller dynamic factor (kinetic buffering) / Vdc_min dyn_factor
p1249[0...n]	Vdc_max controller speed threshold / Vdc_max n_{thresh}
p1250[0...n]	Vdc controller proportional gain / Vdc_ctrl Kp
p1251[0...n]	Vdc controller integral time / Vdc_ctrl Tn
p1252[0...n]	Vdc controller rate time / Vdc_ctrl t_{rate}
p1255[0...n]	Vdc_min controller time threshold / Vdc_min t_{thresh}
p1256[0...n]	Vdc_min controller response (kinetic buffering) / Vdc_min response
p1257[0...n]	Vdc_min controller speed threshold / Vdc_min n_{thresh}
p1271[0...n]	Flying restart maximum frequency for the inhibited direction / FlyRes f_{max} dir
p1280[0...n]	Vdc controller configuration (U/f) / Vdc_ctr config U/f
p1283[0...n]	Vdc_max controller dynamic factor (U/f) / Vdc_max dyn_factor
p1284[0...n]	Vdc_max controller time threshold (U/f) / Vdc_max t_{thresh}
p1285[0...n]	Vdc_min controller switch-in level (kinetic buffering) (U/f) / Vdc_min on_level
p1287[0...n]	Vdc_min controller dynamic factor (kinetic buffering) (U/f) / Vdc_min dyn_factor
p1288[0...n]	Vdc_max controller feedback coupling factor ramp-fct. gen. (U/f) / Vdc_max factor RFG
p1290[0...n]	Vdc controller proportional gain (U/f) / Vdc_ctrl Kp
p1291[0...n]	Vdc controller integral time (U/f) / Vdc_ctrl Tn
p1292[0...n]	Vdc controller rate time (U/f) / Vdc_ctrl t_{rate}
p1293[0...n]	Vdc min controller output limit (U/f) / Vdc_min outp_lim
p1295[0...n]	Vdc_min controller time threshold (U/f) / Vdc_min t_{thresh}
p1296[0...n]	Vdc_min controller response (kinetic buffering) (U/f) / Vdc_min response
p1297[0...n]	Vdc_min controller speed threshold (U/f) / Vdc_min n_{thresh}
p1300[0...n]	Open-loop/closed-loop control operating mode / Op/cl-lp ctrl_mode
p1302[0...n]	U/f control configuration / U/f config
p1310[0...n]	Starting current (voltage boost) permanent / I_{start} (Ua) perm
p1311[0...n]	Starting current (voltage boost) when accelerating / I_{start} accel
p1312[0...n]	Starting current (voltage boost) when starting / I_{start} start
p1320[0...n]	U/f control programmable characteristic frequency 1 / Uf char f1
p1321[0...n]	U/f control programmable characteristic voltage 1 / Uf char U1
p1322[0...n]	U/f control programmable characteristic frequency 2 / Uf char f2
p1323[0...n]	U/f control programmable characteristic voltage 2 / Uf char U2
p1324[0...n]	U/f control programmable characteristic frequency 3 / Uf char f3
p1325[0...n]	U/f control programmable characteristic voltage 3 / Uf char U3
p1326[0...n]	U/f control programmable characteristic frequency 4 / Uf char f4
p1327[0...n]	U/f control programmable characteristic voltage 4 / Uf char U4
p1331[0...n]	Voltage limiting / U_{lim}
p1333[0...n]	U/f control FCC starting frequency / U/f FCC f_{start}
p1334[0...n]	U/f control slip compensation starting frequency / Slip comp start

p1335[0...n]	Slip compensation scaling / Slip comp scal
p1336[0...n]	Slip compensation limit value / Slip comp lim val
p1338[0...n]	U/f mode resonance damping gain / Uf Res_damp gain
p1339[0...n]	U/f mode resonance damping filter time constant / Uf Res_damp T
p1340[0...n]	I_max frequency controller proportional gain / I_max_ctrl Kp
p1341[0...n]	I_max frequency controller integral time / I_max_ctrl Tn
p1345[0...n]	I_max voltage controller proportional gain / I_max_U_ctrl Kp
p1346[0...n]	I_max voltage controller integral time / I_max_U_ctrl Tn
p1349[0...n]	U/f mode resonance damping maximum frequency / Uf res_damp f_max
p1350[0...n]	U/f control soft start / U/f soft start
p1351[0...n]	CO: Motor holding brake starting frequency / Brake f_start
p1400[0...n]	Speed control configuration / n_ctrl config
p1401[0...n]	Flux control configuration / Flux ctrl config
p1402[0...n]	Closed-loop current control and motor model configuration / I_ctrl config
p1416[0...n]	Speed setpoint filter 1 time constant / n_set_filt 1 T
p1441[0...n]	Actual speed smoothing time / n_act T_smooth
p1442[0...n]	Speed controller speed actual value smoothing time / n_ctr n_act T_smth
p1452[0...n]	Speed controller speed actual value smoothing time (sensorless) / n_C n_act T_s SL
p1456[0...n]	Speed controller P gain adaptation lower starting point / n_ctrl AdaptKpLow
p1457[0...n]	Speed controller P gain adaptation upper starting point / n_ctrl AdaptKp up
p1458[0...n]	Adaptation factor lower / Adapt_factor lower
p1459[0...n]	Adaptation factor upper / Adapt_factor upper
p1460[0...n]	Speed controller P gain adaptation speed lower / n_ctrl Kp n lower
p1461[0...n]	Speed controller Kp adaptation speed upper scaling / n_ctr Kp n up scal
p1462[0...n]	Speed controller integral time adaptation speed lower / n_ctrl Tn n lower
p1463[0...n]	Speed controller Tn adaptation speed upper scaling / n_ctr Tn n up scal
p1464[0...n]	Speed controller adaptation speed lower / n_ctrl n lower
p1465[0...n]	Speed controller adaptation speed upper / n_ctrl n upper
p1470[0...n]	Speed controller encoderless operation P-gain / n_ctrl SL Kp
p1472[0...n]	Speed controller encoderless operation integral time / n_ctrl SL Tn
p1487[0...n]	Droop compensation torque scaling / Droop M_comp scal
p1488[0...n]	Droop input source / Droop input source
p1489[0...n]	Droop feedback scaling / Droop scal
p1496[0...n]	Acceleration pre-control scaling / a_prectrl scal
p1498[0...n]	Load moment of inertia / Load M_inertia
p1499[0...n]	Accelerating for torque control scaling / a for M_ctrl scal
p1514[0...n]	Supplementary torque 2 scaling / M_suppl 2 scal
p1517[0...n]	Accelerating torque smoothing time constant / M_accel T_smooth
p1520[0...n]	CO: Torque limit upper / M_max upper
p1521[0...n]	CO: Torque limit lower / M_max lower
p1524[0...n]	CO: Torque limit upper scaling / M_max upper scal
p1525[0...n]	CO: Torque limit lower scaling / M_max lower scal
p1530[0...n]	Power limit motoring / P_max mot
p1531[0...n]	Power limit regenerative / P_max gen
p1553[0...n]	Stall limit scaling / Stall limit scal
p1560[0...n]	Moment of inertia estimator accelerating torque threshold value / J_est M thresh
p1561[0...n]	Moment of inertia estimator change time moment of inertia / J_est t J
p1562[0...n]	Moment of inertia estimator change time load / J_est t load
p1563[0...n]	CO: Mom. of inertia estimator load torque direction of rotation pos. / J_est M pos
p1564[0...n]	CO: Mom. of inertia estimator load torque direction of rotation neg. / J_est M neg
p1570[0...n]	CO: Flux setpoint / Flex setp
p1573[0...n]	Flux threshold value magnetizing / Flux thresh magnet
p1574[0...n]	Voltage reserve dynamic / U_reserve dyn
p1580[0...n]	Efficiency optimization / Efficiency opt.
p1582[0...n]	Flux setpoint smoothing time / Flux setp T_smth

p1584[0...n]	Field weakening operation flux setpoint smoothing time / Field weak T_smth
p1586[0...n]	Field weakening characteristic scaling / Field weak scal
p1590[0...n]	Flux controller P gain / Flux controller Kp
p1594[0...n]	Field-weakening controller P gain / Field_ctrl Kp
p1596[0...n]	Field weakening controller integral-action time / Field_ctrl Tn
p1610[0...n]	Torque setpoint static (sensorless) / M_set static
p1611[0...n]	Additional acceleration torque (sensorless) / M_suppl_accel
p1616[0...n]	Current setpoint smoothing time / I_set T_smooth
p1654[0...n]	Curr. setpoint torque-gen. smoothing time field weakening range / Isq_s T_smth FW
p1702[0...n]	Isd current controller pre-control scaling / Isd_ctr_prectrScal
p1703[0...n]	Isq current controller pre-control scaling / Isq_ctr_prectrScal
p1715[0...n]	Current controller P gain / I_ctrl Kp
p1717[0...n]	Current controller integral-action time / I_ctrl Tn
p1726[0...n]	Quadrature arm decoupling scaling / Transv_decpl scal
p1727[0...n]	Quadrature arm decoupling at voltage limit scaling / TrnsvDecplVmaxScal
p1730[0...n]	Isd controller integral component shutdown threshold / Isd ctrl Tn shutd
p1731[0...n]	Isd controller combination current time component / Isd ctr I_combi T1
p1740[0...n]	Gain resonance damping for encoderless closed-loop control / Gain res_damp
p1744[0...n]	Motor model speed threshold stall detection / MotMod n_thr stall
p1745[0...n]	Motor model error threshold stall detection / MotMod ThreshStall
p1749[0...n]	Motor model increase changeover speed encoderless operation / Incr n_chng no enc
p1750[0...n]	Motor model configuration / MotMod config
p1752[0...n]	Motor model changeover speed operation with encoder / MotMod n_chgov enc
p1753[0...n]	Motor model changeover speed hysteresis operation with encoder / MotMod n_chgovHysE
p1755[0...n]	Motor model changeover speed encoderless operation / MotMod n_chgSnsorl
p1758[0...n]	Motor model changeover delay time closed/open-loop control / MotMod t_cl_op
p1759[0...n]	Motor model changeover delay time open/closed-loop control / MotMod t_op_cl
p1760[0...n]	Motor model with encoder speed adaptation Kp / MotMod wE n_ada Kp
p1761[0...n]	Motor model with encoder speed adaptation Tn / MotMod wE n_ada Tn
p1764[0...n]	Motor model without encoder speed adaptation Kp / MotMod woE n_adaKp
p1767[0...n]	Motor model without encoder speed adaptation Tn / MotMod woE n_adaTn
p1774[0...n]	Motor model offset voltage compensation alpha / MotMod offs comp A
p1775[0...n]	Motor model offset voltage compensation beta / MotMod offs comp B
p1780[0...n]	Motor model adaptation configuration / MotMod adapt conf
p1784[0...n]	Motor model feedback scaling / MotMod fdbk scal
p1785[0...n]	Motor model Lh adaptation Kp / MotMod Lh Kp
p1786[0...n]	Motor model Lh adaptation integral time / MotMod Lh Tn
r1787[0...n]	Motor model Lh adaptation corrective value / MotMod Lh corr
p1795[0...n]	Motor model kT adaptation integral time / MotMod kT Tn
r1797[0...n]	Motor model kT adaptation corrective value / MotMod kT corr
p1800[0...n]	Pulse frequency setpoint / Pulse freq setp
p1802[0...n]	Modulator mode / Modulator mode
p1803[0...n]	Maximum modulation depth / Modulat depth max
p1806[0...n]	Filter time constant Vdc correction / T_filt Vdc_corr
p1820[0...n]	Reverse the output phase sequence / Outp_ph_seq rev
p1959[0...n]	Rotating measurement configuration / Rot meas config
p2140[0...n]	Hysteresis speed 2 / n_hysteresis 2
p2141[0...n]	Speed threshold 1 / n_thresh val 1
p2142[0...n]	Hysteresis speed 1 / n_hysteresis 1
p2149[0...n]	Monitoring configuration / Monit config
p2150[0...n]	Hysteresis speed 3 / n_hysteresis 3
p2152[0...n]	Delay for comparison n > n_max / Del n > n_max
p2153[0...n]	Speed actual value filter time constant / n_act_filt T
p2155[0...n]	Speed threshold 2 / n_thresh val 2
p2156[0...n]	On delay comparison value reached / t_on cmpr val rchd

p2157[0...n]	Speed threshold 5 / n_thresh val 5
p2158[0...n]	Delay for n_act comparison with speed threshold value 5 / Del compar n_5
p2159[0...n]	Speed threshold 6 / n_thresh val 6
p2160[0...n]	Delay for n_act comparison with speed threshold value 6 / Del compar n_6
p2161[0...n]	Speed threshold 3 / n_thresh val 3
p2162[0...n]	Hysteresis speed n_act > n_max / Hyst n_act>n_max
p2163[0...n]	Speed threshold 4 / n_thresh val 4
p2164[0...n]	Hysteresis speed 4 / n_hysteresis 4
p2166[0...n]	Off delay n_act = n_set / t_del_off n_i=n_so
p2167[0...n]	Switch-on delay n_act = n_set / t_on n_act=n_set
p2170[0...n]	Current threshold value / I_thres
p2171[0...n]	Current threshold value reached delay time / I_thresh rch t_del
p2172[0...n]	DC link voltage threshold value / Vdc thresh val
p2173[0...n]	DC link voltage comparison delay time / t_del Vdc
p2174[0...n]	Torque threshold value 1 / M_thresh val 1
p2175[0...n]	Motor blocked speed threshold / Mot lock n_thresh
p2176[0...n]	Torque threshold value comparison delay time / M_thrsh comp T_del
p2177[0...n]	Motor blocked delay time / Mot lock t_del
p2178[0...n]	Motor stalled delay time / Mot stall t_del
p2179[0...n]	Output load identification current limit / Outp_Id iden I_lim
p2180[0...n]	Output load detection delay time / Out_load det t_del
p2181[0...n]	Load monitoring response / Load monit resp
p2182[0...n]	Load monitoring speed threshold value 1 / n_thresh 1
p2183[0...n]	Load monitoring speed threshold value 2 / n_thresh 2
p2184[0...n]	Load monitoring speed threshold value 3 / n_thresh 3
p2185[0...n]	Load monitoring torque threshold 1 upper / M_thresh 1 upper
p2186[0...n]	Load monitoring torque threshold 1 lower / M_thresh 1 lower
p2187[0...n]	Load monitoring torque threshold 2 upper / M_thresh 2 upper
p2188[0...n]	Load monitoring torque threshold 2 lower / M_thresh 2 lower
p2189[0...n]	Load monitoring torque threshold 3 upper / M_thresh 3 upper
p2190[0...n]	Load monitoring torque threshold 3 lower / M_thresh 3 lower
p2192[0...n]	Load monitoring delay time / Load monit t_del
p2193[0...n]	Load monitoring configuration / Load monit config
p2194[0...n]	Torque threshold value 2 / M_thresh val 2
p2195[0...n]	Torque utilization switch-off delay / M_util t_off
p2196[0...n]	Torque utilization scaling / M_util scal
p2201[0...n]	CO: Technology controller fixed value 1 / Tec_ctrl fix val1
p2202[0...n]	CO: Technology controller fixed value 2 / Tec_ctr fix val 2
p2203[0...n]	CO: Technology controller fixed value 3 / Tec_ctr fix val 3
p2204[0...n]	CO: Technology controller fixed value 4 / Tec_ctr fix val 4
p2205[0...n]	CO: Technology controller fixed value 5 / Tec_ctr fix val 5
p2206[0...n]	CO: Technology controller fixed value 6 / Tec_ctr fix val 6
p2207[0...n]	CO: Technology controller fixed value 7 / Tec_ctr fix val 7
p2208[0...n]	CO: Technology controller fixed value 8 / Tec_ctr fix val 8
p2209[0...n]	CO: Technology controller fixed value 9 / Tec_ctr fix val 9
p2210[0...n]	CO: Technology controller fixed value 10 / Tec_ctr fix val 10
p2211[0...n]	CO: Technology controller fixed value 11 / Tec_ctr fix val 11
p2212[0...n]	CO: Technology controller fixed value 12 / Tec_ctr fix val 12
p2213[0...n]	CO: Technology controller fixed value 13 / Tec_ctr fix val 13
p2214[0...n]	CO: Technology controller fixed value 14 / Tec_ctr fix val 14
p2215[0...n]	CO: Technology controller fixed value 15 / Tec_ctr fix val 15
p2216[0...n]	Technology controller fixed value selection method / Tec_ctr FixVal sel
p2230[0...n]	Technology controller motorized potentiometer configuration / Tec_ctr mop config
p2237[0...n]	Technology controller motorized potentiometer maximum value / Tec_ctrl mop max
p2238[0...n]	Technology controller motorized potentiometer minimum value / Tec_ctrl mop min

p2240[0...n]	Technology controller motorized potentiometer starting value / Tec_ctrl mop start
p2247[0...n]	Technology controller motorized potentiometer ramp-up time / Tec_ctr mop t_r-up
p2248[0...n]	Technology controller motorized potentiometer ramp-down time / Tec_ctrMop t_r-down
p2502[0...n]	LR encoder assignment / Encoder assignment
p2503[0...n]	LR length unit LU per 10 mm / LU per 10 mm
p2504[0...n]	LR motor/load motor revolutions / Mot/load motor rev
p2505[0...n]	LR motor/load load revolutions / Mot/load load rev
p2506[0...n]	LR length unit LU per load revolution / LU per load rev
p2519[0...n]	LR position actual value preprocessing config. DDS changeover / s_act config DDS
p2533[0...n]	LR position setpoint filter time constant / s_set_filt T
p2534[0...n]	LR speed pre-control factor / n_prectrl fact
p2535[0...n]	LR speed pre-control balancing filter dead time / n_prectrFlt t_dead
p2536[0...n]	LR speed pre-control symmetrizing filter PT1 / n_prectrl filt PT1
p2538[0...n]	LR proportional gain / Kp
p2539[0...n]	LR integral time / Tn
p2546[0...n]	LR dynamic following error monitoring tolerance / s_delta_monit tol
p2567[0...n]	LR torque pre-control moment of inertia / M_prectr M_inertia
p2634[0...n]	EPOS fixed stop maximum following error / Following err max
p2720[0...n]	Load gear configuration / Load gear config
p2721[0...n]	Load gear rotary absolute encoder revolutions virtual / Abs rot rev
p2722[0...n]	Load gear position tracking tolerance window / Pos track tol
r2723[0...n]	CO: Load gear absolute value / Load gear abs_val
r2724[0...n]	CO: Load gear position difference / Load gear pos diff
p2900[0...n]	CO: Fixed value 1 [%] / Fixed value 1 [%]
p2901[0...n]	CO: Fixed value 2 [%] / Fixed value 2 [%]
p2930[0...n]	CO: Fixed value M [Nm] / Fixed value M [Nm]
p3231[0...n]	Load monitoring speed deviation / Load monit n_dev
p3233[0...n]	Torque actual value filter time constant / M_act_filt T
p3320[0...n]	Fluid flow machine power point 1 / Fluid_mach P1
p3321[0...n]	Fluid flow machine speed point 1 / Fluid_mach n1
p3322[0...n]	Fluid flow machine power point 2 / Fluid_mach P2
p3323[0...n]	Fluid flow machine speed point 2 / Fluid_mach n2
p3324[0...n]	Fluid flow machine power point 3 / Fluid_mach P3
p3325[0...n]	Fluid flow machine speed point 3 / Fluid_mach n3
p3326[0...n]	Fluid flow machine power point 4 / Fluid_mach P4
p3327[0...n]	Fluid flow machine speed point 4 / Fluid_mach n4
p3328[0...n]	Fluid flow machine power point 5 / Fluid_mach P5
p3329[0...n]	Fluid flow machine speed point 5 / Fluid_mach n5
p3856[0...n]	Compound braking current / Compound I_brake
r3925[0...n]	Identification final display / Ident final_disp
r3927[0...n]	Motor data identification control word / MotID STW
r3928[0...n]	Rotating measurement configuration / Rot meas config
r3929[0...n]	Motor data identification modulated voltage generation / MotID U_gen mod
p5300[0...n]	Autotuning selection / Autotuning select
p5301[0...n]	One Button Tuning configuration / OBT config
p5302[0...n]	Online tuning configuration / OT config

2.3.3 Motor data sets (MDS)

Product: SINAMICS G120S, Version: 4702900, Language: eng, Type: MDS

p0133[0...n]	Motor configuration / Motor config
p0300[0...n]	Motor type selection / Mot type sel
p0301[0...n]	Motor code number selection / Mot code No. sel
r0302[0...n]	Motor code number of motor with DRIVE-CLiQ / Mot code mot w/ DQ
p0304[0...n]	Rated motor voltage / Mot U _{rated}
p0305[0...n]	Rated motor current / Mot I _{rated}
p0306[0...n]	Number of motors connected in parallel / Motor qty
p0307[0...n]	Rated motor power / Mot P _{rated}
p0308[0...n]	Rated motor power factor / Mot cos phi rated
p0309[0...n]	Rated motor efficiency / Mot eta _{rated}
p0310[0...n]	Rated motor frequency / Mot f _{rated}
p0311[0...n]	Rated motor speed / Mot n _{rated}
p0312[0...n]	Rated motor torque / Mot M _{rated}
r0313[0...n]	Motor pole pair number, actual (or calculated) / Mot PolePairNo act
p0314[0...n]	Motor pole pair number / Mot pole pair No.
p0316[0...n]	Motor torque constant / Mot kT
p0318[0...n]	Motor stall current / Mot I _{standstill}
p0320[0...n]	Motor rated magnetizing current/short-circuit current / Mot I _{mag_{rated}}
p0322[0...n]	Maximum motor speed / Mot n _{max}
p0323[0...n]	Maximum motor current / Mot I _{max}
p0325[0...n]	Motor pole position identification current 1st phase / Mot PolID I 1st ph
p0326[0...n]	Motor stall torque correction factor / Mot M _{stall_{corr}}
p0327[0...n]	Optimum motor load angle / Mot phi _{load opt}
p0328[0...n]	Motor reluctance torque constant / Mot kT _{reluctance}
p0329[0...n]	Motor pole position identification current / Mot PolID current
r0330[0...n]	Rated motor slip / Mot slip _{rated}
r0331[0...n]	Actual motor magnetizing current/short-circuit current / Mot I _{mag_{rtd act}}
r0332[0...n]	Rated motor power factor / Mot cos phi rated
r0333[0...n]	Rated motor torque / Mot M _{rated}
r0334[0...n]	Actual motor-torque constant / Mot kT act
p0335[0...n]	Motor cooling type / Mot cool type
r0337[0...n]	Rated motor EMF / Mot EMF _{rated}
p0341[0...n]	Motor moment of inertia / Mot M _{mom of inert}
p0342[0...n]	Ratio between the total and motor moment of inertia / Mot MomInert Ratio
r0343[0...n]	Rated motor current identified / Mot I _{rated ident}
p0344[0...n]	Motor weight (for the thermal motor model) / Mot weight th mod
r0345[0...n]	Nominal motor starting time / Mot t _{start_{rated}}
p0346[0...n]	Motor excitation build-up time / Mot t _{excitation}
p0347[0...n]	Motor de-excitation time / Mot t _{de_{excitat}}
p0350[0...n]	Motor stator resistance cold / Mot R _{stator cold}
p0352[0...n]	Cable resistance / R _{cable}
p0354[0...n]	Motor rotor resistance cold / Mot R _{r cold}
p0356[0...n]	Motor stator leakage inductance / Mot L _{stator leak} .
p0357[0...n]	Motor stator inductance d axis / Mot L _{stator d}
p0358[0...n]	Motor rotor leakage inductance / Mot L _{rot leak}
p0360[0...n]	Motor magnetizing inductance / Mot L _h
p0362[0...n]	Motor saturation characteristic flux 1 / Mot saturat.flux 1
p0363[0...n]	Motor saturation characteristic flux 2 / Mot saturat.flux 2
p0364[0...n]	Motor saturation characteristic flux 3 / Mot saturat.flux 3
p0365[0...n]	Motor saturation characteristic flux 4 / Mot saturat.flux 4
p0366[0...n]	Motor saturation characteristic I _{mag 1} / Mot sat. I _{mag 1}
p0367[0...n]	Motor saturation characteristic I _{mag 2} / Mot sat. I _{mag 2}
p0368[0...n]	Motor saturation characteristic I _{mag 3} / Mot sat. I _{mag 3}

p0369[0...n]	Motor saturation characteristic I_mag 4 / Mot sat. I_mag 4
r0370[0...n]	Motor stator resistance cold / Mot R_stator cold
r0372[0...n]	Cable resistance / Mot R_cable
r0373[0...n]	Motor rated stator resistance / Mot R_stator rated
r0374[0...n]	Motor rotor resistance cold / Mot R_r cold
r0376[0...n]	Rated motor rotor resistance / Mot rated R_rotor
r0377[0...n]	Motor leakage inductance total / Mot L_leak total
r0378[0...n]	Motor stator inductance d axis / Mot L_stator d
r0382[0...n]	Motor magnetizing inductance transformed / Mot L_magn transf
r0384[0...n]	Motor rotor time constant / damping time constant d axis / Mot T_rotor/T_Dd
r0386[0...n]	Motor stator leakage time constant / Mot T_stator leak
r0395[0...n]	Actual stator resistance / R_stator act
r0396[0...n]	Actual rotor resistance / R_rotor act
p0397[0...n]	Angle magnetic decoupling maximum angle / Magn decpl max_ang
p0530[0...n]	Bearing version selection / Bearing vers sel
p0531[0...n]	Bearing code number selection / Bearing codeNo sel
p0532[0...n]	Bearing maximum speed / Bearing n_max
p0600[0...n]	Motor temperature sensor for monitoring / Mot temp_sensor
p0601[0...n]	Motor temperature sensor type / Mot_temp_sens type
p0604[0...n]	Mot_temp_mod 2/KTY alarm threshold / Mod 2/KTY A thresh
p0605[0...n]	Mot_temp_mod 1/2 threshold / Mod 1/2 threshold
p0606[0...n]	Mot_temp_mod 2/KTY timer / Mod 2/KTY t_timer
p0607[0...n]	Temperature sensor fault timer / Sensor fault time
p0610[0...n]	Motor overtemperature response / Mot temp response
p0611[0...n]	I2t motor model thermal time constant / I2t mot_mod T
p0612[0...n]	Mot_temp_mod activation / Mot_temp_mod act
p0614[0...n]	Thermal resistance adaptation reduction factor / Therm R_adapt red
p0615[0...n]	Mot_temp_mod 1 (I2t) fault threshold / I2t F thresh
p0620[0...n]	Thermal adaptation, stator and rotor resistance / Mot therm_adapt R
p0621[0...n]	Identification stator resistance after restart / Rst_ident Restart
p0622[0...n]	Motor excitation time for Rs_ident after powering up again / t_excit Rs_id
p0625[0...n]	Motor ambient temperature during commissioning / Mot T_ambient
p0626[0...n]	Motor overtemperature, stator core / Mot T_over core
p0627[0...n]	Motor overtemperature, stator winding / Mot T_over stator
p0628[0...n]	Motor overtemperature rotor winding / Mot T_over rotor
r0630[0...n]	Mot_temp_mod ambient temperature / Mod T_ambient
r0631[0...n]	Mot_temp_mod stator iron temperature / Mod T_stator
r0632[0...n]	Mot_temp_mod stator winding temperature / Mod T_winding
r0633[0...n]	Mot_temp_mod rotor temperature / Mod rotor temp
p0634[0...n]	Q flux flux constant unsaturated / PSIQ KPSI UNSAT
p0635[0...n]	Q flux quadrature axis current constant unsaturated / PSIQ KIQ UNSAT
p0636[0...n]	Q flux direct axis current constant unsaturated / PSIQ KID UNSAT
p0637[0...n]	Q flux flux gradient saturated / PSIQ Grad SAT
p0650[0...n]	Actual motor operating hours / Mot t_oper act
p0651[0...n]	Motor operating hours maintenance interval / Mot t_op maint
p0826[0...n]	Motor changeover motor number / Mot_chng mot No.
p1231[0...n]	DC braking configuration / DCBRK config
p1232[0...n]	DC braking braking current / DCBRK I_brake
p1233[0...n]	DC braking time / DCBRK time
p1234[0...n]	Speed at the start of DC braking / DCBRK n_start
p1909[0...n]	Motor data identification control word / MotID STW
p1980[0...n]	PollID technique / PollID technique

p1999[0...n]	Ang. commutation offset calibr. and PolID scaling / Com_ang_offs scal
r3926[0...n]	Voltage generation alternating base voltage amplitude / U_gen altern base
r5398[0...n]	Mot_temp_mod 3 alarm threshold image p5390 / A thr image p5390
r5399[0...n]	Mot_temp_mod 3 fault threshold image p5391 / F thr image p5391

2.3.4 Power unit Data Sets (PDS)

Product: SINAMICS G120S, Version: 4702900, Language: eng, Type: PDS

p0124[0...n]	CU detection via LED / CU detection LED
r0200[0...n]	Power unit code number actual / PU code no. act
p0201[0...n]	Power unit code number / PU code no
r0203[0...n]	Actual power unit type / PU actual type
r0204[0...n]	Power unit hardware properties / PU HW property

2.3.5 Encoder Data Sets (EDS)

Product: SINAMICS G120S, Version: 4702900, Language: eng, Type: EDS

p0142[0...n]	Encoder component number / Encoder comp_no
r0148[0...n]	Sensor Module firmware version / SM FW version
p0400[0...n]	Encoder type selection / Enc_typ sel
p0402[0...n]	Gearbox type selection / Gearbox type sel
p0404[0...n]	Encoder configuration effective / Enc_config eff
p0405[0...n]	Square-wave encoder track A/B / Sq-wave enc A/B
p0407[0...n]	Linear encoder grid division / Enc grid div
p0408[0...n]	Rotary encoder pulse number / Rot enc pulse No.
p0410[0...n]	Encoder inversion actual value / Enc inv act value
p0411[0...n]	Measuring gear configuration / Meas gear config
p0412[0...n]	Measuring gear absolute encoder rotary revolutions virtual / Abs rot rev
p0413[0...n]	Measuring gear position tracking tolerance window / Pos track window
p0418[0...n]	Fine resolution Gx_XIST1 (in bits) / Enc fine Gx_XIST1
p0419[0...n]	Fine resolution absolute value Gx_XIST2 (in bits) / Enc fine Gx_XIST2
p0420[0...n]	Encoder connection / Enc_connection
p0421[0...n]	Absolute encoder rotary multiturn resolution / Enc abs multiturn
p0422[0...n]	Absolute encoder linear measuring step resolution / Enc abs meas step
p0423[0...n]	Absolute encoder rotary singleturn resolution / Enc abs singleturn
p0424[0...n]	Encoder linear zero mark distance / Enc lin ZM_dist
p0425[0...n]	Encoder rotary zero mark distance / Enc rot dist ZM
p0426[0...n]	Encoder zero mark differential distance / Enc ZM Dif_dist
p0427[0...n]	Encoder SSI baud rate / Enc SSI baud rate
p0428[0...n]	Encoder SSI monoflop time / Enc SSI t_monoflop
p0429[0...n]	Encoder SSI configuration / Enc SSI config
p0430[0...n]	Sensor Module configuration / SM config
p0431[0...n]	Angular commutation offset / Ang_com offset
p0432[0...n]	Gearbox factor encoder revolutions / Grbx_fact enc_rev
p0433[0...n]	Gearbox factor motor/load revolutions / Grbx_fact mot_rev
p0434[0...n]	Encoder SSI error bit / Enc SSI error bit
p0435[0...n]	Encoder SSI alarm bit / Enc SSI alarm bit
p0436[0...n]	Encoder SSI parity bit / Enc SSI parity bit
p0437[0...n]	Sensor Module configuration extended / SM config ext
p0438[0...n]	Squarewave encoder filter time / Enc t_filt
p0439[0...n]	Encoder ramp-up time / Enc ramp-up time
p0440[0...n]	Copy encoder serial number / Copy enc ser_no

p0441[0...n]	Encoder commissioning serial number part 1 / Enc comm ser_no 1
p0442[0...n]	Encoder commissioning serial number part 2 / Enc comm ser_no 2
p0443[0...n]	Encoder commissioning serial number part 3 / Enc comm ser_no 3
p0444[0...n]	Encoder commissioning serial number part 4 / Enc comm ser_no 4
p0445[0...n]	Encoder commissioning serial number part 5 / Enc comm ser_no 5
p0446[0...n]	Encoder SSI number of bits before the absolute value / Enc SSI bit before
p0447[0...n]	Encoder SSI number of bits absolute value / Enc SSI bit val
p0448[0...n]	Encoder SSI number of bits after the absolute value / Enc SSI bit after
p0449[0...n]	Encoder SSI number of bits filler bits / Enc SSI fill bits
p0453[0...n]	Pulse encoder evaluation zero speed measuring time / Enc_ev n_0 t_meas
p0468[0...n]	Encoder interface / Encoder interface
p0493[0...n]	Zero mark selection input terminal / ZM_sel inp_term
p0494[0...n]	Equivalent zero mark input terminal / ZM_equiv inp_term
p2507[0...n]	LR absolute encoder adjustment status / Abs_enc_adj stat
p2525[0...n]	CO: LR encoder adjustment offset / Enc_adj offset
p2733[0...n]	CO: LR encoder adjustment DDS / Enc_adjust DDS
p4662[0...n]	Encoder characteristic type / Enc char_type
p4663[0...n]	Encoder characteristic K0 / Enc char K0
p4664[0...n]	Encoder characteristic K1 / Enc char K1
p4665[0...n]	Encoder characteristic K2 / Enc char K2
p4666[0...n]	Encoder characteristic K3 / Enc char K3
p4670[0...n]	Analog sensor configuration / Ana_sens config
p4671[0...n]	Analog sensor input / Ana_sens inp
p4672[0...n]	Analog sensor channel A voltage at actual value zero / Ana_sens A U at 0
p4673[0...n]	Analog sensor channel A voltage per encoder period / Ana_sens A U/per
p4674[0...n]	Analog sensor channel B voltage at actual value zero / Ana_sens B U at 0
p4675[0...n]	Analog sensor channel B voltage per encoder period / Ana_sens B U/per
p4676[0...n]	Analog sensor range limit threshold / Ana_sens lim thr
p4677[0...n]	Analog sensor LVDT configuration / Ana_sens LVDT conf
p4678[0...n]	Analog sensor LVDT ratio / An_sens LVDT ratio
p4679[0...n]	Analog sensor LVDT phase / An_sens LVDT ph
p4680[0...n]	Zero mark monitoring tolerance permissible / ZM_monit tol perm
p4681[0...n]	Zero mark monitoring tolerance window limit 1 positive / ZM tol lim 1 pos
p4682[0...n]	Zero mark monitoring tolerance window limit 1 negative / ZM tol lim 1 neg
p4683[0...n]	Zero mark monitoring tolerance window alarm threshold positive / ZM tol A_thr pos
p4684[0...n]	Zero mark monitoring tolerance window alarm threshold negative / ZM tol A_thr neg
p4685[0...n]	Speed actual value mean value generation / n_act mean val
p4686[0...n]	Zero mark minimum length / ZM min length

2.4 BICO parameters (connectors/binectors)

2.4.1 Binector inputs (BI)

Product: SINAMICS G120S, Version: 4702900, Language: eng, Type: BI

p0730	BI: CU signal source for terminal DO 0 / CU S_src DO 0
p0731	BI: CU signal source for terminal DO 1 / CU S_src DO 1
p0732	BI: CU signal source for terminal DO 2 / CU S_src DO 2
p0738	BI: CU signal source for terminal DI/DO 24 / CU S_src DI/DO 24
p0739	BI: CU signal source for terminal DI/DO 25 / CU S_src DI/DO 25
p0740	BI: CU signal source for terminal DI/DO 26 / CU S_src DI/DO 26
p0741	BI: CU signal source for terminal DI/DO 27 / CU S_src DI/DO 27
p0782[0...1]	BI: CU analog outputs invert signal source / CU AO inv S_src
p0806	BI: Inhibit master control / PcCtrl inhibit
p0810	BI: Command data set selection CDS bit 0 / CDS select., bit 0
p0811	BI: Command data set selection CDS bit 1 / CDS select., bit 1
p0820[0...n]	BI: Drive Data Set selection DDS bit 0 / DDS select., bit 0
p0821[0...n]	BI: Drive Data Set selection DDS bit 1 / DDS select., bit 1
p0840[0...n]	BI: ON / OFF (OFF1) / ON / OFF (OFF1)
p0844[0...n]	BI: No coast-down / coast-down (OFF2) signal source 1 / OFF2 S_src 1
p0845[0...n]	BI: No coast-down / coast-down (OFF2) signal source 2 / OFF2 S_src 2
p0848[0...n]	BI: No Quick Stop / Quick Stop (OFF3) signal source 1 / OFF3 S_src 1
p0849[0...n]	BI: No Quick Stop / Quick Stop (OFF3) signal source 2 / OFF3 S_src 2
p0852[0...n]	BI: Enable operation/inhibit operation / Operation enable
p0854[0...n]	BI: Control by PLC/no control by PLC / Master ctrl by PLC
p0855[0...n]	BI: Unconditionally release holding brake / Uncond open brake
p0856[0...n]	BI: Speed controller enable / n_ctrl enable
p0858[0...n]	BI: Unconditionally close holding brake / Uncond close brake
p0860	BI: Line contactor feedback signal / Line contact feedb
p0897	BI: Parking axis selection / Parking axis sel
p1020[0...n]	BI: Fixed speed setpoint selection Bit 0 / n_set_fixed Bit 0
p1021[0...n]	BI: Fixed speed setpoint selection Bit 1 / n_set_fixed Bit 1
p1022[0...n]	BI: Fixed speed setpoint selection Bit 2 / n_set_fixed Bit 2
p1023[0...n]	BI: Fixed speed setpoint selection Bit 3 / n_set_fixed Bit 3
p1035[0...n]	BI: Motorized potentiometer setpoint raise / Mop raise
p1036[0...n]	BI: Motorized potentiometer lower setpoint / Mop lower
p1039[0...n]	BI: Motorized potentiometer inversion / MotP inv
p1041[0...n]	BI: Motorized potentiometer manual/automatic / Mop manual/auto
p1043[0...n]	BI: Motorized potentiometer accept setting value / MotP acc set val
p1055[0...n]	BI: Jog bit 0 / Jog bit 0
p1056[0...n]	BI: Jog bit 1 / Jog bit 1
p1108[0...n]	BI: Total setpoint selection / Total setp sel
p1110[0...n]	BI: Inhibit negative direction / Inhib neg dir
p1111[0...n]	BI: Inhibit positive direction / Inhib pos dir
p1113[0...n]	BI: Setpoint inversion / Setp inv
p1122[0...n]	BI: Bypass ramp-function generator / Bypass RFG
p1140[0...n]	BI: Enable ramp-function generator/inhibit ramp-function generator / RFG enable
p1141[0...n]	BI: Continue ramp-function generator/freeze ramp-function generator / Continue RFG
p1142[0...n]	BI: Enable setpoint/inhibit setpoint / Setpoint enable
p1143[0...n]	BI: Ramp-function generator, accept setting value / RFG accept set v
p1201[0...n]	BI: Flying restart enable signal source / Fly_res enab S_src
p1230[0...n]	BI: DC braking activation / DC brake act
p1476[0...n]	BI: Speed controller hold integrator / n_ctrl integ stop

p1477[0...n]	BI: Speed controller set integrator value / n_ctrl integ set
p1492[0...n]	BI: Droop feedback enable / Droop enable
p1501[0...n]	BI: Change over between closed-loop speed/torque control / Changeov n/M_ctrl
p1502[0...n]	BI: Freeze moment of inertia estimator / J_estim freeze
p1545[0...n]	BI: Activates travel to a fixed stop / TfS activation
p2080[0...15]	BI: Binector-connector converter status word 1 / Bin/con ZSW1
p2081[0...15]	BI: Binector-connector converter status word 2 / Bin/con ZSW2
p2082[0...15]	BI: Binector-connector converter status word 3 / Bin/con ZSW3
p2083[0...15]	BI: Binector-connector converter status word 4 / Bin/con ZSW4
p2084[0...15]	BI: Binector-connector converter status word 5 / Bin/con ZSW5
p2103[0...n]	BI: 1. Acknowledge faults / 1. Acknowledge
p2104[0...n]	BI: 2. Acknowledge faults / 2. Acknowledge
p2105[0...n]	BI: 3. Acknowledge faults / 3. Acknowledge
p2106[0...n]	BI: External fault 1 / External fault 1
p2107[0...n]	BI: External fault 2 / External fault 2
p2108[0...n]	BI: External fault 3 / External fault 3
p2112[0...n]	BI: External alarm 1 / External alarm 1
p2116[0...n]	BI: External alarm 2 / External alarm 2
p2117[0...n]	BI: External alarm 3 / External alarm 3
p2144[0...n]	BI: Motor stall monitoring enable (negated) / Mot stall enab neg
p2148[0...n]	BI: RFG active / RFG active
p2200[0...n]	BI: Technology controller enable / Tec_ctrl enable
p2220[0...n]	BI: Technology controller fixed value selection bit 0 / Tec_ctrl sel bit 0
p2221[0...n]	BI: Technology controller fixed value selection bit 1 / Tec_ctrl sel bit 1
p2222[0...n]	BI: Technology controller fixed value selection bit 2 / Tec_ctrl sel bit 2
p2223[0...n]	BI: Technology controller fixed value selection bit 3 / Tec_ctrl sel bit 3
p2235[0...n]	BI: Technology controller motorized potentiometer raise setpoint / Tec_ctrl mop raise
p2236[0...n]	BI: Technology controller motorized potentiometer lower setpoint / Tec_ctrl mop lower
p2286[0...n]	BI: Hold technology controller integrator / Tec_ctr integ hold
p2508[0...3]	BI: LR activate reference mark search / Ref_mark act
p2509[0...3]	BI: LR activating measuring probe evaluation / MT_eval act
p2510[0...3]	BI: LR selecting measuring probe evaluation / MT_eval select
p2511[0...3]	BI: LR measuring probe evaluation edge / MT_eval edge
p2512[0...3]	BI: LR pos. actual value preprocessing activate corr. value (edge) / ActVal_prepCorrAct
p2514[0...3]	BI: LR activate position actual value setting / s_act setting act
p2549	BI: LR enable 1 / Enable 1
p2550	BI: LR enable 2 / Enable 2
p2551	BI: LR setpoint signal fixed / Mess setp fixed
p2552	BI: LR signal travel to fixed stop active / Signal TfS act
p2553	BI: LR signal fixed stop reached / Signal fixed stop
p2554	BI: LR signal traversing command active / Sig trav_cmnd act
p2568	BI: EPOS STOP cam activation / STOP cam act
p2569	BI: EPOS STOP cam minus / STOP cam minus
p2570	BI: EPOS STOP cam plus / STOP cam plus
p2575	BI: EPOS jerk limiting activation / Jerk limit act
p2577	BI: EPOS modulo correction activation / Modulo corr act
p2582	BI: EPOS software limit switch activation / SW lim sw act
p2589	BI: EPOS jog 1 signal source / Jog 1 S_src
p2590	BI: EPOS jog 2 signal source / Jog 2 S_src
p2591	BI: EPOS jogging incremental / Jog incr
p2595	BI: EPOS referencing start / Ref start
p2596	BI: EPOS set reference point / Set ref_pt
p2597	BI: EPOS referencing type selection / Ref_typ select
p2604	BI: EPOS search for reference start direction / Srch for ref dir
p2612	BI: EPOS search for reference reference cam / Ref_cam

p2613	BI: EPOS search for reference reversing cam minus / Rev minus
p2614	BI: EPOS search for reference reversing cam plus / Rev plus
p2625	BI: EPOS traversing block selection bit 0 / Trav_blk sel bit 0
p2626	BI: EPOS traversing block selection bit 1 / Trav_blk sel bit 1
p2627	BI: EPOS traversing block selection bit 2 / Trav_blk sel bit 2
p2628	BI: EPOS traversing block selection bit 3 / Trav_blk sel bit 3
p2631	BI: EPOS activate traversing task (0 -> 1) / Trav_task act
p2633	BI: EPOS external block change (0 -> 1) / Ext BlckChg (0->1)
p2637	BI: EPOS fixed stop reached / Fixed stop reached
p2638	BI: EPOS fixed stop outside the monitoring window / Fixed stop outside
p2639	BI: EPOS torque limit reached / M_limit reached
p2640	BI: EPOS intermediate stop (0 signal) / Intermediate stop
p2641	BI: EPOS reject traversing task (0 signal) / Trav_task reject
p2647	BI: EPOS direct setpoint input/MDI selection / MDI selection
p2648	BI: EPOS direct setpoint input/MDI positioning type / MDI pos_type
p2649	BI: EPOS direct setpoint input/MDI transfer type selection / MDI trans_type sel
p2650	BI: EPOS direct setpoint input/MDI setpoint acceptance edge / MDI setp_accept
p2651	BI: EPOS direct setpoint input/MDI direction selection, positive / MDI dir_sel pos
p2652	BI: EPOS direct setpoint input/MDI direction selection negative / MDI dir_sel neg
p2653	BI: EPOS direct setpoint input/MDI setting-up selection / MDI setting-up sel
p2655[0...1]	BI: EPOS select tracking mode / Sel tracking mode
p2656	BI: EPOS enable basic positioner / EPOS enable
p2658	BI: EPOS pos. actual value valid feedback signal / Pos valid feedback
p2659	BI: EPOS referencing active feedback signal / Ref act fdbk
p2661	BI: EPOS measured value valid feedback signal / MeasVal valid fdbk
p2662	BI: EPOS adjustment value valid feedback signal / Adj val valid FS
p2663	BI: EPOS clamping active feedback signal / Clamping active FS
p2730[0...3]	BI: LR pos. actual value preprocessing activate neg. corr. (edge) / ActV_prep neg corr
p2731	BI: LR reduce I component / Reduce I comp
p3111[0...n]	BI: External fault 3 enable / Ext fault 3 enab
p3112[0...n]	BI: External fault 3 enable negated / Ext flt 3 enab neg
p3232[0...n]	BI: Load monitoring failure detection / Load_moni fail_det
p3330[0...n]	BI: 2/3 wire control command 1 / 2/3 wire cmd 1
p3331[0...n]	BI: 2/3 wire control command 2 / 2/3 wire cmd 2
p3332[0...n]	BI: 2/3 wire control command 3 / 2/3 wire cmd 3
p4655[0...2]	BI: XIST1_ERW reset signal source / XIST1_ERW resS_src
p5614	BI: Pe set switch-on inhibit signal source / Pe sw on_inh s_src
p8785	BI: CAN status word bit 8 / Status word bit 8
p8786	BI: CAN status word bit 14 / Status word bit 14
p8787	BI: CAN status word bit 15 / Status word bit 15
p9705	BI: SI Motion: Test stop signal source / SI Mtn test stop
p10007	BI: SI Motion forced checking procedure F-DO signal source / SI dynF-DI/DOs_src
p20030[0...3]	BI: AND 0 inputs / AND 0 inputs
p20034[0...3]	BI: AND 1 inputs / AND 1 inputs
p20038[0...3]	BI: AND 2 inputs / AND 2 inputs
p20042[0...3]	BI: AND 3 inputs / AND 3 inputs
p20046[0...3]	BI: OR 0 inputs / OR 0 inputs
p20050[0...3]	BI: OR 1 inputs / OR 1 inputs
p20054[0...3]	BI: OR 2 inputs / OR 2 inputs
p20058[0...3]	BI: OR 3 inputs / OR 3 inputs
p20062[0...3]	BI: XOR 0 inputs / XOR 0 inputs
p20066[0...3]	BI: XOR 1 inputs / XOR 1 inputs
p20070[0...3]	BI: XOR 2 inputs / XOR 2 inputs
p20074[0...3]	BI: XOR 3 inputs / XOR 3 inputs
p20078	BI: NOT 0 input I / NOT 0 input I

p20082	BI: NOT 1 input I / NOT 1 input I
p20086	BI: NOT 2 input I / NOT 2 input I
p20090	BI: NOT 3 input I / NOT 3 input I
p20138	BI: MFP 0 input pulse I / MFP 0 inp_pulse I
p20143	BI: MFP 1 input pulse I / MFP 1 inp_pulse I
p20148	BI: PCL 0 input pulse I / PCL 0 inp_pulse I
p20153	BI: PCL 1 input pulse I / PCL 1 inp_pulse I
p20158	BI: PDE 0 input pulse I / PDE 0 inp_pulse I
p20163	BI: PDE 1 input pulse I / PDE 1 inp_pulse I
p20168	BI: PDF 0 input pulse I / PDF 0 inp_pulse I
p20173	BI: PDF 1 input pulse I / PDF 1 inp_pulse I
p20178[0...1]	BI: PST 0 inputs / PST 0 inputs
p20183[0...1]	BI: PST 1 inputs / PST 1 inputs
p20188[0...1]	BI: RSR 0 inputs / RSR 0 inputs
p20193[0...1]	BI: RSR 1 inputs / RSR 1 inputs
p20198[0...3]	BI: DFR 0 inputs / DFR 0 inputs
p20203[0...3]	BI: DFR 1 inputs / DFR 1 inputs
p20208[0...1]	BI: BSW 0 inputs / BSW 0 inputs
p20209	BI: BSW 0 switch setting I / BSW 0 sw_setting
p20213[0...1]	BI: BSW 1 inputs / BSW 1 inputs
p20214	BI: BSW 1 switch setting I / BSW 1 sw_setting
p20219	BI: NSW 0 switch setting I / NSW 0 sw_setting
p20224	BI: NSW 1 switch setting I / NSW 1 sw_setting
p20245	BI: PT1 0 accept setting value S / PT1 0 acc set val
p20251	BI: PT1 1 accept setting value S / PT1 1 acc set val
p20260	BI: INT 0 accept setting value S / INT 0 acc set val
p20300	BI: NOT 4 input I / NOT 4 input I
p20304	BI: NOT 5 input I / NOT 5 input I
p20324[0...1]	BI: RSR 2 inputs / RSR 2 inputs
p20329[0...3]	BI: DFR 2 inputs / DFR 2 inputs
p20334	BI: PDE 2 input pulse I / PDE 2 inp_pulse I
p20339	BI: PDE 3 input pulse I / PDE 3 inp_pulse I
p20344	BI: PDF 2 input pulse I / PDF 2 inp_pulse I
p20349	BI: PDF 3 input pulse I / PDF 3 inp_pulse I
p20354	BI: MFP 2 input pulse I / MFP 2 inp_pulse I
p20359	BI: MFP 3 input pulse I / MFP 3 inp_pulse I

2.4.2 Connector inputs (CI)

Product: SINAMICS G120S, Version: 4702900, Language: eng, Type: CI

p0480[0...2]	CI: Encoder control word Gn_STW signal source / Enc Gn_STW S_src
p0641[0...n]	CI: Current limit variable / Curr lim var
p0771[0...1]	CI: CU analog outputs signal source / CU AO S_src
p1042[0...n]	CI: Motorized potentiometer automatic setpoint / Mop auto setpoint
p1044[0...n]	CI: Motorized potentiometer setting value / Mop set val
p1051[0...n]	CI: Speed limit RFG positive direction of rotation / n_limit RFG pos
p1052[0...n]	CI: Speed limit RFG negative direction of rotation / n_limit RFG neg
p1070[0...n]	CI: Main setpoint / Main setpoint
p1071[0...n]	CI: Main setpoint scaling / Main setp scal
p1075[0...n]	CI: Supplementary setpoint / Suppl setp
p1076[0...n]	CI: Supplementary setpoint scaling / Suppl setp scal
p1085[0...n]	CI: Speed limit in positive direction of rotation / n_limit pos
p1088[0...n]	CI: Speed limit in negative direction of rotation / n_limit neg
p1098[0...n]	CI: Skip speed scaling / n_skip scal

2 Parameters

2.4 BICO parameters (connectors/binectors)

p1106[0...n]	Cl: Minimum speed signal source / n_min s_src
p1109[0...n]	Cl: Total setpoint / Total setp
p1138[0...n]	Cl: Ramp-function generator ramp-up time scaling / RFG t_RU scal
p1139[0...n]	Cl: Ramp-function generator ramp-down time scaling / RFG t_RD scal
p1144[0...n]	Cl: Ramp-function generator setting value / RFG setting value
p1155[0...n]	Cl: Speed controller speed setpoint 1 / n_ctrl n_set 1
p1160[0...n]	Cl: Speed controller speed setpoint 2 / n_ctrl n_set 2
p1330[0...n]	Cl: U/f control independent voltage setpoint / Uf U_set independ.
p1352[0...n]	Cl: Motor holding brake starting frequency signal source / Brake f_start
p1455[0...n]	Cl: Speed controller P gain adaptation signal / n_ctr adapt_sig Kp
p1466[0...n]	Cl: Speed controller P-gain scaling / n_ctrl Kp scal
p1475[0...n]	Cl: Speed controller torque setting value for motor holding brake / n_ctrl M_sv MHB
p1478[0...n]	Cl: Speed controller integrator setting value / n_ctr integ_setVal
p1479[0...n]	Cl: Speed controller integrator setting value scaling / n_ctrl I_val scal
p1486[0...n]	Cl: Droop compensation torque / Droop M_comp
p1503[0...n]	Cl: Torque setpoint / M_set
p1511[0...n]	Cl: Supplementary torque 1 / M_suppl 1
p1512[0...n]	Cl: Supplementary torque 1 scaling / M_suppl 1 scal
p1513[0...n]	Cl: Supplementary torque 2 / M_suppl 2
p1522[0...n]	Cl: Torque limit upper / M_max upper
p1523[0...n]	Cl: Torque limit lower / M_max lower
p1528[0...n]	Cl: Torque limit upper scaling / M_max upper scal
p1529[0...n]	Cl: Torque limit lower scaling / M_max lower scal
p1552[0...n]	Cl: Torque limit upper scaling without offset / M_max up w/o offs
p1554[0...n]	Cl: Torque limit lower scaling without offset / M_max low w/o offs
p2016[0...3]	Cl: Comm IF USS PZD send word / Comm USS send word
p2045	Cl: PB/PN clock synchronous controller sign-of-life signal source / PB/PN ctrSoL S_src
p2051[0...13]	Cl: PROFIdrive PZD send word / PZD send word
p2061[0...12]	Cl: PROFIBUS PZD send double word / PZD send DW
p2099[0...1]	Cl: Connector-binector converter signal source / Con/bin S_src
p2151[0...n]	Cl: Speed setpoint for messages/signals / n_set for msg
p2253[0...n]	Cl: Technology controller setpoint 1 / Tec_ctrl setp 1
p2254[0...n]	Cl: Technology controller setpoint 2 / Tec_ctrl setp 2
p2264[0...n]	Cl: Technology controller actual value / Tec_ctrl act val
p2289[0...n]	Cl: Technology controller pre-control signal / Tec_ctr prectr_sig
p2296[0...n]	Cl: Technology controller output scaling / Tec_ctrl outp scal
p2297[0...n]	Cl: Technology controller maximum limit signal source / Tec_ctrMaxLimS_src
p2298[0...n]	Cl: Technology controller minimum limit signal source / Tec_ctrl min_l s_s
p2299[0...n]	Cl: Technology controller limit offset / Tech_ctrl lim offs
p2513[0...3]	Cl: LR Position actual value preprocessing corrective value / Act val_prep corr
p2515[0...3]	Cl: LR position actual setting setting value / s_act set setVal
p2516[0...3]	Cl: LR position offset / Position offset
p2530	Cl: LR position setpoint / s_set
p2531	Cl: LR velocity setpoint / v_set
p2532	Cl: LR position actual value / s_act
p2537	Cl: LR position controller adaptation / Adaptation
p2541	Cl: LR position controller output speed limit signal source / LR_out n_lim S_src
p2555	Cl: LR LU/revolution LU/mm / LU/rev LU/mm
p2578	Cl: EPOS software limit switch minus signal source / SW limSw Min S_src
p2579	Cl: EPOS software limit switch plus signal source / SW limSwPlus S_src
p2593	Cl: EPOS LU/revolution LU/mm / LU/rev LU/mm
p2594[0...2]	Cl: EPOS Maximum velocity externally limited / v_Max ext lim
p2598[0...3]	Cl: EPOS reference point coordinate signal source / Ref_pt coord S_src
p2642	Cl: EPOS direct setpoint input/MDI position setpoint / MDI s_set
p2643	Cl: EPOS direct setpoint input/MDI velocity setpoint / MDI v_set

p2644	CI: EPOS direct setpoint input/MDI acceleration override / MDI a_over
p2645	CI: EPOS direct setpoint input/MDI deceleration override / MDI -a_over
p2646	CI: EPOS velocity override / v_over
p2654	CI: EPOS direct setpoint input/MDI mode adaptation / MDI mode adapt
p2657	CI: EPOS position actual value/position setting value / Pos act/set value
p2660	CI: EPOS measured value referencing / Meas val ref
p3230[0...n]	CI: Load monitoring speed actual value / Load monit n_act
p8746[0...15]	CI: CAN free PZD send objects 16 bit / Free PZD send 16
p8748[0...7]	CI: CAN free PZD send objects 32 bit / Free PZD send 32
p20094[0...3]	CI: ADD 0 inputs / ADD 0 inputs
p20098[0...3]	CI: ADD 1 inputs / ADD 1 inputs
p20102[0...1]	CI: SUB 0 inputs / SUB 0 inputs
p20106[0...1]	CI: SUB 1 inputs / SUB 1 inputs
p20110[0...3]	CI: MUL 0 inputs / MUL 0 inputs
p20114[0...3]	CI: MUL 1 inputs / MUL 1 inputs
p20118[0...1]	CI: DIV 0 inputs / DIV 0 inputs
p20123[0...1]	CI: DIV 1 inputs / DIV 1 inputs
p20128	CI: AVA 0 input X / AVA 0 input X
p20133	CI: AVA 1 input X / AVA 1 input X
p20218[0...1]	CI: NSW 0 inputs / NSW 0 inputs
p20223[0...1]	CI: NSW 1 inputs / NSW 1 inputs
p20228	CI: LIM 0 input X / LIM 0 input X
p20236	CI: LIM 1 input X / LIM 1 input X
p20244[0...1]	CI: PT1 0 inputs / PT1 0 inputs
p20250[0...1]	CI: PT1 1 inputs / PT1 1 inputs
p20256[0...1]	CI: INT 0 inputs / INT 0 inputs
p20266	CI: LVM 0 input X / LVM 0 input X
p20275	CI: LVM 1 input X / LVM 1 input X
p20284	CI: DIF 0 input X / DIF 0 input X
p20308[0...3]	CI: ADD 2 inputs / ADD 2 inputs
p20312[0...1]	CI: NCM 0 inputs / NCM 0 inputs
p20318[0...1]	CI: NCM 1 inputs / NCM 1 inputs
p20372	CI: PLI 0 input X / PLI 0 input X
p20378	CI: PLI 1 input X / PLI 1 input X

2.4.3 Binector outputs (BO)

Product: SINAMICS G120S, Version: 4702900, Language: eng, Type: BO

r0751.0...9	BO: CU analog inputs status word / CU AI status word
r0785.0...1	BO: CU analog outputs status word / CU AO ZSW
r0807.0	BO: Master control active / PcCtrl active
r1025.0	BO: Fixed speed setpoint status / n_setp_fix status
r1979.0...12	BO: Speed_ctrl_opt status / n_opt status
r2043.0...2	BO: PROFIdrive PZD state / PD PZD state
r2090.0...15	BO: PROFIdrive PZD1 receive bit-serial / PZD1 recv bitw
r2091.0...15	BO: PROFIdrive PZD2 receive bit-serial / PZD2 recv bitw
r2092.0...15	BO: PROFIdrive PZD3 receive bit-serial / PZD3 recv bitw
r2093.0...15	BO: PROFIdrive PZD4 receive bit-serial / PZD4 recv bitw
r2094.0...15	BO: Connector-binector converter binector output / Con/bin outp
r2095.0...15	BO: Connector-binector converter binector output / Con/bin outp
r9935.0	BO: POWER ON delay signal / POWER ON t_delay
r20031	BO: AND 0 output Q / AND 0 output Q
r20035	BO: AND 1 output Q / AND 1 output Q
r20039	BO: AND 2 output Q / AND 2 output Q

2 Parameters

2.4 BICO parameters (connectors/binectors)

r20043	BO: AND 3 output Q / AND 3 output Q
r20047	BO: OR 0 output Q / OR 0 output Q
r20051	BO: OR 1 output Q / OR 1 output Q
r20055	BO: OR 2 output Q / OR 2 output Q
r20059	BO: OR 3 output Q / OR 3 output Q
r20063	BO: XOR 0 output Q / XOR 0 output Q
r20067	BO: XOR 1 output Q / XOR 1 output Q
r20071	BO: XOR 2 output Q / XOR 2 output Q
r20075	BO: XOR 3 output Q / XOR 3 output Q
r20079	BO: NOT 0 inverted output / NOT 0 inv output
r20083	BO: NOT 1 inverted output / NOT 1 inv output
r20087	BO: NOT 2 inverted output / NOT 2 inv output
r20091	BO: NOT 3 inverted output / NOT 3 inv output
r20120	BO: DIV 0 divisor is zero QF / DIV 0 divisor=0 QF
r20125	BO: DIV 1 divisor is zero QF / DIV 1 divisor=0 QF
r20130	BO: AVA 0 input negative SN / AVA 0 input neg SN
r20135	BO: AVA 1 input negative SN / AVA 1 input neg SN
r20140	BO: MFP 0 output Q / MFP 0 output Q
r20145	BO: MFP 1 output Q / MFP 1 output Q
r20150	BO: PCL 0 output Q / PCL 0 output Q
r20155	BO: PCL 1 output Q / PCL 1 output Q
r20160	BO: PDE 0 output Q / PDE 0 output Q
r20165	BO: PDE 1 output Q / PDE 1 output Q
r20170	BO: PDF 0 output Q / PDF 0 output Q
r20175	BO: PDF 1 output Q / PDF 1 output Q
r20180	BO: PST 0 output Q / PST 0 output Q
r20185	BO: PST 1 output Q / PST 1 output Q
r20189	BO: RSR 0 output Q / RSR 0 output Q
r20190	BO: RSR 0 inverted output QN / RSR 0 inv outp QN
r20194	BO: RSR 1 output Q / RSR 1 output Q
r20195	BO: RSR 1 inverted output QN / RSR 1 inv outp QN
r20199	BO: DFR 0 output Q / DFR 0 output Q
r20200	BO: DFR 0 inverted output QN / DFR 0 inv outp QN
r20204	BO: DFR 1 output Q / DFR 1 output Q
r20205	BO: DFR 1 inverted output QN / DFR 1 inv outp QN
r20210	BO: BSW 0 output Q / BSW 0 output Q
r20215	BO: BSW 1 output Q / BSW 1 output Q
r20232	BO: LIM 0 input quantity at the upper limit QU / LIM 0 QU
r20233	BO: LIM 0 input quantity at the lower limit QL / LIM 0 QL
r20240	BO: LIM 1 input quantity at the upper limit QU / LIM 1 QU
r20241	BO: LIM 1 input quantity at the lower limit QL / LIM 1 QL
r20262	BO: INT 0 integrator at the upper limit QU / INT 0 QU
r20263	BO: INT 0 integrator at the lower limit QL / INT 0 QL
r20270	BO: LVM 0 input quantity above interval QU / LVM 0 X above QU
r20271	BO: LVM 0 input quantity within interval QM / LVM 0 X within QM
r20272	BO: LVM 0 input quantity below interval QL / LVM 0 X below QL
r20279	BO: LVM 1 input quantity above interval QU / LVM 1 X above QU
r20280	BO: LVM 1 input quantity within interval QM / LVM 1 X within QM
r20281	BO: LVM 1 input quantity below interval QL / LVM 1 X below QL
r20301	BO: NOT 4 inverted output / NOT 4 inv output
r20305	BO: NOT 5 inverted output / NOT 5 inv output
r20313	BO: NCM 0 output QU / NCM 0 output QU
r20314	BO: NCM 0 output QE / NCM 0 output QE
r20315	BO: NCM 0 output QL / NCM 0 output QL
r20319	BO: NCM 1 output QU / NCM 1 output QU

r20320	BO: NCM 1 output QE / NCM 1 output QE
r20321	BO: NCM 1 output QL / NCM 1 output QL
r20325	BO: RSR 2 output Q / RSR 2 output Q
r20326	BO: RSR 2 inverted output QN / RSR 2 inv outp QN
r20330	BO: DFR 2 output Q / DFR 2 output Q
r20331	BO: DFR 2 inverted output QN / DFR 2 inv outp QN
r20336	BO: PDE 2 output Q / PDE 2 output Q
r20341	BO: PDE 3 output Q / PDE 3 output Q
r20346	BO: PDF 2 output Q / PDF 2 output Q
r20351	BO: PDF 3 output Q / PDF 3 output Q
r20356	BO: MFP 2 output Q / MFP 2 output Q
r20361	BO: MFP 3 output Q / MFP 3 output Q

2.4.4 Connector outputs (CO)

Product: SINAMICS G120S, Version: 4702900, Language: eng, Type: CO

r0021	CO: Actual speed smoothed / n_act smooth
r0025	CO: Output voltage smoothed / U_outp smooth
r0026	CO: DC link voltage smoothed / Vdc smooth
r0027	CO: Absolute actual current smoothed / I_act abs val smth
r0032	CO: Active power actual value smoothed / P_actv_act smth
r0034	CO: Motor utilization thermal / Mot_util therm
r0035	CO: Motor temperature / Mot temp
r0036	CO: Power unit overload I2t / PU overload I2t
r0037[0...19]	CO: Power unit temperatures / PU temperatures
r0060	CO: Speed setpoint before the setpoint filter / n_set before filt.
r0061[0...2]	CO: Actual speed unsmoothed / n_act unsmoothed
r0062	CO: Speed setpoint after the filter / n_set after filter
r0063[0...2]	CO: Speed actual value / n_act
r0064	CO: Speed controller system deviation / n_ctrl system dev
r0066	CO: Output frequency / f_outp
r0067	CO: Output current maximum / I_outp max
r0068[0...1]	CO: Absolute current actual value / I_act abs val
r0069[0...6]	CO: Phase current actual value / I_phase act value
r0070	CO: Actual DC link voltage / Vdc act val
r0072	CO: Output voltage / U_output
r0074	CO: Modulat_depth / Modulat_depth
r0075	CO: Current setpoint field-generating / Id_set
r0076	CO: Current actual value field-generating / Id_act
r0077	CO: Current setpoint torque-generating / Iq_set
r0078	CO: Current actual value torque-generating / Iq_act
r0079	CO: Torque setpoint / M_set
r0080[0...1]	CO: Torque actual value / M_act
r0081	CO: Torque utilization / M_Utilization
r0082[0...2]	CO: Active power actual value / P_act
r0083	CO: Flux setpoint / Flex setp
r0084[0...1]	CO: Flux actual value / Flux act val
r0087	CO: Actual power factor / Cos phi act
r0094	CO: Transformation angle / Transformat_angle
r0289	CO: Maximum power unit output current / PU I_outp max
r0477[0...2]	CO: Measuring gear position difference / Meas gear pos diff
r0479[0...2]	CO: Diagnostics encoder position actual value Gn_XIST1 / Diag Gn_XIST1
r0481[0...2]	CO: Encoder status word Gn_ZSW / Enc Gn_ZSW
r0482[0...2]	CO: Encoder actual position value Gn_XIST1 / Enc Gn_XIST1

2 Parameters

2.4 BICO parameters (connectors/binectors)

r0483[0...2]	CO: Encoder actual position value Gn_XIST2 / Enc Gn_XIST2
r0485[0...2]	CO: Measuring gear encoder raw value incremental / Enc raw val incr
r0486[0...2]	CO: Measuring gear encoder raw value absolute / Enc raw val abs
r0497[0...2]	CO: Encoder diagnostic signal double word / Enc diag DW
r0498[0...2]	CO: Encoder diagnostic signal low word / Enc diag low word
r0499[0...2]	CO: Encoder diagnostic signal high word / Enc diag high word
r0586	CO: Measuring probe speed actual value / MT n_act
r0587	CO: Measuring probe measuring time measured / MT t_meas measured
r0588	CO: Measuring probe pulse counter / MT pulse counter
r0752[0...1]	CO: CU analog inputs input voltage/current actual / CU AI U/I_inp act
r0755[0...1]	CO: CU analog inputs actual value in percent / CU AI value in %
r0944	CO: Counter for fault buffer changes / Fault buff change
p1001[0...n]	CO: Fixed speed setpoint 1 / n_set_fixed 1
p1002[0...n]	CO: Fixed speed setpoint 2 / n_set_fixed 2
p1003[0...n]	CO: Fixed speed setpoint 3 / n_set_fixed 3
p1004[0...n]	CO: Fixed speed setpoint 4 / n_set_fixed 4
p1005[0...n]	CO: Fixed speed setpoint 5 / n_set_fixed 5
p1006[0...n]	CO: Fixed speed setpoint 6 / n_set_fixed 6
p1007[0...n]	CO: Fixed speed setpoint 7 / n_set_fixed 7
p1008[0...n]	CO: Fixed speed setpoint 8 / n_set_fixed 8
p1009[0...n]	CO: Fixed speed setpoint 9 / n_set_fixed 9
p1010[0...n]	CO: Fixed speed setpoint 10 / n_set_fixed 10
p1011[0...n]	CO: Fixed speed setpoint 11 / n_set_fixed 11
p1012[0...n]	CO: Fixed speed setpoint 12 / n_set_fixed 12
p1013[0...n]	CO: Fixed speed setpoint 13 / n_set_fixed 13
p1014[0...n]	CO: Fixed speed setpoint 14 / n_set_fixed 14
p1015[0...n]	CO: Fixed speed setpoint 15 / n_set_fixed 15
r1024	CO: Fixed speed setpoint effective / n_set_fixed eff
r1045	CO: Mot. potentiometer speed setp. in front of ramp-fct. gen. / Mop n_set bef RFG
r1050	CO: Motor. potentiometer setpoint after the ramp-function generator / Mop setp after RFG
r1073	CO: Main setpoint effective / Main setpoint eff
r1077	CO: Supplementary setpoint effective / Suppl setpoint eff
r1078	CO: Total setpoint effective / Total setpoint eff
p1083[0...n]	CO: Speed limit in positive direction of rotation / n_limit pos
r1084	CO: Speed limit positive effective / n_limit pos eff
p1086[0...n]	CO: Speed limit in negative direction of rotation / n_limit neg
r1087	CO: Speed limit negative effective / n_limit neg eff
r1112	CO: Speed setpoint after minimum limiting / n_set aft min_lim
r1114	CO: Setpoint after the direction limiting / Setp after limit
r1119	CO: Ramp-function generator setpoint at the input / RFG setp at inp
r1149	CO: Ramp-function generator acceleration / RFG acceleration
r1150	CO: Ramp-function generator speed setpoint at the output / RFG n_set at outp
r1169	CO: Speed controller speed setpoints 1 and 2 / n_ctrl n_set 1/2
r1170	CO: Speed controller setpoint sum / n_ctrl setp sum
r1258	CO: Vdc controller output / Vdc_ctrl output
r1298	CO: Vdc controller output (U/f) / Vdc_ctrl output
r1337	CO: Actual slip compensation / Slip comp act val
r1343	CO: I_max controller frequency output / I_max_ctrl f_outp
r1348	CO: U/f control Eco factor actual value / U/f Eco fac act v
p1351[0...n]	CO: Motor holding brake starting frequency / Brake f_start
r1438	CO: Speed controller speed setpoint / n_ctrl n_set
r1445	CO: Actual speed smoothed / n_act smooth
r1454	CO: Speed controller system deviation I component / n_ctrl sys dev Tn
r1468	CO: Speed controller P-gain effective / n_ctr Kp eff
r1482	CO: Speed controller I torque output / n_ctrl I-M_outp

r1490	CO: Droop feedback speed reduction / Droop n_reduction
r1493	CO: Moment of inertia total, scaled / M_mom inert tot_sc
r1508	CO: Torque setpoint before supplementary torque / M_set bef. M_suppl
r1516	CO: Supplementary torque and acceleration torque / M_suppl + M_accel
r1518[0...1]	CO: Accelerating torque / M_accel
p1520[0...n]	CO: Torque limit upper / M_max upper
p1521[0...n]	CO: Torque limit lower / M_max lower
p1524[0...n]	CO: Torque limit upper scaling / M_max upper scal
p1525[0...n]	CO: Torque limit lower scaling / M_max lower scal
r1526	CO: Torque limit upper without offset / M_max up w/o offs
r1527	CO: Torque limit lower without offset / M_max low w/o offs
r1538	CO: Upper effective torque limit / M_max upper eff
r1539	CO: Lower effective torque limit / M_max lower eff
r1547[0...1]	CO: Torque limit for speed controller output / M_max outp n_ctrl
r1548[0...1]	CO: Stall current limit torque-generating maximum / Isq_max stall
p1563[0...n]	CO: Mom. of inertia estimator load torque direction of rotation pos. / J_est M pos
p1564[0...n]	CO: Mom. of inertia estimator load torque direction of rotation neg. / J_est M neg
p1570[0...n]	CO: Flux setpoint / Flex setp
r1593[0...1]	CO: Field weakening controller / flux controller output / Field/Fl_ctrl outp
r1597	CO: Field weakening controller output / Field_ctrl outp
r1598	CO: Total flux setpoint / Flux setp total
r1718	CO: Isq controller output / Isq_ctrl outp
r1723	CO: Isd controller output / Isd_ctrl outp
r1732[0...1]	CO: Direct-axis voltage setpoint / Direct U set
r1733[0...1]	CO: Quadrature-axis voltage setpoint / Quad U set
r1770	CO: Motor model speed adaptation proportional component / MotMod n_adapt Kp
r1771	CO: Motor model speed adaptation I comp. / MotMod n_adapt Tn
r1801[0...1]	CO: Pulse frequency / Pulse frequency
r1809	CO: Modulator mode actual / Modulator mode act
r2050[0...11]	CO: PROFIBUS PZD receive word / PZD recv word
r2060[0...10]	CO: PROFIdrive PZD receive double word / PZD recv DW
r2089[0...4]	CO: Send binector-connector converter status word / Bin/con ZSW send
r2120	CO: Sum of fault and alarm buffer changes / Sum buffer changed
r2121	CO: Counter alarm buffer changes / Alrm buff changed
r2131	CO: Actual fault code / Act fault code
r2132	CO: Actual alarm code / Actual alarm code
r2169	CO: Actual speed smoothed signals / n_act smth message
p2201[0...n]	CO: Technology controller fixed value 1 / Tec_ctrl fix val1
p2202[0...n]	CO: Technology controller fixed value 2 / Tec_ctr fix val 2
p2203[0...n]	CO: Technology controller fixed value 3 / Tec_ctr fix val 3
p2204[0...n]	CO: Technology controller fixed value 4 / Tec_ctr fix val 4
p2205[0...n]	CO: Technology controller fixed value 5 / Tec_ctr fix val 5
p2206[0...n]	CO: Technology controller fixed value 6 / Tec_ctr fix val 6
p2207[0...n]	CO: Technology controller fixed value 7 / Tec_ctr fix val 7
p2208[0...n]	CO: Technology controller fixed value 8 / Tec_ctr fix val 8
p2209[0...n]	CO: Technology controller fixed value 9 / Tec_ctr fix val 9
p2210[0...n]	CO: Technology controller fixed value 10 / Tec_ctr fix val 10
p2211[0...n]	CO: Technology controller fixed value 11 / Tec_ctr fix val 11
p2212[0...n]	CO: Technology controller fixed value 12 / Tec_ctr fix val 12
p2213[0...n]	CO: Technology controller fixed value 13 / Tec_ctr fix val 13
p2214[0...n]	CO: Technology controller fixed value 14 / Tec_ctr fix val 14
p2215[0...n]	CO: Technology controller fixed value 15 / Tec_ctr fix val 15
r2224	CO: Technology controller fixed value effective / Tec_ctr FixVal eff
r2245	CO: Technology controller mot. potentiometer setpoint before RFG / Tec_ctr mop befRFG
r2250	CO: Technology controller motorized potentiometer setpoint after RFG / Tec_ctr mop aftRFG

2 Parameters

2.4 BICO parameters (connectors/binectors)

r2260	CO: Technology controller setpoint after ramp-function generator / Tec_ctr set aftRFG
r2262	CO: Technology controller setpoint after filter / Tec_ctr set aftFlt
r2266	CO: Technology controller actual value after filter / Tec_ctr act aftFlt
r2272	CO: Technology controller actual value scaled / Tech_ctrl act scal
r2273	CO: Technology controller error / Tec_ctrl error
p2291	CO: Technology controller maximum limiting / Tec_ctrl max_lim
p2292	CO: Technology controller minimum limiting / Tec_ctrl min_lim
r2294	CO: Technology controller output signal / Tec_ctrl outp_sig
p2295	CO: Technology controller output scaling / Tec_ctrl outp scal
r2344	CO: Technology controller last speed setpoint (smoothed) / Tec_ctrl n_setp_sm
r2520[0...2]	CO: LR Position actual value preprocessing encoder control word / ActVal_prep STW
r2521[0...3]	CO: LR position actual value / s_act
r2522[0...3]	CO: LR velocity actual value / v_act
r2523[0...3]	CO: LR measured value / Measured value
r2524	CO: LR LU/revolution / LU/revolution
p2525[0...n]	CO: LR encoder adjustment offset / Enc_adj offset
p2540	CO: LR position controller output speed limit / LR_outp n_lim
r2556	CO: LR position setpoint after setpoint smoothing / s_set after interp
r2557	CO: LR position controller input system deviation / LR_inp sys dev
r2558	CO: LR position controller output P component / LR_outp P comp
r2559	CO: LR position controller output I component / LR_outp I comp
r2560	CO: LR speed setpoint / n_set
r2561	CO: LR speed pre-control value / n_prectrl val
r2562	CO: LR total speed setpoint / n_set total
r2563	CO: LR following error dynamic model / Follow error dyn
r2564	CO: LR torque pre-control value / M_prectrl val
r2565	CO: LR following error actual / Following err act
p2580	CO: EPOS software limit switch minus / SW limSwitch minus
p2581	CO: EPOS software limit switch plus / SW lim switch plus
p2599	CO: EPOS reference point coordinate value / Ref_pt coord val
r2665	CO: EPOS position setpoint / s_set
r2666	CO: EPOS velocity setpoint / v_set
r2667	CO: EPOS backlash compensation value / Backlash value
r2669	CO: EPOS actual operating mode / Op mode act
r2671	CO: EPOS actual position setpoint / s_set act
r2672	CO: EPOS actual velocity setpoint / v_set act
r2673	CO: EPOS actual acceleration override / a_over act
r2674	CO: EPOS actual deceleration override / -a_over act
r2675	CO: EPOS actual task / Task act
r2676	CO: EPOS actual task parameter / Task para act
r2677	CO: EPOS actual task mode / Task mode act
r2678	CO: EPOS external block change actual position / Ext BlckChg s_act
r2680	CO: EPOS clearance reference cam and zero mark / Clearance cam/ZM
r2681	CO: EPOS velocity override effective / v_over effective
r2682	CO: EPOS residual distance to go / Residual distance
r2685	CO: EPOS corrective value / Corrective value
r2686[0...1]	CO: EPOS torque limiting effective / M_limit eff
r2687	CO: EPOS torque setpoint / M_set
p2690	CO: EPOS position fixed setpoint / Pos fixed value
p2691	CO: EPOS velocity fixed setpoint / v fixed value
p2692	CO: EPOS acceleration override, fixed setpoint / a_over fixed val
p2693	CO: EPOS deceleration override, fixed setpoint / -a_over fixed val
r2723[0...n]	CO: Load gear absolute value / Load gear abs_val
r2724[0...n]	CO: Load gear position difference / Load gear pos diff
p2733[0...n]	CO: LR encoder adjustment DDS / Enc_adjust DDS

p2900[0...n]	CO: Fixed value 1 [%] / Fixed value 1 [%]
p2901[0...n]	CO: Fixed value 2 [%] / Fixed value 2 [%]
r2902[0...14]	CO: Fixed values [%] / Fixed values [%]
p2930[0...n]	CO: Fixed value M [Nm] / Fixed value M [Nm]
r3131	CO: Actual fault value / Act fault val
r3132	CO: Actual component number / Comp_no act
r4653[0...2]	CO: XIST1_ERW actual value / XIST1_ERW actual
p4688[0...2]	CO: Zero mark monitoring differential pulse count / ZM diff_pulse qty
r4689[0...2]	CO: Squarewave encoder diagnostics / Sq-wave enc diag
r8745[0...15]	CO: CAN free PZD receive objects 16 bit / Free PZD recv 16
r8747[0...7]	CO: CAN free PZD receive objects 32 bit / Free PZD recv 32
r8762	CO: CAN operating mode display / Op mode display
r8784	CO: CAN status word / Status word
r8792[0]	CO: CAN velocity mode I16 setpoint / Vel mod I16 set
r8796[0]	CO: CAN profile velocity mode I32 setpoints / Pr vel mo I32 set
r8797[0]	CO: CAN profile torque mode I16 setpoints / Pr Tq mod I16 set
r9712	CO: SI Motion diagnostics pos. act. val. motor side (processor 1) / SI Mtn s_act motP1
r9713[0...5]	CO: SI Motion diagnostics position actual value load side / SI Mtn s_act load
r9714[0...2]	CO: SI Motion diagnostics velocity (processor 1) / SI Mtn diag v P1
r9733[0...2]	CO: SI Motion setpoint speed limit effective / SI Mtn setp_lim
r20095	CO: ADD 0 output Y / ADD 0 output Y
r20099	CO: ADD 1 output Y / ADD 1 output Y
r20103	CO: SUB 0 difference Y / SUB 0 difference Y
r20107	CO: SUB 1 difference Y / SUB 1 difference Y
r20111	CO: MUL 0 product Y / MUL 0 product Y
r20115	CO: MUL 1 product Y / MUL 1 product Y
r20119[0...2]	CO: DIV 0 quotient / DIV 0 quotient
r20124[0...2]	CO: DIV 1 quotient / DIV 1 quotient
r20129	CO: AVA 0 output Y / AVA 0 output Y
r20134	CO: AVA 1 output Y / AVA 1 output Y
r20220	CO: NSW 0 output Y / NSW 0 output Y
r20225	CO: NSW 1 output Y / NSW 1 output Y
r20231	CO: LIM 0 output Y / LIM 0 output Y
r20239	CO: LIM 1 output Y / LIM 1 output Y
r20247	CO: PT1 0 output Y / PT1 0 output Y
r20253	CO: PT1 1 output Y / PT1 1 output Y
r20261	CO: INT 0 output Y / INT 0 output Y
r20286	CO: DIF 0 output Y / DIF 0 output Y
r20309	CO: ADD 2 output Y / ADD 2 output Y
r20373	CO: PLI 0 output Y / PLI 0 output Y
r20379	CO: PLI 1 output Y / PLI 1 output Y

2.4.5 Connector/binector outputs (CO/BO)

Product: SINAMICS G120S, Version: 4702900, Language: eng, Type: CO/BO

r0046.0...31	CO/BO: Missing enable sig / Missing enable sig
r0050.0...1	CO/BO: Command Data Set CDS effective / CDS effective
r0051.0...1	CO/BO: Drive Data Set DDS effective / DDS effective
r0052.0...15	CO/BO: Status word 1 / ZSW 1
r0053.0...11	CO/BO: Status word 2 / ZSW 2
r0054.0...15	CO/BO: Control word 1 / STW 1
r0055.0...15	CO/BO: Supplementary control word / Suppl STW
r0056.0...15	CO/BO: Status word, closed-loop control / ZSW cl-loop ctrl
r0056.0...13	CO/BO: Status word, closed-loop control / ZSW cl-loop ctrl

2 Parameters

2.4 BICO parameters (connectors/binectors)

r0722.0...27	CO/BO: CU digital inputs status / CU DI status
r0723.0...27	CO/BO: CU digital inputs status inverted / CU DI status inv
r0835.2...8	CO/BO: Data set changeover status word / DDS_ZSW
r0836.0...1	CO/BO: Command Data Set CDS selected / CDS selected
r0837.0...1	CO/BO: Drive Data Set DDS selected / DDS selected
r0863.1	CO/BO: Drive coupling status word/control word / CoupleZSW/STW
r0898.0...14	CO/BO: Control word sequence control / STW seq_ctrl
r0899.0...15	CO/BO: Status word sequence control / ZSW seq_ctrl
r1099.0	CO/BO: Skip band status word / Skip band ZSW
r1198.0...15	CO/BO: Control word setpoint channel / STW setpoint chan
r1199.0...8	CO/BO: Ramp-function generator status word / RFG ZSW
r1204.0...13	CO/BO: Flying restart U/f control status / FlyRest Uf st
r1205.0...15	CO/BO: Flying restart vector control status / FlyRest vector st
r1214.0...15	CO/BO: Automatic restart status / AR status
r1239.8...13	CO/BO: DC braking status word / DCBRK ZSW
r1406.4...15	CO/BO: Control word speed controller / STW n_ctrl
r1407.0...26	CO/BO: Status word speed controller / ZSW n_ctrl
r1408.0...14	CO/BO: Status word current controller / ZSW I_ctrl
r1838.0...15	CO/BO: Gating unit status word 1 / Gating unit ZSW1
r2129.0...15	CO/BO: Faults/alarms trigger signal / F/A trigger signal
r2135.12...15	CO/BO: Status word faults/alarms 2 / ZSW fault/alarm 2
r2138.7...15	CO/BO: Control word faults/alarms / STW fault/alarm
r2139.0...15	CO/BO: Status word faults/alarms 1 / ZSW fault/alarm 1
r2197.0...13	CO/BO: Status word monitoring 1 / ZSW monitor 1
r2198.0...13	CO/BO: Status word monitoring 2 / ZSW monitor 2
r2199.0...11	CO/BO: Status word monitoring 3 / ZSW monitor 3
r2225.0	CO/BO: Technology controller fixed value selection status word / Tec_ctr FixVal ZSW
r2349.0...12	CO/BO: Technology controller status word / Tec_ctrl status
r2526.0...9	CO/BO: LR status word / ZSW
r2527.0...2	CO/BO: LR actual value sensing status word encoder 1 / ActValSensZSW enc1
r2528.0...2	CO/BO: LR actual value sensing status word encoder 2 / ActValSensZSW enc2
r2670.0...15	CO/BO: EPOS status word active traversing block / ZSW act trav_block
r2683.0...14	CO/BO: EPOS status word 1 / POS_ZSW1
r2684.0...15	CO/BO: EPOS status word 2 / POS_ZSW2
r3113.0...15	CO/BO: NAMUR message bit bar / NAMUR bit bar
r3333.0...3	CO/BO: 2/3 wire control control word / 2/3 wire STW
r3859.0	CO/BO: Compound braking/DC quantity control status word / Comp-br/DC_ctr ZSW
r4654.0...8	CO/BO: XIST1_ERW status / XIST1_ERW stat
r5613.0...1	CO/BO: Pe energy-saving active/inactive / Pe save act/inact
r8795.0...15	CO/BO: CAN control word / Control word
r9720.0...13	CO/BO: SI Motion control signals integrated in the drive / SI Mtn integ STW
r9722.0...15	CO/BO: SI Motion drive-integrated status signals (processor 1) / SI Mtn int stat P1
r9723.0...16	CO/BO: SI Motion diagnostic signals integrated in the drive / SI Mtn integ diag
r9734.0...14	CO/BO: SI Safety Info Channel status word S_ZSW1B / SIC S_ZSW1B
r9742.0...15	CO/BO: SI Motion drive-integrated status signals (processor 2) / SI Mtn int stat P2
r9772.0...23	CO/BO: SI status (processor 1) / SI status P1
r9772.0...22	CO/BO: SI status (processor 1) / SI status P1
r9773.0...31	CO/BO: SI status (processor 1 + processor 2) / SI status P1+P2
r9872.0...23	CO/BO: SI status (processor 2) / SI Status P2
r9872.0...22	CO/BO: SI status (processor 2) / SI Status P2
r10051.0...2	CO/BO: SI Motion digital inputs status (processor 1) / SI DI status P1
r10052.0	CO/BO: SI Motion digital outputs status (processor 1) / SI DO status P1
r10151.0...2	CO/BO: SI Motion digital inputs status (processor 2) / SI DI status P2
r10152.0	CO/BO: SI Motion digital outputs status (processor 2) / SI DO status P2

2.5 Parameters for write protection and know-how protection

2.5.1 Parameters with "WRITE_NO_LOCK"

The following list contains the parameters with the "WRITE_NO_LOCK" attribute.

These parameters are not affected by the write protection.

Product: SINAMICS G120S, Version: 4702900, Language: eng, Type: WRITE_NO_LOCK

p0003	Access level / Acc_level
p0010	Drive commissioning parameter filter / Drv comm. par_filt
p0124[0...n]	CU detection via LED / CU detection LED
p0970	Reset drive parameters / Drive par reset
p0971	Save parameters / Save par
p0972	Drive unit reset / Drv_unit reset
p2111	Alarm counter / Alarm counter
p3950	Service parameter / Serv par
p3981	Faults acknowledge drive object / Faults ackn DO
p3985	Master control mode selection / PcCtrl mode select
p7761	Write protection / Write protection
p8805	Identification and maintenance 4 configuration / I&M 4 config
p8806[0...53]	Identification and Maintenance 1 / I&M 1
p8807[0...15]	Identification and Maintenance 2 / I&M 2
p8808[0...53]	Identification and Maintenance 3 / I&M 3
p8809[0...53]	Identification and Maintenance 4 / I&M 4
p9210	Flashing component number / Flash comp_no
p9211	Flash function / Flash fct.
p9400	Safely remove memory card / Mem_card rem
p9484	BICO interconnections search signal source / BICO S_src srch

2.5.2 Parameters with "KHP_WRITE_NO_LOCK"

The following list contains the parameters with the "KHP_WRITE_NO_LOCK" attribute.

These parameters are not affected by the know-how protection.

Product: SINAMICS G120S, Version: 4702900, Language: eng, Type: KHP_WRITE_NO_LOCK

p0003	Access level / Acc_level
p0010	Drive commissioning parameter filter / Drv comm. par_filt
p0124[0...n]	CU detection via LED / CU detection LED
p0970	Reset drive parameters / Drive par reset
p0971	Save parameters / Save par
p0972	Drive unit reset / Drv_unit reset
p2040	Fieldbus interface monitoring time / Fieldbus t_monit
p2111	Alarm counter / Alarm counter
p3950	Service parameter / Serv par
p3981	Faults acknowledge drive object / Faults ackn DO
p3985	Master control mode selection / PcCtrl mode select
p7761	Write protection / Write protection
p8805	Identification and maintenance 4 configuration / I&M 4 config
p8806[0...53]	Identification and Maintenance 1 / I&M 1
p8807[0...15]	Identification and Maintenance 2 / I&M 2
p8808[0...53]	Identification and Maintenance 3 / I&M 3
p8809[0...53]	Identification and Maintenance 4 / I&M 4

p8980	Ethernet/IPprofile / Eth/IP profile
p8981	Ethernet/IP ODVA STOP mode / Eth/IP ODVA STOP
p8982	Ethernet/IP ODVA speed scaling / Eth/IP ODVA n scal
p8983	Ethernet/IP ODVA torque scaling / Eth/IP ODVA M scal
p9210	Flashing component number / Flash comp_no
p9211	Flash function / Flash fct.
p9400	Safely remove memory card / Mem_card rem
p9484	BICO interconnections search signal source / BICO S_src srch

2.5.3 Parameters with "KHP_ACTIVE_READ"

The following list contains the parameters with the "KHP_ACTIVE_READ" attribute.

These parameters can also be read with activated know-how protection.

Product: SINAMICS G120S, Version: 4702900, Language: eng, Type: KHP_ACTIVE_READ

p0015	Macro drive unit / Macro drv unit
p0100	IEC/NEMA mot stds / IEC/NEMA mot stds
p0108[0...n]	Function module 1 / Fct_module 1
p0140	Number of Encoder Data Sets (EDS) / EDS count
p0142[0...n]	Encoder component number / Encoder comp_no
p0170	Number of Command Data Sets (CDS) / CDS count
p0180	Number of Drive Data Sets (DDS) / DDS count
p0300[0...n]	Motor type selection / Mot type sel
p0304[0...n]	Rated motor voltage / Mot U_rated
p0305[0...n]	Rated motor current / Mot I_rated
p0400[0...n]	Encoder type selection / Enc_typ sel
p0505	Selecting the system of units / Unit sys select
p0595	Technological unit selection / Tech unit select
p0730	BI: CU signal source for terminal DO 0 / CU S_src DO 0
p0731	BI: CU signal source for terminal DO 1 / CU S_src DO 1
p0732	BI: CU signal source for terminal DO 2 / CU S_src DO 2
p0806	BI: Inhibit master control / PcCtrl inhibit
p0922	PROFIdrive PZD telegram selection / PZD telegr_sel
p1080[0...n]	Minimum speed / n_min
p1082[0...n]	Maximum speed / n_max
p1520[0...n]	CO: Torque limit upper / M_max upper
p2000	Reference speed reference frequency / n_ref f_ref
p2001	Reference voltage / Reference voltage
p2002	Reference current / I_ref
p2003	Reference torque / M_ref
p2005	Reference angle / Reference angle
p2006	Reference temp / Ref temp
p2007	Reference acceleration / a_ref
p2030	Field bus int protocol selection / Field bus protocol
p2038	PROFIdrive STW/ZSW interface mode / PD STW/ZSW IF mode
p2079	PROFIdrive PZD telegram selection extended / PZD telegr ext
p7763	KHP OEM exception list number of indices for p7764 / KHP OEM qty p7764
p7764[0...n]	KHP OEM exception list / KHP OEM excep list
p9601	SI enable functions integrated in the drive (processor 1) / SI enable fct P1
p9810	SI PROFIsafe address (processor 2) / SI PROFIsafe P2
p9902	Target topology number of indices / TargetTopo indices

2.6 Quick commissioning (p0010 = 1)

The parameters required for the quick commissioning (p0010=1) are shown in the following table:

Table 2-7 Quick commissioning (p0010 = 1)

Par. no.	Name	Access level	Changeable
p0010	Drive, commissioning parameter filter	1	C(1)T
p0015	Macro drive unit	1	C,C(1)
p0100	IEC/NEMA motor standard	1	C(1)
p0205	Power unit application	1	C(1,2)
p0230	Drive filter type, motor side	1	C(1,2)
p0300	Motor type selection	2	C(1,3)
p0301	Motor code number selection	2	C(1,3)
p0304	Rated motor voltage	1	C(1,3)
p0305	Rated motor current	1	C(1,3)
p0306	Number of motors connected in parallel	1	C(1,3)
p0307	Rated motor power	1	C(1,3)
p0308	Rated motor power factor	1	C(1,3)
p0309	Rated motor efficiency	1	C(1,3)
p0310	Rated motor frequency	1	C(1,3)
p0311	Rated motor speed	1	C(1,3)
p0314	Motor pole pair number	3	C(1,3)
p0316	Motor torque constant	3	C(1,3)UT
p0322	Maximum motor speed	1	C(1,3)
p0323	Maximum motor current	1	C(1,3)
p0335	Motor cooling type	2	C(1,3)T
p0400	Encoder type selection	1	C(1,4)
p0402	Gear unit type selection	1	C(1,4)
p0500	Technology application	2	C(1,5)T
p0640	Current limit	2	C(1,3)UT
p0922	PROFIdrive telegram selection	1	C(1)T
p0970	Reset drive parameters	1	C(1,30)
p1080	Minimum speed	1	C(1)T
p1082	Maximum speed	1	C(1)T
p1120	Ramp-function generator ramp-up time	1	C(1)UT
p1121	Ramp-function generator ramp-down time	1	C(1)UT
p1135	OFF3 ramp-down time	2	C(1)UT
p1300	Open-loop/closed-loop control operating mode	2	C(1)T
p1500	Torque setpoint selection	2	C(1)T

Table 2-7 Quick commissioning (p0010 = 1), continued

Par. no.	Name	Access level		Changeable
p1900	Motor data identification and rotating measurement	1		C(1)T
p1905	Parameter tuning selection	1		C(1)T
p2196	Torque utilization scaling	1		C(1,3)UT
p3900	Completion of quick commissioning	1		C(1)

If p0010 = 1 is selected, p0003 (user access level) can be used to select the parameters that are to be accessed.

At the end of the quick commissioning, set p3900 = 1 to perform the required motor calculations and reset all other parameters (not included in p0010 = 1) to their default settings.

Note

This only applies for the quick commissioning.

Function diagrams

Content

3.1	Table of contents	682
3.2	Explanations on the function diagrams	689
3.3	Input/output terminals	694
3.4	PROFInergy	705
3.5	PROFIdrive communication (PROFIBUS/PROFINET)	708
3.6	CANopen communication	736
3.7	Communication, fieldbus interface (USS, MODBUS)	743
3.8	Internal control/status words	750
3.9	Brake control	769
3.10	Safety Integrated Basic Functions	771
3.11	Safety Integrated Extended Functions	778
3.12	Safety Integrated PROFIsafe	790
3.13	Setpoint channel	793
3.14	Setpoint channel not activated	804
3.15	Basic positioner (EPOS)	806
3.16	Position control	822
3.17	Encoder evaluation	827
3.18	Vector control	834
3.19	Technology functions	860
3.20	Free function blocks	862
3.21	Technology controller	883
3.22	Signals and monitoring functions	888
3.23	Diagnostics	899
3.24	Data sets	905

3.1 Table of contents

3.2 Explanations on the function diagrams	689
1020 – Explanation of the symbols (part 1)	690
1021 – Explanation of the symbols (part 2)	691
1022 – Explanation of the symbols (part 3)	692
1030 – Handling BICO technology	693
3.3 Input/output terminals	694
2201 – Connection overview	695
2221 – Digital inputs, electrically isolated (DI 0 ... DI 5)	696
2222 – Digital inputs, electrically isolated (DI 6, DI 16 ... DI 19)	697
2230 – Digital inputs/outputs, bidirectional (DI/DO 24 ... DI/DO 25)	698
2231 – Digital inputs/outputs, bidirectional (DI/DO 26 ... DI/DO 27)	699
2242 – Digital outputs (DO 0 ... DO 2)	700
2251 – Analog inputs 0 ... 1 (AI 0 ... AI 1)	701
2261 – Analog outputs 0 ... 1 (AO 0 ... AO 1)	702
2272 – Two-wire control	703
2273 – Three-wire control	704
3.4 PROFlenergy	705
2381 – Control commands and interrogation commands	706
2382 – States	707
3.5 PROFIdrive communication (PROFIBUS/PROFINET)	708
2401 – Overview	709
2410 – PROFIBUS (PB) / PROFINET (PN), addresses and diagnostics	710
2421 – Standard telegrams and process data (PZD)	711
2422 – Manufacturer-specific/free telegrams and process data (PZD)	712
2440 – PZD receive signals interconnection	713
2441 – STW1 control word interconnection (p2038 = 2)	714
2442 – STW1 control word interconnection (p2038 = 0)	715
2444 – STW2 control word interconnection (p2038 = 0)	716
2446 – STW3 control word interconnection	717
2450 – PZD send signals interconnection	718
2451 – ZSW1 status word interconnection (p2038 = 2)	719
2452 – ZSW1 status word interconnection (p2038 = 0)	720
2454 – ZSW2 status word interconnection (p2038 = 0)	721

2456 – ZSW3 status word interconnection	722
2460 – MELDW status word interconnection	723
2462 – POS_STW positioning control word interconnection	724
2463 – POS_STW1 positioning control word 1 interconnection	725
2464 – POS_STW2 positioning control word 2 interconnection	726
2465 – POS_ZSW positioning status word interconnection	727
2466 – POS_ZSW1 positioning status word 1 interconnection	728
2467 – POS_ZSW2 positioning status word 2 interconnection	729
2468 – Receive telegram, free interconnection via BICO (p0922 = 999)	730
2470 – Send telegram, free interconnection via BICO (p0922 = 999)	731
2472 – Status words, free interconnection	732
2476 – SATZANW block selection interconnection	733
2477 – AKTSATZ status word interconnection	734
2480 – MDI_MOD - MDI mode interconnection	735
3.6 CANopen communication	736
9204 – Receive telegram, free PDO mapping (p8744 = 2)	737
9206 – Receive telegram, Predefined Connection Set (p8744 = 1)	738
9208 – Send telegram, free PDO mapping (p8744 = 2)	739
9210 – Send telegram, Predefined Connection Set (p8744 = 1)	740
9220 – Control word, CANopen	741
9226 – Status word, CANopen	742
3.7 Communication, fieldbus interface (USS, MODBUS)	743
9310 – Configuration, addresses and diagnostics	744
9342 – STW1 control word interconnection	745
9352 – ZSW1 status word interconnection	746
9360 – Receive telegram, free interconnection via BICO (p0922 = 999)	747
9370 – Send telegram, free interconnection via BICO (p0922 = 999)	748
9372 – Status word, free interconnection	749
3.8 Internal control/status words	750
2501 – Control word, sequence control	751
2503 – Status word, sequence control	752
2505 – Control word, setpoint channel	753
2510 – Status word 1 (r0052)	754
2511 – Status word 2 (r0053)	755
2512 – Control word 1 (r0054)	756

2513 – Control word 2 (r0055)	757
2520 – Control word, speed controller (r1406)	758
2522 – Status word, speed controller (r1407)	759
2526 – Status word, closed-loop control (r0056)	760
2530 – Status word, closed-loop current control (r1408)	761
2534 – Status word, monitoring functions 1	762
2536 – Status word, monitoring functions 2	763
2537 – Status word, monitoring functions 3	764
2546 – Control word, faults/alarms	765
2548 – Status word, faults/alarms 1 and 2	766
2610 – Sequence control - sequencer	767
2634 – Sequence control - Missing enable signals (vector control)	768
3.9 Brake control	769
2701 – Basic brake control	770
3.10 Safety Integrated Basic Functions	771
2800 – Parameter manager	772
2802 – Monitoring functions and faults/alarms	773
2804 – Status words	774
2810 – STO (Safe Torque Off), SS1 (Safe Stop 1)	775
2812 – F-DI (Fail-safe Digital Input)	776
2814 – SBC (Safe Brake Control)	777
3.11 Safety Integrated Extended Functions	778
2819 – SS1 (Safe Stop 1), internal STOP A, B, F	779
2820 – SLS (Safely-Limited Speed)	780
2823 – SSM (Safe Speed Monitor)	781
2824 – SDI (Safe Direction)	782
2840 – Control and status word	783
2850 – Fail-safe digital inputs (F-DI 0 ... F-DI 2)	784
2853 – Fail-safe digital output (F-DO 0)	785
2855 – Extended Functions via F-DI (p9601.2 = 1 and p9601.3 = 0)	786
2856 – Safe state selection	787
2857 – F-DO assignment	788
2858 – Extended functions via PROFIsafe (9601.2 = 1 and 9601.3 = 1)	789

3.12 Safety Integrated PROFIsafe	790
2915 – Standard telegrams	791
2917 – Manufacturer-specific telegrams	792
3.13 Setpoint channel	793
3001 – Overview	794
3010 – Fixed speed setpoints, binary selection (p1016 = 2)	795
3011 – Fixed speed setpoints, direct selection (p1016 = 1)	796
3020 – Motorized potentiometer	797
3030 – Main/supplementary setpoint, setpoint scaling, jogging	798
3040 – Direction limitation and direction reversal	799
3050 – Skip frequency bands and speed limitations	800
3060 – Basic ramp-function generator	801
3070 – Extended ramp-function generator	802
3080 – Ramp-function generator selection, status word, tracking	803
3.14 Setpoint channel not activated	804
3095 – Generation of the speed limits (r0108.8 = 0)	805
3.15 Basic positioner (EPOS)	806
3610 – Jog mode	807
3612 – Referencing/reference point approach mode (p2597 = 0 signal)	808
3614 – Flying referencing mode (p2597 = 1 signal)	809
3615 – Traversing block mode, external block change	810
3616 – Traversing block mode	811
3617 – Travel to fixed stop	812
3618 – Direct setpoint input / MDI mode, dynamic values	813
3620 – Direct setpoint input / MDI mode	814
3625 – Mode control	815
3630 – Traversing range limits	816
3635 – Interpolator	817
3640 – Control word, block selection / MDI selection	818
3645 – Status word 1	819
3646 – Status word 2	820
3650 – Status word, active traversing block/MDI active	821
3.16 Position control	822
4010 – Position actual value preprocessing	823

4015 – Position controller	824
4020 – Standstill monitoring / positioning monitoring	825
4025 – Dynamic following error monitoring, cam controllers	826
3.17 Encoder evaluation	827
4704 – Position and temperature sensing, encoders 1 ... 2	828
4715 – Speed actual value and pole pos. sensing, motor encoder ASM/SM (encoder 1)	829
4720 – Encoder interface, receive signals, encoders 1 ... 2	830
4730 – Encoder interface, send signals, encoders 1 ... 2	831
4735 – Reference mark search with external zero mark, encoder 1	832
4750 – Absolute value for incremental encoder	833
3.18 Vector control	834
6020 – Speed control and generation of the torque limits, overview	835
6030 – Speed setpoint, droop	836
6031 – Pre-control balancing, acceleration model	837
6040 – Speed controller	838
6050 – Kp_n -/ Tn_n adaptation	839
6060 – Torque setpoint	840
6220 – Vdc_max controller and Vdc_min controller (PM240)	841
6300 – U/f control, overview	842
6301 – U/f characteristic and voltage boost	843
6310 – Resonance damping and slip compensation	844
6320 – Vdc_max controller and Vdc_min controller (PM240), (U/f)	845
6490 – Speed control configuration	846
6491 – Flux control configuration	847
6630 – Upper/lower torque limit	848
6640 – Current/power/torque limits	849
6700 – Current control, overview	850
6710 – Current setpoint filter	851
6714 – Iq and Id controllers	852
6721 – Id setpoint (PEM, $p0300 = 2xx$)	853
6722 – Field weakening characteristic, Id setpoint (ASM, $p0300 = 1$)	854
6723 – Field weakening controller, flux controller (ASM, $p0300 = 1$)	855
6724 – Field weakening controller (PEM, $p0300 = 2xx$)	856
6730 – Interface to the Power Module (ASM, $p0300 = 1$)	857
6731 – Interface to the Power Module (PEM, $p0300 = 2xx$)	858
6799 – Display signals	859

3.19 Technology functions	860
7017 – DC brake (p0300 = 1)	861
3.20 Free function blocks	862
7200 – Sampling times of the runtime groups	863
7210 – AND (AND function blocks with 4 inputs)	864
7212 – OR (OR function blocks with 4 inputs)	865
7214 – XOR (XOR function blocks with 4 inputs)	866
7216 – NOT (inverter)	867
7220 – ADD (adder with 4 inputs), SUB (subtractor)	868
7222 – MUL (multiplier), DIV (divider)	869
7224 – AVA (absolute value generator)	870
7225 – NCM (numeric comparator)	871
7226 – PLI (polyline scaling)	872
7230 – MFP (pulse generator), PCL (pulse contractor)	873
7232 – PDE (ON delay)	874
7233 – PDF (OFF delay)	875
7234 – PST (pulse stretcher)	876
7240 – RSR (RS flip-flop), DFR (D flip-flop)	877
7250 – BSW (binary change-over switch), NSW (numeric change-over switch)	878
7260 – LIM (limiter)	879
7262 – PT1 (smoothing element)	880
7264 – INT (integrator), DIF (derivative-action element)	881
7270 – LVM (double-sided limit monitor with hysteresis)	882
3.21 Technology controller	883
7950 – Fixed value selection binary (p2216 = 2)	884
7951 – Fixed value selection direct (p2216 = 1)	885
7954 – Motorized potentiometer	886
7958 – Closed-loop control (vector)	887
3.22 Signals and monitoring functions	888
8005 – Overview	889
8010 – Speed signals 1	890
8011 – Speed signals 2	891
8012 – Torque signals, motor blocked/stalled	892
8013 – Load monitoring	893
8014 – Thermal monitoring, power unit	894

3.1 Table of contents

8016 – Thermal monitoring, motor	895
8017 – Thermal motor models	896
8020 – Monitoring functions 1	897
8021 – Monitoring functions 2	898
3.23 Diagnostics	899
8050 – Overview	900
8060 – Fault buffer	901
8065 – Alarm buffer	902
8070 – Faults/alarms trigger word (r2129)	903
8075 – Faults/alarms configuration	904
3.24 Data sets	905
8560 – Command Data Sets (CDS)	906
8565 – Drive Data Sets (DDS)	907
8570 – Encoder Data Sets (EDS)	908

3.2 Explanations on the function diagrams

Function diagrams

1020 – Explanation of the symbols (part 1)	690
1021 – Explanation of the symbols (part 2)	691
1022 – Explanation of the symbols (part 3)	692
1030 – Handling BICO technology	693


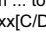
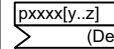
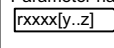
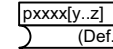
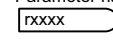

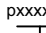
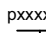
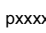
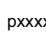
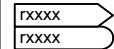

Parameters		Connectors		Binectors		Data sets									
Symbol Parameter name [Unit] rxxx[y..z]  Parameter name from ... to [Unit] pxxx[C/D] (Def) 	Meaning Monitoring parameter with unit [Unit] and index range [y..z] or data set [C/D] Setting parameter with min/max value and unit [Unit] data set [C/D] and factory setting (Def *)	Symbol Parameter name pxxx[y..z]  (Def) Parameter name [Unit] rxxx[y..z] 	Meaning Connector input CI with index range [y..z] or data set [C/D] and factory setting (Def *) Connector output CO with unit [Unit] and with index range [y..z]	Symbol Parameter name pxxx[y..z]  (Def.y) Parameter name rxxx 	Meaning Binector input BI with with index range [y..z] or data set [C/D] and factory setting.bit number (Def) Binector output BO	Symbol pxxx[C]  pxxx[D]  pxxx[E]  pxxx[M]  pxxx[P] 	Meaning Parameter belongs to the Command Data Set (CDS). Parameter belongs to the Drive Data Set (DDS). Parameter belongs to the Encoder Data Set (EDS). Parameter belongs to the Motor Data Set (MDS). Parameter belongs to the Power unit Data Set (PDS).								
Connectors/binectors Symbol Parameter name rxxx  rxxx				Pre-assigned binectors and connectors Symbol Parameter name from ... to [Unit] pxxx[D] (Def) 											
Information on parameters, binectors, connectors Symbol Parameter name [Unit] rxxx[y] or rxxx[y..z] or rxxx[y].ww or rxxx.ww pxxx[y] or pxxx[y..z] or pxxx[y].ww or pxxx.ww from ... to (xxx[y].ww) (Def) (Def.w) [aaaa.b]				Meaning Parameter name (up to 18 characters) [dimension unit] "r" = monitoring parameter. These parameters are read-only "xxxx" stands for the parameter number "[y]" specifies the applicable index, "[y..z]" specifies the index range ".ww" specifies the bit number (e.g. 0...15). "p" = setting parameter. These parameters can be changed. "xxxx" stands for the parameter number, "[y]" specifies the applicable index, "[y..z]" specifies the index range ".ww" specifies the bit number (e.g. 0...15). Value range. Parameter number (xxx) with Index number [y] and bit number .ww. Factory setting. Factory setting with bit number as prefix. Diagram references for setting parameters that occur a multiple number of times. [Function diagram number, signal path]				Cross references between diagrams Symbol Signal path Text → [aaaa.b] [cccc.d] → Text To "function diagram name" [aaaa.b] = binectors.				Meaning The function diagrams are sub-divided into signal paths 1...8 in order to facilitate orientation. Text = Unique signal designation aaaa = Signal to target diagram aaa b = Signal to signal path b Text = Unique signal designation cccc = Signal from source diagram cccc d = Signal from signal path d			
*) For some parameters the value for the factory setting is calculated during commissioning for they are dependent on Power Module and motor (see Section 2.1.1 "Calculated").															
1	2	3	4	5	6	7	8								
Explanations on the function diagrams					fp_1020_97_61.vsd	Function diagram									
Explanation of the symbols (part 1)					08.04.2014 V4.7	G120 CU250S-2									
							- 1020 -								

Fig. 3-1 1020 – Explanation of the symbols (part 1)

Fig. 3-2 1021 – Explanation of the symbols (part 2)

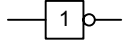
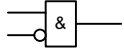
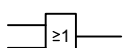
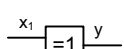
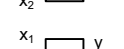
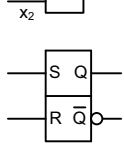
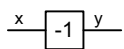


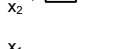
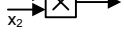
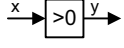
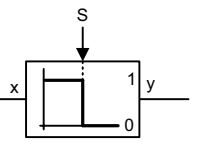
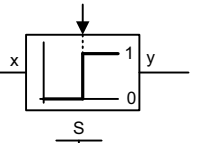
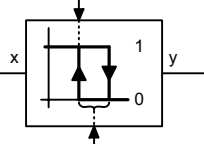
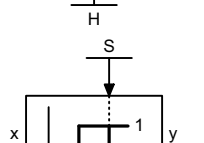
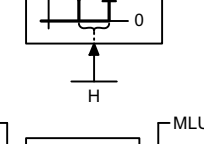
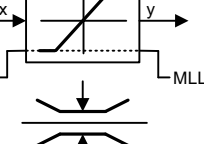
1	2	3	4	5	6	7	8	
<p>Pre-assigned binectors and connectors</p> <p>Fixed percentage values</p> <p>Fixed value 1 [%] -10000.00 ... 10000.00 [%] p2900 [D] (0.00)</p> <p>or</p> <p>Fixed value 2 [%] -10 000.00...10 000.00 [%] p2901[D] (0.00)</p> <p>Fixed values [%] p2902[0...14] (0.00)</p> <p>p2902[0] = +0 % p2902[5] = +100 % p2902[10] = -20 % p2902[1] = +5 % p2902[6] = +150 % p2902[11] = -50 % p2902[2] = +10 % p2902[7] = +200 % p2902[12] = -100 % p2902[3] = +20 % p2902[8] = -5 % p2902[13] = -150 % p2902[4] = +50 % p2902[9] = -10 % p2902[14] = -200 %</p> <p>Fixed speed values</p> <p>n_set_fixed 1 -210000.000 ... 210000.000 [rpm] p1001 [D] (0.000)</p> <p>or</p> <p>n_set_fixed 15 -210 000.000...210 000.000 [1/min] p1015[D] (0.000)</p> <p>Fixed torque value</p> <p>Fixed value M [Nm] -100000.00 ... 100000.00 [Nm] p2930 [D] (0.00)</p> <p>or</p> <p>Fixed value M [Nm] -100 000.00...100 000.00 [Nm] p2930[D] (0.00)</p>		<p>Symbols for logic functions</p> <p>Logical inversion </p> <p>AND element with logical inversion of an input signal </p> <p>OR element </p> <p>Exclusive-OR/XOR y = 1 when x1 ≠ x2 is. </p> <p>Comparator y = 1 when x1 = x2 is. </p> <p>R/S flip-flop S = setting input R = reset input Q = non-inverted output Q̄ = inverted output </p>		<p>Symbols for computational and closed-loop control functions</p> <p>Sign reversal y = -x </p> <p>Absolute value generator y = x </p> <p>Divider $y = \frac{x_1}{x_2}$ </p> <p>Multiplier y = x₁ • x₂ </p> <p>Comparator greater than 0 y = 1, if the analog signal x > 0, i.e. is positive. </p> <p>Differentiator $y = \frac{dx}{dt}$ </p>		<p>Symbols for computational and closed-loop control functions</p> <p>Threshold value switch 1/0 Outputs at y a logical "1" if x < S. </p> <p>Threshold value switch 0/1 Outputs at y a logical "1" if x > S. </p> <p>Threshold value 1/0 with hysteresis Outputs a logical "1" at y if x < S. If x >= S + H then y returns to 0. </p> <p>Threshold value 0/1 with hysteresis Outputs a logical "1" at y if x > S. If x <= S - H then y returns to 0. </p> <p>Limiter x is limited to the upper limit LU and the lower limit LL and output at y. The digital signals MLU and MLL have the value "1", if the upper or lower limit is active. </p> <p>Sample & Hold element Sample and hold element. y = x if SET = 1 (not retentively saved at POWER OFF) </p>		<p>Symbol for monitoring</p> <p>Monitoring → Axxxxx or Fxxxxx</p> <p>Monitoring In the bottom right-hand corner of the diagram.</p>
<p>Explanations on the function diagrams</p>					<p>fp_1021_97_61.vsd</p>	<p>Function diagram</p>		
<p>Explanation of the symbols (part 2)</p>					<p>08.04.2014 V4.7</p>	<p>G120 CU250S-2</p>		

Fig. 3-3 1022 – Explanation of the symbols (part 3)

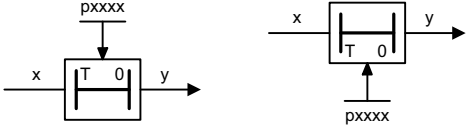
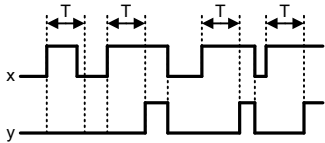
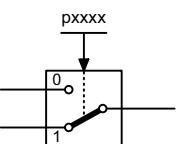
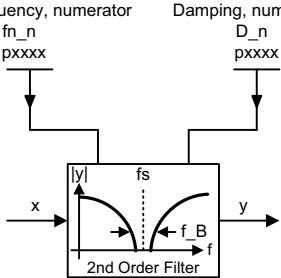
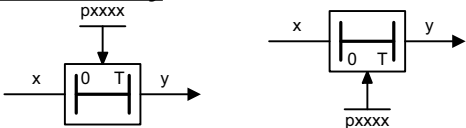
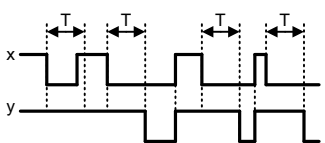
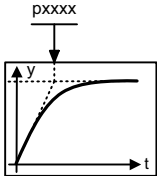
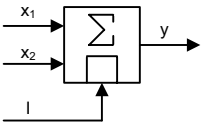
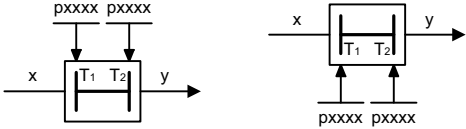
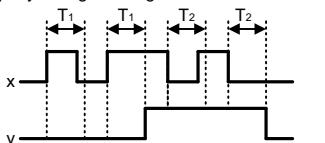
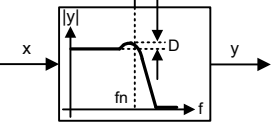
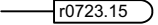
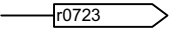
<p>Switch-on delay</p>  <p>The digital signal x must have the value "1" without any interruption during the time T before output y changes to "1".</p> 	<p>Switch symbol</p>  <p>Simple changeover switch The switch position is shown according to the factory setting (in this case, switch position 1 in the default state on delivery).</p>	<p>2nd-order filter (bandstop/general filter)</p>  <p>Natural frequency, numerator: f_{n_n} pxxxx Damping, numerator: D_n pxxxx Natural frequency, denominator: f_{n_d} pxxxx Damping, denominator: D_d pxxxx</p> <p>Used as bandstop filter</p> <ul style="list-style-type: none"> - center frequency f_s: $f_{n_n} = f_s$, $f_{n_d} = f_s$ - bandwidth f_B: $D_n = 0$, $D_d = \frac{f_B}{2 \cdot f_s}$ <p>Transfer function when used as general filter</p> $H(s) = \frac{\left(\frac{s}{2\pi f_{n_n}}\right)^2 + \frac{2 \cdot D_n}{2\pi f_{n_n}} \cdot s + 1}{\left(\frac{s}{2\pi f_{n_d}}\right)^2 + \frac{2 \cdot D_d}{2\pi f_{n_d}} \cdot s + 1}$
<p>Switch-off delay</p>  <p>The digital signal x must have the value "0" without interruption during the time T before output y changes to "0".</p> 	<p>PT1 element</p>  <p>Delay element, first order. pxxxx = time constant</p>	<p>Analog adder can be activated</p>  <p>The following applies to I = 1 signal: $y = x_1 + x_2$ The following applies to I = 0 signal: $y = x_1$</p>
<p>Delay (switch-on and switch-off)</p>  <p>The digital signal x must have the value "1" without interruption during time T1 or must have the value "0" during time T2 before output y changes its signal state.</p> 	<p>PT2 low pass</p>  <p>Natural frequency, denominator: f_{n_d} pxxxx Damping, denominator: D_d pxxxx</p> <p>Transfer function</p> $H(s) = \frac{1}{\left(\frac{s}{2\pi f_{n_d}}\right)^2 + \frac{2 \cdot D_d}{2\pi f_{n_d}} \cdot s + 1}$	<p>6 fp_1022_97_61.vsd 08.04.2014 V4.7</p> <p>7 Function diagram G120 CU250S-2</p> <p>8 - 1022 -</p>

Fig. 3-4 1030 – Handling BICO technology

Handling BICO technology

Binector:  Binectors are binary signals that can be freely interconnected (BO = Binector Output). They represent a bit of a "BO:" display parameter (e.g. bit 15 from r0723).

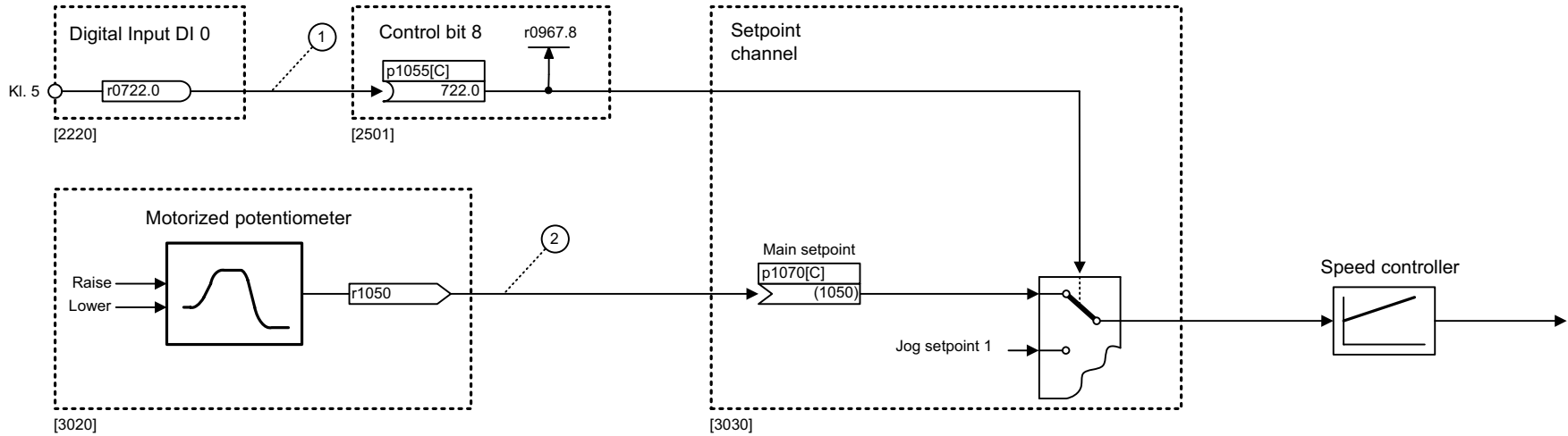
Connector:  Connectors are "analog signals" that can be freely interconnected (e.g. percentage variables, speeds or torques). Connectors are also "CO:" display parameters (CO = Connector Output).

Parameterization:

At the signal destination, the required binector or connector is selected using appropriate parameters:
"BI:" parameter for binectors (BI = Binector Input)
or
"CI:" parameter for connectors (CI = Connector Input)

Example:

The main setpoint for the speed controller (CI: p1070) should be received from the output of the motorized potentiometer (CO: r1050) and the "jog" command (BI: p1055) from Digital Input DI 0 (BO: r0722.0, Terminal 5 (Kl. 5)) on the CU.



Parameterizing steps:

- ① p1055[0] = 722.0 Terminal 5 (Kl. 5) acts as "Jog bit 0".
- ② p1070[0] = 1050 The output of the motorized potentiometer acts as main setpoint for the speed controller.

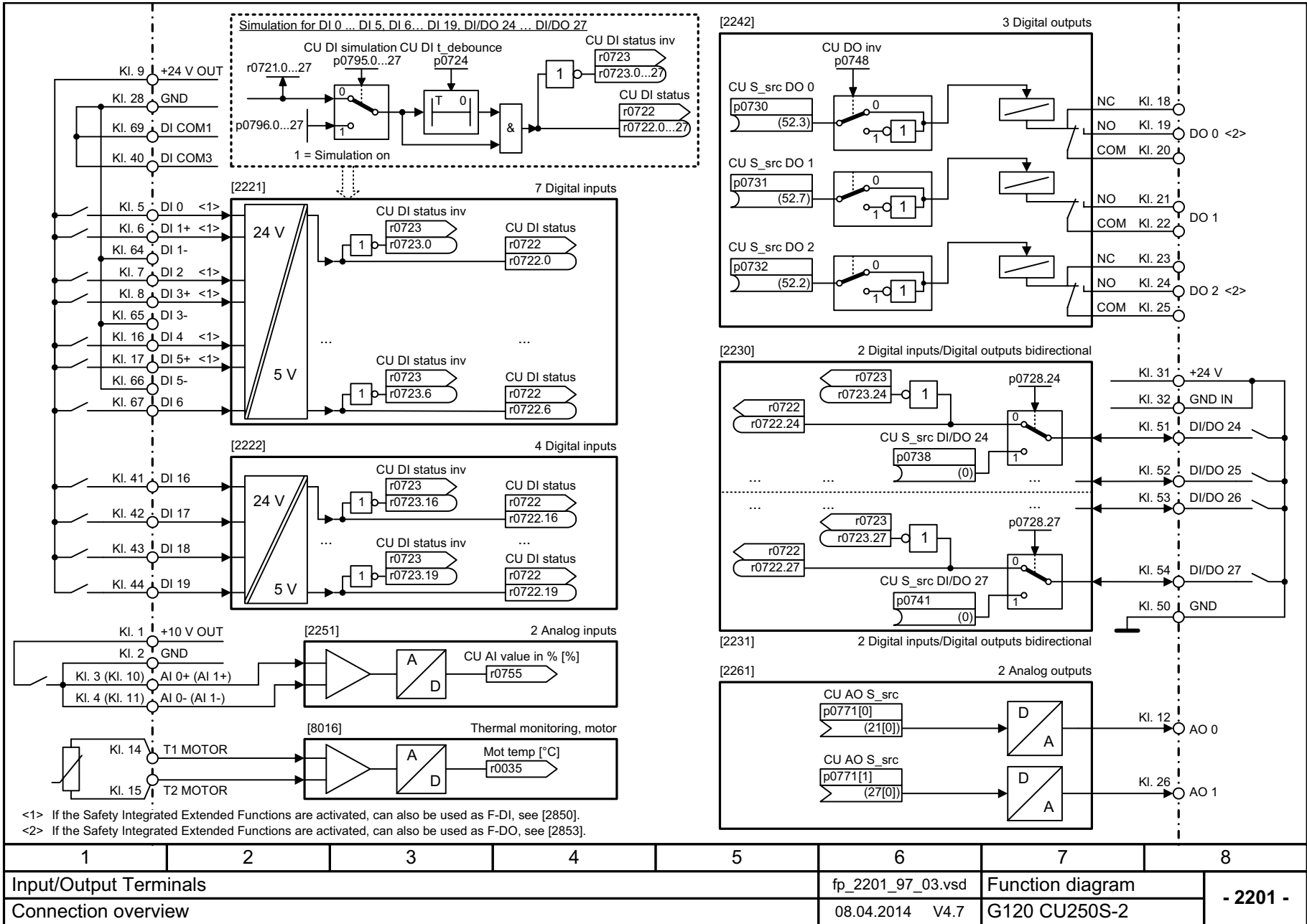
1	2	3	4	5	6	7	8
Explanations on the function diagrams					fp_1030_97_61.vsd	Function diagram	
Handling BICO technology					08.04.2014 V4.7	G120 CU250S-2	
							- 1030 -

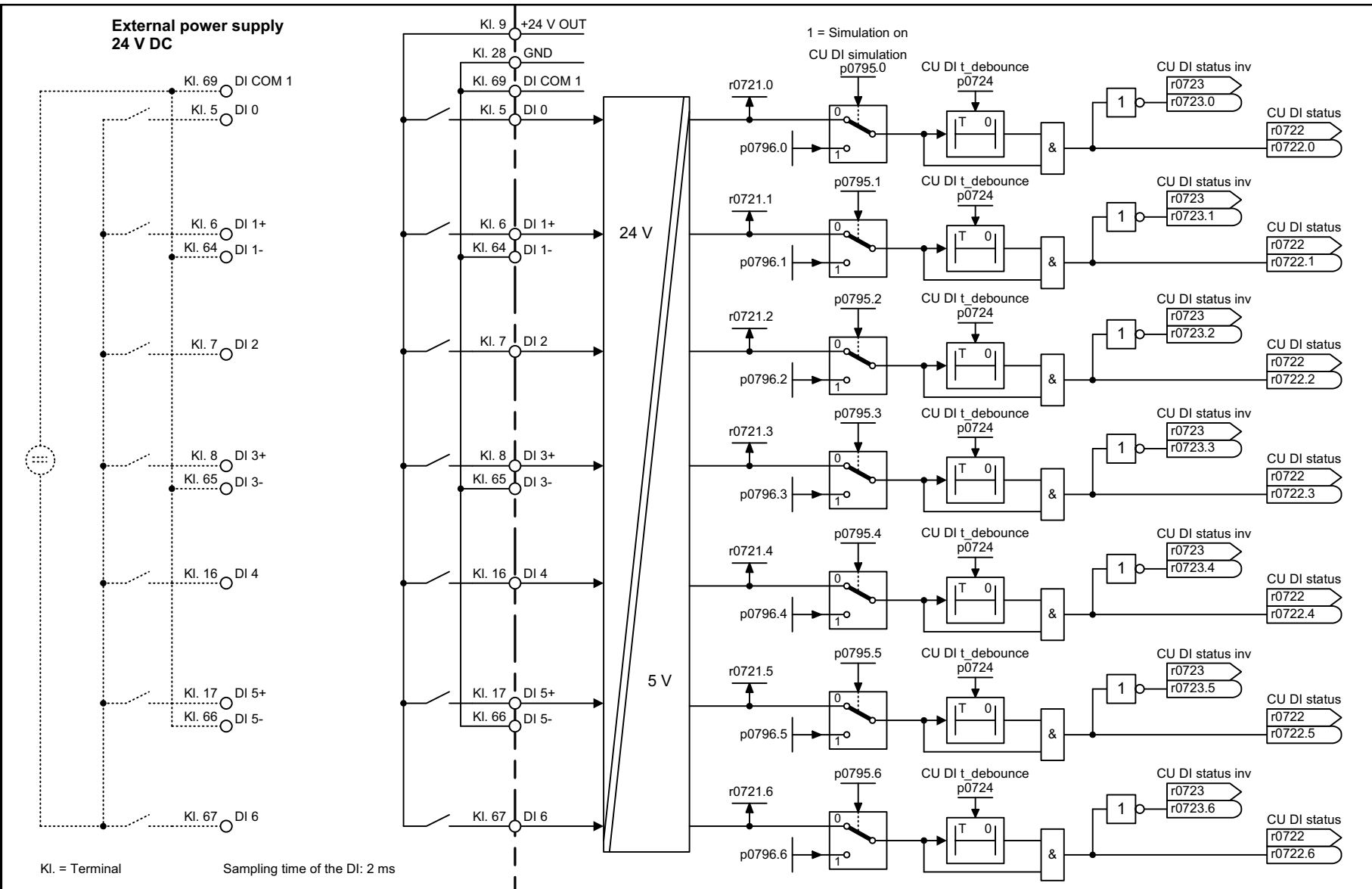
3.3 Input/output terminals

Function diagrams

2201 – Connection overview	695
2221 – Digital inputs, electrically isolated (DI 0 ... DI 5)	696
2222 – Digital inputs, electrically isolated (DI 6, DI 16 ... DI 19)	697
2230 – Digital inputs/outputs, bidirectional (DI/DO 24 ... DI/DO 25)	698
2231 – Digital inputs/outputs, bidirectional (DI/DO 26 ... DI/DO 27)	699
2242 – Digital outputs (DO 0 ... DO 2)	700
2251 – Analog inputs 0 ... 1 (AI 0 ... AI 1)	701
2261 – Analog outputs 0 ... 1 (AO 0 ... AO 1)	702
2272 – Two-wire control	703
2273 – Three-wire control	704

Fig. 3-5 2201 – Connection overview

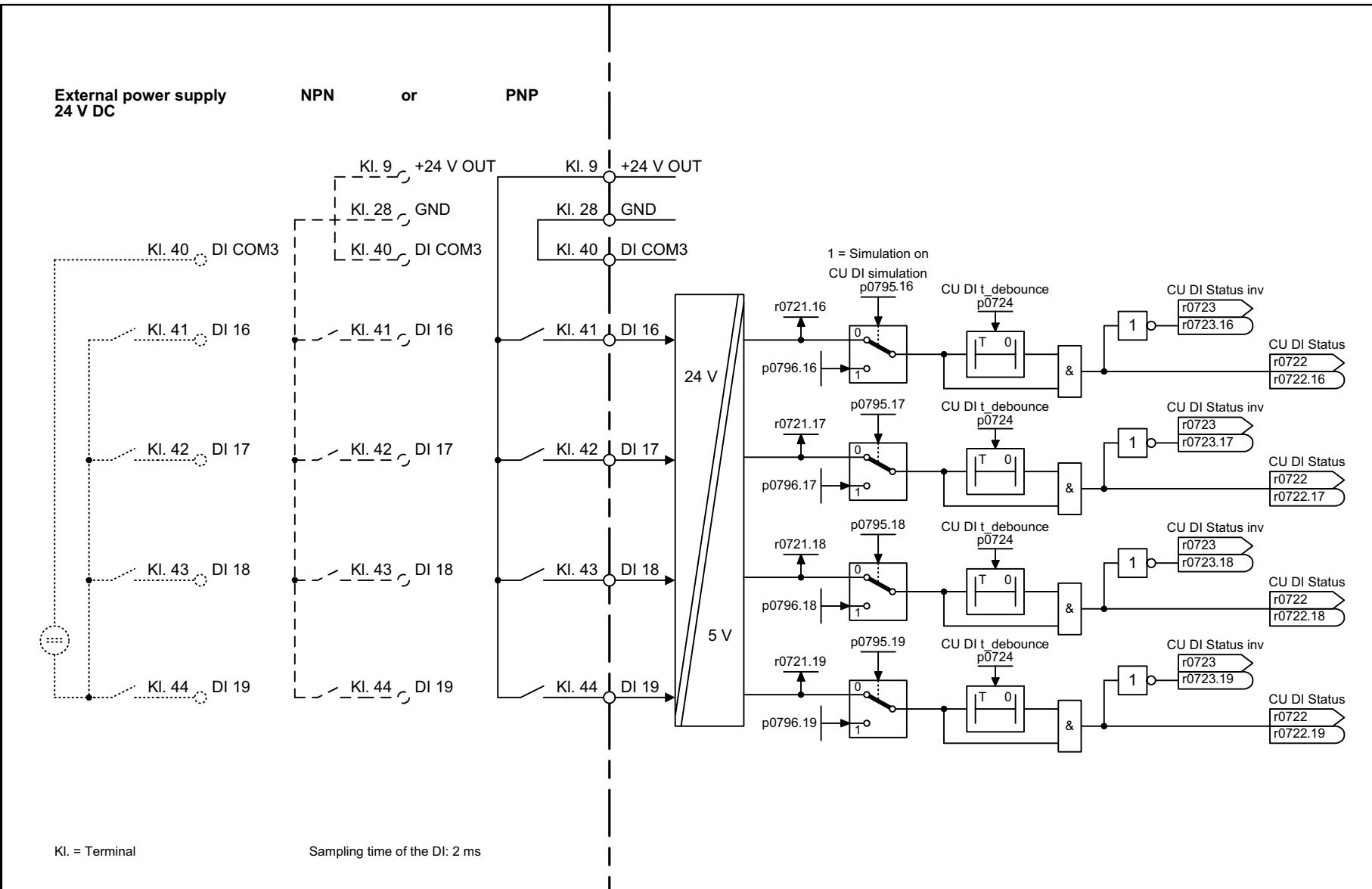




1	2	3	4	5	6	7	8
Input/Output Terminals					fp_2221_97_03.vsd	Function diagram	
Digital inputs, electrically isolated (DI 0 ... DI 6)					08.04.2014 V4.7	G120 CU250S-2	

- 2221 -

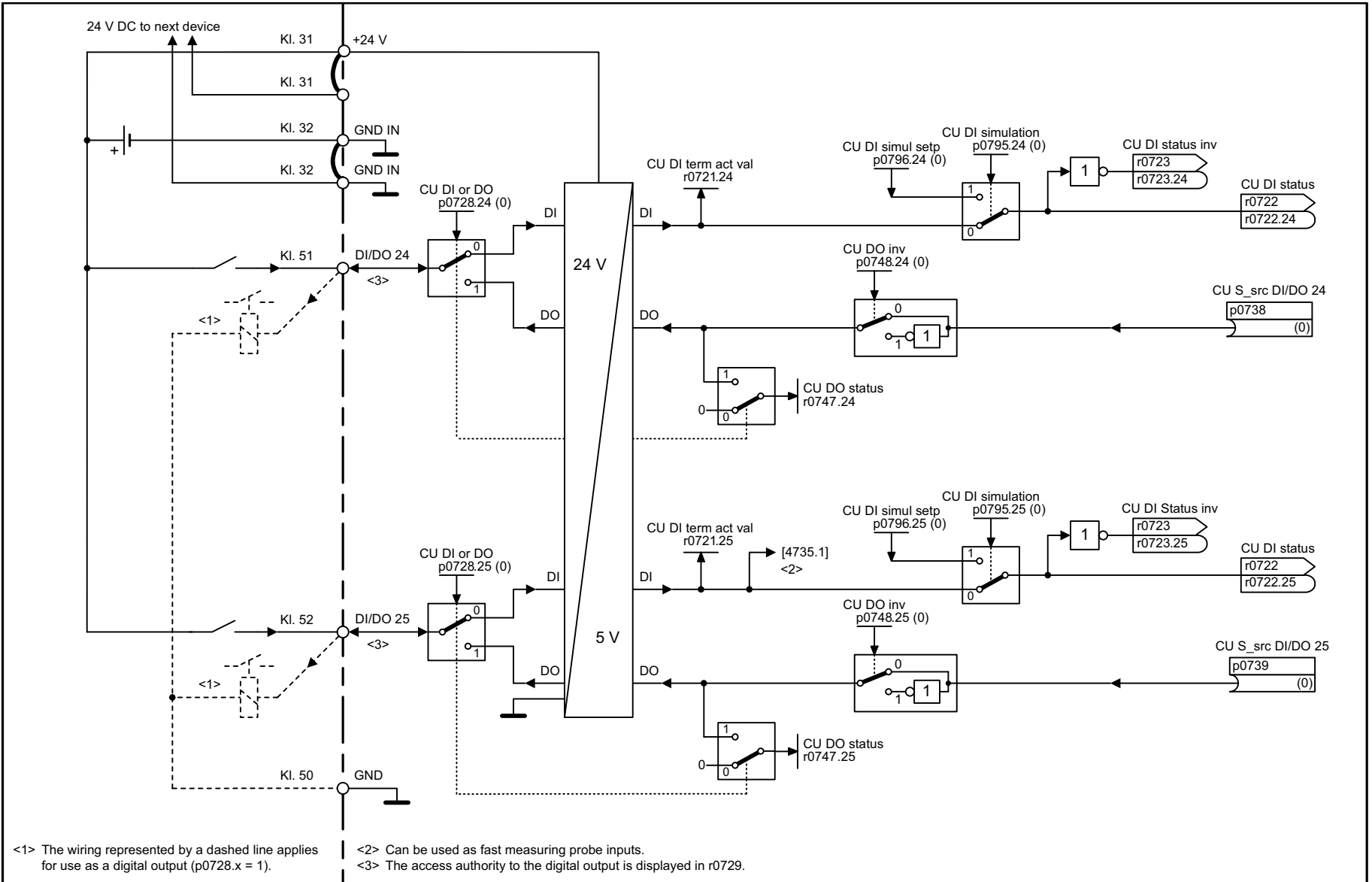
Fig. 3-6 2221 – Digital inputs, electrically isolated (DI 0 ... DI 5)



1	2	3	4	5	6	7	8
Input/Output Terminals					fp_2222_97_03.vsd	Function diagram	
Digital inputs, electrically isolated (DI 16 ... DI 19)					08.04.2014 V4.7	G120 CU250S-2	

- 2222 -

Fig. 3-7 2222 – Digital inputs, electrically isolated (DI 6, DI 16 ... DI 19)

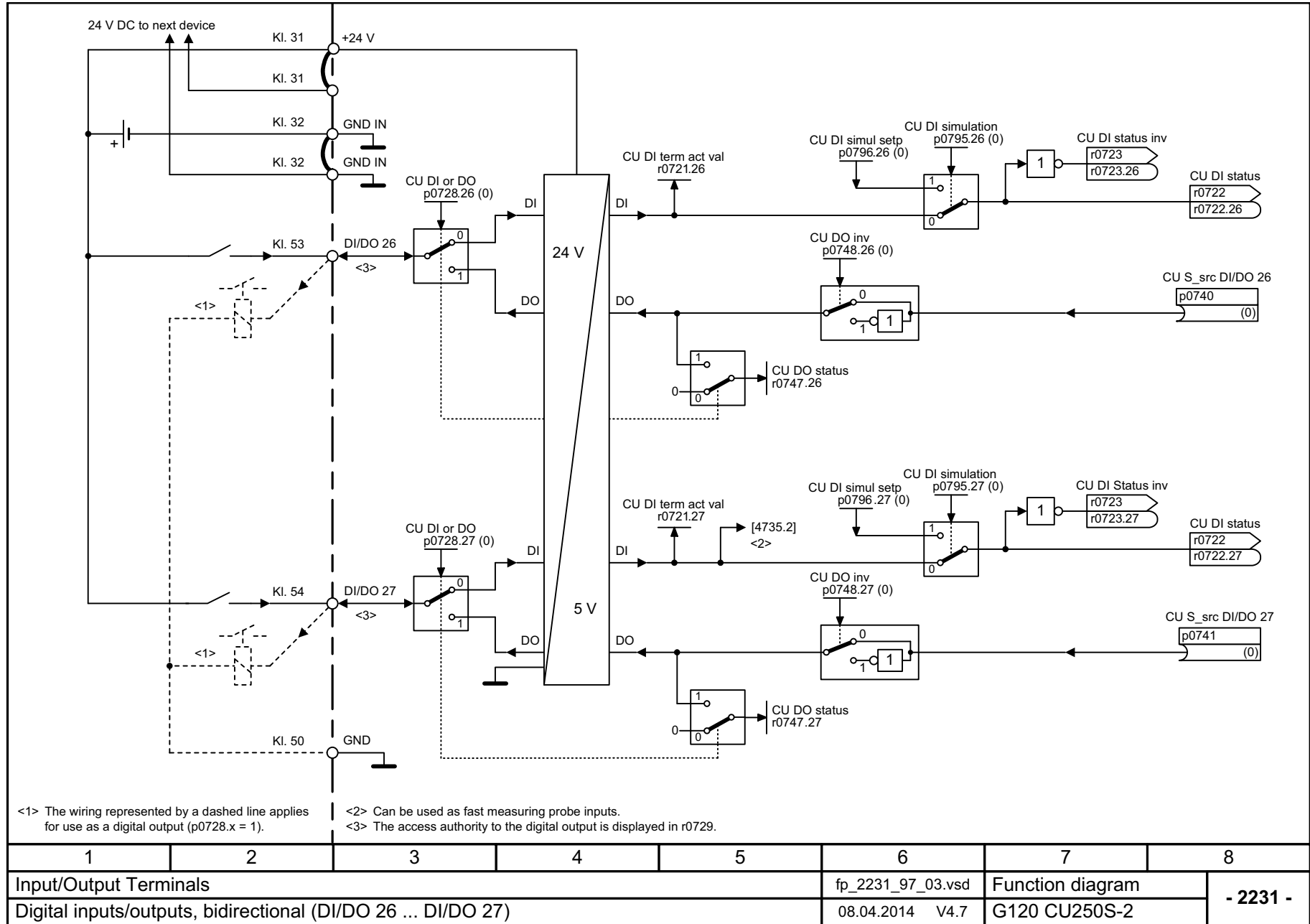


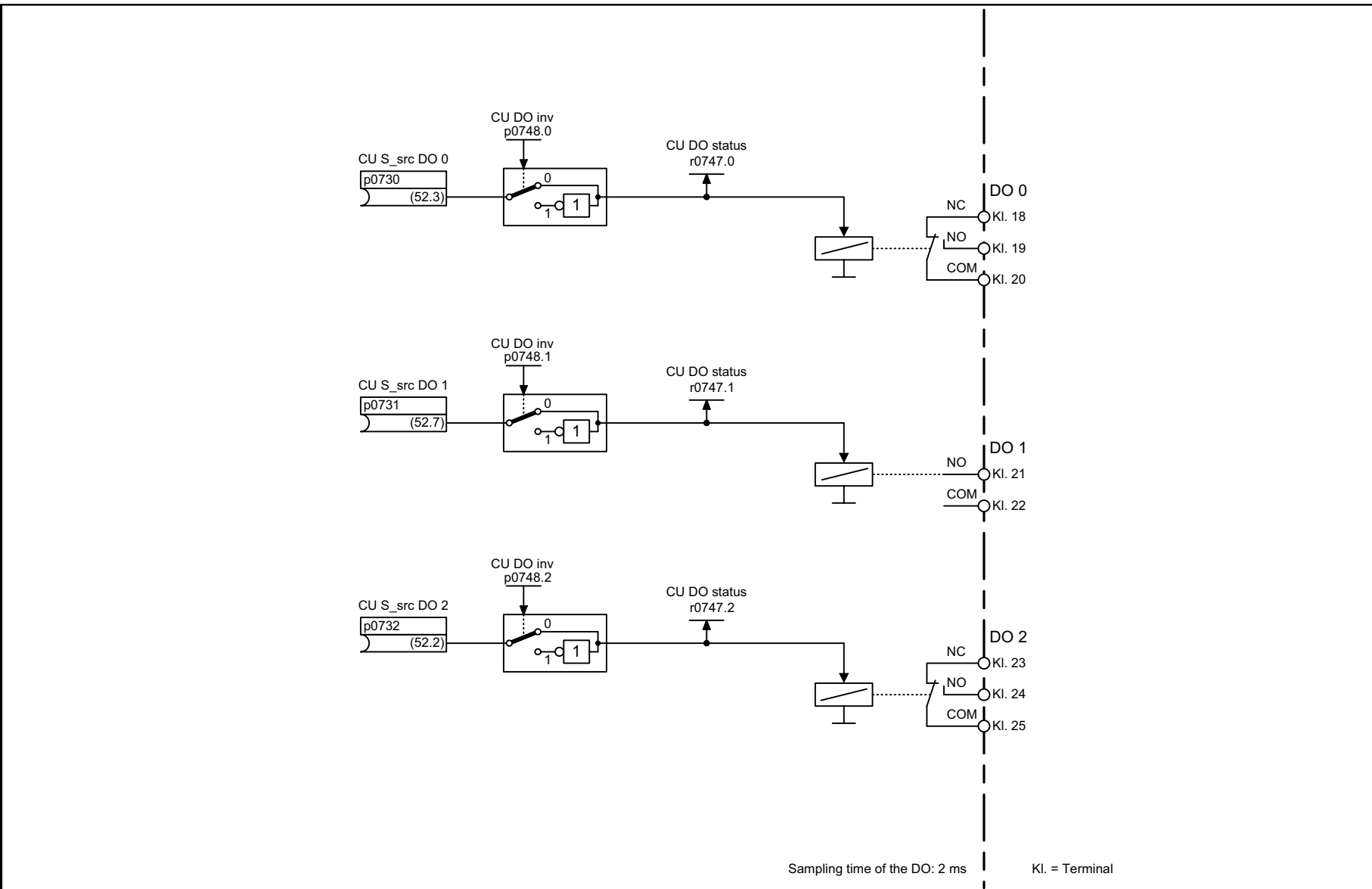
<1> The wiring represented by a dashed line applies for use as a digital output (p0728.x = 1).
 <2> Can be used as fast measuring probe inputs.
 <3> The access authority to the digital output is displayed in r0729.

1	2	3	4	5	6	7	8
Input/Output Terminals					fp_2230_97_03.vsd	Function diagram	
Digital inputs/outputs, bidirectional (DI/DO 24 ... DI/DO 25)					08.04.2014 V4.7	G120 CU250S-2	
- 2230 -							

Fig. 3-8 2230 – Digital inputs/outputs, bidirectional (DI/DO 24 ... DI/DO 25)

Fig. 3-9 2231 – Digital inputs/outputs, bidirectional (DI/DO 26 ... DI/DO 27)



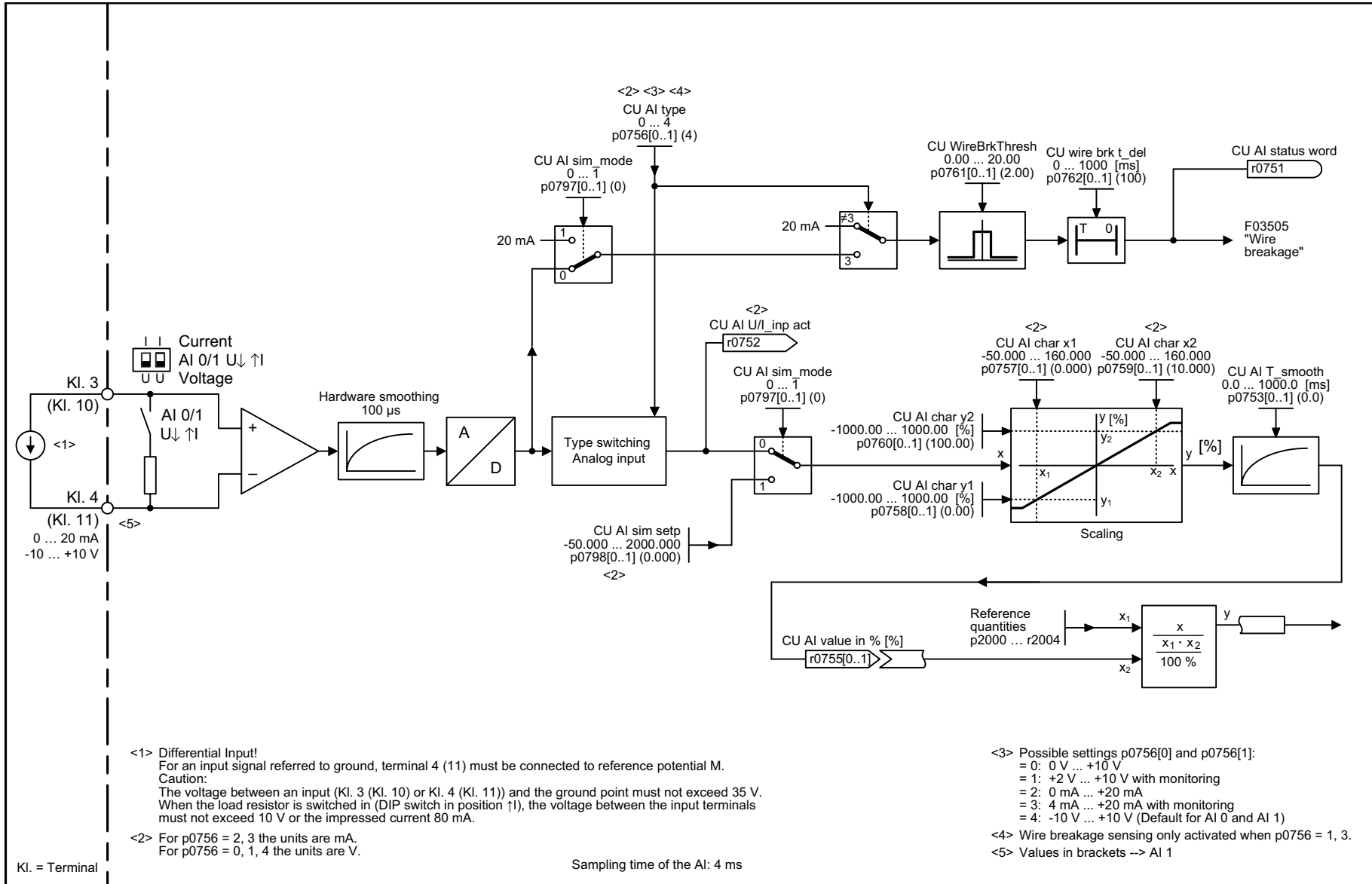


Sampling time of the DO: 2 ms
Kl. = Terminal

1	2	3	4	5	6	7	8
Input/Output Terminals					fp_2242_97_03.vsd	Function diagram	
Digital outputs (DO 0 ... DO 2)					08.04.2014 V4.7	G120 CU250S-2	
- 2242 -							

Fig. 3-10 2242 – Digital outputs (DO 0 ... DO 2)

Fig. 3-11 2251 – Analog inputs 0 ... 1 (AI 0 ... AI 1)



<1> Differential Input!
For an input signal referred to ground, terminal 4 (11) must be connected to reference potential M.
Caution:
The voltage between an input (Kl. 3 (Kl. 10) or Kl. 4 (Kl. 11)) and the ground point must not exceed 35 V.
When the load resistor is switched in (DIP switch in position ↑), the voltage between the input terminals must not exceed 10 V or the impressed current 80 mA.

<2> For p0756 = 2, 3 the units are mA.
For p0756 = 0, 1, 4 the units are V.

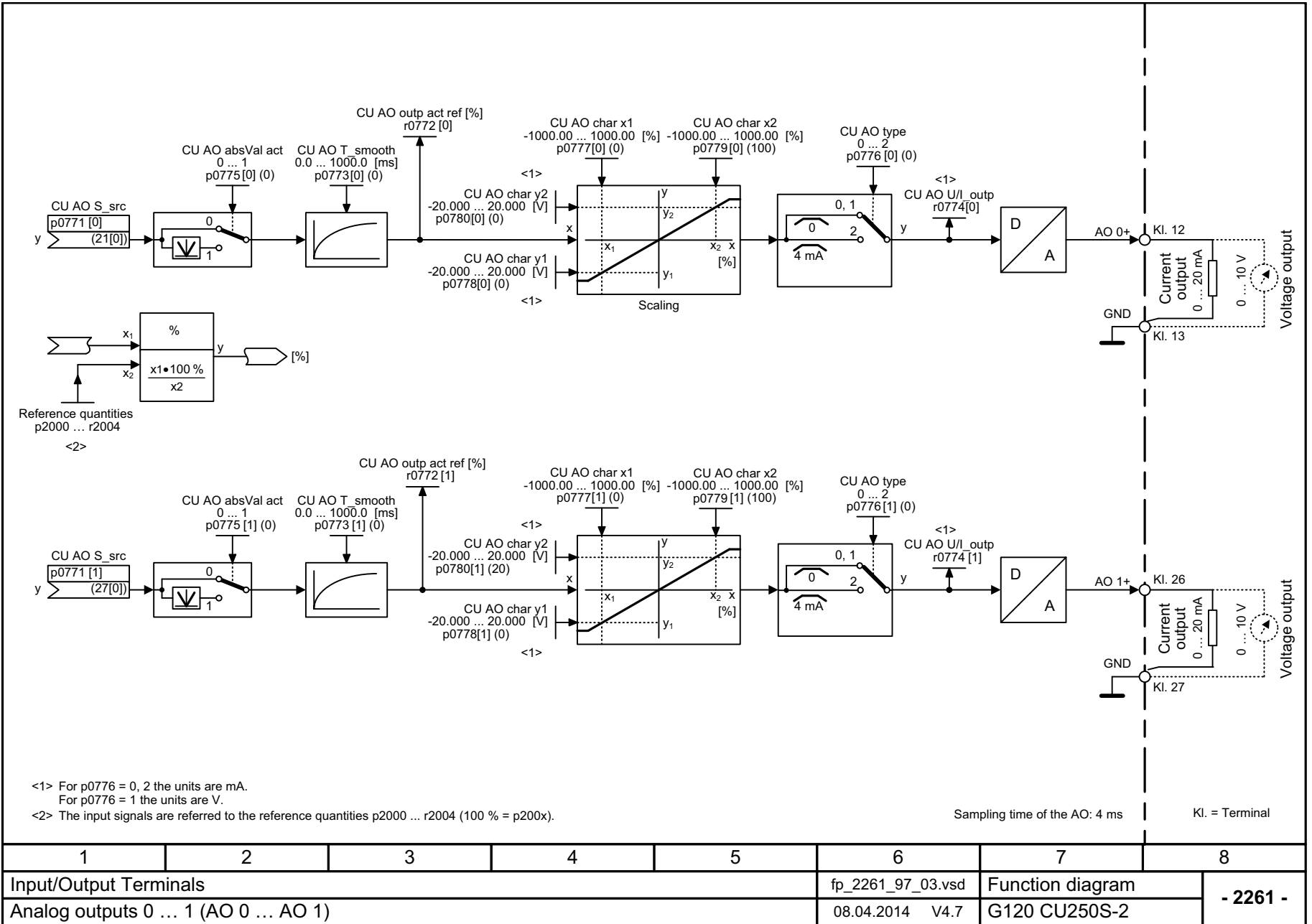
<3> Possible settings p0756[0] and p0756[1]:
= 0: 0 V ... +10 V
= 1: +2 V ... +10 V with monitoring
= 2: 0 mA ... +20 mA
= 3: 4 mA ... +20 mA with monitoring
= 4: -10 V ... +10 V (Default for AI 0 and AI 1)

<4> Wire breakage sensing only activated when p0756 = 1, 3.

<5> Values in brackets --> AI 1

1	2	3	4	5	6	7	8
Input/Output Terminals					fp_2251_97_52.vsd	Function diagram	
Analog inputs 0 ... 1 (AI 0 ... AI 1)					08.04.2014 V4.7	G120 CU250S-2	

- 2251 -



<1> For p0776 = 0, 2 the units are mA.
For p0776 = 1 the units are V.

<2> The input signals are referred to the reference quantities p2000 ... r2004 (100 % = p200x).

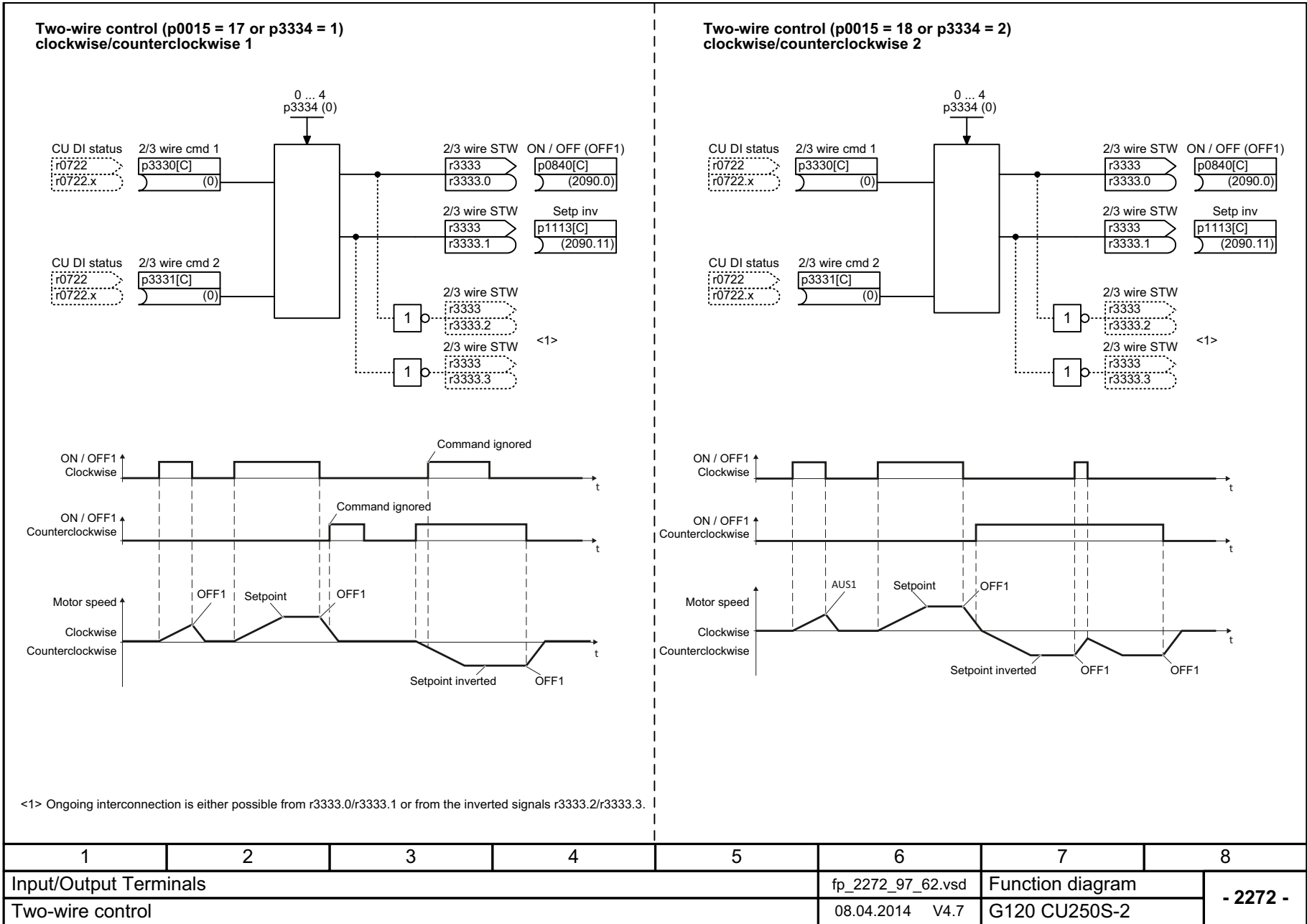
Sampling time of the AO: 4 ms

KI. = Terminal

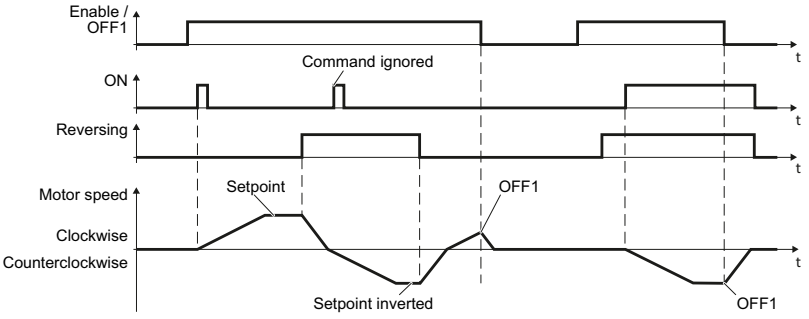
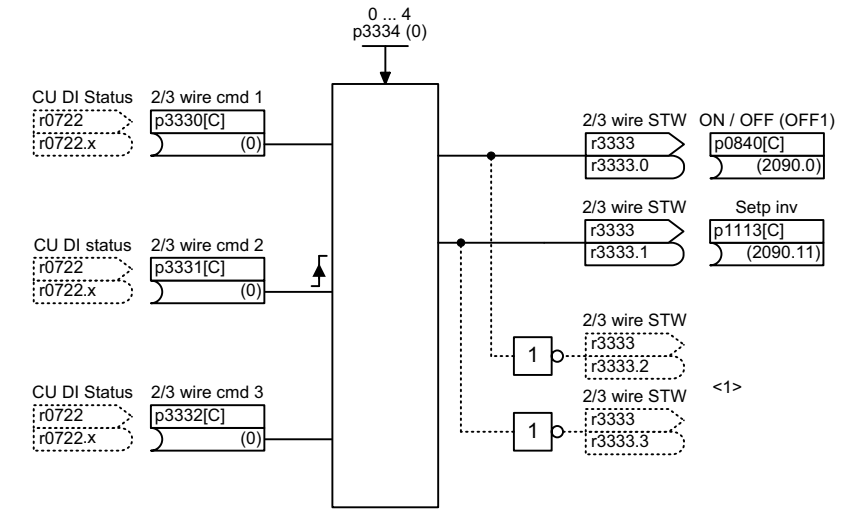
1	2	3	4	5	6	7	8
Input/Output Terminals					fp_2261_97_03.vsd	Function diagram	
Analog outputs 0 ... 1 (AO 0 ... AO 1)					08.04.2014 V4.7	G120 CU250S-2	

Fig. 3-12 2261 – Analog outputs 0 ... 1 (AO 0 ... AO 1)

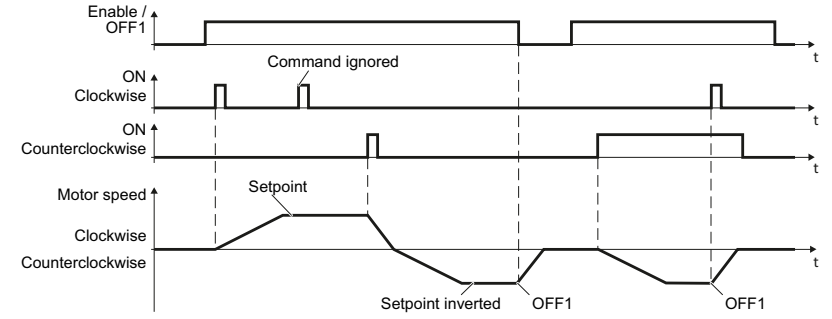
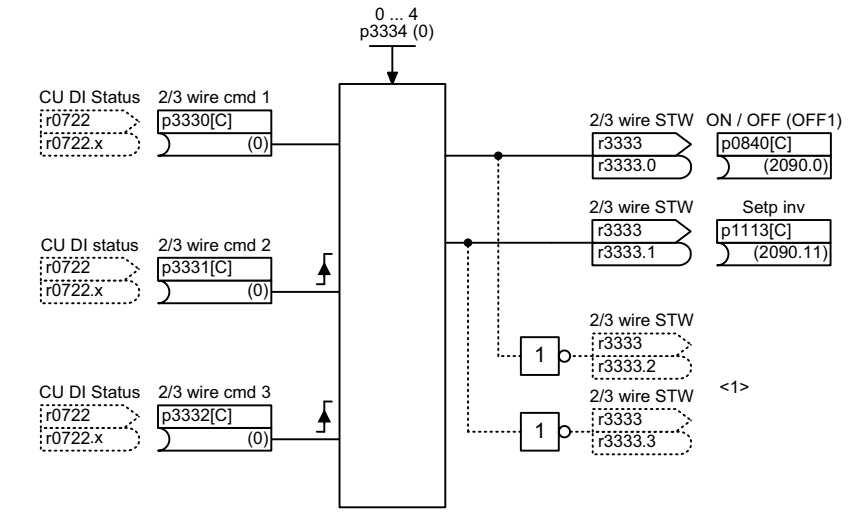
Fig. 3-13 2272 – Two-wire control



Three-wire control (p0015 = 20 or p3334 = 4)
enable ON/reversing



Three-wire control (p0015 = 19 or p3334 = 3)
enable clockwise/counterclockwise



<1> Ongoing interconnection is either possible from r3333.0/r3333.1 or from the inverted signals r3333.2/r3333.3.

1	2	3	4	5	6	7	8
Input/Output Terminals					fp_2273_97_62.vsd	Function diagram	
Three-wire control					08.04.2014 V4.7	G120 CU250S-2	

- 2273 -

Fig. 3-14 2273 – Three-wire control

3.4 PROFlenergy

Function diagrams

2381 – Control commands and interrogation commands	706
--	-----

2382 – States	707
---------------	-----

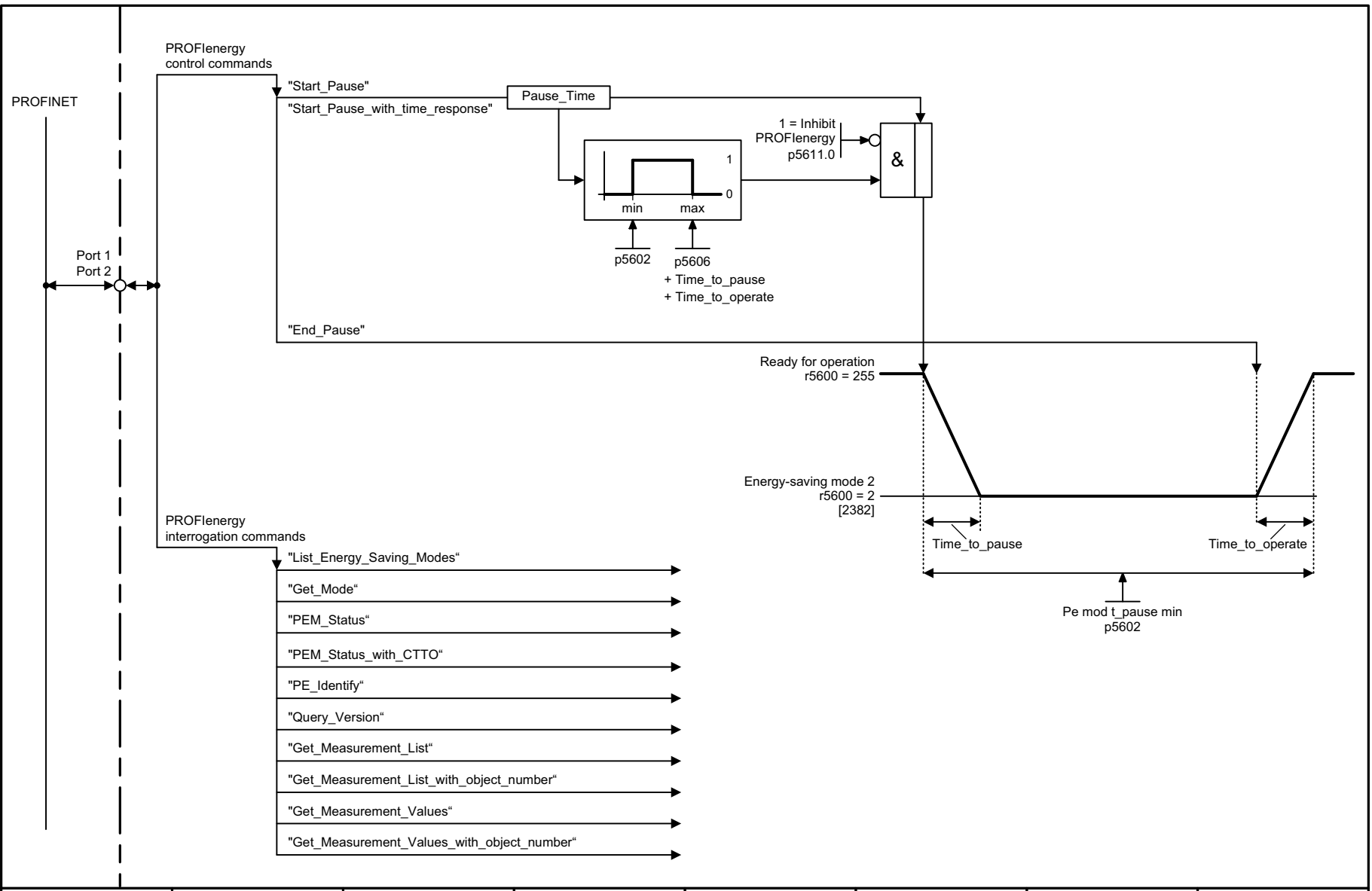
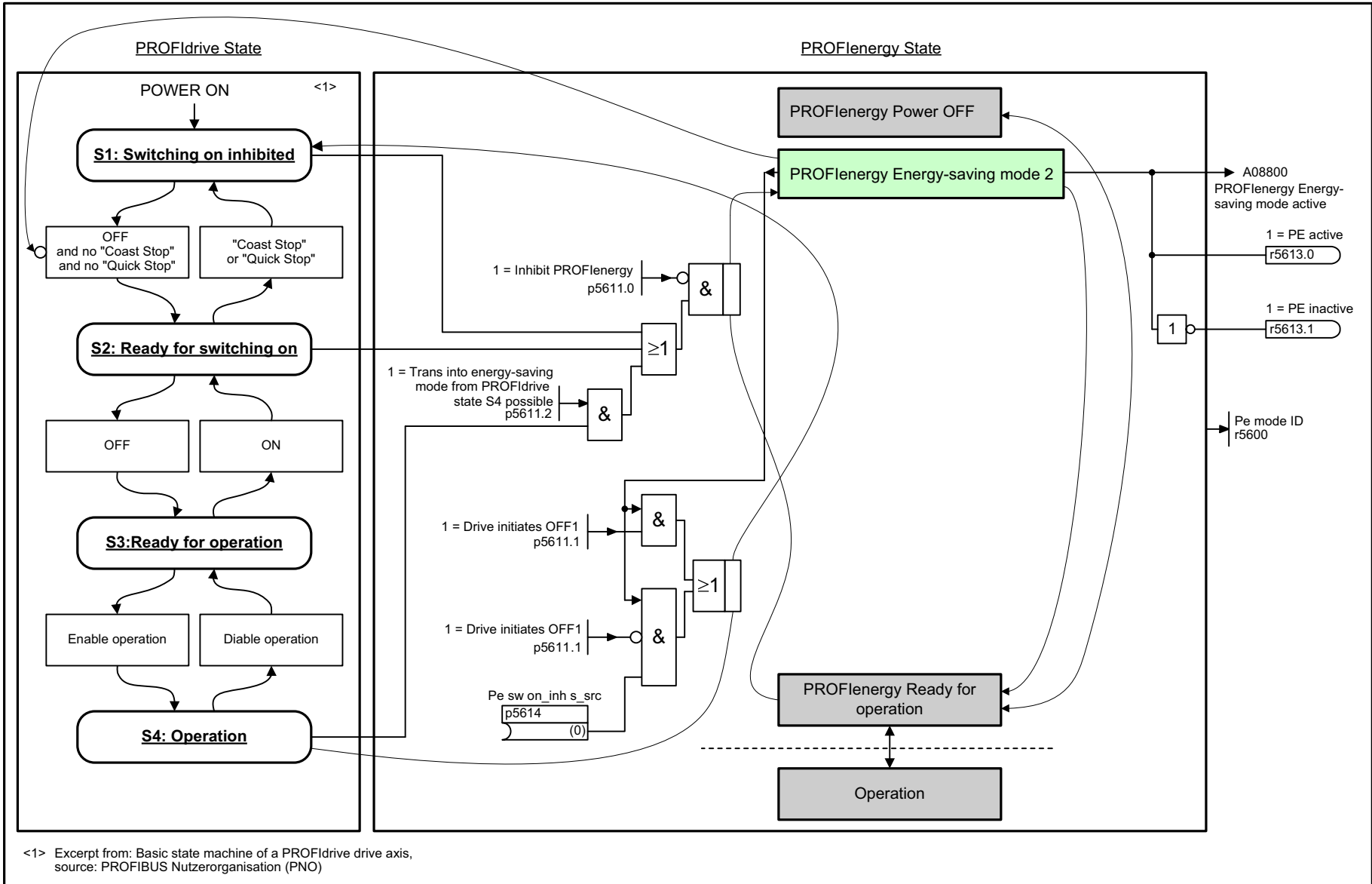


Fig. 3-15 2381 – Control commands and interrogation commands

1	2	3	4	5	6	7	8
PROFlenergy					fp_2381_97_62.vsd	Function diagram	
Control commands and interrogation commands					08.04.2014 V4.7	G120 CU250S-2 PN	
							- 2381 -

Fig. 3-16 2382 – States



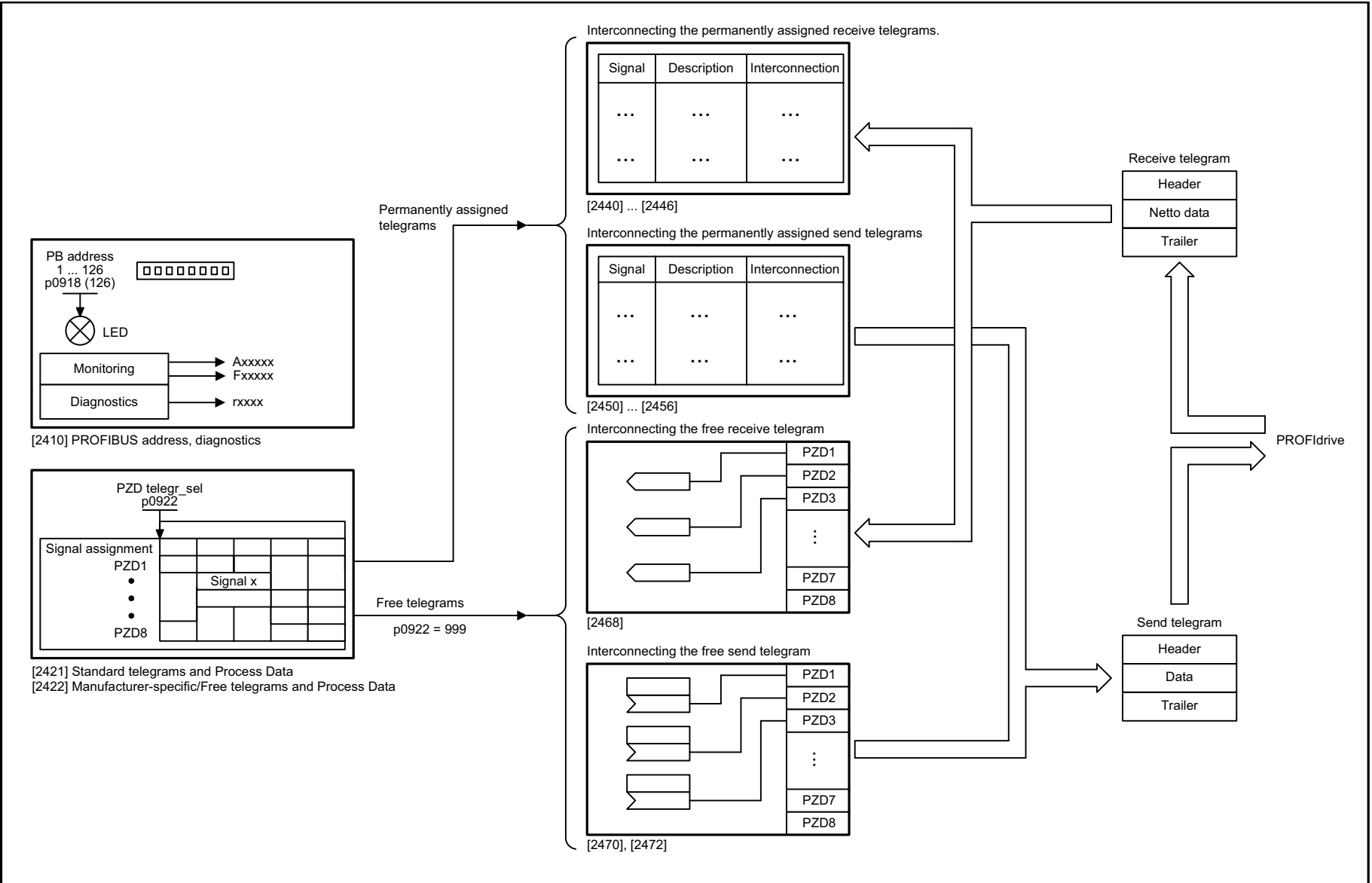
<1> Excerpt from: Basic state machine of a PROFdrive drive axis, source: PROFIBUS Nutzerorganisation (PNO)

1	2	3	4	5	6	7	8
PROFlenergy					fp_2382_97_62.vsd	Function diagram	
States					08.04.2014 V4.7	G120 CU250S-2 PN	
							- 2382 -

3.5 PROFIdrive communication (PROFIBUS/PROFINET)

Function diagrams

2401 – Overview	709
2410 – PROFIBUS (PB) / PROFINET (PN), addresses and diagnostics	710
2421 – Standard telegrams and process data (PZD)	711
2422 – Manufacturer-specific/free telegrams and process data (PZD)	712
2440 – PZD receive signals interconnection	713
2441 – STW1 control word interconnection (p2038 = 2)	714
2442 – STW1 control word interconnection (p2038 = 0)	715
2444 – STW2 control word interconnection (p2038 = 0)	716
2446 – STW3 control word interconnection	717
2450 – PZD send signals interconnection	718
2451 – ZSW1 status word interconnection (p2038 = 2)	719
2452 – ZSW1 status word interconnection (p2038 = 0)	720
2454 – ZSW2 status word interconnection (p2038 = 0)	721
2456 – ZSW3 status word interconnection	722
2460 – MELDW status word interconnection	723
2462 – POS_STW positioning control word interconnection	724
2463 – POS_STW1 positioning control word 1 interconnection	725
2464 – POS_STW2 positioning control word 2 interconnection	726
2465 – POS_ZSW positioning status word interconnection	727
2466 – POS_ZSW1 positioning status word 1 interconnection	728
2467 – POS_ZSW2 positioning status word 2 interconnection	729
2468 – Receive telegram, free interconnection via BICO (p0922 = 999)	730
2470 – Send telegram, free interconnection via BICO (p0922 = 999)	731
2472 – Status words, free interconnection	732
2476 – SATZANW block selection interconnection	733
2477 – AKTSATZ status word interconnection	734
2480 – MDI_MOD - MDI mode interconnection	735



1	2	3	4	5	6	7	8
PROFIdrive (PROFIBUS/PROFINET)					fp_2401_97_61.vsd	Function diagram	
Overview					08.04.2014 V4.7	G120 CU250S-2 DP/PN	
- 2401 -							

Fig. 3-17 2401 – Overview

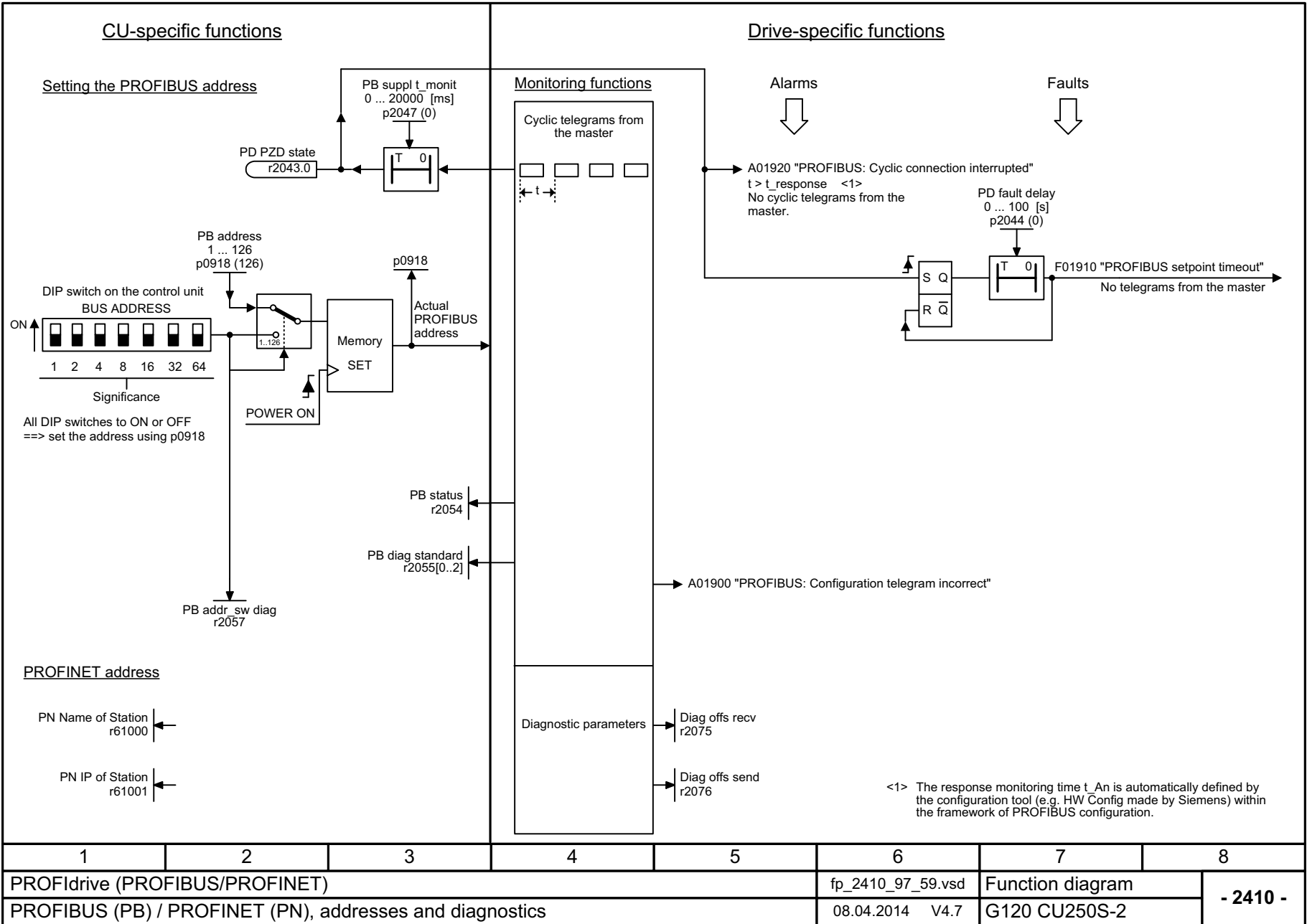


Fig. 3-18 2410 – PROFIBUS (PB) / PROFINET (PN), addresses and diagnostics

1	2	3	4	5	6	7	8
PROFIdrive (PROFIBUS/PROFINET)					fp_2410_97_59.vsd	Function diagram	
PROFIBUS (PB) / PROFINET (PN), addresses and diagnostics					08.04.2014 V4.7	G120 CU250S-2	
							- 2410 -

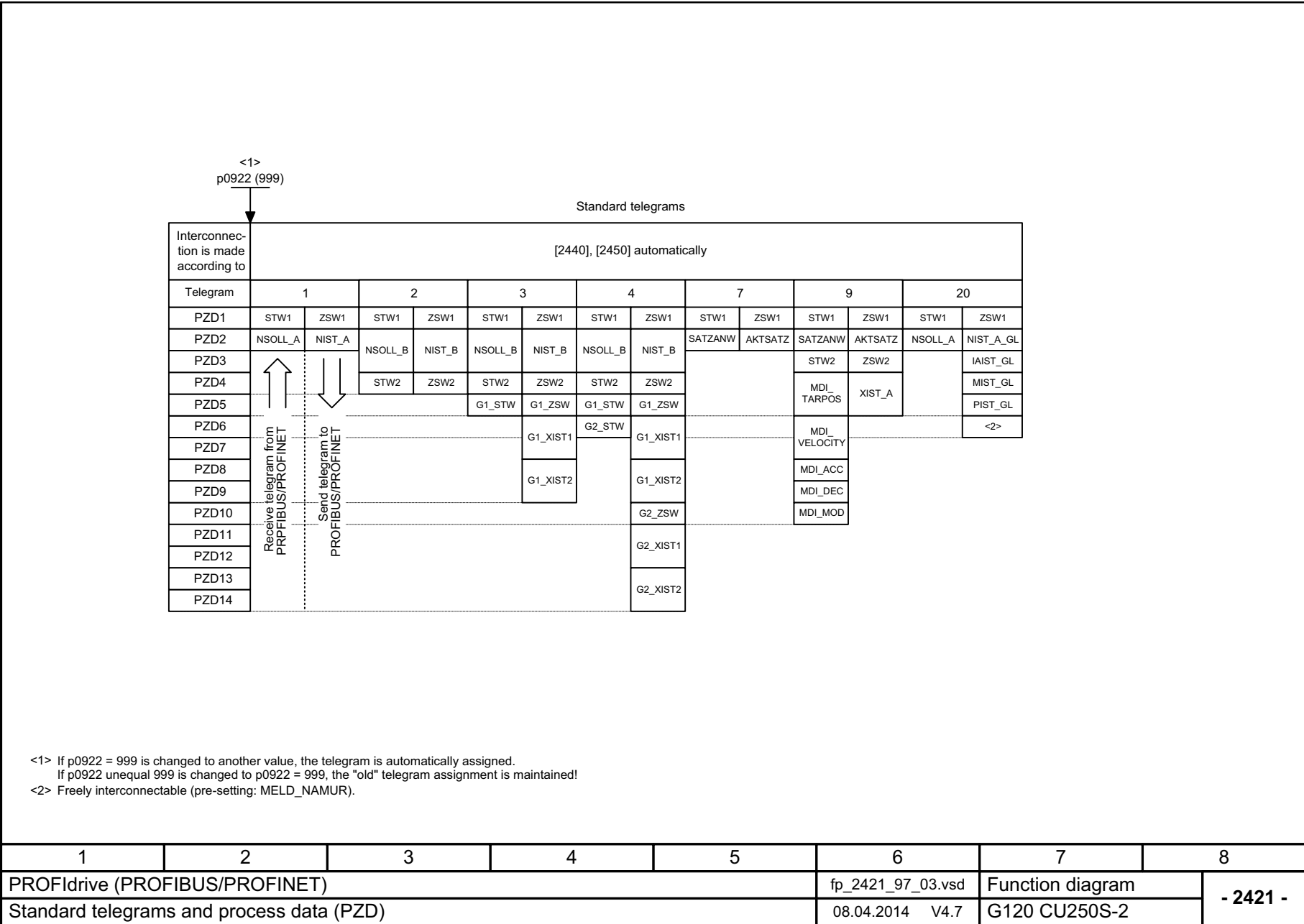


Fig. 3-19 2421 – Standard telegrams and process data (PZD)

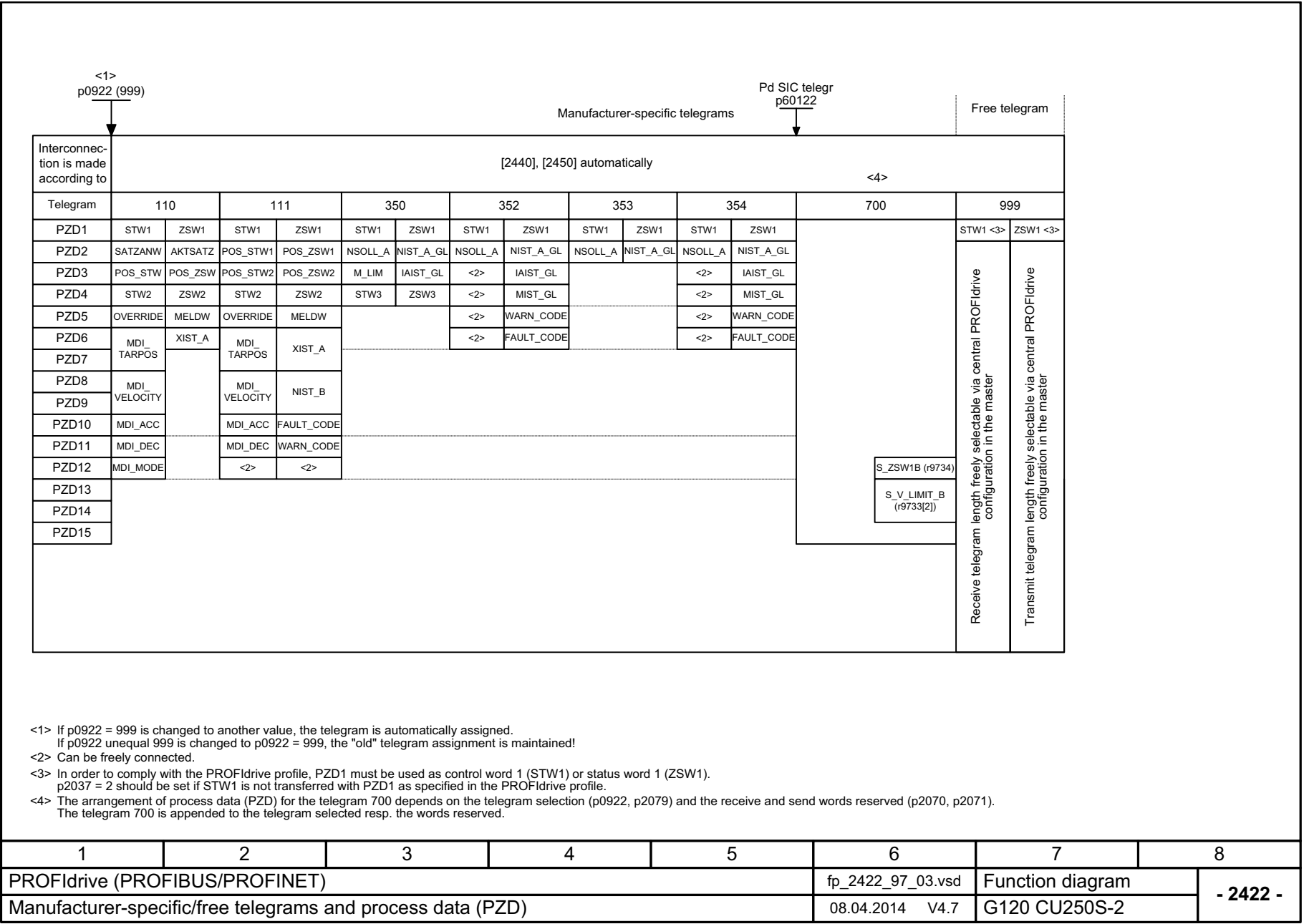
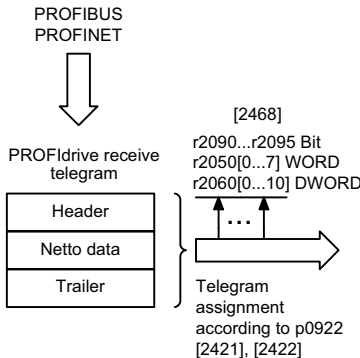


Fig. 3-20 2422 – Manufacturer-specific/free telegrams and process data (PZD)

1	2	3	4	5	6	7	8
PROFIdrive (PROFIBUS/PROFINET)					fp_2422_97_03.vsd	Function diagram	
Manufacturer-specific/free telegrams and process data (PZD)					08.04.2014 V4.7	G120 CU250S-2	
							- 2422 -



Signal receivers for PZD receive signals		<1>		<2>		
Signal	Meaning	PROFIdrive Signal No.	Interconnection parameter	Function diagram	Data type	Scaling
STW1	Control word 1	1	(bit serial)	[2442]	U16	-
STW2	Control word 2	3	(bit serial)	[2444]	U16	-
NSOLL_A	Speed setpoint A (16-bit)	5	p1070 p1155	[3030.2] [3080.4]	I16	4000 hex $\hat{=}$ p2000
NSOLL_B	Speed setpoint B (32-bit)	7	p1070 p1150	[3030.2] [3080.4]	I32	4000 0000 hex $\hat{=}$ p2000
G1_STW	Encoder 1 control word	9	p0480[0]	-	U16	-
G2_STW	Encoder 2 control word	13	p0480[1]	-	U16	-
SATZANW	Block selection	32	(bit serial)	[2476]	U16	-
MDI_TARPOS	MDI target position	34	p2642	[3618]	I32	1 hex $\hat{=}$ 1 LU
MDI_VELOCITY	MDI velocity	35	p2643	[3618]	I32	1 hex $\hat{=}$ 1000 LU/min
MDI_ACC	MDI acceleration	36	p2644	[3618]	I16	4000 hex $\hat{=}$ 100 %
MDI_DEC	MDI deceleration	37	p2645	[3618]	I16	4000 hex $\hat{=}$ 100 %
MDI_MOD	MDI mode specification	38	(bit serial)	[2480]	U16	-
POS_STW	Pos control word	203	(bit serial)	[2462]	U16	4000 hex $\hat{=}$ p2003
OVERRIDE	Pos velocity override	205	p2646	[3630]	I16	4000 hex $\hat{=}$ 100 %
POS_STW1	Pos control word 1	220	(bit serial)	[2463]	U16	-
POS_STW2	Pos control word 2	222	(bit serial)	[2464]	U16	-
STW3	Control word 3	304	(bit serial)	[2446]	U16	-
M_LIM	Torque limit	310	p1552, p1554	[6060.1]	U16	4000 hex $\hat{=}$ 100 %

<1> When selecting a standard telegram or a manufacturer-specific telegram via p0922, these interconnection parameters of the command data set CDS are automatically set to 0.
 <2> Data type according to the PROFIdrive profile: I16 = Integer16, I32 = Integer32, U16 = Unsigned16.

1	2	3	4	5	6	7	8
PROFIdrive (PROFIBUS/PROFINET)					fp_2440_97_03.vsd	Function diagram	
PZD receive signals interconnection					08.04.2014 V4.7	G120 CU250S-2	
							- 2440 -

Fig. 3-21 2440 – PZD receive signals interconnection

Signal targets for STW1 in Interface Mode VIK-NAMUR (p2038 = 2)						<1>
Signal	Meaning	Interconnection parameters	[Function diagram] internal control word	[Function diagram] signal target	Inverted	
STW1.0	▲ = ON (pulses can be enabled) 0 = OFF1 (braking with ramp-function generator, then pulse suppression & ready for switching on)	p0840[0] = r2090.0	[2501.3]	Sequence control	-	
STW1.1	1 = No OFF2 (enable is possible) 0 = OFF2 (immediate pulse suppression and switching on inhibited)	p0844[0] = r2090.1	[2501.3]	Sequence control	-	
STW1.2	1 = No OFF3 (enable is possible) 0 = OFF3 (braking with the OFF3 ramp p1135, then pulse suppression and switching on inhibited)	p0848[0] = r2090.2	[2501.3]	Sequence control	-	
STW1.3	1 = Enable operation (pulses can be enabled) 0 = Inhibit operation (suppress pulses)	p0852[0] = r2090.3	[2501.3]	Sequence control	-	
STW1.4	1 = Ramp-function generator enable 0 = Inhibit ramp-function generator (set the ramp-function generator output to zero)	p1140[0] = r2090.4	[2501.3]	[3060], [3070], [3080]	-	
STW1.5	1 = Continue ramp-function generator 0 = Freezes the ramp-function generator	p1141[0] = r2090.5	[2501.3]	[3060], [3070]	-	
STW1.6	1 = Setpoint enable 0 = Inhibits the setpoint (the ramp-function generator input is set to zero)	p1142[0] = r2090.6	[2501.3]	[3060], [3070], [3080]	-	
STW1.7	▲ = Acknowledge faults	p2103[0] = r2090.7	[2546.1]	[8060]	-	
STW1.8	Reserved	-	-	-	-	
STW1.9	Reserved	-	-	-	-	
STW1.10	1 = Control via PLC <2>	p0854[0] = r2090.10	[2501.3]	[2501]	-	
STW1.11	1 = Dir of rot reversal <4>	p1113[0] = r2090.11	[2505.3]	[3040]	-	
STW1.12	Reserved	-	-	-	-	
STW1.13	Reserved	-	-	-	-	
STW1.14	Reserved	-	-	-	-	
STW1.15	1 = CDS selection	p0810[0] = 2090.15 <3>	-	[8565]	-	

<1> Used in telegram 20.
 <2> Bit 10 in STW1 must be set to ensure that the drive accepts the process data.
 <3> Interconnection is not disabled.
 <4> The direction reversal can be locked. See p1110 and p1111.

1	2	3	4	5	6	7	8
PROFIdrive (PROFIBUS/PROFINET)					fp_2441_97_61.vsd	Function diagram	
STW1 control word interconnection (p2038 = 2)					08.04.2014 V4.7	G120 CU250S-2	
							- 2441 -

Fig. 3-22 2441 – STW1 control word interconnection (p2038 = 2)

Signal targets for STW1 in Interface Mode SINAMICS (p2038 = 0)					
Signal	Meaning	Interconnection parameters	[Function diagram] internal control word	[Function diagram] signal target	Inverted
STW1.0	1 = ON (pulses can be enabled) 0 = OFF1 (braking with ramp-function generator, then pulse suppression & ready for switching on)	p0840[0] = r2090.0	[2501.3]	Sequence control	-
STW1.1	1 = No OFF2 (enable is possible) 0 = OFF2 (immediate pulse suppression and switching on inhibited)	p0844[0] = r2090.1	[2501.3]	Sequence control	-
STW1.2	1 = No OFF3 (enable is possible) 0 = OFF3 (braking with the OFF3 ramp p1135, then pulse suppression and switching on inhibited)	p0848[0] = r2090.2	[2501.3]	Sequence control	-
STW1.3	1 = Enable operation (pulses can be enabled) 0 = Inhibit operation (suppress pulses)	p0852[0] = r2090.3	[2501.3]	Sequence control	-
STW1.4	1 = Ramp-function generator enable 0 = Inhibit ramp-function generator (set the ramp-function generator output to zero)	p1140[0] = r2090.4	[2501.3]	[3060], [3070], [3080]	-
STW1.5	1 = Continue ramp-function generator 0 = Freezes the ramp-function generator	p1141[0] = r2090.5	[2501.3]	[3060], [3070]	-
STW1.6	1 = Setpoint enable 0 = Inhibits the setpoint (the ramp-function generator input is set to zero)	p1142[0] = r2090.6	[2501.3]	[3060], [3070], [3080]	-
STW1.7	1 = Acknowledge faults	p2103[0] = r2090.7	[2546.1]	[8060]	-
STW1.8	Reserved	-	-	-	-
STW1.9	Reserved	-	-	-	-
STW1.10	1 = Control via PLC <1>	p0854[0] = r2090.10	[2501.3]	[2501]	-
STW1.11	1 = Dir of rot reversal <2>	p1113[0] = r2090.11	[2505.3]	[3040]	-
STW1.12	Reserved	-	-	-	-
STW1.13	1 = Motorized potentiometer, setpoint, raise	p1035[0] = r2090.13	[2505.3]	[3020]	-
STW1.14	1 = Motorized potentiometer, setpoint, lower	p1036[0] = r2090.14	[2505.3]	[3020]	-
STW1.15	Reserved	-	-	-	-

<1> Bit 10 in STW1 must be set to ensure that the drive accepts the process data.
 <2> The direction reversal can be locked. See p1110 and p1111.

1	2	3	4	5	6	7	8
PROFIdrive (PROFIBUS/PROFINET)					fp_2442_97_61.vsd	Function diagram	
STW1 control word interconnection (p2038 = 0)					08.04.2014 V4.7	G120 CU250S-2	
							- 2442 -

Fig. 3-23 2442 – STW1 control word interconnection (p2038 = 0)

Signal targets for STW2 in Interface Mode SINAMICS (p2038 = 0)							
Signal	Meaning	Interconnection parameters	[Function diagram] internal control word	[Function diagram] signal target	Inverted		
STW2.0	Drive Data Set selection DDS bit 0	p0820[0] = r2093.0	-	[8565]	-		
STW2.1	Drive Data Set selection DDS bit 1	p0821[0] = r2093.1	-	[8565]	-		
STW2.2	Reserved	-	-	-	-		
STW2.3	Reserved	-	-	-	-		
STW2.4	Reserved	-	-	-	-		
STW2.5	Reserved	-	-	-	-		
STW2.6	Reserved	-	-	-	-		
STW2.7	1 = Parking axis is selected	p0897 = r2093.7	-	-	-		
STW2.8	1 = Traverse to fixed endstop active	p1545[0] = r2093.8	[2520.2]	[8012]	-		
STW2.9	Reserved	-	-	-	-		
STW2.10	Reserved	-	-	-	-		
STW2.11	Reserved	-	-	-	-		
STW2.12	Master sign-of-life, bit 0	p2045 = r2050[3]	-	[2410]	-		
STW2.13	Master sign-of-life, bit 1						
STW2.14	Master sign-of-life, bit 2						
STW2.15	Master sign-of-life, bit 3						
1	2	3	4	5	6	7	8
PROFIdrive (PROFIBUS/PROFINET)			fp_2444_97_03.vsd		Function diagram		- 2444 -
STW2 control word interconnection (p2038 = 0)			08.04.2014 V4.7		G120 CU250S-2		

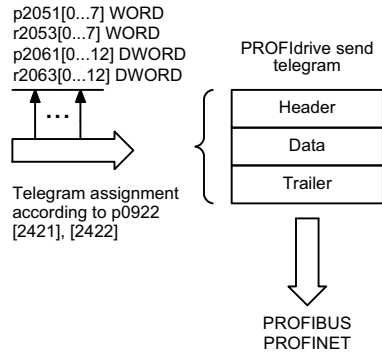
Fig. 3-24 2444 – STW2 control word interconnection (p2038 = 0)

Signal targets for STW3 in Interface Mode SINAMICS						<1>
Signal	Meaning	Interconnection parameters	[Function diagram] internal control word	[Function diagram] signal target	Inverted	
STW3.0	1 = Fixed setp bit 0	p1020[0] = r2093.0	[3010.2]	[3010.2]	-	
STW3.1	1 = Fixed setp bit 1	p1021[0] = r2093.1	[2513.2]	[3010.2]	-	
STW3.2	1 = Fixed setp bit 2	p1022[0] = r2093.2	[2513.2]	[3010.2]	-	
STW3.3	1 = Fixed setp bit 3	p1023[0] = r2093.3	[2513.2]	[3010.2]	-	
STW3.4	1 = DDS select. bit 0	p0820 = r2093.4	[2513.2]	[8565.2]	-	
STW3.5	1 = DDS select. bit 1	p0821 = r2093.5	[2513.2]	[8565.2]	-	
STW3.6	Reserved	-	-	-	-	
STW3.7	Reserved	-	-	-	-	
STW3.8	1 = Technology controller enable	p2200[0] = r2093.8	[2513.2]	[7958.4]	-	
STW3.9	1 = DC braking active	p1230[0] = r2093.9	[2513.2]	[7017.1]	-	
STW3.10	Reserved	-	-	-	-	
STW3.11	1 = Droop enable	p1492[0] = r2093.11	[2513.2]	[6030.1]	-	
STW3.12	1 = Torque control	p1501[0] = r2093.12	[2513.2]	[6060.1]	-	
STW3.13	0 = External fault 1 (F07860)	p2106[0] = r2093.13	[2513.2]	[8060.1]	-	
STW3.14	Reserved	-	-	-	-	
STW3.15	1 = CDS bit 1	p0811[0] = r2093.15	[2513.2]	[8560.3]	-	

<1> Used in telegram 350.

1	2	3	4	5	6	7	8
PROFIdrive (PROFIBUS/PROFINET)					fp_2446_97_51.vsd	Function diagram	
STW3 control word interconnection					08.04.2014 V4.7	G120 CU250S-2	
							- 2446 -

Fig. 3-25 2446 – STW3 control word interconnection



Signal sources for PZD send signals						
Signal	Description	PROFIdrive Signal No.	Interconnection parameter	Function diagram	Data type	Scaling
ZSW1	Status word 1	2	r2089[0]	[2451], [2452]	U16	-
ZSW2	Status word 2	4	r2089[1]	[2454]	U16	-
NIST_A	Actual speed A (16 bit)	6	r0063[0]	[4715]	I16	4000 hex $\hat{=}$ p2000
NIST_B	Actual speed B (32 bit)	8	r0063[0]	[4715]	I32	4000 0000 hex $\hat{=}$ p2000
G1_ZSW	Encoder 1 status word	10	r0481[0]	[4730]	U16	
G1_XIST1	Encoder 1 position actual value 1	11	r0482[0]	[4704]	U32	-
G1_XIST2	Encoder 1 position actual value 2	12	r0483[0]	[4704]	U32	-
G2_ZSW	Encoder 2 status word	14	r0481[1]	[4730]	U16	-
G2_XIST1	Encoder 2 position actual value 1	15	r0482[1]	[4704]	U32	-
G2_XIST2	Encoder 2 position actual value 2	16	r0483[1]	[4704]	U32	-
XIST_A	Position actual value A	28	r2521[0]	[4010]	I32	1 hex $\hat{=}$ 1 LU
AKTSATZ	Active traversing block	33	r2670	[3650]	U16	-
IAIST_GLATT	Absolute actual current, smoothed	51	r0068[1]	[6799]	I16	4000 hex $\hat{=}$ p2002
MIST_GLATT	Actual torque smoothed	53	r0080[1]	[6799]	I16	4000 hex $\hat{=}$ p2003
PIST_GLATT	Actual active power, smoothed	54	r0082[1]	[6799]	I16	4000 hex $\hat{=}$ p2004
NIST_A_GLATT	Actual speed, smoothed	57	r0063[1]	[6799]	I16	4000 hex $\hat{=}$ p2000
MELD_NAMUR	VIK-NAMUR message bit bar	58	r3113	-	U16	-
FAULT_CODE	Fault code	301	r2131	[8060]	U16	-
WARN_CODE	Alarm code	303	r2132	[8065]	U16	-
ZSW3	Status word 3	305	r0053	[2456]	U16	-

<1> Data type according to the PROFIdrive profile: I16 = Integer16, I32 = Integer32, U16 = Unsigned16, U32 = Unsigned32.

1	2	3	4	5	6	7	8
PROFIdrive (PROFIBUS/PROFINET)					fp_2450_97_03.vsd	Function diagram	
PZD send signals interconnection					08.04.2014 V4.7	G120 CU250S-2	
							- 2450 -

Fig. 3-26 2450 – PZD send signals interconnection

Signal sources for ZSW1 in Interface Mode VIK-NAMUR (p2038 = 2)							
Signal	Meaning	Interconnection parameters	[Function diagram] internal control word	[Function diagram] signal target	Inverted <1>		
ZSW1.0	1 = Ready for switching on	p2080[0] = r0899.0	[2503.7]	Sequence control	-		
ZSW1.1	1 = Ready for operation (DC link loaded, pulses inhibited)	p2080[1] = r0899.1	[2503.7]	Sequence control	-		
ZSW1.2	1 = Operation enabled (drive follows n_set)	p2080[2] = r0899.2	[2503.7]	Sequence control	-		
ZSW1.3	1 = Fault present	p2080[3] = r2139.3	[2548.7]	[8060]	-		
ZSW1.4	1 = No coast down active (OFF2 inactive)	p2080[4] = r0899.4	[2503.7]	Sequence control	-		
ZSW1.5	1 = No Quick stop active (OFF3 inactive)	p2080[5] = r0899.5	[2503.7]	Sequence control	-		
ZSW1.6	1 = Switching on inhibited active	p2080[6] = r0899.6	[2503.7]	Sequence control	-		
ZSW1.7	1 = Alarm present	p2080[7] = r2139.7	[2548.7]	[8065]	-		
ZSW1.8	1 = Speed setpoint - actual value deviation within tolerance t_off	p2080[8] = r2197.7	[2534.7]	[8011]	-		
ZSW1.9	1 = Control requested	p2080[9] = r0899.9	[2503.7]	[2503]	-		
ZSW1.10	1 = f or n comparison value reached/exceeded	p2080[10] = r2199.1	[2537.7]	[8010]	-		
ZSW1.11	1 = I, M, or P limit not reached	p2080[11] = r0056.13	[2522.7]	[6060]	✓		
ZSW1.12	Reserved	-	-	-	-		
ZSW1.13	1 = No motor overtemperature alarm	p2080[13] = r2135.14	[2548.7]	[8016]	✓		
ZSW1.14	1 = Motor rotates forwards (n_act ≥ 0) 0 = Motor rotates backwards (n_act < 0)	p2080[14] = r2197.3	[2534.7]	[8011]	-		
ZSW1.15	1 = Display CDS	p2080[15] = r0836.0 <2>	-	-	-		
<1> The ZSW1 is generated using the binector-connector converter (BI: p2080[0...15], inversion: p2088[0]..p2088[0].15) <2> Interconnection is not disabled.							
1	2	3	4	5	6	7	8
PROFIdrive (PROFIBUS/PROFINET)					fp_2451_97_61.vsd	Function diagram	
ZSW1 status word interconnection (p2038 = 2)					08.04.2014 V4.7	G120 CU250S-2	
							- 2451 -

Fig. 3-27 2451 – ZSW1 status word interconnection (p2038 = 2)

Signal sources for ZSW1 im Interface Mode SINAMICS (p2038 = 0)					
Signal	Meaning	Interconnection parameters	[Function diagram] internal control word	[Function diagram] signal target	Inverted <1>
ZSW1.0	1 = Ready for switching on	p2080[0] = r0899.0	[2503.7]	Sequence control	-
ZSW1.1	1 = Ready for operation (DC link loaded, pulses inhibited)	p2080[1] = r0899.1	[2503.7]	Sequence control	-
ZSW1.2	1 = Operation enabled (drive follows n_set)	p2080[2] = r0899.2	[2503.7]	Sequence control	-
ZSW1.3	1 = Fault present	p2080[3] = r2139.3	[2548.7]	[8060]	-
ZSW1.4	1 = No coast down active (OFF2 inactive)	p2080[4] = r0899.4	[2503.7]	Sequence control	-
ZSW1.5	1 = No Quick stop active (OFF3 inactive)	p2080[5] = r0899.5	[2503.7]	Sequence control	-
ZSW1.6	1 = Switching on inhibited active	p2080[6] = r0899.6	[2503.7]	Sequence control	-
ZSW1.7	1 = Alarm present	p2080[7] = r2139.7	[2548.7]	[8065]	-
ZSW1.8	1 = Speed setpoint - actual value deviation within tolerance t_off	p2080[8] = r2197.7	[2534.7]	[8011]	-
ZSW1.9	1 = Control requested <2>	p2080[9] = r0899.9	[2503.7]	[2503]	-
ZSW1.10	1 = f or n comparison value reached/exceeded	p2080[10] = r2199.1	[2536.7]	[8010]	-
ZSW1.11	1 = I, M, or P limit not reached	p2080[11] = r1407.7	[2522.7]	[6060]	✓
ZSW1.12	1 = Open holding brake	p2080[12] = r0899.12	[2503.7]	[2701]	-
ZSW1.13	1 = No motor overtemperature alarm	p2080[13] = r2135.14	[2548.7]	[8016]	✓
ZSW1.14	1 = Motor rotates forwards (n_act ≥ 0) 0 = Motor rotates backwards (n_act < 0)	p2080[14] = r2197.3	[2534.7]	[8011]	-
ZSW1.15	1 = No alarm, thermal overload, power unit	p2080[15] = r2135.15	[2548.7]	[8014]	✓

<1> The ZSW1 is generated using the binector-connector converter (BI: p2080[0...15], inversion: p2088[0]...p2088[0].15).

<2> The drive is ready to accept data.

1	2	3	4	5	6	7	8
PROFIdrive (PROFIBUS/PROFINET)					fp_2452_97_61.vsd	Function diagram	
ZSW1 status word interconnection (p2038 = 0)					08.04.2014 V4.7	G120 CU250S-2	
							- 2452 -

Fig. 3-28 2452 – ZSW1 status word interconnection (p2038 = 0)

Signal sources for ZDSW2 im Interface Mode SINAMICS (p2038 = 0)							
Signal	Meaning	Interconnection parameters	[Function diagram] internal control word	[Function diagram] signal target	Inverted		
ZSW2.0	1 = DDS effective bit 0	p2081[0] = r0051.0	-	[8565]	-		
ZSW2.1	1 = DDS effective bit 1	p2081[1] = r0051.1	-	-	-		
ZSW2.2	Reserved	-	-	-	-		
ZSW2.3	Reserved	-	-	-	-		
ZSW2.4	Reserved	-	-	-	-		
ZSW2.5	1 = Alarm class bit 0	p2081[5] = r2139.11	[2548.6]	-	-		
ZSW2.6	1 = Alarm class bit 1	p2081[6] = r2139.12	[2548.6]	-	-		
ZSW2.7	Reserved	-	-	-	-		
ZSW2.8	1 = Travel to fixed stop active	p2081[8] = r1406.8	[2520.6]	[8012]	-		
ZSW2.9	Reserved	-	-	-	-		
ZSW2.10	1 = Pulses enabled	p2081[10] = r0899.11	[2503.7]	-	-		
ZSW2.11	Reserved	-	-	-	-		
<1> {	ZSW2.12	Slave sign-of-life, bit 0	Implicitly interconnected	-	-	-	
	ZSW2.13	Slave sign-of-life, bit 1					
	ZSW2.14	Slave sign-of-life, bit 2					
	ZSW2.15	Slave sign-of-life, bit 3					
<1> These signals are automatically interconnected for clock-cycle synchronous operation.							
1	2	3	4	5	6	7	8
PROFIdrive (PROFIBUS/PROFINET)				fp_2454_97_55.vsd		Function diagram	
ZSW2 status word interconnection (p2038 = 0)				08.04.2014 V4.7		G120 CU250S-2	
							- 2454 -

Fig. 3-29 2454 – ZSW2 status word interconnection (p2038 = 0)

Signal sources for ZSW3 im Interface Mode SINAMICS						<1>	
Signal	Meaning	Interconnection parameters	[Function diagram] internal status word	[Function diagram] signal source	Inverted		
ZSW3.0	1 = DC braking active	p2051[3] = r0053	[2511.7]	[7017.5]	-	1	2
ZSW3.1	1 = n_act > p1226 (n_standstill)		[2511.7]	[2534.7]	-		
ZSW3.2	1 = n_act > p1080 (n_min)		[2511.7]	[2534.7]	-		
ZSW3.3	1 = l_act >= p2170		[2511.7]	[2534.7]	-		
ZSW3.4	1 = n_act > p2155		[2511.7]	[2534.7]	-		
ZSW3.5	1 = n_act <= p2155		[2511.7]	[2534.7]	-		
ZSW3.6	1 = n_act >= r1119 (n_set)		[2511.7]	[2534.7]	-		
ZSW3.7	1 = Vdc <= p2172		[2511.7]	[2534.7]	-		
ZSW3.8	1 = Vdc > p2172		[2511.7]	[2534.7]	-		
ZSW3.9	1 = Ramping finished		[2511.7]	[3080.7]	-		
ZSW3.10	1 = Technology controller output at the lower limit		[2511.7]	[7958.7]	-		
ZSW3.11	1 = Technology controller output at the upper limit		[2511.7]	[7958.7]	-		
ZSW3.12	Reserved		-	-	-		
ZSW3.13	Reserved		-	-	-		
ZSW3.14	Reserved		-	-	-		
ZSW3.15	Reserved	-	-	-			

<1> Used in telegram 350.

1	2	3	4	5	6	7	8
PROFIdrive (PROFIBUS/PROFINET)					fp_2456_97_61.vsd	Function diagram	
ZSW3 status word interconnection					08.04.2014 V4.7	G120 CU250S-2	

Fig. 3-30 2456 – ZSW3 status word interconnection

Signal sources for MELDW <1>					
Signal	Meaning	Interconnection parameters	[Function diagram] internal control word	[Function diagram] signal target	Inverted
MELDW.0	1 = Ramp-up/ramp-down completed	p2082[0] = r2199.5	[2537.7]	[8011]	-
MELDW.1	1 = Torque utilization < torque threshold value 2 (p2194)	p2082[1] = r2199.11	[2537.7]	[8012]	-
MELDW.2	1 = n_act < speed threshold value 3 (p2161)	p2082[2] = r2199.0	[2537.7]	[8010]	-
MELDW.3	1 = n_act > speed threshold value 2 (p2155)	p2082[3] = r2197.1	[2534.7]	[8010]	-
MELDW.4	1 = Vdc_min controller active <2>	p2082[4] = r0056.15	[2526.7]	[6220]	-
MELDW.5	Reserved	-	-	-	-
MELDW.6	1 = No motor overtemperature alarm	p2082[6] = r2135.14	[2548.7]	[8016]	✓
MELDW.7	1 = No alarm, thermal overload, power unit	p2082[7] = r2135.15	[2548.7]	[8014]	✓
MELDW.8	1 = Speed setpoint - actual value deviation within tolerance t_on	p2082[8] = r2199.4	[2537.7]	[8011]	-
MELDW.9	Reserved	-	-	-	-
MELDW.10	Reserved	-	-	-	-
MELDW.11	1 = Controller enable	p2082[11] = r0899.8	[2503.7]	[2610]	-
MELDW.12	1 = Drive ready	p2082[12] = r0899.7	[2503.7]	[2610]	-
MELDW.13	1 = Pulses enabled	p2082[13] = r0899.11	[2503.7]	[2610]	-
MELDW.14	Reserved	-	-	-	-
MELDW.15	Reserved	-	-	-	-

<1> Used in telegrams 110, 111.
<2> PM240

1	2	3	4	5	6	7	8
PROFIdrive (PROFIBUS/PROFINET)					fp_2460_97_03.vsd	Function diagram	
MELDW status word interconnection					08.04.2014 V4.7	G120 CU250S-2	
							- 2460 -

Fig. 3-31 2460 – MELDW status word interconnection

Signal targets for POS_STW (positioning mode) <1>					
Signal	Meaning	Interconnection parameters	[Function diagram] internal control word	[Function diagram] signal target	Inverted
POS_STW.0	1 = Activate Tracking mode	p2655[0] = r2092.0	-	[3635]	-
POS_STW.1	1 = Set home position	p2596 = r2092.1	-	[3612]	-
POS_STW.2	1 = Reference cam active	p2612 = r2092.2	-	[3612]	-
POS_STW.3	Reserved	-	-	-	-
POS_STW.4	Reserved	-	-	-	-
POS_STW.5	1 = Jogging, incremental active	p2591 = r2092.5	-	[3610]	-
POS_STW.6	Reserved	-	-	-	-
POS_STW.7	Reserved	-	-	-	-
POS_STW.8	Reserved	-	-	-	-
POS_STW.9	Reserved	-	-	-	-
POS_STW.10	Reserved	-	-	-	-
POS_STW.11	Reserved	-	-	-	-
POS_STW.12	Reserved	-	-	-	-
POS_STW.13	Reserved	-	-	-	-
POS_STW.14	Reserved	-	-	-	-
POS_STW.15	Reserved	-	-	-	-

<1> Used in telegram 110.

1	2	3	4	5	6	7	8
PROFIdrive (PROFIBUS/PROFINET)					fp_2462_97_55.vsd	Function diagram	
POS_STW positioning control word interconnection					08.04.2014 V4.7	G120 CU250S-2	
							- 2462 -

Fig. 3-32 2462 – POS_STW positioning control word interconnection

Signal targets for POS_STW1 (positioning mode) <1>					
Signal	Meaning	Interconnection parameters	[Function diagram] internal control word	[Function diagram] signal target	Inverted
POS_STW1.0	1 = Traversing block selection, bit 0	p2625 = r2091.0	-	-	-
POS_STW1.1	1 = Traversing block selection, bit 1	p2626 = r2091.1	-	-	-
POS_STW1.2	1 = Traversing block selection, bit 2	p2627 = r2091.2	-	-	-
POS_STW1.3	1 = Traversing block selection, bit 3	p2628 = r2091.3	-	-	-
POS_STW1.4	Reserved	-	-	-	-
POS_STW1.5	Reserved	-	-	-	-
POS_STW1.6	Reserved	-	-	-	-
POS_STW1.7	Reserved	-	-	-	-
POS_STW1.8	1 = Absolute positioning is selected 0 = Relative positioning is selected	p2648 = r2091.8	-	-	-
POS_STW1.9	p2651 / p2652 0-Signal / 0-Signal: Absolute positioning through the shortest distance. 1-Signal / 0-Signal: Absolute positioning in the positive direction.	p2651 = r2091.9	-	-	-
POS_STW1.10	0-Signal / 1-Signal: Absolute positioning in the negative direction. 1-Signal / 1-Signal: Absolute positioning through the shortest distance.	p2652 = r2091.10	-	-	-
POS_STW1.11	Reserved	-	-	-	-
POS_STW1.12	1 = Continuous acceptance of the values 0 = The values are accepted for p2650 = 0/1 signal	p2649 = r2091.12	-	-	-
POS_STW1.13	Reserved	-	-	-	-
POS_STW1.14	1 = Signal setting-up selected 0 = Signal positioning selected	p2653 = r2091.14	-	-	-
POS_STW1.15	1 = MDI selection 1 = MDI deselection	p2647 = r2091.15	-	-	-

<1> Used in telegram 111.

1	2	3	4	5	6	7	8
PROFIdrive (PROFIBUS/PROFINET)					fp_2463_97_55.vsd	Function diagram	
POS_STW1 positioning control word 1 interconnection					08.04.2014 V4.7	G120 CU250S-2	
							- 2463 -

Fig. 3-33 2463 – POS_STW1 positioning control word 1 Interconnection

Signal targets for POS_STW2 (positioning mode) <1>					
Signal	Meaning	Interconnection parameters	[Function diagram] internal control word	[Function diagram] signal target	Inverted
POS_STW2.0	1 = Activate Tracking mode	p2655[0] = r2092.0	-	[3635]	-
POS_STW2.1	1 = Set home position	p2596 = r2092.1	-	[3612]	-
POS_STW2.2	1 = Reference cam active	p2612 = r2092.2	-	[3612]	-
POS_STW2.3	Reserved	-	-	-	-
POS_STW2.4	Reserved	-	-	-	-
POS_STW2.5	1 = Jogging, incremental active	p2591 = r2092.5	-	[3610]	-
POS_STW2.6	Reserved	-	-	-	-
POS_STW2.7	Reserved	-	-	-	-
POS_STW2.8	1 = Referencing type selection for flying referencing 0 = Referencing type selection for search for reference	p2597 = r2092.8	-	-	-
POS_STW2.9	1 = Start the search for reference in the negative direction 0 = Start the search for reference in the positive direction	p2604 = r2092.9	-	-	-
POS_STW2.10	1 = Measuring probe 2 is activated 0 = Measuring probe 1 is activated	p2510[0] = r2092.10	-	-	-
POS_STW2.11	1 = Falling edge of the measuring probe 0 = Rising edge of the measuring probe	p2511[0] = r2092.11	-	-	-
POS_STW2.12	Reserved	-	-	-	-
POS_STW2.13	Reserved	-	-	-	-
POS_STW2.14	1 = Software limit switch activation	p2582 = r2092.14	-	-	-
POS_STW2.15	1 = STOP cam active	p2568 = r2092.15	-	-	-

<1> Used in telegram 111.

1	2	3	4	5	6	7	8
PROFIdrive (PROFIBUS/PROFINET)					fp_2464_97_55.vsd	Function diagram	
POS_STW2 positioning control word 2 interconnection					08.04.2014 V4.7	G120 CU250S-2	
- 2464 -							

Fig. 3-34 2464 – POS_STW2 positioning control word 2 interconnection

Signal targets for POS_ZSW (positioning mode)						<1>
Signal	Meaning	Interconnection parameters	[Function diagram] internal control word	[Function diagram] signal target	Inverted	
POS_ZSW.0	1 = Tracking active	p2084[0] = r2683.0	-	[3645]	-	
POS_ZSW.1	1 = Velocity limiting active	p2084[1] = r2683.1	-	[3645]	-	
POS_ZSW.2	1 = Setpoint available	p2084[2] = r2683.2	-	[3645]	-	
POS_ZSW.3	Reserved	-	-	-	-	
POS_ZSW.4	1 = Axis moves forwards 0 = Axis stationary or moves backwards	p2084[4] = r2683.4	-	[3645]	-	
POS_ZSW.5	1 = Axis moves backwards 0 = Axis stationary or moves forwards	p2084[5] = r2683.5	-	[3645]	-	
POS_ZSW.6	1 = Software limit switch minus reached	p2084[6] = r2683.6	-	[3645]	-	
POS_ZSW.7	1 = Software limit switch plus reached	p2084[7] = r2683.7	-	[3645]	-	
POS_ZSW.8	1 = Position actual value <= cam switching position 1 0 = Overrun cam switching position 1	p2084[8] = r2683.8	-	[3645]	-	
POS_ZSW.9	1 = Position actual value <= cam switching position 2 0 = Overrun cam switching position 2	p2084[9] = r2683.9	-	[3645]	-	
POS_ZSW.10	1 = Direct output 1 via the traversing block	p2084[10] = r2683.10	-	[3645]	-	
POS_ZSW.11	1 = Direct output 2 via the traversing block	p2084[11] = r2683.11	-	[3645]	-	
POS_ZSW.12	1 = Fixed stop reached	p2084[12] = r2683.12	-	[3645]	-	
POS_ZSW.13	1 = Fixed stop, clamping torque reached	p2084[13] = r2683.13	-	[3645]	-	
POS_ZSW.14	1 = Travel to fixed stop active	p2084[14] = r2683.14	-	[3645]	-	
POS_ZSW.15	Reserved	-	-	-	-	

<1> Used in telegram 110.

1	2	3	4	5	6	7	8
PROFIdrive (PROFIBUS/PROFINET)					fp_2465_97_55.vsd	Function diagram	
POS_ZSW positioning status word interconnection					08.04.2014 V4.7	G120 CU250S-2	
							- 2465 -

Fig. 3-35 2465 – POS_ZSW positioning status word interconnection

Signal targets for POS_ZSW1 (positioning mode) <1>					
Signal	Meaning	Interconnection parameters	[Function diagram] internal control word	[Function diagram] signal target	Inverted
POS_ZSW1.0	1 = Active traversing block, bit 0	p2083[0] = r2670.0	-	[3650]	-
POS_ZSW1.1	1 = Active traversing block, bit 1	p2083[1] = r2670.1	-	[3650]	-
POS_ZSW1.2	1 = Active traversing block, bit 2	p2083[2] = r2670.2	-	[3650]	-
POS_ZSW1.3	1 = Active traversing block, bit 3	p2083[3] = r2670.3	-	[3650]	-
POS_ZSW1.4	Reserved	-	-	-	-
POS_ZSW1.5	Reserved	-	-	-	-
POS_ZSW1.6	Reserved	-	-	-	-
POS_ZSW1.7	Reserved	-	-	-	-
POS_ZSW1.8	1 = STOP cam minus active	p2083[8] = r2684.13	-	[3646]	-
POS_ZSW1.9	1 = STOP cam plus active	p2083[9] = r2684.14	-	[3646]	-
POS_ZSW1.10	1 = Jog active	p2083[10] = r2094.0	-	-	-
POS_ZSW1.11	1 = Reference point approach active	p2083[11] = r2094.1	-	-	-
POS_ZSW1.12	1 = Flying referencing active	p2083[12] = r2684.1	-	[3646]	-
POS_ZSW1.13	1 = Traversing block active	p2083[13] = r2094.2	-	-	-
POS_ZSW1.14	1 = Set up active	p2083[14] = r2094.3	-	-	-
POS_ZSW1.15	1 = MDI active 0 = MDI inactive	p2083[15] = r2670.15	-	[3650]	-

<1> Used in telegram 111.

1	2	3	4	5	6	7	8
PROFIdrive (PROFIBUS/PROFINET)					fp_2466_97_03.vsd	Function diagram	
POS_ZSW1 positioning status word 1 interconnection					08.04.2014 V4.7	G120 CU250S-2	
							- 2466 -

Fig. 3-36 2466 – POS_ZSW1 positioning status word 1 interconnection

Signal targets for POS_ZSW2 (positioning mode) <1>					
Signal	Meaning	Interconnection parameters	[Function diagram] internal control word	[Function diagram] signal target	Inverted
POS_ZSW2.0	1 = Tracking active	p2084[0] = r2683.0	-	[3645]	-
POS_ZSW2.1	1 = Velocity limiting active	p2084[1] = r2683.1	-	[3645]	-
POS_ZSW2.2	1 = Setpoint available	p2084[2] = r2683.2	-	[3645]	-
POS_ZSW2.3	1 = Print mark outside the outer window	p2084[3] = r2684.3	-	[3646]	-
POS_ZSW2.4	1 = Axis moves forwards 0 = Axis stationary or moves backwards	p2084[4] = r2683.4	-	[3645]	-
POS_ZSW2.5	1 = Axis moves backwards 0 = Axis stationary or moves forwards	p2084[5] = r2683.5	-	[3645]	-
POS_ZSW2.6	1 = Software limit switch minus reached	p2084[6] = r2683.6	-	[3645]	-
POS_ZSW2.7	1 = Software limit switch plus reached	p2084[7] = r2683.7	-	[3645]	-
POS_ZSW2.8	1 = Position actual value <= cam switching position 1 0 = Overrun cam switching position 1	p2084[8] = r2683.8	-	[3645]	-
POS_ZSW2.9	1 = Position actual value <= cam switching position 2 0 = Overrun cam switching position 2	p2084[9] = r2683.9	-	[3645]	-
POS_ZSW2.10	1 = Direct output 1 via the traversing block	p2084[10] = r2683.10	-	[3645]	-
POS_ZSW2.11	1 = Direct output 2 via the traversing block	p2084[11] = r2683.11	-	[3645]	-
POS_ZSW2.12	1 = Fixed stop reached	p2084[12] = r2683.12	-	[3645]	-
POS_ZSW2.13	1 = Fixed stop, clamping torque reached	p2084[13] = r2683.13	-	[3645]	-
POS_ZSW2.14	1 = Travel to fixed stop active	p2084[14] = r2683.14	-	[3645]	-
POS_ZSW2.15	1 = Traversing command active 0 = Axis stationary	p2084[14] = r2684.15	-	[3646]	-

<1> Used in telegram 111.

1	2	3	4	5	6	7	8
PROFIdrive (PROFIBUS/PROFINET)					fp_2467_97_55.vsd	Function diagram	
POS_ZSW2 positioning status word 2 interconnection					08.04.2014 V4.7	G120 CU250S-2	
							- 2467 -

Fig. 3-37 2467 – POS_ZSW2 positioning status word 2 interconnection

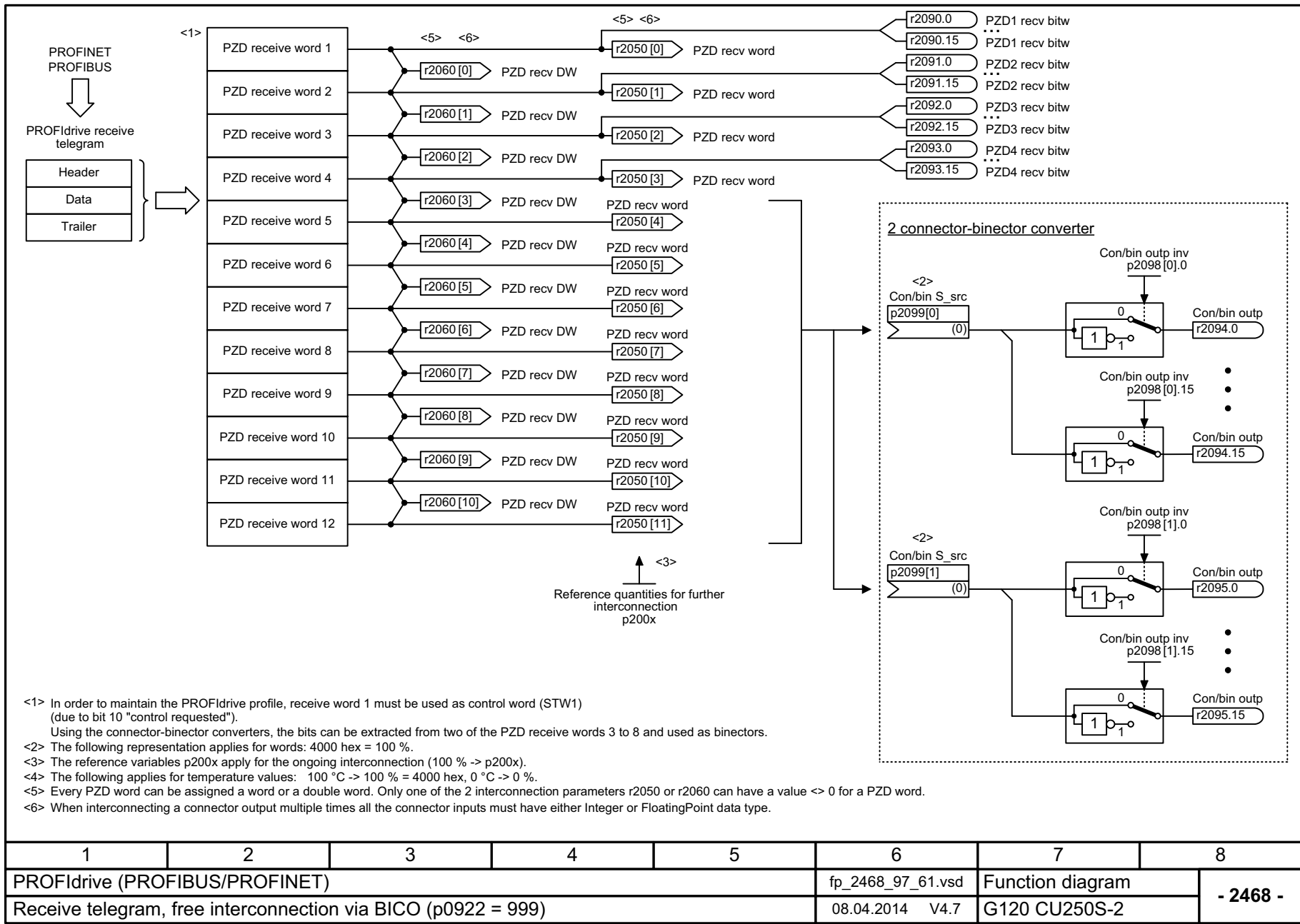
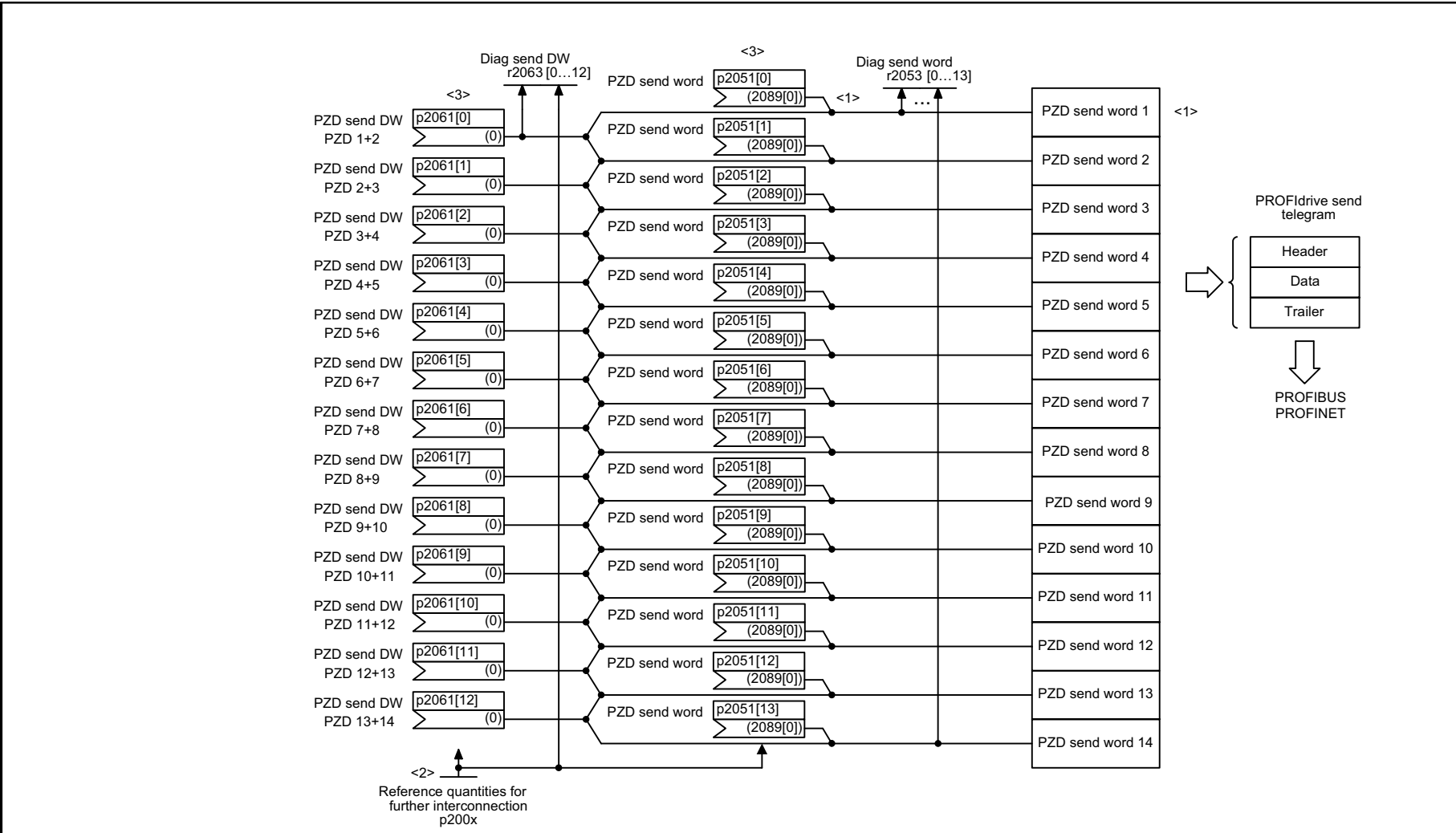


Fig. 3-38 2468 – Receive telegram, free interconnection via BICO (p0922 = 999)

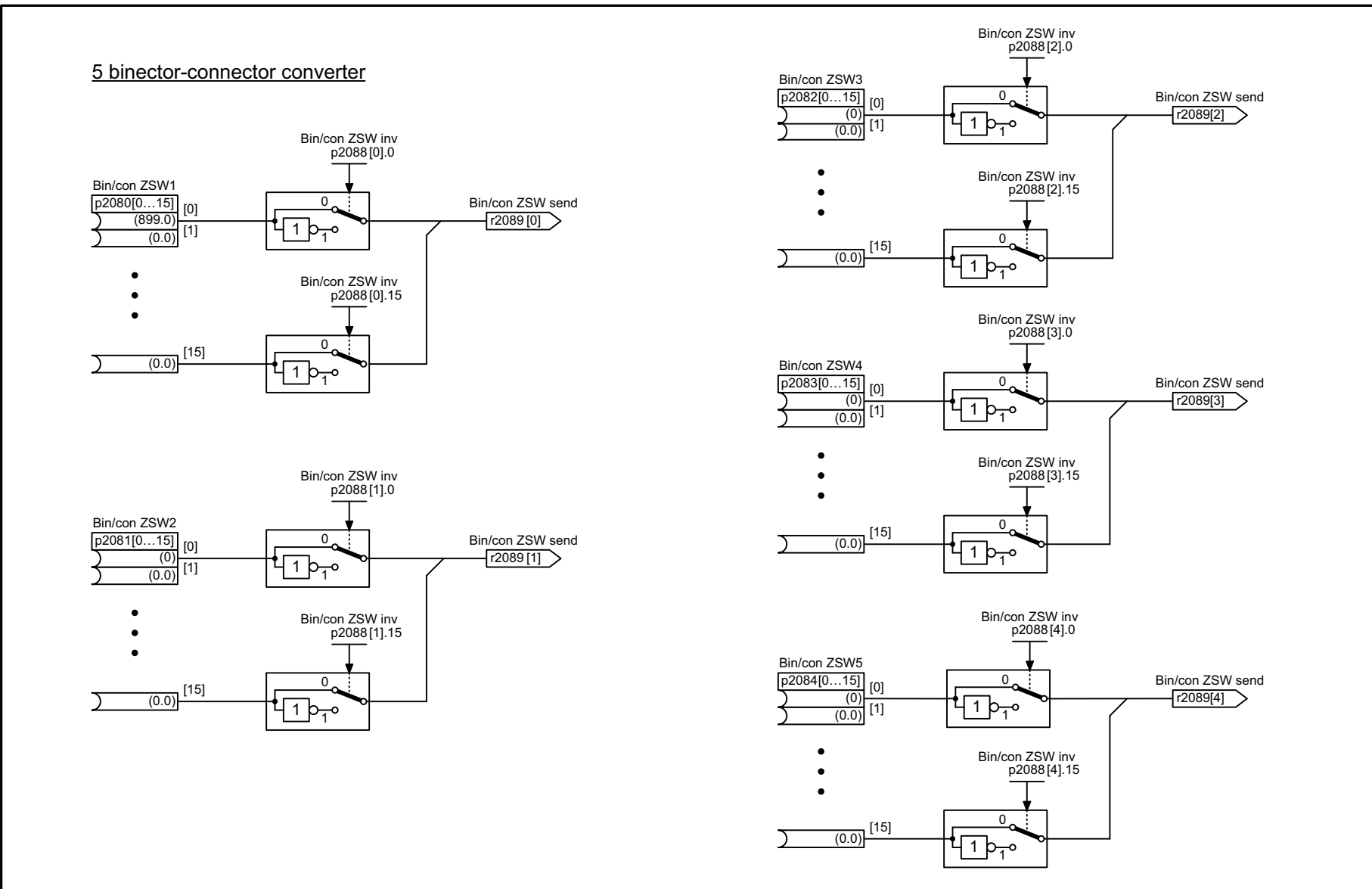
1	2	3	4	5	6	7	8
PROFdrive (PROFIBUS/PROFINET)					fp_2468_97_61.vsd	Function diagram	
Receive telegram, free interconnection via BICO (p0922 = 999)					08.04.2014 V4.7	G120 CU250S-2	
							- 2468 -



- <1> To comply with the PROFIdrive profile, send word 1 must be used as status word 1 (ZSW1).
- <2> Physical word values are inserted in the telegram as referenced variables. p200x apply as reference variables (telegram contents = 4000 hex, if the input variable has the value p200x).
The following applies for temperature values: 100 °C -> 100 % = 4000
- <3> A PZD send word can either be supplied via connector input p2051[x] (WORD) or via p2061[x] (DWORD). The two corresponding connector inputs cannot be interconnected.

1	2	3	4	5	6	7	8
PROFIdrive (PROFIBUS/PROFINET)					fp_2470_97_61.vsd	Function diagram	
Send telegram, free interconnection via BICO (p0922 = 999)					08.04.2014 V4.7	G120 CU250S-2	
							- 2470 -

Fig. 3-39 2470 – Send telegram, free interconnection via BICO (p0922 = 999)



1	2	3	4	5	6	7	8
PROFIdrive (PROFIBUS/PROFINET)					fp_2472_97_51.vsd	Function diagram	
Status words, free interconnection					08.04.2014 V4.7	G120 CU250S-2	

Fig. 3-40 2472 – Status words, free interconnection

Signal targets for SATZANW (positioning mode) <1>					
Signal	Meaning	Interconnection parameters	[Function diagram] internal control word	[Function diagram] signal target	Inverted
SATZANW.0	1 = Traversing block selection, bit 0	p2625 = r2091.0	-	[3640]	-
SATZANW.1	1 = Traversing block selection, bit 1	p2626 = r2091.1	-	[3640]	-
SATZANW.2	1 = Traversing block selection, bit 2	p2627 = r2091.2	-	[3640]	-
SATZANW.3	1 = Traversing block selection, bit 3	p2628 = r2091.3	-	[3640]	-
SATZANW.4	Reserved	-	-	-	-
SATZANW.5	Reserved	-	-	-	-
SATZANW.6	Reserved	-	-	-	-
SATZANW.7	Reserved	-	-	-	-
SATZANW.8	Reserved	-	-	-	-
SATZANW.9	Reserved	-	-	-	-
SATZANW.10	Reserved	-	-	-	-
SATZANW.11	Reserved	-	-	-	-
SATZANW.12	Reserved	-	-	-	-
SATZANW.13	Reserved	-	-	-	-
SATZANW.14	Reserved	-	-	-	-
SATZANW.15	1 = MDI selection	p2647 = r2091.15	-	[3640]	-

<1> Used in telegrams 7, 9, 110.

1	2	3	4	5	6	7	8
PROFIdrive (PROFIBUS/PROFINET)					fp_2476_97_55.vsd	Function diagram	
SATZANW block selection interconnection					08.04.2014 V4.7	G120 CU250S-2	
							- 2476 -

Fig. 3-41 2476 – SATZANW block selection interconnection

Signal targets for AKTSATZ (positioning mode) <1>					
Signal	Meaning	Interconnection parameters	[Function diagram] internal control word	[Function diagram] signal target	Inverted
SATZANW.0	1 = Active traversing block, bit 0	r2670.0	-	-	-
SATZANW.1	1 = Active traversing block, bit 1	r2670.1	-	-	-
SATZANW.2	1 = Active traversing block, bit 2	r2670.2	-	-	-
SATZANW.3	1 = Active traversing block, bit 3	r2670.3	-	-	-
SATZANW.4	Reserved	-	-	-	-
SATZANW.5	Reserved	-	-	-	-
SATZANW.6	Reserved	-	-	-	-
SATZANW.7	Reserved	-	-	-	-
SATZANW.8	Reserved	-	-	-	-
SATZANW.9	Reserved	-	-	-	-
SATZANW.10	Reserved	-	-	-	-
SATZANW.11	Reserved	-	-	-	-
SATZANW.12	Reserved	-	-	-	-
SATZANW.13	Reserved	-	-	-	-
SATZANW.14	Reserved	-	-	-	-
SATZANW.15	1 = MDI active 0 = MDI inactive	r2670.15	-	-	-

<1> Used in telegrams 7, 9, 110.

1	2	3	4	5	6	7	8
PROFIdrive (PROFIBUS/PROFINET)					fp_2477_97_55.vsd	Function diagram	
AKTSATZ status word interconnection					08.04.2014 V4.7	G120 CU250S-2	
- 2477 -							

Fig. 3-42 2477 – AKTSATZ status word interconnection

Signal targets for MDI_MOD (positioning mode) <1>					
Signal	Meaning	Interconnection parameters	[Function diagram] internal control word	[Function diagram] signal target	Inverted
MDI_MOD.0	1 = Absolute positioning is selected 0 = Relative positioning is selected	p2648 = r2094.0	-	[3620]	-
MDI_MOD.1	p2651 / p2652 0-Signal / 0-Signal: Absolute positioning through the shortest distance. 1-Signal / 0-Signal: Absolute positioning in the positive direction.	p2651 = r2094.1	-	[3620]	-
MDI_MOD.2	0-Signal / 1-Signal: Absolute positioning in the negative direction. 1-Signal / 1-Signal: Absolute positioning through the shortest distance.	p2652 = r2094.2	-	[3620]	-
MDI_MOD.3	Reserved	-	-	-	-
MDI_MOD.4	Reserved	-	-	-	-
MDI_MOD.5	Reserved	-	-	-	-
MDI_MOD.6	Reserved	-	-	-	-
MDI_MOD.7	Reserved	-	-	-	-
MDI_MOD.8	Reserved	-	-	-	-
MDI_MOD.9	Reserved	-	-	-	-
MDI_MOD.10	Reserved	-	-	-	-
MDI_MOD.11	Reserved	-	-	-	-
MDI_MOD.12	Reserved	-	-	-	-
MDI_MOD.13	Reserved	-	-	-	-
MDI_MOD.14	Reserved	-	-	-	-
MDI_MOD.15	Reserved	-	-	-	-

<1> Used in telegrams 9, 110.

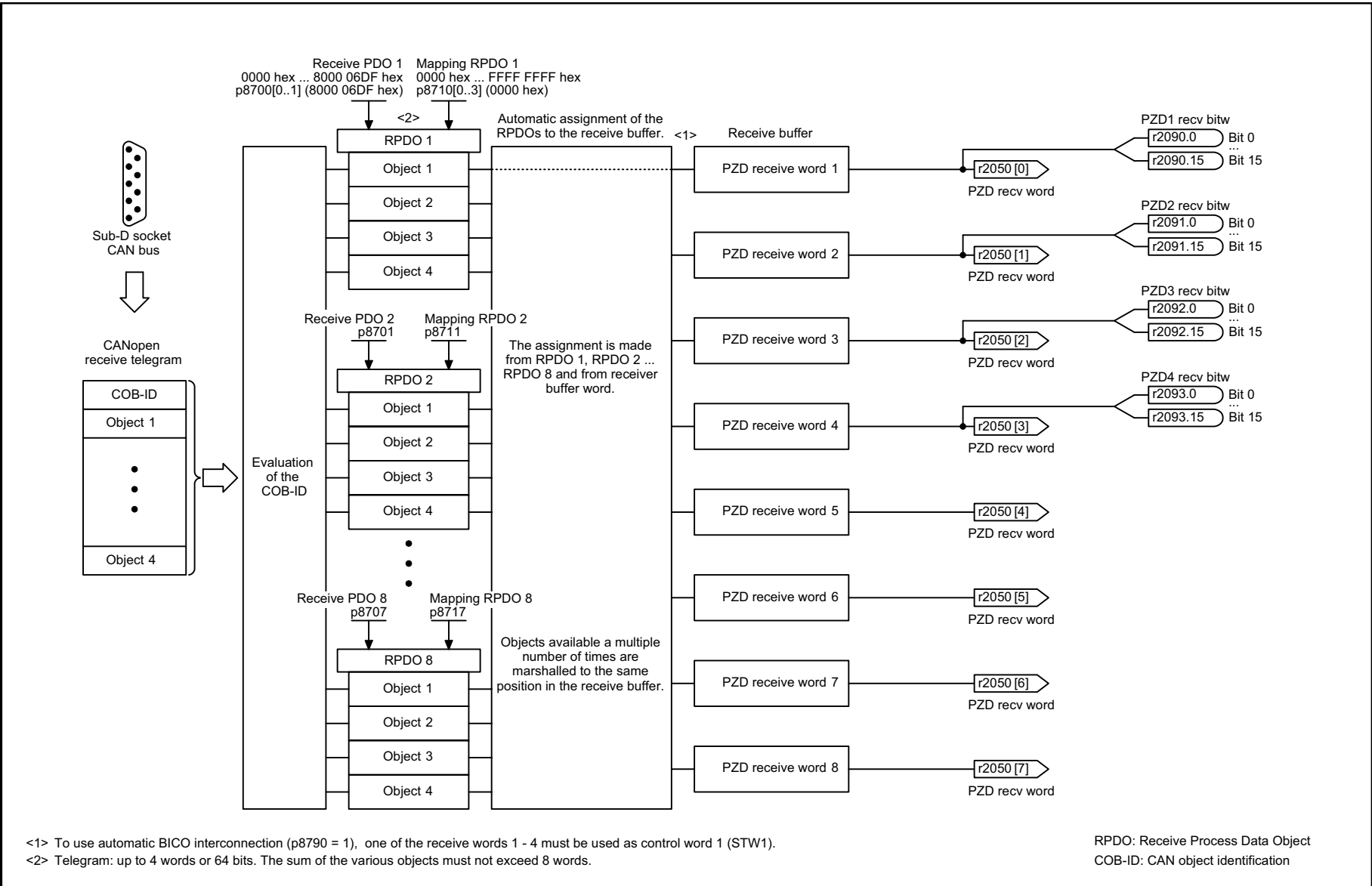
1	2	3	4	5	6	7	8
PROFIdrive (PROFIBUS/PROFINET)					fp_2480_97_55.vsd	Function diagram	
MDI_MOD - MDI mode interconnection					08.04.2014 V4.7	G120 CU250S-2	
							- 2480 -

Fig. 3-43 2480 – MDI_MOD - MDI mode interconnection

3.6 CANopen communication

Function diagrams

9204 – Receive telegram, free PDO mapping (p8744 = 2)	737
9206 – Receive telegram, Predefined Connection Set (p8744 = 1)	738
9208 – Send telegram, free PDO mapping (p8744 = 2)	739
9210 – Send telegram, Predefined Connection Set (p8744 = 1)	740
9220 – Control word, CANopen	741
9226 – Status word, CANopen	742



<1> To use automatic BICO interconnection (p8790 = 1), one of the receive words 1 - 4 must be used as control word 1 (STW1).
<2> Telegram: up to 4 words or 64 bits. The sum of the various objects must not exceed 8 words.

1	2	3	4	5	6	7	8
CANopen					fp_9204_97_68.vsd	Function diagram	
Receive telegram, free PDO mapping (p8744 = 2)					08.04.2014 V4.7	G120 CU250S-2 CAN	
							- 9204 -

Fig. 3-44 9204 – Receive telegram, free PDO mapping (p8744 = 2)

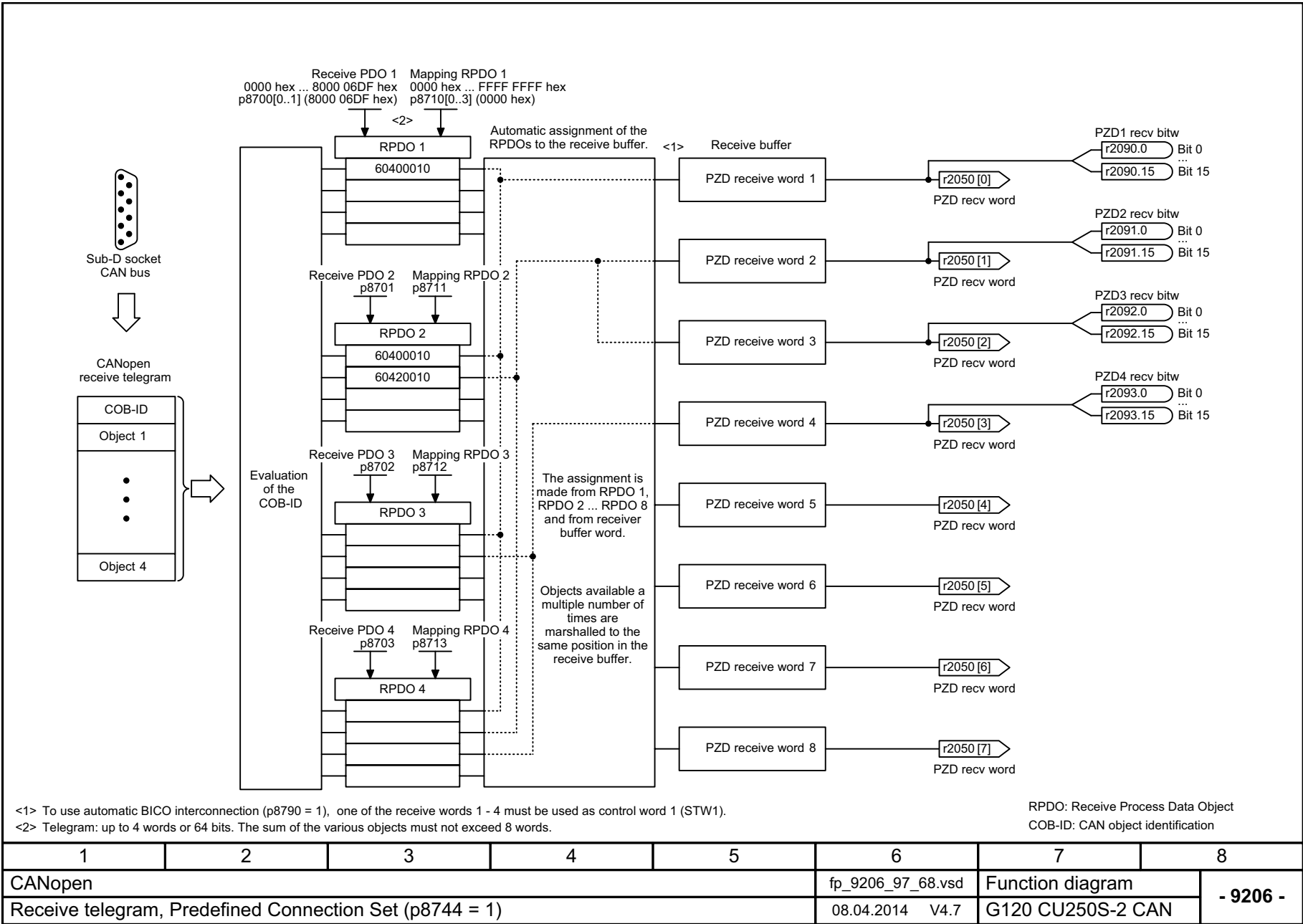
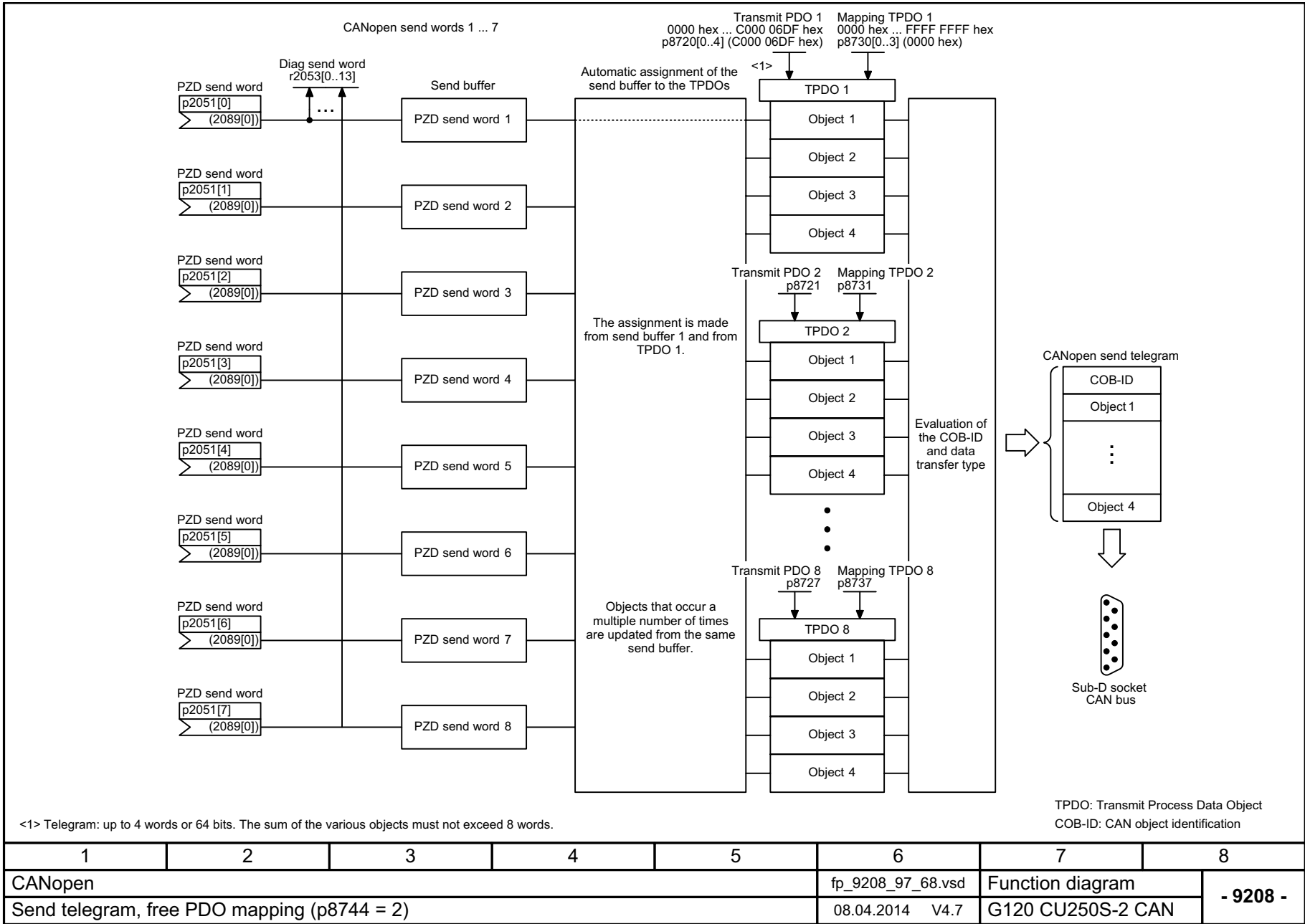


Fig. 3-45 9206 – Receive telegram, Predefined Connection Set (p8744 = 1)

Fig. 3-46 9208 – Send telegram, free PDO mapping (p8744 = 2)



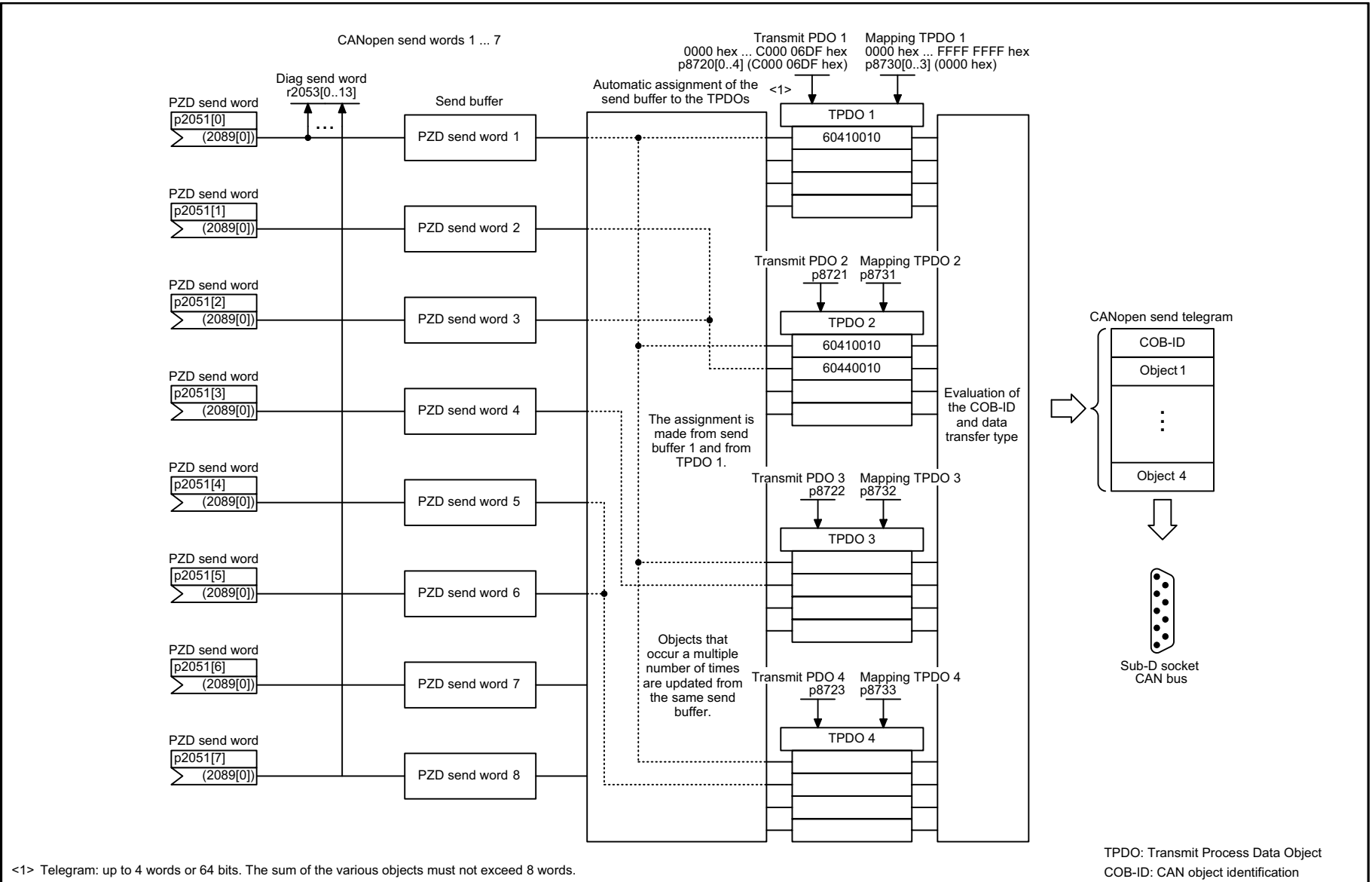
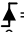
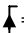


Fig. 3-47 9210 – Send telegram, Predefined Connection Set (p8744 = 1)

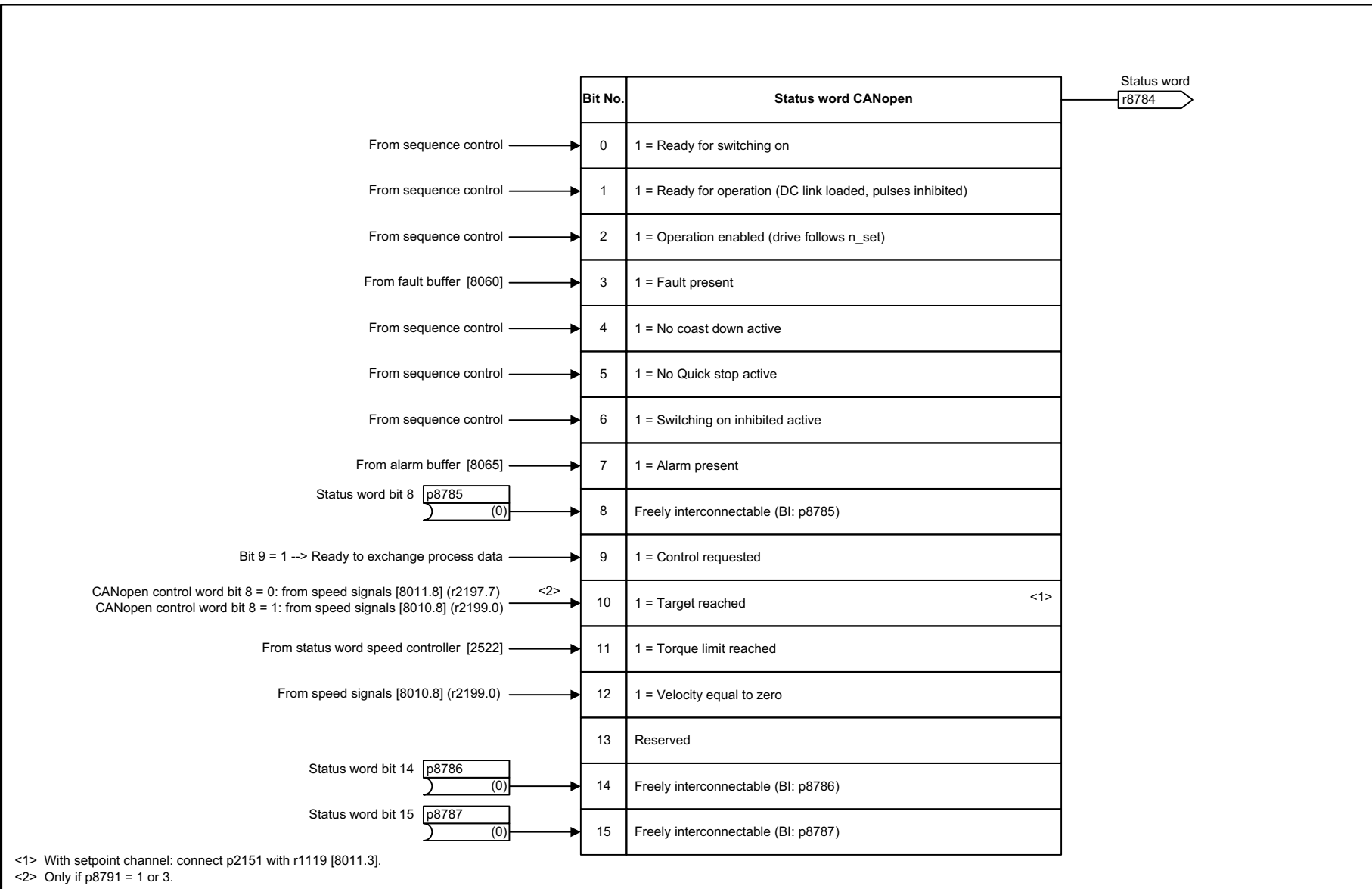
1	2	3	4	5	6	7	8
CANopen					fp_9210_97_68.vsd	Function diagram	
Send telegram, Predefined Connection Set (p8744 = 1)					08.04.2014 V4.7	G120 CU250S-2 CAN	
							- 9210 -

Signal targets for control word CANopen				
Signal	Meaning	Interconnection parameters <1>	[Function diagram] internal control word	[Function diagram] signal target
STW.0	 = ON (pulses can be enabled) 0 = OFF1 (braking with RFG, then pulse suppression and ready for switching on)	p0840[0] = r2090.0	[2501.3]	Sequence control
STW.1	1 = No coast-down activated (enable possible) 0 = Activate coast-down (immediate pulse suppression and switching on inhibited)	p0844[0] = r2090.1	[2501.3]	Sequence control
STW.2	1 = No Quick stop activated (enable possible) 0 = Activate Quick stop (OFF3 ramp p1135, then pulse suppression and switching on inhibited)	p0848[0] = r2090.2	[2501.3]	Sequence control
STW.3	1 = Enable operation (pulses can be enabled) 0 = Inhibit operation (suppress pulses)	p0852[0] = r2090.3	[2501.3]	Sequence control
STW.4	1 = Enable ramp-function generator 0 = Inhibit ramp-function generator	p1140[0] = r2090.4	[2501.3]	[3060], [3070]
STW.5	1 = Continue ramp-function generator 0 = Freeze ramp-function generator	p1141[0] = r2090.5	[2501.3]	[3060], [3070]
STW.6	1 = Enable setpoint 0 = Inhibit setpoint (set the ramp-function generator input to zero)	p1142[0] = r2090.6	[2501.3]	[3060], [3070]
STW.7	 = Acknowledge fault	p2103[0] = r2090.7	[2546.1]	[8060]
STW.8	1 = Stop	<2> <3>	-	[3060], [3070]
STW.9	Reserved	-	-	-
STW.10	Reserved	-	-	-
STW.11	Can be freely connected	pxxxx[y] = r2090.11	-	-
STW.12	Can be freely connected	pxxxx[y] = r2090.12	-	-
STW.13	Can be freely connected	pxxxx[y] = r2090.13	-	-
STW.14	Can be freely connected	pxxxx[y] = r2090.14	-	-
STW.15	Can be freely connected	pxxxx[y] = r2090.15	-	-

<1> Depending on the position of the CANopen control word in p8750, the number of the binector to be connected changes.
 <2> Not taken into account for the automatic control word interconnection (p8790).
 <3> Interconnection via p8791

1	2	3	4	5	6	7	8
CANopen					fp_9220_97_68.vsd	Function diagram	
Control word, CANopen					08.04.2014 V4.7	G120 CU250S-2 CAN	
							- 9220 -

Fig. 3-48 9220 – Control word, CANopen



1	2	3	4	5	6	7	8
CANopen					fp_9226_97_68.vsd	Function diagram	
Status word, CANopen					08.04.2014 V4.7	G120 CU250S-2 CAN	

- 9226 -

Fig. 3-49 9226 – Status word, CANopen

3.7 Communication, fieldbus interface (USS, MODBUS)

Function diagrams

9310 – Configuration, addresses and diagnostics	744
9342 – STW1 control word interconnection	745
9352 – ZSW1 status word interconnection	746
9360 – Receive telegram, free interconnection via BICO (p0922 = 999)	747
9370 – Send telegram, free interconnection via BICO (p0922 = 999)	748
9372 – Status word, free interconnection	749

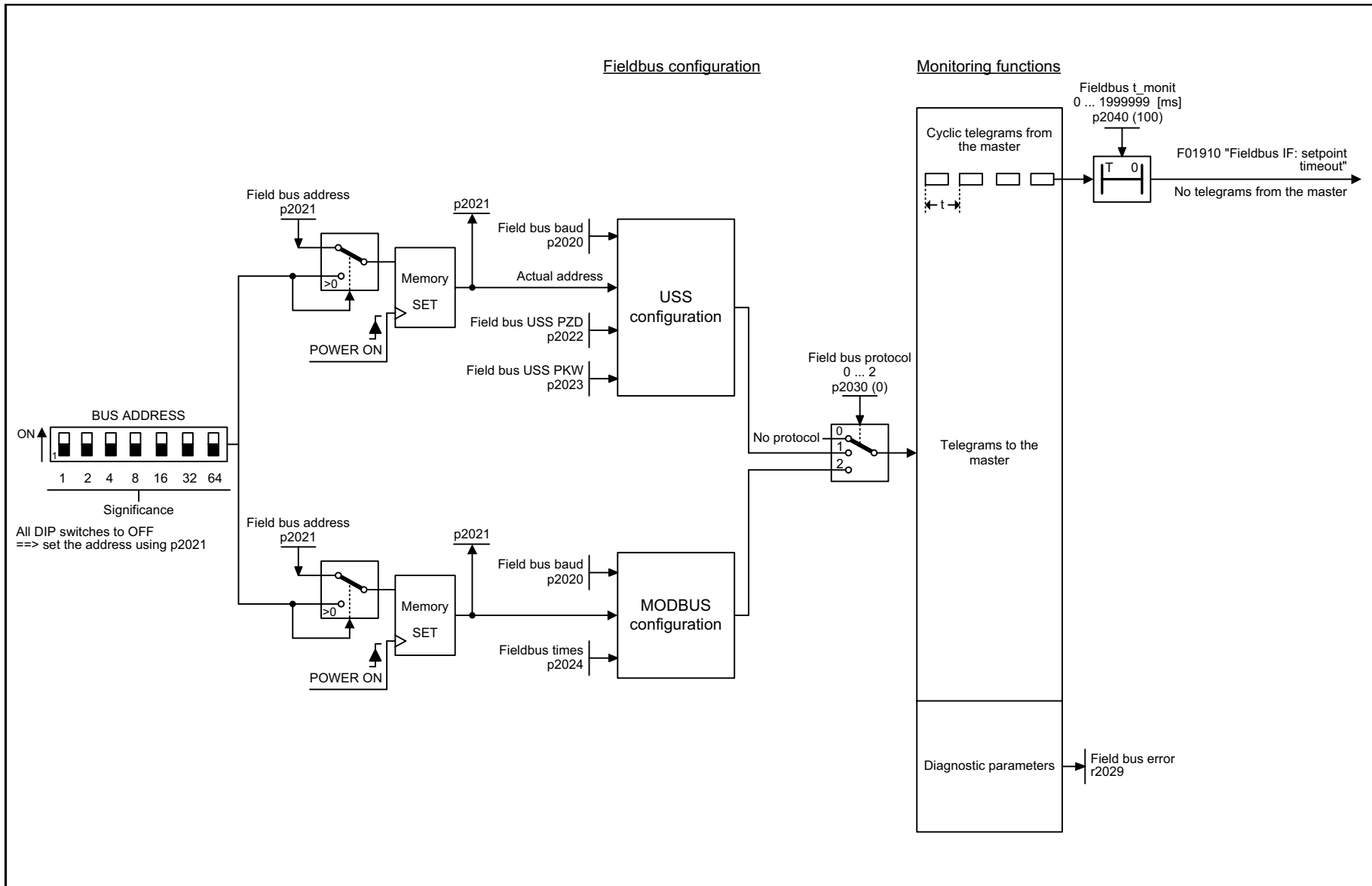


Fig. 3-50 9310 – Configuration, addresses and diagnostics

1	2	3	4	5	6	7	8
Fieldbus Interface (USS, MODBUS)					fp_9310_97_66.vsd	Function diagram	
Configuration, addresses and diagnostics					08.04.2014 V4.7	G120 CU250S-2	
- 9310 -							

Signal targets for fieldbus STW1							
Signal	Meaning	Interconnection parameters	[Function diagram] internal control word	[Function diagram] signal target	Inverted		
STW1.0	⏏ = ON (pulses can be enabled) 0 = OFF1 (braking with ramp-function generator, then pulse suppression & ready for switching on)	p0840[0] = r2090.0	[2501.3]	Sequence control	-		
STW1.1	1 = No OFF2 (enable is possible) 0 = OFF2 (immediate pulse suppression and switching on inhibited)	p0844[0] = r2090.1	[2501.3]	Sequence control	-		
STW1.2	1 = No OFF3 (enable is possible) 0 = OFF3 (braking with the OFF3 ramp p1135, then pulse suppression and switching on inhibited)	p0848[0] = r2090.2	[2501.3]	Sequence control	-		
STW1.3	1 = Enable operation (pulses can be enabled) 0 = Inhibit operation (suppress pulses)	p0852[0] = r2090.3	[2501.3]	Sequence control	-		
STW1.4	1 = Ramp-function generator enable 0 = Inhibit ramp-function generator (set the ramp-function generator output to zero)	p1140[0] = r2090.4	[2501.3]	[3060], [3070], [3080]	-		
STW1.5	1 = Continue ramp-function generator 0 = Freezes the ramp-function generator	p1141[0] = r2090.5	[2501.3]	[3060], [3070]	-		
STW1.6	1 = Setpoint enable 0 = Inhibits the setpoint (the ramp-function generator input is set to zero)	p1142[0] = r2090.6	[2501.3]	[3060], [3070], [3080]	-		
STW1.7	⏏ = Acknowledge faults	p2103[0] = r2090.7	[2546.1]	[8060]	-		
STW1.8	Reserved	-	-	-	-		
STW1.9	Reserved	-	-	-	-		
STW1.10	1 = Control via PLC <1>	p0854[0] = r2090.10	[2501.3]	[2501]	-		
STW1.11	1 = Dir of rot reversal <2>	p1113[0] = r2090.11	[2505.3]	[3040]	-		
STW1.12	Reserved	-	-	-	-		
STW1.13	1 = Motorized potentiometer, setpoint, raise	p1035[0] = r2090.13	[2505.3]	[3020]	-		
STW1.14	1 = Motorized potentiometer, setpoint, lower	p1036[0] = r2090.14	[2505.3]	[3020]	-		
STW1.15	Reserved	-	-	-	-		

<1> Bit 10 in STW1 must be set to ensure that the drive accepts the process data.
 <2> The direction reversal can be locked. See p1110 and p1111.

1	2	3	4	5	6	7	8
Fieldbus Interface (USS, MODBUS)					fp_9342_97_62.vsd	Function diagram	
STW1 control word interconnection					08.04.2014 V4.7	G120 CU250S-2	
							- 9342 -

Fig. 3-51 9342 – STW1 control word interconnection

Signal sources for fieldbus ZSW1							
Signal	Meaning	Interconnection parameters	[Function diagram] internal control word	[Function diagram] signal target	Inverted <1>		
ZSW1.0	1 = Ready for switching on	p2080[0] = r0899.0	[2503.7]	Sequence control	-		
ZSW1.1	1 = Ready for operation (DC link loaded, pulses inhibited)	p2080[1] = r0899.1	[2503.7]	Sequence control	-		
ZSW1.2	1 = Operation enabled (drive follows n_set)	p2080[2] = r0899.2	[2503.7]	Sequence control	-		
ZSW1.3	1 = Fault present	p2080[3] = r2139.3	[2548.7]	[8060]	-		
ZSW1.4	1 = No coast down active (OFF2 inactive)	p2080[4] = r0899.4	[2503.7]	Sequence control	-		
ZSW1.5	1 = No Quick stop active (OFF3 inactive)	p2080[5] = r0899.5	[2503.7]	Sequence control	-		
ZSW1.6	1 = Switching on inhibited active	p2080[6] = r0899.6	[2503.7]	Sequence control	-		
ZSW1.7	1 = Alarm present	p2080[7] = r2139.7	[2548.7]	[8065]	-		
ZSW1.8	1 = Speed setpoint - actual value deviation within tolerance t_off	p2080[8] = r2197.7	[2534.7]	[8011]	-		
ZSW1.9	1 = Control requested <2>	p2080[9] = r0899.9	[2503.7]	[2503]	-		
ZSW1.10	1 = f or n comparison value reached/exceeded	p2080[10] = r2199.1	[2536.7]	[8010]	-		
ZSW1.11	1 = I, M, or P limit not reached	p2080[11] = r1407.7	[2522.7]	[6060]	✓		
ZSW1.12	1 = Open holding brake	p2080[12] = r0899.12	[2503.7]	[2701]	-		
ZSW1.13	1 = No motor overtemperature alarm	p2080[13] = r2135.14	[2548.7]	[8016]	✓		
ZSW1.14	1 = Motor rotates forwards (n_act ≥ 0) 0 = Motor rotates backwards (n_act < 0)	p2080[14] = r2197.3	[2534.7]	[8011]	-		
ZSW1.15	1 = No alarm, thermal overload, power unit	p2080[15] = r2135.15	[2548.7]	[8014]	✓		
<1> The ZSW1 is generated using the binector-connector converter (BI: p2080[0...15], inversion: p2088[0]...p2088[0].15). <2> The drive is ready to accept data.							
1	2	3	4	5	6	7	8
Fieldbus Interface (USS, MODBUS)					fp_9352_97_62.vsd	Function diagram	
ZSW1 status word interconnection					08.04.2014 V4.7	G120 CU250S-2	
							- 9352 -

Fig. 3-52 9352 – ZSW1 status word interconnection

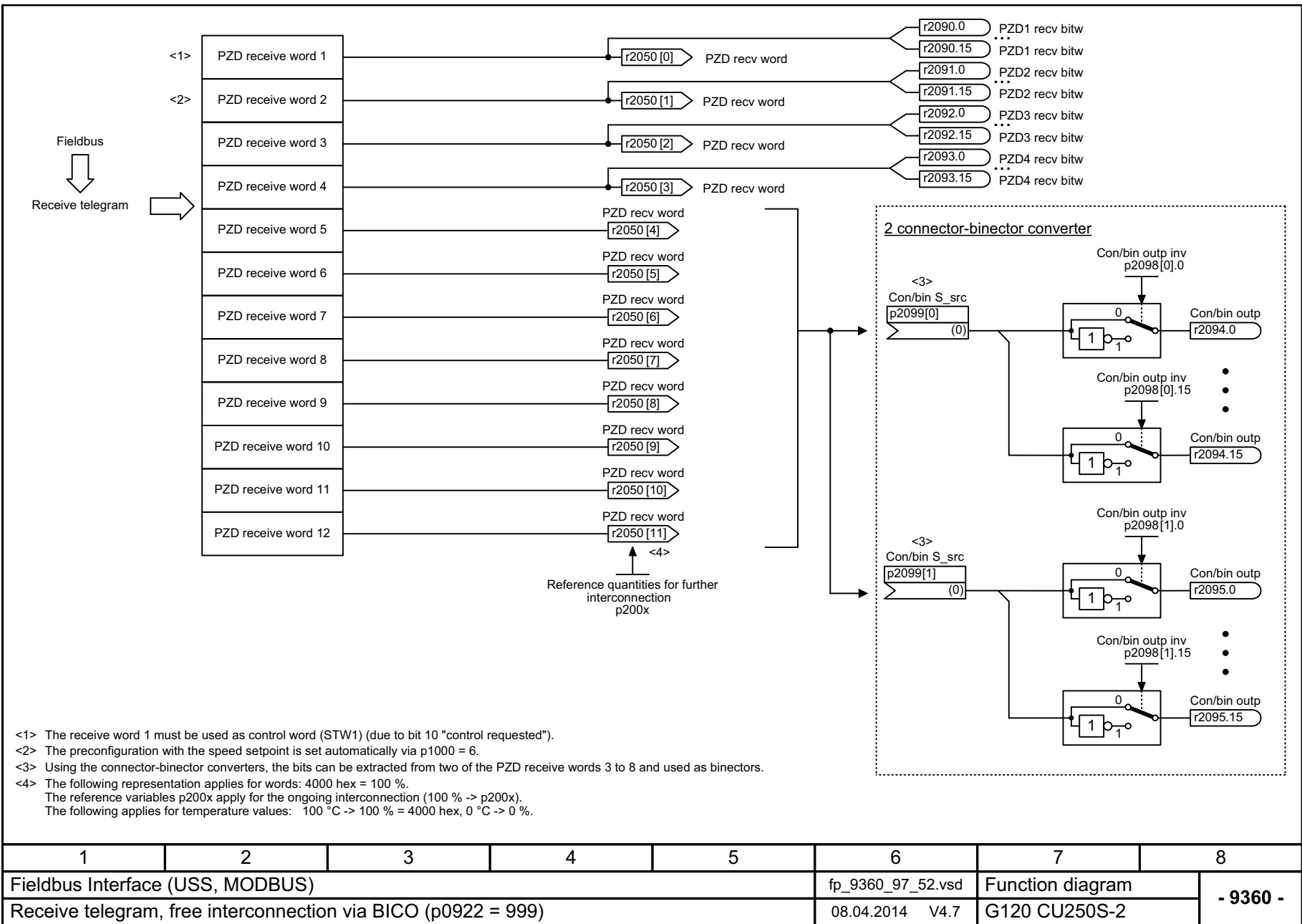


Fig. 3-53 9360 – Receive telegram, free interconnection via BICO (p0922 = 999)

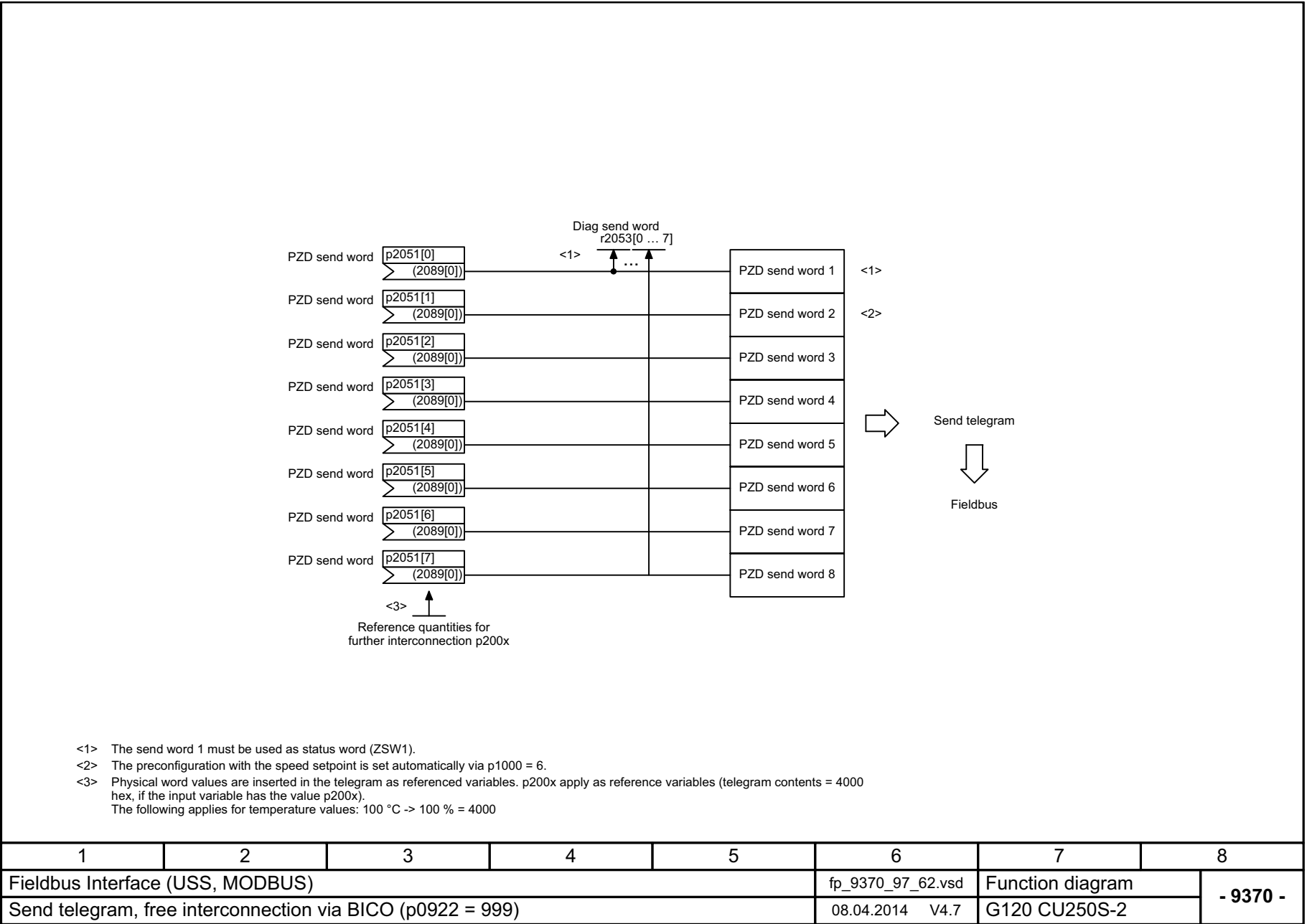


Fig. 3-54 9370 – Send telegram, free interconnection via BICO (p0922 = 999)

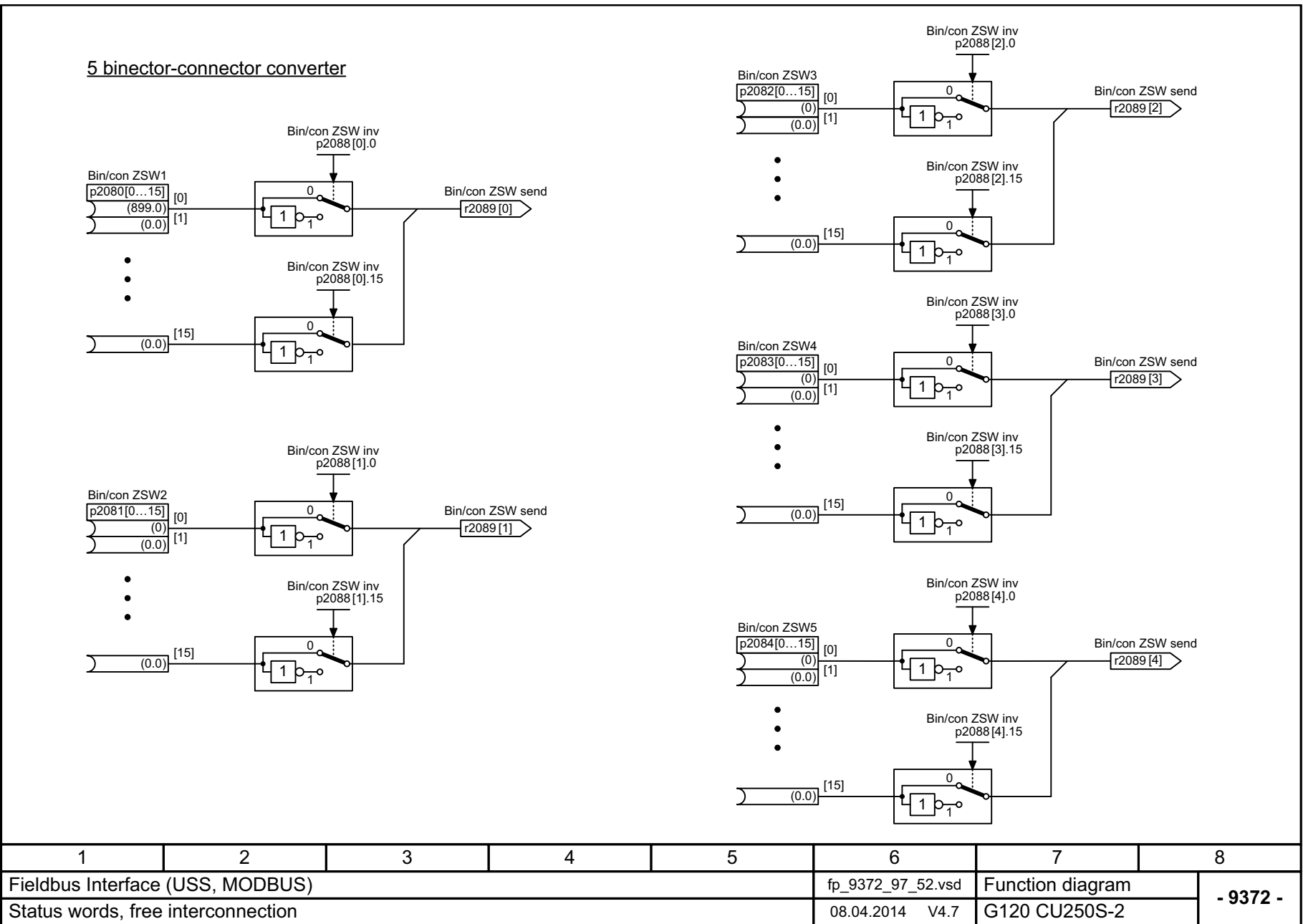


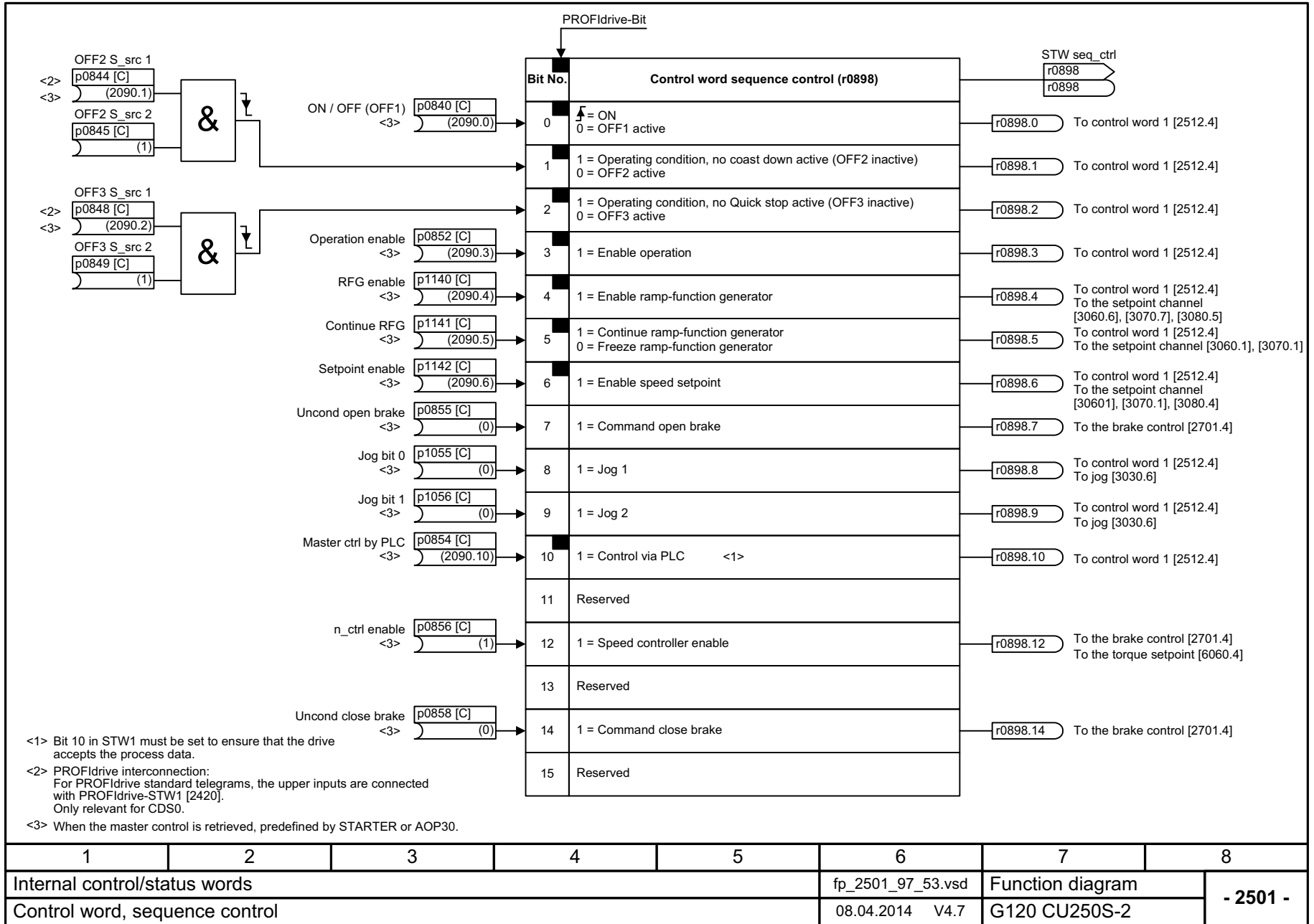
Fig. 3-55 9372 – Status word, free interconnection

3.8 Internal control/status words

Function diagrams

2501 – Control word, sequence control	751
2503 – Status word, sequence control	752
2505 – Control word, setpoint channel	753
2510 – Status word 1 (r0052)	754
2511 – Status word 2 (r0053)	755
2512 – Control word 1 (r0054)	756
2513 – Control word 2 (r0055)	757
2520 – Control word, speed controller (r1406)	758
2522 – Status word, speed controller (r1407)	759
2526 – Status word, closed-loop control (r0056)	760
2530 – Status word, closed-loop current control (r1408)	761
2534 – Status word, monitoring functions 1	762
2536 – Status word, monitoring functions 2	763
2537 – Status word, monitoring functions 3	764
2546 – Control word, faults/alarms	765
2548 – Status word, faults/alarms 1 and 2	766
2610 – Sequence control - sequencer	767
2634 – Sequence control - Missing enable signals (vector control)	768

Fig. 3-56 2501 – Control word, sequence control



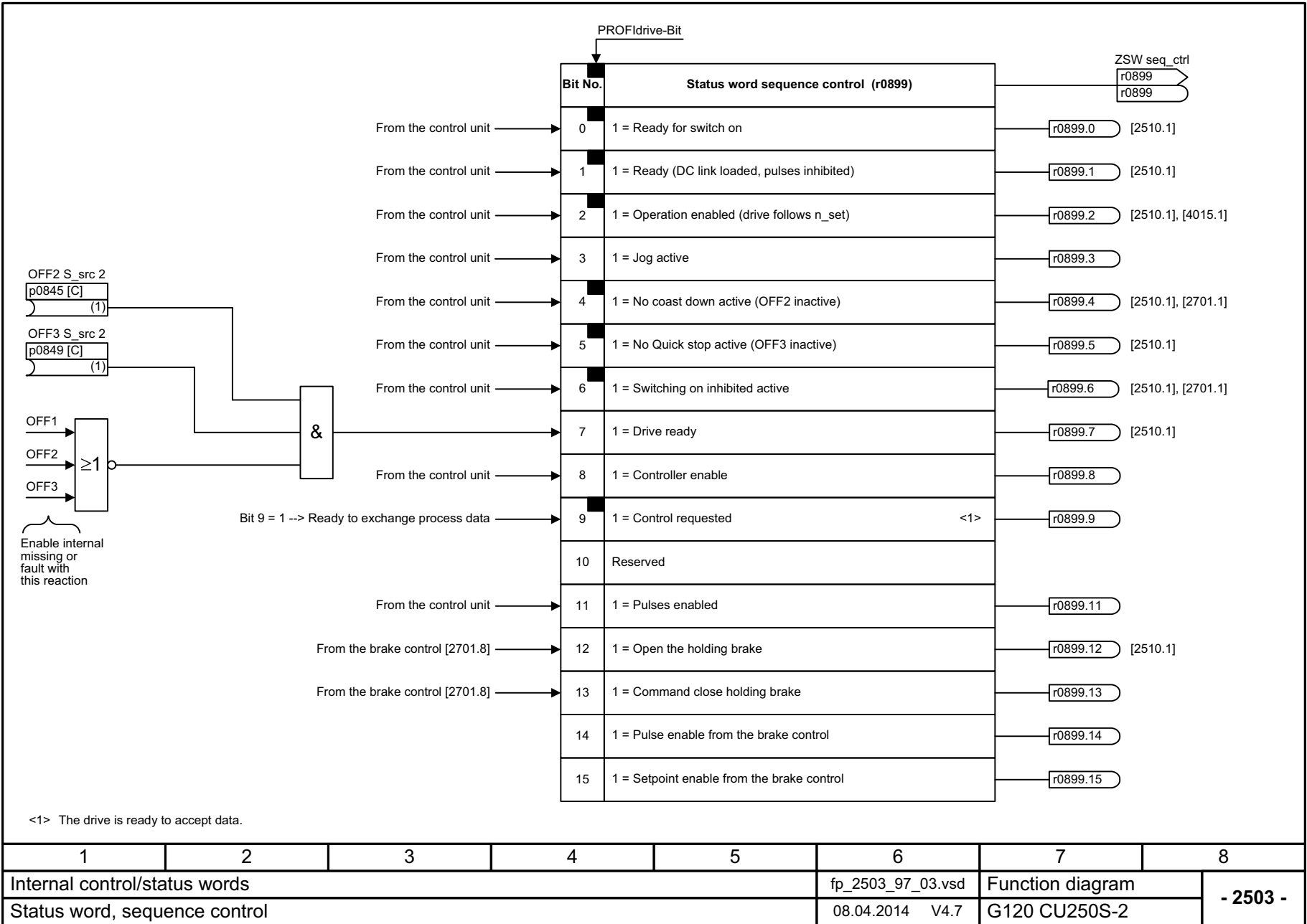
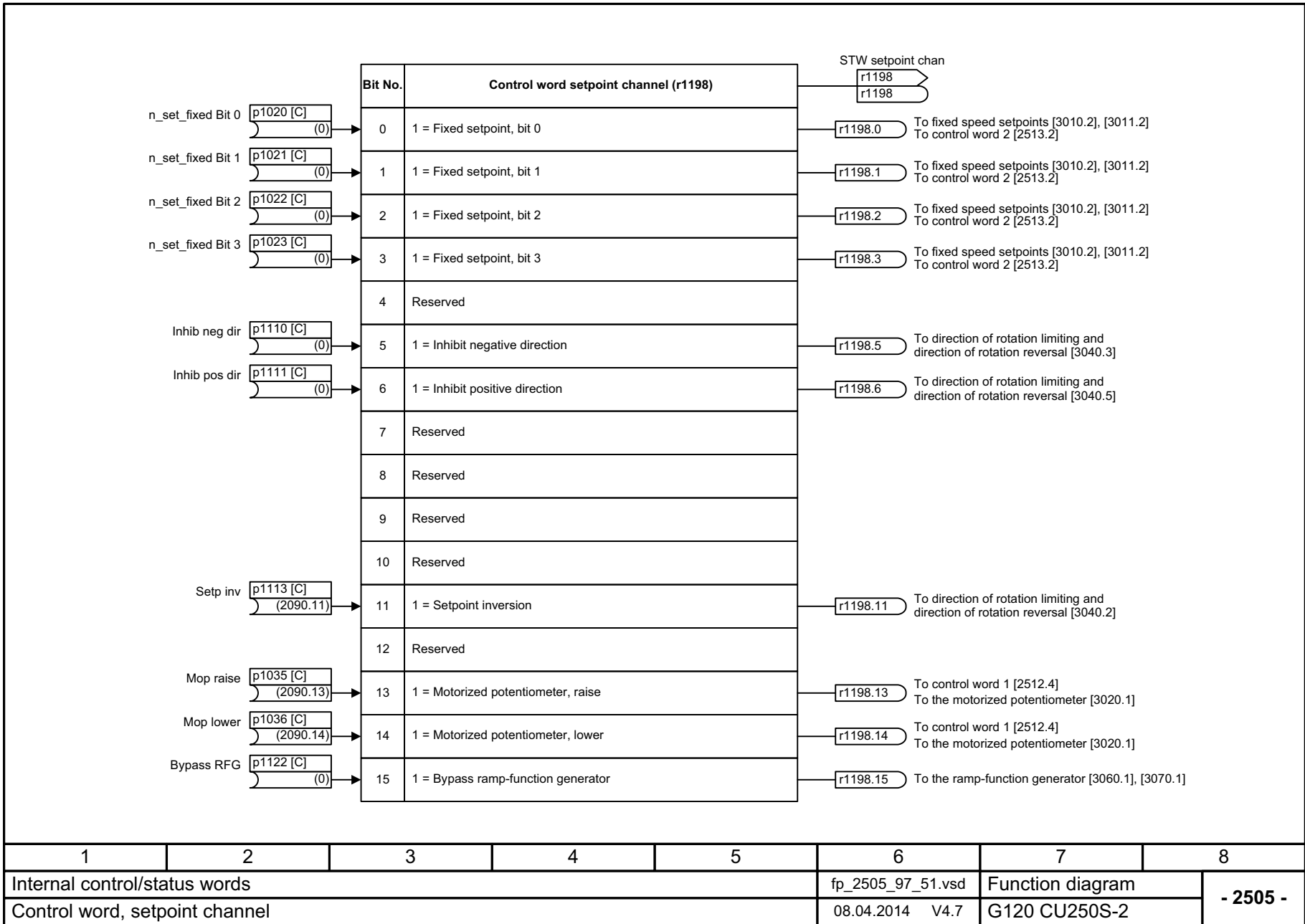
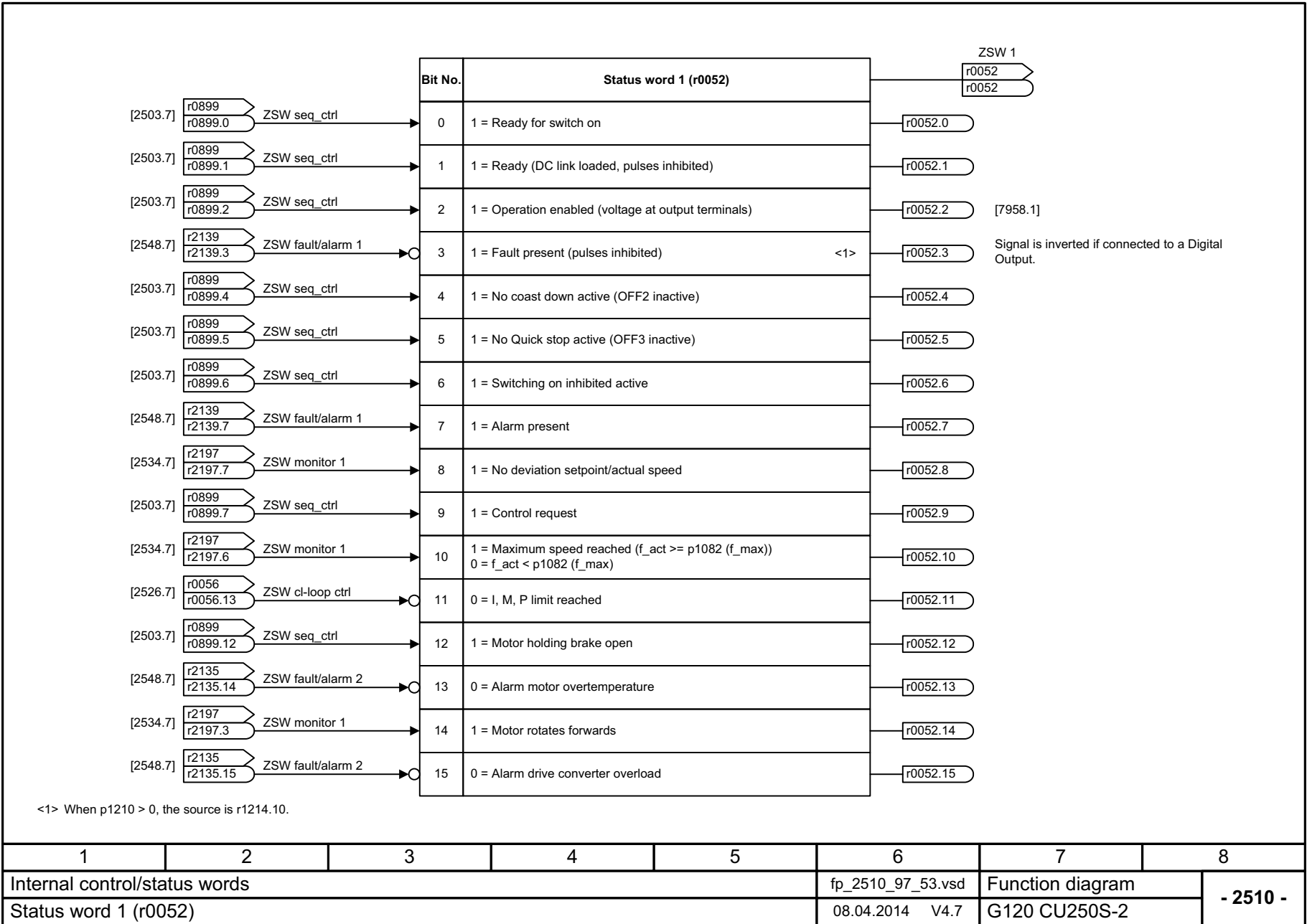


Fig. 3-57 2503 – Status word, sequence control

1	2	3	4	5	6	7	8
Internal control/status words					fp_2503_97_03.vsd	Function diagram	
Status word, sequence control					08.04.2014 V4.7	G120 CU250S-2	
- 2503 -							

Fig. 3-58 2505 – Control word, setpoint channel





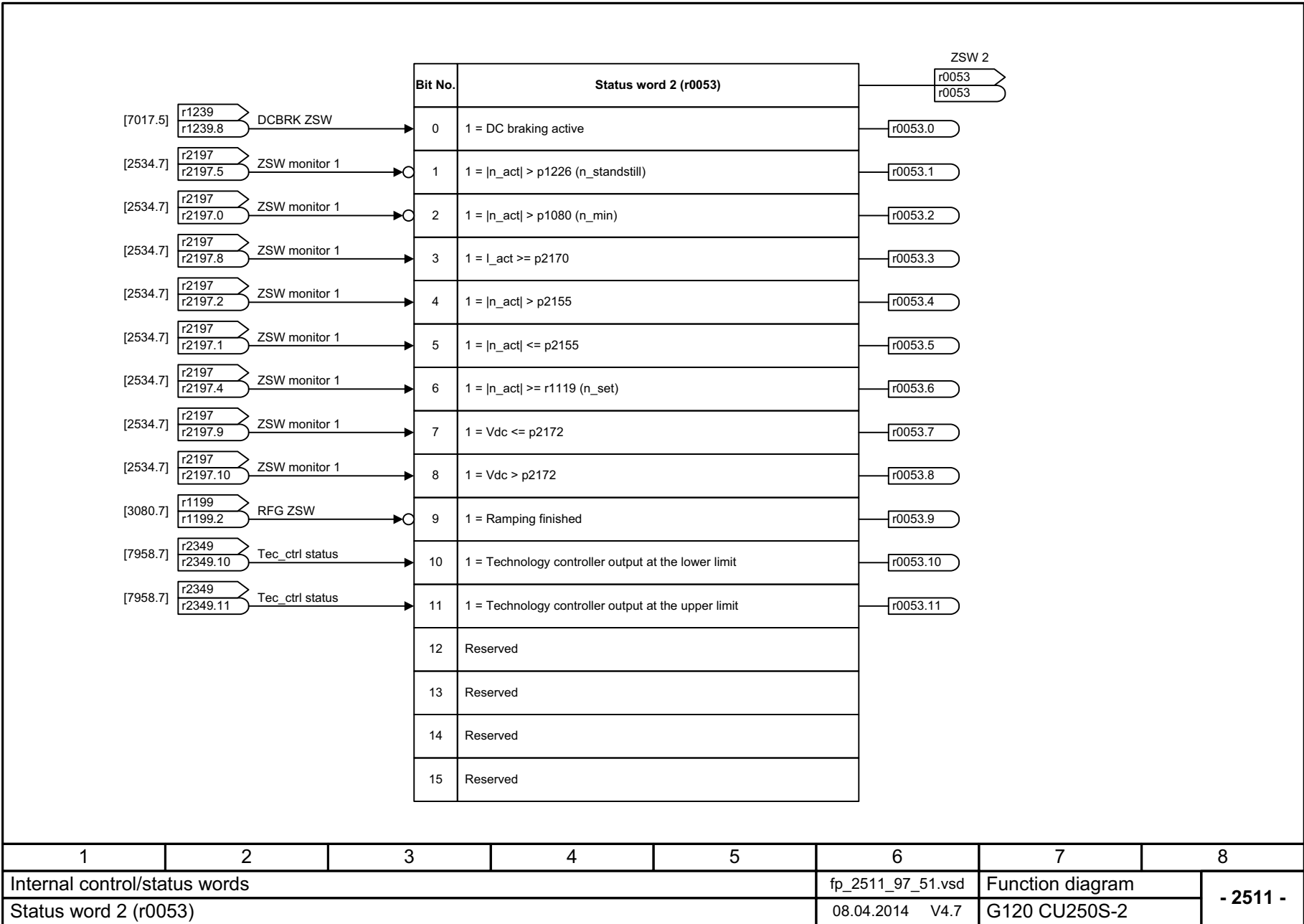


Fig. 3-60 2511 – Status word 2 (r0053)

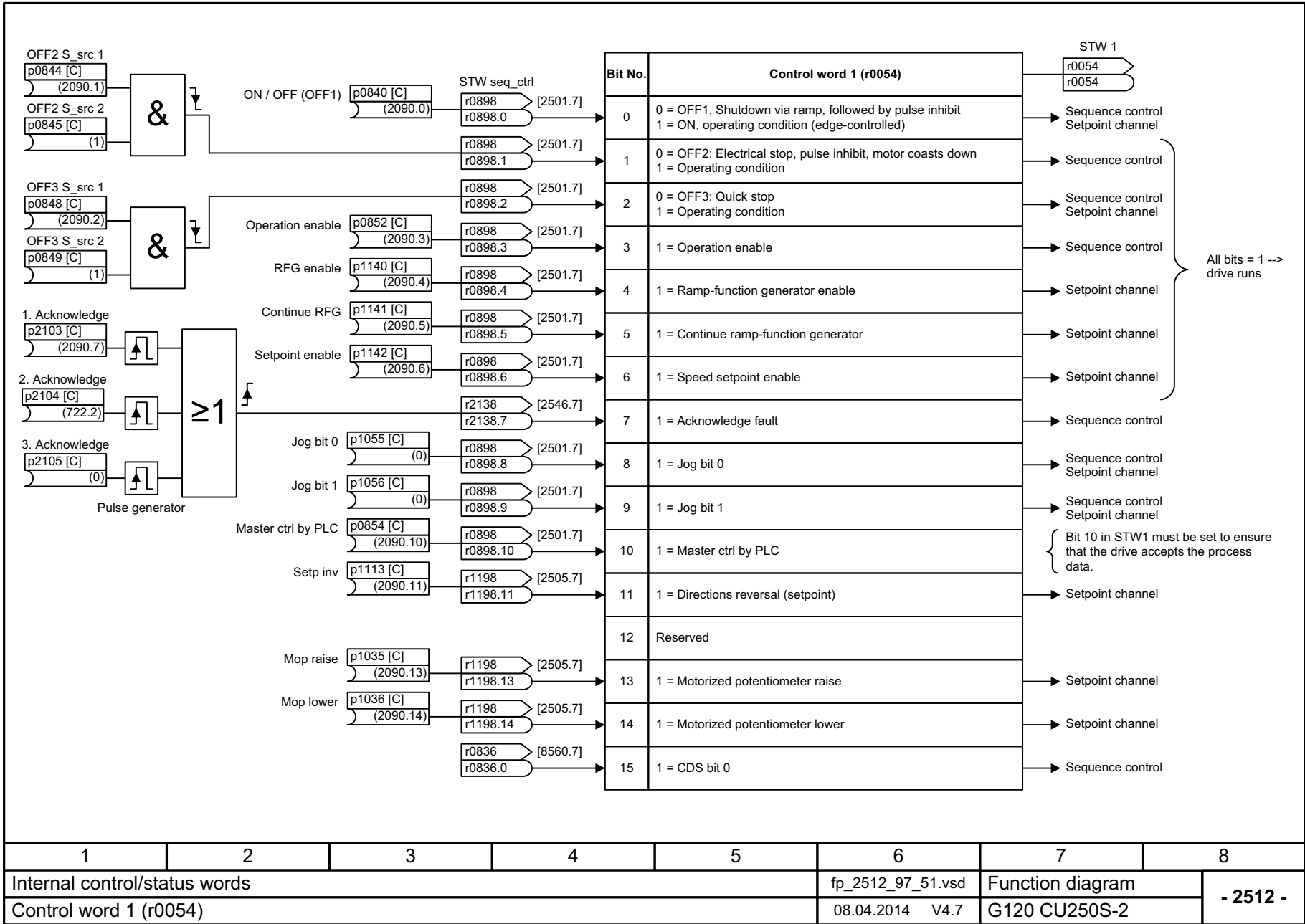


Fig. 3-61 2512 – Control word 1 (r0054)

1	2	3	4	5	6	7	8
Internal control/status words					fp_2512_97_51.vsd	Function diagram	
Control word 1 (r0054)					08.04.2014 V4.7	G120 CU250S-2	
- 2512 -							

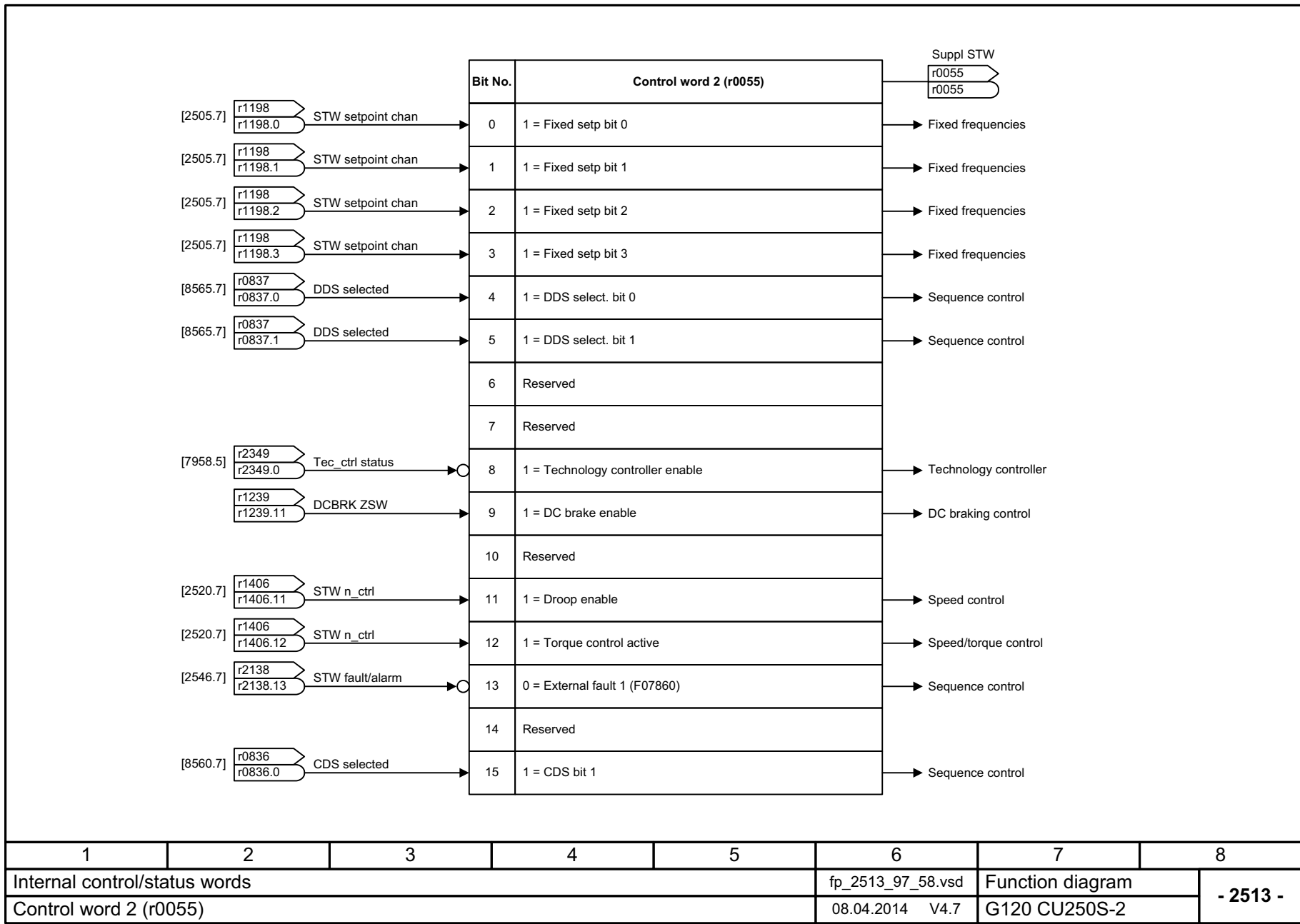


Fig. 3-62 2513 – Control word 2 (r0055)

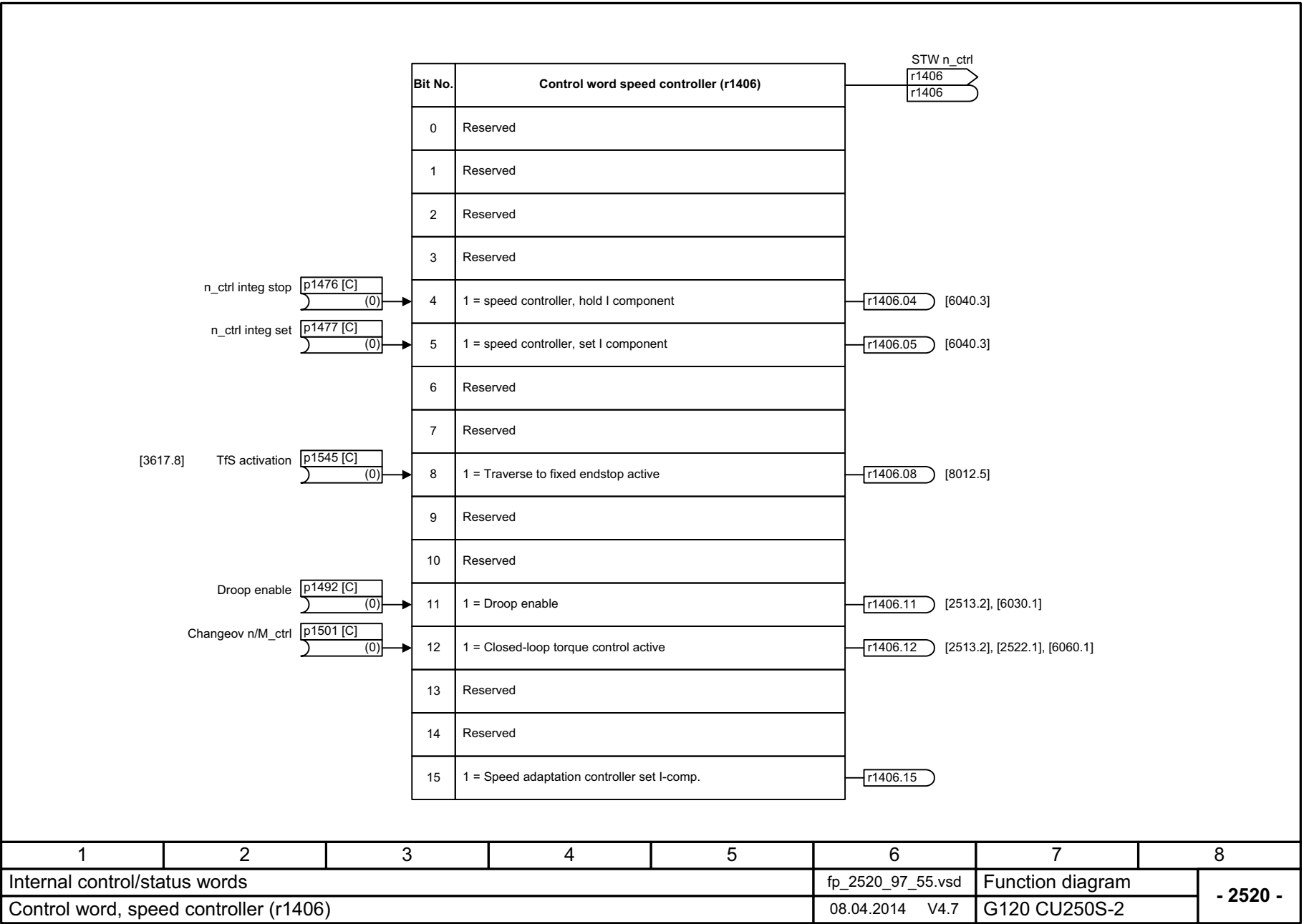


Fig. 3-63 2520 – Control word, speed controller (r1406)

1	2	3	4	5	6	7	8
Internal control/status words					fp_2520_97_55.vsd	Function diagram	
Control word, speed controller (r1406)					08.04.2014 V4.7	G120 CU250S-2	
- 2520 -							

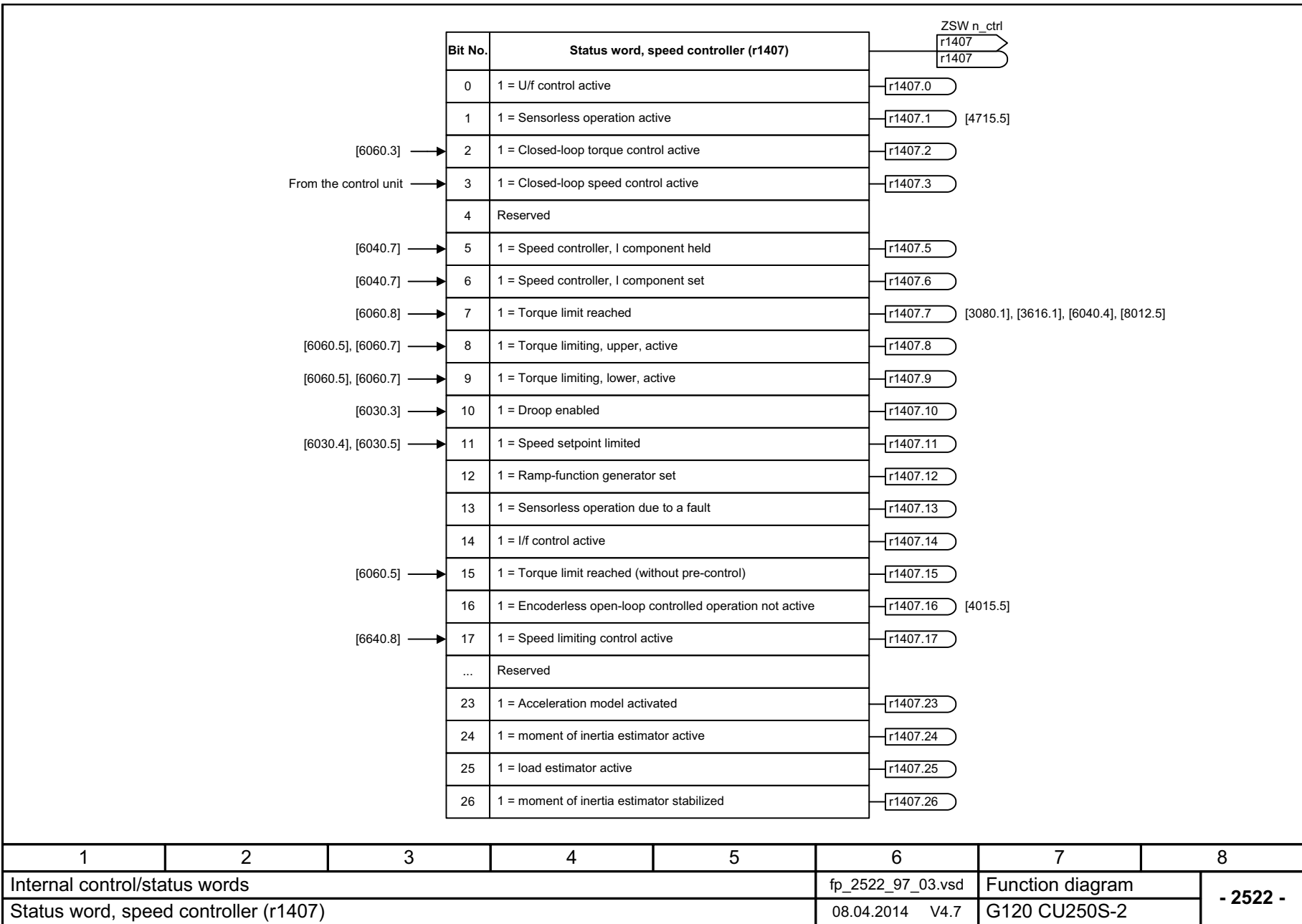


Fig. 3-64 2522 – Status word, speed controller (r1407)

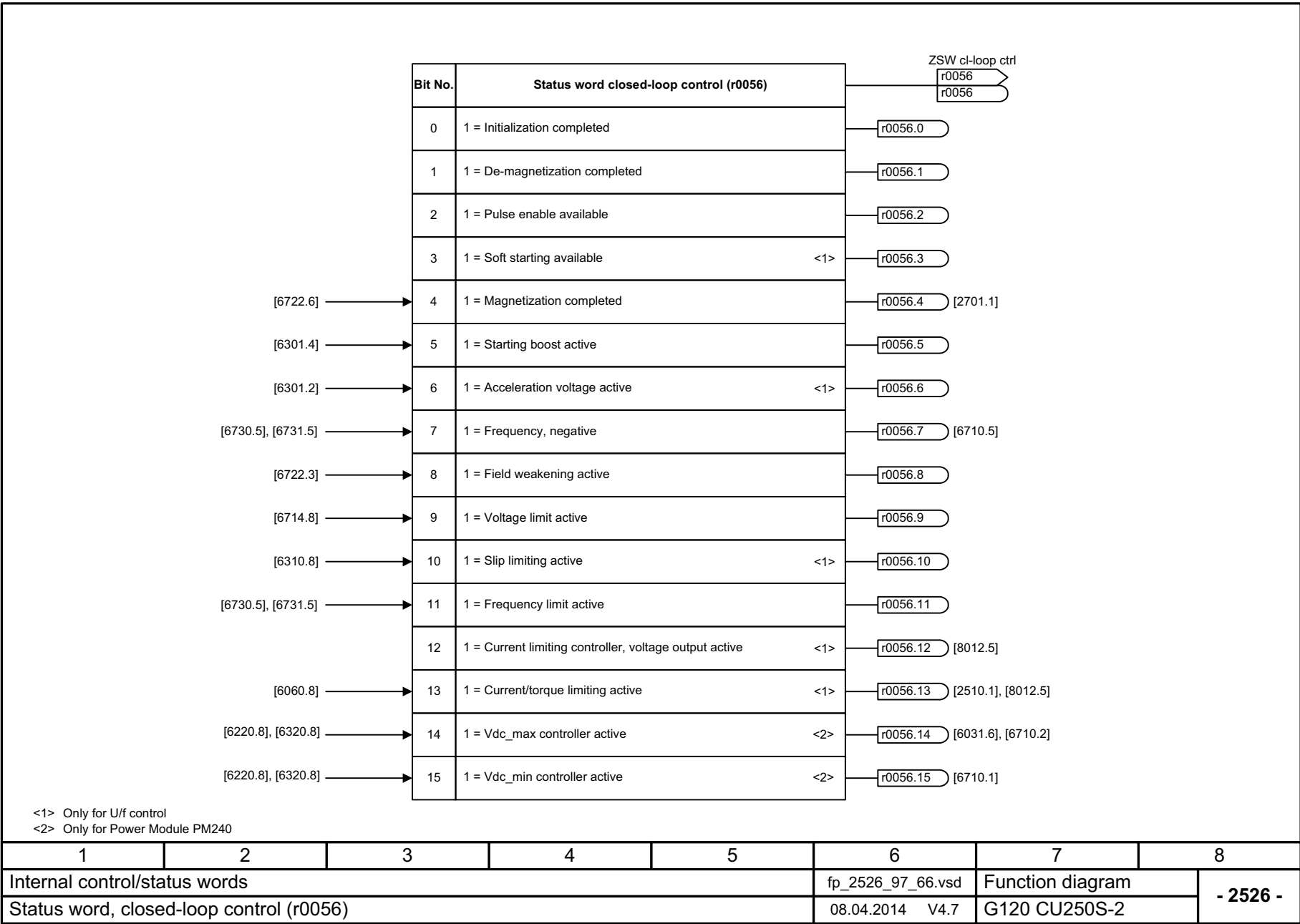


Fig. 3-65 2526 – Status word, closed-loop control (r0056)

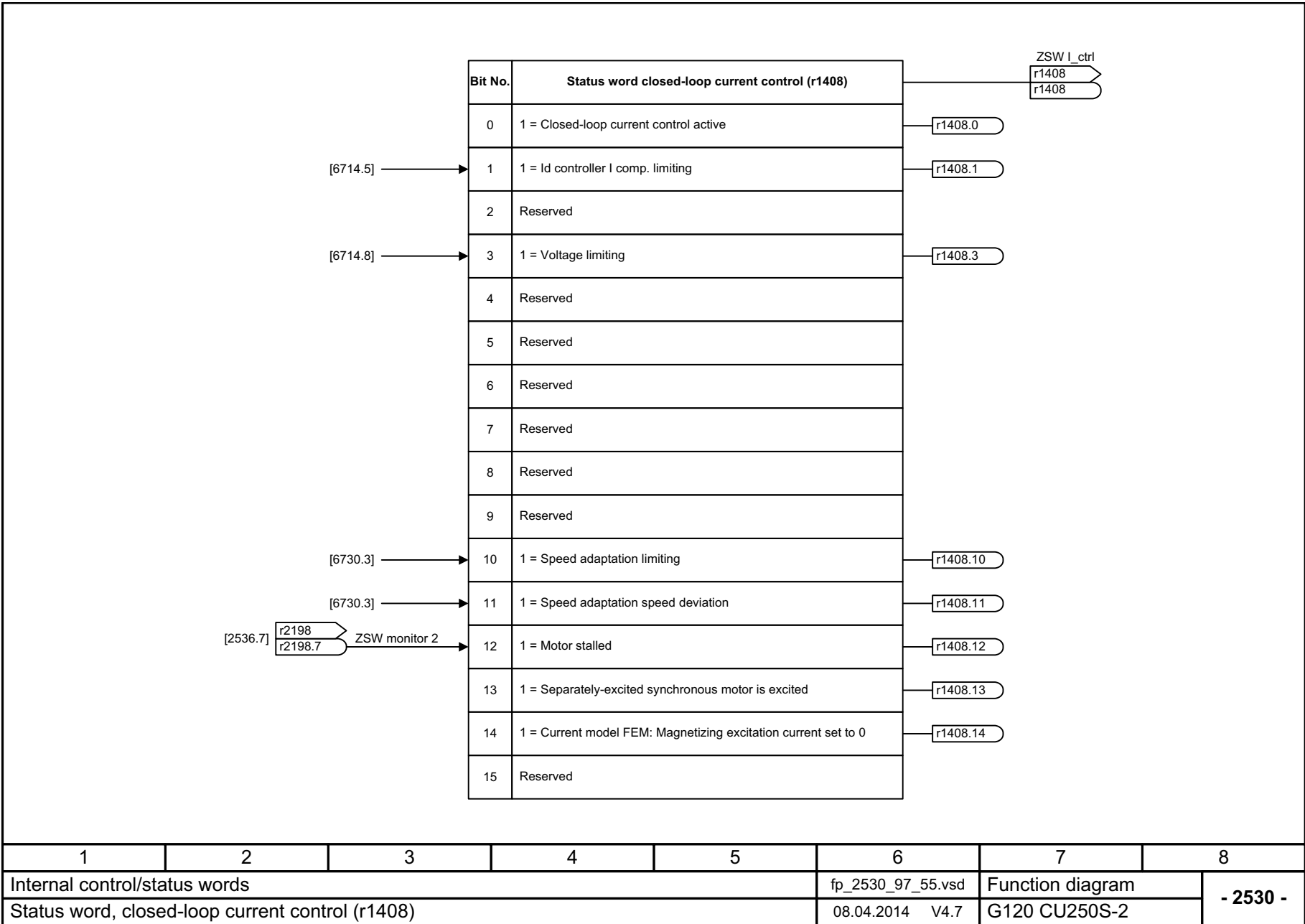


Fig. 3-66 2530 – Status word, closed-loop current control (r1408)

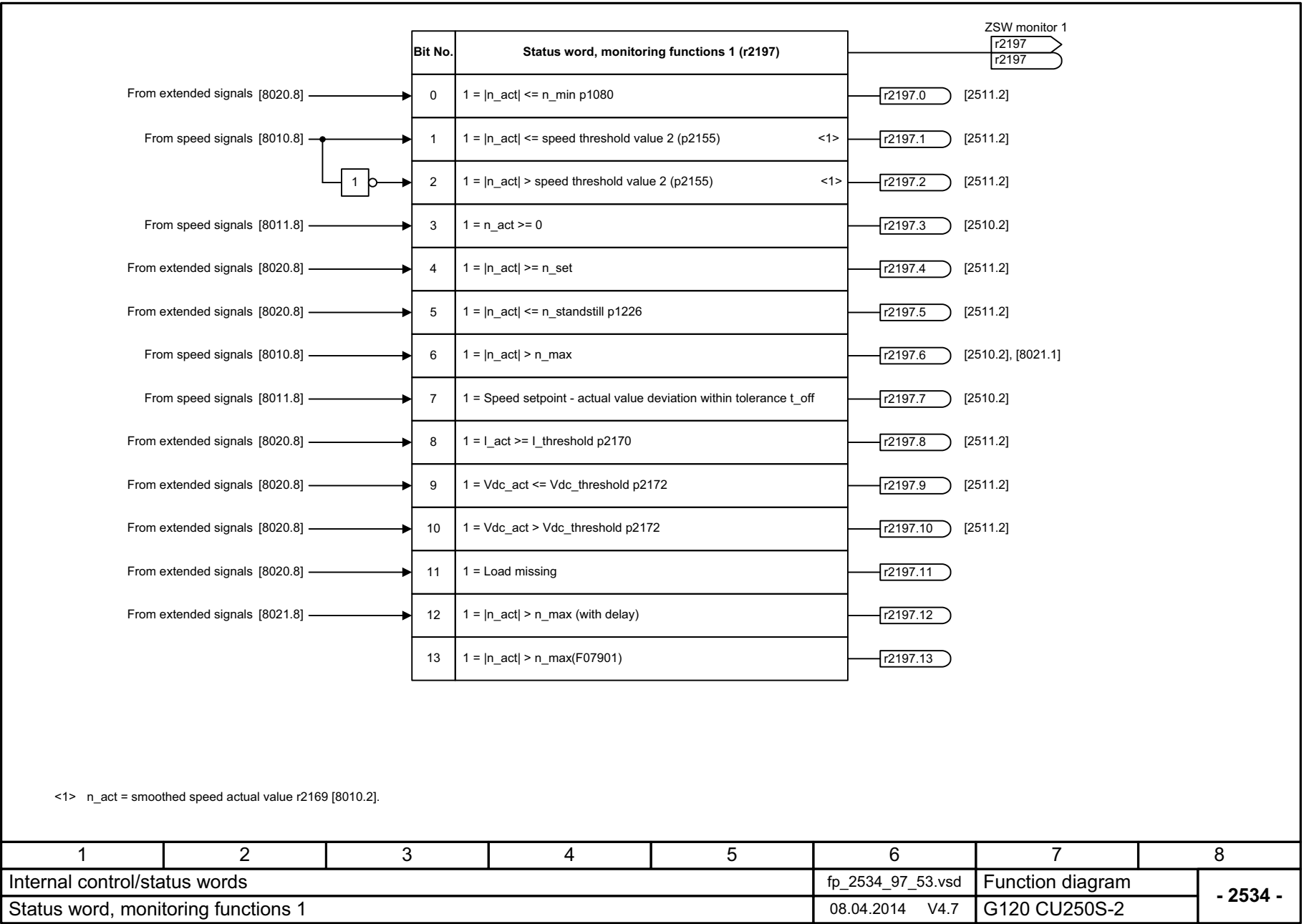


Fig. 3-67 2534 – Status word, monitoring functions 1

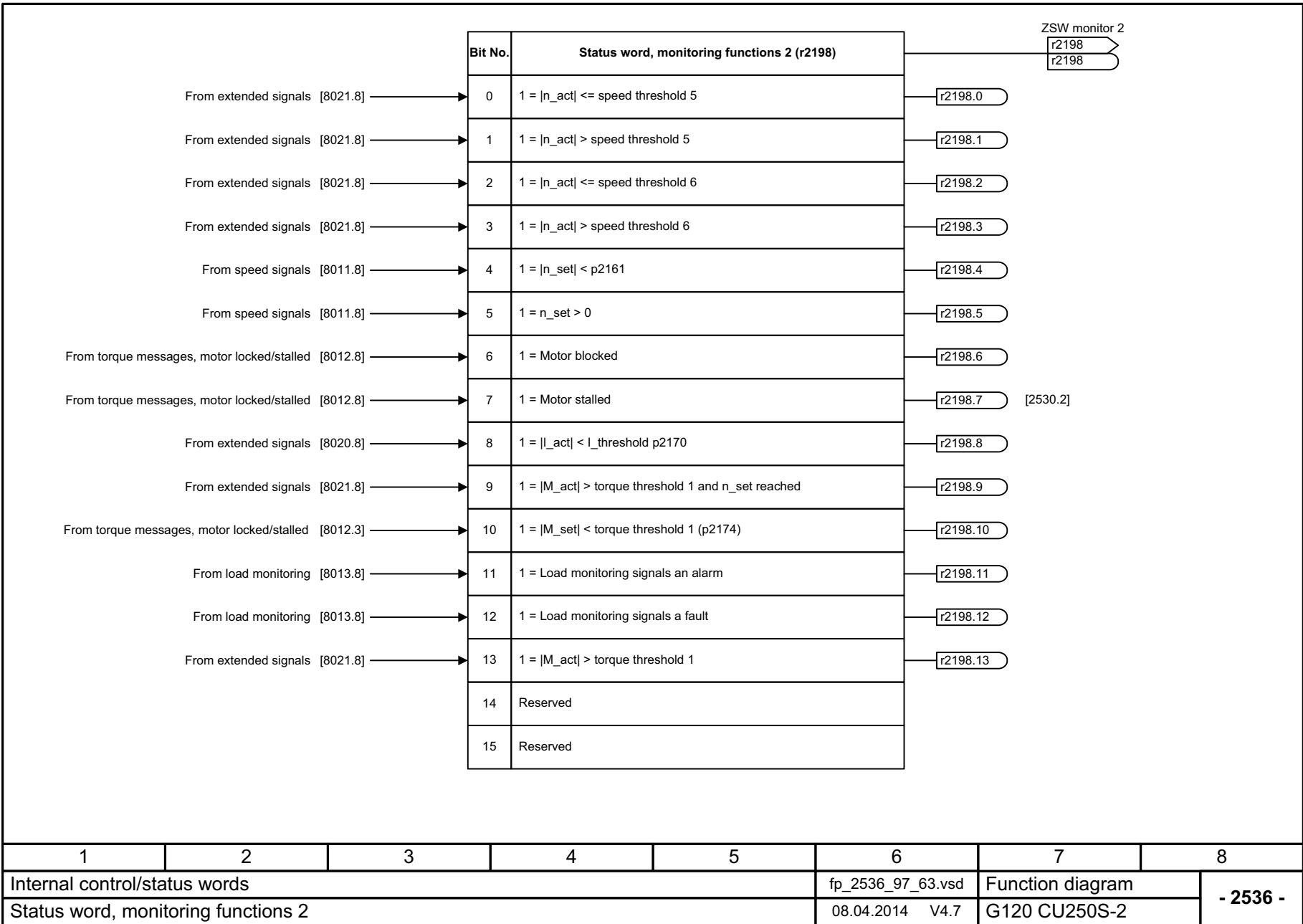
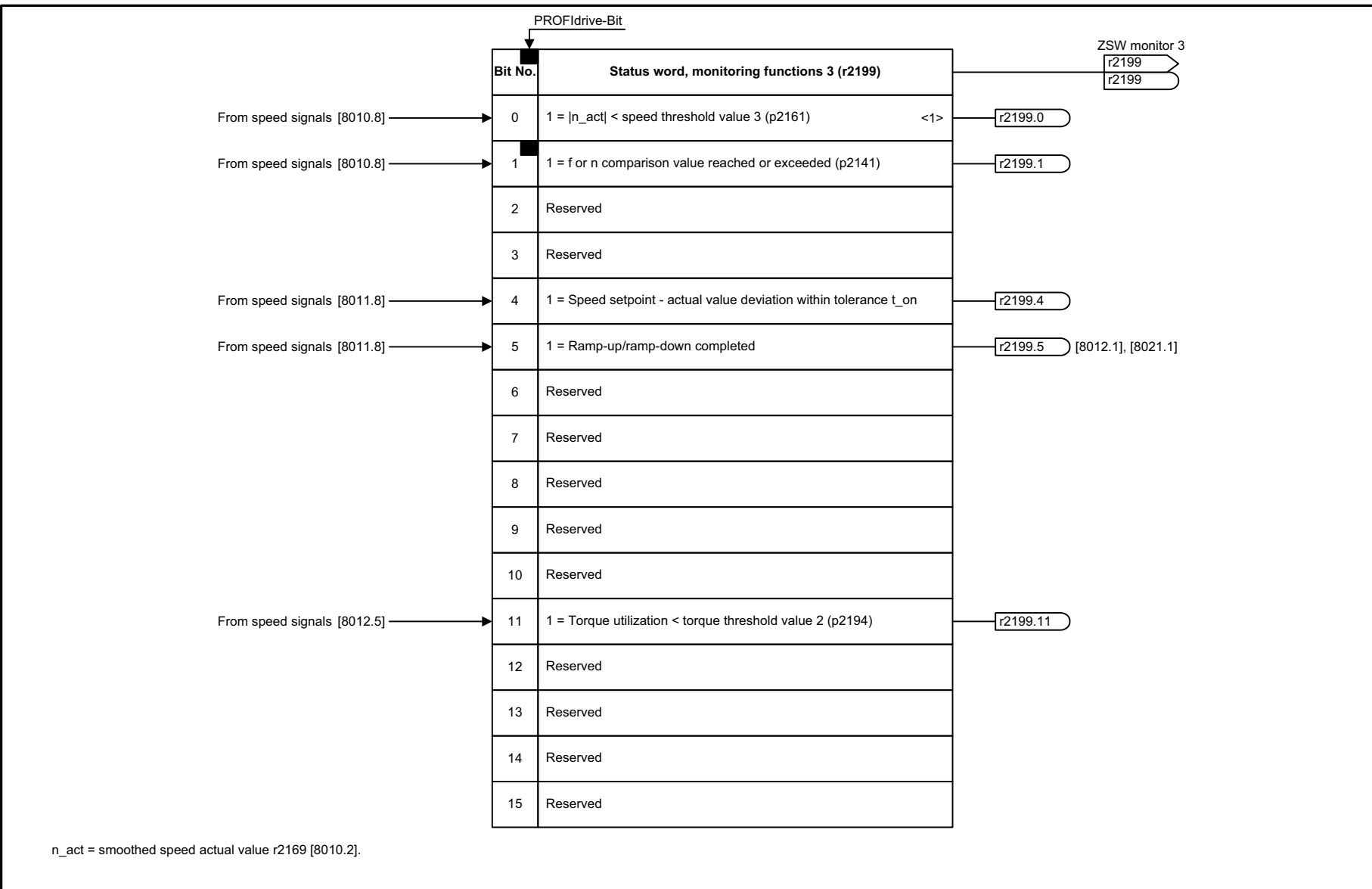


Fig. 3-68 2536 – Status word, monitoring functions 2



1	2	3	4	5	6	7	8
Internal control/status words					fp_2537_97_63.vsd	Function diagram	
Status word, monitoring functions 3					08.04.2014 V4.7	G120 CU250S-2	
- 2537 -							

Fig. 3-69 2537 – Status word, monitoring functions 3

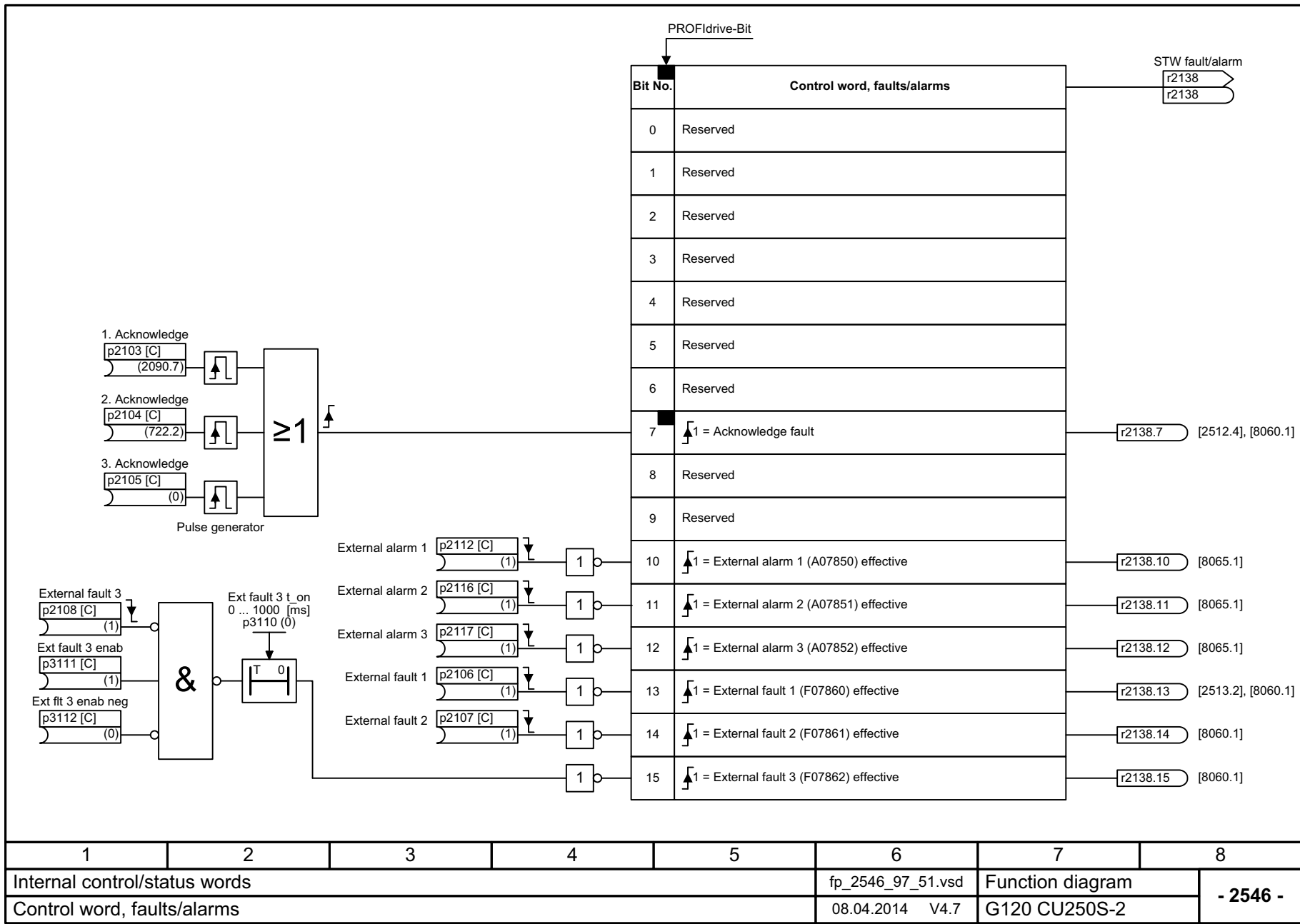


Fig. 3-70 2546 – Control word, faults/alarms

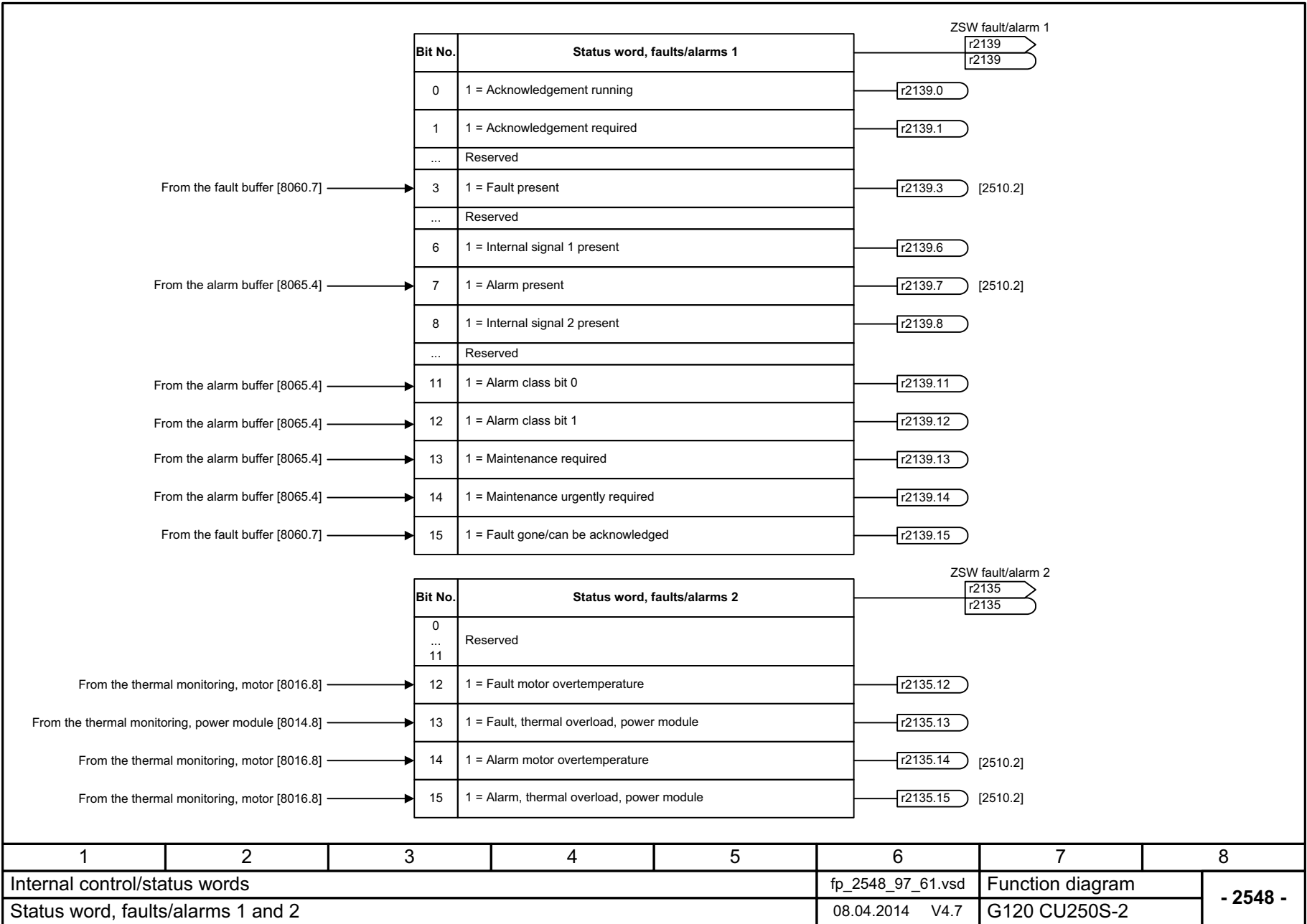
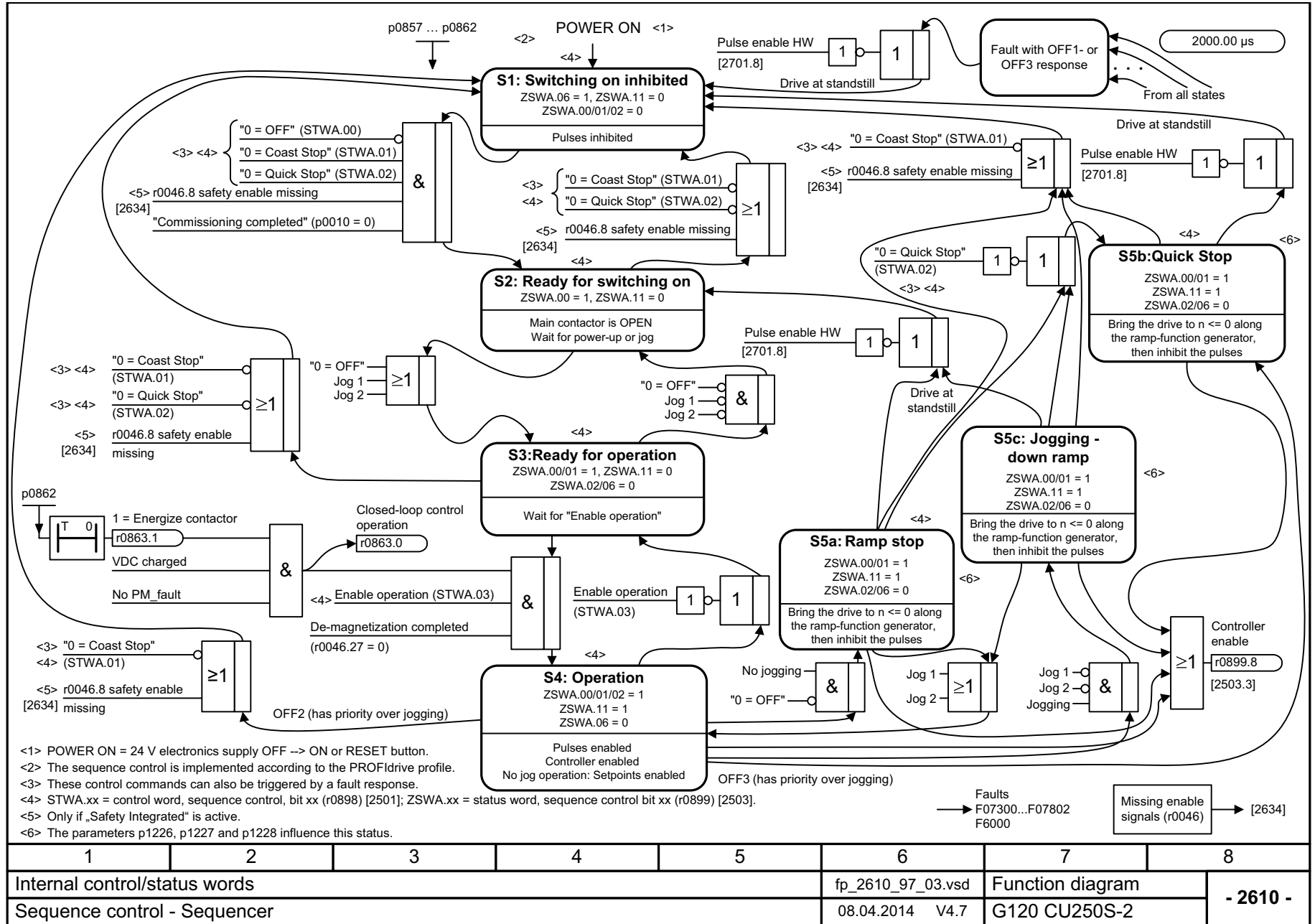


Fig. 3-71 2548 – Status word, faults/alarms 1 and 2

Fig. 3-72 2610 – Sequence control - sequencer



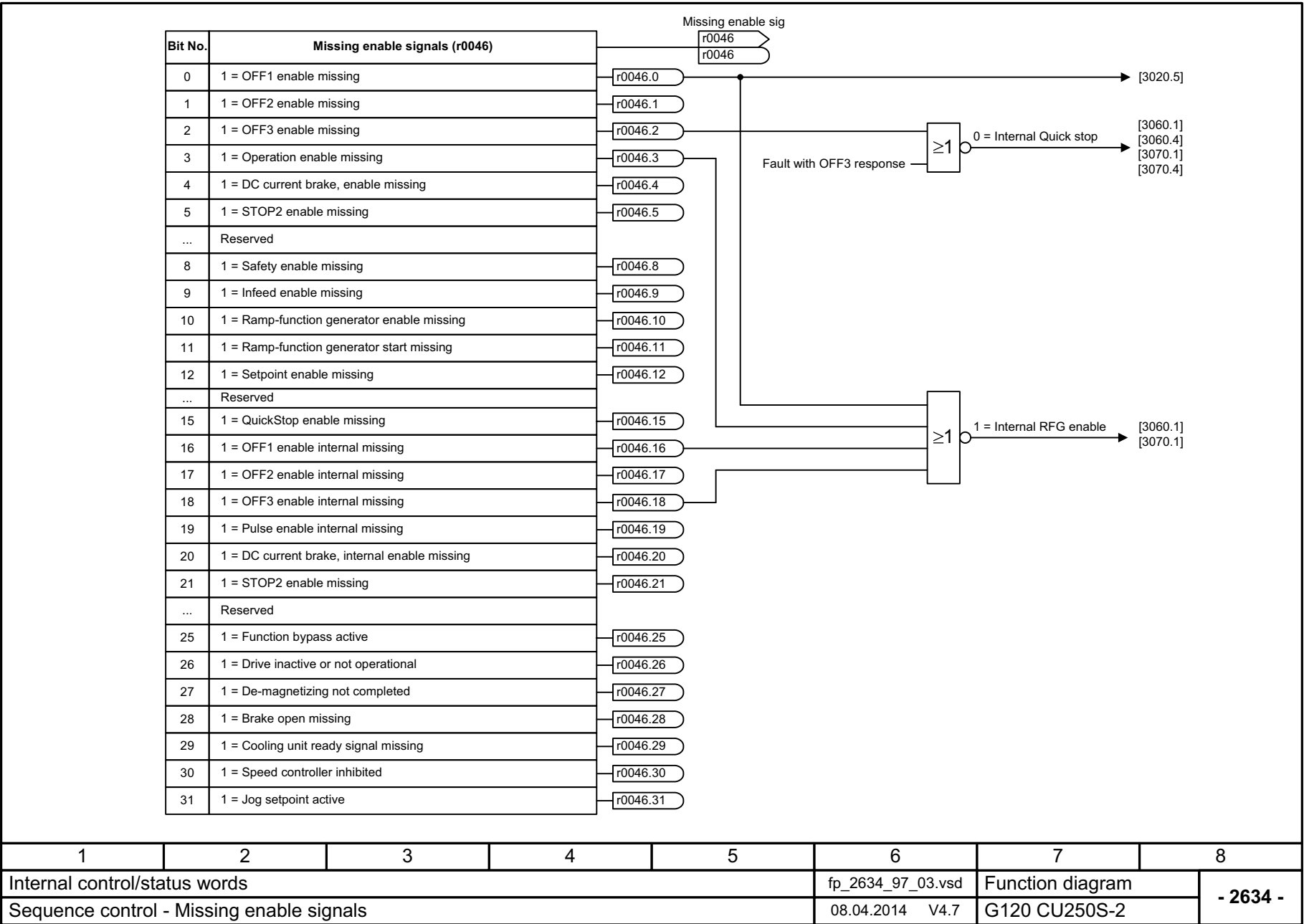


Fig. 3-73 2634 – Sequence control - Missing enable signals (vector control)

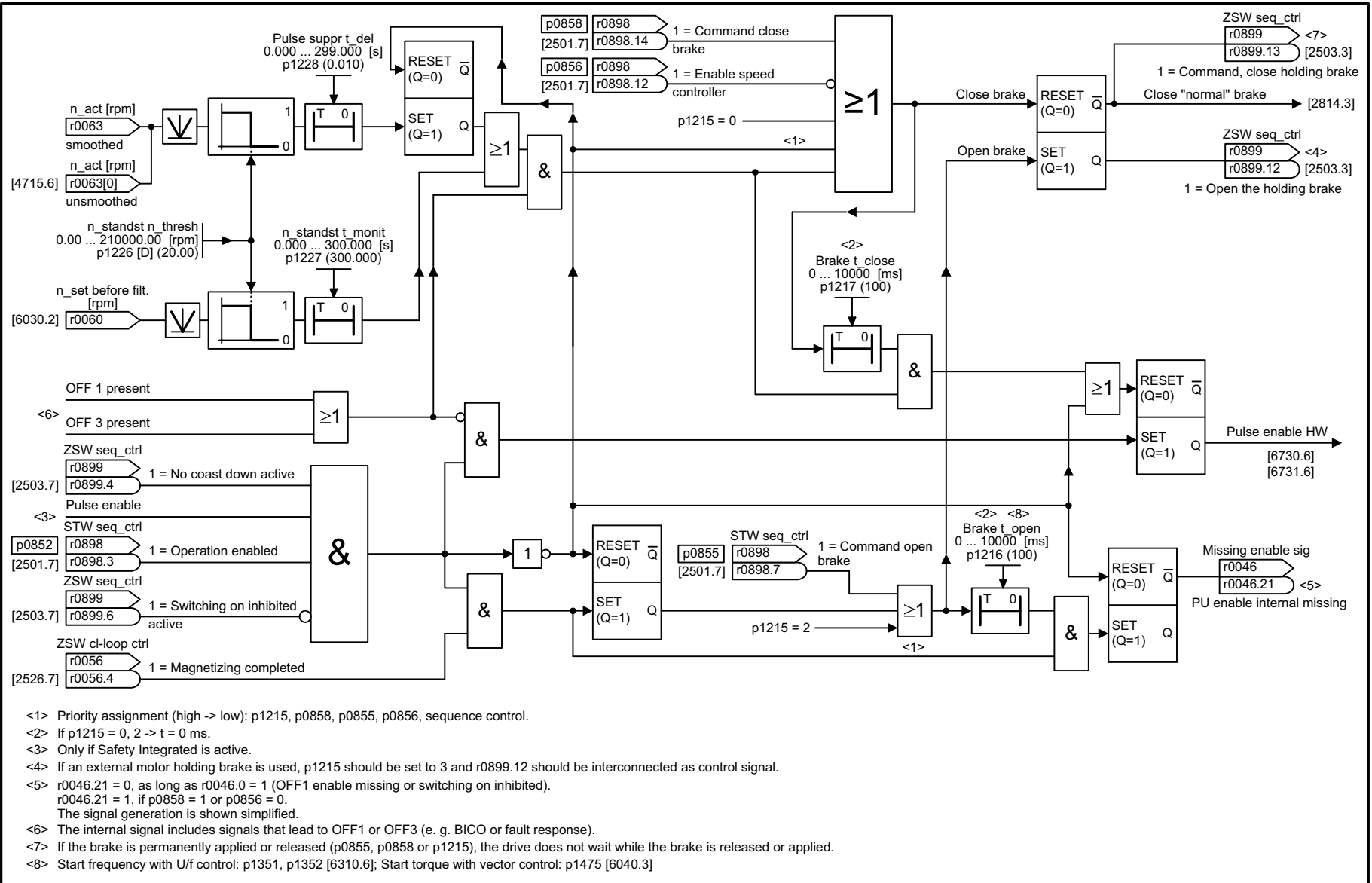
1	2	3	4	5	6	7	8
Internal control/status words					fp_2634_97_03.vsd	Function diagram	
Sequence control - Missing enable signals					08.04.2014 V4.7	G120 CU250S-2	
- 2634 -							

3.9 Brake control

Function diagrams

2701 – Basic brake control

770



- <1> Priority assignment (high -> low): p1215, p0858, p0855, p0856, sequence control.
- <2> If p1215 = 0, 2 -> t = 0 ms.
- <3> Only if Safety Integrated is active.
- <4> If an external motor holding brake is used, p1215 should be set to 3 and r0899.12 should be interconnected as control signal.
- <5> r0046.21 = 0, as long as r0046.0 = 1 (OFF1 enable missing or switching on inhibited).
r0046.21 = 1, if p0858 = 1 or p0856 = 0.
The signal generation is shown simplified.
- <6> The internal signal includes signals that lead to OFF1 or OFF3 (e. g. BICO or fault response).
- <7> If the brake is permanently applied or released (p0855, p0858 or p1215), the drive does not wait while the brake is released or applied.
- <8> Start frequency with U/f control: p1351, p1352 [6310.6]; Start torque with vector control: p1475 [6040.3]

Fig. 3-74 2701 – Basic brake control

1	2	3	4	5	6	7	8
Brake Control					fp_2701_97_03.vsd	Function diagram	
Basic brake control					08.04.2014 V4.7	G120 CU250S-2	
							- 2701 -

3.10 Safety Integrated Basic Functions

Function diagrams

2800 – Parameter manager	772
2802 – Monitoring functions and faults/alarms	773
2804 – Status words	774
2810 – STO (Safe Torque Off), SS1 (Safe Stop 1)	775
2812 – F-DI (Fail-safe Digital Input)	776
2814 – SBC (Safe Brake Control)	777

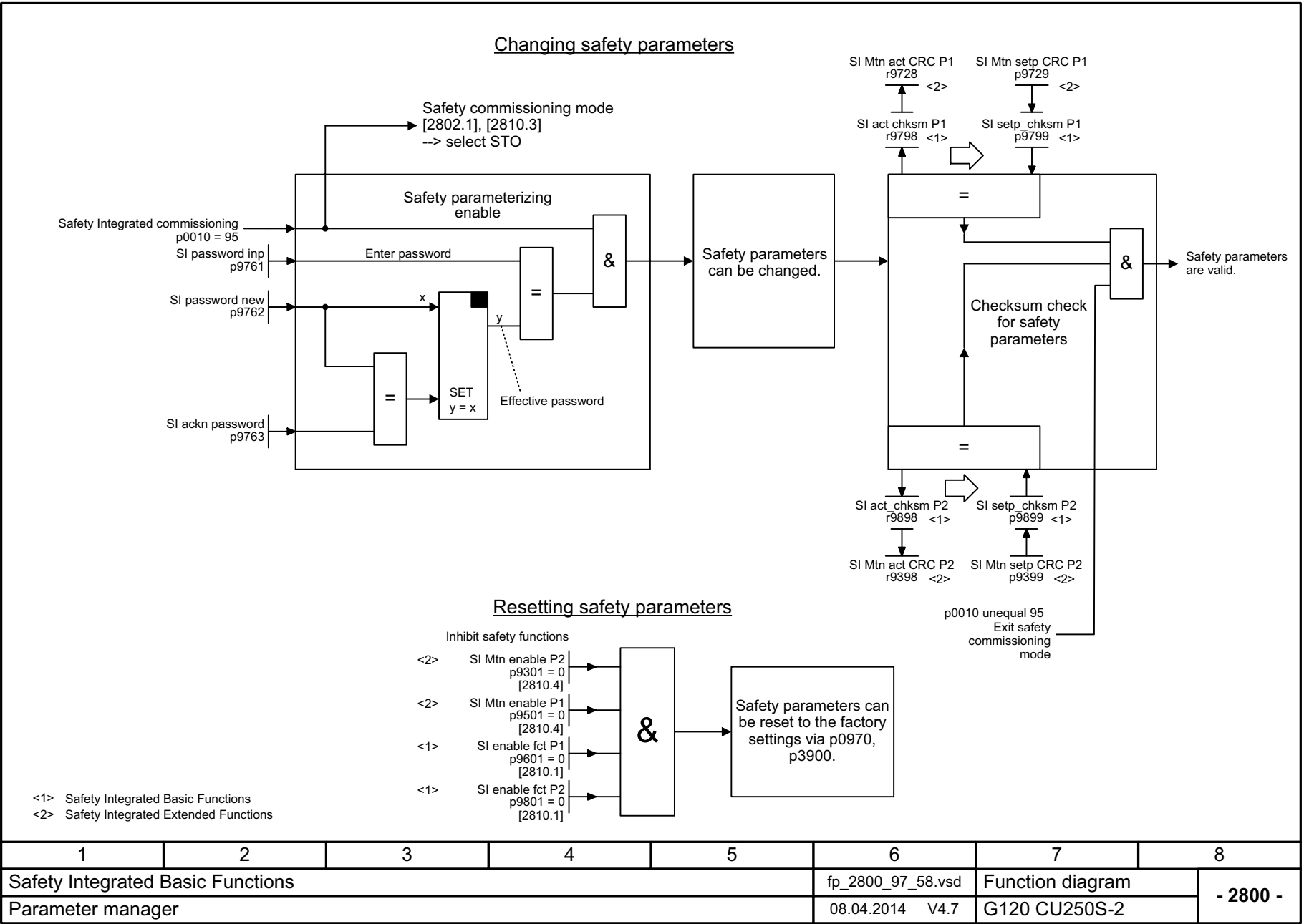
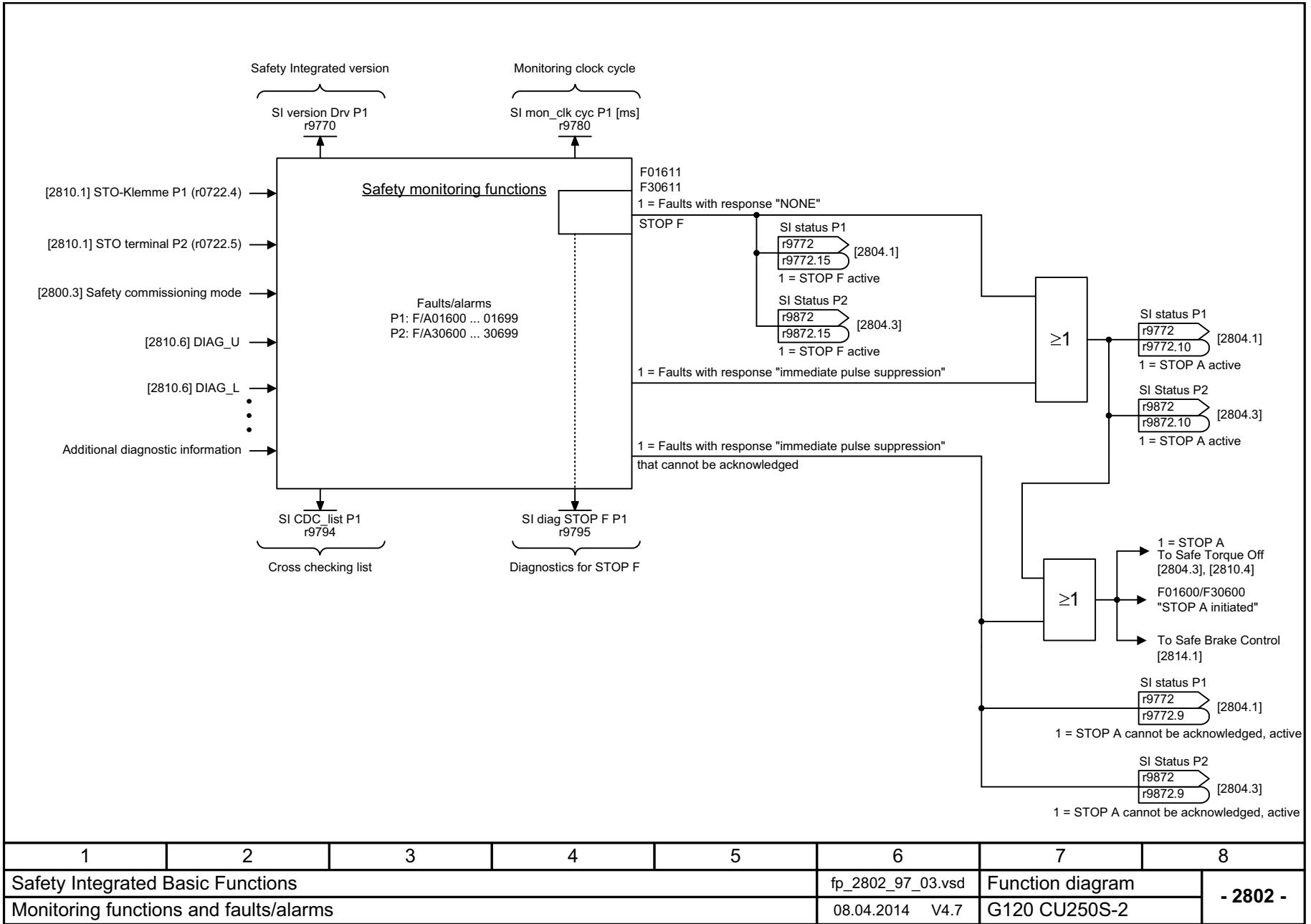


Fig. 3-75 2800 – Parameter manager

Fig. 3-76 2802 – Monitoring functions and faults/alarms



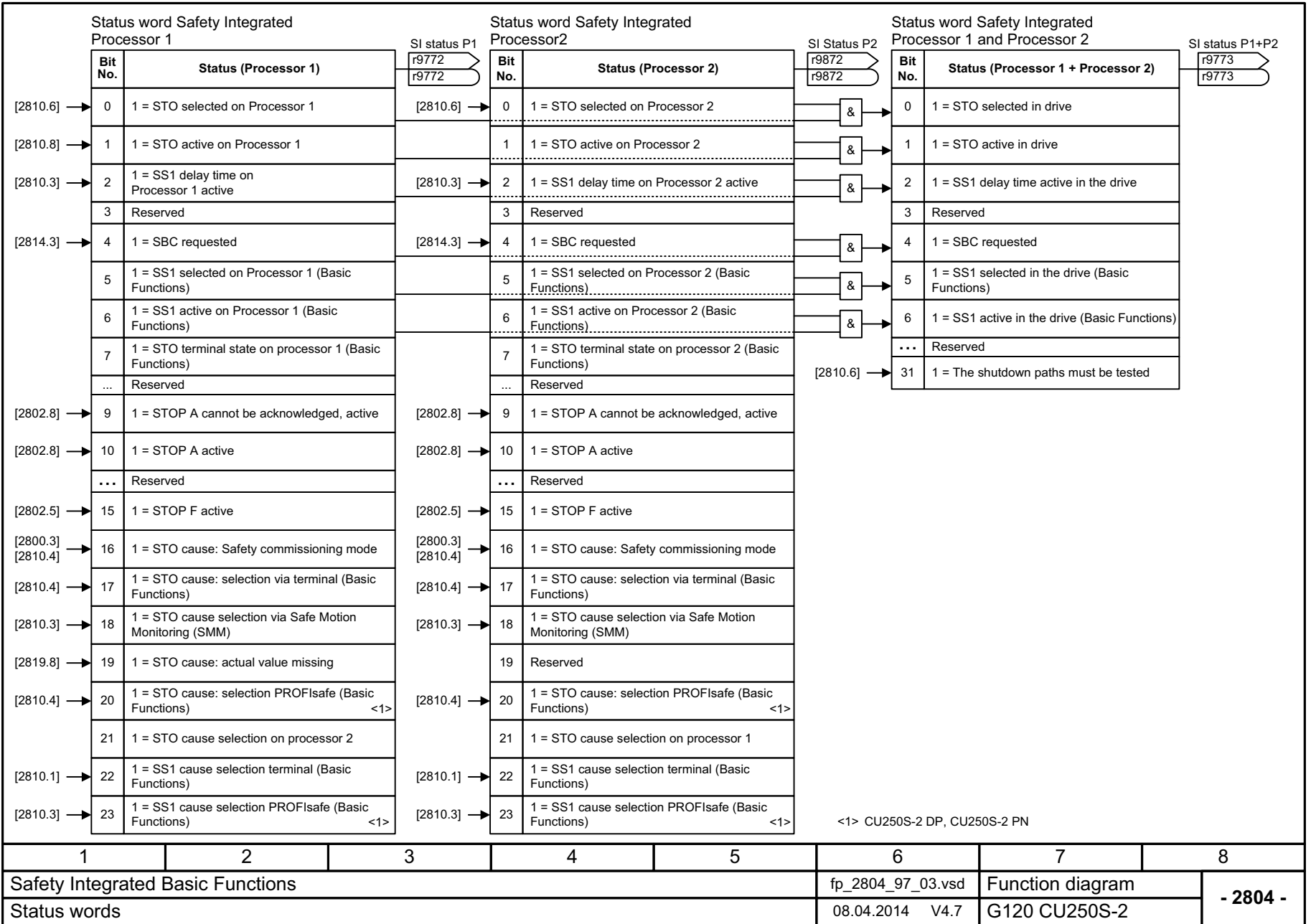
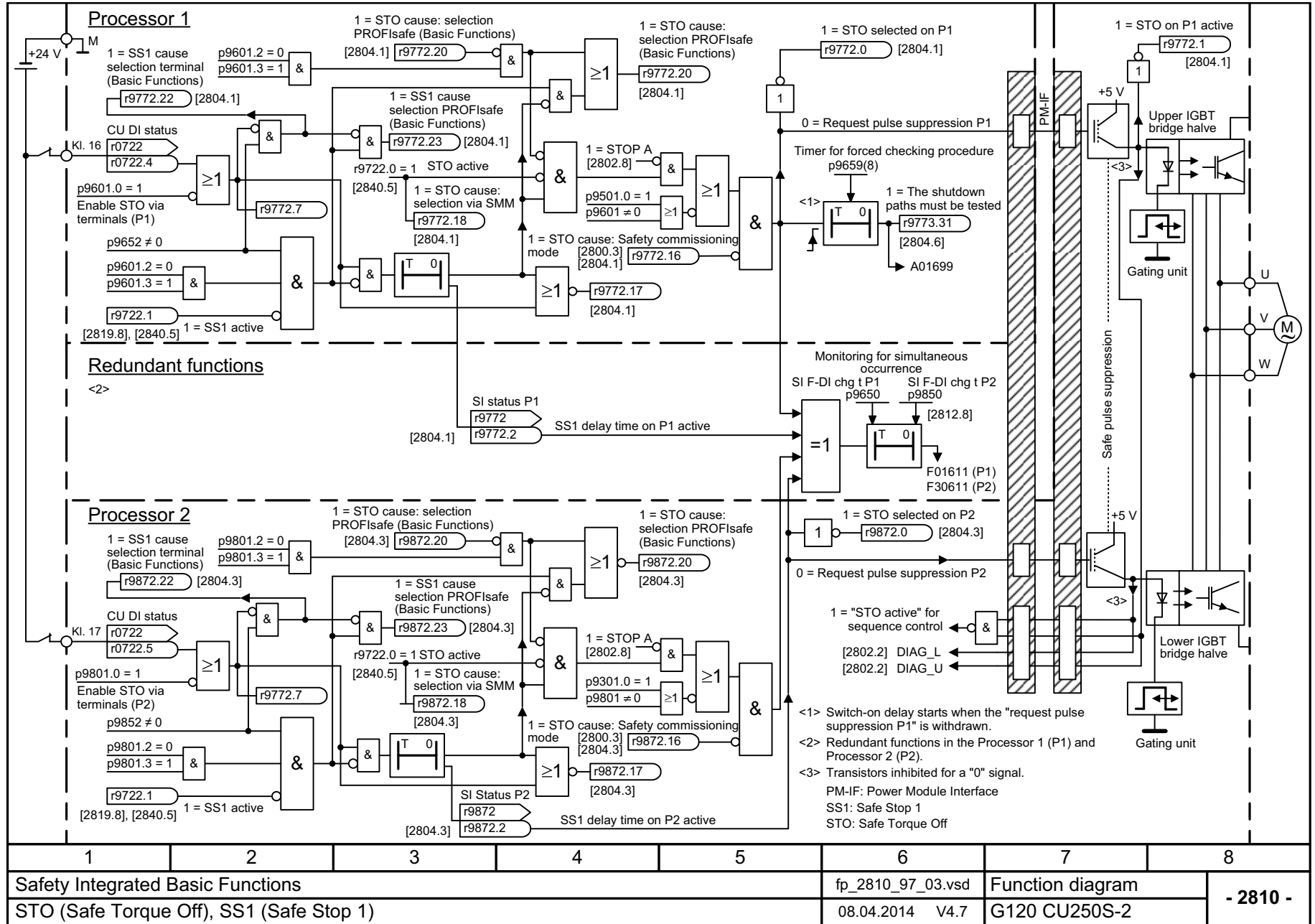


Fig. 3-77 2804 - Status words

Fig. 3-78 2810 – STO (Safe Torque Off), SS1 (Safe Stop 1)



1	2	3	4	5	6	7	8
Safety Integrated Basic Functions					fp_2810_97_03.vsd	Function diagram	
STO (Safe Torque Off), SS1 (Safe Stop 1)					08.04.2014 V4.7	G120 CU250S-2	
- 2810 -							

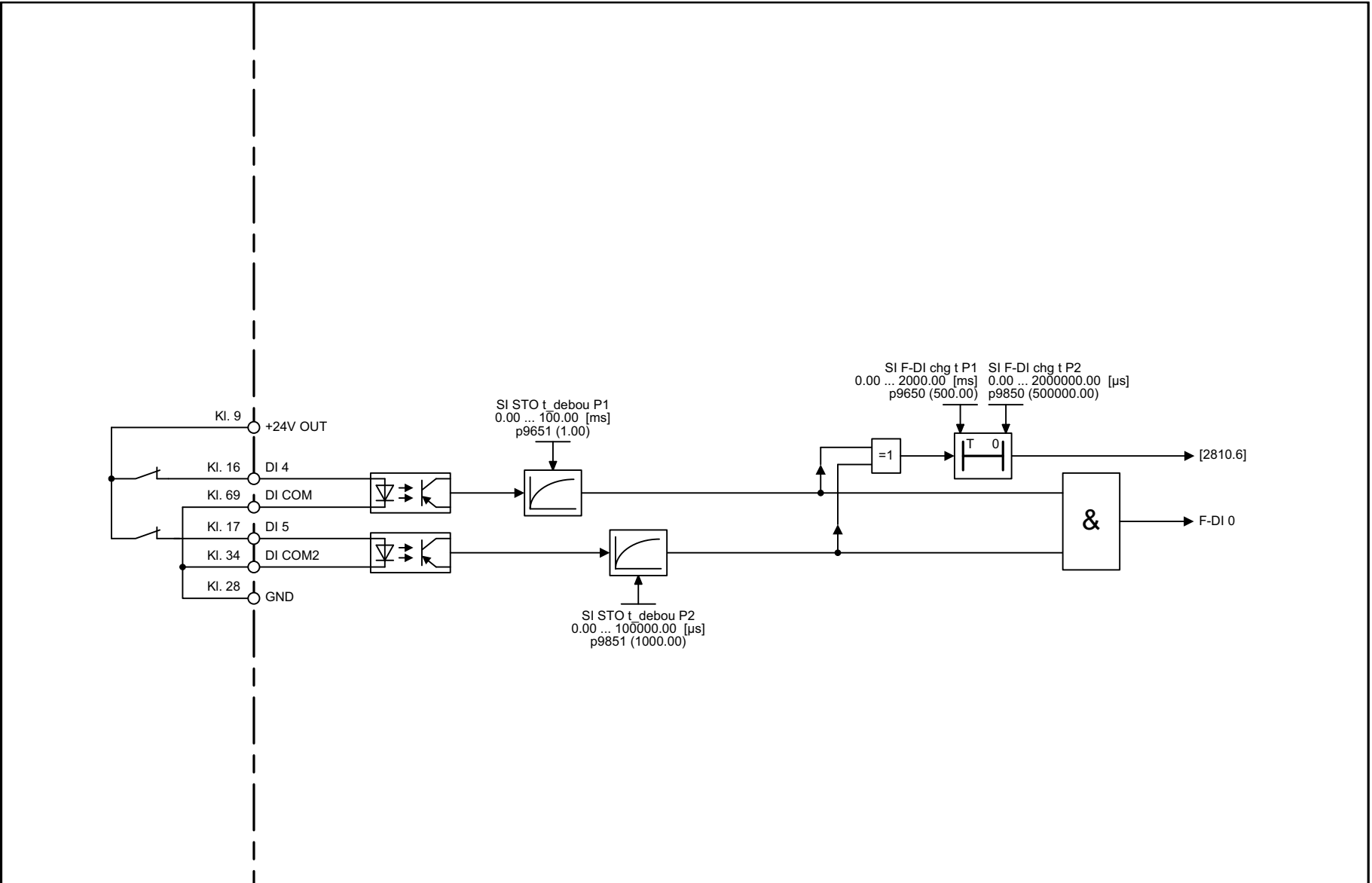
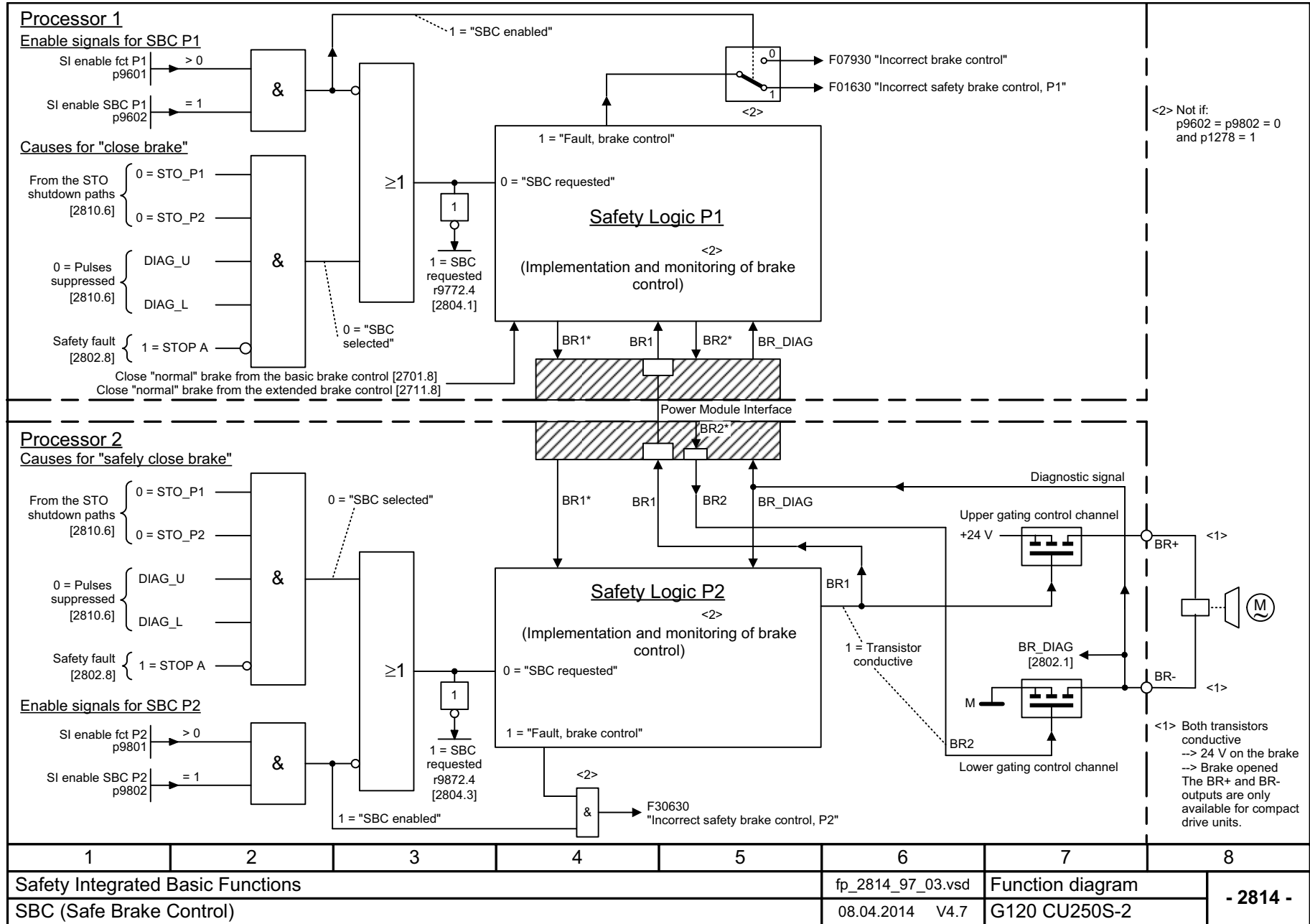


Fig. 3-79 2812 – F-DI (Fail-safe Digital Input)

1	2	3	4	5	6	7	8
Safety Integrated Basic Functions					fp_2812_97_66.vsd	Function diagram	
F-DI (Fail-safe Digital Input)					08.04.2014 V4.7	G120 CU250S-2	
- 2812 -							

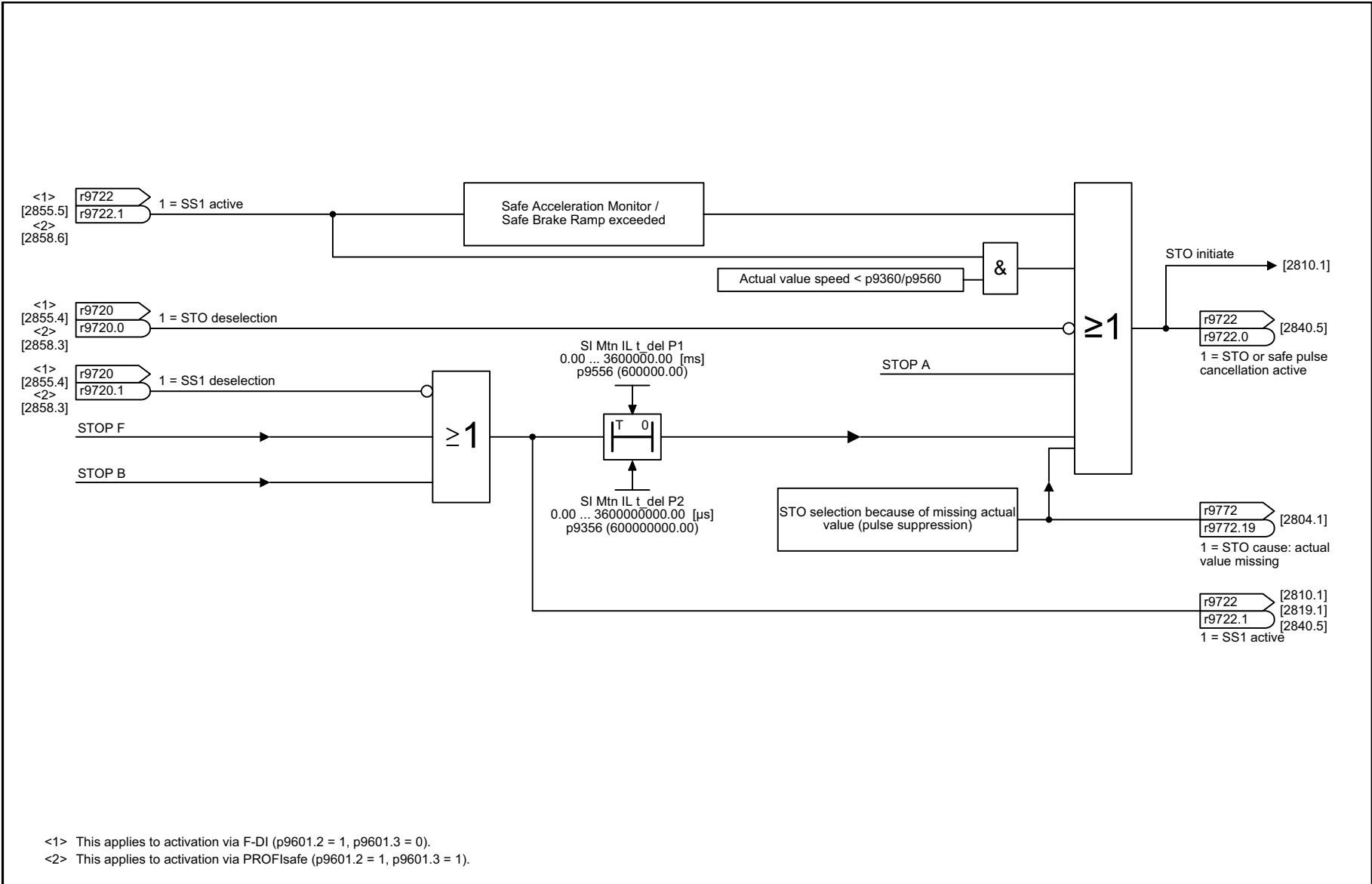
Fig. 3-80 2814 – SBC (Safe Brake Control)



3.11 Safety Integrated Extended Functions

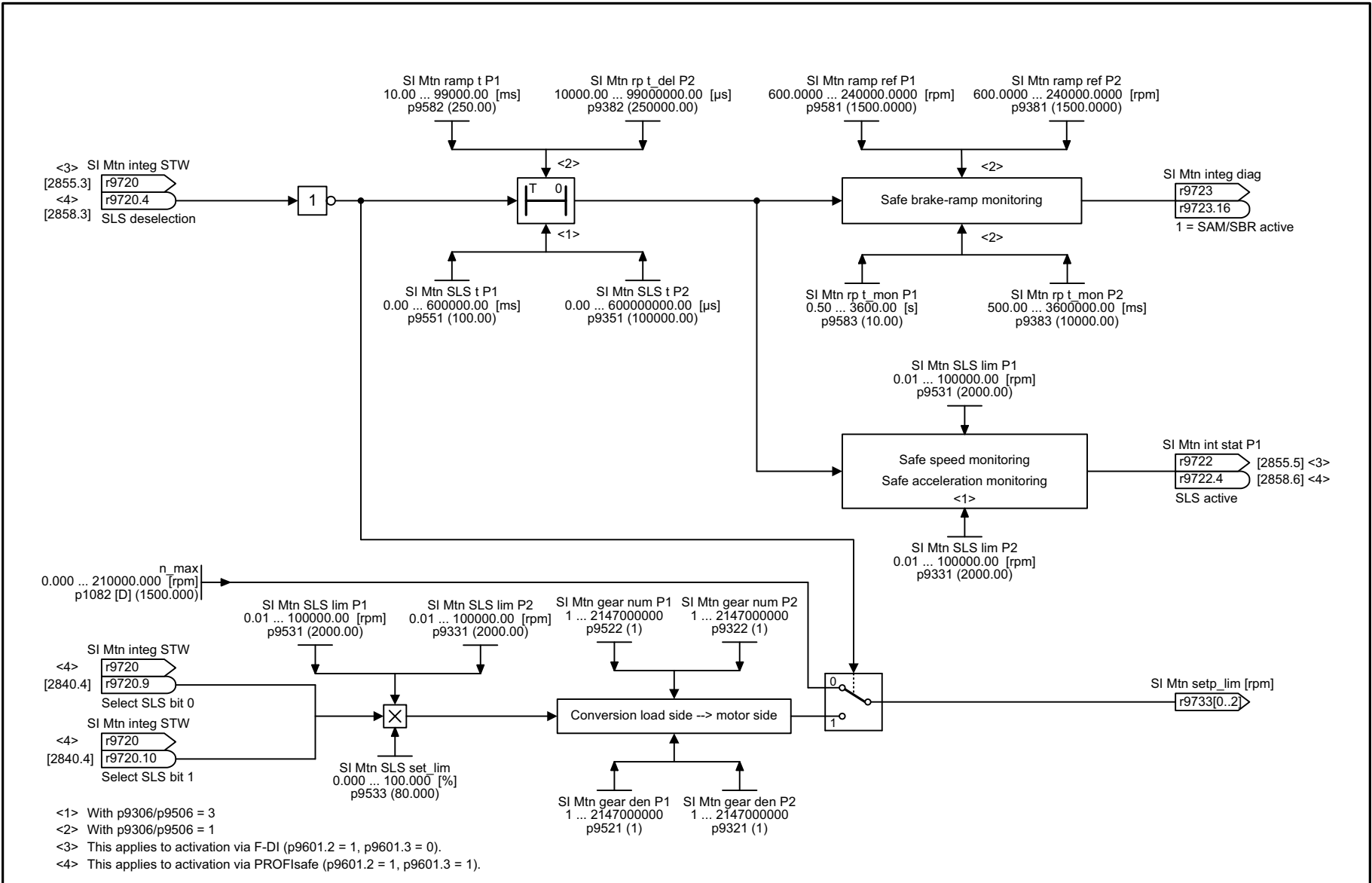
Function diagrams

2819 – SS1 (Safe Stop 1), internal STOP A, B, F	779
2820 – SLS (Safely-Limited Speed)	780
2823 – SSM (Safe Speed Monitor)	781
2824 – SDI (Safe Direction)	782
2840 – Control and status word	783
2850 – Fail-safe digital inputs (F-DI 0 ... F-DI 2)	784
2853 – Fail-safe digital output (F-DO 0)	785
2855 – Extended Functions via F-DI (p9601.2 = 1 and p9601.3 = 0)	786
2856 – Safe state selection	787
2857 – F-DO assignment	788
2858 – Extended functions via PROFIsafe (9601.2 = 1 and 9601.3 = 1)	789



1	2	3	4	5	6	7	8
Safety Integrated Extended Functions					fp_2819_97_58.vsd	Function diagram	
SS1 (Safe Stop 1), internal STOP A, B, F					08.04.2014 V4.7	G120 CU250S-2	
- 2819 -							

Fig. 3-81 2819 – SS1 (Safe Stop 1), internal STOP A, B, F



<3> SI Mtn integ STW
[2855.3] r9720
<4> r9720.4
[2858.3] SLS deselection

SI Mtn integ diag
r9723
r9723.16
1 = SAM/SBR active

SI Mtn int stat P1
r9722 [2855.5] <3>
r9722.4 [2858.6] <4>
SLS active

SI Mtn setp_lim [rpm]
r9733[0..2]

n_max |
0.000 ... 210000.000 [rpm]
p1082 [D] (1500.000)

SI Mtn integ STW
<4> r9720
[2840.4] r9720.9
Select SLS bit 0
SI Mtn integ STW
<4> r9720
[2840.4] r9720.10
Select SLS bit 1

SI Mtn SLS lim P1
0.01 ... 100000.00 [rpm]
p9531 (2000.00)

SI Mtn SLS lim P2
0.01 ... 100000.00 [rpm]
p9331 (2000.00)

SI Mtn gear num P1
1 ... 2147000000
p9522 (1)

SI Mtn gear num P2
1 ... 2147000000
p9322 (1)

SI Mtn SLS set_lim
0.000 ... 100.000 [%]
p9533 (80.000)

SI Mtn gear den P1
1 ... 2147000000
p9521 (1)

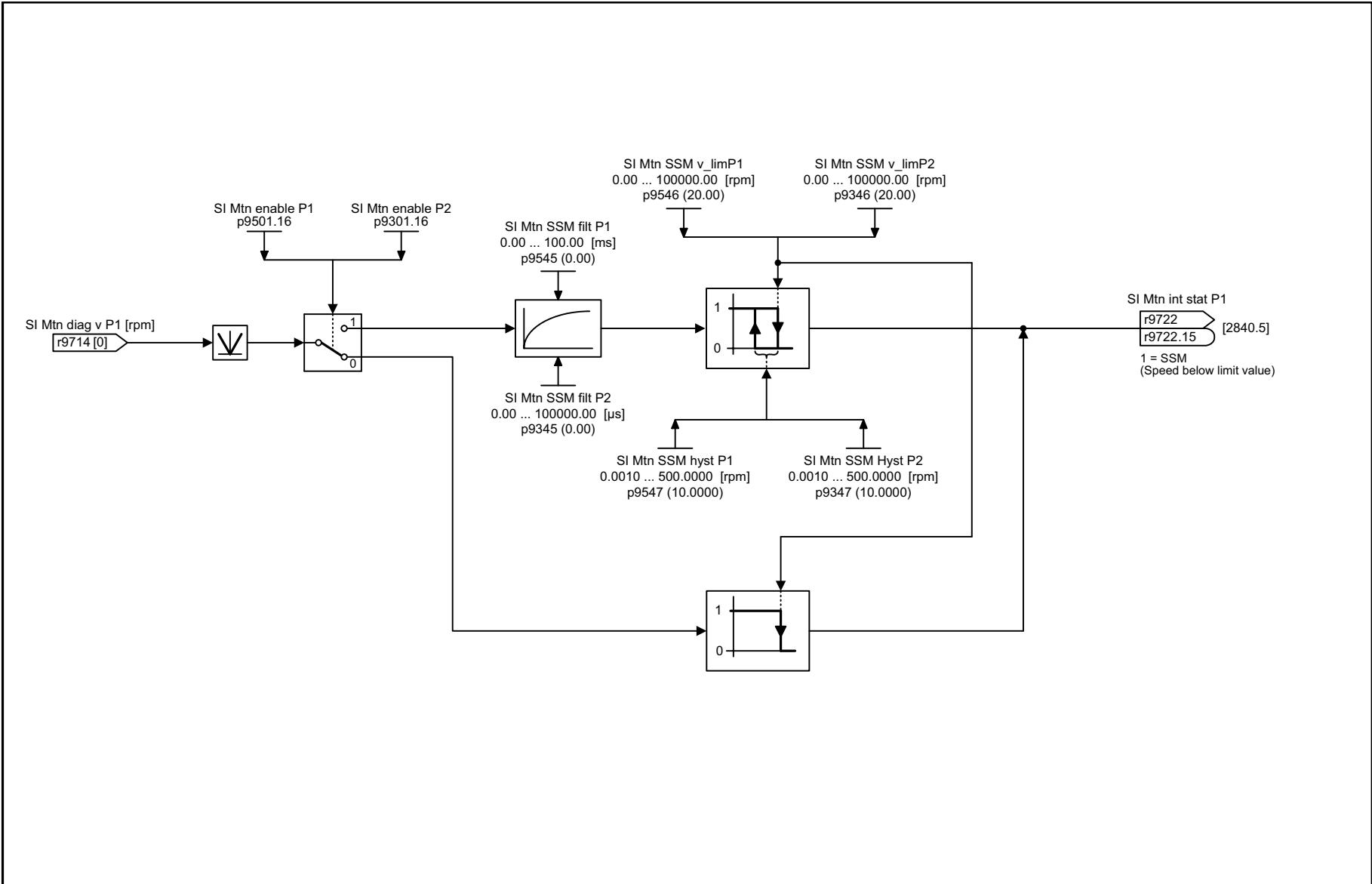
SI Mtn gear den P2
1 ... 2147000000
p9321 (1)

- <1> With p9306/p9506 = 3
- <2> With p9306/p9506 = 1
- <3> This applies to activation via F-DI (p9601.2 = 1, p9601.3 = 0).
- <4> This applies to activation via PROFIsafe (p9601.2 = 1, p9601.3 = 1).

1	2	3	4	5	6	7	8
Safety Integrated Extended Functions					fp_2820_97_58.vsd	Function diagram	
SLS (Safely-Limited Speed)					08.04.2014 V4.7	G120 CU250S-2	

- 2820 -

Fig. 3-82 2820 – SLS (Safely-Limited Speed)



1	2	3	4	5	6	7	8
Safety Integrated Extended Functions					fp_2823_97_58.vsd	Function diagram	
SSM (Safe Speed Monitor)					08.04.2014 V4.7	G120 CU250S-2	
- 2823 -							

Fig. 3-83 2823 – SSM (Safe Speed Monitor)

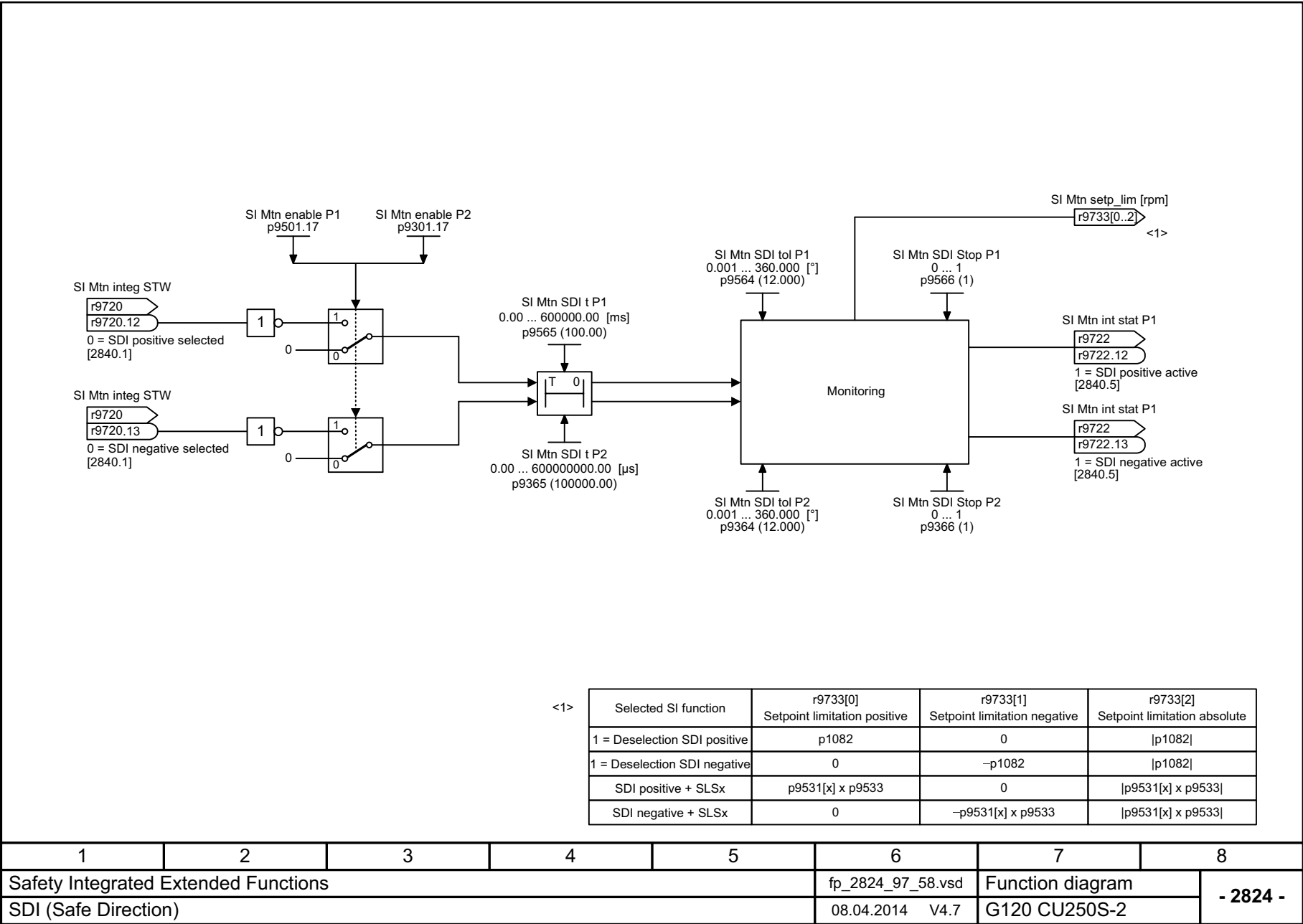


Fig. 3-84 2824 – SDI (Safe Direction)

1	2	3	4	5	6	7	8
Safety Integrated Extended Functions					fp_2824_97_58.vsd	Function diagram	
SDI (Safe Direction)					08.04.2014 V4.7	G120 CU250S-2	
- 2824 -							

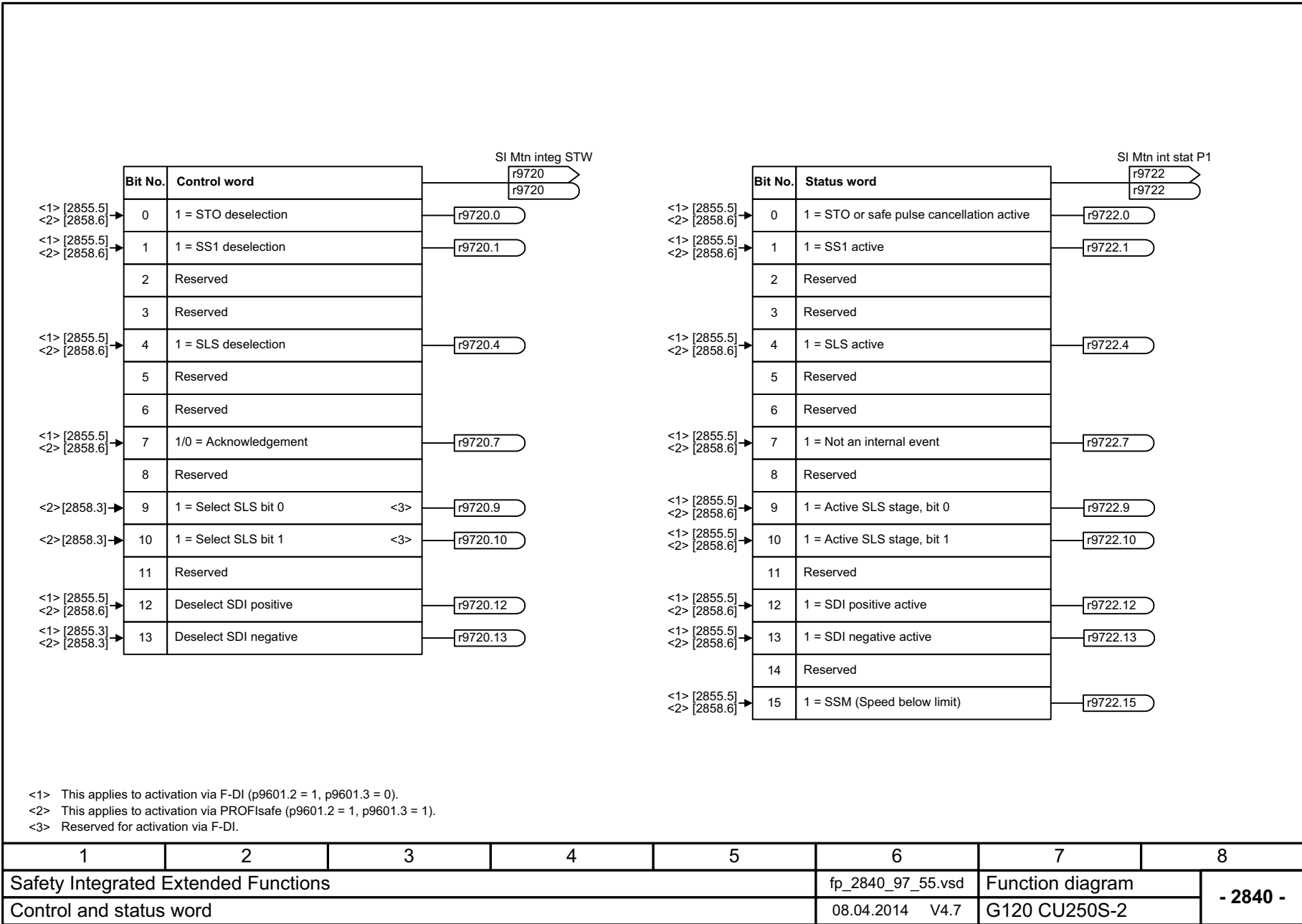


Fig. 3-85 2840 – Control and status word

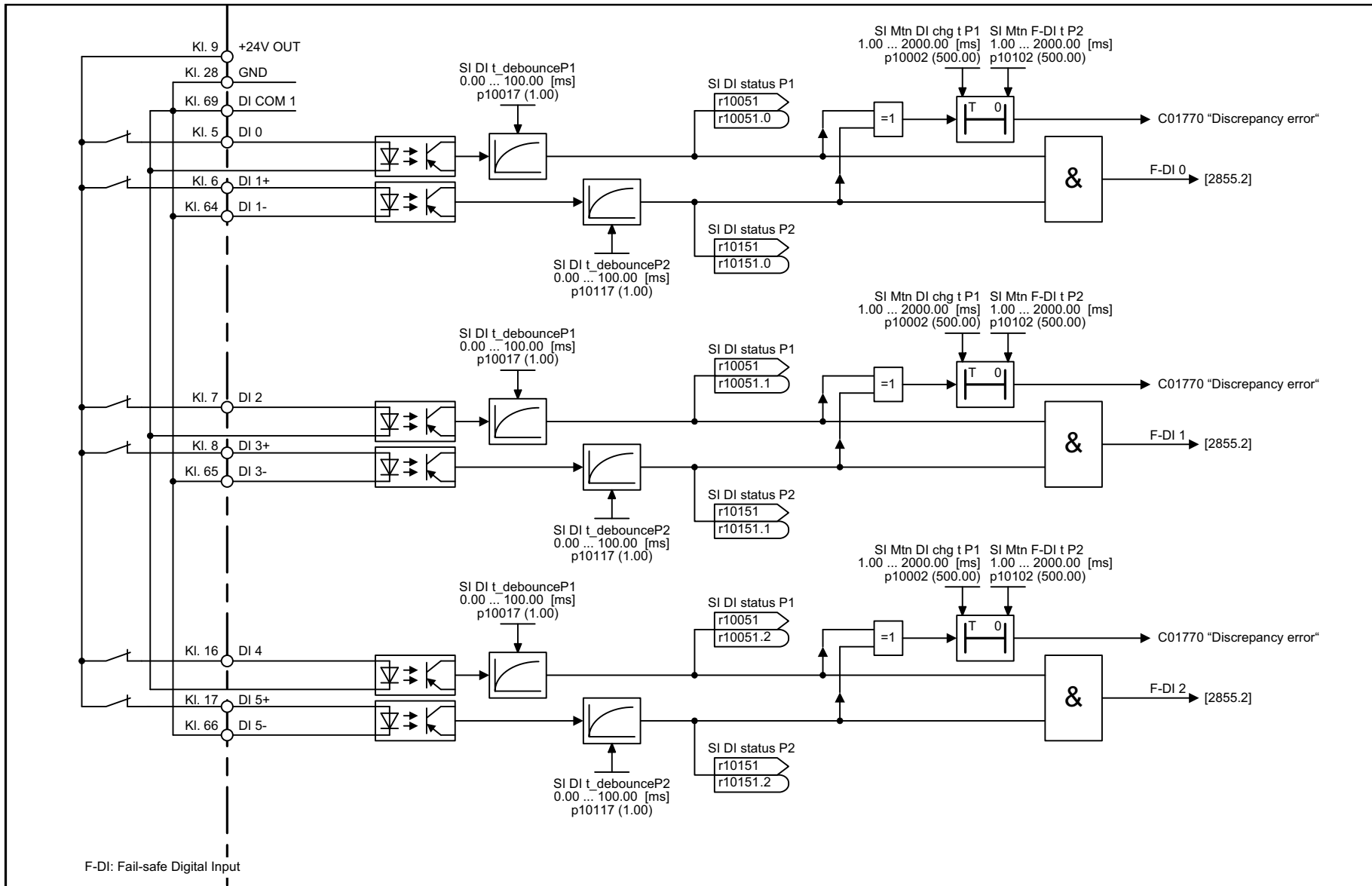
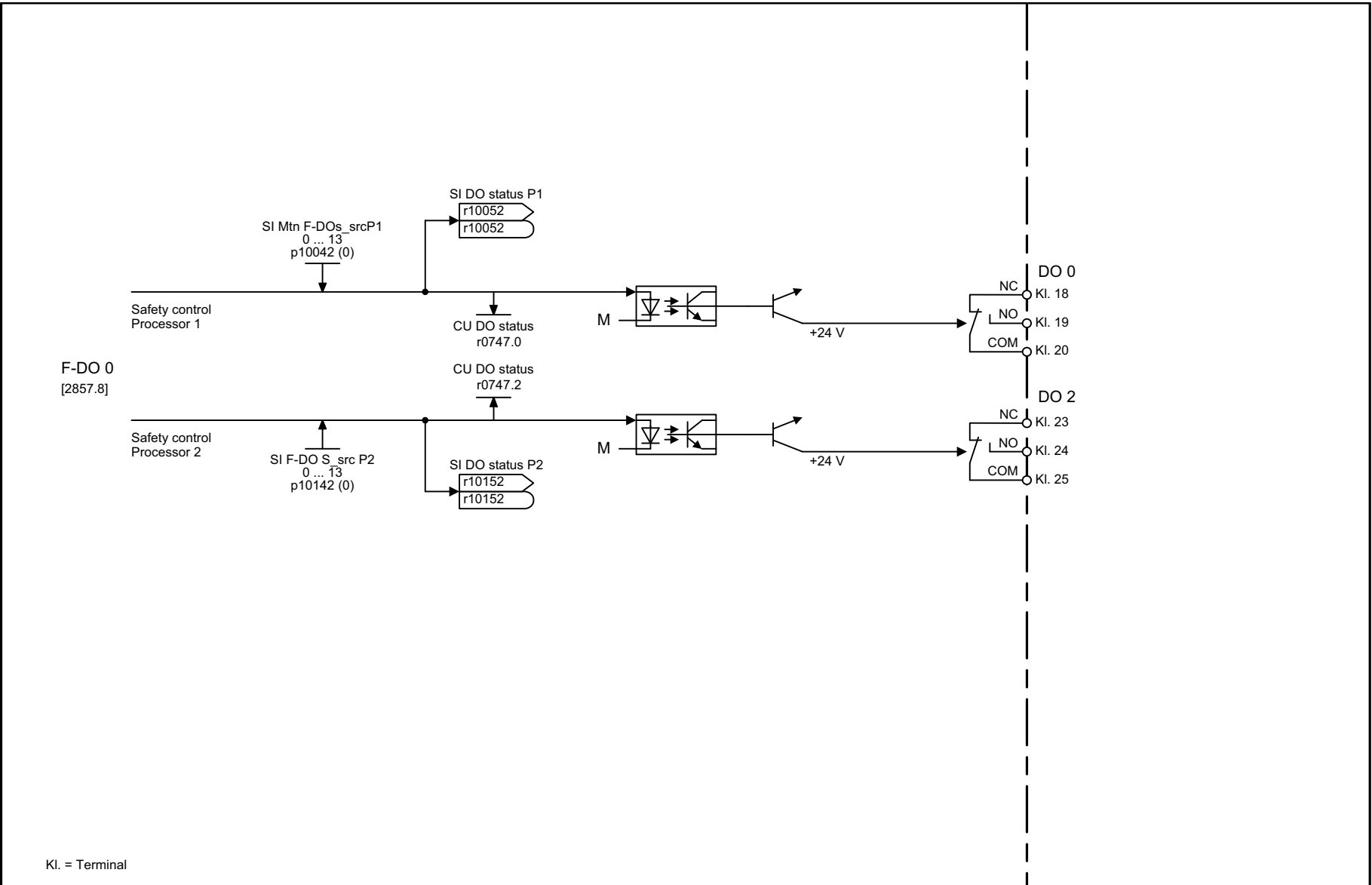


Fig. 3-86 2850 – Fail-safe digital inputs (F-DI 0 ... F-DI 2)

1	2	3	4	5	6	7	8
Safety Integrated Extended Functions					fp_2850_97_03.vsd	Function diagram	
Fail-safe digital inputs (F-DI 0 ... F-DI 2)					08.04.2014 V4.7	G120 CU250S-2	
- 2850 -							



1	2	3	4	5	6	7	8
Safety Integrated Extended Functions					fp_2853_97_03.vsd	Function diagram	
Fail-safe digital output (F-DO 0)					08.04.2014 V4.7	G120 CU250S-2	

Fig. 3-87 2853 – Fail-safe digital output (F-DO 0)

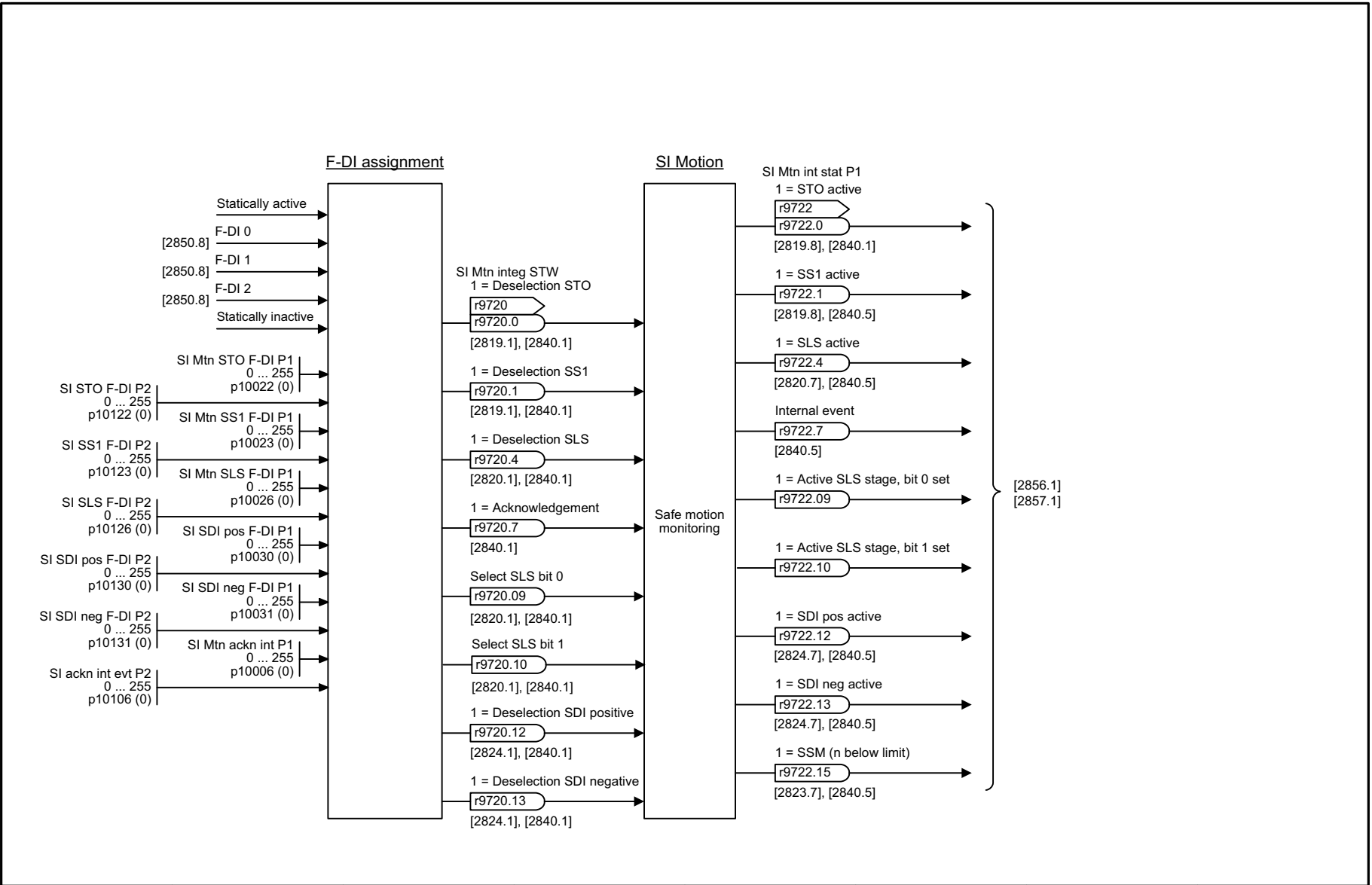
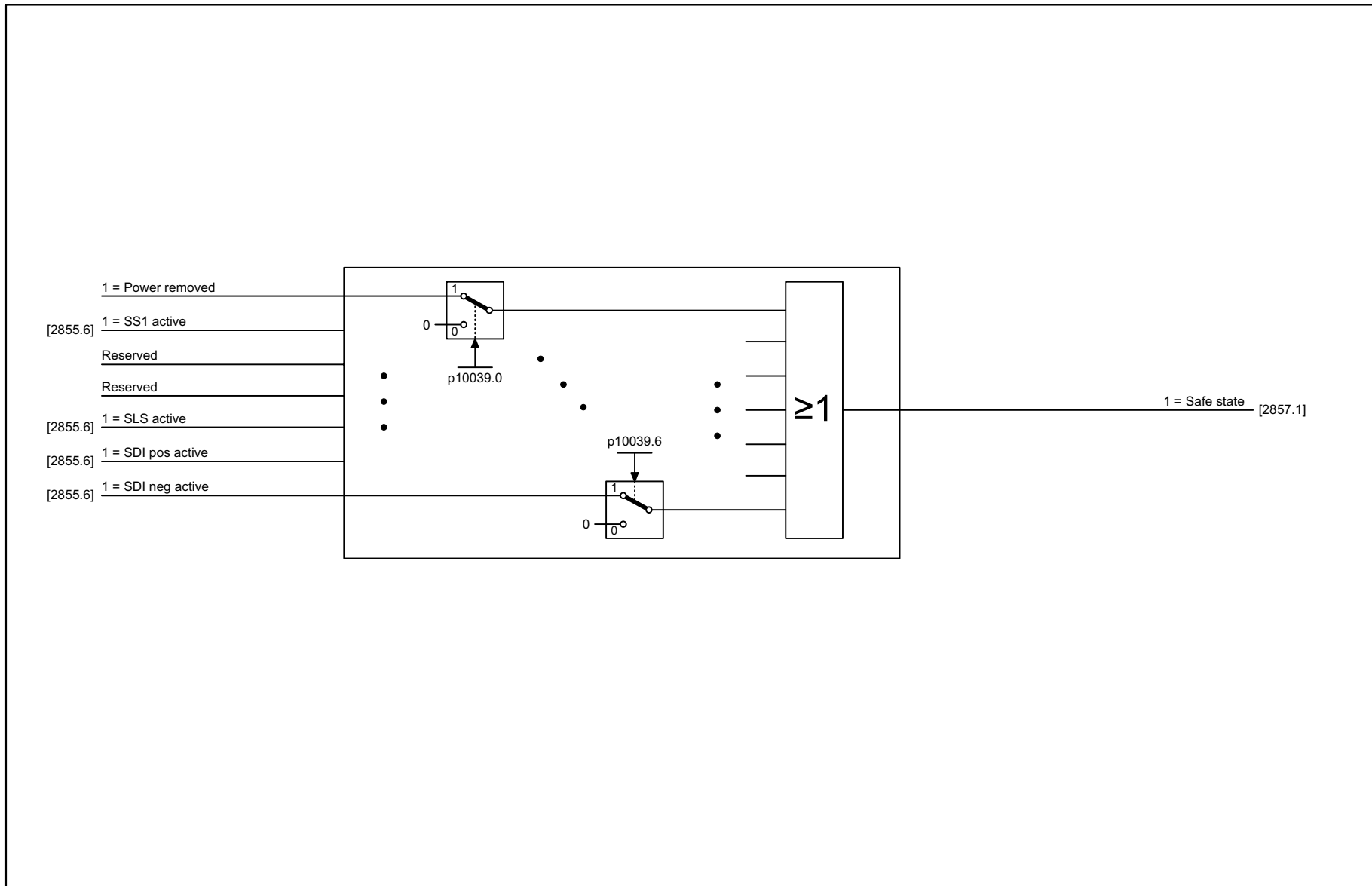


Fig. 3-88 2855 – Extended Functions via F-DI (p9601.2 = 1 and p9601.3 = 0)

1	2	3	4	5	6	7	8
Safety Integrated Extended Functions					fp_2855_97_55.vsd	Function diagram	
Extended Functions via F-DI (p9601.2 = 1 and p9601.3 = 0)					08.04.2014 V4.7	G120 CU250S-2	
- 2855 -							



1	2	3	4	5	6	7	8
Safety Integrated Extended Functions					fp_2856_97_55.vsd	Function diagram	
Safe state selection					08.04.2014 V4.7	G120 CU250S-2	

- 2856 -

Fig. 3-89 2856 – Safe state selection

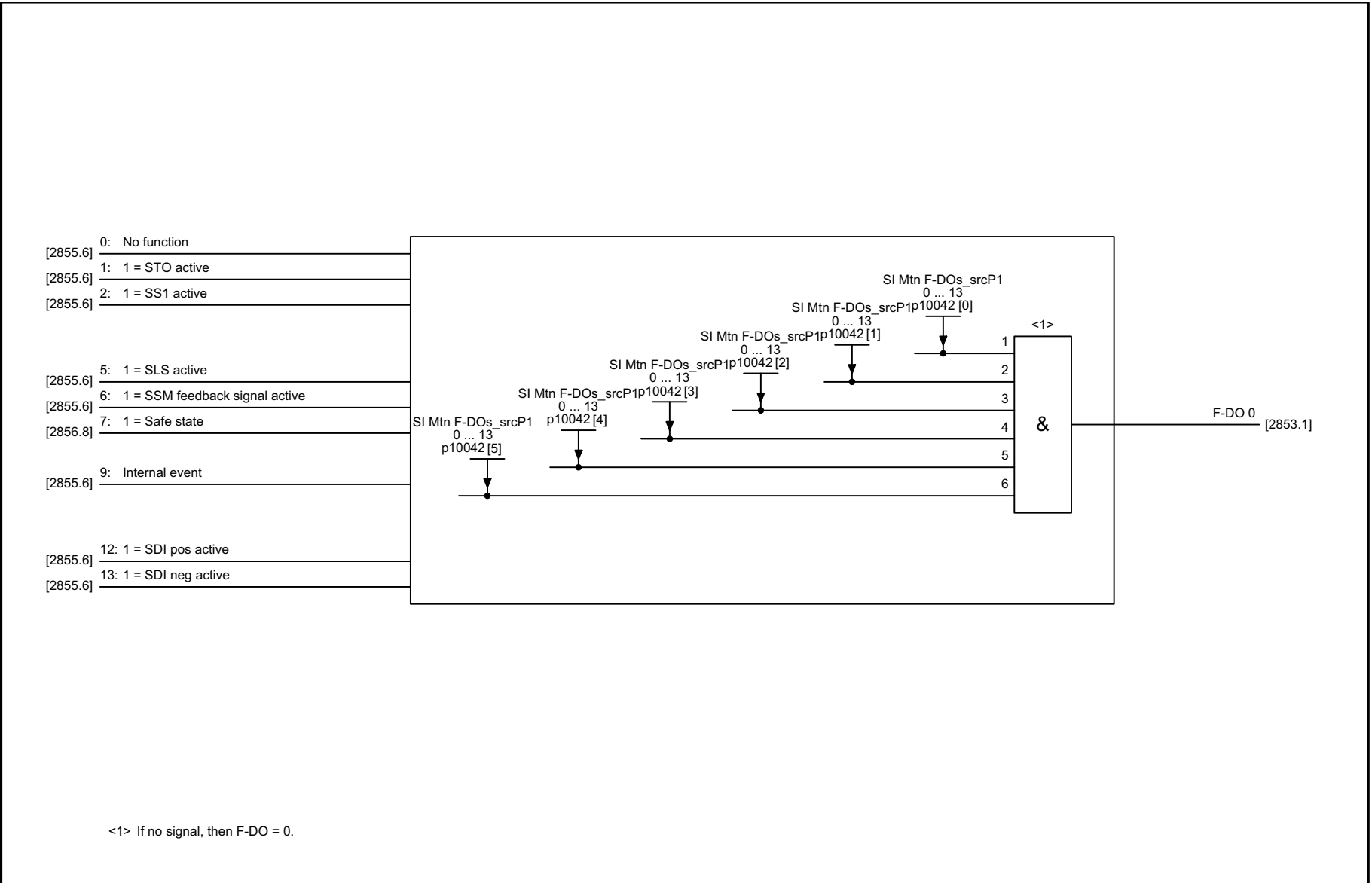
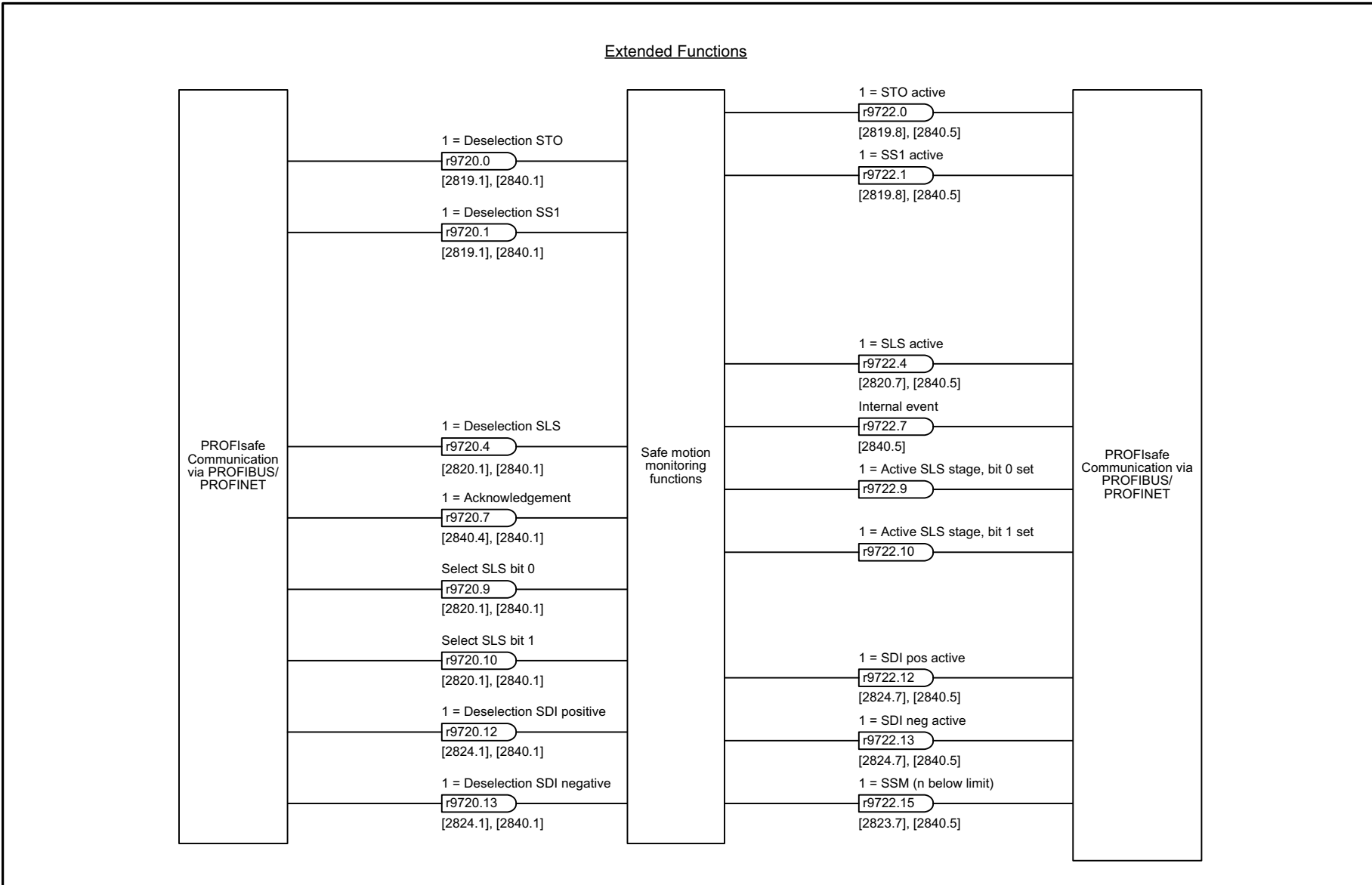


Fig. 3-90 2857 – F-DO assignment

1	2	3	4	5	6	7	8
Safety Integrated Extended Functions					fp_2857_97_55.vsd	Function diagram	
F-DO assignment					08.04.2014 V4.7	G120 CU250S-2	
- 2857 -							



1	2	3	4	5	6	7	8
Safety Integrated Extended Functions					fp_2858_97_58.vsd	Function diagram	
Extended functions via PROFIsafe (p9601.2 = 1 and p9601.3 = 1)					08.04.2014 V4.7	G120 CU250S-2 DP/PN	
							- 2858 -

Fig. 3-91 2858 – Extended functions via PROFIsafe (9601.2 = 1 and 9601.3 = 1)

3.12 Safety Integrated PROFIsafe

Function diagrams

2915 – Standard telegrams	791
2917 – Manufacturer-specific telegrams	792

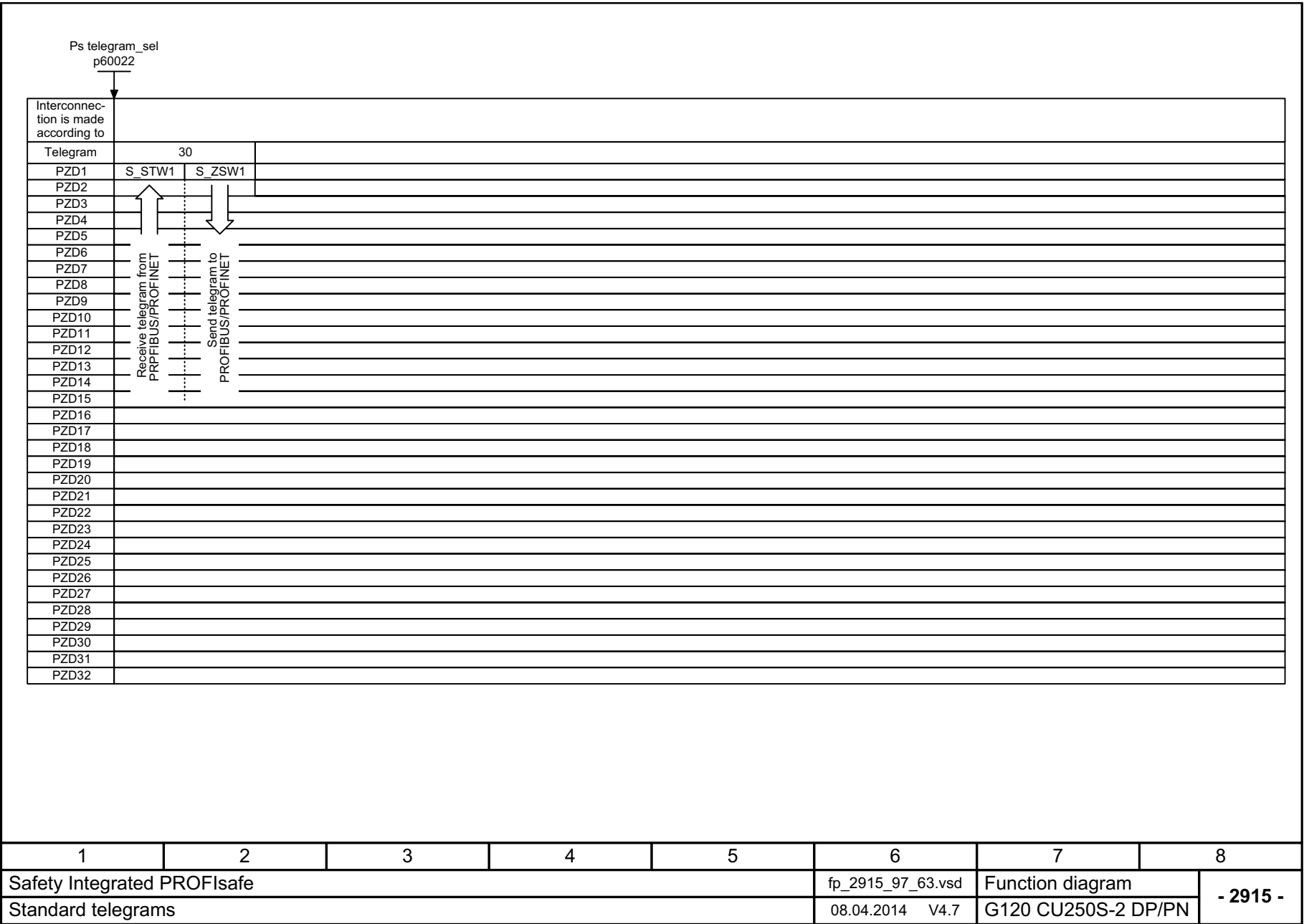


Fig. 3-92 2915 – Standard telegrams

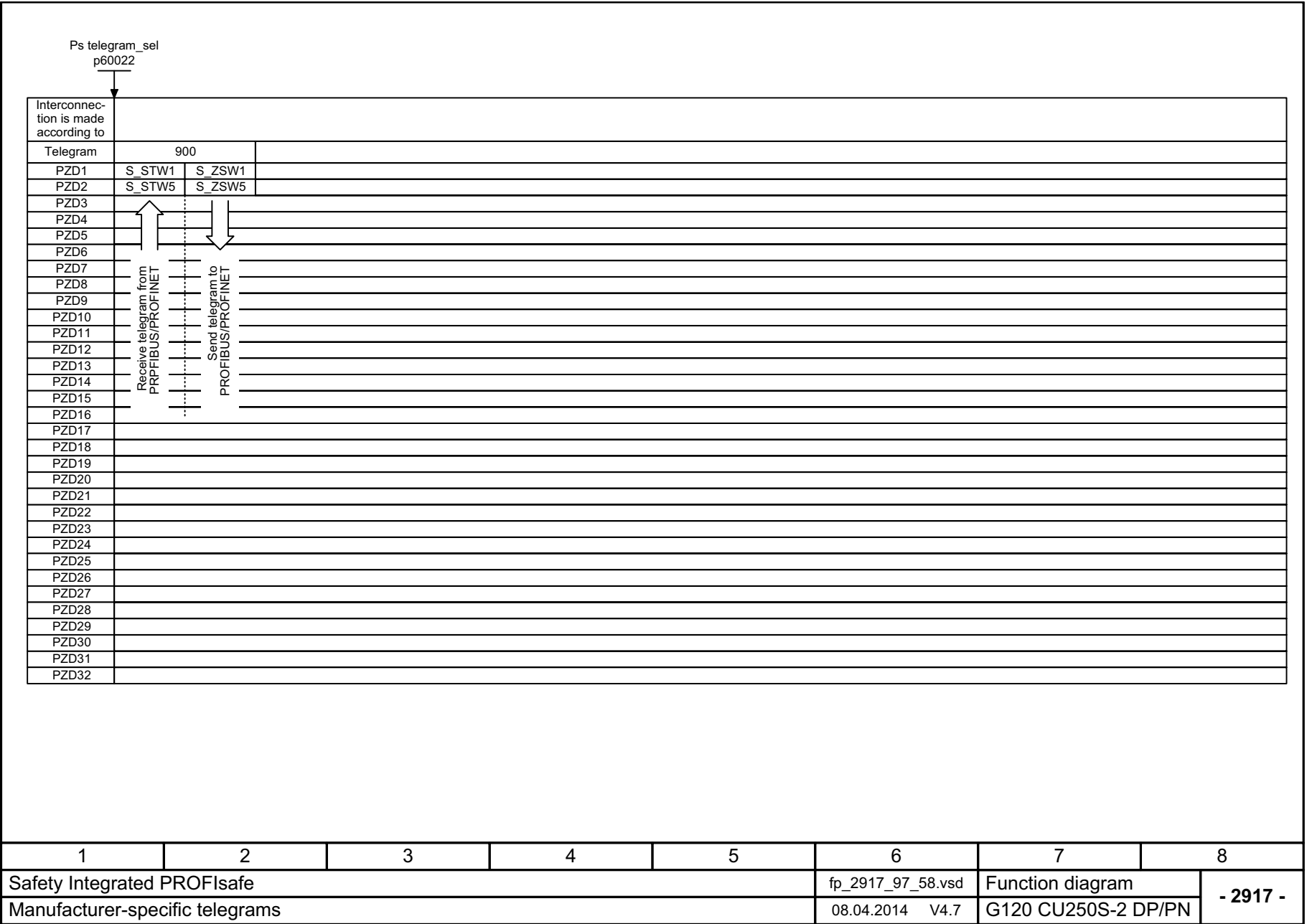


Fig. 3-93 2917 – Manufacturer-specific telegrams

3.13 Setpoint channel

Function diagrams

3001 – Overview	794
3010 – Fixed speed setpoints, binary selection (p1016 = 2)	795
3011 – Fixed speed setpoints, direct selection (p1016 = 1)	796
3020 – Motorized potentiometer	797
3030 – Main/supplementary setpoint, setpoint scaling, jogging	798
3040 – Direction limitation and direction reversal	799
3050 – Skip frequency bands and speed limitations	800
3060 – Basic ramp-function generator	801
3070 – Extended ramp-function generator	802
3080 – Ramp-function generator selection, status word, tracking	803

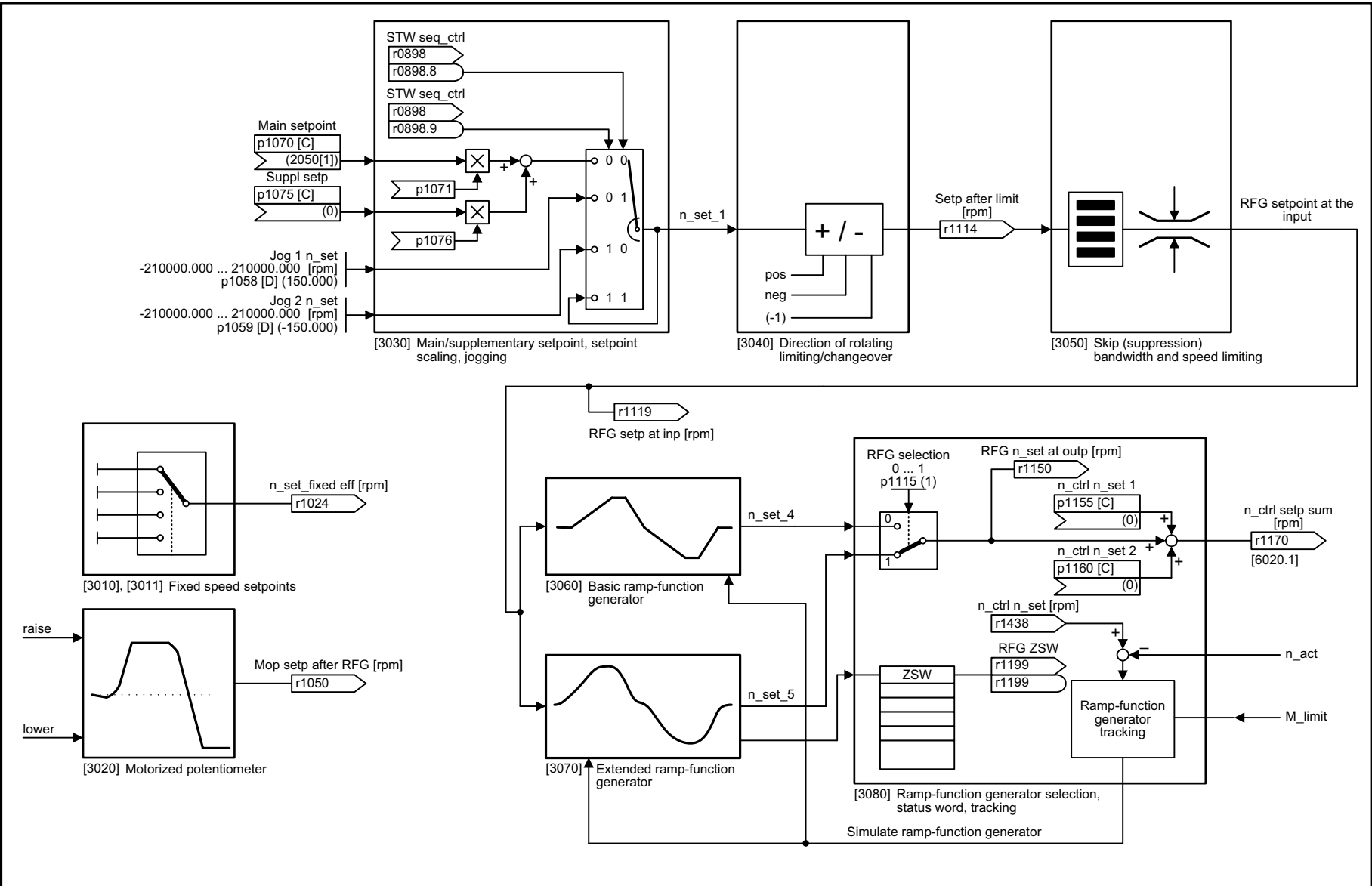
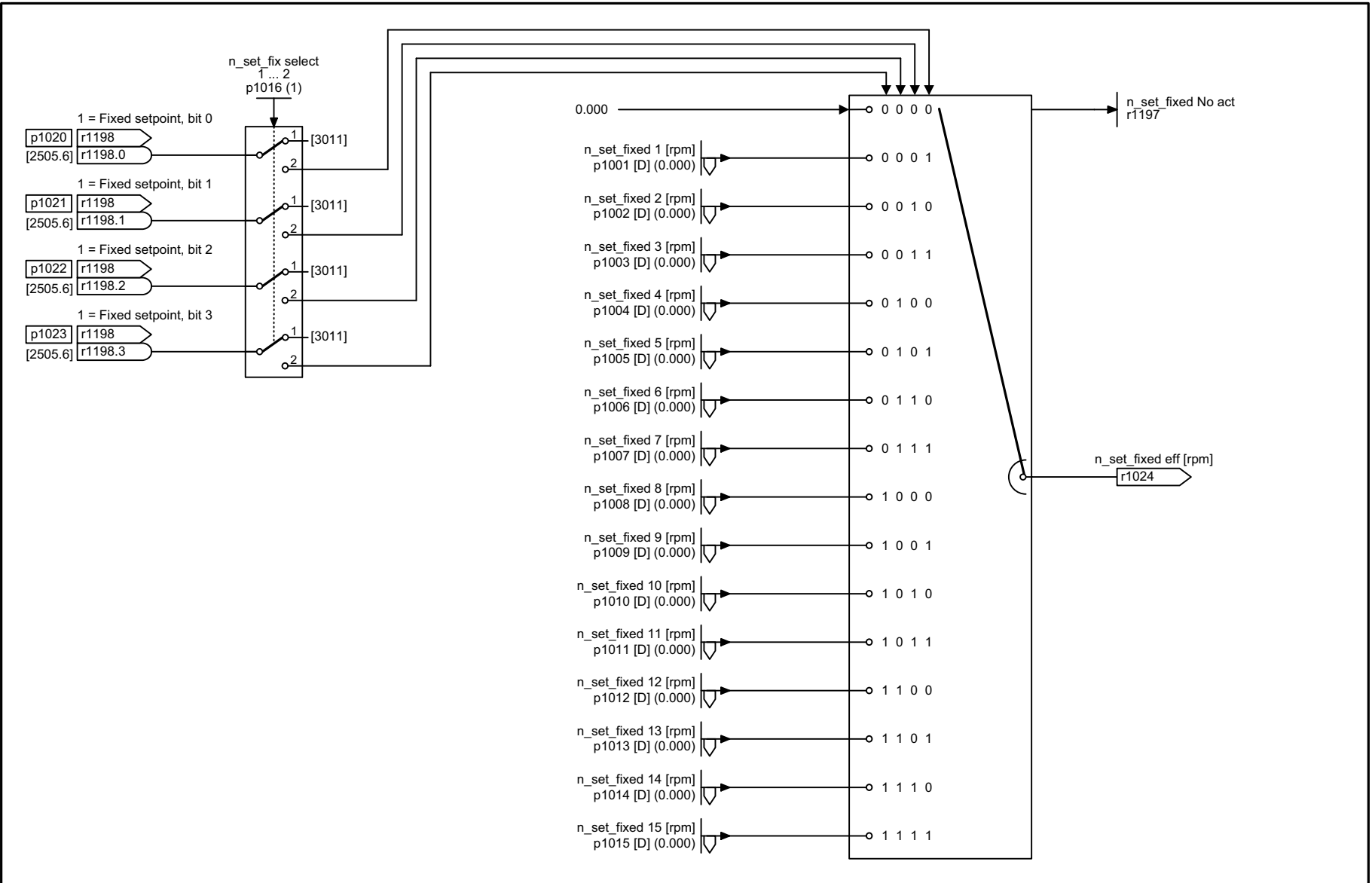


Fig. 3-94 3001 – Overview

1	2	3	4	5	6	7	8
Setpoint channel					fp_3001_97_53.vsd	Function diagram	
Overview					08.04.2014 V4.7	G120 CU250S-2	
- 3001 -							



1	2	3	4	5	6	7	8
Setpoint channel					fp_3010_97_51.vsd	Function diagram	
Fixed speed setpoints, binary selection (p1016 = 2)					08.04.2014 V4.7	G120 CU250S-2	
							- 3010 -

Fig. 3-95 3010 – Fixed speed setpoints, binary selection (p1016 = 2)

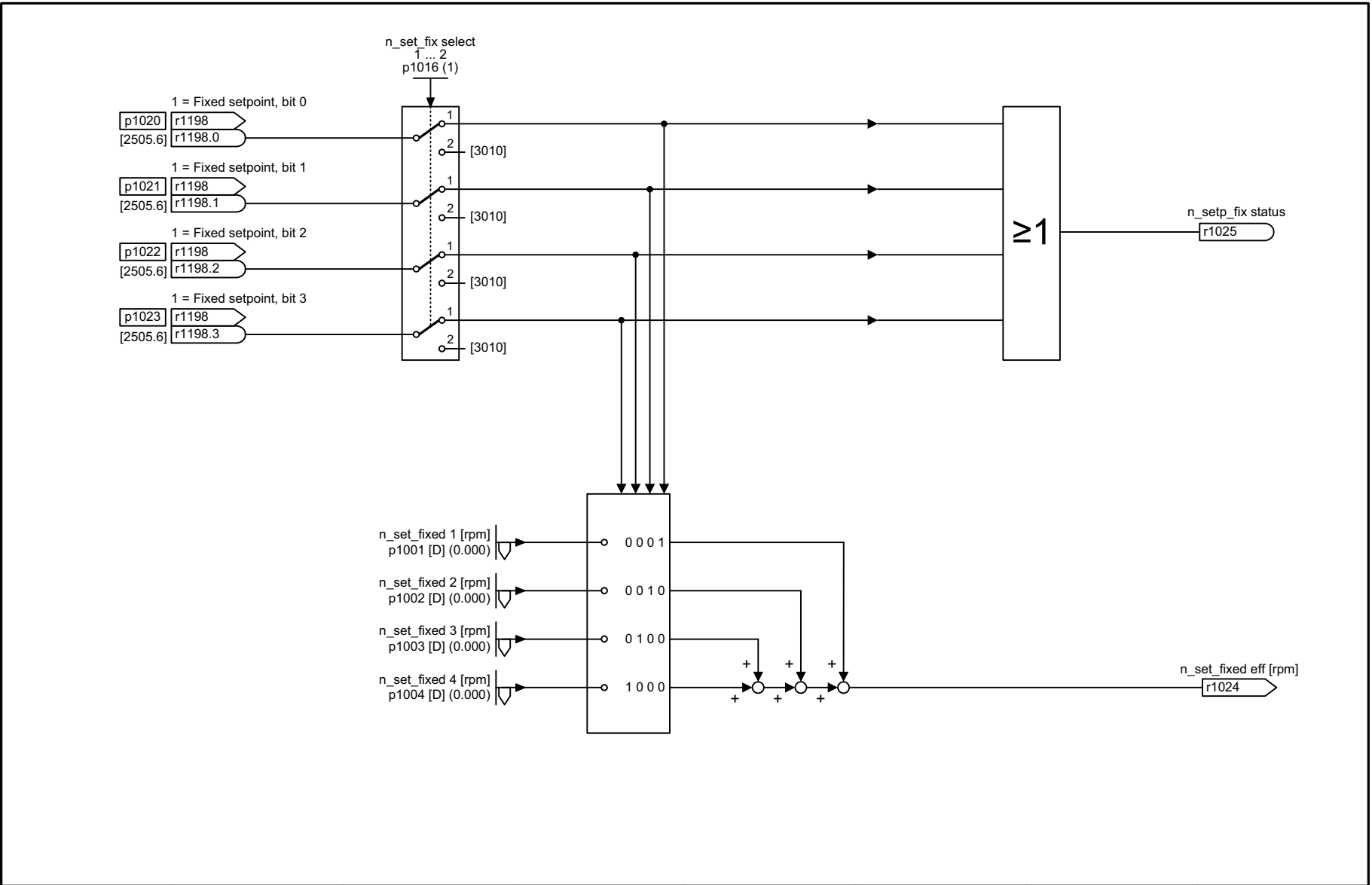
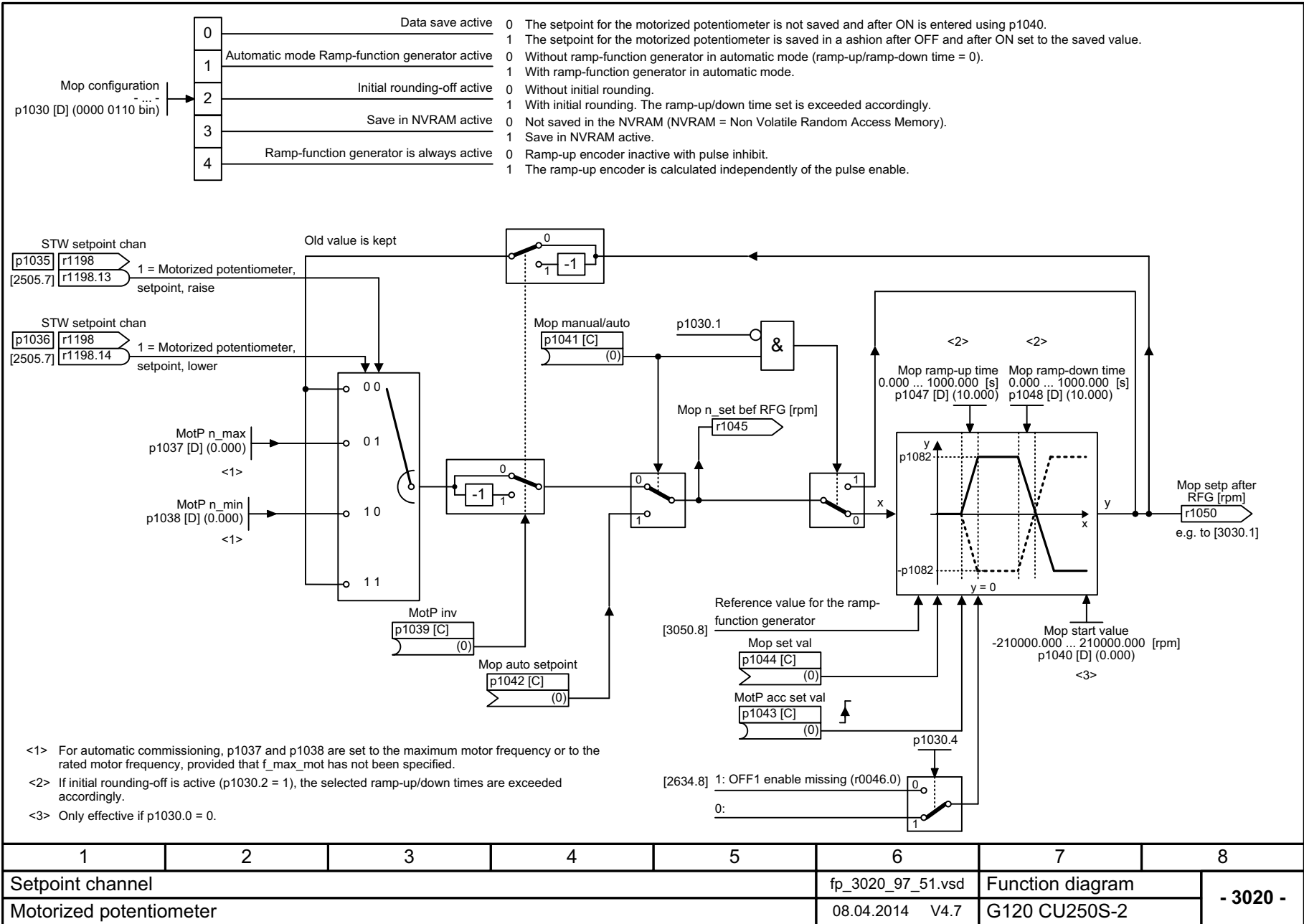
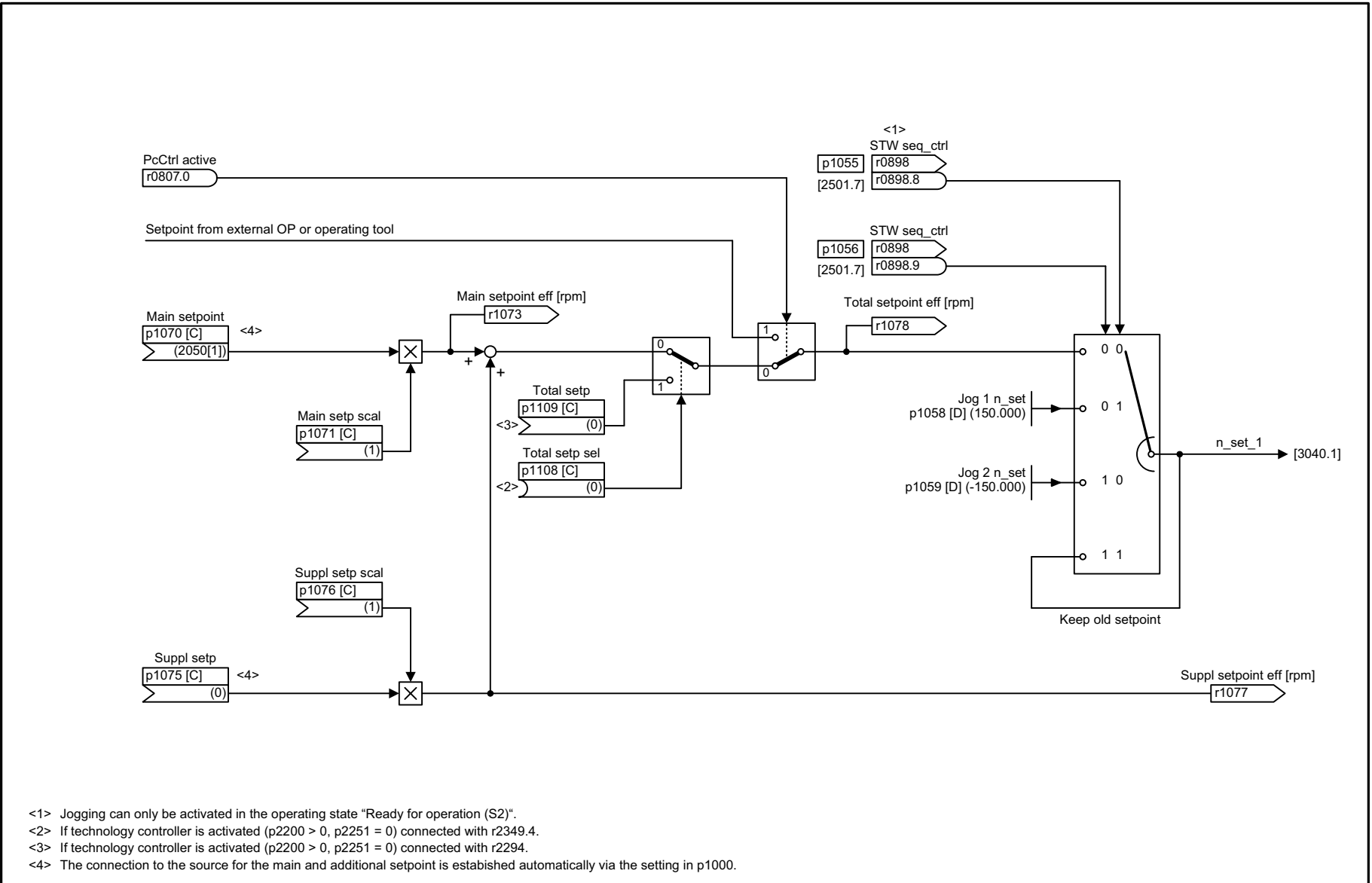


Fig. 3-96 3011 – Fixed speed setpoints, direct selection (p1016 = 1)

1	2	3	4	5	6	7	8
Setpoint channel					fp_3011_97_51.vsd	Function diagram	
Fixed speed setpoints, direct selection (p1016 = 1)					08.04.2014 V4.7	G120 CU250S-2	
							- 3011 -

Fig. 3-97 3020 – Motorized potentiometer

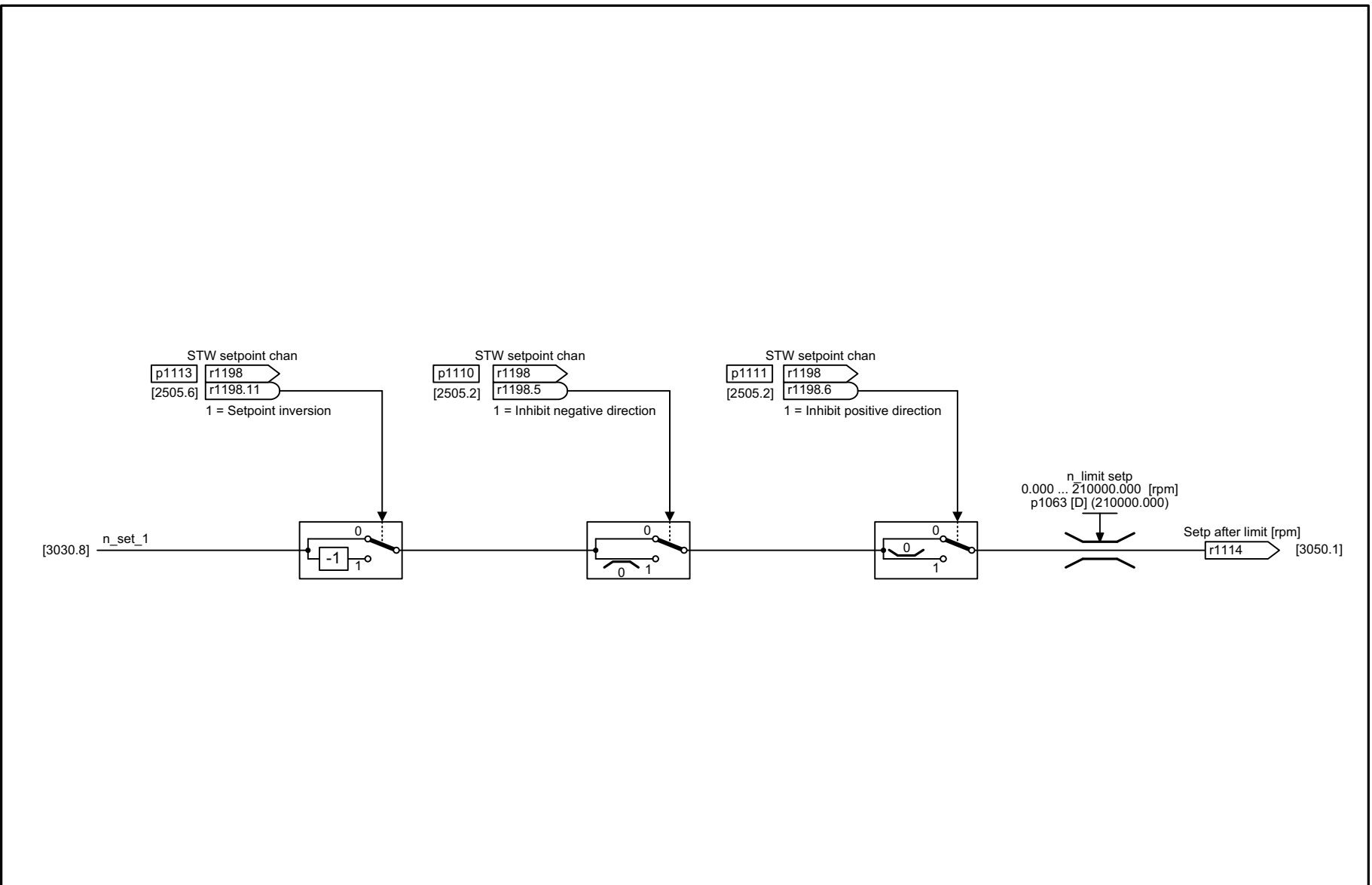




<1> Jogging can only be activated in the operating state "Ready for operation (S2)".
 <2> If technology controller is activated (p2200 > 0, p2251 = 0) connected with r2349.4.
 <3> If technology controller is activated (p2200 > 0, p2251 = 0) connected with r2294.
 <4> The connection to the source for the main and additional setpoint is established automatically via the setting in p1000.

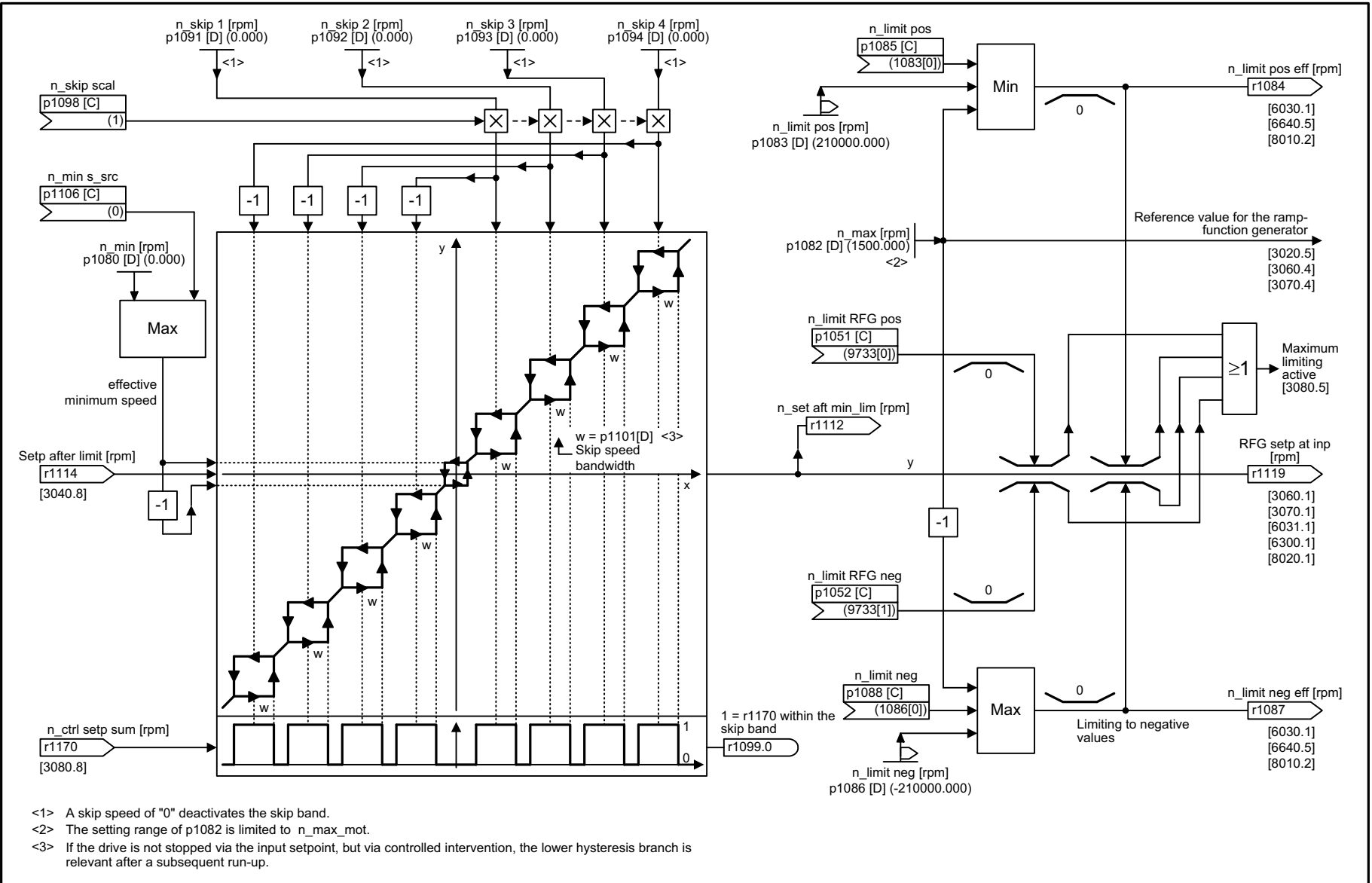
Fig. 3-98 3030 – Main/supplementary setpoint, setpoint scaling, jogging

1	2	3	4	5	6	7	8
Setpoint channel					fp_3030_97_51.vsd	Function diagram	
Main/supplementary setpoint, setpoint scaling, jogging					08.04.2014 V4.7	G120 CU250S-2	
							- 3030 -



1	2	3	4	5	6	7	8
Setpoint channel					fp_3040_97_53.vsd	Function diagram	
Direction limitation and direction reversal					08.04.2014 V4.7	G120 CU250S-2	
							- 3040 -

Fig. 3-99 3040 – Direction limitation and direction reversal

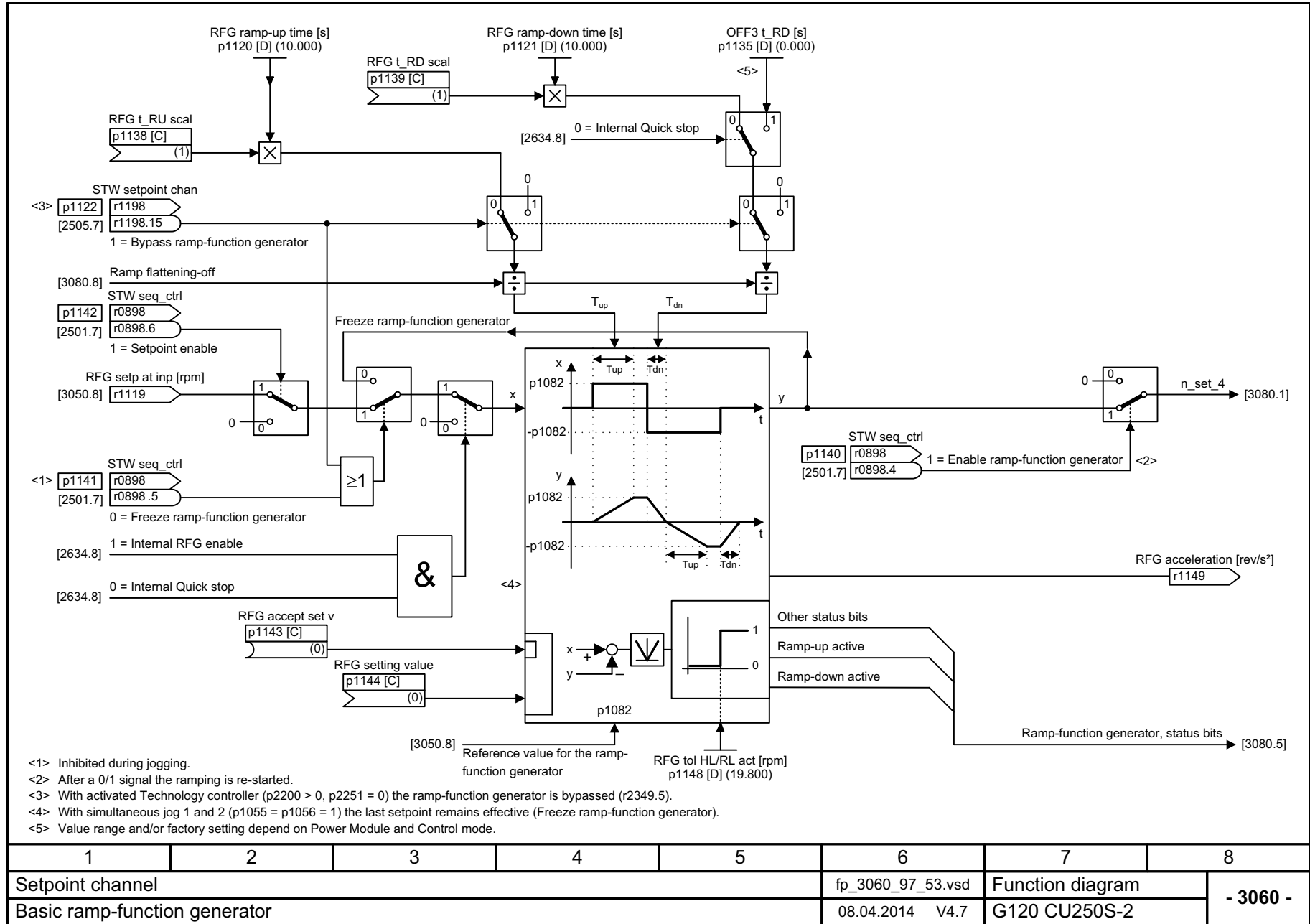


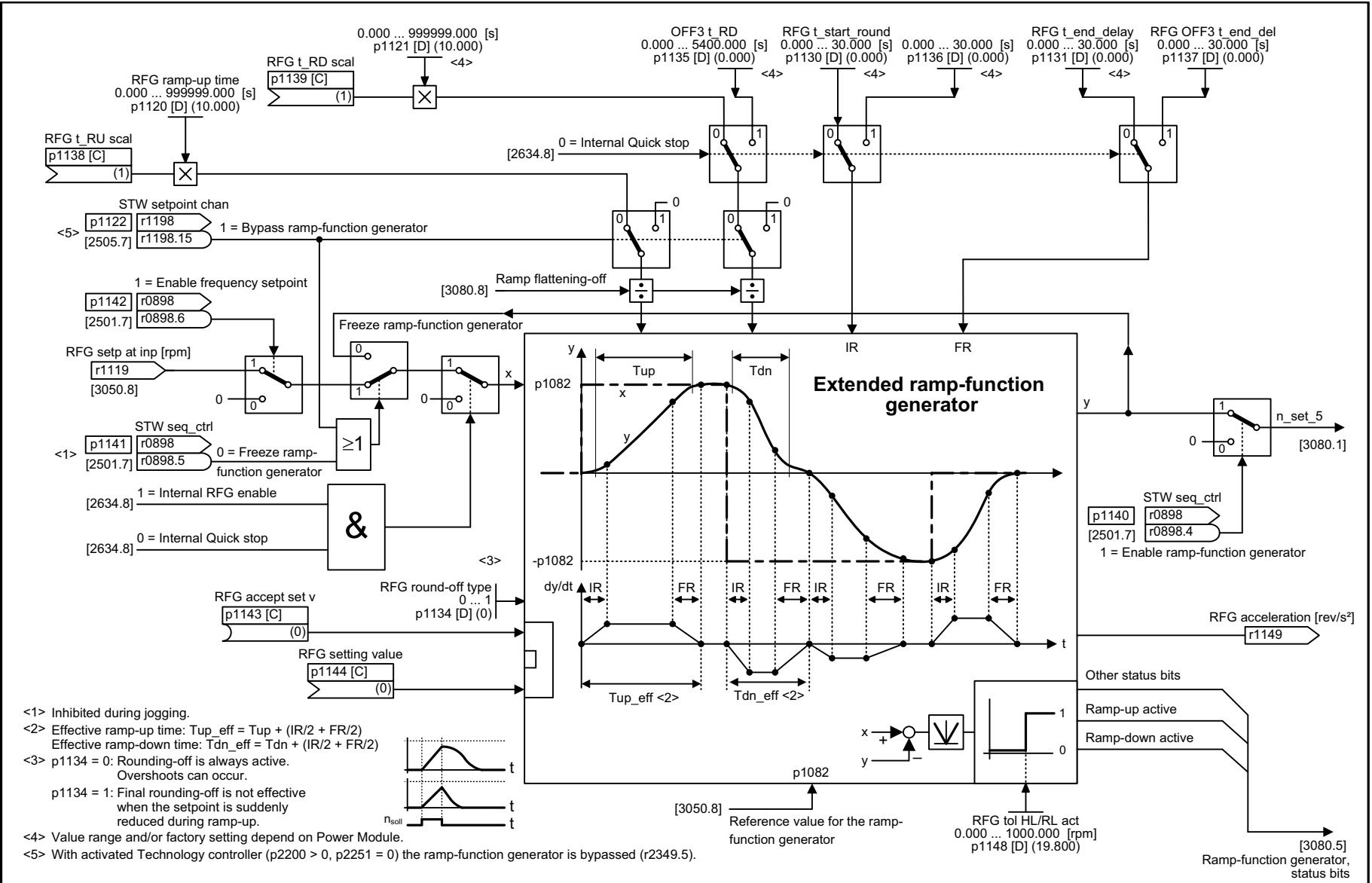
<1> A skip speed of "0" deactivates the skip band.
 <2> The setting range of p1082 is limited to n_max_mot.
 <3> If the drive is not stopped via the input setpoint, but via controlled intervention, the lower hysteresis branch is relevant after a subsequent run-up.

Fig. 3-100 3050 – Skip frequency bands and speed limitations

1	2	3	4	5	6	7	8
Setpoint channel					fp_3050_97_51.vsd	Function diagram	
Skip frequency bands and speed limitations					08.04.2014 V4.7	G120 CU250S-2	

Fig. 3-101 3060 – Basic ramp-function generator





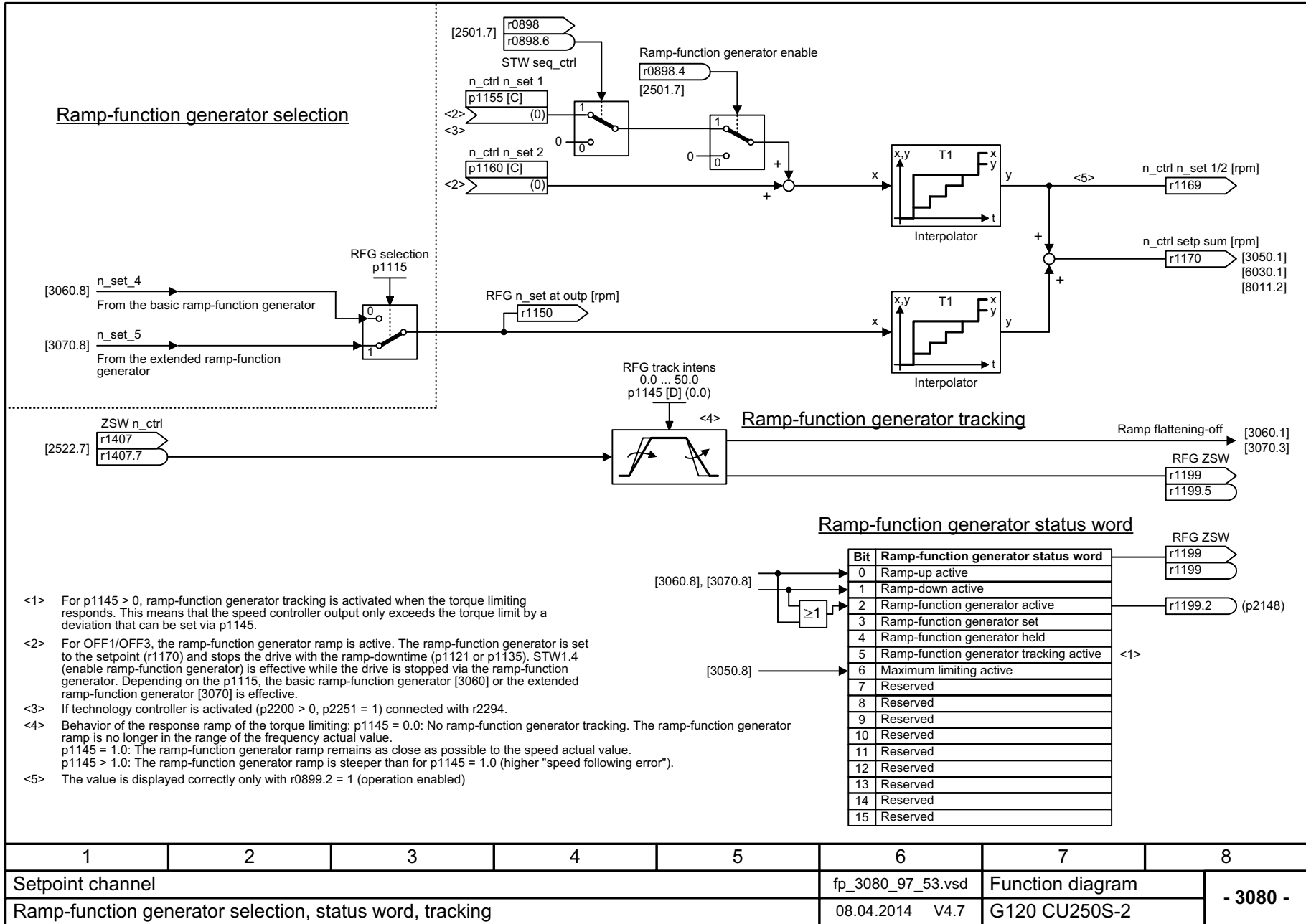
- <1> Inhibited during jogging.
- <2> Effective ramp-up time: $T_{up_eff} = T_{up} + (IR/2 + FR/2)$
Effective ramp-down time: $T_{dn_eff} = T_{dn} + (IR/2 + FR/2)$
- <3> p1134 = 0: Rounding-off is always active.
Overshoots can occur.
p1134 = 1: Final rounding-off is not effective when the setpoint is suddenly reduced during ramp-up.
- <4> Value range and/or factory setting depend on Power Module.
- <5> With activated Technology controller (p2200 > 0, p2251 = 0) the ramp-function generator is bypassed (r2349.5).

1	2	3	4	5	6	7	8
Setpoint channel					fp_3070_97_51.vsd	Function diagram	
Extended ramp-function generator					08.04.2014 V4.7	G120 CU250S-2	

- 3070 -

Fig. 3-102 3070 – Extended ramp-function generator

Fig. 3-103 3080 – Ramp-function generator selection, status word, tracking



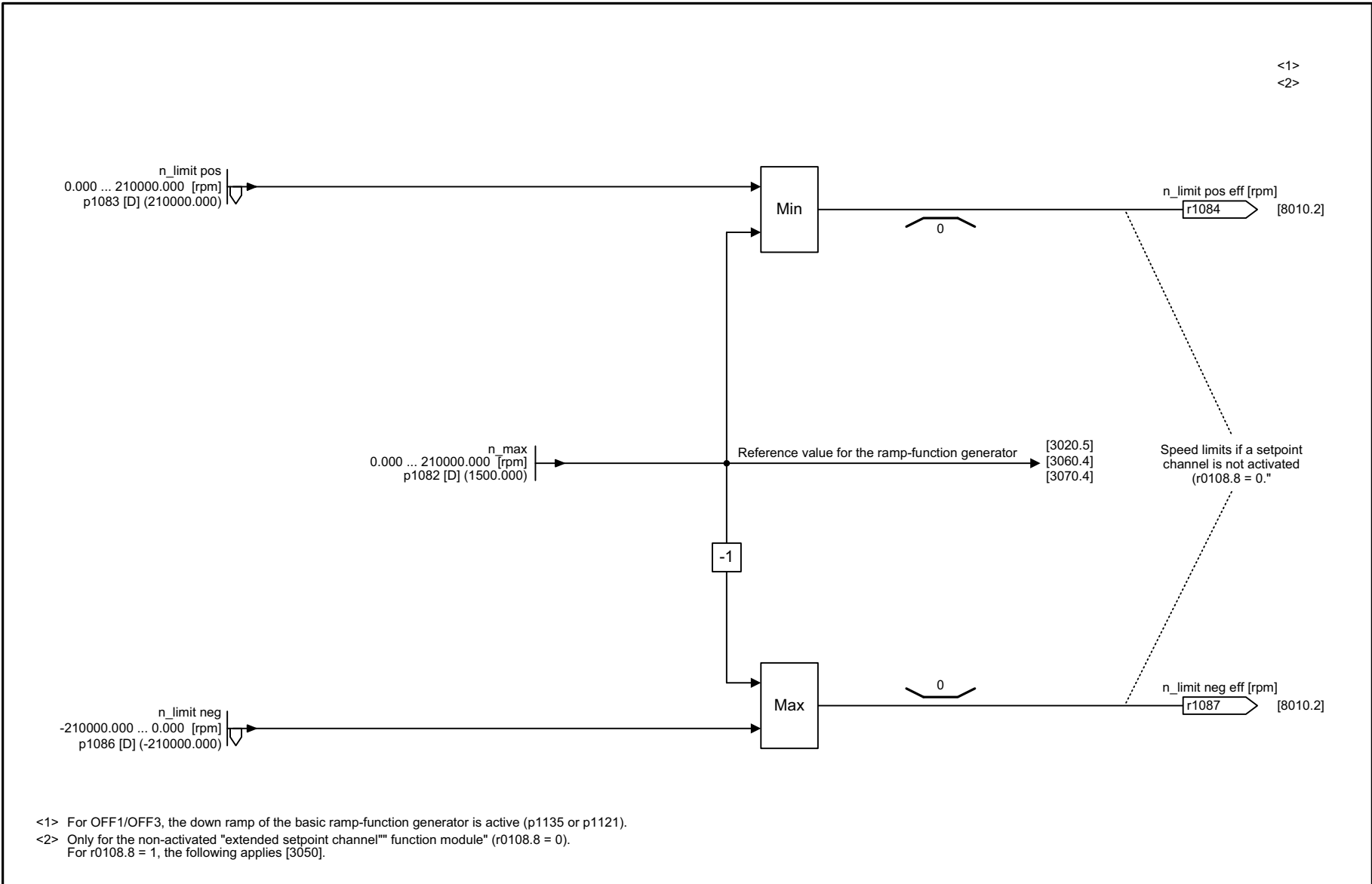
1	2	3	4	5	6	7	8
Setpoint channel					fp_3080_97_53.vsd	Function diagram	
Ramp-function generator selection, status word, tracking					08.04.2014 V4.7	G120 CU250S-2	
- 3080 -							

3.14 Setpoint channel not activated

Function diagrams

3095 – Generation of the speed limits (r0108.8 = 0)

805



<1> For OFF1/OFF3, the down ramp of the basic ramp-function generator is active (p1135 or p1121).
 <2> Only for the non-activated "extended setpoint channel" function module (r0108.8 = 0).
 For r0108.8 = 1, the following applies [3050].

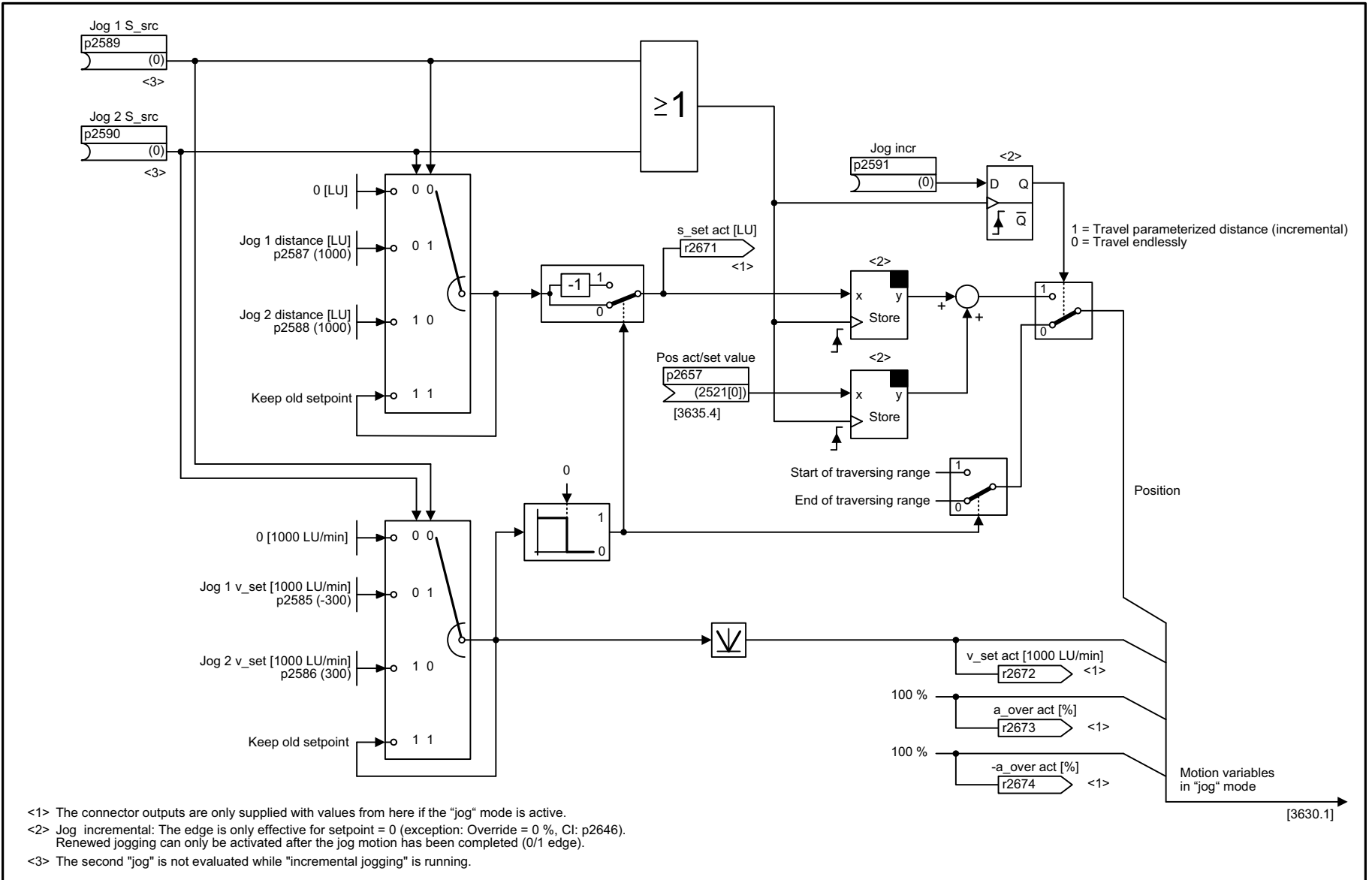
1	2	3	4	5	6	7	8
Setpoint channel not activated					fp_3095_97_03.vsd	Function diagram	
Generation of the speed limits (r0108.8 = 0)					08.04.2014 V4.7	G120 CU250S-2	
							- 3095 -

Fig. 3-104 3095 – Generation of the speed limits (r0108.8 = 0)

3.15 Basic positioner (EPOS)

Function diagrams

3610 – Jog mode	807
3612 – Referencing/reference point approach mode (p2597 = 0 signal)	808
3614 – Flying referencing mode (p2597 = 1 signal)	809
3615 – Traversing block mode, external block change	810
3616 – Traversing block mode	811
3617 – Travel to fixed stop	812
3618 – Direct setpoint input / MDI mode, dynamic values	813
3620 – Direct setpoint input / MDI mode	814
3625 – Mode control	815
3630 – Traversing range limits	816
3635 – Interpolator	817
3640 – Control word, block selection / MDI selection	818
3645 – Status word 1	819
3646 – Status word 2	820
3650 – Status word, active traversing block/MDI active	821



<1> The connector outputs are only supplied with values from here if the "jog" mode is active.
 <2> Jog incremental: The edge is only effective for setpoint = 0 (exception: Override = 0 %, CI: p2646). Renewed jogging can only be activated after the jog motion has been completed (0/1 edge).
 <3> The second "jog" is not evaluated while "incremental jogging" is running.

1	2	3	4	5	6	7	8
Basic positioner (EPOS)					fp_3610_97_55.vsd	Function diagram	
Jog mode					08.04.2014 V4.7	G120 CU250S-2	
							- 3610 -

Fig. 3-105 3610 – Jog mode

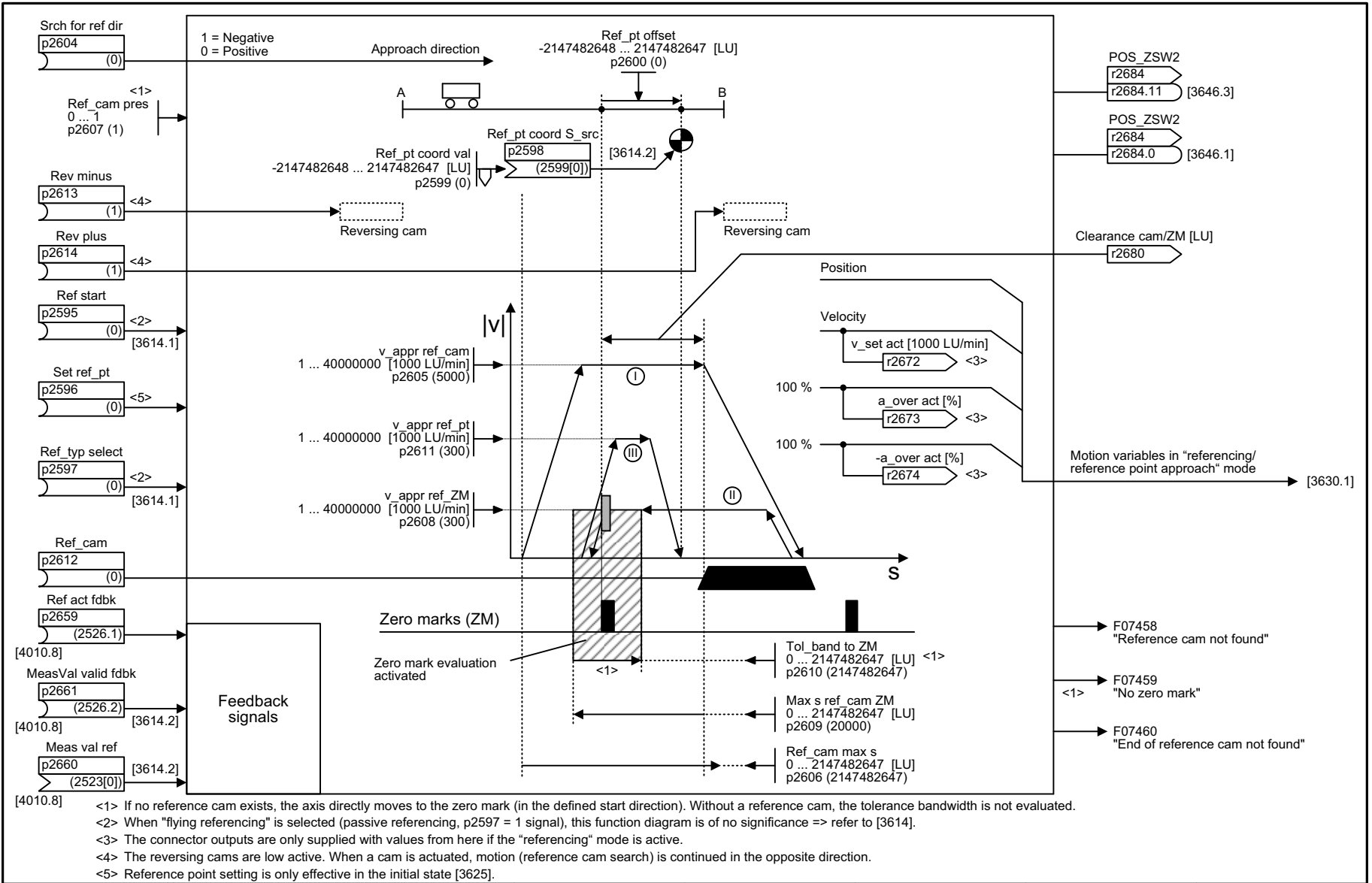


Fig. 3-106 3612 – Referencing/reference point approach mode (p2597 = 0 signal)

1	2	3	4	5	6	7	8
Basic positioner (EPOS)					fp_3612_97_55.vsd	Function diagram	
Referencing/reference point approach mode (p2597 = 0 signal)					08.04.2014 V4.7	G120 CU250S-2	
						- 3612 -	

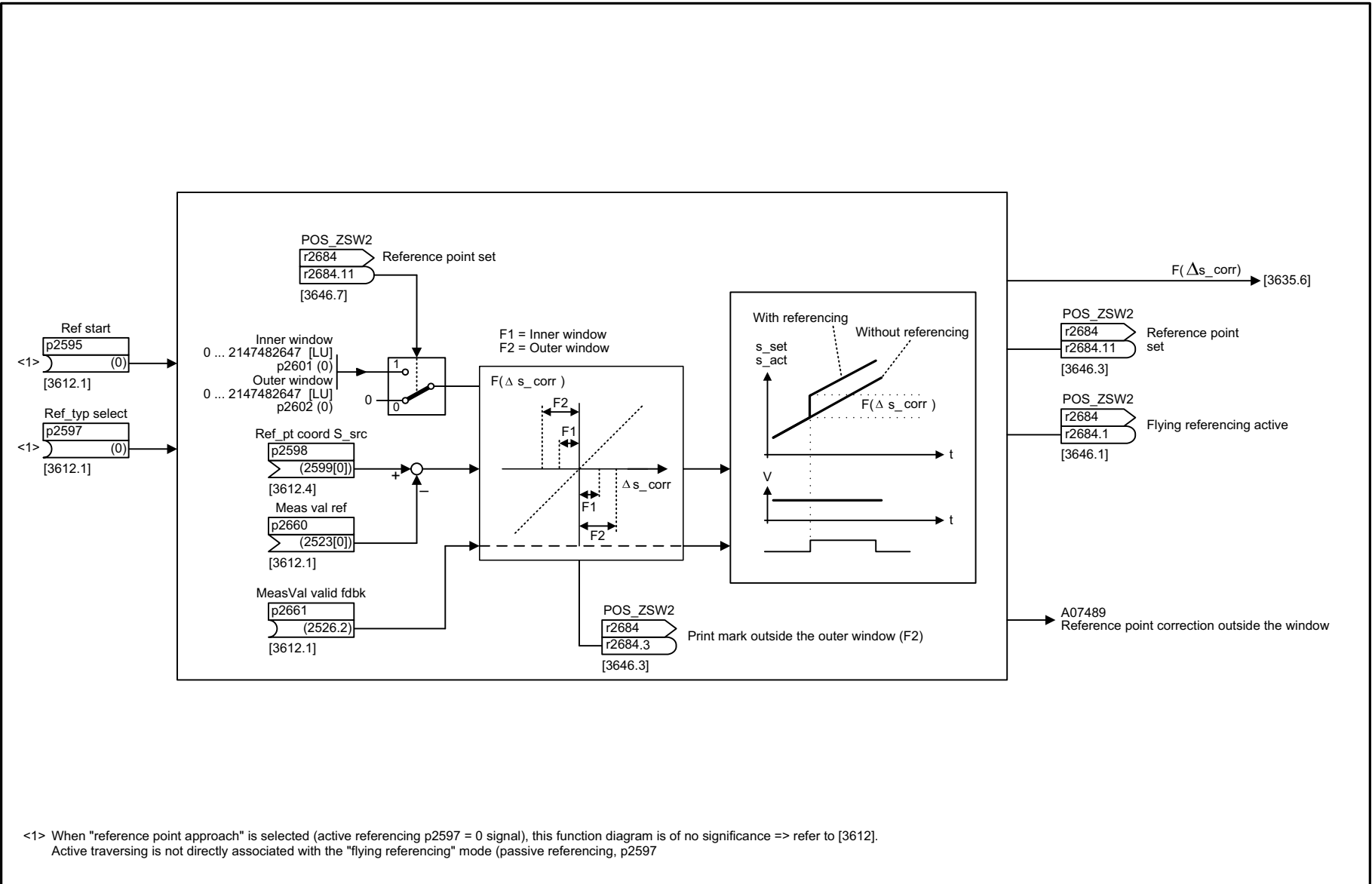


Fig. 3-107 3614 – Flying referencing mode (p2597 = 1 signal)

1	2	3	4	5	6	7	8
Basic positioner (EPOS)					fp_3614_97_55.vsd	Function diagram	
Flying referencing mode (p2597 = 1 signal)					08.04.2014 V4.7	G120 CU250S-2	
							- 3614 -

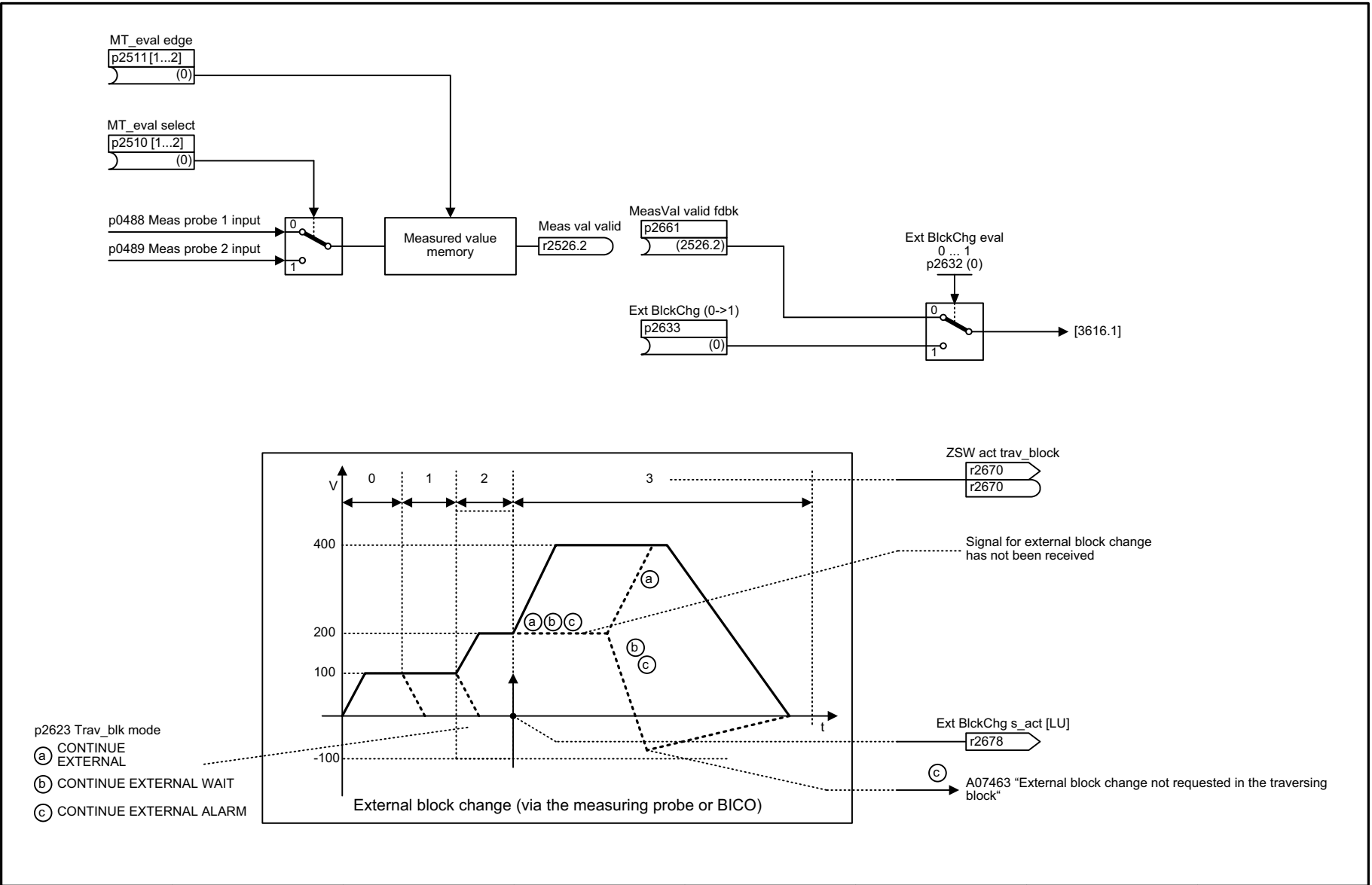
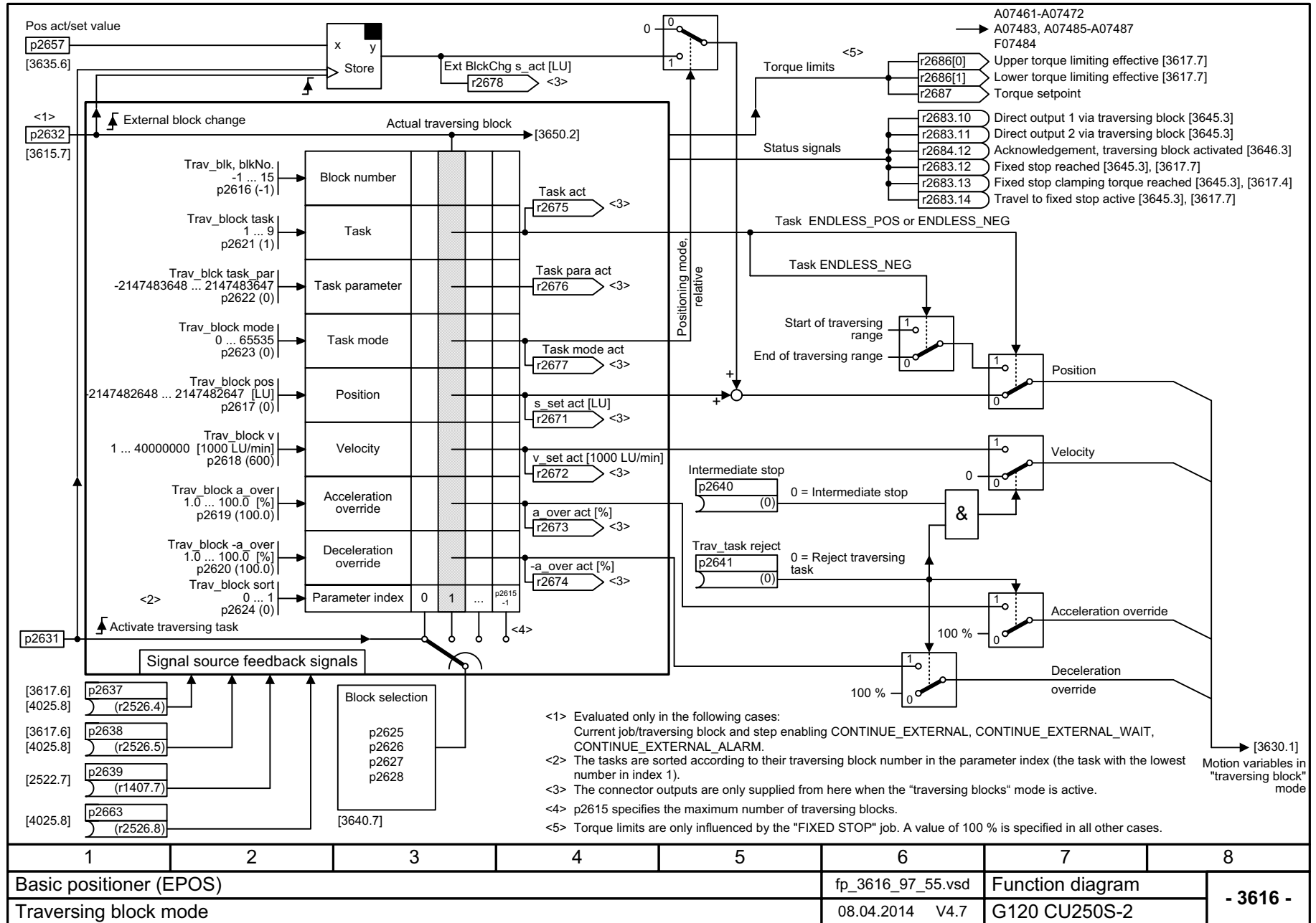


Fig. 3-108 3615 – Traversing block mode, external block change

1	2	3	4	5	6	7	8
Basic positioner (EPOS)					fp_3615_97_55.vsd	Function diagram	
Traversing block mode, external block change					08.04.2014 V4.7	G120 CU250S-2	

Fig. 3-109 3616 – Traversing block mode



1	2	3	4	5	6	7	8
Basic positioner (EPOS)					fp_3616_97_55.vsd	Function diagram	
Traversing block mode					08.04.2014 V4.7	G120 CU250S-2	
- 3616 -							

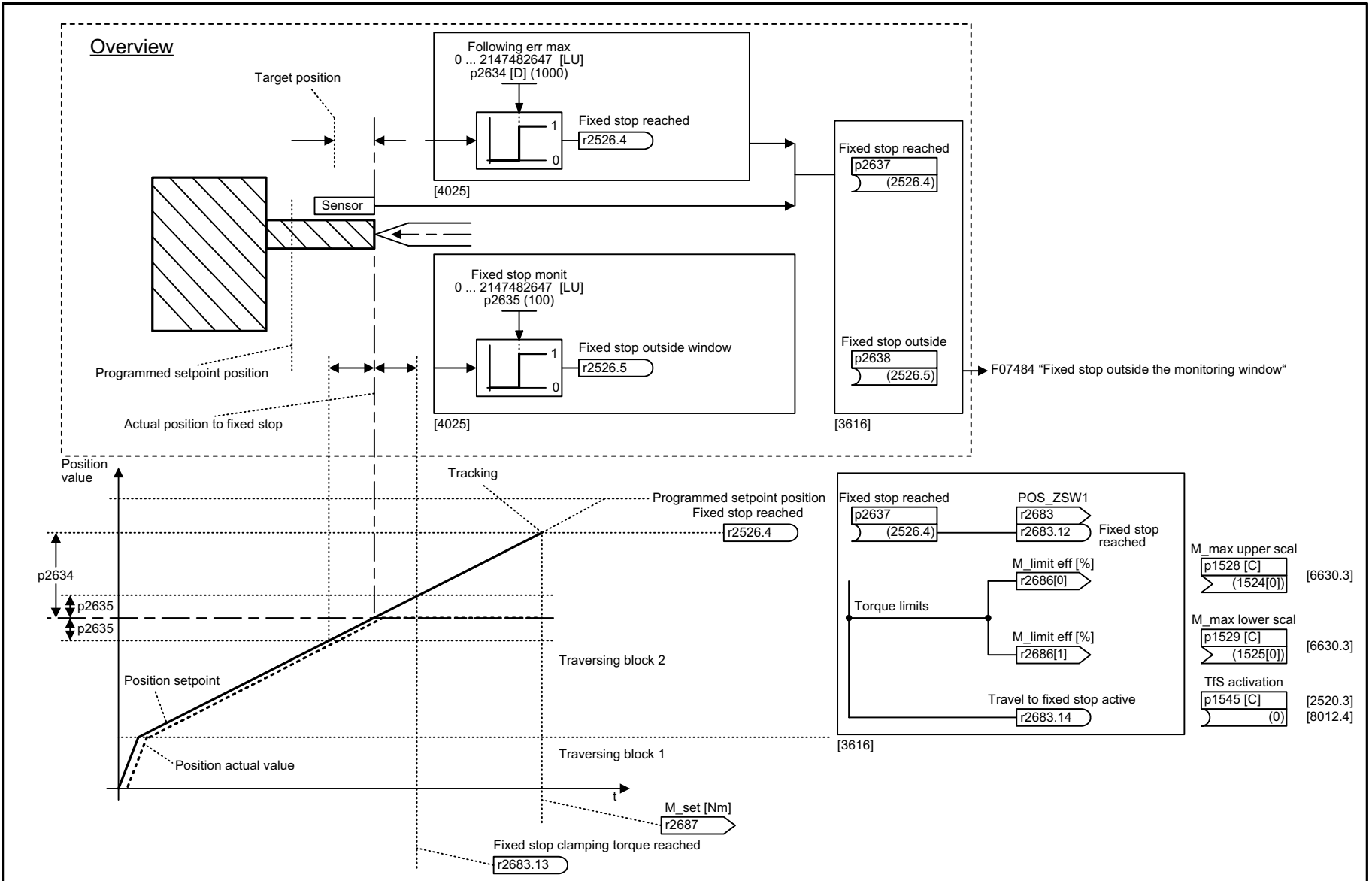
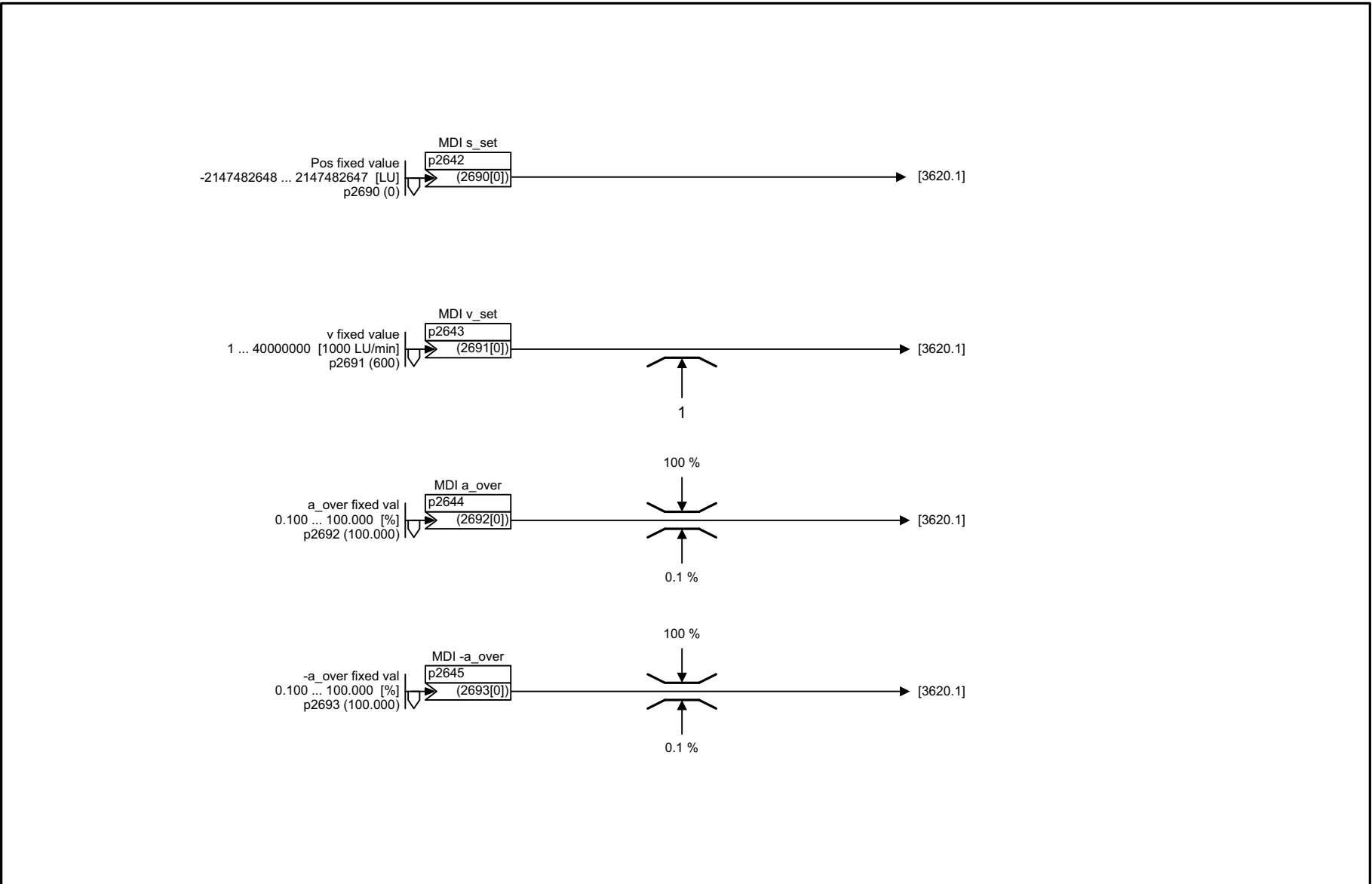


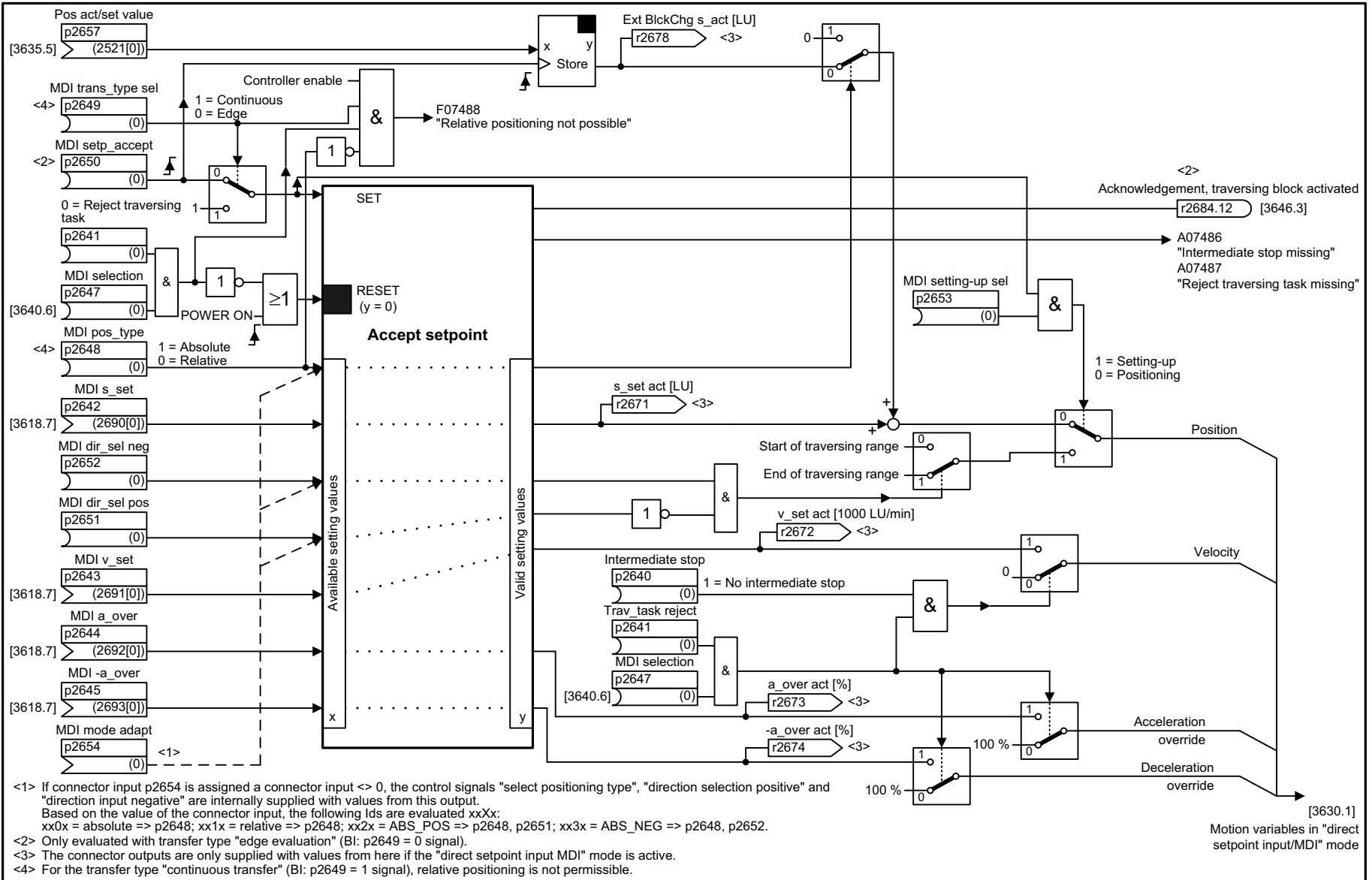
Fig. 3-110 3617 – Travel to fixed stop

1	2	3	4	5	6	7	8
Basic positioner (EPOS)					fp_3617_97_03.vsd	Function diagram	
Travel to fixed stop					08.04.2014 V4.7	G120 CU250S-2	
							- 3617 -



1	2	3	4	5	6	7	8
Basic positioner (EPOS)					fp_3618_97_55.vsd	Function diagram	
Direct setpoint input / MDI mode, dynamic values					08.04.2014 V4.7	G120 CU250S-2	
							- 3618 -

Fig. 3-111 3618 – Direct setpoint input / MDI mode, dynamic values

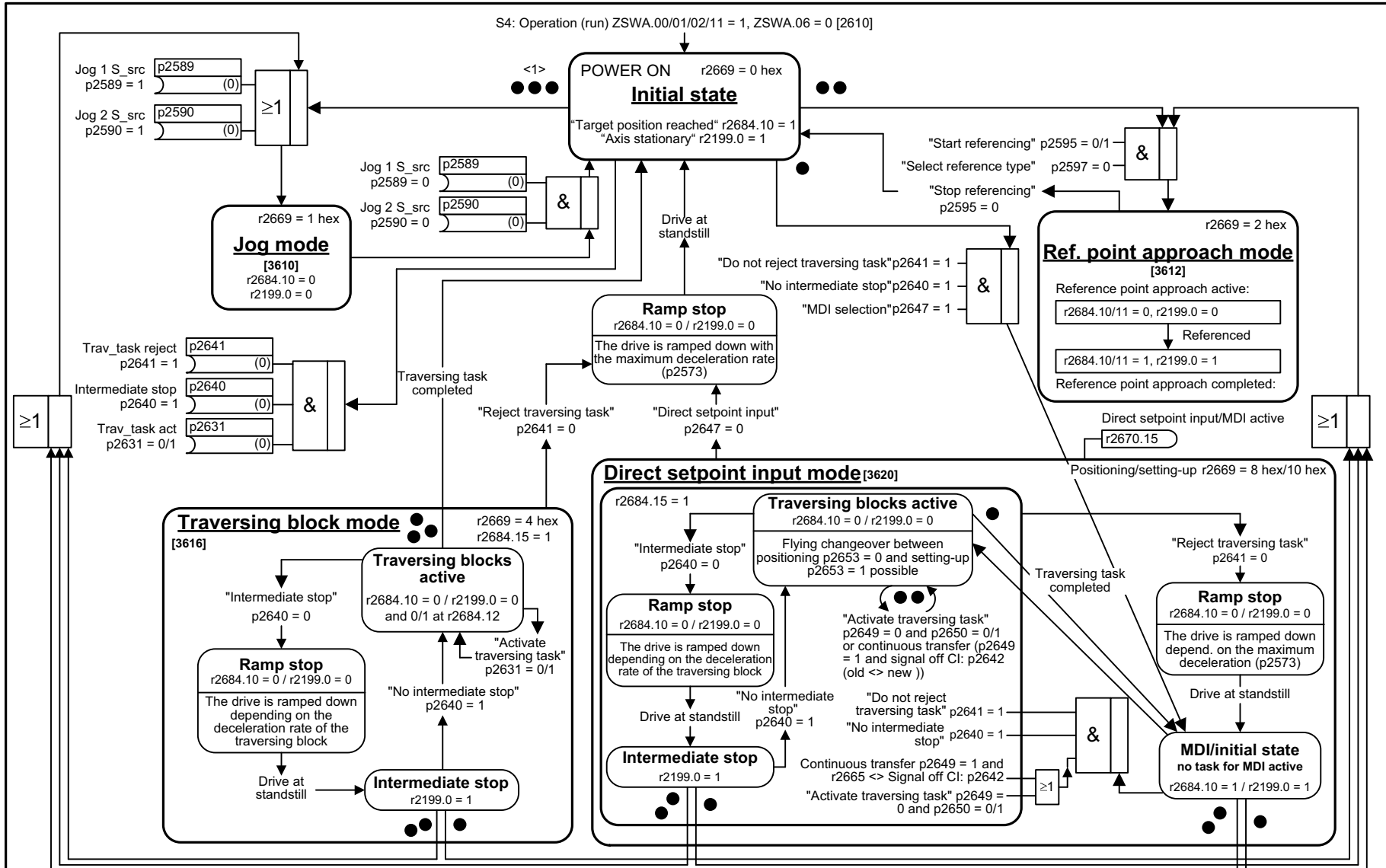


<1> If connector input p2654 is assigned a connector input <=> 0, the control signals "select positioning type", "direction selection positive" and "direction input negative" are internally supplied with values from this output.
Based on the value of the connector input, the following lds are evaluated xxXx:
xx0x = absolute => p2648; xx1x = relative => p2648; xx2x = ABS_POS => p2648, p2651; xx3x = ABS_NEG => p2648, p2652.
<2> Only evaluated with transfer type "edge evaluation" (BI: p2649 = 0 signal).
<3> The connector outputs are only supplied with values from here if the "direct setpoint input MDI" mode is active.
<4> For the transfer type "continuous transfer" (BI: p2649 = 1 signal), relative positioning is not permissible.

1	2	3	4	5	6	7	8
Basic positioner (EPOS)					fp_3620_97_55.vsd	Function diagram	
Direct setpoint input / MDI mode					08.04.2014 V4.7	G120 CU250S-2	
							- 3620 -

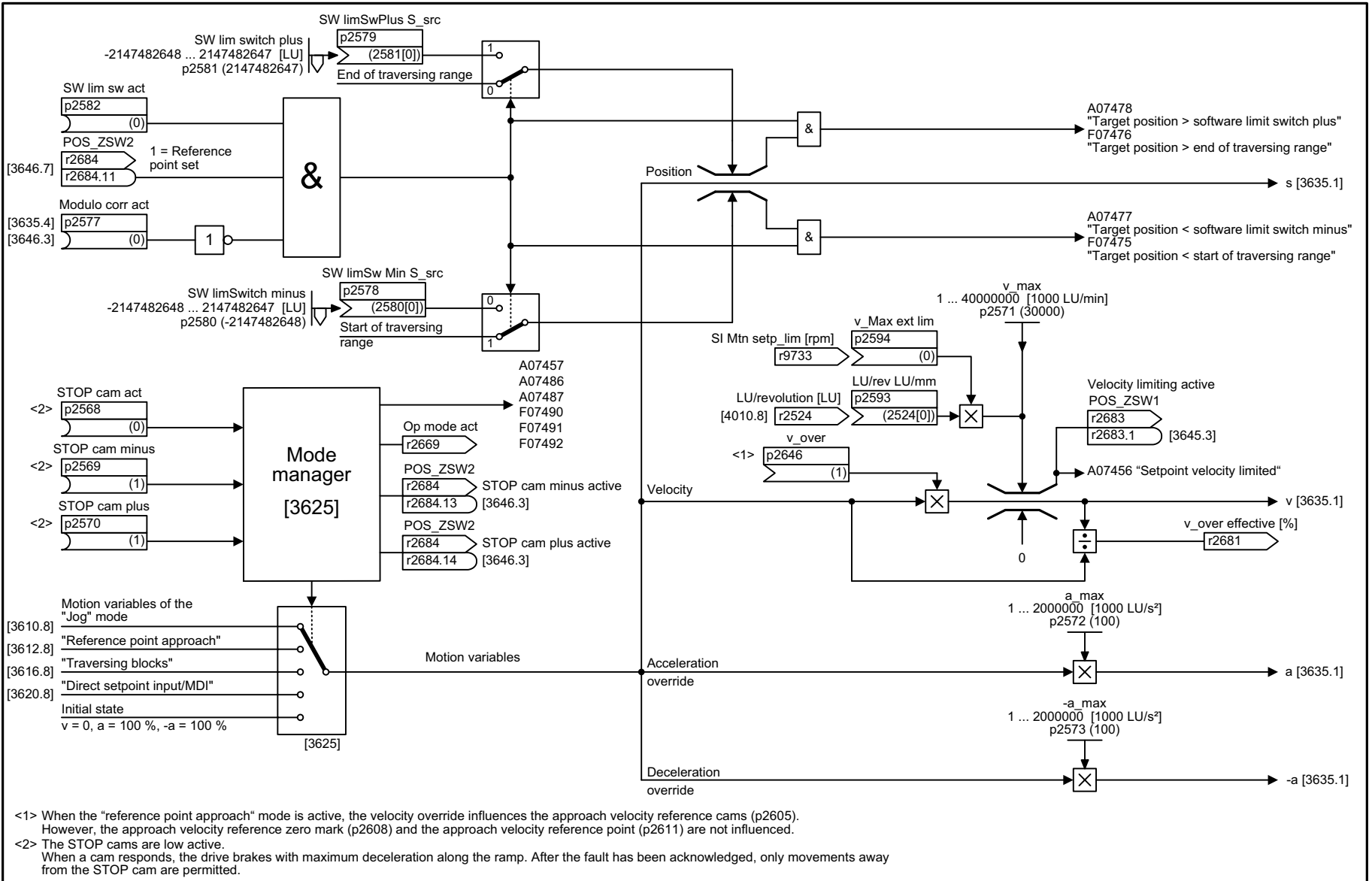
Fig. 3-112 3620 – Direct setpoint input / MDI mode

Fig. 3-113 3625 – Mode control



<1> The more points exist at a transition, the higher the priority.

1	2	3	4	5	6	7	8
Basic positioner (EPOS)					fp_3625_97_55.vsd	Function diagram	
Mode control					08.04.2014 V4.7	G120 CU250S-2	
							- 3625 -



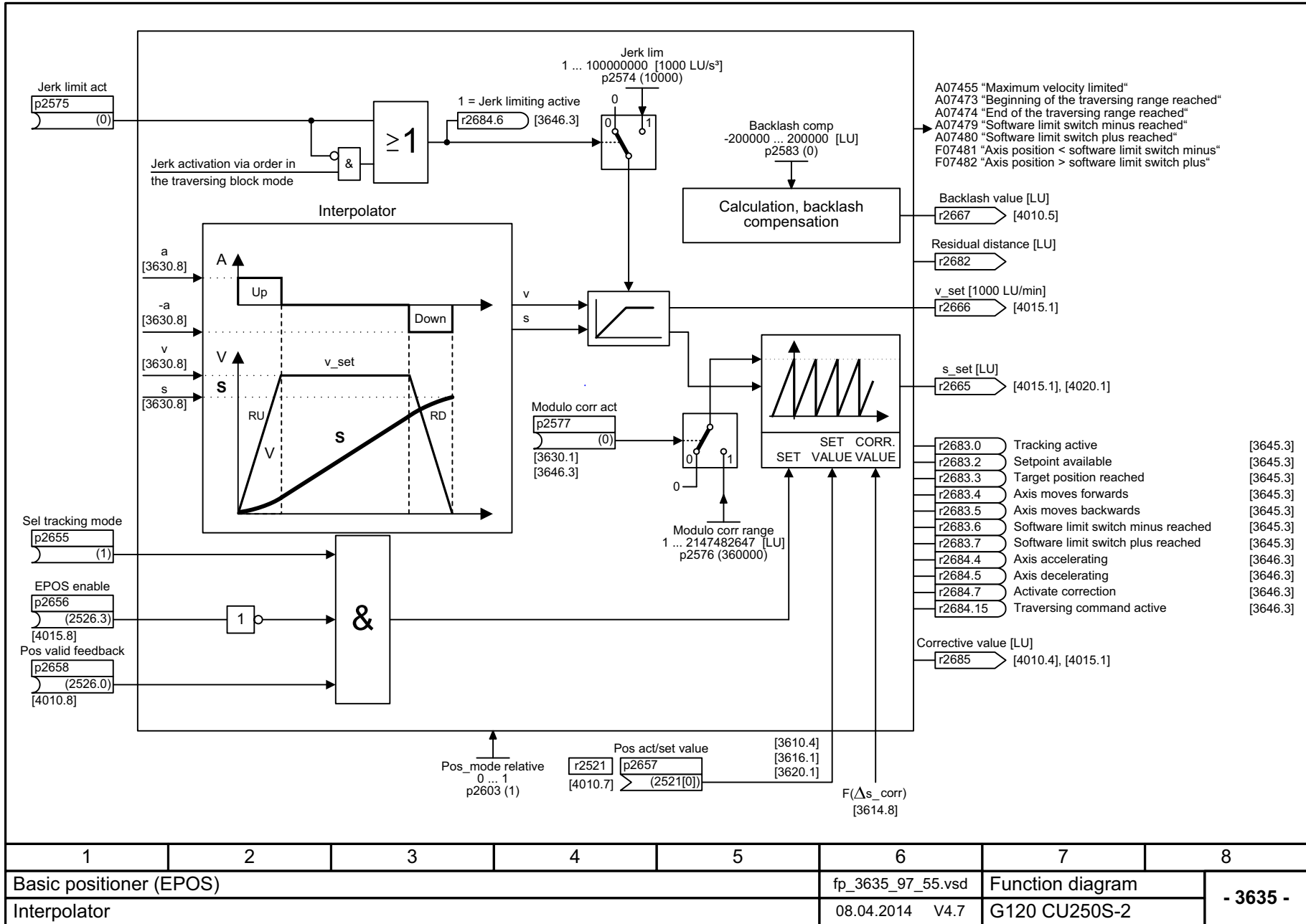
<1> When the "reference point approach" mode is active, the velocity override influences the approach velocity reference cams (p2605). However, the approach velocity reference zero mark (p2608) and the approach velocity reference point (p2611) are not influenced.
 <2> The STOP cams are low active.
 When a cam responds, the drive brakes with maximum deceleration along the ramp. After the fault has been acknowledged, only movements away from the STOP cam are permitted.

1	2	3	4	5	6	7	8
Basic positioner (EPOS)					fp_3630_97_55.vsd	Function diagram	
Traversing range limits					08.04.2014 V4.7	G120 CU250S-2	

- 3630 -

Fig. 3-114 3630 – Traversing range limits

Fig. 3-115 3635 – Interpolator



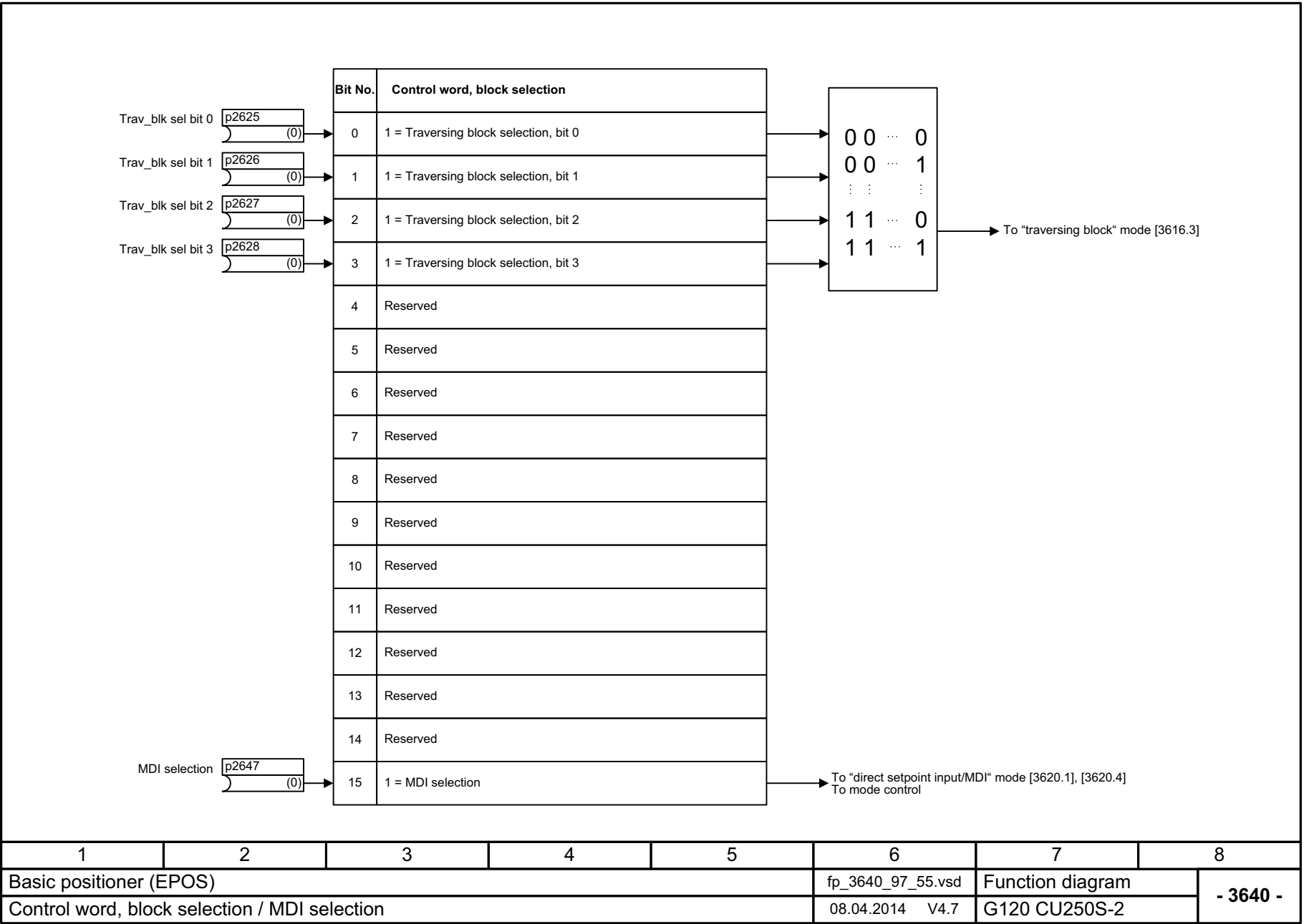
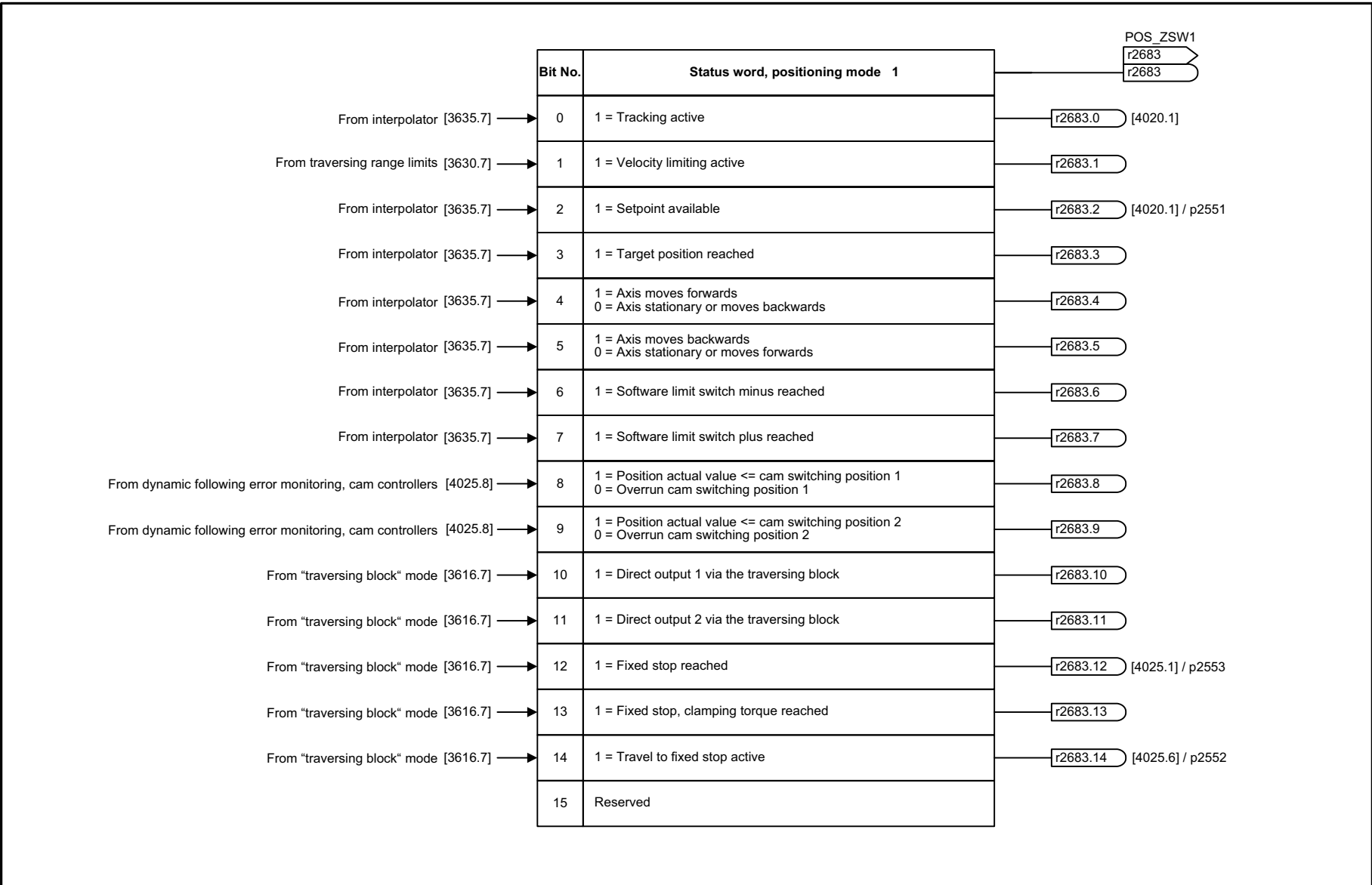


Fig. 3-116 3640 – Control word, block selection / MDI selection



1	2	3	4	5	6	7	8
Basic positioner (EPOS)					fp_3645_97_55.vsd	Function diagram	
Status word 1					08.04.2014 V4.7	G120 CU250S-2	
							- 3645 -

Fig. 3-117 3645 – Status word 1

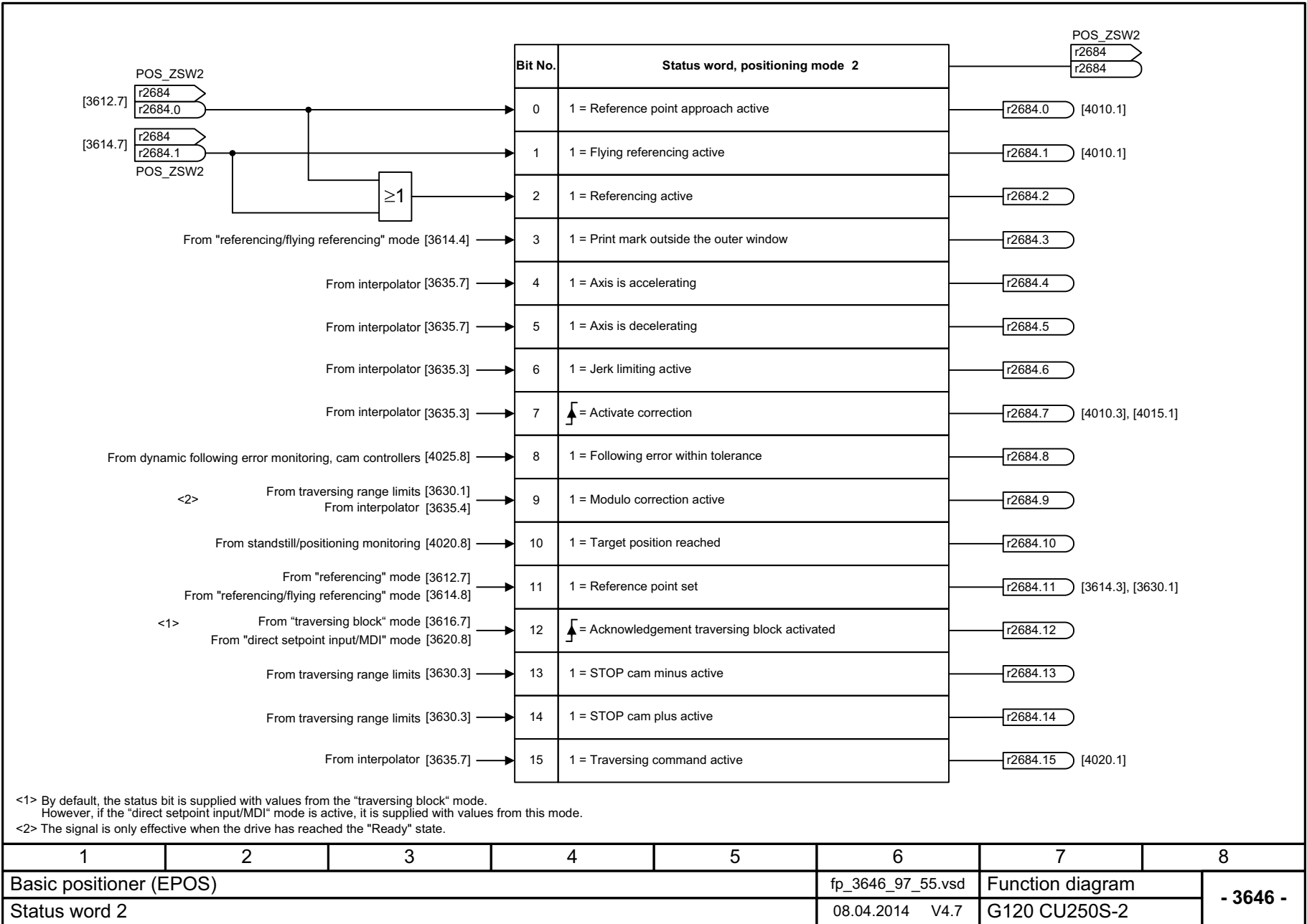
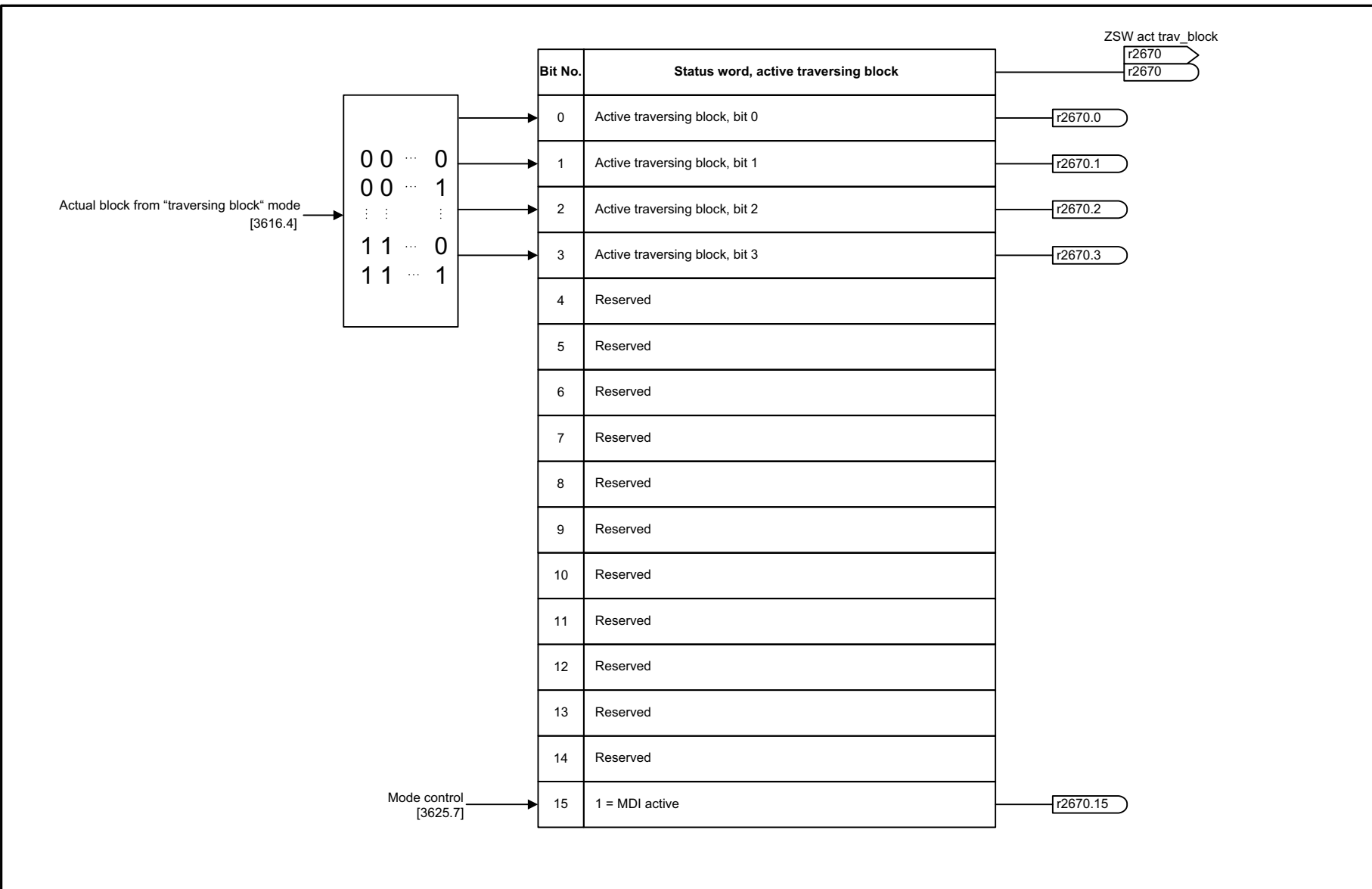


Fig. 3-118 3646 – Status word 2



1	2	3	4	5	6	7	8
Basic positioner (EPOS)					fp_3650_97_55.vsd	Function diagram	
Status word, active traversing block/MDI active					08.04.2014 V4.7	G120 CU250S-2	

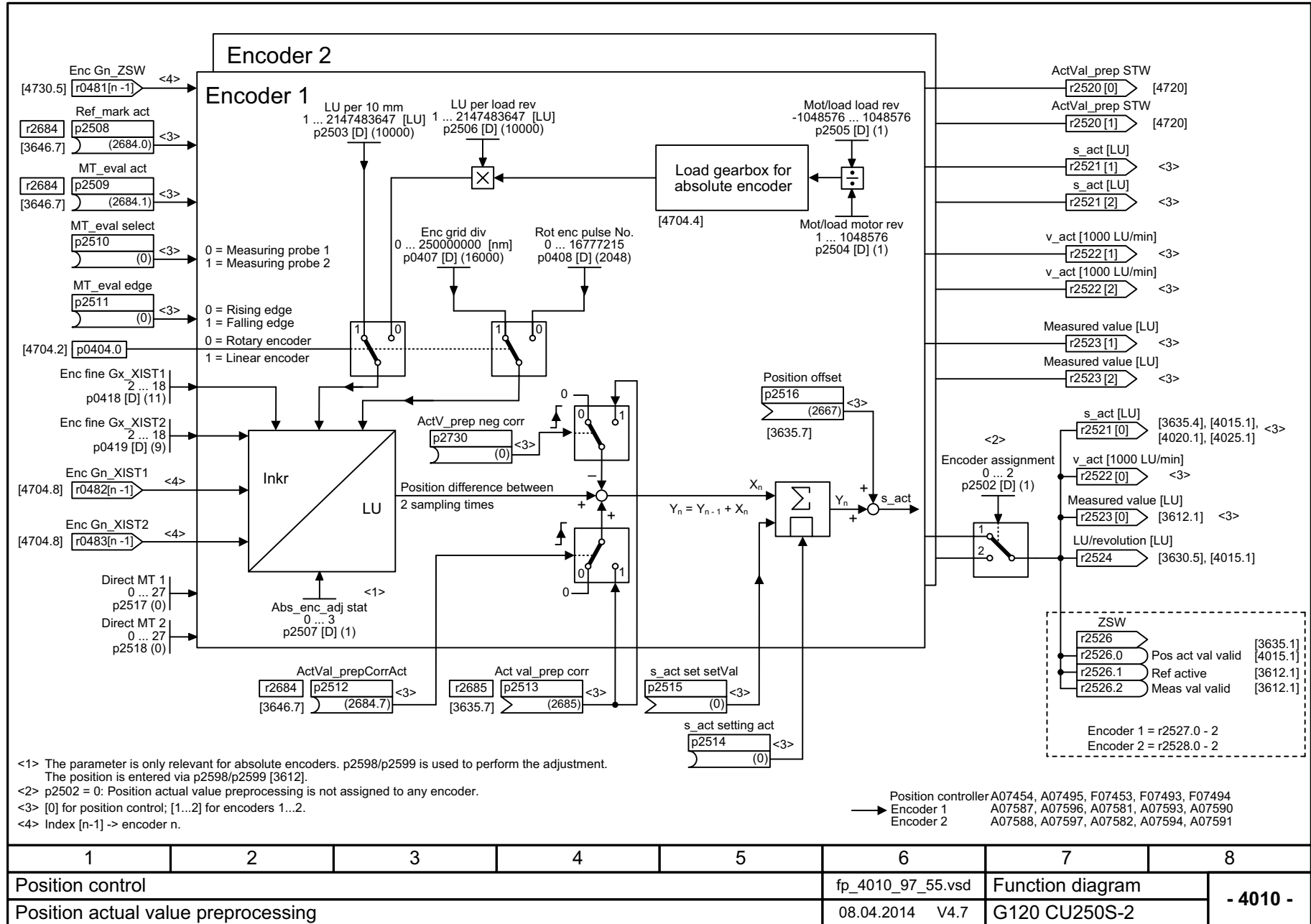
Fig. 3-119 3650 – Status word, active traversing block/MDI active

3.16 Position control

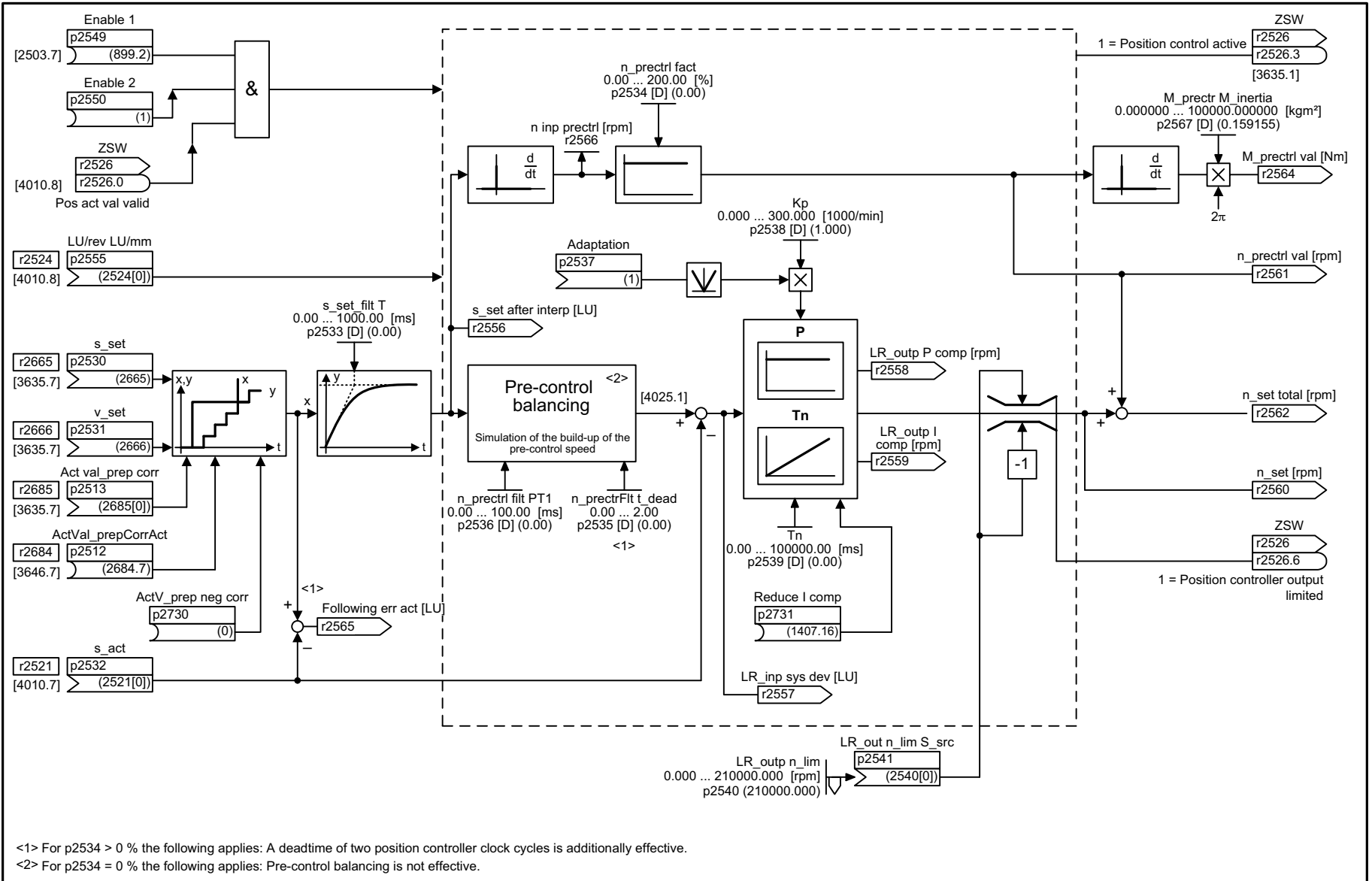
Function diagrams

4010 – Position actual value preprocessing	823
4015 – Position controller	824
4020 – Standstill monitoring / positioning monitoring	825
4025 – Dynamic following error monitoring, cam controllers	826

Fig. 3-120 4010 – Position actual value preprocessing



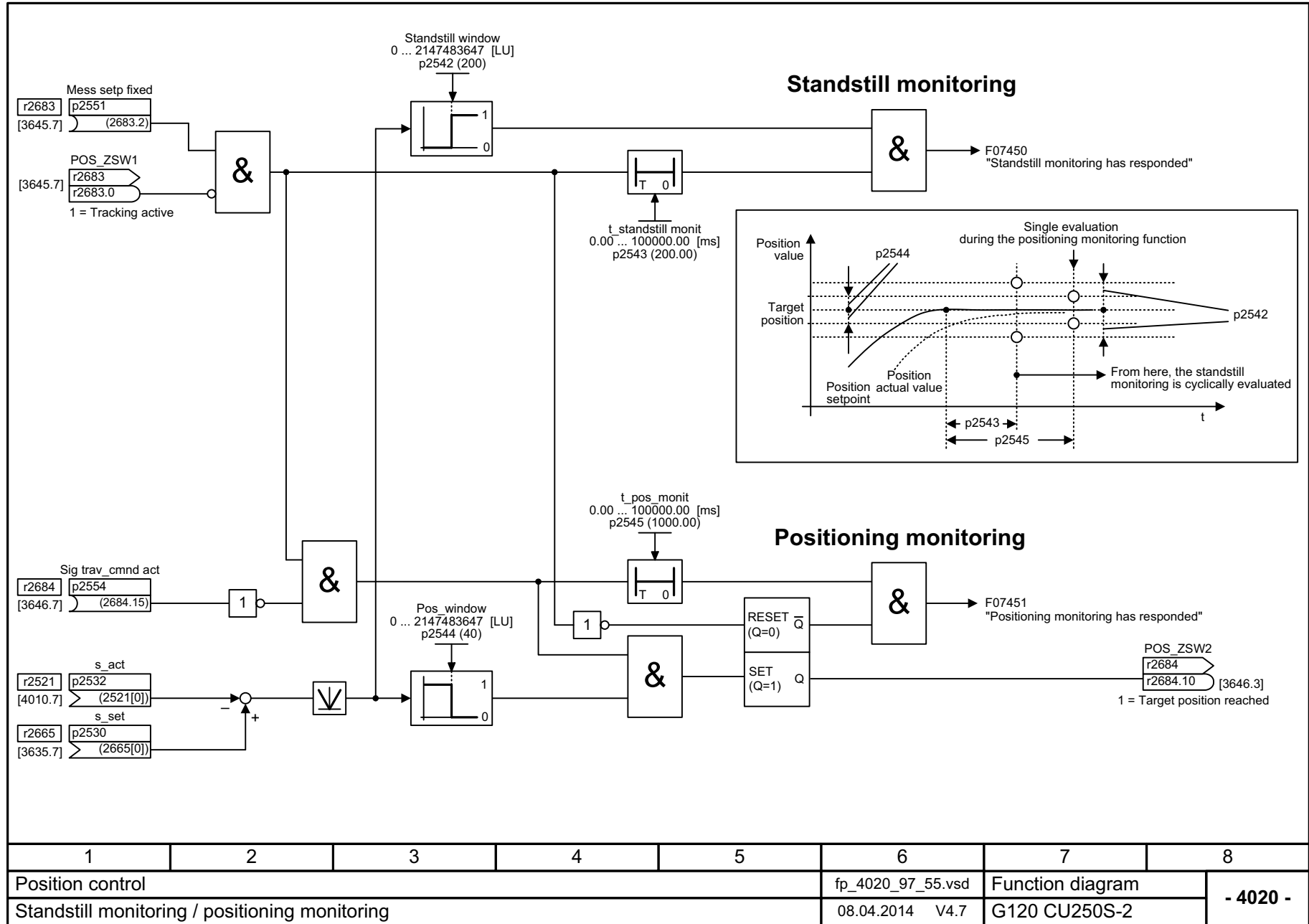
<1> The parameter is only relevant for absolute encoders. p2598/p2599 is used to perform the adjustment. The position is entered via p2598/p2599 [3612].
 <2> p2502 = 0: Position actual value preprocessing is not assigned to any encoder.
 <3> [0] for position control; [1...2] for encoders 1...2.
 <4> Index [n-1] -> encoder n.



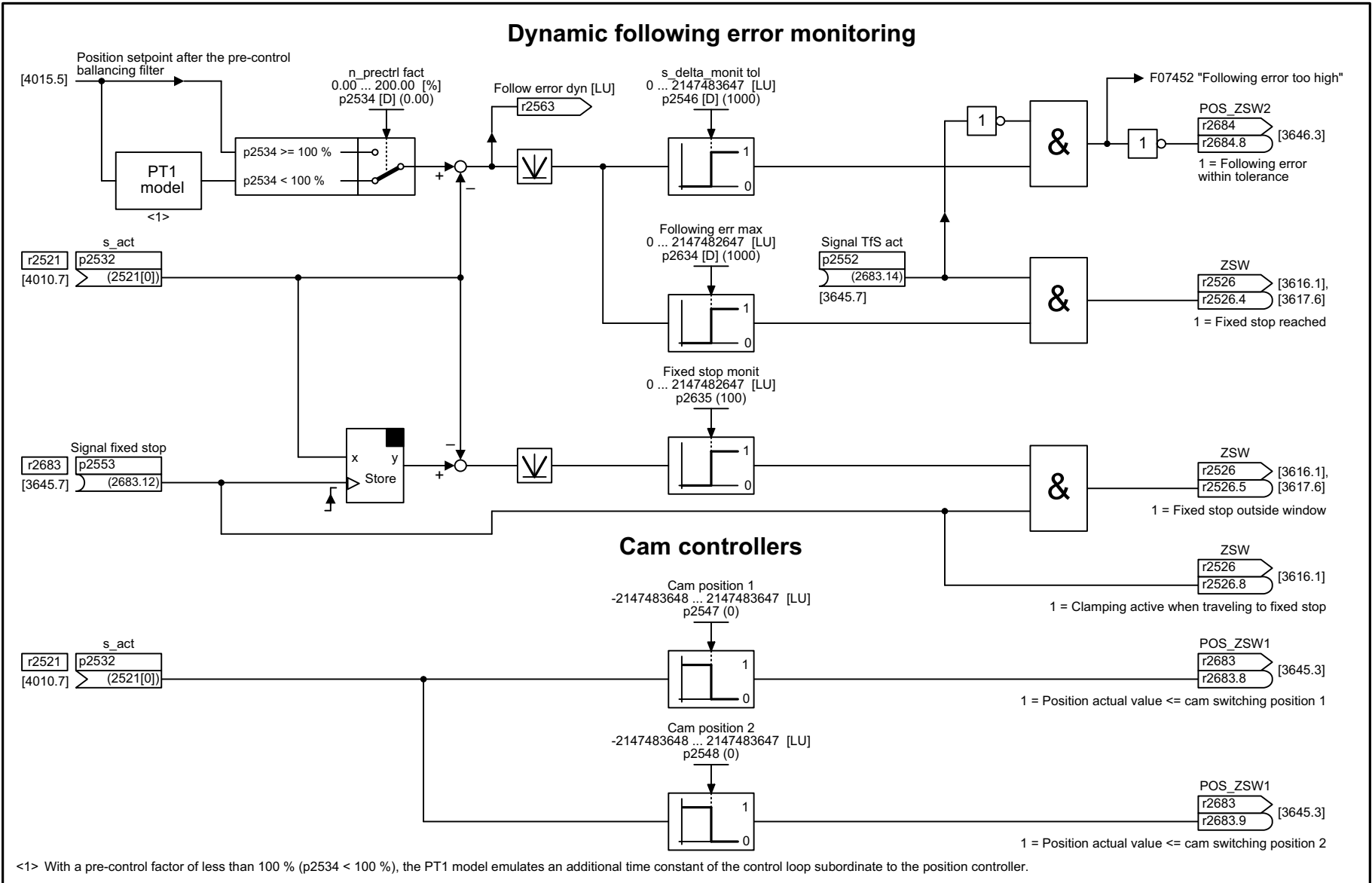
1	2	3	4	5	6	7	8
Position control					fp_4015_97_55.vsd	Function diagram	- 4015 -
Position controller					08.04.2014 V4.7	G120 CU250S-2	

Fig. 3-121 4015 – Position controller

Fig. 3-122 4020 – Standstill monitoring / positioning monitoring



1	2	3	4	5	6	7	8
Position control					fp_4020_97_55.vsd	Function diagram	
Standstill monitoring / positioning monitoring					08.04.2014 V4.7	G120 CU250S-2	
- 4020 -							



1	2	3	4	5	6	7	8
Position control					fp_4025_97_55.vsd	Function diagram	
Dynamic following error monitoring, cam controllers					08.04.2014 V4.7	G120 CU250S-2	

- 4025 -

Fig. 3-123 4025 – Dynamic following error monitoring, cam controllers

3.17 Encoder evaluation

Function diagrams

4704 – Position and temperature sensing, encoders 1 ... 2	828
4715 – Speed actual value and pole pos. sensing, motor encoder ASM/SM (encoder 1)	829
4720 – Encoder interface, receive signals, encoders 1 ... 2	830
4730 – Encoder interface, send signals, encoders 1 ... 2	831
4735 – Reference mark search with external zero mark, encoder 1	832
4750 – Absolute value for incremental encoder	833

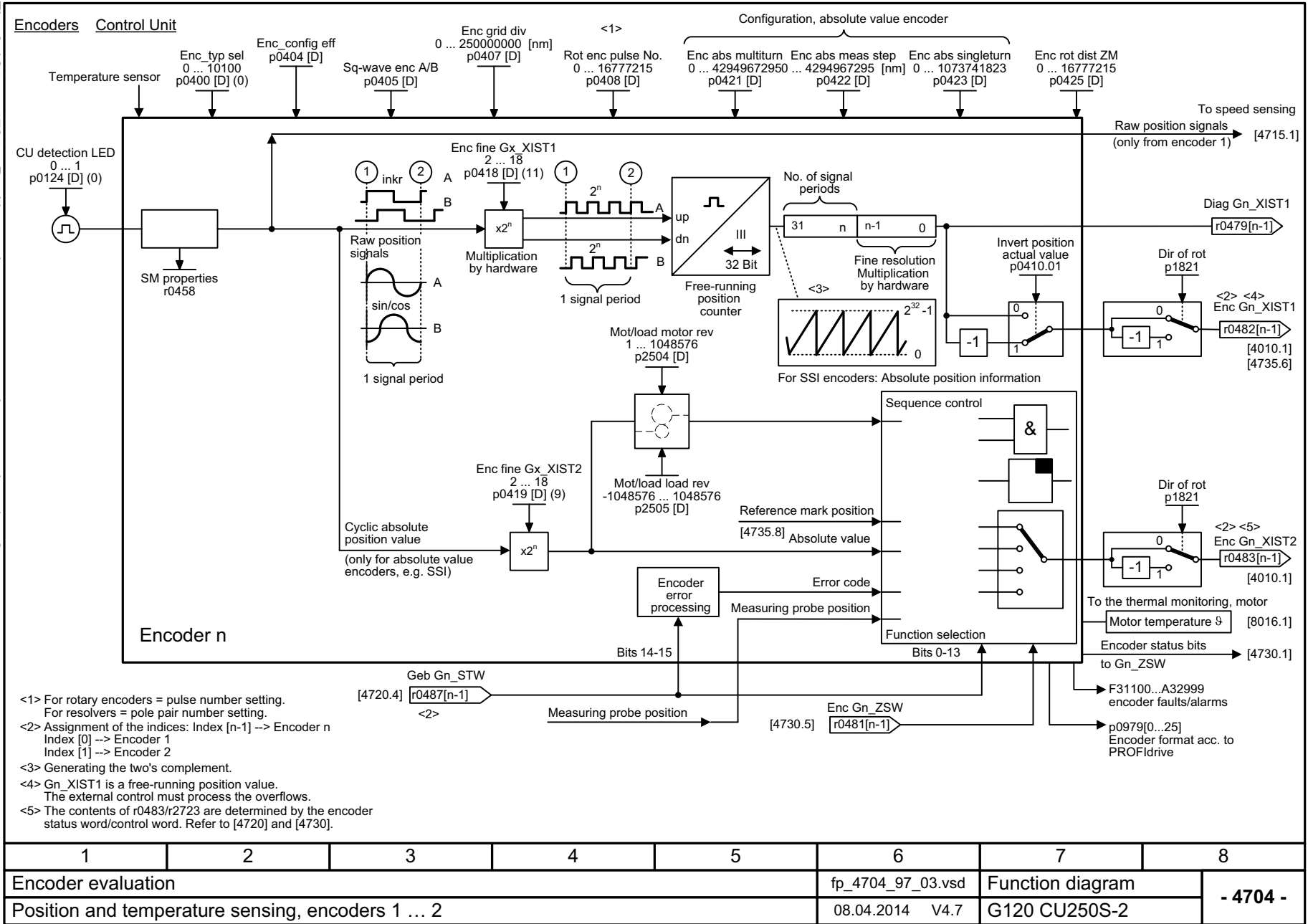
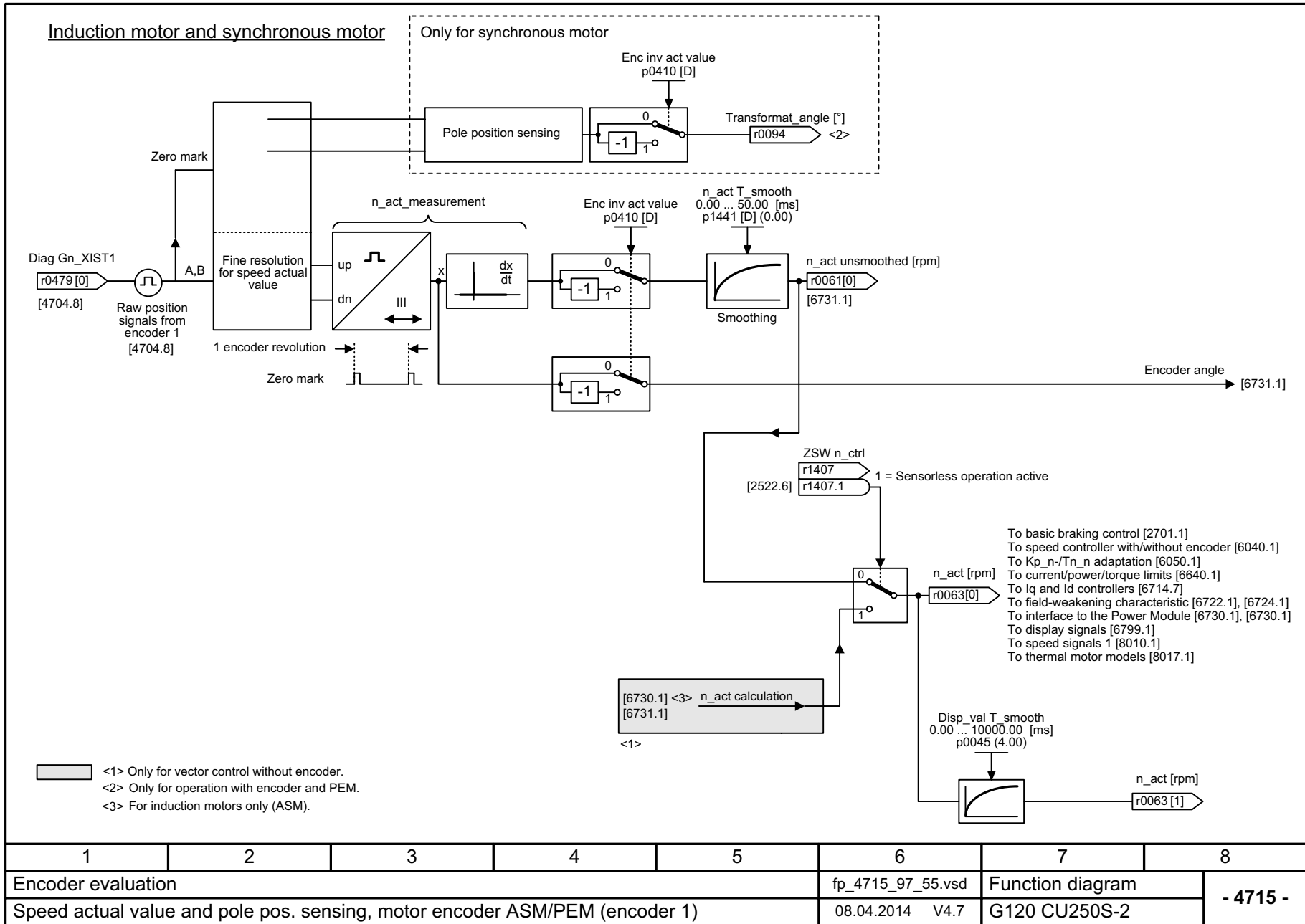


Fig. 3-124 4704 – Position and temperature sensing, encoders 1 ... 2

1	2	3	4	5	6	7	8
Encoder evaluation					fp_4704_97_03.vsd	Function diagram	
Position and temperature sensing, encoders 1 ... 2					08.04.2014 V4.7	G120 CU250S-2	
							- 4704 -

Fig. 3-125 4715 – Speed actual value and pole pos. sensing, motor encoder ASM/SM (encoder 1)



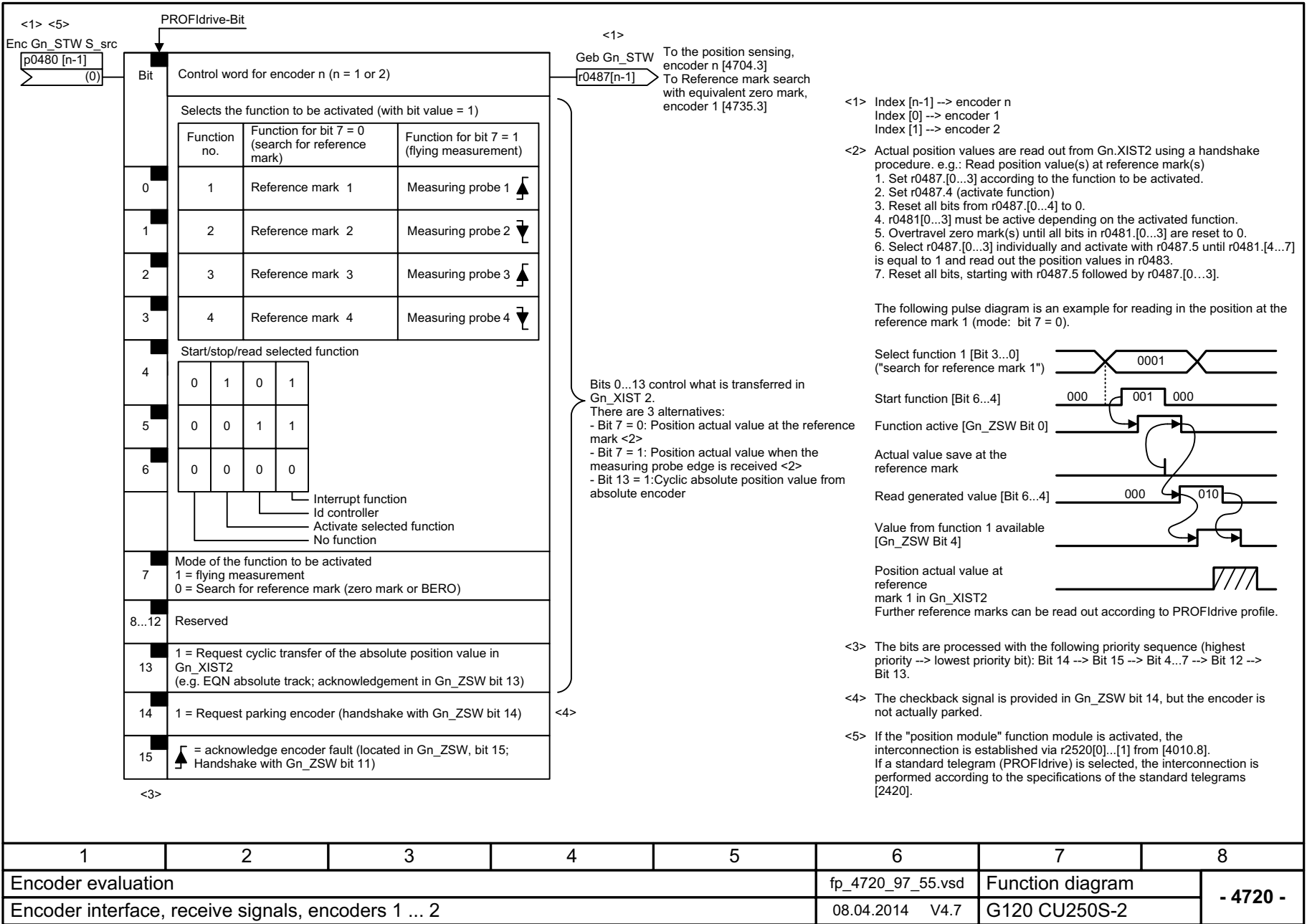
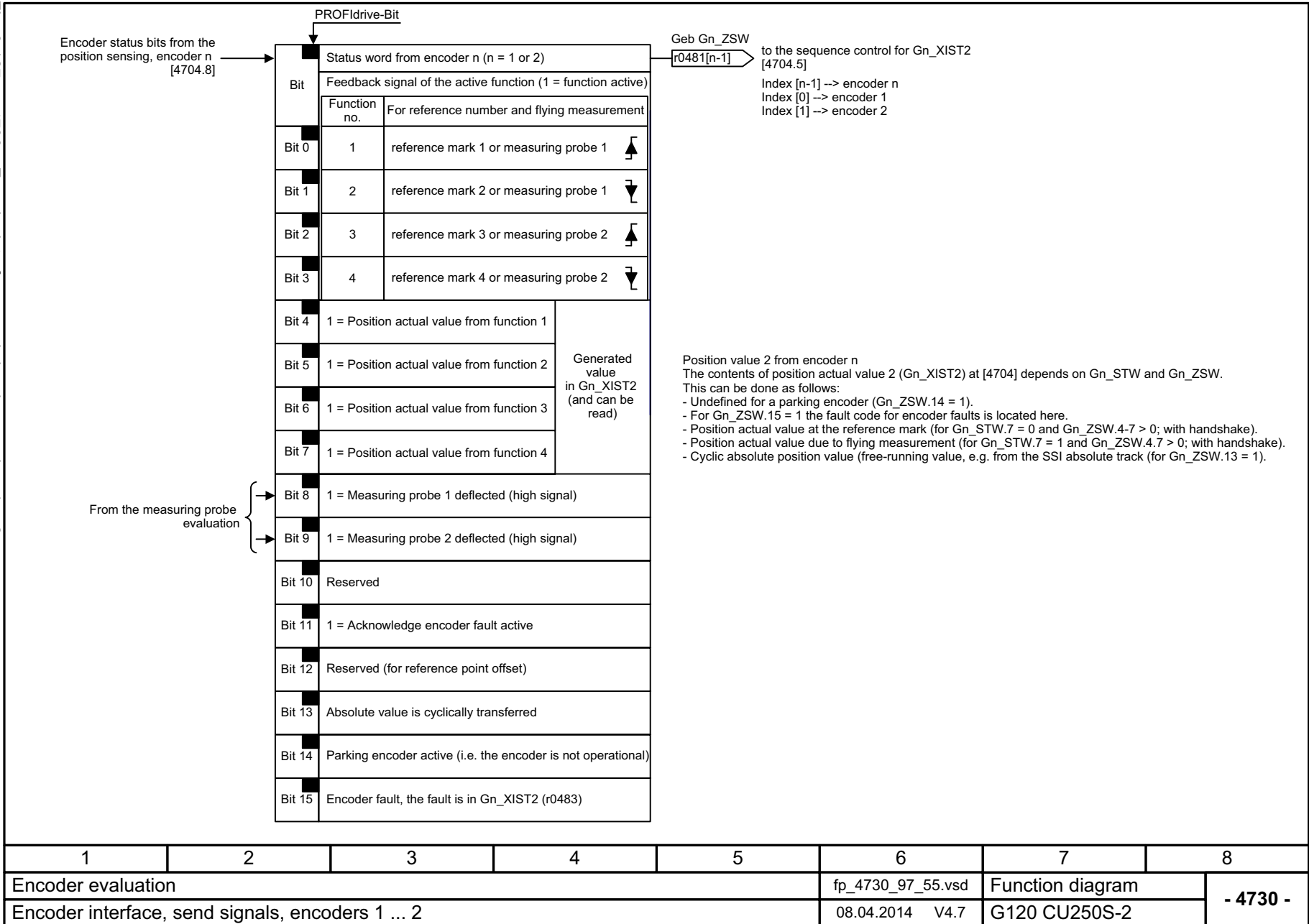
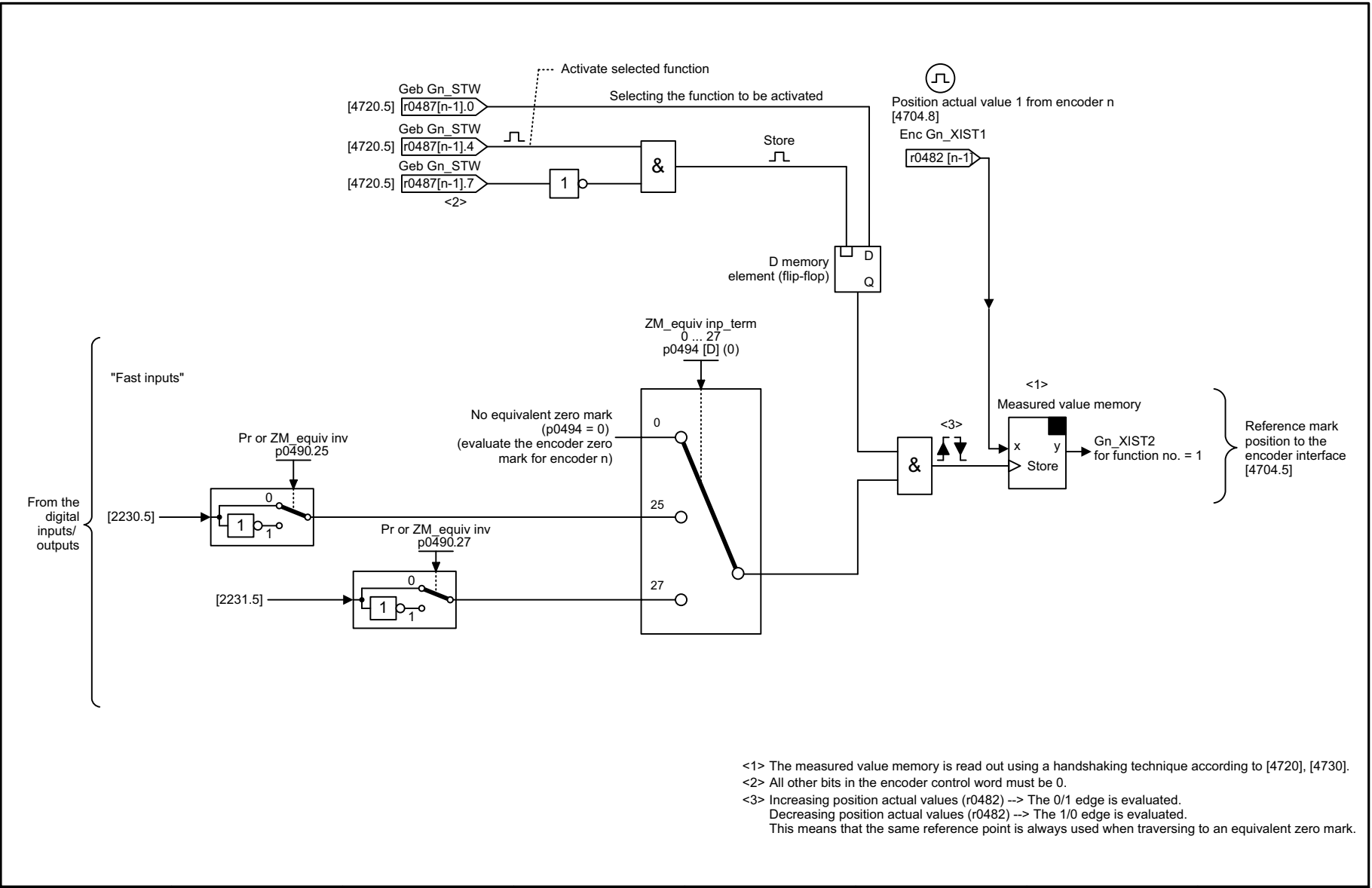


Fig. 3-127 4730 – Encoder interface; send signals, encoders 1 ... 2

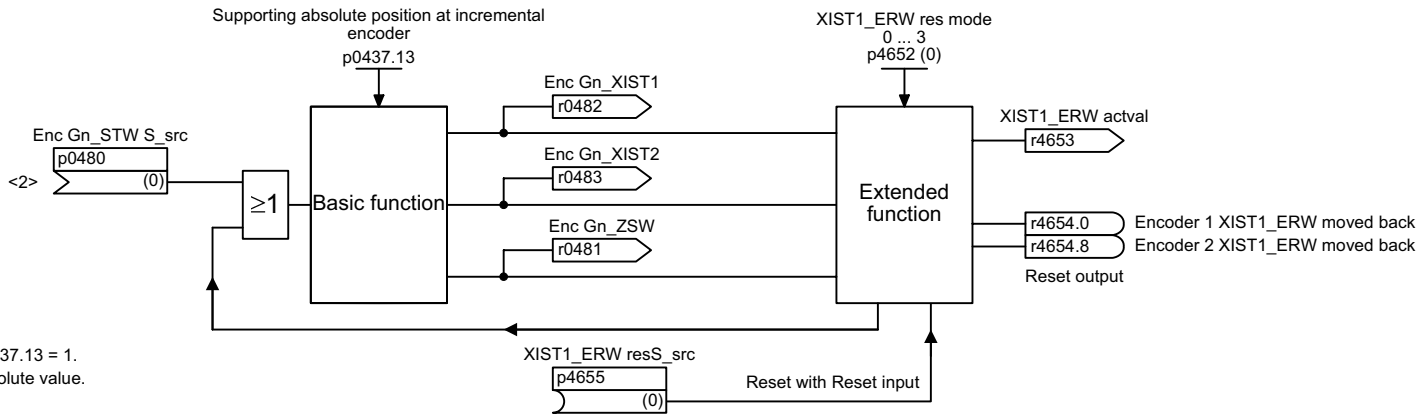
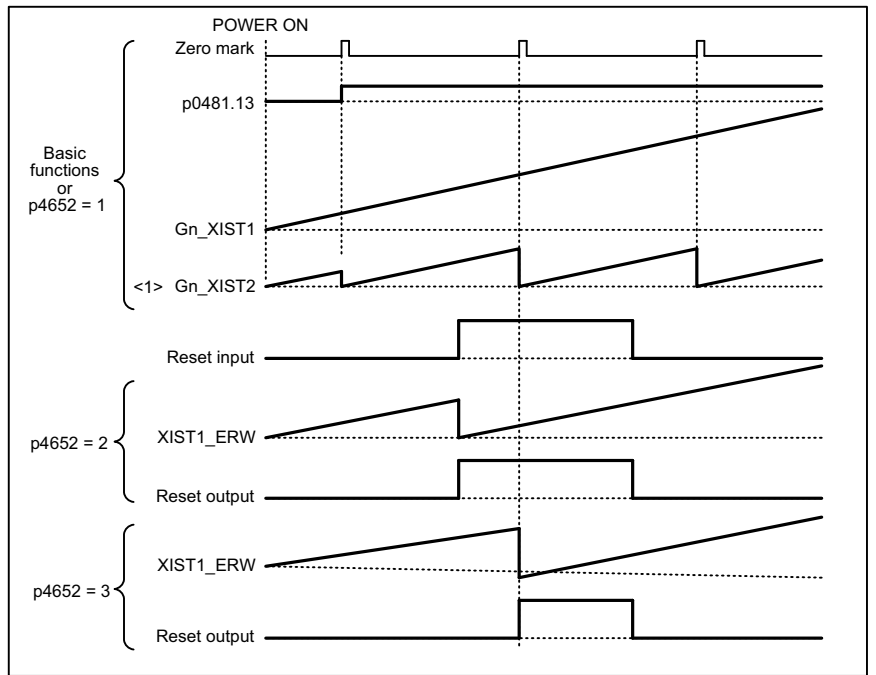




<1> The measured value memory is read out using a handshaking technique according to [4720], [4730].
 <2> All other bits in the encoder control word must be 0.
 <3> Increasing position actual values (`r0482`) --> The 0/1 edge is evaluated.
 Decreasing position actual values (`r0482`) --> The 1/0 edge is evaluated.
 This means that the same reference point is always used when traversing to an equivalent zero mark.

1	2	3	4	5	6	7	8
Encoder evaluation					fp_4735_97_55.vsd	Function diagram	
Reference mark search with external zero mark, encoder 1					08.04.2014 V4.7	G120 CU250S-2	

Fig. 3-128 4735 – Reference mark search with external zero mark; encoder 1



<1> Only applies for p0437.13 = 1.
<2> Bit 13: Request absolute value.

1	2	3	4	5	6	7	8
Encoder evaluation					fp_4750_97_03.vsd	Function diagram	
Absolute value for incremental encoder					08.04.2014 V4.7	G120 CU250S-2	
- 4750 -							

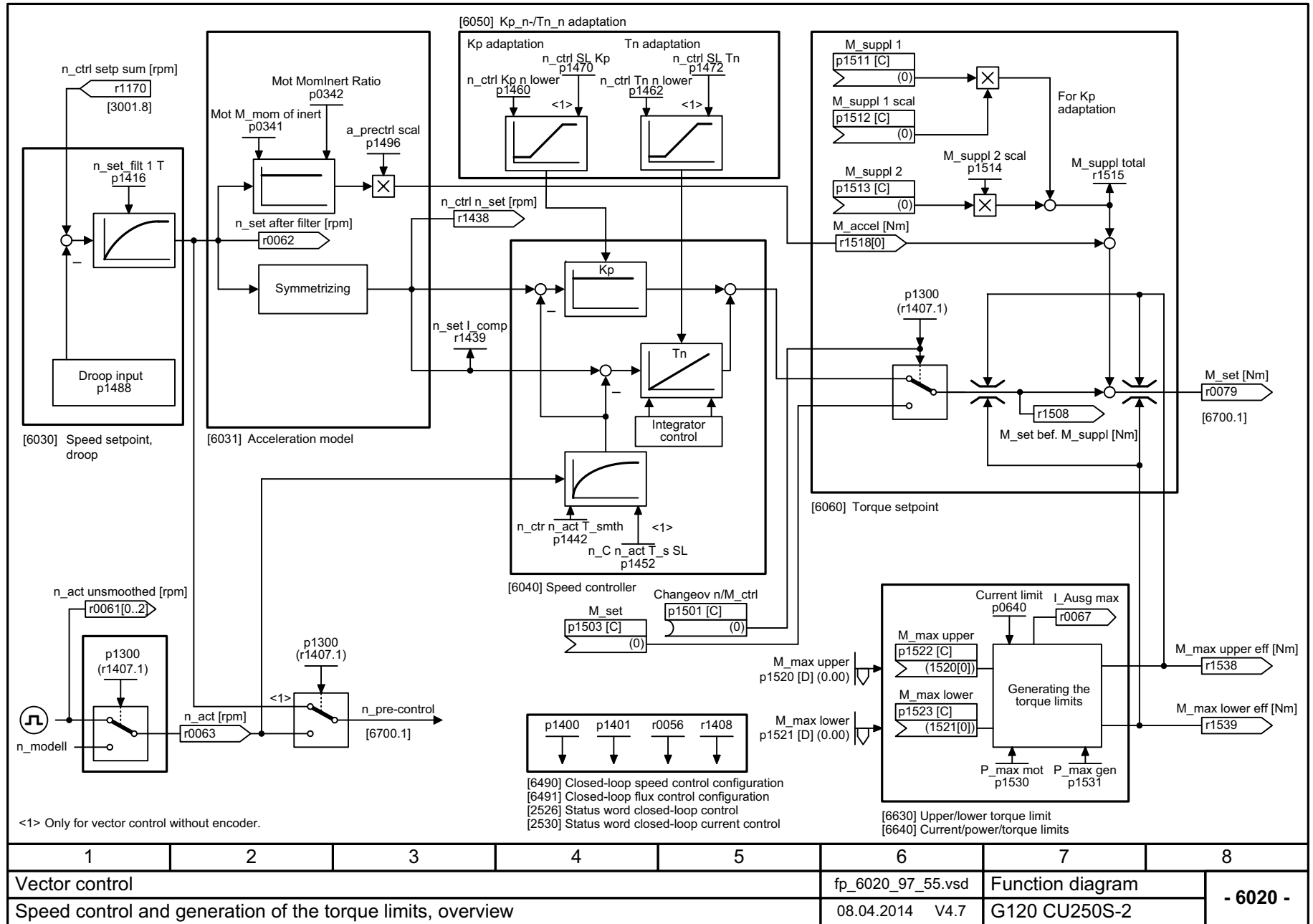
Fig. 3-129 4750 – Absolute value for incremental encoder

3.18 Vector control

Function diagrams

6020 – Speed control and generation of the torque limits, overview	835
6030 – Speed setpoint, droop	836
6031 – Pre-control balancing, acceleration model	837
6040 – Speed controller	838
6050 – K_p / T_n adaptation	839
6060 – Torque setpoint	840
6220 – V_{dc_max} controller and V_{dc_min} controller (PM240)	841
6300 – U/f control, overview	842
6301 – U/f characteristic and voltage boost	843
6310 – Resonance damping and slip compensation	844
6320 – V_{dc_max} controller and V_{dc_min} controller (PM240), (U/f)	845
6490 – Speed control configuration	846
6491 – Flux control configuration	847
6630 – Upper/lower torque limit	848
6640 – Current/power/torque limits	849
6700 – Current control, overview	850
6710 – Current setpoint filter	851
6714 – I_q and I_d controllers	852
6721 – I_d setpoint (PEM, p0300 = 2xx)	853
6722 – Field weakening characteristic, I_d setpoint (ASM, p0300 = 1)	854
6723 – Field weakening controller, flux controller (ASM, p0300 = 1)	855
6724 – Field weakening controller (PEM, p0300 = 2xx)	856
6730 – Interface to the Power Module (ASM, p0300 = 1)	857
6731 – Interface to the Power Module (PEM, p0300 = 2xx)	858
6799 – Display signals	859

Fig. 3-130 6020 – Speed control and generation of the torque limits, overview



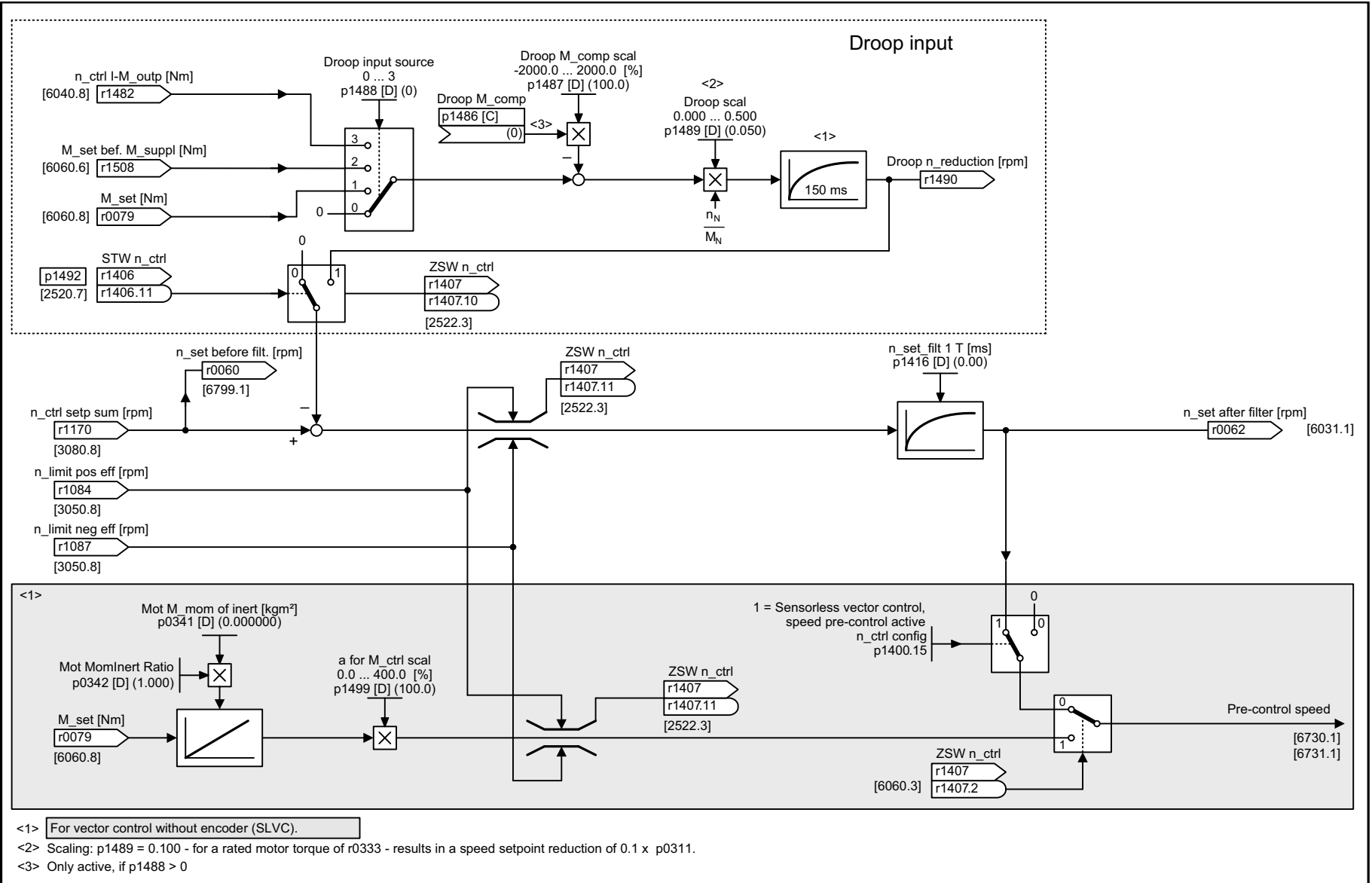
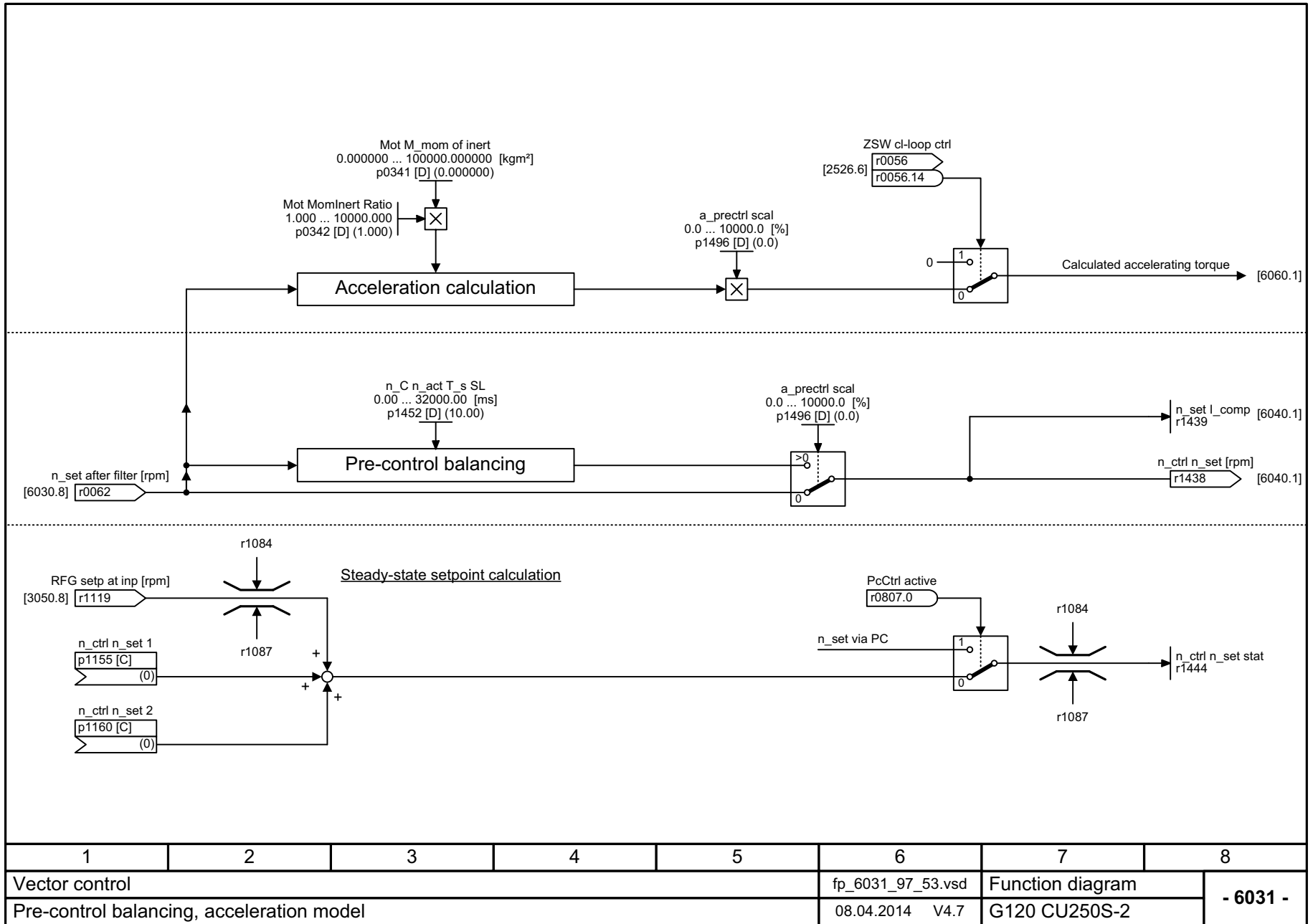


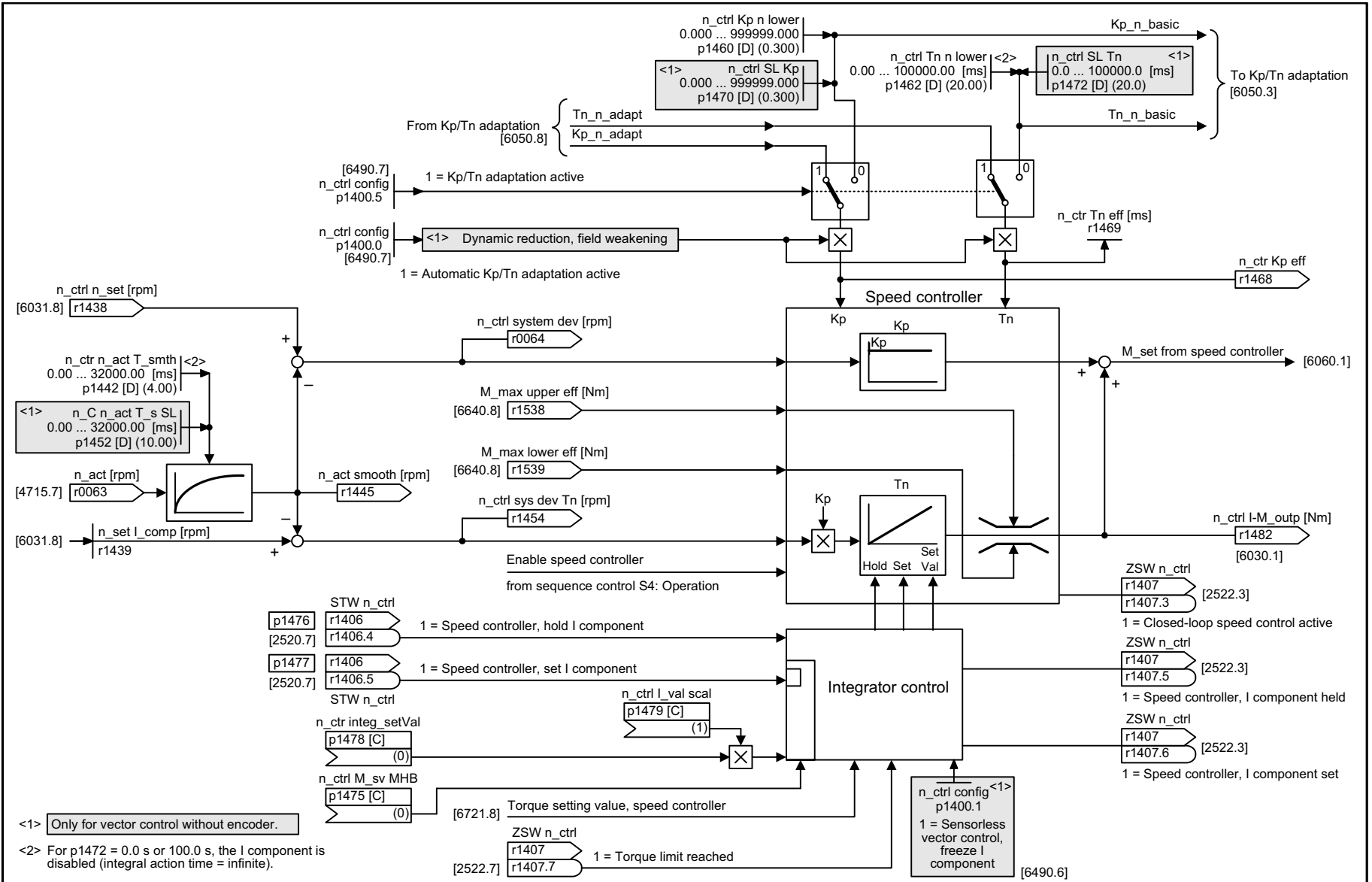
Fig. 3-131 6030 – Speed setpoint, droop

1	2	3	4	5	6	7	8
Vector control					fp_6030_97_55.vsd	Function diagram	
Speed setpoint, droop					08.04.2014 V4.7	G120 CU250S-2	
- 6030 -							

Fig. 3-132 6031 – Pre-control balancing, acceleration model



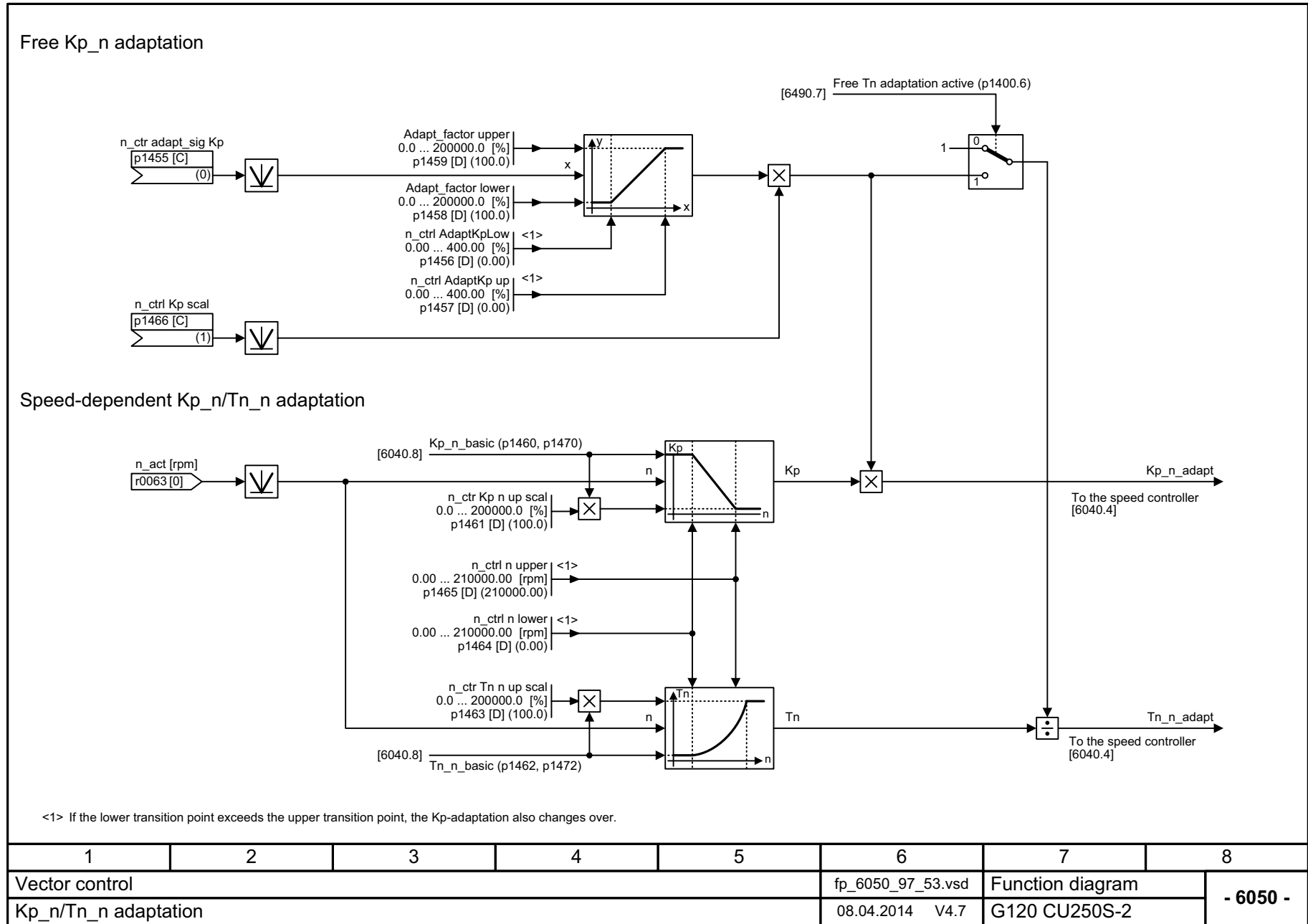
1	2	3	4	5	6	7	8
Vector control					fp_6031_97_53.vsd	Function diagram	
Pre-control balancing, acceleration model					08.04.2014 V4.7	G120 CU250S-2	
							- 6031 -



1	2	3	4	5	6	7	8
Vector control					fp_6040_97_55.vsd	Function diagram	
Speed controller					08.04.2014 V4.7	G120 CU250S-2	
- 6040 -							

Fig. 3-133 6040 – Speed controller

Fig. 3-134 6050 – Kp_n/Tn_n adaptation



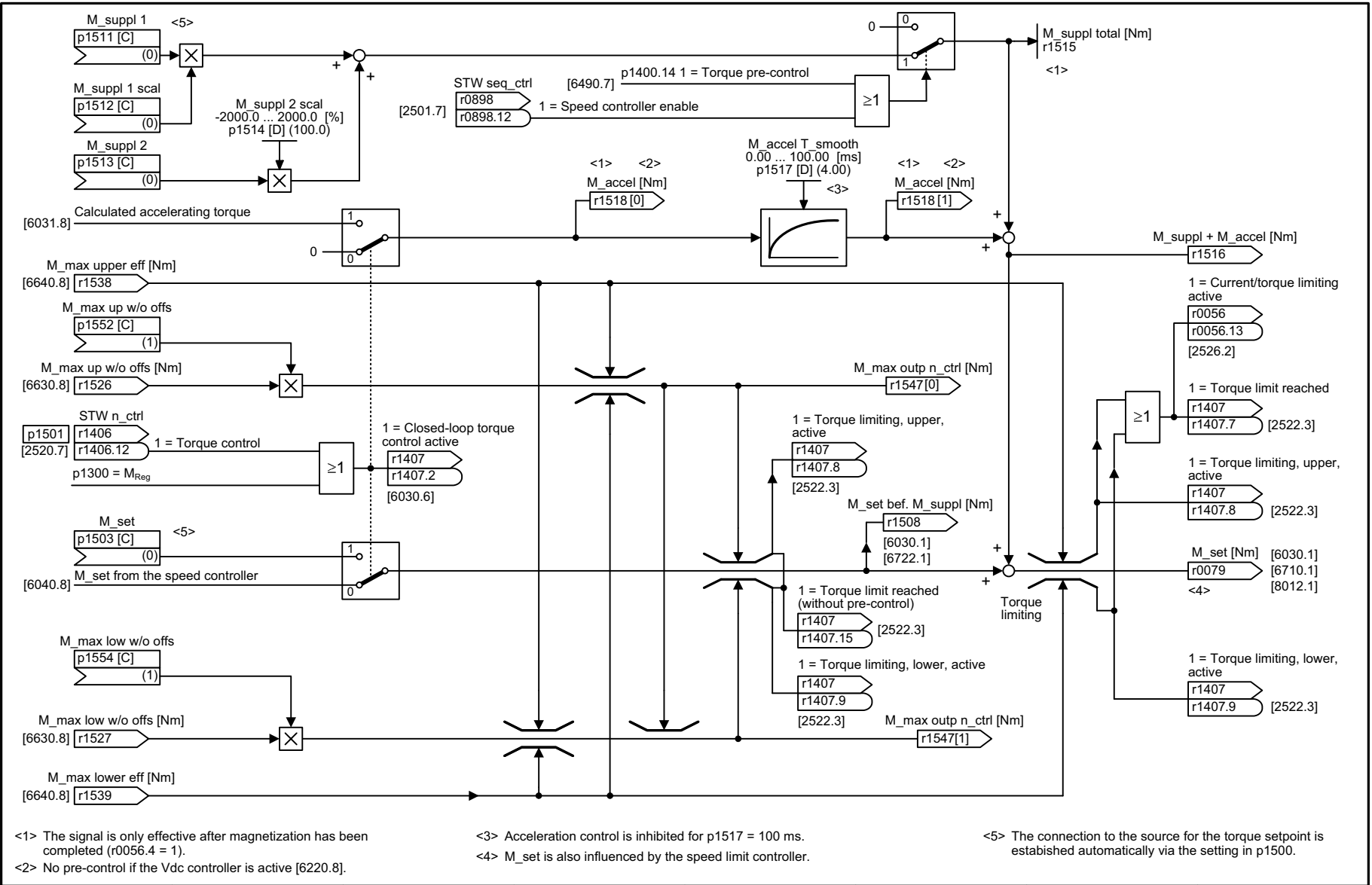
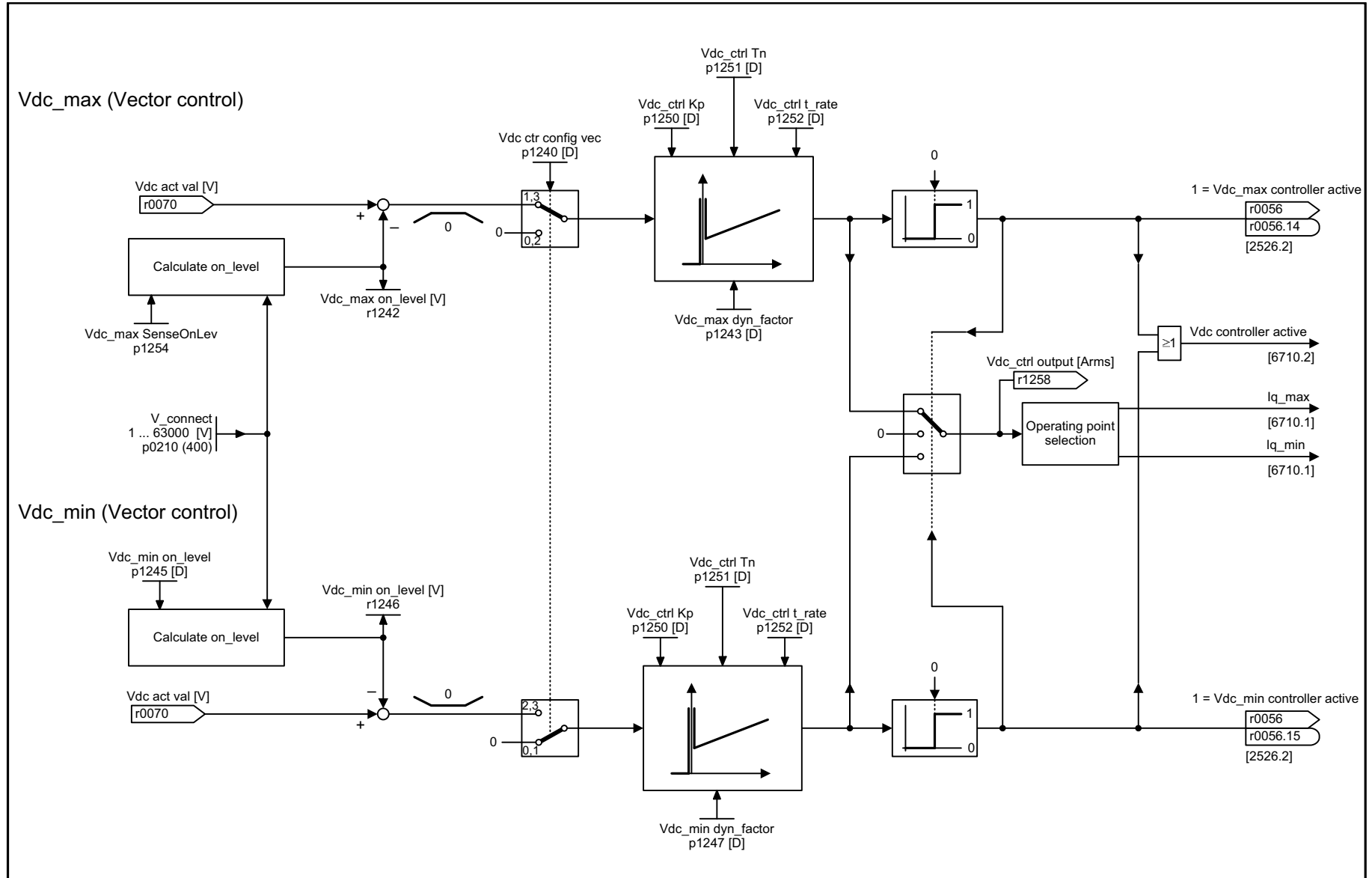


Fig. 3-135 6060 – Torque setpoint

1	2	3	4	5	6	7	8
Vector control					fp_6060_97_53.vsd	Function diagram	
Torque setpoint					08.04.2014 V4.7	G120 CU250S-2	
							- 6060 -

Fig. 3-136 6220 – Vdc_max controller and Vdc_min controller (PM240)



1	2	3	4	5	6	7	8
Vector control					fp_6220_97_52.vsd	Function diagram	
Vdc_max controller and Vdc_min controller (PM240)					08.04.2014 V4.7	G120 CU250S-2	
							- 6220 -

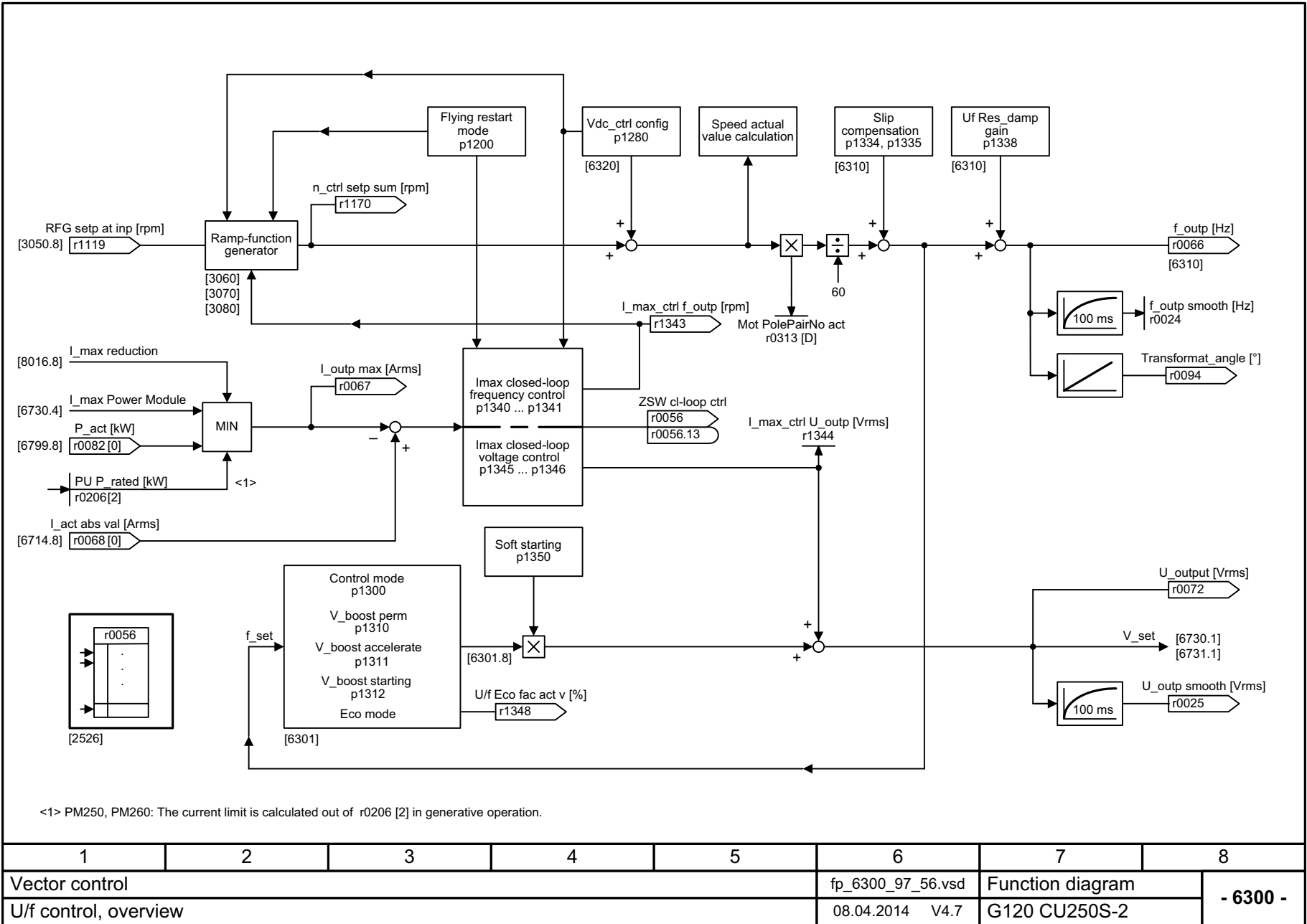
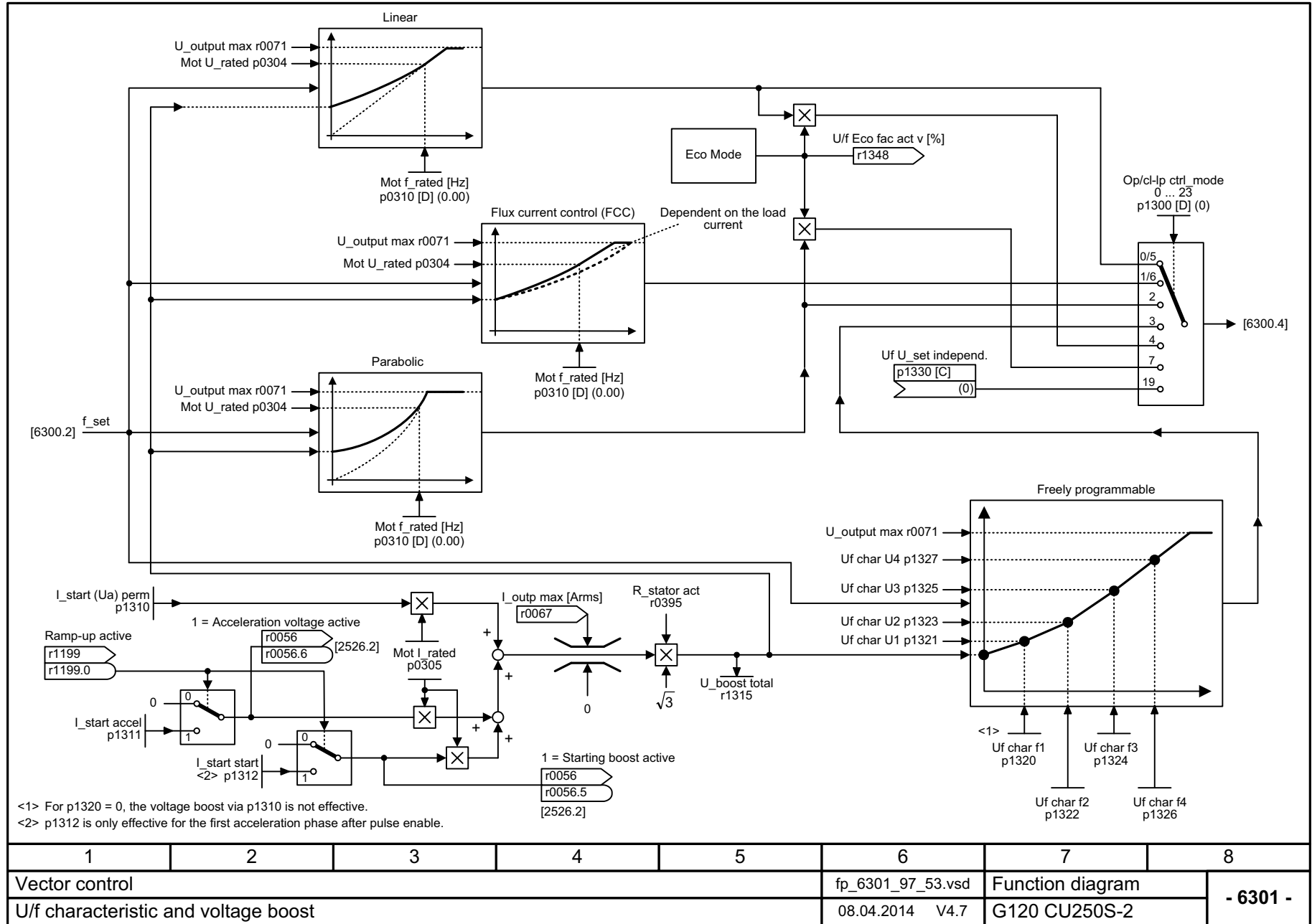
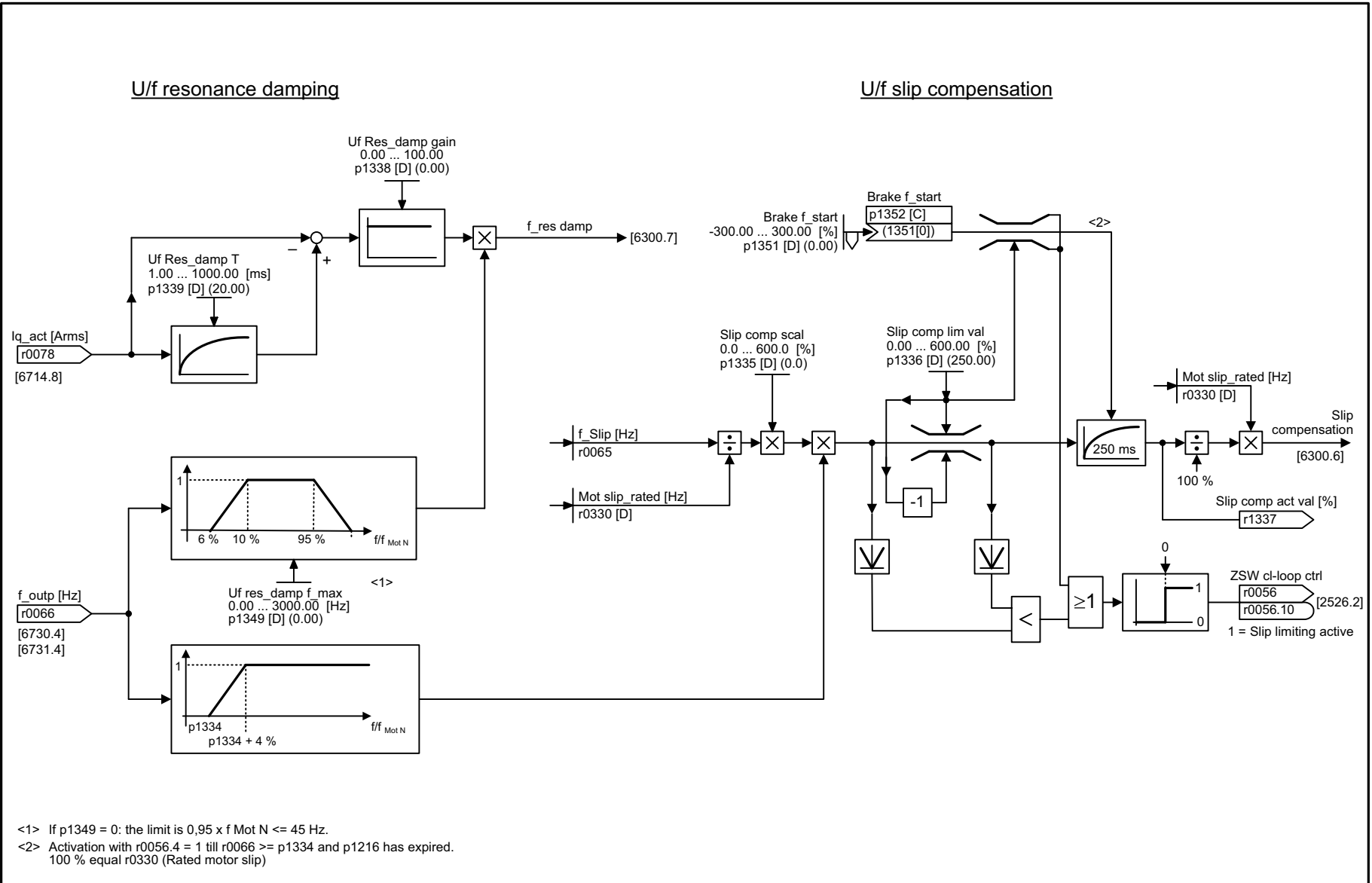


Fig. 3-137 6300 – U/f control, overview

1	2	3	4	5	6	7	8
Vector control					fp_6300_97_56.vsd	Function diagram	
U/f control, overview					08.04.2014 V4.7	G120 CU250S-2	
							- 6300 -

Fig. 3-138 6301 – U/f characteristic and voltage boost

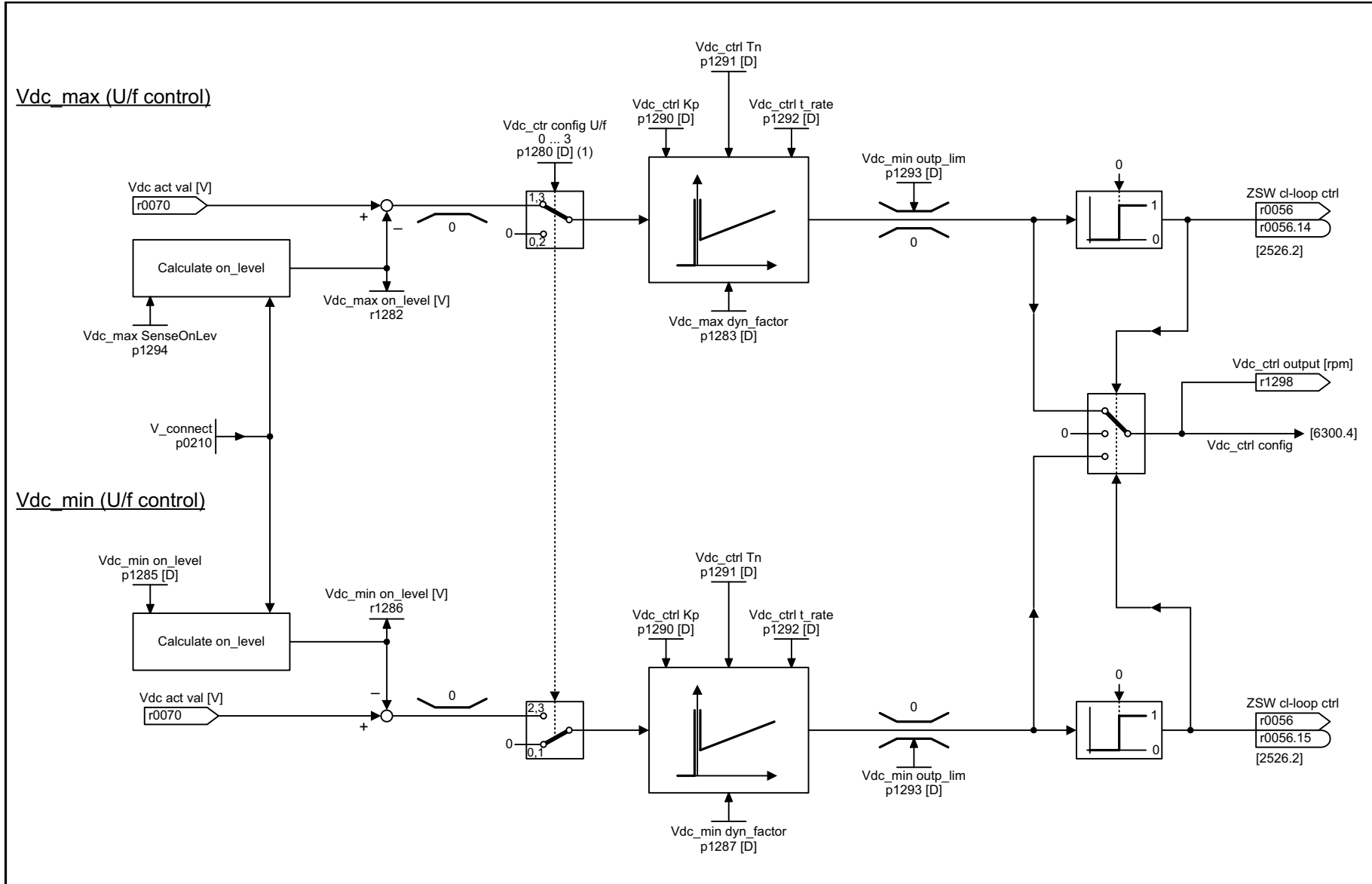




1	2	3	4	5	6	7	8
Vector control					fp_6310_97_53.vsd	Function diagram	
Resonance damping and slip compensation (U/f)					08.04.2014 V4.7	G120 CU250S-2	
							- 6310 -

Fig. 3-139 6310 –Resonance damping and slip compensation

Fig. 3-140 6320 – Vdc_max controller and Vdc_min controller (PM240), (U/f)



1	2	3	4	5	6	7	8
Vector control					fp_6320_97_03.vsd	Function diagram	
Vdc_max controller and Vdc_min controller (PM240), (U/f)					08.04.2014 V4.7	G120 CU250S-2	
							- 6320 -

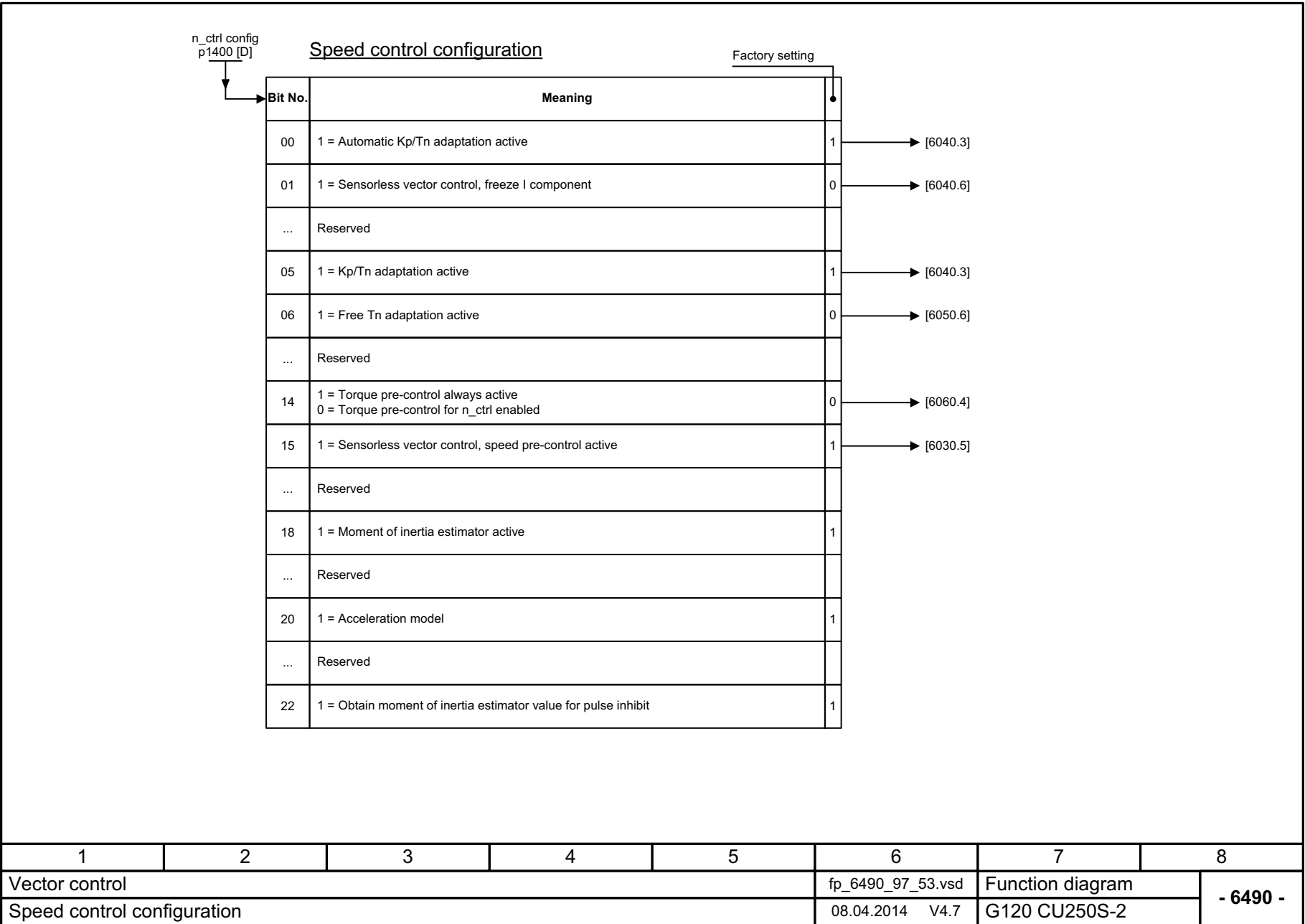


Fig. 3-141 6490 – Speed control configuration

Flux control, configuration		Factory setting	
Bit No.	Meaning		
00	1 = Flux setpoint, soft starting active	0	[6722.5]
01	1 = Flux setpoint, differentiation active	1	[6723.6]
02	1 = Flux build-up control active	1	[6722.5], [6723.6]
03	Reserved		
04	Reserved		
05	Reserved		
06	1 = Quick magnetization	0	[6722.5]
07	1 = Pre-control speed limitation	0	
08	Reserved		
09	Reserved		
10	Reserved		
11	Reserved		
12	Reserved		
13	Reserved		
14	Reserved		
15	Reserved		

1	2	3	4	5	6	7	8
Vector control					fp_6491_97_53.vsd	Function diagram	
Flux control configuration					08.04.2014 V4.7	G120 CU250S-2	

Flux ctrl config
p1401 [D]

Fig. 3-142 6491 – Flux control configuration

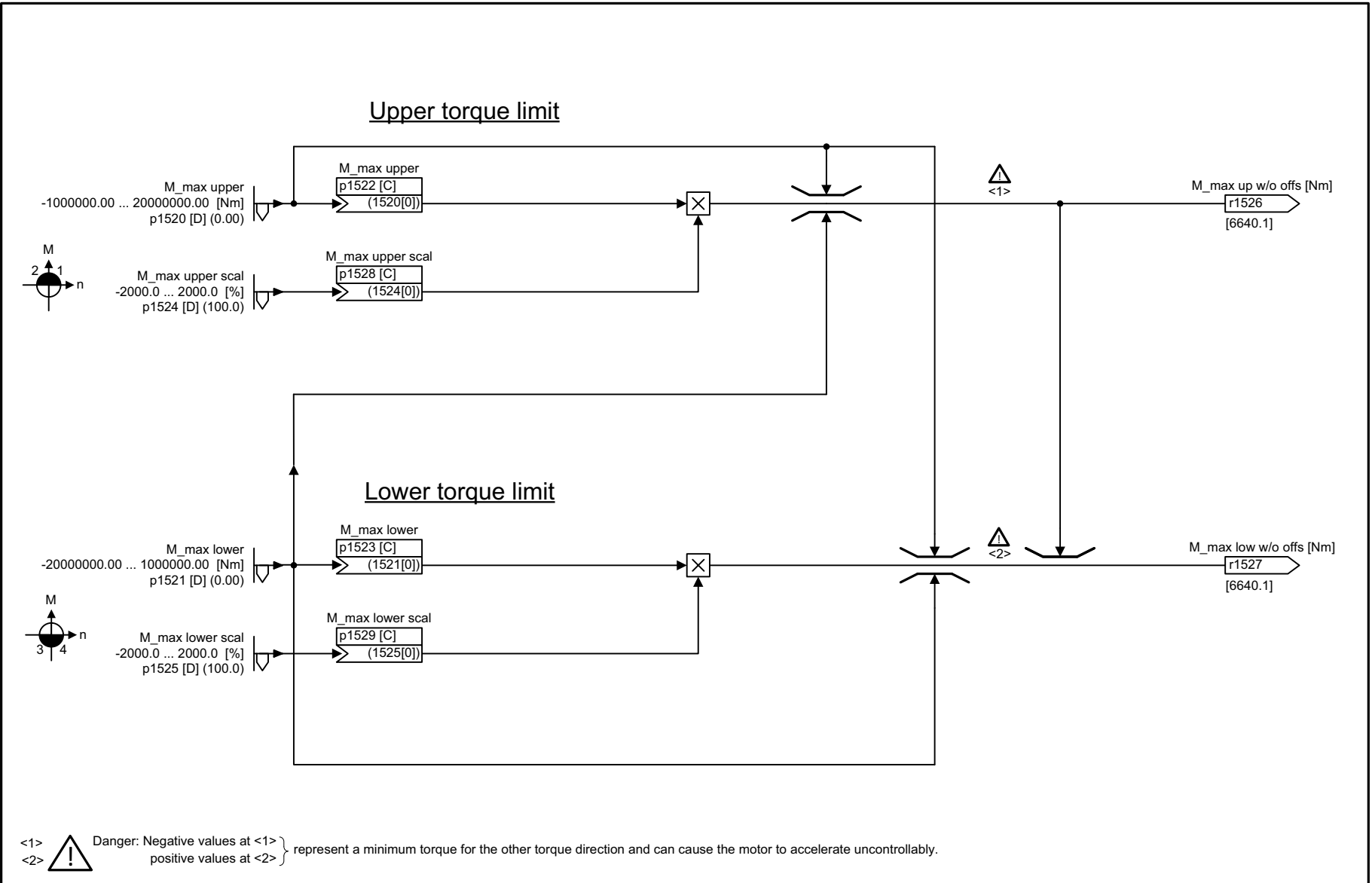
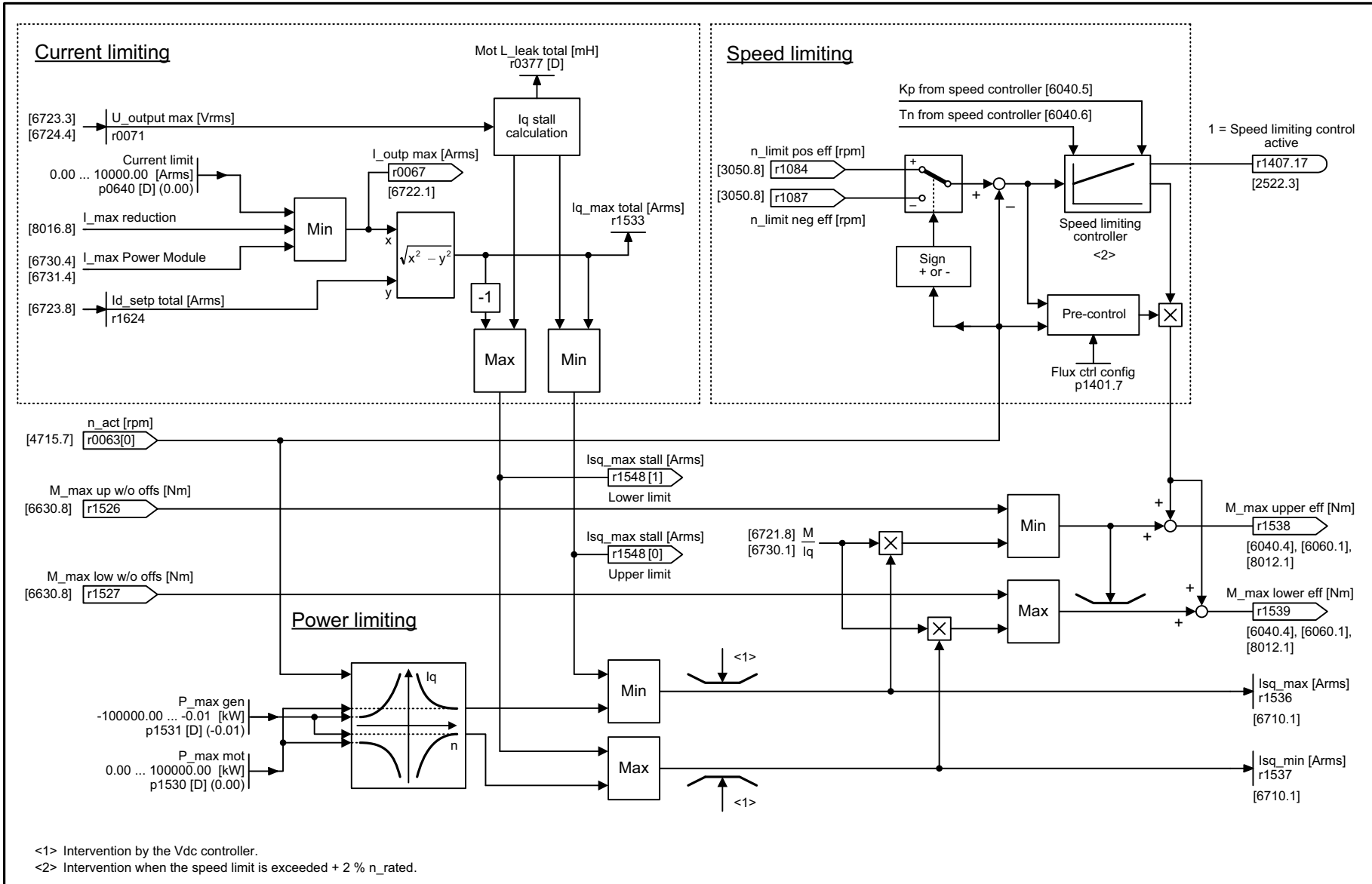


Fig. 3-143 6630 – Upper/lower torque limit

1	2	3	4	5	6	7	8
Vector control					fp_6630_97_53.vsd	Function diagram	
Upper/lower torque limit					08.04.2014 V4.7	G120 CU250S-2	
							- 6630 -

Fig. 3-144 6640 – Current/power/torque limits



1	2	3	4	5	6	7	8
Vector control					fp_6640_97_53.vsd	Function diagram	
Current/power/torque limits					08.04.2014 V4.7	G120 CU250S-2	
- 6640 -							

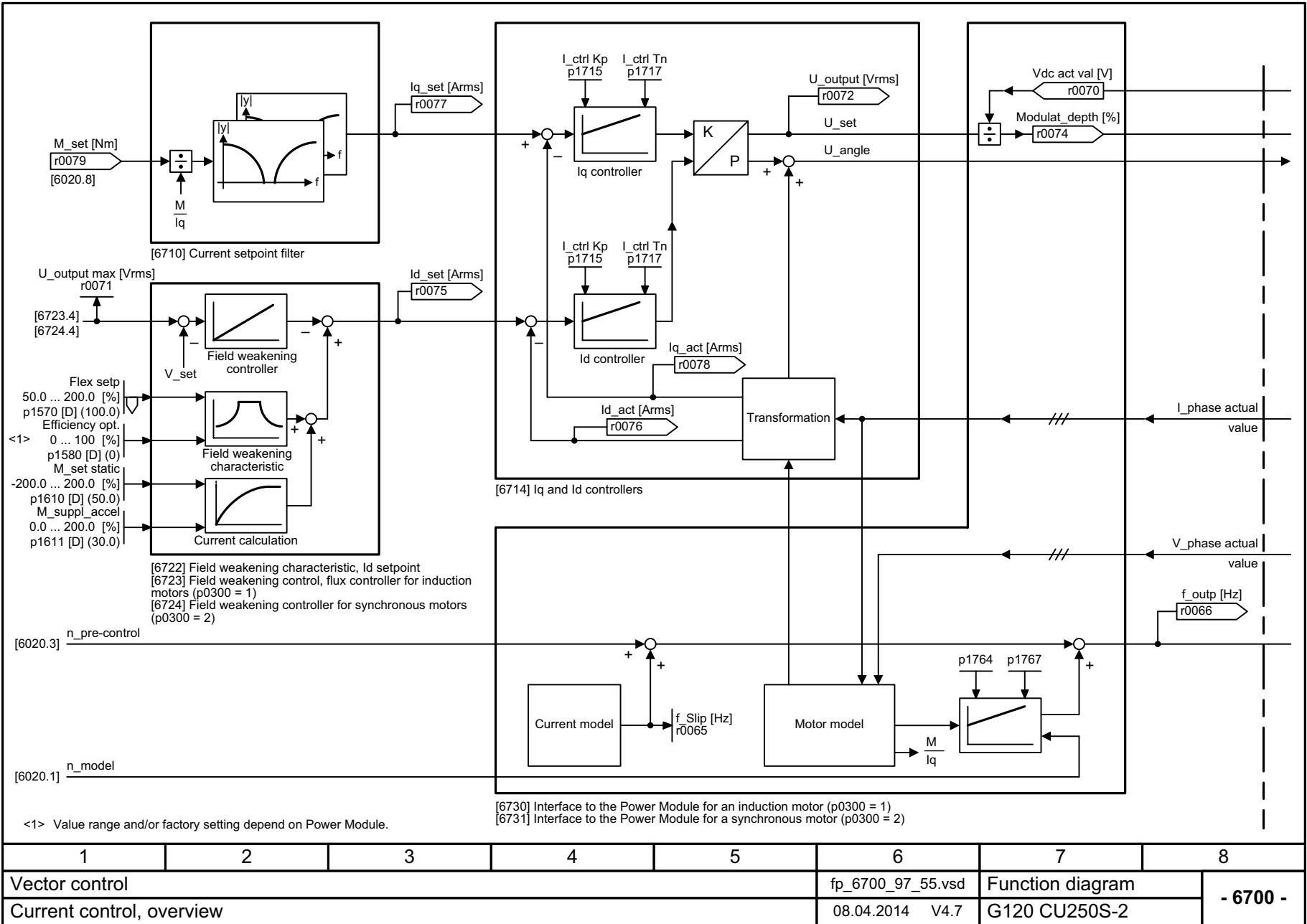
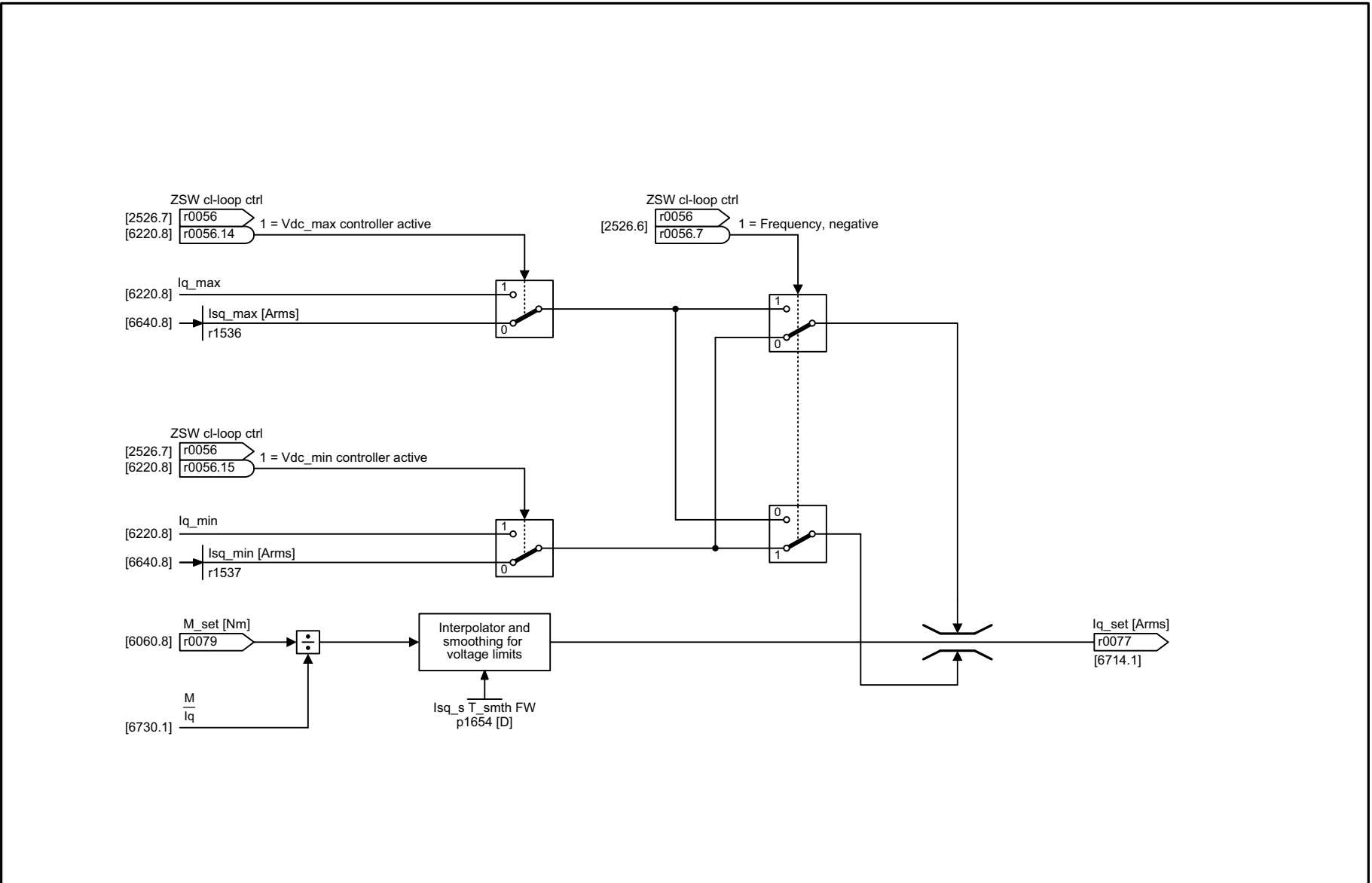


Fig. 3-145 6700 – Current control, overview



1	2	3	4	5	6	7	8
Vector control					fp_6710_97_51.vsd	Function diagram	
Current setpoint filter					08.04.2014 V4.7	G120 CU250S-2	
							- 6710 -

Fig. 3-146 6710 – Current setpoint filter

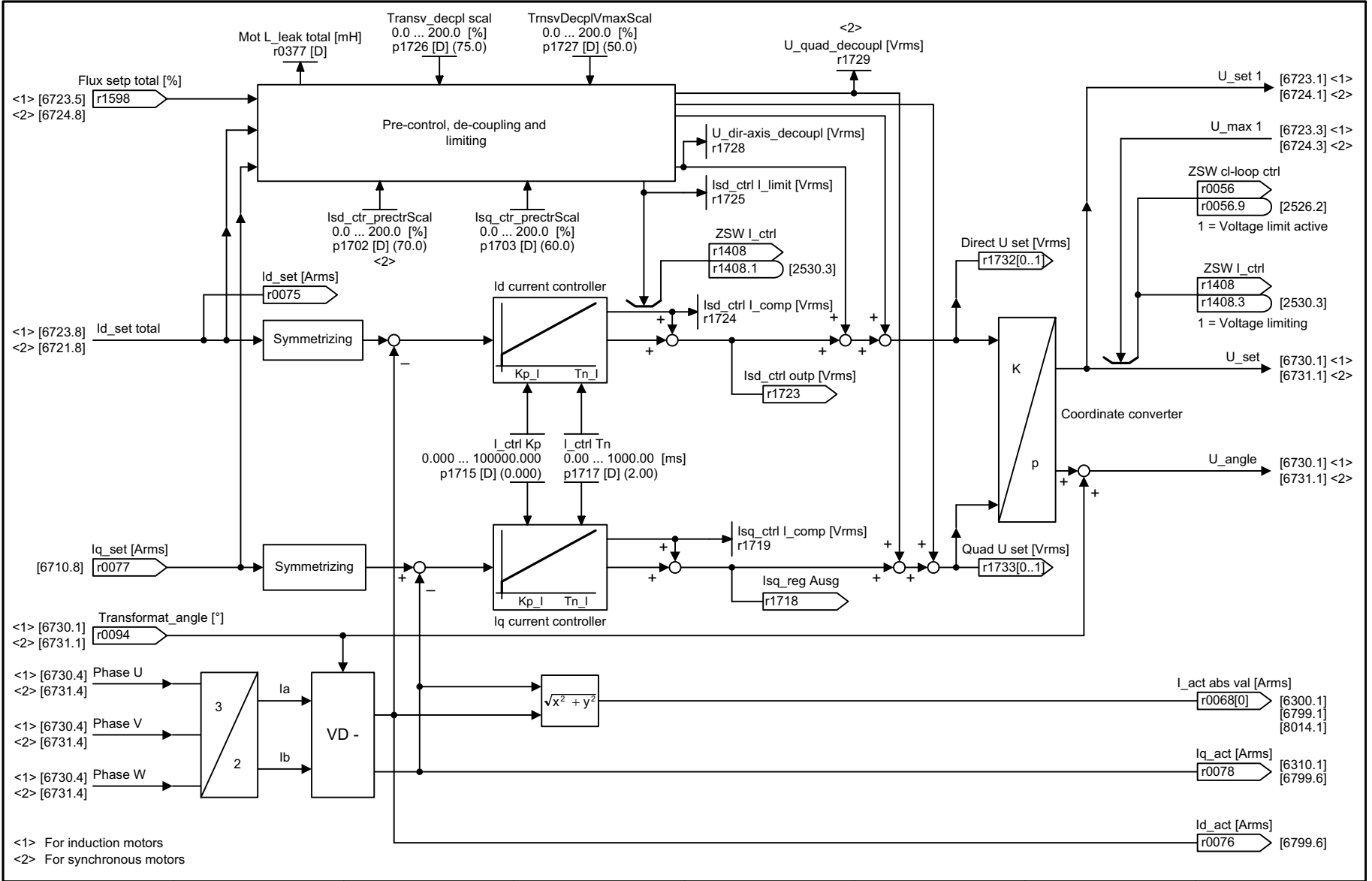
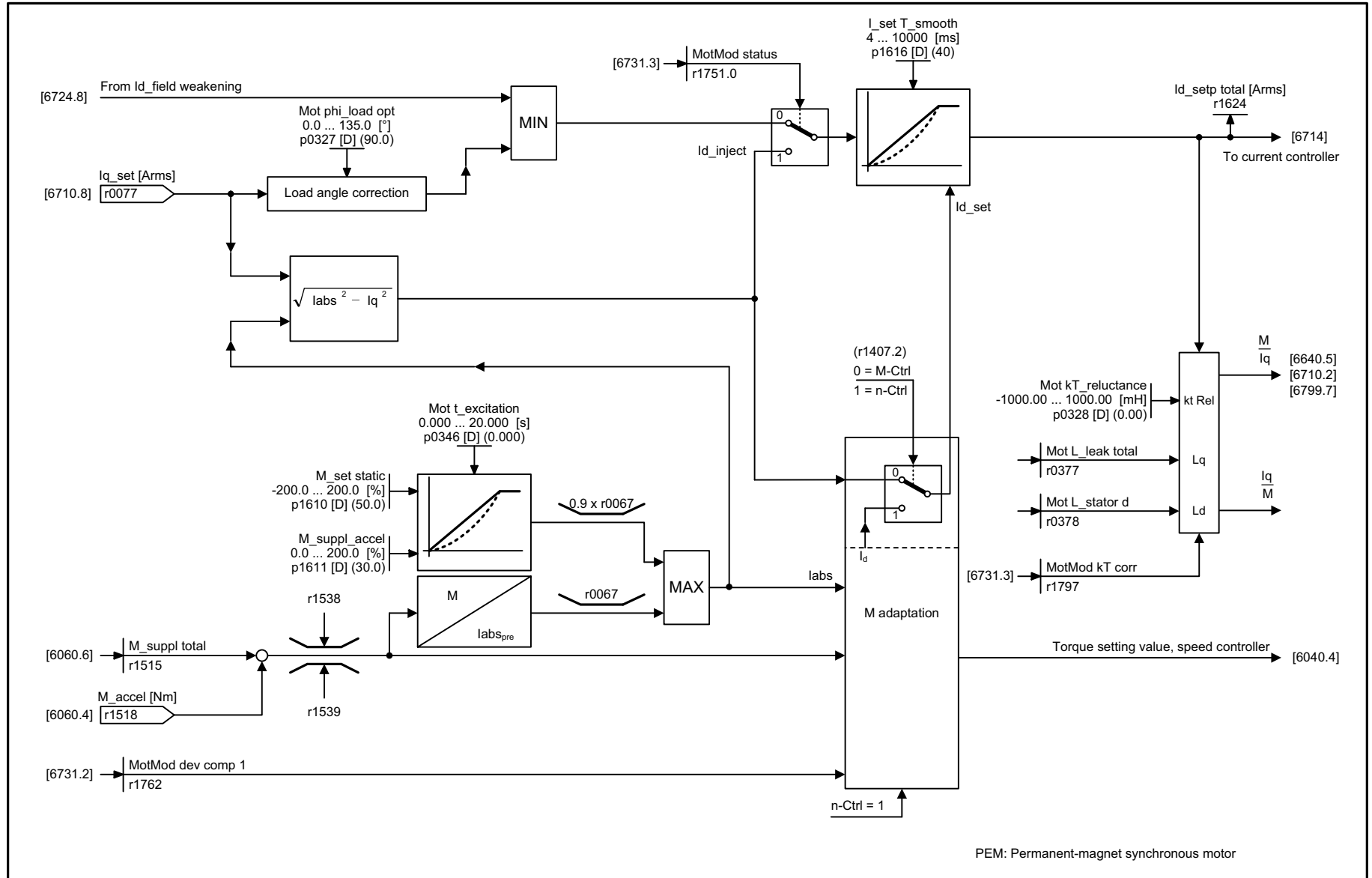


Fig. 3-147 6714 – Iq and Id controllers

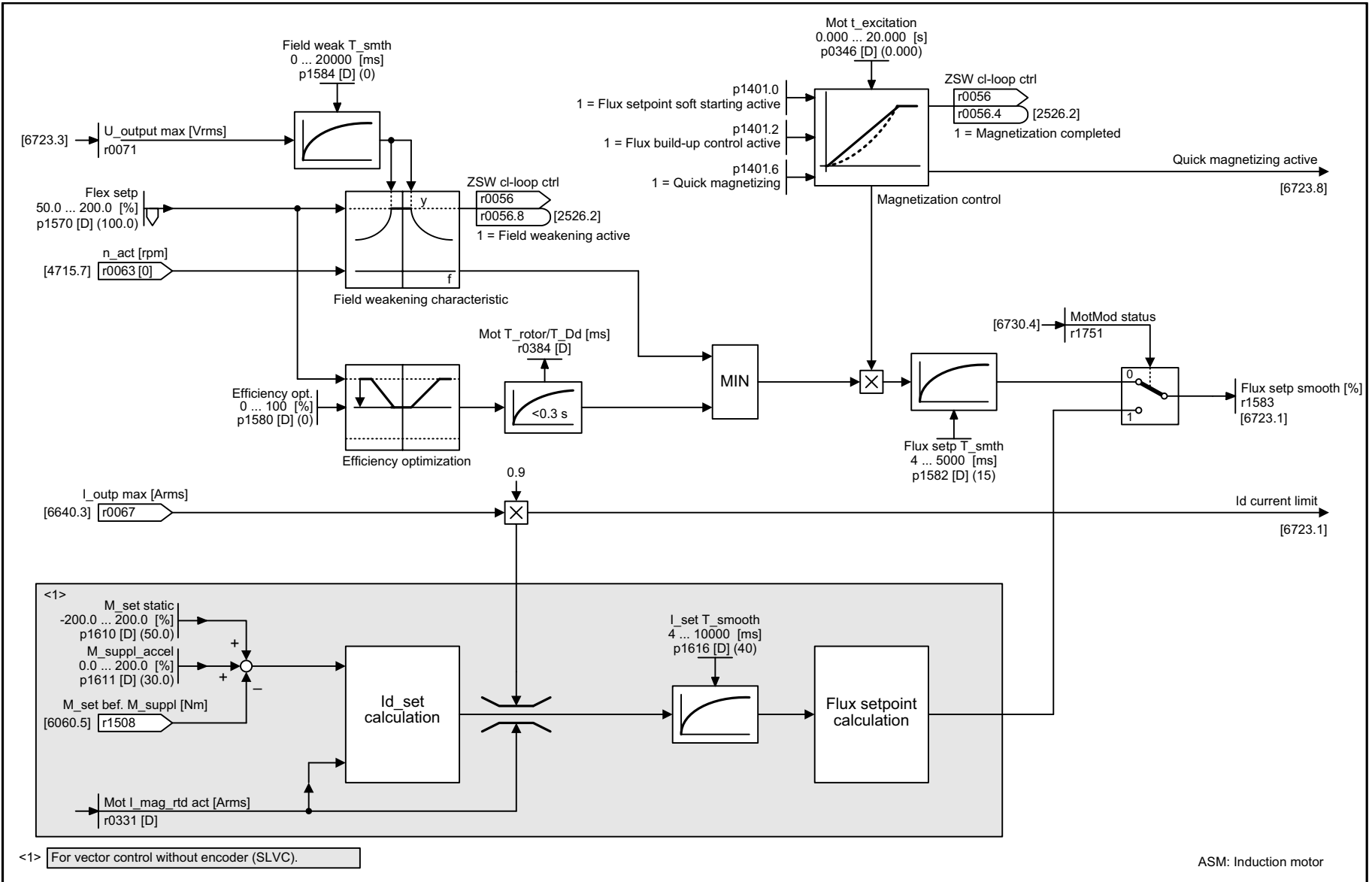
1	2	3	4	5	6	7	8
Vector control					fp_6714_97_53.vsd	Function diagram	
Iq and Id controllers					08.04.2014 V4.7	G120 CU250S-2	
							- 6714 -

Fig. 3-148 6721 – Id setpoint (PEM, p0300 = 2xx)



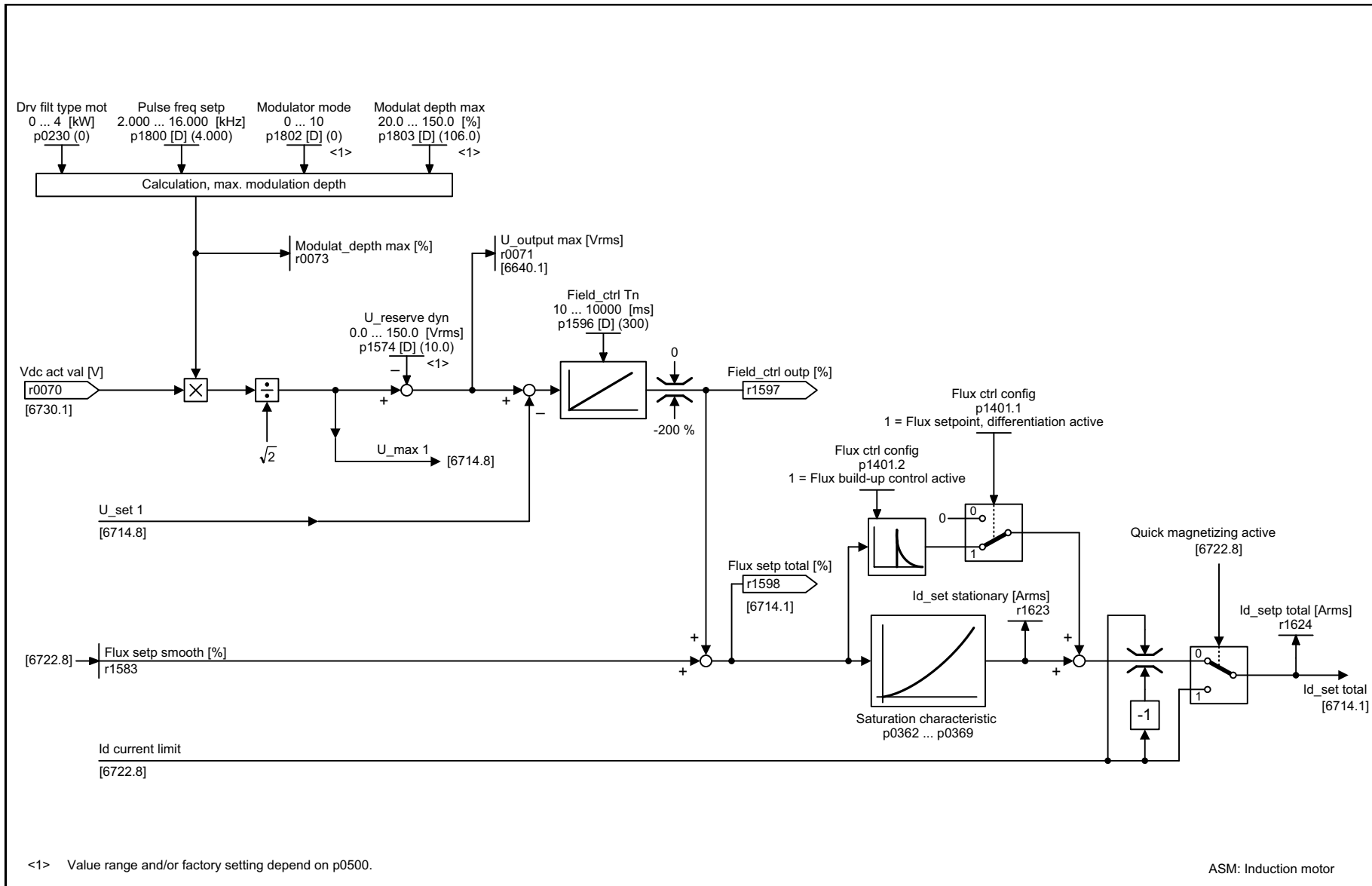
PEM: Permanent-magnet synchronous motor

1	2	3	4	5	6	7	8
Vector control					fp_6721_97_53.vsd	Function diagram	
Id setpoint (PEM, p0300 = 2xx)					08.04.2014 V4.7	G120 CU250S-2	
							- 6721 -



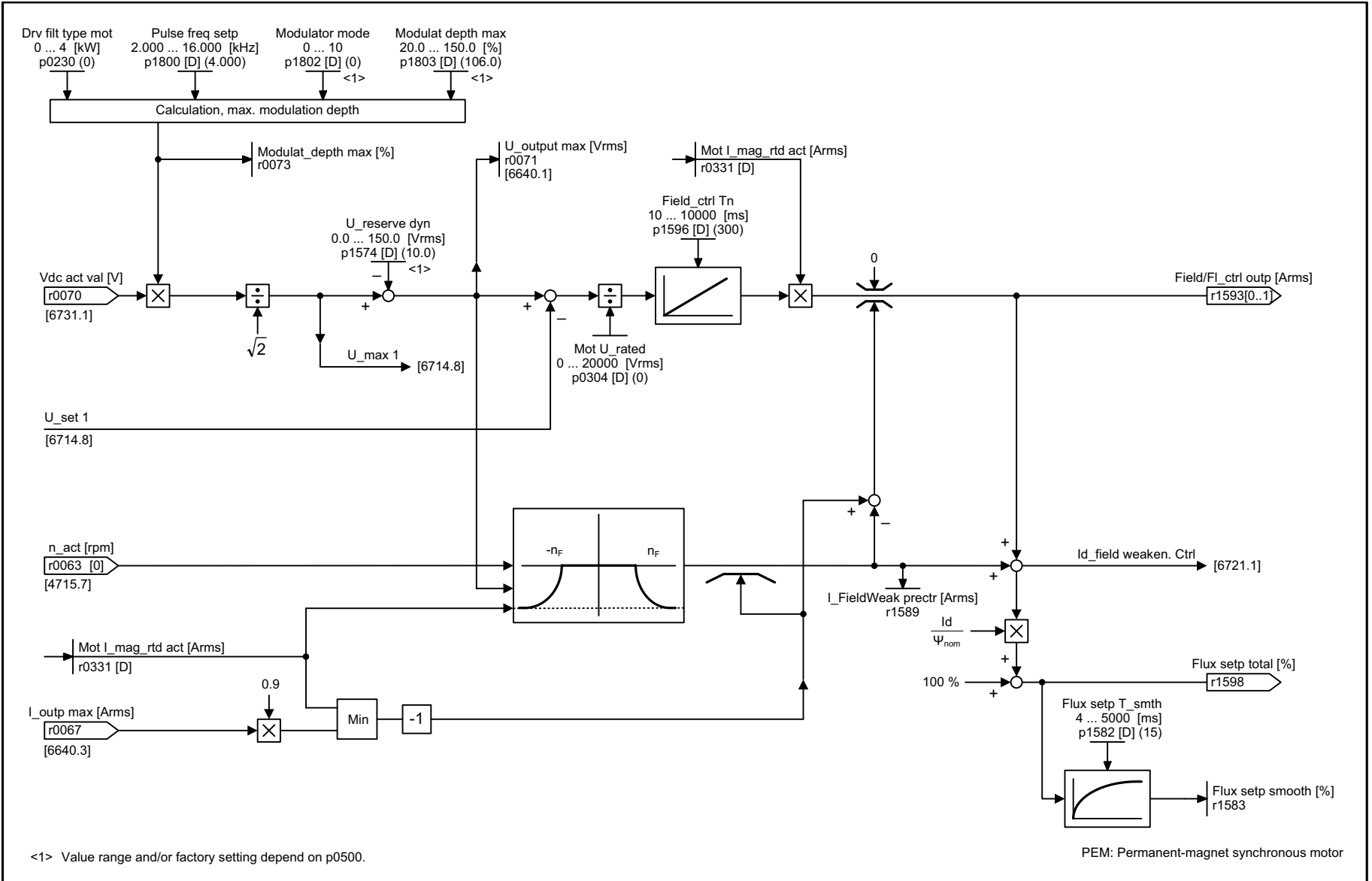
1	2	3	4	5	6	7	8
Vector control					fp_6722_97_55.vsd	Function diagram	
Field weakening characteristic, Id setpoint (ASM, p0300 = 1)					08.04.2014 V4.7	G120 CU250S-2	
							- 6722 -

Fig. 3-149 6722 – Field weakening characteristic, Id setpoint (ASM, p0300 = 1)



1	2	3	4	5	6	7	8
Vector control					fp_6723_97_53.vsd	Function diagram	
Field weakening controller, flux controller (ASM, p0300 = 1)					08.04.2014 V4.7	G120 CU250S-2	
							- 6723 -

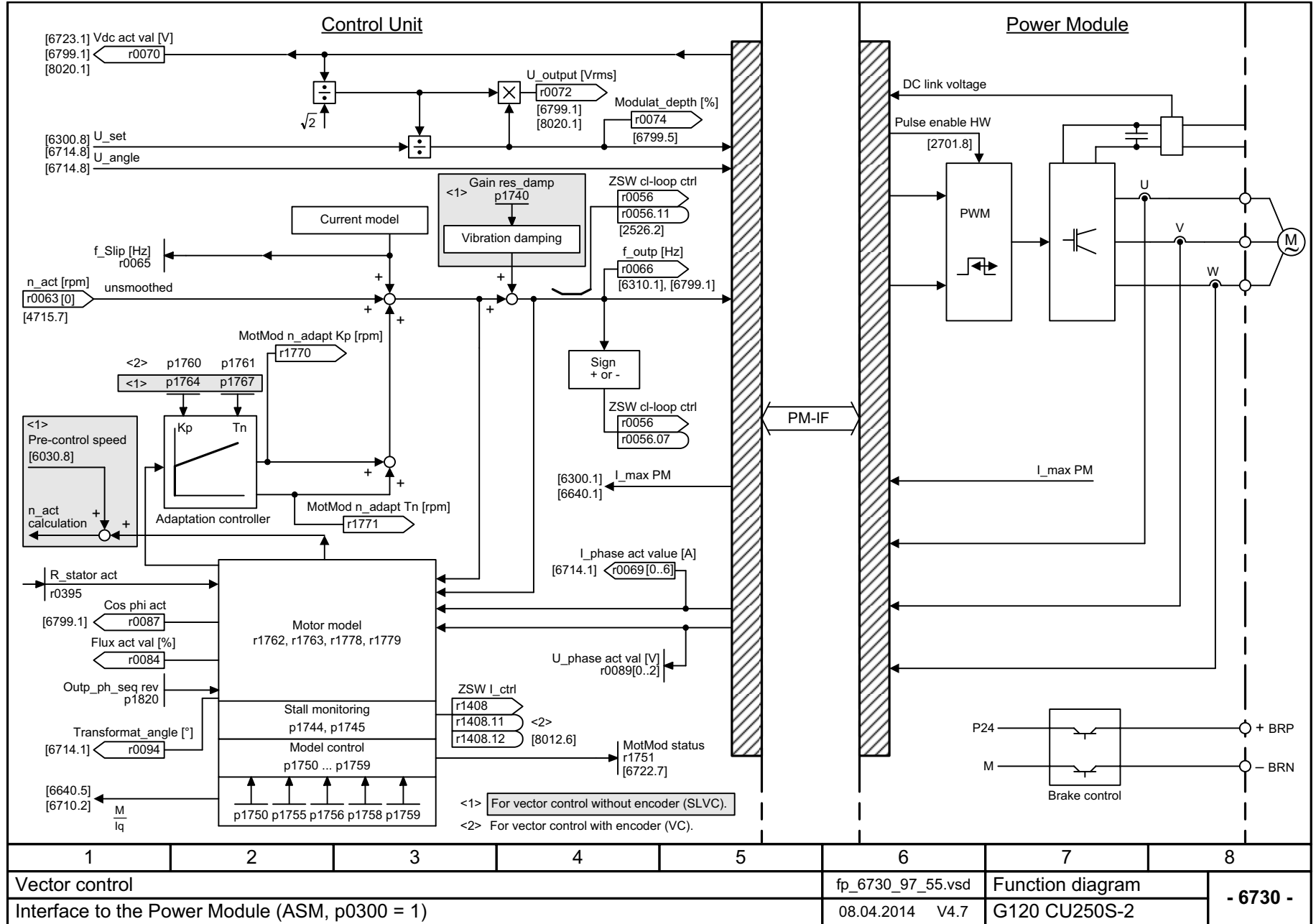
Fig. 3-150 6723 – Field weakening controller, flux controller (ASM, p0300 = 1)



1	2	3	4	5	6	7	8
Vector control					fp_6724_97_53.vsd	Function diagram	
Field weakening controller (PEM, p0300 = 2xx)					08.04.2014 V4.7	G120 CU250S-2	
							- 6724 -

Fig. 3-151 6724 – Field weakening controller (PEM, p0300 = 2xx)

Fig. 3-152 6730 – Interface to the Power Module (ASM, p0300 = 1)



1	2	3	4	5	6	7	8
Vector control					fp_6730_97_55.vsd	Function diagram	
Interface to the Power Module (ASM, p0300 = 1)					08.04.2014 V4.7	G120 CU250S-2	
- 6730 -							

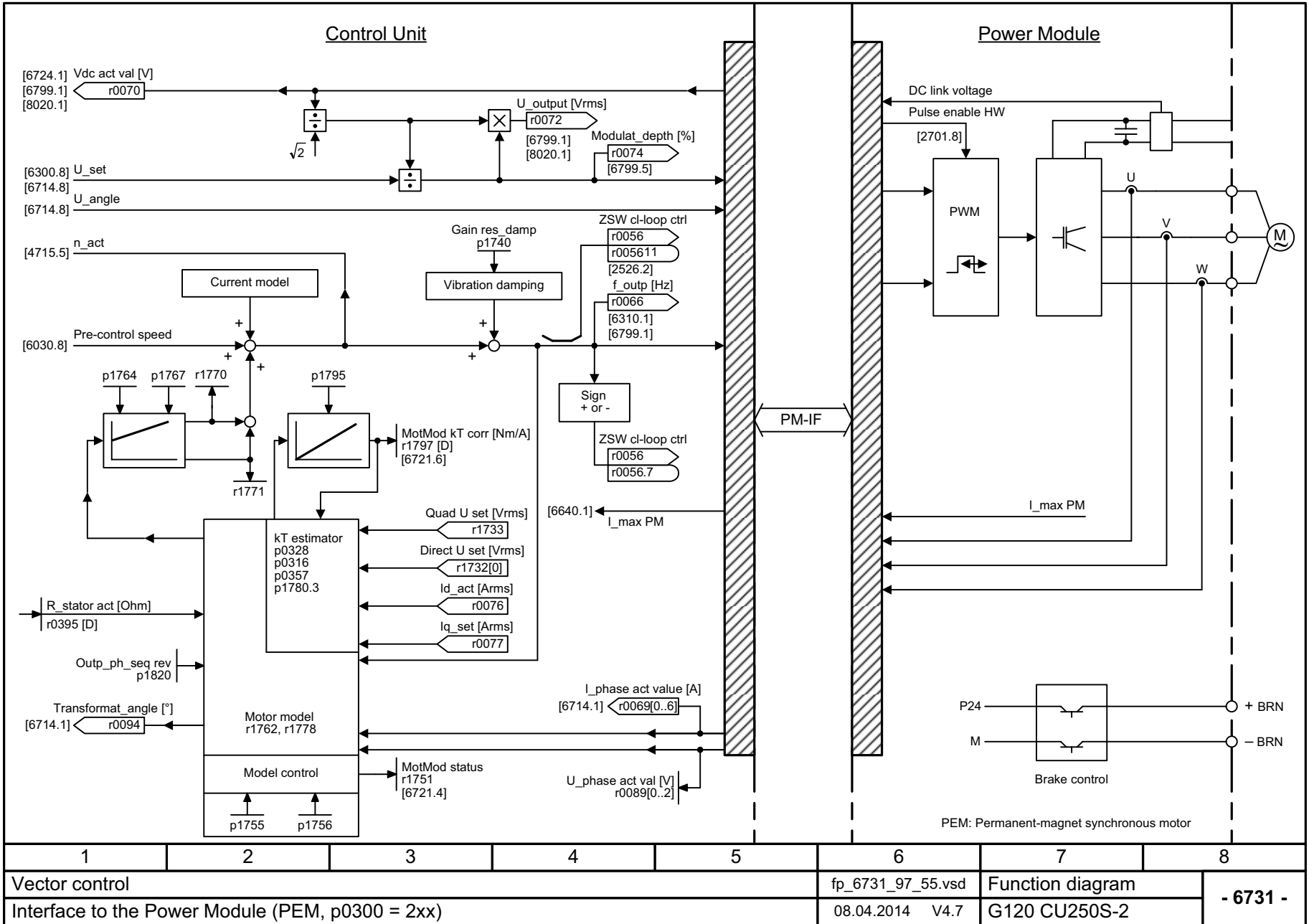
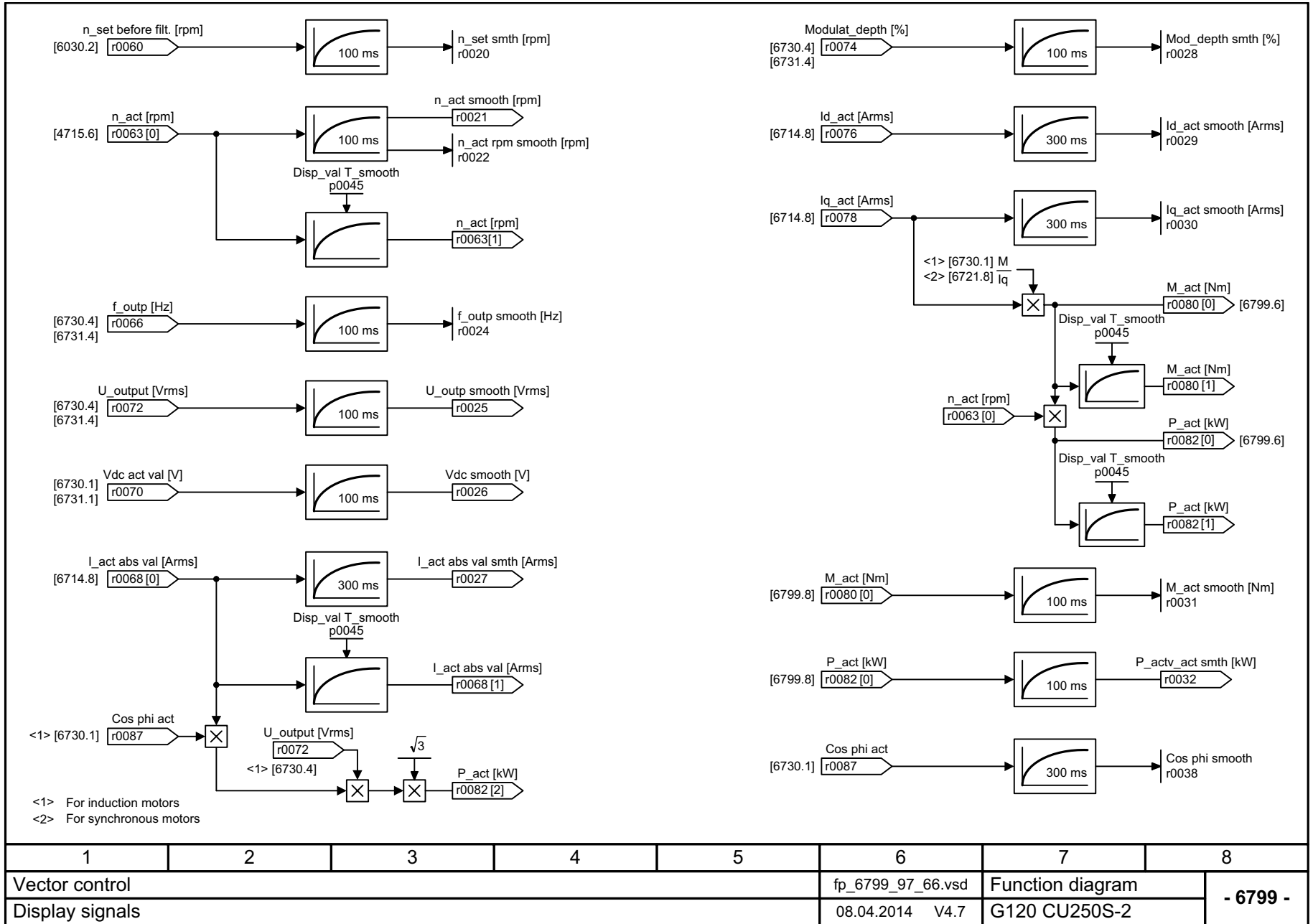


Fig. 3-153 6731 – Interface to the Power Module (PEM, p0300 = 2xx)

Fig. 3-154 6799 – Display signals



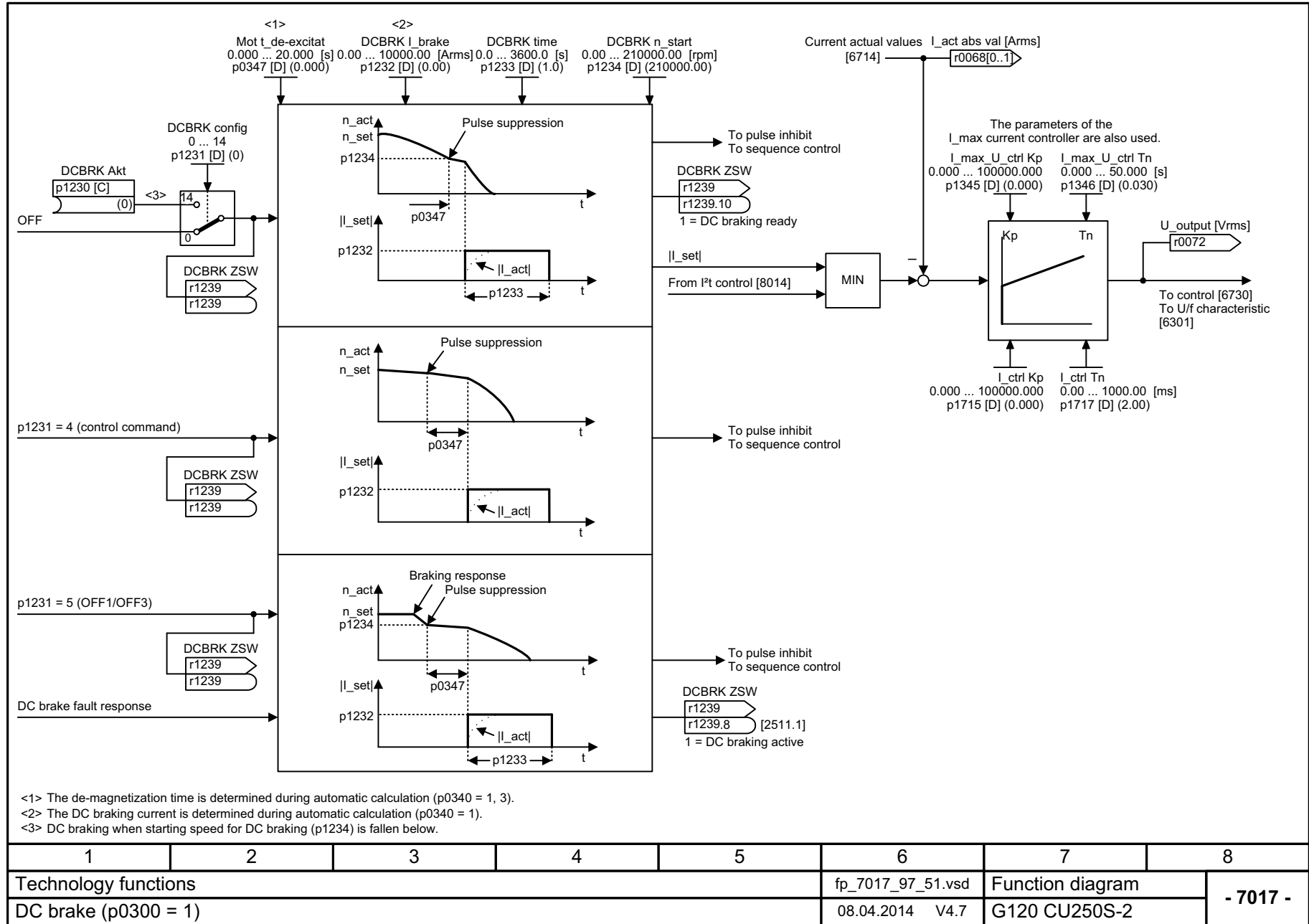
3.19 Technology functions

Function diagrams

7017 – DC brake (p0300 = 1)

861

Fig. 3-155 7017 – DC brake (p0300 = 1)



1	2	3	4	5	6	7	8
Technology functions					fp_7017_97_51.vsd	Function diagram	
DC brake (p0300 = 1)					08.04.2014 V4.7	G120 CU250S-2	
							- 7017 -

3.20 Free function blocks

Function diagrams

7200 – Sampling times of the runtime groups	863
7210 – AND (AND function blocks with 4 inputs)	864
7212 – OR (OR function blocks with 4 inputs)	865
7214 – XOR (XOR function blocks with 4 inputs)	866
7216 – NOT (inverter)	867
7220 – ADD (adder with 4 inputs), SUB (subtractor)	868
7222 – MUL (multiplier), DIV (divider)	869
7224 – AVA (absolute value generator)	870
7225 – NCM (numeric comparator)	871
7226 – PLI (polyline scaling)	872
7230 – MFP (pulse generator), PCL (pulse contractor)	873
7232 – PDE (ON delay)	874
7233 – PDF (OFF delay)	875
7234 – PST (pulse stretcher)	876
7240 – RSR (RS flip-flop), DFR (D flip-flop)	877
7250 – BSW (binary change-over switch), NSW (numeric change-over switch)	878
7260 – LIM (limiter)	879
7262 – PT1 (smoothing element)	880
7264 – INT (integrator), DIF (derivative-action element)	881
7270 – LVM (double-sided limit monitor with hysteresis)	882

	Run-time group						RTG sampling time [ms] r20001[0..9]
	1	2	3	4	5	6	
	r20001[1] = 8 ms	r20001[2] = 16 ms	r20001[3] = 32 ms	r20001[4] = 64 ms	r20001[5] = 128 ms	r20001[6] = 256 ms	
Logic function blocks AND, OR, XOR, NOT	X	X	X	X	X	X	
Arithmetic function blocks ADD, SUB, MUL, DIV, AVA, NCM, PLI	-	-	-	-	X	X	
Time function blocks MFP, PCL, PDE, PDF, PST	-	-	-	-	X	X	
Memory function blocks RSR, DSR	X	X	X	X	X	X	
Switch function block NSW	-	-	-	-	X	X	
Switch function block BSW	X	X	X	X	X	X	
Control function blocks LIM, PT1, INT, DIF	-	-	-	-	X	X	
Complex function blocks LVM	-	-	-	-	X	X	

1	2	3	4	5	6	7	8
Free function blocks					fp_7200_97_51.vsd	Function diagram	
Sampling times of the runtime groups					08.04.2014 V4.7	G120 CU250S-2	
							- 7200 -

Fig. 3-156 7200 – Sampling times of the runtime groups

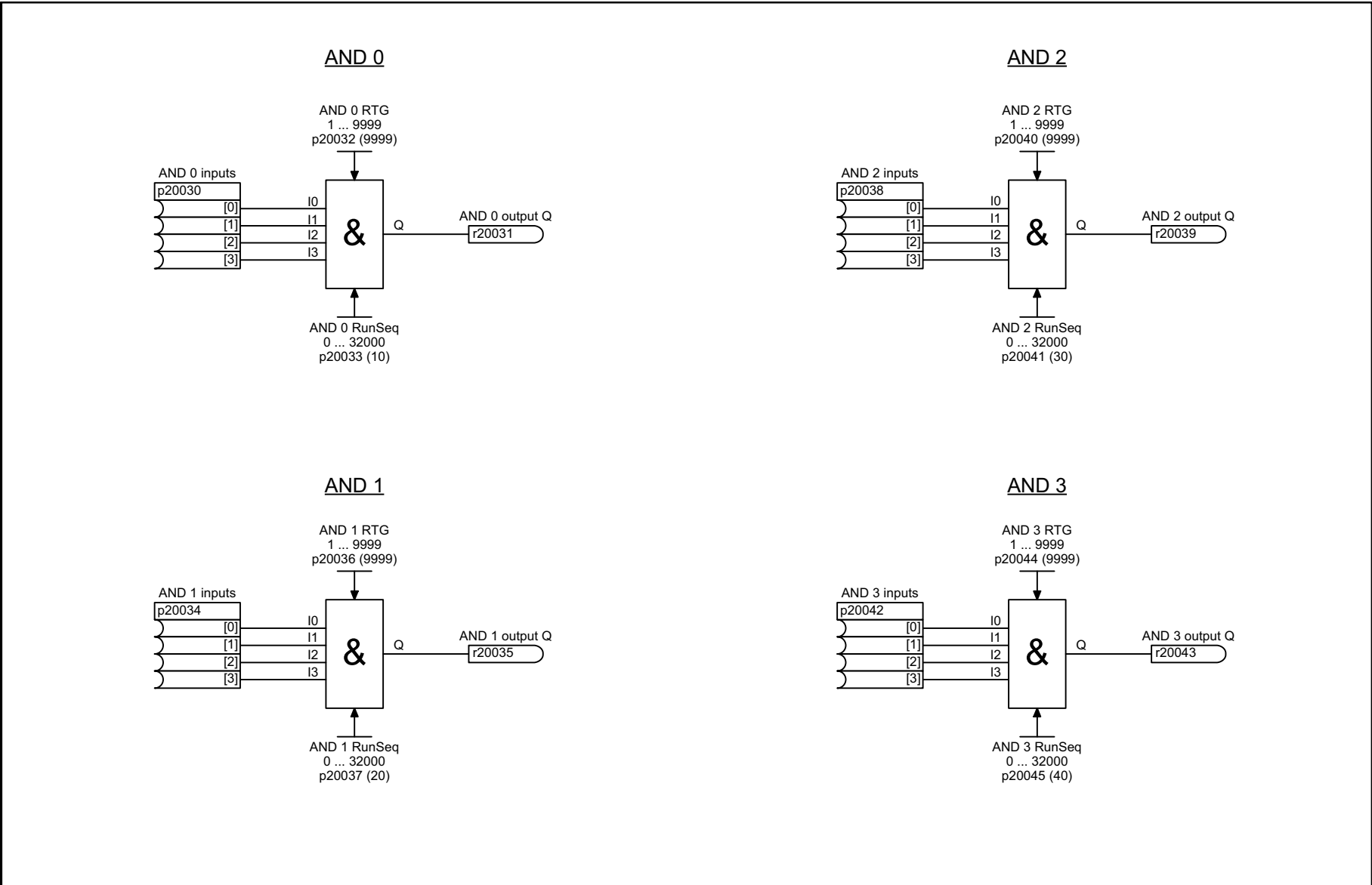
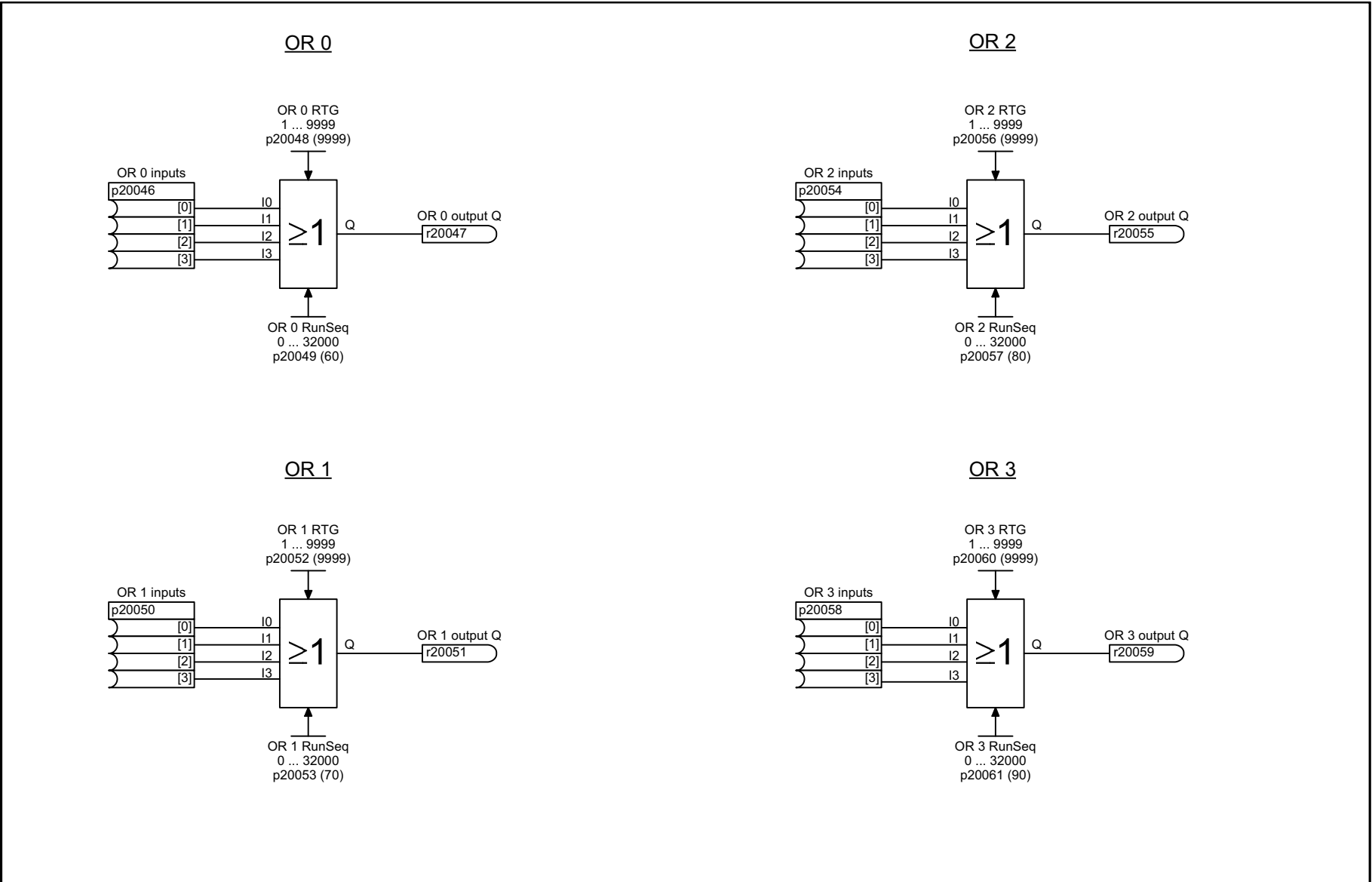


Fig. 3-157 7210 – AND (AND function blocks with 4 inputs)

1	2	3	4	5	6	7	8
Free function blocks - Logic function blocks					fp_7210_97_51.vsd	Function diagram	
AND (AND function blocks with 4 inputs)					08.04.2014 V4.7	G120 CU250S-2	
- 7210 -							



1	2	3	4	5	6	7	8
Free function blocks - Logic function blocks					fp_7212_97_51.vsd	Function diagram	
OR (OR function blocks with 4 inputs)					08.04.2014 V4.7	G120 CU250S-2	
- 7212 -							

Fig. 3-158 7212 – OR (OR function blocks with 4 inputs)

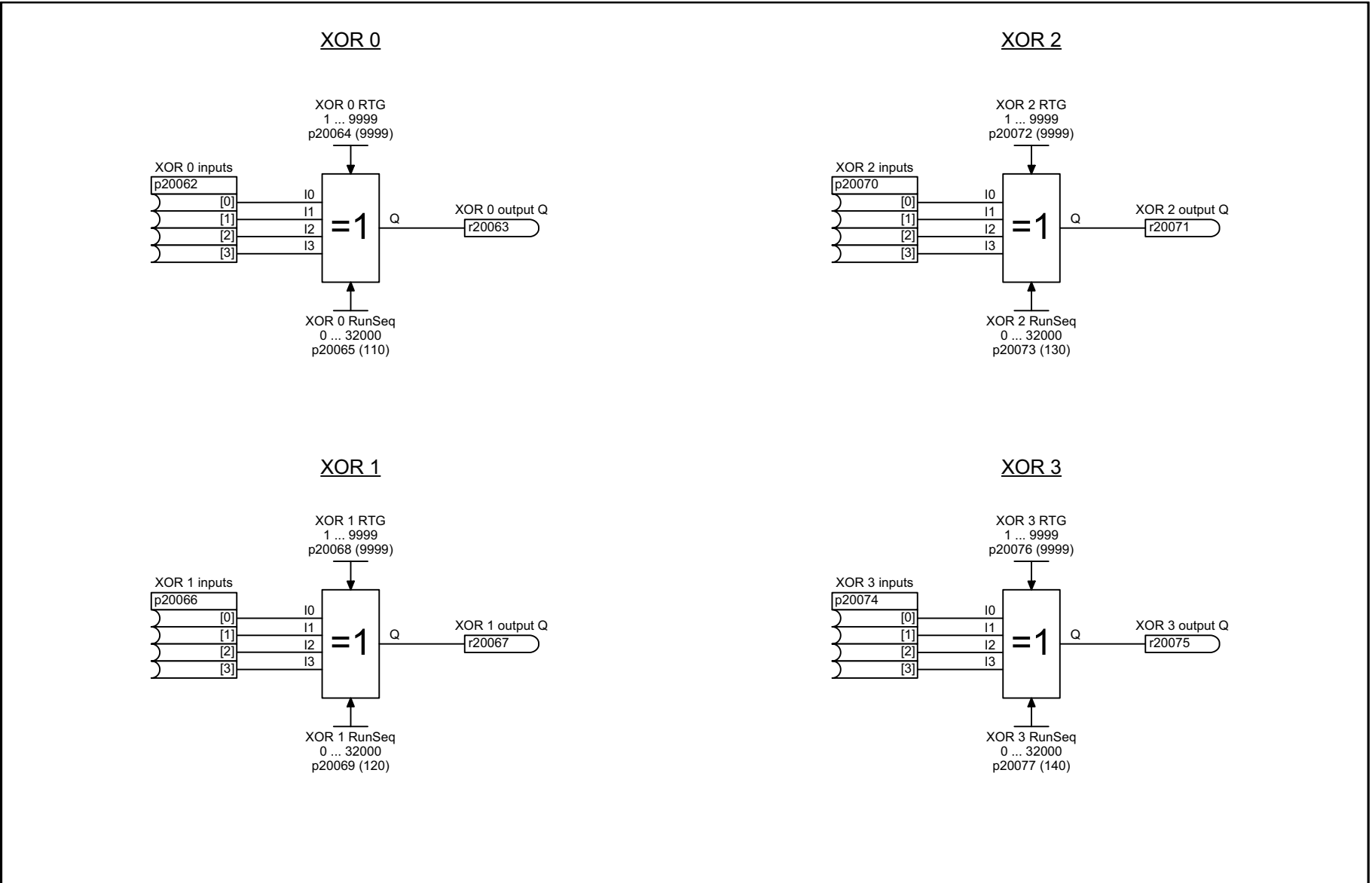
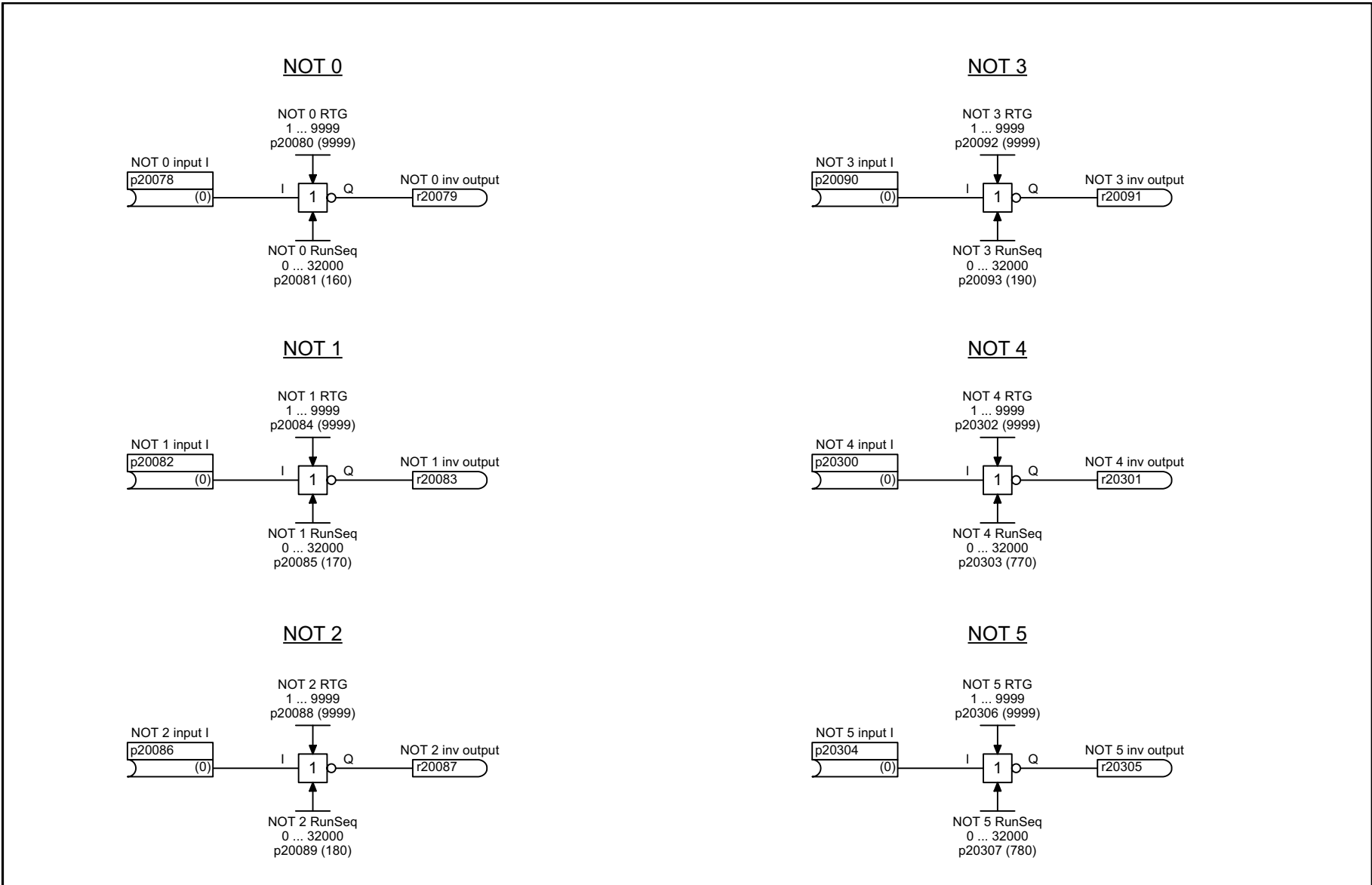


Fig. 3-159 7214 – XOR (XOR function blocks with 4 inputs)

1	2	3	4	5	6	7	8
Free function blocks - Logic function blocks					fp_7214_97_51.vsd	Function diagram	
XOR (XOR function blocks with 4 inputs)					08.04.2014 V4.7	G120 CU250S-2	
- 7214 -							

Fig. 3-160 7216 – NOT (inverter)



1	2	3	4	5	6	7	8
Free function blocks - Logic function blocks					fp_7216_97_51.vsd	Function diagram	
NOT (inverter)					08.04.2014 V4.7	G120 CU250S-2	
							- 7216 -

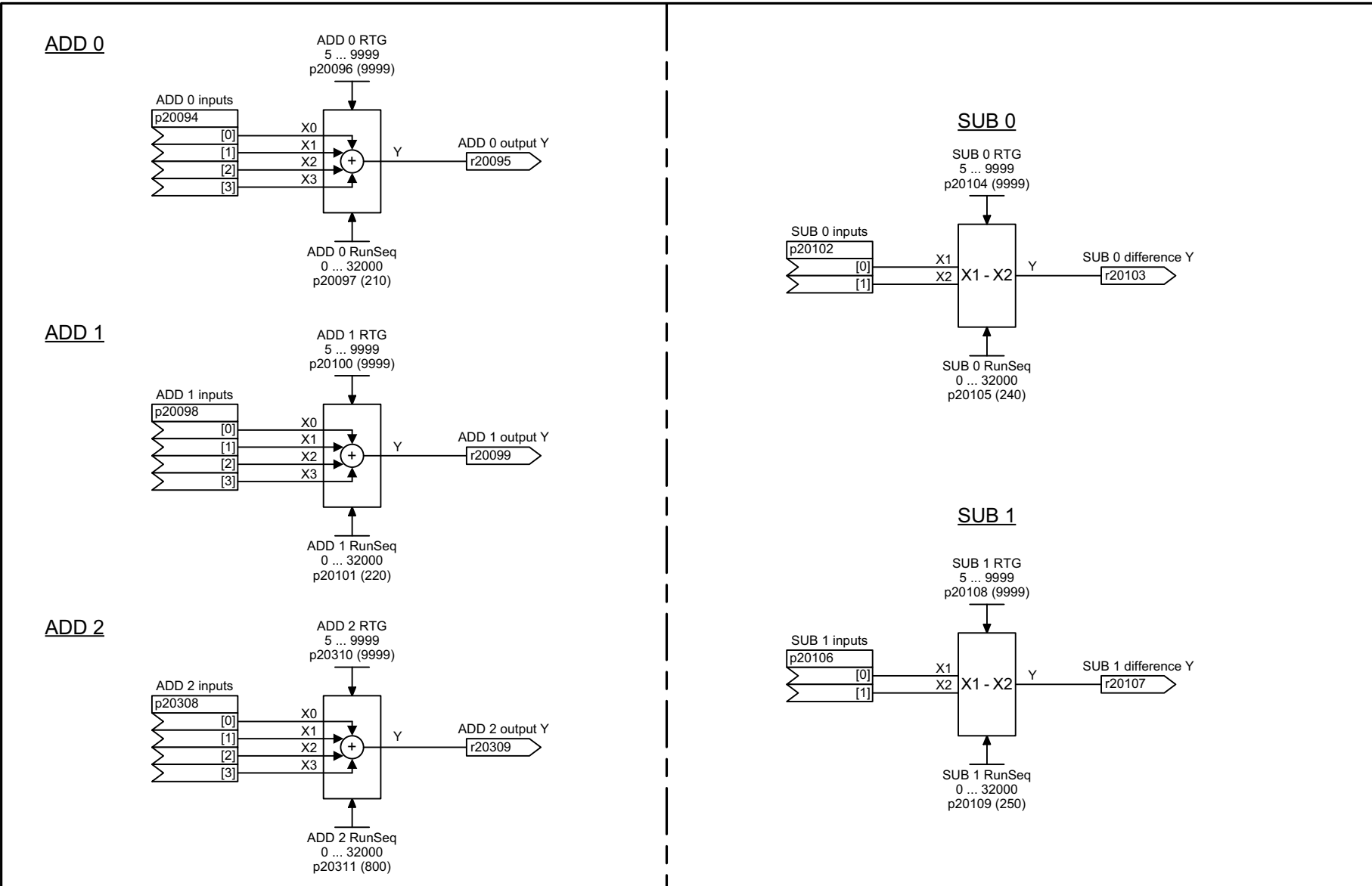
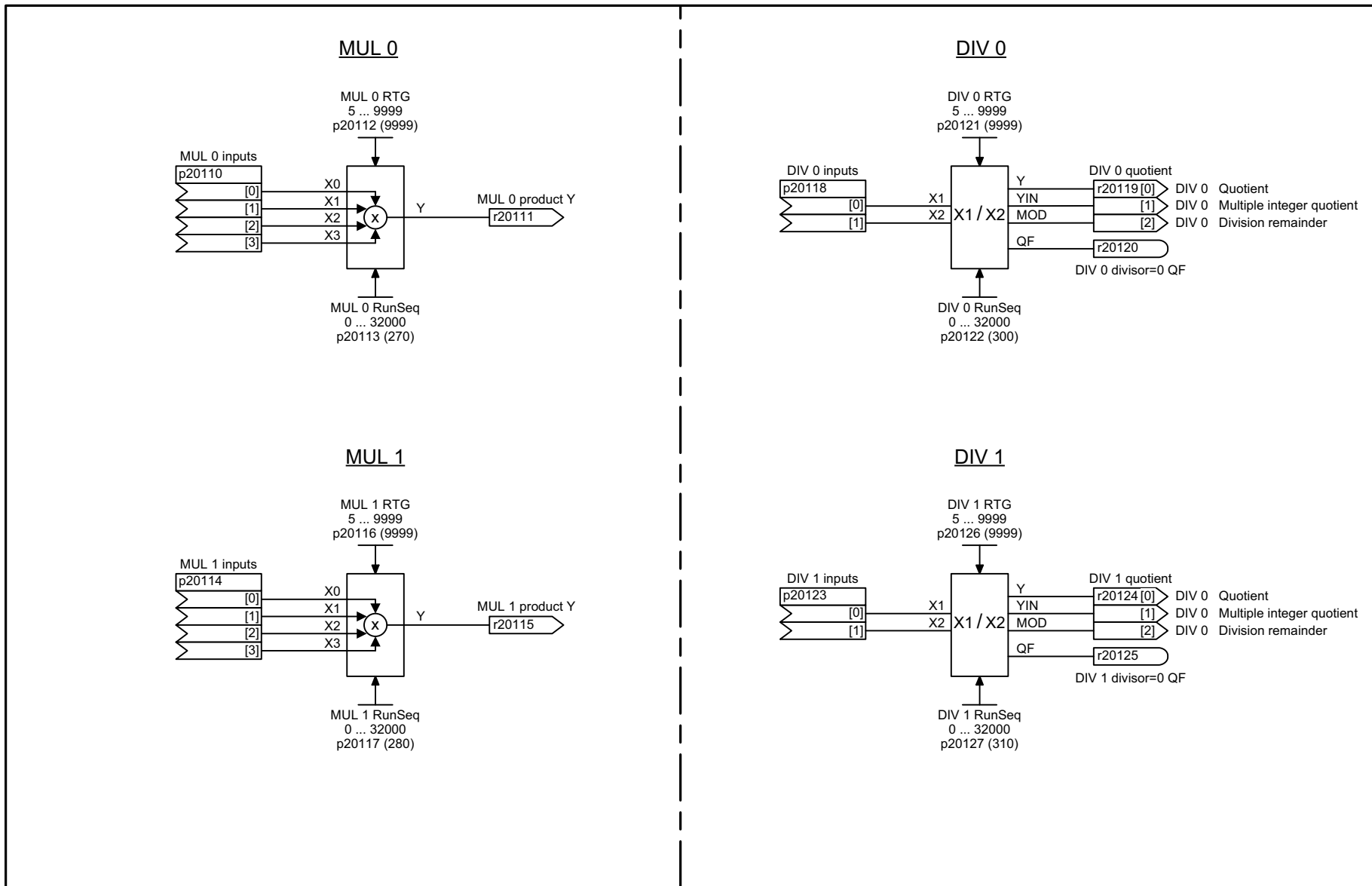


Fig. 3-161 7220 – ADD (adder with 4 inputs), SUB (subtractor)

1	2	3	4	5	6	7	8
Free function blocks - Arithmetic function blocks					fp_7220_97_51.vsd	Function diagram	
ADD (adder with 4 inputs), SUB (subtractor)					08.04.2014 V4.7	G120 CU250S-2	



1	2	3	4	5	6	7	8
Free function blocks - Arithmetic function blocks					fp_7222_97_51.vsd	Function diagram	
MUL (multiplier), DIV (divider)					08.04.2014 V4.7	G120 CU250S-2	

- 7222 -

Fig. 3-162 7222 – MUL (multiplier), DIV (divider)

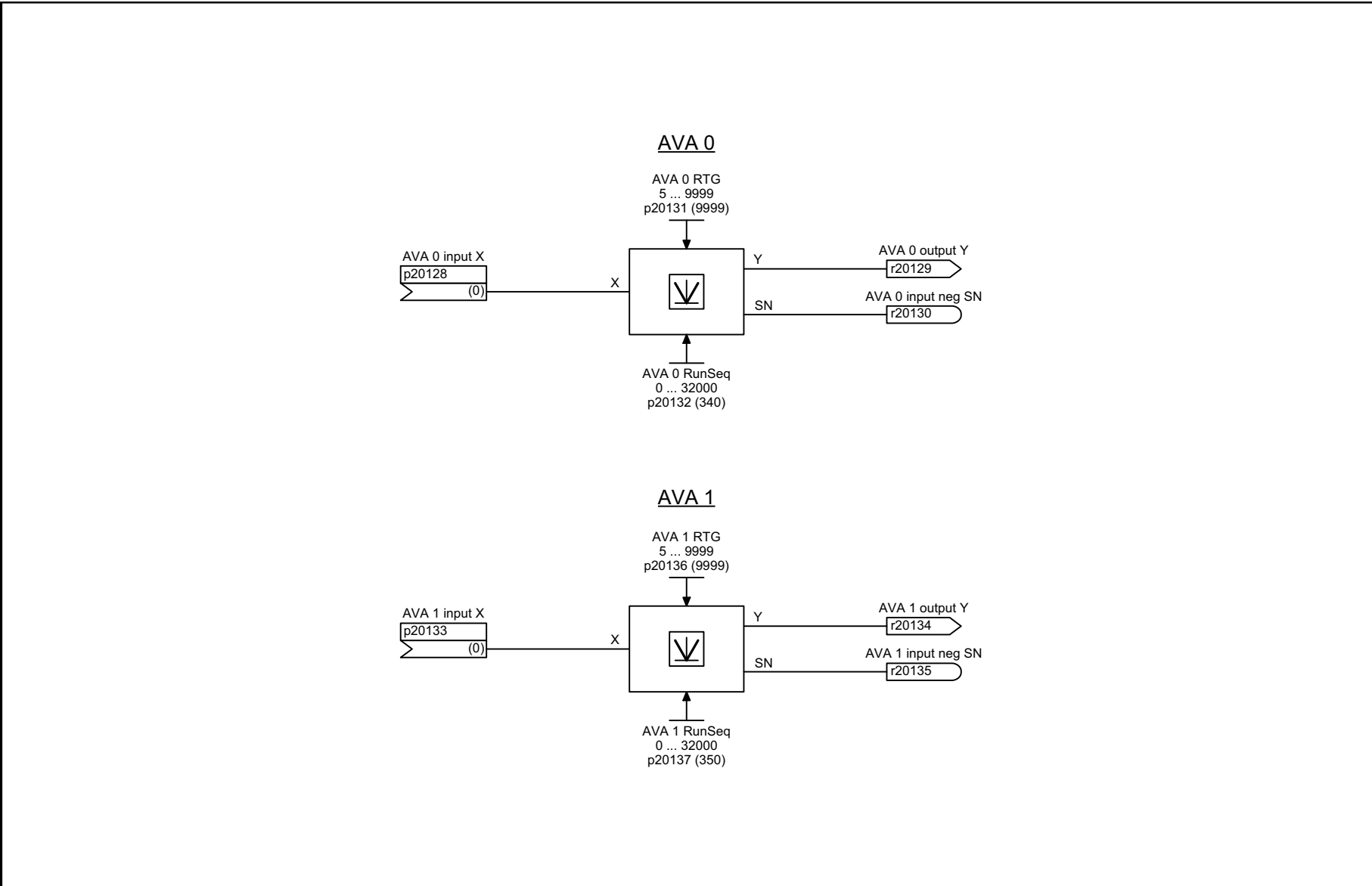
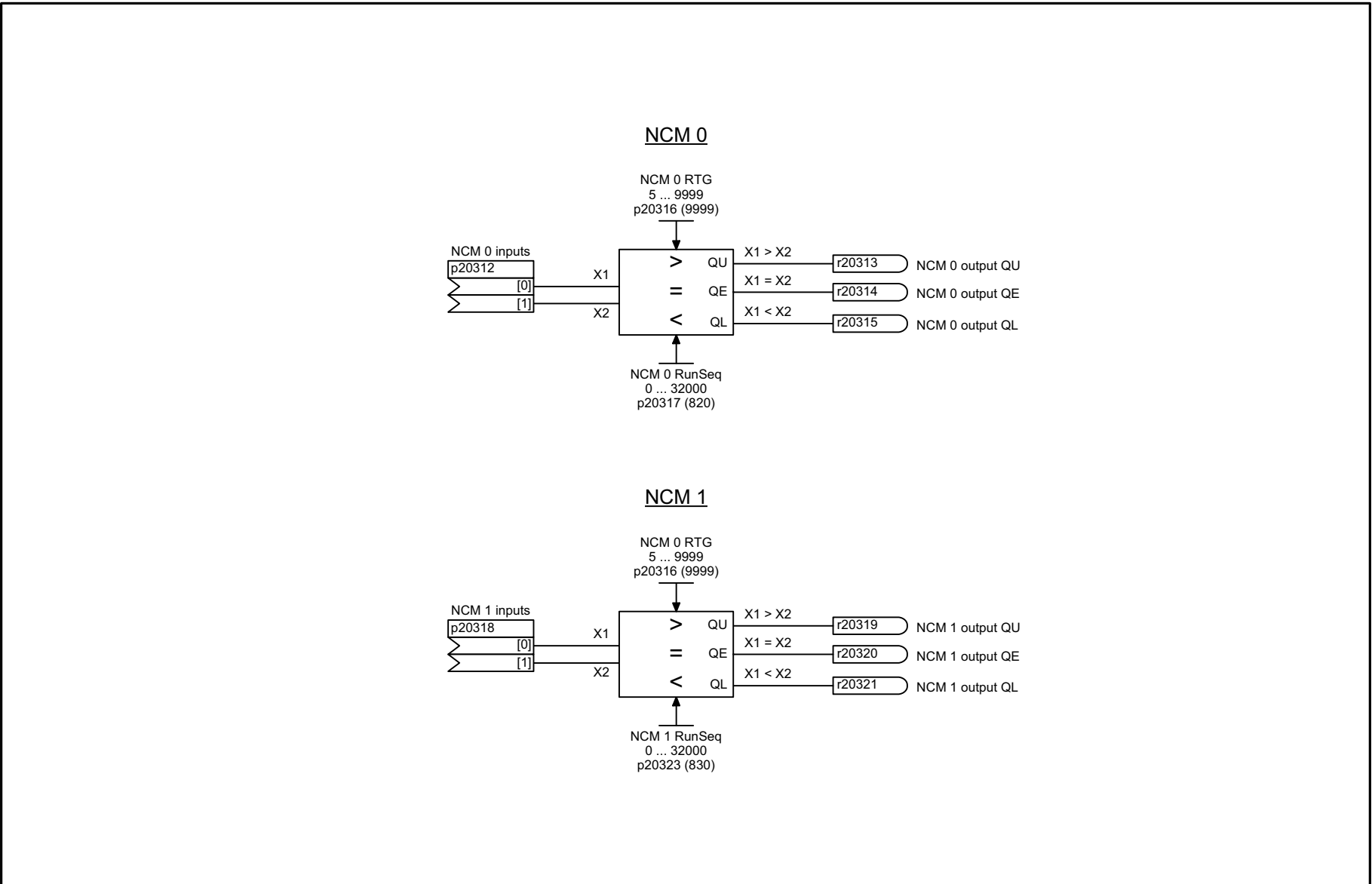


Fig. 3-163 7224 – AVA (absolute value generator)

1	2	3	4	5	6	7	8
Free function blocks - Arithmetic function blocks					fp_7224_97_51.vsd	Function diagram	
AVA (absolute value generator)					08.04.2014 V4.7	G120 CU250S-2	
- 7224 -							



1	2	3	4	5	6	7	8
Free function blocks - Arithmetic function blocks					fp_7225_97_51.vsd	Function diagram	
NCM (numeric comparator)					08.04.2014 V4.7	G120 CU250S-2	
							- 7225 -

Fig. 3-164 7225 – NCM (numeric comparator)

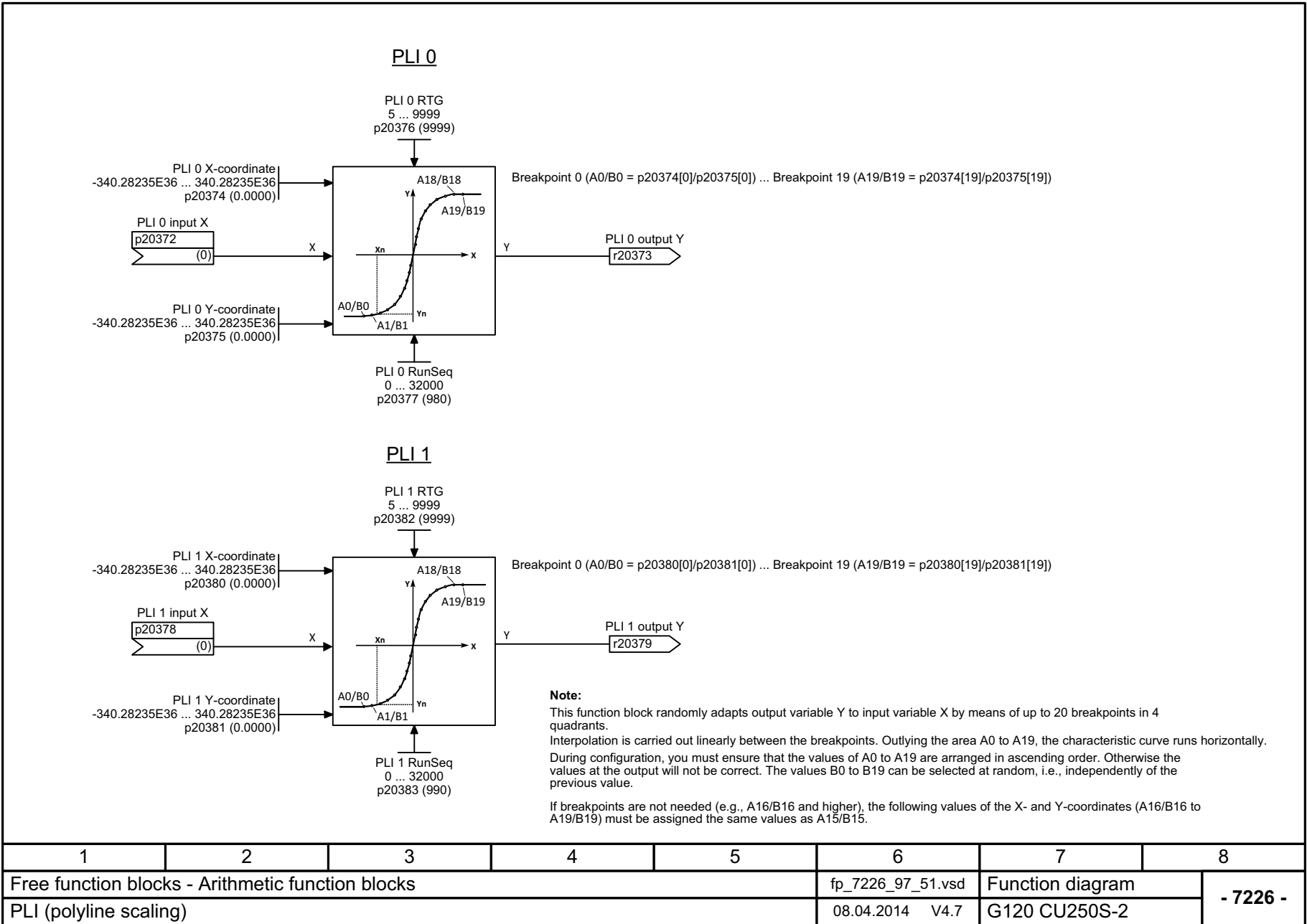
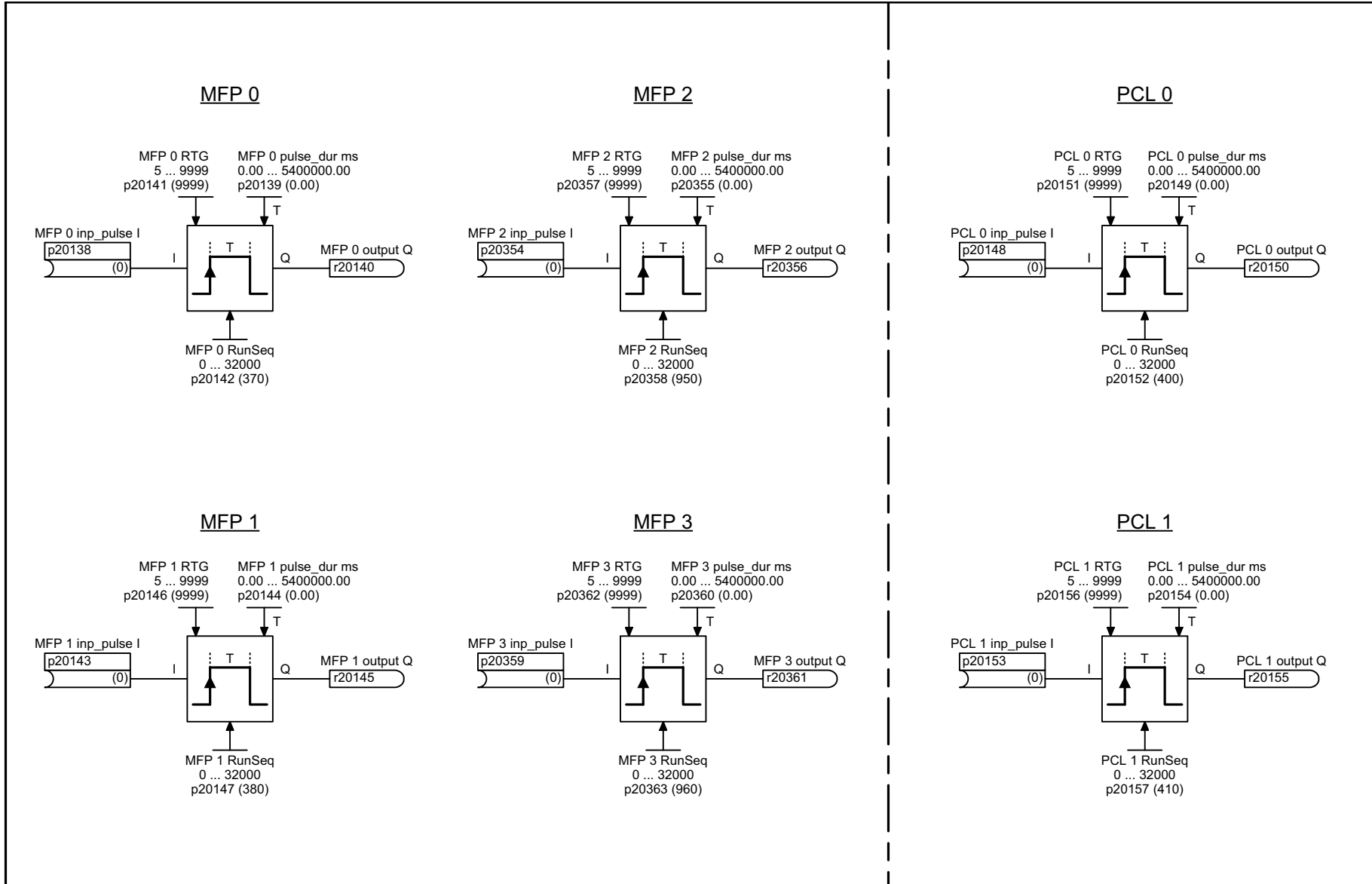


Fig. 3-165 7226 – PLI (polyline scaling)

Fig. 3-166 7230 – MFP (pulse generator), PCL (pulse contractor)



1	2	3	4	5	6	7	8
Free function blocks - Time function blocks					fp_7230_97_51.vsd	Function diagram	
MFP (pulse generator), PCL (pulse contractor)					08.04.2014 V4.7	G120 CU250S-2	
- 7230 -							

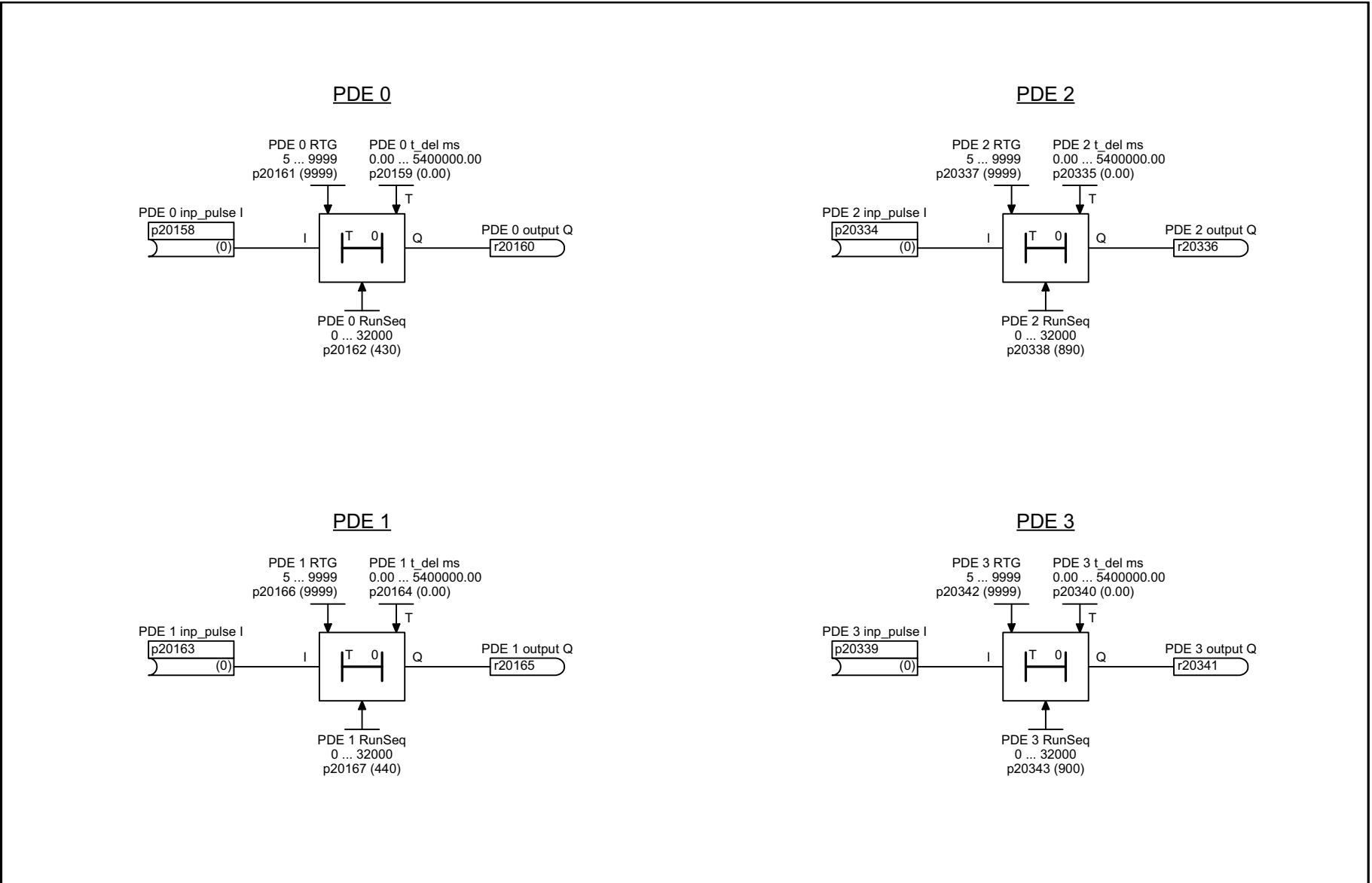


Fig. 3-167 7232 – PDE (ON delay)

1	2	3	4	5	6	7	8
Free function blocks - Time function blocks					fp_7232_97_51.vsd	Function diagram	
PDE (ON delay)					08.04.2014 V4.7	G120 CU250S-2	
- 7232 -							

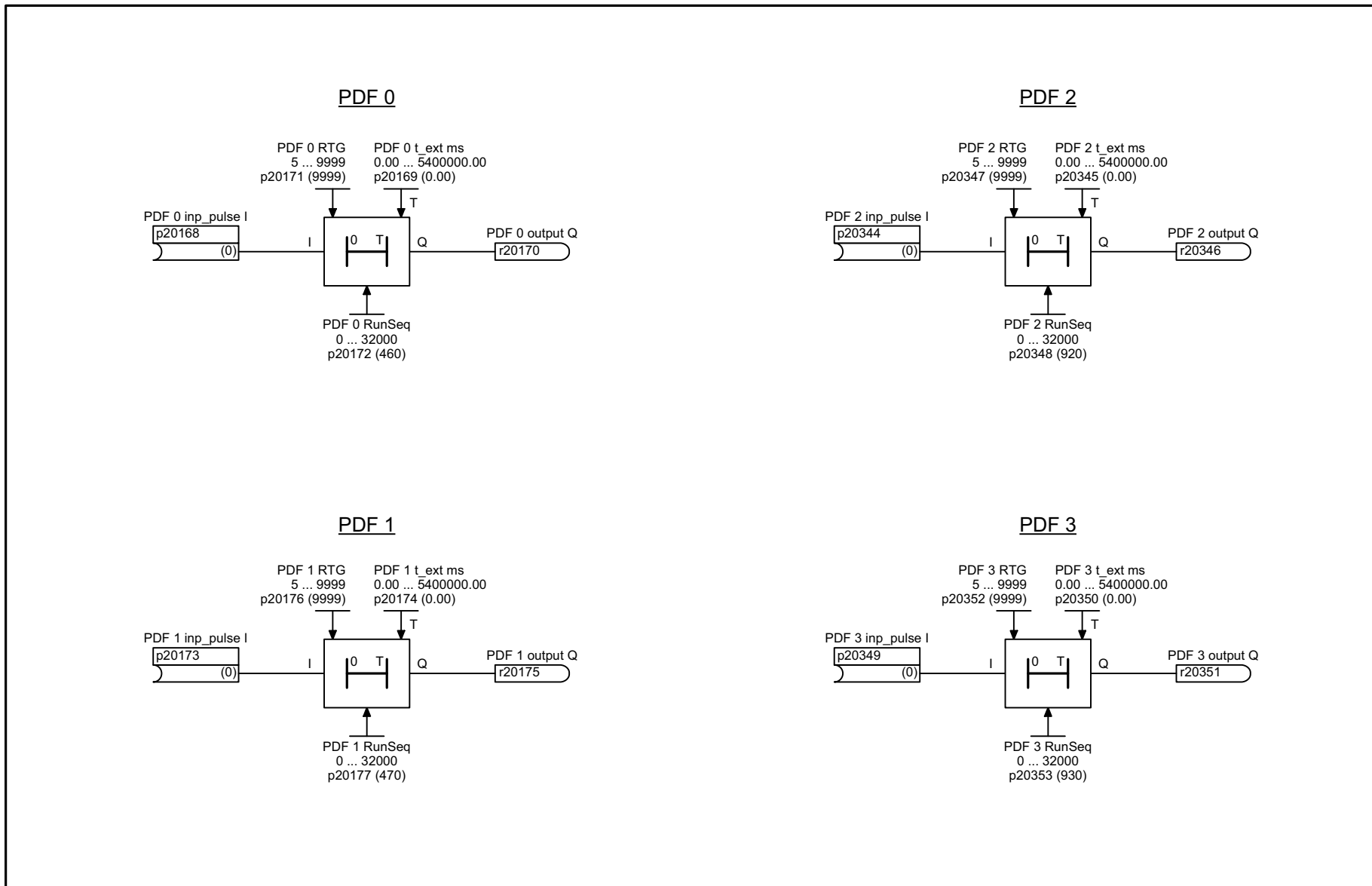


Fig. 3-168 7233 – PDF (OFF delay)

1	2	3	4	5	6	7	8
Free function blocks - Time function blocks					fp_7233_97_51.vsd	Function diagram	
PDF (OFF delay)					08.04.2014 V4.7	G120 CU250S-2	
							- 7233 -

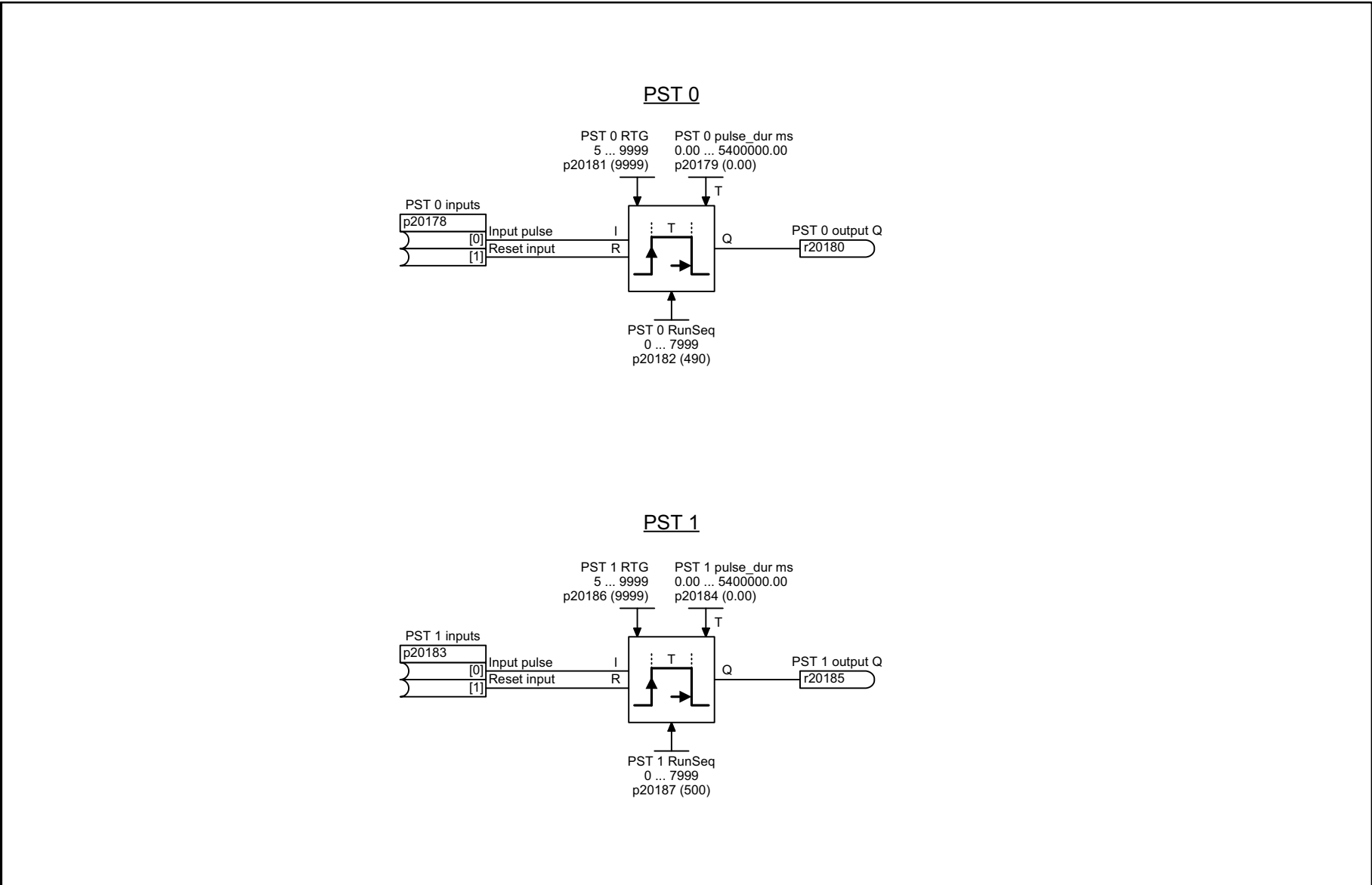
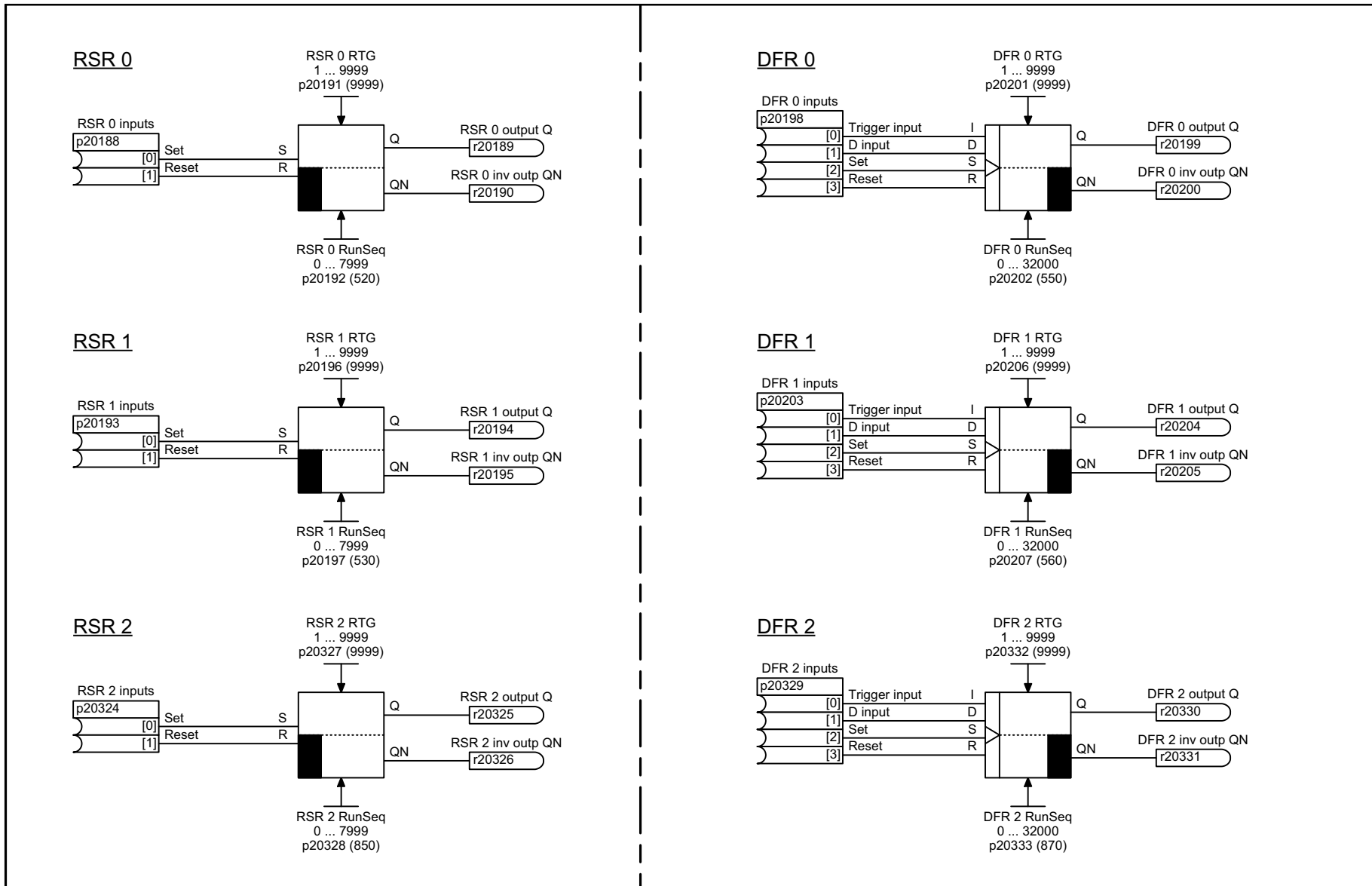


Fig. 3-169 7Z34 – PST (pulse stretcher)

1	2	3	4	5	6	7	8
Free function blocks - Time function blocks					fp_7234_97_51.vsd	Function diagram	
PST (pulse stretcher)					08.04.2014 V4.7	G120 CU250S-2	
- 7234 -							



1	2	3	4	5	6	7	8
Free function blocks - Flipflop function blocks					fp_7240_97_51.vsd	Function diagram	
RSR (RS flip-flop), DFR (D flip-flop)					08.04.2014 V4.7	G120 CU250S-2	

- 7240 -

Fig. 3-170 7240 – RSR (RS flip-flop), DFR (D flip-flop)

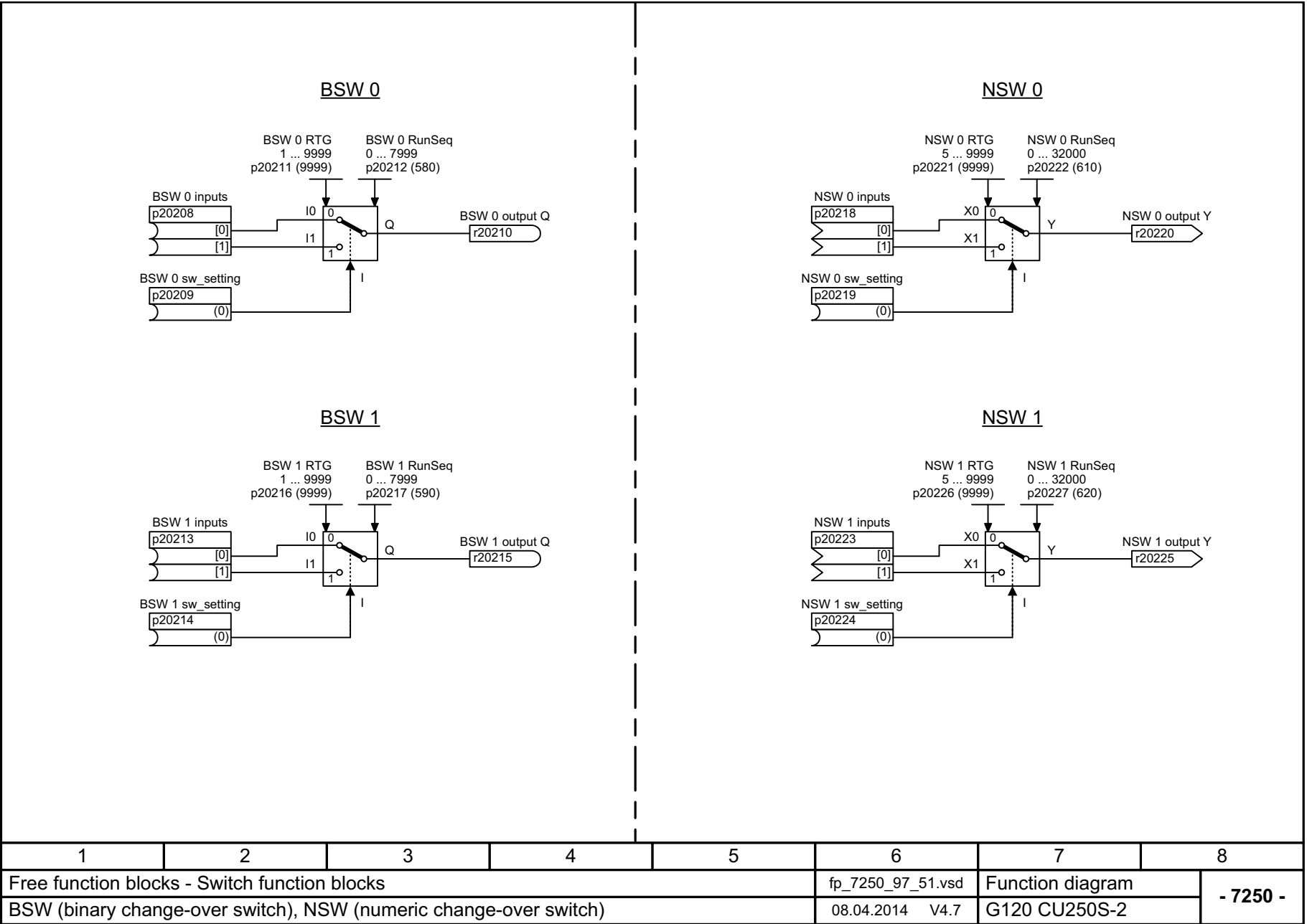
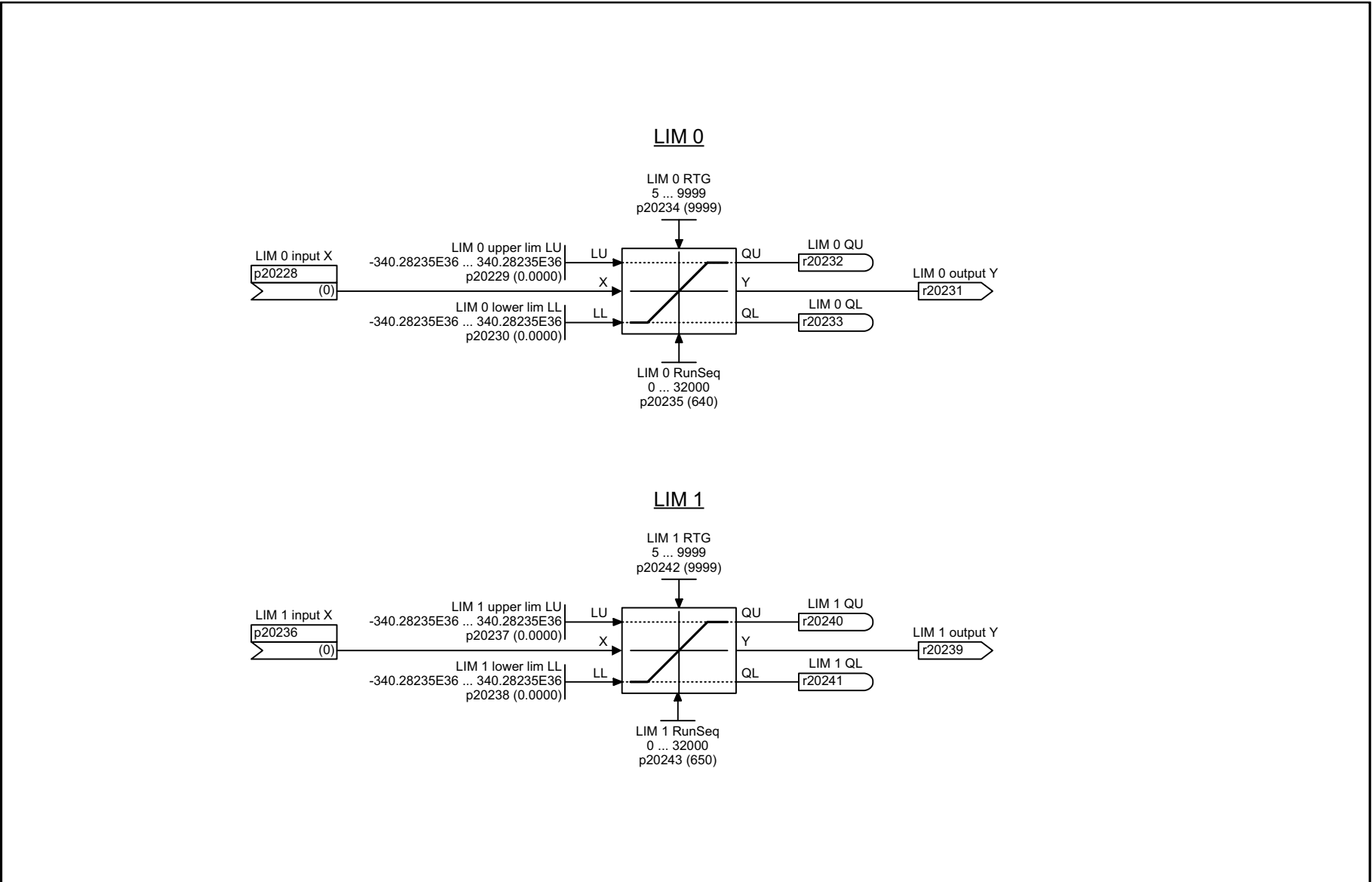


Fig. 3-171 7250 – BSW (binary change-over switch), NSW (numeric change-over switch)



1	2	3	4	5	6	7	8
Free function blocks - Control function blocks					fp_7260_97_51.vsd	Function diagram	
LIM (limiter)					08.04.2014 V4.7	G120 CU250S-2	
- 7260 -							

Fig. 3-172 7260 – LIM (limiter)

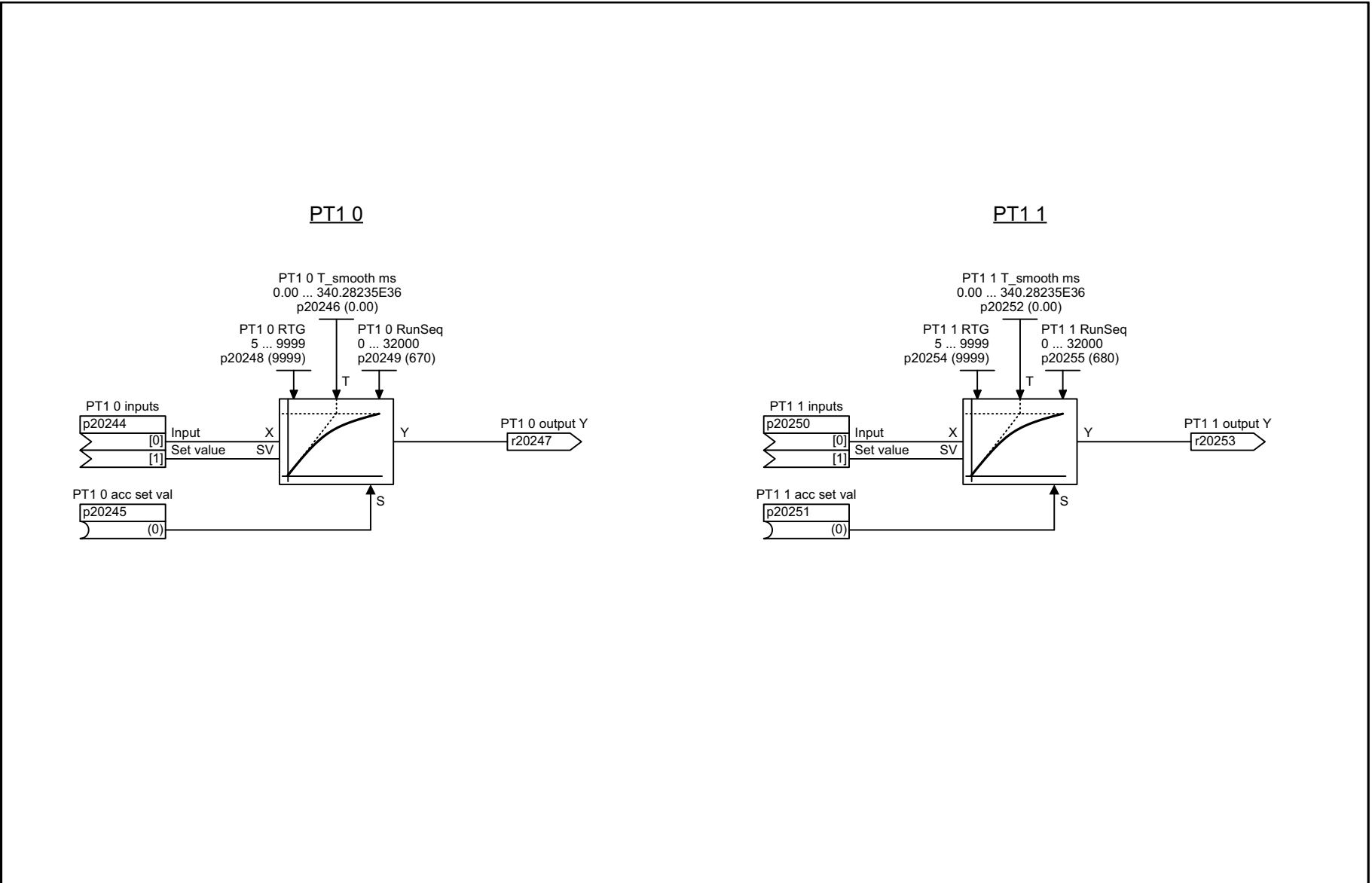
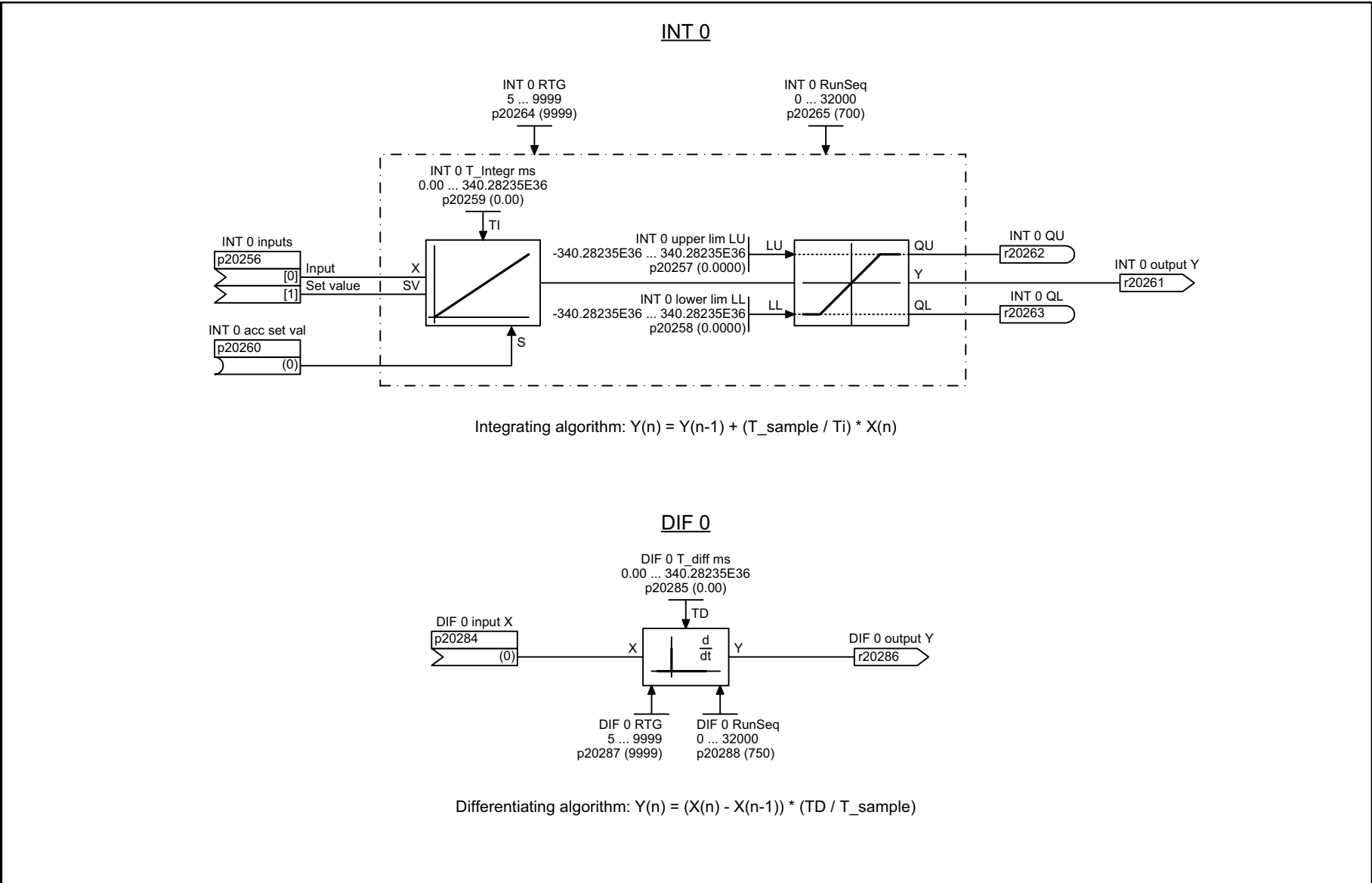


Fig. 3-173 7262 – PT1 (smoothing element)

1	2	3	4	5	6	7	8
Free function blocks - Control function blocks					fp_7262_97_51.vsd	Function diagram	
PT1 (smoothing element)					08.04.2014 V4.7	G120 CU250S-2	
- 7262 -							



1	2	3	4	5	6	7	8
Free function blocks - Control function blocks					fp_7264_97_51.vsd	Function diagram	
INT (integrator), DIF (derivative-action element)					08.04.2014 V4.7	G120 CU250S-2	
- 7264 -							

Fig. 3-174 7264 – INT (integrator), DIF (derivative-action element)

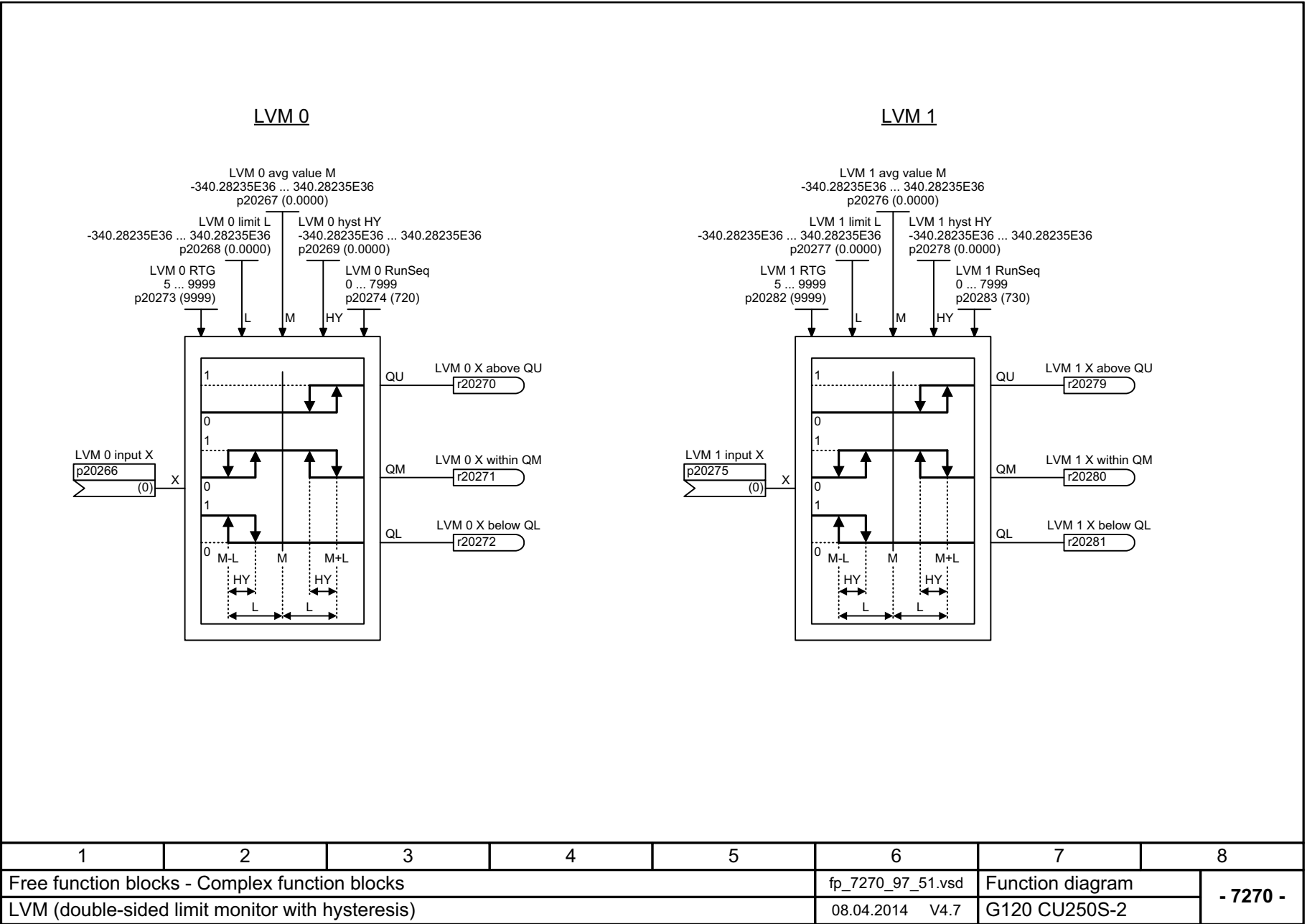


Fig. 3-175 7270 – LVM (double-sided limit monitor with hysteresis)

1	2	3	4	5	6	7	8
Free function blocks - Complex function blocks					fp_7270_97_51.vsd	Function diagram	
LVM (double-sided limit monitor with hysteresis)					08.04.2014 V4.7	G120 CU250S-2	
- 7270 -							

3.21 Technology controller

Function diagrams

7950 – Fixed value selection binary (p2216 = 2)	884
7951 – Fixed value selection direct (p2216 = 1)	885
7954 – Motorized potentiometer	886
7958 – Closed-loop control (vector)	887

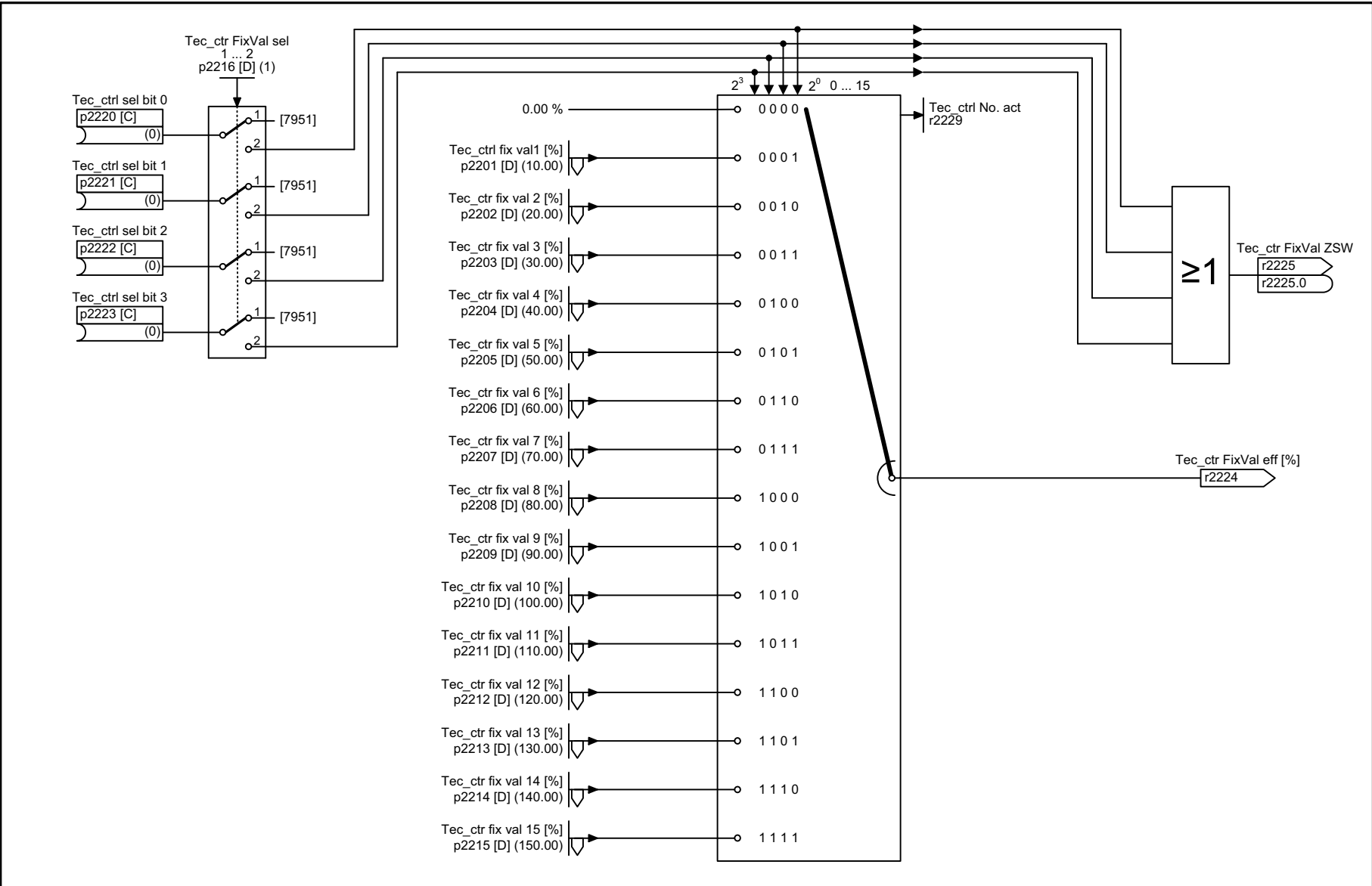


Fig. 3-176 7950 – Fixed value selection binary (p2216 = 2)

1	2	3	4	5	6	7	8
Technology controller					fp_7950_97_51.vsd	Function diagram	
Fixed value selection binary (p2216 = 2)					08.04.2014 V4.7	G120 CU250S-2	
							- 7950 -

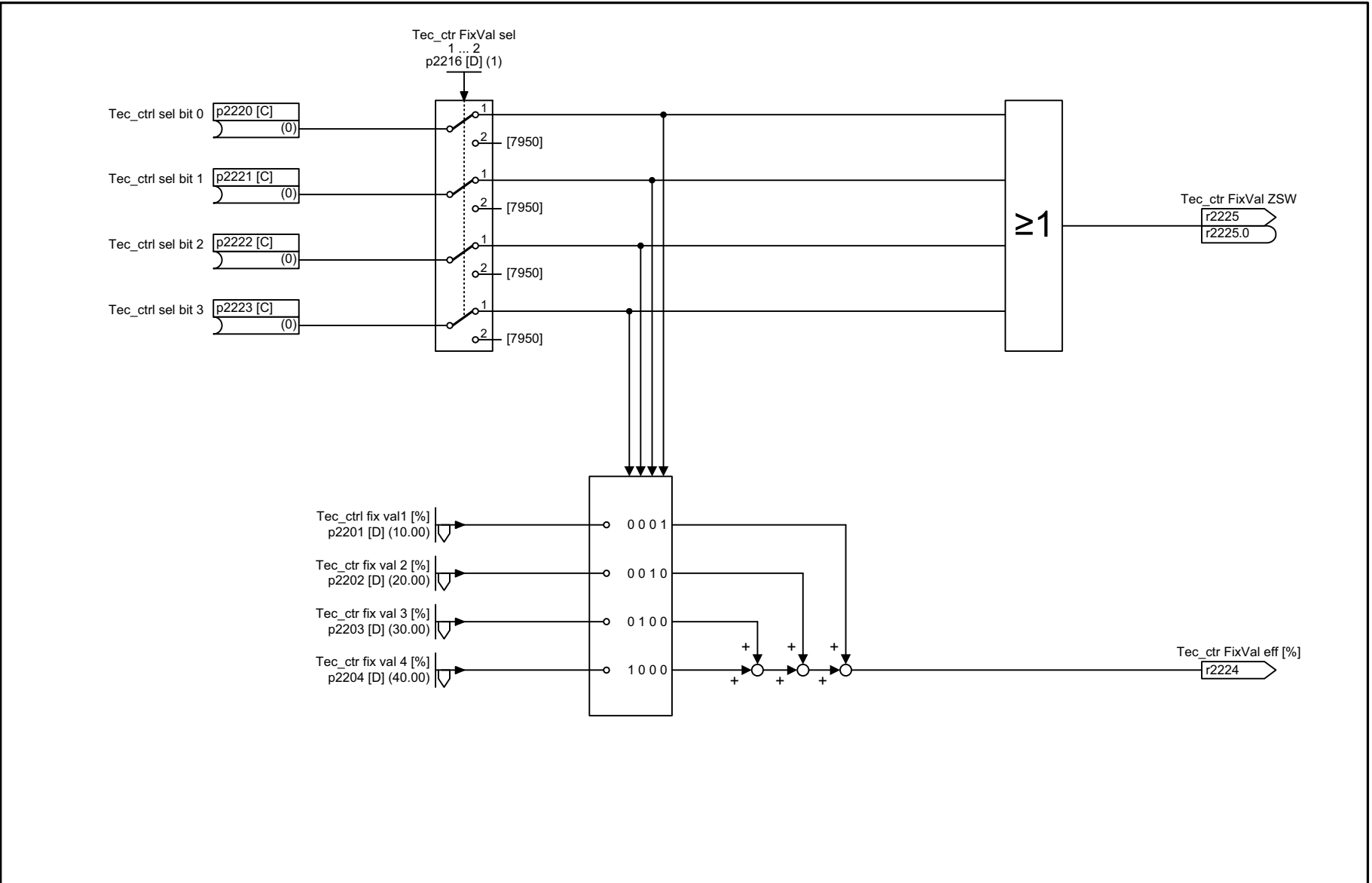


Fig. 3-177 7951 – Fixed value selection direct (p2216 = 1)

1	2	3	4	5	6	7	8
Technology controller					fp_7951_97_51.vsd	Function diagram	
Fixed value selection direct (p2216 = 1)					08.04.2014 V4.7	G120 CU250S-2	
							- 7951 -

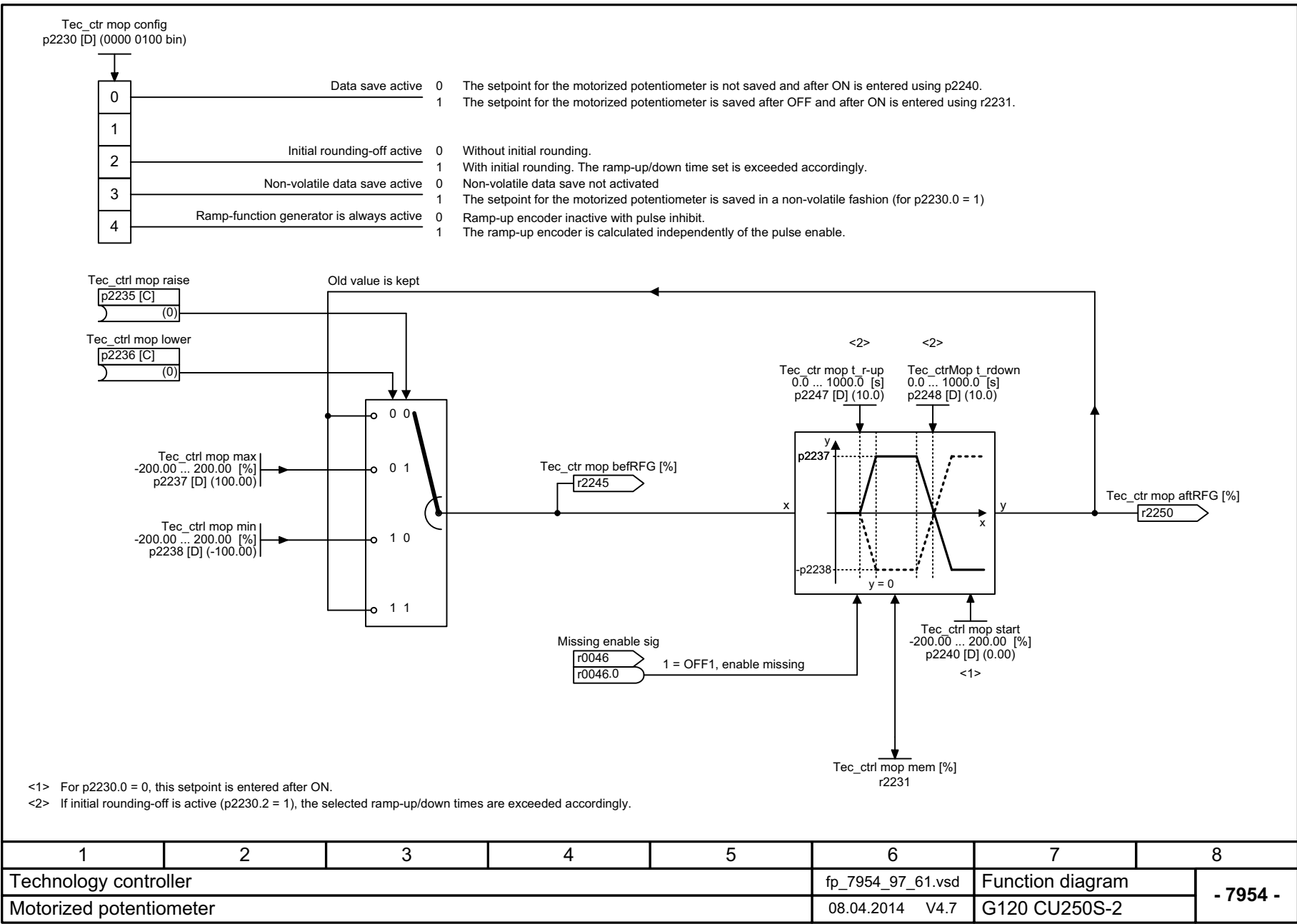
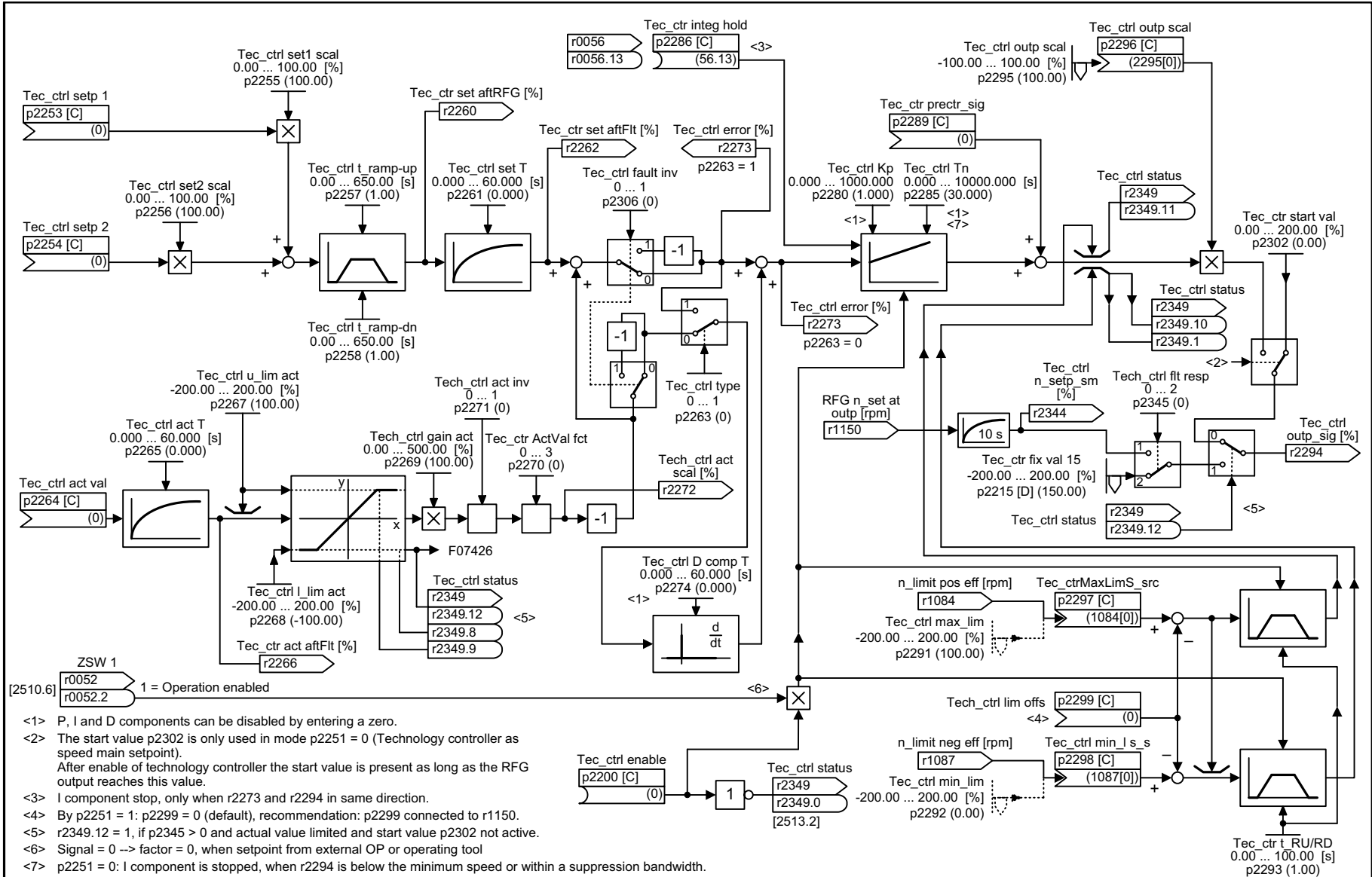


Fig. 3-178 7954 – Motorized potentiometer

Fig. 3-179 7958 – Closed-loop control (vector)



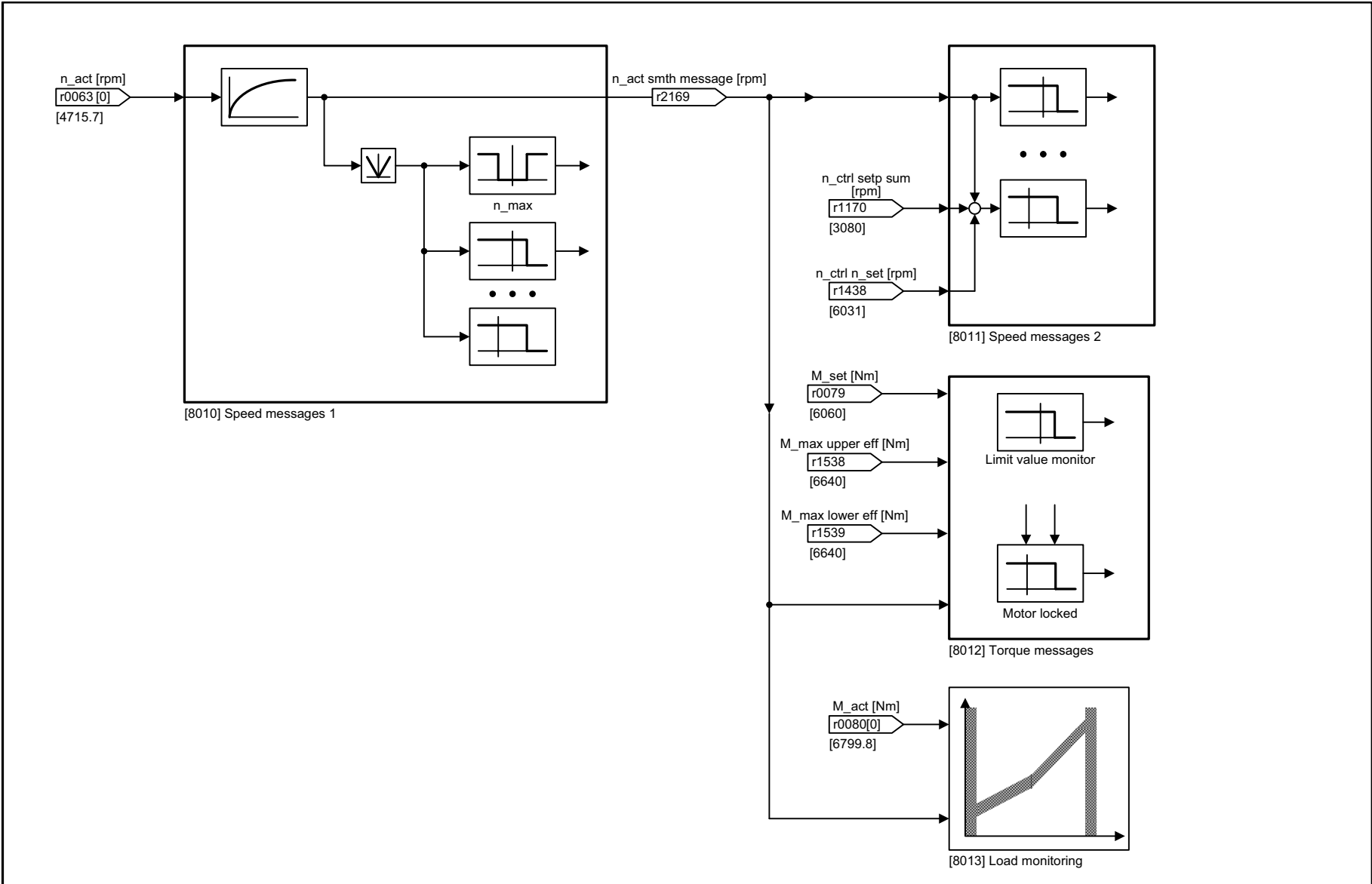
- <1> P, I and D components can be disabled by entering a zero.
- <2> The start value p2302 is only used in mode p2251 = 0 (Technology controller as speed main setpoint).
After enable of technology controller the start value is present as long as the RFG output reaches this value.
- <3> I component stop, only when r2273 and r2294 in same direction.
- <4> By p2251 = 1: p2299 = 0 (default), recommendation: p2299 connected to r1150.
- <5> r2349.12 = 1, if p2345 > 0 and actual value limited and start value p2302 not active.
- <6> Signal = 0 -> factor = 0, when setpoint from external OP or operating tool
- <7> p2251 = 0: I component is stopped, when r2294 is below the minimum speed or within a suppression bandwidth.

1	2	3	4	5	6	7	8
Technology controller					fp_7958_97_53.vsd	Function diagram	
Closed-loop control (vector)					08.04.2014 V4.7	G120 CU250S-2	
							- 7958 -

3.22 Signals and monitoring functions

Function diagrams

8005 – Overview	889
8010 – Speed signals 1	890
8011 – Speed signals 2	891
8012 – Torque signals, motor blocked/stalled	892
8013 – Load monitoring	893
8014 – Thermal monitoring, power unit	894
8016 – Thermal monitoring, motor	895
8017 – Thermal motor models	896
8020 – Monitoring functions 1	897
8021 – Monitoring functions 2	898



1	2	3	4	5	6	7	8
Signals and monitoring functions					fp_8005_97_53.vsd	Function diagram	
Overview					08.04.2014 V4.7	G120 CU250S-2	
- 8005 -							

Fig. 3-180 8005 – Overview

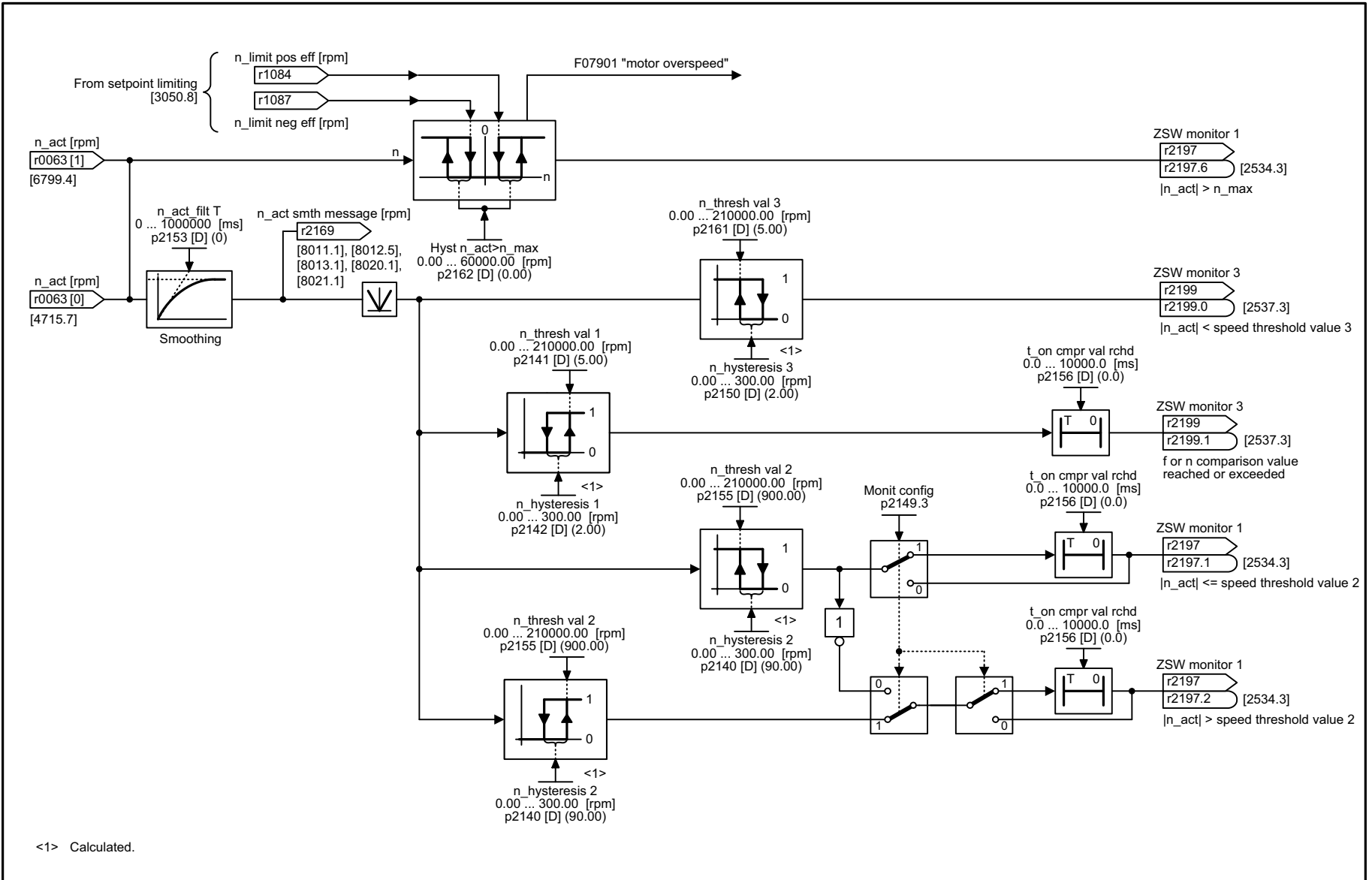
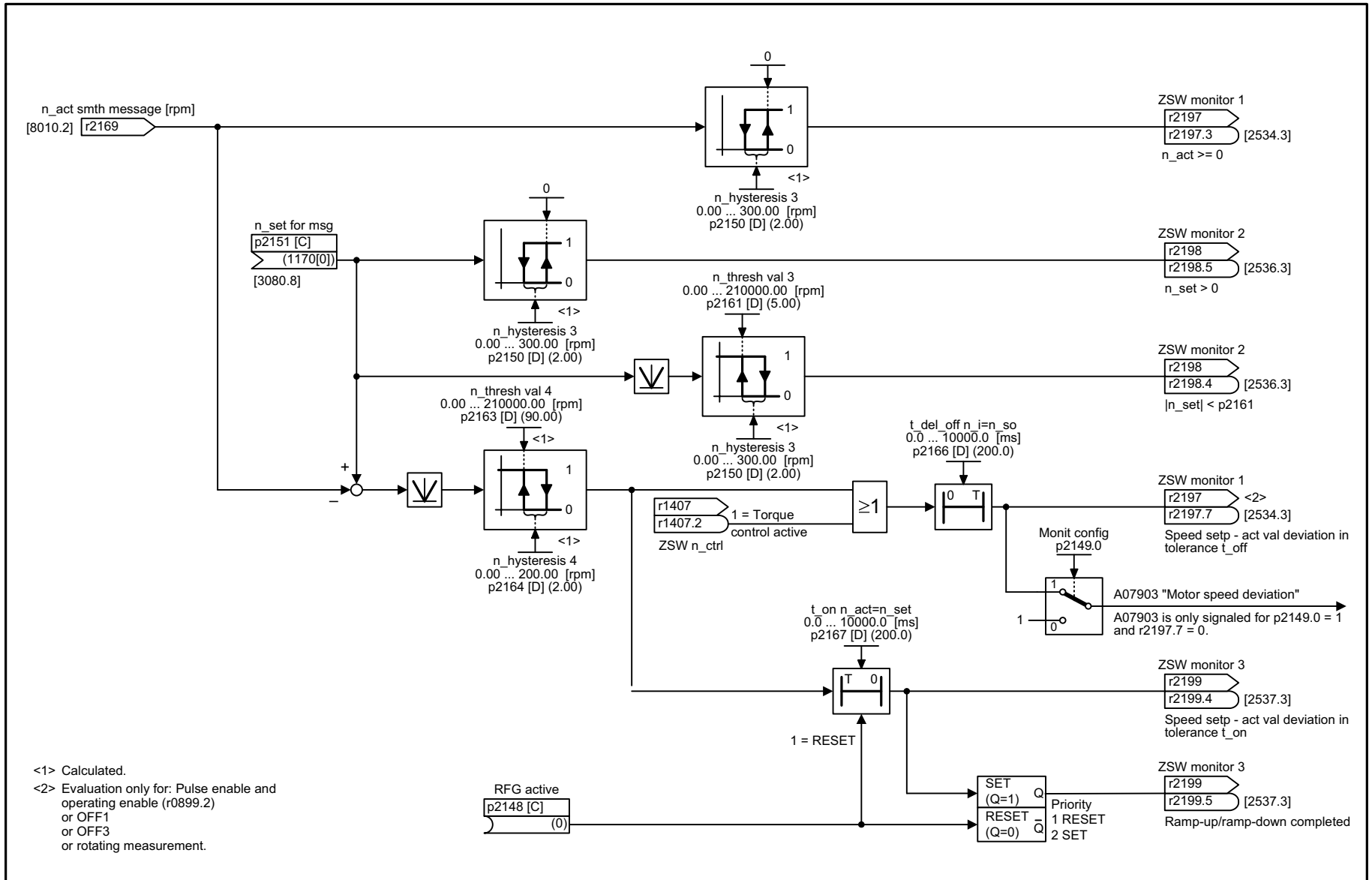


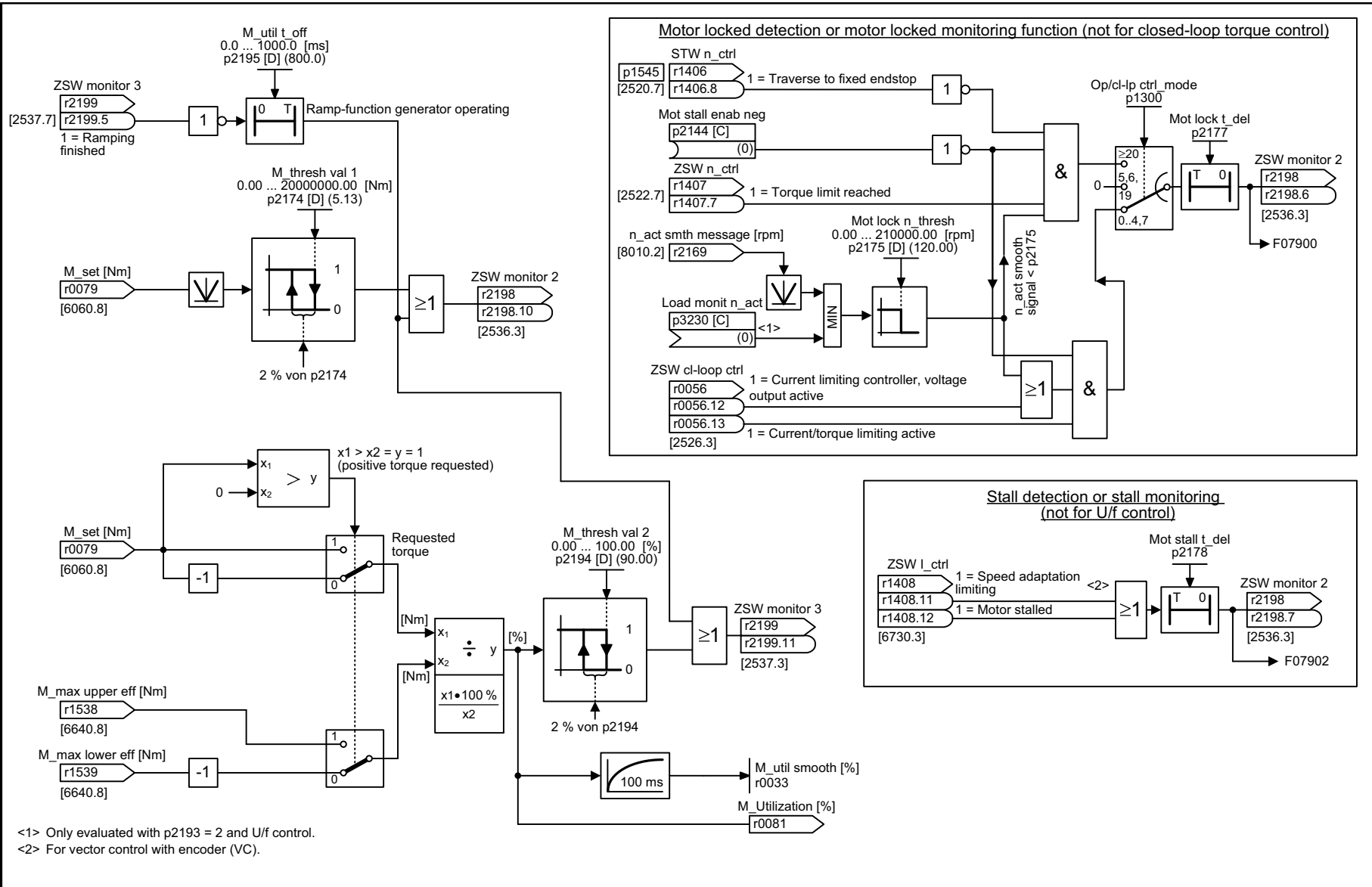
Fig. 3-181 8010 – Speed signals 1

1	2	3	4	5	6	7	8
Signals and monitoring functions					fp_8010_97_53.vsd	Function diagram	
Speed signals 1					08.04.2014 V4.7	G120 CU250S-2	
- 8010 -							

Fig. 3-182 8011 – Speed signals 2



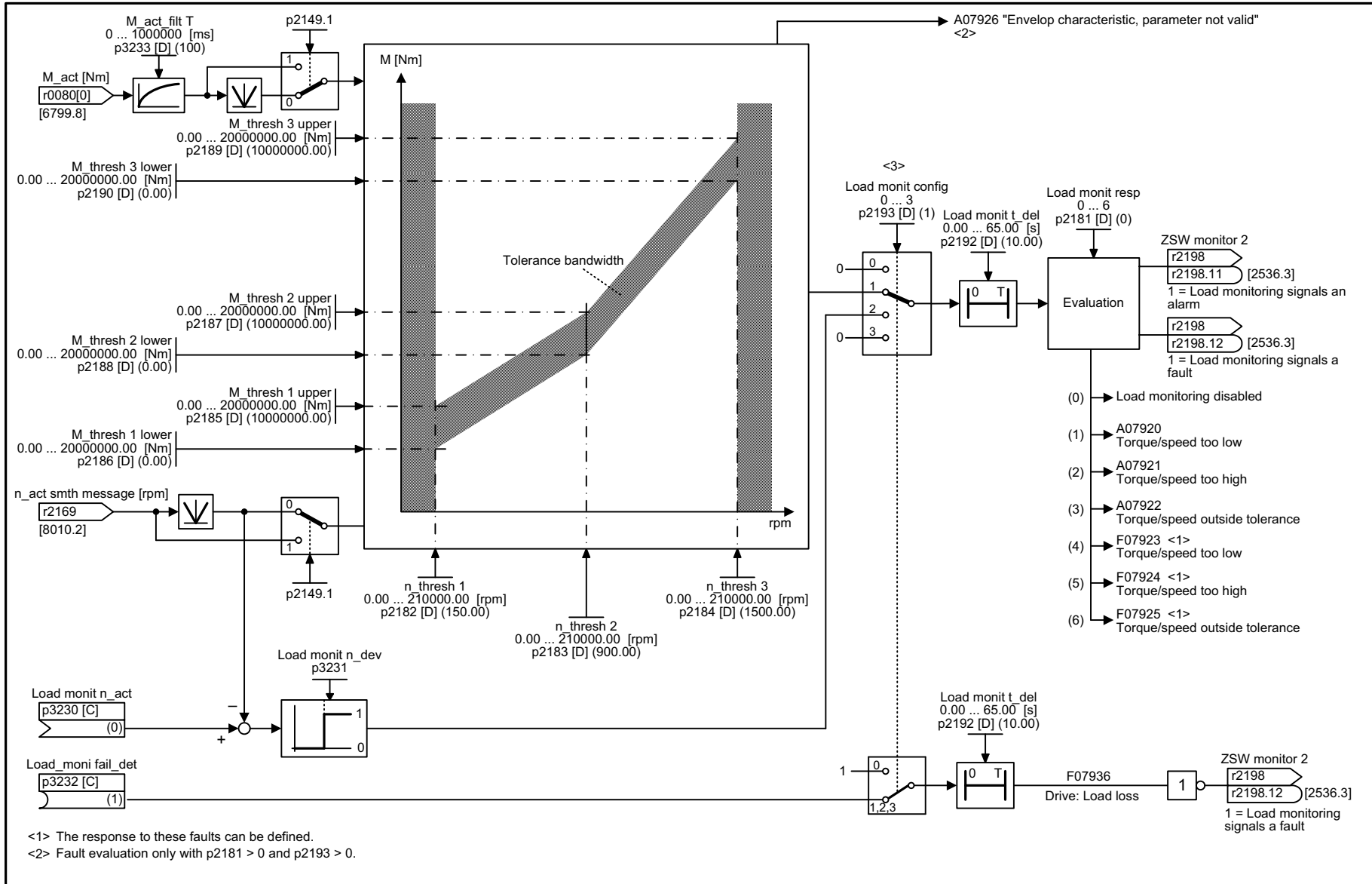
1	2	3	4	5	6	7	8
Signals and monitoring functions					fp_8011_97_53.vsd	Function diagram	
Speed signals 2					08.04.2014 V4.7	G120 CU250S-2	
							- 8011 -



1	2	3	4	5	6	7	8
Signals and monitoring functions					fp_8012_97_55.vsd	Function diagram	
Torque signals, motor blocked/stalled					08.04.2014 V4.6	G120 CU250S-2	

Fig. 3-183 8012 – Torque signals, motor blocked/stalled

Fig. 3-184 8013 – Load monitoring



1	2	3	4	5	6	7	8
Signals and monitoring functions					fp_8013_97_03.vsd	Function diagram	
Load monitoring					08.04.2014 V4.7	G120 CU250S-2	
							- 8013 -

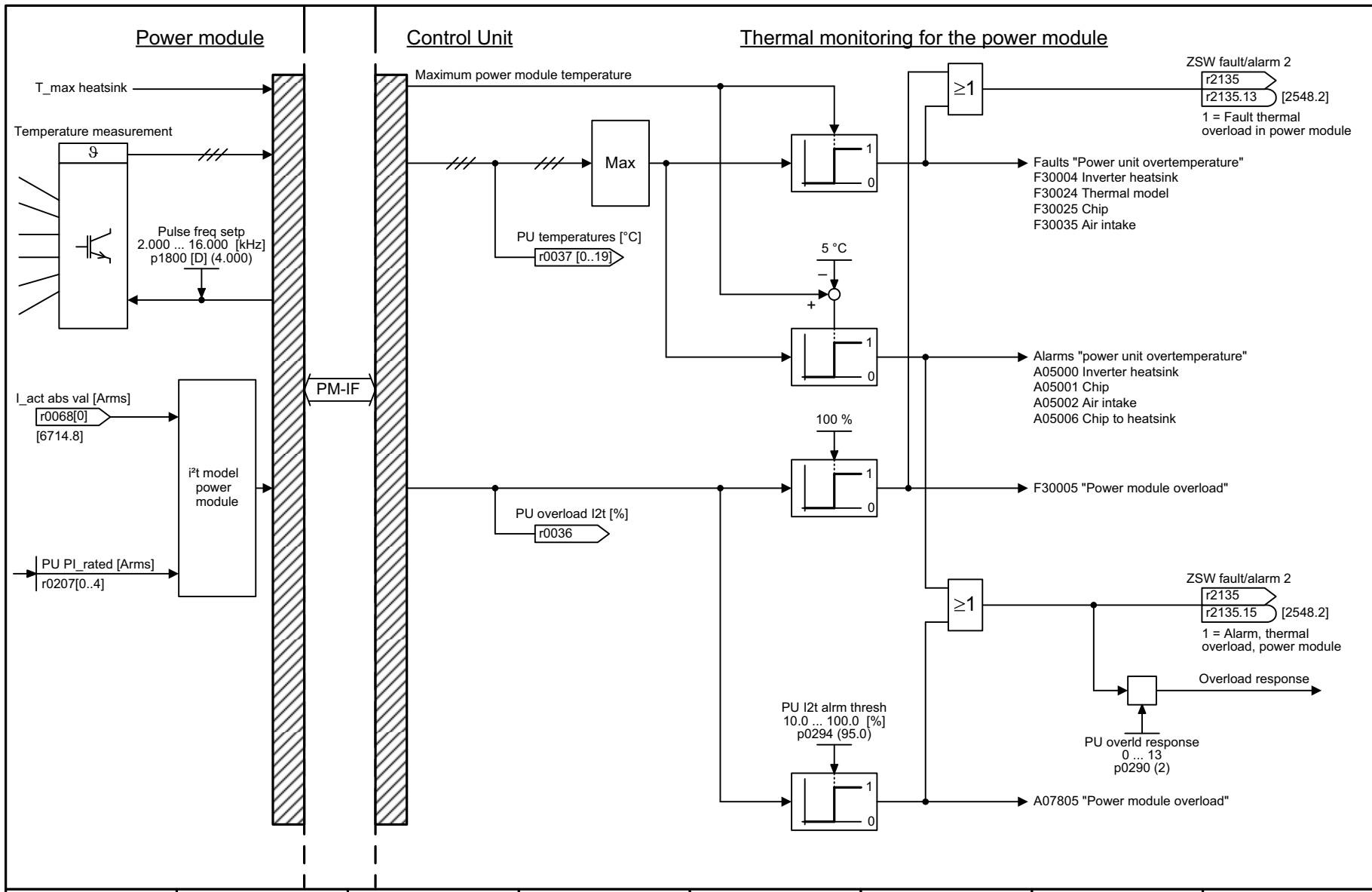
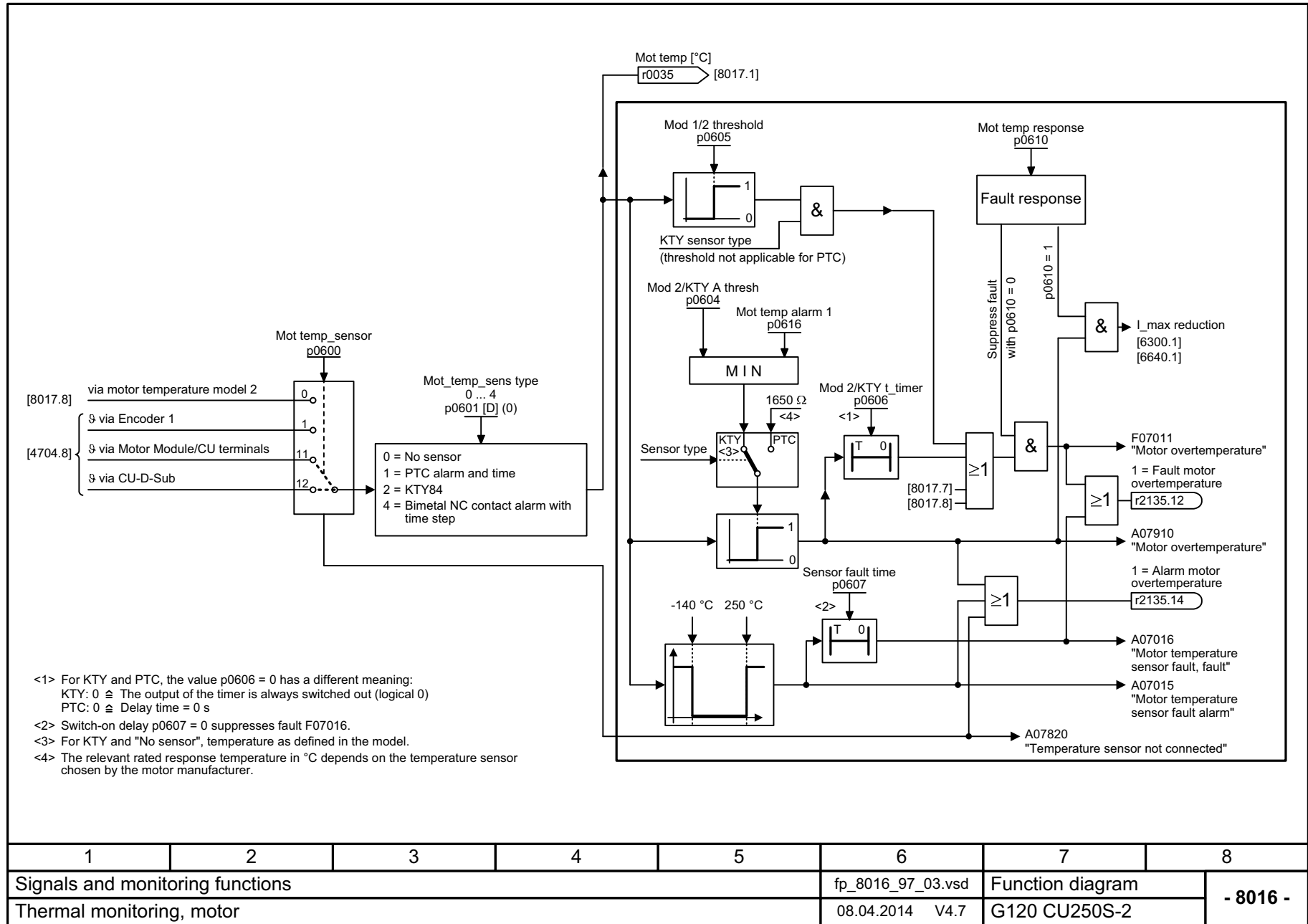


Fig. 3-185 8014 – Thermal monitoring, power unit

1	2	3	4	5	6	7	8
Signals and monitoring functions					fp_8014_97_51.vsd	Function diagram	
Thermal monitoring, power module					08.04.2014 V4.7	G120 CU250S-2	
- 8014 -							

Fig. 3-186 8016 – Thermal monitoring, motor



1	2	3	4	5	6	7	8
Signals and monitoring functions					fp_8016_97_03.vsd	Function diagram	
Thermal monitoring, motor					08.04.2014 V4.7	G120 CU250S-2	
							- 8016 -

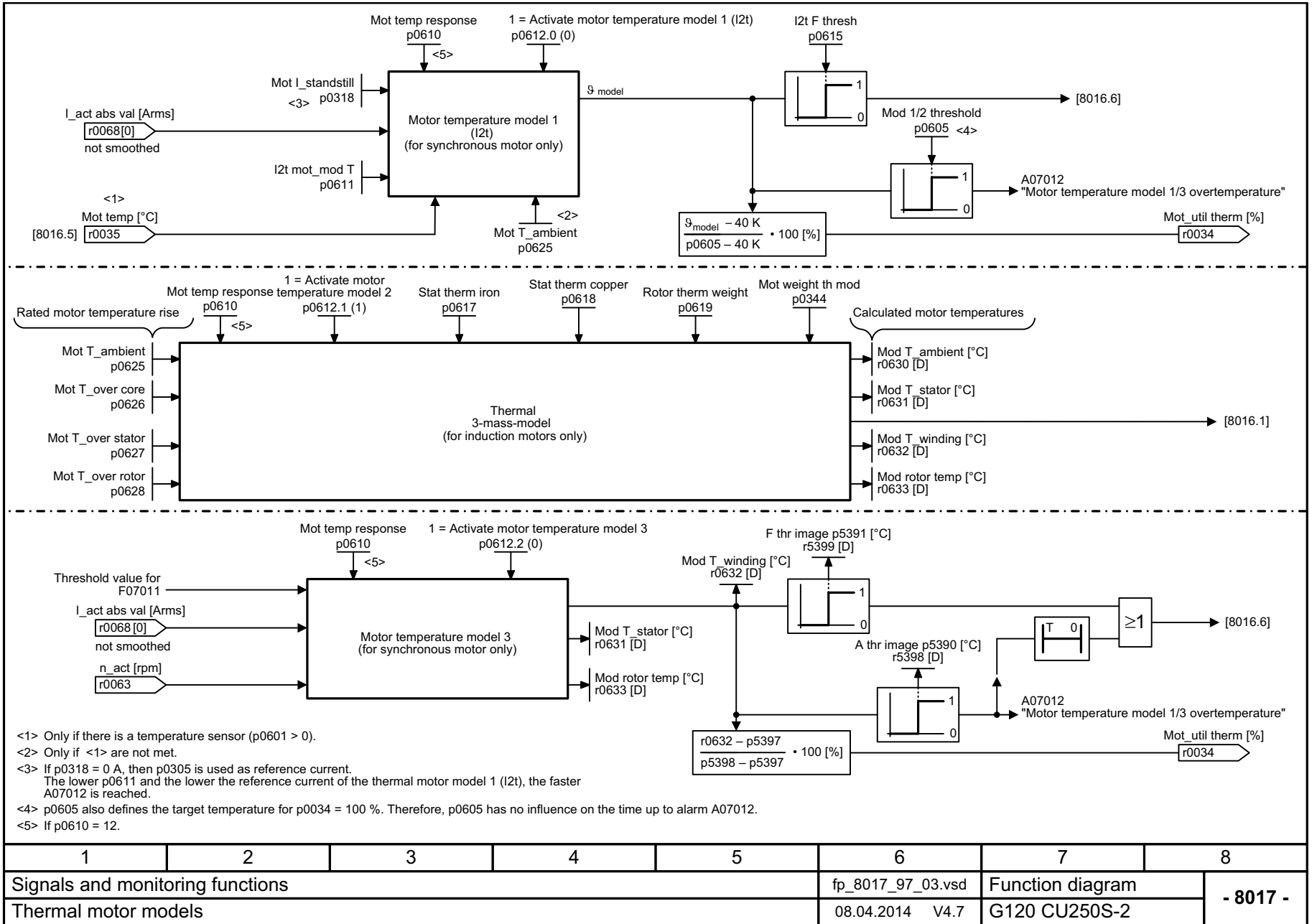
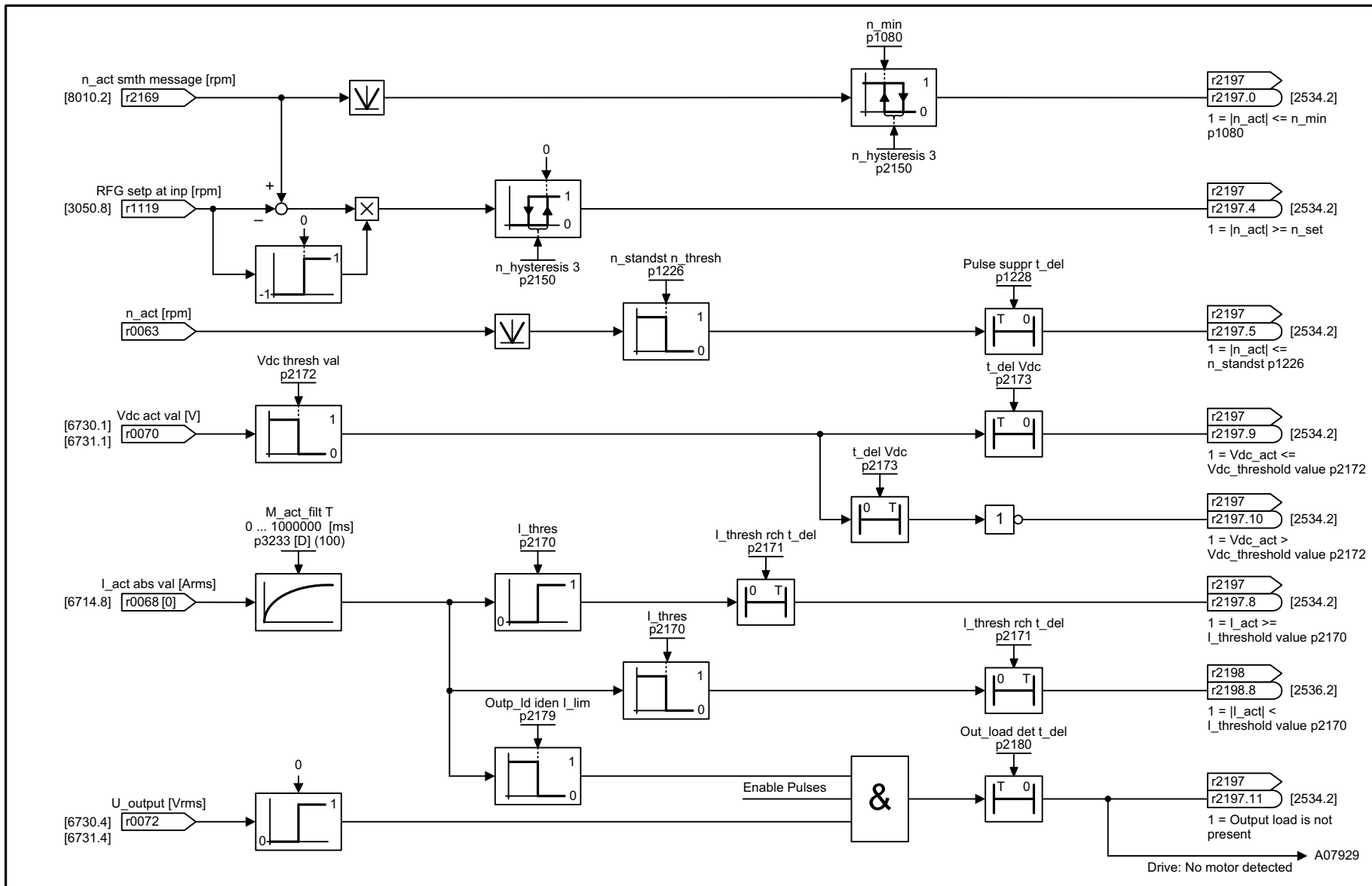


Fig. 3-187 8017 – Thermal motor models

1	2	3	4	5	6	7	8
Signals and monitoring functions					fp_8017_97_03.vsd	Function diagram	
Thermal motor models					08.04.2014 V4.7	G120 CU250S-2	
- 8017 -							



1	2	3	4	5	6	7	8
Signals and monitoring functions					fp_8020_97_53.vsd	Function diagram	
Monitoring functions 1					08.04.2014 V4.7	G120 CU250S-2	
							- 8020 -

Fig. 3-188 8020 – Monitoring functions 1

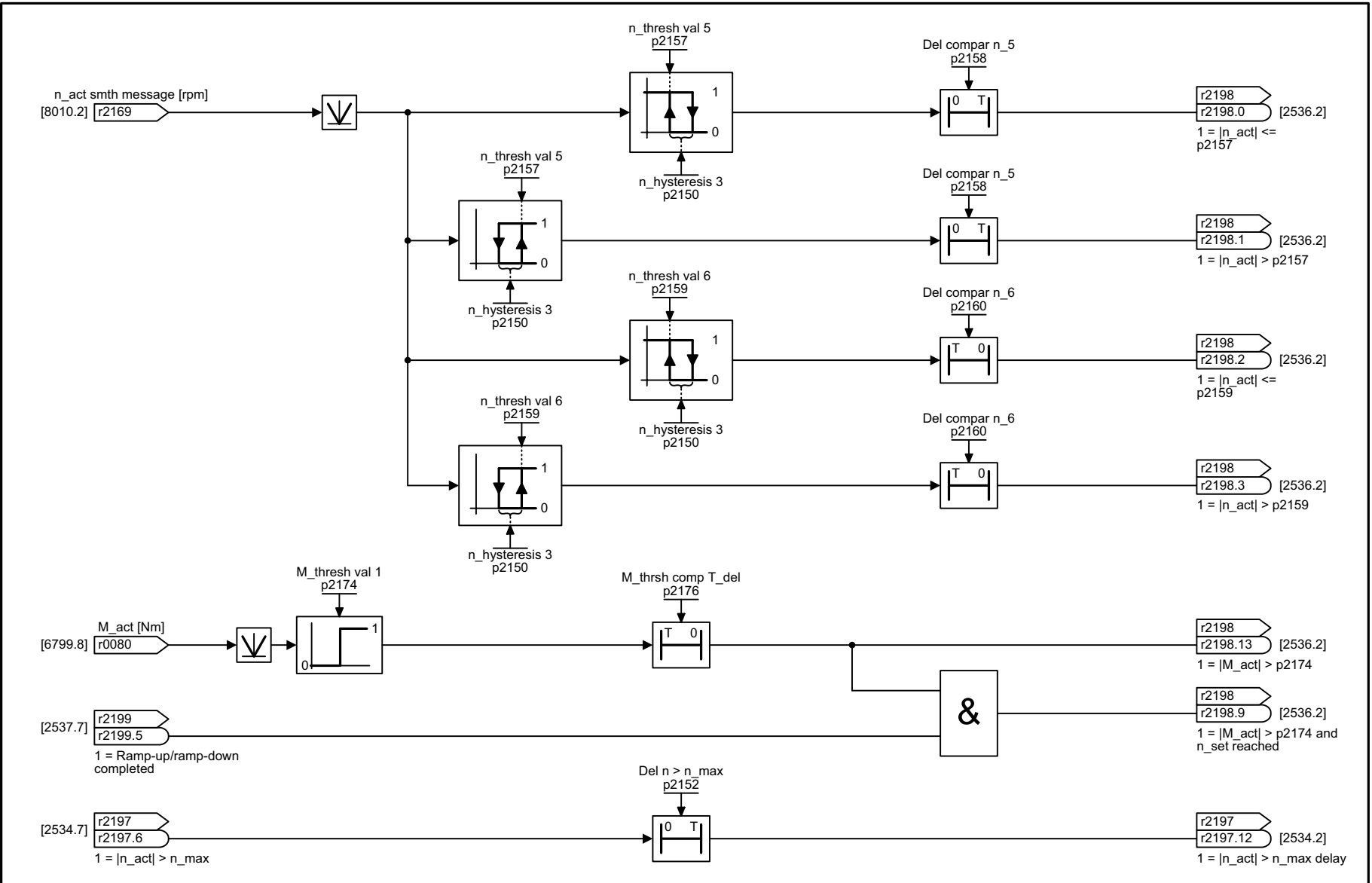


Fig. 3-189 8021 – Monitoring functions 2

1	2	3	4	5	6	7	8
Signals and monitoring functions					fp_8021_97_53.vsd	Function diagram	
Monitoring functions 2					08.04.2014 V4.7	G120 CU250S-2	
- 8021 -							

3.23 Diagnostics

Function diagrams

8050 – Overview	900
8060 – Fault buffer	901
8065 – Alarm buffer	902
8070 – Faults/alarms trigger word (r2129)	903
8075 – Faults/alarms configuration	904

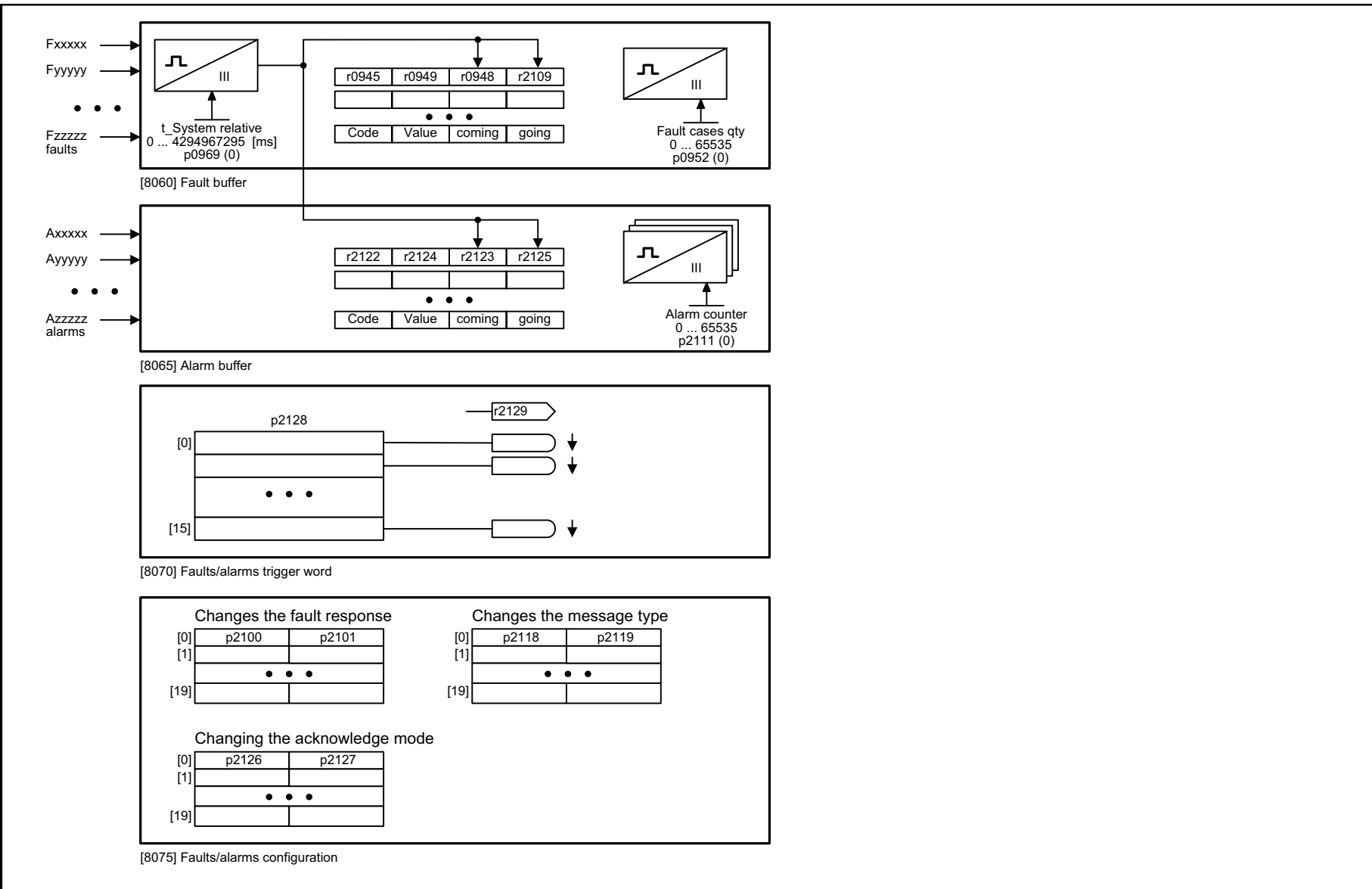
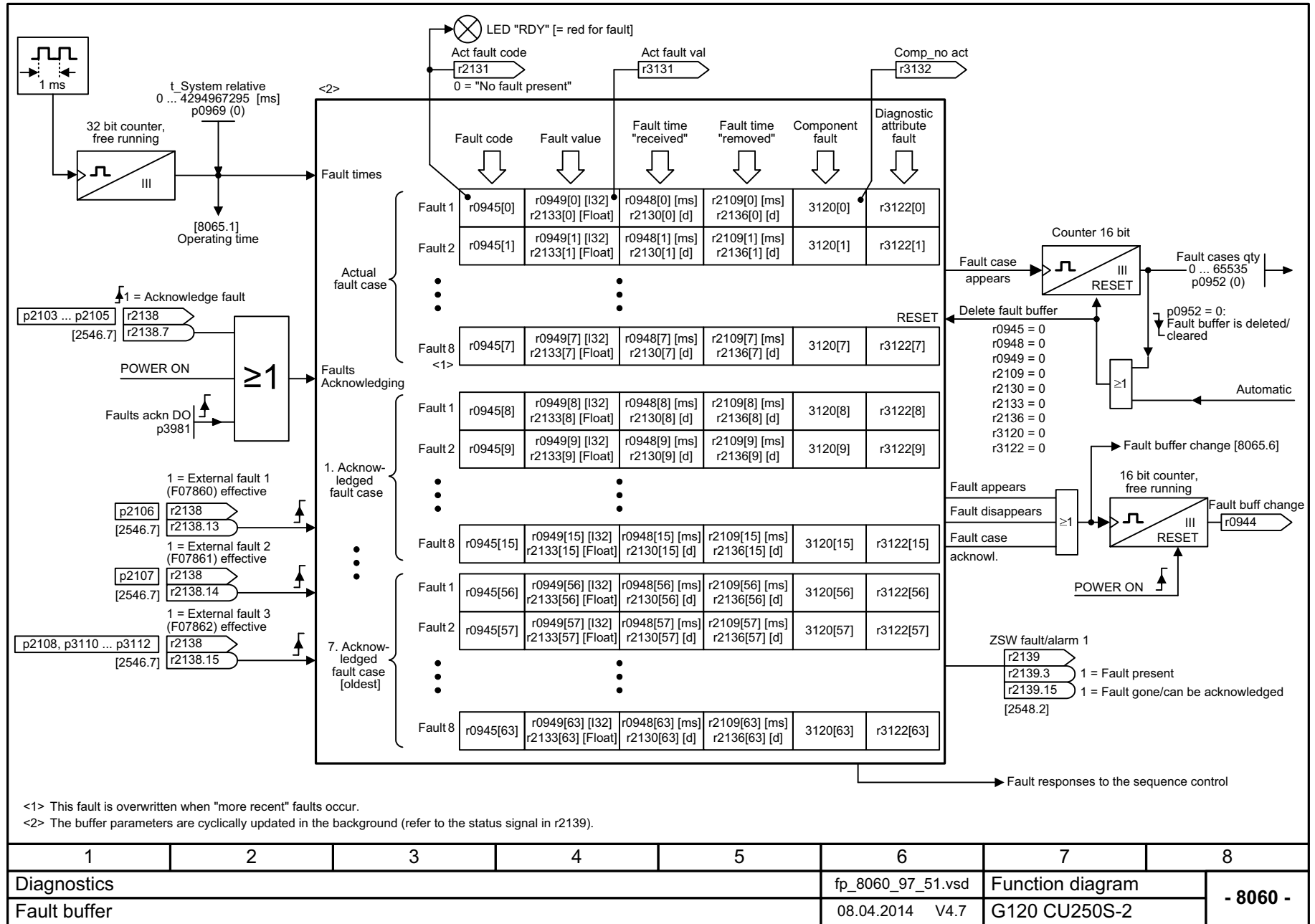
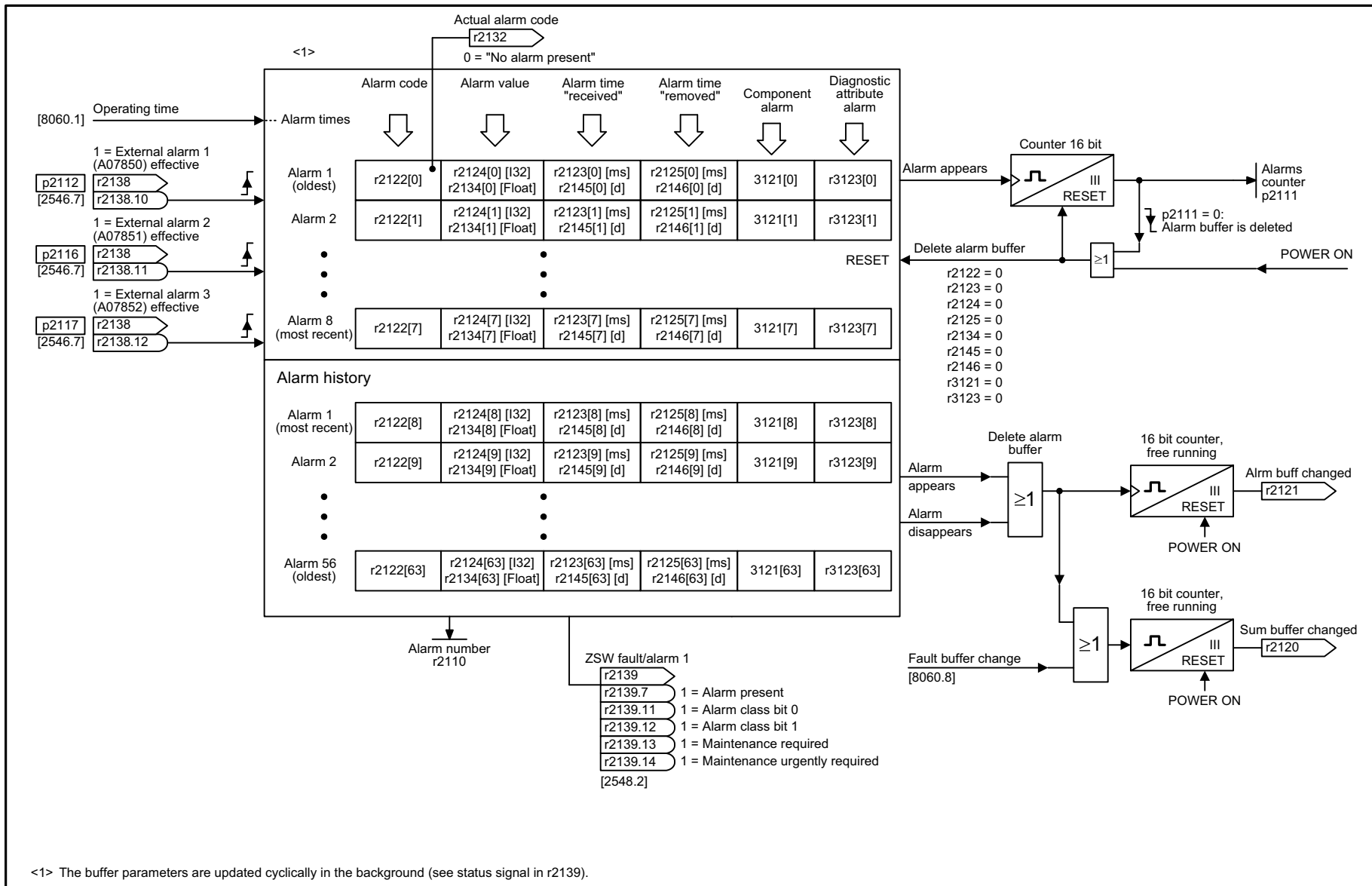


Fig. 3-190 8050 – Overview

1	2	3	4	5	6	7	8
Diagnostics					fp_8050_97_51.vsd	Function diagram	
Overview					08.04.2014 V4.7	G120 CU250S-2	
- 8050 -							

Fig. 3-191 8060 – Fault buffer



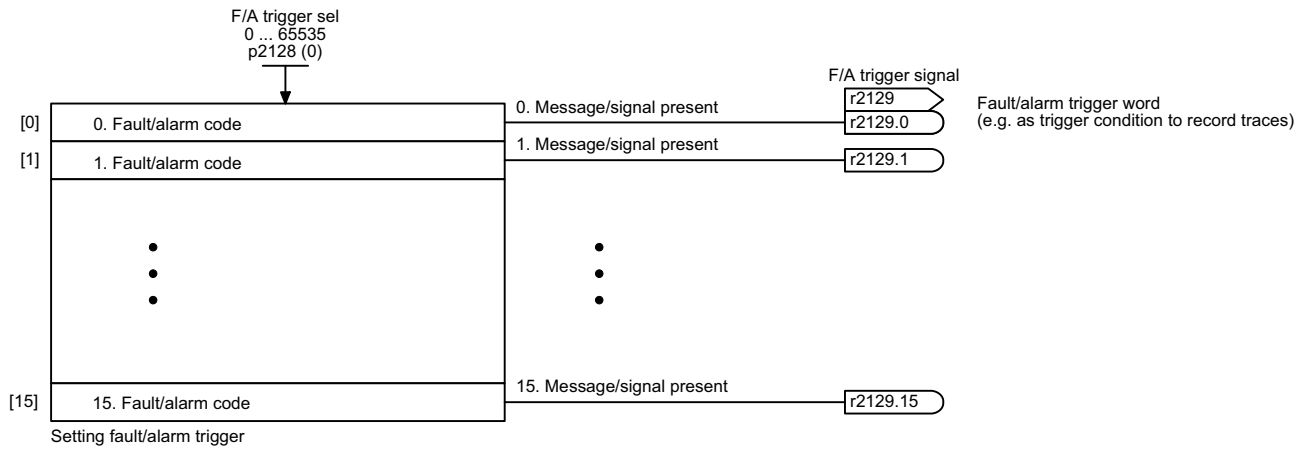


<1> The buffer parameters are updated cyclically in the background (see status signal in r2139).

1	2	3	4	5	6	7	8
Diagnostics					fp_8065_97_51.vsd	Function diagram	
Alarm buffer					08.04.2014 V4.7	G120 CU250S-2	

- 8065 -

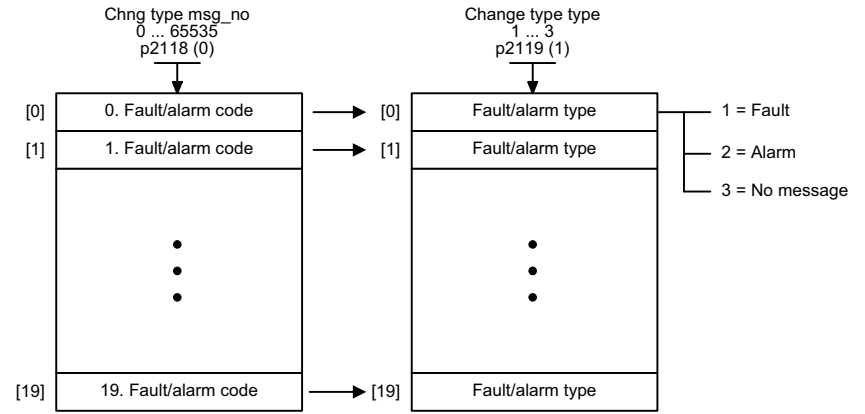
Fig. 3-192 8065 – Alarm buffer



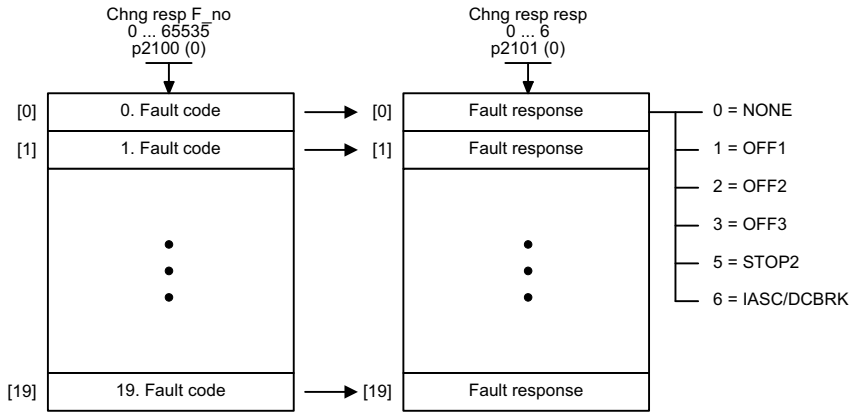
1	2	3	4	5	6	7	8
Diagnostics					fp_8070_97_61.vsd	Function diagram	
Faults/alarms trigger word (r2129)					08.04.2014 V4.7	G120 CU250S-2	
- 8070 -							

Fig. 3-193 8070 – Faults/alarms trigger word (r2129)

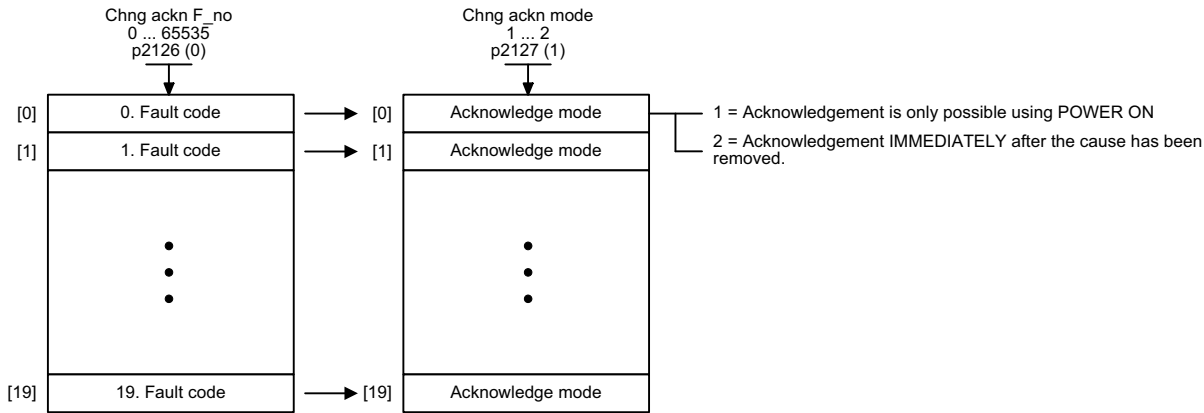
Changing the message type - fault <==> alarm for maximum 20 faults/alarms <1>



Changing the fault response for maximum 20 faults <1>



Changing the acknowledge mode for maximum 20 faults <1>



<1> The fault response, acknowledge mode and message type for all faults and alarms are set to meaningful default values in the factory setting. Changes are only possible in specific value ranges specified by SIEMENS. When the message type is changed, the supplementary information is transferred from fault value r0949 to alarm value r2124 and vice versa.

1	2	3	4	5	6	7	8
Diagnostics					fp_8075_97_51.vsd	Function diagram	
Faults/alarms configuration					08.04.2014 V4.7	G120 CU250S-2	
- 8075 -							

Fig. 3-194 8075 – Faults/alarms configuration

3.24 Data sets

Function diagrams

8560 – Command Data Sets (CDS)	906
8565 – Drive Data Sets (DDS)	907
8570 – Encoder Data Sets (EDS)	908

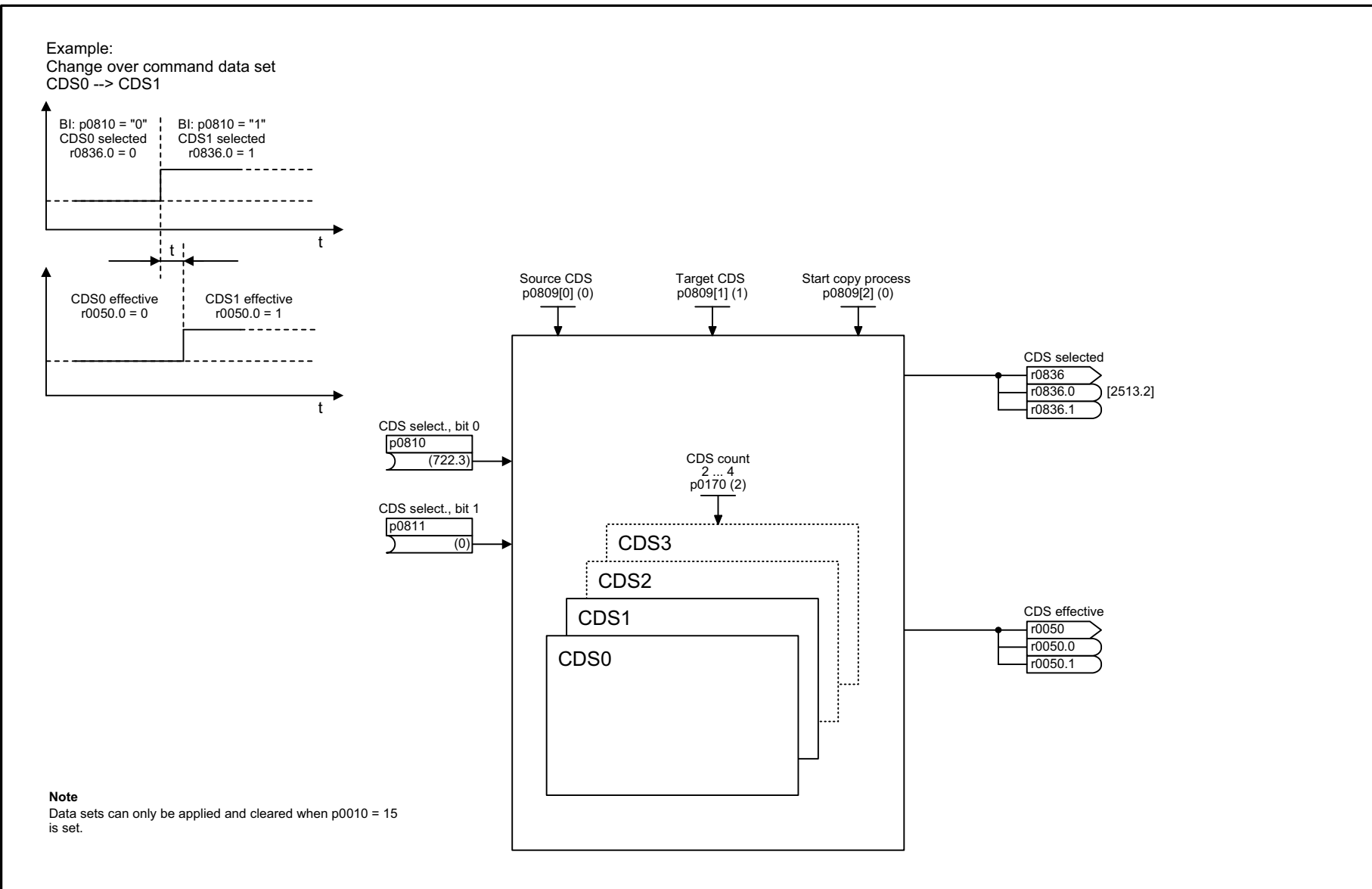
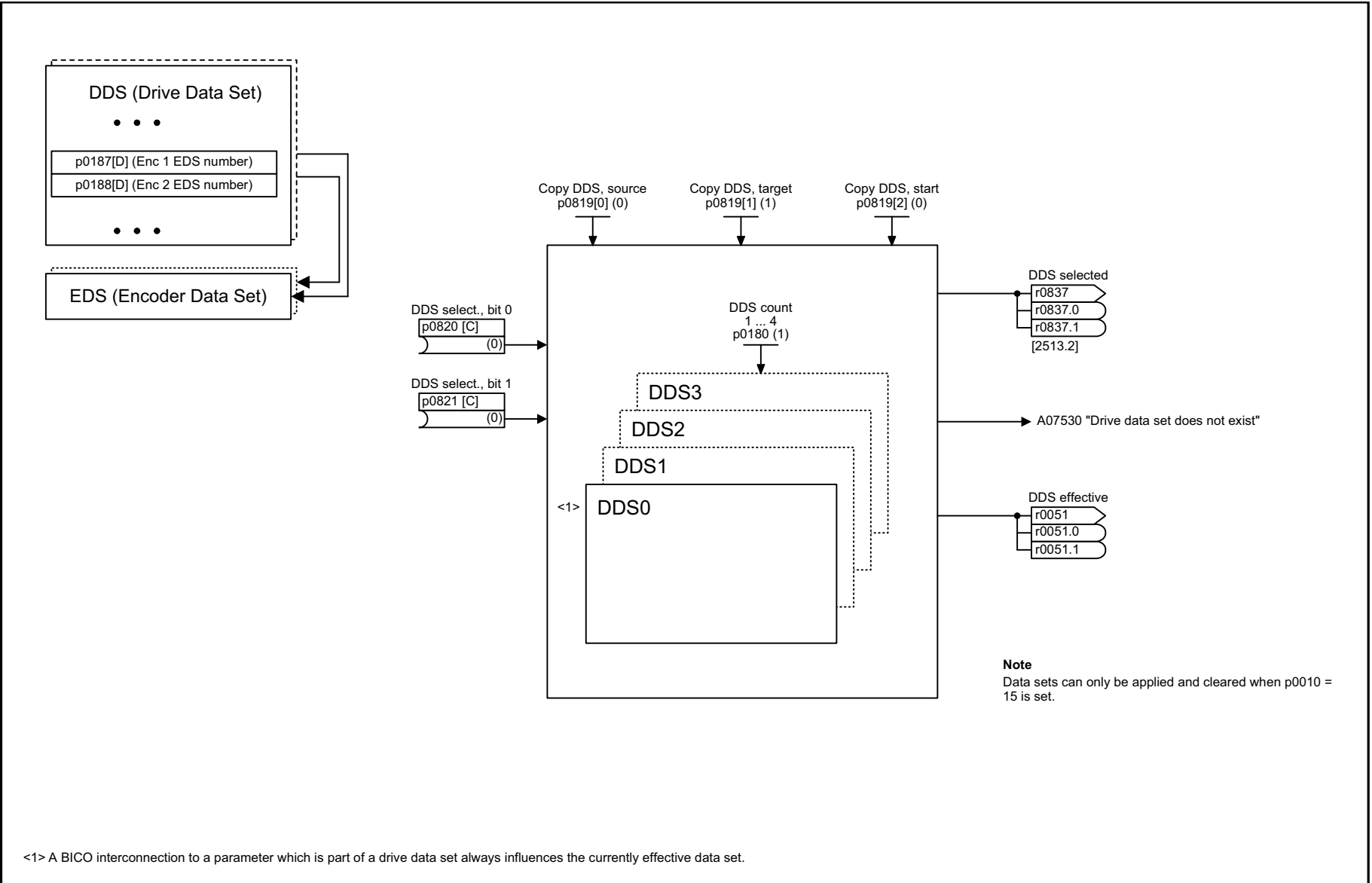


Fig. 3-195 8560 – Command Data Sets (CDS)

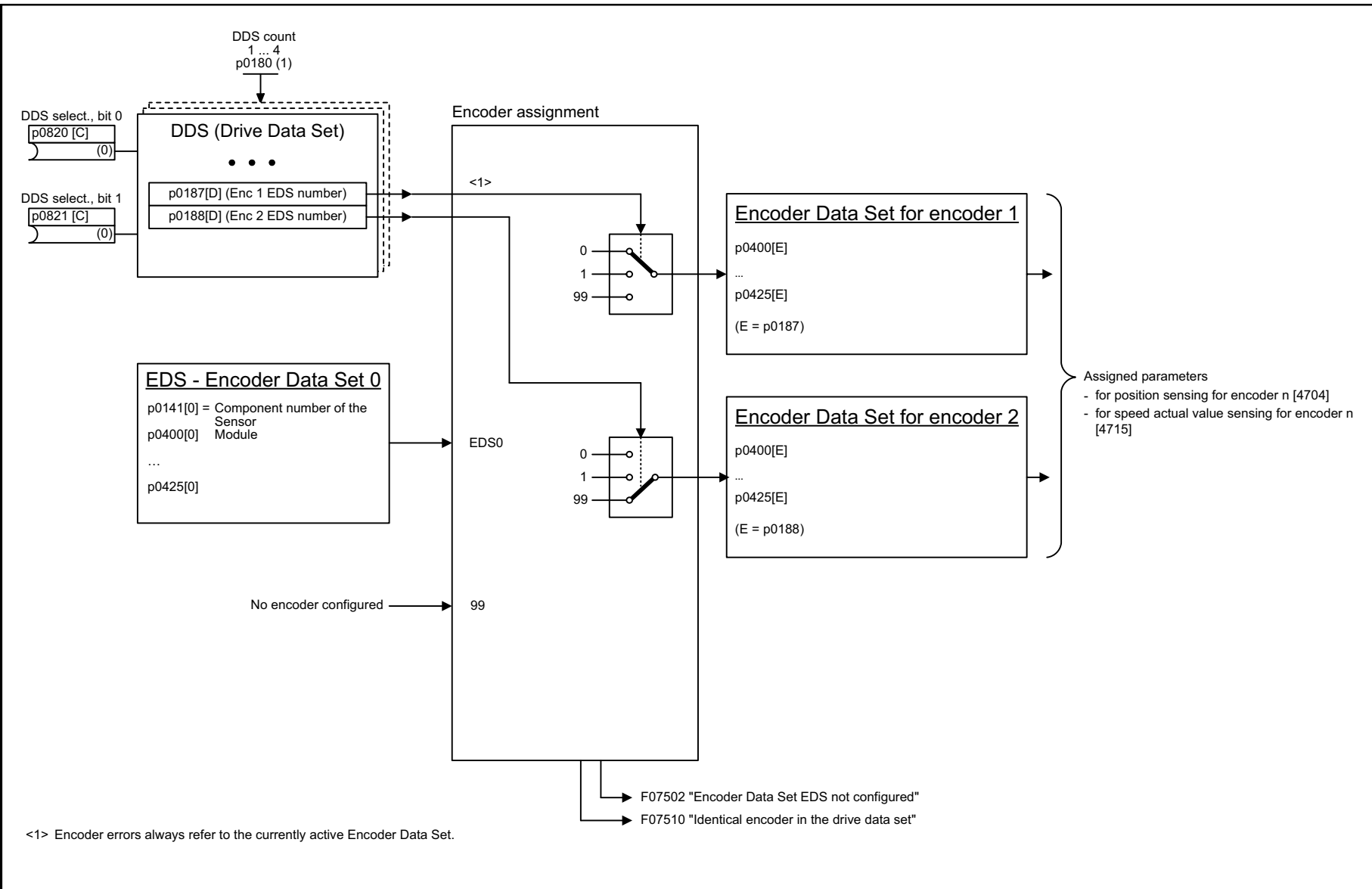
1	2	3	4	5	6	7	8
Data sets					fp_8560_97_51.vsd	Function diagram	
Command Data Sets (CDS)					08.04.2014 V4.7	G120 CU250S-2	
							- 8560 -



<1> A BICO interconnection to a parameter which is part of a drive data set always influences the currently effective data set.

1	2	3	4	5	6	7	8
Data sets					fp_8565_97_03.vsd	Function diagram	
Drive Data Sets (DDS)					08.04.2014 V4.7	G120 CU250S-2	
- 8565 -							

Fig. 3-196 8565 – Drive Data Sets (DDS)



1	2	3	4	5	6	7	8
Data sets					fp_8570_97_03.vsd	Function diagram	
Encoder Data Sets (EDS)					08.04.2014 V4.7	G120 CU250S-2	
- 8570 -							

Fig. 3-197 8570 – Encoder Data Sets (EDS)

Faults and alarms

Content

4.1	Overview of faults and alarms	910
4.2	List of faults and alarms	922

4.1 Overview of faults and alarms

4.1.1 General information

Fault and alarm displays (messages)

In the case of a fault, the drive signals the corresponding fault(s) and/or alarm(s).

For example, the following methods for displaying faults and alarms are available:

- Display via the fault and alarm buffer with PROFIBUS/PROFINET
- Display online via the commissioning software
- Display and operating unit (e.g. BOP, AOP)

Differences between faults and alarms

The differences between faults and alarms are as follows:

Table 4-1 Differences between faults and alarms

Type	Description
Faults	<p>What happens when a fault occurs?</p> <ul style="list-style-type: none"> • The appropriate fault reaction is initiated. • Status bit ZSW1.3 is set. • The fault is entered into the fault buffer. <p>How are faults eliminated?</p> <ul style="list-style-type: none"> • Remove the original cause of the fault. • Acknowledge the fault.
Alarms	<p>What happens when an alarm occurs?</p> <ul style="list-style-type: none"> • Status signal ZSW1.7 is set. • The alarm is entered into the alarm buffer. <p>How are alarms removed?</p> <ul style="list-style-type: none"> • Alarms acknowledge themselves. If the cause of the alarm is no longer present, they automatically reset themselves.

Fault reactions

The following fault reactions are defined:

Table 4-2 Fault reactions

List	PROFIdrive	Reaction	Description
NONE	-	None	<p>No reaction when a fault occurs.</p> <p>Note: With "Basic positioner" (r0108.4 = 1), the following applies: When a fault occurs with fault reaction "NONE", an active traversing task is interrupted and the system switches to tracking mode until the fault has been rectified and acknowledged.</p>
OFF1	ON/ OFF	Brake along the ramp-function generator down ramp followed by pulse inhibit	<p>Closed-loop speed control (p1300 = 20, 21)</p> <ul style="list-style-type: none"> • n_set = 0 is input immediately to brake the drive along the ramp-function generator ramp down (p1121). • When zero speed is detected, the motor holding brake (if parameterized) is closed (p1215). The pulses are suppressed when the brake application time (p1217) expires. Zero speed is detected if the actual speed drops below the threshold in p1226 or if the monitoring time (p1227) started when speed setpoint <= speed threshold (p1226) has expired. <p>Torque control (p1300 = 22, 23)</p> <ul style="list-style-type: none"> • The following applies for torque control: Reaction as for OFF2. • When the system switches to torque control with p1501, the following applies: No separate braking reaction. If the actual speed value drops below the speed threshold (p1226) or the timer stage (p1227) has expired, the motor holding brake (if one is being used) is closed. The pulses are suppressed when the brake application time (p1217) expires.
OFF1_ DELAYED	-	As for OFF1, however delayed	<p>Faults with this fault response only become effective after the delay time in p3136 has expired. The remaining time up to OFF1 is displayed in r3137.</p>
OFF2	COAST STOP	Internal/external pulse inhibit	<p>Closed-loop speed and torque control</p> <ul style="list-style-type: none"> • Instantaneous pulse suppression, the drive "coasts" to a standstill. • The motor holding brake (if one is being used) is closed immediately. • Switching on inhibited is activated.

4 Faults and alarms

4.1 Overview of faults and alarms

Table 4-2 Fault reactions, continued

List	PROFIdrive	Reaction	Description
OFF3	QUICK STOP	Braking along the OFF3 down ramp followed by pulse inhibit	<p>Closed-loop speed control (p1300 = 20, 21)</p> <ul style="list-style-type: none"> n_set = 0 is input immediately to brake the drive along the OFF3 ramp down (p1135). When zero speed is detected, the motor holding brake (if parameterized) is closed. The pulses are suppressed when the closing time of the holding brake (p1217) expires. <p>Zero speed is detected if the actual speed drops below the threshold in p1226 or if the monitoring time (p1227) started when speed setpoint <= speed threshold (p1226) has expired.</p> <ul style="list-style-type: none"> Switching on inhibited is activated. <p>Torque control (p1300 = 22, 23)</p> <ul style="list-style-type: none"> Changeover to speed-controlled operation and other reactions as described for speed-controlled operation.
STOP2	-	n_set = 0	<ul style="list-style-type: none"> n_set = 0 is input immediately to brake the drive along the OFF3 ramp down (p1135). The drive remains in closed-loop speed control.
IASC/DCBRK	-	-	<ul style="list-style-type: none"> For synchronous motors, the following applies: If a fault occurs with this fault reaction, an internal armature short-circuit is triggered. The conditions for p1231 = 4 must be observed. For induction motors, the following applies: If a fault occurs with this fault reaction, DC braking is triggered. DC braking must have been commissioned (p1230 to p1239).
ENCODER	-	Internal/external pulse inhibit (p0491)	<p>The fault reaction ENCODER is applied as a function of the setting in p0491.</p> <p>Factory setting: p0491 = 0 --> Encoder fault causes OFF2</p> <p>Notice:</p> <p>When changing p0491, it is imperative that the information in the description of this parameter is carefully observed.</p>

Acknowledging faults

The list of faults and alarms specifies how to acknowledge each fault after the cause has been remedied.

Table 4-3 Acknowledging faults

Acknowledgment	Description
POWER ON	<p>The fault is acknowledged via a POWER ON (switch Control Unit off and on again).</p> <p>Note: If this action has not removed the fault cause, the fault is displayed again immediately after power up.</p>
IMMEDIATELY	<p>Faults can be acknowledged as follows:</p> <ol style="list-style-type: none"> 1 Set acknowledgment by parameter: p3981 = 0 --> 1 2 Acknowledging via binector inputs: <ul style="list-style-type: none"> p2103 BI: 1. Acknowledge faults p2104 BI: 2. Acknowledge faults p2105 BI: 3. Acknowledge faults 3 Acknowledging using a PROFIBUS control signal: STW1.7 = 0 --> 1 (edge) <p>Note:</p> <ul style="list-style-type: none"> • These faults can also be acknowledged by a POWER ON. • If the cause of the fault has not been removed, the fault will continue to be displayed after acknowledgment. • Safety Integrated faults The "Safe Torque Off" (STO) function must be deselected before these faults are acknowledged.
PULSE INHIBIT	<p>The fault can only be acknowledged when the pulses are inhibited (r0899.11 = 0).</p> <p>The same options are available for acknowledging as described under acknowledge IMMEDIATELY.</p>

4.1.2 Explanation of the list of faults and alarms

The data in the following example have been chosen at random. The information listed below is the maximum amount of information that a description can contain. Some of the information is optional.

The "List of faults and alarms" (Page 922) has the following layout:

----- **Start of example** -----

Axxxxx (F, N)	Fault location (optional): Name
Message class:	Text of the message class (number according to PROFIdrive)
Reaction:	NONE
Acknowledgement:	NONE
Cause:	Description of possible causes. Fault value (r0949, interpret format): or alarm value (r2124, interpret format): (optional) Information about fault or alarm values (optional).
Remedy:	Description of possible remedies.

----- **End of example** -----

Axxxxx	Alarm xxxxx
Axxxxx (F, N)	Alarm xxxxx (message type can be changed to F or N)
Fxxxxx	Fault xxxxx
Fxxxxx (A, N)	Fault xxxxx (report type can be changed to A or N)
Nxxxxx	No message
Nxxxxx (A)	No message (message type can be changed to A)
Cxxxxx	Safety message (separate message buffer)

A message comprises a letter followed by the relevant number.

The meaning of the letters is as follows:

- A means "Alarm"
- F means "Fault"
- N means "No message" or "Internal message"
- C means "Safety message"

The optional brackets indicate whether the type specified for this message can be changed and which message types can be adjusted via parameters (p2118, p2119).

Information on reaction and acknowledgment is specified independently for a message with an adjustable message type (e.g. reaction to F, acknowledgment for F).

Note

You can change the default properties of a fault or alarm by setting parameters.

References: /BA13/ SINAMICS G120 Operating Instructions, Frequency Inverter with CU250S-2 Control Units (Vector), Section "Alarms, faults, and system messages"

The "List of faults and alarms" (Page 922) supplies information referred to the properties of a message set as default. If the properties of a specific message are changed, the corresponding information may have to be modified in this list.

Fault location (optional): Name

The fault location (optional), the name of the fault or alarm and the message number are all used to identify the message (e.g. with the commissioning software).

Message value:

The information provided under the message value informs you about the composition of the fault/alarm value.

Example:

Message value: Component number: %1, fault cause: %2

This message value contains information about the component number and cause of the fault. The entries %1 and %2 are placeholders, which are filled appropriately in online operation (e.g. with the commissioning software).

Message class:

For each message, specifies the associated message class with the following structure:

Text of the message class (number according to PROFIdrive)

The message classes are transferred at different interfaces to higher-level control systems and their associated display and operating units.

The message classes that are available are shown in Table "Message classes and coding of various diagnostic interfaces" (Page 916). In addition to the text of the message class and their number according to PROFIdrive – as well as a brief help text regarding the cause and remedy – they also include information about the various diagnostic interfaces:

- PN (hex)
 - Specifies the "Channel error type" of the PROFINET channel diagnostics.
 - When activating the channel diagnostics, using the GSDML file, the texts listed in the table can be displayed.
- DS1 (dec)
 - Specifies the bit number in data set DS1 of the diagnostic alarm for SIMATIC S7.
 - When the diagnostic alarms are activated, the texts listed in the table can be displayed.
- DP (dec)
 - Specifies the "Error type" of the channel-related diagnostics for PROFIBUS.
 - When the channel diagnostics are activated, the texts listed in the standard and the GSD file can be displayed.
- ET 200 (dec)
 - Specifies the "Error type" of the channel-related diagnostics for the SIMATIC ET 200pro FC-2 device.
 - When the channel diagnostics are activated, the texts listed in the standard and the GSD file of the ET 200pro can be displayed.
- NAMUR (r3113.x)
 - Specifies the bit number in parameter r3113.

4 Faults and alarms

4.1 Overview of faults and alarms

For the interfaces DP, ET 200, NAMUR, in some instances, the message classes are combined.

Table 4-4 Message classes and coding of various diagnostic interfaces

Text of the message class (number according to PROFIdrive) Cause and remedy.	Diagnostics interface				
	PN (hex)	DS1 (dec)	DP (dec)	ET 200 (dec)	NAMUR (r3113.x)
Hardware/software errors (1) A hardware or software malfunction was detected. Carry out a POWER ON for the relevant component. If it occurs again, contact the hotline.	9000	0	16	9	0
Line fault (2) A line supply fault has occurred (phase failure, voltage level ...). Check the line supply and fuses. Check the supply voltage. Check the wiring.	9001	1	17	24	1
Supply voltage fault (3) An electronics supply voltage fault (48 V, 24 V, 5 V ...) was detected. Check the wiring. Check the voltage level.	9002	2	2 ¹ 3 ²	2 ¹ 3 ²	15
DC-link overvoltage (4) The DC-link voltage has assumed an inadmissibly high value. Check the dimensioning of the system (line supply, reactor, voltages). Check the infeed settings.	9003	3	18	24	2
Power electronics fault (5) An impermissible operating state of the power electronics was detected (overcurrent, overtemperature, IGBT failure ...). Check compliance with the permissible load cycles. Check the ambient temperatures (fan).	9004	4	19	24	3
Overtemperature of the electronic component (6) The temperature in the component has exceeded the highest permissible limit. Check the ambient temperature / control cabinet ventilation.	9005	5	20	5	4
Ground fault / inter-phase short-circuit detected (7) A ground fault / inter-phase short-circuit was detected in the power cables or in the motor windings. Check the power cables (connection). Check the motor.	9006	6	21	20	5
Motor overload (8) The motor was operated outside the permissible limits (temperature, current, torque ...). Check the load cycles and set limits. Check the ambient temperature / motor cooling.	9007	7	22	24	6
Communication to the higher-level controller faulted (9) The communication to the higher-level controller (internal coupling, PROFIBUS, PROFINET ...) is faulted or interrupted. Check the state of the higher-level controller. Check the communication connection/-wiring. Check the bus configuration/cycles.	9008	8	23	19	7
Safety monitoring channel has detected an error (10) A safe operation monitoring function has detected an error.	9009	9	24	25	8

Table 4-4 Message classes and coding of various diagnostic interfaces, continued

Text of the message class (number according to PROFIdrive) Cause and remedy.	Diagnostics interface				
	PN (hex)	DS1 (dec)	DP (dec)	ET 200 (dec)	NAMUR (r3113.x)
Actual position/speed value incorrect or not available (11) An illegal signal state was detected while evaluating the encoder signals (track signals, zero marks, absolute values ...). Check the encoder / state of the encoder signals. Observe the maximum permissible frequencies.	900A	10	25	29	9
Internal (DRIVE-CLiQ) communication faulted (12) The internal communication between the SINAMICS components is faulted or interrupted. Check the DRIVE-CLiQ wiring. Ensure an EMC-compliant installation. Observe the maximum permissible quantity structures / cycles.	900B	11	26	31	10
Infeed fault (13) The infeed is faulty or has failed. Check the infeed and its environment (line supply, filters, reactors, fuses ...). Check the infeed control.	900C	12	27	24	11
Braking controller / Braking Module faulted (14) The internal or external Braking Module is faulted or overloaded (temperature). Check the connection/state of the Braking Module. Comply with the permissible number of braking operations and their duration.	900D	13	28	24	15
Line filter fault (15) The line filter monitoring has detected an excessively high temperature or another impermissible state. Check the temperature / temperature monitoring. Check the configuration to ensure that it is permissible (filter type, infeed, thresholds).	900E	14	17	24	15
External measured value / signal state outside of the permissible range (16) A measured value / signal state read in via the input area (digital/analog/temperature) has assumed an impermissible value/state. Identify and check the relevant signal. Check the set thresholds.	900F	15	29	26	15
Application / technological function faulty (17) The application / technological function has exceeded a (set) limit (position, velocity, torque ...). Identify and check the relevant limit. Check the setpoint specification of the higher-level controller.	9010	16	30	9	15
Error in the parameterization/configuration/commissioning procedure (18) An error was identified in the parameterization or in a commissioning procedure, or the parameterization does not match the actual device configuration. Determine the precise cause of the fault using the commissioning tool. Adapt the parameterization or device configuration.	9011	17	31	16	15

Table 4-4 Message classes and coding of various diagnostic interfaces, continued

Text of the message class (number according to PROFIdrive) Cause and remedy.	Diagnostics interface				
	PN (hex)	DS1 (dec)	DP (dec)	ET 200 (dec)	NAMUR (r3113.x)
General drive fault (19) Group fault. Determine the precise cause of the fault using the commissioning tool.	9012	18	9	9	15
Auxiliary unit fault (20) The monitoring of an auxiliary unit (incoming transformer, cooling unit ...) has detected an illegal state. Determine the exact cause of the fault and check the relevant device.	9013	19	29	26	15

1. Undervoltage condition of the electronics power supply
2. Overvoltage condition of the electronics power supply

Drive object:

Each message (fault/alarm) specifies the control mode (CU-variant) in which it can be found. A message can belong to one, several, or all CU -variants.

Reaction: Default fault reaction (adjustable fault reaction)

Specifies the default reaction in the event of a fault.

The optional parentheses indicate whether the default fault reactions can be changed and which fault reactions can be adjusted via parameters (p2100, p2101).

Note

See Table "Fault reactions" (Page 911)

Acknowledgment: Default acknowledgment (adjustable acknowledgment)

Specifies the default method of acknowledging faults after the cause has been eliminated.

The optional parentheses indicate whether the default acknowledgment can be changed and which acknowledgment can be adjusted via parameters (p2126, p2127).

Note

See Table "Acknowledging faults" (Page 913)

Cause:

Describes the possible causes of the fault or alarm. A fault or alarm value can also be specified (optional).

Fault value (r0949, format):

The fault value is entered into the fault buffer in r0949[0...63] and specifies additional, more precise information about a fault.

Alarm value (r2124, format):

The alarm value specifies additional, more precise information about an alarm.

The alarm value is entered in the alarm buffer in r2124[0...63] and specifies additional, more precise information about an alarm.

Remedy:

Describes the methods available for eliminating the cause of the active fault or alarm.

**WARNING**

On a case for case basis, service and maintenance personnel are responsible for choosing a suitable method for eliminating the cause of faults.

4.1.3 Number ranges of faults and alarms

Note

The following number ranges represent an overview of all faults and alarms used in the SINAMICS drive family.

The faults and alarms for the product described in this List Manual are described in detail in "List of faults and alarms" (Page 922).

Faults and alarms are organized into the following number ranges:

Table 4-5 Number ranges of faults and alarms

of	To	Area
1000	3999	Control Unit
4000	4999	Reserved
5000	5999	Power section
6000	6899	Infeed
6900	6999	Braking Module
7000	7999	Drive
8000	8999	Option Board
9000	12999	Reserved
13000	13020	Licensing
13021	13099	Reserved
13100	13102	Know-how protection
13103	19999	Reserved
20000	29999	OEM
30000	30999	DRIVE-CLiQ component power unit
31000	31999	DRIVE-CLiQ component encoder 1
32000	32999	DRIVE-CLiQ component encoder 2 Note Faults that occur are automatically output as an alarm if the encoder is parameterized as a direct measuring system and does not intervene in the motor control.
33000	33999	DRIVE-CLiQ component encoder 3 Note Faults that occur are automatically output as an alarm if the encoder is parameterized as a direct measuring system and does not intervene in the motor control.
34000	34999	Voltage Sensing Module (VSM)
35000	35199	Terminal Module 54F (TM54F)
35200	35999	Terminal Module 31 (TM31)
36000	36999	DRIVE-CLiQ Hub Module
37000	37999	HF Damping Module

Table 4-5 Number ranges of faults and alarms, continued

of	To	Area
40000	40999	Controller Extension 32 (CX32)
41000	48999	Reserved
49000	49999	SINAMICS GM/SM/GL
50000	50499	Communication Board (COMM BOARD)
50500	59999	OEM Siemens
60000	65535	SINAMICS DC MASTER (closed-loop DC current control)

4.2 List of faults and alarms

Product: SINAMICS G120S, Version: 4702900, Language: eng
Objects: CU250S_V, CU250S_V_CAN, CU250S_V_DP, CU250S_V_PN

F01000	Internal software error
Message class:	Hardware / software error (1)
Reaction:	OFF2
Acknowledge:	POWER ON
Cause:	An internal software error has occurred. Fault value (r0949, interpret hexadecimal): Only for internal Siemens troubleshooting.
Remedy:	<ul style="list-style-type: none">- evaluate fault buffer (r0945).- carry out a POWER ON (power off/on) for all components.- if required, check the data on the non-volatile memory (e.g. memory card).- upgrade firmware to later version.- contact the Hotline.- replace the Control Unit.

F01001	FloatingPoint exception
Message class:	Hardware / software error (1)
Reaction:	OFF2
Acknowledge:	POWER ON
Cause:	An exception occurred during an operation with the FloatingPoint data type. The error may be caused by the basic system or an OA application (e.g., FBLOCKS, DCC). Fault value (r0949, interpret hexadecimal): Only for internal Siemens troubleshooting. Note: Refer to r9999 for further information about this fault. r9999[0]: Fault number. r9999[1]: Program counter at the time when the exception occurred. r9999[2]: Cause of the FloatingPoint exception. Bit 0 = 1: Operation invalid Bit 1 = 1: Division by zero Bit 2 = 1: Overflow Bit 3 = 1: Underflow Bit 4 = 1: Inaccurate result
Remedy:	<ul style="list-style-type: none">- carry out a POWER ON (power off/on) for all components.- check configuration and signals of the blocks in FBLOCKS.- check configuration and signals of DCC charts.- upgrade firmware to later version.- contact the Hotline.

F01002	Internal software error
Message class:	Hardware / software error (1)
Reaction:	OFF2
Acknowledge:	IMMEDIATELY
Cause:	An internal software error has occurred. Fault value (r0949, interpret hexadecimal): Only for internal Siemens troubleshooting.
Remedy:	<ul style="list-style-type: none">- carry out a POWER ON (power off/on) for all components.- upgrade firmware to later version.- contact the Hotline.

F01003 Acknowledgement delay when accessing the memory

Message class: Hardware / software error (1)
Reaction: OFF2
Acknowledge: IMMEDIATELY
Cause: A memory area was accessed that does not return a "READY".
Fault value (r0949, interpret hexadecimal):
Only for internal Siemens troubleshooting.
Remedy: - carry out a POWER ON (power off/on) for all components.
- contact the Hotline.

N01004 (F, A) Internal software error

Message class: Hardware / software error (1)
Reaction: NONE
Acknowledge: NONE
Cause: An internal software error has occurred.
Fault value (r0949, hexadecimal):
Only for internal Siemens troubleshooting.
Remedy: - read out diagnostics parameter (r9999).
- contact the Hotline.
See also: r9999 (Software error internal supplementary diagnostics)

F01005 File upload/download error

Message class: Hardware / software error (1)
Reaction: NONE
Acknowledge: IMMEDIATELY
Cause: The upload or download of EEPROM data was unsuccessful.
Fault value (r0949, interpret hexadecimal):
yyxxxx hex: yy = component number, xxxx = fault cause
xxxx = 000B hex = 11 dec:
Power unit component has detected a checksum error.
xxxx = 000F hex = 15 dec:
The selected power unit will not accept the content of the EEPROM file.
xxxx = 0011 hex = 17 dec:
Power unit component has detected an internal access error.
xxxx = 0012 hex = 18 dec:
After several communication attempts, no response from the power unit component.
xxxx = 008B hex = 140 dec:
EEPROM file for the power unit component not available on the memory card.
xxxx = 008D hex = 141 dec:
An inconsistent length of the firmware file was signaled. It is possible that the download/upload has been interrupted.
xxxx = 0090 hex = 144 dec:
When checking the file that was loaded, the component detected a fault (checksum). It is possible that the file on the memory card is defective.
xxxx = 0092 hex = 146 dec:
This SW or HW does not support the selected function.
xxxx = 009C hex = 156 dec:
Component with the specified component number is not available (p7828).
xxxx = Additional values:
Only for internal Siemens troubleshooting.
Remedy: Save a suitable firmware file or EEPROM file for upload or download in folder "/ee_sac/" on the memory card.

A01006	Firmware update for DRIVE-CLiQ component required
Message class:	General drive fault (19)
Reaction:	NONE
Acknowledge:	NONE
Cause:	The firmware of a DRIVE-CLiQ component must be updated as there is no suitable firmware or firmware version in the component for operation with the Control Unit. Alarm value (r2124, interpret decimal): Component number of the DRIVE-CLiQ component.
Remedy:	Firmware update using the commissioning software: The firmware version of all of the components on the "Version overview" page can be read in the Project Navigator under "Configuration" of the associated drive unit and an appropriate firmware update can be carried out. Firmware update via parameter: - take the component number from the alarm value and enter into p7828. - start the firmware download with p7829 = 1.
A01007	POWER ON for DRIVE-CLiQ component required
Message class:	General drive fault (19)
Reaction:	NONE
Acknowledge:	NONE
Cause:	A DRIVE-CLiQ component must be powered up again (POWER ON) (e.g. due to a firmware update). Alarm value (r2124, interpret decimal): Component number of the DRIVE-CLiQ component. Note:
Remedy:	For a component number = 1, a POWER ON of the Control Unit is required. - Switch off the power supply of the specified DRIVE-CLiQ component and switch it on again. - For SINUMERIK, auto commissioning is prevented. In this case, a POWER ON is required for all components and the auto commissioning must be restarted.
A01009 (N)	CU: Control module overtemperature
Message class:	Overtemperature of the electronic components (6)
Reaction:	NONE
Acknowledge:	NONE
Cause:	The temperature (r0037[0]) of the control module (Control Unit) has exceeded the specified limit value.
Remedy:	- check the air intake for the Control Unit. - check the Control Unit fan. Note: The alarm automatically disappears after the limit value has been undershot.
F01010	Drive type unknown
Message class:	Error in the parameterization / configuration / commissioning procedure (18)
Reaction:	NONE
Acknowledge:	IMMEDIATELY
Cause:	An unknown drive type was found.
Remedy:	- replace Power Module. - carry out a POWER ON (power off/on). - upgrade firmware to later version. - contact the Hotline.
F01015	Internal software error
Message class:	Hardware / software error (1)
Reaction:	OFF2
Acknowledge:	POWER ON
Cause:	An internal software error has occurred. Fault value (r0949, interpret decimal): Only for internal Siemens troubleshooting.

Remedy:

- carry out a POWER ON (power off/on) for all components.
- upgrade firmware to later version.
- contact the Hotline.

A01016 (F) Firmware changed

Message class: Hardware / software error (1)

Reaction: NONE

Acknowledge: NONE

Cause: At least one firmware file in the directory was illegally changed on the non-volatile memory (memory card/device memory) with respect to the version when shipped from the factory.

Alarm value (r2124, interpret decimal):

0: Checksum of one file is incorrect.

1: File missing.

2: Too many files.

3: Incorrect firmware version.

4: Incorrect checksum of the back-up file.

Remedy: For the non-volatile memory for the firmware (memory card/device memory), restore the delivery condition.

Note:

The file involved can be read out using parameter r9925.

The status of the firmware check is displayed using r9926.

See also: r9925 (Firmware file incorrect), r9926 (Firmware check status)

A01017 Component lists changed

Message class: Hardware / software error (1)

Reaction: NONE

Acknowledge: NONE

Cause: On the memory card, one file in the directory /SIEMENS/SINAMICS/DATA or /ADDON/SINAMICS/DATA has been illegally changed with respect to that supplied from the factory. No changes are permitted in this directory.

Alarm value (r2124, interpret decimal):

zyx dec: x = Problem, y = Directory, z = File name

x = 1: File does not exist.

x = 2: Firmware version of the file does not match the software version.

x = 3: File checksum is incorrect.

y = 0: Directory /SIEMENS/SINAMICS/DATA/

y = 1: Directory /ADDON/SINAMICS/DATA/

z = 0: File MOTARM.ACX

z = 1: File MOTSRM.ACX

z = 2: File MOTSLM.ACX

z = 3: File ENCDATA.ACX

z = 4: File FILTDATA.ACX

z = 5: File BRKDATA.ACX

z = 6: File DAT_BEAR.ACX

z = 7: File CFG_BEAR.ACX

Remedy: For the file on the memory card involved, restore the status originally supplied from the factory.

F01018 Booting has been interrupted several times

Message class: Hardware / software error (1)

Reaction: NONE

Acknowledge: POWER ON

Cause: Module booting was interrupted several times. As a consequence, the module boots with the factory setting.

Possible reasons for booting being interrupted:

- power supply interrupted.

- CPU crashed.

- parameterization invalid.

4 Faults and alarms

4.2 List of faults and alarms

Remedy:

- carry out a POWER ON (power off/on). After switching on, the module reboots from the valid parameterization (if available).
- restore the valid parameterization.

Examples:

- Carry out a first commissioning, save, carry out a POWER ON (switch-off/switch-on).
- Load another valid parameter backup (e.g. from the memory card), save, carry out a POWER ON (switch-off/switch-on).

Note:

If the fault situation is repeated, then this fault is again output after several interrupted boots.

A01019 Writing to the removable data medium unsuccessful

Message class: Hardware / software error (1)
Reaction: NONE
Acknowledge: NONE
Cause: The write access to the removable data medium was unsuccessful.
Remedy: Remove and check the removable data medium. Then run the data backup again.

A01020 Writing to RAM disk unsuccessful

Message class: Hardware / software error (1)
Reaction: NONE
Acknowledge: NONE
Cause: A write access to the internal RAM disk was unsuccessful.
Remedy: Adapt the file size for the system logbook to the internal RAM disk (p9930).
See also: p9930 (System logbook activation)

A01021 Removable data medium as USB data storage medium from the PC used

Message class: General drive fault (19)
Reaction: NONE
Acknowledge: NONE
Cause: The removable data medium is used as USB data storage medium from a PC
As a consequence, the drive cannot access the removable data medium. When backing up, the configuration data cannot be saved on the removable data medium.
Fault value (r0949, interpret decimal):
1: The know-how protection as well as the copy protection for the removable data medium is active. Backup is inhibited.
2: The configuration data are only backed up in the Control Unit.
See also: r7760 (Write protection/know-how protection status), r9401 (Safely remove memory card status)
Remedy: Deactivate the USB connection to the PC and back up the configuration data.
Note:
The alarm is automatically canceled when disconnecting the USB connection or when removing the removable data medium.
See also: r9401 (Safely remove memory card status)

F01023 Software timeout (internal)

Message class: Hardware / software error (1)
Reaction: NONE
Acknowledge: IMMEDIATELY
Cause: An internal software timeout has occurred.
Fault value (r0949, interpret decimal):
Only for internal Siemens troubleshooting.
Remedy:

- carry out a POWER ON (power off/on) for all components.
- upgrade firmware to later version.
- contact the Hotline.

A01028 (F)	Configuration error
Message class:	Error in the parameterization / configuration / commissioning procedure (18)
Reaction:	NONE
Acknowledge:	NONE
Cause:	The parameterization that was downloaded was generated with a different module type (Order No., MLFB).
Remedy:	Save parameters in a non-volatile fashion (p0971 = 1).
F01030	Sign-of-life failure for master control
Message class:	Communication error to the higher-level control system (9)
Reaction:	OFF3 (IASC/DCBRK, NONE, OFF1, OFF2, STOP2)
Acknowledge:	IMMEDIATELY
Cause:	For active PC master control, no sign-of-life was received within the monitoring time. The master control was returned to the active BICO interconnection.
Remedy:	Set the monitoring time higher at the PC or, if required, completely disable the monitoring function. For the commissioning software, the monitoring time is set as follows: <Drive> -> Commissioning -> Control panel -> Button "Fetch master control" -> A window is displayed to set the monitoring time in milliseconds. Notice: The monitoring time should be set as short as possible. A long monitoring time means a late response when the communication fails!
F01033	Units changeover: Reference parameter value invalid
Message class:	Error in the parameterization / configuration / commissioning procedure (18)
Reaction:	NONE
Acknowledge:	IMMEDIATELY
Cause:	When changing over the units to the referred representation type, it is not permissible for any of the required reference parameters to be equal to 0.0 Fault value (r0949, parameter): Reference parameter whose value is 0.0. See also: p0505 (Selecting the system of units), p0595 (Technological unit selection)
Remedy:	Set the value of the reference parameter to a number different than 0.0. See also: p0304, p0305, p0310, p0596, p2000, p2001, p2002, p2003, r2004
F01034	Units changeover: Calculation parameter values after reference value change unsuccessful
Message class:	Error in the parameterization / configuration / commissioning procedure (18)
Reaction:	NONE
Acknowledge:	IMMEDIATELY
Cause:	The change of a reference parameter meant that for an involved parameter the selected value was not able to be re-calculated in the per unit representation. The change was rejected and the original parameter value restored. Fault value (r0949, parameter): Parameter whose value was not able to be re-calculated. See also: p0304, p0305, p0310, p0596, p2000, p2001, p2002, p2003, r2004
Remedy:	- Select the value of the reference parameter such that the parameter involved can be calculated in the per unit representation. - Technology unit selection (p0595) before changing the reference parameter p0596, set p0595 = 1. See also: p0304, p0305, p0310, p0596, p2000, p2001, p2002, p2003, r2004
A01035 (F)	ACX: Parameter back-up file corrupted
Message class:	Hardware / software error (1)
Reaction:	NONE
Acknowledge:	NONE
Cause:	When the Control Unit is booted, no complete data set was found from the parameter back-up files. The last time that the parameterization was saved, it was not completely carried out. It is possible that the backup was interrupted by switching off or withdrawing the memory card.

Alarm value (r2124, interpret hexadecimal):

ddccbbaa hex:

aa = 01 hex:

Power up was realized without data backup. The drive is in the factory setting.

aa = 02 hex:

The last available internal backup data record was loaded. The parameterization must be checked. It is recommended that the parameterization is downloaded again.

aa = 03 hex:

The last available data record from the memory card was loaded. The parameterization must be checked.

aa = 04 hex:

An invalid data backup was loaded from the memory card into the drive. The drive is in the factory setting.

dd, cc, bb:

Only for internal Siemens troubleshooting.

See also: p0971 (Save parameters)

Remedy:

- Download the project again with the commissioning software.
- save all parameters (p0971 = 1 or "copy RAM to ROM").

F01036 (A) ACX: Parameter back-up file missing

Message class: Hardware / software error (1)

Reaction: NONE (OFF1, OFF2, OFF3)

Acknowledge: IMMEDIATELY

Cause: When downloading the device parameterization, a parameter back-up file PSxxxxxyy.ACX associated with a drive object cannot be found.

Fault value (r0949, interpret hexadecimal):

Byte 1: yyy in the file name PSxxxxxyy.ACX

yyy = 000 --> consistency back-up file

yyy = 001 ... 062 --> drive object number

yyy = 099 --> PROFIBUS parameter back-up file

Byte 2, 3, 4:

Only for internal Siemens troubleshooting.

Remedy: If you have saved the project data using the commissioning software, carry out a new download for your project.

Save using the function "Copy RAM to ROM" or with p0971 = 1

This means that the parameter files are again completely written into the non-volatile memory.

Note:

If the project data have not been backed up, then a new first commissioning is required.

F01038 (A) ACX: Loading the parameter back-up file unsuccessful

Message class: Hardware / software error (1)

Reaction: NONE (OFF1, OFF2, OFF3)

Acknowledge: IMMEDIATELY

Cause: An error has occurred when downloading PSxxxxxyy.ACX or PTxxxxxyy.ACX files from the non-volatile memory.

Fault value (r0949, interpret hexadecimal):

Byte 1: yyy in the file name PSxxxxxyy.ACX

yyy = 000 --> consistency back-up file

yyy = 001 ... 062 --> drive object number

yyy = 099 --> PROFIBUS parameter back-up file

Byte 2:

255: Incorrect drive object type.

254: Topology comparison unsuccessful -> drive object type was not able to be identified.

Reasons could be:

- Incorrect component type in the actual topology
- Component does not exist in the actual topology.
- Component not active.

Additional values:

Only for internal Siemens troubleshooting.

Byte 4, 3:
Only for internal Siemens troubleshooting.

- Remedy:**
- If you have saved the project data using the commissioning software, download the project again. Save using the function "Copy RAM to ROM" or with p0971 = 1 so that all of the parameter files are again completely written to the non-volatile memory.
 - replace the memory card or Control Unit.

F01039 (A) ACX: Writing to the parameter back-up file was unsuccessful

Message class: Hardware / software error (1)

Reaction: NONE (OFF1, OFF2, OFF3)

Acknowledge: IMMEDIATELY

Cause: Writing to at least one parameter back-up file PSxxxxxyy.*** in the non-volatile memory was unsuccessful.

- In the directory /USER/SINAMICS/DATA/ at least one parameter back-up file PSxxxxxyy.*** has the "read only" file attribute and cannot be overwritten.
- There is not sufficient free memory space available.
- The non-volatile memory is defective and cannot be written to.

Fault value (r0949, interpret hexadecimal):

dcba hex

a = yyy in the file names PSxxxxxyy.***

a = 000 --> consistency back-up file

a = 001 ... 062 --> drive object number

a = 099 --> PROFIBUS parameter back-up file

b = xxx in the file names PSxxxxxyy.***

b = 000 --> data save started with p0971 = 1

b = 010 --> data save started with p0971 = 10

b = 011 --> data save started with p0971 = 11

b = 012 --> data save started with p0971 = 12

d, c:

Only for internal Siemens troubleshooting.

- Remedy:**
- check the file attribute of the files (PSxxxxxyy.***, CAxxxxxyy.***, CCxxxxxyy.***) and, if required, change from "read only" to "writeable".
 - check the free memory space in the non-volatile memory. Approx. 80 kbyte of free memory space is required for every drive object in the system.
 - replace the memory card or Control Unit.

F01040 Save parameter settings and carry out a POWER ON

Message class: Error in the parameterization / configuration / commissioning procedure (18)

Reaction: OFF2

Acknowledge: POWER ON

Cause: A parameter has been changed that requires the parameters to be backed up and the Control Unit to be switched OFF and ON again.

- Remedy:**
- Save parameters (p0971).
 - carry out a POWER ON (power off/on) for the Control Unit.

F01042 Parameter error during project download

Message class: Error in the parameterization / configuration / commissioning procedure (18)

Reaction: OFF2 (NONE, OFF1, OFF3)

Acknowledge: IMMEDIATELY

Cause: An error was detected when downloading a project using the commissioning software (e.g. incorrect parameter value).
For the specified parameter, it was detected that dynamic limits were exceeded that may possibly depend on other parameters.

Fault value (r0949, interpret hexadecimal):

cbbaaaa hex

aaaa = Parameter

bb = Index

cc = fault cause

- 0: Parameter number illegal.
- 1: Parameter value cannot be changed.
- 2: Lower or upper value limit exceeded.
- 3: Sub-index incorrect.
- 4: No array, no sub-index.
- 5: Data type incorrect.
- 6: Setting not permitted (only resetting).
- 7: Descriptive element cannot be changed.
- 9: Descriptive data not available.
- 11: No master control.
- 15: No text array available.
- 17: Task cannot be executed due to operating state.
- 20: Illegal value.
- 21: Response too long.
- 22: Parameter address illegal.
- 23: Format illegal.
- 24: Number of values not consistent.
- 108: Unit unknown.

Additional values:

Only for internal Siemens troubleshooting.

- Remedy:**
- enter the correct value in the specified parameter.
 - identify the parameter that restricts the limits of the specified parameter.

F01043

Fatal error at project download

Message class: Error in the parameterization / configuration / commissioning procedure (18)

Reaction: OFF2 (OFF1, OFF3)

Acknowledge: IMMEDIATELY

Cause: A fatal error was detected when downloading a project using the commissioning software.

Fault value (r0949, interpret decimal):

1: Device status cannot be changed to Device Download (drive object ON?).

2: Incorrect drive object number.

8: Maximum number of drive objects that can be generated exceeded.

11: Error while generating a drive object (global component).

12: Error while generating a drive object (drive component).

13: Unknown drive object type.

14: Drive status cannot be changed to "ready for operation" (r0947 and r0949).

15: Drive status cannot be changed to drive download.

16: Device status cannot be changed to "ready for operation".

18: A new download is only possible if the factory settings are restored for the drive unit.

20: The configuration is inconsistent.

21: Error when accepting the download parameters.

22: SW-internal download error.

100: The download was canceled, because no write requests were received from the commissioning client (e.g. for communication error).

Additional values:

Only for internal Siemens troubleshooting.

- Remedy:**
- use the current version of the commissioning software.
 - modify the offline project and download again (e.g. compare the motor and Power Module in the offline project and on the drive).
 - change the drive state (is a drive rotating or is there a message/signal?).
 - carefully note any other messages/signals and remove their cause.
 - boot from previously saved files (switch-off/switch-on or p0970).

F01044	CU: Descriptive data error
Message class:	Hardware / software error (1)
Reaction:	OFF2
Acknowledge:	POWER ON
Cause:	An error was detected when loading the descriptive data saved in the non-volatile memory.
Remedy:	Replace the memory card or Control Unit.

A01045	Configuring data invalid
Message class:	Hardware / software error (1)
Reaction:	NONE
Acknowledge:	NONE
Cause:	An error was detected when evaluating the parameter files PSxxxxxyy.ACX, PTxxxxyy.ACX, CAxxxxyy.ACX, or CCxxxxyy.ACX saved in the non-volatile memory. Because of this, under certain circumstances, several of the saved parameter values were not able to be accepted. Also see r9406 up to r9408. Alarm value (r2124, interpret hexadecimal): Only for internal Siemens troubleshooting.
Remedy:	- Check the parameters displayed in r9406 up to r9408, and correct these if required. - Restore the factory setting using (p0970 = 1) and re-load the project into the drive unit. Then save the parameterization in STARTER using the "Copy RAM to ROM" function or with p0971 = 1. This overwrites the incorrect parameter files in the non-volatile memory – and the alarm is withdrawn.

A01049	It is not possible to write to file
Message class:	Hardware / software error (1)
Reaction:	NONE
Acknowledge:	NONE
Cause:	It is not possible to write into a write-protected file (PSxxxxxx.acx). The write request was interrupted. Alarm value (r2124, interpret decimal): Drive object number.
Remedy:	Check whether the "write protected" attribute has been set for the files in the non-volatile memory under .../USER/SINAMICS/DATA/... When required, remove write protection and save again (e.g. set p0971 to 1).

F01054	CU: System limit exceeded
Message class:	Error in the parameterization / configuration / commissioning procedure (18)
Reaction:	OFF2
Acknowledge:	IMMEDIATELY
Cause:	A system overload was identified as a result of too many functions requiring a lot of computation time. At least one of the following rules was not complied with: - it is not permissible to activate function module "Closed-loop position control" (r0108.3) in conjunction with "Free function blocks" (r0108.18). - it is not permissible to activate function module "Basic positioner" (r0108.4) in conjunction with "Free function blocks" (r0108.18). - when the function module "Free function blocks" is activated (r0108.18), only 1 speed encoder must be operated.
Remedy:	Configure the drive device corresponding to the rules listed under cause.

A01064 (F)	CU: Internal error (CRC)
Message class:	Hardware / software error (1)
Reaction:	NONE
Acknowledge:	NONE
Cause:	CRC error in the Control Unit program memory
Remedy:	- carry out a POWER ON (power off/on) for all components. - upgrade firmware to later version. - contact the Hotline.

A01066	Buffer memory: 70% fill level reached or exceeded
Message class:	General drive fault (19)
Reaction:	NONE
Acknowledge:	NONE
Cause:	The non-volatile buffer memory for parameter changes is filled to at least 70%. This can also occur if the buffer memory is active (p0014 = 1) and parameters are continually changed via a fieldbus system.
Remedy:	If required, de-activate and clear the buffer memory (p0014 = 0). If required, clear the buffer memory (p0014 = 2). In the following cases, the entries in the buffer memory are transferred into the ROM and then the buffer memory is cleared: - p0971 = 1 - power down/power up the Control Unit See also: p0014 (Buffer memory mode)

A01067	Buffer memory: 100 % fill level reached
Message class:	General drive fault (19)
Reaction:	NONE
Acknowledge:	NONE
Cause:	The non-volatile buffer memory for parameter changes is filled to 100%. All additional parameter changes will no longer be taken into account in the non-volatile buffer memory. However, parameter changes can still be made in the volatile memory (RAM). This can also occur if the buffer memory is active (p0014 = 1) and parameters are continually changed via a fieldbus system.
Remedy:	If required, de-activate and clear the buffer memory (p0014 = 0). If required, clear the buffer memory (p0014 = 2). In the following cases, the entries in the buffer memory are transferred into the ROM and then the buffer memory is cleared: - p0971 = 1 - power down/power up the Control Unit See also: p0014 (Buffer memory mode)

F01068	CU: Data memory memory overflow
Message class:	Error in the parameterization / configuration / commissioning procedure (18)
Reaction:	OFF2
Acknowledge:	IMMEDIATELY
Cause:	The utilization for a data memory area is too large. Fault value (r0949, interpret binary): Bit 0 = 1: High-speed data memory 1 overloaded Bit 1 = 1: High-speed data memory 2 overloaded Bit 2 = 1: High-speed data memory 3 overloaded Bit 3 = 1: High-speed data memory 4 overloaded
Remedy:	- de-activate the function module. - de-activate drive object. - remove the drive object from the target topology.

A01069	Parameter backup and device incompatible
Message class:	Error in the parameterization / configuration / commissioning procedure (18)
Reaction:	NONE
Acknowledge:	NONE
Cause:	The parameter backup (on the memory card or in the drive unit) and the drive device do not match. The module boots with the factory settings. Example: Devices A and B. are not compatible and a memory card with the parameter backup for device A is inserted in device B.

- Remedy:**
- insert a memory card with compatible parameter backup and carry out a POWER ON.
 - insert a memory card without parameter backup and carry out a POWER ON.
 - If required, withdraw the memory card and carry out POWER ON.
 - carry out a hardware reset (p0972 = 1).
 - save the parameters (p0971 = 1).

F01072 Memory card restored from the backup copy

- Message class:** General drive fault (19)
Reaction: NONE
Acknowledge: IMMEDIATELY
Cause: The Control Unit was switched-off while writing to the memory card. This is why the visible partition became defective.
 After switching on, the data from the non-visible partition (backup copy) were written to the visible partition.
Remedy: Check that the firmware and parameterization is up-to-date.

A01073 (N) POWER ON required for backup copy on memory card

- Message class:** General drive fault (19)
Reaction: NONE
Acknowledge: NONE
Cause: The parameter assignment on the visible partition of the memory card has changed.
 In order that the backup copy on the memory card is updated on the non-visible partition, it is necessary to carry out a POWER ON or hardware reset (p0972) of the Control Unit.
Note:
 It is possible that a new POWER ON is requested via this alarm (e.g. after saving with p0971 = 1).
Remedy:
- carry out a POWER ON (power off/on) for the Control Unit.
 - carry out a hardware reset (RESET button, p0972).

F01105 (A) CU: Insufficient memory

- Message class:** Error in the parameterization / configuration / commissioning procedure (18)
Reaction: OFF1
Acknowledge: POWER ON
Cause: Too many data sets are configured on this Control Unit.
 Fault value (r0949, interpret decimal):
 Only for internal Siemens troubleshooting.
Remedy:
- reduce the number of data sets.

F01107 Save to memory card unsuccessful

- Message class:** Hardware / software error (1)
Reaction: NONE
Acknowledge: IMMEDIATELY
Cause: A data save to the memory card was not able to be successfully carried out.
 - Memory card is defective.
 - Insufficient space on memory card.
 Fault value (r0949, interpret decimal):
 1: The file on the RAM was not able to be opened.
 2: The file on the RAM was not able to be read.
 3: A new directory could not be created on the memory card.
 4: A new file could not be created on the memory card.
 5: A new file could not be written on the memory card.
Remedy:
- try to save again.
 - replace the memory card or Control Unit.

4 Faults and alarms

4.2 List of faults and alarms

F01110 **CU: More than one SINAMICS G on one Control Unit**
Message class: Error in the parameterization / configuration / commissioning procedure (18)
Reaction: NONE
Acknowledge: IMMEDIATELY
Cause: More than one SINAMICS G type power unit is being operated from the Control Unit.
Fault value (r0949, interpret decimal):
Number of the second drive with a SINAMICS G type power unit.
Remedy: Only one SINAMICS G drive type is permitted.

F01111 **CU: Mixed operation of drive units illegal**
Message class: Error in the parameterization / configuration / commissioning procedure (18)
Reaction: NONE
Acknowledge: IMMEDIATELY
Cause: Illegal operation of various drive units on one Control Unit:
- SINAMICS S together with SINAMICS G
- SINAMICS S together with SINAMICS S Value or Combi
Fault value (r0949, interpret decimal):
Number of the first drive object with a different power unit type.
Remedy: Only power units of one particular drive type may be operated with one Control Unit.

F01112 **CU: Power unit not permissible**
Message class: Error in the parameterization / configuration / commissioning procedure (18)
Reaction: NONE
Acknowledge: IMMEDIATELY
Cause: The connected power unit cannot be used together with this Control Unit.
Fault value (r0949, interpret decimal):
1: Power unit is not supported (e.g. PM340).
Remedy: Replace the power unit that is not permissible by a component that is permissible.

F01120 (A) **Terminal initialization has failed**
Message class: Hardware / software error (1)
Reaction: OFF1 (OFF2)
Acknowledge: IMMEDIATELY (POWER ON)
Cause: An internal software error occurred while the terminal functions were being initialized.
Fault value (r0949, interpret hexadecimal):
Only for internal Siemens troubleshooting.
Remedy:
- carry out a POWER ON (power off/on) for all components.
- upgrade firmware to later version.
- contact the Hotline.
- replace the Control Unit.

F01122 (A) **Frequency at the measuring probe input too high**
Message class: Application / technological function faulted (17)
Reaction: OFF1 (OFF2)
Acknowledge: IMMEDIATELY
Cause: The frequency of the pulses at the measuring probe input is too high.
Fault value (r0949, interpret decimal):
1: DI/DO 9 (X122.8)
2: DI/DO 10 (X122.10)
4: DI/DO 11 (X122.11)
8: DI/DO 13 (X132.8)
16: DI/DO 14 (X132.10)
32: DI/DO 15 (X132.11)
64: DI/DO 8 (X122.7)
128: DI/DO 12 (X132.7)

Remedy: Reduce the frequency of the pulses at the measuring probe input.

F01150 CU: Number of instances of a drive object type exceeded
Message class: Error in the parameterization / configuration / commissioning procedure (18)
Reaction: NONE
Acknowledge: IMMEDIATELY
Cause: The maximum permissible number of instances of a drive object type was exceeded.
Drive object type:
Drive object type (p0107), for which the maximum permissible number of instances was exceeded.
Number permitted:
Max. permissible number of instances for this drive object type.
Actual number:
Current number of instances for this drive object type.
Note regarding the message value:
The individual information is coded as follows in the message value (r0949/r2124):
ddccbbaa hex: aa = drive object type, bb = number limited, cc = actual number, dd = no significance

Remedy:

- power down the unit.
- suitably restrict the number of instances of a drive object type by reducing the number of inserted components.
- re-commission the unit.

F01151 CU: Number of drive objects of a category exceeded
Message class: Error in the parameterization / configuration / commissioning procedure (18)
Reaction: NONE
Acknowledge: IMMEDIATELY
Cause: The maximum permissible number of drive objects of a category was exceeded.
Drive object category:
Drive object category, for which the maximum permissible number of drive objects was exceeded.
Number permitted:
Max. permissible number for this drive object category.
Actual number:
Actual number for this drive object category.
Note regarding the message value:
The individual information is coded as follows in the message value (r0949/r2124):
ddccbbaa hex: aa = drive object category, bb = number limited, cc = actual number, dd = no significance

Remedy:

- power down the unit.
- suitably restrict the number of drive objects of the specified category by reducing the number of inserted components.
- re-commission the unit.

F01205 CU: Time slice overflow
Message class: Hardware / software error (1)
Reaction: OFF2
Acknowledge: POWER ON
Cause: Insufficient computation time.
Fault value (r0949, interpret hexadecimal):
Only for internal Siemens troubleshooting.

Remedy: Contact the Hotline.

F01221 CU: Bas clk cyc too low
Message class: Error in the parameterization / configuration / commissioning procedure (18)
Reaction: NONE
Acknowledge: IMMEDIATELY
Cause: The closed-loop control / monitoring cannot maintain the envisaged clock cycle.
The runtime of the closed-loop control/monitoring is too long for the particular clock cycle or the computing time remaining in the system is not sufficient for the closed-loop control/monitoring.

4 Faults and alarms

4.2 List of faults and alarms

Fault value (r0949, interpret hexadecimal):
Only for internal Siemens troubleshooting.
Remedy: Increase the basic clock cycle of DRIVE-CLiQ communication.

F01250 **CU: CU-EEPROM incorrect read-only data**
Message class: Hardware / software error (1)
Reaction: NONE (OFF2)
Acknowledge: POWER ON
Cause: Error when reading the read-only data of the EEPROM in the Control Unit.
Fault value (r0949, interpret decimal):
Only for internal Siemens troubleshooting.
Remedy: - carry out a POWER ON.
- replace the Control Unit.

A01251 **CU: CU-EEPROM incorrect read-write data**
Message class: Hardware / software error (1)
Reaction: NONE
Acknowledge: NONE
Cause: Error when reading the read-write data of the EEPROM in the Control Unit.
Alarm value (r2124, interpret decimal):
Only for internal Siemens troubleshooting.
Remedy: For alarm value r2124 < 256, the following applies:
- carry out a POWER ON.
- replace the Control Unit.
For alarm value r2124 >= 256, the following applies:
- clear the fault memory (p0952 = 0).
- replace the Control Unit.

A01304 (F) **Firmware version of DRIVE-CLiQ component is not up-to-date**
Message class: General drive fault (19)
Reaction: NONE
Acknowledge: NONE
Cause: The non-volatile memory has a more recent firmware version than the one in the connected DRIVE-CLiQ component.
Alarm value (r2124, interpret decimal):
Component number of the DRIVE-CLiQ component involved.
Remedy: Update the firmware (p7828, p7829 and commissioning software).

A01306 **Firmware of the DRIVE-CLiQ component being updated**
Message class: General drive fault (19)
Reaction: NONE
Acknowledge: NONE
Cause: Firmware update is active for at least one DRIVE-CLiQ component.
Alarm value (r2124, interpret decimal):
Component number of the DRIVE-CLiQ component.
Remedy: Not necessary.
This alarm automatically disappears after the firmware has been updated.

A01314 **Topology: Component must not be present**
Message class: Error in the parameterization / configuration / commissioning procedure (18)
Reaction: NONE
Acknowledge: NONE
Cause: For a component, "de-activate and not present" is set but this component is still in the topology.
Alarm value (r2124, interpret hexadecimal):
ddccbbaa hex:
aa = component number

bb = component class of the component

cc = connection number

Note:

Component class and connection number are described in F01375.

Remedy:
- remove the corresponding component.
- change the setting "de-activate and not present".

Note:

Under "Topology --> Topology view" the commissioning software where relevant offers improved diagnostics capability (e.g. setpoint/actual value comparison).

A01315 Drive object not ready for operation

Message class: Error in the parameterization / configuration / commissioning procedure (18)

Reaction: NONE

Acknowledge: NONE

Cause: For the active drive object involved, at least one activated component is missing.

Note:

All other active and operational drive objects can be in the "RUN" state.

Remedy: The alarm automatically disappears after the following action has been taken:
Re-insert the components involved.

A01316 Drive object inactive and again ready for operation

Message class: Error in the parameterization / configuration / commissioning procedure (18)

Reaction: NONE

Acknowledge: NONE

Cause: If, when inserting a component of the target topology, an inactive, non-operational drive object becomes operational again.

Note:

This is the only message that is displayed for a de-activated drive object.

Remedy: The alarm automatically disappears after the following action has been taken:
Again withdraw the components involved.

A01317 (N) De-activated component again present

Message class: Error in the parameterization / configuration / commissioning procedure (18)

Reaction: NONE

Acknowledge: NONE

Cause: If a component of the target topology is inserted when a drive object is active.

Note:

This is the only message that is displayed for a de-activated component.

Remedy: The alarm automatically disappears after the following action has been taken:
Again withdraw the components involved.

A01318 BICO: De-activated interconnections present

Message class: Error in the parameterization / configuration / commissioning procedure (18)

Reaction: NONE

Acknowledge: NONE

Cause: This alarm is used in the following cases:

- If an inactive/non-operational drive object is active again/ready for operation
- If there are items in the list of BI/CI parameters (r9498[0...29], r9499[0...29])
- If the BICO interconnections saved in the list of BI/CI parameters (r9498[0...29], r9499[0...29]) have actually been changed

Remedy: Reset alarm:
- Set p9496 to 1 or 2
or
- de-activate the drive object again.

A01319	Inserted component not initialized
Message class:	Error in the parameterization / configuration / commissioning procedure (18)
Reaction:	NONE
Acknowledge:	NONE
Cause:	Initialization is required for at least one inserted component. This is only possible if the pulses are inhibited for all the drive objects.
Remedy:	Activate pulse inhibit for all drive objects.
A01321	Topology: Drive object number does not exist in configuration
Message class:	Error in the parameterization / configuration / commissioning procedure (18)
Reaction:	NONE
Acknowledge:	NONE
Cause:	p0978 contains a drive object number that does not exist. Alarm value (r2124, interpret decimal): Index of p0978 under which the drive object number can be determined.
Remedy:	Set p0009 to 1 and change p0978: Rules: <ul style="list-style-type: none">- p0978 must include all of the drive object numbers (p0101).- it is not permissible for a drive object number to be repeated.- by entering a 0, the drive objects with PZD are separated from those without PZD.- only 2 partial lists are permitted. After the second 0, all values must be 0.- dummy drive object numbers (255) are only permitted in the first partial list.
A01322	Topology: Drive object number present twice in configuration
Message class:	Error in the parameterization / configuration / commissioning procedure (18)
Reaction:	NONE
Acknowledge:	NONE
Cause:	A drive object number is present more than once in p0978. Alarm value (r2124, interpret decimal): Index of p0978 under which the involved drive object number is located.
Remedy:	Set parameter p0009 = 1 and change p0978: Rules: <ul style="list-style-type: none">- p0978 must include all of the drive object numbers (p0101).- it is not permissible for a drive object number to be repeated.- by entering a 0, the drive objects with PZD are separated from those without PZD.- only 2 partial lists are permitted. After the second 0, all values must be 0.- dummy drive object numbers (255) are only permitted in the first partial list.
A01323	Topology: More than two partial lists created
Message class:	Error in the parameterization / configuration / commissioning procedure (18)
Reaction:	NONE
Acknowledge:	NONE
Cause:	Partial lists are available more than twice in p0978. After the second 0, all must be 0. Alarm value (r2124, interpret decimal): Index of p0978 under which the illegal value is located.
Remedy:	Set p0009 to 1 and change p0978: Rules: <ul style="list-style-type: none">- p0978 must include all of the drive object numbers (p0101).- it is not permissible for a drive object number to be repeated.- by entering a 0, the drive objects with PZD are separated from those without PZD.- only 2 partial lists are permitted. After the second 0, all values must be 0.- dummy drive object numbers (255) are only permitted in the first partial list.

A01324	Topology: Dummy drive object number incorrectly created
Message class:	Error in the parameterization / configuration / commissioning procedure (18)
Reaction:	NONE
Acknowledge:	NONE
Cause:	In p0978, dummy drive object numbers (255) are only permitted in the first partial list. Alarm value (r2124, interpret decimal): Index of p0978 under which the illegal value is located.
Remedy:	Set p0009 to 1 and change p0978: Rules: <ul style="list-style-type: none">- p0978 must include all of the drive object numbers (p0101).- it is not permissible for a drive object number to be repeated.- by entering a 0, the drive objects with PZD are separated from those without PZD.- only 2 partial lists are permitted. After the second 0, all values must be 0.- dummy drive object numbers (255) are only permitted in the first partial list.
<hr/>	
F01325	Topology: Component number not present in target topology
Message class:	Error in the parameterization / configuration / commissioning procedure (18)
Reaction:	NONE
Acknowledge:	IMMEDIATELY
Cause:	The component configured in a parameter (e.g. p0121, p0131, etc.) is not present in the target topology. Alarm value (r2124, interpret decimal): Configured component number that is not present in target topology.
Remedy:	Establish topology and DO configuration consistency.
<hr/>	
A01330	Topology: Quick commissioning not possible
Message class:	Error in the parameterization / configuration / commissioning procedure (18)
Reaction:	NONE
Acknowledge:	NONE
Cause:	Unable to carry out a quick commissioning. The existing actual topology does not fulfill the requirements. Alarm value (r2124, interpret hexadecimal): ccccbaa hex: cccc = preliminary component number, bb = supplementary information, aa = fault cause aa = 01 hex = 1 dec: On one component illegal connections were detected. <ul style="list-style-type: none">- bb = 01 hex = 1 dec: For a Motor Module, more than one motor with DRIVE-CLiQ was detected.- bb = 02 hex = 2 dec: For a motor with DRIVE-CLiQ, the DRIVE-CLiQ cable is not connected to a Motor Module. aa = 02 hex = 2 dec: The topology contains too many components of a particular type. <ul style="list-style-type: none">- bb = 01 hex = 1 dec: There is more than one master Control Unit.- bb = 02 hex = 2 dec: There is more than 1 infeed (8 for a parallel circuit configuration).- bb = 03 hex = 3 dec: There are more than 10 Motor Modules (8 for a parallel circuit configuration).- bb = 04 hex = 4 dec: There are more than 9 encoders.- bb = 05 hex = 5 dec: There are more than 8 Terminal Modules.- bb = 07 hex = 7 dec: Unknown component type- bb = 08 hex = 8 dec: There are more than 6 drive slaves.- bb = 09 hex = 9 dec: Connection of a drive slave not permitted.- bb = 0a hex = 10 dec: There is no drive master.- bb = 0b hex = 11 dec: There is more than one motor with DRIVE-CLiQ for a parallel circuit.- bb = 0c hex = 12 dec: Different power units are being used in a parallel connection. - cccc: Not used. aa = 03 hex = 3 dec: More than 16 components are connected at a DRIVE-CLiQ socket of the Control Unit. <ul style="list-style-type: none">- bb = 0, 1, 2, 3 means e.g. detected at the DRIVE-CLiQ socket X100, X101, X102, X103. - cccc: Not used.

4 Faults and alarms

4.2 List of faults and alarms

aa = 04 hex = 4 dec:

The number of components connected one after the other is greater than 125.

- bb: Not used.

- cccc = preliminary component number of the first component and component that resulted in the fault.

aa = 05 hex = 5 dec:

The component is not permissible.

- bb = 01 hex = 1 dec: SINAMICS G available.

- bb = 02 hex = 2 dec: Chassis available.

- cccc = preliminary component number of the first component and component that resulted in the fault.

aa = 06 hex = 6 dec:

On one component illegal EEPROM data was detected. These must be corrected before the system continues to boot.

- bb = 01 hex = 1 dec: The Order No. [MLFB] of the power unit that was replaced includes a space retainer. The space retainer (*) must be replaced by a correct character.

- cccc = preliminary component number of the component with illegal EEPROM data.

aa = 07 hex = 7 dec:

The actual topology contains an illegal combination of components.

- bb = 01 hex = 1 dec: Active Line Module (ALM) and Basic Line Module (BLM).

- bb = 02 hex = 2 dec: Active Line Module (ALM) and Smart Line Module (SLM).

- bb = 03 hex = 3 dec: SIMOTION control (e.g. SIMOTION D445) and SINUMERIK component (e.g. NX15).

- bb = 04 hex = 4 dec: SINUMERIK control (e.g. SINUMERIK 730.net) and SIMOTION component (e.g. CX32).

- cccc: Not used.

Note:

Connection type and connection number are described in F01375.

Remedy:

- adapt the output topology to the permissible requirements.

- carry out commissioning using the commissioning software.

- for motors with DRIVE-CLiQ, connect the power and DRIVE-CLiQ cable to the same Motor Module (Single Motor Module: DRIVE-CLiQ at X202, Double Motor Module: DRIVE-CLiQ from motor 1 (X1) to X202, from motor 2 (X2) to X203).

Re aa = 06 hex = 6 dec and bb = 01 hex = 1 dec:

Correct the order number when commissioning using the commissioning software.

A01331

Topology: At least one component not assigned to a drive object

Message class:

Error in the parameterization / configuration / commissioning procedure (18)

Reaction:

NONE

Acknowledge:

NONE

Cause:

At least one component is not assigned to a drive object.

- when commissioning, a component was not able to be automatically assigned to a drive object.

- the parameters for the data sets are not correctly set.

Alarm value (r2124, interpret decimal):

Component number of the unassigned component.

Remedy:

This component is assigned to a drive object.

Check the parameters for the data sets.

Examples:

- encoder interface (p0140, p0141, p0187 ... p0189).

- encoder (p0140, p0142, p0187 ... p0189).

- Terminal Module (p0151).

- option board (p0161).

F01340

Topology: Too many components on one line

Message class:

Error in the parameterization / configuration / commissioning procedure (18)

Reaction:

NONE

Acknowledge:

IMMEDIATELY

Cause:

For the selected communications clock cycle, too many DRIVE-CLiQ components are connected to one line of the Control Unit.

Fault value (r0949, interpret hexadecimal):

xyy hex: x = fault cause, yy = component number or connection number.

1yy:

The communications clock cycle of the DRIVE-CLiQ connection on the Control Unit is not sufficient for all read transfers.

2yy:

The communications clock cycle of the DRIVE-CLiQ connection on the Control Unit is not sufficient for all write transfers.

3yy:

Cyclic communication is fully utilized.

4yy:

The DRIVE-CLiQ cycle starts before the earliest end of the application. An additional dead time must be added to the control. Sign-of-life errors can be expected.

The conditions of operation with a current controller sampling time of 31.25 µs have not been maintained.

5yy:

Internal buffer overflow for net data of a DRIVE-CLiQ connection.

6yy:

Internal buffer overflow for receive data of a DRIVE-CLiQ connection.

7yy:

Internal buffer overflow for send data of a DRIVE-CLiQ connection.

8yy:

The component clock cycles cannot be combined with one another

900:

The lowest common multiple of the clock cycles in the system is too high to be determined.

901:

The lowest common multiple of the clock cycles in the system cannot be generated with the hardware.

Remedy:

- check the DRIVE-CLiQ wiring.

- Reduce the number of components on the DRIVE-CLiQ line involved and distribute these to other DRIVE-CLiQ sockets of the Control Unit. This means that communication is uniformly distributed over several lines.

Re fault value = 1yy - 4yy in addition:

- increase the sampling times (p0112, p0115, p4099). If necessary, for DCC or FBLOCKS, change the assignment of the run-time group (p21000, p20000) so that the sampling time (r21001, r20001) is increased.

- if necessary, reduce the number of cyclically calculated blocks (DCC) and/or function blocks (FBLOCKS).

- reduce the function modules (r0108).

- establish the conditions for operation with a current controller sampling time of 31.25 µs (at the DRIVE-CLiQ line, only operate Motor Modules and Sensor Modules with this sampling time and only use a permitted Sensor Module (e.g. SMC20, this means a 3 at the last position of the order number)).

- For an NX, the corresponding Sensor Module for a possibly existing second measuring system should be connected to a free DRIVE-CLiQ socket of the NX.

Re fault value = 8yy in addition:

- check the clock cycles settings (p0112, p0115, p4099). Clock cycles on a DRIVE-CLiQ line must be perfect integer multiples of one another. As clock cycle on a line, all clock cycles of all drive objects in the previously mentioned parameters apply, which have components on the line involved.

Re fault value = 9yy in addition:

- check the clock cycles settings (p0112, p0115, p4099). The lower the numerical value difference between two clock cycles, the higher the lowest common multiple. This behavior has a significantly stronger influence, the higher the numerical values of the clock cycles.

F01341

Topology: Maximum number of DRIVE-CLiQ components exceeded

Message class: Error in the parameterization / configuration / commissioning procedure (18)

Reaction: NONE

Acknowledge: IMMEDIATELY

Cause: Too many DRIVE-CLiQ components were defined in the actual topology.

Note:

Pulse enable is withdrawn and prevented.

4 Faults and alarms

4.2 List of faults and alarms

Remedy:

- check the DRIVE-CLiQ wiring.
- reduce the number components on the DRIVE-CLiQ line involved in order to maintain the maximum quantity structure.

F01354 Topology: Actual topology indicates an illegal component

Message class: Error in the parameterization / configuration / commissioning procedure (18)

Reaction: OFF2

Acknowledge: IMMEDIATELY

Cause: The actual topology indicates at least one illegal component.
Fault value (r0949, interpret hexadecimal):
yyxx hex: yy = component number, xx = cause.
xx = 1: Component at this Control Unit not permissible.
xx = 2: Component in combination with another component not permissible.

Note:

Pulse enable is prevented.

Remedy: Remove the illegal components and restart the system.

F01356 Topology: There is a defective DRIVE-CLiQ component

Message class: Hardware / software error (1)

Reaction: OFF2

Acknowledge: IMMEDIATELY

Cause: The actual topology indicates at least one defective DRIVE-CLiQ component.

Fault value (r0949, interpret hexadecimal):

zzyyxx hex:

zz = connection number of the component at which the defective component is connected

yy = component number of the component at which the defective component is connected

xx = fault cause

xx = 1: Component at this Control Unit not permissible.

xx = 2: component with communication defect.

Note:

Pulse enable is withdrawn and prevented.

Remedy: Replace the defective component and restart the system.

F01357 Topology: Two Control Units identified on the DRIVE-CLiQ line

Message class: Error in the parameterization / configuration / commissioning procedure (18)

Reaction: OFF2

Acknowledge: IMMEDIATELY

Cause: In the actual topology, 2 Control Units are connected with one another through DRIVE-CLiQ.

As standard, this is not permitted.

It is only permitted, if the OA application OALINK is already installed on both Control Units.

Fault value (r0949, interpret hexadecimal):

yyxx hex:

yy = connection number of the Control Unit at which the second Control Unit is connected

xx = component number of the Control Unit at which the second Control Unit is connected

Note:

Pulse enable is withdrawn and prevented.

Remedy:

- remove the DRIVE-CLiQ connection, restart the systems, install OALINK on both Control Units and commission.

- remove the connection to the second Control Unit and restart.

- for the S120M component DRIVE-CLiQ extension, interchange the hybrid cable (IN/OUT).

A01358 Topology: Line termination not available

Message class: Error in the parameterization / configuration / commissioning procedure (18)

Reaction: NONE

Acknowledge: NONE

Cause: At least one line with distributed drives is not terminated. The last participant on the line must be terminated with a line termination connector.

This therefore ensures the degree of protection of the distributed drives.

Fault value (r0949, interpret hexadecimal):

zzyyxx hex:

zz = connection number of the distributed drive where there is no terminating connector

yy = component number

xx = CU connection number

Remedy: Install the line terminating connector for the last distributed drive.

F01359 Topology: DRIVE-CLiQ performance not sufficient

Message class: Error in the parameterization / configuration / commissioning procedure (18)

Reaction: NONE

Acknowledge: IMMEDIATELY

Cause: The DRIVE-CLiQ performance is not sufficient at one line in order to identify an inserted component.

Fault value (r0949, interpret hexadecimal):

Only for internal Siemens troubleshooting.

Remedy: - carry out a POWER ON (power off/on).
- Distribute components across several DRIVE-CLiQ lines.

Note:

For this topology, do not withdraw and insert components in operation.

F01360 Topology: Actual topology not permissible

Message class: Error in the parameterization / configuration / commissioning procedure (18)

Reaction: NONE

Acknowledge: IMMEDIATELY

Cause: The detected actual topology is not permissible.

Fault value (r0949, interpret hexadecimal):

ccccbbaa hex:

cccc = preliminary component number, bb = no significance, aa = fault cause

aa = 01 hex = 1 dec:

Too many components were detected at the Control Unit. A maximum of 199 components is permissible.

aa = 02 hex = 2 dec:

The component type of a component is not known.

aa = 03 hex = 3 dec:

It is illegal to combine ALM and BLM.

aa = 04 hex = 4 dec:

It is illegal to combine ALM and SLM.

aa = 05 hex = 5 dec:

It is illegal to combine BLM and SLM.

aa = 06 hex = 6 dec:

A CX32 was not directly connected to a permitted Control Unit.

aa = 07 hex = 7 dec:

An NX10 or NX15 was not directly connected to a permitted Control Unit.

aa = 08 hex = 8 dec:

A component was connected to a Control Unit that is not permitted for this purpose.

aa = 09 hex = 9 dec:

A component was connected to a Control Unit with out-of-date firmware.

aa = 0A hex = 10 dec:

Too many components of a particular type detected.

aa = 0B hex = 11 dec:

Too many components of a particular type detected on a single line.

Note:

The drive system is no longer booted. In this state, the drive control (closed-loop) cannot be enabled.

Remedy: Re fault cause = 1:

Change the configuration. Connect less than 199 components to the Control Unit.

Re fault cause = 2:
Remove the component with unknown component type.

Re fault cause = 3, 4, 5:
Establish a valid combination.

Re fault cause = 6, 7:
Connect the expansion module directly to a permitted Control Unit.

Re fault cause = 8:
Remove component or use a permissible component.

Re fault cause = 9:
Upgrade the firmware of the Control Unit to a later version.

Re fault cause = 10, 11:
Reduce the number of components.

A01361**Topology: Actual topology contains SINUMERIK and SIMOTION components**

Message class: Error in the parameterization / configuration / commissioning procedure (18)

Reaction: NONE

Acknowledge: NONE

Cause: The detected actual topology contains SINUMERIK and SIMOTION components.
The drive system is no longer booted. In this state, the drive control (closed-loop) cannot be enabled.
Alarm value (r2124, interpret hexadecimal):
ddccbbaa hex: cc = fault cause, bb = component class of the actual topology, aa = component number of the component
cc = 01 hex = 1 dec:
An NX10 or NX15 was connected to a SIMOTION control.
cc = 02 hex = 2 dec:
A CX32 was connected to a SINUMERIK control.

Remedy: Re alarm value = 1:
Replace all NX10 or NX15 by a CX32.
Re alarm value = 2:
Replace all CX32 by an NX10 or NX15.

A01362**Topology: Topology rule(s) broken**

Message class: Error in the parameterization / configuration / commissioning procedure (18)

Reaction: NONE

Acknowledge: NONE

Cause: At least one topology rule for the SINAMICS S120 Combi has been broken.
In the event of a fault, the ramping up of the drive system is aborted and closed-loop drive control is not enabled.
Alarm value (r2124, interpret decimal):
The alarm value indicates which rule has been violated.

- 1: The S120 Combi may only be wired via DRIVE-CLiQ socket X200 to X100 on the NCU.
- 2: Only one Single Motor Module (SMM) or one Double Motor Module (DMM) may be connected via X200 to the DRIVE-CLiQ socket X101 on the NCU.
- 3: Only one Terminal Module 54F (TM54F) or one DRIVE-CLiQ Hub Module (hub) may be connected via X500 to the DRIVE-CLiQ socket X102 on the NCU.
- 4: Only Sensor Modules may be connected to DRIVE-CLiQ sockets X201 up to X203 (3-axis) or X204 (4-axis) on the S120 Combi.
- 5: Only one Sensor Module, type SMC20 or SME20 may be connected to DRIVE-CLiQ socket X205 (X204 is not available for 3-axis).
- 6: If a Single Motor Module is being used as the first expansion axis, only one more Single Motor Module may be connected (via X200 to X201 on the first Single Motor Module).
- 7: Only Sensor Modules may be connected to the corresponding DRIVE-CLiQ socket X202 on any Single Motor Modules which may be present.
- 8: For a second Single Motor Module or for a Double Motor Module, it is not permissible to connect anything at X201.
- 9: If a Double Motor Module is used as an expansion axis, only Sensor Modules may be connected to X202 and X203.
- 10: If a Terminal Module 54F (TM54F) is configured, only one DRIVE-CLiQ Hub Module (DMC20, DME20) may be connected to X501 of the TM54F module via DRIVE-CLiQ socket X500.

11: On the DRIVE-CLiQ Hub Module, only Sensor Modules Cabinet (SMC) and Sensor Modules External (SME) may be connected to X501 through X505.

12: Only certain Motor Modules may be used for expansion axes.

13: For an S120 Combi with 3 axes, nothing must be connected at the DRIVE-CLiQ Hub Module at X503.

Remedy: Evaluate the alarm value and ensure compliance with the corresponding topology rule(s).

F01375 **Topology: Connection duplicated between two components**

Message class: Error in the parameterization / configuration / commissioning procedure (18)

Reaction: NONE

Acknowledge: IMMEDIATELY

Cause: When checking the actual topology, a ring-type connection was detected.

The fault value describes a component contained in the ring.

Fault value (r0949, interpret hexadecimal):

ccbbaaaa hex:

cc = connection number (%3)

bb = component class (% 2)

aaaa = preliminary component number (%1)

Component class:

0: Component unknown.

1: Control Unit

2: Motor Module

3: Line Module

4: Sensor Module

5: Voltage Sensing Module

6: Terminal Module

7: DRIVE-CLiQ Hub Module

8: Controller Extension

9: Filter Module

10: Hydraulic Module.

49: DRIVE-CLiQ component

50: Option slot

60: Encoder

70: DRIVE-CLiQ motor

71: Hydraulic cylinder

72: Hydraulic valve

80: Motor

Connection number:

0: Port 0, 1: Port 1, 2: Port 2, 3: Port 3, 4: Port 4, 5: Port 5

10: X100, 11: X101, 12: X102, 13: X103, 14: X104, 15: X105

20: X200, 21: X201, 22: X202, 23: X203

50: X500, 51: X501, 52: X502, 53: X503, 54: X504, 55: X505

Remedy: Output the fault value and remove the specified connection.

Note:

Under "Topology --> Topology view" the commissioning software where relevant offers improved diagnostics capability (e.g. setpoint/actual value comparison).

F01380 **Topology: Actual topology EEPROM defective**

Message class: Hardware / software error (1)

Reaction: NONE

Acknowledge: POWER ON

Cause: When detecting the actual topology, a component with a defective EEPROM was detected.

Fault value (r0949, interpret hexadecimal):

bbbbaaaa hex:

bbbb = reserved

aaaa = preliminary component number of the defective components

Remedy: Output the fault value and remove the defected component.

A01381	Topology: power unit incorrectly inserted
Message class:	Error in the parameterization / configuration / commissioning procedure (18)
Reaction:	NONE
Acknowledge:	NONE
Cause:	The topology comparison has detected a power unit in the actual topology that has been incorrectly inserted. Alarm value (r2124, interpret hexadecimal): ddccbbaa hex: dd = connection number (%4) cc = component number (%3) bb = component class (% 2) aa = component number of the incorrectly inserted component (% 1) Note: The component is described in dd, cc and bb, where the component involved is incorrectly inserted. Component class and connection number are described in F01375. The drive system is no longer booted. In this state, the drive control (closed-loop) cannot be enabled.
Remedy:	Adapting topologies: - insert the components involved at the right connection (correct the actual topology). - adapt the project/parameterization in the commissioning software (correct the target topology). - automatically remove the topology error (p9904). Note: Under "Topology --> Topology view" the commissioning software where relevant offers improved diagnostics capability (e.g. setpoint/actual value comparison).
A01382	Topology: Sensor Module incorrectly inserted
Message class:	Error in the parameterization / configuration / commissioning procedure (18)
Reaction:	NONE
Acknowledge:	NONE
Cause:	The topology comparison has detected a Sensor Module in the actual topology that has been incorrectly inserted with respect to the target technology. Alarm value (r2124, interpret hexadecimal): ddccbbaa hex: dd = connection number (%4) cc = component number (%3) bb = component class (% 2) aa = component number of the incorrectly inserted component (% 1) Note: The component is described in dd, cc and bb, where the component involved is incorrectly inserted. Component class and connection number are described in F01375. The drive system is no longer booted. In this state, the drive control (closed-loop) cannot be enabled.
Remedy:	Adapting topologies: - insert the components involved at the right connection (correct the actual topology). - adapt the project/parameterization in the commissioning software (correct the target topology). - automatically remove the topology error (p9904). Note: Under "Topology --> Topology view" the commissioning software where relevant offers improved diagnostics capability (e.g. setpoint/actual value comparison).
A01383	Topology: Terminal Module incorrectly inserted
Message class:	Error in the parameterization / configuration / commissioning procedure (18)
Reaction:	NONE
Acknowledge:	NONE
Cause:	The topology comparison has detected a Terminal Module in the actual topology that has been incorrectly inserted with respect to the target technology.

Alarm value (r2124, interpret hexadecimal):
ddccbbaa hex:
dd = connection number (%4)
cc = component number (%3)
bb = component class (% 2)
aa = component number of the incorrectly inserted component (% 1)
Note:
The component is described in dd, cc and bb, where the component involved is incorrectly inserted.
Component class and connection number are described in F01375.
The drive system is no longer booted. In this state, the drive control (closed-loop) cannot be enabled.

Remedy:

Adapting topologies:
- insert the components involved at the right connection (correct the actual topology).
- adapt the project/parameterization in the commissioning software (correct the target topology).
- automatically remove the topology error (p9904).
Note:
Under "Topology --> Topology view" the commissioning software where relevant offers improved diagnostics capability (e.g. setpoint/actual value comparison).

A01384	Topology: DRIVE-CLiQ Hub Module incorrectly inserted
Message class:	Error in the parameterization / configuration / commissioning procedure (18)
Reaction:	NONE
Acknowledge:	NONE
Cause:	The topology comparison has detected a DRIVE-CLiQ Hub Module in the actual topology that has been incorrectly inserted with respect to the target topology. Alarm value (r2124, interpret hexadecimal): ddccbbaa hex: dd = connection number (%4) cc = component number (%3) bb = component class (% 2) aa = component number of the incorrectly inserted component (% 1) Note: The component is described in dd, cc and bb, where the component involved is incorrectly inserted. Component class and connection number are described in F01375. The drive system is no longer booted. In this state, the drive control (closed-loop) cannot be enabled.
Remedy:	Adapting topologies: - insert the components involved at the right connection (correct the actual topology). - adapt the project/parameterization in the commissioning software (correct the target topology). - automatically remove the topology error (p9904). Note: Under "Topology --> Topology view" the commissioning software where relevant offers improved diagnostics capability (e.g. setpoint/actual value comparison).

A01385	Topology: Controller Extension incorrectly inserted
Message class:	Error in the parameterization / configuration / commissioning procedure (18)
Reaction:	NONE
Acknowledge:	NONE
Cause:	The topology comparison has detected a controller extension 32 (CX32) in the actual topology that has been incorrectly inserted with respect to the target topology. Alarm value (r2124, interpret hexadecimal): ddccbbaa hex: dd = connection number (%4) cc = component number (%3) bb = component class (% 2) aa = component number of the incorrectly inserted component (% 1)

Note:

The component is described in dd, cc and bb, where the component involved is incorrectly inserted.

Component class and connection number are described in F01375.

The drive system is no longer booted. In this state, the drive control (closed-loop) cannot be enabled.

Remedy:

Adapting topologies:

- insert the components involved at the right connection (correct the actual topology).
- adapt the project/parameterization in the commissioning software (correct the target topology).
- automatically remove the topology error (p9904).

Note:

Under "Topology --> Topology view" the commissioning software where relevant offers improved diagnostics capability (e.g. setpoint/actual value comparison).

A01386

Topology: DRIVE-CLiQ component incorrectly inserted

Message class:

Error in the parameterization / configuration / commissioning procedure (18)

Reaction:

NONE

Acknowledge:

NONE

Cause:

The topology comparison has detected a DRIVE-CLiQ component in the actual topology that has been incorrectly inserted with respect to the target topology.

Alarm value (r2124, interpret hexadecimal):

ddccbbaa hex:

dd = connection number (%4)

cc = component number (%3)

bb = component class (% 2)

aa = component number of the incorrectly inserted component (% 1)

Note:

The component is described in dd, cc and bb, where the component involved is incorrectly inserted.

Component class and connection number are described in F01375.

The drive system is no longer booted. In this state, the drive control (closed-loop) cannot be enabled.

Remedy:

Adapting topologies:

- insert the components involved at the right connection (correct the actual topology).
- adapt the project/parameterization in the commissioning software (correct the target topology).
- automatically remove the topology error (p9904).

Note:

Under "Topology --> Topology view" the commissioning software where relevant offers improved diagnostics capability (e.g. setpoint/actual value comparison).

A01389

Topology: Motor with DRIVE-CLiQ incorrectly inserted

Message class:

Error in the parameterization / configuration / commissioning procedure (18)

Reaction:

NONE

Acknowledge:

NONE

Cause:

The topology comparison has detected a motor with DRIVE-CLiQ in the actual topology that has been incorrectly inserted with respect to the target topology.

Alarm value (r2124, interpret hexadecimal):

ddccbbaa hex:

dd = connection number (%4)

cc = component number (%3)

bb = component class (% 2)

aa = component number of the incorrectly inserted component (% 1)

Note:

The component is described in dd, cc and bb, where the component involved is incorrectly inserted.

Component class and connection number are described in F01375.

The drive system is no longer booted. In this state, the drive control (closed-loop) cannot be enabled.

Remedy:

Adapting topologies:

- insert the components involved at the right connection (correct the actual topology).
- adapt the project/parameterization in the commissioning software (correct the target topology).
- automatically remove the topology error (p9904).

Note:

Under "Topology --> Topology view" the commissioning software where relevant offers improved diagnostics capability (e.g. setpoint/actual value comparison).

A01416	Topology: Component additionally inserted
Message class:	Error in the parameterization / configuration / commissioning procedure (18)
Reaction:	NONE
Acknowledge:	NONE
Cause:	A component that has not been configured has been identified.
Remedy:	Adapting topologies: - remove the additional component in the actual topology. - download the target topology that matches the actual topology (commissioning software).

A01420	DRIVE-CLiQ component different
Message class:	Error in the parameterization / configuration / commissioning procedure (18)
Reaction:	NONE
Acknowledge:	NONE
Cause:	The component connected at the DRIVE-CLiQ socket does not correspond to the DRIVE-CLiQ component that was previously connected. Alarm value (r2124, interpret hexadecimal): Only for internal Siemens troubleshooting.
	Note: The drive system is no longer booted. In this state, the drive control (closed-loop) cannot be enabled.
Remedy:	- insert the correct component. - restore the factory setting. - download an appropriate project.

A01425	Topology: Serial number different
Message class:	Error in the parameterization / configuration / commissioning procedure (18)
Reaction:	NONE
Acknowledge:	NONE
Cause:	The topology comparison has detected differences in the actual and target topologies in relation to one component. The serial number is different. Alarm value (r2124, interpret hexadecimal): ddccbbaa hex: dd = reserved cc = number of differences (%3) bb = component class (% 2) aa = component number (%1)
	Note: The component class is described in F01375. The drive system is no longer booted. In this state, the drive control (closed-loop) cannot be enabled.
Remedy:	Adapting topologies: - change over the actual topology to match the target topology. - download the target topology that matches the actual topology (commissioning software). Re byte cc: cc = 1 --> can be acknowledged using p9904 or p9905. cc > 1 --> can be acknowledged using p9905 and can be de-activated using p9906 or p9907/p9908.
	Note: Under "Topology --> Topology view" the commissioning software where relevant offers improved diagnostics capability (e.g. setpoint/actual value comparison). See also: p9904 (Topology comparison acknowledge differences), p9905 (Device specialization)

A01428	Topology: Incorrect connection used
Message class:	Error in the parameterization / configuration / commissioning procedure (18)
Reaction:	NONE
Acknowledge:	NONE
Cause:	<p>The topology comparison has detected differences in the actual and target topologies in relation to one component. For a component, another connection was used.</p> <p>The different connections of a component are described in the alarm value.</p> <p>Alarm value (r2124, interpret hexadecimal):</p> <p>ddccbbaa hex:</p> <p>dd = connection number of the target topology (%4) cc = connection number of the actual topology (%3) bb = component class (% 2) aa = component number (%1)</p> <p>Note:</p> <p>Component class and connection number are described in F01375.</p> <p>The drive system is no longer booted. In this state, the drive control (closed-loop) cannot be enabled.</p>
Remedy:	<p>Adapting topologies:</p> <ul style="list-style-type: none">- reinsert the DRIVE-CLiQ cable to the component (correct the actual topology).- adapt the project/parameterization in the commissioning software (correct the target topology).- automatically remove the topology error (p9904). <p>Note:</p> <p>Under "Topology --> Topology view" the commissioning software where relevant offers improved diagnostics capability (e.g. setpoint/actual value comparison).</p> <p>See also: p9904 (Topology comparison acknowledge differences)</p>
F01451	Topology: Target topology is invalid
Message class:	Error in the parameterization / configuration / commissioning procedure (18)
Reaction:	NONE
Acknowledge:	IMMEDIATELY
Cause:	<p>An error was detected in the target topology.</p> <p>The target topology is invalid.</p> <p>Fault value (r0949, interpret hexadecimal):</p> <p>ccccbbaa hex: cccc = index error, bb = component number, aa = fault cause</p> <p>aa = 1B hex = 27 dec: Error not specified. aa = 1C hex = 28 dec: Value illegal. aa = 1D hex = 29 dec: Incorrect ID. aa = 1E hex = 30 dec: Incorrect ID length. aa = 1F hex = 31 dec: Too few indices left. aa = 20 hex = 32 dec: component not connected to Control Unit.</p>
Remedy:	Reload the target topology using the commissioning software.
A01481 (N)	Topology: power unit not inserted
Message class:	Error in the parameterization / configuration / commissioning procedure (18)
Reaction:	NONE
Acknowledge:	NONE
Cause:	<p>The topology comparison has detected a power unit that is missing in the actual topology with respect to the target topology.</p> <p>Alarm value (r2124, interpret hexadecimal):</p> <p>ddccbbaa hex:</p> <p>dd = connection number (%4) cc = component number (%3) bb = component class (% 2) aa = component number of the component that has not been inserted (% 1)</p>

Note:

The component is described in dd, cc and bb, where the component has not been inserted.
Component class and connection number are described in F01375.

Remedy:

Adapting topologies:

- insert the components involved at the right connection (correct the actual topology).
- adapt the project/parameterization in the commissioning software (correct the target topology).

Check the hardware:

- check the 24 V supply voltage.
- check DRIVE-CLiQ cables for interruption and contact problems.
- check that the component is working properly.

Note:

Under "Topology --> Topology view" the commissioning software where relevant offers improved diagnostics capability (e.g. setpoint/actual value comparison).

A01482

DRIVE-CLiQ component Sensor Module missing

Message class:

Error in the parameterization / configuration / commissioning procedure (18)

Reaction:

NONE

Acknowledge:

NONE

Cause:

No DRIVE-CLiQ component is connected at the DRIVE-CLiQ socket, even though one is parameterized.

Alarm value (r2124, interpret decimal):

Only for internal Siemens troubleshooting.

Remedy:

- connect DRIVE-CLiQ component
- appropriately parameterize the drive unit.

A01483

Topology: Terminal Module not inserted

Message class:

Error in the parameterization / configuration / commissioning procedure (18)

Reaction:

NONE

Acknowledge:

NONE

Cause:

The topology comparison has detected a Terminal Module that is missing in the actual topology with respect to the target topology.

Alarm value (r2124, interpret hexadecimal):

ddccbbaa hex:

dd = connection number (%4)

cc = component number (%3)

bb = component class (% 2)

aa = component number of the component that has not been inserted (% 1)

Note:

The component is described in dd, cc and bb, where the component has not been inserted.
Component class and connection number are described in F01375.

Remedy:

Adapting topologies:

- insert the components involved at the right connection (correct the actual topology).
- adapt the project/parameterization in the commissioning software (correct the target topology).

Check the hardware:

- check the 24 V supply voltage.
- check DRIVE-CLiQ cables for interruption and contact problems.
- check that the component is working properly.

Note:

Under "Topology --> Topology view" the commissioning software where relevant offers improved diagnostics capability (e.g. setpoint/actual value comparison).

A01484

Topology: DRIVE-CLiQ Hub Module not inserted

Message class:

Error in the parameterization / configuration / commissioning procedure (18)

Reaction:

NONE

Acknowledge:

NONE

Cause:

The topology comparison has detected a DRIVE-CLiQ Hub Module missing in the actual topology with respect to the target topology.

4 Faults and alarms

4.2 List of faults and alarms

Alarm value (r2124, interpret hexadecimal):

ddccbbaa hex:

dd = connection number (%4)

cc = component number (%3)

bb = component class (% 2)

aa = component number of the component that has not been inserted (% 1)

Note:

The component is described in dd, cc and bb, where the component has not been inserted.

Component class and connection number are described in F01375.

Remedy:

Adapting topologies:

- insert the components involved at the right connection (correct the actual topology).
- adapt the project/parameterization in the commissioning software (correct the target topology).

Check the hardware:

- check the 24 V supply voltage.
- check DRIVE-CLiQ cables for interruption and contact problems.
- check that the component is working properly.

Note:

Under "Topology --> Topology view" the commissioning software where relevant offers improved diagnostics capability (e.g. setpoint/actual value comparison).

A01485

Topology: Controller Extension not inserted

Message class:

Error in the parameterization / configuration / commissioning procedure (18)

Reaction:

NONE

Acknowledge:

NONE

Cause:

The topology comparison has detected a Control Extension (CX32) missing in the actual topology with respect to the target topology.

Alarm value (r2124, interpret hexadecimal):

ddccbbaa hex:

dd = connection number (%4)

cc = component number (%3)

bb = component class (% 2)

aa = component number of the component that has not been inserted (% 1)

Note:

The component is described in dd, cc and bb, where the component has not been inserted.

Component class and connection number are described in F01375.

Remedy:

Adapting topologies:

- insert the components involved at the right connection (correct the actual topology).
- adapt the project/parameterization in the commissioning software (correct the target topology).

Check the hardware:

- check the 24 V supply voltage.
- check DRIVE-CLiQ cables for interruption and contact problems.
- check that the component is working properly.

Note:

Under "Topology --> Topology view" the commissioning software where relevant offers improved diagnostics capability (e.g. setpoint/actual value comparison).

A01486

Topology: DRIVE-CLiQ component not inserted

Message class:

Error in the parameterization / configuration / commissioning procedure (18)

Reaction:

NONE

Acknowledge:

NONE

Cause:

The topology comparison has detected a DRIVE-CLiQ component missing in the actual topology with respect to the target topology.

Alarm value (r2124, interpret hexadecimal):

ddccbbaa hex:

dd = connection number (%4)

cc = component number (%3)

bb = component class (% 2)

aa = component number of the component that has not been inserted (% 1)

Note:

The component is described in dd, cc and bb, where the component has not been inserted.

Component class and connection number are described in F01375.

Remedy:

Adapting topologies:

- insert the components involved at the right connection (correct the actual topology).
- adapt the project/parameterization in the commissioning software (correct the target topology).

Check the hardware:

- check the 24 V supply voltage.
- check DRIVE-CLiQ cables for interruption and contact problems.
- check that the component is working properly.

Note:

Under "Topology --> Topology view" the commissioning software where relevant offers improved diagnostics capability (e.g. setpoint/actual value comparison).

A01487

Topology: Option slot component not inserted

Message class:

Error in the parameterization / configuration / commissioning procedure (18)

Reaction:

NONE

Acknowledge:

NONE

Cause:

The topology comparison has detected an option slot component missing in the actual topology with respect to the target topology.

Alarm value (r2124, interpret hexadecimal):

ddccbbaa hex:

dd = connection number (%4)

cc = component number (%3)

bb = component class (% 2)

aa = component number of the component that has not been inserted (% 1)

Note:

The component is described in dd, cc and bb, where the component has not been inserted.

Component class and connection number are described in F01375.

Remedy:

Adapting topologies:

- insert the components involved at the right connection (correct the actual topology).
- adapt the project/parameterization in the commissioning software (correct the target topology).

Check the hardware:

- check the 24 V supply voltage.
- check DRIVE-CLiQ cables for interruption and contact problems.
- check that the component is working properly.

Note:

Under "Topology --> Topology view" the commissioning software where relevant offers improved diagnostics capability (e.g. setpoint/actual value comparison).

A01489

Topology: Motor with DRIVE-CLiQ not inserted

Message class:

Error in the parameterization / configuration / commissioning procedure (18)

Reaction:

NONE

Acknowledge:

NONE

Cause:

The topology comparison has detected a motor with DRIVE-CLiQ missing in the actual topology with respect to the target topology.

Alarm value (r2124, interpret hexadecimal):

ddccbbaa hex:

dd = connection number (%4)

cc = component number (%3)

bb = component class (% 2)

aa = component number of the component that has not been inserted (% 1)

4 Faults and alarms

4.2 List of faults and alarms

Note:

The component is described in dd, cc and bb, where the component has not been inserted.
Component class and connection number are described in F01375.

Remedy:

Adapting topologies:

- insert the components involved at the right connection (correct the actual topology).
- adapt the project/parameterization in the commissioning software (correct the target topology).

Check the hardware:

- check the 24 V supply voltage.
- check DRIVE-CLiQ cables for interruption and contact problems.
- check that the component is working properly.

Note:

Under "Topology --> Topology view" the commissioning software where relevant offers improved diagnostics capability (e.g. setpoint/actual value comparison).

F01505 (A)

BICO: Interconnection cannot be established

Message class:

Error in the parameterization / configuration / commissioning procedure (18)

Reaction:

NONE

Acknowledge:

IMMEDIATELY

Cause:

A PROFIdrive telegram has been set (p0922).
An interconnection contained in the telegram was not able to be established.
Fault value (r0949, interpret decimal):
Parameter receiver that should be changed.

Remedy:

Establish another interconnection.

A01507 (F, N)

BICO: Interconnections to inactive objects present

Message class:

Error in the parameterization / configuration / commissioning procedure (18)

Reaction:

NONE

Acknowledge:

NONE

Cause:

There are BICO interconnections to an inactive/inoperable drive object.
The BI/CI parameters involved are listed in r9498.
The associated BO/CO parameters are listed in r9499.
The list of the BICO interconnections to other drive objects is displayed in r9491 and r9492 of the de-activated drive object.
Note:
r9498 and r9499 are only written to, if p9495 is not set to 0.
Alarm value (r2124, interpret decimal):
Number of BICO interconnections found to inactive drive objects.

Remedy:

- set all open BICO interconnections centrally to the factory setting with p9495 = 2.
- make the non-operational drive object active/operational again (re-insert or activate components).

A01508

BICO: Interconnections to inactive objects exceeded

Message class:

Error in the parameterization / configuration / commissioning procedure (18)

Reaction:

NONE

Acknowledge:

NONE

Cause:

The maximum number of BICO interconnections (signal sinks) when de-activating a drive object was exceeded.
When de-activating a drive object, all BICO interconnections (signal sinks) are listed in the following parameters:
- r9498[0...29]: List of the BI/CI parameters involved.
- r9499[0...29]: List of the associated BO/CO parameters.

Remedy:

The alarm automatically disappears as soon as no BICO interconnection (value = 0) is entered in r9498[29] and r9499[29].
Notice:
When re-activating the drive object, all BICO interconnections should be checked and if required, re-established.

F01510	BICO: Signal source is not float type
Message class:	Error in the parameterization / configuration / commissioning procedure (18)
Reaction:	NONE
Acknowledge:	IMMEDIATELY
Cause:	The requested connector output does not have the correct data type. This interconnection is not established. Fault value (r0949, interpret decimal): Parameter number to which an interconnection should be made (connector output).
Remedy:	Interconnect this connector input with a connector output having a float data type.

F01511 (A)	BICO: Interconnection with different scalings
Message class:	Error in the parameterization / configuration / commissioning procedure (18)
Reaction:	NONE
Acknowledge:	IMMEDIATELY
Cause:	The requested BICO interconnection was established. However, a conversion is made between the BICO output and BICO input using the reference values. - the BICO output has different normalized units than the BICO input. - message only for interconnections within a drive object. Example: The BICO output has, as normalized unit, voltage and the BICO input has current. This means that the factor p2002/p2001 is calculated between the BICO output and the BICO input. p2002: contains the reference value for current p2001: contains the reference value for voltage Fault value (r0949, interpret decimal): Parameter number of the BICO input (signal sink).
Remedy:	Not necessary.

F01512	BICO: No scaling available
Message class:	Error in the parameterization / configuration / commissioning procedure (18)
Reaction:	OFF2
Acknowledge:	POWER ON
Cause:	An attempt was made to determine a conversion factor for a scaling that does not exist. Fault value (r0949, interpret decimal): Unit (e.g. corresponding to SPEED) for which an attempt was made to determine a factor.
Remedy:	Apply scaling or check the transfer value.

F01513 (N, A)	BICO: Interconnection cross DO with different scalings
Message class:	Error in the parameterization / configuration / commissioning procedure (18)
Reaction:	NONE
Acknowledge:	IMMEDIATELY
Cause:	The requested BICO interconnection was established. However, a conversion is made between the BICO output and BICO input using the reference values. An interconnection is made between different drive objects and the BICO output has different normalized units than the BICO input or the normalized units are the same but the reference values are different. Example 1: BICO output with voltage normalized unit, BICO input with current normalized unit, BICO output and BICO input lie in different drive objects. This means that the factor p2002/p2001 is calculated between the BICO output and the BICO input. p2002: contains the reference value for current p2001: contains the reference value for voltage Example 2: BICO output with voltage normalized unit in drive object 1 (DO1), BICO input with voltage normalized unit in drive object 2 (DO2). The reference values for voltage (p2001) of the two drive objects have different values. This means that the factor p2001(DO1)/p2001(DO2) is calculated between the BICO output and the BICO input. p2001: contains the reference value for voltage, drive objects 1, 2 Fault value (r0949, interpret decimal): Parameter number of the BICO input (signal sink).

4 Faults and alarms

4.2 List of faults and alarms

Remedy: Not necessary.

A01514 (F) BICO: Error when writing during a reconnect
Message class: Error in the parameterization / configuration / commissioning procedure (18)
Reaction: NONE
Acknowledge: NONE
Cause: During a reconnect operation (e.g. while booting or downloading - but can also occur in normal operation) a parameter was not able to be written to.
Example:
When writing to BICO input with double word format (DWORD), in the second index, the memory areas overlap (e.g. p8861). The parameter is then reset to the factory setting.
Alarm value (r2124, interpret decimal):
Parameter number of the BICO input (signal sink).
Remedy: Not necessary.

F01515 (A) BICO: Writing to parameter not permitted as the master control is active
Message class: Error in the parameterization / configuration / commissioning procedure (18)
Reaction: NONE
Acknowledge: IMMEDIATELY
Cause: When changing the number of CDS or when copying from CDS, the master control is active.
Remedy: If required, return the master control and repeat the operation.

A01590 (F) Drive: Motor maintenance interval expired
Message class: General drive fault (19)
Reaction: NONE
Acknowledge: NONE
Cause: The selected service/maintenance interval for this motor was reached.
Alarm value (r2124, interpret decimal):
Motor data set number.
See also: p0650 (Actual motor operating hours), p0651 (Motor operating hours maintenance interval)
Remedy: carry out service/maintenance and reset the service/maintenance interval (p0651).

F01600 SI P1 (CU): STOP A initiated
Message class: Safety monitoring channel has identified an error (10)
Reaction: OFF2
Acknowledge: IMMEDIATELY (POWER ON)
Cause: The drive-integrated "Safety Integrated" function on processor 1 has detected an error and initiated a STOP A.
- forced checking procedure of the safety shutdown path on processor 1 unsuccessful.
- subsequent response to fault F01611 (defect in a monitoring channel).
Fault value (r0949, interpret decimal):
0: Stop request from processor 2.
1005: Pulses suppressed although STO not selected and there is no internal STOP A present.
1010: Pulses enabled although STO is selected or an internal STOP A is present.
1011: Internal fault for the pulse enable in the Power Module.
9999: Subsequent response to fault F01611.
Remedy:
- select Safe Torque Off and de-select again.
- carry out a POWER ON (power off/on) for all components.
- replace Power Module involved.
For fault value = 9999:
- carry out diagnostics for fault F01611.
Note:
STO: Safe Torque Off

F01611 (A)	SI P1 (CU): Defect in a monitoring channel
Message class:	Safety monitoring channel has identified an error (10)
Reaction:	NONE (OFF1, OFF2, OFF3)
Acknowledge:	IMMEDIATELY (POWER ON)
Cause:	<p>The drive-integrated "Safety Integrated" function on processor 1 has detected a fault in the crosswise data comparison between the two monitoring channels and has initiated a STOP F.</p> <p>Fault F01600 (SI P1: STOP A initiated) is output as a consequence of this fault.</p> <p>Fault value (r0949, interpret decimal):</p> <p>0: Stop request from processor 2.</p> <p>1 ... 999:</p> <p>Number of the cross-compared data that resulted in this fault. This number is also displayed in r9795.</p> <p>2: SI enable safety functions (p9601, p9801). Crosswise data comparison is only carried out for the supported bits.</p> <p>3: SI F-DI changeover tolerance time (p9650, p9850).</p> <p>8: SI PROFIsafe address (p9610, p9810).</p> <p>9: SI debounce time for STO (p9651, p9851).</p> <p>1000: Watchdog timer has expired.</p> <p>Within the time of approx. 5 x p9650, alternatively, the following was defined:</p> <ul style="list-style-type: none">- Too many signal changes have occurred at the F-DI.- Via PROFIsafe, STO was too frequently initiated (also as subsequent response). <p>1001, 1002: Initialization error, change timer / check timer.</p> <p>2000: Status of the STO selection for both monitoring channels are different.</p> <p>2001: Feedback signals of safe pulse suppression on the two monitoring channels are different.</p> <p>2002: Statuses of the delay timer SS1 on both monitoring channels are different (status of the timer in p9650/p9850).</p> <p>2003: Status of the STO terminal for both monitoring channels are different.</p> <p>6000 ... 6166:</p> <p>PROFIsafe fault values (PROFIsafe driver for PROFIBUS DP V1/V2 and PROFINET).</p> <p>For these fault values, the failsafe control signals (failsafe values) are transferred to the safety functions.</p> <p>6000: An internal software error has occurred (only for internal Siemens troubleshooting).</p> <p>6064 ... 6071: Error when evaluating the F parameters. The values of the transferred F parameters do not match the expected values in the PROFIsafe driver.</p> <p>6064: Destination address and PROFIsafe address are different (F_Dest_Add).</p> <p>6065: Destination address not valid (F_Dest_Add).</p> <p>6066: Source address not valid (F_Source_Add).</p> <p>6067: Watchdog time not valid (F_WD_Time).</p> <p>6068: Incorrect SIL level (F_SIL).</p> <p>6069: Incorrect F-CRC length (F_CRC_Length).</p> <p>6070: Incorrect F parameter version (F_Par_Version).</p> <p>6071: CRC error for the F parameters (CRC1). The transferred CRC value of the F parameters does not match the value calculated in the PROFIsafe driver.</p> <p>6072: F parameterization is inconsistent.</p> <p>6165: A communications error was identified when receiving the PROFIsafe telegram. The fault may also occur if an inconsistent or out-of-date PROFIsafe telegram has been received after switching the Control Unit off and on or after plugging in the PROFIBUS/PROFINET cable.</p> <p>6166: A time monitoring error (timeout) was identified when receiving the PROFIsafe telegram.</p>
Remedy:	<p>Re fault values 1 ... 999 described in "Cause":</p> <ul style="list-style-type: none">- check the cross data comparison that resulted in a STOP F.- carry out a POWER ON (power off/on). <p>For fault value = 1000:</p> <ul style="list-style-type: none">- check the wiring of the F-DI (contact problems).- PROFIsafe: Remove contact problems/faults at the PROFIBUS master/PROFINET controller.- check the tolerance time F-DI changeover and if required, increase the value (p9650/p9850). <p>Re fault value = 1001, 1002:</p> <ul style="list-style-type: none">- carry out a POWER ON (power off/on).

4 Faults and alarms

4.2 List of faults and alarms

Re fault value = 2000, 2001, 2002, 2003:

- check the tolerance time F-DI changeover and if required, increase the value (p9650/p9850).
- check the wiring of the F-DI (contact problems).
- check the causes of the STO selection in r9772. When the SI Motion functions are active (p9501 = 1), STO can also be selected using these functions.

For fault value = 6000:

- carry out a POWER ON (power off/on).
- upgrade firmware to later version.
- contact the Hotline.
- replace Control Unit.

For fault value = 6064:

- check the setting of the value in the F parameter F_Dest_Add at the PROFIsafe slave.
- check the setting of the PROFIsafe address on processor 1 (p9610) and on processor 2 (p9810).

For fault value = 6065:

- check the setting of the value in the F parameter F_Dest_Add at the PROFIsafe slave. It is not permissible for the destination address to be either 0 or FFFF!

For fault value = 6066:

- check the setting of the value in the F parameter F_Source_Add at the PROFIsafe slave. It is not permissible for the source address to be either 0 or FFFF!

For fault value = 6067:

- check the setting of the value in the F parameter F_WD_Time at the PROFIsafe slave. It is not permissible for the watch time to be 0!

For fault value = 6068:

- check the setting of the value in the F parameter F_SIL at the PROFIsafe slave. The SIL level must correspond to SIL2!

For fault value = 6069:

- check the setting of the value in the F parameter F_CRC_Length at the PROFIsafe slave. The setting of the CRC2 length is 2-byte CRC in the V1 mode and 3-byte CRC in the V2 mode!

For fault value = 6070:

- check the setting of the value in the F parameter F_Par_Version at the PROFIsafe slave. The value for the F parameter version is 0 in the V1 mode and 1 in the V2 mode!

For fault value = 6071:

- check the settings of the values of the F parameters and the F parameter CRC (CRC1) calculated from these at the PROFIsafe slave and, if required, update.

For fault value = 6072:

- check the settings of the values for the F parameters and, if required, correct.

The following combinations are permissible for F parameters F_CRC_Length and F_Par_Version:

F_CRC_Length = 2-byte CRC and F_Par_Version = 0

F_CRC_Length = 3-byte CRC and F_Par_Version = 1

For fault value = 6165:

- if the fault occurs after powering up or after inserting the PROFIBUS/PROFINET cable, acknowledge the fault.
- check the configuration and communication at the PROFIsafe slave.
- check the setting of the value for F parameter F_WD_Time on the PROFIsafe slave and increase if necessary.
- check whether all F parameters of the drive match the F parameters of the F host.

For fault value = 6166:

- check the configuration and communication at the PROFIsafe slave.
- check the setting of the value for F parameter F_WD_Time on the PROFIsafe slave and increase if necessary.
- evaluate diagnostic information in the F host.
- check PROFIsafe connection.
- check whether all F parameters of the drive match the F parameters of the F host.

Re fault values that are described in "Cause":

- carry out a POWER ON (power off/on).
- contact the Hotline.
- replace Control Unit.

Note:

F-DI: Failsafe Digital Input

STO: Safe Torque Off

N01620 (F, A)	SI P1 (CU): Safe Torque Off active
Message class:	Safety monitoring channel has identified an error (10)
Reaction:	NONE
Acknowledge:	NONE
Cause:	The "Safe Torque Off" (STO) function has been selected on processor 1 using the input terminal and is active. Note: This message does not result in a safety stop response.
Remedy:	Not necessary. Note: STO: Safe Torque Off

N01621 (F, A)	SI P1 (CU): Safe Stop 1 active
Message class:	Safety monitoring channel has identified an error (10)
Reaction:	NONE
Acknowledge:	NONE
Cause:	The "Safe Stop 1" function (SS1) was selected on processor 1 (P1) and is active. Note: This message does not result in a safety stop response.
Remedy:	Not necessary. Note: SI: Safety Integrated SS1: Safe Stop 1 (corresponds to Stop Category 1 acc. to EN60204)

F01625	SI P1 (CU): Sign-of-life error in safety data
Message class:	Internal (DRIVE-CLiQ) communication error (12)
Reaction:	OFF2
Acknowledge:	IMMEDIATELY (POWER ON)
Cause:	The drive-integrated "Safety Integrated" function on processor 1 has detected an error in the sign-of-life of the safety data and initiated a STOP A. - there is a communication error between processor 1 and processor 2 or communication has failed. - a time slice overflow of the safety software has occurred. Fault value (r0949, interpret decimal): Only for internal Siemens troubleshooting.
Remedy:	- select Safe Torque Off and de-select again. - carry out a POWER ON (power off/on). - check whether additional faults are present and if required, perform diagnostics. - check the electrical cabinet design and cable routing for EMC compliance

F01630	SI P1 (CU): Brake control error
Message class:	Safety monitoring channel has identified an error (10)
Reaction:	OFF2
Acknowledge:	IMMEDIATELY (POWER ON)
Cause:	The "Safety Integrated" function integrated in the drive on processor 1 (P1) has detected a brake control error and initiated a STOP A. - motor cable is not shielded correctly. - defect in the Safe Brake Module, in the Power Module or in the Control Unit. Fault value (r0949, interpret decimal): 10, 11: Fault in "open holding brake" operation. - Parameter p1278 incorrectly set. - No brake connected or wire breakage (check whether brake releases for p1278 = 1 and p9602/p9802 = 0 (SBC deactivated)). - Ground fault in brake cable.

4 Faults and alarms

4.2 List of faults and alarms

20:

Fault in "brake open" state.

- Short-circuit in brake winding.

30, 31:

Fault in "close holding brake" operation.

- No brake connected or wire breakage (check whether brake releases for p1278 = 1 and p9602/p9802 = 0 (SBC deactivated)).
- Short-circuit in brake winding.

40:

Fault in "brake closed" state.

50:

Fault in the brake control circuit of the Control Unit or communication fault between the Control Unit and Motor Module (brake control).

Remedy:

- check parameter p1278 (for SBC, only p1278 = 0 is permissible).
- select Safe Torque Off and de-select again.
- check the motor holding brake connection.
- check the function of the motor holding brake.
- check the Safe Brake Module connection.
- check that the electrical cabinet design and cable routing are in compliance with EMC regulations (e.g. shield of the motor cable and brake conductors are connected with the shield connecting plate and the motor connectors are tightly screwed to the housing).
- replace the Safe Brake Module.
- replace Power Module.
- replace the Control Unit.

Note:

SBC: Safe Brake Control

SI: Safety Integrated

A01631 (F, N)

SI P1 (CU): motor holding brake/SBC configuration not practical

Message class:

Error in the parameterization / configuration / commissioning procedure (18)

Reaction:

NONE

Acknowledge:

NONE

Cause:

A configuration of motor holding brake and SBC was detected that is not practical.

The following configurations can result in this message:

- "No motor holding brake available" (p1215 = 0) and "SBC" enabled (p9602 = 1).
- "Motor holding brake just like the sequence control, connection via BICO" (p1215 = 3) and "SBC" enabled (p9602 = 1).

Note:

SBC: Safe Brake Control

Remedy:

Check the parameterization of the motor holding brake and SBC and correct.

See also: p1215 (Motor holding brake configuration), p9602 (SI enable Safe Brake Control (processor 1)), p9802 (SI enable Safe Brake Control (processor 2))

F01640

SI P1 (CU): component replacement identified and acknowledgment/save required

Message class:

General drive fault (19)

Reaction:

NONE

Acknowledge:

IMMEDIATELY

Cause:

The "Safety Integrated" function integrated in the drive has identified that a component has been replaced.

It is no longer possible to operate the drive.

When safety functions are active, after a component has been replaced it is necessary to carry out a partial acceptance test.

Fault value (r0949, interpret binary):

Bit 0 = 1:

It has been identified that the Control Unit has been replaced.

Bit 1 = 1:

It has been identified that the Motor Module/Hydraulic Module has been replaced.

Bit 2 = 1:
It has been identified that the Power Module has been replaced.

Bit 3 = 1:
It has been identified that the Sensor Module channel 1 has been replaced.

Bit 4 = 1:
It has been identified that the Sensor Module channel 2 has been replaced.

Bit 5 = 1:
It has been identified that the sensor channel 1 has been replaced.

Bit 6 = 1:
It has been identified that the sensor channel 2 has been replaced.

Remedy:

- acknowledge component replacement (p9702 = 29).
- save all parameters (p0977 = 1 or p0971 = 1 or "copy RAM to ROM").
- acknowledge fault (e.g. BI: p2103).

Note:
In addition to the fault, diagnostics bits r9776.2 and r9776.3 are set.
See also: r9776 (SI diagnostics)

F01641 **SI P1 (CU): component replacement identified and save required**

Message class: General drive fault (19)

Reaction: NONE

Acknowledge: IMMEDIATELY

Cause: The "Safety Integrated" function integrated in the drive has identified that a component has been replaced. No additional fault response is initiated, therefore operation of the particular drive is not restricted. When safety functions are active, after a component has been replaced it is necessary to carry out a partial acceptance test.

Fault value (r0949, interpret binary):

Bit 0 = 1:
It has been identified that the Control Unit has been replaced.

Bit 1 = 1:
It has been identified that the Motor Module/Hydraulic Module has been replaced.

Bit 2 = 1:
It has been identified that the Power Module has been replaced.

Bit 3 = 1:
It has been identified that the Sensor Module channel 1 has been replaced.

Bit 4 = 1:
It has been identified that the Sensor Module channel 2 has been replaced.

Bit 5 = 1:
It has been identified that the sensor channel 1 has been replaced.

Bit 6 = 1:
It has been identified that the sensor channel 2 has been replaced.

Remedy:

- save all parameters (p0977 = 1 or p0971 = 1 or "copy RAM to ROM").
- acknowledge fault (e.g. BI: p2103).

See also: r9776 (SI diagnostics)

F01649 **SI P1 (CU): Internal software error**

Message class: Hardware / software error (1)

Reaction: OFF2

Acknowledge: IMMEDIATELY (POWER ON)

Cause: An internal error in the Safety Integrated software on processor 1 has occurred.

Note:
This fault results in a STOP A that cannot be acknowledged.

Fault value (r0949, interpret hexadecimal):
Only for internal Siemens troubleshooting.

Remedy:

- carry out a POWER ON (power off/on).
- re-commission the "Safety Integrated" function and carry out a POWER ON.

- contact the Hotline.
- replace Control Unit.

F01650**SI P1 (CU): Acceptance test required**

Message class: Safety monitoring channel has identified an error (10)

Reaction: OFF2

Acknowledge: IMMEDIATELY (POWER ON)

Cause: The drive-integrated "Safety Integrated" function on processor 1 requires an acceptance test.

Note:

This fault results in a STOP A that can be acknowledged.

Fault value (r0949, interpret decimal):

130: Safety parameters for processor 2 not available.

Note:

This fault value is always output when Safety Integrated is commissioned for the first time.

1000: Reference and actual checksum on processor 1 are not identical (booting).

- at least one checksum-checked piece of data is defective.

- Safety parameters set offline and loaded into the Control Unit.

2000: Reference and actual checksum on processor 1 are not identical (commissioning mode).

- reference checksum incorrectly entered on processor 1 (p9799 not equal to r9798).

- when de-activating the safety functions, p9501 was not deleted.

2001: Reference and actual checksum on processor 2 are not identical (commissioning mode).

- reference checksum incorrectly entered on processor 2 (p9899 not equal to r9898).

- when de-activating the safety functions, p9501 was not deleted.

2002: Enable of safety-related functions between the processor 1 and processor 2 differ (p9601 not equal to p9801).

2003: Acceptance test is required as a safety parameter has been changed.

2004: An acceptance test is required because a project with enabled safety-functions has been downloaded.

2005: The Safety logbook has identified that a functional safety checksum has changed. An acceptance test is required.

2020: Error when saving the safety parameters for the processor 2.

9999: Subsequent response of another safety-related fault that occurred when booting that requires an acceptance test.

Remedy:

For fault value = 130:

- carry out safety commissioning routine.

For fault value = 1000:

- again carry out safety commissioning routine.

- replace the memory card or Control Unit.

- Using STARTER, activate the safety parameters for the drive involved (change settings, copy parameters, activate settings).

For fault value = 2000:

- check the safety parameters on processor 1 and adapt the reference checksum (p9799).

For fault value = 2001:

- check the safety parameters on processor 2 and adapt the reference checksum (p9899).

For fault value = 2002:

- enable the safety-related functions on processor 1 and check processor 2 (p9601 = p9801).

Re fault value = 2003, 2004, 2005:

- Carry out an acceptance test and generate an acceptance report.

The fault with fault value 2005 can only be acknowledged when the "STO" function is de-selected.

For fault value = 2020:

- again carry out safety commissioning routine.

- replace the memory card or Control Unit.

For fault value = 9999:

- carry out diagnostics for the other safety-related fault that is present.

Note:

STO: Safe Torque Off

See also: p9799 (SI setpoint checksum SI parameters (processor 1)), p9899 (SI setpoint checksum SI parameters (processor 2))

F01651	SI P1 (CU): Synchronization safety time slices unsuccessful
Message class:	Hardware / software error (1)
Reaction:	OFF2
Acknowledge:	IMMEDIATELY (POWER ON)
Cause:	The "Safety Integrated" function requires synchronization of the safety time slices between processor 1 and processor 2. This synchronization was unsuccessful. Note: This fault results in a STOP A that cannot be acknowledged. Fault value (r0949, interpret decimal): Only for internal Siemens troubleshooting.
Remedy:	Carry out a POWER ON (power off/on).

F01653	SI P1 (CU): PROFIBUS/PROFINET configuration error
Message class:	Error in the parameterization / configuration / commissioning procedure (18)
Reaction:	NONE (OFF1, OFF2, OFF3)
Acknowledge:	IMMEDIATELY (POWER ON)
Cause:	There is a PROFIBUS/PROFINET configuration error for using Safety Integrated monitoring functions with a higher-level control. Note: For safety functions that have been enabled, this fault results in a STOP A that cannot be acknowledged. Fault value (r0949, interpret decimal): 200: A safety slot for receive data from the control has not been configured. 210, 220: The configured safety slot for the receive data from the control has an unknown format. 230: The configured safety slot for the receive data from the F-PLC has the incorrect length. 231: The configured safety slot for the receive data from the F-PLC has the incorrect length. 250: A PROFIsafe slot is configured in the higher-level F control, however PROFIsafe is not enabled in the drive. 300: A safety slot for the send data to the control has not been configured. 310, 320: The configured safety slot for the send data to the control has an unknown format. 330: The configured safety slot for the send data to the F-PLC has the incorrect length. 331: The configured safety slot for the send data to the F-PLC has the incorrect length.
Remedy:	The following generally applies: - check and, if necessary, correct the PROFIBUS/PROFINET configuration of the safety slot on the master side. - upgrade the Control Unit software. For fault value = 250: - remove the PROFIsafe configuring in the higher-level F control or enable PROFIsafe in the drive. Re fault value = 231, 331: - configure the PROFIsafe telegram matching the parameterization in the F-PLC. The following applies for p9501.30 = 1 (F-DI via PROFIsafe is enabled): - PROFIsafe telegram 900 must be configured. For p9501.30 = 0 (F-DI not enabled via PROFIsafe), the following applies: - PROFIsafe telegram 30 must be configured.

A01654 (F)	SI P1 (CU): Deviating PROFIsafe configuration
Message class:	Error in the parameterization / configuration / commissioning procedure (18)
Reaction:	NONE
Acknowledge:	NONE
Cause:	The configuration of a PROFIsafe telegram in the higher-level control (F-PLC) does not match the parameterization in the drive. Note: This message does not result in a safety stop response. Alarm value (r2124, interpret decimal): 1: A PROFIsafe telegram is configured in the higher-level control, however PROFIsafe is not enabled in the drive (p9601.3).

2:

PROFIsafe is parameterized in the drive; however, a PROFIsafe telegram has not been configured in the higher-level control.

Remedy:

The following generally applies:

- check and, if necessary, correct the PROFIsafe configuration in the higher-level control.

Re alarm value = 1:

- remove the PROFIsafe configuring in the higher-level F control or enable PROFIsafe in the drive.

Re alarm value = 2:

- configure the PROFIsafe telegram to match the parameterization in the higher-level F-control.

F01655

SI P1 (CU): Align monitoring functions

Message class:

Error in the parameterization / configuration / commissioning procedure (18)

Reaction:

OFF2

Acknowledge:

IMMEDIATELY (POWER ON)

Cause:

An error has occurred when aligning the Safety Integrated monitoring functions on processor 1 and processor 2. No common set of supported SI monitoring functions was able to be determined.

- there is a communication error between processor 1 and processor 2 or communication has failed.

Note:

This fault results in a STOP A that cannot be acknowledged.

Fault value (r0949, interpret hexadecimal):

Only for internal Siemens troubleshooting.

Remedy:

- carry out a POWER ON (power off/on).

- check the electrical cabinet design and cable routing for EMC compliance

F01656

SI P1 (CU): Parameter processor 2 error

Message class:

Hardware / software error (1)

Reaction:

OFF2

Acknowledge:

IMMEDIATELY (POWER ON)

Cause:

When accessing the Safety Integrated parameters for the processor 2 in the non-volatile memory, an error has occurred.

Note:

This fault results in a STOP A that can be acknowledged.

Fault value (r0949, interpret decimal):

129: Safety parameters for processor 2 corrupted.

131: Internal software error

132: Communication errors when uploading or downloading the safety parameters.

255: Internal software error on the Control Unit.

Remedy:

- re-commission the safety functions.

- replace the memory card or Control Unit.

For fault value = 129:

- activate the safety commissioning mode (p0010 = 95).

- adapt the PROFIsafe address (p9610).

- start the copy function for SI parameters (p9700 = D0 hex).

- acknowledge data change (p9701 = DC hex).

- exit the safety commissioning mode (p0010 = 0).

- save all parameters (p0971 = 1 or "copy RAM to ROM").

- carry out a POWER ON (power off/on) for the Control Unit.

For fault value = 132:

- check the electrical cabinet design and cable routing for EMC compliance

F01658	SI P1 (CU): PROFIsafe telegram number not suitable
Message class:	Error in the parameterization / configuration / commissioning procedure (18)
Reaction:	OFF2
Acknowledge:	IMMEDIATELY (POWER ON)
Cause:	The PROFIsafe telegram number in p60022 is unsuitable for the enabled safety functions. Possible causes: - When PROFIsafe is not enabled (p9601.3 = 0), then it is not permissible to select a PROFIsafe telegram in p60022. - When PROFIsafe is enabled (p9601.3 = 1), then a PROFIsafe telegram must be selected in p60022. - When the transfer of the F-DIs via PROFIsafe (p9501.30 = 1) is selected, then telegram 900 must be selected in p60022 (this only applies to Control Units, which support Extended Functions via PROFIsafe (r9771.4 = 1)). Note: This fault does not result in a safety stop response. See also: p9501 (SI Motion enable safety functions (processor 1)), p9601 (SI enable functions integrated in the drive (processor 1)), p60022 (PROFIsafe telegram selection)
Remedy:	Select the telegram number that matches the Safety functions that have been enabled.

F01659	SI P1 (CU): Write request for parameter rejected
Message class:	Error in the parameterization / configuration / commissioning procedure (18)
Reaction:	OFF2
Acknowledge:	IMMEDIATELY (POWER ON)
Cause:	The write request for one or several Safety Integrated parameters on processor 1 was rejected. Note: This fault does not result in a safety stop response. Fault value (r0949, interpret decimal): 1: The Safety Integrated password is not set. 2: A reset of the drive parameters was selected. However, the Safety Integrated parameters were not reset, as Safety Integrated is presently enabled. 3: The interconnected STO input is in the simulation mode. 10: An attempt was made to enable the STO function although this cannot be supported. 14: An attempt was made to enable the PROFIsafe communications although this cannot be supported. 15: An attempt was made to enable the motion monitoring functions integrated in the drive although these cannot be supported. 18: An attempt was made to enable the PROFIsafe function for Basic Functions although this cannot be supported. 20: An attempt was made to simultaneously enable both the drive-integrated motion monitoring functions via integrated F-DI and STO via terminals, even though these cannot be supported at the same time. 21: An attempt was made to enable the Safety Integrated functions although these cannot be supported by the connected Power Module. 26: At a digital input of the Control Unit, an attempt was made to activate the simulation mode (p0795), which is used by Safety Integrated (p10049). See also: p0970 (Reset drive parameters), p3900 (Completion of quick commissioning), r9771 (SI common functions (processor 1)), r9871 (SI common functions (processor 2))
Remedy:	For fault value = 1: - set the Safety Integrated password (p9761). For fault value = 2: - Inhibit Safety Integrated (p9501, p9601) or reset safety parameters (p0970 = 5), then reset the drive parameters again. For fault value = 3: - end the simulation mode for the digital input (p0795). Re fault value = 10, 14, 15, 18, 20: - check whether there are faults in the safety function alignment (F01655, F30655) and if required, carry out diagnostics for the faults involved. - use a Control Unit that supports the required function. For fault value = 21: - use a Power Module that supports the Safety Integrated functions.

4 Faults and alarms

4.2 List of faults and alarms

For fault value = 26:

- check whether p10049 is set. Also check p10006 and p10009. Check whether in p10046, p10047 a test top of the FDO with a read back input is parameterized.

Note:

STO: Safe Torque Off

See also: p9501, p9601, p9761, p9801

F01660	SI P1 (CU): Safety-related functions not supported
Message class:	Error in the parameterization / configuration / commissioning procedure (18)
Reaction:	OFF2
Acknowledge:	IMMEDIATELY (POWER ON)
Cause:	The Power Module does not support the safety-related functions. Safety Integrated cannot be commissioned. Note: This fault does not result in a safety stop response.
Remedy:	- use a Power Module that supports the safety-related functions.

F01661	SI P1 (CU): Simulation of the safety inputs active
Message class:	General drive fault (19)
Reaction:	OFF2
Acknowledge:	IMMEDIATELY
Cause:	The simulation of the digital inputs of the Control Unit (p0795) is active. It is not permissible that safety inputs are simulated. Fault value (r0949, interpret binary): The displayed bits indicate which digital inputs must not be simulated.
Remedy:	- Deactivate the simulation of the digital inputs of the Control Unit for the safety inputs (p0795). - acknowledge fault.

F01662	Error internal communications
Message class:	Hardware / software error (1)
Reaction:	OFF2
Acknowledge:	POWER ON
Cause:	A module-internal communication error has occurred. Fault value (r0949, interpret hexadecimal): Only for internal Siemens troubleshooting.
Remedy:	- carry out a POWER ON (power off/on). - upgrade firmware to later version. - contact the Hotline.

F01663	SI P1 (CU): Copying the SI parameters rejected
Message class:	Error in the parameterization / configuration / commissioning procedure (18)
Reaction:	OFF2
Acknowledge:	IMMEDIATELY (POWER ON)
Cause:	In p9700, the value 87 or 208 is saved or was entered offline. This is the reason that when booting, an attempt is made to copy SI parameters from processor 1 to processor 2. However, no safety-relevant function has been selected on processor 1 (p9501 = 0, p9601 = 0). This is the reason that copying is not possible. Note: This fault does not result in a safety stop response. See also: p9700 (SI copy function)
Remedy:	- Set p9700 to 0. - Check p9501 and/or p9601 and if required, correct. - Restart the copying function by entering the corresponding value into p9700.

F01665	SI P1 (CU): System is defective
Message class:	Hardware / software error (1)
Reaction:	OFF2
Acknowledge:	IMMEDIATELY
Cause:	A system defect was detected before the last boot or in the actual one. The system might have been rebooted (reset). Fault value (r0949, interpret hexadecimal): 200000 hex, 400000 hex, 8000yy hex (yy any): - Fault in the actual booting/operation. Additional values: - defect before the last time that the system booted.
Remedy:	- carry out a POWER ON (power off/on). - upgrade firmware to later version. - contact the Hotline. Re fault value = 200000 hex, 400000 hex, 8000yy hex (yy any): - ensure that the Control Unit is connected to the Power Module.

A01666 (F)	SI Motion P1 (CU): Steady-state (static) 1 signal at the F-DI for safe acknowledgment
Message class:	Error in the parameterization / configuration / commissioning procedure (18)
Reaction:	NONE
Acknowledge:	NONE
Cause:	A logical 1 signal is present at the F-DI configured in p10006 for more than 10 seconds. If, at the F-DI no acknowledgment was performed for safe acknowledgment, then a steady-state logical and 0 signal must be present. This avoids unintentional safety-relevant acknowledgement (or the "Internal Event Acknowledge" signal) if a wire breaks or one of the two digital inputs bounces.
Remedy:	Set the fail-safe digital input (F-DI) to a logical 0 signal (p10006). Note: F-DI: Failsafe Digital Input

A01669 (F, N)	SI Motion: Unfavorable combination of motor and power unit
Message class:	Error in the parameterization / configuration / commissioning procedure (18)
Reaction:	NONE
Acknowledge:	NONE
Cause:	The combination of motor and power unit used is not suitable for using safe motion monitoring functions without an encoder. The ratio between the power unit rated current (r0207[0]) and rated motor current (p0305) is greater than 5. Alarm value (r2124, interpret decimal): Number of the motor data set, which caused the fault. Notice: If this alarm is not observed, then message C01711 or C30711 – with the value 1041 ... 1044 – can sporadically occur.
Remedy:	Use a suitable power unit with a lower power rating or a motor with a higher power rating.

F01680	SI Motion P1 (CU): Checksum error safety monitoring functions
Message class:	Safety monitoring channel has identified an error (10)
Reaction:	OFF2
Acknowledge:	IMMEDIATELY (POWER ON)
Cause:	The actual checksum calculated by the drive and entered in r9728 via the safety-relevant parameters does not match the reference checksum saved in p9729 at the last machine acceptance. Safety-relevant parameters have been changed or a fault is present. Note: This fault results in a STOP A that can be acknowledged. Fault value (r0949, interpret decimal): 0: Checksum error for SI parameters for motion monitoring. 1: Checksum error for SI parameters for actual values. 2: Checksum error for SI parameters for component assignment.

- Remedy:**
- check the safety-relevant parameters and if required, correct.
 - execute the function "Copy RAM to ROM".
 - perform a POWER ON if safety parameters requiring a POWER ON have been modified.
 - carry out an acceptance test.

F01681**SI Motion P1 (CU): Incorrect parameter value**

Message class: Error in the parameterization / configuration / commissioning procedure (18)

Reaction: OFF2

Acknowledge: IMMEDIATELY (POWER ON)

Cause: The parameter cannot be parameterized with this value.

Note:

This fault does not result in a safety stop response.

Fault value (r0949, interpret decimal):

yyyyxxxx dec: yyyy = supplementary information, xxxx = parameter

yyyy = 0:

No information available.

xxxx = 9501:

It is not permissible to enable the function "n < nx hysteresis and filtering" (p9501.16) in conjunction with the function "Extended functions without selection" (p9601.5).

xxxx = 9522:

The gear stage was set too high.

xxxx = 9547:

Parameter p9547 has been set too low.

xxxx = 9585:

For Safety without encoder and synchronous motor, p9585 must be set to 4.

Remedy:

Correct the parameter value.

If xxxx = 9547:

With hysteresis/filtering enabled (p9501.16 = 1), the following applies:

Set parameters p9546/p9346 and p9547/p9347 acc. to the following rule: p9546 >= 2 x p9547; p9346 >= 2 x p9347

If xxxx = 9522 and 9585:

Correct the parameter value.

F01682**SI Motion P1 (CU): Monitoring function not supported**

Message class: Error in the parameterization / configuration / commissioning procedure (18)

Reaction: OFF2

Acknowledge: IMMEDIATELY (POWER ON)

Cause: The monitoring function enabled in p9501, p9601 or p9801 is not supported in this firmware version.

Note:

This fault results in a STOP A that cannot be acknowledged.

Fault value (r0949, interpret decimal):

1: Monitoring function SLP not supported (p9501.1).

2: Monitoring function SCA not supported (p9501.7 and p9501.8 ... 15).

3: Monitoring function SLS override not supported (p9501.5).

4: Monitoring function external ESR activation not supported (p9501.4).

5: Monitoring function F-DI in PROFIsafe not supported (p9501.30).

6: Enable actual value synchronization not supported (p9501.3).

9: Monitoring function not supported by the firmware or enable bit not used.

11: Only encoderless monitoring functions integrated in the drive are supported.

12: Safety Integrated for SINUMERIK is not supported on this Control Unit.

20: Motion monitoring functions integrated in the drive are only supported in conjunction with PROFIsafe (p9501/p9601.1 ... 2 and p9801.1 ... 2).

21: PROFIsafe only supported in conjunction with motion monitoring functions integrated in the drive (p9501/p9601.1 ... 2 and p9801.1 ... 2).

23: CU240 does not support monitoring functions requiring an encoder.

25: Drive-integrated motion monitoring functions not supported (p9501, p9601.2).

28: Encoderless monitoring functions are not supported for synchronous motors (p9507.2).

Remedy: Deselect the monitoring function involved (p9501, p9601, p9801).
Note:
SCA: Safe Cam
SDI: Safe Direction (safe motion direction)
SLP: Safely-Limited Position
SLS: Safely-Limited Speed
See also: p9501 (SI Motion enable safety functions (processor 1)), r9771 (SI common functions (processor 1))

F01683 SI Motion P1 (CU): SLS enable missing

Message class: Error in the parameterization / configuration / commissioning procedure (18)
Reaction: OFF2
Acknowledge: IMMEDIATELY (POWER ON)
Cause: The safety-relevant function "SLS" is not enabled in p9501 although other safety-relevant monitoring functions are enabled.
Note:
This fault does not result in a safety stop response.
Remedy: Enable the function "SLS" (p9501.0) and carry out a POWER ON.
Note:
Save the changes before POWER ON (copy from RAM to ROM).
SLS: Safely-Limited Speed
See also: p9501 (SI Motion enable safety functions (processor 1))

F01690 SI Motion: Data save problem for the NVRAM

Message class: Hardware / software error (1)
Reaction: NONE (OFF1, OFF2, OFF3)
Acknowledge: POWER ON
Cause: There is not sufficient memory space in the NVRAM on the drive to save parameters r9781 and r9782 (safety logbook).
Note:
This fault does not result in a safety stop response.
Fault value (r0949, interpret decimal):
0: There is no physical NVRAM available in the drive.
1: There is no longer any free memory space in the NVRAM.
Remedy: For fault value = 0:
- use a Control Unit NVRAM.
For fault value = 1:
- de-select functions that are not required and that take up memory space in the NVRAM.
- contact the Hotline.
Note:
NVRAM: Non-Volatile Random Access Memory (non-volatile read and write memory)

F01692 SI Motion P1 (CU): Parameter value not permitted for encoderless

Message class: Error in the parameterization / configuration / commissioning procedure (18)
Reaction: OFF2
Acknowledge: IMMEDIATELY (POWER ON)
Cause: For encoderless motion monitoring functions, the parameter cannot be parameterized with this value.
Note:
This fault does not result in a safety stop response.
Fault value (r0949, interpret decimal):
Parameter number with the incorrect value.
See also: p9501 (SI Motion enable safety functions (processor 1))
Remedy: Correct the parameter specified in the fault value.
See also: p9501 (SI Motion enable safety functions (processor 1))

4 Faults and alarms

4.2 List of faults and alarms

A01693 (F)	SI P1 (CU): Safety parameter setting changed, POWER ON required
Message class:	Error in the parameterization / configuration / commissioning procedure (18)
Reaction:	NONE
Acknowledge:	NONE
Cause:	Safety parameters have been changed; these will only take effect following a POWER ON. Notice: All changed parameters of the safety motion monitoring functions will only take effect following a POWER ON. Alarm value (r2124, interpret decimal): Parameter number of the safety parameter which has changed, necessitating a POWER ON.
Remedy:	- execute the function "Copy RAM to ROM". - carry out a POWER ON (power off/on).

A01696 (F)	SI Motion: Testing of the motion monitoring functions selected when booting
Message class:	Safety monitoring channel has identified an error (10)
Reaction:	NONE
Acknowledge:	NONE
Cause:	The test of the motion monitoring functions was already illegally active when booting. This is the reason that the test is only carried out again after selecting the forced checking procedure parameterized in p9705. Note: This message does not result in a safety stop response. See also: p9705 (SI Motion: Test stop signal source)
Remedy:	De-select the forced checking procedure of the safety motion monitoring functions and then select again. The signal source for initiation is parameterized in binector input p9705. See also: p9705 (SI Motion: Test stop signal source)

A01697 (F)	SI Motion: Motion monitoring functions must be tested
Message class:	Safety monitoring channel has identified an error (10)
Reaction:	NONE
Acknowledge:	NONE
Cause:	The time set in p9559 for the forced checking procedure of the safety motion monitoring functions has been exceeded. A new test is required. After next selecting the forced checking procedure parameterized in p9705, the message is withdrawn and the monitoring time is reset. Note: - This message does not result in a safety stop response. - As the shutdown paths are not automatically checked during booting, an alarm is always issued once booting is complete. - The test must be performed within a defined, maximum time interval (p9559, maximum of 9000 hours) in order to comply with the requirements as laid down in the standards for timely fault detection and the conditions to calculate the failure rates of safety functions (PFH value). Operation beyond this maximum time period is permissible if it can be ensured that the forced checking procedure is performed before persons enter the hazardous area and who are depending on the safety functions correctly functioning. See also: p9559 (SI Motion forced checking procedure timer (processor 1)), p9705 (SI Motion: Test stop signal source)
Remedy:	Carry out the forced checking procedure of the safety motion monitoring functions. The signal source for initiation is parameterized in binector input p9705. See also: p9705 (SI Motion: Test stop signal source)

A01698 (F)	SI P1 (CU): Commissioning mode active
Message class:	General drive fault (19)
Reaction:	NONE
Acknowledge:	NONE
Cause:	The commissioning of the "Safety Integrated" function is selected. This message is withdrawn after the safety functions have been commissioned.

Note:

- This message does not result in a safety stop response.
 - In the safety commissioning mode, the "STO" function is internally selected.
- See also: p0010 (Drive commissioning parameter filter)

Remedy: Not necessary.

A01699 (F) SI P1 (CU): Shutdown path must be tested

Message class: Safety monitoring channel has identified an error (10)

Reaction: NONE

Acknowledge: NONE

Cause: The time set in p9659 for the forced checking procedure of the safety shutdown paths has been exceeded. The safety shutdown paths must be re-tested.

After the next time the "STO" function is de-selected, the message is withdrawn and the monitoring time is reset.

Note:

- This message does not result in a safety stop response.
 - The test must be performed within a defined, maximum time interval (p9659, maximum of 9000 hours) in order to comply with the requirements as laid down in the standards for timely fault detection and the conditions to calculate the failure rates of safety functions (PFH value).
- Operation beyond this maximum time period is permissible if it can be ensured that the forced checking procedure is performed before persons enter the hazardous area and who are depending on the safety functions correctly functioning.

See also: p9659 (SI forced checking procedure timer)

Remedy: Select STO and then de-select again.

Note:

STO: Safe Torque Off

C01700 SI Motion P1 (CU): STOP A initiated

Message class: Safety monitoring channel has identified an error (10)

Reaction: OFF2

Acknowledge: IMMEDIATELY (POWER ON)

Cause: The drive is stopped via a STOP A (pulses are suppressed via the safety shutdown path of processor 1).

Possible causes:

- stop request from processor 2.
- Pulses not suppressed after test stop selection.
- subsequent response to the message C01706 "SI Motion P1: SAM/SBR limit exceeded".
- Subsequent response to the message C01714 "SI Motion P1: Safely-Limited Speed exceeded".
- Subsequent response to the message C01701 "SI Motion P1: STOP B initiated".

Remedy: - remove the cause of the fault on the monitoring channel of processor 2.

- carry out a diagnostics routine for message C01706.
- carry out a diagnostics routine for message C01714.
- carry out a diagnostics routine for message C01701.
- check the shutdown path of processor 1.

- replace Power Module.

- replace Control Unit.

This message can be acknowledged without a POWER ON using "Acknowledge internal event":

Note:

SAM: Safe Acceleration Monitor (safe acceleration monitoring)

SBR: Safe Brake Ramp (safe brake ramp monitoring)

C01701 SI Motion P1 (CU): STOP B initiated

Message class: Safety monitoring channel has identified an error (10)

Reaction: NONE (OFF3)

Acknowledge: IMMEDIATELY (POWER ON)

Cause: The drive is stopped via a STOP B (braking along the OFF3 deceleration ramp).

As a result of this fault, after the speed threshold parameterized in p9560 is fallen below, message C01700 "STOP A initiated" is output.

4 Faults and alarms

4.2 List of faults and alarms

Possible causes:

- stop request from processor 2.
- Subsequent response to the message C01714 "SI Motion P1: Safely-Limited Speed exceeded".
- subsequent response to the message C01711 "SI Motion P1: Defect in a monitoring channel".
- subsequent response to the message C01707 "SI Motion P1: tolerance for safe operating stop exceeded".

Remedy:

- remove the cause of the fault on the monitoring channel of processor 2.
- carry out a diagnostics routine for message C01714.
- carry out a diagnostics routine for message C01711.
- carry out a diagnostics routine for message C01707.

This message can be acknowledged without a POWER ON using "Acknowledge internal event".

C01706

SI Motion P1 (CU): SAM/SBR limit exceeded

Message class:

Safety monitoring channel has identified an error (10)

Reaction:

NONE

Acknowledge:

IMMEDIATELY (POWER ON)

Cause:

Motion monitoring functions with set acceleration monitoring (SAM, p9506 = 3):

- after initiating STOP B (SS1) the velocity has exceeded the selected tolerance.

Motion monitoring functions with set brake ramp monitoring (SBR, p9506 = 1):

- after initiating STOP B (SS1) or SLS changeover to the lower speed stage, the speed has exceeded the selected tolerance.

The drive is shut down by the message C01700 "SI Motion: STOP A initiated".

Remedy:

Check the braking behavior and, if necessary, adapt the parameterization of the parameter settings of the "SAM" or the "SBR" function.

This message can be acknowledged without a POWER ON using "Acknowledge internal event".

Note:

SAM: Safe Acceleration Monitor (safe acceleration monitoring)

SBR: Safe Brake Ramp (safe brake ramp monitoring)

SI: Safety Integrated

See also: p9548 (SI Motion SAM actual velocity tolerance (processor 1)), p9581 (SI Motion brake ramp reference value (processor 1)), p9582 (SI Motion brake ramp delay time (processor 1)), p9583 (SI Motion brake ramp monitoring time (processor 1))

C01711

SI Motion P1 (CU): Defect in a monitoring channel

Message class:

Safety monitoring channel has identified an error (10)

Reaction:

NONE

Acknowledge:

IMMEDIATELY (POWER ON)

Cause:

When cross-comparing the two monitoring channels, the drive detected a difference between the input data or results of the monitoring functions and initiated a STOP F. One of the monitoring functions no longer reliably functions - i.e. safe operation is no longer possible.

If at least one monitoring function is active, then message C01701 "SI Motion: STOP B initiated" is output.

The message value that resulted in a STOP F is displayed in r9725. The message values described involve the crosswise data comparison between processor 1 and processor 2.

The following message values may also occur in the following cases if the cause that is explicitly mentioned does not apply:

- synchronization error between processor 1 and processor 2.

Message value (r2124, interpret decimal):

0 to 999: Number of the cross-compared data that resulted in this fault.

0: Stop request from the other monitoring channel.

1: Status image of monitoring functions SLS or SAM/SBR (result list 1) (r9710[0], r9710[1]).

2: Status image of monitoring function n < nx (result list 2) (r9711[0], r9711[1]).

3: The position actual value differential (r9713[0/1]) between the two monitoring channels is greater than the tolerance in p9542/p9342.

4: Error when synchronizing the crosswise data comparison between the two channels.

5: Function enable signals (p9501/p9301) Safety monitoring clock cycle too small (p9500/p9300).

6: Limit value for SLS1 (p9531[0]/p9331[0])

7: Limit value for SLS2 (p9531[1]/p9331[1])

8: Limit value for SLS3 (p9531[2]/p9331[2])

- 9: Limit value for SLS4 (p9531[3]/p9331[3])
31: Position tolerance (p9542/p9342).
42: Shutdown speed, pulse canc. (p9560/p9360)
43: Memory test, stop response (STOP A).
44 ... 57: General
Possible cause 1 (during commissioning or parameter modification)
The tolerance value for the monitoring function is not the same on the two monitoring channels.
Possible cause 2 (during active operation)
The limit values are based on the actual value (r9713[0/1]). If the safe actual values on the two monitoring channels do not match, the limit values, which have been set at a defined interval, will also be different (i.e. corresponding to fault value 3). This can be ascertained by checking the safe actual positions.
- 44: Position actual value (r9713[0/1]) + limit value SLS1 (p9531[0]/p9331[0]) * safety monitoring clock cycle (12 ms).
45: Position actual value (r9713[0/1]) - limit value SLS1 (p9531[0]/p9331[0]) * safety monitoring clock cycle (12 ms).
46: Position actual value (r9713[0/1]) + limit value SLS2 (p9531[1]/p9331[1]) * safety monitoring clock cycle (12 ms).
47: Position actual value (r9713[0/1]) - limit value SLS2 (p9531[1]/p9331[1]) * safety monitoring clock cycle (12 ms).
48: Position actual value (r9713[0/1]) + limit value SLS3 (p9531[2]/p9331[2]) * safety monitoring clock cycle (12 ms).
49: Position actual value (r9713[0/1]) - limit value SLS3 (p9531[2]/p9331[2]) * safety monitoring clock cycle (12 ms).
50: Position actual value (r9713[0/1]) + limit value SLS4 (p9531[3]/p9331[3]) * safety monitoring clock cycle (12 ms).
51: Position actual value (r9713[0/1]) - limit value SLS4 (p9531[3]/p9331[3]) * safety monitoring clock cycle (12 ms).
54: Position actual value (r9713[0/1]) + limit value nx (p9546/p9346) * safety monitoring clock cycle (12 ms) + tolerance (p9542/p9342).
55: Position actual value (r9713[0/1]) + limit value nx (p9546/p9346) * safety monitoring clock cycle (12 ms).
56: Position actual value (r9713[0/1]) - limit value nx (p9546/p9346) * safety monitoring clock cycle (12 ms).
57: Position actual value (r9713[0/1]) - limit value nx (p9546/p9346) * safety monitoring clock cycle (12 ms) - tolerance (p9542/p9342).
58: Actual stop request.
75: Velocity limit nx (p9546, p9346).
76: Stop response for SLS1 (p9563[0]/p9363[0])
77: Stop response for SLS2 (p9563[1]/p9363[1])
78: Stop response for SLS3 (p9563[2]/p9363[2])
79: Stop response for SLS4 (p9563[3]/p9363[3])
81: Velocity tolerance for SAM (p9548/p9348)
83: Acceptance test timer (p9558/p9358)
230: Filter time constant for n < nx.
231: Hysteresis tolerance for n < nx.
232: Smoothed velocity actual value.
233: Smoothed velocity actual value + limit value nx / safety monitoring clock cycle + hysteresis tolerance.
234: Smoothed velocity actual value + limit value nx / safety monitoring clock cycle.
235: Smoothed velocity actual value - limit value nx / safety monitoring clock cycle.
236: Smoothed velocity actual value - limit value nx / safety monitoring clock cycle - hysteresis tolerance.
237: SGA n < nx.
238: Speed limit value for SAM (p9568/p9368).
239: Acceleration for SBR (p9581/p9381 and p9583/p9383).
240: Inverse value of acceleration for SBR (p9581/p9381 and p9583/p9383).
241: Deceleration time for SBR (p9582/p9382).
244: Encoderless actual value sensing filter time (p9587/p9387).
245: Encoderless actual value sensing minimum current (p9588/p9388).
246: Voltage tolerance acceleration (p9589/p9389).
247: SDI tolerance (p9564/p9364).
248: SDI positive upper limit (7FFFFFFF hex).
249: Position actual value (r9713[0/1]) - SDI tolerance (p9564/p9364).
250: Position actual value (r9713[0/1]) + SDI tolerance (p9564/p9364).
251: SDI negative lower limit (80000001 hex).
252: SDI stop response (p9566/p9366).
253: SDI delay time (p9565/p9365).

254: Setting, behavior during pulse suppression (p9509/p9309).
256: Status image of monitoring functions SOS, SLS, SLP, test stop, SBR, SDI (result list 1 ext) (r9710).
258: Fault tolerance, actual value sensing encoderless (p9585/p9385).
1000: Watchdog timer has expired. Too many signal changes have occurred at the F-DI.
1001: Initialization error of watchdog timer.
1005: Pulses already suppressed for test stop selection.
1011: Acceptance test status between the monitoring channels differ.
1020: Cyc. communication failure between the monit. cycles.
1041: Current absolute value too low (encoderless)
1042: Current/voltage plausibility error
1043: Too many acceleration phases
1044: Actual current values plausibility error.
6000 ... 6999:

Error in the PROFIsafe control.

For these message values, the failsafe control signals (failsafe values) are transferred to the safety functions.

The significance of the individual message values is described in safety fault F01611.

Message values that have not been listed are only for internal Siemens troubleshooting.

See also: r9725 (SI Motion diagnostics STOP F)

Remedy:

Re message value = 0:

- no error was identified in this monitoring channel. Note the error message of the other monitoring channel (for processor 2: C30711).

Re message value = 3:

Commissioning phase:

- check the setting of the gear parameters on both monitoring channels (p9521/p9321, p9522/p9322).
- check the numerator of the gear ratio to ensure that it takes into account the motor pole pair number (p9522/p9322).

In operation:

- increase the ramp-function generator ramp-up/down time (p1120/p1121), reduce the dynamic performance of the drive.

Re message value = 1 ... 999:

- if the message value is listed under cause: Check the crosswise-compared parameters to which the message value refers.

- copy the safety parameters.
- carry out a POWER ON (power off/on).
- upgrade the Control Unit software.

Re message value = 1000:

- investigate the signal associated with the F-DI (contact problems).

Re message value = 1001:

- carry out a POWER ON (power off/on).
- upgrade the Control Unit software.

Re message value = 1005:

- check the conditions for pulse enable.

Re message value = 1011:

- for diagnostics, refer to parameter (r9571).

Re message value = 1020:

- carry out a POWER ON (power off/on).
- replace Control Unit.

Re message value = 1041:

- reduce the minimum current (p9588).

Re message value = 1042:

- increase the ramp-function generator ramp-up/down time (p1120/p1121).
- check that the current/speed control is set correctly (torque-generating/field-generating current and actual speed value may not fluctuate).
- reduce the dynamic response of the setpoint value.
- increase the minimum current (p9588).

Re message value = 1043:

- increase the voltage tolerance (p9589).
- increase the ramp-function generator ramp-up/down time (p1120/p1121).
- check that the current/speed control is set correctly (torque-generating/field-generating current and actual speed value may not fluctuate).
- reduce the dynamic response of the setpoint value.

Re message value = 6000 ... 6999:

Refer to the description of the message values in safety fault F01611.

This message can be acknowledged using "Acknowledge internal event".

C01712 SI Motion P1 (CU): Defect in F-IO processing

Message class: Safety monitoring channel has identified an error (10)

Reaction: NONE

Acknowledge: IMMEDIATELY (POWER ON)

Cause: When cross checking and comparing the two monitoring channels, the drive detected a difference between parameters or results of the F-IO processing and initiated a STOP F. One of the monitoring functions no longer reliably functions - i.e. safe operation is no longer possible.

The safety message C01711 with message value 0 is also displayed due to initiation of STOP F.

If at least one monitoring function is active, then safety message C01701 "SI Motion: STOP B initiated" is output.

Message value (r2124, interpret decimal):

Number of the cross-compared data that resulted in this message.

- 1: SI discrepancy monitoring time inputs (p10002, p10102).
- 2: SI acknowledgement internal event input terminal (p10006, p10106).
- 3: SI STO input terminal (p10022, p10122).
- 4: SI SS1 input terminal (p10023, p10123).
- 7: SI SLS input terminal (p10026, p10126).
- 13: Different states for static inactive signal sources (p10006, p10022 ... p10026).
- 14: SI discrepancy monitoring time outputs (p10002, p10102).
- 15: SI acknowledgment internal event (p10006, p10106).
- 46: SI digital inputs debounce time (p10017, p10117)
- 47: Selection F-DI for PROFIsafe (p10050, p10150)
- 48: Selection F-DI for PROFIsafe (p10050, p10150)
- 49: SI SDI positive input terminal (p10030, p10130).
- 50: SI SDI negative input terminal (p10031, p10131).

Remedy: - check parameterization in the parameters involved and correct if required.

- ensure equality by copying the SI data to processor 2 and then carry out an acceptance test.

Note:

This message can be acknowledged via F-DI or PROFIsafe.

Note:

F-DI: Failsafe Digital Input

SLS: Safely-Limited Speed

SS1: Safe Stop 1

STO: Safe Torque Off

C01714 SI Motion P1 (CU): Safely-Limited Speed exceeded

Message class: Safety monitoring channel has identified an error (10)

Reaction: NONE

Acknowledge: IMMEDIATELY (POWER ON)

Cause: The drive has moved faster than that specified by the velocity limit value (p9531). The drive is stopped as a result of the configured stop response (p9563).

Message value (r2124, interpret decimal):

- 100: SLS1 exceeded.
- 200: SLS2 exceeded.
- 300: SLS3 exceeded.
- 400: SLS4 exceeded.

4 Faults and alarms

4.2 List of faults and alarms

Remedy:

- check the traversing/motion program in the control.
- check limits for SLS and if required adapt accordingly (p9531).

This message can be acknowledged using "Acknowledge internal event".

Note:

SLS: Safely-Limited Speed

See also: p9531 (SI Motion SLS limit values (processor 1)), p9563 (SI Motion SLS-specific stop response (processor 1))

C01716 SI Motion P1 (CU): Tolerance for safe motion direction exceeded

Message class: Safety monitoring channel has identified an error (10)

Reaction: NONE

Acknowledge: IMMEDIATELY (POWER ON)

Cause: The tolerance for the "safe motion direction" function was exceeded. The drive is stopped as a result of the configured stop response (p9566).

Message value (r2124, interpret decimal):

0: Tolerance for the "safe motion direction positive" function exceeded.

1: Tolerance for the "safe motion direction negative" function exceeded.

Remedy:

- check the traversing/motion program in the control.

- check the tolerance for "SDI" function and if required, adapt (p9564).

This message can be acknowledged as follows:

- Deselect the "SDI" function and select again.

- carry out safe acknowledgment via "Acknowledgment internal event".

Note:

SDI: Safe Direction (safe motion direction)

SI: Safety Integrated

See also: p9564 (SI Motion SDI tolerance (processor 1)), p9565 (SI Motion SDI delay time (processor 1)), p9566 (SI Motion SDI stop response (processor 1))

C01770 SI Motion P1 (CU): Discrepancy error of the fail-safe inputs

Message class: Safety monitoring channel has identified an error (10)

Reaction: NONE

Acknowledge: IMMEDIATELY (POWER ON)

Cause: The fail-safe digital inputs (F-DI) show a different state longer than that parameterized in p10002 / p10102.

Fault value (r0949, interpret binary):

Bit 0: Discrepancy error for F-DI 0

Bit 1: Discrepancy error for F-DI 1

...

Note:

If several discrepancy errors occur consecutively, then this message is only signaled for the first error that occurs.

Remedy:

- check the wiring of the F-DI (contact problems).

Note:

This message can be acknowledged via F-DI or PROFIsafe.

Discrepancy errors of an F-DI can only be completely acknowledged if safe acknowledgement was carried out once the cause of the error was resolved (p10006 or acknowledgment via PROFIsafe). As long as safety acknowledgement was not carried out, the corresponding F-DI stays in the safe state internally.

For cyclic switching operations at the F-DI, it may be necessary to adapt the discrepancy time to the switching frequency.

If the period of a cyclic switching pulse corresponds to twice the value of p10002, then the following formulas should be checked:

- $p10002 < (tp / 2) - td$ (discrepancy time must be less than half the period minus the actual discrepancy time)

- $p10002 \geq p9500$ (discrepancy time must be no less than p9500)

- $p10002 > td$ (discrepancy time must be greater than the switch discrepancy time which may actually apply)

td = possible actual discrepancy time (in ms) that can occur with a switching operation. This must correspond to at least 1 SI monitoring cycle (see p9500).

tp = period for a switching operation in ms.

When debounce p10017 is active, the discrepancy time is directly specified by the debounce time.

If the period of a cyclic switching pulse corresponds to twice the debounce time, then the following formulas should be checked.

- $p10002 < p10017 + 1 \text{ ms} - t_d$

- $p10002 > t_d$

- $p10002 \geq p9500$

Example:

For a 12 ms SI monitoring cycle and a switching frequency of 110 ms ($p10017 = 0$), the maximum discrepancy time which can be set is as follows:

$p10002 \leq (110/2 \text{ ms}) - 12 \text{ ms} = 43 \text{ ms}$

Rounded-off, $p10002 \leq 36 \text{ ms}$ is obtained (since the discrepancy time can only be accepted as a whole SI monitoring cycle, the value will need to be rounded up or down to a whole SI monitoring cycle if the result is not an exact multiple of an SI monitoring cycle).

Note:

F-DI: Failsafe Digital Input

A01772	SI Motion P1 (CU): Test stop failsafe inputs/outputs active
Message class:	Safety monitoring channel has identified an error (10)
Reaction:	NONE
Acknowledge:	NONE
Cause:	The test stop for the fail-safe digital inputs (F-DI) and/or fail-safe digital outputs (F-DO) is presently being performed. Note: F-DI: Failsafe Digital Input F-DO: Failsafe Digital Output
Remedy:	The alarm disappears automatically after successfully ending or canceling (when a fault condition occurs) the test stop.

F01773	SI Motion P1 (CU): Test stop error
Message class:	Safety monitoring channel has identified an error (10)
Reaction:	NONE
Acknowledge:	IMMEDIATELY (POWER ON)
Cause:	A fault has occurred on processor 1 (P1) during the test stop for the fail-safe outputs. Fault value (r0949, interpret hexadecimal): RRRVWXYZ hex: R: Reserved. V: Actual state of the DO channel concerned (see X) on P1 (corresponds to the states read back from the hardware, bit 0 = DO 0, bit 1 = DO 1, etc.). W: Required state of the DO channel concerned (see X, bit 0 = DO 0, bit 1 = DO 1, etc.). X: DO channels involved, which indicate an error (bit 0 = DO 0, bit 1 = DO 1, etc.). Y: Reason for the test stop fault. Z: State of the test stop in which the fault has occurred.
	Y: Reason for the test stop fault Y = 1: MM side in incorrect test stop state (internal fault). Y = 2: Expected states of the DOs were not fulfilled (CU240D-2: readback via DI 5 / CU250S-2 readback via DI 6). Y = 3: Incorrect timer state on CU side (internal fault). Y = 4: Expected states of the diag DOs were not fulfilled (CU240D-2: internal readback on P2 channel / CU250S-2 readback via DI 6). Y = 5: Expected states of the second diag DOs were not fulfilled (CU240D-2: internal readback on P1 channel). X and V indicate the DI or Diag-DO state dependent upon the reason for the fault (2, 4 or 5). In the event of multiple test stop faults, the first one that occurred is shown.
	Z: Test stop state and associated test actions Z = 0 ... 3: Synchronization phase of test stop between P1 and P2 no switching operations Z = 4: DO + OFF and DO - OFF Z = 5: Check to see if states are as expected Z = 6: DO + ON and DO - ON

4 Faults and alarms

4.2 List of faults and alarms

Z = 7: Check to see if states are as expected
Z = 8: DO + OFF and DO - ON
Z = 9: Check to see if states are as expected
Z = 10: DO + ON and DO - OFF
Z = 11: Check to see if states are as expected
Z = 12: DO + OFF and DO - OFF
Z = 13: Check to see if states are as expected
Z = 14: End of test stop

Diag expected states in table format:

Test stop state: Expectation Mode 1 / Mode 2 / Mode 3 / Mode 4

5: 0/-/-1

7: 0/-/-0

9: 0/-/-0

11: 1/-/-1

13: 0/-/-1

Second diag expected states in table format:

Test stop state: Expectation Mode 1 / Mode 2 / Mode 3 / Mode 4

5: -/-/-1

7: -/-/-0

9: -/-/-1

11: -/-/-0

13: -/-/-1

DI expected states in table format:

Test stop state: Expectation Mode 1 / Mode 2 / Mode 3 / Mode 4

5: -/1/1/-

7: -/0/0/-

9: -/0/1/-

11: -/0/1/-

13: -/1/1/-

Example:

Fault F01773 (P1) is signaled with fault value = 0001_0127 and fault F30773 (P2) is signaled with fault value 0000_0127.

This means that in state 7 (Z = 7) the state of the external readback signal was not set correctly (Y = 2) after DO-0 (X = 1) was switched to ON/ON.

Fault value 0001_0127 indicates that 0 was expected (W = 0) and 1 (V = 1) was read back from the hardware.

Fault value 0000_0127 on the P2 indicates that the states were as expected.

In the case of fault F30773, W and V are always identical; a value of 0 always means that 0 was expected at the readback input but was not present on the other channel (P1).

Remedy:

Check the wiring of the F-DOs and restart the test stop.

Note:

The fault is withdrawn if the test stop is successfully completed.

In the event of multiple test stop faults, the first one that occurred is shown.

Once the test stop has been restarted the next queued test stop fault will be signaled (if there is one).

A01774

SI Motion P1 (CU): Test stop necessary

Message class:

Safety monitoring channel has identified an error (10)

Reaction:

NONE

Acknowledge:

NONE

Cause:

- after powering up the drive, a test stop has still not been carried out.
- a new test stop is required after commissioning.
- the time to carry out the forced checking procedure (test stop) has expired (p10003).

Note:

- The test must be performed within a defined, maximum time interval (p10003, maximum of 8760 hours) in order to comply with the requirements as laid down in the standards for timely fault detection and the conditions to calculate the failure rates of safety functions (PFH value). Operation beyond this maximum time period is permissible if it can be ensured that the forced checking procedure is performed before persons enter the hazardous area and who are depending on the safety functions correctly functioning.

Remedy: Initiate test stop (BI: p10007).

A01788 Automatic test stop: wait for STO deselection via SMM

Message class: Safety monitoring channel has identified an error (10)

Reaction: NONE

Acknowledge: NONE

Cause: The STO function is selected via Safety Extended Functions or a safety message is present, which results in STO. The automatic test stop was not able to be carried out since the power up. The automatic test stop is performed after deselecting STO.

Remedy: Deselect STO via Safety Extended Functions. Remove the cause of the safety message and acknowledge the fault.

A01789 Automatic test stop and brake test not permitted when test stop is selected

Message class: Safety monitoring channel has identified an error (10)

Reaction: NONE

Acknowledge: NONE

Cause: The parameterization of the automatic test stop (p9507.6/p9307.6) and the brake test when a test stop is selected (p10203 = 2) is not permissible. The test stop is not automatically carried out when the powering up.

Remedy: - correct the parameter assignment.
- set p10203 not equal to 2 or deactivate the automatic test stop.

Note:

A warm restart or POWER ON is required to carry out the automatic test stop.

A01796 (F, N) SI P1 (CU): Wait for communication

Message class: Communication error to the higher-level control system (9)

Reaction: NONE

Acknowledge: NONE

Cause: The drive waits for communication to be established to execute the safety-relevant motion monitoring functions.

Note:

In this state, the pulses are safely suppressed.

Alarm value (r2124, interpret decimal):

3: Wait for communication to be established to PROFIsafe F-Host.

Remedy: If, after a longer period of time, the message is not automatically withdrawn, the following checks have to be made:
- Check any other PROFIsafe communication messages/signals present and evaluate them.
- check the operating state of the F-Host.
- Check the communication connection to the F Host.

See also: p9601 (SI enable functions integrated in the drive (processor 1)), p9801 (SI enable functions integrated in the drive (processor 2))

C01798 SI Motion P1 (CU): Test stop running

Message class: Safety monitoring channel has identified an error (10)

Reaction: NONE

Acknowledge: IMMEDIATELY (POWER ON)

Cause: The test stop is active.

Remedy: Not necessary.

The message is withdrawn when the test stop is finished.

C01799	SI Motion P1 (CU): Acceptance test mode active
Message class:	Safety monitoring channel has identified an error (10)
Reaction:	NONE
Acknowledge:	IMMEDIATELY (POWER ON)
Cause:	The acceptance test mode is active.
Remedy:	Not necessary. The message is withdrawn when exiting the acceptance test mode.

F01800	DRIVE-CLiQ: Hardware/configuration error
Message class:	Internal (DRIVE-CLiQ) communication error (12)
Reaction:	NONE (IASC/DCBRK, OFF1, OFF2, OFF3, STOP2)
Acknowledge:	IMMEDIATELY (POWER ON)
Cause:	A DRIVE-CLiQ connection fault has occurred. Fault value (r0949, interpret decimal): 100 ... 107: Communication via DRIVE-CLiQ socket X100 ... X107 has not been switched to cyclic operation. The cause may be an incorrect structure or a configuration that results in an impossible bus timing. 10: Loss of the DRIVE-CLiQ connection. The cause may be, for example, that the DRIVE-CLiQ cable was withdrawn from the Control Unit or as a result of a short-circuit for motors with DRIVE-CLiQ. This fault can only be acknowledged in cyclic communication. 11: Repeated faults when detecting the connection. This fault can only be acknowledged in cyclic communication. 12: A connection was detected but the node ID exchange mechanism does not function. The reason is probably that the component is defective. This fault can only be acknowledged in cyclic communication.
Remedy:	Re fault value = 100 ... 107: - ensure that the DRIVE-CLiQ components have the same firmware versions. - avoid longer topologies for short current controller clock cycles. For fault value = 10: - check the DRIVE-CLiQ cables at the Control Unit. - remove any short-circuit for motors with DRIVE-CLiQ. - carry out a POWER ON. For fault value = 11: - check the electrical cabinet design and cable routing for EMC compliance For fault value = 12: - replace the component involved.

A01839	DRIVE-CLiQ diagnostics: cable fault to the component
Message class:	General drive fault (19)
Reaction:	NONE
Acknowledge:	NONE
Cause:	The fault counter (r9936[0...199]) to monitor the DRIVE-CLiQ connections/cables has been incremented. Alarm value (r2124, interpret decimal): Component number. Note: The component number specifies the component whose feeder cable from the direction of the Control Unit is faulted. The alarm automatically disappears after 5 seconds, assuming that no other data transfer error has occurred. See also: r9936 (DRIVE-CLiQ diagnostic error counter connection)
Remedy:	- check the corresponding DRIVE-CLiQ cables. - check the electrical cabinet design and cable routing for EMC compliance

A01840	SMI: Component found without motor data
Message class:	Hardware / software error (1)
Reaction:	NONE
Acknowledge:	NONE
Cause:	An SMI/DQI without motor data has been found (e.g. SMI installed as replacement part). Alarm value (r2124, interpret decimal): Component number from target topology.
Remedy:	1. Download the SMI/DQI data (motor/encoder data) from the data backup again (p4690, p4691). 2. Carry out a POWER ON (power off/on) for this component. Note: DQI: DRIVE-CLiQ Sensor Integrated SMI: SINAMICS Sensor Module Integrated See also: p4690 (SMI spare part component number), p4691 (SMI spare part save/download data)

A01900 (F)	PROFIBUS: Configuration telegram error
Message class:	Error in the parameterization / configuration / commissioning procedure (18)
Reaction:	NONE
Acknowledge:	NONE
Cause:	A PROFIBUS master attempts to establish a connection using an incorrect configuring telegram. Alarm value (r2124, interpret decimal): 2: Too many PZD data words for input or output. The number of possible PZD is specified by the number of indices in r2050/p2051. 3: Uneven number of bytes for input or output. 211: Unknown parameterizing block. 501: PROFIsafe parameter error (e.g. F_dest). 502: PROFIsafe telegram does not match. Additional values: Only for internal Siemens troubleshooting.
Remedy:	Check the bus configuration on the master and slave sides. Re alarm value = 2: Check the number of data words for input and output. Re alarm value = 211: Ensure offline version <= online version. Re alarm value = 501: Check the set PROFIsafe address (p9610). Re alarm value = 502: Check the enable of F-DI (p9501.30).

F01910 (N, A)	Fieldbus interface setpoint timeout
Message class:	Communication error to the higher-level control system (9)
Reaction:	OFF3 (IASC/DCBRK, NONE, OFF1, OFF2, STOP2)
Acknowledge:	IMMEDIATELY
Cause:	The reception of setpoints from the fieldbus interface has been interrupted. - bus connection interrupted. - communication partner switched off. For PROFIBUS: - PROFIBUS master set into the STOP state. See also: p2040 (Fieldbus interface monitoring time), p2047 (PROFIBUS additional monitoring time)
Remedy:	Ensure bus connection has been established and switch on communication peer. - if required, adapt p2040. For PROFIBUS: - set the PROFIBUS master to the RUN state. - slave redundancy: For operation on a Y link, it must be ensured that "DP alarm mode = DPV1" is set in the slave parameterization.

F01912 (N, A)	PB/PN clock cycle synchronous operation sign-of-life failure
Message class:	Communication error to the higher-level control system (9)
Reaction:	OFF1 (OFF3)
Acknowledge:	IMMEDIATELY
Cause:	The maximum permissible number of errors in the controller sign-of-life (clock synchronous operation) has been exceeded in cyclic operation.
Remedy:	<ul style="list-style-type: none">- physically check the bus (cables, connectors, terminating resistor, shielding, etc.).- correct the interconnection of the controller sign-of-life (p2045).- check whether the controller correctly sends the sign-of-life (e.g. create a trace with STW2.12 ... STW2.15 and trigger signal ZSW1.3).- check the permissible telegram failure rate (p0925).- check the bus and controller for utilization level (e.g. bus cycle time Tdp was set too short). Note: PB: PROFIBUS PN: PROFINET
<hr/>	
A01920 (F)	PROFIBUS: Interruption cyclic connection
Message class:	Communication error to the higher-level control system (9)
Reaction:	NONE
Acknowledge:	NONE
Cause:	The cyclic connection to the PROFIBUS master is interrupted.
Remedy:	Establish the PROFIBUS connection and activate the PROFIBUS master in the cyclic mode. Note: If there is no communication to a higher-level control system, then p2030 should be set = 0 to suppress this message. See also: p2030 (Field bus int protocol selection)
<hr/>	
A01944	PB/PN sign-of-life synchronism not reached
Message class:	Communication error to the higher-level control system (9)
Reaction:	NONE
Acknowledge:	NONE
Cause:	The bus is in the data exchange state and clock synchronous operation has been selected using the parameterizing telegram. Synchronization with the master sign-of-life (STW2.12 ... STW2.15) could not be completed because the sign-of-life is changing differently to how it was configured in the Tmapc time grid.
Remedy:	<ul style="list-style-type: none">- ensure that the master correctly increments the sign-of-life in the master application clock cycle Tmapc.- correct the interconnection of the master sign-of-life (p2045). Note: PB: PROFIBUS PN: PROFINET
<hr/>	
A01945	PROFIBUS: Connection to the Publisher failed
Message class:	Communication error to the higher-level control system (9)
Reaction:	NONE
Acknowledge:	NONE
Cause:	For PROFIBUS peer-to-peer data transfer, the connection to at least one Publisher has failed. Alarm value (r2124, interpret binary): Bit 0 = 1: Publisher with address in r2077[0], connection failed. ... Bit 15 = 1: Publisher with address in r2077[15], connection failed.
Remedy:	Check the PROFIBUS cables. See also: r2077 (PROFIBUS diagnostics peer-to-peer data transfer addresses)

F01946 (A)	PROFIBUS: Connection to the Publisher aborted
Message class:	Communication error to the higher-level control system (9)
Reaction:	OFF1 (NONE, OFF2, OFF3)
Acknowledge:	IMMEDIATELY (POWER ON)
Cause:	The connection to at least one Publisher for PROFIBUS peer-to-peer data transfer in cyclic operation has been aborted. Fault value (r0949, interpret binary): Bit 0 = 1: Publisher with address in r2077[0], connection aborted. ... Bit 15 = 1: Publisher with address in r2077[15], connection aborted.
Remedy:	- check the PROFIBUS cables. - check the state of the Publisher that has the aborted connection. See also: r2077 (PROFIBUS diagnostics peer-to-peer data transfer addresses)

F01951	CU SYNC: Synchronization application clock cycle missing
Message class:	Internal (DRIVE-CLiQ) communication error (12)
Reaction:	OFF2 (NONE)
Acknowledge:	IMMEDIATELY (POWER ON)
Cause:	Internal synchronization of the application cycles unsuccessful. Fault value (r0949, interpret decimal): Only for internal Siemens troubleshooting.
Remedy:	- carry out a POWER ON (power off/on) for all components. - upgrade the Control Unit software.

A01953	CU SYNC: Synchronization not completed
Message class:	Internal (DRIVE-CLiQ) communication error (12)
Reaction:	NONE
Acknowledge:	NONE
Cause:	After the drive system was powered up, synchronization between the basic clock cycle and application clock cycle was started but was not completed within the selected time tolerance. Alarm value (r2124, interpret decimal): Only for internal Siemens troubleshooting.
Remedy:	Carry out a POWER ON (power off/on).

A02050	Trace: Start not possible
Message class:	Error in the parameterization / configuration / commissioning procedure (18)
Reaction:	NONE
Acknowledge:	NONE
Cause:	The trace has already been started.
Remedy:	Stop the trace and, if necessary, start again.

A02051	Trace: recording not possible as a result of know-how protection
Message class:	Error in the parameterization / configuration / commissioning procedure (18)
Reaction:	NONE
Acknowledge:	NONE
Cause:	TRACE recording is not possible as at least one signal or trigger signal being used is under know-how protection. Alarm value (r2124, interpret decimal): 1: Recorder 0 2: Recorder 1 3: Recorders 0 and 1
Remedy:	- Temporarily activate or deactivate know-how protection (p7766). - Include the signal in the OEM exception list (p7763, p7764). - Where relevant do not record of the signal. See also: p7763 (KHP OEM exception list number of indices for p7764), p7764 (KHP OEM exception list)

4 Faults and alarms

4.2 List of faults and alarms

A02055	Trace: Recording time too short
Message class:	Error in the parameterization / configuration / commissioning procedure (18)
Reaction:	NONE
Acknowledge:	NONE
Cause:	The trace duration is too short. The minimum is twice the value of the trace clock cycle.
Remedy:	Check the selected recording time and, if necessary, adjust.

A02056	Trace: Recording cycle too short
Message class:	Error in the parameterization / configuration / commissioning procedure (18)
Reaction:	NONE
Acknowledge:	NONE
Cause:	The selected recording cycle is shorter than the selected basic clock cycle 0 (p0110[0]).
Remedy:	Increase the value for the trace cycle.

A02057	Trace: Time slice clock cycle invalid
Message class:	Error in the parameterization / configuration / commissioning procedure (18)
Reaction:	NONE
Acknowledge:	NONE
Cause:	The time slice clock cycle selected does not match any of the existing time slices.
Remedy:	Enter an existing time slice clock cycle. The existing time slices can be read out via p7901. See also: r7901 (Sampling times)

A02058	Trace: Time slice clock cycle for endless trace not valid
Message class:	Error in the parameterization / configuration / commissioning procedure (18)
Reaction:	NONE
Acknowledge:	NONE
Cause:	The selected time slice clock cycle cannot be used for the endless trace
Remedy:	Enter the clock cycle of an existing time slice with a cycle time ≥ 2 ms for up to 4 recording channels or ≥ 4 ms from 5 recording channels per trace. The existing time slices can be read out via p7901. See also: r7901 (Sampling times)

A02059	Trace: Time slice clock cycle for 2 x 8 recording channels not valid
Message class:	Error in the parameterization / configuration / commissioning procedure (18)
Reaction:	NONE
Acknowledge:	NONE
Cause:	The selected time slice clock cycle cannot be used for more than 4 recording channels.
Remedy:	Enter the clock cycle of an existing time slice with a cycle time ≥ 4 ms or reduce the number of recording channels to 4 per trace. The existing time slices can be read out via p7901. See also: r7901 (Sampling times)

A02060	Trace: Signal to be traced missing
Message class:	Error in the parameterization / configuration / commissioning procedure (18)
Reaction:	NONE
Acknowledge:	NONE
Cause:	- a signal to be traced was not specified. - the specified signals are not valid.
Remedy:	- specify the signal to be traced. - check whether the relevant signal can be traced.

A02061	Trace: Invalid signal
Message class:	Error in the parameterization / configuration / commissioning procedure (18)
Reaction:	NONE
Acknowledge:	NONE
Cause:	- the specified signal does not exist. - the specified signal can no longer be traced (recorded).
Remedy:	- specify the signal to be traced. - check whether the relevant signal can be traced.

A02062	Trace: Invalid trigger signal
Message class:	Error in the parameterization / configuration / commissioning procedure (18)
Reaction:	NONE
Acknowledge:	NONE
Cause:	- a trigger signal was not specified. - the specified signal does not exist. - the specified signal is not a fixed-point signal. - the specified signal cannot be used as a trigger signal for the trace.
Remedy:	Specify a valid trigger signal.

A02063	Trace: Invalid data type
Message class:	Error in the parameterization / configuration / commissioning procedure (18)
Reaction:	NONE
Acknowledge:	NONE
Cause:	The specified data type to select a signal using a physical address is invalid.
Remedy:	Use a valid data type.

A02070	Trace: Parameter cannot be changed
Message class:	Error in the parameterization / configuration / commissioning procedure (18)
Reaction:	NONE
Acknowledge:	NONE
Cause:	The trace parameter settings cannot be changed when the trace is active.
Remedy:	- stop the trace before parameterization. - if required, start the trace.

A02075	Trace: Pretrigger time too long
Message class:	Error in the parameterization / configuration / commissioning procedure (18)
Reaction:	NONE
Acknowledge:	NONE
Cause:	The selected pretrigger time must be shorter than the trace time.
Remedy:	Check the pretrigger time setting and change if necessary.

F02080	Trace: Parameterization deleted due to unit changeover
Message class:	Error in the parameterization / configuration / commissioning procedure (18)
Reaction:	NONE
Acknowledge:	IMMEDIATELY
Cause:	The trace parameterization in the drive unit was deleted due to a unit changeover or a change in the reference parameters.
Remedy:	Restart trace.

A02095	MTrace 0: multiple trace cannot be activated
Message class:	Error in the parameterization / configuration / commissioning procedure (18)
Reaction:	NONE
Acknowledge:	NONE
Cause:	The following functions or settings are not permissible in conjunction with a multiple trace (trace recorder 0): - measuring function - long-time trace

4 Faults and alarms

4.2 List of faults and alarms

- Remedy:**
- trigger condition "immediate recording start" (IMMEDIATE)
 - trigger condition "start with function generator" (FG_START)
 - if required, deactivate the multiple trace (p4840[0] = 0).
 - deactivate function or setting that is not permissible

A02096

MTrace 0: cannot be saved

Message class: Error in the parameterization / configuration / commissioning procedure (18)

Reaction: NONE

Acknowledge: NONE

Cause: It is not possible to save the measurement results of a multiple trace on the memory card (trace recorder 0).

A multiple trace is not started or is canceled.

Alarm value (r2124, interpret decimal):

1: Memory card cannot be accessed.

- card is not inserted or is blocked by a mounted USB drive.

3: data save operation to slow.

- a second trace has been completed before the measurement results of the first trace were able to be saved.

- writing the measurement result files to the card is blocked by the parameter save.

4: Data save operation canceled.

- for instance, the file required for the data save operation was not able to be found.

Remedy:

- insert or remove the memory card.

- use a larger memory card.

- configure a longer trace time or use an endless trace.

- avoid saving parameters while a multiple trace is running.

- check whether other functions are presently accessing measurement result files.

A02097

MTrace 1: multiple trace cannot be activated

Message class: Error in the parameterization / configuration / commissioning procedure (18)

Reaction: NONE

Acknowledge: NONE

Cause: The following functions or settings are not permissible in conjunction with a multiple trace (trace recorder 1):

- measuring function

- long-time trace

- trigger condition "immediate recording start" (IMMEDIATE)

- trigger condition "start with function generator" (FG_START)

Remedy:

- if required, deactivate the multiple trace (p4840[1] = 0).

- deactivate function or setting that is not permissible

A02098

MTrace 1: cannot be saved

Message class: Error in the parameterization / configuration / commissioning procedure (18)

Reaction: NONE

Acknowledge: NONE

Cause: It is not possible to save the measurement results of a multiple trace on the memory card (trace recorder 1).

A multiple trace is not started or is canceled.

Alarm value (r2124, interpret decimal):

1: Memory card cannot be accessed.

- card is not inserted or is blocked by a mounted USB drive.

3: data save operation to slow.

- a second trace has been completed before the measurement results of the first trace were able to be saved.

- writing the measurement result files to the card is blocked by the parameter save.

4: Data save operation canceled.

- for instance, the file required for the data save operation was not able to be found.

Remedy:

- insert or remove the memory card.

- use a larger memory card.

- configure a longer trace time or use an endless trace.

- avoid saving parameters while a multiple trace is running.
- check whether other functions are presently accessing measurement result files.

A02099 **Trace: Insufficient Control Unit memory**
Message class: Error in the parameterization / configuration / commissioning procedure (18)
Reaction: NONE
Acknowledge: NONE
Cause: The memory space still available on the Control Unit is no longer sufficient for the trace function.
Remedy: Reduce the memory required, e.g. as follows:
- reduce the trace time.
- increase the trace clock cycle.
- reduce the number of signals to be traced.

A02150 **OA: Application cannot be loaded**
Message class: Hardware / software error (1)
Reaction: NONE
Acknowledge: NONE
Cause: The system was not able to load an OA application.
Alarm value (r2124, interpret hexadecimal):
16:
The interface version in the DCB user library is not compatible to the DCC standard library that has been loaded.
Only for internal Siemens troubleshooting.
Remedy: - carry out a POWER ON (power off/on) for all components.
- upgrade firmware to later version.
- contact the Hotline.
Re alarm value = 16:
Load a compatible DCB user library (compatible to the interface of the DCC standard library).
Note:
OA: Open Architecture

F02151 (A) **OA: Internal software error**
Message class: Hardware / software error (1)
Reaction: OFF2 (NONE, OFF1, OFF3)
Acknowledge: IMMEDIATELY (POWER ON)
Cause: An internal software error has occurred within an OA application.
Fault value (r0949, interpret hexadecimal):
Only for internal Siemens troubleshooting.
Remedy: - carry out a POWER ON (power off/on) for all components.
- upgrade firmware to later version.
- contact the Hotline.
- replace the Control Unit.
Note:
OA: Open Architecture

F02152 (A) **OA: Insufficient memory**
Message class: Hardware / software error (1)
Reaction: OFF1
Acknowledge: IMMEDIATELY (POWER ON)
Cause: Too many functions have been configured on this Control Unit (e.g. too many drives, function modules, data sets, OA applications, blocks, etc).
Fault value (r0949, interpret decimal):
Only for internal Siemens troubleshooting.
Remedy: - change the configuration on this Control Unit (e.g. fewer drives, function modules, data sets, OA applications, blocks, etc).
- use an additional Control Unit.

Note:

OA: Open Architecture

F03000	NVRAM fault on action
Message class:	Hardware / software error (1)
Reaction:	NONE
Acknowledge:	IMMEDIATELY
Cause:	A fault occurred during execution of action p7770 = 1 or 2 for the NVRAM data. Fault value (r0949, interpret hexadecimal): yyxx hex: yy = fault cause, xx = application ID yy = 1: The action p7770 = 1 is not supported by this version if Drive Control Chart (DCC) is activated for the drive object concerned. yy = 2: The data length of the specified application is not the same in the NVRAM and the backup. yy = 3: The data checksum in p7774 is not correct. yy = 4: No data available to load.
Remedy:	- Perform the remedy according to the results of the troubleshooting. - If necessary, start the action again.

F03001	NVRAM checksum incorrect
Message class:	Hardware / software error (1)
Reaction:	NONE
Acknowledge:	IMMEDIATELY
Cause:	A checksum error occurred when evaluating the non-volatile data (NVRAM) on the Control Unit. The NVRAM data affected was deleted.
Remedy:	Carry out a POWER ON (power off/on) for all components.

F03500 (A)	TM: Initialization
Message class:	Hardware / software error (1)
Reaction:	OFF1 (OFF2)
Acknowledge:	IMMEDIATELY (POWER ON)
Cause:	When initializing the Terminal Modules, the terminals of the Control Unit or the Terminal Board 30, an internal software error has occurred. Fault value (r0949, interpret decimal): yxxx dex y = Only for internal Siemens troubleshooting xxx = component number (p0151)
Remedy:	- power down/power up the power supply for the Control Unit. - check the DRIVE-CLiQ connection. - if required, replace the Terminal Module. The Terminal Module should be directly connected to a DRIVE-CLiQ socket of the Control Unit. If the fault occurs again, replace the Terminal Module.

A03501	TM: Sampling time change
Message class:	Error in the parameterization / configuration / commissioning procedure (18)
Reaction:	NONE
Acknowledge:	NONE
Cause:	The sampling times of the inputs/outputs were changed. This change only becomes valid after the next boot.
Remedy:	Carry out a POWER ON.

F03505 (N, A)	Analog input wire breakage
Message class:	External measured value / signal state outside the permissible range (16)
Reaction:	OFF1 (NONE, OFF2)
Acknowledge:	IMMEDIATELY (POWER ON)
Cause:	The wire-break monitoring for an analog input has responded. The input current of the analog input has undershot the threshold value parameterized in p0761[0...1]. p0756[0]: analog input 0 (terminal 3/4) p0756[1]: analog input 1 (terminal 10/11) Fault value (r0949, interpret decimal): Note: For the following analog input type, the wire breakage monitoring is active: p0756[0...1] = 3 (4 ... 20 mA with monitoring)
Remedy:	- Check the wiring to the signal source for interruptions. - Check the magnitude of the injected current - it is possible that the infed signal is too low. - Check the load resistor (250 Ohm). Note: The input current measured by the analog input can be read in r0752[0]. For p756[0...1] = 3 (unipolar current input monitored (+4 ... +20 mA)) the following applies: A current less than 4 mA is not displayed in r752[0...1] - but instead r752[0...1] = 4 mA is output.
<hr/>	
A03506 (F, N)	24 V power supply missing
Message class:	Supply voltage fault (undervoltage) (3)
Reaction:	NONE
Acknowledge:	NONE
Cause:	The 24 V power supply for the digital outputs (X124) is missing.
Remedy:	Check the terminals for the power supply voltage (X124, L1+, M).
<hr/>	
A03510 (F, N)	Calibration data not plausible
Message class:	Hardware / software error (1)
Reaction:	NONE
Acknowledge:	NONE
Cause:	During booting, the calibration data for the analog inputs is read and checked with respect to plausibility. At least one calibration data point was determined to be invalid.
Remedy:	- power down/power up the power supply for the Control Unit. Note: If it reoccurs, then replace the module. In principle, operation could continue. The analog channel involved possibly does not achieve the specified accuracy.
<hr/>	
A03520 (F, N)	Temperature sensor fault
Message class:	External measured value / signal state outside the permissible range (16)
Reaction:	NONE
Acknowledge:	NONE
Cause:	When evaluating the temperature sensor, an error occurred. It is expected that an LG-Ni1000 temperature sensor (p0756[2...3] = 6) or PT1000 p0756[2...3] = 7 is connected via the analog input. Alarm value (r2124, interpret decimal): 33: Analog input 2 (AI2) wire breakage or sensor not connected. 34: Analog input 2 (AI2) measured resistance too low (short circuit). 49: Analog input 3 (AI3) wire breakage or sensor not connected. 50: Analog input 3 (AI3) measured resistance too low (short circuit). See also: p0756 (CU analog inputs type)
Remedy:	- make sure that the sensor is connected correctly. - check the sensor for correct function and if required, replace. - change over the analog input to type "no sensor connected" (p0756 = 8).

4 Faults and alarms

4.2 List of faults and alarms

A03550	TM: Speed setpoint filter natural frequency > Shannon frequency
Message class:	Error in the parameterization / configuration / commissioning procedure (18)
Reaction:	NONE
Acknowledge:	NONE
Cause:	The natural filter frequency of the speed setpoint filter (p1417) is greater than or equal to the Shannon frequency. The Shannon frequency is calculated according to the following formula: 0.5 / p4099[3]
Remedy:	Reduce the natural frequency of the speed setpoint filter (PT2 low pass) (p1417).

A05000 (N)	Power unit: Overtemperature heat sink AC inverter
Message class:	Power electronics faulted (5)
Reaction:	NONE
Acknowledge:	NONE
Cause:	The alarm threshold for overtemperature at the inverter heat sink has been reached. The response is set using p0290. If the temperature of the heat sink increases by an additional 5 K, then fault F30004 is initiated.
Remedy:	Check the following: <ul style="list-style-type: none">- is the ambient temperature within the defined limit values?- have the load conditions and the load duty cycle been appropriately dimensioned?- has the cooling failed?

A05001 (N)	Power unit: Overtemperature depletion layer chip
Message class:	Power electronics faulted (5)
Reaction:	NONE
Acknowledge:	NONE
Cause:	Alarm threshold for overtemperature of the power semiconductor in the AC converter has been reached. Note: <ul style="list-style-type: none">- The response is set using p0290.- If the depletion layer temperature increases by an additional 15 K, then fault F30025 is triggered.
Remedy:	Check the following: <ul style="list-style-type: none">- is the ambient temperature within the defined limit values?- have the load conditions and the load duty cycle been appropriately dimensioned?- has the cooling failed?- pulse frequency too high? See also: r0037 (Power unit temperatures), p0290 (Power unit overload response)

A05002 (N)	Power unit: Air intake overtemperature
Message class:	Power electronics faulted (5)
Reaction:	NONE
Acknowledge:	NONE
Cause:	For chassis power units, the following applies: The alarm threshold for the air intake overtemperature has been reached. For air-cooled power units, the threshold is 42 °C (hysteresis 2 K). The response is set using p0290. If the air intake temperature increases by an additional 13 K, then fault F30035 is output.
Remedy:	Check the following: <ul style="list-style-type: none">- is the ambient temperature within the defined limit values?- has the fan failed? Check the direction of rotation.

A05004 (N)	Power unit: Rectifier overtemperature
Message class:	Power electronics faulted (5)
Reaction:	NONE
Acknowledge:	NONE
Cause:	The alarm threshold for the overtemperature of the rectifier has been reached. The response is set using p0290. If the temperature of the rectifier increases by an additional 5 K, then fault F30037 is triggered.

Remedy: Check the following:

- is the ambient temperature within the defined limit values?
- have the load conditions and the load duty cycle been appropriately dimensioned?
- has the fan failed? Check the direction of rotation.
- has a phase of the line supply failed?
- is an arm of the supply (incoming) rectifier defective?

A05006 (N) Power unit: Overtemperature thermal model

Message class: Power electronics faulted (5)
Reaction: NONE
Acknowledge: NONE
Cause: The temperature difference between the chip and heat sink has exceeded the permissible limit value (blocksize power units only).
Depending on p0290, an appropriate overload response is initiated.
See also: r0037 (Power unit temperatures)

Remedy: Not necessary.
The alarm disappears automatically once the limit value is undershot.
Note:
If the alarm does not disappear automatically and the temperature continues to rise, this can result in fault F30024.
See also: p0290 (Power unit overload response)

A05065 (F, N) Voltage measured values not plausible

Message class: Power electronics faulted (5)
Reaction: NONE
Acknowledge: NONE
Cause: The voltage measurement does not supply any plausible values and is not used.
Alarm value (r2124, interpret bitwise binary):
Bit 1: Phase U
Bit 2: Phase V
Bit 3: Phase W

Remedy: The following parameterization must be made in order to deactivate the alarm:

- Deactivate voltage measurement (p0247.0 = 0).
- Deactivate flying restart with voltage measurement (p0247.5 = 0) and deactivate fast flying restart (p1780.11 = 0).

F05118 (A) Pre-charging contactor simultaneity monitoring time exceeded

Message class: Infeed faulted (13)
Reaction: OFF2 (NONE, OFF1)
Acknowledge: IMMEDIATELY (POWER ON)
Cause: A feedback signal for the pre-charging contactor (ALM, SLM, BLM diode) or the line contactor (BLM thyristor) interconnected and the simultaneity monitoring (p0255[4, 6]) activated.
After opening or closing a contactor of the parallel connection, after a monitoring time has elapsed, not all of the contactors have assumed the same state.
Fault value (r0949, interpret binary):
Bit 0 = 1: simultaneity error when closing the contactors.
Bit 1 = 1: simultaneity error when opening the contactors.
Bit 16 = 1: PDS0 contactor is closed.
Bit 17 = 1: PDS1 contactor is closed.
Bit 18 = 1: PDS2 contactor is closed.
Bit 19 = 1: PDS3 contactor is closed.
Bit 20 = 1: PDS4 contactor is closed.
Bit 21 = 1: PDS5 contactor is closed.
Bit 22 = 1: PDS6 contactor is closed.
Bit 23 = 1: PDS7 contactor is closed.
Note:
PDS: Power unit Data Set

4 Faults and alarms

4.2 List of faults and alarms

- Remedy:**
- check the monitoring time setting (p0255[4, 6]).
 - check the contactor wiring and activation.
 - if required, replace the contactor.

F05119 (A) Bypass contactor simultaneity monitoring time exceeded

Message class: Infeed faulted (13)

Reaction: OFF2 (NONE, OFF1)

Acknowledge: IMMEDIATELY (POWER ON)

Cause: A feedback signal for the bypass contactor is interconnected and the simultaneity monitoring (p0255[5, 7]) activated. After opening or closing a contactor of the parallel connection, after a monitoring time has elapsed, not all of the contactors have assumed the same state.

Fault value (r0949, interpret binary):

Bit 0 = 1: simultaneity error when closing the contactors.

Bit 1 = 1: simultaneity error when opening the contactors.

Bit 16 = 1: PDS0 contactor is closed.

Bit 17 = 1: PDS1 contactor is closed.

Bit 18 = 1: PDS2 contactor is closed.

Bit 19 = 1: PDS3 contactor is closed.

Bit 20 = 1: PDS4 contactor is closed.

Bit 21 = 1: PDS5 contactor is closed.

Bit 22 = 1: PDS6 contactor is closed.

Bit 23 = 1: PDS7 contactor is closed.

Note:

PDS: Power unit Data Set

- Remedy:**
- check the monitoring time setting (p0255[5, 7]).
 - check the wiring and control of the contactor.
 - if required, replace the contactor.

F06310 (A) Supply voltage (p0210) incorrectly parameterized

Message class: Network fault (2)

Reaction: NONE (OFF1, OFF2)

Acknowledge: IMMEDIATELY (POWER ON)

Cause: The measured DC voltage lies outside the tolerance range after pre-charging has been completed.

Permissible range: $1.16 * p0210 < r0070 < 1.6 * p0210$

Note:

The fault can only be acknowledged when the drive is powered down.

See also: p0210 (Drive unit line supply voltage)

- Remedy:**
- check the parameterized supply voltage and if required change (p0210).
 - check the line supply voltage.
 - See also: p0210 (Drive unit line supply voltage)

A06921 (N) Braking resistor phase unsymmetry

Message class: Braking Module faulted (14)

Reaction: NONE

Acknowledge: NONE

Cause:

- the three resistors of the braking chopper are not symmetrical.
- DC link voltage oscillations caused by fluctuating loads of the connected drives.

- Remedy:**
- check the feeder cables to the braking resistors.
 - If required, increase the value for detecting dissymmetry (p1364).

F06922	Braking resistor phase failure
Message class:	Braking Module faulted (14)
Reaction:	NONE
Acknowledge:	IMMEDIATELY
Cause:	A phase failure for the brake resistor was detected. Fault value (r0949, interpret decimal): 11: Phase U 12: Phase V 13: Phase W See also: p3235 (Phase failure signal motor monitoring time)
Remedy:	Check the feeder cables to the braking resistors.
<hr/>	
F07011	Drive: Motor overtemperature
Message class:	Motor overload (8)
Reaction:	OFF2 (NONE, OFF1, OFF3, STOP2)
Acknowledge:	IMMEDIATELY
Cause:	KTY: The motor temperature has exceeded the fault threshold (p0605) or the timer (p0606) after the alarm threshold was exceeded (p0604) has expired. The response parameterized in p0610 becomes active. The alarm is withdrawn if the response threshold for wire breakage or sensor not connected is exceeded (R > 2120 Ohm). PTC or bimetallic NC contact: The response threshold of 1650 Ohm was exceeded or the NC contact opened and the timer (p0606) has expired. The response parameterized in p0610 becomes active. Possible causes: - Motor is overloaded - motor ambient temperature too high. - Wire break or sensor not connected Fault value (r0949, interpret decimal): 200: The motor temperature model 1 (I2t) signals an overtemperature (p0612.0 = 1, p0611 > 0, p0615 reached). See also: p0604, p0605, p0606, p0612, p0625, p0626, p0627, p0628
Remedy:	- Reduce the motor load. - check the ambient temperature and the motor ventilation. - check the wiring and the connection of the PTC or bimetallic NC contact. See also: p0604, p0605, p0606, p0612, p0625, p0626, p0627, p0628
<hr/>	
A07012 (N)	Drive: Motor temperature model 1/3 overtemperature
Message class:	Motor overload (8)
Reaction:	NONE
Acknowledge:	NONE
Cause:	The motor temperature model 1/3 identified that the alarm threshold was exceeded. Hysteresis:2K. Alarm value (r2124, interpret decimal): 200: Motor temperature model 1 (I2t): Temperature too high (p0605). 300: Motor temperature model 3: Temperature too high (p5398). See also: r0034 (Motor utilization thermal), p0605 (Mot_temp_mod 1/2 threshold), p0611 (I2t motor model thermal time constant), p0612 (Mot_temp_mod activation)
Remedy:	- check the motor load and if required, reduce. - check the motor ambient temperature. - check activation of the motor temperature model (p0612). Motor temperature model 1 (I2t): - check the thermal time constant (p0611). - check the alarm threshold (p0605).

4 Faults and alarms

4.2 List of faults and alarms

Motor temperature model 3:

- check the motor type.
- check the alarm threshold (p5398).
- check the model parameters.

See also: r0034 (Motor utilization thermal), p0605 (Mot_temp_mod 1/2 threshold), p0611 (I2t motor model thermal time constant), p0612 (Mot_temp_mod activation), r5397 (Mot_temp_mod 3 ambient temperature image p0613)

A07014 (N)	Drive: Motor temperature model configuration alarm
Message class:	Motor overload (8)
Reaction:	NONE
Acknowledge:	NONE
Cause:	A fault has occurred in the configuration of the motor temperature model. Alarm value (r2124, interpret decimal): 1: All motor temperature models: It is not possible to save the model temperature See also: p0610 (Motor overtemperature response)
Remedy:	- set the response for motor overtemperature to "Alarm and fault, no reduction of I_max" (p0610 = 2). See also: p0610 (Motor overtemperature response)

A07015	Drive: Motor temperature sensor alarm
Message class:	External measured value / signal state outside the permissible range (16)
Reaction:	NONE
Acknowledge:	NONE
Cause:	An error was detected when evaluating the temperature sensor set in p0601. With the fault, the time in p0607 is started. If the fault is still present after this time has expired, then fault F07016 is output; however, at the earliest, 50 ms after alarm A07015. Possible causes: - wire breakage or sensor not connected (KTY: R > 2120 Ohm). - measured resistance too low (PTC: R < 20 Ohm, KTY: R < 50 Ohm).
Remedy:	- make sure that the sensor is connected correctly. - check the parameterization (p0601). See also: r0035 (Motor temperature), p0601 (Motor temperature sensor type), p0607 (Temperature sensor fault timer)

F07016	Drive: Motor temperature sensor fault
Message class:	External measured value / signal state outside the permissible range (16)
Reaction:	OFF1 (NONE, OFF2, OFF3, STOP2)
Acknowledge:	IMMEDIATELY
Cause:	An error was detected when evaluating the temperature sensor set in p0601. Possible causes: - wire breakage or sensor not connected (KTY: R > 2120 Ohm). - measured resistance too low (PTC: R < 20 Ohm, KTY: R < 50 Ohm). Note: If alarm A07015 is present, the time in p0607 is started. If the fault is still present after this time has expired, then fault F07016 is output; however, at the earliest, 50 ms after alarm A07015. See also: p0607 (Temperature sensor fault timer)
Remedy:	- make sure that the sensor is connected correctly. - check the parameterization (p0601). - induction motors: De-activate temperature sensor fault (p0607 = 0). See also: r0035 (Motor temperature), p0601 (Motor temperature sensor type), p0607 (Temperature sensor fault timer)

F07080	Drive: Incorrect control parameter
Message class:	Error in the parameterization / configuration / commissioning procedure (18)
Reaction:	NONE
Acknowledge:	IMMEDIATELY (POWER ON)
Cause:	The closed-loop control parameters have been parameterized incorrectly (e.g. p0356 = L_spread = 0). Fault value (r0949, interpret decimal): The fault value includes the parameter number involved. The following parameter numbers only occur as fault values for vector drives: p0310, for synchronous motors: p0341, p0344, p0350, p0357 The following parameter numbers do not occur as fault values for synchronous motors: p0354, p0358, p0360 See also: p0310, p0311, p0341, p0344, p0350, p0354, p0356, p0357, p0358, p0360, p0400, p0404, p0408, p0640, p1082, p1300
Remedy:	Modify the parameter indicated in the fault value (r0949) (e.g. p0640 = current limit > 0). See also: p0311, p0341, p0344, p0350, p0354, p0356, p0358, p0360, p0400, p0404, p0408, p0640, p1082

F07082	Macro: Execution not possible
Message class:	Error in the parameterization / configuration / commissioning procedure (18)
Reaction:	NONE
Acknowledge:	IMMEDIATELY
Cause:	The macro cannot be executed. Fault value (r0949, interpret hexadecimal): ccccbbaa hex: cccc = preliminary parameter number, bb = supplementary information, aa = fault cause Fault causes for the trigger parameter itself: 19: Called file is not valid for the trigger parameter. 20: Called file is not valid for parameter 15. 21: Called file is not valid for parameter 700. 22: Called file is not valid for parameter 1000. 23: Called file is not valid for parameter 1500. 24: Data type of a TAG is incorrect (e.g. Index, number or bit is not U16). Fault causes for the parameters to be set: 25: Error level has an undefined value. 26: Mode has an undefined value. 27: A value was entered as string in the tag value that is not "DEFAULT". 31: Entered drive object type unknown. 32: A device was not able to be found for the determined drive object number. 34: A trigger parameter was recursively called. 35: It is not permissible to write to the parameter via macro. 36: Check, writing to a parameter unsuccessful, parameter can only be read, not available, incorrect data type, value range or assignment incorrect. 37: Source parameter for a BICO interconnection was not able to be determined. 38: An index was set for a non-indexed (or CDS-dependent) parameter. 39: No index was set for an indexed parameter. 41: A bit operation is only permissible for parameters with the parameter format DISPLAY_BIN. 42: A value not equal to 0 or 1 was set for a BitOperation. 43: Reading the parameter to be changed by the BitOperation was unsuccessful. 51: Factory setting for DEVICE may only be executed on the DEVICE. 61: The setting of a value was unsuccessful.
Remedy:	- check the parameter involved. - check the macro file and BICO interconnection. See also: p0015, p1000, p1500

4 Faults and alarms

4.2 List of faults and alarms

F07083	Macro: ACX file not found
Message class:	Error in the parameterization / configuration / commissioning procedure (18)
Reaction:	NONE
Acknowledge:	IMMEDIATELY
Cause:	The ACX file (macro) to be executed was not able to be found in the appropriate directory. Fault value (r0949, interpret decimal): Parameter number with which the execution was started. See also: p0015, p1000, p1500
Remedy:	- check whether the file is saved in the appropriate directory on the memory card.
<hr/>	
F07084	Macro: Condition for WaitUntil not fulfilled
Message class:	Error in the parameterization / configuration / commissioning procedure (18)
Reaction:	NONE
Acknowledge:	IMMEDIATELY
Cause:	The WaitUntil condition set in the macro was not fulfilled in a certain number of attempts. Fault value (r0949, interpret decimal): Parameter number for which the condition was set.
Remedy:	Check and correct the conditions for the WaitUntil loop.
<hr/>	
F07086	Units changeover: Parameter limit violation due to reference value change
Message class:	Error in the parameterization / configuration / commissioning procedure (18)
Reaction:	NONE
Acknowledge:	IMMEDIATELY
Cause:	A reference parameter was changed in the system. This resulted in the fact that for the parameters involved, the selected value was not able to be written in the per unit notation. The values of the parameters were set to the corresponding violated minimum limit/maximum limit or to the factory setting. Possible causes: - the steady-state minimum limit/maximum limit or that defined in the application was violated. Fault value (r0949, parameter): Diagnostics parameter to display the parameters that were not able to be re-calculated. See also: p0304, p0305, p0310, p0596, p2000, p2001, p2002, p2003, r2004
Remedy:	Check the adapted parameter value and if required correct.
<hr/>	
F07088	Units changeover: Parameter limit violation due to units changeover
Message class:	Error in the parameterization / configuration / commissioning procedure (18)
Reaction:	NONE
Acknowledge:	IMMEDIATELY
Cause:	A changeover of units was initiated. This resulted in a violation of a parameter limit Possible causes for the violation of a parameter limit: - When rounding off a parameter corresponding to its decimal places, the steady-state minimum limit or maximum limit was violated. - inaccuracies for the data type "FloatingPoint". In these cases, when the minimum limit is violated then the parameter value is rounded up and when the maximum limited is violated the parameter value is rounded down. Fault value (r0949, interpret decimal): Diagnostics parameter r9451 to display all parameters whose value had to be adapted. See also: p0100 (IEC/NEMA mot stds), p0505 (Selecting the system of units), p0595 (Technological unit selection)
Remedy:	Check the adapted parameter values and if required correct. See also: r9451 (Units changeover adapted parameters)
<hr/>	
A07089	Changing over units: Function module activation is blocked because the units have

been changed over

Message class:	Error in the parameterization / configuration / commissioning procedure (18)
Reaction:	NONE
Acknowledge:	NONE
Cause:	An attempt was made to activate a function module. This is not permissible if the units have already been changed over. See also: p0100 (IEC/NEMA mot stds), p0505 (Selecting the system of units)
Remedy:	Restore units that have been changed over to the factory setting.

A07092 Drive: moment of inertia estimator still not ready

Message class:	Error in the parameterization / configuration / commissioning procedure (18)
Reaction:	NONE
Acknowledge:	NONE
Cause:	The moment of inertia estimator still has no valid values. The acceleration cannot be calculated. The moment of inertia estimator is ready, if the frictional values (p1563, p1564) as well as the moment of inertia value (p1493) have been determined (r1407.26 = 1).
Remedy:	Repeat the operation when the moment of inertia estimator is ready (r1407.26 = 1).

A07200 Drive: Master control ON command present

Message class:	Error in the parameterization / configuration / commissioning procedure (18)
Reaction:	NONE
Acknowledge:	NONE
Cause:	The ON/OFF1 command is present (no 0 signal). The command is either influenced via binector input p0840 (current CDS) or control word bit 0 via the master control.
Remedy:	Switch the signal via binector input p0840 (current CDS) or control word bit 0 via the master control to 0.

F07220 (N, A) Drive: Master control by PLC missing

Message class:	Communication error to the higher-level control system (9)
Reaction:	OFF1 (NONE, OFF2, OFF3, STOP2)
Acknowledge:	IMMEDIATELY
Cause:	The "master control by PLC" signal was missing in operation. - interconnection of the binector input for "master control by PLC" is incorrect (p0854). - the higher-level control has withdrawn the "master control by PLC" signal. - data transfer via the fieldbus (master/drive) was interrupted.
Remedy:	- check the interconnection of the binector input for "master control by PLC" (p0854). - check the "master control by PLC" signal and, if required, switch in. - check the data transfer via the fieldbus (master/drive). Note: If the drive should continue to operate after withdrawing "master control by PLC" then fault response must be parameterized to NONE or the message type should be parameterized as alarm.

F07300 (A) Drive: Line contactor feedback signal missing

Message class:	Auxiliary unit faulted (20)
Reaction:	OFF2 (NONE)
Acknowledge:	IMMEDIATELY
Cause:	- the line contactor was not able to be closed within the time in p0861. - the line contactor was not able to be opened within the time in p0861. - the line contactor dropped out during operation - the line contactor has closed although the drive converter is powered down.
Remedy:	- check the setting of p0860. - check the feedback circuit from the line contactor. - increase the monitoring time in p0861. See also: p0860 (Line contactor feedback signal), p0861 (Line contactor monitoring time)

4 Faults and alarms

4.2 List of faults and alarms

F07320	Drive: Automatic restart interrupted
Message class:	Application / technological function faulted (17)
Reaction:	OFF2
Acknowledge:	IMMEDIATELY
Cause:	<ul style="list-style-type: none">- The specified number of restart attempts (p1211) has been completely used up because within the monitoring time (p1213) the faults were not able to be acknowledged. The number of restart attempts (p1211) is decremented at each new start attempt.- there is no active ON command.- the monitoring time for the power unit has expired (p0857).- when exiting commissioning or at the end of the motor identification routine or the speed controller optimization, the drive unit is not automatically powered up again. Fault value (r0949, interpret hexadecimal): Only for internal Siemens troubleshooting.
Remedy:	<ul style="list-style-type: none">- increase the number of restart attempts (p1211). The actual number of starting attempts is displayed in r1214.- increase the delay time in p1212 and/or the monitoring time in p1213.- issue an ON command (p0840).- either increase or disable the monitoring time of the power unit (p0857).- Reduce the delay time for resetting the start counter (p1213[1]) so that fewer faults are registered in the time interval.
<hr/>	
A07321	Drive: Automatic restart active
Message class:	Application / technological function faulted (17)
Reaction:	NONE
Acknowledge:	NONE
Cause:	The automatic restart (AR) is active. When the line supply returns and/or the causes of the existing faults are removed the drive is automatically restarted. The pulses are enabled and the motor starts to rotate. For p1210 = 26, restarting is realized with the delayed setting of the ON command.
Remedy:	<ul style="list-style-type: none">- the automatic restart (AR) should, if required, be inhibited (p1210 = 0).- an automatic restart can be directly interrupted by withdrawing the power-on command (BI: p0840).- for p1210 = 26: by withdrawing the OFF2- / OFF3 control commands.
<hr/>	
F07330	Flying restart: Measured search current too low
Message class:	Application / technological function faulted (17)
Reaction:	OFF2 (NONE, OFF1)
Acknowledge:	IMMEDIATELY
Cause:	During a flying restart, it was identified that the search current reached is too low. It is possible that the motor is not connected.
Remedy:	Check the motor feeder cables.
<hr/>	
F07331	Flying restart: Function not supported
Message class:	Error in the parameterization / configuration / commissioning procedure (18)
Reaction:	OFF2 (NONE, OFF1)
Acknowledge:	IMMEDIATELY
Cause:	It is not possible to power up with the motor rotating (no flying restart). In the following cases, the "flying restart" function is not supported: Perm.-magnet synch. motors (PEM): operation with U/f char. and sensorless vector control.
Remedy:	De-activate the "flying restart" function (p1200 = 0).
<hr/>	
A07350 (F)	Drive: Measuring probe parameterized to a digital output
Message class:	Error in the parameterization / configuration / commissioning procedure (18)
Reaction:	NONE
Acknowledge:	NONE
Cause:	The measuring probe is connected to a bi-directional digital input/output and the terminal is set as output. Alarm value (r2124, interpret decimal): 8: DI/DO 8 (X122.9/X132.1) 9: DI/DO 9 (X122.10/X132.2)

10: DI/DO 10 (X122.12/X132.3)
11: DI/DO 11 (X122.13/X132.4)
12: DI/DO 12 (X132.9)
13: DI/DO 13 (X132.10)
14: DI/DO 14 (X132.12)
15: DI/DO 15 (X132.13)

To the terminal designation:

The first designation is valid for CU320, the second for CU305.

Remedy:
- set the terminal as input (p0728).
- de-select the measuring probe (p0488, p0489, p0580).

A07400 (N) Drive: DC link voltage maximum controller active
Message class: Application / technological function faulted (17)
Reaction: NONE
Acknowledge: NONE
Cause: The DC link voltage controller has been activated because the upper switch-in threshold has been exceeded (r1242, r1282).
The ramp-down times are automatically increased in order to maintain the DC link voltage (r0070) within the permissible limits. There is a system deviation between the setpoint and actual speeds.
When the DC link voltage controller is switched out (disabled), this is the reason that the ramp-function generator output is set to the speed actual value.
See also: r0056 (Status word, closed-loop control), p1240 (Vdc controller configuration (vector control)), p1280 (Vdc controller configuration (U/f))

Remedy:
If the controller is not to intervene:
- increase the ramp-down times.
- switch-off the Vdc_max controller (p1240 = 0 for vector control, p1280 = 0 for U/f control).
If the ramp-down times are not to be changed:
- use a chopper or regenerative feedback unit.

A07401 (N) Drive: DC link voltage maximum controller de-activated
Message class: Application / technological function faulted (17)
Reaction: NONE
Acknowledge: NONE
Cause: The Vdc_max controller can no longer maintain the DC link voltage (r0070) below the limit value (r1242, r1282) and was therefore switched out (disabled).
- the line supply voltage is permanently higher than specified for the power unit.
- the motor is permanently in the regenerative mode as a result of a load that is driving the motor.

Remedy:
- check whether the input voltage is within the permissible range (if required, increase the value in p0210).
- check whether the load duty cycle and load limits are within the permissible limits.

A07402 (N) Drive: DC link voltage minimum controller active
Message class: Application / technological function faulted (17)
Reaction: NONE
Acknowledge: NONE
Cause: The DC link voltage controller has been activated as the lower switch-in threshold has been undershot (r1246, r1286).
The kinetic energy of the motor is used to buffer the DC link. The drive is therefore braked.
See also: r0056 (Status word, closed-loop control), p1240 (Vdc controller configuration (vector control)), p1280 (Vdc controller configuration (U/f))

Remedy:
The alarm disappears when power supply returns.

4 Faults and alarms

4.2 List of faults and alarms

F07404	Drive: DC link voltage monitoring Vdc_max
Message class:	DC link overvoltage (4)
Reaction:	OFF2 (NONE, OFF1, OFF3)
Acknowledge:	IMMEDIATELY
Cause:	The monitoring of the DC link voltage p1284 has responded (only U/f control).
Remedy:	<ul style="list-style-type: none">- check the line supply voltage.- check the braking module.- adapt the device supply voltage (p0210).- adapt the DC link voltage monitoring (p1284).

F07405 (N, A)	Drive: Kinetic buffering minimum speed not reached
Message class:	Application / technological function faulted (17)
Reaction:	OFF2 (IASC/DCBRK, NONE, OFF1, OFF3, STOP2)
Acknowledge:	IMMEDIATELY
Cause:	During kinetic buffering the speed fell below minimum speed (p1257 or p1297 for vector drives with U/f control) and the line supply did not return.
Remedy:	Check the speed threshold for the Vdc_min controller (kinetic buffering) (p1257, p1297). See also: p1257 (Vdc_min controller speed threshold), p1297 (Vdc_min controller speed threshold (U/f))

F07406 (N, A)	Drive: Kinetic buffering maximum time exceeded
Message class:	Application / technological function faulted (17)
Reaction:	OFF3 (IASC/DCBRK, NONE, OFF1, OFF2, STOP2)
Acknowledge:	IMMEDIATELY
Cause:	The maximum buffer time (p1255 and p1295 for vector drives with U/f control) has been exceeded without the line supply having returned.
Remedy:	Check the time threshold for Vdc-min controller (kinetic buffering) (p1255, p1295). See also: p1255 (Vdc_min controller time threshold), p1295 (Vdc_min controller time threshold (U/f))

A07409	Drive: U/f control, current limiting controller active
Message class:	Application / technological function faulted (17)
Reaction:	NONE
Acknowledge:	NONE
Cause:	The current limiting controller of the U/f control was activated because the current limit was exceeded.
Remedy:	The alarm automatically disappears after one of the following measures: <ul style="list-style-type: none">- increase current limit (p0640).- reduce the load.- slow down the ramp up to the setpoint speed.

F07410	Drive: Current controller output limited
Message class:	Application / technological function faulted (17)
Reaction:	OFF2 (NONE, OFF1)
Acknowledge:	IMMEDIATELY
Cause:	The condition " $I_{act} = 0$ and $U_{q_set_1}$ longer than 16 ms at its limit" is present and can be caused by the following: <ul style="list-style-type: none">- motor not connected or motor contactor open.- motor data and motor configuration (star-delta) do not match.- no DC link voltage present.- power unit defective.- the "flying restart" function is not activated.
Remedy:	<ul style="list-style-type: none">- connect the motor or check the motor contactor.- check the motor parameterization and the connection type (star-delta).- check the DC link voltage (r0070).- check the power unit.- activate the "flying restart" function (p1200).

F07411	Drive: Flux setpoint not reached when building up excitation
Message class:	Application / technological function faulted (17)
Reaction:	OFF2
Acknowledge:	IMMEDIATELY
Cause:	When quick magnetizing is configured (p1401.6 = 1) the specified flux setpoint is not reached although 90% of the maximum current is specified. <ul style="list-style-type: none"> - incorrect motor data. - motor data and motor configuration (star-delta) do not match. - the current limit has been set too low for the motor. - induction motor (encoderless, open-loop controlled) in I2t limiting. - power unit is too small. - the magnetizing time is too short.
Remedy:	<ul style="list-style-type: none"> - correct the motor data. Perform motor data identification and rotating measurement. - check the motor configuration. - correct the current limits (p0640). - reduce the induction motor load. - if necessary, use a larger power unit. - check motor supply cable. - check power unit. - increase p0346.
A07416	Drive: Flux controller configuration
Message class:	Error in the parameterization / configuration / commissioning procedure (18)
Reaction:	NONE
Acknowledge:	NONE
Cause:	The configuration of the flux control (p1401) is contradictory. Alarm value (r2124, interpret hexadecimal): ccbbaaaa hex aaaa = Parameter bb = Index cc = fault cause 1: Quick magnetizing (p1401.6) for soft starting (p1401.0). 2: Quick magnetizing for flux build-up control (p1401.2). 3: Quick magnetizing (p1401.6) for Rs identification after restart (p0621 = 2).
Remedy:	Re fault cause = 1: <ul style="list-style-type: none"> - Shut down soft start (p1401.0 = 0). - Shut down quick magnetizing (p1401.6 = 0). Re fault cause = 2: <ul style="list-style-type: none"> - De-energize flux build-up control (p1401.2 = 0). - Shut down quick magnetizing (p1401.6 = 0). Re fault cause = 3: <ul style="list-style-type: none"> - Re-parameterize Rs identification (p0621 = 0, 1) - Shut down quick magnetizing (p1401.6 = 0).
F07426 (A)	Technology controller actual value limited
Message class:	Application / technological function faulted (17)
Reaction:	OFF1 (IASC/DCBRK, NONE, OFF2, OFF3)
Acknowledge:	IMMEDIATELY
Cause:	The actual value for the technology controller, interconnected via connector input p2264, has reached a limit. Fault value (r0949, interpret decimal): 1: upper limit reached. 2: lower limit reached.
Remedy:	<ul style="list-style-type: none"> - adapt the limits to the signal level (p2267, p2268). - Check the actual value normalization (p0595, p0596). - Deactivate evaluation of the limits (p2252 bit 3)

4 Faults and alarms

4.2 List of faults and alarms

See also: p0595 (Technological unit selection), p0596 (Technological unit reference quantity), p2264 (Technology controller actual value), p2267 (Technology controller upper limit actual value), p2268 (Technology controller lower limit actual value)

A07428 (N)	Technology controller parameterizing error
Message class:	Error in the parameterization / configuration / commissioning procedure (18)
Reaction:	NONE
Acknowledge:	NONE
Cause:	The technology controller has a parameterizing error. Alarm value (r2124, interpret decimal): 1: The upper output limit in p2291 is set lower than the lower output limit in p2292.
Remedy:	Re alarm value = 1: Set the output limit in p2291 higher than in p2292. See also: p2291 (Technology controller maximum limiting), p2292 (Technology controller minimum limiting)

F07435 (N)	Drive: Setting the ramp-function generator for sensorless vector control
Message class:	Application / technological function faulted (17)
Reaction:	OFF2 (IASC/DCBRK, NONE, OFF1, OFF3)
Acknowledge:	IMMEDIATELY
Cause:	During operation with sensorless vector control (r1407.1) the ramp-function generator was stopped (p1141). An internal setting command of the ramp-function generator output caused the set setpoint speed to be frozen.
Remedy:	- de-activate the holding command for the ramp-function generator (p1141). - suppress the fault (p2101, p2119). This is necessary if the ramp-function generator is held using jogging and the speed setpoint is simultaneously inhibited (r0898.6).

A07440	EPOS: Jerk time is limited
Message class:	Error in the parameterization / configuration / commissioning procedure (18)
Reaction:	NONE
Acknowledge:	NONE
Cause:	The calculation of the jerk time $T_r = \max(p2572, p2573) / p2574$ resulted in an excessively high value so that the jerk time is internally limited to 1000 ms. Note: The alarm is also output if jerk limiting is not active.
Remedy:	- increase the jerk limiting (p2574). - reduce maximum acceleration or maximum deceleration (p2572, p2573). See also: p2572 (EPOS maximum acceleration), p2573 (EPOS maximum deceleration), p2574 (EPOS jerk limiting)

A07441	LR: Save the position offset of the absolute encoder adjustment
Message class:	Error in the parameterization / configuration / commissioning procedure (18)
Reaction:	NONE
Acknowledge:	NONE
Cause:	The status of the absolute encoder adjustment has changed. In order to permanently save the determined position offset (p2525) it must be saved in a non-volatile fashion (p0971).
Remedy:	Not necessary. This alarm automatically disappears after the offset has been saved. See also: p2507 (LR absolute encoder adjustment status), p2525 (LR encoder adjustment offset)

F07442 (A)	LR: Multiturn does not match the modulo range
Message class:	Error in the parameterization / configuration / commissioning procedure (18)
Reaction:	OFF1 (OFF2, OFF3)
Acknowledge:	IMMEDIATELY
Cause:	The ratio between the multiturn resolution and the modulo range (p2576) is not an integer number. This results in the adjustment being set back, as the position actual value cannot be reproduced after power-off/power-on.

Remedy: Make the ration between the multiturn resolution and the modulo range an integer number.
The ratio v is calculated as follows:
1. Motor encoder
$$v = (p0421 * p2506 * p2505) / (p2504 * p2576)$$

2. Direct encoder
$$v = (p0421 * p2506) / p2576$$

See also: p0412, p0432, p0433, p2504, p2505, p2506, p2576, p2721

F07443 (A) LR: Reference point coordinate not in the permissible range
Message class: Error in the parameterization / configuration / commissioning procedure (18)
Reaction: OFF1 (OFF2, OFF3)
Acknowledge: IMMEDIATELY
Cause: The reference point coordinate received when adjusting the encoder via connector input p2599 lies outside the half of the encoder range and cannot be set as actual axis position.
Fault value (r0949, interpret decimal):
Maximum permissible value for the reference point coordinate.
Remedy: Set the reference point coordinate to a lower value than specified in the fault value.
See also: p2598 (EPOS reference point coordinate signal source), p2599 (EPOS reference point coordinate value)

F07450 (A) LR: Standstill monitoring has responded
Message class: Application / technological function faulted (17)
Reaction: OFF1 (OFF2, OFF3)
Acknowledge: IMMEDIATELY
Cause: After the standstill monitoring time (p2543) expired, the drive left the standstill window (p2542).
- position actual value inversion incorrectly set (p0410).
- standstill window set too small (p2542).
- standstill monitoring time set too low (p2543).
- position loop gain too low (p2538).
- position loop gain too high (instability/oscillation, p2538).
- mechanical overload.
- Connecting cable, motor/drive converter incorrect (phase missing, interchanged).
- when selecting motor identification, select tracking mode (BI: p2655[0] = 1 signal).
- when selecting function generator, select tracking mode (BI: p2655[0] = 1 signal) and de-activate position control (BI:p2550 = 0 signal).
Remedy: Check the causes and resolve.

F07451 (A) LR: Position monitoring has responded
Message class: Application / technological function faulted (17)
Reaction: OFF1 (OFF2, OFF3)
Acknowledge: IMMEDIATELY
Cause: When the position monitoring time (p2545) expired, the drive had still not reached the positioning window (p2544).
- positioning window parameterized too small (p2544).
- position monitoring time parameterized too short (p2545).
- position loop gain too low (p2538).
- position loop gain too high (instability/oscillation, p2538).
- drive mechanically locked.
Remedy: Check the causes and resolve.

F07452 (A) LR: Following error too high
Message class: Application / technological function faulted (17)
Reaction: OFF1 (OFF2, OFF3)
Acknowledge: IMMEDIATELY
Cause: The difference between the position setpoint position actual value (following error dynamic model, r2563) is higher than the tolerance (p2546).
- the drive torque or accelerating capacity exceeded.
- position measuring system fault.

4 Faults and alarms

4.2 List of faults and alarms

- position control sense incorrect.
- mechanical system locked.
- excessively high traversing velocity or excessively high position reference value (setpoint) differences

Remedy: Check the causes and resolve.

F07453 LR: Position actual value preprocessing error

Message class: Application / technological function faulted (17)
Reaction: OFF1 (OFF2, OFF3)
Acknowledge: IMMEDIATELY
Cause: An error has occurred during the position actual value preprocessing.
Remedy: Check the encoder for the position actual value preprocessing.
See also: p2502 (LR encoder assignment)

A07454 LR: Position actual value preprocessing does not have a valid encoder

Message class: Error in the parameterization / configuration / commissioning procedure (18)
Reaction: NONE
Acknowledge: NONE
Cause: One of the following problems has occurred with the position actual value preprocessing:

- an encoder is not assigned for the position actual value preprocessing (p2502 = 0).
- an encoder is assigned, but no encoder data set (p0187 = 99 or p0188 = 99).
- an encoder and an encoder data set have been assigned, however, the encoder data set does not contain any encoder data (p0400 = 0) or invalid data (e.g. p0408 = 0).

Remedy: Check the drive data sets, encoder data sets and encoder assignment.
See also: p0187 (Encoder 1 encoder data set number), p0188 (Encoder 2 encoder data set number), p0400 (Encoder type selection), p2502 (LR encoder assignment)

A07455 EPOS: Maximum velocity limited

Message class: Error in the parameterization / configuration / commissioning procedure (18)
Reaction: NONE
Acknowledge: NONE
Cause: The maximum velocity (p2571) is too high to correctly calculate the modulo correction.
Within the sampling time for positioning (8 ms), with the maximum velocity, a maximum of the half modulo length must be moved through. p2571 was limited to this value.
Remedy: Reduce the maximum velocity (p2571).

A07456 EPOS: Setpoint velocity limited

Message class: Application / technological function faulted (17)
Reaction: NONE
Acknowledge: NONE
Cause: The actual setpoint velocity is greater than the parameterized maximum velocity (p2571) and is therefore limited.
Remedy:

- check the entered setpoint velocity.
- reduce the velocity override (CI: p2646).
- increase the maximum velocity (p2571).
- check the signal source for the externally limited velocity (CI: p2594).

A07457 EPOS: Combination of input signals illegal

Message class: Application / technological function faulted (17)
Reaction: NONE
Acknowledge: NONE
Cause: An illegal combination of input signals that are simultaneously set was identified.
Alarm value (r2124, interpret decimal):

- 0: Jog 1 and jog 2 (p2589, p2590).
- 1: Jog 1 or jog 2 and direct setpoint input/MDI (p2589, p2590, p2647).
- 2: Jog 1 or jog 2 and start referencing (p2589, p2590, p2595).
- 3: Jog 1 or jog 2 and activate traversing task (p2589, p2590, p2631).
- 4: Direct setpoint input/MDI and starting referencing (p2647, p2595).

5: Direct setpoint input/MDI and activate traversing task (p2647, p2631).

6: Start referencing and activate traversing task (p2595, p2631).

Remedy: Check the appropriate input signals and correct.

F07458

EPOS: Reference cam not found

Message class: Application / technological function faulted (17)

Reaction: OFF1 (OFF2, OFF3)

Acknowledge: IMMEDIATELY

Cause: After starting the search for reference, the axis moved through the maximum permissible distance to search for the reference cam without actually finding the reference cam.

Remedy:

- check the "reference cam" binector input (BI: p2612).
- check the maximum permissible distance to the reference cam (p2606).
- if axis does not have any reference cam, then set p2607 to 0.

See also: p2606 (EPOS search for reference reference cam maximum distance), p2607 (EPOS search for reference reference cam present), p2612 (EPOS search for reference reference cam)

F07459

EPOS: No zero mark

Message class: Application / technological function faulted (17)

Reaction: OFF1 (OFF2, OFF3)

Acknowledge: IMMEDIATELY

Cause: After leaving the reference cam, the axis has traversed the maximum permissible distance between the reference cam and zero mark without finding the zero mark.

Remedy:

- check the encoder regarding the zero mark
- check the maximum permissible distance between the reference cam and zero mark (p2609).
- use an external encoder zero mark (equivalent zero mark) (p0494).

See also: p0494 (Equivalent zero mark input terminal), p2609 (EPOS search for reference max distance ref cam and zero mark)

F07460

EPOS: End of reference cam not found

Message class: Application / technological function faulted (17)

Reaction: OFF1 (OFF2, OFF3)

Acknowledge: IMMEDIATELY

Cause: During the search for reference, when the axis reached the zero mark it also reached the end of the traversing range without detecting an edge at the binector input "reference cam" (BI: p2612).

Maximum traversing range: -2147483648 [LU] ... -2147483647 [LU]

Remedy:

- check the "reference cam" binector input (BI: p2612).
- repeat the search for reference.

See also: p2612 (EPOS search for reference reference cam)

A07461

EPOS: Reference point not set

Message class: Application / technological function faulted (17)

Reaction: NONE

Acknowledge: NONE

Cause: When starting a traversing block/direct setpoint input, a reference point is not set (r2684.11 = 0).

Remedy: Reference the system (search for reference, flying referencing, set reference point).

A07462

EPOS: Selected traversing block number does not exist

Message class: Error in the parameterization / configuration / commissioning procedure (18)

Reaction: NONE

Acknowledge: NONE

Cause: A traversing block selected via binector input p2625 ... p2630 was started via binector input p2631 = 0/1 edge "Activate traversing task".

- the number of the started traversing block is not contained in p2616[0...n].
- the started traversing block is suppressed.

Alarm value (r2124, interpret decimal):

Number of the selected traversing block that is also not available.

4 Faults and alarms

4.2 List of faults and alarms

Remedy:

- correct the traversing program.
- select an available traversing block number.

A07463 (F) EPOS: External block change not requested in the traversing block

Message class: Application / technological function faulted (17)

Reaction: NONE

Acknowledge: NONE

Cause: For a traversing block with the block change enable CONTINUE_EXTERNAL_ALARM, the external block change was not requested.

Alarm value (r2124, interpret decimal):

Number of the traversing block.

Remedy: Resolve the reason as to why the edge is missing at binector input (BI: p2632).

F07464 EPOS: Traversing block is inconsistent

Message class: Error in the parameterization / configuration / commissioning procedure (18)

Reaction: OFF1 (OFF2, OFF3)

Acknowledge: IMMEDIATELY

Cause: The traversing block does not contain valid information.

Alarm value (r2124, interpret decimal):

Number of the traversing block with invalid information.

Remedy: Check the traversing block and where relevant, take into consideration alarms that are present.

A07465 EPOS: Traversing block does not have a subsequent block

Message class: Error in the parameterization / configuration / commissioning procedure (18)

Reaction: NONE

Acknowledge: NONE

Cause: There is no subsequent block in the traversing block.

Alarm value (r2124, interpret decimal):

Number of the traversing block with the missing subsequent block.

Remedy:

- parameterize this traversing block with the block change enable END.
- parameterize additional traversing blocks with a higher block number and for the last block, using the block change enable END.

A07466 EPOS: Traversing block number assigned a multiple number of times

Message class: Error in the parameterization / configuration / commissioning procedure (18)

Reaction: NONE

Acknowledge: NONE

Cause: The same traversing block number was assigned a multiple number of times.

Alarm value (r2124, interpret decimal):

Number of the traversing block that was assigned a multiple number of times.

Remedy: Correct the traversing blocks.

A07467 EPOS: Traversing block has illegal task parameters

Message class: Error in the parameterization / configuration / commissioning procedure (18)

Reaction: NONE

Acknowledge: NONE

Cause: The task parameter in the traversing block contains an illegal value.

Alarm value (r2124, interpret decimal):

Number of the traversing block with an illegal task parameter.

Remedy: Correct the task parameter in the traversing block.

A07468	EPOS: Traversing block jump destination does not exist
Message class:	Error in the parameterization / configuration / commissioning procedure (18)
Reaction:	NONE
Acknowledge:	NONE
Cause:	In a traversing block, a jump was programmed to a non-existent block. Alarm value (r2124, interpret decimal): Number of the traversing block with a jump destination that does not exist.
Remedy:	- correct the traversing block. - add the missing traversing block.

A07469	EPOS: Traversing block < target position < software limit switch minus
Message class:	Error in the parameterization / configuration / commissioning procedure (18)
Reaction:	NONE
Acknowledge:	NONE
Cause:	In the traversing block the specified absolute target position lies outside the range limited by the software limit switch minus. Alarm value (r2124, interpret decimal): Number of the traversing block with illegal target position.
Remedy:	- correct the traversing block. - change software limit switch minus (CI: p2578, p2580).

A07470	EPOS: Traversing block > target position > software limit switch plus
Message class:	Error in the parameterization / configuration / commissioning procedure (18)
Reaction:	NONE
Acknowledge:	NONE
Cause:	In the traversing block the specified absolute target position lies outside the range limited by the software limit switch plus. Alarm value (r2124, interpret decimal): Number of the traversing block with illegal target position.
Remedy:	- correct the traversing block. - change software limit switch plus (CI: p2579, p2581).

A07471	EPOS: Traversing block target position outside the modulo range
Message class:	Application / technological function faulted (17)
Reaction:	NONE
Acknowledge:	NONE
Cause:	In the traversing block the target position lies outside the modulo range. Alarm value (r2124, interpret decimal): Number of the traversing block with illegal target position.
Remedy:	- in the traversing block, correct the target position. - change the modulo range (p2576).

A07472	EPOS: Traversing block ABS_POS/ABS_NEG not possible
Message class:	Application / technological function faulted (17)
Reaction:	NONE
Acknowledge:	NONE
Cause:	In the traversing block the positioning mode ABS_POS or ABS_NEG were parameterized with the modulo correction not activated. Alarm value (r2124, interpret decimal): Number of the traversing block with the illegal positioning mode.
Remedy:	Correct the traversing block.

4 Faults and alarms

4.2 List of faults and alarms

A07473 (F)	EPOS: Beginning of traversing range reached
Message class:	Application / technological function faulted (17)
Reaction:	NONE
Acknowledge:	NONE
Cause:	When traversing, the axis has moved to the traversing range limit.
Remedy:	Move away in the positive direction.

A07474 (F)	EPOS: End of traversing range reached
Message class:	Application / technological function faulted (17)
Reaction:	NONE
Acknowledge:	NONE
Cause:	When traversing, the axis has moved to the traversing range limit.
Remedy:	Move away in the negative direction.

F07475 (A)	EPOS: Target position < start of traversing range
Message class:	Error in the parameterization / configuration / commissioning procedure (18)
Reaction:	OFF1 (OFF2, OFF3)
Acknowledge:	IMMEDIATELY
Cause:	The target position for relative traversing lies outside the traversing range.
Remedy:	Correct the target position.

F07476 (A)	EPOS: Target position > end of the traversing range
Message class:	Error in the parameterization / configuration / commissioning procedure (18)
Reaction:	OFF1 (OFF2, OFF3)
Acknowledge:	IMMEDIATELY
Cause:	The target position for relative traversing lies outside the traversing range.
Remedy:	Correct the target position.

A07477 (F)	EPOS: Target position < software limit switch minus
Message class:	Error in the parameterization / configuration / commissioning procedure (18)
Reaction:	NONE
Acknowledge:	NONE
Cause:	In the actual traversing operation, the target position is less than the software limit switch minus.
Remedy:	- correct the target position. - change software limit switch minus (CI: p2578, p2580). See also: p2578 (EPOS software limit switch minus signal source), p2580 (EPOS software limit switch minus), p2582 (EPOS software limit switch activation)

A07478 (F)	EPOS: Target position > software limit switch plus
Message class:	Error in the parameterization / configuration / commissioning procedure (18)
Reaction:	NONE
Acknowledge:	NONE
Cause:	In the actual traversing operation, the target position is greater than the software limit switch plus.
Remedy:	- correct the target position. - change software limit switch plus (CI: p2579, p2581). See also: p2579 (EPOS software limit switch plus signal source), p2581 (EPOS software limit switch plus), p2582 (EPOS software limit switch activation)

A07479	EPOS: Software limit switch minus reached
Message class:	Application / technological function faulted (17)
Reaction:	NONE
Acknowledge:	NONE
Cause:	The axis is at the position of the software limit switch minus. An active traversing block was interrupted.
Remedy:	- correct the target position. - change software limit switch minus (CI: p2578, p2580).

See also: p2578 (EPOS software limit switch minus signal source), p2580 (EPOS software limit switch minus), p2582 (EPOS software limit switch activation)

A07480	EPOS: Software limit switch plus reached
Message class:	Application / technological function faulted (17)
Reaction:	NONE
Acknowledge:	NONE
Cause:	The axis is at the position of the software limit switch plus. An active traversing block was interrupted.
Remedy:	<ul style="list-style-type: none"> - correct the target position. - change software limit switch plus (CI: p2579, p2581). <p>See also: p2579 (EPOS software limit switch plus signal source), p2581 (EPOS software limit switch plus), p2582 (EPOS software limit switch activation)</p>
F07481 (A)	EPOS: Axis position < software limit switch minus
Message class:	Application / technological function faulted (17)
Reaction:	OFF1 (OFF2, OFF3)
Acknowledge:	IMMEDIATELY
Cause:	The actual position of the axis is less than the position of the software limit switch minus.
Remedy:	<ul style="list-style-type: none"> - correct the target position. - change software limit switch minus (CI: p2578, p2580). <p>See also: p2578 (EPOS software limit switch minus signal source), p2580 (EPOS software limit switch minus), p2582 (EPOS software limit switch activation)</p>
F07482 (A)	EPOS: Axis position > software limit switch plus
Message class:	Application / technological function faulted (17)
Reaction:	OFF1 (OFF2, OFF3)
Acknowledge:	IMMEDIATELY
Cause:	The actual position of the axis is greater than the position of the software limit switch plus.
Remedy:	<ul style="list-style-type: none"> - correct the target position. - change software limit switch plus (CI: p2579, p2581). <p>See also: p2579 (EPOS software limit switch plus signal source), p2581 (EPOS software limit switch plus), p2582 (EPOS software limit switch activation)</p>
A07483	EPOS: Travel to fixed stop clamping torque not reached
Message class:	Application / technological function faulted (17)
Reaction:	NONE
Acknowledge:	NONE
Cause:	The fixed stop in the traversing block was reached without the clamping torque/clamping force having been achieved.
Remedy:	<ul style="list-style-type: none"> - Check the maximum torque-generating current (r1533). - check the torque limits (p1520, p1521). - check the power limits (p1530, p1531). - check the BICO interconnections of the torque limits (p1522, p1523, p1528, p1529).
F07484	EPOS: Fixed stop outside the monitoring window
Message class:	Application / technological function faulted (17)
Reaction:	OFF3 (OFF1, OFF2)
Acknowledge:	IMMEDIATELY
Cause:	In the "fixed stop reached" state, the axis has moved outside the defined monitoring window (p2635).
Remedy:	<ul style="list-style-type: none"> - check the monitoring window (p2635). - check the mechanical system.
F07485 (A)	EPOS: Fixed stop not reached
Message class:	Application / technological function faulted (17)
Reaction:	OFF1 (OFF2, OFF3)
Acknowledge:	IMMEDIATELY
Cause:	In a traversing block with the task FIXED STOP, the end position was reached without detecting a fixed stop.

4 Faults and alarms

4.2 List of faults and alarms

- Remedy:**
- check the traversing block and locate the target position further into the workpiece.
 - check the "fixed stop reached" control signal (p2637).
 - if required, reduce the maximum following error window to detect the fixed stop (p2634).

A07486 **EPOS: Intermediate stop missing**
Message class: Application / technological function faulted (17)
Reaction: NONE
Acknowledge: NONE
Cause: In the modes "traversing blocks" or "direct setpoint input/MDI" at the start of motion, the binector input "no intermediate stop/intermediate stop" (BI: p2640) did not have a 1 signal.
Remedy: Connect a 1 signal to the binector input "no intermediate stop/intermediate stop" (BI: p2640) and re-start motion.
See also: p2640 (EPOS intermediate stop (0 signal))

A07487 **EPOS: Reject traversing task missing**
Message class: Application / technological function faulted (17)
Reaction: NONE
Acknowledge: NONE
Cause: In the modes "traversing blocks" or "direct setpoint input/MDI" at the start of motion, the binector input "do not reject traversing task/reject traversing task" (BI: p2641) does not have a 1 signal.
Remedy: Connect a 1 signal to the binector input "do not reject traversing task/reject traversing task" (BI: p2641) and restart motion.
See also: p2641 (EPOS reject traversing task (0 signal))

F07488 **EPOS: Relative positioning not possible**
Message class: Application / technological function faulted (17)
Reaction: OFF1 (OFF2, OFF3)
Acknowledge: IMMEDIATELY
Cause: In the mode "direct setpoint input/MDI", for continuous transfer (p2649 = 1) relative positioning was selected (BI: p2648 = 0 signal).
Remedy: Check the control.

A07489 **EPOS: Reference point correction outside the window**
Message class: Application / technological function faulted (17)
Reaction: NONE
Acknowledge: NONE
Cause: For the function "flying referencing" the difference between the measured position at the measuring probe and the reference point coordinate lies outside the parameterized window.
Remedy:

- check the mechanical system.
- check the parameterization of the window (p2602).

F07490 (N) **EPOS: Enable signal withdrawn while traversing**
Message class: Application / technological function faulted (17)
Reaction: OFF1 (OFF2, OFF3)
Acknowledge: IMMEDIATELY
Cause:

- for a standard assignment, another fault may have occurred as a result of withdrawing the enable signals.
- the drive is in the "switching on inhibited" state (for a standard assignment).

Remedy:

- set the enable signals or check the cause of the fault that first occurred and then result (for a standard assignment).
- check the assignment to enable the basic positioning function.

F07491 (A) **EPOS: STOP cam minus reached**
Message class: Application / technological function faulted (17)
Reaction: OFF3
Acknowledge: IMMEDIATELY
Cause: A 0 signal was detected at binector input BI: p2569, i.e. the STOP cam minus was reached.
For a positive traversing direction, the STOP cam minus was reached - i.e. the wiring of the STOP cam is incorrect.
See also: p2569 (EPOS STOP cam minus)

Remedy: - leave the STOP cam minus in the positive traversing direction and return the axis to the valid traversing range.
- check the wiring of the STOP cam.

F07492 (A) EPOS: STOP cam plus reached
Message class: Application / technological function faulted (17)
Reaction: OFF3
Acknowledge: IMMEDIATELY
Cause: A 0 signal was detected at binector input BI: p2570, i.e. the STOP cam plus was reached.
For a negative traversing direction, the STOP cam plus was reached - i.e. the wiring of the STOP cam is incorrect.
See also: p2570 (EPOS STOP cam plus)
Remedy: - leave the STOP cam plus in the negative traversing direction and return the axis to the valid traversing range.
- check the wiring of the STOP cam.

F07493 LR: Overflow of the value range for position actual value
Message class: Application / technological function faulted (17)
Reaction: OFF1 (OFF2, OFF3)
Acknowledge: IMMEDIATELY
Cause: The value range (-2147483648 ... 2147483647) for the position actual value representation was exceeded.
When the overflow occurs, the "referenced" or "adjustment absolute measuring system" status is reset.
Fault value (r0949, interpret decimal):
1: The position actual value (r2521) has exceeded the value range.
2: The encoder position actual value Gn_XIST2 (r0483) or the absolute value after the load gear (r2723) has exceeded the value range.
3: The maximum encoder value times the factor to convert the absolute position (r0483 and/or r2723) from increments to length units (LU) has exceeded the value range for displaying the position actual value.
Note:
For a linear encoder, the following must be maintained:
- $p0407 * p2503 / (2^p0418 * 10^7) < 1$
- $p0407 * p2503 / (2^p0419 * 10^7) < 1$
Remedy: If required, reduce the traversing range or position resolution (p2506).
Increase the fine resolution of absolute position actual value (p0419).
Note for fault value = 3:
If the value for the maximum possible absolute position (LU) is greater than 4294967296, then it is not possible to make an adjustment due to an overflow.
For rotary encoders, the maximum possible absolute position (LU) is calculated as follows:
1. Motor encoder
 $p2506 * p2505 / p2504$
 $p2506 * p2505 * p0421 / p2504$ for multiturn encoders
2. Direct encoder
 $p2506$
 $p2506 * p0421$ for multiturn encoders

F07494 LR: Drive Data Set changeover in operation
Message class: Application / technological function faulted (17)
Reaction: OFF1 (OFF2, OFF3)
Acknowledge: IMMEDIATELY
Cause: A Drive Data Set changeover (DDS) with a change of the mechanical relationships (p2503 ... 2506), direction of rotation (p1821) or the encoder assignment (p2502) was requested in operation.
Note:
DDS: Drive Data Set
Remedy: To changeover the drive data set, initially, exit the "operation" mode.

4 Faults and alarms

4.2 List of faults and alarms

A07495 (F)	LR: Reference function interrupted
Message class:	Application / technological function faulted (17)
Reaction:	NONE
Acknowledge:	NONE
Cause:	An activated reference function (reference mark search or measuring probe evaluation) was interrupted. Possible causes: <ul style="list-style-type: none">- an encoder fault has occurred (Gn_ZSW.15 = 1).- position actual value was set during an activated reference function.- simultaneously activate reference mark search and measuring probe evaluation (BI: p2508 and BI: p2509 = 1 signal).- activated reference function (reference mark search or measuring probe evaluation) was de-activated (BI: p2508 and BI: p2509 = 0 signal).
Remedy:	<ul style="list-style-type: none">- check the causes and resolve.- reset the control (BI: p2508 and BI: p2509 = 0 signal) and activate the requested function.

A07496	EPOS: Enable not possible
Message class:	Application / technological function faulted (17)
Reaction:	NONE
Acknowledge:	NONE
Cause:	It is not possible to enable the basic positioner because at least one signal is missing. Alarm value (r2124, interpret decimal): <ul style="list-style-type: none">1: EPOS enable missing (BI: p2656).2: Position actual value, valid feedback signal missing (BI: p2658). See also: p2656 (EPOS enable basic positioner), p2658 (EPOS pos. actual value valid feedback signal)
Remedy:	Check the appropriate binector inputs and signals.

A07497 (N)	LR: Position setting value activated
Message class:	Application / technological function faulted (17)
Reaction:	NONE
Acknowledge:	NONE
Cause:	The position actual value is set to the value received via CI: p2515 while BI: p2514 = 1 signal. A possible system deviation cannot be corrected.
Remedy:	Not necessary. The alarm automatically disappears with BI: p2514 = 0 signal.

A07498 (F)	LR: Measuring probe evaluation not possible
Message class:	Application / technological function faulted (17)
Reaction:	NONE
Acknowledge:	NONE
Cause:	When evaluating the measuring probe, an error occurred. Alarm value (r2124, interpret decimal): <ul style="list-style-type: none">6: The input terminal for the measuring probe is not set.4098: Error when initializing the measuring probe.4100: The measuring pulse frequency is too high.> 50000: The measuring clock cycle is not a multiple integer of the position controller clock cycle.
Remedy:	De-activate the measuring probe evaluation (BI: p2509 = 0 signal). Re alarm value = 6: Set the input terminal for the measuring probe (p0488, p0489 or p2517, p2518). Re alarm value = 4098: Check the Control Unit hardware.

Re alarm value = 4100:

Reduce the frequency of the measuring pulses at the measuring probe.

Re alarm value > 50000:

Set the clock cycle ratio of the measuring clock cycle to the position controller clock cycle to an integer multiple.

To do this, the currently effective measuring clock cycle can be determined from the alarm value as follows:

$T_{\text{meas}} [125 \mu\text{s}] = \text{alarm value} - 50000$

With PROFIBUS, the measuring clock cycle corresponds to the PROFIBUS clock cycle (r2064[1]).

Without PROFIBUS, the measuring clock cycle is an internal cycle time that cannot be influenced.

F07499 (A)	EPOS: Reversing cam approached with the incorrect traversing direction
Message class:	Application / technological function faulted (17)
Reaction:	OFF3
Acknowledge:	IMMEDIATELY
Cause:	The reversing cam MINUS was approached in the positive traversing direction or the reversing cam PLUS was approached in the negative traversing direction. See also: p2613 (EPOS search for reference reversing cam minus), p2614 (EPOS search for reference reversing cam plus)
Remedy:	- check the wiring of the reversing cam (BI: p2613, BI: p2614). - check the traversing direction to approach the reversing cam.

F07503	EPOS: STOP cam approached with the incorrect traversing direction
Message class:	Application / technological function faulted (17)
Reaction:	NONE
Acknowledge:	IMMEDIATELY
Cause:	The STOP cam MINUS was approached in the positive traversing direction or the STOP cam PLUS was approached in the negative traversing direction.
Remedy:	- check the wiring of the STOP cam (BI: p2569, BI: p2570). - check the traversing direction to approach the STOP cam.

A07505	EPOS: Task fixed stop not possible in the U/f/SLVC mode
Message class:	Error in the parameterization / configuration / commissioning procedure (18)
Reaction:	NONE
Acknowledge:	NONE
Cause:	In the U/f/SLVC mode, an attempt was made to execute a traversing block with the "fixed stop" task. This is not possible. Alarm value (r2124, interpret decimal): Number of the traversing block with an illegal task parameter.
Remedy:	- Check the traversing block and change the task. - change the open-loop/closed-loop control mode (p1300). See also: p1300 (Open-loop/closed-loop control operating mode), p2621 (EPOS traversing block task)

F07509	Drive: Component assignment missing
Message class:	Error in the parameterization / configuration / commissioning procedure (18)
Reaction:	OFF2
Acknowledge:	IMMEDIATELY
Cause:	An encoder (p0187, p0188) was selected, however no physical connection assigned (p0468).
Remedy:	For operation with encoder, set the encoder interface (p0468). Note: If operation without encoder is required, set the encoder assignment to "not used" (p0187 = 99 or p0188 = 99). See also: p0142 (Encoder component number), p0187 (Encoder 1 encoder data set number), p0188 (Encoder 2 encoder data set number)

A07530	Drive: Drive Data Set DDS not present
Message class:	Error in the parameterization / configuration / commissioning procedure (18)
Reaction:	NONE
Acknowledge:	NONE
Cause:	The selected drive data set is not available (p0837 > p0180). The drive data set was not changed over. See also: p0180 (Number of Drive Data Sets (DDS)), p0820 (Drive Data Set selection DDS bit 0), p0821 (Drive Data Set selection DDS bit 1), r0837 (Drive Data Set DDS selected)
Remedy:	- select the existing drive data set. - set up additional drive data sets.

A07531	Drive: Command Data Set CDS not present
Message class:	Error in the parameterization / configuration / commissioning procedure (18)
Reaction:	NONE
Acknowledge:	NONE
Cause:	The selected command data set is not available (p0836 > p0170). The command data set was not changed over. See also: p0810 (Command data set selection CDS bit 0), p0811 (Command data set selection CDS bit 1), r0836 (Command Data Set CDS selected)
Remedy:	- select the existing command data set. - set up additional command data sets.

A07550 (F, N)	Drive: Not possible to reset encoder parameters
Message class:	Hardware / software error (1)
Reaction:	NONE
Acknowledge:	NONE
Cause:	When carrying out a factory setting (e.g. using p0970 = 1), it was not possible to reset the encoder parameters. The encoder parameters are directly read out of the encoder via DRIVE-CLiQ. Alarm value (r2124, interpret decimal): Component number of the encoder involved.
Remedy:	- repeat the operation. - check the DRIVE-CLiQ connection.

F07551	Drive encoder: No commutation angle information
Message class:	Error in the parameterization / configuration / commissioning procedure (18)
Reaction:	OFF2 (IASC/DCBRK)
Acknowledge:	IMMEDIATELY (POWER ON)
Cause:	The commutation angle information is missing. This means that synchronous motors cannot be controlled (closed-loop control) Fault value (r0949, interpret decimal): yyyyxxxx dec: yyyy = fault cause, xxxx = drive data set yyyy = 1 dec: The motor encoder used does not supply an absolute commutation angle. yyyy = 2 dec: The selected ratio of the measuring gear does not match the motor pole pair number.
Remedy:	Re fault cause = 1: - check the encoder parameterization (p0404). - use an encoder with track C/D, EnDat interface of Hall sensors. - use an encoder with sinusoidal A/B track for which the motor pole pair number (r0313) is an integer multiple of the encoder pulse number (p0408). - activate the pole position identification routine (p1982 = 1) for motor encoders without absolute position information. Then, using an encoder adjustment (p1990), the angular commutation offset should be determined. Re fault cause = 2: - the quotient of the pole pair number divided by the ratio of the measuring gear must be an integer number: (p0314 * p0433) / p0432.

Note:

For operation with track C/D, this quotient must be less than 8.

See also: p0402 (Gearbox type selection), p0404 (Encoder configuration effective), p0432 (Gearbox factor encoder revolutions), p0433 (Gearbox factor motor/load revolutions)

F07552 (A)

Drive encoder: Encoder configuration not supported

Message class:

Error in the parameterization / configuration / commissioning procedure (18)

Reaction:

OFF2 (IASC/DCBRK, NONE, OFF1, OFF3, STOP2)

Acknowledge:

IMMEDIATELY (POWER ON)

Cause:

The requested encoder configuration is not supported. Only bits may be requested in p0404 that are signaled as being supported by the encoder evaluation in r0456.

Fault value (r0949, interpret decimal):

ccccbbaa hex: cccc = fault cause, bb = component number, aa = encoder data set

cccc = 1: encoder sin/cos with absolute track (is supported by SME25).

cccc = 3: Squarewave encoder (this is supported by SMC30).

cccc = 4: sin/cos encoder (this is supported by SMC20, SMI20, SME20, SME25).

cccc = 10: DRIVE-CLiQ encoder (is supported by DQI).

cccc = 12: sin/cos encoder with reference mark (this is supported by SME20).

cccc = 15: Commutation with zero mark for separately-excited synchronous motors with VECTORMV.

cccc = 23: Resolver (this is supported by SMC10, SMI10).

cccc = 65535: Other function (compare r0456 and p0404).

See also: p0404 (Encoder configuration effective), r0456 (Encoder configuration supported)

Remedy:

- check the encoder parameterization (p0400, p0404).

- use the matching encoder evaluation (r0456).

F07553 (A)

Drive encoder: Sensor Module configuration not supported

Message class:

Error in the parameterization / configuration / commissioning procedure (18)

Reaction:

OFF2 (IASC/DCBRK, NONE, OFF1, OFF3, STOP2)

Acknowledge:

IMMEDIATELY (POWER ON)

Cause:

The Sensor Module does not support the requested configuration.

For incorrect p0430 (cc = 0), the following applies:

- In p0430 (requested functions), at least 1 bit was set that is not set in r0458 (supported functions) (exception: Bit 19, 28, 29, 30, 31).

- p1982 > 0 (pole position identification requested), but r0458.16 = 0 (pole position identification not supported).

For incorrect p0437 (cc = 1), the following applies:

- In p0437 (requested functions), at least 1 bit was set that is not set in r0459 (supported functions).

Fault value (r0949, interpret hexadecimal):

ddccbbaa hex

aa: encoder data set number

bb: first incorrect bit

cc: incorrect parameter

cc = 0: incorrect parameter is p0430

cc = 1: incorrect parameter is p0437

cc = 2: incorrect parameter is r0459

dd: reserved (always 0)

Remedy:

- check the encoder parameterization (p0430, p0437).

- check the pole position identification routine (p1982).

- use the matching encoder evaluation (r0458, r0459).

See also: p0430 (Sensor Module configuration), p0437 (Sensor Module configuration extended), r0458 (Sensor Module properties), r0459 (Sensor Module properties extended)

F07555 (A)	Drive encoder: Configuration position tracking
Message class:	Error in the parameterization / configuration / commissioning procedure (18)
Reaction:	OFF2 (IASC/DCBRK, NONE, OFF1, OFF3, STOP2)
Acknowledge:	IMMEDIATELY (POWER ON)
Cause:	For position tracking, the configuration is not supported. Position tracking can only be activated for absolute encoders. For linear axes, it is not possible to simultaneously activate the position tracking for load and measuring gears. Fault value (r0949, interpret hexadecimal): ddccbbaa hex aa = encoder data set bb = component number cc = drive data set dd = fault cause dd = 00 hex = 0 dec An absolute encoder is not being used. dd = 01 hex = 1 dec Position tracking cannot be activated because the memory of the internal NVRAM is not sufficient or a Control Unit does not have an NVRAM. dd = 02 hex = 2 dec For a linear axis, the position tracking was activated for the load and measuring gear. dd = 03 hex = 3 dec Position tracking cannot be activated because position tracking with another gear ratio, axis type or tolerance window has already been detected for this encoder data set. dd = 04 hex = 4 dec A linear encoder is being used. See also: p0404 (Encoder configuration effective), p0411 (Measuring gear configuration)
Remedy:	For fault value 0: - use an absolute encoder. For fault value 1: - use a Control Unit with sufficient NVRAM. Re fault value = 2, 4: - if necessary, de-select the position tracking (p0411 for the measuring gear, p2720 for the load gear). For fault value 3: - Only activate position tracking of the load gear in the same encoder data set if the gear ratio (p2504, p2505), axis type (p2720.1) and tolerance window (p2722) are also the same. These parameters must be the same in all drive data sets, which use the same motor encoder (p187).

F07556	Measuring gear: Position tracking, maximum actual value exceeded
Message class:	Position/speed actual value incorrect or not available (11)
Reaction:	NONE
Acknowledge:	IMMEDIATELY
Cause:	When the position tracking of the measuring gear is configured, the drive/encoder identifies a maximum possible absolute position actual value (r0483) that cannot be represented within 32 bits. Maximum value: $p0408 * p0412 * 2^{p0419}$ Fault value (r0949, interpret decimal): aaaayyx hex: yy = component number, xx = encoder data set See also: p0408 (Rotary encoder pulse number), p0412 (Measuring gear absolute encoder rotary revolutions virtual), p0419 (Fine resolution absolute value Gx_XIST2 (in bits))
Remedy:	- reduce the fine resolution (p0419). - reduce the multiturn resolution (p0412). See also: p0412 (Measuring gear absolute encoder rotary revolutions virtual), p0419 (Fine resolution absolute value Gx_XIST2 (in bits))

A07557 (F)	Encoder 1: Reference point coordinate not in the permissible range
Message class:	Application / technological function faulted (17)
Reaction:	NONE
Acknowledge:	NONE
Cause:	The reference point coordinate received when adjusting the encoder via connector input CI:p2599 lies outside the half of the encoder range and cannot be set as actual axis position. The maximum permissible value is displayed in the supplementary information.
Remedy:	Set the reference point coordinate less than the value from the supplementary information. See also: p2598 (EPOS reference point coordinate signal source)

A07558 (F)	Encoder 2: Reference point coordinate not in the permissible range
Message class:	Application / technological function faulted (17)
Reaction:	NONE
Acknowledge:	NONE
Cause:	The reference point coordinate received when adjusting the encoder via connector input CI:p2599 lies outside the half of the encoder range and cannot be set as actual axis position. The maximum permissible value is displayed in the supplementary information.
Remedy:	Set the reference point coordinate less than the value from the supplementary information. See also: p2598 (EPOS reference point coordinate signal source)

F07560	Drive encoder: Number of pulses is not to the power of two
Message class:	Error in the parameterization / configuration / commissioning procedure (18)
Reaction:	OFF2 (IASC/DCBRK, NONE, OFF1, OFF3, STOP2)
Acknowledge:	IMMEDIATELY (POWER ON)
Cause:	For rotary absolute encoders, the pulse number in p0408 must be to the power of two. Fault value (r0949, interpret decimal): The fault value includes the encoder data set number involved.
Remedy:	- check the parameterization (p0408, p0404.1, r0458.5). - upgrade the Sensor Module firmware if necessary

F07561	Drive encoder: Number of multiturn pulses is not to the power of two
Message class:	Error in the parameterization / configuration / commissioning procedure (18)
Reaction:	OFF2 (IASC/DCBRK, NONE, OFF1, OFF3, STOP2)
Acknowledge:	IMMEDIATELY (POWER ON)
Cause:	The multiturn resolution in p0421 must be to the power of two. Fault value (r0949, interpret decimal): The fault value includes the encoder data set number involved.
Remedy:	- check the parameterization (p0421, p0404.1, r0458.5). - upgrade the Sensor Module firmware if necessary

F07562 (A)	Drive, encoder: Position tracking, incremental encoder not possible
Message class:	Error in the parameterization / configuration / commissioning procedure (18)
Reaction:	OFF2 (IASC/DCBRK, NONE, OFF1, OFF3, STOP2)
Acknowledge:	IMMEDIATELY (POWER ON)
Cause:	The requested position tracking for incremental encoders is not supported. Fault value (r0949, interpret hexadecimal): ccccbaa hex aa = encoder data set bb = component number cccc = fault cause cccc = 00 hex = 0 dec The encoder type does not support the "Position tracking incremental encoder" function. cccc = 01 hex = 1 dec Position tracking cannot be activated because the memory of the internal NVRAM is not sufficient or a Control Unit does not have an NVRAM.

4 Faults and alarms

4.2 List of faults and alarms

cccc = 04 hex = 4 dec

A linear encoder is used that does not support the "position tracking" function.

See also: p0404 (Encoder configuration effective), p0411 (Measuring gear configuration), r0456 (Encoder configuration supported)

Remedy:

- check the encoder parameterization (p0400, p0404).
- use a Control Unit with sufficient NVRAM.
- if required, de-select position tracking for the incremental encoder (p0411.3 = 0).

F07563 (A) Drive encoder: XIST1_ERW configuration incorrect

Message class: Error in the parameterization / configuration / commissioning procedure (18)

Reaction: OFF2 (IASC/DCBRK, NONE, OFF1, OFF3, STOP2)

Acknowledge: IMMEDIATELY (POWER ON)

Cause: An incorrect configuration was identified for the "Absolute position for incremental encoder" function.

Fault value (r0949, interpret decimal):

Fault cause:

1 (= 01 hex):

The "Absolute value for incremental encoder" function is not supported (r0459.13 = 0).

Note regarding the message value:

The individual information is coded as follows in the message value (r0949/r2124):

yyxx dec: yy = fault cause, xx = encoder data set

See also: r0459 (Sensor Module properties extended), p4652 (XIST1_ERW reset mode)

Remedy: For fault value = 1:

- upgrade the Sensor Module firmware version.
- check the mode (p4652 = 1, 3 requires the property r0459.13 = 1).

A07565 (F, N) Drive: Encoder error in PROFIdrive encoder interface 1

Message class: Position/speed actual value incorrect or not available (11)

Reaction: NONE

Acknowledge: NONE

Cause: An encoder error was signaled for encoder 1 via the PROFIdrive encoder interface (G1_ZSW.15).

Alarm value (r2124, interpret decimal):

Error code from G1_XIST2, refer to the description regarding r0483.

Note:

This alarm is only output if p0480[0] is not equal to zero.

Remedy: Acknowledge the encoder error using the encoder control word (G1_STW.15 = 1).

A07566 (F, N) Drive: Encoder error in PROFIdrive encoder interface 2

Message class: Position/speed actual value incorrect or not available (11)

Reaction: NONE

Acknowledge: NONE

Cause: An encoder error was signaled for encoder 2 via the PROFIdrive encoder interface (G2_ZSW.15).

Alarm value (r2124, interpret decimal):

Error code from G2_XIST2, refer to the description regarding r0483.

Note:

This alarm is only output if p0480[1] is not equal to zero.

Remedy: Acknowledge the encoder error using the encoder control word (G2_STW.15 = 1).

A07569 (F) Enc identification active

Message class: Error in the parameterization / configuration / commissioning procedure (18)

Reaction: NONE

Acknowledge: NONE

Cause: During encoder identification (waiting) with p0400 = 10100, the encoder could still not be identified.

Either the wrong encoder has been installed or no encoder has been installed, the wrong encoder cable has been connected or no encoder cable has been connected to the Sensor Module, or the DRIVE-CLiQ component has not been connected.

Note:

Encoder identification must be supported by the encoder and is possible in the following cases:

- Encoder with EnDat interface.
- Encoder with SSI interface.
- Motor with DRIVE-CLiQ.

Remedy:

- check and, if necessary, connect the encoder / encoder cable.
- check and, if necessary, establish the DRIVE-CLiQ connection.
- for SSI encoders, carry out the required operator actions (see the Function Manual).
- in the case of encoders that cannot be identified (e.g. encoders without EnDat interface), enter the correct encoder type in p0400.

N07570 (F)**Encoder identification data transfer running**

Message class: Error in the parameterization / configuration / commissioning procedure (18)

Reaction: OFF2

Acknowledge: NONE

Cause: The encoder type was automatically determined using p0400 = 10100.

This fault causes the pulses to be suppressed - this is necessary to transfer the encoder parameterization to p0400ff.

See also: p0400 (Encoder type selection)

Remedy: The fault can be acknowledged without any additional measures.

A07577 (F)**Encoder 1: Measuring probe evaluation not possible**

Message class: Application / technological function faulted (17)

Reaction: NONE

Acknowledge: NONE

Cause: When evaluating the measuring probe, an error occurred.

Alarm value (r2124, interpret decimal):

6: The input terminal for the measuring probe is not set.

4098: Error when initializing the measuring probe.

4100: The measuring pulse frequency is too high.

4200: The PROFIBUS clock cycle is not a multiple of integer of the position controller clock cycle.

Remedy: De-activate the measuring probe evaluation (BI: p2509 = 0 signal).

Re alarm value = 6:

Set the input terminal for the measuring probe (p0488, p0489 or p2517, p2518).

Re alarm value = 4098:

Check the Control Unit hardware.

Re alarm value = 4100:

Reduce the frequency of the measuring pulses at the measuring probe.

Re alarm value = 4200:

Set the clock cycle ratio between the PROFIBUS clock cycle and the position controller clock cycle to an integer multiple.

A07578 (F)**Encoder 2: Measuring probe evaluation not possible**

Message class: Application / technological function faulted (17)

Reaction: NONE

Acknowledge: NONE

Cause: When evaluating the measuring probe, an error occurred.

Alarm value (r2124, interpret decimal):

6: The input terminal for the measuring probe is not set.

4098: Error when initializing the measuring probe.

4100: The measuring pulse frequency is too high.

4200: The PROFIBUS clock cycle is not a multiple of integer of the position controller clock cycle.

Remedy: De-activate the measuring probe evaluation (BI: p2509 = 0 signal).

Re alarm value = 6:

Set the input terminal for the measuring probe (p0488, p0489 or p2517, p2518).

Re alarm value = 4098:

Check the Control Unit hardware.

4 Faults and alarms

4.2 List of faults and alarms

Re alarm value = 4100:

Reduce the frequency of the measuring pulses at the measuring probe.

Re alarm value = 4200:

Set the clock cycle ratio between the PROFIBUS clock cycle and the position controller clock cycle to an integer multiple.

A07581 (F)	Encoder 1: Position actual value preprocessing error
Message class:	Position/speed actual value incorrect or not available (11)
Reaction:	NONE
Acknowledge:	NONE
Cause:	An error has occurred during the position actual value preprocessing.
Remedy:	Check the encoder for the position actual value preprocessing. See also: p2502 (LR encoder assignment)

A07582 (F)	Encoder 2: Position actual value preprocessing error
Message class:	Position/speed actual value incorrect or not available (11)
Reaction:	NONE
Acknowledge:	NONE
Cause:	An error has occurred during the position actual value preprocessing.
Remedy:	Check the encoder for the position actual value preprocessing. See also: p2502 (LR encoder assignment)

A07584	Encoder 1: Position setting value activated
Message class:	Application / technological function faulted (17)
Reaction:	NONE
Acknowledge:	NONE
Cause:	The position actual value is set to the value received via CI: p2515while BI: p2514 = 1 signal. A possible system deviation cannot be corrected.
Remedy:	Not necessary. The alarm automatically disappears with BI: p2514 = 0 signal.

A07585	Encoder 2: Position setting value activated
Message class:	Application / technological function faulted (17)
Reaction:	NONE
Acknowledge:	NONE
Cause:	The position actual value is set to the value received via CI: p2515while BI: p2514 = 1 signal. A possible system deviation cannot be corrected.
Remedy:	Not necessary. The alarm automatically disappears with BI: p2514 = 0 signal.

A07587	Encoder 1: Position actual value preprocessing does not have a valid encoder
Message class:	Error in the parameterization / configuration / commissioning procedure (18)
Reaction:	NONE
Acknowledge:	NONE
Cause:	The following problem has occurred during the position actual value preprocessing. - an encoder data set has been assigned, however, the encoder data set does not contain any encoder data (p0400 = 0) or invalid data (e.g. p0408 = 0).
Remedy:	Check the drive data sets, encoder data sets. See also: p0187 (Encoder 1 encoder data set number), p0188 (Encoder 2 encoder data set number), p0400 (Encoder type selection), p2502 (LR encoder assignment)

A07588	Encoder 2: Position actual value preprocessing does not have a valid encoder
Message class:	Error in the parameterization / configuration / commissioning procedure (18)
Reaction:	NONE
Acknowledge:	NONE
Cause:	The following problem has occurred during the position actual value preprocessing. - an encoder data set has been assigned, however, the encoder data set does not contain any encoder data (p0400 = 0) or invalid data (e.g. p0408 = 0).
Remedy:	Check the drive data sets, encoder data sets. See also: p0187 (Encoder 1 encoder data set number), p0188 (Encoder 2 encoder data set number), p0400 (Encoder type selection), p2502 (LR encoder assignment)

A07590 (F)	Encoder 1: Drive Data Set changeover in operation
Message class:	Application / technological function faulted (17)
Reaction:	NONE
Acknowledge:	NONE
Cause:	A Drive Data Set changeover (DDS) with a change of the mechanical relationships and the encoder assignment (p2502) was requested in operation.
Remedy:	To changeover the drive data set, initially, exit the "operation" mode.

A07591 (F)	Encoder 2: Drive Data Set changeover in operation
Message class:	Application / technological function faulted (17)
Reaction:	NONE
Acknowledge:	NONE
Cause:	A Drive Data Set changeover (DDS) with a change of the mechanical relationships and the encoder assignment (p2502) was requested in operation.
Remedy:	To changeover the drive data set, initially, exit the "operation" mode.

A07593 (F, N)	Encoder 1: Value range for position actual value exceeded
Message class:	Application / technological function faulted (17)
Reaction:	NONE
Acknowledge:	NONE
Cause:	The value range (-2147483648 ... 2147483647) for the position actual value representation was exceeded. When the overflow occurs, the "referenced" or "absolute encoder adjusted" status is reset. Fault value (r0949, interpret decimal): 1: The position actual value (r2521) has exceeded the value range. 2: The encoder position actual value Gn_XIST2 (r0483) or the absolute value after the load gear (r2723) has exceeded the value range. 3: The maximum encoder value multiplied by the factor to convert the absolute position (r0483 and/or r2723) from increments to length units (LU) has exceeded the value range for displaying the position actual value.
Remedy:	If required, reduce the traversing range or position resolution. Re alarm value = 3: Reducing the position resolution and conversion factor: - reduce the length unit (LU) per load revolution for rotary encoders (p2506). - increase the fine resolution of absolute position actual values (p0419).

A07594 (F, N)	Encoder 2: Value range for position actual value exceeded
Message class:	Application / technological function faulted (17)
Reaction:	NONE
Acknowledge:	NONE
Cause:	The value range (-2147483648 ... 2147483647) for the position actual value representation was exceeded. When the overflow occurs, the "referenced" or "absolute encoder adjusted" status is reset. Fault value (r0949, interpret decimal): 1: The position actual value (r2521) has exceeded the value range. 2: The encoder position actual value Gn_XIST2 (r0483) or the absolute value after the load gear (r2723) has exceeded the value range.

4 Faults and alarms

4.2 List of faults and alarms

3: The maximum encoder value times the factor to convert the absolute position (r0483 and/or r2723) from increments to length units (LU) has exceeded the value range for displaying the position actual value.

Remedy:

If required, reduce the traversing range or position resolution.

Re alarm value = 3:

Reducing the position resolution and conversion factor:

- reduce the length unit (LU) per load revolution for rotary encoders (p2506).
- increase the fine resolution of absolute position actual values (p0419).

A07596 (F)**Encoder 1: Reference function interrupted**

Message class:

Application / technological function faulted (17)

Reaction:

NONE

Acknowledge:

NONE

Cause:

An activated reference function (reference mark search or measuring probe evaluation) was interrupted.

- an encoder fault has occurred (Gn_ZSW.15 = 1).
- position actual value was set during an activated reference function.
- simultaneously activate reference mark search and measuring probe evaluation (BI: p2508 and BI: p2509 = 1 signal).
- activated reference function (reference mark search or measuring probe evaluation) was de-activated (BI: p2508 and BI: p2509 = 0 signal).

Remedy:

- check the causes and resolve.
- reset the control (BI: p2508 and BI: p2509 = 0 signal) and activate the requested function.

A07597 (F)**Encoder 2: Reference function interrupted**

Message class:

Application / technological function faulted (17)

Reaction:

NONE

Acknowledge:

NONE

Cause:

An activated reference function (reference mark search or measuring probe evaluation) was interrupted.

- an encoder fault has occurred (Gn_ZSW.15 = 1).
- position actual value was set during an activated reference function.
- simultaneously activate reference mark search and measuring probe evaluation (BI: p2508 and BI: p2509 = 1 signal).
- activated reference function (reference mark search or measuring probe evaluation) was de-activated (BI: p2508 and BI: p2509 = 0 signal).

Remedy:

- check the causes and resolve.
- reset the control (BI: p2508 and BI: p2509 = 0 signal) and activate the requested function.

F07599 (A)**Encoder 1: Adjustment not possible**

Message class:

Error in the parameterization / configuration / commissioning procedure (18)

Reaction:

OFF1 (NONE, OFF2, OFF3)

Acknowledge:

IMMEDIATELY

Cause:

The maximum encoder value times the factor to convert the absolute position (r0483 and/or r2723) from increments to length units (LU) has exceeded the value range (-2147483648 ... 2147483647) for displaying the position actual value.

Remedy:

If the value for the maximum possible absolute position (LU) is greater than 4294967296, then it is not possible to make an adjustment due to an overflow.

For rotary encoders, the maximum possible absolute position (LU) is calculated as follows:

1. Motor encoder:

$p2506 * p2505 / p2504$

$p2506 * p2505 * p0421 / p2504$ for multiturn encoders

2. Direct encoder:

$p2506$

$p2506 * p0421$ for multiturn encoders

F07600 (A)	Encoder 2: Adjustment not possible
Message class:	Error in the parameterization / configuration / commissioning procedure (18)
Reaction:	OFF1 (NONE, OFF2, OFF3)
Acknowledge:	IMMEDIATELY
Cause:	The maximum encoder value times the factor to convert the absolute position (r0483 and/or r2723) from increments to length units (LU) has exceeded the value range (-2147483648 ... 2147483647) for displaying the position actual value.
Remedy:	If the value for the maximum possible absolute position (LU) is greater than 4294967296, then it is not possible to make an adjustment due to an overflow. For rotary encoders, the maximum possible absolute position (LU) is calculated as follows: 1. Motor encoder: p2506 * p2505 / p2504 p2506 * p2505 * p0421 / p2504 for multiturn encoders 2. Direct encoder: p2506 p2506 * p0421 for multiturn encoders
F07754	Drive: Incorrect shutoff valve configuration
Message class:	Error in the parameterization / configuration / commissioning procedure (18)
Reaction:	OFF2
Acknowledge:	IMMEDIATELY (POWER ON)
Cause:	An incorrect shutoff valve configuration was detected. Fault value (r0949, interpret decimal): 100: Enable Safety Integrated (p9601/p9801), but p0218.0 = 0 (shutoff valve not available). 101: The manipulated variable inhibit time is set less than the wait time to evaluate the feedback signal contacts when switching on the shutoff valve (p0230 < p9625[0]/p9825[0]). 102: The manipulated variable inhibit time is set less than the wait time to evaluate the feedback signal contacts when switching off the shutoff valve (p0230 < p9625[1]/p9825[1]).
Remedy:	For fault value = 100: Check the enable of Safety Integrated and the shutoff valve (p9601/p9801, p0218.0). For fault value = 101: Set the manipulated variable inhibit time higher than the wait time to evaluate the feedback signal contacts when switching on the shutoff valve (p0230 > p9625[0]/p9825[0]). For fault value = 102: Set the manipulated variable inhibit time higher than the wait time to evaluate the feedback signal contacts when switching off the shutoff valve (p0230 > p9625[1]/p9825[1]). See also: p0230 (Drive filter type motor side)
F07800	Drive: No power unit present
Message class:	Error in the parameterization / configuration / commissioning procedure (18)
Reaction:	NONE
Acknowledge:	IMMEDIATELY
Cause:	The power unit parameters cannot be read or no parameters are stored in the power unit. Note: This fault also occurs if an incorrect topology was selected in the commissioning software and this parameterization is then downloaded to the Control Unit. See also: r0200 (Power unit code number actual)
Remedy:	- carry out a POWER ON (power off/on) for all components. - Check the power unit and replace if necessary. - check the Control Unit, and if required replace it. - after correcting the topology, the parameters must be again downloaded using the commissioning software.

F07801	Drive: Motor overcurrent
Message class:	Motor overload (8)
Reaction:	OFF2 (NONE, OFF1, OFF3)
Acknowledge:	IMMEDIATELY
Cause:	The permissible motor limit current was exceeded. <ul style="list-style-type: none">- effective current limit set too low.- current controller not correctly set.- U/f operation: Up ramp was set too short or the load is too high.- U/f operation: Short-circuit in the motor cable or ground fault.- U/f operation: Motor current does not match current of power unit.- Switch to rotating motor without flying restart function (p1200). Note: Limit current = 2 x minimum (p0640, 4 x p0305 x p0306) >= 2 x p0305 x p0306
Remedy:	<ul style="list-style-type: none">- check the current limits (p0640).- vector control: Check the current controller (p1715, p1717).- U/f control: Check the current limiting controller (p1340 ... p1346).- increase the up ramp (p1120) or reduce the load.- check the motor and motor cables for short-circuit and ground fault.- check the motor for the star-delta configuration and rating plate parameterization.- check the power unit and motor combination.- Choose "flying restart" function (p1200) if switched to rotating motor.
F07802	Drive: Infeed or power unit not ready
Message class:	Infeed faulted (13)
Reaction:	OFF2 (NONE)
Acknowledge:	IMMEDIATELY
Cause:	After an internal power-on command, the infeed or drive does not signal ready. <ul style="list-style-type: none">- monitoring time is too short.- DC link voltage is not present.- associated infeed or drive of the signaling component is defective.- supply voltage incorrectly set.
Remedy:	<ul style="list-style-type: none">- increase the monitoring time (p0857).- ensure that there is a DC link voltage. Check the DC link busbar. Enable the infeed.- replace the associated infeed or drive of the signaling component.- check the line supply voltage setting (p0210). See also: p0857 (Power unit monitoring time)
A07805 (N)	Drive: Power unit overload I2t
Message class:	Power electronics faulted (5)
Reaction:	NONE
Acknowledge:	NONE
Cause:	Alarm threshold for I2t overload (p0294) of the power unit exceeded. The response parameterized in p0290 becomes active. See also: p0290 (Power unit overload response)
Remedy:	<ul style="list-style-type: none">- reduce the continuous load.- adapt the load duty cycle.- check the assignment of the motor and power unit rated currents.
F07806	Drive: Regenerative power limit exceeded (F3E)
Message class:	Power electronics faulted (5)
Reaction:	OFF2 (IASC/DCBRK)
Acknowledge:	IMMEDIATELY
Cause:	For blocksize power units, types PM250 and PM260, the regenerative rated power r0206[2] was exceeded for more than 10 s. See also: r0206 (Rated power unit power), p1531 (Power limit regenerative)

Remedy:

- increase the down ramp.
- reduce the driving load.
- use a power unit with a higher regenerative feedback capability.
- for vector control, the regenerative power limit in p1531 can be reduced so that the fault is no longer triggered.

F07807 Drive: Short-circuit/ground fault detected

Message class: Ground fault / inter-phase short-circuit detected (7)

Reaction: OFF2 (NONE)

Acknowledge: IMMEDIATELY

Cause: A phase-phase short-circuit or ground fault was detected at the motor-side output terminals of the converter.

Fault value (r0949, interpret decimal):

1: Short-circuit, phases U-V

2: Short-circuit, phases U-W

3: Short-circuit, phases V-W

4: Ground fault with overcurrent

1xxxx: Ground fault with current in phase U detected (xxxx = component of the current in phase V in per mille)

2xxxx: Ground fault with current in phase V detected (xxxx = component of the current in phase U in per mille)

Note:

Also when interchanging the line and motor cables is identified as a motor-side short circuit.

Connecting to a motor that is either not de-energized or partially de-energized is possibly detected as ground fault.

Remedy:

- check the motor-side converter connection for a phase-phase short-circuit.
- rule-out interchanged line and motor cables.
- check for a ground fault.

For a ground fault:

- do not enable the pulses when connecting to a rotating motor without the "Flying restart" function activated (p1200).

- increase the de-energization time (p0347).

- If required, deactivate the monitoring (p1901).

F07810 Drive: Power unit EEPROM without rated data

Message class: Hardware / software error (1)

Reaction: NONE

Acknowledge: IMMEDIATELY

Cause: No rated data are stored in the power unit EEPROM.

See also: p0205 (Power unit application), r0206 (Rated power unit power), r0207 (Rated power unit current), r0208 (Rated power unit line supply voltage), r0209 (Power unit maximum current)

Remedy: Replace the power unit or inform Siemens Customer Service.

A07850 (F) External alarm 1

Message class: External measured value / signal state outside the permissible range (16)

Reaction: NONE

Acknowledge: NONE

Cause: The condition for "External alarm 1" is satisfied.

Note:

The "External alarm 1" is initiated by a 1/0 edge via binector input p2112.

See also: p2112 (External alarm 1)

Remedy: Eliminate the causes of this alarm.

A07851 (F) External alarm 2

Message class: External measured value / signal state outside the permissible range (16)

Reaction: NONE

Acknowledge: NONE

Cause: The condition for "External alarm 2" is satisfied.

Note:

The "External alarm 2" is initiated by a 1/0 edge via binector input p2116.

See also: p2116 (External alarm 2)

Remedy: Eliminate the causes of this alarm.

4 Faults and alarms

4.2 List of faults and alarms

A07852 (F)	External alarm 3
Message class:	External measured value / signal state outside the permissible range (16)
Reaction:	NONE
Acknowledge:	NONE
Cause:	The condition for "External alarm 3" is satisfied. Note: The "External alarm 3" is initiated by a 1/0 edge via binector input p2117. See also: p2117 (External alarm 3)
Remedy:	Eliminate the causes of this alarm.

F07860 (A)	External fault 1
Message class:	External measured value / signal state outside the permissible range (16)
Reaction:	OFF2 (IASC/DCBRK, NONE, OFF1, OFF3, STOP2)
Acknowledge:	IMMEDIATELY (POWER ON)
Cause:	The condition for "External fault 1" is satisfied. Note: The "External fault 1" is initiated by a 1/0 edge via binector input p2106. See also: p2106 (External fault 1)
Remedy:	- eliminate the causes of this fault. - acknowledge fault.

F07861 (A)	External fault 2
Message class:	External measured value / signal state outside the permissible range (16)
Reaction:	OFF2 (IASC/DCBRK, NONE, OFF1, OFF3, STOP2)
Acknowledge:	IMMEDIATELY (POWER ON)
Cause:	The condition for "External fault 2" is satisfied. Note: The "External fault 2" is initiated by a 1/0 edge via binector input p2107. See also: p2107 (External fault 2)
Remedy:	- eliminate the causes of this fault. - acknowledge fault.

F07862 (A)	External fault 3
Message class:	External measured value / signal state outside the permissible range (16)
Reaction:	OFF2 (IASC/DCBRK, NONE, OFF1, OFF3, STOP2)
Acknowledge:	IMMEDIATELY (POWER ON)
Cause:	The condition for "External fault 3" is satisfied. Note: The "External fault 3" is initiated by a 1/0 edge via the following parameters. - AND logic operation, binector input p2108, p3111, p3112. - switch-on delay p3110. See also: p2108 (External fault 3), p3110 (External fault 3 power-up delay), p3111 (External fault 3 enable), p3112 (External fault 3 enable negated)
Remedy:	- eliminate the causes of this fault. - acknowledge fault.

F07900 (N, A)	Drive: Motor blocked
Message class:	Application / technological function faulted (17)
Reaction:	OFF2 (NONE, OFF1, OFF3, STOP2)
Acknowledge:	IMMEDIATELY
Cause:	Motor has been operating at the torque limit longer than the time specified in p2177 and below the speed threshold set in p2175. This signal can also be triggered if the speed is oscillating and the speed controller output repeatedly goes to its limit. It may also be the case that thermal monitoring of the power unit reduces the current limit (see p0290), thereby causing the motor to decelerate. See also: p2175 (Motor blocked speed threshold), p2177 (Motor blocked delay time)

- Remedy:**
- check that the motor can freely move.
 - check the effective torque limit (r1538, r1539).
 - check the parameter, message "Motor blocked" and if required, correct (p2175, p2177).
 - check the direction of rotation enable signals for a flying restart of the motor (p1110, p1111).
 - for U/f control: check the current limits and acceleration times (p0640, p1120).

F07901 Drive: Motor overspeed

Message class: Application / technological function faulted (17)

Reaction: OFF2 (IASC/DCBRK)

Acknowledge: IMMEDIATELY

Cause: The maximum permissible speed was either positively or negatively exceeded.

The maximum permissible positive speed is formed as follows: Minimum (p1082, CI: p1085) + p2162

The maximum permissible negative speed is formed as follows: Maximum (-p1082, CI: 1088) - p2162

Remedy: The following applies for a positive direction of rotation:

- check r1084 and if required, correct p1082, CI:p1085 and p2162.

The following applies for a negative direction of rotation:

- check r1087 and if required, correct p1082, CI:p1088 and p2162.

Activate pre-control of the speed limiting controller (p1401.7 = 1).

Increase the hysteresis for the overspeed signal p2162. This upper limit is dependent upon the maximum motor speed p0322 and the maximum speed p1082 of the setpoint channel.

F07902 (N, A) Drive: Motor stalled

Message class: Application / technological function faulted (17)

Reaction: OFF2 (IASC/DCBRK, NONE, OFF1, OFF3, STOP2)

Acknowledge: IMMEDIATELY

Cause: For a vector drive the system has identified that the motor has stall for a time longer than is set in p2178.

Fault value (r0949, interpret decimal):

1: Stall detection using r1408.11 (p1744, p0492) vector control with encoder.

2: Stall detection using r1408.12 (p1745) or (r0084 ... r0083).

See also: p1744 (Motor model speed threshold stall detection), p2178 (Motor stalled delay time)

Remedy: Steps should always be taken to ensure that both motor data identification and the rotating measurement were carried out (see p1900, r3925).

For closed-loop speed and torque control with speed encoder, the following applies:

- check the speed signal (interrupted cable, polarity, pulse number, broken encoder shaft).

- check the speed encoder, if another speed encoder was selected using the data set changeover. This must be connected to the same motor that is controlled for the data set changeover.

If there is no fault, then the fault tolerance (p1744 and p0492) can be increased.

For closed-loop speed and torque control without speed encoder, the following applies:

- check whether the drive stalls solely due to the load in controlled mode or when the speed setpoint is still zero. If yes, then increase the current setpoint using p1610.

- if the motor excitation time (p0346) was significantly reduced and the drive stalls when it is switched on and run immediately, p0346 should be increased again.

If there is no fault, then the fault tolerance can be increased (p1745).

- check the current limits (p0640, r0067, r0289). If the current limits are too low, then the drive cannot be magnetized.

- If the fault occurs with fault value 2 when the motor accelerates very quickly to the field weakening range, the deviation between the flux setpoint and flux actual value can be reduced and, in turn, the message prevented, by reducing p1596 or p1553.

The following generally apply for closed-loop and torque control:

- check whether a line phase failure is affecting power unit PM250D.

- check whether the motor cables are disconnected (see A07929).

If there is no fault, then the delay time can be increased (p2178).

A07903 Drive: Motor speed deviation

Message class: Application / technological function faulted (17)

Reaction: NONE

Acknowledge: NONE

Cause: The absolute value of the speed difference from the setpoint (p2151) and the speed actual value (r2169) exceeds the tolerance threshold (p2163) longer than tolerated (p2164, p2166).

The alarm is only enabled for p2149.0 = 1.

Possible causes:

- the load torque is greater than the torque setpoint.
- when accelerating, the torque/current/power limit is reached. If the limits are not sufficient, then it is possible that the drive has been dimensioned too small.
- for closed-loop torque control, the speed setpoint does not track the speed actual value.
- for active Vdc controller.

For U/f control, the overload condition is detected as the I_max controller is active.

See also: p2149 (Monitoring configuration)

Remedy:

- increase p2163 and/or p2166.
- increase the torque/current/power limits.
- for closed-loop torque control: The speed setpoint should track the speed actual value.
- de-activate alarm with p2149.0 = 0.

A07910 (N) Drive: Motor overtemperature

Message class: Motor overload (8)

Reaction: NONE

Acknowledge: NONE

Cause: KTY or no sensor:

The measured motor temperature or the temperature of the motor temperature model 2 has exceeded the alarm threshold (p0604). The response parameterized in p0610 becomes active.

PTC or bimetallic NC contact:

The response threshold of 1650 Ohm was exceeded or the NC contact opened.

Alarm value (r2124, interpret decimal):

11: No output current reduction.

12: Output current reduction active.

See also: p0604 (Mot_temp_mod 2/KTY alarm threshold), p0610 (Motor overtemperature response)

Remedy:

- check the motor load.
- check the motor ambient temperature.
- check KTY84.
- check overtemperatures of the motor temperature model 2 (p0626 ... p0628).

See also: p0612 (Mot_temp_mod activation), p0625 (Motor ambient temperature during commissioning), p0626 (Motor overtemperature, stator core), p0627 (Motor overtemperature, stator winding), p0628 (Motor overtemperature rotor winding)

A07920 Drive: Torque/speed too low

Message class: Application / technological function faulted (17)

Reaction: NONE

Acknowledge: NONE

Cause: For p2193 = 1:

The torque deviates from the torque/speed envelope characteristic (too low).

For p2193 = 2:

The speed signal from the external encoder (refer to p3230) deviates from the speed (r2169) (too low).

See also: p2181 (Load monitoring response)

Remedy:

- check the connection between the motor and load.
- adapt the parameterization corresponding to the load.

A07921	Drive: Torque/speed too high
Message class:	Application / technological function faulted (17)
Reaction:	NONE
Acknowledge:	NONE
Cause:	For p2193 = 1: The torque deviates from the torque/speed envelope characteristic (too high). For p2193 = 2: The speed signal from the external encoder (refer to p3230) deviates from the speed (r2169) (too high).
Remedy:	- check the connection between the motor and load. - adapt the parameterization corresponding to the load.

A07922	Drive: Torque/speed out of tolerance
Message class:	Application / technological function faulted (17)
Reaction:	NONE
Acknowledge:	NONE
Cause:	For p2193 = 1: The torque deviates from the torque/speed envelope characteristic. For p2193 = 2: The speed signal from the external encoder (refer to p3230) deviates from the speed (r2169).
Remedy:	- check the connection between the motor and load. - adapt the parameterization corresponding to the load.

F07923	Drive: Torque/speed too low
Message class:	Application / technological function faulted (17)
Reaction:	OFF1 (NONE, OFF2, OFF3)
Acknowledge:	IMMEDIATELY
Cause:	For p2193 = 1: The torque deviates from the torque/speed envelope characteristic (too low). For p2193 = 2: The speed signal from the external encoder (refer to p3230) deviates from the speed (r2169) (too low).
Remedy:	- check the connection between the motor and load. - adapt the parameterization corresponding to the load.

F07924	Drive: Torque/speed too high
Message class:	Application / technological function faulted (17)
Reaction:	OFF1 (NONE, OFF2, OFF3)
Acknowledge:	IMMEDIATELY
Cause:	For p2193 = 1: The torque deviates from the torque/speed envelope characteristic (too high). For p2193 = 2: The speed signal from the external encoder (refer to p3230) deviates from the speed (r2169) (too high).
Remedy:	- check the connection between the motor and load. - adapt the parameterization corresponding to the load.

F07925	Drive: Torque/speed out of tolerance
Message class:	Application / technological function faulted (17)
Reaction:	OFF1 (NONE, OFF2, OFF3)
Acknowledge:	IMMEDIATELY
Cause:	For p2193 = 1: The torque deviates from the torque/speed envelope characteristic. For p2193 = 2: The speed signal from the external encoder (refer to p3230) deviates from the speed (r2169).
Remedy:	- check the connection between the motor and load. - adapt the parameterization corresponding to the load.

A07927	DC braking active
Message class:	Application / technological function faulted (17)
Reaction:	NONE
Acknowledge:	NONE
Cause:	The motor is braked with DC current. DC braking is active. 1) A message with response DCBRK is active. The motor is braked with the braking current set in p1232 for the duration set in p1233. If the standstill threshold p1226 is undershot, then braking is prematurely canceled. 2) DC braking has been activated at binector input p1230 with the DC braking set (p1230 = 4). Braking current p1232 is injected until this binector input becomes inactive.
Remedy:	Not necessary. The alarm automatically disappears once DC braking has been executed.

A07929 (F)	Drive: No motor detected
Message class:	Application / technological function faulted (17)
Reaction:	NONE
Acknowledge:	NONE
Cause:	The absolute current value is so small after enabling the inverter pulses that no motor is detected. Note: In the case of vector control and an induction motor, this alarm is followed by the fault F07902. See also: p2179 (Output load identification current limit)
Remedy:	- check the motor feeder cables. - reduce the threshold value (p2179), e.g. for synchronous motors. - check the voltage boost of the U/f control (p1310). - carry out a standstill measurement to set the stator resistance (p0350).

F07930	Drive: Brake control error
Message class:	Application / technological function faulted (17)
Reaction:	OFF1 (NONE, OFF2, OFF3)
Acknowledge:	IMMEDIATELY
Cause:	The Control Unit has detected a brake control error. - motor cable is not correctly connected. - motor cable is not shielded correctly. - defect in the Safe Brake Module, in the Power Module or in the Control Unit. Fault value (r0949, interpret decimal): 10, 11: Fault in "open holding brake" operation. - No brake connected or wire breakage (check whether brake releases for p1278 = 1). - Ground fault in brake cable. 20: Fault in "brake open" state. - Short-circuit in brake winding. 30, 31: Fault in "close holding brake" operation. - No brake connected or wire breakage (check whether brake releases for p1278 = 1). - Short-circuit in brake winding. 40: Fault in "brake closed" state. 50: Fault in the brake control circuit of the Control Unit or communication error between processor 1 and processor 2 (brake control diagnostics). See also: p1278 (Brake control diagnostics evaluation)
Remedy:	- check the motor holding brake connection. - check the function of the motor holding brake.

- check the Safe Brake Module connection.
 - check that the electrical cabinet design and cable routing are in compliance with EMC regulations (e.g. shield of the motor cable and brake conductors are connected with the shield connecting plate and the motor connectors are tightly screwed to the housing).
 - replace the Safe Brake Module.
 - replace Power Module.
 - replace the Control Unit.
- See also: p1215 (Motor holding brake configuration), p1278 (Brake control diagnostics evaluation)

F07935 (N)	Drive: Incorrect motor holding brake configuration
Message class:	Error in the parameterization / configuration / commissioning procedure (18)
Reaction:	NONE (OFF1, OFF2, OFF3)
Acknowledge:	IMMEDIATELY
Cause:	An incorrect motor holding brake configuration was detected. Fault value (r0949, interpret decimal): 0: A motor holding brake was detected where the brake control has not been configured (p1215 = 0). The brake control configuration was set to "motor holding brake the same as sequence control" (p1215 = 1) (only when commissioning for the first time). 1: A motor holding brake was detected where the brake control has not been configured (p1215 = 0). The brake control configuration was left at "No motor holding brake available" (p1215 = 0).
Remedy:	For fault value = 0: - No remedy required. For fault value = 1: - If required change the motor holding brake configuration (p1215 = 1, 2). - If this fault value unexpectedly occurs, then the motor connections should be checked in order to rule out that they have been interchanged with other drive units. See also: p1215 (Motor holding brake configuration)

F07936	Drive: load failure
Message class:	Application / technological function faulted (17)
Reaction:	OFF1 (NONE, OFF2, OFF3)
Acknowledge:	IMMEDIATELY
Cause:	The load monitoring has detected a load failure.
Remedy:	- check the sensor. - if necessary, de-activate the load monitoring (p2193). See also: p2193 (Load monitoring configuration), p3232 (Load monitoring failure detection)

F07950 (A)	Motor parameter incorrect
Message class:	Error in the parameterization / configuration / commissioning procedure (18)
Reaction:	NONE
Acknowledge:	IMMEDIATELY
Cause:	The motor parameters were incorrectly entered while commissioning (e.g. p0300 = 0, no motor) Fault value (r0949, interpret decimal): Parameter number involved. See also: p0300, p0301, p0304, p0305, p0307, p0310, p0311, p0314, p0316, p0320, p0322, p0323
Remedy:	Compare the motor data with the rating plate data and if required, correct.

F07967	Drive: Incorrect pole position identification
Message class:	Error in the parameterization / configuration / commissioning procedure (18)
Reaction:	OFF2 (NONE, OFF1)
Acknowledge:	IMMEDIATELY
Cause:	A fault has occurred during the pole position identification routine. Only for internal Siemens troubleshooting.
Remedy:	Carry out a POWER ON.

F07968 Drive: Lq-Ld measurement incorrect

Message class:	Error in the parameterization / configuration / commissioning procedure (18)
Reaction:	OFF2
Acknowledge:	IMMEDIATELY
Cause:	A fault has occurred during the Lq-Ld measurement. Fault value (r0949, interpret decimal): 10: Stage 1: The ratio between the measured current and zero current is too low. 12: Stage 1: The maximum current was exceeded. 15: Second harmonic too low. 16: Drive converter too small for the measuring technique. 17: Abort due to pulse inhibit.
Remedy:	For fault value = 10: Check whether the motor is correctly connected. Replace the power unit involved. De-activate technique (p1909). For fault value = 12: Check whether motor data have been correctly entered. De-activate technique (p1909). For fault value = 16: De-activate technique (p1909). For fault value = 17: Repeat technique.

F07969 Drive: Incorrect pole position identification

Message class:	Error in the parameterization / configuration / commissioning procedure (18)
Reaction:	OFF2
Acknowledge:	IMMEDIATELY
Cause:	A fault has occurred during the pole position identification routine. Fault value (r0949, interpret decimal): 1: Current controller limited 2: Motor shaft locked. 10: Stage 1: The ratio between the measured current and zero current is too low. 11: Stage 2: The ratio between the measured current and zero current is too low. 12: Stage 1: The maximum current was exceeded. 13: Stage 2: The maximum current was exceeded. 14: Current difference to determine the +d axis too low. 15: Second harmonic too low. 16: Drive converter too small for the measuring technique. 17: Abort due to pulse inhibit. 18: First harmonic too low. 20: Pole position identification requested with the motor shaft rotating and activated "flying restart" function.
Remedy:	For fault value = 1: Check whether the motor is correctly connected. Check whether motor data have been correctly entered. Replace the power unit involved. For fault value = 2: Bring the motor into a no-load condition. For fault value = 10: When selecting p1980 = 4: Increase the value for p0325. When selecting p1980 = 1: Increase the value for p0329. Check whether the motor is correctly connected. Replace the power unit involved.

For fault value = 11:
Increase the value for p0329.
Check whether the motor is correctly connected.
Replace the power unit involved.

For fault value = 12:
When selecting p1980 = 4: Reduce the value for p0325.
When selecting p1980 = 1: Reduce the value for p0329.
Check whether motor data have been correctly entered.

For fault value = 13:
Reduce the value for p0329.
Check whether motor data have been correctly entered.

For fault value = 14:
Increase the value for p0329.

For fault value = 15:
Increase the value for p0325.
Motor not sufficiently anisotropic, change the technique (p1980 = 1 or 10).

For fault value = 16:
Change the technique (p1980).

For fault value = 17:
Repeat technique.

For fault value = 18:
Increase the value for p0329 (if required, first set p0323).
Saturation not sufficient, change the technique (p1980 = 10).

For fault value = 20:
Before carrying out a pole position identification routine ensure that the motor shaft is absolutely stationary (zero speed).

A07975 (N) Drive: Travel to the zero mark - setpoint input expected

Message class: Error in the parameterization / configuration / commissioning procedure (18)
Reaction: NONE
Acknowledge: NONE
Cause: The zero mark must be evaluated in order to adjust the encoder.
It is expected that a speed or torque setpoint is entered.
Remedy: Not necessary.
The alarm disappears once the zero mark has been detected.

A07976 Drive: Fine encoder calibration activated

Message class: Error in the parameterization / configuration / commissioning procedure (18)
Reaction: NONE
Acknowledge: NONE
Cause: The alarm indicates the phases of the fine encoder calibration using the alarm value.
Alarm value (interpret decimal):
1: Fine encoder calibration active.
2: Rotating measurement started (set the setpoint speed > 40 % rated motor speed).
3: Rotating measurement lies within the speed and torque range.
4: Rotating measurement successful: pulse inhibit can be initiated to accept the values.
5: Fine encoder calibration is calculated.
10: Speed too low, rotating measurement interrupted.
12: Torque too high, rotating measurement interrupted.
Remedy: Re alarm value = 10:
Increase the speed.
Re alarm value = 12:
Bring the drive into a no-load condition.

A07980 Drive: Rotating measurement activated

Message class: Error in the parameterization / configuration / commissioning procedure (18)

Reaction: NONE

Acknowledge: NONE

Cause: The rotating measurement (automatic speed controller optimization) is activated.
The rotating measurement is carried out at the next power-on command.

Note:

During the rotating measurement it is not possible to save the parameters (p0971).

See also: p1960 (Rotating measurement selection)

Remedy: Not necessary.

The alarm disappears automatically after the speed controller optimization has been successfully completed or for the setting p1900 = 0.

A07981 Drive: Enable signals for the rotating measurement missing

Message class: Error in the parameterization / configuration / commissioning procedure (18)

Reaction: NONE

Acknowledge: NONE

Cause: The rotating measurement cannot be started due to missing enable signals.
For p1959.13 = 1, the following applies:

- enable signals for the ramp-function generator missing (see p1140 ... p1142).

- enable signals for the speed controller integrator missing (see p1476, p1477).

Remedy: - acknowledge faults that are present.

- establish missing enable signals.

See also: r0002 (Drive operating display), r0046 (Missing enable sig)

F07982 Drive: Rotating measurement encoder test

Message class: Error in the parameterization / configuration / commissioning procedure (18)

Reaction: OFF1 (NONE, OFF2)

Acknowledge: IMMEDIATELY

Cause: A fault has occurred during the encoder test.

Fault value (r0949, interpret decimal):

1: The speed did not reach a steady-state condition.

2: The speed setpoint was not able to be approached as the minimum limiting is active.

3: The speed setpoint was not able to be approached as the suppression (skip) bandwidth is active.

4: The speed setpoint was not able to be approached as the maximum limiting is active.

5: The encoder does not supply a signal.

6: Incorrect polarity.

7: Incorrect pulse number.

8: Noise in the encoder signal or speed controller unstable.

Remedy: For fault value = 1:

- check the motor parameters.

- carry out a motor data identification routine (p1900 = 2).

- possibly reduce the dynamic factor (p1967).

For fault value = 2:

- adapt the speed setpoint (p1965) or adapt the minimum limit (p1080).

For fault value = 3:

- adapt the speed setpoint (p1965) or suppression (skip) bandwidths (p1091 ... p1094, p1101).

For fault value = 4:

- adapt the speed setpoint (p1965) or maximum limit (p1082, p1083 and p1086).

For fault value = 5:

- check the encoder connection. If required, replace the encoder.

For fault value = 6:

- check the connection assignment of the encoder cable. Adapt the polarity (p0410).

For fault value = 7:

- adapt the pulse number (p0408).

For fault value = 8:

- check the encoder connection and encoder cable. It is possible that there is a problem associated with the ground connection.
- reduce the dynamic response of the speed controller (p1460, p1462 and p1470, p1472).

Note:

The encoder test can be switched out (disabled) using p1959.0.

See also: p1959 (Rotating measurement configuration)

F07983**Drive: Rotating measurement saturation characteristic**

Message class:

Error in the parameterization / configuration / commissioning procedure (18)

Reaction:

OFF1 (NONE, OFF2)

Acknowledge:

IMMEDIATELY

Cause:

A fault has occurred while determining the saturation characteristic.

Fault value (r0949, interpret decimal):

- 1: The speed did not reach a steady-state condition.
- 2: The rotor flux did not reach a steady-state condition.
- 3: The adaptation circuit did not reach a steady-state condition.
- 4: The adaptation circuit was not enabled.
- 5: Field weakening active.
- 6: The speed setpoint was not able to be approached as the minimum limiting is active.
- 7: The speed setpoint was not able to be approached as the suppression (skip) bandwidth is active.
- 8: The speed setpoint was not able to be approached as the maximum limiting is active.
- 9: Several values of the determined saturation characteristic are not plausible.
- 10: Saturation characteristic could not be sensibly determined because load torque too high.

Remedy:

For fault value = 1:

- the total drive moment of inertia is far higher than that of the motor (p0341, p0342).

De-select rotating measurement (p1960), enter the moment of inertia p0342, re-calculate the speed controller p0340 = 4 and repeat the measurement.

Re fault value = 1 ... 2:

- increase the measuring speed (p1961) and repeat the measurement.

Re fault value = 1 ... 4:

- check the motor parameters (rating plate data). After the change: Calculate p0340 = 3.
- check the moment of inertia (p0341, p0342). After the change: Calculate p0340 = 3.
- carry out a motor data identification routine (p1910).
- if required, reduce the dynamic factor (p1967 < 25 %).

For fault value = 5:

- the speed setpoint (p1961) is too high. Reduce the speed.

For fault value = 6:

- adapt the speed setpoint (p1961) or minimum limiting (p1080).

For fault value = 7:

- adapt the speed setpoint (p1961) or suppression (skip) bandwidths (p1091 ... p1094, p1101).

For fault value = 8:

- adapt the speed setpoint (p1961) or maximum limit (p1082, p1083 and p1086).

Re fault value = 9, 10:

- the measurement was carried out at an operating point where the load torque is too high. Select a more suitable operating point, either by changing the speed setpoint (p1961) or by reducing the load torque. The load torque may not be varied while making measurements.

Note:

The saturation characteristic identification routine can be disabled using p1959.1.

See also: p1959 (Rotating measurement configuration)

F07984	Drive: Speed controller optimization, moment of inertia
Message class:	Error in the parameterization / configuration / commissioning procedure (18)
Reaction:	OFF1 (NONE, OFF2)
Acknowledge:	IMMEDIATELY
Cause:	A fault has occurred while identifying the moment of inertia. Fault value (r0949, interpret decimal): 1: The speed did not reach a steady-state condition. 2: The speed setpoint was not able to be approached as the minimum limiting is active. 3: The speed setpoint was not able to be approached as the suppression (skip) bandwidth is active. 4: The speed setpoint was not able to be approached as the maximum limiting is active. 5: It is not possible to increase the speed by 10% as the minimum limiting is active. 6: It is not possible to increase the speed by 10% as the suppression (skip) bandwidth is active. 7: It is not possible to increase the speed by 10% as the maximum limiting is active. 8: The torque difference after the speed setpoint step is too low in order to be able to still reliably identify the moment of inertia. 9: Too few data to be able to reliably identify the moment of inertia. 10: After the setpoint step, the speed either changed too little or in the incorrect direction. 11: The identified moment of inertia is not plausible.
Remedy:	For fault value = 1: - check the motor parameters (rating plate data). After the change: Calculate p0340 = 3. - check the moment of inertia (p0341, p0342). After the change: Calculate p0340 = 3. - carry out a motor data identification routine (p1910). - if required, reduce the dynamic factor (p1967 < 25 %). Re fault value = 2, 5: - adapt the speed setpoint (p1965) or adapt the minimum limit (p1080). Re fault value = 3, 6: - adapt the speed setpoint (p1965) or suppression (skip) bandwidths (p1091 ... p1094, p1101). Re fault value = 4, 7: - adapt the speed setpoint (p1965) or maximum limit (p1082, p1083 and p1086). For fault value = 8: - the total drive moment of inertia is far higher than that of the motor (refer to p0341, p0342). De-select rotating measurement (p1960), enter the moment of inertia p0342, re-calculate the speed controller p0340 = 4 and repeat the measurement. For fault value = 9: - check the moment of inertia (p0341, p0342). After the change, re-calculate (p0340 = 3 or 4). For fault value = 10: - check the moment of inertia (p0341, p0342). After the change: Calculate p0340 = 3. Note: The moment of inertia identification routine can be disabled using p1959.2. See also: p1959 (Rotating measurement configuration)

F07985	Drive: Speed controller optimization (oscillation test)
Message class:	Error in the parameterization / configuration / commissioning procedure (18)
Reaction:	OFF1 (NONE, OFF2)
Acknowledge:	IMMEDIATELY
Cause:	A fault has occurred during the vibration test. Fault value (r0949, interpret decimal): 1: The speed did not reach a steady-state condition. 2: The speed setpoint was not able to be approached as the minimum limiting is active. 3: The speed setpoint was not able to be approached as the suppression (skip) bandwidth is active. 4: The speed setpoint was not able to be approached as the maximum limiting is active. 5: Torque limits too low for a torque step. 6: No suitable speed controller setting was found.

Remedy:

- For fault value = 1:
 - check the motor parameters (rating plate data). After the change: Calculate p0340 = 3.
 - check the moment of inertia (p0341, p0342). After the change: Calculate p0340 = 3.
 - carry out a motor data identification routine (p1910).
 - if required, reduce the dynamic factor (p1967 < 25 %).
- For fault value = 2:
 - adapt the speed setpoint (p1965) or adapt the minimum limit (p1080).
- For fault value = 3:
 - adapt the speed setpoint (p1965) or suppression (skip) bandwidths (p1091 ... p1094, p1101).
- For fault value = 4:
 - adapt the speed setpoint (p1965) or maximum limit (p1082, p1083 and p1086).
- For fault value = 5:
 - increase the torque limits (e.g. p1520, p1521).
- For fault value = 6:
 - reduce the dynamic factor (p1967).
 - disable the vibration test (p1959.4 = 0) and repeat the rotating measurement.

See also: p1959 (Rotating measurement configuration)

F07986 **Drive: Rotating measurement ramp-function generator**

Message class: Error in the parameterization / configuration / commissioning procedure (18)

Reaction: OFF1 (NONE, OFF2)

Acknowledge: IMMEDIATELY

Cause: During the rotating measurements, problems with the ramp-function generator occurred.
Fault value (r0949, interpret decimal):
1: The positive and negative directions are inhibited.

Remedy: For fault value = 1:
Enable the direction (p1110 or p1111).

F07988 **Drive: Rotating measurement, no configuration selected**

Message class: Error in the parameterization / configuration / commissioning procedure (18)

Reaction: OFF2 (NONE, OFF1)

Acknowledge: IMMEDIATELY

Cause: When configuring the rotating measurement (p1959), no function was selected.

Remedy: Select at least one function for automatic optimization of the speed controller (p1959).
See also: p1959 (Rotating measurement configuration)

F07990 **Drive: Incorrect motor data identification**

Message class: Error in the parameterization / configuration / commissioning procedure (18)

Reaction: OFF2 (NONE, OFF1)

Acknowledge: IMMEDIATELY

Cause: A fault has occurred during the identification routine.
Fault value (r0949, interpret decimal):
1: Current limit value reached.
2: Identified stator resistance lies outside the expected range 0.1 ... 100% of Zn.
3: Identified rotor resistance lies outside the expected range 0.1 ... 100% of Zn.
4: Identified stator reactance lies outside the expected range 50 ... 500 % of Zn.
5: Identified magnetizing reactance lies outside the expected range 50 ... 500 % of Zn.
6: Identified rotor time constant lies outside the expected range 10 ms ... 5 s.
7: Identified total leakage reactance lies outside the expected range 4 ... 50 % of Zn.
8: Identified stator leakage reactance lies outside the expected range 2 ... 50% of Zn.
9: Identified rotor leakage reactance lies outside the expected range 2 ... 50% of Zn.
10: Motor has been incorrectly connected.
11: Motor shaft rotates.
12: Ground fault detected.
15: Pulse inhibit occurred during motor data identification

4 Faults and alarms

4.2 List of faults and alarms

20: Identified threshold voltage of the semiconductor devices lies outside the expected range 0 ... 10 V.

30: Current controller in voltage limiting.

40: At least one identification contains errors. The identified parameters are not saved to prevent inconsistencies.

Note:

Percentage values are referred to the rated motor impedance:

$Z_n = V_{\text{mot,nom}} / \sqrt{3} / I_{\text{mot,nom}}$

Remedy:

Re fault value = 1 ... 40:

- check whether motor data have been correctly entered in p0300, p0304 ... p0311.

- is there an appropriate relationship between the motor power rating and that of the power unit? The ratio of the power unit to the rated motor current should not be less than 0.5 and not be greater than 4.

- check connection type (star-delta).

Re fault value = 4, 7:

- check whether the inductance in p0233 is correctly set.

- check whether motor has been correctly connected (star-delta).

Re fault value = 11 in addition:

- Deactivate oscillation monitoring (p1909.7 = 1).

For fault value = 12:

- check the power cable connections.

- check the motor.

- check the CT.

A07991 (N)

Drive: Motor data identification activated

Message class:

Error in the parameterization / configuration / commissioning procedure (18)

Reaction:

NONE

Acknowledge:

NONE

Cause:

The motor data identification routine is activated.

The motor data identification routine is carried out at the next power-on command.

If rotating measurement is selected (see p1900, p1960), it will not be possible to save the parameter assignment.

Once motor data identification has been completed or de-activated, the option to save the parameter assignment will be made available again.

See also: p1910 (Motor data identification selection)

Remedy:

Not necessary.

The alarm automatically disappears after the motor data identification routine has been successfully completed or for the setting p1900 = 0.

A07994 (F, N)

Drive: motor data identification not performed

Message class:

Error in the parameterization / configuration / commissioning procedure (18)

Reaction:

NONE

Acknowledge:

NONE

Cause:

The "vector control" mode has been selected and a motor data identification has still not been performed.

The alarm is initiated when changing the drive data set (see r0051) in the following cases:

- vector control is parameterized in the actual drive data set (p1300 >= 20).

and

- motor data identification has still not been performed in the actual drive data set (see r3925).

Note:

For SINAMICS G120, a check is made and an alarm is output also when exiting commissioning and when the system powers up.

Remedy:

- Perform motor data identification (see p1900).

- If required, parameterize "U/f control" (p1300 < 20).

- switch over to a drive data set, in which the conditions do not apply.

F08000 (N, A)	TB: +/-15 V power supply faulted
Message class:	Supply voltage fault (undervoltage) (3)
Reaction:	NONE (IASC/DCBRK, OFF1, OFF2, OFF3, STOP2)
Acknowledge:	IMMEDIATELY (POWER ON)
Cause:	Terminal Board 30 detects an incorrect internal power supply voltage. Fault value (r0949, interpret decimal): 0: Error when testing the monitoring circuit. 1: Fault in normal operation.
Remedy:	- replace Terminal Board 30. - replace Control Unit.

F08010 (N, A)	TB: Analog-digital converter
Message class:	Hardware / software error (1)
Reaction:	OFF1 (IASC/DCBRK, NONE, OFF2, OFF3, STOP2)
Acknowledge:	IMMEDIATELY (POWER ON)
Cause:	The analog/digital converter on Terminal Board 30 has not supplied any converted data.
Remedy:	- check the power supply. - replace Terminal Board 30.

F08501 (N, A)	PROFINET: Setpoint timeout
Message class:	Communication error to the higher-level control system (9)
Reaction:	OFF3 (IASC/DCBRK, NONE, OFF1, OFF2, STOP2)
Acknowledge:	IMMEDIATELY
Cause:	The reception of setpoints from PROFINET has been interrupted. - bus connection interrupted. - controller switched off. - controller set into the STOP state.
Remedy:	- Restore the bus connection and set the controller to RUN. - check the set monitoring time if the error persists (p2040).

F08502 (A)	PROFINET: Monitoring time sign-of-life expired
Message class:	Communication error to the higher-level control system (9)
Reaction:	OFF1 (OFF2, OFF3)
Acknowledge:	IMMEDIATELY
Cause:	The monitoring time for the sign-of-life counter has expired. The connection to the PROFINET interface was interrupted.
Remedy:	- carry out a POWER ON (power off/on). - contact the Hotline.

A08511 (F)	PROFINET: Receive configuration data invalid
Message class:	Error in the parameterization / configuration / commissioning procedure (18)
Reaction:	NONE
Acknowledge:	NONE
Cause:	The drive unit did not accept the receive configuration data. Alarm value (r2124, interpret decimal): Return value of the receive configuration data check. 2: Too many PZD data words for output or input to a drive object. Maximum of 12 words are possible. 3: Uneven number of bytes for input or output. 501: PROFIsafe parameter error (e.g. F_dest). 502: PROFIsafe telegram does not match.
Remedy:	Check the receive configuration data. Re alarm value = 2: - Check the number of data words for output and input to a drive object. Re alarm value = 501: - Check the set PROFIsafe address (p9610).

4 Faults and alarms

4.2 List of faults and alarms

Re alarm value = 502:
Check the enable of F-DI (p9501.30).

A08526 (F)	PROFINET: No cyclic connection
Message class:	Communication error to the higher-level control system (9)
Reaction:	NONE
Acknowledge:	NONE
Cause:	There is no connection to a PROFINET controller.
Remedy:	Establish the cyclic connection and activate the controller with cyclic operation. Check the parameters "Name of Station" and "IP of Station" (r61000, r61001).

A08565	PROFINET: Consistency error affecting adjustable parameters
Message class:	Error in the parameterization / configuration / commissioning procedure (18)
Reaction:	NONE
Acknowledge:	NONE
Cause:	A consistency error was detected when activating the configuration (p8925) for the PROFINET interface. The currently set configuration has not been activated. Alarm value (r2124, interpret decimal): 0: general consistency error 1: error in the IP configuration (IP address, subnet mask or standard gateway) 2: Error in the station names. 3: DHCP was not able to be activated, as a cyclic PROFINET connection already exists. 4: a cyclic PROFINET connection is not possible as DHCP is activated. See also: p8920 (PN Name of Station), p8921 (PN IP address of station), p8922 (PN Default Gateway of Station), p8923 (PN Subnet Mask of Station)
Remedy:	- Check the required interface configuration (p8920 and following), correct if necessary, and activate (p8925). or - Reconfigure the station via the "Edit Ethernet node" screen form (e.g. with STARTER commissioning software). See also: p8925 (PN interface configuration)

F08700 (A)	CAN: Communications error
Message class:	Communication error to the higher-level control system (9)
Reaction:	OFF3 (NONE, OFF1, OFF2)
Acknowledge:	IMMEDIATELY
Cause:	A CAN communications error has occurred. Fault value (r0949, interpret decimal): 1: The error counter for the send telegrams has exceeded the BUS OFF value 255. The bus disables the CAN controller. - bus cable short circuit. - incorrect baud rate. - incorrect bit timing. 2: The master no longer interrogated the CAN node status longer than for its "life time". The "life time" is obtained from the "guard time" (p8604[0]) multiplied by the "life time factor" (p8604[1]). - bus cable interrupted. - bus cable not connected. - incorrect baud rate. - incorrect bit timing. - master fault. Note: The fault response can be set as required using p8641. See also: p8604 (CAN life guarding), p8641 (CAN Abort Connection Option Code)
Remedy:	- check the bus cable - check the baud rate (p8622). - check the bit timing (p8623). - check the master.

The CAN controller must be manually restarted with p8608 = 1 after the cause of the fault has been resolved!
See also: p8608 (CAN Clear Bus Off Error), p8622 (CAN bit rate), p8623 (CAN Bit Timing selection)

F08701	CAN: NMT state change
Message class:	Communication error to the higher-level control system (9)
Reaction:	OFF3
Acknowledge:	IMMEDIATELY
Cause:	A CANopen NMT state transition from "operational" to "pre-operational" or after "stopped". Fault value (r0949, interpret decimal): 1: CANopen NMT state transition from "operational" to "pre-operational". 2: CANopen NMT state transition from "operational" to "stopped". Note: In the NMT state "pre-operational", process data cannot be transferred and in the NMT state "stopped", no process data and no service data can be transferred.
Remedy:	Not necessary. Acknowledge the fault and continue operation.

F08702 (A)	CAN: RPDO Timeout
Message class:	Communication error to the higher-level control system (9)
Reaction:	OFF3 (NONE, OFF1, OFF2)
Acknowledge:	IMMEDIATELY
Cause:	The monitoring time of the CANopen RPDO telegram has expired because the bus connection was either interrupted or the CANopen Master was switched-off. See also: p8699 (CAN: RPDO monitoring time)
Remedy:	- check the bus cable - check the master. - If required, increase the monitoring time (p8699).

A08751 (N)	CAN: Telegram loss
Message class:	Communication error to the higher-level control system (9)
Reaction:	NONE
Acknowledge:	NONE
Cause:	The CAN controller has lost a receive message (telegram).
Remedy:	Reduce the cycle times of the receive messages.

A08752	CAN: Error counter for error passive exceeded
Message class:	Communication error to the higher-level control system (9)
Reaction:	NONE
Acknowledge:	NONE
Cause:	The error counter for the send or receive telegrams has exceeded the value 127.
Remedy:	- check the bus cable - set a higher baud rate (p8622). - check the bit timing and if required optimize (p8623). See also: p8622 (CAN bit rate), p8623 (CAN Bit Timing selection)

A08753	CAN: Message buffer overflow
Message class:	Communication error to the higher-level control system (9)
Reaction:	NONE
Acknowledge:	NONE
Cause:	A message buffer overflow. Alarm value (r2124, interpret decimal): 1: Non-cyclic send buffer (SDO response buffer) overflow. 2: Non-cyclic receive buffer (SDO receive buffer) overflow. 3: Cyclic send buffer (PDO send buffer) overflow.

4 Faults and alarms

4.2 List of faults and alarms

Remedy:

- check the bus cable.
- set a higher baud rate (p8622).
- check the bit timing and if required optimize (p8623).

Re alarm value = 2:

- reduce the cycle times of the SDO receive messages.
- SDO request from master only after SDO feedback for previous SDO request.

See also: p8622 (CAN bit rate), p8623 (CAN Bit Timing selection)

A08754 **CAN: Incorrect communications mode**

Message class: Error in the parameterization / configuration / commissioning procedure (18)

Reaction: NONE

Acknowledge: NONE

Cause: In the "operational" mode, an attempt was made to change parameters p8700 ... p8737.

Remedy: Change to the "pre-operational" or "stopped" mode.

A08755 **CAN: Obj cannot be mapped**

Message class: Error in the parameterization / configuration / commissioning procedure (18)

Reaction: NONE

Acknowledge: NONE

Cause: The CANopen object is not provided for the Process Data Object (PDO) Mapping.

Remedy: Use a CANopen object intended for the PDO mapping or enter 0.

The following objects can be mapped in the Receive Process Data Object (RPDO) or Transmit Process Data Object (TPDO):

- RPDO: 6040 hex, 6060 hex, 60FF hex, 6071 hex; 5800 hex - 580F hex; 5820 hex - 5827 hex
- TPDO: 6041 hex, 6061 hex, 6063 hex, 6069 hex, 606B hex, 606C hex, 6074 hex; 5810 hex - 581F hex; 5830 hex - 5837 hex

Only sub-index 0 of the specified objects can be mapped.

Note:

As long as A08755 is present, the COB-ID cannot be set to valid.

A08756 **CAN: Number of mapped bytes exceeded**

Message class: Error in the parameterization / configuration / commissioning procedure (18)

Reaction: NONE

Acknowledge: NONE

Cause: The number of bytes of the mapped objects exceeds the telegram size for net data. A max. of 8 bytes is permissible.

Remedy: Map fewer objects or objects with a smaller data type.

See also: p8710, p8711, p8712, p8713, p8714, p8715, p8716, p8717, p8730, p8731, p8732, p8733, p8734, p8735, p8736, p8737

A08757 **CAN: Set COB-ID invalid**

Message class: Error in the parameterization / configuration / commissioning procedure (18)

Reaction: NONE

Acknowledge: NONE

Cause: For online operation, the appropriate COB-ID must be set invalid before mapping.

Example:

Mapping for RPDO 1 should be changed (p8710[0]).

- > set p8700[0] = C00006E0 hex (invalid COB-ID)
- > set p8710[0] as required.
- > p8700[0] enter a valid COB-ID

Remedy: Set the COB-ID to invalid.

A08759 **CAN: PDO COB-ID already available**

Message class: Error in the parameterization / configuration / commissioning procedure (18)

Reaction: NONE

Acknowledge: NONE

Cause: An existing PDO COB-ID was allocated.

Remedy: Select another PDO COB-ID.

A08760 **CAN: maximum size of the IF PZD exceeded**
Message class: Error in the parameterization / configuration / commissioning procedure (18)
Reaction: NONE
Acknowledge: NONE
Cause: The maximum size of the IF PZD was exceeded.
Alarm value (r2124, interpret decimal):
1: error for IF PZD receive.
2: error for IF PZD send.
Note:
IF: interface
Remedy: Map fewer process data in PDO.
Apply one of the following options to delete the alarm:
- POWER ON (off/on).
- carry out a warm restart (p0009 = 30, p0976 = 2).
- execute CANopen NMT command reset node.
- change CANopen NMT state.
- delete alarm buffer [0...7] (p2111 = 0).

A08800 **PROFenergy energy-saving mode active**
Message class: Communication error to the higher-level control system (9)
Reaction: NONE
Acknowledge: NONE
Cause: The PROFenergy energy-saving mode is active
Alarm value (r2124, interpret decimal):
Mode ID of the active PROFenergy energy-saving mode.
See also: r5600 (Pe energy saving mode ID)
Remedy: The alarm automatically disappears when the energy-saving mode is exited.
Note:
After receiving the PROFenergy command "End_Pause" via PROFINET, the energy-saving mode is exited.

A08802 **PROFenergy not possible to switch off incremental encoder supply**
Message class: Communication error to the higher-level control system (9)
Reaction: NONE
Acknowledge: NONE
Cause: The incremental encoder is used for the closed-loop position control. This means that its power supply cannot be switched off during the PROFenergy energy-saving mode, otherwise it would lose its position actual value.
Alarm value (r2124, interpret decimal):
Encoder number
Remedy: The alarm automatically disappears when the energy-saving mode is exited.
Note:
After receiving the PROFenergy command "End_Pause" via PROFINET, the energy-saving mode is exited.

A13000 **License not adequate**
Message class: Error in the parameterization / configuration / commissioning procedure (18)
Reaction: NONE
Acknowledge: NONE
Cause: - for the drive unit, the options that require a license are being used but the licenses are not sufficient.
- an error occurred when checking the existing licenses.
Alarm value (r2124, interpret decimal):
0:
The existing license is not sufficient.
1:
An adequate license was not able to be determined as the memory card with the required licensing data was withdrawn in operation.

4 Faults and alarms

4.2 List of faults and alarms

2:

An adequate license was not able to be determined as there is no licensing data available on the memory card.

3:

An adequate license was not able to be determined as there is a checksum error in the license key.

4:

An internal error occurred when checking the license.

Remedy:

Re alarm value = 0:

Additional licenses are required and these must be activated (p9920, p9921).

Re alarm value = 1:

With the system powered down, re-insert the memory card that matches the system.

Re alarm value = 2:

Enter and activate the license key (p9920, p9921).

Re alarm value = 3:

Compare the license key (p9920) entered with the license key on the certificate of license.

Re-enter the license key and activate (p9920, p9921).

Re alarm value = 4:

- carry out a POWER ON.

- upgrade firmware to later version.

- contact the Hotline.

A13001 Error in license checksum

Message class: Error in the parameterization / configuration / commissioning procedure (18)

Reaction: NONE

Acknowledge: NONE

Cause: When checking the checksum of the license key, an error was detected.

Remedy: Compare the license key (p9920) entered with the license key on the certificate of license.
Re-enter the license key and activate (p9920, p9921).

F13009 Licensing OA application not licensed

Message class: Error in the parameterization / configuration / commissioning procedure (18)

Reaction: OFF1

Acknowledge: IMMEDIATELY

Cause: At least one OA application which is under license does not have a license.

Note:

Refer to r4955 and p4955 for information about the installed OA applications.

Remedy: - enter and activate the license key for OA applications under license (p9920, p9921).
- if necessary, de-activate unlicensed OA applications (p4956).
See also: p9920 (Licensing enter license key), p9921 (Licensing activate license key)

F13010 Licensing function module not licensed

Message class: Error in the parameterization / configuration / commissioning procedure (18)

Reaction: OFF1

Acknowledge: IMMEDIATELY

Cause: At least one function module which is under license does not have a license.

Fault value (r0949, interpret hexadecimal):

Bit x = 1: The corresponding function module does not have a license.

Note:

Refer to p0108 or r0108 for the assignment between the bit number and function module.

Remedy: - enter and activate the license key for function modules under license (p9920, p9921).
- if necessary, de-activate unlicensed function modules (p0108, r0108).
See also: p9920 (Licensing enter license key), p9921 (Licensing activate license key)

F13100	Know-how protection: Copy protection error
Message class:	Error in the parameterization / configuration / commissioning procedure (18)
Reaction:	OFF1
Acknowledge:	IMMEDIATELY
Cause:	The know-how protection with copy protection for the memory card is active. An error has occurred when checking the memory card. Fault value (r0949, interpret decimal): 0: A memory card is not inserted. 1: An invalid memory card is inserted (not SIEMENS). 2: An invalid memory card is inserted. 3: The memory card is being used in another Control Unit. 12: An invalid memory card is inserted (OEM input incorrect, p7769). 13: The memory card is being used in another Control Unit (OEM input incorrect, p7759). See also: p7765 (KHP configuration)
Remedy:	Re fault value = 0, 1: - Insert the correct memory card and carry out POWER ON. Re fault value = 2, 3, 12, 13: - contact the responsible OEM. - Deactivate copy protection (p7765) and acknowledge the fault (p3981). - Deactivate know-how protection (p7766 ... p7768) and acknowledge the fault (p3981). Note: In general, the copy protection can only be changed when know-how protection is deactivated. KHP: Know-How Protection See also: p3981 (Faults acknowledge drive object), p7765 (KHP configuration)
<hr/>	
F13101	Know-how protection: Copy protection cannot be activated
Message class:	Error in the parameterization / configuration / commissioning procedure (18)
Reaction:	NONE
Acknowledge:	IMMEDIATELY
Cause:	An error occurred when attempting to activate the copy protection for the memory card. Fault value (r0949, interpret decimal): 0: A memory card is not inserted. 1: An invalid memory card is inserted (not SIEMENS). Note: KHP: Know-How Protection
Remedy:	- Insert a valid memory card. - Try to activate copy protection again (p7765). See also: p7765 (KHP configuration)
<hr/>	
F13102	Know-how protection: Consistency error of the protected data
Message class:	Error in the parameterization / configuration / commissioning procedure (18)
Reaction:	OFF1
Acknowledge:	IMMEDIATELY
Cause:	An error was identified when checking the consistency of the protected files. As a consequence, the project on the memory card cannot be run. Fault value (r0949, interpret hexadecimal): yyyyxxxx hex: yyyy = object number, xxxx = fault cause xxxx = 1: A file has a checksum error. xxxx = 2: The files are not consistent with one another. xxxx = 3: The project files, which were loaded into the file system via load (download from the memory card), are inconsistent. Note: KHP: Know-How Protection

4 Faults and alarms

4.2 List of faults and alarms

- Remedy:**
- Replace the project on the memory card or replace project files for download from the memory card.
 - Restore the factory setting and download again.

F30001

Power unit: Overcurrent

- Message class:** Power electronics faulted (5)
Reaction: OFF2
Acknowledge: IMMEDIATELY
Cause: The power unit has detected an overcurrent condition.
- closed-loop control is incorrectly parameterized.
 - motor has a short-circuit or fault to ground (frame).
 - U/f operation: Up ramp set too low.
 - U/f operation: rated current of motor much greater than that of power unit.
 - High discharge and post-charging current for line supply voltage interruptions.
 - High post-charging currents for overload when motoring and DC link voltage dip.
 - Short-circuit currents at power-on due to the missing line reactor.
 - power cables are not correctly connected.
 - power cables exceed the maximum permissible length.
 - power unit defective.
 - line phase interrupted.
- Fault value (r0949, interpret bitwise binary):
Bit 0: Phase U.
Bit 1: Phase V.
Bit 2: Phase W.
Bit 3: Overcurrent in the DC link.
Note:

- Remedy:**
- Fault value = 0 means that the phase with overcurrent is not recognized.
 - check the motor data - if required, carry out commissioning.
 - check the motor circuit configuration (star/delta).
 - U/f operation: Increase up ramp.
 - U/f operation: Check assignment of rated currents of motor and power unit.
 - check the line supply quality.
 - Reduce motor load.
 - Correct connection of line reactor.
 - check the power cable connections.
 - check the power cables for short-circuit or ground fault.
 - check the length of the power cables.
 - replace power unit.
 - check the line supply phases.

F30002

Power unit: DC link voltage overvoltage

- Message class:** DC link overvoltage (4)
Reaction: OFF2
Acknowledge: IMMEDIATELY
Cause: The power unit has detected an overvoltage condition in the DC link.
- motor regenerates too much energy.
 - line supply voltage too high.
 - line phase interrupted.
 - DC-link voltage control switched off.
 - dynamic response of DC-link voltage controller excessive or insufficient.
- Fault value (r0949, interpret decimal):
DC link voltage at the time of trip [0.1 V].

- Remedy:**
- increase the ramp-down time (p1121).
 - set the rounding times (p1130, p1136). This is particularly recommended in U/f operation to relieve the DC link voltage controller with rapid ramp-down times of the ramp-function generator.
 - Activate the DC link voltage controller (p1240, p1280).

- adapt the dynamic response of the DC-link voltage controller (p1243, p1247, p1283, p1287).
 - check the line supply voltage and setting in p0210.
 - check and correct the phase assignment at the power unit.
 - check the line supply phases.
- See also: p0210 (Drive unit line supply voltage), p1240 (Vdc controller configuration (vector control))

F30003 Power unit: DC link voltage undervoltage

- Message class:** Infeed faulted (13)
Reaction: OFF2
Acknowledge: IMMEDIATELY
Cause: The power unit has detected an undervoltage condition in the DC link.
- line supply failure
 - line supply voltage below the permissible value.
 - line phase interrupted.
- Note:**
The monitoring threshold for the DC link undervoltage is the minimum of the following values:
- for a calculation, refer to p0210.
- Remedy:**
- check the line supply voltage
 - check the line supply phases.
- See also: p0210 (Drive unit line supply voltage)

F30004 Power unit: Overtemperature heat sink AC inverter

- Message class:** Power electronics faulted (5)
Reaction: OFF2
Acknowledge: IMMEDIATELY
Cause: The temperature of the power unit heat sink has exceeded the permissible limit value.
- insufficient cooling, fan failure.
 - overload.
 - ambient temperature too high.
 - pulse frequency too high.
- Fault value (r0949):**
Temperature [1 bit = 0.01 °C].
- Remedy:**
- check whether the fan is running.
 - check the fan elements.
 - check whether the ambient temperature is in the permissible range.
 - check the motor load.
 - reduce the pulse frequency if this is higher than the rated pulse frequency.
- Notice:**
This fault can only be acknowledged after this alarm threshold for alarm A05000 has been undershot.
See also: p1800 (Pulse frequency setpoint)

F30005 Power unit: Overload I2t

- Message class:** Power electronics faulted (5)
Reaction: OFF2
Acknowledge: IMMEDIATELY
Cause: The power unit was overloaded (r0036 = 100 %).
- the permissible rated power unit current was exceeded for an inadmissibly long time.
 - the permissible load duty cycle was not maintained.
- Fault value (r0949, interpret decimal):**
I2t [100 % = 16384].
- Remedy:**
- reduce the continuous load.
 - adapt the load duty cycle.
 - check the motor and power unit rated currents.

4 Faults and alarms

4.2 List of faults and alarms

- reduce the current limit (p0640).
 - during operation with U/f characteristic: reduce the integral time of the current limiting controller (p1341).
- See also: r0036 (Power unit overload I2t), r0206 (Rated power unit power), p0307 (Rated motor power)

F30011	Power unit: Line phase failure in main circuit
Message class:	Network fault (2)
Reaction:	OFF2 (OFF1)
Acknowledge:	IMMEDIATELY
Cause:	At the power unit, the DC link voltage ripple has exceeded the permissible limit value. Possible causes: <ul style="list-style-type: none">- A line phase has failed.- The 3 line phases are inadmissibly unsymmetrical.- The capacitance of the DC link capacitor forms a resonance frequency with the line inductance and the reactor integrated in the power unit.- the fuse of a phase of a main circuit has ruptured.- A motor phase has failed. Fault value (r0949, interpret decimal): Only for internal Siemens troubleshooting.
Remedy:	<ul style="list-style-type: none">- check the main circuit fuses.- Check whether a single-phase load is distorting the line voltages.- Detune the resonant frequency with the line inductance by using an upstream line reactor.- Dampen the resonant frequency with the line inductance by switching over the DC link voltage compensation in the software (see p1810) – or increase the smoothing (see p1806). However, this can have a negative impact on the torque ripple at the motor output.- check the motor feeder cables.

F30015 (N, A)	Power unit: Phase failure motor cable
Message class:	Application / technological function faulted (17)
Reaction:	OFF2 (NONE, OFF1, OFF3)
Acknowledge:	IMMEDIATELY
Cause:	A phase failure in the motor feeder cable was detected. The signal can also be output in the following cases: <ul style="list-style-type: none">- The motor is correctly connected, but the drive has stalled in U/f control. In this case, a current of 0 A is possibly measured in one phase due to asymmetry of the currents.- the motor is correctly connected, however the closed-speed control is instable and therefore an oscillating torque is generated. Note: Chassis power units do not feature phase failure monitoring.
Remedy:	<ul style="list-style-type: none">- check the motor feeder cables.- increase the ramp-up or ramp-down time (p1120) if the drive has stalled in U/f control.- check the speed controller settings.

A30016 (N)	Power unit: Load supply switched out
Message class:	Network fault (2)
Reaction:	NONE
Acknowledge:	NONE
Cause:	The DC link voltage is too low. Alarm value (r2124, interpret decimal): DC link voltage at the time of trip [0.1 V].
Remedy:	Under certain circumstances, the AC line supply is not switched on.

F30017	Power unit: Hardware current limit has responded too often
Message class:	Power electronics faulted (5)
Reaction:	OFF2
Acknowledge:	IMMEDIATELY
Cause:	The hardware current limitation in the relevant phase (see A30031, A30032, A30033) has responded too often. The number of times the limit has been exceeded depends on the design and type of power unit. <ul style="list-style-type: none">- closed-loop control is incorrectly parameterized.- fault in the motor or in the power cables.- the power cables exceed the maximum permissible length.- motor load too high- power unit defective. Fault value (r0949, interpret binary): Bit 0: Phase U Bit 1: Phase V Bit 2: Phase W
Remedy:	<ul style="list-style-type: none">- check the motor data.- check the motor circuit configuration (star-delta).- check the motor load.- check the power cable connections.- check the power cables for short-circuit or ground fault.- check the length of the power cables.- replace power unit.

F30021	Power unit: Ground fault
Message class:	Ground fault / inter-phase short-circuit detected (7)
Reaction:	OFF2
Acknowledge:	IMMEDIATELY
Cause:	The Power unit has detected a ground fault. Possible causes: <ul style="list-style-type: none">- ground fault in the power cables.- Ground fault at the motor.- CT defective.- when the brake closes, this causes the hardware DC current monitoring to respond.- short-circuit at the braking resistor. Fault value (r0949, interpret decimal): 0: <ul style="list-style-type: none">- the hardware DC current monitoring has responded.- short-circuit at the braking resistor. > 0: Absolute value, summation current [32767 = 271 % rated current].
Remedy:	<ul style="list-style-type: none">- check the power cable connections.- check the motor.- check the CT.- check the cables and contacts of the brake connection (a wire is possibly broken).- check the braking resistor. See also: p0287 (Ground fault monitoring thresholds)

F30022	Power unit: Monitoring U_{ce}
Message class:	Ground fault / inter-phase short-circuit detected (7)
Reaction:	OFF2
Acknowledge:	POWER ON
Cause:	In the power unit, the monitoring of the collector-emitter voltage (U _{ce}) of the semiconductor has responded. Possible causes: <ul style="list-style-type: none">- fiber-optic cable interrupted.- power supply of the IGBT gating module missing.

4 Faults and alarms

4.2 List of faults and alarms

- short-circuit at the power unit output.
- defective semiconductor in the power unit.

Fault value (r0949, interpret binary):

Bit 0: Short-circuit in phase U

Bit 1: Short circuit in phase V

Bit 2: Short-circuit in phase W

Bit 3: Light transmitter enable defective

Bit 4: U_{ce} group fault signal interrupted

See also: r0949 (Fault value)

- Remedy:**
- check the fiber-optic cable and if required, replace.
 - check the power supply of the IGBT gating module (24 V).
 - check the power cable connections.
 - select the defective semiconductor and replace.

F30024 **Power unit: Overtemperature thermal model**

Message class: Power electronics faulted (5)

Reaction: OFF2

Acknowledge: IMMEDIATELY

Cause: The temperature difference between the heat sink and chip has exceeded the permissible limit value.

- the permissible load duty cycle was not maintained.
- insufficient cooling, fan failure.
- overload.
- ambient temperature too high.
- pulse frequency too high.

See also: r0037 (Power unit temperatures)

- Remedy:**
- adapt the load duty cycle.
 - check whether the fan is running.
 - check the fan elements.
 - check whether the ambient temperature is in the permissible range.
 - check the motor load.
 - reduce the pulse frequency if this is higher than the rated pulse frequency.
 - if DC braking is active: reduce braking current (p1232).

F30025 **Power unit: Chip overtemperature**

Message class: Power electronics faulted (5)

Reaction: OFF2

Acknowledge: IMMEDIATELY

Cause: The chip temperature of the semiconductor has exceeded the permissible limit value.

- the permissible load duty cycle was not maintained.
- insufficient cooling, fan failure.
- overload.
- ambient temperature too high.
- pulse frequency too high.

Fault value (r0949, interpret decimal):

Temperature difference between the heat sink and chip [0.01 °C].

- Remedy:**
- adapt the load duty cycle.
 - check whether the fan is running.
 - check the fan elements.
 - check whether the ambient temperature is in the permissible range.
 - check the motor load.
 - reduce the pulse frequency if this is higher than the rated pulse frequency.

Notice:

This fault can only be acknowledged after this alarm threshold for alarm A05001 has been undershot.

See also: r0037 (Power unit temperatures)

F30027 Power unit: Precharging DC link time monitoring

Message class: Infeed faulted (13)

Reaction: OFF2

Acknowledge: IMMEDIATELY

Cause: The power unit DC link was not able to be pre-charged within the expected time.

- 1) There is no line supply voltage connected.
- 2) The line contactor/line side switch has not been closed.
- 3) The line supply voltage is too low.
- 4) Line supply voltage incorrectly set (p0210).
- 5) The pre-charging resistors are overheated as there were too many pre-charging operations per time unit.
- 6) The pre-charging resistors are overheated as the DC link capacitance is too high.
- 7) The DC link has either a ground fault or a short-circuit.
- 8) Pre-charging circuit may be defective.

Fault value (r0949, interpret binary):

yyyyxxxx hex:

yyyy = power unit state

0: Fault status (wait for OFF and fault acknowledgement).

1: Restart inhibit (wait for OFF).

2: Overvoltage condition detected -> change into the fault state.

3: Undervoltage condition detected -> change into the fault state.

4: Wait for bridging contactor to open -> change into the fault state.

5: Wait for bridging contactor to open -> change into restart inhibit.

6: Commissioning.

7: Ready for pre-charging.

8: Pre-charging started, DC link voltage less than the minimum switch-on voltage.

9: Pre-charging, DC link voltage end of pre-charging still not detected.

10: Wait for the end of the de-bounce time of the main contactor after pre-charging has been completed.

11: Pre-charging completed, ready for pulse enable.

12: Reserved.

xxxx = Missing internal enable signals, power unit (inverted bit-coded, FFFF hex -> all internal enable signals available)

Bit 0: Power supply of the IGBT gating shut down.

Bit 1: Ground fault detected.

Bit 2: Peak current intervention.

Bit 3: I_{2t} exceeded.

Bit 4: Thermal model overtemperature calculated.

Bit 5: (heat sink, gating module, power unit) overtemperature measured.

Bit 6: Reserved.

Bit 7: Overvoltage detected.

Bit 8: Power unit has completed pre-charging, ready for pulse enable.

Bit 9: Reserved.

Bit 10: Overcurrent detected.

Bit 11: Reserved.

Bit 12: Reserved.

Bit 13: V_{ce} fault detected, transistor de-saturated due to overcurrent/short-circuit.

Bit 14: Undervoltage detected.

See also: p0210 (Drive unit line supply voltage)

Remedy: In general:

- check the line supply voltage at the input terminals.

- check the line supply voltage setting (p0210).

- wait until the pre-charging resistors have cooled down. For this purpose, preferably disconnect the infeed unit from the line supply.

Re 5):

- carefully observe the permissible pre-charging frequency (refer to the appropriate Equipment Manual).

4 Faults and alarms

4.2 List of faults and alarms

Re 6):

- check the capacitance of the DC link and, if necessary, reduce it in accordance with the maximum permissible DC link capacitance (see relevant Equipment Manual).

Re 7):

- check the DC link for a ground fault or short circuit.

See also: p0210 (Drive unit line supply voltage)

A30030	Power unit: Internal overtemperature alarm
Message class:	Power electronics faulted (5)
Reaction:	NONE
Acknowledge:	NONE
Cause:	The temperature inside the drive converter has exceeded the permissible temperature limit. <ul style="list-style-type: none">- insufficient cooling, fan failure.- overload.- ambient temperature too high. Alarm value (r2124, interpret decimal): Only for internal Siemens troubleshooting.
Remedy:	<ul style="list-style-type: none">- possibly use an additional fan.- check whether the ambient temperature is in the permissible range. Notice: This fault can only be acknowledged once the permissible temperature limit minus 5 K has been fallen below.

A30031	Power unit: Hardware current limiting in phase U
Message class:	Power electronics faulted (5)
Reaction:	NONE
Acknowledge:	NONE
Cause:	Hardware current limit for phase U responded. The pulsing in this phase is inhibited for one pulse period. <ul style="list-style-type: none">- closed-loop control is incorrectly parameterized.- fault in the motor or in the power cables.- the power cables exceed the maximum permissible length.- motor load too high- power unit defective. Note: Alarm A30031 is always output if, for a Power Module, the hardware current limiting of phase U, V or W responds.
Remedy:	<ul style="list-style-type: none">- check the motor data and if required, recalculate the control parameters (p0340 = 3). As an alternative, run a motor data identification (p1910 = 1, p1960 = 1).- check the motor circuit configuration (star/delta).- check the motor load.- check the power cable connections.- check the power cables for short-circuit or ground fault.- check the length of the power cables.

A30032	Power unit: Hardware current limiting in phase V
Message class:	Power electronics faulted (5)
Reaction:	NONE
Acknowledge:	NONE
Cause:	Hardware current limit for phase V responded. The pulsing in this phase is inhibited for one pulse period. <ul style="list-style-type: none">- closed-loop control is incorrectly parameterized.- fault in the motor or in the power cables.- the power cables exceed the maximum permissible length.- motor load too high- power unit defective. Note: Alarm A30031 is always output if, for a Power Module, the hardware current limiting of phase U, V or W responds.

Remedy: Check the motor data and if required, recalculate the control parameters (p0340 = 3). As an alternative, run a motor data identification (p1910 = 1, p1960 = 1).

- check the motor circuit configuration (star/delta).
- check the motor load.
- check the power cable connections.
- check the power cables for short-circuit or ground fault.
- check the length of the power cables.

A30033 Power unit: Hardware current limiting in phase W

Message class: Power electronics faulted (5)
Reaction: NONE
Acknowledge: NONE
Cause: Hardware current limit for phase W responded. The pulsing in this phase is inhibited for one pulse period.

- closed-loop control is incorrectly parameterized.
- fault in the motor or in the power cables.
- the power cables exceed the maximum permissible length.
- motor load too high
- power unit defective.

Note:

Alarm A30031 is always output if, for a Power Module, the hardware current limiting of phase U, V or W responds.

Remedy:

- check the motor data and if required, recalculate the control parameters (p0340 = 3). As an alternative, run a motor data identification (p1910 = 1, p1960 = 1).
- check the motor circuit configuration (star/delta).
- check the motor load.
- check the power cable connections.
- check the power cables for short-circuit or ground fault.
- check the length of the power cables.

A30034 Power unit: Internal overtemperature

Message class: Power electronics faulted (5)
Reaction: NONE
Acknowledge: NONE
Cause: The alarm threshold for internal overtemperature has been reached.
 If the temperature inside the unit continues to increase, fault F30036 may be triggered.

- ambient temperature might be too high.
- insufficient cooling, fan failure.

Fault value (r0949, interpret decimal):
 Only for internal Siemens troubleshooting.

Remedy:

- check the ambient temperature.
- check the fan for the inside of the unit.

F30036 Power unit: Internal overtemperature

Message class: Power electronics faulted (5)
Reaction: OFF2
Acknowledge: IMMEDIATELY
Cause: The temperature inside the drive converter has exceeded the permissible temperature limit.

- insufficient cooling, fan failure.
- overload.
- ambient temperature too high.

Fault value (r0949, interpret decimal):
 Only for internal Siemens troubleshooting.

Remedy:

- check whether the fan is running.
- check the fan elements.
- check whether the ambient temperature is in the permissible range.

Notice:
 This fault can only be acknowledged once the permissible temperature limit minus 5 K has been fallen below.

4 Faults and alarms

4.2 List of faults and alarms

A30042	Power unit: Fan has reached the maximum operating hours
Message class:	Power electronics faulted (5)
Reaction:	NONE
Acknowledge:	NONE
Cause:	The maximum operating time of at least one fan will soon be reached, or has already been exceeded. Fault value (r0949, interpret binary): Bit 0: heat sink fan will reach the maximum operating time in 500 hours. Bit 1: heat sink fan has exceeded the maximum operating time. Bit 8: internal device fan will reach the maximum operating time in 500 hours. Bit 9: internal device fan has exceeded the maximum operating time. Note: The maximum operating time of the heat sink fan in the power unit is displayed in p0252. The maximum operating time of the internal device fan in the power unit is internally specified and is fixed.
Remedy:	For the fan involved, carry out the following: - replace the fan. - reset the operating hours counter (p0251, p0254).

F30051	Power unit: Motor holding brake short circuit detected
Message class:	External measured value / signal state outside the permissible range (16)
Reaction:	OFF2
Acknowledge:	IMMEDIATELY
Cause:	A short-circuit at the motor holding brake terminals has been detected. Fault value (r0949, interpret decimal): Only for internal Siemens troubleshooting.
Remedy:	- check the motor holding brake for a short-circuit. - check the connection and cable for the motor holding brake.

F30052	EEPROM data error
Message class:	Hardware / software error (1)
Reaction:	OFF2
Acknowledge:	POWER ON
Cause:	EEPROM data error of the power unit module. Fault value (r0949, interpret decimal): 0, 2, 3, 4: The EEPROM data read in from the power unit module is inconsistent. 1: EEPROM data is not compatible to the firmware of the Control Unit.
Remedy:	Replace power unit module.

A30054 (F, N)	Power unit: Undervoltage when opening the brake
Message class:	Supply voltage fault (undervoltage) (3)
Reaction:	NONE
Acknowledge:	NONE
Cause:	When the brake is being opened, it is detected that the power supply voltage is less than $24\text{ V} - 10\% = 21.6\text{V}$. Alarm value (r2124, interpret decimal): Supply voltage fault [0.1 V]. Example: Alarm value = 195 --> voltage = 19.5 V
Remedy:	Check the 24 V voltage for stability and value.

A30057	Power unit: Line asymmetry
Message class:	Network fault (2)
Reaction:	NONE
Acknowledge:	NONE
Cause:	Frequencies have been detected on the DC link voltage that would suggest line asymmetry or failure of a line phase. It is also possible that a motor phase has failed. Fault F30011 is output if the alarm is present and at the latest after 5 minutes. The precise duration depends on the power unit type and the particular frequencies. For booksize and chassis power units, the duration also depends on how long the alarm has been active. Alarm value (r2124, interpret decimal): Only for internal Siemens troubleshooting.
Remedy:	- check the line phase connection. - check the motor feeder cable connections. If there is no phase failure of the line or motor, then line asymmetry is involved. - reduce the power in order to avoid fault F30011.
A30065 (F, N)	Voltage measured values not plausible
Message class:	Power electronics faulted (5)
Reaction:	NONE
Acknowledge:	NONE
Cause:	The voltage measurement supplies values that are not plausible Bit01: Phase U. Bit02: Phase V. Bit03: Phase W.
Remedy:	- Deactivate voltage measurement (p247.0 = 0). - Deactivate flying restart with voltage measurement (p247.5 = 0) and deactivate fast flying restart (p1780.11 = 0).
F30071	No new actual values received from the Power Module
Message class:	Internal (DRIVE-CLiQ) communication error (12)
Reaction:	OFF2
Acknowledge:	IMMEDIATELY
Cause:	More than one actual value telegram from the power unit module has failed.
Remedy:	Check the interface (adjustment and locking) to the power unit module.
F30072	Setpoints can no longer be transferred to the Power Module
Message class:	Internal (DRIVE-CLiQ) communication error (12)
Reaction:	OFF2
Acknowledge:	IMMEDIATELY
Cause:	More than one setpoint telegram was not able to be transferred to the power unit module.
Remedy:	Check the interface (adjustment and locking) to the power unit module.
F30074 (A)	Communication error between the Control Unit and Power Module
Message class:	Internal (DRIVE-CLiQ) communication error (12)
Reaction:	NONE
Acknowledge:	IMMEDIATELY
Cause:	Communications between the Control Unit (CU) and Power Module (PM) via the interface no longer possible. The CU may have been withdrawn or is incorrectly inserted. Fault value (r0949, interpret hexadecimal): 0 hex: - a Control Unit with external 24 V supply was withdrawn from the Power Module during operation. - with the Power Module switched off, the external 24 V supply for the Control unit was interrupted for some time. 1 hex: The Control Unit was withdrawn from the Power Module during operation, although the encoderless safe motion monitoring functions are enabled. This is not supported. After re-inserting the Control Unit in operation, communications to the Power Module no longer possible.

4 Faults and alarms

4.2 List of faults and alarms

20A hex:

The Control Unit was inserted on a Power Module, which has another code number.

20B hex:

The Control Unit was inserted on a Power Module, which although it has the same code number, has a different serial number. The Control Unit executes an automatic warm restart to accept the new calibration data.

Remedy:

For fault value = 0 and 20A hex:

Insert the Control Unit on an appropriate Power Module and continue operation. If required, carry out a POWER ON of the Control Unit.

For fault value = 1 hex:

Carry out a POWER ON of the Control Unit.

F30075 Configuration of the power unit unsuccessful

Message class: Internal (DRIVE-CLiQ) communication error (12)

Reaction: OFF2

Acknowledge: IMMEDIATELY

Cause: A communication error has occurred while configuring the power unit using the Control Unit. The cause is not clear.
Fault value (r0949, interpret decimal):

0:

The output filter initialization was unsuccessful.

1:

Activation/deactivation of the regenerative feedback functionality was unsuccessful.

Remedy:

- acknowledge the fault and continue operation.
- if the fault reoccurs, carry out a POWER ON (switch off/on).
- if required, replace the power unit.

F30080 Power unit: Current increasing too quickly

Message class: Power electronics faulted (5)

Reaction: OFF2

Acknowledge: IMMEDIATELY

Cause: The power unit has detected an excessive rate of rise in the overvoltage range.

- closed-loop control is incorrectly parameterized.
- motor has a short-circuit or fault to ground (frame).
- U/f operation: Up ramp set too low.
- U/f operation: rated current of motor much greater than that of power unit.
- power cables are not correctly connected.
- power cables exceed the maximum permissible length.
- power unit defective.

Fault value (r0949, interpret bitwise binary):

Bit 0: Phase U.

Bit 1: Phase V.

Bit 2: Phase W.

Remedy:

- check the motor data - if required, carry out commissioning.
- check the motor circuit configuration (star-delta)
- U/f operation: Increase up ramp.
- U/f operation: Check assignment of rated currents of motor and power unit.
- check the power cable connections.
- check the power cables for short-circuit or ground fault.
- check the length of the power cables.
- replace power unit.

F30081	Power unit: Switching operations too frequent
Message class:	Power electronics faulted (5)
Reaction:	OFF2
Acknowledge:	IMMEDIATELY
Cause:	The power unit has executed too many switching operations for current limitation. <ul style="list-style-type: none">- closed-loop control is incorrectly parameterized.- motor has a short-circuit or fault to ground (frame).- U/f operation: Up ramp set too low.- U/f operation: rated current of motor much greater than that of power unit.- power cables are not correctly connected.- power cables exceed the maximum permissible length.- power unit defective. Fault value (r0949, interpret bitwise binary): Bit 0: Phase U. Bit 1: Phase V. Bit 2: Phase W.
Remedy:	<ul style="list-style-type: none">- check the motor data - if required, carry out commissioning.- check the motor circuit configuration (star-delta)- U/f operation: Increase up ramp.- U/f operation: Check assignment of rated currents of motor and power unit.- check the power cable connections.- check the power cables for short-circuit or ground fault.- check the length of the power cables.- replace power unit.
<hr/>	
F30105	PU: Actual value sensing fault
Message class:	Power electronics faulted (5)
Reaction:	OFF2
Acknowledge:	IMMEDIATELY
Cause:	At least one incorrect actual value channel was detected on the Power Stack Adapter (PSA). The incorrect actual value channels are displayed in the following diagnostic parameters.
Remedy:	Evaluate the diagnostic parameters. If the actual value channel is incorrect, check the components and if required, replace.
<hr/>	
A30502	Power unit: DC link overvoltage
Message class:	DC link overvoltage (4)
Reaction:	NONE
Acknowledge:	NONE
Cause:	The power unit has detected overvoltage in the DC link on a pulse inhibit. <ul style="list-style-type: none">- device connection voltage too high.- line reactor incorrectly dimensioned. Alarm value (r0949, interpret decimal): DC link voltage [1 bit = 100 mV]. See also: r0070 (Actual DC link voltage)
Remedy:	<ul style="list-style-type: none">- check the device supply voltage (p0210).- check the dimensioning of the line reactor. See also: p0210 (Drive unit line supply voltage)
<hr/>	
F30600	SI P2: STOP A initiated
Message class:	Safety monitoring channel has identified an error (10)
Reaction:	OFF2
Acknowledge:	IMMEDIATELY (POWER ON)
Cause:	The drive-integrated "Safety Integrated" function on processor 2 has detected an error and initiated a STOP A. <ul style="list-style-type: none">- forced checking procedure of the safety shutdown path via processor 2 unsuccessful.- subsequent response to fault F30611 (defect in a monitoring channel).

Fault value (r0949, interpret decimal):

0: Stop request from processor 1.

1005: Pulses suppressed although STO not selected and there is no internal STOP A present.

1010: Pulses enabled although STO is selected or an internal STOP A is present.

1011: Internal fault for the pulse enable in the Power Module.

9999: Subsequent response to fault F30611.

Remedy:

- select Safe Torque Off and de-select again.
- carry out a POWER ON (power off/on) for all components.
- replace Power Module involved.

For fault value = 9999:

- carry out diagnostics for fault F30611.

Note:

STO: Safe Torque Off

F30611 (A)

SI P2: Defect in a monitoring channel

Message class:

Safety monitoring channel has identified an error (10)

Reaction:

NONE (OFF1, OFF2, OFF3)

Acknowledge:

IMMEDIATELY (POWER ON)

Cause:

The drive-integrated "Safety Integrated" function on processor 2 has detected a fault in the crosswise data comparison between the two monitoring channels and has initiated a STOP F.

As a consequence of this fault, fault F30600 (SI P2: STOP A initiated) is output.

Fault value (r0949, interpret decimal):

0: Stop request from processor 1.

1 ... 999:

Number of the cross-compared data that resulted in this fault. This number is also displayed in r9795.

2: SI enable safety functions (p9601, p9801). Crosswise data comparison is only carried out for the supported bits.

3: SI F-DI changeover tolerance time (p9650, p9850).

8: SI PROFIsafe address (p9610, p9810).

9: SI debounce time for STO (p9651, p9851).

1000: Watchdog timer has expired.

Within the time of approx. 5 x p9650, alternatively, the following was defined:

- Too many signal changes have occurred at the F-DI.
- Via PROFIsafe, STO was too frequently initiated (also as subsequent response).

1001, 1002: Initialization error, change timer / check timer.

2000: Status of the STO selection for both monitoring channels are different.

2001: Feedback of the safe pulse suppression on the two monitoring channels are different.

2002: Statuses of the delay timer SS1 on both monitoring channels are different (status of the timer in p9650/p9850).

2003: Status of the STO terminal on the processor 1 and processor 2 are different.

6000 ... 6999:

Error in the PROFIsafe control.

For these fault values, the failsafe control signals (failsafe values) are transferred to the safety functions.

The significance of the individual message values is described in safety fault F01611.

Remedy:

Re fault values 1 ... 999 described in "Cause":

- check the cross data comparison that resulted in a STOP F.
- carry out a POWER ON (power off/on).

For fault value = 1000:

- check the wiring of the F-DI (contact problems).
- PROFIsafe: Remove contact problems/faults at the PROFIBUS master/PROFINET controller.
- check the tolerance time F-DI changeover and if required, increase the value (p9650/p9850).

Re fault value = 1001, 1002:

- carry out a POWER ON (power off/on).

Re fault value = 2000, 2001, 2002, 2003:

- check the tolerance time F-DI changeover and if required, increase the value (p9650/p9850).
- check the wiring of the F-DI (contact problems).
- check the causes of the STO selection in r9772. When the SI Motion functions are active (p9501 = 1), STO can also be selected using these functions.

Re fault value = 6000 ... 6999:

Refer to the description of the message values in safety fault F01611.

Re fault values that are described in "Cause":

- carry out a POWER ON (power off/on).
- contact the Hotline.
- replace Control Unit.

Note:

F-DI: Failsafe Digital Input

STO: Safe Torque Off

N30620 (F, A)	SI P2: Safe Torque Off active
Message class:	Safety monitoring channel has identified an error (10)
Reaction:	NONE
Acknowledge:	NONE
Cause:	The "Safe Torque Off" (STO) function has been selected on processor 2 using the input terminal and is active. Note: This message does not result in a safety stop response.
Remedy:	Not necessary. Note: STO: Safe Torque Off

N30621 (F, A)	SI P2: Safe Stop 1 active
Message class:	Safety monitoring channel has identified an error (10)
Reaction:	NONE
Acknowledge:	NONE
Cause:	The "Safe Stop 1" function (SS1) was selected on processor 2 and is active. Note: This message does not result in a safety stop response.
Remedy:	Not necessary. Note: SI: Safety Integrated SS1: Safe Stop 1 (corresponds to Stop Category 1 acc. to EN60204)

F30625	SI P2: Sign-of-life error in safety data
Message class:	Hardware / software error (1)
Reaction:	OFF2
Acknowledge:	IMMEDIATELY (POWER ON)
Cause:	The drive-integrated "Safety Integrated" function on processor 2 has detected an error in the sign-of-life of the safety data and initiated a STOP A. <ul style="list-style-type: none">- there is a communication error between processor 1 and processor 2 or communication has failed.- a time slice overflow of the safety software has occurred. Fault value (r0949, interpret decimal): Only for internal Siemens troubleshooting.
Remedy:	<ul style="list-style-type: none">- select Safe Torque Off and de-select again.- carry out a POWER ON (power off/on).- check whether additional faults are present and if required, perform diagnostics.- check the electrical cabinet design and cable routing for EMC compliance

F30630	SI P2: Brake control error
Message class:	Safety monitoring channel has identified an error (10)
Reaction:	OFF2
Acknowledge:	IMMEDIATELY (POWER ON)
Cause:	<p>The "Safety Integrated" function integrated in the drive on processor 2 (P2) has detected a brake control error and initiated a STOP A.</p> <ul style="list-style-type: none">- motor cable is not shielded correctly.- defect in the Safe Brake Module, in the Power Module or in the Control Unit. <p>Fault value (r0949, interpret decimal):</p> <p>10: Fault in "open holding brake" operation.</p> <ul style="list-style-type: none">- Parameter p1278 incorrectly set.- No brake connected or wire breakage (check whether brake releases for p1278 = 1 and p9602/p9802 = 0 (SBC deactivated)).- Ground fault in brake cable. <p>30: Fault in "close holding brake" operation.</p> <ul style="list-style-type: none">- No brake connected or wire breakage (check whether brake releases for p1278 = 1 and p9602/p9802 = 0 (SBC deactivated)).- Short-circuit in brake winding. <p>40: Fault in "brake closed" state.</p> <p>60, 70: Fault in the brake control circuit of processor 1 or communication error between processor 1 and processor 2 (brake control diagnostics).</p>
Remedy:	<ul style="list-style-type: none">- check parameter p1278 (for SBC, only p1278 = 0 is permissible).- select Safe Torque Off and de-select again.- check the motor holding brake connection.- check the function of the motor holding brake.- check the Safe Brake Module connection.- check that the electrical cabinet design and cable routing are in compliance with EMC regulations (e.g. shield of the motor cable and brake conductors are connected with the shield connecting plate and the motor connectors are tightly screwed to the housing).- replace the Safe Brake Module.- replace Power Module.- replace the Control Unit. <p>Note: SBC: Safe Brake Control SI: Safety Integrated</p>

F30649	SI P2: Internal software error
Message class:	Hardware / software error (1)
Reaction:	OFF2
Acknowledge:	IMMEDIATELY (POWER ON)
Cause:	<p>An internal error in the Safety Integrated software on processor 2 has occurred.</p> <p>Note: This fault results in a STOP A that cannot be acknowledged.</p> <p>Fault value (r0949, interpret hexadecimal): Only for internal Siemens troubleshooting.</p>
Remedy:	<ul style="list-style-type: none">- carry out a POWER ON (power off/on).- re-commission the "Safety Integrated" function and carry out a POWER ON.- contact the Hotline.- replace Control Unit.

F30650	SI P2: Acceptance test required
Message class:	Error in the parameterization / configuration / commissioning procedure (18)
Reaction:	OFF2
Acknowledge:	IMMEDIATELY (POWER ON)
Cause:	The drive-integrated "Safety Integrated" function on processor 2 requires an acceptance test. Note: This fault results in a STOP A that can be acknowledged. Fault value (r0949, interpret decimal): 130: Safety parameters for processor 2 not available. Note: This fault value is always output when Safety Integrated is commissioned for the first time. 1000: Reference and actual checksum on processor 2 are not identical (booting). - at least one checksum-checked piece of data is defective. - Safety parameters set offline and loaded into the Control Unit. 2000: Reference and actual checksum on processor 2 are not identical (commissioning mode). - reference checksum incorrectly entered on processor 2 (p9899 not equal to r9898). 2003: Acceptance test is required as a safety parameter has been changed. 9999: Subsequent response of another safety-related fault that occurred when booting that requires an acceptance test.
Remedy:	For fault value = 130: - carry out safety commissioning routine. For fault value = 1000: - again carry out safety commissioning routine. - replace the memory card or Control Unit. - Using STARTER, activate the safety parameters for the drive involved (change settings, copy parameters, activate settings). For fault value = 2000: - check the safety parameters on processor 2 and adapt the reference checksum (p9899). For fault value = 2003: - Carry out an acceptance test and generate an acceptance report. For fault value = 9999: - carry out diagnostics for the other safety-related fault that is present. See also: p9799 (SI setpoint checksum SI parameters (processor 1)), p9899 (SI setpoint checksum SI parameters (processor 2))
F30651	SI P2: Synchronization with Control Unit unsuccessful
Message class:	Hardware / software error (1)
Reaction:	OFF2
Acknowledge:	IMMEDIATELY (POWER ON)
Cause:	The drive-integrated "Safety Integrated" function requires synchronization of the safety time slices on processor 1 and processor 2. This synchronization was unsuccessful. Note: This fault results in a STOP A that cannot be acknowledged. Fault value (r0949, interpret decimal): Only for internal Siemens troubleshooting.
Remedy:	- carry out a POWER ON (power off/on).
F30655	SI P2: Align monitoring functions
Message class:	Error in the parameterization / configuration / commissioning procedure (18)
Reaction:	OFF2
Acknowledge:	IMMEDIATELY (POWER ON)
Cause:	An error has occurred when aligning the Safety Integrated monitoring functions on processor 1 and processor 2. No common set of supported SI monitoring functions was able to be determined. - there is a communication error between processor 1 and processor 2 or communication has failed.

4 Faults and alarms

4.2 List of faults and alarms

Note:

This fault results in a STOP A that cannot be acknowledged.

Fault value (r0949, interpret hexadecimal):

Only for internal Siemens troubleshooting.

Remedy:

- carry out a POWER ON (power off/on).
- check the electrical cabinet design and cable routing for EMC compliance

F30656

SI P2: Parameter processor 2 parameter error

Message class:

Hardware / software error (1)

Reaction:

OFF2

Acknowledge:

IMMEDIATELY (POWER ON)

Cause:

When accessing the Safety Integrated parameters for the processor 2 in the non-volatile memory, an error has occurred.

Note:

This fault results in a STOP A that can be acknowledged.

Fault value (r0949, interpret decimal):

129: Safety parameters for processor 2 corrupted.

131: Internal software error on processor 1.

255: Internal software error on processor 2.

Remedy:

- re-commission the safety functions.
 - replace the memory card or Control Unit.
- For fault value = 129:
- activate the safety commissioning mode (p0010 = 95).
 - start the copy function for SI parameters (p9700 = D0 hex).
 - acknowledge data change (p9701 = DC hex).
 - exit the safety commissioning mode (p0010 = 0).
 - save all parameters (p0971 = 1 or "copy RAM to ROM").
 - carry out a POWER ON (power off/on) for the Control Unit.

F30659

SI P2: Write request for parameter rejected

Message class:

Error in the parameterization / configuration / commissioning procedure (18)

Reaction:

OFF2

Acknowledge:

IMMEDIATELY (POWER ON)

Cause:

The write request for one or several Safety Integrated parameters on processor 2 was rejected.

Note:

This fault does not result in a safety stop response.

Fault value (r0949, interpret decimal):

10: An attempt was made to enable the STO function although this cannot be supported.

15: An attempt was made to enable the motion monitoring functions integrated in the drive although these cannot be supported.

16: An attempt was made to enable the PROFIsafe communications although this cannot be supported.

18: An attempt was made to enable the PROFIsafe function for Basic Functions although this cannot be supported.

20: An attempt was made to simultaneously enable both the drive-integrated motion monitoring functions via integrated F-DI and STO via terminals, even though these cannot be supported at the same time.

See also: r9771 (SI common functions (processor 1)), r9871 (SI common functions (processor 2))

Remedy:

Re fault value = 10, 15, 16, 18:

- check whether there are faults in the safety function alignment (F01655, F30655) and if required, carry out diagnostics for the faults involved.
- use a Control Unit that supports the required function.

Note:

STO: Safe Torque Off

F30662	Error in internal communications
Message class:	Hardware / software error (1)
Reaction:	OFF2
Acknowledge:	POWER ON
Cause:	A module-internal communication error has occurred. Fault value (r0949, interpret hexadecimal): Only for internal Siemens troubleshooting.
Remedy:	- carry out a POWER ON (power off/on). - upgrade firmware to later version. - contact the Hotline.

F30664	Error while booting
Message class:	Hardware / software error (1)
Reaction:	OFF2
Acknowledge:	POWER ON
Cause:	An error has occurred during booting. Fault value (r0949, interpret hexadecimal): Only for internal Siemens troubleshooting.
Remedy:	- carry out a POWER ON (power off/on). - upgrade firmware to later version. - contact the Hotline.

F30665	SI P2: System is defective
Message class:	Hardware / software error (1)
Reaction:	OFF2
Acknowledge:	IMMEDIATELY
Cause:	A system defect was detected before the last boot or in the actual one. The system might have been rebooted (reset). Fault value (r0949, interpret hexadecimal): 200000 hex, 400000 hex: - Fault in the actual booting/operation. Additional values: - defect before the last time that the system booted.
Remedy:	- carry out a POWER ON (power off/on). - upgrade firmware to later version. - contact the Hotline. Re fault value = 400000 hex: - ensure that the Control Unit is connected to the Power Module.

A30666 (F)	SI Motion P2: Steady-state (static) 1 signal at the F-DI for safe acknowledgment
Message class:	Error in the parameterization / configuration / commissioning procedure (18)
Reaction:	NONE
Acknowledge:	NONE
Cause:	A logical 1 signal is present at the F-DI configured in p10106 for more than 10 seconds. If, at the F-DI no acknowledgment was performed for safe acknowledgment, then a steady-state logical and 0 signal must be present. This avoids unintentional safety-relevant acknowledgement (or the "Internal Event Acknowledge" signal) if a wire breaks or one of the two digital inputs bounces.
Remedy:	Set the fail-safe digital input (F-DI) to a logical 0 signal (p10106). Note: F-DI: Failsafe Digital Input

F30680	SI Motion P2: Checksum error safety monitoring functions
Message class:	Safety monitoring channel has identified an error (10)
Reaction:	OFF2
Acknowledge:	IMMEDIATELY (POWER ON)
Cause:	The actual checksum calculated by processor 2 and entered in r9398 over the safety-relevant parameters does not match the reference checksum saved in p9399 at the last machine acceptance. Safety-relevant parameters have been changed or a fault is present. Note: This fault results in a STOP A that can be acknowledged. Fault value (r0949, interpret decimal): 0: Checksum error for SI parameters for motion monitoring. 1: Checksum error for SI parameters for component assignment.
Remedy:	- check the safety-relevant parameters and if required, correct. - set the reference checksum to the actual checksum. - execute the function "Copy RAM to ROM". - perform a POWER ON if safety parameters requiring a POWER ON have been modified. - carry out an acceptance test.

F30681	SI Motion P1: Incorrect parameter value
Message class:	Error in the parameterization / configuration / commissioning procedure (18)
Reaction:	OFF2
Acknowledge:	IMMEDIATELY (POWER ON)
Cause:	The parameter cannot be parameterized with this value. Note: This message does not result in a safety stop response. Fault value (r0949, interpret decimal): yyyyxxxx dec: yyyy = supplementary information, xxxx = parameter yyyy = 0: No information available. xxxx = 9301: It is not permissible to enable the function "n < nx hysteresis and filtering" (p9301.16) in conjunction with the function "Extended functions without selection" (p9801.5). xxxx = 9385: For Safety without encoder and synchronous motor, p9385 must be set to 4.
Remedy:	Correct the parameter value. Note: For different values in the two monitoring channels, start the copy function for SI parameters on the drive (p9700 = 57 hex).

F30682	SI Motion P2: Monitoring function not supported
Message class:	Error in the parameterization / configuration / commissioning procedure (18)
Reaction:	OFF2
Acknowledge:	IMMEDIATELY (POWER ON)
Cause:	The monitoring function enabled in p9301, p9501, p9601 or p9801 is not supported in this firmware version. Note: This message does not result in a safety stop response. Fault value (r0949, interpret decimal): 1: Monitoring function SLP not supported (p9301.1). 2: Monitoring function SCA not supported (p9301.7 and p9301.8 ... 15). 3: Monitoring function SLS override not supported (p9301.5). 4: Monitoring function external ESR activation not supported (p9301.4). 5: Monitoring function F-DI in PROFIsafe not supported (p9301.30). 6: Enable actual value synchronization not supported (p9301.3).

9: Monitoring function not supported by the firmware or enable bit not used.

24: Monitoring function SDI not supported.

Remedy:

Deselect the monitoring function involved.

Note:

SCA: Safe Cam

SLP: Safely-Limited Position

SLS: Safely-Limited Speed

SDI: Safe Direction (safe motion direction)

See also: p9301, p9501, p9601, p9801, r9871

F30683

SI Motion P2: SLS enable missing

Message class: Error in the parameterization / configuration / commissioning procedure (18)

Reaction: OFF2

Acknowledge: IMMEDIATELY (POWER ON)

Cause: The safety-relevant function "SLS" is not enabled in p9301 although other safety-relevant monitoring functions are enabled.

Note:

This message does not result in a safety stop response.

Remedy: Enable the function "SLS" (p9301.0) and carry out a POWER ON.

Note:

Save the changes before POWER ON (copy from RAM to ROM).

SLS: Safely-Limited Speed

See also: p9301 (SI Motion enable safety functions (processor 2))

F30692

SI Motion P2: Parameter value not permitted for encoderless

Message class: Error in the parameterization / configuration / commissioning procedure (18)

Reaction: OFF2

Acknowledge: IMMEDIATELY (POWER ON)

Cause: For encoderless motion monitoring functions, the parameter cannot be parameterized with this value.

Note:

This message does not result in a safety stop response.

Fault value (r0949, interpret decimal):

Parameter number with the incorrect value.

See also: p9301 (SI Motion enable safety functions (processor 2))

Remedy: Correct the parameter specified in the fault value.

See also: p9301 (SI Motion enable safety functions (processor 2)), p9501 (SI Motion enable safety functions (processor 1))

A30693 (F)

SI P2: Safety parameter settings changed, POWER ON required

Message class: Error in the parameterization / configuration / commissioning procedure (18)

Reaction: NONE

Acknowledge: NONE

Cause: Safety parameters have been changed; these will only take effect following a POWER ON.

Notice:

All changed parameters of the safety motion monitoring functions will only take effect following a POWER ON.

Alarm value (r2124, interpret decimal):

Parameter number of the safety parameter which has changed, necessitating a POWER ON.

Remedy:

- execute the function "Copy RAM to ROM".

- carry out a POWER ON (power off/on).

C30700 SI Motion P2: STOP A initiated

Message class:	Safety monitoring channel has identified an error (10)
Reaction:	OFF2
Acknowledge:	IMMEDIATELY (POWER ON)
Cause:	The drive is stopped via a STOP A (pulses are suppressed via the safety shutdown path of processor 1). Possible causes: <ul style="list-style-type: none">- stop request from processor 1.- Pulses not suppressed after test stop selection.- subsequent response to the message C30706 "SI Motion P2: SAM/SBR limit exceeded".- subsequent response to the message C30714 "SI Motion P2: Safely-Limited Speed exceeded".- subsequent response to the message C30701 "SI Motion P2: STOP B initiated".
Remedy:	<ul style="list-style-type: none">- remove the cause of the fault on the monitoring channel of processor 1.- check the shutdown path of processor 2.- carry out a diagnostics routine for message C30706.- carry out a diagnostics routine for message C30714.- carry out a diagnostics routine for message C30701.- replace Power Module.- replace Control Unit. This message can be acknowledged using "Acknowledge internal event". SAM: Safe Acceleration Monitor (safe acceleration monitoring) SBR: Safe Brake Ramp (safe brake ramp monitoring)

C30701 SI Motion P2: STOP B initiated

Message class:	Safety monitoring channel has identified an error (10)
Reaction:	NONE (OFF3)
Acknowledge:	IMMEDIATELY (POWER ON)
Cause:	The drive is stopped via a STOP B (braking along the OFF3 deceleration ramp). As a result of this fault, after the speed threshold parameterized in p9360 is fallen below, message C30700 "STOP A initiated" is output. Possible causes: <ul style="list-style-type: none">- stop request from processor 1.- subsequent response to the message C30714 "SI Motion P2: Safely-Limited Speed exceeded".- subsequent response to the message C30711 "SI Motion P2: Defect in a monitoring channel".- subsequent response to the message C30707 "SI Motion P2: tolerance for safe operating stop exceeded".
Remedy:	<ul style="list-style-type: none">- remove the cause of the fault on the monitoring channel of processor 1.- carry out a diagnostics routine for message C30714.- carry out a diagnostics routine for message C30711.- carry out a diagnostics routine for message C30707. Note: This message can be acknowledged using "Acknowledge internal event".

C30706 SI Motion P2: SAM/SBR limit exceeded

Message class:	Safety monitoring channel has identified an error (10)
Reaction:	NONE
Acknowledge:	IMMEDIATELY (POWER ON)
Cause:	Motion monitoring functions with set acceleration monitoring (SAM, p9306 = 3): <ul style="list-style-type: none">- after initiating STOP B (SS1) the velocity has exceeded the selected tolerance. Motion monitoring functions with set brake ramp monitoring (SBR, p9306 = 1): <ul style="list-style-type: none">- after initiating STOP B (SS1) or SLS changeover to the lower speed stage, the speed has exceeded the selected tolerance. The drive is shut down by the message C30700 "SI Motion P2: STOP A initiated".
Remedy:	Check the braking behavior and, if necessary, adapt the parameterization of the parameter settings of the "SAM" or the "SBR" function. This message can be acknowledged without a POWER ON using "Acknowledge internal event". SAM: Safe Acceleration Monitor (safe acceleration monitoring)

SBR: Safe Brake Ramp (safe brake ramp monitoring)

SI: Safety Integrated

See also: p9348 (SI Motion SAM actual velocity tolerance (processor 2)), p9381 (SI Motion brake ramp reference value (processor 2)), p9382 (SI Motion brake ramp delay time (processor 2)), p9383 (SI Motion brake ramp monitoring time (processor 2)), p9548 (SI Motion SAM actual velocity tolerance (processor 1))

C30711	SI Motion P2: Defect in a monitoring channel
Message class:	Safety monitoring channel has identified an error (10)
Reaction:	NONE
Acknowledge:	IMMEDIATELY (POWER ON)
Cause:	<p>When cross-comparing the two monitoring channels, the drive detected a difference between the input data or results of the monitoring functions and initiated a STOP F. One of the monitoring functions no longer reliably functions - i.e. safe operation is no longer possible.</p> <p>If at least one monitoring function is active, then message C30701 "SI Motion: STOP B initiated" is output.</p> <p>The following message values may also occur in the following cases if the cause that is explicitly mentioned does not apply:</p> <ul style="list-style-type: none"> - synchronization error between processor 1 and processor 2. <p>Message value (r2124, interpret decimal):</p> <p>0 ... 999:</p> <p>Number of the cross-compared data that resulted in this message.</p> <p>The significance of the individual message values is described in safety message C01711.</p> <p>1000: Watchdog timer has expired. Too many signal changes have occurred at the F-DI.</p> <p>1001: Initialization error of watchdog timer.</p> <p>1011: Acceptance test status between the monitoring channels differ.</p> <p>1020: Cyc. communication failure between the monit. cycles.</p> <p>1040: Pulses suppressed with active encoderless monitoring functions.</p> <p>1041: Current absolute value too low (encoderless)</p> <p>1042: Current/voltage plausibility error</p> <p>1043: Too many acceleration phases</p> <p>1044: Actual current values plausibility error.</p> <p>See also: r9725 (SI Motion diagnostics STOP F)</p>
Remedy:	<p>Re message value = 1040:</p> <ul style="list-style-type: none"> - de-select encoderless monitoring functions, select and de-select STO. - if monitoring function is active, issue "SLS" pulse enable within 5 s of de-selecting STO. <p>Re other message values:</p> <ul style="list-style-type: none"> - the significance of the individual message values is described in safety message C01711. <p>Note:</p> <p>This message can be acknowledged using "Acknowledge internal event".</p>

C30712	SI Motion P2: Defect in F-IO processing
Message class:	Safety monitoring channel has identified an error (10)
Reaction:	NONE
Acknowledge:	IMMEDIATELY (POWER ON)
Cause:	<p>When cross checking and comparing the two monitoring channels, the drive detected a difference between parameters or results of the F-IO processing and initiated a STOP F. One of the monitoring functions no longer reliably functions - i.e. safe operation is no longer possible.</p> <p>The safety message C30711 with message value 0 is also displayed due to initiation of STOP F.</p> <p>If at least one monitoring function is active, then safety message C30701 "SI Motion: STOP B initiated" is output.</p> <p>Message value (r2124, interpret decimal):</p> <p>Number of the cross-compared data that resulted in this message.</p> <p>See safety message C01712 for a description of the message values.</p>
Remedy:	<ul style="list-style-type: none"> - check parameterization in the parameters involved and correct if required. - ensure equality by copying the SI data to processor 2 and then carry out an acceptance test. <p>Note:</p> <p>This message can be acknowledged via F-DI or PROFIsafe.</p>

C30714	SI Motion P2: Safely-Limited Speed exceeded
Message class:	Safety monitoring channel has identified an error (10)
Reaction:	NONE
Acknowledge:	IMMEDIATELY (POWER ON)
Cause:	The drive had moved faster than that specified by the velocity limit value (p9331). The drive is stopped as a result of the configured stop response (p9363). Message value (r2124, interpret decimal): 100: SLS1 exceeded. 200: SLS2 exceeded. 300: SLS3 exceeded. 400: SLS4 exceeded.
Remedy:	- check the traversing/motion program in the control. - check the limits for "SLS" function and if required, adapt (p9331). Note: This message can be acknowledged using "Acknowledge internal event". SLS: Safely-Limited Speed See also: p9331 (SI Motion SLS limit values (processor 2)), p9363 (SI Motion SLS stop response (processor 2))

C30716	SI Motion P2: Tolerance for safe motion direction exceeded
Message class:	Safety monitoring channel has identified an error (10)
Reaction:	NONE
Acknowledge:	IMMEDIATELY (POWER ON)
Cause:	The tolerance for the "safe motion direction" function was exceeded. The drive is stopped as a result of the configured stop response (p9366). Message value (r2124, interpret decimal): 0: Tolerance for the "safe motion direction positive" function exceeded. 1: Tolerance for the "safe motion direction negative" function exceeded.
Remedy:	- check the traversing/motion program in the control. - check the tolerance for "SDI" function and if required, adapt (p9364). This message can be acknowledged as follows: - Deselect the "SDI" function and select again. - carry out safe acknowledgment via "Acknowledgment internal event". Note: SDI: Safe Direction (safe motion direction) SI: Safety Integrated See also: p9364 (SI Motion SDI tolerance (processor 2)), p9365 (SI Motion SDI delay time (processor 2)), p9366 (SI Motion SDI stop response (processor 2))

C30770	SI Motion P2: Discrepancy error affecting the failsafe inputs
Message class:	Safety monitoring channel has identified an error (10)
Reaction:	NONE
Acknowledge:	IMMEDIATELY (POWER ON)
Cause:	The fail-safe digital inputs (F-DI) show a different state longer than that parameterized in p10002 / p10102. Fault value (r0949, interpret binary): Bit 0: Discrepancy error for F-DI 0 Bit 1: Discrepancy error for F-DI 1 ...
Remedy:	Note: If several discrepancy errors occur consecutively, then this message is only signaled for the first error that occurs. - check the wiring of the F-DI (contact problems). Note: This message can be acknowledged via F-DI or PROFIsafe. Discrepancy errors of an F-DI can only be completely acknowledged if safe acknowledgement was carried out once the cause of the error was resolved (p10006 or acknowledgment via PROFIsafe). As long as safety acknowledgement was not carried out, the corresponding F-DI stays in the safe state internally.

For cyclic switching operations at the F-DI, it may be necessary to adapt the discrepancy time to the switching frequency.

If the period of a cyclic switching pulse corresponds to twice the value of p10002, then the following formulas should be checked:

- $p10002 < (tp / 2) - td$ (discrepancy time must be less than half the period minus the actual discrepancy time)
- $p10002 \geq p9500$ (discrepancy time must be no less than p9500)
- $p10002 > td$ (discrepancy time must be greater than the switch discrepancy time which may actually apply)

td = possible actual discrepancy time (in ms) that can occur with a switching operation. This must correspond to at least 1 SI monitoring cycle (see p9500).

tp = period for a switching operation in ms.

When debounce p10017 is active, the discrepancy time is directly specified by the debounce time.

If the period of a cyclic switching pulse corresponds to twice the debounce time, then the following formulas should be checked.

- $p10002 < p10017 + 1 \text{ ms} - td$
- $p10002 > td$
- $p10002 \geq p9500$

Example:

For a 12 ms SI monitoring cycle and a switching frequency of 110 ms (p10017 = 0), the maximum discrepancy time which can be set is as follows:

$$p10002 \leq (110/2 \text{ ms}) - 12 \text{ ms} = 43 \text{ ms}$$

Rounded-off, p10002 \leq 36 ms is obtained (since the discrepancy time can only be accepted as a whole SI monitoring cycle, the value will need to be rounded up or down to a whole SI monitoring cycle if the result is not an exact multiple of an SI monitoring cycle).

Note:

F-DI: Failsafe Digital Input

A30772	SI Motion P2: Test stop failsafe inputs/outputs active
Message class:	Safety monitoring channel has identified an error (10)
Reaction:	NONE
Acknowledge:	NONE
Cause:	The test stop for the fail-safe digital inputs (F-DI) and/or fail-safe digital outputs (F-DO) is presently being performed. Note: F-DI: Failsafe Digital Input F-DO: Failsafe Digital Output
Remedy:	The alarm disappears automatically after successfully ending or canceling (when a fault condition occurs) the test stop.

F30773	SI Motion P2: Test stop error
Message class:	Safety monitoring channel has identified an error (10)
Reaction:	NONE
Acknowledge:	IMMEDIATELY (POWER ON)
Cause:	A fault has occurred on the P2 side during the test stop for the fail-safe outputs. Fault value (r0949, interpret hexadecimal): RRRVWXYZ hex: R: Reserved. V: Actual state of the DO channel concerned (see X) on P1 (corresponds to the states read back from the hardware, bit 0 = DO 0, bit 1 = DO 1, etc.). W: Required state of the DO channel concerned (see X, bit 0 = DO 0, bit 1 = DO 1, etc.). X: DO channels involved, which indicate an error (bit 0 = DO 0, bit 1 = DO 1, etc.). Y: Reason for the test stop fault. Z: State of the test stop in which the fault has occurred.
	Y: Reason for the test stop fault Y = 1: P2 side in incorrect test stop state (internal fault). Y = 2: Expected states of the DOs were not fulfilled (CU240D-2: readback via DI 5 / CU250S-2 readback via DI 6). Y = 3: Incorrect timer state on P2 side (internal fault).

4 Faults and alarms

4.2 List of faults and alarms

Y = 4: Expected states of the diag DOs were not fulfilled (CU240D-2: internal readback on P1 channel / CU250S-2 readback via DI 6).

Y = 5: Expected states of the second diag DOs were not fulfilled (CU240D-2: internal readback on P2 channel).

X and V indicate the DI or Diag-DO state dependent upon the reason for the fault (2, 4 or 5).

In the event of multiple test stop faults, the first one that occurred is shown.

Z: Test stop state and associated test actions

Z = 0 ... 3: Synchronization phase of test stop between P1 and P2 no switching operations

Z = 4: DO + OFF and DO - OFF

Z = 5: Check to see if states are as expected

Z = 6: DO + ON and DO - ON

Z = 7: Check to see if states are as expected

Z = 8: DO + OFF and DO - ON

Z = 9: Check to see if states are as expected

Z = 10: DO + ON and DO - OFF

Z = 11: Check to see if states are as expected

Z = 12: DO + OFF and DO - OFF

Z = 13: Check to see if states are as expected

Z = 14: End of test stop

Diag expected states in table format:

Test stop state: Expectation Mode 1 / Mode 2 / Mode 3 / Mode 4

5: 0/-/-1

7: 0/-/-0

9: 0/-/-0

11: 1/-/-1

13: 0/-/-1

Second diag expected states in table format:

Test stop state: Expectation Mode 1 / Mode 2 / Mode 3 / Mode 4

5: -/-/-1

7: -/-/-0

9: -/-/-1

11: -/-/-0

13: -/-/-1

DI expected states in table format:

Test stop state: Expectation Mode 1 / Mode 2 / Mode 3 / Mode 4

5: -/1/1/-

7: -/0/0/-

9: -/0/1/-

11: -/0/1/-

13: -/1/1/-

Example:

Fault F01773 (P1) is signaled with fault value = 0001_0127 and fault F30773 (P2) is signaled with fault value 0000_0127.

This means that in state 7 (Z = 7) the state of the external readback signal was not set correctly (Y = 2) after DO-0 (X = 1) was switched to ON/ON.

Fault value 0001_0127 indicates that 0 was expected (W = 0) and 1 (V = 1) was read back from the hardware.

Fault value 0000_0127 on the P2 indicates that the states were as expected.

In the case of fault F30773, W and V are always identical; a value of 0 always means that 0 was expected at the readback input but was not present on the other channel (P2).

Remedy:

Check the wiring of the F-DOs and restart the test stop.

Note:

The fault is withdrawn if the test stop is successfully completed.

In the event of multiple test stop faults, the first one that occurred is shown.

Once the test stop has been restarted the next queued test stop fault will be signaled (if there is one).

A30788	Automatic test stop: wait for STO deselection via SMM
Message class:	Safety monitoring channel has identified an error (10)
Reaction:	NONE
Acknowledge:	NONE
Cause:	The STO function is selected via Safety Extended Functions or a safety message is present, which results in STO. The automatic test stop was not able to be carried out since the power up. The automatic test stop is performed after deselecting STO.
Remedy:	- Deselect STO via Safety Extended Functions. - Remove the cause of the safety message and acknowledge the fault.

C30798	SI Motion P2: Test stop running
Message class:	Safety monitoring channel has identified an error (10)
Reaction:	NONE
Acknowledge:	IMMEDIATELY (POWER ON)
Cause:	The test stop is active.
Remedy:	Not necessary. The message is withdrawn when the test stop is finished.

C30799	SI Motion P2: Acceptance test mode active
Message class:	Safety monitoring channel has identified an error (10)
Reaction:	NONE
Acknowledge:	IMMEDIATELY (POWER ON)
Cause:	The acceptance test mode is active.
Remedy:	Not necessary. The message is withdrawn when exiting the acceptance test mode.

N30800 (F)	Power unit: Group signal
Message class:	Power electronics faulted (5)
Reaction:	OFF2
Acknowledge:	NONE
Cause:	The power unit has detected at least one fault.
Remedy:	Evaluate the other messages that are presently available.

F30802	Power unit: Time slice overflow
Message class:	Hardware / software error (1)
Reaction:	OFF2
Acknowledge:	IMMEDIATELY
Cause:	A time slice overflow has occurred. Fault value (r0949, interpret decimal): xx: Time slice number xx
Remedy:	- carry out a POWER ON (power off/on) for all components. - upgrade firmware to later version. - contact the Hotline.

F30804 (N, A)	Power unit: CRC
Message class:	Hardware / software error (1)
Reaction:	OFF2 (OFF1, OFF3)
Acknowledge:	IMMEDIATELY
Cause:	A CRC error has occurred for the power unit.
Remedy:	- carry out a POWER ON (power off/on) for all components. - upgrade firmware to later version. - contact the Hotline.

4 Faults and alarms

4.2 List of faults and alarms

F30805 Power unit: EEPROM checksum error

Message class: Hardware / software error (1)
Reaction: OFF2
Acknowledge: IMMEDIATELY
Cause: Internal parameter data is corrupted.
Fault value (r0949, interpret hexadecimal):
01: EEPROM access error.
02: Too many blocks in the EEPROM.
Remedy: Replace the module.

F30809 Power unit: Switching information not valid

Message class: Hardware / software error (1)
Reaction: OFF2
Acknowledge: IMMEDIATELY
Cause: For 3P gating unit, the following applies:
The last switching status word in the setpoint telegram is identified by the end ID. Such an end ID was not found.
Remedy:
- carry out a POWER ON (power off/on) for all components.
- upgrade firmware to later version.
- contact the Hotline.

A30810 (F) Power unit: Watchdog timer

Message class: Hardware / software error (1)
Reaction: NONE
Acknowledge: NONE
Cause: When booting it was detected that the cause of the previous reset was an SAC watchdog timer overflow.
Remedy:
- carry out a POWER ON (power off/on) for all components.
- upgrade firmware to later version.
- contact the Hotline.

F30850 Power unit: Internal software error

Message class: Hardware / software error (1)
Reaction: OFF1 (NONE, OFF2, OFF3)
Acknowledge: POWER ON
Cause: An internal software error has occurred in the power unit.
Fault value (r0949, interpret decimal):
Only for internal Siemens troubleshooting.
Remedy:
- replace power unit.
- if required, upgrade the firmware in the power unit.
- contact the Hotline.

F30895 PU DRIVE-CLiQ (CU): Alternating cyclic data transfer error

Message class: Internal (DRIVE-CLiQ) communication error (12)
Reaction: OFF2 (IASC/DCBRK, NONE, OFF1, OFF3, STOP2)
Acknowledge: IMMEDIATELY
Cause: Communication error to the power unit.
Remedy: Carry out a POWER ON.
See also: p9915 (DRIVE-CLiQ data transfer error shutdown threshold master)

F30903 Power unit: I2C bus error occurred

Message class: Hardware / software error (1)
Reaction: OFF2 (IASC/DCBRK, NONE, OFF1, OFF3, STOP2)
Acknowledge: IMMEDIATELY
Cause: Communications error with an EEPROM or A/D converter.
Fault value (r0949, interpret hexadecimal):
80000000 hex:
- internal software error.
00000001 hex ... 0000FFFF hex:
- module fault.
Remedy: Re fault value = 80000000 hex:
- upgrade firmware to later version.
Re fault value = 00000001 hex ... 0000FFFF hex:
- replace the module.

A30920 (F) Temperature sensor fault

Message class: Power electronics faulted (5)
Reaction: NONE
Acknowledge: NONE
Cause: When evaluating the temperature sensor, an error occurred.
Alarm value (r2124, interpret decimal):
1: Wire breakage or sensor not connected (KTY: R > 2120 Ohm).
2: Measured resistance too low (PTC: R < 20 Ohm, KTY: R < 50 Ohm).
Remedy: - make sure that the sensor is connected correctly.
- replace the sensor.

F30950 Power unit: Internal software error

Message class: Hardware / software error (1)
Reaction: OFF2
Acknowledge: POWER ON
Cause: An internal software error has occurred.
Fault value (r0949, interpret decimal):
Information about the fault source.
Only for internal Siemens troubleshooting.
Remedy: - If necessary, upgrade the firmware in the power unit to a later version.
- contact the Hotline.

A30999 (F, N) Power unit: Unknown alarm

Message class: Power electronics faulted (5)
Reaction: NONE
Acknowledge: NONE
Cause: An alarm occurred on the power unit that cannot be interpreted by the Control Unit firmware.
This can occur if the firmware on this component is more recent than the firmware on the Control Unit.
Alarm value (r2124, interpret decimal):
Alarm number.
Note:
If required, the significance of this new alarm can be read about in a more recent description of the Control Unit.
Remedy: - replace the firmware on the power unit by an older firmware version (r0128).
- upgrade the firmware on the Control Unit (r0018).

F31100 (N, A)	Encoder 1: Zero mark distance error
Message class:	Position/speed actual value incorrect or not available (11)
Reaction:	ENCODER (IASC/DCBRK, NONE, OFF1, OFF2, OFF3, STOP2)
Acknowledge:	PULSE INHIBIT
Cause:	<p>The measured zero mark distance does not correspond to the parameterized zero mark distance.</p> <p>For distance-coded encoders, the zero mark distance is determined from zero marks detected pairs. This means that if a zero mark is missing, depending on the pair generation, this cannot result in a fault and also has no effect in the system.</p> <p>The zero mark distance for the zero mark monitoring is set in p0425 (rotary encoder) or p0424 (linear encoder).</p> <p>Fault value (r0949, interpret decimal):</p> <p>Last measured zero mark distance in increments (4 increments = 1 encoder pulse).</p> <p>The sign designates the direction of motion when detecting the zero mark distance.</p> <p>See also: p0491 (Motor encoder fault response ENCODER)</p>
Remedy:	<ul style="list-style-type: none">- check that the encoder cables are routed in compliance with EMC.- check the plug connections.- check the encoder type (encoder with equidistant zero marks).- adapt the parameter for the distance between zero marks (p0424, p0425).- if message output above speed threshold, reduce filter time if necessary (p0438).- replace the encoder or encoder cable.
<hr/>	
F31101 (N, A)	Encoder 1: Zero mark failed
Message class:	Position/speed actual value incorrect or not available (11)
Reaction:	ENCODER (IASC/DCBRK, NONE, OFF1, OFF2, OFF3, STOP2)
Acknowledge:	PULSE INHIBIT
Cause:	<p>The 1.5 x parameterized zero mark distance was exceeded.</p> <p>The zero mark distance for the zero mark monitoring is set in p0425 (rotary encoder) or p0424 (linear encoder).</p> <p>Fault value (r0949, interpret decimal):</p> <p>Number of increments after POWER ON or since the last zero mark that was detected (4 increments = 1 encoder pulse).</p> <p>See also: p0491 (Motor encoder fault response ENCODER)</p>
Remedy:	<ul style="list-style-type: none">- check that the encoder cables are routed in compliance with EMC.- check the plug connections.- check the encoder type (encoder with equidistant zero marks).- adapt the parameter for the clearance between zero marks (p0425).- if message output above speed threshold, reduce filter time if necessary (p0438).- when p0437.1 is active, check p4686.- replace the encoder or encoder cable.
<hr/>	
F31103 (N, A)	Encoder 1: Amplitude error track R
Message class:	Position/speed actual value incorrect or not available (11)
Reaction:	ENCODER (IASC/DCBRK, NONE)
Acknowledge:	PULSE INHIBIT
Cause:	<p>The amplitude of the reference track signal (track R) does not lie within the tolerance bandwidth for encoder 1.</p> <p>The fault can be initiated when the unipolar voltage level is exceeded (RP/RN) or if the differential amplitude is undershot.</p> <p>Fault value (r0949, interpret hexadecimal):</p> <p>yyyyxxxx hex: yyyy = 0, xxxx = Signal level, track R (16 bits with sign)</p> <p>The response thresholds of the unipolar signal levels of the encoder are between < 1400 mV and > 3500 mV.</p> <p>The response threshold for the differential signal level of the encoder is < -1600 mV.</p> <p>A signal level of 500 mV peak value corresponds to the numerical value 5333 hex = 21299 dec.</p> <p>Note:</p> <p>The analog value of the amplitude error is not measured at the same time with the hardware fault output by the Sensor Module.</p> <p>The fault value can only be represented between -32768 ... 32767 dec (-770 ... 770 mV).</p>

The signal level is not evaluated unless the following conditions are satisfied:

- Sensor Module properties available (r0459.31 = 1).
- Monitoring active (p0437.31 = 1).

See also: p0491 (Motor encoder fault response ENCODER)

Remedy:

- check the speed range; frequency characteristic (amplitude characteristic) of the measuring equipment might not be sufficient for the speed range
- check that the encoder cables and shielding are routed in compliance with EMC.
- check the plug connections and contacts of the encoder cable.
- check the encoder type (encoder with zero marks).
- check whether the zero mark is connected and the signal cables RP and RN have been connected correctly.
- replace the encoder cable.
- if the coding disk is soiled or the lighting aged, replace the encoder.

F31110 (N, A)

Encoder 1: Serial communications error

Message class:

Position/speed actual value incorrect or not available (11)

Reaction:

ENCODER (IASC/DCBRK, NONE)

Acknowledge:

PULSE INHIBIT

Cause:

Serial communication protocol transfer error between the encoder and evaluation module.

Fault value (r0949, interpret binary):

Bit 0: Alarm bit in the position protocol.

Bit 1: Incorrect quiescent level on the data line.

Bit 2: Encoder does not respond (does not supply a start bit within 50 ms).

Bit 3: CRC error: The checksum in the protocol from the encoder does not match the data.

Bit 4: Encoder acknowledgement error: The encoder incorrectly understood the task (request) or cannot execute it.

Bit 5: Internal error in the serial driver: An illegal mode command was requested.

Bit 6: Timeout when cyclically reading.

Bit 7: Timeout for the register communication.

Bit 8: Protocol is too long (e.g. > 64 bits).

Bit 9: Receive buffer overflow.

Bit 10: Frame error when reading twice.

Bit 11: Parity error.

Bit 12: Data line signal level error during the monoflop time.

Bit 13: Data line incorrect.

Bit 14: Fault for the register communication.

Bit 15: Internal communication error.

Note:

For an EnDat 2.2 encoder, the significance of the fault value for F3x135 (x = 1, 2, 3) is described.

Remedy:

Re fault value, bit 0 = 1:

- Enc defect F31111 may provide additional details.

Re fault value, bit 1 = 1:

- Incorrect encoder type / replace the encoder or encoder cable.

Re fault value, bit 2 = 1:

- Incorrect encoder type / replace the encoder or encoder cable.

Re fault value, bit 3 = 1:

- EMC / connect the cable shield, replace the encoder or encoder cable.

Re fault value, bit 4 = 1:

- EMC / connect the cable shield, replace the encoder or encoder cable, replace the Sensor Module.

Re fault value, bit 5 = 1:

- EMC / connect the cable shield, replace the encoder or encoder cable, replace the Sensor Module.

Re fault value, bit 6 = 1:

- Update Sensor Module firmware.

Re fault value, bit 7 = 1:

- Incorrect encoder type / replace the encoder or encoder cable.

Re fault value, bit 8 = 1:

- Check parameterization (p0429.2).

Re fault value, bit 9 = 1:

- EMC / connect the cable shield, replace the encoder or encoder cable, replace the Sensor Module.

Re fault value, bit 10 = 1:

- Check parameterization (p0429.2, p0449).

Re fault value, bit 11 = 1:

- Check parameterization (p0436).

Re fault value, bit 12 = 1:

- Check parameterization (p0429.6).

Re fault value, bit 13 = 1:

- Check data line.

Re fault value, bit 14 = 1:

- Incorrect encoder type / replace the encoder or encoder cable.

F31111 (N, A)

Encoder 1: Absolute encoder internal error

Message class: Position/speed actual value incorrect or not available (11)

Reaction: ENCODER (IASC/DCBRK, NONE)

Acknowledge: PULSE INHIBIT

Cause: The absolute encoder fault word supplies fault bits that have been set.

Fault value (r0949, interpret binary):

yyyyxxxx hex: yyyy = supplementary information, xxxx = fault cause

yyyy = 0:

Bit 0: Lighting system failed.

Bit 1: Signal amplitude too low.

Bit 2: Position value incorrect.

Bit 3: Encoder power supply overvoltage condition.

Bit 4: Encoder power supply undervoltage condition.

Bit 5: Encoder power supply overcurrent condition.

Bit 6: The battery must be changed.

yyyy = 1:

Bit 0: Signal amplitude outside the control range.

Bit 1: Error multiturn interface

Bit 2: Internal data error (singleturn/multiturn not with single steps).

Bit 3: Error EEPROM interface.

Bit 4: SAR converter error.

Bit 5: Fault for the register data transfer.

Bit 6: Internal error identified at the error pin (nErr).

Bit 7: Temperature threshold exceeded or fallen below.

See also: p0491 (Motor encoder fault response ENCODER)

Remedy: For yyyy = 0:

Re fault value, bit 0 = 1:

Encoder is defective. Replace the encoder, where the motor encoder has a direct DRIVE-CLiQ socket: Replace the motor.

Re fault value, bit 1 = 1:

Encoder is defective. Replace the encoder, where the motor encoder has a direct DRIVE-CLiQ socket: Replace the motor.

Re fault value, bit 2 = 1:

Encoder is defective. Replace the encoder, where the motor encoder has a direct DRIVE-CLiQ socket: Replace the motor.

Re fault value, bit 3 = 1:

5 V power supply voltage fault.

When using an SMC: Check the plug-in cable between the encoder and SMC or replace the SMC.

When a motor encoder with a direct DRIVE-CLiQ connection is used: Replace the motor.

Re fault value, bit 4 = 1:

5 V power supply voltage fault.

When using an SMC: Check the plug-in cable between the encoder and SMC or replace the SMC.

When using a motor with DRIVE-CLiQ: Replace the motor.

Re fault value, bit 5 = 1:

Encoder is defective. Replace the encoder, where the motor encoder has a direct DRIVE-CLiQ socket: Replace the motor.

Re fault value, bit 6 = 1:

The battery must be changed (only for encoders with battery back-up).

For yyyy = 1:

Encoder is defective. Replace encoder.

F31112 (N, A)	Encoder 1: Error bit set in the serial protocol
Message class:	Position/speed actual value incorrect or not available (11)
Reaction:	ENCODER (IASC/DCBRK, NONE)
Acknowledge:	PULSE INHIBIT
Cause:	The encoder sends a set error bit via the serial protocol. Fault value (r0949, interpret binary): Bit 0: Fault bit in the position protocol.
Remedy:	For fault value, bit 0 = 1: In the case of an EnDat encoder, F31111 may provide further details.

F31115 (N, A)	Encoder 1: Amplitude error track A or B ($A^2 + B^2$)
Message class:	Position/speed actual value incorrect or not available (11)
Reaction:	ENCODER (IASC/DCBRK, NONE)
Acknowledge:	PULSE INHIBIT
Cause:	The amplitude (root of $A^2 + B^2$) for encoder 1 exceeds the permissible tolerance. Fault value (r0949, interpret hexadecimal): yyyyxxxx hex: yyyy = Signal level, track B (16 bits with sign). xxxx = Signal level, track A (16 bits with sign). The nominal signal level of the encoder must lie in the range 375 mV to 600 mV (500 mV -25/+20 %). The response thresholds are < 170 mV (observe the frequency response of the encoder) and > 750 mV. A signal level of 500 mV peak value corresponds to the numerical value 5333 hex = 21299 dec. Note for Sensor Modules for resolvers (e.g. SMC10): The nominal signal level is at 2900 mV (2.0 Vrms). The response thresholds are < 1070 mV and > 3582 mV. A signal level of 2900 mV peak value corresponds to the numerical value 6666 hex = 26214 dec. Note when using the internal resolver evaluation (CU250S): The nominal signal level is at 1300 mV. The response thresholds are < 490 mV and > 1616 mV. A signal level of 1300 mV peak value corresponds to the numerical value 2DE6 hex = 11750 dec. Note: The analog values of the amplitude error are not measured at the same time with the hardware fault output by the Sensor Module. See also: p0491 (Motor encoder fault response ENCODER)
Remedy:	- check that the encoder cables and shielding are routed in compliance with EMC. - check the plug connections. - replace the encoder or encoder cable. - check the Sensor Module (e.g. contacts). The following applies to measuring systems without their own bearing system: - adjust the scanning head and check the bearing system of the measuring wheel. The following applies for measuring systems with their own bearing system: - ensure that the encoder housing is not subject to any axial force.

F31116 (N, A)	Encoder 1: Amplitude error monitoring track A + B
Message class:	Position/speed actual value incorrect or not available (11)
Reaction:	ENCODER (IASC/DCBRK, NONE)
Acknowledge:	IMMEDIATELY
Cause:	The amplitude of the rectified encoder signals A and B and the amplitude from the roots of $A^2 + B^2$ for encoder 1 are not within the tolerance bandwidth.

Fault value (r0949, interpret hexadecimal):

yyyyxxxx hex:

yyyy = Signal level, track B (16 bits with sign).

xxxx = Signal level, track A (16 bits with sign).

The nominal signal level of the encoder must lie in the range 375 mV to 600 mV (500 mV -25/+20 %).

The response thresholds are < 130 mV (observe the frequency response of the encoder) and > 955 mV.

A signal level of 500 mV peak value corresponds to the numerical value 5333 hex = 21299 dec.

Note:

The analog values of the amplitude error are not measured at the same time with the hardware fault output by the Sensor Module.

See also: p0491 (Motor encoder fault response ENCODER)

Remedy:

- check that the encoder cables and shielding are routed in compliance with EMC.
- check the plug connections.
- replace the encoder or encoder cable.
- check the Sensor Module (e.g. contacts).

F31117 (N, A)

Encoder 1: Inversion error signals A/B/R

Message class:

Position/speed actual value incorrect or not available (11)

Reaction:

ENCODER (IASC/DCBRK, NONE)

Acknowledge:

IMMEDIATELY

Cause:

For a square-wave encoder (bipolar, double ended) signals A*, B* and R* are not inverted with respect to signals A, B and R.

Fault value (r0949, interpret binary):

Bits 0 ... 15: Only for internal Siemens troubleshooting.

Bit 16: Error track A.

Bit 17: Error track B.

Bit 18: Error track R.

Note:

For SMC30 (order no.. 6SL3055-0AA00-5CA0 and 6SL3055-0AA00-5CA1 only), CUA32, and CU310, the following applies:

A square-wave encoder without track R is used and track monitoring (p0405.2 = 1) is activated.

See also: p0491 (Motor encoder fault response ENCODER)

Remedy:

- Check the encoder/cable.
- Does the encoder supply signals and the associated inverted signals?

Note:

For SMC30 (order no. 6SL3055-0AA00-5CA0 and 6SL3055-0AA00-5CA1 only), the following applies:

- check the setting of p0405 (p0405.2 = 1 is only possible if the encoder is connected at X520).

For a square-wave encoder without track R, the following jumpers must be set for the connection at X520 (SMC30) or X23 (CUA32, CU310):

- pin 10 (reference signal R) <--> pin 7 (encoder power supply, ground)
- pin 11 (reference signal R inverted) <--> pin 4 (encoder power supply)

F31118 (N, A)

Encoder 1: Speed difference outside the tolerance range

Message class:

Position/speed actual value incorrect or not available (11)

Reaction:

ENCODER (IASC/DCBRK, NONE)

Acknowledge:

PULSE INHIBIT

Cause:

For an HTL/TTL encoder, the speed difference has exceeded the value in p0492 over several sampling cycles.

The change to the averaged speed actual value - if applicable - is monitored in the current controller sampling time.

Encoder 1 is used as motor encoder and can be effective has fault response to change over to encoderless operation.

Fault value (r0949, interpret decimal):

Only for internal Siemens troubleshooting.

See also: p0491 (Motor encoder fault response ENCODER), p0492 (Maximum speed difference per sampling cycle)

Remedy:

- check the tachometer feeder cable for interruptions.
- check the grounding of the tachometer shielding.
- if required, increase the maximum speed difference per sampling cycle (p0492).

F31120 (N, A)	Encoder 1: Power supply voltage fault
Message class:	Position/speed actual value incorrect or not available (11)
Reaction:	ENCODER (IASC/DCBRK, NONE)
Acknowledge:	PULSE INHIBIT
Cause:	A power supply fault was detected for encoder 1. Fault value (r0949, interpret binary): Bit 0: Undervoltage condition on the sense line. Bit 1: Overcurrent condition for the encoder power supply. Bit 2: Overcurrent condition for encoder power supply on cable resolver excitation negative. Bit 3: Overcurrent condition for encoder power supply on cable resolver excitation positive. Bit 4: The 24 V power supply through the Power Module (PM) is overloaded. Bit 5: Overcurrent at the EnDat connection of the converter. Bit 6: Overvoltage at the EnDat connection of the converter. Bit 7: Hardware fault at the EnDat connection of the converter. Note: If the encoder cables 6FX2002-2EQ00-.... and 6FX2002-2CH00-.... are interchanged, this can result in the encoder being destroyed because the pins of the operating voltage are reversed. See also: p0491 (Motor encoder fault response ENCODER)
Remedy:	Re fault value, bit 0 = 1: - correct encoder cable connected? - check the plug connections of the encoder cable. - SMC30: Check the parameterization (p0404.22). Re fault value, bit 1 = 1: - correct encoder cable connected? - replace the encoder or encoder cable. Re fault value, bit 2 = 1: - correct encoder cable connected? - replace the encoder or encoder cable. Re fault value, bit 3 = 1: - correct encoder cable connected? - replace the encoder or encoder cable. Re fault value, bit 5 = 1: - Measuring unit correctly connected at the converter? - Replace the measuring unit or the cable to the measuring unit. Re fault value, bit 6, 7 = 1: - Replace the defective EnDat 2.2 converter.
F31121 (N, A)	Encoder 1: Coarse position error
Message class:	Position/speed actual value incorrect or not available (11)
Reaction:	ENCODER (NONE)
Acknowledge:	PULSE INHIBIT
Cause:	For the actual value sensing, an error was detected on the module. As a result of this error, it must be assumed that the actual value sensing supplies an incorrect coarse position. See also: p0491 (Motor encoder fault response ENCODER)
Remedy:	Replace the motor with DRIVE-CLiQ or the appropriate Sensor Module.
F31122	Encoder 1: Internal power supply voltage faulty
Message class:	Supply voltage fault (undervoltage) (3)
Reaction:	ENCODER
Acknowledge:	IMMEDIATELY
Cause:	Fault in internal reference voltage of ASICs for encoder 1. Fault value (r0949, interpret decimal): 1: Reference voltage error. 2: Internal undervoltage. 3: Internal overvoltage.

Remedy: Replace the motor with DRIVE-CLiQ or the appropriate Sensor Module.

F31123 (N, A) Encoder 1: Signal level A/B unipolar outside tolerance

Message class: Position/speed actual value incorrect or not available (11)

Reaction: ENCODER (IASC/DCBRK, NONE)

Acknowledge: PULSE INHIBIT

Cause: The unipolar level (AP/AN or BP/BN) for encoder 1 is outside the permissible tolerance.

Fault value (r0949, interpret binary):

Bit 0 = 1: Either AP or AN outside the tolerance.

Bit 16 = 1: Either BP or BN outside the tolerance.

The unipolar nominal signal level of the encoder must lie in the range 2500 mV +/- 500 mV.

The response thresholds are < 1700 mV and > 3300 mV.

Note:

The signal level is not evaluated unless the following conditions are satisfied:

- Sensor Module properties available (r0459.31 = 1).

- Monitoring active (p0437.31 = 1).

See also: p0491 (Motor encoder fault response ENCODER)

Remedy: - make sure that the encoder cables and shielding are installed in an EMC-compliant manner.

- check the plug connections and contacts of the encoder cable.

- check the short-circuit of a signal cable with mass or the operating voltage.

- replace the encoder cable.

F31125 (N, A) Encoder 1: Amplitude error track A or B overcontrolled

Message class: Position/speed actual value incorrect or not available (11)

Reaction: ENCODER (IASC/DCBRK, NONE)

Acknowledge: PULSE INHIBIT

Cause: The amplitude of track A or B for encoder 1 exceeds the permissible tolerance band.

Fault value (r0949, interpret hexadecimal):

yyyyxxxx hex:

yyyy = Signal level, track B (16 bits with sign).

xxxx = Signal level, track A (16 bits with sign).

The nominal signal level of the encoder must lie in the range 375 mV to 600 mV (500 mV -25/+20 %).

The response threshold is > 750 mV. This fault also occurs if the A/D converter is overcontrolled.

A signal level of 500 mV peak value corresponds to the numerical value 5333 hex = 21299 dec.

Note for Sensor Modules for resolvers (e.g. SMC10):

The nominal signal level is at 2900 mV (2.0 Vrms). The response threshold is > 3582 mV.

A signal level of 2900 mV peak value corresponds to the numerical value 6666 hex = 26214 dec.

Note when using the internal resolver evaluation (CU250S):

The nominal signal level is at 1300 mV. The response threshold is > 1616 mV.

A signal level of 1300 mV peak value corresponds to the numerical value 2DE6 hex = 11750 dec.

Note:

The analog values of the amplitude error are not measured at the same time with the hardware fault output by the Sensor Module.

See also: p0491 (Motor encoder fault response ENCODER)

Remedy: - check that the encoder cables and shielding are routed in compliance with EMC.

- replace the encoder or encoder cable.

F31126 (N, A) Encoder 1: Amplitude AB too high

Message class: Position/speed actual value incorrect or not available (11)

Reaction: ENCODER (IASC/DCBRK, NONE)

Acknowledge: PULSE INHIBIT

Cause: The amplitude (root of $A^2 + B^2$ or $|A| + |B|$) for encoder 1 exceeds the permissible tolerance.

Fault value (r0949, interpret hexadecimal):

yyyyxxxx hex:

yyyy = Angle

xxxx = Amplitude, i.e. root from $A^2 + B^2$ (16 bits without sign)

The nominal signal level of the encoder must lie in the range 375 mV to 600 mV (500 mV -25/+20 %).

The response threshold for $(|A| + |B|)$ is > 1120 mV or the root of $(A^2 + B^2) > 955$ mV.

A signal level of 500 mV peak value corresponds to the numerical value of 299A hex = 10650 dec.

The angle 0 ... FFFF hex corresponds to 0 ... 360 degrees of the fine position. Zero degrees is present at the negative zero crossover of track B.

Note:

The analog values of the amplitude error are not measured at the same time with the hardware fault output by the Sensor Module.

See also: p0491 (Motor encoder fault response ENCODER)

Remedy:

- check that the encoder cables and shielding are routed in compliance with EMC.
- replace the encoder or encoder cable.

F31129 (N, A) Encoder 1: Position difference hall sensor/track C/D and A/B too large

Message class: Position/speed actual value incorrect or not available (11)

Reaction: ENCODER (IASC/DCBRK, NONE)

Acknowledge: PULSE INHIBIT

Cause: The error for track C/D is greater than $\pm 15^\circ$ mechanical or $\pm 60^\circ$ electrical or the error for the Hall signals is greater than $\pm 60^\circ$ electrical.

One period of track C/D corresponds to 360° mechanical.

One period of the Hall signal corresponds to 360° electrical.

The monitoring responds if, for example, Hall sensors are connected as equivalent for the C/D tracks with the incorrect rotational sense or supply values that are not accurate enough.

After the fine synchronization using one reference mark or 2 reference marks for distance-coded encoders, this fault is no longer initiated, but instead, Alarm A31429.

Fault value (r0949, interpret decimal):

For track C/D, the following applies:

Measured deviation as mechanical angle (16 bits with sign, 182 dec corresponds to 1°).

For Hall signals, the following applies:

Measured deviation as electrical angle (16 bits with sign, 182 dec corresponds to 1°).

See also: p0491 (Motor encoder fault response ENCODER)

Remedy:

- track C or D not connected.
- correct the direction of rotation of the Hall sensor possibly connected as equivalent for track C/D.
- check that the encoder cables are routed in compliance with EMC.
- check the adjustment of the Hall sensor.

F31130 (N, A) Encoder 1: Zero mark and position error from the coarse synchronization

Message class: Position/speed actual value incorrect or not available (11)

Reaction: ENCODER (IASC/DCBRK, NONE, OFF1, OFF2, OFF3, STOP2)

Acknowledge: PULSE INHIBIT

Cause: After initializing the pole position using track C/D, Hall signals or pole position identification routine, the zero mark was detected outside the permissible range. For distance-coded encoders, the test is carried out after passing 2 zero marks. Fine synchronization was not carried out.

When initializing via track C/D (p0404) then it is checked whether the zero mark occurs in an angular range of $\pm 18^\circ$ mechanical.

When initializing via Hall sensors (p0404) or pole position identification (p1982) it is checked whether the zero mark occurs in an angular range of $\pm 60^\circ$ electrical.

Fault value (r0949, interpret hexadecimal):

yyyyxxxx hex

yyyy: Determined mechanical zero mark position (can only be used for track C/D).

xxxx: Deviation of the zero mark from the expected position as electrical angle.

Scaling: 32768 dec = 180°

See also: p0491 (Motor encoder fault response ENCODER)

Remedy:

- Check p0431 and, if necessary, correct (trigger via p1990 = 1 if necessary).
- check that the encoder cables are routed in compliance with EMC.
- check the plug connections.
- if the Hall sensor is used as an equivalent for track C/D, check the connection.

- Check the connection of track C or D.
- replace the encoder or encoder cable.

F31131 (N, A)	Encoder 1: Deviation position incremental/absolute too large
Message class:	Position/speed actual value incorrect or not available (11)
Reaction:	ENCODER (IASC/DCBRK, NONE, OFF1, OFF2, OFF3, STOP2)
Acknowledge:	PULSE INHIBIT
Cause:	Absolute encoder: When cyclically reading the absolute position, an excessively high difference to the incremental position was detected. The absolute position that was read is rejected. Limit value for the deviation: - EnDat encoder: Is supplied from the encoder and is a minimum of 2 quadrants (e.g. EQI 1325 > 2 quadrants, EQN 1325 > 50 quadrants). - other encoders: 15 pulses = 60 quadrants. Incremental encoder: When the zero pulse is passed, a deviation in the incremental position was detected. For equidistant zero marks, the following applies: - The first zero mark passed supplies the reference point for all subsequent checks. The other zero marks must have n times the distance referred to the first zero mark. For distance-coded zero marks, the following applies: - the first zero mark pair supplies the reference point for all subsequent checks. The other zero mark pairs must have the expected distance to the first zero mark pair. Fault value (r0949, interpret decimal): Deviation in quadrants (1 pulse = 4 quadrants). See also: p0491 (Motor encoder fault response ENCODER)
Remedy:	- check that the encoder cables are routed in compliance with EMC. - check the plug connections. - replace the encoder or encoder cable. - check whether the coding disk is dirty or there are strong ambient magnetic fields. - adapt the parameter for the clearance between zero marks (p0425). - if message output above speed threshold, reduce filter time if necessary (p0438).

F31135	Encoder 1: Fault when determining the position
Message class:	Position/speed actual value incorrect or not available (11)
Reaction:	ENCODER (IASC/DCBRK, NONE)
Acknowledge:	PULSE INHIBIT
Cause:	The encoder supplies status information bit by bit in an internal status/fault word. Some of these bits cause this fault to be triggered. Other bits are status displays. The status/fault word is displayed in the fault value. Note regarding the bit designation: The first designation is valid for DRIVE-CLiQ encoders, the second for EnDat 2.2 encoders. Fault value (r0949, interpret binary): Bit 0: F1 (safety status display). Bit 1: F2 (safety status display). Bit 2: Reserved (lighting). Bit 3: Reserved (signal amplitude). Bit 4: Reserved (position value). Bit 5: Reserved (overvoltage). Bit 6: Reserved (undervoltage)/hardware fault EnDat supply (--> F3x110, x = 1, 2, 3). Bit 7: Reserved (overcurrent)/EnDat encoder withdrawn when not in the parked state (--> F3x110, x = 1, 2, 3). Bit 8: Reserved (battery)/overcurrent EnDat supply (--> F3x110, x = 1, 2, 3). Bit 9: Reserved/overvoltage EnDat supply (--> F3x110, x = 1, 2, 3). Bit 11: Reserved/internal communication error (--> F3x110, x = 1, 2, 3). Bit 12: Reserved/internal communication error (--> F3x110, x = 1, 2, 3). Bit 13: Reserved/internal communication error (--> F3x110, x = 1, 2, 3). Bit 14: Reserved/internal communication error (--> F3x110, x = 1, 2, 3).

Bit 15: Internal communication error (--> F3x110, x = 1, 2, 3).
Bit 16: Lighting (--> F3x135, x = 1, 2, 3).
Bit 17: Signal amplitude (--> F3x135, x = 1, 2, 3).
Bit 18: Singleturn position 1 (--> F3x135, x = 1, 2, 3).
Bit 19: Overvoltage (--> F3x135, x = 1, 2, 3).
Bit 20: Undervoltage (--> F3x135, x = 1, 2, 3).
Bit 21: Overcurrent (--> F3x135, x = 1, 2, 3).
Bit 22: Temperature exceeded (--> F3x405, x = 1, 2, 3).
Bit 23: Singleturn position 2 (safety status display).
Bit 24: Singleturn system (--> F3x135, x = 1, 2, 3).
Bit 25: Singleturn power down (--> F3x135, x = 1, 2, 3).
Bit 26: Multiturn position 1 (--> F3x136, x = 1, 2, 3).
Bit 27: Multiturn position 2 (--> F3x136, x = 1, 2, 3).
Bit 28: Multiturn system (--> F3x136, x = 1, 2, 3).
Bit 29: Multiturn power down (--> F3x136, x = 1, 2, 3).
Bit 30: Multiturn overflow/underflow (--> F3x136, x = 1, 2, 3).
Bit 31: Multiturn battery (reserved).

Remedy:
- determine the detailed cause of the fault using the fault value.
- replace the encoder if necessary.

Note:

An EnDat 2.2 encoder may only be removed and inserted in the "Park" state.

If an EnDat 2.2 encoder was removed when not in the "Park" state, then after inserting the encoder, a POWER ON (switch-off/on) is necessary to acknowledge the fault.

F31136

Encoder 1: Error when determining multiturn information

Message class:

Position/speed actual value incorrect or not available (11)

Reaction:

ENCODER (IASC/DCBRK, NONE)

Acknowledge:

PULSE INHIBIT

Cause:

The encoder supplies status information bit by bit in an internal status/fault word.

Some of these bits cause this fault to be triggered. Other bits are status displays. The status/fault word is displayed in the fault value.

Note regarding the bit designation:

The first designation is valid for DRIVE-CLiQ encoders, the second for EnDat 2.2 encoders.

Fault value (r0949, interpret binary):

Bit 0: F1 (safety status display).

Bit 1: F2 (safety status display).

Bit 2: Reserved (lighting).

Bit 3: Reserved (signal amplitude).

Bit 4: Reserved (position value).

Bit 5: Reserved (overvoltage).

Bit 6: Reserved (undervoltage)/hardware fault EnDat supply (--> F3x110, x = 1, 2, 3).

Bit 7: Reserved (overcurrent)/EnDat encoder withdrawn when not in the parked state (--> F3x110, x = 1, 2, 3).

Bit 8: Reserved (battery)/overcurrent EnDat supply (--> F3x110, x = 1, 2, 3).

Bit 9: Reserved/overvoltage EnDat supply (--> F3x110, x = 1, 2, 3).

Bit 11: Reserved/internal communication error (--> F3x110, x = 1, 2, 3).

Bit 12: Reserved/internal communication error (--> F3x110, x = 1, 2, 3).

Bit 13: Reserved/internal communication error (--> F3x110, x = 1, 2, 3).

Bit 14: Reserved/internal communication error (--> F3x110, x = 1, 2, 3).

Bit 15: Internal communication error (--> F3x110, x = 1, 2, 3).

Bit 16: Lighting (--> F3x135, x = 1, 2, 3).

Bit 17: Signal amplitude (--> F3x135, x = 1, 2, 3).

Bit 18: Singleturn position 1 (--> F3x135, x = 1, 2, 3).

Bit 19: Overvoltage (--> F3x135, x = 1, 2, 3).

Bit 20: Undervoltage (--> F3x135, x = 1, 2, 3).

Bit 21: Overcurrent (--> F3x135, x = 1, 2, 3).

Bit 22: Temperature exceeded (--> F3x405, x = 1, 2, 3).
Bit 23: Singleturn position 2 (safety status display).
Bit 24: Singleturn system (--> F3x135, x = 1, 2, 3).
Bit 25: Singleturn power down (--> F3x135, x = 1, 2, 3).
Bit 26: Multiturn position 1 (--> F3x136, x = 1, 2, 3).
Bit 27: Multiturn position 2 (--> F3x136, x = 1, 2, 3).
Bit 28: Multiturn system (--> F3x136, x = 1, 2, 3).
Bit 29: Multiturn power down (--> F3x136, x = 1, 2, 3).
Bit 30: Multiturn overflow/underflow (--> F3x136, x = 1, 2, 3).
Bit 31: Multiturn battery (reserved).

Remedy:

- determine the detailed cause of the fault using the fault value.
- replace the encoder if necessary.

Note:

An EnDat 2.2 encoder may only be removed and inserted in the "Park" state.

If an EnDat 2.2 encoder was removed when not in the "Park" state, then after inserting the encoder, a POWER ON (switch-off/on) is necessary to acknowledge the fault.

F31137

Encoder 1: Internal fault when determining the position

Message class:

Hardware / software error (1)

Reaction:

ENCODER (IASC/DCBRK, NONE)

Acknowledge:

PULSE INHIBIT

Cause:

A position determination fault has occurred in the DRIVE-CLiQ encoder.

Fault value (r0949, interpret binary):

yyxxxxxx hex: yy = encoder version, xxxxxx = bit coding of the fault cause

For yy = 08 hex (bit 27 = 1), the following bit definition applies:

Bit 1: Signal monitoring (sin/cos).

Bit 8: F1 (safety status display) fault position word 1.

Bit 9: F2 (safety status display) fault position word 2.

Bit 16: LED monitoring iC-LG (opto ASIC).

Bit 17: Fault in the multiturn.

Bit 23: Temperature outside the limit values.

Note:

For an encoder version that is not described here, please contact the encoder manufacturer for more detailed information on the bit coding.

Remedy:

- determine the detailed cause of the fault using the fault value.
- if required, replace the DRIVE-CLiQ encoder.

F31138

Encoder 1: Internal error when determining multiturn information

Message class:

Hardware / software error (1)

Reaction:

ENCODER (IASC/DCBRK, NONE)

Acknowledge:

PULSE INHIBIT

Cause:

A position determination fault has occurred in the DRIVE-CLiQ encoder.

Fault value (r0949, interpret binary):

yyxxxxxx hex: yy = encoder version, xxxxxx = bit coding of the fault cause

For yy = 08 hex (bit 27 = 1), the following bit definition applies:

Bit 1: Signal monitoring (sin/cos).

Bit 8: F1 (safety status display) fault position word 1.

Bit 9: F2 (safety status display) fault position word 2.

Bit 16: LED monitoring iC-LG (opto ASIC).

Bit 17: Fault in the multiturn.

Bit 23: Temperature outside the limit values.

Note:

For an encoder version that is not described here, please contact the encoder manufacturer for more detailed information on the bit coding.

Remedy:

- determine the detailed cause of the fault using the fault value.
- if required, replace the DRIVE-CLiQ encoder.

F31142 (N, A)	Encoder 1: Battery voltage fault
Message class:	Error in the parameterization / configuration / commissioning procedure (18)
Reaction:	ENCODER (IASC/DCBRK, NONE, OFF1, OFF2, OFF3, STOP2)
Acknowledge:	IMMEDIATELY
Cause:	When switched-off, the encoder uses a battery to back up the multiturn information. The battery voltage is no longer sufficient to check the multiturn information.
Remedy:	Replace battery.

F31150 (N, A)	Encoder 1: Initialization error
Message class:	Error in the parameterization / configuration / commissioning procedure (18)
Reaction:	ENCODER (IASC/DCBRK, NONE, OFF1, OFF2, OFF3, STOP2)
Acknowledge:	PULSE INHIBIT
Cause:	Encoder functionality selected in p0404 is not operating correctly. Fault value (r0949, interpret hexadecimal): Encoder malfunction. The bit assignment corresponds to that of p0404 (e.g. bit 5 set: Error track C/D). See also: p0404 (Encoder configuration effective), p0491 (Motor encoder fault response ENCODER)
Remedy:	- Check that p0404 is correctly set. - check the encoder type used (incremental/absolute) and for SMCxx, the encoder cable. - if relevant, note additional fault messages that describe the fault in detail.

F31151 (N, A)	Encoder 1: Encoder speed for initialization AB too high
Message class:	Error in the parameterization / configuration / commissioning procedure (18)
Reaction:	ENCODER (IASC/DCBRK, NONE, OFF1, OFF2, OFF3, STOP2)
Acknowledge:	PULSE INHIBIT
Cause:	The encoder speed is too high while initializing the Sensor Module.
Remedy:	Reduce the speed of the encoder accordingly during initialization. If necessary, de-activate monitoring (p0437.29). See also: p0437 (Sensor Module configuration extended)

F31152 (N, A)	Encoder 1: Maximum input frequency exceeded
Message class:	Error in the parameterization / configuration / commissioning procedure (18)
Reaction:	ENCODER (IASC/DCBRK, NONE, OFF1, OFF2, OFF3, STOP2)
Acknowledge:	PULSE INHIBIT
Cause:	The maximum input frequency of the encoder evaluation has been exceeded. Fault value (r0949, interpret decimal): Actual input frequency in Hz. See also: p0408 (Rotary encoder pulse number)
Remedy:	- Reduce the speed. - Use an encoder with a lower pulse number (p0408).

F31153 (N, A)	Encoder 1: Identification error
Message class:	Error in the parameterization / configuration / commissioning procedure (18)
Reaction:	NONE
Acknowledge:	IMMEDIATELY
Cause:	An error has occurred when identifying the encoder (waiting) p0400=10100. The connected encoder was not able to be identified. Fault value (r0949, interpret hexadecimal): Bit 0: Data length incorrect See also: p0400 (Encoder type selection)
Remedy:	Manually configure the encoder according to the data sheet.

F31160 (N, A)	Encoder 1: Analog sensor channel A failed
Message class:	Position/speed actual value incorrect or not available (11)
Reaction:	ENCODER (IASC/DCBRK, NONE)
Acknowledge:	PULSE INHIBIT
Cause:	The input voltage of the analog sensor is outside the permissible limits. Fault value (r0949, interpret decimal): 1: Input voltage outside detectable measuring range. 2: Input voltage outside the measuring range set in (p4673). 3: The absolute value of the input voltage has exceeded the range limit (p4676).
Remedy:	For fault value = 1: - check the output voltage of the analog sensor. For fault value = 2: - check the voltage setting for each encoder period (p4673). For fault value = 3: - check the range limit setting and increase it if necessary (p4676).
F31161 (N, A)	Encoder 1: Analog sensor channel B failed
Message class:	Position/speed actual value incorrect or not available (11)
Reaction:	ENCODER (IASC/DCBRK, NONE)
Acknowledge:	PULSE INHIBIT
Cause:	The input voltage of the analog sensor is outside the permissible limits. Fault value (r0949, interpret decimal): 1: Input voltage outside detectable measuring range. 2: Input voltage outside the measuring range set in (p4675). 3: The absolute value of the input voltage has exceeded the range limit (p4676).
Remedy:	For fault value = 1: - check the output voltage of the analog sensor. For fault value = 2: - check the voltage setting for each encoder period (p4675). For fault value = 3: - check the range limit setting and increase it if necessary (p4676).
F31163 (N, A)	Encoder 1: Analog sensor position value exceeds limit value
Message class:	Position/speed actual value incorrect or not available (11)
Reaction:	ENCODER (IASC/DCBRK, NONE)
Acknowledge:	PULSE INHIBIT
Cause:	The position value has exceeded the permissible range of -0.5 ... +0.5. Fault value (r0949, interpret decimal): 1: Position value from the LVDT sensor. 2: Position value from the encoder characteristic.
Remedy:	For fault value = 1: - Check the LVDT ratio (p4678). - check the reference signal connection at track B. For fault value = 2: - check the coefficients of the characteristic (p4663 ... p4666).
A31400 (F, N)	Encoder 1: Alarm threshold zero mark distance error
Message class:	Position/speed actual value incorrect or not available (11)
Reaction:	NONE
Acknowledge:	NONE
Cause:	The measured zero mark distance does not correspond to the parameterized zero mark distance. For distance-coded encoders, the zero mark distance is determined from zero marks detected pairs. This means that if a zero mark is missing, depending on the pair generation, this cannot result in a fault and also has no effect in the system. The zero mark distance for the zero mark monitoring is set in p0425 (rotary encoder) or p0424 (linear encoder).

Alarm value (r2124, interpret decimal):
 Last measured zero mark distance in increments (4 increments = 1 encoder pulse).
 The sign designates the direction of motion when detecting the zero mark distance.

- Remedy:**
- check that the encoder cables are routed in compliance with EMC.
 - check the plug connections.
 - check the encoder type (encoder with equidistant zero marks).
 - adapt the parameter for the distance between zero marks (p0424, p0425).
 - replace the encoder or encoder cable.

A31401 (F, N) Encoder 1: Alarm threshold zero mark failed

Message class: Position/speed actual value incorrect or not available (11)

Reaction: NONE

Acknowledge: NONE

Cause: The 1.5 x parameterized zero mark distance was exceeded.
 The zero mark distance for the zero mark monitoring is set in p0425 (rotary encoder) or p0424 (linear encoder).
 Alarm value (r2124, interpret decimal):
 Number of increments after POWER ON or since the last zero mark that was detected (4 increments = 1 encoder pulse).

- Remedy:**
- check that the encoder cables are routed in compliance with EMC.
 - check the plug connections.
 - check the encoder type (encoder with equidistant zero marks).
 - adapt the parameter for the clearance between zero marks (p0425).
 - replace the encoder or encoder cable.

F31405 (N, A) Encoder 1: Temperature in the encoder evaluation inadmissible

Message class: Overtemperature of the electronic components (6)

Reaction: ENCODER (IASC/DCBRK, NONE, OFF1, OFF2, OFF3, STOP2)

Acknowledge: IMMEDIATELY (POWER ON)

Cause: The encoder evaluation for a motor with DRIVE-CLiQ has detected an inadmissible temperature.
 The fault threshold is 125 °C.
 Alarm value (r2124, interpret decimal):
 Measured board/module temperature in 0.1 °C.

- Remedy:** Reduce the ambient temperature for the DRIVE-CLiQ connection of the motor.

A31407 (F, N) Encoder 1: Function limit reached

Message class: Position/speed actual value incorrect or not available (11)

Reaction: NONE

Acknowledge: NONE

Cause: The encoder has reached one of its function limits. A service is recommended.
 Alarm value (r2124, interpret decimal):

- 1 : Incremental signals
- 3 : Absolute track
- 4 : Code connection

- Remedy:** Perform service. Replace the encoder if necessary.
 Note:
 The actual functional reserve of an encoder can be displayed via r4651.
 See also: p4650 (Encoder functional reserve component number), r4651 (Encoder functional reserve)

A31410 (F, N) Encoder 1: Serial communications

Message class: Position/speed actual value incorrect or not available (11)

Reaction: NONE

Acknowledge: NONE

Cause: Serial communication protocol transfer error between the encoder and evaluation module.
 Alarm value (r2124, interpret binary):
 Bit 0: Alarm bit in the position protocol.
 Bit 1: Incorrect quiescent level on the data line.

4 Faults and alarms

4.2 List of faults and alarms

- Bit 2: Encoder does not respond (does not supply a start bit within 50 ms).
- Bit 3: CRC error: The checksum in the protocol from the encoder does not match the data.
- Bit 4: Encoder acknowledgement error: The encoder incorrectly understood the task (request) or cannot execute it.
- Bit 5: Internal error in the serial driver: An illegal mode command was requested.
- Bit 6: Timeout when cyclically reading.
- Bit 8: Protocol is too long (e.g. > 64 bits).
- Bit 9: Receive buffer overflow.
- Bit 10: Frame error when reading twice.
- Bit 11: Parity error.
- Bit 12: Data line signal level error during the monoflop time.

Remedy:

- check that the encoder cables are routed in compliance with EMC.
- check the plug connections.
- replace encoder.

A31411 (F, N) Encoder 1: Absolute encoder signals internal alarms

Message class: Position/speed actual value incorrect or not available (11)
Reaction: NONE
Acknowledge: NONE
Cause: The absolute encoder fault word includes alarm bits that have been set.
Alarm value (r2124, interpret binary):
yyyyxxxx hex: yyyy = supplementary information, xxxx = fault cause
yyyy = 0:
Bit 0: Frequency exceeded (speed too high).
Bit 1: Temperature exceeded.
Bit 2: Control reserve, lighting system exceeded.
Bit 3: Battery discharged.
Bit 4: Reference point passed.
yyyy = 1:
Bit 0: Signal amplitude outside the control range.
Bit 1: Error multiturn interface
Bit 2: Internal data error (singleturn/multiturn not with single steps).
Bit 3: Error EEPROM interface.
Bit 4: SAR_converter error.
Bit 5: Fault for the register data transfer.
Bit 6: Internal error identified at the error pin (nErr).
Bit 7: Temperature threshold exceeded or fallen below.
See also: p0491 (Motor encoder fault response ENCODER)

Remedy: Replace encoder.

A31412 (F, N) Encoder 1: Error bit set in the serial protocol

Message class: Position/speed actual value incorrect or not available (11)
Reaction: NONE
Acknowledge: NONE
Cause: The encoder sends a set error bit via the serial protocol.
Alarm value (r2124, interpret binary):
Bit 0: Fault bit in the position protocol.
Bit 1: Alarm bit in the position protocol.

Remedy:

- carry out a POWER ON (power off/on) for all components.
- check that the encoder cables are routed in compliance with EMC.
- check the plug connections.
- replace encoder.

A31414 (F, N)	Encoder 1: Amplitude error track C or D ($C^2 + D^2$)
Message class:	Position/speed actual value incorrect or not available (11)
Reaction:	NONE
Acknowledge:	NONE
Cause:	<p>The amplitude ($C^2 + D^2$) of track C or D of the encoder or from the Hall signals, is not within the tolerance bandwidth.</p> <p>Alarm value (r2124, interpret hexadecimal): yyyyxxxx hex: yyyy = Signal level, track D (16 bits with sign). xxxx = Signal level, track C (16 bits with sign).</p> <p>The nominal signal level of the encoder must lie in the range 375 mV to 600 mV (500 mV -25/+20 %). The response thresholds are < 230 mV (observe the frequency response of the encoder) and > 750 mV. A signal level of 500 mV peak value corresponds to the numerical value 5333 hex = 21299 dec.</p> <p>Note: If the amplitude is not within the tolerance bandwidth, then it cannot be used to initialize the start position.</p>
Remedy:	<ul style="list-style-type: none"> - check that the encoder cables are routed in compliance with EMC. - check the plug connections. - replace the encoder or encoder cable. - check the Sensor Module (e.g. contacts). - check the Hall sensor box.

N31415 (F, A)	Encoder 1: Amplitude alarm track A or B ($A^2 + B^2$)
Message class:	Position/speed actual value incorrect or not available (11)
Reaction:	NONE
Acknowledge:	NONE
Cause:	<p>The amplitude (root of $A^2 + B^2$) for encoder 1 exceeds the permissible tolerance.</p> <p>Alarm value (r2124, interpret hexadecimal): yyyyxxxx hex: yyyy = Angle xxxx = Amplitude, i.e. root from $A^2 + B^2$ (16 bits without sign)</p> <p>The nominal signal level of the encoder must lie in the range 375 mV to 600 mV (500 mV -25/+20 %). The response threshold is < 230 mV (observe the frequency response of the encoder). A signal level of 500 mV peak value corresponds to the numerical value 299A hex = 10650 dec. The angle 0 ... FFFF hex corresponds to 0 ... 360 degrees of the fine position. Zero degrees is present at the negative zero crossover of track B.</p> <p>Note for Sensor Modules for resolvers (e.g. SMC10): The nominal signal level is at 2900 mV (2.0 Vrms). The response threshold is < 1414 mV (1.0 Vrms). A signal level of 2900 mV peak value corresponds to the numerical value 3333 hex = 13107 dec.</p> <p>Note when using the internal resolver evaluation (CU250S): The nominal signal level is at 1300 mV. The response threshold is < 650 mV. A signal level of 1300 mV peak value corresponds to the numerical value 16F3 hex = 5875 dec.</p> <p>Note: The analog values of the amplitude error are not measured at the same time with the hardware fault output by the Sensor Module.</p> <p>See also: p0491 (Motor encoder fault response ENCODER)</p>
Remedy:	<ul style="list-style-type: none"> - check the speed range, frequency characteristic (amplitude characteristic) of the measuring equipment is not sufficient for the speed range. - check that the encoder cables and shielding are routed in compliance with EMC. - check the plug connections. - replace the encoder or encoder cable. - check the Sensor Module (e.g. contacts). - if the coding disk is soiled or the lighting aged, replace the encoder.

A31418 (F, N)	Encoder 1: Speed difference per sampling rate exceeded
Message class:	Position/speed actual value incorrect or not available (11)
Reaction:	NONE
Acknowledge:	NONE
Cause:	For an HTL/TTL encoder, the speed difference between two sampling cycles has exceeded the value in p0492. The change to the averaged speed actual value - if applicable - is monitored in the current controller sampling time. Alarm value (r2124, interpret decimal): Only for internal Siemens troubleshooting. See also: p0492 (Maximum speed difference per sampling cycle)
Remedy:	<ul style="list-style-type: none">- check the tachometer feeder cable for interruptions.- check the grounding of the tachometer shielding.- if required, increase the setting of p0492.
A31419 (F, N)	Encoder 1: Track A or B outside tolerance
Message class:	Position/speed actual value incorrect or not available (11)
Reaction:	NONE
Acknowledge:	NONE
Cause:	The amplitude/phase/offset correction for track A or B is at the limit. Amplitude error correction: Amplitude B / Amplitude A = 0.78 ... 1.27 Phase: <84 degrees or >96 degrees SMC20: Offset correction: +/-140 mV SMC10: Offset correction: +/-650 mV Alarm value (r2124, interpret hexadecimal): xxxx1: Minimum of the offset correction, track B xxxx2: Maximum of the offset correction, track B xxx1x: Minimum of the offset correction, track A xxx2x: Maximum of the offset correction, track A xx1xx: Minimum of the amplitude correction, track B/A xx2xx: Maximum of the amplitude correction, track B/A x1xxx: Minimum of the phase error correction x2xxx: Maximum of the phase error correction 1xxxx: Minimum of the cubic correction 2xxxx: Maximum of the cubic correction See also: p0491 (Motor encoder fault response ENCODER)
Remedy:	<ul style="list-style-type: none">- check mechanical mounting tolerances for encoders without their own bearings (e.g. toothed-wheel encoders).- check the plug connections (also the transition resistance).- check the encoder signals.- replace the encoder or encoder cable.
A31421 (F, N)	Encoder 1: Coarse position error
Message class:	Position/speed actual value incorrect or not available (11)
Reaction:	NONE
Acknowledge:	NONE
Cause:	For the actual value sensing, an error was detected. As a result of this error, it must be assumed that the actual value sensing supplies an incorrect coarse position. Alarm value (r2124, interpret decimal): 3: The absolute position of the serial protocol and track A/B differ by half an encoder pulse. The absolute position must have its zero position in the quadrants in which both tracks are negative. In the case of a fault, the position can be incorrect by one encoder pulse.
Remedy:	Re alarm value = 3: <ul style="list-style-type: none">- For a standard encoder with cable, contact the manufacturer where relevant.- correct the assignment of the tracks to the position value that is serially transferred. To do this, the two tracks must be connected, inverted, at the Sensor Module (interchange A with A* and B with B*) or, for a programmable encoder, check the zero offset of the position.

A31422 (F, N)	Encoder 1: Pulses per revolution square-wave encoder outside tolerance bandwidth
Message class:	Position/speed actual value incorrect or not available (11)
Reaction:	NONE
Acknowledge:	NONE
Cause:	The measured zero mark distance does not correspond to the parameterized zero mark distance. This alarm is triggered with active square-wave encoder PPR correction and re-parameterized fault 31131 if the accumulator contains larger values than p4683 or p4684. The zero mark distance for zero mark monitoring is set in p0425 (rotary encoder). Alarm value (r2124, interpret decimal): accumulated differential pulses in encoder pulses. See also: p0491 (Motor encoder fault response ENCODER)
Remedy:	<ul style="list-style-type: none"> - check that the encoder cables are routed in compliance with EMC. - check the plug connections. - check the encoder type (encoder with equidistant zero marks). - adapt the parameter for the distance between zero marks (p0424, p0425). - replace the encoder or encoder cable.
A31429 (F, N)	Encoder 1: Position difference hall sensor/track C/D and A/B too large
Message class:	Position/speed actual value incorrect or not available (11)
Reaction:	NONE
Acknowledge:	NONE
Cause:	The error for track C/D is greater than +/-15 ° mechanical or +/-60 ° electrical or the error for the Hall signals is greater than +/-60 ° electrical. One period of track C/D corresponds to 360 ° mechanical. One period of the Hall signal corresponds to 360 ° electrical. The monitoring responds if, for example, Hall sensors are connected as equivalent for the C/D tracks with the incorrect rotational sense or supply values that are not accurate enough. Alarm value (r2124, interpret decimal): For track C/D, the following applies: Measured deviation as mechanical angle (16 bits with sign, 182 dec corresponds to 1 °). For Hall signals, the following applies: Measured deviation as electrical angle (16 bits with sign, 182 dec corresponds to 1 °). See also: p0491 (Motor encoder fault response ENCODER)
Remedy:	<ul style="list-style-type: none"> - track C or D not connected. - correct the direction of rotation of the Hall sensor possibly connected as equivalent for track C/D. - check that the encoder cables are routed in compliance with EMC. - check the adjustment of the Hall sensor.
A31431 (F, N)	Encoder 1: Deviation position incremental/absolute too large
Message class:	Position/speed actual value incorrect or not available (11)
Reaction:	NONE
Acknowledge:	NONE
Cause:	When the zero pulse is passed, a deviation in the incremental position was detected. For equidistant zero marks, the following applies: - The first zero mark passed supplies the reference point for all subsequent checks. The other zero marks must have n times the distance referred to the first zero mark. For distance-coded zero marks, the following applies: - the first zero mark pair supplies the reference point for all subsequent checks. The other zero mark pairs must have the expected distance to the first zero mark pair. Alarm value (r2124, interpret decimal): Deviation in quadrants (1 pulse = 4 quadrants). See also: p0491 (Motor encoder fault response ENCODER)
Remedy:	<ul style="list-style-type: none"> - check that the encoder cables are routed in compliance with EMC. - check the plug connections. - replace the encoder or encoder cable. - Clean coding disk or remove strong magnetic fields.

A31432 (F, N)	Encoder 1: Rotor position adaptation corrects deviation
Message class:	Position/speed actual value incorrect or not available (11)
Reaction:	NONE
Acknowledge:	NONE
Cause:	For track A/B, pulses have been lost or too many have been counted. These pulses are presently being corrected. Alarm value (r2124, interpret decimal): Last measured deviation of zero mark in increments (4 increments = 1 encoder pulse). The sign designates the direction of motion when detecting the zero mark distance.
Remedy:	<ul style="list-style-type: none">- check that the encoder cables are routed in compliance with EMC.- check the plug connections.- replace the encoder or encoder cable.- check encoder limit frequency.- adapt the parameter for the distance between zero marks (p0424, p0425).
<hr/>	
A31442 (F, N)	Encoder 1: Battery voltage pre-alarm
Message class:	Position/speed actual value incorrect or not available (11)
Reaction:	NONE
Acknowledge:	NONE
Cause:	When switched-off, the encoder uses a battery to back up the multiturn information. The multiturn information can no longer be buffered if the battery voltage drops even further.
Remedy:	Replace battery.
<hr/>	
A31443 (F, N)	Encoder 1: Unipolar CD signal level outside specification
Message class:	Position/speed actual value incorrect or not available (11)
Reaction:	NONE
Acknowledge:	NONE
Cause:	The unipolar level (CP/CN or DP/DN) for encoder 1 is outside the permissible tolerance. Alarm value (r2124, interpret binary): Bit 0 = 1: Either CP or CN outside the tolerance. Bit 16 = 1: Either DP or DN outside the tolerance. The unipolar nominal signal level of the encoder must lie in the range 2500 mV +/- 500 mV. The response thresholds are < 1700 mV and > 3300 mV. Note: The signal level is not evaluated unless the following conditions are satisfied: <ul style="list-style-type: none">- Sensor Module properties available (r0459.31 = 1).- Monitoring active (p0437.31 = 1). See also: p0491 (Motor encoder fault response ENCODER)
Remedy:	<ul style="list-style-type: none">- check that the encoder cables and shielding are routed in compliance with EMC.- check the plug connections and contacts of the encoder cable.- are the C/D tracks connected correctly (have the signal lines CP and CN or DP and DN been interchanged)?- replace the encoder cable.
<hr/>	
A31460 (N)	Encoder 1: Analog sensor channel A failed
Message class:	Position/speed actual value incorrect or not available (11)
Reaction:	NONE
Acknowledge:	NONE
Cause:	The input voltage of the analog sensor is outside the permissible limits. Alarm value (r2124, interpret decimal): 1: Input voltage outside detectable measuring range. 2: Input voltage outside measuring range set in p4673. 3: The absolute value of the input voltage has exceeded the range limit (p4676).
Remedy:	Re alarm value = 1: <ul style="list-style-type: none">- check the output voltage of the analog sensor. Re alarm value = 2: <ul style="list-style-type: none">- check the voltage setting for each encoder period (p4673).

Re alarm value = 3:
- check the range limit setting and increase it if necessary (p4676).

A31461 (N) Encoder 1: Analog sensor channel B failed
Message class: Position/speed actual value incorrect or not available (11)
Reaction: NONE
Acknowledge: NONE
Cause: The input voltage of the analog sensor is outside the permissible limits.
Alarm value (r2124, interpret decimal):
1: Input voltage outside detectable measuring range.
2: Input voltage outside the measuring range set in (p4675).
3: The absolute value of the input voltage has exceeded the range limit (p4676).
Remedy: Re alarm value = 1:
- check the output voltage of the analog sensor.
Re alarm value = 2:
- check the voltage setting for each encoder period (p4675).
Re alarm value = 3:
- check the range limit setting and increase it if necessary (p4676).

A31462 (N) Encoder 1: Analog sensor no channel active
Message class: Error in the parameterization / configuration / commissioning procedure (18)
Reaction: NONE
Acknowledge: NONE
Cause: Channel A and B are not activated for the analog sensor.
Remedy: - activate channel A and/or channel B (p4670).
- check the encoder configuration (p0404.17).
See also: p4670 (Analog sensor configuration)

A31463 (N) Encoder 1: Analog sensor position value exceeds limit value
Message class: Position/speed actual value incorrect or not available (11)
Reaction: NONE
Acknowledge: NONE
Cause: The position value has exceeded the permissible range of -0.5 ... +0.5.
Alarm value (r2124, interpret decimal):
1: Position value from the LVDT sensor.
2: Position value from the encoder characteristic.
Remedy: Re alarm value = 1:
- Check the LVDT ratio (p4678).
- check the reference signal connection at track B.
Re alarm value = 2:
- check the coefficients of the characteristic (p4663 ... p4666).

A31470 (F, N) Encoder 1: Soiling detected
Message class: Position/speed actual value incorrect or not available (11)
Reaction: NONE
Acknowledge: NONE
Cause: In the case of the alternative encoder system interface on the Sensor Module Cabinet 30 (SMC30), encoder soiling is signaled via a 0 signal at terminal X521.7.
Remedy: - check the plug connections.
- replace the encoder or encoder cable.

F31500 (N, A)	Encoder 1: Position tracking traversing range exceeded
Message class:	Position/speed actual value incorrect or not available (11)
Reaction:	OFF1 (NONE, OFF2, OFF3)
Acknowledge:	IMMEDIATELY
Cause:	For a configured linear axis without modulo correction, the drive/encoder has exceeded the maximum possible traversing range. The value should be read in p0412 and interpreted as the number of motor revolutions. For p0411.0 = 1, the maximum traversing range for the configured linear axis is defined to be 64x (+/- 32x) of p0421. For p0411.3 = 1, the maximum traversing range for the configured linear axis is pre-set (default value) to the highest possible value and is +/-p0412/2 (rounded off to complete revolutions). The highest possible value depends on the pulse number (p0408) and the fine resolution (p0419).
Remedy:	The fault should be resolved as follows: - select encoder commissioning (p0010 = 4). - reset the position tracking as follows (p0411.2 = 1). - de-select encoder commissioning (p0010 = 0). The fault should then be acknowledged and the absolute encoder adjusted.
F31501 (N, A)	Encoder 1: Position tracking encoder position outside tolerance window
Message class:	Position/speed actual value incorrect or not available (11)
Reaction:	OFF1 (NONE, OFF2, OFF3)
Acknowledge:	IMMEDIATELY
Cause:	When powered down, the drive/encoder was moved through a distance greater than was parameterized in the tolerance window. It is possible that there is no longer any reference between the mechanical system and encoder. Fault value (r0949, interpret decimal): Deviation (difference) to the last encoder position in increments of the absolute value. The sign designates the traversing direction. Note: The deviation (difference) found is also displayed in r0477. See also: p0413 (Measuring gear position tracking tolerance window), r0477 (Measuring gear position difference)
Remedy:	Reset the position tracking as follows: - select encoder commissioning (p0010 = 4). - reset the position tracking as follows (p0411.2 = 1). - de-select encoder commissioning (p0010 = 0). The fault should then be acknowledged and, if necessary, the absolute encoder adjusted (p2507). See also: p0010 (Drive commissioning parameter filter), p2507 (LR absolute encoder adjustment status)
F31502 (N, A)	Encoder 1: Encoder with measuring gear without valid signals
Message class:	Position/speed actual value incorrect or not available (11)
Reaction:	OFF1 (OFF2, OFF3)
Acknowledge:	IMMEDIATELY
Cause:	The encoder with measuring gear no longer provides any valid signals.
Remedy:	It must be ensured that all of the encoders, with mounted measuring gear, provide valid actual values in operation.
F31503 (N, A)	Encoder 1: Position tracking cannot be reset
Message class:	Position/speed actual value incorrect or not available (11)
Reaction:	OFF1 (NONE, OFF2, OFF3)
Acknowledge:	IMMEDIATELY
Cause:	The position tracking for the measuring gear cannot be reset.
Remedy:	The fault should be resolved as follows: - select encoder commissioning (p0010 = 4). - reset the position tracking as follows (p0411.2 = 1). - de-select encoder commissioning (p0010 = 0). The fault should then be acknowledged and the absolute encoder adjusted.

F31802 (N, A)	Encoder 1: Time slice overflow
Message class:	Hardware / software error (1)
Reaction:	ENCODER (IASC/DCBRK, NONE)
Acknowledge:	IMMEDIATELY
Cause:	A time slice overflow has occurred in encoder 1. Fault value (r0949, interpret hexadecimal): yx hex: y = function involved (Siemens-internal fault diagnostics), x = time slice involved x = 9: Time slice overflow of the fast (current controller clock cycle) time slice. x = A: Time slice overflow of the average time slice. x = C: Time slice overflow of the slow time slice. yx = 3E7: Timeout when waiting for SYNO (e.g. unexpected return to non-cyclic operation). See also: p0491 (Motor encoder fault response ENCODER)
Remedy:	Increase the current controller sampling time Note: For a current controller sampling time = 31.25 µs, use an SMx20 with order number 6SL3055-0AA00-5xA3.
<hr/>	
F31805 (N, A)	Encoder 1: EEPROM checksum error
Message class:	Hardware / software error (1)
Reaction:	ENCODER (IASC/DCBRK, NONE)
Acknowledge:	IMMEDIATELY
Cause:	Internal parameter data is corrupted. Fault value (r0949, interpret hexadecimal): 01: EEPROM access error. 02: Too many blocks in the EEPROM. See also: p0491 (Motor encoder fault response ENCODER)
Remedy:	Replace the module.
<hr/>	
F31850 (N, A)	Encoder 1: Encoder evaluation internal software error
Message class:	Hardware / software error (1)
Reaction:	ENCODER (IASC/DCBRK, NONE)
Acknowledge:	POWER ON
Cause:	An internal software error has occurred in the Sensor Module of encoder 1. Fault value (r0949, interpret decimal): 1: Background time slice is blocked. 2: Checksum over the code memory is not OK. 10000: OEM memory of the EnDat encoder contains data that cannot be interpreted. 11000 ... 11499: Descriptive data from EEPROM incorrect. 11500 ... 11899: Calibration data from EEPROM incorrect. 11900 ... 11999: Configuration data from EEPROM incorrect. 12000 ... 12008: Communication with AD converter faulted. 16000: DRIVE-CLiQ encoder initialization application error. 16001: DRIVE-CLiQ encoder initialization ALU error. 16002: DRIVE-CLiQ encoder HISI / SISI initialization error. 16003: DRIVE-CLiQ encoder safety initialization error. 16004: DRIVE-CLiQ encoder internal system error. See also: p0491 (Motor encoder fault response ENCODER)
Remedy:	- replace the Sensor Module. - if required, upgrade the firmware in the Sensor Module. - contact the Hotline.

F31899 (N, A)	Encoder 1: Unknown fault
Message class:	Position/speed actual value incorrect or not available (11)
Reaction:	ENCODER (IASC/DCBRK, NONE, OFF1, OFF2, OFF3, STOP2)
Acknowledge:	IMMEDIATELY (POWER ON)
Cause:	<p>A fault occurred on the Sensor Module for encoder 1 that cannot be interpreted by the Control Unit firmware. This can occur if the firmware on this component is more recent than the firmware on the Control Unit.</p> <p>Fault value (r0949, interpret decimal): Fault number.</p> <p>Note: If required, the significance of this new fault can be read about in a more recent description of the Control Unit. See also: p0491 (Motor encoder fault response ENCODER)</p>
Remedy:	<ul style="list-style-type: none">- replace the firmware on the Sensor Module by an older firmware version (r0148).- upgrade the firmware on the Control Unit (r0018).
F31905 (N, A)	Encoder 1: Parameterization error
Message class:	Error in the parameterization / configuration / commissioning procedure (18)
Reaction:	ENCODER (IASC/DCBRK, NONE, OFF1, OFF2, OFF3, STOP2)
Acknowledge:	IMMEDIATELY
Cause:	<p>A parameter of encoder 1 was detected as being incorrect. It is possible that the parameterized encoder type does not match the connected encoder. The parameter involved can be determined as follows:</p> <ul style="list-style-type: none">- determine the parameter number using the fault value (r0949).- determine the parameter index (p0187). <p>Fault value (r0949, interpret decimal): yyyyxxxx dec: yyyy = supplementary information, xxxx = parameter xxxx = 421:</p> <p>For an EnDat/SSI encoder, the absolute position in the protocol must be less than or equal to 30 bits.</p> <p>yyyy = 0: No information available.</p> <p>yyyy = 1: The component does not support HTL level (p0405.1 = 0) combined with track monitoring A/B <> -A/B (p0405.2 = 1).</p> <p>yyyy = 2: A code number for an identified encoder has been entered into p0400, however, no identification was carried out. Please start a new encoder identification.</p> <p>yyyy = 3: A code number for an identified encoder has been entered into p0400, however, no identification was carried out. Please select a listed encoder in p0400 with a code number < 10000.</p> <p>yyyy = 4: This component does not support SSI encoders (p0404.9 = 1) without track A/B.</p> <p>yyyy = 5: For SQW encoder, value in p4686 greater than in p0425.</p> <p>yyyy = 6: DRIVE-CLiQ encoder cannot be used with this firmware version.</p> <p>yyyy = 7: For an SQW encoder, the Xact1 correction (p0437.2) is only permitted with equidistant zero marks.</p> <p>yyyy = 8: The motor pole pair width is not supported by the linear scale being used.</p> <p>yyyy = 9: The length of the position in the EnDat protocol may be a maximum of 32 bits.</p> <p>yyyy = 10: The connected encoder is not supported.</p> <p>yyyy = 11: The hardware does not support track monitoring. See also: p0491 (Motor encoder fault response ENCODER)</p>

- Remedy:**
- check whether the connected encoder type matches the encoder that has been parameterized.
 - correct the parameter specified by the fault value (r0949) and p0187.
 - re parameter number = 314:
 - check the pole pair number and measuring gear ratio. The quotient of the "pole pair number" divided by the "measuring gear ratio" must be less than or equal to 1000 ((r0313 * p0433) / p0432 <= 1000).

A31915 (F, N)	Encoder 1: Configuration error
Message class:	Error in the parameterization / configuration / commissioning procedure (18)
Reaction:	NONE
Acknowledge:	NONE
Cause:	The configuration for encoder 1 is incorrect. Alarm value (r2124, interpret decimal): 1: Re-parameterization between fault/alarm is not permissible. 419: When the fine resolution Gx_XIST2 is configured, the encoder identifies a maximum possible absolute position actual value (r0483) that can no longer be represented within 32 bits.
Remedy:	Re alarm value = 1: No re-parameterization between fault/alarm. Re alarm value = 419: Reduce the fine resolution (p0419) or deactivate the monitoring (p0437.25), if the complete multiturn range is not required.

A31930 (N)	Encoder 1: Data logger has saved data
Message class:	Error in the parameterization / configuration / commissioning procedure (18)
Reaction:	NONE
Acknowledge:	NONE
Cause:	For the activated function "Data logger" (p0437.0 = 1) a fault has occurred with the Sensor Module. This alarm indicates that the diagnostics data corresponding to the fault was saved on the memory card. The diagnostics data is saved in the following folder: /USER/SINAMICS/DATA/SMTRC00.BIN ... /USER/SINAMICS/DATA/SMTRC07.BIN /USER/SINAMICS/DATA/SMTRCIDX.TXT The following information is contained in the TXT file: - Display of the last written BIN file. - Number of write operations that are still possible (from 10000 downwards). Note: Only Siemens can evaluate the BIN files.
Remedy:	Not necessary. The alarm disappears automatically. The data logger is ready to record the next fault case.

F31950	Encoder 1: Internal software error
Message class:	Hardware / software error (1)
Reaction:	ENCODER (OFF2)
Acknowledge:	POWER ON
Cause:	An internal software error has occurred. Fault value (r0949, interpret decimal): The fault value contains information regarding the fault source. Only for internal Siemens troubleshooting.
Remedy:	- If necessary, upgrade the firmware in the Sensor Module to a later version. - contact the Hotline.

4 Faults and alarms

4.2 List of faults and alarms

A31999 (F, N)	Encoder 1: Unknown alarm
Message class:	Position/speed actual value incorrect or not available (11)
Reaction:	NONE
Acknowledge:	NONE
Cause:	<p>A alarm has occurred on the Sensor Module for encoder 1 that cannot be interpreted by the Control Unit firmware. This can occur if the firmware on this component is more recent than the firmware on the Control Unit.</p> <p>Alarm value (r2124, interpret decimal): Alarm number.</p> <p>Note: If required, the significance of this new alarm can be read about in a more recent description of the Control Unit. See also: p0491 (Motor encoder fault response ENCODER)</p>
Remedy:	<ul style="list-style-type: none">- replace the firmware on the Sensor Module by an older firmware version (r0148).- upgrade the firmware on the Control Unit (r0018).
<hr/>	
F32100 (N, A)	Encoder 2: Zero mark distance error
Message class:	Position/speed actual value incorrect or not available (11)
Reaction:	OFF1 (IASC/DCBRK, NONE, OFF2, OFF3, STOP2)
Acknowledge:	PULSE INHIBIT
Cause:	<p>The measured zero mark distance does not correspond to the parameterized zero mark distance.</p> <p>For distance-coded encoders, the zero mark distance is determined from zero marks detected pairs. This means that if a zero mark is missing, depending on the pair generation, this cannot result in a fault and also has no effect in the system.</p> <p>The zero mark distance for the zero mark monitoring is set in p0425 (rotary encoder) or p0424 (linear encoder).</p> <p>Fault value (r0949, interpret decimal): Last measured zero mark distance in increments (4 increments = 1 encoder pulse). The sign designates the direction of motion when detecting the zero mark distance.</p>
Remedy:	<ul style="list-style-type: none">- check that the encoder cables are routed in compliance with EMC.- check the plug connections.- check the encoder type (encoder with equidistant zero marks).- adapt the parameter for the distance between zero marks (p0424, p0425).- if message output above speed threshold, reduce filter time if necessary (p0438).- replace the encoder or encoder cable.
<hr/>	
F32101 (N, A)	Encoder 2: Zero mark failed
Message class:	Position/speed actual value incorrect or not available (11)
Reaction:	OFF1 (IASC/DCBRK, NONE, OFF2, OFF3, STOP2)
Acknowledge:	PULSE INHIBIT
Cause:	<p>The 1.5 x parameterized zero mark distance was exceeded.</p> <p>The zero mark distance for the zero mark monitoring is set in p0425 (rotary encoder) or p0424 (linear encoder).</p> <p>Fault value (r0949, interpret decimal): Number of increments after POWER ON or since the last zero mark that was detected (4 increments = 1 encoder pulse).</p>
Remedy:	<ul style="list-style-type: none">- check that the encoder cables are routed in compliance with EMC.- check the plug connections.- check the encoder type (encoder with equidistant zero marks).- adapt the parameter for the clearance between zero marks (p0425).- if message output above speed threshold, reduce filter time if necessary (p0438).- when p0437.1 is active, check p4686.- replace the encoder or encoder cable.

F32103 (N, A)	Encoder 2: Amplitude error track R
Message class:	Position/speed actual value incorrect or not available (11)
Reaction:	OFF1 (IASC/DCBRK, NONE, OFF2, OFF3)
Acknowledge:	IMMEDIATELY
Cause:	<p>The amplitude of the reference track signal (track R) does not lie within the tolerance bandwidth for encoder 2. The fault can be initiated when the unipolar voltage level is exceeded (RP/RN) or if the differential amplitude is undershot.</p> <p>Fault value (r0949, interpret hexadecimal): yyyyxxxx hex: yyyy = 0, xxxx = Signal level, track R (16 bits with sign) The response thresholds of the unipolar signal levels of the encoder are between < 1400 mV and > 3500 mV. The response threshold for the differential signal level of the encoder is < -1600 mV. A signal level of 500 mV peak value corresponds to the numerical value 5333 hex = 21299 dec.</p> <p>Note: The analog value of the amplitude error is not measured at the same time with the hardware fault output by the Sensor Module. The fault value can only be represented between -32768 ... 32767 dec (-770 ... 770 mV). The signal level is not evaluated unless the following conditions are satisfied:</p> <ul style="list-style-type: none">- Sensor Module properties available (r0459.31 = 1).- Monitoring active (p0437.31 = 1).
Remedy:	<ul style="list-style-type: none">- check the speed range; frequency characteristic (amplitude characteristic) of the measuring equipment might not be sufficient for the speed range- check that the encoder cables and shielding are routed in compliance with EMC.- check the plug connections and contacts of the encoder cable.- check the encoder type (encoder with zero marks).- check whether the zero mark is connected and the signal cables RP and RN have been connected correctly.- replace the encoder cable.- if the coding disk is soiled or the lighting aged, replace the encoder.
<hr/>	
F32110 (N, A)	Encoder 2: Serial communications error
Message class:	Position/speed actual value incorrect or not available (11)
Reaction:	OFF1 (IASC/DCBRK, NONE, OFF2, OFF3)
Acknowledge:	PULSE INHIBIT
Cause:	<p>Serial communication protocol transfer error between the encoder and evaluation module.</p> <p>Fault value (r0949, interpret binary):</p> <p>Bit 0: Alarm bit in the position protocol. Bit 1: Incorrect quiescent level on the data line. Bit 2: Encoder does not respond (does not supply a start bit within 50 ms). Bit 3: CRC error: The checksum in the protocol from the encoder does not match the data. Bit 4: Encoder acknowledgement error: The encoder incorrectly understood the task (request) or cannot execute it. Bit 5: Internal error in the serial driver: An illegal mode command was requested. Bit 6: Timeout when cyclically reading. Bit 7: Timeout for the register communication. Bit 8: Protocol is too long (e.g. > 64 bits). Bit 9: Receive buffer overflow. Bit 10: Frame error when reading twice. Bit 11: Parity error. Bit 12: Data line signal level error during the monoflop time. Bit 13: Data line incorrect. Bit 14: Fault for the register communication. Bit 15: Internal communication error.</p> <p>Note: For an EnDat 2.2 encoder, the significance of the fault value for F3x135 (x = 1, 2, 3) is described.</p>
Remedy:	<p>Re fault value, bit 0 = 1:</p> <ul style="list-style-type: none">- Enc defect F31111 may provide additional details.

4 Faults and alarms

4.2 List of faults and alarms

Re fault value, bit 1 = 1:

- Incorrect encoder type / replace the encoder or encoder cable.

Re fault value, bit 2 = 1:

- Incorrect encoder type / replace the encoder or encoder cable.

Re fault value, bit 3 = 1:

- EMC / connect the cable shield, replace the encoder or encoder cable.

Re fault value, bit 4 = 1:

- EMC / connect the cable shield, replace the encoder or encoder cable, replace the Sensor Module.

Re fault value, bit 5 = 1:

- EMC / connect the cable shield, replace the encoder or encoder cable, replace the Sensor Module.

Re fault value, bit 6 = 1:

- Update Sensor Module firmware.

Re fault value, bit 7 = 1:

- Incorrect encoder type / replace the encoder or encoder cable.

Re fault value, bit 8 = 1:

- Check parameterization (p0429.2).

Re fault value, bit 9 = 1:

- EMC / connect the cable shield, replace the encoder or encoder cable, replace the Sensor Module.

Re fault value, bit 10 = 1:

- Check parameterization (p0429.2, p0449).

Re fault value, bit 11 = 1:

- Check parameterization (p0436).

Re fault value, bit 12 = 1:

- Check parameterization (p0429.6).

Re fault value, bit 13 = 1:

- Check data line.

Re fault value, bit 14 = 1:

- Incorrect encoder type / replace the encoder or encoder cable.

F32111 (N, A)

Encoder 2: Absolute encoder internal fault

Message class: Position/speed actual value incorrect or not available (11)

Reaction: OFF1 (IASC/DCBRK, NONE, OFF2, OFF3)

Acknowledge: PULSE INHIBIT

Cause: The absolute encoder fault word supplies fault bits that have been set.

Fault value (r0949, interpret binary):

yyyyxxxx hex: yyyy = supplementary information, xxxx = fault cause

yyyy = 0:

Bit 0: Lighting system failed.

Bit 1: Signal amplitude too low.

Bit 2: Position value incorrect.

Bit 3: Encoder power supply overvoltage condition.

Bit 4: Encoder power supply undervoltage condition.

Bit 5: Encoder power supply overcurrent condition.

Bit 6: The battery must be changed.

yyyy = 1:

Bit 0: Signal amplitude outside the control range.

Bit 1: Error multiturn interface

Bit 2: Internal data error (singleturn/multiturn not with single steps).

Bit 3: Error EEPROM interface.

Bit 4: SAR converter error.

Bit 5: Fault for the register data transfer.

Bit 6: Internal error identified at the error pin (nErr).

Bit 7: Temperature threshold exceeded or fallen below.

Remedy:	<p>For yyyy = 0:</p> <p>Re fault value, bit 0 = 1: Encoder is defective. Replace the encoder, where the motor encoder has a direct DRIVE-CLiQ socket: Replace the motor.</p> <p>Re fault value, bit 1 = 1: Encoder is defective. Replace the encoder, where the motor encoder has a direct DRIVE-CLiQ socket: Replace the motor.</p> <p>Re fault value, bit 2 = 1: Encoder is defective. Replace the encoder, where the motor encoder has a direct DRIVE-CLiQ socket: Replace the motor.</p> <p>Re fault value, bit 3 = 1: 5 V power supply voltage fault. When using an SMC: Check the plug-in cable between the encoder and SMC or replace the SMC. When a motor encoder with a direct DRIVE-CLiQ connection is used: Replace the motor.</p> <p>Re fault value, bit 4 = 1: 5 V power supply voltage fault. When using an SMC: Check the plug-in cable between the encoder and SMC or replace the SMC. When using a motor with DRIVE-CLiQ: Replace the motor.</p> <p>Re fault value, bit 5 = 1: Encoder is defective. Replace the encoder, where the motor encoder has a direct DRIVE-CLiQ socket: Replace the motor.</p> <p>Re fault value, bit 6 = 1: The battery must be changed (only for encoders with battery back-up).</p> <p>For yyyy = 1: Encoder is defective. Replace encoder.</p>
----------------	--

F32115 (N, A)	<p>Encoder 2: Amplitude error track A or B ($A^2 + B^2$)</p> <p>Message class: Position/speed actual value incorrect or not available (11)</p> <p>Reaction: OFF1 (IASC/DCBRK, NONE, OFF2, OFF3)</p> <p>Acknowledge: PULSE INHIBIT</p> <p>Cause: The amplitude (root of $A^2 + B^2$) for encoder 2 exceeds the permissible tolerance. Fault value (r0949, interpret hexadecimal): yyyyxxxx hex: yyyy = Signal level, track B (16 bits with sign). xxxx = Signal level, track A (16 bits with sign). The nominal signal level of the encoder must lie in the range 375 mV to 600 mV (500 mV -25/+20 %). The response thresholds are < 170 mV (observe the frequency response of the encoder) and > 750 mV. A signal level of 500 mV peak value corresponds to the numerical value 5333 hex = 21299 dec. Note for Sensor Modules for resolvers (e.g. SMC10): The nominal signal level is at 2900 mV (2.0 Vrms). The response thresholds are < 1070 mV and > 3582 mV. A signal level of 2900 mV peak value corresponds to the numerical value 6666 hex = 26214 dec. Note when using the internal resolver evaluation (CU250S): The nominal signal level is at 1300 mV. The response thresholds are < 490 mV and > 1616 mV. A signal level of 1300 mV peak value corresponds to the numerical value 2DE6 hex = 11750 dec. Note: The analog values of the amplitude error are not measured at the same time with the hardware fault output by the Sensor Module.</p>
Remedy:	<ul style="list-style-type: none"> - check that the encoder cables and shielding are routed in compliance with EMC. - check the plug connections. - replace the encoder or encoder cable. - check the Sensor Module (e.g. contacts). <p>The following applies to measuring systems without their own bearing system:</p> <ul style="list-style-type: none"> - adjust the scanning head and check the bearing system of the measuring wheel. <p>The following applies for measuring systems with their own bearing system:</p> <ul style="list-style-type: none"> - ensure that the encoder housing is not subject to any axial force.

4 Faults and alarms

4.2 List of faults and alarms

F32116 (N, A)	Encoder 2: Amplitude error monitoring track A + B
Message class:	Position/speed actual value incorrect or not available (11)
Reaction:	OFF1 (IASC/DCBRK, NONE, OFF2, OFF3)
Acknowledge:	IMMEDIATELY
Cause:	<p>The amplitude of the rectified encoder signals A and B and the amplitude from the roots of $A^2 + B^2$ for encoder 2 are not within the tolerance bandwidth.</p> <p>Fault value (r0949, interpret hexadecimal): yyyyxxxx hex: yyyy = Signal level, track B (16 bits with sign). xxxx = Signal level, track A (16 bits with sign).</p> <p>The nominal signal level of the encoder must lie in the range 375 mV to 600 mV (500 mV -25/+20 %). The response thresholds are < 130 mV (observe the frequency response of the encoder) and > 955 mV. A signal level of 500 mV peak value corresponds to the numerical value 5333 hex = 21299 dec.</p> <p>Note: The analog values of the amplitude error are not measured at the same time with the hardware fault output by the Sensor Module.</p>
Remedy:	<ul style="list-style-type: none">- check that the encoder cables and shielding are routed in compliance with EMC.- check the plug connections.- replace the encoder or encoder cable.- check the Sensor Module (e.g. contacts).
<hr/>	
F32117 (N, A)	Encoder 2: Inversion error signals A/B/R
Message class:	Position/speed actual value incorrect or not available (11)
Reaction:	OFF1 (IASC/DCBRK, NONE, OFF2, OFF3)
Acknowledge:	IMMEDIATELY
Cause:	<p>For a square-wave encoder (bipolar, double ended) signals A*, B* and R* are not inverted with respect to signals A, B and R.</p> <p>Fault value (r0949, interpret binary): Bits 0 ... 15: Only for internal Siemens troubleshooting. Bit 16: Error track A. Bit 17: Error track B. Bit 18: Error track R.</p> <p>Note: For SMC30 (order no.. 6SL3055-0AA00-5CA0 and 6SL3055-0AA00-5CA1 only), CUA32, and CU310, the following applies: A square-wave encoder without track R is used and track monitoring (p0405.2 = 1) is activated.</p>
Remedy:	<ul style="list-style-type: none">- Check the encoder/cable.- Does the encoder supply signals and the associated inverted signals? <p>Note: For SMC30 (order no. 6SL3055-0AA00-5CA0 and 6SL3055-0AA00-5CA1 only), the following applies: - check the setting of p0405 (p0405.2 = 1 is only possible if the encoder is connected at X520). For a square-wave encoder without track R, the following jumpers must be set for the connection at X520 (SMC30) or X23 (CUA32, CU310): - pin 10 (reference signal R) <--> pin 7 (encoder power supply, ground) - pin 11 (reference signal R inverted) <--> pin 4 (encoder power supply)</p>
<hr/>	
F32118 (N, A)	Encoder 2: Speed difference outside the tolerance range
Message class:	Position/speed actual value incorrect or not available (11)
Reaction:	OFF1 (IASC/DCBRK, NONE, OFF2, OFF3)
Acknowledge:	PULSE INHIBIT
Cause:	<p>For an HTL/TTL encoder, the speed difference has exceeded the value in p0492 over several sampling cycles. The change to the averaged speed actual value - if applicable - is monitored in the current controller sampling time. Fault value (r0949, interpret decimal): Only for internal Siemens troubleshooting. See also: p0492 (Maximum speed difference per sampling cycle)</p>

- Remedy:**
- check the tachometer feeder cable for interruptions.
 - check the grounding of the tachometer shielding.
 - if required, increase the maximum speed difference per sampling cycle (p0492).

F32120 (N, A)	Encoder 2: Power supply voltage fault
Message class:	Position/speed actual value incorrect or not available (11)
Reaction:	OFF1 (IASC/DCBRK, NONE, OFF2, OFF3)
Acknowledge:	PULSE INHIBIT
Cause:	A power supply fault was detected for encoder 2. Fault value (r0949, interpret binary): Bit 0: Undervoltage condition on the sense line. Bit 1: Overcurrent condition for the encoder power supply. Bit 2: Overcurrent condition for encoder power supply on cable resolver excitation negative. Bit 3: Overcurrent condition for encoder power supply on cable resolver excitation positive. Bit 4: The 24 V power supply through the Power Module (PM) is overloaded. Bit 5: Overcurrent at the EnDat connection of the converter. Bit 6: Overvoltage at the EnDat connection of the converter. Bit 7: Hardware fault at the EnDat connection of the converter. Note: If the encoder cables 6FX2002-2EQ00-.... and 6FX2002-2CH00-.... are interchanged, this can result in the encoder being destroyed because the pins of the operating voltage are reversed.
Remedy:	Re fault value, bit 0 = 1: - correct encoder cable connected? - check the plug connections of the encoder cable. - SMC30: Check the parameterization (p0404.22). Re fault value, bit 1 = 1: - correct encoder cable connected? - replace the encoder or encoder cable. Re fault value, bit 2 = 1: - correct encoder cable connected? - replace the encoder or encoder cable. Re fault value, bit 3 = 1: - correct encoder cable connected? - replace the encoder or encoder cable. Re fault value, bit 5 = 1: - Measuring unit correctly connected at the converter? - Replace the measuring unit or the cable to the measuring unit. Re fault value, bit 6, 7 = 1: - Replace the defective EnDat 2.2 converter.

F32121 (N, A)	Encoder 2: Coarse position error
Message class:	Position/speed actual value incorrect or not available (11)
Reaction:	OFF1 (NONE, OFF2, OFF3)
Acknowledge:	PULSE INHIBIT
Cause:	For the actual value sensing, an error was detected on the module. As a result of this error, it must be assumed that the actual value sensing supplies an incorrect coarse position.
Remedy:	Replace the motor with DRIVE-CLiQ or the appropriate Sensor Module.

F32122	Encoder 2: Internal power supply voltage faulty
Message class:	Supply voltage fault (undervoltage) (3)
Reaction:	OFF1
Acknowledge:	IMMEDIATELY
Cause:	Fault in internal reference voltage of ASICs for encoder 2. Fault value (r0949, interpret decimal): 1: Reference voltage error. 2: Internal undervoltage. 3: Internal overvoltage.
Remedy:	Replace the motor with DRIVE-CLiQ or the appropriate Sensor Module.
F32123 (N, A)	Encoder 2: Signal level A/B unipolar outside tolerance
Message class:	Position/speed actual value incorrect or not available (11)
Reaction:	OFF1 (IASC/DCBRK, NONE, OFF2, OFF3)
Acknowledge:	IMMEDIATELY
Cause:	The unipolar level (AP/AN or BP/BN) for encoder 2 is outside the permissible tolerance. Fault value (r0949, interpret binary): Bit 0 = 1: Either AP or AN outside the tolerance. Bit 16 = 1: Either BP or BN outside the tolerance. The unipolar nominal signal level of the encoder must lie in the range 2500 mV +/- 500 mV. The response thresholds are < 1700 mV and > 3300 mV. Note: The signal level is not evaluated unless the following conditions are satisfied: - Sensor Module properties available (r0459.31 = 1). - Monitoring active (p0437.31 = 1).
Remedy:	- make sure that the encoder cables and shielding are installed in an EMC-compliant manner. - check the plug connections and contacts of the encoder cable. - check the short-circuit of a signal cable with mass or the operating voltage. - replace the encoder cable.
F32125 (N, A)	Encoder 2: Amplitude error track A or B overcontrolled
Message class:	Position/speed actual value incorrect or not available (11)
Reaction:	OFF1 (IASC/DCBRK, NONE, OFF2, OFF3, STOP2)
Acknowledge:	PULSE INHIBIT
Cause:	The amplitude of track A or B for encoder 2 exceeds the permissible tolerance band. Fault value (r0949, interpret hexadecimal): yyyyxxxx hex: yyyy = Signal level, track B (16 bits with sign). xxxx = Signal level, track A (16 bits with sign). The nominal signal level of the encoder must lie in the range 375 mV to 600 mV (500 mV -25/+20 %). The response threshold is > 750 mV. This fault also occurs if the A/D converter is overcontrolled. A signal level of 500 mV peak value corresponds to the numerical value 5333 hex = 21299 dec. Note for Sensor Modules for resolvers (e.g. SMC10): The nominal signal level is at 2900 mV (2.0 Vrms). The response threshold is > 3582 mV. A signal level of 2900 mV peak value corresponds to the numerical value 6666 hex = 26214 dec. Note when using the internal resolver evaluation (CU250S): The nominal signal level is at 1300 mV. The response threshold is > 1616 mV. A signal level of 1300 mV peak value corresponds to the numerical value 2DE6 hex = 11750 dec. Note: The analog values of the amplitude error are not measured at the same time with the hardware fault output by the Sensor Module.
Remedy:	- check that the encoder cables and shielding are routed in compliance with EMC. - replace the encoder or encoder cable.

F32126 (N, A)	Encoder 2: Amplitude AB too high
Message class:	Position/speed actual value incorrect or not available (11)
Reaction:	OFF1 (IASC/DCBRK, NONE, OFF2, OFF3, STOP2)
Acknowledge:	PULSE INHIBIT
Cause:	<p>The amplitude (root of $A^2 + B^2$ or $A + B$) for encoder 2 exceeds the permissible tolerance.</p> <p>Fault value (r0949, interpret hexadecimal): yyyyxxxx hex: yyyy = Angle xxxx = Amplitude, i.e. root from $A^2 + B^2$ (16 bits without sign)</p> <p>The nominal signal level of the encoder must lie in the range 375 mV to 600 mV (500 mV -25/+20 %).</p> <p>The response threshold for ($A + B$) is > 1120 mV or the root of ($A^2 + B^2$) > 955 mV.</p> <p>A signal level of 500 mV peak value corresponds to the numerical value of 299A hex = 10650 dec.</p> <p>The angle 0 ... FFFF hex corresponds to 0 ... 360 degrees of the fine position. Zero degrees is present at the negative zero crossover of track B.</p> <p>Note: The analog values of the amplitude error are not measured at the same time with the hardware fault output by the Sensor Module.</p>
Remedy:	<ul style="list-style-type: none"> - check that the encoder cables and shielding are routed in compliance with EMC. - replace the encoder or encoder cable.
<hr/>	
F32129 (N, A)	Encoder 2: Position difference hall sensor/track C/D and A/B too large
Message class:	Position/speed actual value incorrect or not available (11)
Reaction:	OFF1 (IASC/DCBRK, NONE, OFF2, OFF3)
Acknowledge:	PULSE INHIBIT
Cause:	<p>The error for track C/D is greater than $\pm 15^\circ$ mechanical or $\pm 60^\circ$ electrical or the error for the Hall signals is greater than $\pm 60^\circ$ electrical.</p> <p>One period of track C/D corresponds to 360° mechanical.</p> <p>One period of the Hall signal corresponds to 360° electrical.</p> <p>The monitoring responds if, for example, Hall sensors are connected as equivalent for the C/D tracks with the incorrect rotational sense or supply values that are not accurate enough.</p> <p>After the fine synchronization using one reference mark or 2 reference marks for distance-coded encoders, this fault is no longer initiated, but instead, Alarm A32429.</p> <p>Fault value (r0949, interpret decimal): For track C/D, the following applies: Measured deviation as mechanical angle (16 bits with sign, 182 dec corresponds to 1°).</p> <p>For Hall signals, the following applies: Measured deviation as electrical angle (16 bits with sign, 182 dec corresponds to 1°).</p>
Remedy:	<ul style="list-style-type: none"> - track C or D not connected. - correct the direction of rotation of the Hall sensor possibly connected as equivalent for track C/D. - check that the encoder cables are routed in compliance with EMC. - check the adjustment of the Hall sensor.
<hr/>	
F32130 (N, A)	Encoder 2: Zero mark and position error from the coarse synchronization
Message class:	Position/speed actual value incorrect or not available (11)
Reaction:	OFF1 (IASC/DCBRK, NONE, OFF2, OFF3, STOP2)
Acknowledge:	PULSE INHIBIT
Cause:	<p>After initializing the pole position using track C/D, Hall signals or pole position identification routine, the zero mark was detected outside the permissible range. For distance-coded encoders, the test is carried out after passing 2 zero marks. Fine synchronization was not carried out.</p> <p>When initializing via track C/D (p0404) then it is checked whether the zero mark occurs in an angular range of $\pm 18^\circ$ mechanical.</p> <p>When initializing via Hall sensors (p0404) or pole position identification (p1982) it is checked whether the zero mark occurs in an angular range of $\pm 60^\circ$ electrical.</p>

4 Faults and alarms

4.2 List of faults and alarms

Fault value (r0949, interpret hexadecimal):

yyyyxxxx hex

yyyy: Determined mechanical zero mark position (can only be used for track C/D).

xxxx: Deviation of the zero mark from the expected position as electrical angle.

Scaling: 32768 dec = 180 °

Remedy:

- check that the encoder cables are routed in compliance with EMC.
- check the plug connections.
- if the Hall sensor is used as an equivalent for track C/D, check the connection.
- Check the connection of track C or D.
- replace the encoder or encoder cable.

F32131 (N, A)

Encoder 2: Deviation position incremental/absolute too large

Message class:

Position/speed actual value incorrect or not available (11)

Reaction:

OFF1 (IASC/DCBRK, NONE, OFF2, OFF3, STOP2)

Acknowledge:

PULSE INHIBIT

Cause:

Absolute encoder:

When cyclically reading the absolute position, an excessively high difference to the incremental position was detected. The absolute position that was read is rejected.

Limit value for the deviation:

- EnDat encoder: Is supplied from the encoder and is a minimum of 2 quadrants (e.g. EQI 1325 > 2 quadrants, EQN 1325 > 50 quadrants).

- other encoders: 15 pulses = 60 quadrants.

Incremental encoder:

When the zero pulse is passed, a deviation in the incremental position was detected.

For equidistant zero marks, the following applies:

- The first zero mark passed supplies the reference point for all subsequent checks. The other zero marks must have n times the distance referred to the first zero mark.

For distance-coded zero marks, the following applies:

- the first zero mark pair supplies the reference point for all subsequent checks. The other zero mark pairs must have the expected distance to the first zero mark pair.

Fault value (r0949, interpret decimal):

Deviation in quadrants (1 pulse = 4 quadrants).

Remedy:

- check that the encoder cables are routed in compliance with EMC.
- check the plug connections.
- replace the encoder or encoder cable.
- check whether the coding disk is dirty or there are strong ambient magnetic fields.
- adapt the parameter for the clearance between zero marks (p0425).
- if message output above speed threshold, reduce filter time if necessary (p0438).

F32135

Encoder 2: Fault when determining the position

Message class:

Position/speed actual value incorrect or not available (11)

Reaction:

OFF1 (IASC/DCBRK, NONE, OFF2, OFF3)

Acknowledge:

PULSE INHIBIT

Cause:

The encoder supplies status information bit by bit in an internal status/fault word.

Some of these bits cause this fault to be triggered. Other bits are status displays. The status/fault word is displayed in the fault value.

Note regarding the bit designation:

The first designation is valid for DRIVE-CLiQ encoders, the second for EnDat 2.2 encoders.

Fault value (r0949, interpret binary):

Bit 0: F1 (safety status display).

Bit 1: F2 (safety status display).

Bit 2: Reserved (lighting).

Bit 3: Reserved (signal amplitude).

Bit 4: Reserved (position value).

Bit 5: Reserved (overvoltage).

Bit 6: Reserved (undervoltage)/hardware fault EnDat supply (--> F3x110, x = 1, 2, 3).

Bit 7: Reserved (overcurrent)/EnDat encoder withdrawn when not in the parked state (--> F3x110, x = 1, 2, 3).
 Bit 8: Reserved (battery)/overcurrent EnDat supply (--> F3x110, x = 1, 2, 3).
 Bit 9: Reserved/overvoltage EnDat supply (--> F3x110, x = 1, 2, 3).
 Bit 11: Reserved/internal communication error (--> F3x110, x = 1, 2, 3).
 Bit 12: Reserved/internal communication error (--> F3x110, x = 1, 2, 3).
 Bit 13: Reserved/internal communication error (--> F3x110, x = 1, 2, 3).
 Bit 14: Reserved/internal communication error (--> F3x110, x = 1, 2, 3).
 Bit 15: Internal communication error (--> F3x110, x = 1, 2, 3).
 Bit 16: Lighting (--> F3x135, x = 1, 2, 3).
 Bit 17: Signal amplitude (--> F3x135, x = 1, 2, 3).
 Bit 18: Singleturn position 1 (--> F3x135, x = 1, 2, 3).
 Bit 19: Overvoltage (--> F3x135, x = 1, 2, 3).
 Bit 20: Undervoltage (--> F3x135, x = 1, 2, 3).
 Bit 21: Overcurrent (--> F3x135, x = 1, 2, 3).
 Bit 22: Temperature exceeded (--> F3x405, x = 1, 2, 3).
 Bit 23: Singleturn position 2 (safety status display).
 Bit 24: Singleturn system (--> F3x135, x = 1, 2, 3).
 Bit 25: Singleturn power down (--> F3x135, x = 1, 2, 3).
 Bit 26: Multiturn position 1 (--> F3x136, x = 1, 2, 3).
 Bit 27: Multiturn position 2 (--> F3x136, x = 1, 2, 3).
 Bit 28: Multiturn system (--> F3x136, x = 1, 2, 3).
 Bit 29: Multiturn power down (--> F3x136, x = 1, 2, 3).
 Bit 30: Multiturn overflow/underflow (--> F3x136, x = 1, 2, 3).
 Bit 31: Multiturn battery (reserved).

Remedy:
 - determine the detailed cause of the fault using the fault value.
 - replace the encoder if necessary.

Note:

An EnDat 2.2 encoder may only be removed and inserted in the "Park" state.

If an EnDat 2.2 encoder was removed when not in the "Park" state, then after inserting the encoder, a POWER ON (switch-off/on) is necessary to acknowledge the fault.

F32136 Encoder 2: Error when determining multiturn information

Message class: Position/speed actual value incorrect or not available (11)
Reaction: OFF1 (IASC/DCBRK, NONE, OFF2, OFF3)
Acknowledge: PULSE INHIBIT
Cause: The encoder supplies status information bit by bit in an internal status/fault word.
 Some of these bits cause this fault to be triggered. Other bits are status displays. The status/fault word is displayed in the fault value.
 Note regarding the bit designation:
 The first designation is valid for DRIVE-CLiQ encoders, the second for EnDat 2.2 encoders.
 Fault value (r0949, interpret binary):
 Bit 0: F1 (safety status display).
 Bit 1: F2 (safety status display).
 Bit 2: Reserved (lighting).
 Bit 3: Reserved (signal amplitude).
 Bit 4: Reserved (position value).
 Bit 5: Reserved (overvoltage).
 Bit 6: Reserved (undervoltage)/hardware fault EnDat supply (--> F3x110, x = 1, 2, 3).
 Bit 7: Reserved (overcurrent)/EnDat encoder withdrawn when not in the parked state (--> F3x110, x = 1, 2, 3).
 Bit 8: Reserved (battery)/overcurrent EnDat supply (--> F3x110, x = 1, 2, 3).
 Bit 9: Reserved/overvoltage EnDat supply (--> F3x110, x = 1, 2, 3).
 Bit 11: Reserved/internal communication error (--> F3x110, x = 1, 2, 3).
 Bit 12: Reserved/internal communication error (--> F3x110, x = 1, 2, 3).
 Bit 13: Reserved/internal communication error (--> F3x110, x = 1, 2, 3).
 Bit 14: Reserved/internal communication error (--> F3x110, x = 1, 2, 3).

Bit 15: Internal communication error (--> F3x110, x = 1, 2, 3).
Bit 16: Lighting (--> F3x135, x = 1, 2, 3).
Bit 17: Signal amplitude (--> F3x135, x = 1, 2, 3).
Bit 18: Singleturn position 1 (--> F3x135, x = 1, 2, 3).
Bit 19: Overvoltage (--> F3x135, x = 1, 2, 3).
Bit 20: Undervoltage (--> F3x135, x = 1, 2, 3).
Bit 21: Overcurrent (--> F3x135, x = 1, 2, 3).
Bit 22: Temperature exceeded (--> F3x405, x = 1, 2, 3).
Bit 23: Singleturn position 2 (safety status display).
Bit 24: Singleturn system (--> F3x135, x = 1, 2, 3).
Bit 25: Singleturn power down (--> F3x135, x = 1, 2, 3).
Bit 26: Multiturn position 1 (--> F3x136, x = 1, 2, 3).
Bit 27: Multiturn position 2 (--> F3x136, x = 1, 2, 3).
Bit 28: Multiturn system (--> F3x136, x = 1, 2, 3).
Bit 29: Multiturn power down (--> F3x136, x = 1, 2, 3).
Bit 30: Multiturn overflow/underflow (--> F3x136, x = 1, 2, 3).
Bit 31: Multiturn battery (reserved).

Remedy:

- determine the detailed cause of the fault using the fault value.
- replace the encoder if necessary.

Note:

An EnDat 2.2 encoder may only be removed and inserted in the "Park" state.

If an EnDat 2.2 encoder was removed when not in the "Park" state, then after inserting the encoder, a POWER ON (switch-off/on) is necessary to acknowledge the fault.

F32137

Encoder 2: Internal fault when determining the position

Message class:

Hardware / software error (1)

Reaction:

OFF1 (IASC/DCBRK, NONE, OFF2, OFF3)

Acknowledge:

PULSE INHIBIT

Cause:

A position determination fault has occurred in the DRIVE-CLiQ encoder.

Fault value (r0949, interpret binary):

yyxxxxxx hex: yy = encoder version, xxxxxx = bit coding of the fault cause

For yy = 08 hex (bit 27 = 1), the following bit definition applies:

Bit 1: Signal monitoring (sin/cos).

Bit 8: F1 (safety status display) fault position word 1.

Bit 9: F2 (safety status display) fault position word 2.

Bit 16: LED monitoring iC-LG (opto ASIC).

Bit 17: Fault in the multiturn.

Bit 23: Temperature outside the limit values.

Note:

For an encoder version that is not described here, please contact the encoder manufacturer for more detailed information on the bit coding.

Remedy:

- determine the detailed cause of the fault using the fault value.
- if required, replace the DRIVE-CLiQ encoder.

F32138

Encoder 2: Internal error when determining multiturn information

Message class:

Hardware / software error (1)

Reaction:

OFF1 (IASC/DCBRK, NONE, OFF2, OFF3)

Acknowledge:

PULSE INHIBIT

Cause:

A position determination fault has occurred in the DRIVE-CLiQ encoder.

Fault value (r0949, interpret binary):

yyxxxxxx hex: yy = encoder version, xxxxxx = bit coding of the fault cause

For yy = 08 hex (bit 27 = 1), the following bit definition applies:

Bit 1: Signal monitoring (sin/cos).

Bit 8: F1 (safety status display) fault position word 1.

Bit 9: F2 (safety status display) fault position word 2.

Bit 16: LED monitoring iC-LG (opto ASIC).

Bit 17: Fault in the multiturn.
Bit 23: Temperature outside the limit values.
Note:
For an encoder version that is not described here, please contact the encoder manufacturer for more detailed information on the bit coding.

Remedy:

- determine the detailed cause of the fault using the fault value.
- if required, replace the DRIVE-CLiQ encoder.

F32142 (N, A) Encoder 2: Battery voltage fault

Message class: Error in the parameterization / configuration / commissioning procedure (18)
Reaction: OFF1 (IASC/DCBRK, NONE, OFF2, OFF3, STOP2)
Acknowledge: IMMEDIATELY
Cause: When switched-off, the encoder uses a battery to back up the multiturn information. The battery voltage is no longer sufficient to check the multiturn information.
Remedy: Replace battery.

F32150 (N, A) Encoder 2: Initialization error

Message class: Error in the parameterization / configuration / commissioning procedure (18)
Reaction: OFF1 (IASC/DCBRK, NONE, OFF2, OFF3, STOP2)
Acknowledge: PULSE INHIBIT
Cause: Encoder functionality selected in p0404 is not operating correctly.
Fault value (r0949, interpret hexadecimal):
Encoder malfunction.
The bit assignment corresponds to that of p0404 (e.g. bit 5 set: Error track C/D).
Remedy:

- Check that p0404 is correctly set.
- check the encoder type used (incremental/absolute) and for SMCxx, the encoder cable.
- if relevant, note additional fault messages that describe the fault in detail.

F32151 (N, A) Encoder 2: Encoder speed for initialization AB too high

Message class: Error in the parameterization / configuration / commissioning procedure (18)
Reaction: OFF1 (IASC/DCBRK, NONE, OFF2, OFF3, STOP2)
Acknowledge: PULSE INHIBIT
Cause: The encoder speed is too high while initializing the Sensor Module.
Remedy: Reduce the speed of the encoder accordingly during initialization.
If necessary, de-activate monitoring (p0437.29).
See also: p0437 (Sensor Module configuration extended)

F32152 (N, A) Encoder 2: Maximum input frequency exceeded

Message class: Error in the parameterization / configuration / commissioning procedure (18)
Reaction: OFF1 (IASC/DCBRK, NONE, OFF2, OFF3, STOP2)
Acknowledge: PULSE INHIBIT
Cause: The maximum input frequency of the encoder evaluation has been exceeded.
Fault value (r0949, interpret decimal):
Actual input frequency in Hz.
See also: p0408 (Rotary encoder pulse number)
Remedy:

- Reduce the speed.
- Use an encoder with a lower pulse number (p0408).

F32153 (N, A) Encoder 2: Identification error

Message class: Error in the parameterization / configuration / commissioning procedure (18)
Reaction: NONE
Acknowledge: IMMEDIATELY
Cause: An error has occurred when identifying the encoder (waiting) p0400=10100.
The connected encoder was not able to be identified.
Fault value (r0949, interpret hexadecimal):
Bit 0: Data length incorrect

4 Faults and alarms

4.2 List of faults and alarms

See also: p0400 (Encoder type selection)

Remedy: Manually configure the encoder according to the data sheet.

F32160 (N, A)	Encoder 2: Analog sensor channel A failed
Message class:	Position/speed actual value incorrect or not available (11)
Reaction:	OFF1 (IASC/DCBRK, NONE)
Acknowledge:	PULSE INHIBIT
Cause:	The input voltage of the analog sensor is outside the permissible limits. Fault value (r0949, interpret decimal): 1: Input voltage outside detectable measuring range. 2: Input voltage outside the measuring range set in (p4673). 3: The absolute value of the input voltage has exceeded the range limit (p4676).
Remedy:	For fault value = 1: - check the output voltage of the analog sensor. For fault value = 2: - check the voltage setting for each encoder period (p4673). For fault value = 3: - check the range limit setting and increase it if necessary (p4676).

F32161 (N, A)	Encoder 2: Analog sensor channel B failed
Message class:	Position/speed actual value incorrect or not available (11)
Reaction:	OFF1 (IASC/DCBRK, NONE)
Acknowledge:	PULSE INHIBIT
Cause:	The input voltage of the analog sensor is outside the permissible limits. Fault value (r0949, interpret decimal): 1: Input voltage outside detectable measuring range. 2: Input voltage outside the measuring range set in (p4675). 3: The absolute value of the input voltage has exceeded the range limit (p4676).
Remedy:	For fault value = 1: - check the output voltage of the analog sensor. For fault value = 2: - check the voltage setting for each encoder period (p4675). For fault value = 3: - check the range limit setting and increase it if necessary (p4676).

F32163 (N, A)	Encoder 2: Analog sensor position value exceeds limit value
Message class:	Position/speed actual value incorrect or not available (11)
Reaction:	OFF1 (IASC/DCBRK, NONE)
Acknowledge:	PULSE INHIBIT
Cause:	The position value has exceeded the permissible range of -0.5 ... +0.5. Fault value (r0949, interpret decimal): 1: Position value from the LVDT sensor. 2: Position value from the encoder characteristic.
Remedy:	For fault value = 1: - Check the LVDT ratio (p4678). - check the reference signal connection at track B. For fault value = 2: - check the coefficients of the characteristic (p4663 ... p4666).

A32400 (F, N)	Encoder 2: Alarm threshold zero mark distance error
Message class:	Position/speed actual value incorrect or not available (11)
Reaction:	NONE
Acknowledge:	NONE
Cause:	The measured zero mark distance does not correspond to the parameterized zero mark distance. For distance-coded encoders, the zero mark distance is determined from zero marks detected pairs. This means that if a zero mark is missing, depending on the pair generation, this cannot result in a fault and also has no effect in the system. The zero mark distance for the zero mark monitoring is set in p0425 (rotary encoder) or p0424 (linear encoder). Alarm value (r2124, interpret decimal): Last measured zero mark distance in increments (4 increments = 1 encoder pulse). The sign designates the direction of motion when detecting the zero mark distance.
Remedy:	<ul style="list-style-type: none">- check that the encoder cables are routed in compliance with EMC.- check the plug connections.- check the encoder type (encoder with equidistant zero marks).- adapt the parameter for the distance between zero marks (p0424, p0425).- replace the encoder or encoder cable.
<hr/>	
A32401 (F, N)	Encoder 2: Alarm threshold zero mark failed
Message class:	Position/speed actual value incorrect or not available (11)
Reaction:	NONE
Acknowledge:	NONE
Cause:	The 1.5 x parameterized zero mark distance was exceeded. The zero mark distance for the zero mark monitoring is set in p0425 (rotary encoder) or p0424 (linear encoder). Alarm value (r2124, interpret decimal): Number of increments after POWER ON or since the last zero mark that was detected (4 increments = 1 encoder pulse).
Remedy:	<ul style="list-style-type: none">- check that the encoder cables are routed in compliance with EMC.- check the plug connections.- check the encoder type (encoder with equidistant zero marks).- adapt the parameter for the clearance between zero marks (p0425).- replace the encoder or encoder cable.
<hr/>	
F32405 (N, A)	Encoder 2: Temperature in the encoder evaluation inadmissible
Message class:	Overtemperature of the electronic components (6)
Reaction:	OFF1 (IASC/DCBRK, NONE, OFF2, OFF3, STOP2)
Acknowledge:	IMMEDIATELY (POWER ON)
Cause:	The encoder evaluation for a motor with DRIVE-CLiQ has detected an inadmissible temperature. The fault threshold is 125 ° C. Alarm value (r2124, interpret decimal): Measured board/module temperature in 0.1 °C.
Remedy:	Reduce the ambient temperature for the DRIVE-CLiQ connection of the motor.
<hr/>	
A32407 (F, N)	Encoder 2: Function limit reached
Message class:	Position/speed actual value incorrect or not available (11)
Reaction:	NONE
Acknowledge:	NONE
Cause:	The encoder has reached one of its function limits. A service is recommended. Alarm value (r2124, interpret decimal): 1 : Incremental signals 3 : Absolute track 4 : Code connection

4 Faults and alarms

4.2 List of faults and alarms

Remedy: Perform service. Replace the encoder if necessary.
Note:
The actual functional reserve of an encoder can be displayed via r4651.
See also: p4650 (Encoder functional reserve component number), r4651 (Encoder functional reserve)

A32410 (F, N) Encoder 2: Serial communications
Message class: Position/speed actual value incorrect or not available (11)
Reaction: NONE
Acknowledge: NONE
Cause: Serial communication protocol transfer error between the encoder and evaluation module.
Alarm value (r2124, interpret binary):
Bit 0: Alarm bit in the position protocol.
Bit 1: Incorrect quiescent level on the data line.
Bit 2: Encoder does not respond (does not supply a start bit within 50 ms).
Bit 3: CRC error: The checksum in the protocol from the encoder does not match the data.
Bit 4: Encoder acknowledgement error: The encoder incorrectly understood the task (request) or cannot execute it.
Bit 5: Internal error in the serial driver: An illegal mode command was requested.
Bit 6: Timeout when cyclically reading.
Bit 8: Protocol is too long (e.g. > 64 bits).
Bit 9: Receive buffer overflow.
Bit 10: Frame error when reading twice.
Bit 11: Parity error.
Bit 12: Data line signal level error during the monoflop time.
Remedy:
- check that the encoder cables are routed in compliance with EMC.
- check the plug connections.
- replace encoder.

A32411 (F, N) Encoder 2: Absolute encoder signals internal alarms
Message class: Position/speed actual value incorrect or not available (11)
Reaction: NONE
Acknowledge: NONE
Cause: The absolute encoder fault word includes alarm bits that have been set.
Alarm value (r2124, interpret binary):
yyyyxxxx hex: yyyy = supplementary information, xxxx = fault cause
yyyy = 0:
Bit 0: Frequency exceeded (speed too high).
Bit 1: Temperature exceeded.
Bit 2: Control reserve, lighting system exceeded.
Bit 3: Battery discharged.
Bit 4: Reference point passed.
yyyy = 1:
Bit 0: Signal amplitude outside the control range.
Bit 1: Error multiturn interface
Bit 2: Internal data error (singleturn/multiturn not with single steps).
Bit 3: Error EEPROM interface.
Bit 4: SAR converter error.
Bit 5: Fault for the register data transfer.
Bit 6: Internal error identified at the error pin (nErr).
Bit 7: Temperature threshold exceeded or fallen below.
Remedy: Replace encoder.

A32412 (F, N)	Encoder 2: Error bit set in the serial protocol
Message class:	Position/speed actual value incorrect or not available (11)
Reaction:	NONE
Acknowledge:	NONE
Cause:	The encoder sends a set error bit via the serial protocol. Alarm value (r2124, interpret binary): Bit 0: Fault bit in the position protocol. Bit 1: Alarm bit in the position protocol.
Remedy:	- carry out a POWER ON (power off/on) for all components. - check that the encoder cables are routed in compliance with EMC. - check the plug connections. - replace encoder.
<hr/>	
A32414 (F, N)	Encoder 2: Amplitude error track C or D (C² + D²)
Message class:	Position/speed actual value incorrect or not available (11)
Reaction:	NONE
Acknowledge:	NONE
Cause:	The amplitude (C ² + D ²) of track C or D of the encoder or from the Hall signals, is not within the tolerance bandwidth. Alarm value (r2124, interpret hexadecimal): yyyyxxxx hex: yyyy = Signal level, track D (16 bits with sign). xxxx = Signal level, track C (16 bits with sign). The nominal signal level of the encoder must lie in the range 375 mV to 600 mV (500 mV -25/+20 %). The response thresholds are < 230 mV (observe the frequency response of the encoder) and > 750 mV. A signal level of 500 mV peak value corresponds to the numerical value 5333 hex = 21299 dec. Note: If the amplitude is not within the tolerance bandwidth, then it cannot be used to initialize the start position.
Remedy:	- check that the encoder cables are routed in compliance with EMC. - check the plug connections. - replace the encoder or encoder cable. - check the Sensor Module (e.g. contacts). - check the Hall sensor box.
<hr/>	
N32415 (F, A)	Encoder 2: Amplitude alarm track A or B (A² + B²)
Message class:	Position/speed actual value incorrect or not available (11)
Reaction:	NONE
Acknowledge:	NONE
Cause:	The amplitude (root of A ² + B ²) for encoder 2 exceeds the permissible tolerance. Alarm value (r2124, interpret hexadecimal): yyyyxxxx hex: yyyy = Angle xxxx = Amplitude, i.e. root from A ² + B ² (16 bits without sign) The nominal signal level of the encoder must lie in the range 375 mV to 600 mV (500 mV -25/+20 %). The response threshold is < 230 mV (observe the frequency response of the encoder). A signal level of 500 mV peak value corresponds to the numerical value 299A hex = 10650 dec. The angle 0 ... FFFF hex corresponds to 0 ... 360 degrees of the fine position. Zero degrees is present at the negative zero crossover of track B. Note for Sensor Modules for resolvers (e.g. SMC10): The nominal signal level is at 2900 mV (2.0 Vrms). The response threshold is < 1414 mV (1.0 Vrms). A signal level of 2900 mV peak value corresponds to the numerical value 3333 hex = 13107 dec. Note when using the internal resolver evaluation (CU250S): The nominal signal level is at 1300 mV. The response threshold is < 650 mV. A signal level of 1300 mV peak value corresponds to the numerical value 16F3 hex = 5875 dec.

4 Faults and alarms

4.2 List of faults and alarms

Note:

The analog values of the amplitude error are not measured at the same time with the hardware fault output by the Sensor Module.

- Remedy:**
- check the speed range, frequency characteristic (amplitude characteristic) of the measuring equipment is not sufficient for the speed range.
 - check that the encoder cables and shielding are routed in compliance with EMC.
 - check the plug connections.
 - replace the encoder or encoder cable.
 - check the Sensor Module (e.g. contacts).
 - if the coding disk is soiled or the lighting aged, replace the encoder.

A32418 (F, N) Encoder 2: Speed difference per sampling rate exceeded

Message class: Position/speed actual value incorrect or not available (11)

Reaction: NONE

Acknowledge: NONE

Cause: For an HTL/TTL encoder, the speed difference between two sampling cycles has exceeded the value in p0492. The change to the averaged speed actual value - if applicable - is monitored in the current controller sampling time. Alarm value (r2124, interpret decimal): Only for internal Siemens troubleshooting. See also: p0492 (Maximum speed difference per sampling cycle)

- Remedy:**
- check the tachometer feeder cable for interruptions.
 - check the grounding of the tachometer shielding.
 - if required, increase the setting of p0492.

A32419 (F, N) Encoder 2: Track A or B outside tolerance

Message class: Position/speed actual value incorrect or not available (11)

Reaction: NONE

Acknowledge: NONE

Cause: The amplitude/phase/offset correction for track A or B is at the limit. Amplitude error correction: $\text{Amplitude B} / \text{Amplitude A} = 0.78 \dots 1.27$
Phase: <84 degrees or >96 degrees
SMC20: Offset correction: +/-140 mV
SMC10: Offset correction: +/-650 mV
Alarm value (r2124, interpret hexadecimal):
xxxx1: Minimum of the offset correction, track B
xxxx2: Maximum of the offset correction, track B
xxx1x: Minimum of the offset correction, track A
xxx2x: Maximum of the offset correction, track A
xx1xx: Minimum of the amplitude correction, track B/A
xx2xx: Maximum of the amplitude correction, track B/A
x1xxx: Minimum of the phase error correction
x2xxx: Maximum of the phase error correction
1xxxx: Minimum of the cubic correction
2xxxx: Maximum of the cubic correction

- Remedy:**
- check mechanical mounting tolerances for encoders without their own bearings (e.g. toothed-wheel encoders).
 - check the plug connections (also the transition resistance).
 - check the encoder signals.
 - replace the encoder or encoder cable.

A32421 (F, N) Encoder 2: Coarse position error

Message class: Position/speed actual value incorrect or not available (11)

Reaction: NONE

Acknowledge: NONE

Cause: For the actual value sensing, an error was detected. As a result of this error, it must be assumed that the actual value sensing supplies an incorrect coarse position.

Alarm value (r2124, interpret decimal):

3: The absolute position of the serial protocol and track A/B differ by half an encoder pulse. The absolute position must have its zero position in the quadrants in which both tracks are negative. In the case of a fault, the position can be incorrect by one encoder pulse.

Remedy:

Re alarm value = 3:

- For a standard encoder with cable, contact the manufacturer where relevant.
- correct the assignment of the tracks to the position value that is serially transferred. To do this, the two tracks must be connected, inverted, at the Sensor Module (interchange A with A* and B with B*) or, for a programmable encoder, check the zero offset of the position.

A32422 (F, N) Encoder 2: Pulses per revolution square-wave encoder outside tolerance bandwidth

Message class: Position/speed actual value incorrect or not available (11)

Reaction: NONE

Acknowledge: NONE

Cause: The measured zero mark distance does not correspond to the parameterized zero mark distance.

This alarm is triggered with active square-wave encoder PPR correction and re-parameterized fault 31131 if the accumulator contains larger values than p4683 or p4684.

The zero mark distance for zero mark monitoring is set in p0425 (rotary encoder).

Alarm value (r2124, interpret decimal):

accumulated differential pulses in encoder pulses.

Remedy:

- check that the encoder cables are routed in compliance with EMC.
- check the plug connections.
- check the encoder type (encoder with equidistant zero marks).
- adapt the parameter for the distance between zero marks (p0424, p0425).
- replace the encoder or encoder cable.

A32429 (F, N) Encoder 2: Position difference hall sensor/track C/D and A/B too large

Message class: Position/speed actual value incorrect or not available (11)

Reaction: NONE

Acknowledge: NONE

Cause: The error for track C/D is greater than +/-15 ° mechanical or +/-60 ° electrical or the error for the Hall signals is greater than +/-60 ° electrical.

One period of track C/D corresponds to 360 ° mechanical.

One period of the Hall signal corresponds to 360 ° electrical.

The monitoring responds if, for example, Hall sensors are connected as equivalent for the C/D tracks with the incorrect rotational sense or supply values that are not accurate enough.

Alarm value (r2124, interpret decimal):

For track C/D, the following applies:

Measured deviation as mechanical angle (16 bits with sign, 182 dec corresponds to 1 °).

For Hall signals, the following applies:

Measured deviation as electrical angle (16 bits with sign, 182 dec corresponds to 1 °).

Remedy:

- track C or D not connected.
- correct the direction of rotation of the Hall sensor possibly connected as equivalent for track C/D.
- check that the encoder cables are routed in compliance with EMC.
- check the adjustment of the Hall sensor.

A32431 (F, N) Encoder 2: Deviation position incremental/absolute too large

Message class: Position/speed actual value incorrect or not available (11)

Reaction: NONE

Acknowledge: NONE

Cause: When the zero pulse is passed, a deviation in the incremental position was detected.

For equidistant zero marks, the following applies:

- The first zero mark passed supplies the reference point for all subsequent checks. The other zero marks must have n times the distance referred to the first zero mark.

For distance-coded zero marks, the following applies:

- the first zero mark pair supplies the reference point for all subsequent checks. The other zero mark pairs must have the expected distance to the first zero mark pair.

4 Faults and alarms

4.2 List of faults and alarms

Remedy:	Alarm value (r2124, interpret decimal): Deviation in quadrants (1 pulse = 4 quadrants). <ul style="list-style-type: none">- check that the encoder cables are routed in compliance with EMC.- check the plug connections.- replace the encoder or encoder cable.- Clean coding disk or remove strong magnetic fields.
A32432 (F, N)	Encoder 2: Rotor position adaptation corrects deviation
Message class:	Position/speed actual value incorrect or not available (11)
Reaction:	NONE
Acknowledge:	NONE
Cause:	For track A/B, pulses have been lost or too many have been counted. These pulses are presently being corrected. Alarm value (r2124, interpret decimal): Last measured deviation of zero mark in increments (4 increments = 1 encoder pulse). The sign designates the direction of motion when detecting the zero mark distance.
Remedy:	<ul style="list-style-type: none">- check that the encoder cables are routed in compliance with EMC.- check the plug connections.- replace the encoder or encoder cable.- check encoder limit frequency.- adapt the parameter for the distance between zero marks (p0424, p0425).
A32442 (F, N)	Encoder 2: Battery voltage pre-alarm
Message class:	Position/speed actual value incorrect or not available (11)
Reaction:	NONE
Acknowledge:	NONE
Cause:	When switched-off, the encoder uses a battery to back up the multiturn information. The multiturn information can no longer be buffered if the battery voltage drops even further.
Remedy:	Replace battery.
A32443 (F, N)	Encoder 2: Unipolar CD signal level outside specification
Message class:	Position/speed actual value incorrect or not available (11)
Reaction:	NONE
Acknowledge:	NONE
Cause:	The unipolar level (CP/CN or DP/DN) for encoder 2 is outside the permissible tolerance. Alarm value (r2124, interpret binary): Bit 0 = 1: Either CP or CN outside the tolerance. Bit 16 = 1: Either DP or DN outside the tolerance. The unipolar nominal signal level of the encoder must lie in the range 2500 mV +/- 500 mV. The response thresholds are < 1700 mV and > 3300 mV. Note: The signal level is not evaluated unless the following conditions are satisfied: <ul style="list-style-type: none">- Sensor Module properties available (r0459.31 = 1).- Monitoring active (p0437.31 = 1).
Remedy:	<ul style="list-style-type: none">- check that the encoder cables and shielding are routed in compliance with EMC.- check the plug connections and contacts of the encoder cable.- are the C/D tracks connected correctly (have the signal lines CP and CN or DP and DN been interchanged)?- replace the encoder cable.

A32460 (N) Encoder 2: Analog sensor channel A failed
Message class: Position/speed actual value incorrect or not available (11)
Reaction: NONE
Acknowledge: NONE
Cause: The input voltage of the analog sensor is outside the permissible limits.
Alarm value (r2124, interpret decimal):
1: Input voltage outside detectable measuring range.
2: Input voltage outside measuring range set in p4673.
3: The absolute value of the input voltage has exceeded the range limit (p4676).
Remedy: Re alarm value = 1:
- check the output voltage of the analog sensor.
Re alarm value = 2:
- check the voltage setting for each encoder period (p4673).
Re alarm value = 3:
- check the range limit setting and increase it if necessary (p4676).

A32461 (N) Encoder 2: Analog sensor channel B failed
Message class: Position/speed actual value incorrect or not available (11)
Reaction: NONE
Acknowledge: NONE
Cause: The input voltage of the analog sensor is outside the permissible limits.
Alarm value (r2124, interpret decimal):
1: Input voltage outside detectable measuring range.
2: Input voltage outside the measuring range set in (p4675).
3: The absolute value of the input voltage has exceeded the range limit (p4676).
Remedy: Re alarm value = 1:
- check the output voltage of the analog sensor.
Re alarm value = 2:
- check the voltage setting for each encoder period (p4675).
Re alarm value = 3:
- check the range limit setting and increase it if necessary (p4676).

A32462 (N) Encoder 2: Analog sensor no channel active
Message class: Error in the parameterization / configuration / commissioning procedure (18)
Reaction: NONE
Acknowledge: NONE
Cause: Channel A and B are not activated for the analog sensor.
Remedy: - activate channel A and/or channel B (p4670).
- check the encoder configuration (p0404.17).
See also: p4670 (Analog sensor configuration)

A32463 (N) Encoder 2: Analog sensor position value exceeds limit value
Message class: Position/speed actual value incorrect or not available (11)
Reaction: NONE
Acknowledge: NONE
Cause: The position value has exceeded the permissible range of -0.5 ... +0.5.
Alarm value (r2124, interpret decimal):
1: Position value from the LVDT sensor.
2: Position value from the encoder characteristic.
Remedy: Re alarm value = 1:
- Check the LVDT ratio (p4678).
- check the reference signal connection at track B.
Re alarm value = 2:
- check the coefficients of the characteristic (p4663 ... p4666).

4 Faults and alarms

4.2 List of faults and alarms

A32470 (F, N)	Encoder 2: Soiling detected
Message class:	Position/speed actual value incorrect or not available (11)
Reaction:	NONE
Acknowledge:	NONE
Cause:	In the case of the alternative encoder system interface on the Sensor Module Cabinet 30 (SMC30), encoder soiling is signaled via a 0 signal at terminal X521.7.
Remedy:	<ul style="list-style-type: none">- check the plug connections.- replace the encoder or encoder cable.

F32500 (N, A)	Encoder 2: Position tracking traversing range exceeded
Message class:	Position/speed actual value incorrect or not available (11)
Reaction:	OFF1 (NONE, OFF2, OFF3)
Acknowledge:	IMMEDIATELY
Cause:	<p>For a configured linear axis without modulo correction, the drive/encoder has exceeded the maximum possible traversing range. The value should be read in p0412 and interpreted as the number of motor revolutions.</p> <p>For p0411.0 = 1, the maximum traversing range for the configured linear axis is defined to be 64x (+/- 32x) of p0421.</p> <p>For p0411.3 = 1, the maximum traversing range for the configured linear axis is pre-set (default value) to the highest possible value and is +/-p0412/2 (rounded off to complete revolutions). The highest possible value depends on the pulse number (p0408) and the fine resolution (p0419).</p>
Remedy:	<p>The fault should be resolved as follows:</p> <ul style="list-style-type: none">- select encoder commissioning (p0010 = 4).- reset the position tracking as follows (p0411.2 = 1).- de-select encoder commissioning (p0010 = 0). <p>The fault should then be acknowledged and the absolute encoder adjusted.</p>

F32501 (N, A)	Encoder 2: Position tracking encoder position outside tolerance window
Message class:	Position/speed actual value incorrect or not available (11)
Reaction:	OFF1 (NONE, OFF2, OFF3)
Acknowledge:	IMMEDIATELY
Cause:	<p>When powered down, the drive/encoder was moved through a distance greater than was parameterized in the tolerance window. It is possible that there is no longer any reference between the mechanical system and encoder.</p> <p>Fault value (r0949, interpret decimal):</p> <p>Deviation (difference) to the last encoder position in increments of the absolute value.</p> <p>The sign designates the traversing direction.</p> <p>Note:</p> <p>The deviation (difference) found is also displayed in r0477.</p> <p>See also: p0413 (Measuring gear position tracking tolerance window), r0477 (Measuring gear position difference)</p>
Remedy:	<p>Reset the position tracking as follows:</p> <ul style="list-style-type: none">- select encoder commissioning (p0010 = 4).- reset the position tracking as follows (p0411.2 = 1).- de-select encoder commissioning (p0010 = 0). <p>The fault should then be acknowledged and, if necessary, the absolute encoder adjusted (p2507).</p> <p>See also: p0010 (Drive commissioning parameter filter), p2507 (LR absolute encoder adjustment status)</p>

F32502 (N, A)	Encoder 2: Encoder with measuring gear without valid signals
Message class:	Position/speed actual value incorrect or not available (11)
Reaction:	OFF1 (OFF2, OFF3)
Acknowledge:	IMMEDIATELY
Cause:	The encoder with measuring gear no longer provides any valid signals.
Remedy:	It must be ensured that all of the encoders, with mounted measuring gear, provide valid actual values in operation.

F32503 (N, A)	Encoder 2: Position tracking cannot be reset
Message class:	Position/speed actual value incorrect or not available (11)
Reaction:	OFF1 (NONE, OFF2, OFF3)
Acknowledge:	IMMEDIATELY
Cause:	The position tracking for the measuring gear cannot be reset.

Remedy: The fault should be resolved as follows:
- select encoder commissioning (p0010 = 4).
- reset the position tracking as follows (p0411.2 = 1).
- de-select encoder commissioning (p0010 = 0).
The fault should then be acknowledged and the absolute encoder adjusted.

F32802 (N, A) Encoder 2: Time slice overflow

Message class: Hardware / software error (1)
Reaction: OFF1 (IASC/DCBRK, NONE, OFF2, OFF3)
Acknowledge: IMMEDIATELY
Cause: A time slice overflow has occurred in encoder 2.
Fault value (r0949, interpret hexadecimal):
yx hex: y = function involved (Siemens-internal fault diagnostics), x = time slice involved
x = 9:
Time slice overflow of the fast (current controller clock cycle) time slice.
x = A:
Time slice overflow of the average time slice.
x = C:
Time slice overflow of the slow time slice.
yx = 3E7:
Timeout when waiting for SYNO (e.g. unexpected return to non-cyclic operation).
Remedy: Increase the current controller sampling time
Note:
For a current controller sampling time = 31.25 µs, use an SMx20 with order number 6SL3055-0AA00-5xA3.

F32805 (N, A) Encoder 2: EEPROM checksum error

Message class: Hardware / software error (1)
Reaction: OFF1 (IASC/DCBRK, NONE, OFF2, OFF3)
Acknowledge: IMMEDIATELY
Cause: Internal parameter data is corrupted.
Fault value (r0949, interpret hexadecimal):
01: EEPROM access error.
02: Too many blocks in the EEPROM.
Remedy: Replace the module.

F32850 (N, A) Encoder 2: Encoder evaluation internal software error

Message class: Hardware / software error (1)
Reaction: OFF1 (IASC/DCBRK, NONE, OFF2, OFF3)
Acknowledge: POWER ON
Cause: An internal software error has occurred in the Sensor Module of encoder 2.
Fault value (r0949, interpret decimal):
1: Background time slice is blocked.
2: Checksum over the code memory is not OK.
10000: OEM memory of the EnDat encoder contains data that cannot be interpreted.
11000 ... 11499: Descriptive data from EEPROM incorrect.
11500 ... 11899: Calibration data from EEPROM incorrect.
11900 ... 11999: Configuration data from EEPROM incorrect.
12000 ... 12008: Communication with AD converter faulted.
16000: DRIVE-CLiQ encoder initialization application error.
16001: DRIVE-CLiQ encoder initialization ALU error.
16002: DRIVE-CLiQ encoder HISI / SISI initialization error.
16003: DRIVE-CLiQ encoder safety initialization error.
16004: DRIVE-CLiQ encoder internal system error.

4 Faults and alarms

4.2 List of faults and alarms

Remedy:

- replace the Sensor Module.
- if required, upgrade the firmware in the Sensor Module.
- contact the Hotline.

F32899 (N, A)

Encoder 2: Unknown fault

Message class: Position/speed actual value incorrect or not available (11)

Reaction: OFF1 (IASC/DCBRK, NONE, OFF2, OFF3, STOP2)

Acknowledge: IMMEDIATELY (POWER ON)

Cause: A fault occurred on the Sensor Module for encoder 2 that cannot be interpreted by the Control Unit firmware. This can occur if the firmware on this component is more recent than the firmware on the Control Unit.

Fault value (r0949, interpret decimal):

Fault number.

Note:

If required, the significance of this new fault can be read about in a more recent description of the Control Unit.

Remedy:

- replace the firmware on the Sensor Module by an older firmware version (r0148).
- upgrade the firmware on the Control Unit (r0018).

F32905 (N, A)

Encoder 2: Parameterization error

Message class: Error in the parameterization / configuration / commissioning procedure (18)

Reaction: OFF1 (IASC/DCBRK, NONE, OFF2, OFF3, STOP2)

Acknowledge: IMMEDIATELY

Cause: A parameter of encoder 2 was detected as being incorrect.

It is possible that the parameterized encoder type does not match the connected encoder.

The parameter involved can be determined as follows:

- determine the parameter number using the fault value (r0949).

- determine the parameter index (p0187).

Fault value (r0949, interpret decimal):

yyyyxxxx dec: yyyy = supplementary information, xxxx = parameter

xxxx = 421:

For an EnDat/SSI encoder, the absolute position in the protocol must be less than or equal to 30 bits.

yyyy = 0:

No information available.

yyyy = 1:

The component does not support HTL level (p0405.1 = 0) combined with track monitoring A/B <> -A/B (p0405.2 = 1).

yyyy = 2:

A code number for an identified encoder has been entered into p0400, however, no identification was carried out.

Please start a new encoder identification.

yyyy = 3:

A code number for an identified encoder has been entered into p0400, however, no identification was carried out.

Please select a listed encoder in p0400 with a code number < 10000.

yyyy = 4:

This component does not support SSI encoders (p0404.9 = 1) without track A/B.

yyyy = 5:

For SQW encoder, value in p4686 greater than in p0425.

yyyy = 6:

DRIVE-CLiQ encoder cannot be used with this firmware version.

yyyy = 7:

For an SQW encoder, the Xact1 correction (p0437.2) is only permitted with equidistant zero marks.

yyyy = 8:

The motor pole pair width is not supported by the linear scale being used.

yyyy = 9:

The length of the position in the EnDat protocol may be a maximum of 32 bits.

yyyy = 10:

The connected encoder is not supported.

yyyy = 11:

The hardware does not support track monitoring.

- Remedy:**
- check whether the connected encoder type matches the encoder that has been parameterized.
 - correct the parameter specified by the fault value (r0949) and p0187.
 - re parameter number = 314:
 - check the pole pair number and measuring gear ratio. The quotient of the "pole pair number" divided by the "measuring gear ratio" must be less than or equal to 1000 ((r0313 * p0433) / p0432 <= 1000).

A32915 (F, N)	Encoder 2: Configuration error
Message class:	Error in the parameterization / configuration / commissioning procedure (18)
Reaction:	NONE
Acknowledge:	NONE
Cause:	The configuration for encoder 2 is incorrect. Alarm value (r2124, interpret decimal): 1: Re-parameterization between fault/alarm is not permissible. 419: When the fine resolution Gx_XIST2 is configured, the encoder identifies a maximum possible absolute position actual value (r0483) that can no longer be represented within 32 bits.
Remedy:	Re alarm value = 1: No re-parameterization between fault/alarm. Re alarm value = 419: Reduce the fine resolution (p0419) or deactivate the monitoring (p0437.25), if the complete multiturn range is not required.

A32930 (N)	Encoder 2: Data logger has saved data
Message class:	Error in the parameterization / configuration / commissioning procedure (18)
Reaction:	NONE
Acknowledge:	NONE
Cause:	For the activated function "Data logger" (p0437.0 = 1) a fault has occurred with the Sensor Module. This alarm indicates that the diagnostics data corresponding to the fault was saved on the memory card. The diagnostics data is saved in the following folder: /USER/SINAMICS/DATA/SMTRC00.BIN ... /USER/SINAMICS/DATA/SMTRC07.BIN /USER/SINAMICS/DATA/SMTRCIDX.TXT The following information is contained in the TXT file: - Display of the last written BIN file. - Number of write operations that are still possible (from 10000 downwards). Note: Only Siemens can evaluate the BIN files.
Remedy:	Not necessary. The alarm disappears automatically. The data logger is ready to record the next fault case.

F32950	Encoder 2: Internal software error
Message class:	Hardware / software error (1)
Reaction:	OFF1 (OFF2)
Acknowledge:	POWER ON
Cause:	An internal software error has occurred. Fault value (r0949, interpret decimal): Information about the fault source. Only for internal Siemens troubleshooting.
Remedy:	- If necessary, upgrade the firmware in the Sensor Module to a later version. - contact the Hotline.

4 Faults and alarms

4.2 List of faults and alarms

A32999 (F, N)	Encoder 2: Unknown alarm
Message class:	Position/speed actual value incorrect or not available (11)
Reaction:	NONE
Acknowledge:	NONE
Cause:	A alarm has occurred on the Sensor Module for encoder 2 that cannot be interpreted by the Control Unit firmware. This can occur if the firmware on this component is more recent than the firmware on the Control Unit. Alarm value (r2124, interpret decimal): Alarm number. Note: If required, the significance of this new alarm can be read about in a more recent description of the Control Unit.
Remedy:	- replace the firmware on the Sensor Module by an older firmware version (r0148). - upgrade the firmware on the Control Unit (r0018).
<hr/>	
F34851	VSM DRIVE-CLiQ (CU): Sign-of-life missing
Message class:	Internal (DRIVE-CLiQ) communication error (12)
Reaction:	NONE (OFF1, OFF2)
Acknowledge:	IMMEDIATELY
Cause:	A DRIVE-CLiQ communications error has occurred from the Voltage Sensing Module involved (VSM) to the Control Unit. The DRIVE-CLiQ component did not set the sign-of-life to the Control Unit. Fault cause: 10 (= 0A hex): The sign-of-life bit in the receive telegram is not set. Note regarding the message value: The individual information is coded as follows in the message value (r0949/r2124): 0000yyxx hex: yy = component number, xx = error cause
Remedy:	Upgrade the firmware of the component involved.
<hr/>	
F34860	VSM DRIVE-CLiQ (CU): Telegram error
Message class:	Internal (DRIVE-CLiQ) communication error (12)
Reaction:	NONE (OFF1, OFF2)
Acknowledge:	IMMEDIATELY
Cause:	A DRIVE-CLiQ communications error has occurred from the Voltage Sensing Module involved (VSM) to the Control Unit. Fault cause: 1 (= 01 hex): Checksum error (CRC error). 2 (= 02 hex): Telegram is shorter than specified in the length byte or in the receive list. 3 (= 03 hex): Telegram is longer than specified in the length byte or in the receive list. 4 (= 04 hex): The length of the receive telegram does not match the receive list. 5 (= 05 hex): The type of the receive telegram does not match the receive list. 6 (= 06 hex): The address of the power unit in the telegram and in the receive list do not match. 9 (= 09 hex): The error bit in the receive telegram is set. 16 (= 10 hex): The receive telegram is too early. 17 (= 11 hex): CRC error and the receive telegram is too early.

18 (= 12 hex):

The telegram is shorter than that specified in the length byte or in the receive list and the receive telegram is too early.

19 (= 13 hex):

The telegram is longer than that specified in the length byte or in the receive list and the receive telegram is too early.

20 (= 14 hex):

The length of the receive telegram does not match the receive list and the receive telegram is too early.

21 (= 15 hex):

The type of the receive telegram does not match the receive list and the receive telegram is too early.

22 (= 16 hex):

The address of the power unit in the telegram and in the receive list does not match and the receive telegram is too early.

25 (= 19 hex):

The error bit in the receive telegram is set and the receive telegram is too early.

Note regarding the message value:

The individual information is coded as follows in the message value (r0949/r2124):

0000yyxx hex: yy = component number, xx = error cause

Remedy:

- carry out a POWER ON (power off/on).
 - check the electrical cabinet design and cable routing for EMC compliance
 - check the DRIVE-CLiQ wiring (interrupted cable, contacts, ...).
- See also: p9915 (DRIVE-CLiQ data transfer error shutdown threshold master)

F34875 VSM DRIVE-CLiQ (CU): Supply voltage failed

Message class: Supply voltage fault (undervoltage) (3)

Reaction: OFF2

Acknowledge: IMMEDIATELY

Cause: The DRIVE-CLiQ communication from the DRIVE-CLiQ component involved to the Control Unit signals that the supply voltage has failed.

Fault cause:

9 (= 09 hex):

The power supply voltage for the components has failed.

Note regarding the message value:

The individual information is coded as follows in the message value (r0949/r2124):

0000yyxx hex: yy = component number, xx = error cause

Remedy:

- carry out a POWER ON (power off/on).
- check the power supply voltage wiring for the DRIVE-CLiQ component (interrupted cable, contacts, ...).
- check the dimensioning of the power supply for the DRIVE-CLiQ component.

F34885 VSM DRIVE-CLiQ (CU): Cyclic data transfer error

Message class: Internal (DRIVE-CLiQ) communication error (12)

Reaction: NONE (OFF1, OFF2)

Acknowledge: IMMEDIATELY

Cause: A DRIVE-CLiQ communications error has occurred from the Voltage Sensing Module involved (VSM) to the Control Unit.

The nodes do not send and receive in synchronism.

Fault cause:

26 (= 1A hex):

Sign-of-life bit in the receive telegram not set and the receive telegram is too early.

33 (= 21 hex):

The cyclic telegram has not been received.

34 (= 22 hex):

Timeout in the telegram receive list.

64 (= 40 hex):

Timeout in the telegram send list.

98 (= 62 hex):

Error at the transition to cyclic operation.

4 Faults and alarms

4.2 List of faults and alarms

Note regarding the message value:

The individual information is coded as follows in the message value (r0949/r2124):

0000yyxx hex: yy = component number, xx = error cause

Remedy:

- check the power supply voltage of the component involved.
- carry out a POWER ON.
- replace the component involved.

See also: p9915 (DRIVE-CLiQ data transfer error shutdown threshold master)

F34886

VSM DRIVE-CLiQ (CU): Error when sending DRIVE-CLiQ data

Message class: Internal (DRIVE-CLiQ) communication error (12)

Reaction: NONE (OFF1, OFF2)

Acknowledge: IMMEDIATELY

Cause: A DRIVE-CLiQ communications error has occurred from the Voltage Sensing Module involved (VSM) to the Control Unit.

Data were not able to be sent.

Fault cause:

65 (= 41 hex):

Telegram type does not match send list.

Note regarding the message value:

The individual information is coded as follows in the message value (r0949/r2124):

0000yyxx hex: yy = component number, xx = error cause

Remedy: Carry out a POWER ON.

F34887

VSM DRIVE-CLiQ (CU): Component fault

Message class: Internal (DRIVE-CLiQ) communication error (12)

Reaction: NONE (OFF1, OFF2)

Acknowledge: IMMEDIATELY

Cause: Fault detected on the DRIVE-CLiQ component (Voltage Sensing Module) involved. Faulty hardware cannot be excluded.

Fault cause:

32 (= 20 hex):

Error in the telegram header.

35 (= 23 hex):

Receive error: The telegram buffer memory contains an error.

66 (= 42 hex):

Send error: The telegram buffer memory contains an error.

67 (= 43 hex):

Send error: The telegram buffer memory contains an error.

96 (= 60 hex):

Response received too late during runtime measurement.

97 (= 61 hex):

Time taken to exchange characteristic data too long.

Note regarding the message value:

The individual information is coded as follows in the message value (r0949/r2124):

0000yyxx hex: yy = component number, xx = error cause

Remedy:

- check the DRIVE-CLiQ wiring (interrupted cable, contacts, ...).
- check the electrical cabinet design and cable routing for EMC compliance
- if required, use another DRIVE-CLiQ socket (p9904).
- replace the component involved.

F34895

VSM DRIVE-CLiQ (CU): Alternating cyclic data transfer error

Message class: Internal (DRIVE-CLiQ) communication error (12)

Reaction: NONE (OFF1, OFF2)

Acknowledge: IMMEDIATELY

Cause: A DRIVE-CLiQ communications error has occurred from the Voltage Sensing Module involved (VSM) to the Control Unit.

Fault cause:
11 (= 0B hex):
Synchronization error during alternating cyclic data transfer.
Note regarding the message value:
The individual information is coded as follows in the message value (r0949/r2124):
0000yyxx hex: yy = component number, xx = error cause

Remedy:
Carry out a POWER ON.
See also: p9915 (DRIVE-CLiQ data transfer error shutdown threshold master)

F34896 **VSM DRIVE-CLiQ (CU): Inconsistent component properties**

Message class: Internal (DRIVE-CLiQ) communication error (12)
Reaction: OFF2 (IASC/DCBRK, NONE, OFF1, OFF3, STOP2)
Acknowledge: IMMEDIATELY
Cause: The properties of the DRIVE-CLiQ component (Voltage Sensing Module), specified by the fault value, have changed in an incompatible fashion with respect to the properties when booted. One cause can be, e.g. that a DRIVE-CLiQ cable or DRIVE-CLiQ component has been replaced.
Fault value (r0949, interpret decimal):
Component number.

Remedy:
- carry out a POWER ON.
- when a component is replaced, the same component type and if possible the same firmware version should be used.
- when a cable is replaced, only cables whose length is the same as or as close as possible to the length of the original cables should be used (ensure compliance with the maximum cable length).

F35005 **TM54F:parallel connection not supported**

Message class: Safety monitoring channel has identified an error (10)
Reaction: NONE
Acknowledge: POWER ON
Cause: The TM54F function with Basic Safety Functions is used. This function is not supported when power units are connected in parallel.
All drives of the TM54F assume fail safe values, and are not enabled.

Remedy:
- deactivate parallel connection or TM54F with Basic Functions.
- copy RAM to ROM.
- carry out a POWER ON (power off/on).

F35851 **TM DRIVE-CLiQ (CU): Sign-of-life missing**

Message class: Internal (DRIVE-CLiQ) communication error (12)
Reaction: OFF1 (OFF2)
Acknowledge: IMMEDIATELY
Cause: A DRIVE-CLiQ communication error has occurred from the Terminal Module involved (TM) to the Control Unit.
The DRIVE-CLiQ component did not set the sign-of-life to the Control Unit.
Fault cause:
10 (= 0A hex):
The sign-of-life bit in the receive telegram is not set.
Note regarding the message value:
The individual information is coded as follows in the message value (r0949/r2124):
0000yyxx hex: yy = component number, xx = error cause

Remedy:
Upgrade the firmware of the component involved.

F35860	TM DRIVE-CLiQ (CU): Telegram error
Message class:	Internal (DRIVE-CLiQ) communication error (12)
Reaction:	OFF1 (OFF2)
Acknowledge:	IMMEDIATELY
Cause:	A DRIVE-CLiQ communication error has occurred from the Terminal Module involved (TM) to the Control Unit. Fault cause: 1 (= 01 hex): Checksum error (CRC error). 2 (= 02 hex): Telegram is shorter than specified in the length byte or in the receive list. 3 (= 03 hex): Telegram is longer than specified in the length byte or in the receive list. 4 (= 04 hex): The length of the receive telegram does not match the receive list. 5 (= 05 hex): The type of the receive telegram does not match the receive list. 6 (= 06 hex): The address of the power unit in the telegram and in the receive list do not match. 9 (= 09 hex): The error bit in the receive telegram is set. 16 (= 10 hex): The receive telegram is too early. 17 (= 11 hex): CRC error and the receive telegram is too early. 18 (= 12 hex): The telegram is shorter than that specified in the length byte or in the receive list and the receive telegram is too early. 19 (= 13 hex): The telegram is longer than that specified in the length byte or in the receive list and the receive telegram is too early. 20 (= 14 hex): The length of the receive telegram does not match the receive list and the receive telegram is too early. 21 (= 15 hex): The type of the receive telegram does not match the receive list and the receive telegram is too early. 22 (= 16 hex): The address of the power unit in the telegram and in the receive list does not match and the receive telegram is too early. 25 (= 19 hex): The error bit in the receive telegram is set and the receive telegram is too early. Note regarding the message value: The individual information is coded as follows in the message value (r0949/r2124): 0000yyxx hex: yy = component number, xx = error cause
Remedy:	- carry out a POWER ON (power off/on). - check the electrical cabinet design and cable routing for EMC compliance - check the DRIVE-CLiQ wiring (interrupted cable, contacts, ...). See also: p9915 (DRIVE-CLiQ data transfer error shutdown threshold master)
F35875	TM DRIVE-CLiQ (CU): Supply voltage failed
Message class:	Supply voltage fault (undervoltage) (3)
Reaction:	OFF1 (OFF2)
Acknowledge:	IMMEDIATELY
Cause:	The DRIVE-CLiQ communication from the DRIVE-CLiQ component involved to the Control Unit signals that the supply voltage has failed. Fault cause: 9 (= 09 hex): The power supply voltage for the components has failed.

Note regarding the message value:

The individual information is coded as follows in the message value (r0949/r2124):

0000yyxx hex: yy = component number, xx = error cause

Remedy:

- carry out a POWER ON (power off/on).
- check the power supply voltage wiring for the DRIVE-CLiQ component (interrupted cable, contacts, ...).
- check the dimensioning of the power supply for the DRIVE-CLiQ component.

F35885

TM DRIVE-CLiQ (CU): Cyclic data transfer error

Message class:

Internal (DRIVE-CLiQ) communication error (12)

Reaction:

OFF1 (OFF2)

Acknowledge:

IMMEDIATELY

Cause:

A DRIVE-CLiQ communication error has occurred from the Terminal Module involved (TM) to the Control Unit.
The nodes do not send and receive in synchronism.

Fault cause:

26 (= 1A hex):

Sign-of-life bit in the receive telegram not set and the receive telegram is too early.

33 (= 21 hex):

The cyclic telegram has not been received.

34 (= 22 hex):

Timeout in the telegram receive list.

64 (= 40 hex):

Timeout in the telegram send list.

98 (= 62 hex):

Error at the transition to cyclic operation.

Note regarding the message value:

The individual information is coded as follows in the message value (r0949/r2124):

0000yyxx hex: yy = component number, xx = error cause

Remedy:

- check the power supply voltage of the component involved.
 - carry out a POWER ON.
 - replace the component involved.
- See also: p9915 (DRIVE-CLiQ data transfer error shutdown threshold master)

F35886

TM DRIVE-CLiQ (CU): Error when sending DRIVE-CLiQ data

Message class:

Internal (DRIVE-CLiQ) communication error (12)

Reaction:

OFF1 (OFF2)

Acknowledge:

IMMEDIATELY

Cause:

A DRIVE-CLiQ communication error has occurred from the Terminal Module involved (TM) to the Control Unit.
Data were not able to be sent.

Fault cause:

65 (= 41 hex):

Telegram type does not match send list.

Note regarding the message value:

The individual information is coded as follows in the message value (r0949/r2124):

0000yyxx hex: yy = component number, xx = error cause

Remedy:

Carry out a POWER ON.

F35887

TM DRIVE-CLiQ (CU): Component fault

Message class:

Internal (DRIVE-CLiQ) communication error (12)

Reaction:

OFF1 (OFF2)

Acknowledge:

IMMEDIATELY

Cause:

Fault detected on the DRIVE-CLiQ component (Terminal Module) involved. Faulty hardware cannot be excluded.

Fault cause:

32 (= 20 hex):

Error in the telegram header.

4 Faults and alarms

4.2 List of faults and alarms

35 (= 23 hex):

Receive error: The telegram buffer memory contains an error.

66 (= 42 hex):

Send error: The telegram buffer memory contains an error.

67 (= 43 hex):

Send error: The telegram buffer memory contains an error.

96 (= 60 hex):

Response received too late during runtime measurement.

97 (= 61 hex):

Time taken to exchange characteristic data too long.

Note regarding the message value:

The individual information is coded as follows in the message value (r0949/r2124):

0000yyxx hex: yy = component number, xx = error cause

Remedy:

- check the DRIVE-CLiQ wiring (interrupted cable, contacts, ...).
 - check the electrical cabinet design and cable routing for EMC compliance
 - if required, use another DRIVE-CLiQ socket (p9904).
 - replace the component involved.
-

F35895

TM DRIVE-CLiQ (CU): Alternating cyclic data transfer error

Message class:

Internal (DRIVE-CLiQ) communication error (12)

Reaction:

OFF1 (OFF2)

Acknowledge:

IMMEDIATELY

Cause:

A DRIVE-CLiQ communication error has occurred from the Terminal Module involved (TM) to the Control Unit.

Fault cause:

11 (= 0B hex):

Synchronization error during alternating cyclic data transfer.

Note regarding the message value:

The individual information is coded as follows in the message value (r0949/r2124):

0000yyxx hex: yy = component number, xx = error cause

Remedy:

Carry out a POWER ON.

See also: p9915 (DRIVE-CLiQ data transfer error shutdown threshold master)

F35896

TM DRIVE-CLiQ (CU): Inconsistent component properties

Message class:

Internal (DRIVE-CLiQ) communication error (12)

Reaction:

OFF2 (IASC/DCBRK, NONE, OFF1, OFF3, STOP2)

Acknowledge:

IMMEDIATELY

Cause:

The properties of the DRIVE-CLiQ component (Terminal Module), specified by the fault value, have changed in an incompatible fashion with respect to the properties when booted. One cause can be, e.g. that a DRIVE-CLiQ cable or DRIVE-CLiQ component has been replaced.

Fault value (r0949, interpret decimal):

Component number.

Remedy:

- carry out a POWER ON.

- when a component is replaced, the same component type and if possible the same firmware version should be used.

- when a cable is replaced, only cables whose length is the same as or as close as possible to the length of the original cables should be used (ensure compliance with the maximum cable length).

F35950

TM: Internal software error

Message class:

Hardware / software error (1)

Reaction:

OFF2 (NONE)

Acknowledge:

POWER ON

Cause:

An internal software error has occurred.

Fault value (r0949, interpret decimal):

Information about the fault source.

Only for internal Siemens troubleshooting.

Remedy: - If necessary, upgrade the firmware in the Terminal Module to a later version.
- contact the Hotline.

F36851 Hub DRIVE-CLiQ (CU): Sign-of-life missing

Message class: Internal (DRIVE-CLiQ) communication error (12)
Reaction: NONE
Acknowledge: IMMEDIATELY
Cause: DRIVE-CLiQ communication error from DRIVE-CLiQ Hub Module in question to Control Unit.
The DRIVE-CLiQ component did not set the sign-of-life to the Control Unit.
Fault cause:
10 (= 0A hex):
The sign-of-life bit in the receive telegram is not set.
Note regarding the message value:
The individual information is coded as follows in the message value (r0949/r2124):
0000yyxx hex: yy = component number, xx = error cause
Remedy: Upgrade the firmware of the component involved.

F36860 Hub DRIVE-CLiQ (CU): Telegram error

Message class: Internal (DRIVE-CLiQ) communication error (12)
Reaction: NONE
Acknowledge: IMMEDIATELY
Cause: DRIVE-CLiQ communication error from DRIVE-CLiQ Hub Module in question to Control Unit.
Fault cause:
1 (= 01 hex):
Checksum error (CRC error).
2 (= 02 hex):
Telegram is shorter than specified in the length byte or in the receive list.
3 (= 03 hex):
Telegram is longer than specified in the length byte or in the receive list.
4 (= 04 hex):
The length of the receive telegram does not match the receive list.
5 (= 05 hex):
The type of the receive telegram does not match the receive list.
6 (= 06 hex):
The address of the power unit in the telegram and in the receive list do not match.
9 (= 09 hex):
The error bit in the receive telegram is set.
16 (= 10 hex):
The receive telegram is too early.
17 (= 11 hex):
CRC error and the receive telegram is too early.
18 (= 12 hex):
The telegram is shorter than that specified in the length byte or in the receive list and the receive telegram is too early.
19 (= 13 hex):
The telegram is longer than that specified in the length byte or in the receive list and the receive telegram is too early.
20 (= 14 hex):
The length of the receive telegram does not match the receive list and the receive telegram is too early.
21 (= 15 hex):
The type of the receive telegram does not match the receive list and the receive telegram is too early.
22 (= 16 hex):
The address of the power unit in the telegram and in the receive list does not match and the receive telegram is too early.
25 (= 19 hex):
The error bit in the receive telegram is set and the receive telegram is too early.

4 Faults and alarms

4.2 List of faults and alarms

Note regarding the message value:

The individual information is coded as follows in the message value (r0949/r2124):

0000yyxx hex: yy = component number, xx = error cause

Remedy:

- carry out a POWER ON (power off/on).
 - check the electrical cabinet design and cable routing for EMC compliance
 - check the DRIVE-CLiQ wiring (interrupted cable, contacts, ...).
-

F36875 HUB DRIVE-CLiQ (CU): Supply voltage failed

Message class: Supply voltage fault (undervoltage) (3)

Reaction: OFF1 (OFF2)

Acknowledge: IMMEDIATELY

Cause: The DRIVE-CLiQ communication from the DRIVE-CLiQ component involved to the Control Unit signals that the supply voltage has failed.

Fault cause:

9 (= 09 hex):

The power supply voltage for the components has failed.

Note regarding the message value:

The individual information is coded as follows in the message value (r0949/r2124):

0000yyxx hex: yy = component number, xx = error cause

Remedy:

- carry out a POWER ON (power off/on).
 - check the power supply voltage wiring for the DRIVE-CLiQ component (interrupted cable, contacts, ...).
 - check the dimensioning of the power supply for the DRIVE-CLiQ component.
-

F36885 Hub DRIVE-CLiQ (CU): Cyclic data transfer error

Message class: Internal (DRIVE-CLiQ) communication error (12)

Reaction: NONE

Acknowledge: IMMEDIATELY

Cause: DRIVE-CLiQ communication error from DRIVE-CLiQ Hub Module in question to the Control Unit.

The nodes do not send and receive in synchronism.

Fault cause:

26 (= 1A hex):

Sign-of-life bit in the receive telegram not set and the receive telegram is too early.

33 (= 21 hex):

The cyclic telegram has not been received.

34 (= 22 hex):

Timeout in the telegram receive list.

64 (= 40 hex):

Timeout in the telegram send list.

98 (= 62 hex):

Error at the transition to cyclic operation.

Note regarding the message value:

The individual information is coded as follows in the message value (r0949/r2124):

0000yyxx hex: yy = component number, xx = error cause

Remedy:

- check the supply voltage of the component involved.
 - carry out a POWER ON.
 - replace the component involved.
-

F36886 Hub DRIVE-CLiQ (CU): Error when sending DRIVE-CLiQ data

Message class: Internal (DRIVE-CLiQ) communication error (12)

Reaction: NONE

Acknowledge: IMMEDIATELY

Cause: DRIVE-CLiQ communication error from DRIVE-CLiQ Hub Module in question to Control Unit.

Data were not able to be sent.

Fault cause:

65 (= 41 hex):

Telegram type does not match send list.

Note regarding the message value:

The individual information is coded as follows in the message value (r0949/r2124):

0000yyxx hex: yy = component number, xx = error cause

Remedy: Carry out a POWER ON.

F36887 Hub DRIVE-CLiQ (CU): Component fault

Message class: Internal (DRIVE-CLiQ) communication error (12)

Reaction: NONE

Acknowledge: IMMEDIATELY

Cause: Fault detected on the DRIVE-CLiQ component (DRIVE-CLiQ Hub Module) involved. Faulty hardware cannot be excluded.

Fault cause:

32 (= 20 hex):

Error in the telegram header.

35 (= 23 hex):

Receive error: The telegram buffer memory contains an error.

66 (= 42 hex):

Send error: The telegram buffer memory contains an error.

67 (= 43 hex):

Send error: The telegram buffer memory contains an error.

96 (= 60 hex):

Response received too late during runtime measurement.

97 (= 61 hex):

Time taken to exchange characteristic data too long.

Note regarding the message value:

The individual information is coded as follows in the message value (r0949/r2124):

0000yyxx hex: yy = component number, xx = error cause

Remedy: - check the DRIVE-CLiQ wiring (interrupted cable, contacts, ...).

- check the electrical cabinet design and cable routing for EMC compliance

- if required, use another DRIVE-CLiQ socket (p9904).

- replace the component involved.

F36895 Hub DRIVE-CLiQ (CU): Alternating cyclic data transfer error

Message class: Internal (DRIVE-CLiQ) communication error (12)

Reaction: NONE

Acknowledge: IMMEDIATELY

Cause: DRIVE-CLiQ communication error from DRIVE-CLiQ Hub Module in question to Control Unit.

Fault cause:

11 (= 0B hex):

Synchronization error during alternating cyclic data transfer.

Note regarding the message value:

The individual information is coded as follows in the message value (r0949/r2124):

0000yyxx hex: yy = component number, xx = error cause

Remedy: Carry out a POWER ON.

See also: p9915 (DRIVE-CLiQ data transfer error shutdown threshold master)

F36896 Hub DRIVE-CLiQ (CU): Inconsistent component properties

Message class: Internal (DRIVE-CLiQ) communication error (12)

Reaction: NONE

Acknowledge: IMMEDIATELY

Cause: The properties of the DRIVE-CLiQ component (DRIVE-CLiQ Hub Module), specified by the fault value, have changed in an incompatible fashion with respect to the properties when booted. One cause can be, e.g. that a DRIVE-CLiQ cable or DRIVE-CLiQ component has been replaced.

Fault value (r0949, interpret decimal):

Component number.

4 Faults and alarms

4.2 List of faults and alarms

Remedy:

- carry out a POWER ON.
- when a component is replaced, the same component type and if possible the same firmware version should be used.
- when a cable is replaced, only cables whose length is the same as or as close as possible to the length of the original cables should be used (ensure compliance with the maximum cable length).

F40000 Fault at DRIVE-CLiQ socket X100

Message class: General drive fault (19)
Reaction: NONE
Acknowledge: IMMEDIATELY
Cause: A fault has occurred at the drive object at the DRIVE-CLiQ socket X100.
Fault value (r0949, interpret decimal):
First fault that has occurred for this drive object.

Remedy: Evaluate the fault buffer of the specified object.

F40001 Fault at DRIVE-CLiQ socket X101

Message class: General drive fault (19)
Reaction: NONE
Acknowledge: IMMEDIATELY
Cause: A fault has occurred at the drive object at the DRIVE-CLiQ socket X101.
Fault value (r0949, interpret decimal):
First fault that has occurred for this drive object.

Remedy: Evaluate the fault buffer of the specified object.

F40002 Fault at DRIVE-CLiQ socket X102

Message class: General drive fault (19)
Reaction: NONE
Acknowledge: IMMEDIATELY
Cause: A fault has occurred at the drive object at the DRIVE-CLiQ socket X102.
Fault value (r0949, interpret decimal):
First fault that has occurred for this drive object.

Remedy: Evaluate the fault buffer of the specified object.

F40003 Fault at DRIVE-CLiQ socket X103

Message class: General drive fault (19)
Reaction: NONE
Acknowledge: IMMEDIATELY
Cause: A fault has occurred at the drive object at the DRIVE-CLiQ socket X103.
Fault value (r0949, interpret decimal):
First fault that has occurred for this drive object.

Remedy: Evaluate the fault buffer of the specified object.

F40004 Fault at DRIVE-CLiQ socket X104

Message class: General drive fault (19)
Reaction: NONE
Acknowledge: IMMEDIATELY
Cause: A fault has occurred at the drive object at the DRIVE-CLiQ socket X104.
Fault value (r0949, interpret decimal):
First fault that has occurred for this drive object.

Remedy: Evaluate the fault buffer of the specified object.

F40005 **Fault at DRIVE-CLiQ socket X105**
Message class: General drive fault (19)
Reaction: NONE
Acknowledge: IMMEDIATELY
Cause: A fault has occurred at the drive object at the DRIVE-CLiQ socket X105.
 Fault value (r0949, interpret decimal):
 First fault that has occurred for this drive object.
Remedy: Evaluate the fault buffer of the specified object.

A40100 **Alarm at DRIVE-CLiQ socket X100**
Message class: General drive fault (19)
Reaction: NONE
Acknowledge: NONE
Cause: An alarm has occurred at the drive object at the DRIVE-CLiQ socket X100.
 Alarm value (r2124, interpret decimal):
 First alarm that has occurred for this drive object.
Remedy: Evaluate the alarm buffer of the specified object.

A40101 **Alarm at DRIVE-CLiQ socket X101**
Message class: General drive fault (19)
Reaction: NONE
Acknowledge: NONE
Cause: An alarm has occurred at the drive object at the DRIVE-CLiQ socket X101.
 Alarm value (r2124, interpret decimal):
 First alarm that has occurred for this drive object.
Remedy: Evaluate the alarm buffer of the specified object.

A40102 **Alarm at DRIVE-CLiQ socket X102**
Message class: General drive fault (19)
Reaction: NONE
Acknowledge: NONE
Cause: An alarm has occurred at the drive object at the DRIVE-CLiQ socket X102.
 Alarm value (r2124, interpret decimal):
 First alarm that has occurred for this drive object.
Remedy: Evaluate the alarm buffer of the specified object.

A40103 **Alarm at DRIVE-CLiQ socket X103**
Message class: General drive fault (19)
Reaction: NONE
Acknowledge: NONE
Cause: An alarm has occurred at the drive object at the DRIVE-CLiQ socket X103.
 Alarm value (r2124, interpret decimal):
 First alarm that has occurred for this drive object.
Remedy: Evaluate the alarm buffer of the specified object.

A40104 **Alarm at DRIVE-CLiQ socket X104**
Message class: General drive fault (19)
Reaction: NONE
Acknowledge: NONE
Cause: An alarm has occurred at the drive object at the DRIVE-CLiQ socket X104.
 Alarm value (r2124, interpret decimal):
 First alarm that has occurred for this drive object.
Remedy: Evaluate the alarm buffer of the specified object.

4 Faults and alarms

4.2 List of faults and alarms

A40105	Alarm at DRIVE-CLiQ socket X105
Message class:	General drive fault (19)
Reaction:	NONE
Acknowledge:	NONE
Cause:	An alarm has occurred at the drive object at the DRIVE-CLiQ socket X105. Alarm value (r2124, interpret decimal): First alarm that has occurred for this drive object.
Remedy:	Evaluate the alarm buffer of the specified object.

F40799	CX32: Configured transfer end time exceeded
Message class:	Internal (DRIVE-CLiQ) communication error (12)
Reaction:	NONE
Acknowledge:	IMMEDIATELY
Cause:	The configured transfer end time when transferring the cyclic actual values was exceeded.
Remedy:	- carry out a POWER ON (power off/on) for all components. - contact the Hotline.

F40820	CX32 DRIVE-CLiQ: Telegram error
Message class:	Internal (DRIVE-CLiQ) communication error (12)
Reaction:	OFF2
Acknowledge:	IMMEDIATELY
Cause:	A DRIVE-CLiQ communications error has occurred from the Control Unit to the controller extension involved. Fault cause: 1 (= 01 hex): Checksum error (CRC error). 2 (= 02 hex): Telegram is shorter than specified in the length byte or in the receive list. 3 (= 03 hex): Telegram is longer than specified in the length byte or in the receive list. 4 (= 04 hex): The length of the receive telegram does not match the receive list. 5 (= 05 hex): The type of the receive telegram does not match the receive list. 6 (= 06 hex): The address of the component in the telegram and in the receive list do not match. 7 (= 07 hex): A SYNC telegram is expected - but the received telegram is not a SYNC telegram. 8 (= 08 hex): No SYNC telegram is expected - but the received telegram is one. 9 (= 09 hex): The error bit in the receive telegram is set. 16 (= 10 hex): The receive telegram is too early. Note regarding the message value: The individual information is coded as follows in the message value (r0949/r2124): 0000yyxx hex: yy = component number, xx = error cause
Remedy:	- carry out a POWER ON (power off/on). - check the electrical cabinet design and cable routing for EMC compliance - check the DRIVE-CLiQ wiring (interrupted cable, contacts, ...). See also: p9916 (DRIVE-CLiQ data transfer error shutdown threshold slave)

F40825 CX32 DRIVE-CLiQ: Supply voltage failed

Message class: Supply voltage fault (undervoltage) (3)
Reaction: OFF1 (OFF2)
Acknowledge: IMMEDIATELY
Cause: The DRIVE-CLiQ communication from the DRIVE-CLiQ component involved to the Control Unit signals that the supply voltage has failed.
Fault cause:
9 (= 09 hex):
The power supply voltage for the components has failed.
Note regarding the message value:
The individual information is coded as follows in the message value (r0949/r2124):
0000yyxx hex: yy = component number, xx = error cause
Remedy:
- carry out a POWER ON (power off/on).
- check the supply voltage wiring of the DRIVE-CLiQ component (interrupted cable, contacts, ...).
- check the dimensioning of the DRIVE-CLiQ component power supply.

F40835 CX32 DRIVE-CLiQ: Cyclic data transfer error

Message class: Internal (DRIVE-CLiQ) communication error (12)
Reaction: OFF2
Acknowledge: IMMEDIATELY
Cause: A DRIVE-CLiQ communications error has occurred from the Control Unit to the controller extension involved. The nodes do not send and receive in synchronism.
Fault cause:
33 (= 21 hex):
The cyclic telegram has not been received.
34 (= 22 hex):
Timeout in the telegram receive list.
64 (= 40 hex):
Timeout in the telegram send list.
Note regarding the message value:
The individual information is coded as follows in the message value (r0949/r2124):
0000yyxx hex: yy = component number, xx = error cause
Remedy:
- carry out a POWER ON (power off/on).
- replace the component involved.
See also: p9916 (DRIVE-CLiQ data transfer error shutdown threshold slave)

F40836 CX32 DRIVE-CLiQ: Send error for DRIVE-CLiQ data

Message class: Internal (DRIVE-CLiQ) communication error (12)
Reaction: OFF2
Acknowledge: IMMEDIATELY
Cause: A DRIVE-CLiQ communications error has occurred from the Control Unit to the controller extension involved. Data were not able to be sent.
Fault cause:
65 (= 41 hex):
Telegram type does not match send list.
Note regarding the message value:
The individual information is coded as follows in the message value (r0949/r2124):
0000yyxx hex: yy = component number, xx = error cause
Remedy:
Carry out a POWER ON (power off/on).

F40837 CX32 DRIVE-CLiQ: Component fault

Message class: Internal (DRIVE-CLiQ) communication error (12)

Reaction: OFF2

Acknowledge: IMMEDIATELY

Cause: Fault detected on the DRIVE-CLiQ component concerned. Faulty hardware cannot be excluded.

Fault cause:

32 (= 20 hex):

Error in the telegram header.

35 (= 23 hex):

Receive error: The telegram buffer memory contains an error.

66 (= 42 hex):

Send error: The telegram buffer memory contains an error.

67 (= 43 hex):

Send error: The telegram buffer memory contains an error.

Note regarding the message value:

The individual information is coded as follows in the message value (r0949/r2124):

0000yyxx hex: yy = component number, xx = error cause

Remedy: - check the DRIVE-CLiQ wiring (interrupted cable, contacts, ...).

- check the electrical cabinet design and cable routing for EMC compliance

- if required, use another DRIVE-CLiQ socket (p9904).

- replace the component involved.

F40845 CX32 DRIVE-CLiQ: Cyclic data transfer error

Message class: Internal (DRIVE-CLiQ) communication error (12)

Reaction: OFF2

Acknowledge: IMMEDIATELY

Cause: A DRIVE-CLiQ communications error has occurred from the Control Unit to the controller extension involved.

Fault cause:

11 (= 0B hex):

Synchronization error during alternating cyclic data transfer.

Note regarding the message value:

The individual information is coded as follows in the message value (r0949/r2124):

0000yyxx hex: yy = component number, xx = error cause

Remedy: Carry out a POWER ON (power off/on).

See also: p9916 (DRIVE-CLiQ data transfer error shutdown threshold slave)

F40851 CX32 DRIVE-CLiQ (CU): Sign-of-life missing

Message class: Internal (DRIVE-CLiQ) communication error (12)

Reaction: OFF2

Acknowledge: IMMEDIATELY

Cause: A DRIVE-CLiQ communications error has occurred from the controller extension involved to the Control Unit.

The DRIVE-CLiQ component did not set the sign-of-life to the Control Unit.

Fault cause:

10 (= 0A hex):

The sign-of-life bit in the receive telegram is not set.

Note regarding the message value:

The individual information is coded as follows in the message value (r0949/r2124):

0000yyxx hex: yy = component number, xx = error cause

Remedy: Upgrade the firmware of the component involved.

F40860	CX32 DRIVE-CLiQ (CU): Telegram error
Message class:	Internal (DRIVE-CLiQ) communication error (12)
Reaction:	OFF2
Acknowledge:	IMMEDIATELY
Cause:	A DRIVE-CLiQ communications error has occurred from the controller extension involved to the Control Unit. Fault cause: 1 (= 01 hex): Checksum error (CRC error). 2 (= 02 hex): Telegram is shorter than specified in the length byte or in the receive list. 3 (= 03 hex): Telegram is longer than specified in the length byte or in the receive list. 4 (= 04 hex): The length of the receive telegram does not match the receive list. 5 (= 05 hex): The type of the receive telegram does not match the receive list. 6 (= 06 hex): The address of the power unit in the telegram and in the receive list do not match. 9 (= 09 hex): The error bit in the receive telegram is set. 16 (= 10 hex): The receive telegram is too early. 17 (= 11 hex): CRC error and the receive telegram is too early. 18 (= 12 hex): The telegram is shorter than that specified in the length byte or in the receive list and the receive telegram is too early. 19 (= 13 hex): The telegram is longer than that specified in the length byte or in the receive list and the receive telegram is too early. 20 (= 14 hex): The length of the receive telegram does not match the receive list and the receive telegram is too early. 21 (= 15 hex): The type of the receive telegram does not match the receive list and the receive telegram is too early. 22 (= 16 hex): The address of the power unit in the telegram and in the receive list does not match and the receive telegram is too early. 25 (= 19 hex): The error bit in the receive telegram is set and the receive telegram is too early. Note regarding the message value: The individual information is coded as follows in the message value (r0949/r2124): 0000yyxx hex: yy = component number, xx = error cause
Remedy:	- carry out a POWER ON (power off/on). - check the electrical cabinet design and cable routing for EMC compliance - check the DRIVE-CLiQ wiring (interrupted cable, contacts, ...). See also: p9915 (DRIVE-CLiQ data transfer error shutdown threshold master)
F40875	CX32 DRIVE-CLiQ (CU): Supply voltage failed
Message class:	Supply voltage fault (undervoltage) (3)
Reaction:	OFF1 (OFF2)
Acknowledge:	IMMEDIATELY
Cause:	The DRIVE-CLiQ communication from the DRIVE-CLiQ component involved to the Control Unit signals that the supply voltage has failed. Fault cause: 9 (= 09 hex): The power supply voltage for the components has failed.

4 Faults and alarms

4.2 List of faults and alarms

Note regarding the message value:

The individual information is coded as follows in the message value (r0949/r2124):

0000yyxx hex: yy = component number, xx = error cause

Remedy:

- carry out a POWER ON (power off/on).
- check the supply voltage wiring of the DRIVE-CLiQ component (interrupted cable, contacts, ...).
- check the dimensioning of the DRIVE-CLiQ component power supply.

F40885

CX32 DRIVE-CLiQ (CU): Cyclic data transfer error

Message class:

Internal (DRIVE-CLiQ) communication error (12)

Reaction:

OFF2

Acknowledge:

IMMEDIATELY

Cause:

A DRIVE-CLiQ communications error has occurred from the controller extension involved to the Control Unit.
The nodes do not send and receive in synchronism.

Fault cause:

26 (= 1A hex):

Sign-of-life bit in the receive telegram not set and the receive telegram is too early.

33 (= 21 hex):

The cyclic telegram has not been received.

34 (= 22 hex):

Timeout in the telegram receive list.

64 (= 40 hex):

Timeout in the telegram send list.

98 (= 62 hex):

Error at the transition to cyclic operation.

Note regarding the message value:

The individual information is coded as follows in the message value (r0949/r2124):

0000yyxx hex: yy = component number, xx = error cause

Remedy:

- check the power supply voltage of the component involved.
 - carry out a POWER ON (power off/on).
 - replace the component involved.
- See also: p9915 (DRIVE-CLiQ data transfer error shutdown threshold master)

F40886

CX32 DRIVE-CLiQ (CU): Error when sending DRIVE-CLiQ data

Message class:

Internal (DRIVE-CLiQ) communication error (12)

Reaction:

OFF2

Acknowledge:

IMMEDIATELY

Cause:

A DRIVE-CLiQ communications error has occurred from the controller extension involved to the Control Unit.
Data were not able to be sent.

Fault cause:

65 (= 41 hex):

Telegram type does not match send list.

Note regarding the message value:

The individual information is coded as follows in the message value (r0949/r2124):

0000yyxx hex: yy = component number, xx = error cause

Remedy:

Carry out a POWER ON (power off/on).

F40887

CX32 DRIVE-CLiQ (CU): Component fault

Message class:

Internal (DRIVE-CLiQ) communication error (12)

Reaction:

OFF2

Acknowledge:

IMMEDIATELY

Cause:

Fault detected on the DRIVE-CLiQ component concerned. Faulty hardware cannot be excluded.

Fault cause:

32 (= 20 hex):

Error in the telegram header.

35 (= 23 hex):
Receive error: The telegram buffer memory contains an error.
66 (= 42 hex):
Send error: The telegram buffer memory contains an error.
67 (= 43 hex):
Send error: The telegram buffer memory contains an error.
96 (= 60 hex):
Response received too late during runtime measurement.
97 (= 61 hex):
Time taken to exchange characteristic data too long.
Note regarding the message value:
The individual information is coded as follows in the message value (r0949/r2124):
0000yyxx hex: yy = component number, xx = error cause

Remedy:

- check the DRIVE-CLiQ wiring (interrupted cable, contacts, ...).
- check the electrical cabinet design and cable routing for EMC compliance
- if required, use another DRIVE-CLiQ socket (p9904).
- replace the component involved.

F40895 CX32 DRIVE-CLiQ (CU): Cyclic data transfer error

Message class: Internal (DRIVE-CLiQ) communication error (12)
Reaction: OFF2
Acknowledge: IMMEDIATELY
Cause: A DRIVE-CLiQ communications error has occurred from the controller extension involved to the Control Unit.
Fault cause:
11 (= 0B hex):
Synchronization error during alternating cyclic data transfer.
Note regarding the message value:
The individual information is coded as follows in the message value (r0949/r2124):
0000yyxx hex: yy = component number, xx = error cause

Remedy: Carry out a POWER ON (power off/on).
See also: p9915 (DRIVE-CLiQ data transfer error shutdown threshold master)

A50001 (F) PROFINET configuration error

Message class: Communication error to the higher-level control system (9)
Reaction: NONE
Acknowledge: NONE
Cause: A PROFINET controller attempts to establish a connection using an incorrect configuring telegram. The "Shared Device" function has been activated (p8929 = 2).
Alarm value (r2124, interpret decimal):
10: A/F-CPU configures mixed PZD/PROFIsafe telegram.
13: F-CPU and PROFIsafe is not activated (p9601.3).
15: PROFIsafe telegram of the F-CPU does not match the setting in p9501.30.
See also: p9601 (SI enable functions integrated in the drive (processor 1))

Remedy: Check the configuration of the PROFINET controllers as well as the p8929 setting.

A50010 (F) PROFINET Name of Station invalid

Message class: Communication error to the higher-level control system (9)
Reaction: NONE
Acknowledge: NONE
Cause: PROFINET Name of Station is invalid.
Remedy: Correct the name of the station (p8920) and activate (p8925 = 2).
See also: p8920 (PN Name of Station)

4 Faults and alarms

4.2 List of faults and alarms

A50020 (F)	PROFINET: Second controller missing
Message class:	Communication error to the higher-level control system (9)
Reaction:	NONE
Acknowledge:	NONE
Cause:	The PROFINET function "Shared Device" has been activated (p8929 = 2). However, only the connection to a PROFINET controller is present.
Remedy:	Check the configuration of the PROFINET controllers as well as the p8929 setting.

F50510	FBLOCKS: Logon of the run-time group rejected
Message class:	General drive fault (19)
Reaction:	OFF2
Acknowledge:	IMMEDIATELY
Cause:	When the run-time groups of the free function blocks attempted to log on with the sampling time management, the logon of at least one run-time group was rejected. Too many different hardware sampling times may have been assigned to the free function blocks.
Remedy:	- Check number of available hardware sampling times ($T_{\text{sample}} < 8 \text{ ms}$) (r7903).

F50511	FBLOCKS: Memory no longer available for free function blocks
Message class:	General drive fault (19)
Reaction:	OFF2
Acknowledge:	IMMEDIATELY
Cause:	When the free function blocks were activated, more memory was requested than was available on the Control Unit.
Remedy:	Not necessary.

A50513 (F)	FBLOCKS: Run sequence value already assigned
Message class:	General drive fault (19)
Reaction:	NONE
Acknowledge:	NONE
Cause:	An attempt was made to assign a run sequence value already assigned to a function block on this drive object to another additional function block on the same drive object. A run sequence value can only be precisely assigned to one function block on one drive object.
Remedy:	Set another value that is still available on this drive object for the run sequence.

A50517	FBLOCKS: Int. meas. active
Message class:	General drive fault (19)
Reaction:	NONE
Acknowledge:	NONE
Cause:	A Siemens internal measurement has been activated.
Remedy:	Carry out a POWER ON (power off/on) for the Control Unit involved.

F50518	FBLOCKS: Sampling time of free run-time group differs at download
Message class:	General drive fault (19)
Reaction:	NONE
Acknowledge:	IMMEDIATELY
Cause:	In the STARTER/SCOUT project that was downloaded, the hardware sampling time of a free run-time group ($1 \leq p20000[i] \leq 256$) was set to a value that was either too low or too high. The sampling time must be between 1 ms and the value r20003 - r20002. If the sampling time of the selected free run-time group is $< 1 \text{ ms}$, the equivalent value of 1 ms is used. If the value $\geq r20003$, then the sampling time is set to the next higher or the same software sampling time $\geq r21003$. Fault value (r0949, interpret decimal): Number of the p20000 index of the run-time group where the sampling time is incorrectly set. Number of the run-time group = fault value + 1
Remedy:	- correctly set the sampling time of the run-time group. - if required, take all of the blocks from the run-time group.

Note:

Fault F50518 only detects an incorrectly parameterized run-time group. If, after correcting p20000[i] in the project, this error occurs again at download, then the run-time group involved should be identified using the fault value (r0949) and the sampling time correctly set.

Appendix

A

Content

A.1	ASCII table (characters that can be displayed)	1144
A.2	List of abbreviations	1147

A.1 ASCII table (characters that can be displayed)

The following table includes the decimal and hexadecimal notation of ASCII characters that can be displayed (printable).

Table A-1 ASCII table (characters that can be displayed)

Character	Decimal	Hexadecimal	Meaning
	32	20	Space
!	33	21	Exclamation mark
"	34	22	Quotation mark
#	35	23	Number sign
\$	36	24	Dollar
%	37	25	Percent
&	38	26	Ampersand
'	39	27	Apostrophe, closing single quotation mark
(40	28	Opening parenthesis
)	41	29	Closing parenthesis
*	42	2A	Asterisk
+	43	2B	Plus
,	44	2C	Comma
-	45	2D	Hyphen, minus
.	46	2E	Period, decimal point
/	47	2F	Slash, slant
0	48	30	Digit 0
1	49	31	Digit 1
2	50	32	Digit 2
3	51	33	Digit 3
4	52	34	Digit 4
5	53	35	Digit 5
6	54	36	Digit 6
7	55	37	Digit 7
8	56	38	Digit 8
9	57	39	Digit 9
:	58	3A	Colon
;	59	3B	Semicolon
<	60	3C	Less than
=	61	3D	Equals
>	62	3E	Greater than
?	63	3F	Question mark
@	64	40	Commercial At

Table A-1 ASCII table (characters that can be displayed), continued

Character	Decimal	Hexadecimal	Meaning
A	65	41	Capital letter A
B	66	42	Capital letter B
C	67	43	Capital letter C
D	68	44	Capital letter D
E	69	45	Capital letter E
F	70	46	Capital letter F
G	71	47	Capital letter G
H	72	48	Capital letter H
I	73	49	Capital letter I
J	74	4A	Capital letter J
K	75	4B	Capital letter K
L	76	4C	Capital letter L
M	77	4D	Capital letter M
N	78	4E	Capital letter N
O	79	4F	Capital letter O
P	80	50	Capital letter P
Q	81	51	Capital letter Q
R	82	52	Capital letter R
S	83	53	Capital letter S
T	84	54	Capital letter T
U	85	55	Capital letter U
V	86	56	Capital letter V
W	87	57	Capital letter W
X	88	58	Capital letter X
Y	89	59	Capital letter Y
Z	90	5A	Capital letter Z
[91	5B	Opening bracket
\	92	5C	Backslash
]	93	5D	Closing bracket
^	94	5E	Circumflex
_	95	5F	Underline
'	96	60	Opening single quotation mark
a	97	61	Small letter a
b	98	62	Small letter b
c	99	63	Small letter c
d	100	64	Small letter d

Table A-1 ASCII table (characters that can be displayed), continued

Character	Decimal	Hexadecimal	Meaning
e	101	65	Small letter e
f	102	66	Small letter f
g	103	67	Small letter g
h	104	68	Small letter h
i	105	69	Small letter i
j	106	6A	Small letter j
k	107	6B	Small letter k
l	108	6C	Small letter l
m	109	6D	Small letter m
n	110	6E	Small letter n
o	111	6F	Small letter o
p	112	70	Small letter p
q	113	71	Small letter q
r	114	72	Small letter r
s	115	73	Small letter s
t	116	74	Small letter t
u	117	75	Small letter u
v	118	76	Small letter v
w	119	77	Small letter w
x	120	78	Small letter x
y	121	79	Small letter y
z	122	7A	Small letter z
{	123	7B	Opening brace
	124	7C	Vertical line
}	125	7D	Closing brace
~	126	7E	Tilde

A.2 List of abbreviations

Note

The following list of abbreviations includes all abbreviations and their meanings used in the entire SINAMICS family of drives.

Abbreviation	Source of abbreviation	Meaning
A		
A...	Alarm	Alarm
AC	Alternating Current	Alternating current
ADC	Analog Digital Converter	Analog-digital converter
AI	Analog Input	Analog input
AIM	Active Interface Module	Active Interface Module
ALM	Active Line Module	Active Line Module
AO	Analog Output	Analog output
AOP	Advanced Operator Panel	Advanced Operator Panel
APC	Advanced Positioning Control	Advanced Positioning Control
AR	Automatic Restart	Automatic restart
ASC	Armature Short-Circuit	Armature short-circuit
ASCII	American Standard Code for Information Interchange	American standard code for information interchange
AS-i	AS-Interface (Actuator Sensor Interface)	AS-interface (open bus system in automation technology)
ASM	Asynchronmotor	Induction motor
B		
BB	Betriebsbedingung	Operating condition
BERO	-	Proximity switch
BI	Binector Input	Binector input
BIA	Berufsgenossenschaftliches Institut für Arbeitssicherheit	BG-Institute for Occupational Safety and Health
BICO	Binector Connector Technology	Binector connector technology
BLM	Basic Line Module	Basic Line Module
BO	Binector Output	Binector output
BOP	Basic Operator Panel	Basic Operator Panel
C		
C	Capacitance	Capacitance
C...	-	Safety message
CAN	Controller Area Network	Serial bus system
CBC	Communication Board CAN	Communication Board CAN
CBE	Communication Board Ethernet	Communication Board PROFINET (Ethernet)
CD	Compact Disk	Compact disk
CDS	Command Data Set	Command data set
CF card	CompactFlash card	CompactFlash card
CI	Connector Input	Connector input

Abbreviation	Source of abbreviation	Meaning
CLC	Clearance Control	Clearance control
CNC	Computer Numerical Control	Computer-supported numerical control
CO	Connector Output	Connector output
CO/BO	Connector Output / Binector Output	Connector/binector output
COB ID	CAN Object Identification	CAN object identification
CoL	Certificate of License	Certificate of License
COM	Common contact of a changeover relay	Center contact on a changeover contact
COMM	Commissioning	Commissioning
CP	Communications Processor	Communications processor
CPU	Central Processing Unit	Central processing unit
CRC	Cyclic Redundancy Check	Cyclic redundancy check
CSM	Control Supply Module	Control Supply Module
CU	Control Unit	Control Unit
CUA	Control Unit Adapter	Control Unit Adapter
CUD	Control Unit DC MASTER	Control Unit DC MASTER
D		
DAC	Digital Analog Converter	Digital-analog converter
DC	Direct Current	Direct current
DCB	Drive Control Block	Drive Control Block
DCBRK	DC Brake	DC braking
DCC	Drive Control Chart	Drive Control Chart
DCN	Direct Current Negative	Direct current negative
DCP	Direct Current Positive	Direct current positive
DDS	Drive Data Set	Drive data set
DI	Digital Input	Digital input
DI/DO	Digital Input / Digital Output	Bidirectional digital input/output
DMC	DRIVE-CLiQ Hub Module Cabinet	DRIVE-CLiQ Hub Module Cabinet
DME	DRIVE-CLiQ Hub Module External	DRIVE-CLiQ Hub Module External
DMM	Double Motor Module	Double Motor Module
DO	Digital Output	Digital output
DO	Drive Object	Drive object
DP	Decentralized Peripherals	Distributed peripherals
DPRAM	Dual Ported Random Access Memory	Dual-port random access memory
DQ	DRIVE-CLiQ	DRIVE-CLiQ
DRAM	Dynamic Random Access Memory	Dynamic random access memory
DRIVE-CLiQ	Drive Component Link with IQ	Drive Component Link with IQ
DSC	Dynamic Servo Control	Dynamic Servo Control
DTC	Digital Time Clock	Timer
E		
EASC	External Armature Short-Circuit	External armature short-circuit
EDS	Encoder data set	Encoder data set
EEPROM	Electrically Erasable Programmable Read-Only Memory	Electrically Erasable Programmable Read-Only-Memory

Abbreviation	Source of abbreviation	Meaning
EGB	Elektrostatisch gefährdete Baugruppen	Electrostatic sensitive devices
ELCB	Earth Leakage Circuit-Breaker	Residual current operated circuit breaker
ELP	Earth Leakage Protection	Ground-fault monitoring
EMC	Electromagnetic Compatibility	Electromagnetic compatibility
EMF	Electromotive Force	Electromotive force
EMK	Elektromotorische Kraft	Electromotive force
EMV	Elektromagnetische Verträglichkeit	Electromagnetic compatibility
EN	Europäische Norm	European standard
EnDat	Encoder-Data-Interface	Encoder interface
EP	Enable Pulses	Enable pulses
EPOS	Einfachpositionierer	Basic positioner
ES	Engineering System	Engineering system
ESB	Ersatzschaltbild	Equivalent circuit diagram
ESD	Electrostatic Sensitive Devices	Electrostatic sensitive devices
ESM	Essential Service Mode	Essential service mode
ESR	Extended Stop and Retract	Extended stop and retract
F		
F...	Fault	Fault
FAQ	Frequently Asked Questions	Frequently asked questions
FBLOCKS	Free Blocks	Free function blocks
FCC	Function Control Chart	Function control chart
FCC	Flux Current Control	Flux current control
FD	Function Diagram	Function diagram
F-DI	Fail-safe Digital Input	Fail-safe digital input
F-DO	Fail-safe Digital Output	Fail-safe digital output
FEM	Fremderregter Synchronmotor	Separately excited synchronous motor
FEPRM	Flash EPROM	Non-volatile write and read memory
FG	Function Generator	Function generator
FI	-	Residual current
FOC	Fiber-Optic Cable	Fiber-optic cable
FP	Funktionsplan	Function diagram
FPGA	Field Programmable Gate Array	Field programmable gate array
FW	Firmware	Firmware
G		
GB	Gigabyte	Gigabyte
GC	Global Control	Global control telegram (broadcast telegram)
GND	Ground	Reference potential for all signal and operating voltages, usually defined as 0 V (also referred to as M)
GSD	Generic Station Description	Generic Station Description: Describes the features of a PROFIBUS slave
GSV	Gate Supply Voltage	Gate supply voltage
GUID	Globally Unique Identifier	Globally unique identifier

Abbreviation	Source of abbreviation	Meaning
H		
HF	High Frequency	High frequency
HFD	Hochfrequenzdrossel	High-frequency reactor
HLA	Hydraulic Linear Actuator	Hydraulic linear drive
HLG	Hochlaufgeber	Ramp-function generator
HM	Hydraulic Module	Hydraulic Module
HMI	Human Machine Interface	Human machine interface
HTL	High-Threshold Logic	Logic with high fault threshold
HW	Hardware	Hardware
I		
i. V.	In Vorbereitung	Under development: This property is currently not available
I/O	Input/Output	Input/output
I2C	Inter-Integrated Circuit	Internal serial data bus
IASC	Internal Armature Short-Circuit	Internal armature short-circuit
IBN	Inbetriebnahme	Commissioning
ID	Identifier	Identification
IE	Industrial Ethernet	Industrial Ethernet
IEC	International Electrotechnical Commission	International Electrotechnical Commission
IF	Interface	Interface
IGBT	Insulated Gate Bipolar Transistor	Bipolar transistor with insulated control electrode
IGCT	Integrated Gate-Controlled Thyristor	Semiconductor power switch with integrated control electrode
IL	Impulslöschung	Pulse suppression
IP	Internet Protocol	Internet protocol
IPO	Interpolator	Interpolator
IT	Isolé Terre	Non-grounded three-phase line supply
IVP	Internal Voltage Protection	Internal voltage protection
J		
JOG	Jogging	Jogging
K		
KDV	Kreuzweiser Datenvergleich	Data cross-check
KHP	Know-How Protection	Know-how protection
KIP	Kinetische Pufferung	Kinetic buffering
Kp	-	Proportional gain
KTY	-	Special temperature sensor
L		
L	-	Symbol for inductance
LED	Light Emitting Diode	Light-emitting diode
LIN	Linear motor	Linear motor
LR	Lageregler	Position controller
LSB	Least Significant Bit	Least significant bit
LSC	Line-Side Converter	Line-side converter

Abbreviation	Source of abbreviation	Meaning
LSS	Line-Side Switch	Line-side switch
LU	Length Unit	Length unit
LWL	Lichtwellenleiter	Fiber-optic cables
M		
M	-	Symbol for torque
M	Mass	Reference potential for all signal and operating voltages, usually defined as 0 V (also referred to as GND)
MB	Megabyte	Megabyte
MCC	Motion Control Chart	Motion Control Chart
MDI	Manual Data Input	Manual data input
MDS	Motor Data Set	Motor data set
MLFB	Maschinenlesbare Fabrikatebezeichnung	Machine-readable product code
MM	Motor Module	Motor Module
MMC	Man-Machine Communication	Man-machine communication
MMC	Micro Memory Card	Micro memory card
MSB	Most Significant Bit	Most significant bit
MSC	Motor-Side Converter	Motor-side converter
MSCY_C1	Master Slave Cycle Class 1	Cyclic communication between master (class 1) and slave
MSR	Motorstromrichter	Motor-side converter
MT	Messtaster	Probe
N		
N. C.	Not Connected	Not connected
N...	No Report	No report or internal message
NAMUR	Normenarbeitsgemeinschaft für Mess- und Regeltechnik in der chemischen Industrie	Standardization association for measurement and control in chemical industries
NC	Normally Closed (contact)	NC contact
NC	Numerical Control	Numerical control
NEMA	National Electrical Manufacturers Association	Standardization body in the US
NM	Nullmarke	Zero mark
NO	Normally Open (contact)	NO contact
NSR	Netzstromrichter	Line-side converter
NVRAM	Non-Volatile Random Access Memory	Non-volatile read/write memory
O		
OA	Open Architecture	Software component (technology package) which provides additional functions for the SINAMICS drive system
OAIF	Open Architecture Interface	Version of the SINAMICS firmware from which the OA-application can be used
OASP	Open Architecture Support Package	Expands the STARTER commissioning tool by the corresponding OA-application
OC	Operating Condition	Operating condition
OEM	Original Equipment Manufacturer	Original equipment manufacturer

Abbreviation	Source of abbreviation	Meaning
OLP	Optical Link Plug	Bus connector for fiber-optic cable
OMI	Option Module Interface	Option Module Interface
P		
p...	-	Setting parameters
P1	Processor 1	CPU 1
P2	Processor 2	CPU 2
PB	PROFIBUS	PROFIBUS
PcCtrl	PC Control	Master control
PD	PROFIdrive	PROFIdrive
PDS	Power unit Data Set	Power unit data set
PE	Protective Earth	Protective ground
PELV	Protective Extra-Low Voltage	Safety extra-low voltage
PEM	Permanenterregter Synchronmotor	Permanent-magnet synchronous motor
PG	Programmiergerät	Programming device
PI	Proportional Integral	Proportional integral
PID	Proportional Integral Differential	Proportional integral differential
PLC	Programmable Logic Controller	Programmable logic controller
PLL	Phase-Locked Loop	Phase-locked loop
PM	Power Module	Power Module
PN	PROFINET	PROFINET
PNO	PROFIBUS Nutzerorganisation	PROFIBUS user organization
PPI	Point-to-Point Interface	Point-to-point interface
PRBS	Pseudo Random Binary Signal	White noise
PROFIBUS	Process Field Bus	Serial data bus
PS	Power Supply	Power supply
PSA	Power Stack Adapter	Power Stack Adapter
PTC	Positive Temperature Coefficient	Positive temperature coefficient
PTP	Point-To-Point	Point-to-point
PWM	Pulse Width Modulation	Pulse width modulation
PZD	Prozessdaten	Process data
Q		
R		
r ...	-	Display parameters (read only)
RAM	Random Access Memory	Read/write memory
RCCB	Residual Current Circuit Breaker	Residual current operated circuit breaker
RCD	Residual Current Device	Residual current operated circuit breaker
RCM	Residual Current Monitor	Residual current monitor
RFG	Ramp-Function Generator	Ramp-function generator
RJ45	Registered Jack 45	Term for an 8-pin socket system for data transmission with shielded or non-shielded multi-wire copper cables
RKA	Rückkühlanlage	Cooling unit
RLM	Renewable Line Module	Renewable Line Module

Abbreviation	Source of abbreviation	Meaning
RO	Read Only	Read only
ROM	Read-Only Memory	Read-only memory
RPDO	Receive Process Data Object	Receive process data object
RS 232	Recommended Standard 232	Interface standard for cable-connected serial data transmission between a sender and receiver (also known as EIA232)
RS485	Recommended Standard 485	Interface standard for a cable-connected differential, parallel, and/or serial bus system (data transmission between a number of senders and receivers, also known as EIA485)
RTC	Real-Time Clock	Real-time clock
RZA	Raumzeigerapproximation	Space vector approximation
S		
S1	-	Continuous duty
S3	-	Intermittent duty
SAM	Safe Acceleration Monitor	Safe acceleration monitoring
SBC	Safe Brake Control	Safe brake control
SBH	Sicherer Betriebshalt	Safe operating stop
SBR	Safe Brake Ramp	Safe brake ramp monitoring
SBT	Safe Brake Test	Safe brake test
SCA	Safe Cam	Safe cam
SD Card	SecureDigital Card	Secure digital memory card
SDI	Safe Direction	Safe motion direction
SE	Sicherer Software-Endschalter	Safe software limit switches
SG	Sicher reduzierte Geschwindigkeit	Safely-limited speed
SGA	Sicherheitsgerichteter Ausgang	Safety-related output
SGE	Sicherheitsgerichteter Eingang	Safety-related input
SH	Sicherer Halt	Safe standstill
SI	Safety Integrated	Safety Integrated
SIL	Safety Integrity Level	Safety integrity level
SLM	Smart Line Module	Smart Line Module
SLP	Safely-Limited Position	Safely limited position
SLS	Safely-Limited Speed	Safely-limited speed
SLVC	Sensorless Vector Control	Vector control without encoder
SM	Sensor Module	Sensor Module
SMC	Sensor Module Cabinet	Sensor Module Cabinet
SME	Sensor Module External	Sensor Module External
SMI	Sensor Module Integrated	SINAMICS Sensor Module Integrated
SMM	Single Motor Module	Single Motor Module
SN	Sicherer Software-Nocken	Safe software cam
SOS	Safe Operating Stop	Safe operating stop
SP	Service Pack	Service pack
SP	Safe Position	Safe position
SPC	Setpoint Channel	Setpoint channel

Abbreviation	Source of abbreviation	Meaning
SPI	Serial Peripheral Interface	Serial peripheral interface
SPS	Speicherprogrammierbare Steuerung	Programmable Logic Controller
SS1	Safe Stop 1	Safe stop 1 (monitored for time and ramp)
SS2	Safe Stop 2	Safe stop 2
SSI	Synchronous Serial Interface	Synchronous serial interface
SSM	Safe Speed Monitor	Safe feedback from speed monitor
SSP	SINAMICS Support Package	SINAMICS support package
STO	Safe Torque Off	Safe torque off
STW	Steuerwort	Control word
T		
TB	Terminal Board	Terminal Board
TIA	Totally Integrated Automation	Totally Integrated Automation
TM	Terminal Module	Terminal Module
TN	Terre Neutre	Grounded three-phase line supply
Tn	-	Integral-action time
TPDO	Transmit Process Data Object	Transmit process data object
TT	Terre Terre	Grounded three-phase line supply
TTL	Transistor-Transistor Logic	Transistor-transistor logic
Tv	-	Derivative action time
U		
UL	Underwriters Laboratories Inc.	Underwriters Laboratories Inc.
UPS	Uninterruptible Power Supply	Uninterruptible power supply
USV	Unterbrechungsfreie Stromversorgung	Uninterruptible power supply
UTC	Universal Time Coordinated	Universal time coordinated
V		
VC	Vector Control	Vector control
Vdc	-	DC-link voltage
VdcN	-	Partial DC-link voltage, negative
VdcP	-	Partial DC-link voltage, positive
VDE	Verband Deutscher Elektrotechniker	Association of German Electrical Engineers
VDI	Verein Deutscher Ingenieure	Association of German Engineers
VPM	Voltage Protection Module	Voltage Protection Module
Vpp	Volt peak to peak	Volt peak-to-peak
VSM	Voltage Sensing Module	Voltage Sensing Module
W		
WEA	Wiedereinschaltautomatik	Automatic restart
WZM	Werkzeugmaschine	Machine tool
X		
XML	Extensible Markup Language	Extensible Markup Language (standard language for Web publishing and document management)

Abbreviation	Source of abbreviation	Meaning
Y		
Z		
ZK	Zwischenkreis	DC link
ZM	Zero Mark	Zero mark
SW	Zustandswort	Status word

Index

Numbers

- 1020
 - Explanation of the symbols (part 1), 690
- 1021
 - Explanation of the symbols (part 2), 691
- 1022
 - Explanation of the symbols (part 3), 692
- 1030
 - Handling BICO technology, 693
- 2201
 - Connection overview, 695
- 2221
 - Digital inputs, electrically isolated (DI 0 ... DI 5), 696
- 2222
 - Digital inputs, electrically isolated (DI 6, DI 16 ... DI 19), 697
- 2230
 - Digital inputs/outputs, bidirectional (DI/DO 24 to DI/DO 25), 698
- 2231
 - Digital inputs/outputs, bidirectional (DI/DO 26 to DI/DO 27), 699
- 2242
 - Digital outputs (DO 0 ... DO 2), 700
- 2251
 - Analog inputs (AI 0 ... AI 1), 701
- 2261
 - Analog outputs (AO 0 ... AO 1), 702
- 2272
 - Two-wire control, 703
- 2273
 - Three-wire control, 704
- 2381
 - Control commands and interrogation commands, 706
- 2382
 - States, 707
- 2401
 - PROFIBUS (PB)/PROFINET (PN), Overview, 709
- 2410
 - PROFIBUS (PB) / PROFINET (PN), addresses and diagnostics, 710
- 2421
 - Standard telegrams and process data (PZD), 711
- 2422
 - Manufacturer-specific/free telegrams and process data (PZD), 712
- 2440
 - PZD receive signals interconnection, 713
- 2441
 - STW1 control word interconnection (p2038 = 2), 714
- 2442
 - STW1 control word interconnection (p2038 = 0), 715
- 2444
 - STW2 control word interconnection (p2038 = 0), 716
- 2446
 - STW3 control word interconnection, 717
- 2450
 - PZD send signals interconnection, 718
- 2451
 - ZSW1 status word interconnection (p2038 = 2), 719
- 2452
 - ZSW1 status word interconnection (p2038 = 0), 720
- 2454
 - ZSW2 status word interconnection (p2038 = 0), 721
- 2456
 - ZSW3 status word interconnection, 722
- 2460
 - MELDW status word interconnection, 723
- 2462
 - POS_STW positioning control word interconnection, 724
- 2463
 - POS_STW1 positioning control word 1 interconnection, 725
- 2464
 - POS_STW2 positioning control word 2 interconnection, 726
- 2465
 - POS_ZSW positioning status word interconnection, 727
- 2466
 - POS_ZSW1 positioning status word 1 interconnection, 728
- 2467
 - POS_ZSW2 positioning status word 2 interconnection, 729
- 2468
 - Receive telegram, free interconnection via BICO (p0922 = 999), 730
- 2470
 - Send telegram, free interconnection via BICO (p0922 = 999), 731

- 2472
 - Status words, free interconnection, 732
- 2476
 - SATZANW - block selection interconnection, 733
- 2477
 - AKTSATZ status word interconnection, 734
- 2480
 - MDI_MOD - MDI mode interconnection, 735
- 2501
 - Control word, sequence control, 751
- 2503
 - Status word, sequence control, 752
- 2505
 - Control word, setpoint channel, 753
- 2510
 - Status word 1 (r0052), 754
- 2511
 - Status word 2 (r0053), 755
- 2512
 - Control word 1 (r0054), 756
- 2513
 - Control word 2 (r0055), 757
- 2520
 - Control word, speed controller (r1406), 758
- 2522
 - Status word, speed controller (r1407), 759
- 2526
 - Status word, closed-loop control (r0056), 760
- 2530
 - Status word, current control (r1408), 761
- 2534
 - Status word, monitoring functions 1, 762
- 2536
 - Status word, monitoring functions 2, 763
- 2537
 - Status word, monitoring functions 3, 764
- 2546
 - Control word, faults/alarms, 765
- 2548
 - Status word, faults/alarms 1 and 2, 766
- 2610
 - Sequence control - Sequencer, 767
- 2634
 - Sequence control - Missing enables, 768
- 2701
 - Basic brake control, 770
- 2800
 - Parameter manager, 772
- 2802
 - Monitoring functions and faults/alarms, 773
- 2804
 - Status words, 774
- 2810
 - STO (Safe Torque Off), SS1 (Safe Stop 1), 775
- 2812
 - F-DI (Fail-safe Digital Input), 776
- 2814
 - SBC (Safe Brake Control), 777
- 2819
 - SS1 (Safe Stop 1), internal STOP A, B, F, 779
- 2820
 - SLS (Safely-Limited Speed), 780
- 2823
 - SSM (Safe Speed Monitor), 781
- 2824
 - SDI (Safe Direction), 782
- 2840
 - Control and status word, 783
- 2850
 - Fail-safe digital inputs (F-DI 0 ... F-DI 2), 784
- 2853
 - Fail-safe digital output (F-DO 0), 785
- 2855
 - Extended Functions via F-DI (p9601.2 = 1 and p9601.3 = 0), 786
 - F-DI assignment, 787
- 2857
 - F-DO assignment, 788
- 2858
 - Extended functions via PROFIsafe (9601.2 = 1 and 9601.3 = 1), 789
- 2915
 - Standard telegrams, 791
- 2917
 - Manufacturer-specific telegrams, 792
- 3001
 - Setpoint channel, 794
- 3010
 - Fixed speed setpoints, binary selection (p1016 = 2), 795
- 3011
 - Fixed speed setpoints, direct selection (p1016 = 1), 796
- 3020
 - Motorized potentiometer, 797
- 3030
 - Main/supplementary setpoint, setpoint scaling, jogging, 798
- 3040
 - Direction limitation and direction reversal, 799
- 3050
 - Skip frequency bands and speed limitations, 800
- 3060
 - Basic ramp-function generator, 801
- 3070
 - Extended ramp-function generator, 802
- 3080
 - Ramp-function generator selection, -status word, -tracking, 803

- 3095
 - Generation of the speed limits (r0108.8 = 0), 805
- 3610
 - Jog mode, 807
- 3612
 - Referencing/reference point approach mode (p2597 = 0 signal), 808
- 3614
 - Flying referencing mode (p2597 = 1 signal), 809
- 3615
 - Traversing block mode, external block change, 810
- 3616
 - Traversing block mode, 811
- 3617
 - Travel to fixed stop, 812
- 3618
 - Direct setpoint input / MDI mode, dynamic values, 813
- 3620
 - Direct setpoint input / MDI mode, 814
- 3625
 - Mode control, 815
- 3630
 - Traversing range limits, 816
- 3635
 - Interpolator, 817
- 3640
 - Control word, block selection / MDI selection, 818
- 3645
 - Status word 1, 819
- 3646
 - Status word 2, 820
- 3650
 - Status word, active traversing block/MDI active, 821
- 4010
 - Position actual value preprocessing, 823
- 4015
 - Position controller, 824
- 4020
 - Standstill monitoring / positioning monitoring, 825
- 4025
 - Dynamic following error monitoring, cam controllers, 826
- 4704
 - Position and temperature sensing, encoders 1 ... 2, 828
- 4715
 - Speed actual value and pole pos. sensing, motor encoder ASM/SM (encoder 1), 829
- 4720
 - Encoder interface, receive signals, encoders 1 ... 3, 830
- 4730
 - Encoder interface, send signals, encoders 1 ... 2, 831
- 4735
 - Encoder evaluation, reference mark search with external zero mark, encoder 1, 832
- 4750
 - Absolute value for incremental encoder, 833
- 6020
 - Speed control and generation of the torque limits, overview, 835
- 6030
 - Speed setpoint, droop, 836
- 6031
 - Pre-control balancing, acceleration model, 837
- 6040
 - Speed controller, 838
- 6050
 - Kp_n-/Tn_n adaptation, 839
- 6060
 - Torque setpoint, 840
- 6220
 - Vdc_max controller and Vdc_min controller (PM240), 841
- 6300
 - U/f control, overview, 842
- 6301
 - U/f characteristic and voltage boost, 843
- 6310
 - Resonance damping and slip compensation, 844
- 6320
 - Vdc_max controller and Vdc_min controller (PM240), (U/f), 845
- 6490
 - Speed control configuration, 846
- 6491
 - Flux control configuration, 847
- 6630
 - Upper/lower torque limit, 848
- 6640
 - Current/power/torque limits, 849
- 6700
 - Current control, overview, 850
- 6710
 - Current setpoint filter, 851
- 6714
 - Iq and Id controllers, 852
- 6721
 - Id setpoint (PEM, p0300 = 2), 853
- 6722
 - Field weakening characteristic, Id setpoint (ASM, p0300 = 1), 854
- 6723
 - Field weakening controller, flux controller (ASM, p0300 = 1), 855
- 6724
 - Field weakening controller (PEM, p0300 = 2xx), 856

- 6730
 - Interface to the Power Module (ASM, p0300 = 1), 857
- 6731
 - Interface to the Power Module (PEM, p0300 = 2xx), 858
- 6799
 - Display signals, 859
- 7017
 - DC brake (p0300 = 1), 861
- 7200
 - Sampling times of the runtime groups, 863
- 7210
 - AND (AND function blocks with 4 inputs), 864
- 7212
 - OR (OR function blocks with 4 inputs), 865
- 7214
 - XOR (XOR function blocks with 4 inputs), 866
- 7216
 - NOT (inverter), 867
- 7220
 - ADD (adder with 4 inputs),
SUB (subtractor), 868
- 7222
 - MUL (multiplier),
DIV (divider), 869
- 7224
 - AVA (absolute value generator), 870
- 7225
 - NCM (numeric comparator), 871
- 7226
 - PLI (polyline scaling), 872
- 7230
 - MFP (pulse generator),
PCL (pulse contractor), 873
- 7232
 - PDE (ON delay), 874
- 7233
 - PDF (OFF delay), 875
- 7234
 - PST (pulse stretcher), 876
- 7240
 - RSR (RS flip-flop),
DFR (D flip-flop), 877
- 7250
 - BSW (binary change-over switch), NSW (numeric
change-over switch), 878
- 7260
 - LIM (limiter), 879
- 7262
 - PT1 (smoothing element), 880
- 7264
 - INT (integrator),
DIF (derivative-action element), 881
- 7270
 - LVM (double-sided limit monitor with hysteresis), 882
- 7950
 - Fixed value selection binary (p2216 = 2), 884
- 7951
 - Fixed value selection direct (p2216 = 1), 885
- 7954
 - Motorized potentiometer, 886
- 7958
 - Closed-loop control (vector), 887
- 8005
 - Overview, signals and monitoring functions, 889
- 8010
 - Speed signals 1, 890
- 8011
 - Speed signals 2, 891
- 8012
 - Torque signals, motor blocked/stalled, 892
- 8013
 - Load monitoring, 893
- 8014
 - Thermal monitoring, power unit, 894
- 8016
 - Thermal monitoring, motor, 895
- 8017
 - Thermal motor models, 896
- 8020
 - Monitoring functions 1, 897
- 8021
 - Monitoring functions 2, 898
- 8050
 - Overview, diagnostics, 900
- 8060
 - Fault buffer, 901
- 8065
 - Alarm buffer, 902
- 8070
 - Faults/alarms trigger word (r2129), 903
- 8075
 - Faults/alarms configuration, 904
- 8560
 - Command Data Sets
(CDS), 906
- 8565
 - Drive Data Sets
(DDS), 907
- 8570
 - Encoder Data Sets
(EDS), 908
- 9204
 - CANopen, Receive telegram, free PDO mapping
(p8744 = 2), 737
- 9206
 - CANopen, Receive telegram, Predefined
Connection Set (p8744 = 1), 738

- 9208
CANopen, Send telegram, free PDO mapping
(p8744 = 2), 739
- 9210
CANopen, Send telegram, Predefined Connection
Set (p8744 = 1), 740
- 9220
CANopen, Control word CANopen, 741
- 9226
CANopen, Status word CANopen, 742
- 9310
Fieldbus interface, Configuration, addresses and
diagnostics, 744
- 9342
Fieldbus interface, STW1 control word
interconnection, 745
- 9352
Fieldbus interface, ZSW1 status word
interconnection, 746
- 9360
Fieldbus interface, Receive telegram, free
interconnection via BICO (p0922 = 999), 747
- 9370
Fieldbus interface, Send telegram, free
interconnection via BICO (p0922 = 999), 748
- 9372
Fieldbus interface, Status word, free interconnection,
749
- A**
- Acknowledgment
Adjustable, 918
Default, 918
IMMEDIATELY, 913
POWER ON, 913
PULSE INHIBIT, 913
- Adjustable parameters, 13
- Alarm
Cause, 918
Display, 910
Drive object, 918
Explanation of list, 914
Fault location, 915
General information, 910
How to distinguish an alarm from a fault, 910
List of all alarms, 922
Message class, 915
Message value, 915
Name, 915
Number, 914
Number range, 920
Remedy, 919
- Alarm buffer, 899
Alarm value, 918
- ASCII table, 1144
Axxxx, 914
- B**
- Basic positioner (EPOS), 806
BI, Binector Input, 14
BICO technology, 693
Binector
Input (BI), 14
Output (BO), 14
Bit field (parameter), 21
BO, Binector Output, 14
Brake control, 769
- C**
- Calculated, 15
Can be changed (parameters), 17
CDS, (Command Data Set), 18, 905, 906
CI, Connector Input, 14
CO, Connector Output, 14
CO/BO, Connector/Binector Output, 14
Command data sets, 905
Connector
Input (CI), 14
Output (CO), 14
Control
Technology controller, 887
Vector, 834
Control words, 705, 708, 736, 743
Converter
Binector/Connector, 732
Connector/binector, 730
Cxxxxx, 914
- D**
- Data Set, 905
Command data set, CDS, 18
Drive Data Set, DDS, 18
Encoder Data Set, EDS, 18
Motor Data Set, MDS, 18
Power unit Data Set, PDS, 18
- Data set, 905
Command data set, 18
Drive data set, 18
Encoder data set, 18
Motor data set, 18
Power unit data set, 18
- Data type (parameters), 16
DCBRK, 912
DDS, (Drive Data Set), 18, 905, 907
Dependency (parameter), 21
Description (parameter), 20
Direction limitation, 793, 804
Direction reversal, 793, 804

- Directory
 - ASCII table, 1144
 - Complete table of contents, 5
 - Index, 1157
 - List of abbreviations, 1147
 - Table of contents, function diagrams, 682
- Display
 - Alarms, 910
 - Faults, 910
- Display parameters, 13
- Drive data sets, 905
- Dynamic Index (parameters), 18
- E**
- EDS, (Encoder Data Set), 18, 905, 908
- ENCODER, 912
- Encoder data sets, 905
- Encoder evaluation, 827
- F**
- Factory setting, 20
- Fault
 - Acknowledgment, 913, 918
 - Cause, 918
 - Display, 910
 - Drive object, 918
 - Explanation of list, 914
 - Fault location, 915
 - Fault reaction, 911, 918
 - General information, 910
 - How to distinguish a fault from an alarm, 910
 - List of all faults, 922
 - Message class, 915
 - Message value, 915
 - Name, 915
 - Number, 914
 - Number range, 920
 - Remedy, 919
- Fault buffer, 899
 - Configuration, 901
- Fault value, 918
- Faults/alarms configuration, 899
- Faults/alarms triggering (r2129), 899
- Fixed speed setpoints, 793, 804
- Fixed values, 884, 885
- Free function blocks, 862
- Free telegrams, 712
- Function diagram (parameters), 19
- Function diagrams, basic positioner (EPOS)
 - Control word, block selection / MDI selection, 818
 - Direct setpoint input / MDI, 814
 - Direct setpoint input / MDI mode, dynamic values, 813
 - Flying referencing mode (p2597 = 1 signal), 809
 - Interpolator, 817
 - Jog mode, 807
 - Mode control, 815
 - Referencing/reference point approach mode (p2597 = 0 signal), 808
 - Status word 1, 819
 - Status word 2, 820
 - Status word, active traversing block/MDI active, 821
 - Travel to fixed stop, 812
 - Traversing block mode, 811
 - Traversing block mode, external block change, 810
 - Traversing range limits, 816
- Function diagrams, brake control
 - Basic brake control, 770
- Function diagrams, CANopen
 - Control word, CANopen, 741
 - Receive telegram, free PDO mapping (p8744 = 2), 737
 - Receive telegram, Predefined Connection Set (p8744 = 1), 738
 - Send telegram, free PDO mapping (p8744 = 2), 739
 - Send telegram, Predefined Connection Set (p8744 = 1), 740
 - Status word, CANopen, 742
- Function diagrams, data sets
 - Command Data Sets (CDS), 906
 - Drive Data Sets (DDS), 907
 - Encoder Data Sets (EDS), 908
- Function diagrams, diagnostics
 - Alarm buffer, 902
 - Fault buffer, 901
 - Faults/alarms configuration, 904
 - Faults/alarms trigger word (r2129), 903
 - Overview, 900
- Function diagrams, encoder evaluation
 - Absolute value for incremental encoder, 833
 - Encoder interface, receive signals, encoders 1 ... 3, 830
 - Encoder interface, send signals, encoders 1 ... 2, 831
 - Position and temperature sensing, encoders 1 ... 2, 828
 - Reference mark search with external zero mark, encoder 1, 832
 - Speed actual value and pole pos. sensing, motor encoder ASM/SM (encoder 1), 829
- Function diagrams, fieldbus interface
 - Configuration, addresses and diagnostics, 744
 - Receive telegram, free interconnection via BICO (p0922 = 999), 747
 - Send telegram, free interconnection via BICO (p0922 = 999), 748

- Status word, free interconnection, 749
- STW1 control word interconnection, 745
- ZSW1 status word interconnection, 746
- Function diagrams, free function blocks
 - ADD (adder with 4 inputs), 868
 - AND, 864
 - AVA (absolute value generator), 870
 - BSW (binary change-over switch), 878
 - DFR (D flip-flop), 877
 - DIF (derivative-action element), 881
 - DIV (divider), 869
 - INT (integrator), 881
 - LIM (limiter), 879
 - LVM (double-sided limit monitor with hysteresis), 882
 - MFP (pulse generator), 873
 - MUL (multiplier), 869
 - NCM (numeric comparator), 871
 - NOT (inverter), 867
 - NSW (numeric change-over switch), 878
 - OR, 865
 - PCL (pulse contractor), 873
 - PDE (ON delay), 874
 - PDF (OFF delay), 875
 - PLI (polyline scaling), 872
 - PST (pulse stretcher), 876
 - PT1 (smoothing element), 880
 - RSR (RS flip-flop), 877
 - Sampling times of the runtime groups, 863
 - SUB (subtractor), 868
 - XOR (exclusive OR), 866
- Function diagrams, general information
 - Explanation of the symbols (part 1), 690
 - Explanation of the symbols (part 2), 691
 - Explanation of the symbols (part 3), 692
 - Handling BICO technology, 693
- Function diagrams, input/output terminals
 - Analog inputs (AI 0 ... AI 1), 701
 - Analog outputs (AO 0 ... AO 1), 702
 - Connection overview, 695
 - Digital inputs, isolated (DI 0 ... DI 5), 696
 - Digital inputs, electrically isolated (DI 6, DI 16 ... DI 19), 697
 - Digital inputs/outputs, bidirectional (DI/DO 24 to DI/DO 25), 698
 - Digital inputs/outputs, bidirectional (DI/DO 26 to DI/DO 27), 699
 - Digital outputs (DO 0 ... DO 2), 700
 - Three-wire control, 704
 - Two-wire control, 703
- Function diagrams, internal control/status words
 - Control word 1 (r0054), 756
 - Control word 2 (r0055), 757
 - Control word, faults/alarms, 765
 - Control word, sequence control, 751
 - Control word, setpoint channel, 753
 - Control word, speed controller, 758
 - Sequence control - Missing enables, 768
 - Sequence control - Sequencer, 767
 - Status word 1 (r0052), 754
 - Status word 2 (r0053), 755
 - Status word, closed-loop control, 760
 - Status word, closed-loop current control, 761
 - Status word, faults/alarms 1 and 2, 766
 - Status word, monitoring functions 1, 762
 - Status word, monitoring functions 2, 763
 - Status word, monitoring functions 3, 764
 - Status word, sequence control, 752
 - Status word, speed controller, 759
- Function diagrams, position control
 - Cam controllers, 826
 - Dynamic following error monitoring, 826
 - Position actual value preprocessing, 823
 - Position controller, 824
 - Standstill monitoring / positioning monitoring, 825
- Function diagrams, PROFIdrive
 - AKTSATZ status word interconnection, 734
 - Manufacturer-specific/free telegrams and process data (PZD), 712
 - MDI_MOD - MDI mode interconnection, 735
 - MELDW status word interconnection, 723
 - POS_STW positioning control word interconnection, 724
 - POS_STW1 positioning control word 1 interconnection, 725
 - POS_STW2 positioning control word 2 interconnection, 726
 - POS_ZSW positioning status word interconnection, 727
 - POS_ZSW1 positioning status word 1 interconnection, 728
 - POS_ZSW2 positioning status word 2 interconnection, 729
 - PROFIBUS (PB) / PROFINET (PN), addresses and diagnostics, 710
 - PROFIBUS (PB)/PROFINET (PN), Overview, 709
 - PZD receive signals interconnection, 713
 - PZD send signals interconnection, 718
 - Receive telegram, free interconnection via BICO (p0922 = 999), 730
 - SATZANW - block selection interconnection, 733
 - Send telegram, free interconnection via BICO (p0922 = 999), 731
 - Standard telegrams and process data (PZD), 711
 - Status words, free interconnection, 732
 - STW1 control word interconnection (p2038 = 0), 715
 - STW1 control word interconnection (p2038 = 2), 714
 - STW2 control word interconnection (p2038 = 0), 716
 - STW3 control word interconnection, 717
 - ZSW1 status word interconnection (p2038 = 0), 720
 - ZSW1 status word interconnection (p2038 = 2), 719

- ZSW2 status word interconnection (p2038 = 0), 721
 - ZSW3 status word interconnection, 722
 - Function diagrams, PROFlenergy
 - Control commands and interrogation commands, 706
 - States, 707
 - Function diagrams, Safety Integrated Basic Functions
 - F-DI (Fail-safe Digital Input), 776
 - Monitoring functions and faults/alarms, 773
 - Parameter manager, 772
 - SBC (Safe Brake Control), 777
 - Status words, 774
 - STO (Safe Torque Off), SS1 (Safe Stop 1), 775
 - Function diagrams, Safety Integrated Extended Functions
 - Control and status word, 783
 - Extended Functions via F-DI (p9601.2 = 1 and p9601.3 = 0), 786
 - Extended functions via PROFIsafe (9601.2 = 1 and 9601.3 = 1), 789
 - Fail-safe digital inputs (F-DI 0 ... F-DI 2), 784
 - Fail-safe digital output (F-DO 0), 785
 - F-DI assignment, 787
 - F-DO assignment, 788
 - SDI (Safe Direction), 782
 - SLS (Safely-Limited Speed), 780
 - SS1 (Safe Stop 1), internal STOP A, B, F, 779
 - SSM (Safe Speed Monitor), 781
 - Function diagrams, Safety Integrated PROFIsafe
 - Manufacturer-specific telegrams, 792
 - Standard telegrams, 791
 - Function diagrams, setpoint channel
 - Basic ramp-function generator, 801
 - Direction limitation and direction reversal, 799
 - Extended ramp-function generator, 802
 - Fixed speed setpoints, binary selection (p1016 = 2), 795
 - Fixed speed setpoints, direct selection (p1016 = 1), 796
 - Main/supplementary setpoint, setpoint scaling, jogging, 798
 - Motorized potentiometer, 797
 - Overview, 794
 - Ramp-function generator selection, -status word, -tracking, 803
 - Skip frequency bands and speed limitations, 800
 - Function diagrams, setpoint channel not activated
 - Generation of the speed limits (r0108.8 = 0), 805
 - Function diagrams, signals and monitoring functions
 - Load monitoring, 893
 - Monitoring functions 1, 897
 - Monitoring functions 2, 898
 - Overview, 889
 - Speed signals 1, 890
 - Speed signals 2, 891
 - Thermal monitoring, motor, 895
 - Thermal monitoring, power unit, 894
 - Thermal motor models, 896
 - Torque signals, motor blocked/stalled, 892
 - Function diagrams, technology controller
 - Closed-loop control (vector), 887
 - Fixed value selection binary (p2216 = 2), 884
 - Fixed value selection direct (p2216 = 1), 885
 - Motorized potentiometer, 886
 - Function diagrams, technology functions
 - DC brake (p0300 = 1), 861
 - Function diagrams, U/f control
 - Overview, 842
 - Resonance damping and slip compensation, 844
 - U/f characteristic and voltage boost, 843
 - Function diagrams, vector control
 - Current control, overview, 850
 - Current setpoint filter, 851
 - Current/power/torque limits, 849
 - Display signals, 859
 - Field weakening characteristic, Id setpoint (ASM, p0300 = 1), 854
 - Field weakening controller (PEM, p0300 = 2xx), 856
 - Field weakening controller, flux controller (ASM, p0300 = 1), 855
 - Flux control configuration, 847
 - Id setpoint (PEM, p0300 = 2), 853
 - Interface to the Power Module (ASM, p0300 = 1), 857
 - Interface to the Power Module (PEM, p0300 = 2xx), 858
 - Iq and Id controllers, 852
 - Kp_n-/Tn_n adaptation, 839
 - Pre-control balancing, acceleration model, 837
 - Speed control and generation of the torque limits, overview, 835
 - Speed control configuration, 846
 - Speed controller, 838
 - Speed setpoint, droop, 836
 - Torque setpoint, 840
 - Upper/lower torque limit, 848
 - Vdc_max controller and Vdc_min controller (PM240), 841
 - Vdc_max controller and Vdc_min controller (PM240), (U/f), 845
 - Fxxxx, 914
- ## G
- General information
 - about function diagrams, 689
 - about parameters, 12
 - on faults and alarms, 910

I

IASC, 912
 Index
 Parameters, 13
 Index (parameters), 20
 Industrial security, 9
 Internal control words, 750
 Internal control/status words, 750

J

Jogging, 793, 798, 804

L

Linked parameters, 13
 List
 Abbreviations, 1147
 ASCII table, 1144
 Binector inputs (BI parameters), 662
 Binector outputs (BO parameters), 667
 Command data sets, 650
 Connector inputs (CI parameters), 665
 Connector outputs (CO parameters), 669
 Connector/binector outputs (CO/BO parameters), 673
 Drive data sets, 652
 Encoder data sets, 660
 Faults and alarms, 922
 Message ranges, 920
 Motor data sets, 657
 Parameter ranges, 22
 Parameters for quick commissioning, 678
 Parameters for write protection and know-how protection, 676
 Parameters, all, 25
 Power unit data sets, 660
 List of abbreviations, 1147
 Load monitoring, 888

M

Manufacturer-specific telegrams, 712
 MDS, (Motor Data Set), 18
 Message buffer, 899
 Message class, 915
 Message value, 915
 Monitoring functions, 888
 Motorized potentiometer, 793, 804, 886

N

Name
 Alarm, 915
 Fault, 915
 Number
 Alarm, 914
 Fault, 914
 Parameters, 13

Number range
 Alarms, 920
 Faults, 920
 Parameters, 22
 Number ranges of faults and alarms, 920

O

OFF1, 911
 OFF1_DELAYED, 911
 OFF2, 911
 OFF3, 912

P

Parameters
 Access level, 15
 Bit field, 21
 Calculated, 15
 Can be changed, 17
 Command data sets, 650
 CU variants, 14
 Data type, 16
 Dependency, 21
 Description, 20
 Drive data sets, 652
 Dynamic Index, 18
 Encoder data sets, 660
 Full name, 14
 Function diagram, 19
 Index, 13, 20
 Linked parameters, 13
 List for quick commissioning, 678
 List of all parameters, 25
 List of the binector inputs, 662
 List of the binector outputs, 667
 List of the connector inputs, 665
 List of the connector outputs, 669
 List of the connector/binector outputs, 673
 Motor data sets, 657
 Number, 13
 Number range, 22
 Parameter values, 20
 Power unit data sets, 660
 Recommendation, 20
 Safety instructions, 21
 Scaling, 17
 Short name, 14
 Unit group, 18
 Unit selection, 18
 Values, 20
 Password for access level 4, 15
 PDS, (Power unit Data Set), 18
 Position control, 822
 Process data, 705, 708, 736, 743
 PROFIBUS, 705, 708, 736, 743
 PROFIdrive, 705, 708, 736, 743

PROFINET, 705, 708, 736, 743
pxxxx, 13

Q

Quick commissioning (parameters), 678

R

Ramp-function generator, 793, 804
Reaction to faults, 911
Resetting faults, 918
rxxxx, 13

S

Safety instructions
 Fundamental, 7
 General, 8
 Industrial security, 9
Safety instructions (parameter), 21
Safety Integrated
 Basic Functions, 771, 778, 790
 Extended Functions, 771, 778, 790
Scaling, 17
Setpoint channel, 793, 804
Signals, 888
Skip frequency bands, 793, 804
Speed control
 Vector, 834
Speed signals, 888
Standard telegrams, 711
Status words
 Free interconnection via BICO, 705, 708, 736, 743
 Internal, 750

STOP2, 912

T

Technology controller, 883
Technology functions, 860
Telegrams, 705, 708, 736, 743
Thermal monitoring, 888
Torque signals, 888

U

Unit (parameter), 18

V

Values (parameter), 20
Vector control
 Current setpoint filter, 851
 Droop, 836
 Iq and Id controllers, 852
 Kp_n-/Tn_n adaptation, 839
 Speed control configuration, 846
 Speed controller, 838
 Table of contents, 834
 Torque setpoint, 840
 Vdc_max controller and Vdc_min controller (PM240),
 841
 Vdc_max controller and Vdc_min controller (PM240),
 (U/f), 845
Version
 List of all parameters, 25
 List of faults and alarms, 922

Siemens AG
Industry Sector
Drive Technologies
Motion Control Systems
Postfach 3180
91050 ERLANGEN
GERMANY

Subject to change
© Siemens AG 2013 - 2014

Find out more on
SINAMICS G120
by scanning the
QR code.



www.siemens.com/sinamics-g120