

8PQ - EBS SENTRON 3WL Bgr. 1, 2
 8PQ - Assembly kit 3WL size 1, 2
 8PQ - Kit de montage SENTRON 3WL Taille 1, 2
 8PQ - Juego de mont. para SENTRON 3WL tam. 1, 2
 8PQ - Kit di montaggio 3WL Gr. 1, 2
 8PQ - Zestaw mont. 3WL wlk. 1, 2

8PQ6

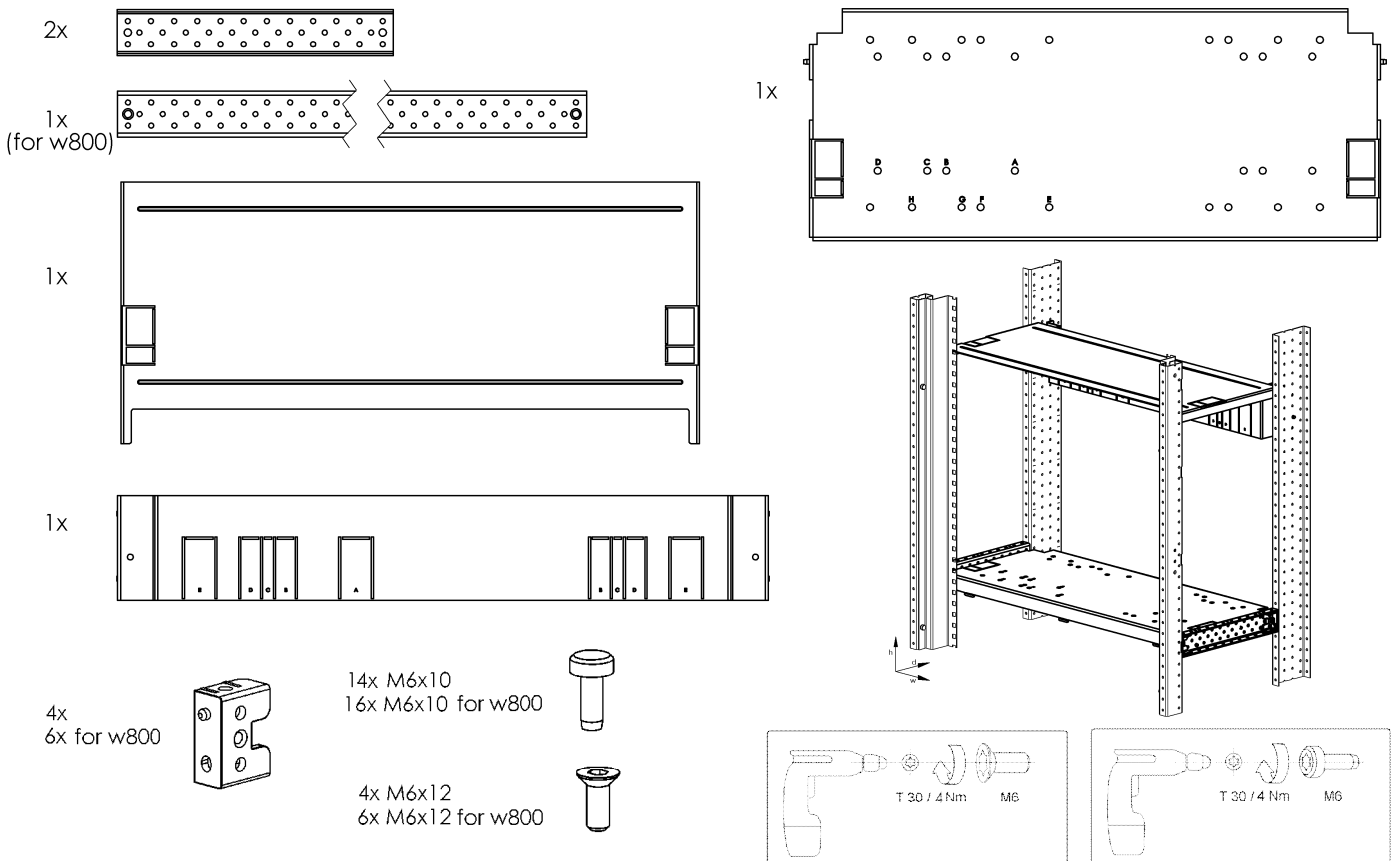


Montageanleitung Instrucciones de montaje	Mounting Instructions Istruzioni di montaggio	Instructions de montage Instruções de montagem	Bestell-Nr./Order No.: 8PQ9800-3AA42
--	--	---	--------------------------------------

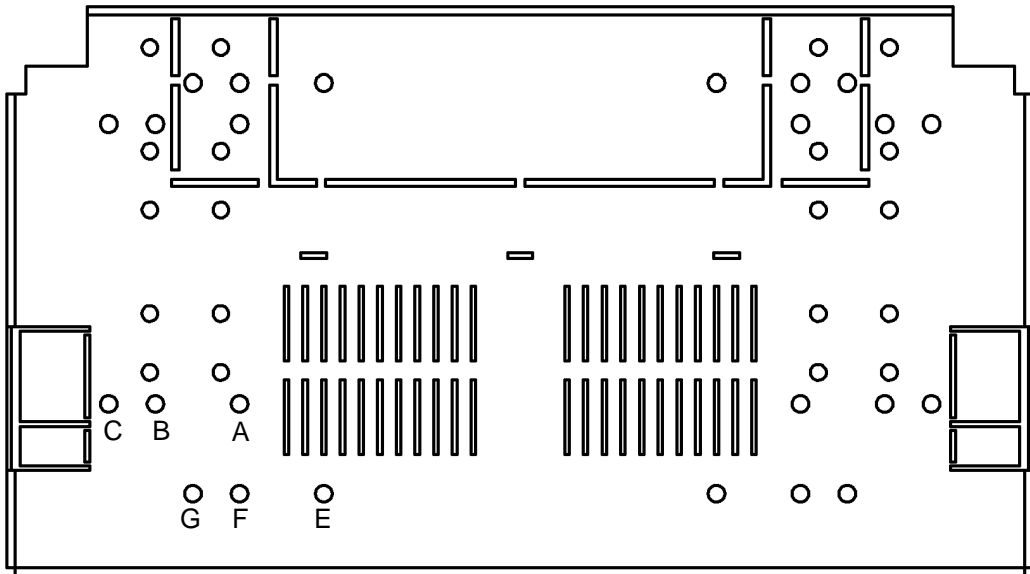
Vor der Montage der Teile muss diese Anleitung gelesen und verstanden werden.
 Read and understand these instructions before mounting the parts.
 Avant le montage, veuillez lire attentivement les présentes instructions.
 Antes del montaje de las piezas han de leerse y comprenderse estas instrucciones.
 Le presenti istruzioni devono essere lette e comprese prima di eseguire il montaggio dei componenti.
 Leia e compreenda estas instruções antes de montar as peças.

	⚠ GEFAHR Gefahr von Verletzung. Vor Beginn der Arbeiten Arbeitsschutz beachten.	⚠ DANGER Danger of injury. Take all industrial safety measures prior to starting the works.	⚠ DANGER Risque de blessure. Avant de commencer les opérations de montage, veuillez appliquer les consignes de sécurité.
	⚠ PELIGRO Riesgo de lesiones. Respete las protecciones laborales antes de comenzar el trabajo.	⚠ PERICOLO Pericolo di lesioni. Prima di iniziare verificare la sicurezza contro gli infortuni sul lavoro.	⚠ PERIGO Perigo de lesões. Antes de iniciar os trabalhos tenha atenção à protecção contra lesões.

Eine sichere Funktion ist nur mit zertifizierten Komponenten gewährleistet.
 Reliable functioning of the equipment is only ensured with certified components.
 Le fonctionnement sûr de l'appareil n'est garanti qu'avec des composants certifiés.
 El funcionamiento seguro del aparato sólo está garantizado con componentes certificados.
 Il funzionamento sicuro dell'apparecchiatura viene garantito soltanto con componenti certificati.
 O funcionamento seguro do aparelho apenas pode ser garantido se forem utilizados os componentes certificados.



w600

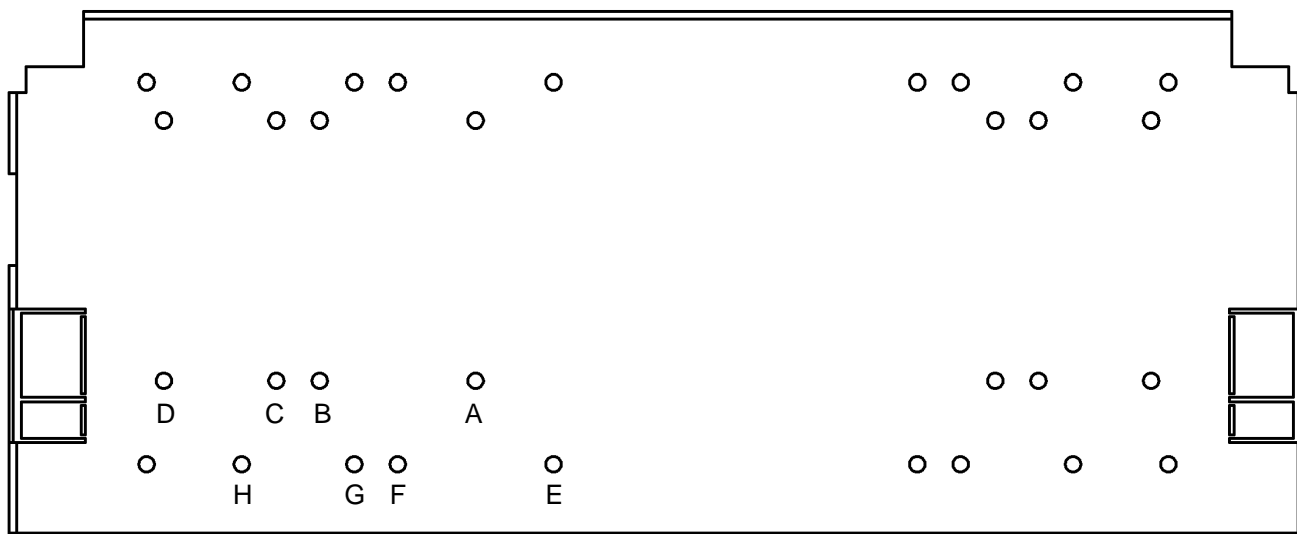


position	device
A	3WL frame size1 fixed mounting 3pole
B	3WL frame size1 fixed mounting 4pole
C	3WL frame size2 fixed mounting 3pole
E	3WL frame size1 withdrawable unit 3pole
F	3WL frame size1 withdrawable unit 4pole
G	3WL frame size2 withdrawable unit 3pole

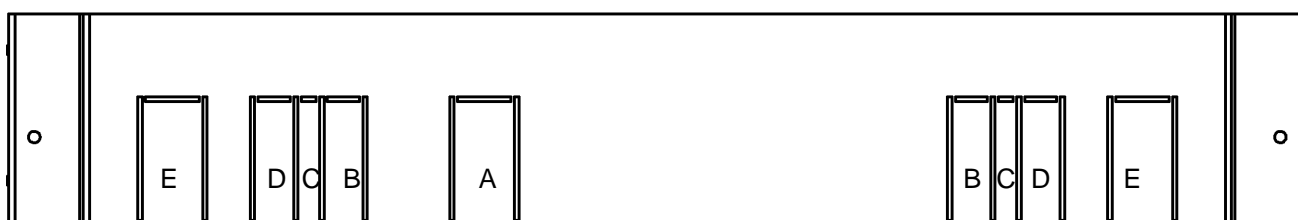


device	break out
3WL frame size1 withdrawable unit 3pole	A
3WL frame size1 withdrawable unit 4pole	B+C
3WL frame size2 withdrawable unit 3pole	C+D

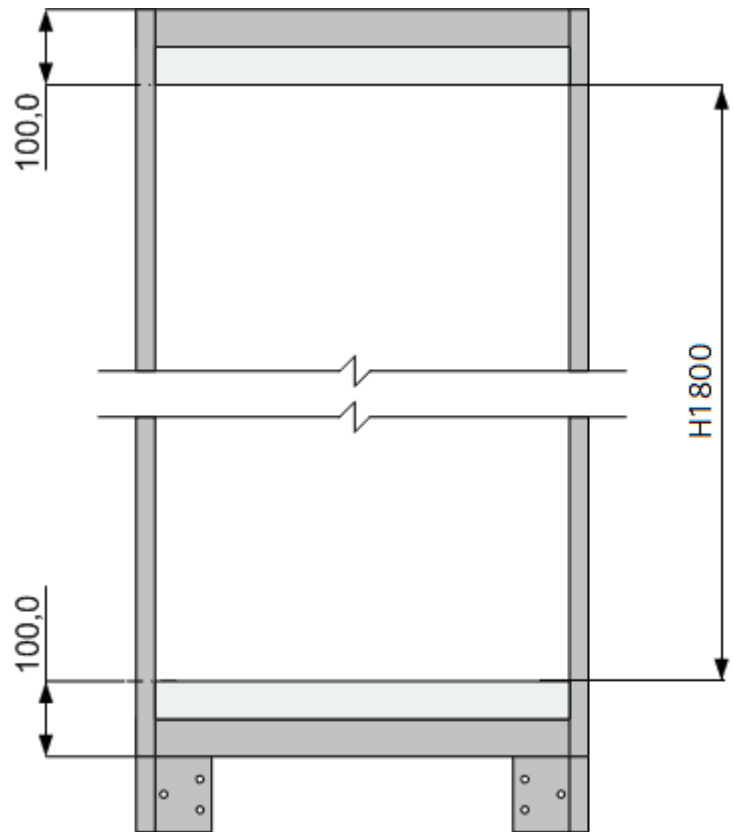
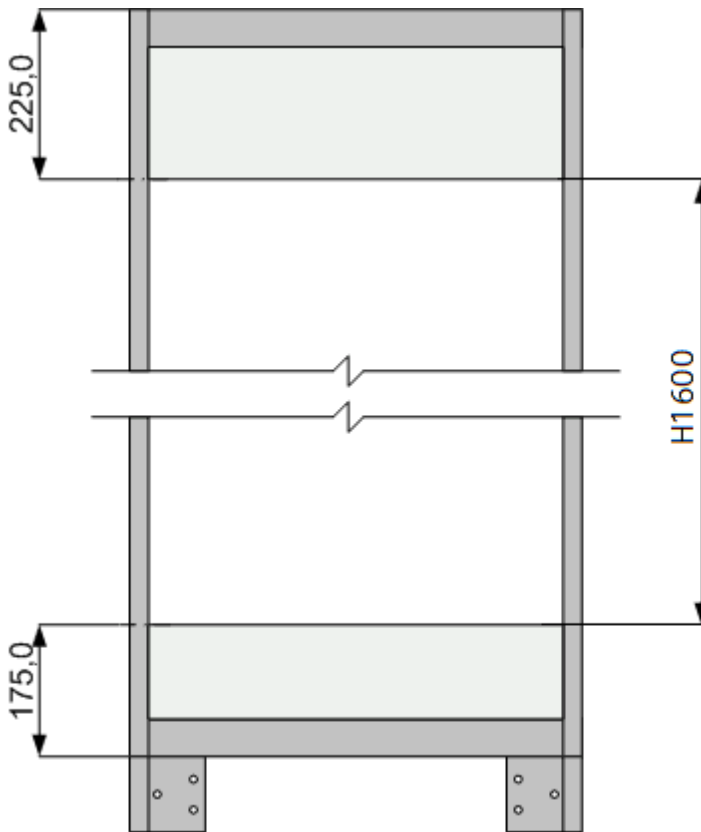
w800

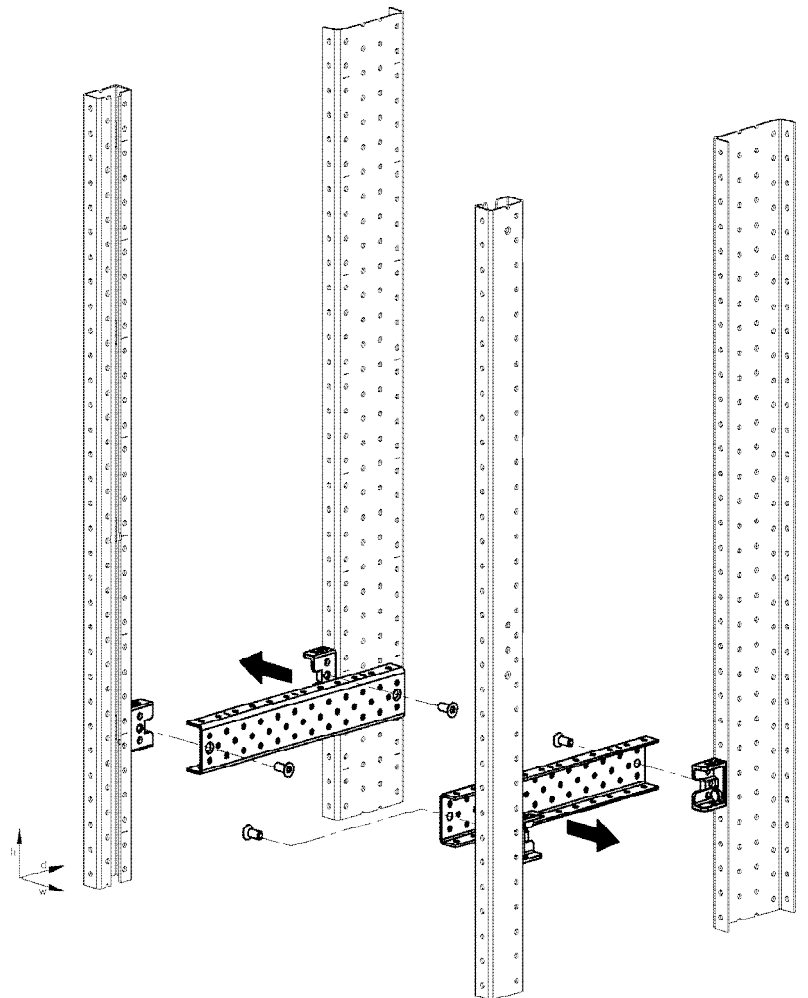
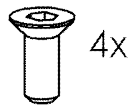
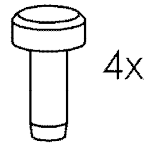
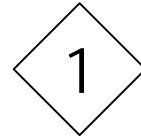
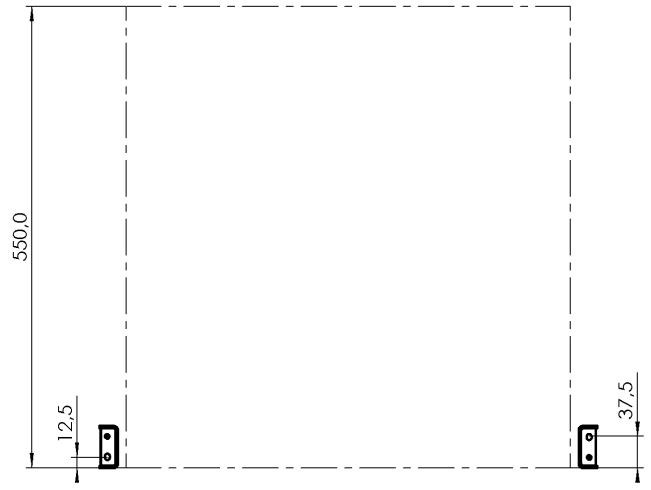
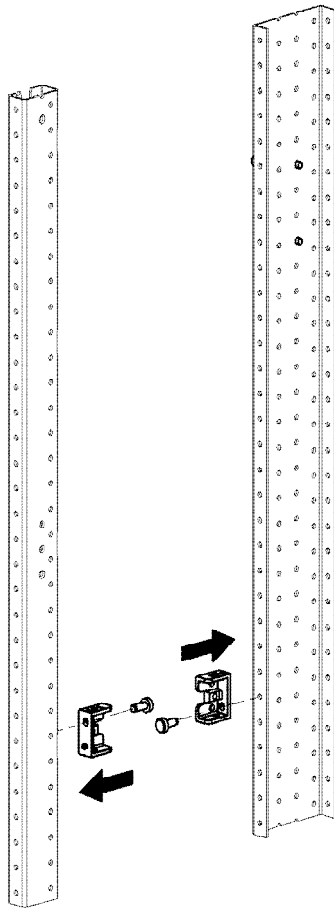
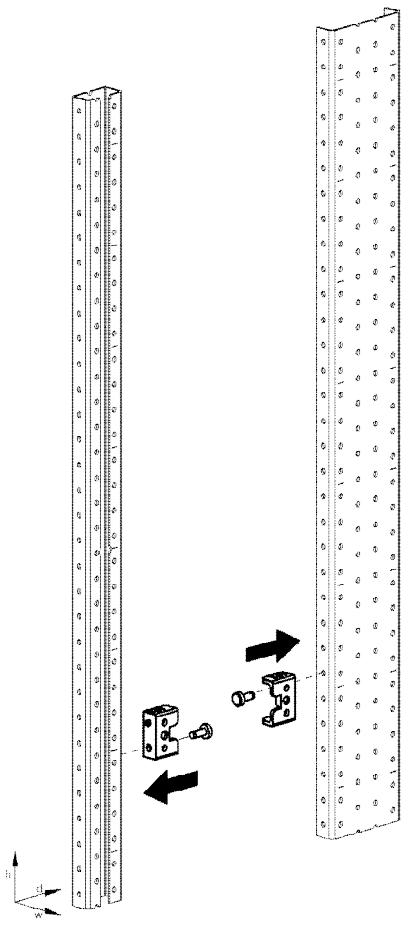


position	device
A	3WL frame size1 fixed mounting 3pole
B	3WL frame size1 fixed mounting 4pole
C	3WL frame size2 fixed mounting 3pole
D	3WL frame size2 fixed mounting 4pole
E	3WL frame size1 withdrawable unit 3pole
F	3WL frame size1 withdrawable unit 4pole
G	3WL frame size2 withdrawable unit 3pole
H	3WL frame size2 withdrawable unit 4pole

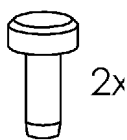


device	break out	
	left	right
3WL frame size1 withdrawable unit 3pole	A	B+C
3WL frame size1 withdrawable unit 4pole	B+C	B+C
3WL frame size2 withdrawable unit 3pole	C+D	C+D
3WL frame size2 withdrawable unit 4pole	E	E

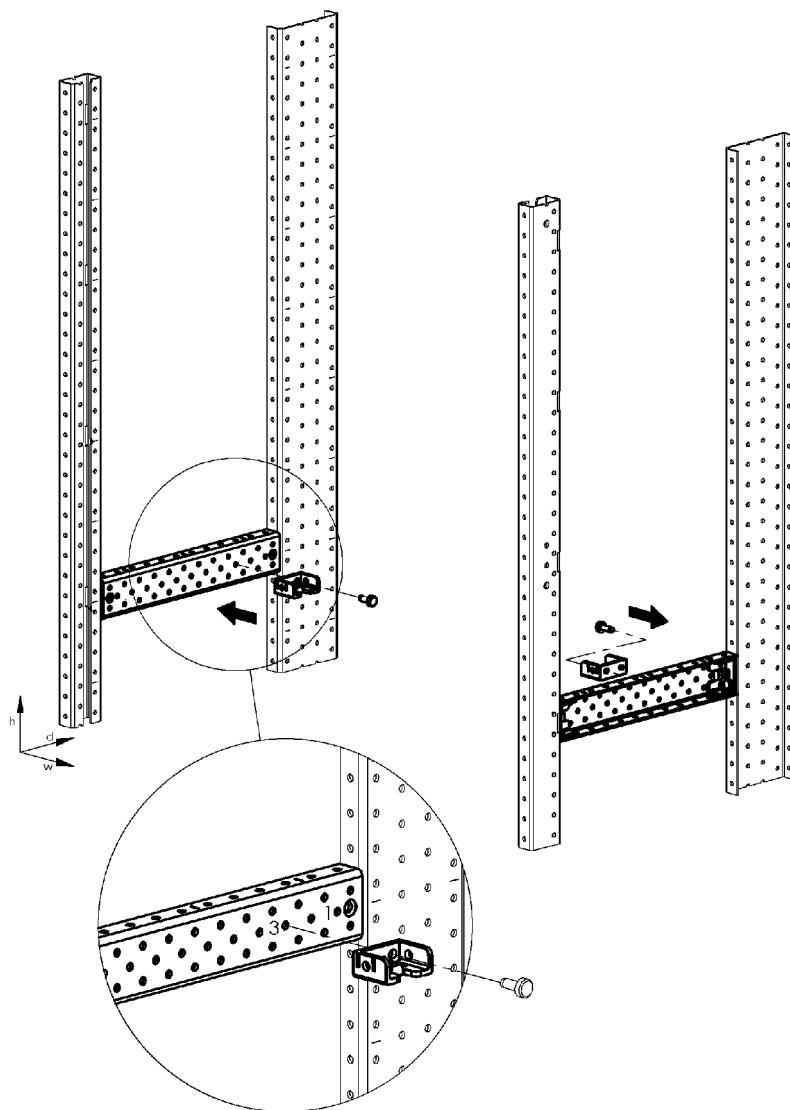




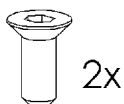
3



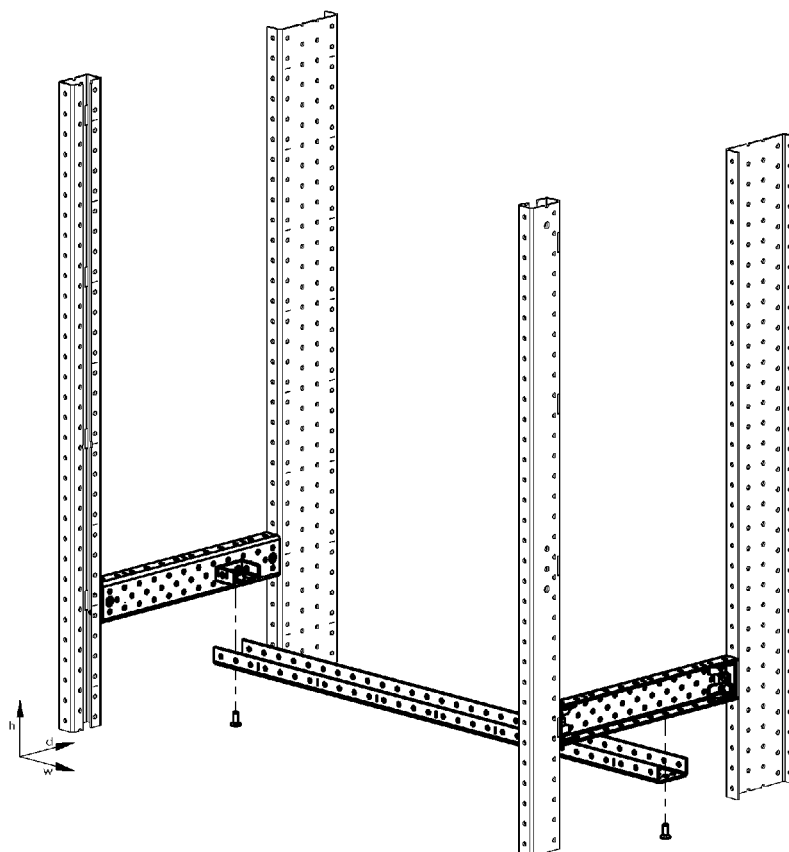
for w800



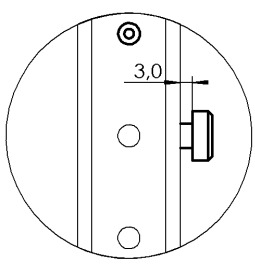
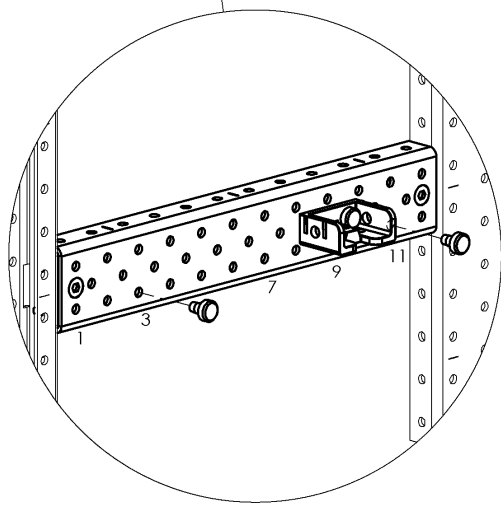
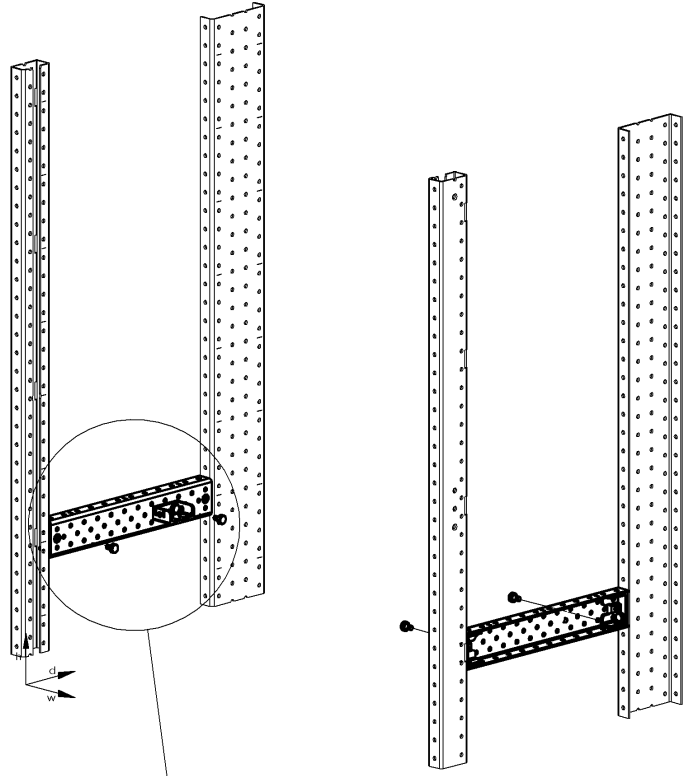
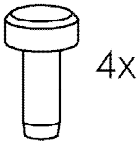
4



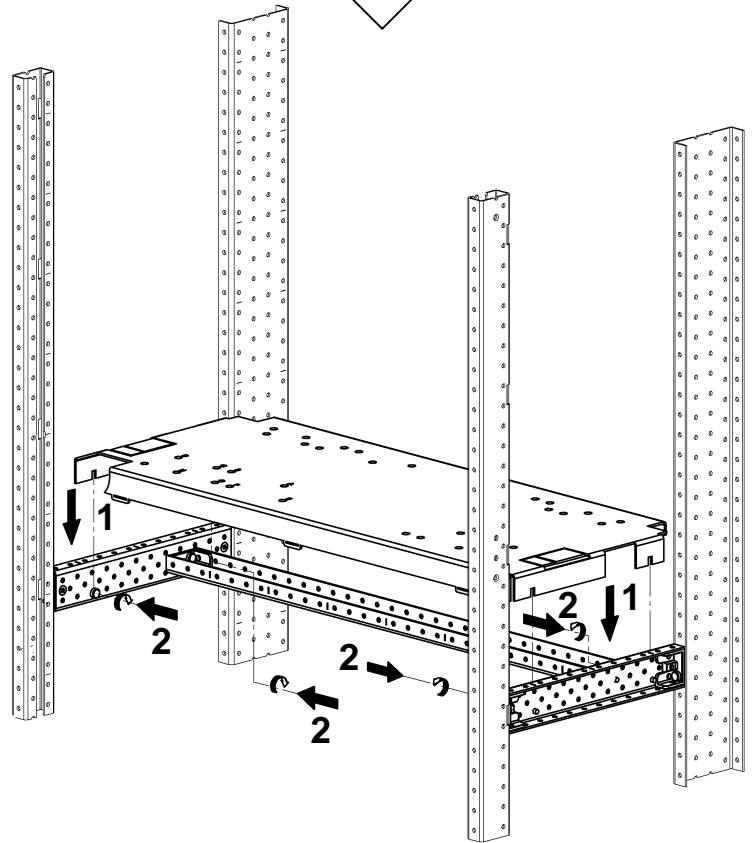
for w800

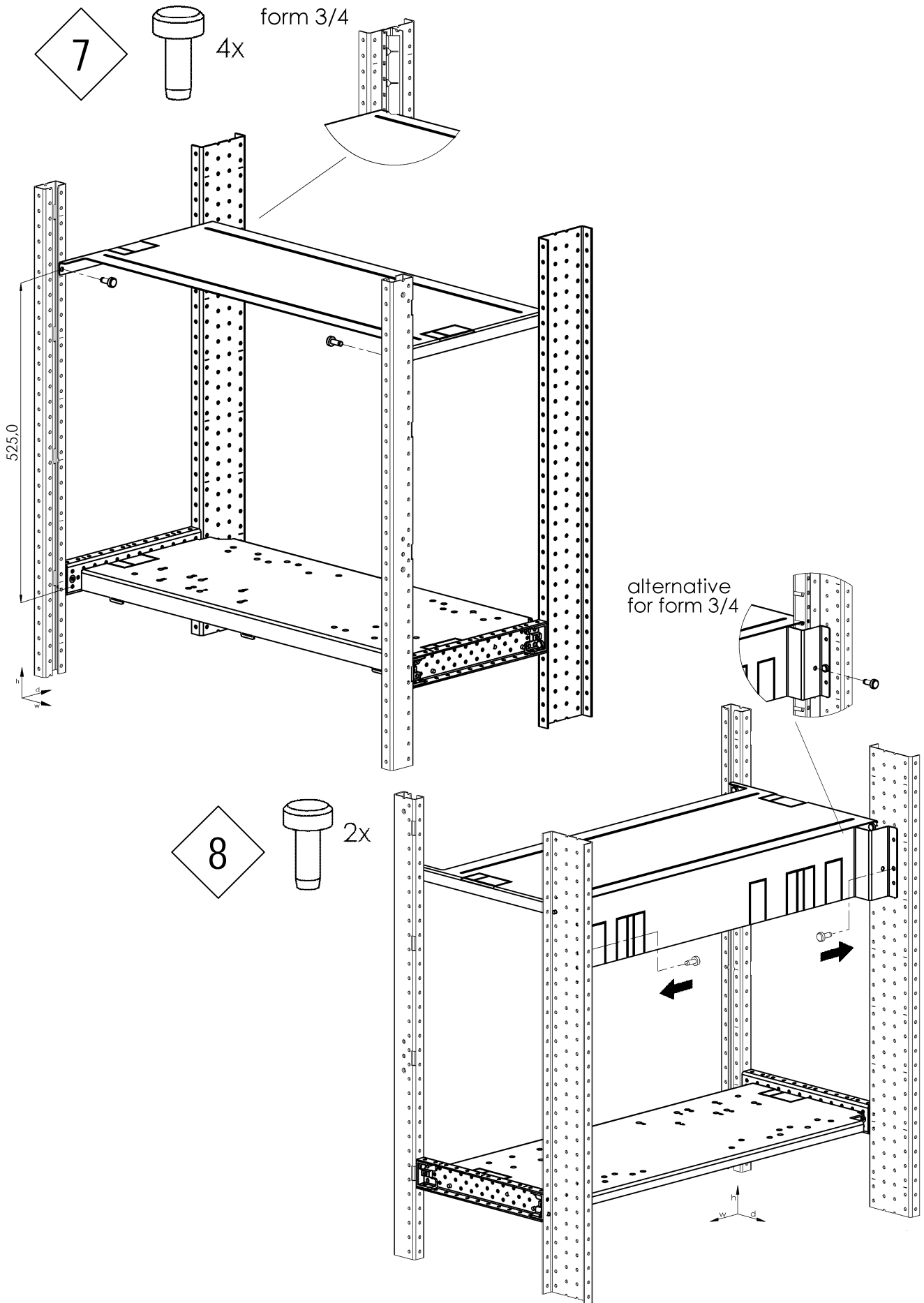


5



6





Technical Assistance: Telephone: +49 (0) 911-895-5900 (8⁰⁰ - 17⁰⁰ CET)

Fax: +49 (0) 911-895-5907

E-mail: technical-assistance@siemens.com

Internet: www.siemens.de/lowvoltage/technical-assistance

Technical Support: Telephone: +49 (0) 180 50 50 222

Technische Änderungen vorbehalten. Zum späteren Gebrauch aufbewahren.
Subject to change without prior notice. Store for use at a later date.
© Siemens AG 2013

Bestell-Nr./Order No.: 8PQ9800-3AA42
Printed in the Federal Republic of Germany