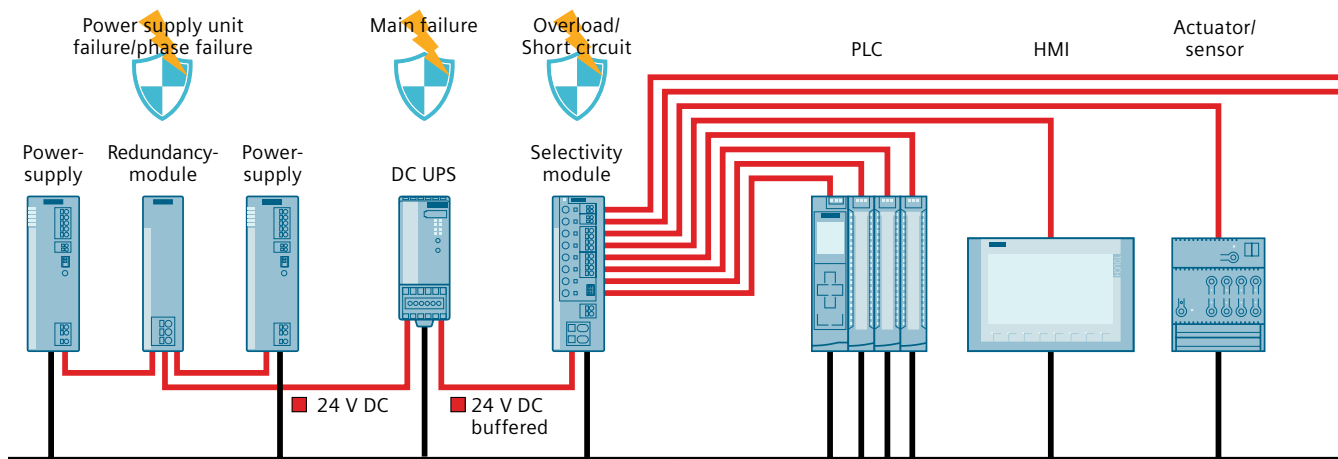


# 24 V DC power supply with all-round protection

New SITOP power supplies and add-on modules

SITOP all-round protection protects your automation system from various Interference on the network and the 24 V side can occur. This prevents an error the entire system comes to a standstill. Secure SITOP DC UPS modules the 24 V supply even in the event of a power failure. To protect against faults on the 24 V side ensure the new add-on modules in the same attractive design of the SITOP PSU6200 all-round power supply: Redundancy modules for safe decoupling of the power supply units in the event of a fault and selectivity modules for the electronic overload protection of individual 24 V feeders.



## The all-round power SITOP PSU6200 and their add-on modules

### Diagnostic overview

Visualization of the power supply status using diagnostic information<sup>1)</sup> for predictive maintenance

### Significant size reduction

Significantly reduced overall width compared to the combination of our conventional series<sup>2)</sup>

Overall width appr. 36%<sup>2)</sup> reduced

### Efficiency thanks to push-in

Push-in terminals<sup>3)</sup> for fast wiring

<sup>1)</sup> Function of SITOP PSU6200 as of 10 A and PSU6200 48 V/5 A, SEL1200, SEL1400 or UPS1600 USB/Ethernet.

<sup>2)</sup> Compared to previous products in the same category, single-phase 120–230 V AC, rated current 10 A, 8 selectively protected 24 V outputs:

So far: SITOP PSU100S 24 V DC/10 A 6EP1334-2BA20 x 2, PSE202U 10 A 6EP1964-2BA00 x 2, PSE200U 4 x 10 A 6EP1961-2BA41 x 2, UPS1600 10 A 6EP4134-3AB00-2AY0, UPS1100 1.2 Ah 6EP4131-0GB00-0AY0. New: SITOP PSU6200 24 V/10 A DC 6EP3334-7SB00-3AX0 x 2, RED1200 20 A 6EP4346-7RB00-0AX0, SEL1400 8 x 10 A 6EP4438-7EB00-3DX0, UPS1600 10 A 6EP4134-3AB00-2AY0, UPS1100 1.2 Ah 6EP4131-0GB00-0AY0.

<sup>3)</sup> Only PSU6200, RED1200, SEL1200, SEL1400.



Power supplies SITOP PSU620										Diagnostic function	Compact	Push-In	Energy efficient	
Single-phase 120–230 V AC (Input)														
Output	12 V/2 A	24 V/1.3 A	24 V/2.5 A	12 V/7 A	24 V/5 A	24 V/3.7 A	24 V/10 A	12 V/12 A	48 V/5 A	24 V/20 A				
Article No.	6EP3321-7SB00-0AX0	6EP3331-7SB00-0AX0	6EP3332-7SB00-0AX0	6EP3323-7SB00-0AX0	6EP3333-7SB00-0AX0	6EP3333-7LB00-0AX0	6EP3334-7SB00-3AX0	6EP3324-7SB00-3AX0	6EP3344-7SB00-3AX0	6EP3336-7SB00-3AX0				
Rated input voltage	85 – 264 V AC/110 – 275 V DC			85 – 264 V AC/99 – 275 V DC			85 – 264 V AC/85 – 275 V DC							
Rated output voltage	12 V DC	24 V DC		12 V DC	24 V DC			12 V DC	48 V DC	24 V DC				
Rated output current, Extra Power for 5 s/min	2 A	1.3 A	2.5 A	7 A	5 A	3.7 A	10 A	12 A	5 A	20 A				
Efficiency	83.3%	86.3%	89%	87.1%	90.2%	89.3%	92.8%	89.3%	93.9%	95.5%				
Signaling contact	–			DC OK			DC OK / <b>Diagnostics interface</b>							
Dimensions in mm (W x H x D)	25x100x88		40x100x88	35x135x125			45x135x125				70x135x155			
Three-phase 400–500 V 3AC (Input)														
Output	24 V/5 A			24 V/10 A			24 V/20 A							
Article No.	6EP3433-7SB00-0AX0			6EP3434-7SB00-3AX			6EP3436-7SB00-3AX0							
Rated input voltage	323 – 576 V 3AC													
Rated output voltage	24 V DC													
Rated output current, Extra Power for 5 s/min	5 A			10 A			20 A							
Efficiency	91.2%			95.5%			95.9%							
Signaling contact	DC OK			DC OK / <b>Diagnostics interface</b>										
Dimensions in mm (W x H x D)	35x135x125			45x135x155				70x135x155						

Redundancy modules SITOP RED1200		Robust	Compact	Push-In
Article No.	6EP4438-7FB00-3DX0	6EP4438-7EB00-3DX0		
Rated input voltage range	10 – 58 V DC			
Rated output current	max. 20 A (Power supply units: 2 x 10 A or 1 x 20 A)		max. 40 A (PSUs 2 x 20 A or 1 x 40 A)	
Dimensions in mm (W x H x D)	35x135x125		45x135x125	

Selectivity modules SITOP SEL1200, SEL1400							Diagnostic function	Compact	Push-In
Product name	SITOP SEL1200			SITOP SEL1400					
Article No.	6EP4437-7FB00-3CX0	6EP4437-7FB00-3DX0	6EP4438-7FB00-3DX0	6EP4437-7EB00-3CX0	6EP4437-7EB00-3DX0	6EP4438-7EB00-3DX0			
Rated input voltage/range	24 V DC/20.4 – 30 V DC								
Outputs, rated current	4 x 10 A		8 x 5 A	8 x 10 A	4 x 10 A	8 x 5 A	8 x 10 A		
Setting range	2 – 10 A		1 – 5 A	2 – 10 A	2 – 10 A	1 – 5 A	2 – 10 A		
Switch-off characteristic	Switching for standard protection				Current limiting for increased safeguarding				
Signaling	3-color status LED each output, <b>Diagnostics interface</b>								
Dimensions in mm (W x H x D)	45 x 135 x 125								

Uninterruptible DC power supply SITOP UPS1600/UPS1100				Diagnostic function	Compact	
□: 1 = w/o interface, 2 = with USB, 3 = with Ethernet/PROFINET						
DC UPS module	UPS1600 24 V/10 A		UPS1600 24 V/20 A		UPS1600 24 V/40 A	
Article No.	6EP4134-3AB00-□AY0		6EP4136-3AB00-□AY0		6EP4137-3AB00-□AY0	
Rated input voltage/range	24 V DC/22 – 29 V DC					
Rated output voltage/current	24 V/10 A		24 V/20 A		24 V/40 A	
Dimensions in mm (W x H x D)	50x125x125		50x125x125		70x125x150	
Battery module	UPS1100 24 V/ 1.2 Ah	UPS1100 24 V/ 3.2 Ah	UPS1100 24 V/ 7 Ah	UPS1100 24 V/ 12 Ah	UPS1100 for high temperatures 24 V/ 2.5 Ah	UPS1100 Lithium 24 V/ 5 Ah
Article No.	6EP4131-0GB00-0AY0	6EP4133-0GB00-0AY0	6EP4134-0GB00-0AY0	6EP4135-0GB00-0AY0	6EP4132-0GB00-0AY0	6EP4133-0JB00-0AY0
Dimensions in mm (W x H x D)	89x130x107	190x169x80	186x186x110	253x186x110	265x115x76	189x186x112.7
Buffer time <sup>1)</sup>						
Load current 1 A	27 min	2 h	5 h	8 h 30 min	1 h 30 min	4 h
Load current 2 A	14 min	1 h	2 h 40 min	4 h 30 min	50 min	2 h 10 min
Load current 4 A	7 min 50 s	34 min	1 h 20 min	2 h 30 min	26 min	1 h 10 min
Load current 10 A	1 min 30 s	9 min 30 s	21 min	42 min	6 min 40 s	26 min

<sup>1)</sup> Buffer time determination is based on the discharging time of new and completely charged battery modules with a minimum battery temperature of +25 °C until DC UPS (19 V) turns off

Additional information on SITOP: [siemens.com/sitop/manuals](https://www.siemens.com/sitop/manuals) • TIA Selection Tool: [siemens.com/tst-powersupply](https://www.siemens.com/tst-powersupply) • Products and contact: [siemens.com/sitop](https://www.siemens.com/sitop)

Published by  
Siemens AG  
  
Digital Industries  
Process Automation  
Östliche Rheinbrückenstr. 50  
76187 Karlsruhe, Germany

For the U.S. published by  
Siemens Industry Inc.  
  
100 Technology Drive  
Alpharetta, GA 30005  
United States

Article No: DIPA-T10120-01-7600  
Dispo 10001  
FL 12200.0  
© Siemens 2020

Subject to changes and errors. The information provided in this brochure contains descriptions or performance characteristics which, in case of actual use, do not always apply as described or which may change as a result of further development of the products. The desired performance characteristics are only binding if expressly agreed in the contract. Availability and technical specifications are subject to change without notice.

All product designations may be trademarks or product names of Siemens AG or supplier companies, the use of which by third parties for their own purposes may violate the rights of the owners.